



Count on it.

Parts Catalog

**Groundsmaster® 3200
All-Wheel Drive Traction Unit**

Model No. 31901—Serial No. 407970000 and Up



Ordering Replacement Parts

To order replacement parts, please supply the part number, the quantity, and the description of each part desired.

Understanding Reference Numbers

Each identified part in an illustration has a reference number. The reference number for a part also appears in the parts list, along with other information about the part.

This catalog uses two special reference number formats, one to indicate parts in a service assembly and another to indicate the quantity of a given part in an illustration.

Service Assembly Reference Numbers

Parts in service assemblies have reference numbers in the form a:b. The a represents the reference number of the entire service assembly and the b represents a sequential number unique to each part within the service assembly.

For example, a wheel assembly might be identified by reference number 6, the tire by 6:1, the valve by 6:2, and the wheel by 6:3. When you order the assembly identified by reference number 6, you receive all parts identified by reference numbers 6:1, 6:2, and 6:3. However, you may also order any part individually. Reference numbers of this type appear in illustration and in parts lists.

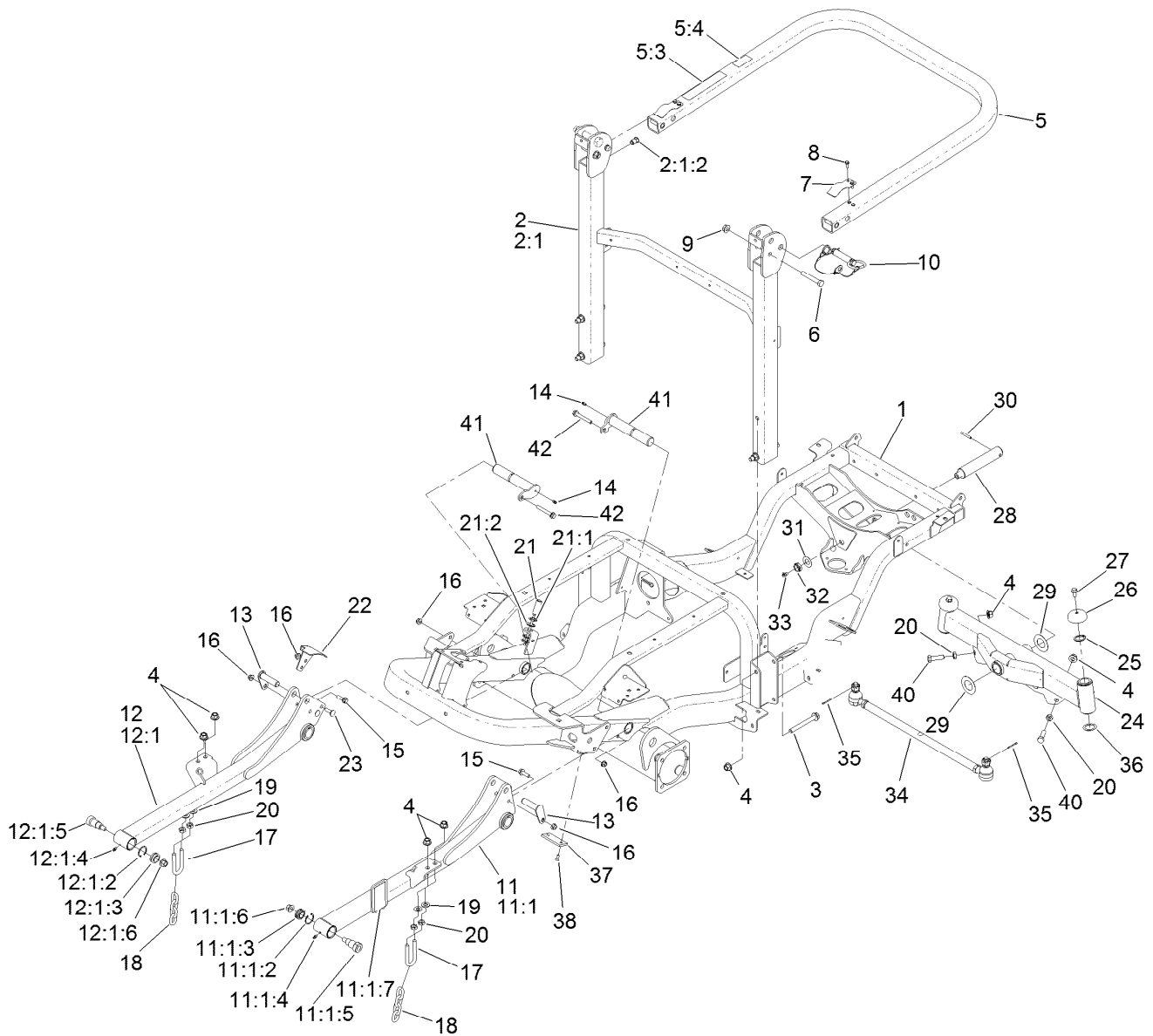
Reference Numbers Indicating Quantity

In an illustration, if a reference number indicates more than one part, the reference number has the form nX y. The n represents the quantity of the part, the X is the multiplication symbol, and the y represents the reference number.

For example, in an illustration, the reference number 2X 37 means that two of the parts identified by reference number 37 are indicated.

Contents

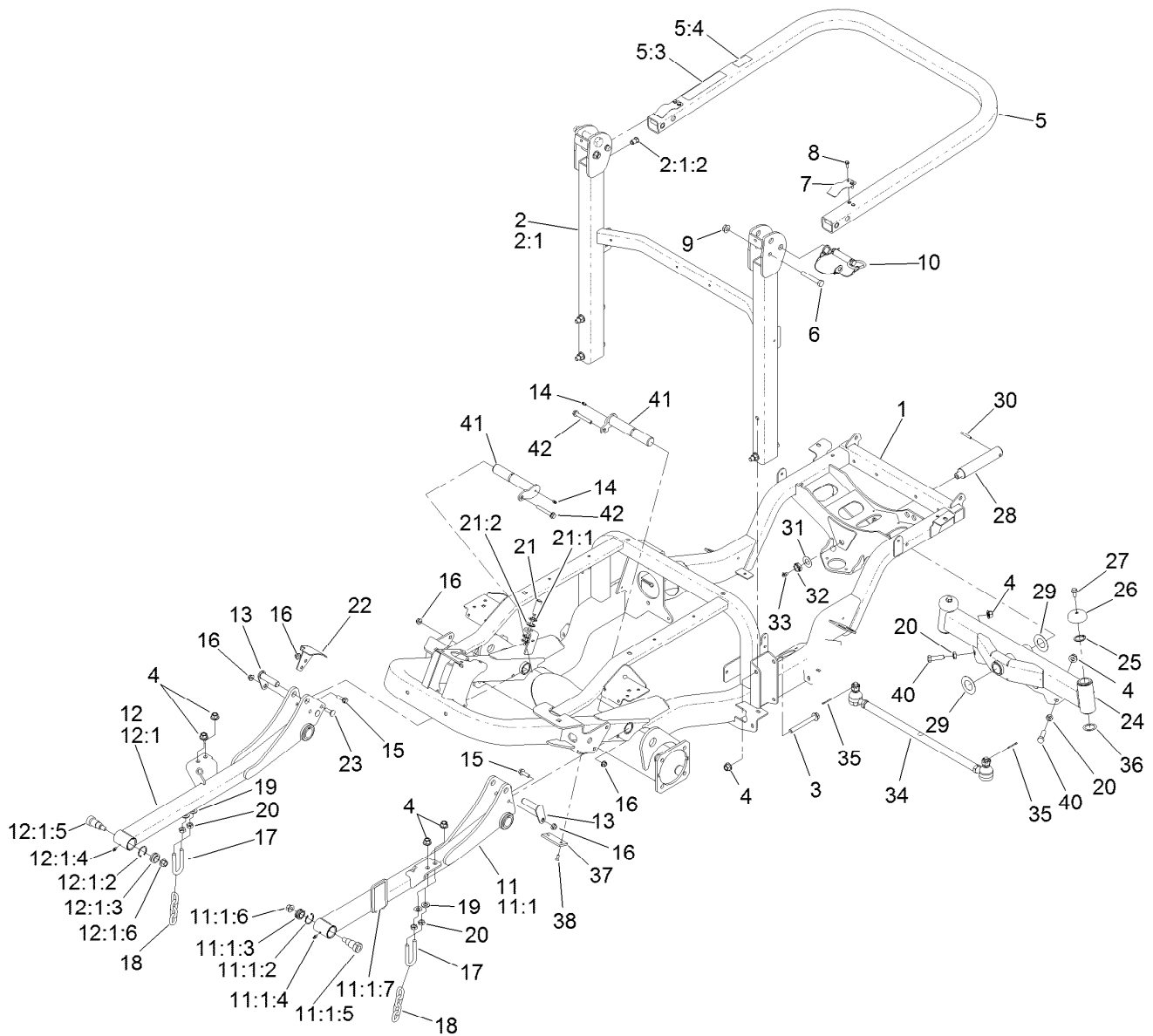
Frame and Roll-Over Protection System Assembly	4
Tie Rod Assembly No. 133-6462	6
Bumper and Weight Assembly	7
Front Axle and Parking Brake Assembly	8
Left Hand Brake Assembly No. 120-0235	9
Right Hand Brake Assembly No. 120-0233	10
Hydraulic Drive Assembly	11
Hydraulic Motor Assembly No. 138-0436	12
Hydraulic Motor Assembly No. 138-0435	13
Hydraulic Motor Assembly No. 137-2459	14
Hydraulic Motor Assembly No. 137-2479	15
Steer/Lift Manifold Assembly No. 138-4489	16
Engine, Air Cleaner and Exhaust Assembly	18
Air Cleaner Assembly No. 93-2190	20
Radiator and Cooler Assembly	21
Fuel and Hydraulic Tank Assembly	22
Fuel Tank Assembly No. 138-0291	24
Hydraulic Tank Assembly No. 138-4418	25
Platform, Steering and Console Assembly	26
Steering Column Assembly No. 139-0857	27
Traction Pedal Assembly	28
Control Console Assembly	29
Hood Assembly	30
Hydraulic PTO Assembly	31
Variable Piston Pump Assembly No. 138-0305	33
Hydraulic Assembly	35
Gear Pump Assembly No. 138-0321	38
Steering Valve Assembly No. 114-8119	39
Traction Hydraulic Assembly	40
Electrical Assembly	41
Wire Harness Assembly No. 122-1657	42
Cylinder Block Assembly	44
Gear Housing Assembly	46
Mounting Flange and Oil Sump Assembly	48
Cylinder Head and Cover Assembly	50
Exhaust Manifold Assembly	52
Camshaft and Driving Gear Assembly	54
Crankshaft and Piston Assembly	56
Lubrication and Oil System Assembly	58
Cooling Water System Assembly	60
Fuel Injection Pump Assembly	62
Governor Assembly	64
Fuel Injection Valve Assembly	66
Fuel Pipe Assembly	68
Starter Motor Assembly	70
Generator Assembly	72
Accessory Assembly	74
Gasket Set	76
Attachments and Accessories	78



Frame and Roll-Over Protection System Assembly

Ref.	Part Number	Qty.	Description	Ref.	Part Number	Qty.	Description
1	133-6450SP	1	Frame ASM	11:1:4	302-5	1	Fitting-Grease
2	139-6254SP	1	ROPS ASM, Lower	11:1:5	139-0910	1	Bolt-Shoulder
2:1		1	ROPS ASM, Lower ●	11:1:6	99-5107	1	Nut-Lock
2:1:2	138-2760	4	Nut-Clinch, Hex	11:1:7	139-0948	1	Pad-Ride, Pin
3	117-3176	4	Screw-HHF	12	138-7429SP	1	RH Lift Arm ASM
4	99-5107	10	Nut-Lock	12:1		1	RH Lift Arm ASM ●
5	138-7470	1	ROPS ASM, Upper	12:1:2	32151-34	1	Ring-Retaining
5:3	108-2073	1	Decal-Warning	12:1:3	105-7441	1	Bearing-Spherical
5:4	139-6244	1	Decal-ROPS Compliance	12:1:4	302-5	1	Fitting-Grease
6	325-13	2	Screw-HH	12:1:5	139-0910	1	Bolt-Shoulder
7	110-5696	2	Spring-Leaf	12:1:6	99-5107	1	Nut-Lock
8	32105-15	4	Screw-HWH	13	138-7489	2	Pin (Machined)
9	32128-23	2	Nut-HF	14	302-5	2	Fitting-Grease
10	103-4553	2	Pin-Fold, ROPS	15	119-4061	2	Screw-HHF
11	138-7419SP	1	LH Lift Arm ASM	16	104-8301	6	Nut-HF, NI
11:1		1	LH Lift Arm ASM ●	17	104-0108	2	U-Bolt
11:1:2	32151-34	1	Ring-Retaining	18	95-6231	2	Chain-HOC
11:1:3	105-7441	1	Bearing-Spherical	19	3256-26	4	Washer-Flat

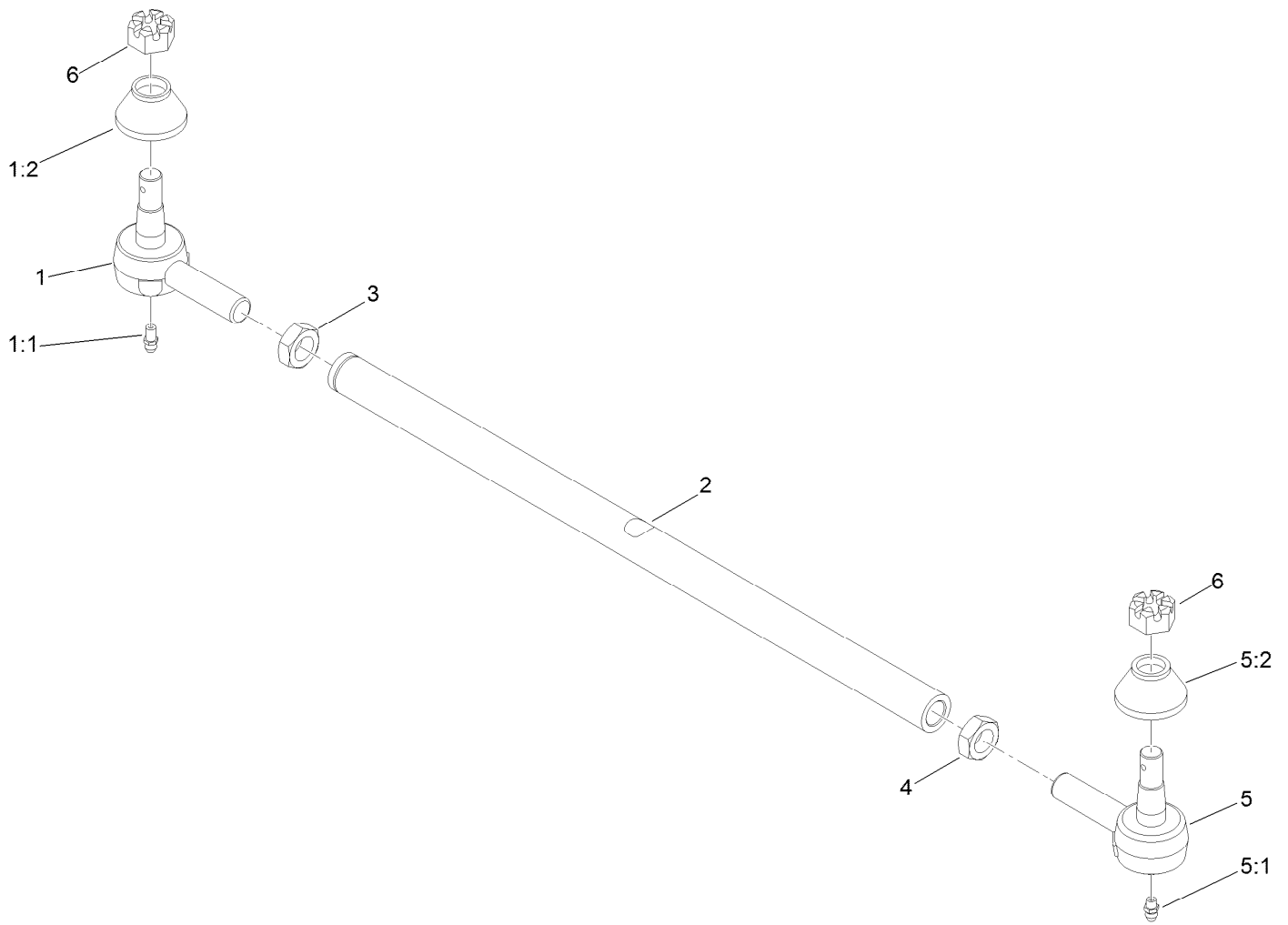
● Not serviced separately



Frame and Roll-Over Protection System Assembly (continued)

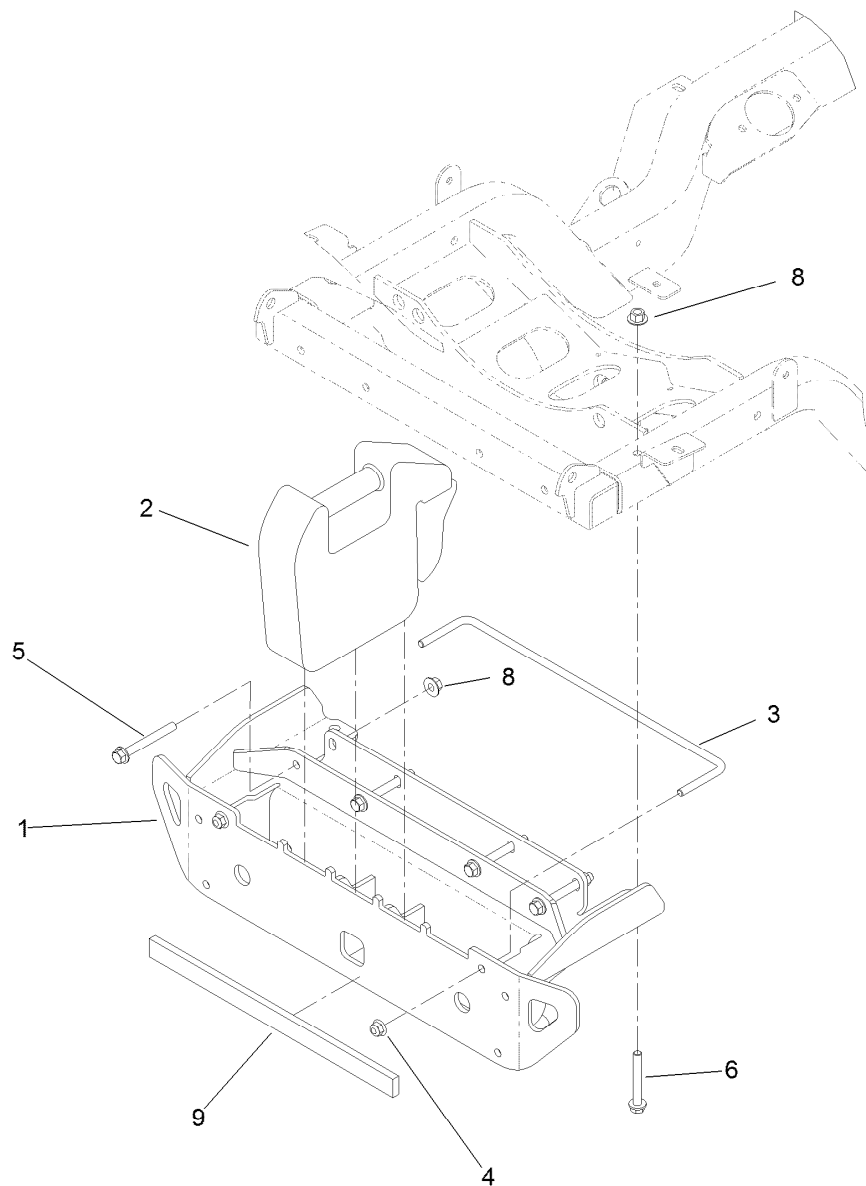
Ref.	Part Number	Qty.	Description	Ref.	Part Number	Qty.	Description
20	3218-5	6	Nut-Jam	30	32121-32	1	Pin-Roll
21	115-5300	1	Proximity Switch ASM	31	71-4540	1	Washer-Thrust
21:1	117-3207	2	Nut-Hex	32	3296-15	1	Nut-Lock, NI
21:2	117-3208	2	Washer-Lock, Internal Tooth	33	302-33	1	Fitting-Grease
22	139-6170-0P	1	Bracket-Sensor Mount	34	133-6462	1	Tie Rod ASM
23	3231-2	2	Bolt-CARR	35	3272-12	2	Pin-Cotter
24	138-4588	1	Axle ASM	36	76-2980	2	Washer-Thrust
25	32151-77	2	Ring-Retaining, External	37	138-4452	2	Pad-Stop, Deck
26	69-8890	2	Cap-Spindle	38	3289-4	4	Screw-FH
27	3234-1	2	Screw-HHF	40	325-7	2	Screw-HH
28	98-8173	1	Pin-Pivot, Axle	41	138-4593	2	Pin
29	99-8432	2	Washer-Thrust	42	133-9682	2	Screw-Hfh

● Not serviced separately



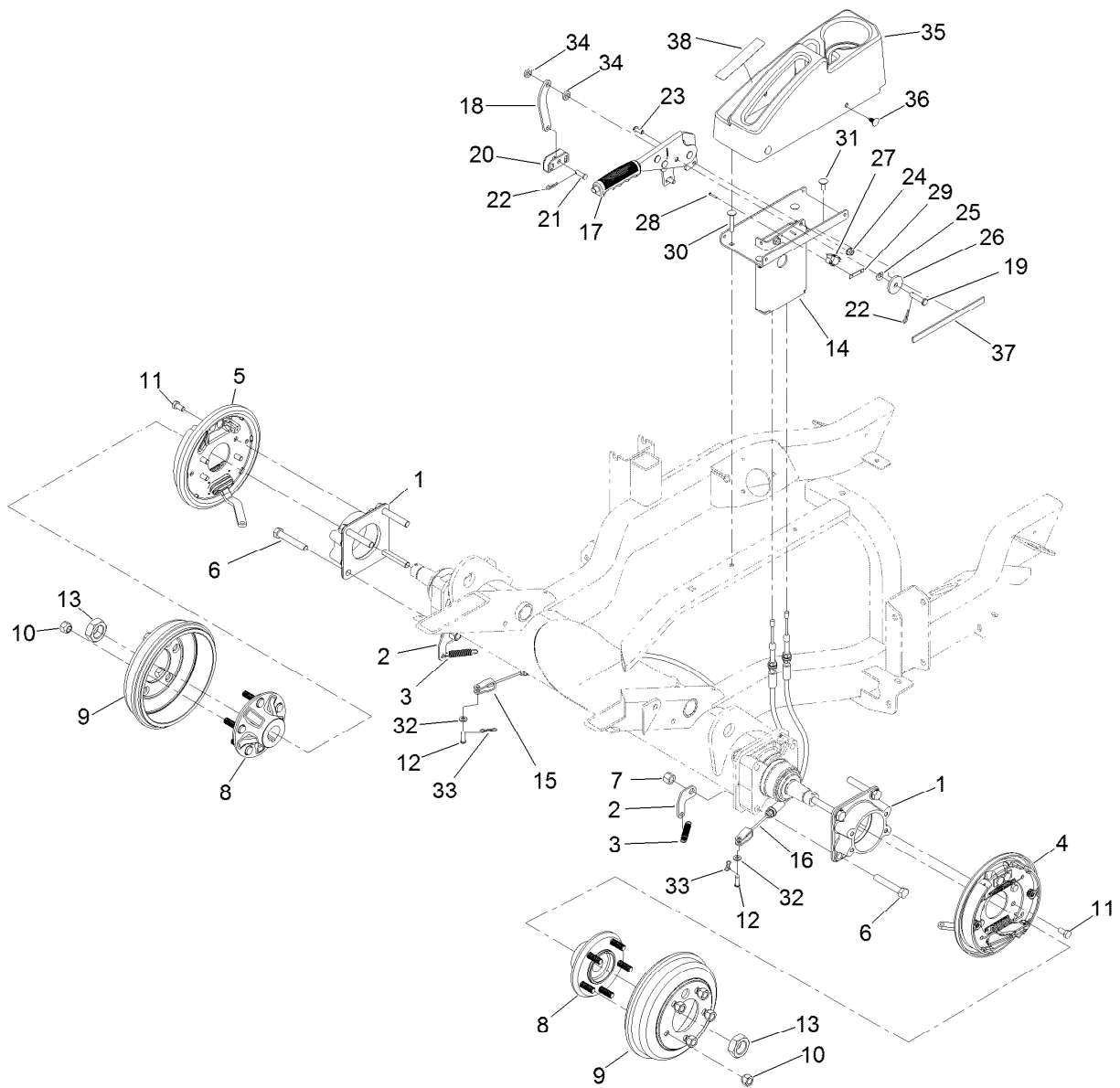
Tie Rod Assembly No. 133-6462

<i>Ref.</i>	<i>Part Number</i>	<i>Qty.</i>	<i>Description</i>
1	139-6199	1	Tie Rod End
1:1	302-5	1	Fitting-Grease
1:2	105-7835	1	Seal
2	133-6463	1	Tie-Rod
3	84-5300	1	Nut-Jam
4	110-5337	1	Nut-Jam
5	139-6200	1	Tie Rod End
5:1	302-5	1	Fitting-Grease
5:2	105-7835	1	Seal
6	140-6135	2	Nut-Hex, Slotted



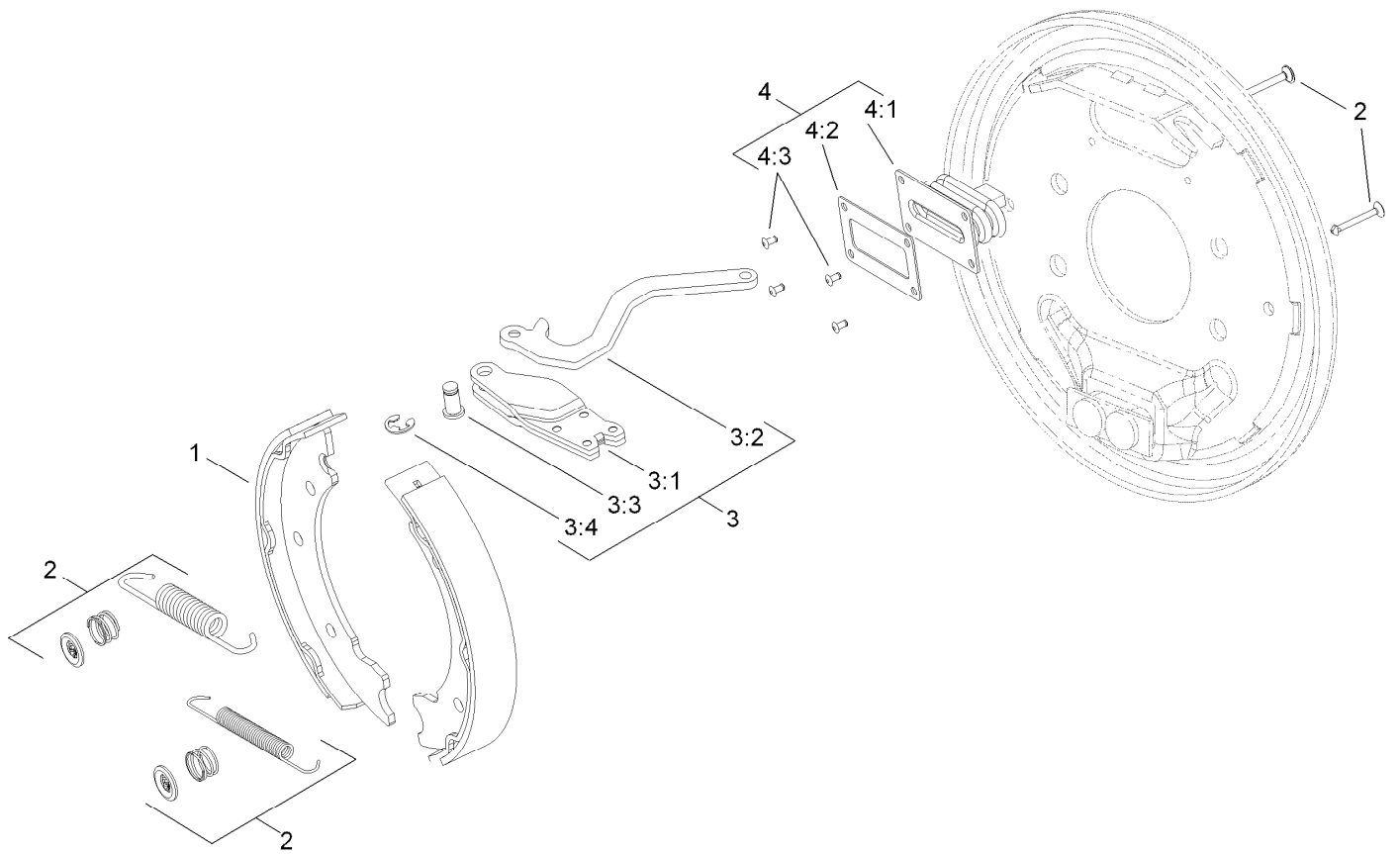
Bumper and Weight Assembly

<i>Ref.</i>	<i>Part Number</i>	<i>Qty.</i>	<i>Description</i>
1	139-2328SP	1	Rear Bumper
2	114-4096	1	Weight
3	125-2667	1	Lock-Weight
4	104-8301	2	Nut-HF, NI
5	3234-41	4	Screw-HHF
6	133-9682	2	Screw-Hfh
8	32128-43	6	Nut-Flange
9	144-0553	1	Strip-Rubber



Front Axle and Parking Brake Assembly

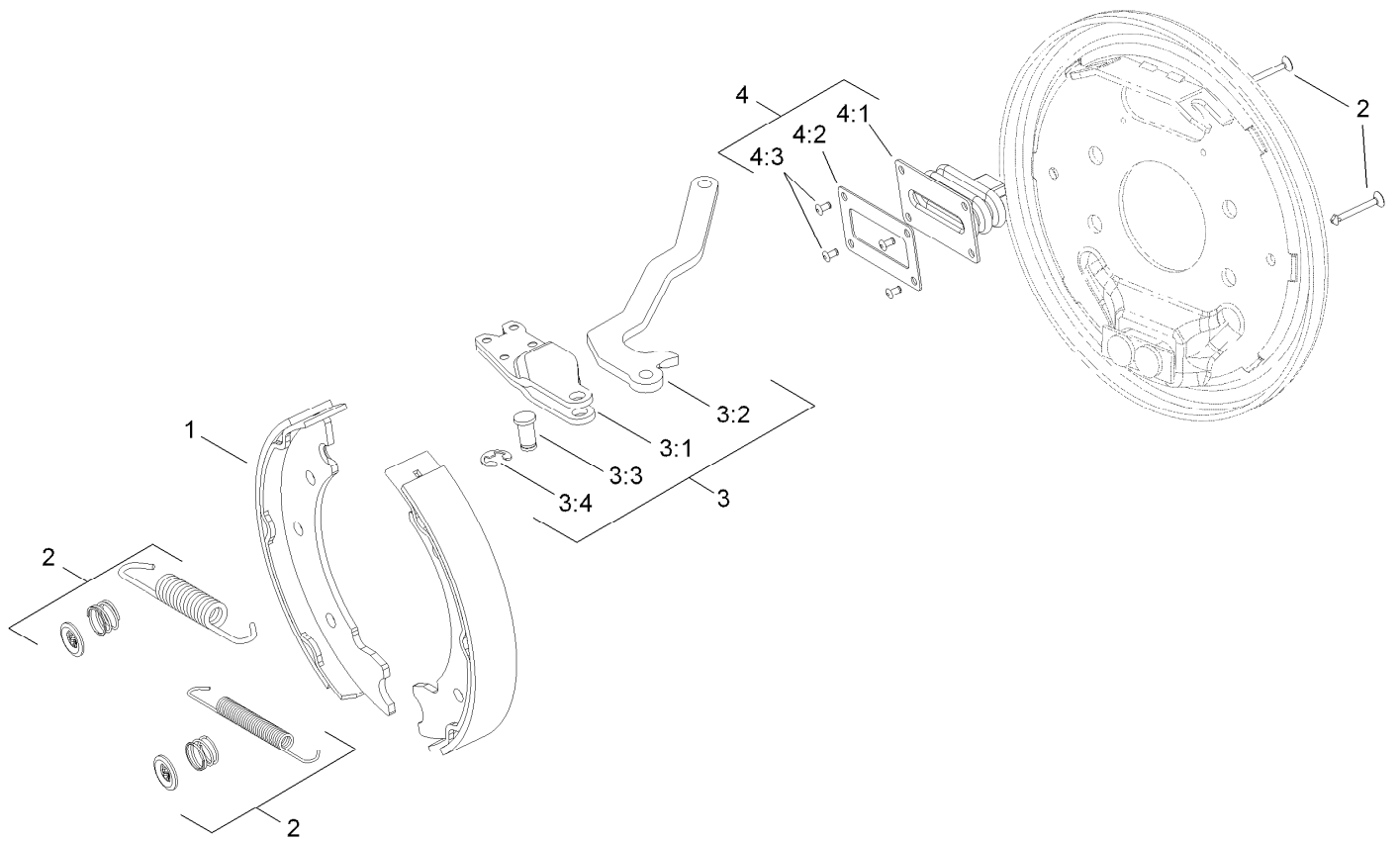
Ref.	Part Number	Qty.	Description	Ref.	Part Number	Qty.	Description
1	120-6253-03	2	Adapter-Brake	20	87-3480	1	Bracket-Equalizer, Cable
2	138-4499	2	Clip-Spring	21	1-808280	1	Pin-Clevis
3	137-2591	2	Spring-Extension	22	1-806003	2	Pin-Cotter
4	120-0235	1	LH Brake ASM	23	3274-55	2	Screw-HSBH
5	120-0233	1	RH Brake ASM	24	104-8300	6	Nut-HF, NI
6	325-12	8	Screw-HH	25	121-4605	1	Washer-Spring
7	3296-23	8	Nut-Lock, NI	26	131-8496	1	Washer-Plain
8	137-2470	2	Hub ASM	27	108-6496	1	Switch (W/Boot)
9	114-8864	2	Drum-Brake	28	3290-313	2	Screw-SPH
10	242-50	10	Nut-Lug	29	3290-354	1	Nut-Speed
11	323-4	8	Screw-HH	30	116-0629	2	Screw-CARR
12	283-58	2	Pin-Clevis	31	3230-23	2	Bolt-CARR
13	107-9319	2	Nut-Hex	32	3256-74	2	Washer-Flat
14	137-2644-03	1	Mount-Brake, Parking	33	119-1415	2	Pin-Cotter, Locking
15	137-2640	1	Cable-Brake, Adjustable RH	34	3-3287	2	Spacer
16	137-2641	1	Cable-Brake, Adjustable LH	35	138-7475	1	Cover-Brake, Parking
17	131-8320	1	Lever-Brake, Park	36	117-2382	4	Plug-Plastic
18	127-8836-03	1	Link-Brake, Park	37	132-7282	2	Strip-Foam
19	283-10	1	Pin-Clevis	38	139-6224	1	Decal-Parking Brake



Left Hand Brake Assembly No. 120-0235

Ref.	Part Number	Qty.	Description
1	139-5950	1	Brake Shoe Kit
2	108-6983	1	Brake Hardware Kit
3	120-0236	1	LH Actuator Kit
3:1		1	Housing ●
3:2		1	Lever-LH ●
3:3		1	Pin-Pivot ●
3:4		1	E-Ring ●
4	110-8885	1	Dust Boot Kit
4:1		1	Boot ●
4:2		1	Plate-Back Up ●
4:3		2	Rivet ●

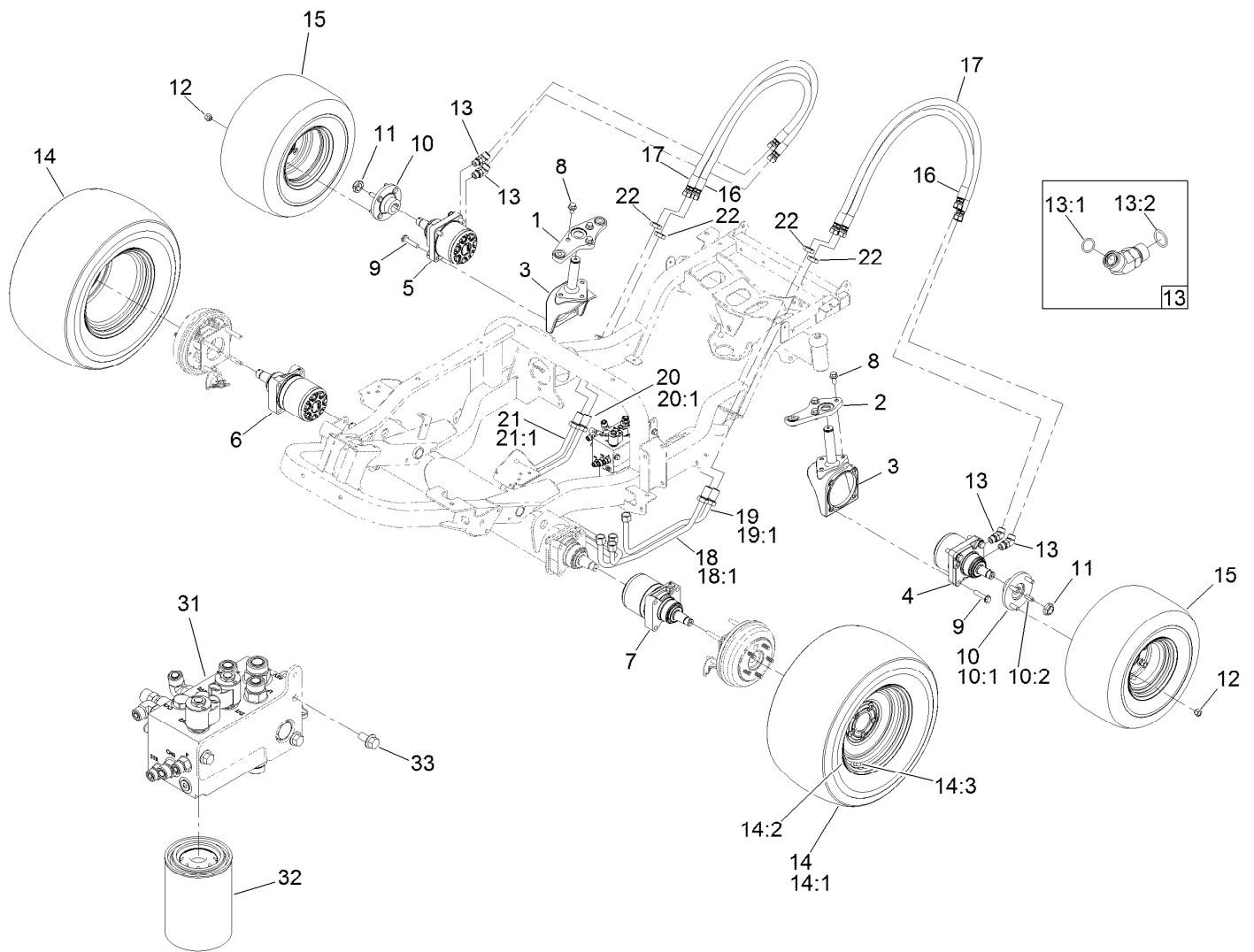
● Not serviced separately



Right Hand Brake Assembly No. 120-0233

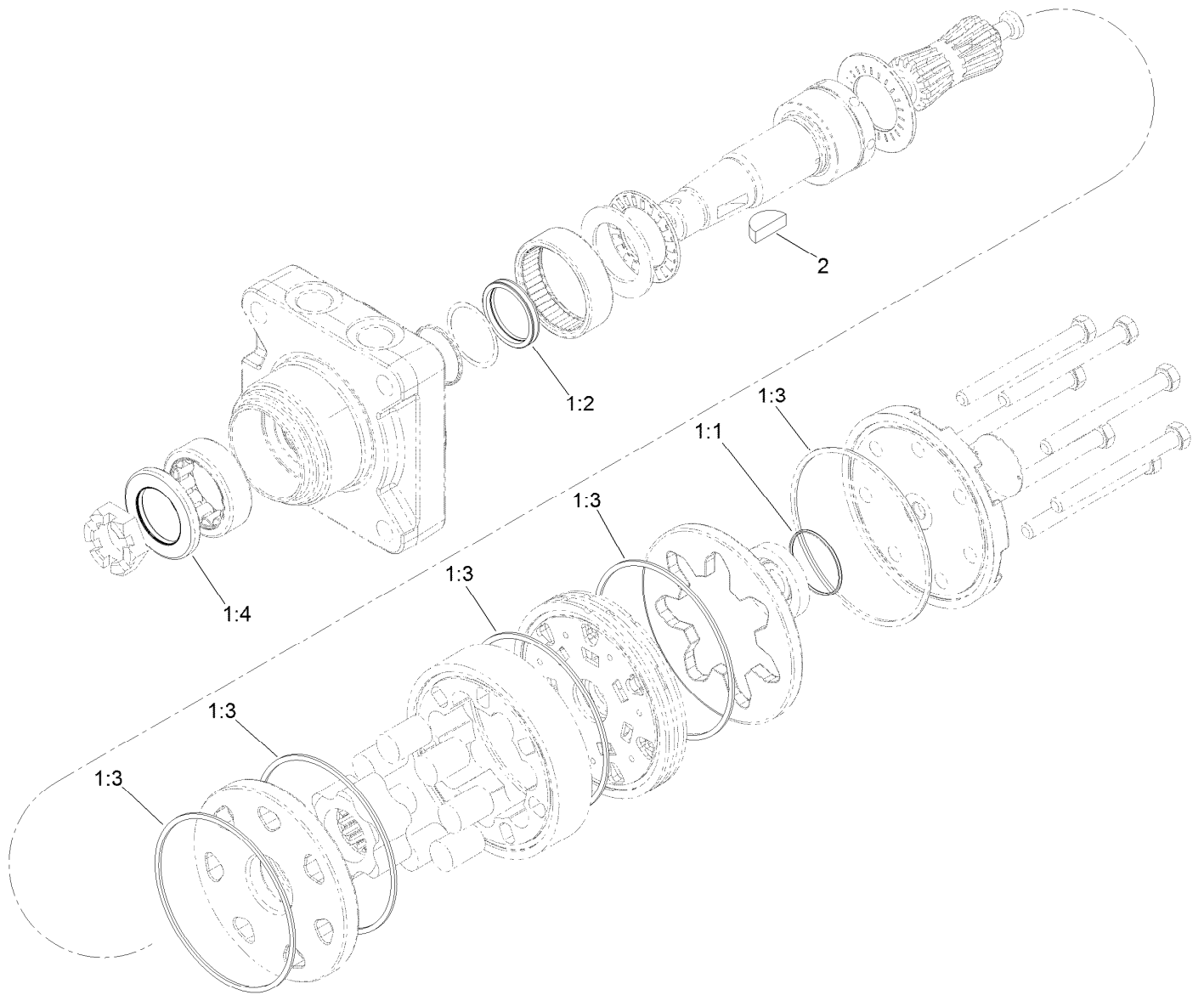
Ref.	Part Number	Qty.	Description
1	139-5950	1	Brake Shoe Kit
2	108-6983	1	Brake Hardware Kit
3	120-0234	1	RH Actuator Kit
3:1		1	Housing ●
3:2		1	Lever-RH ●
3:3		1	Pin-Pivot ●
3:4		1	E-Ring ●
4	110-8885	1	Dust Boot Kit
4:1		1	Boot ●
4:2		1	Plate-Back Up ●
4:3		2	Rivet ●

● Not serviced separately



Hydraulic Drive Assembly

Ref.	Part Number	Qty.	Description	Ref.	Part Number	Qty.	Description
1	140-3142	1	Link-Drag, RH	14:1	137-2595	1	Rim
2	140-3144	1	Link-Drag, LH	14:2	137-2581	1	Tire
3	107-4517-03	2	Housing-Motor	14:3	232-27	1	Stem-Valve
4	138-0435	1	Motor-Hydraulic, CCW	15	137-2592	2	Wheel ASM
5	138-0436	1	Motor-Hydraulic, CW	16	137-5863	2	Hose ASM
6	137-2479	1	Motor-Hydraulic, CW	17	137-5864	2	Hose ASM
7	137-2459	1	Motor-Hydraulic, CCW	18	138-0334	1	Hydraulic Tube ASM
8	3234-6	6	Screw-HHF	18:1	237-65	1	O-Ring
9	3234-46	8	Screw-HHF	19	138-0335	1	Hydraulic Tube ASM
10	18-3209	2	Wheel Hub/Stud ASM	19:1	237-65	1	O-Ring
10:1	10-6870-03	1	Hub-Wheel	20	138-0337	1	Hydraulic Tube ASM
10:2	10-6830	4	Stud-Type, Drive	20:1	237-65	1	O-Ring
11	116-1399	2	Locknut	21	138-0338	1	Hydraulic Tube ASM
12	242-50	8	Nut-Lug	21:1	237-65	1	O-Ring
13	340-14	4	Fitting-HYD, 45 DEG	22	340-74	4	Nut-Lock, Bulkhead
13:1	237-65	1	O-Ring	31	138-4489	1	Manifold-Steering/Lift
13:2	237-80	1	O-Ring	32	86-3010	1	Filter-Oil
14	137-2593	2	Wheel ASM	33	3234-1	3	Screw-HHF

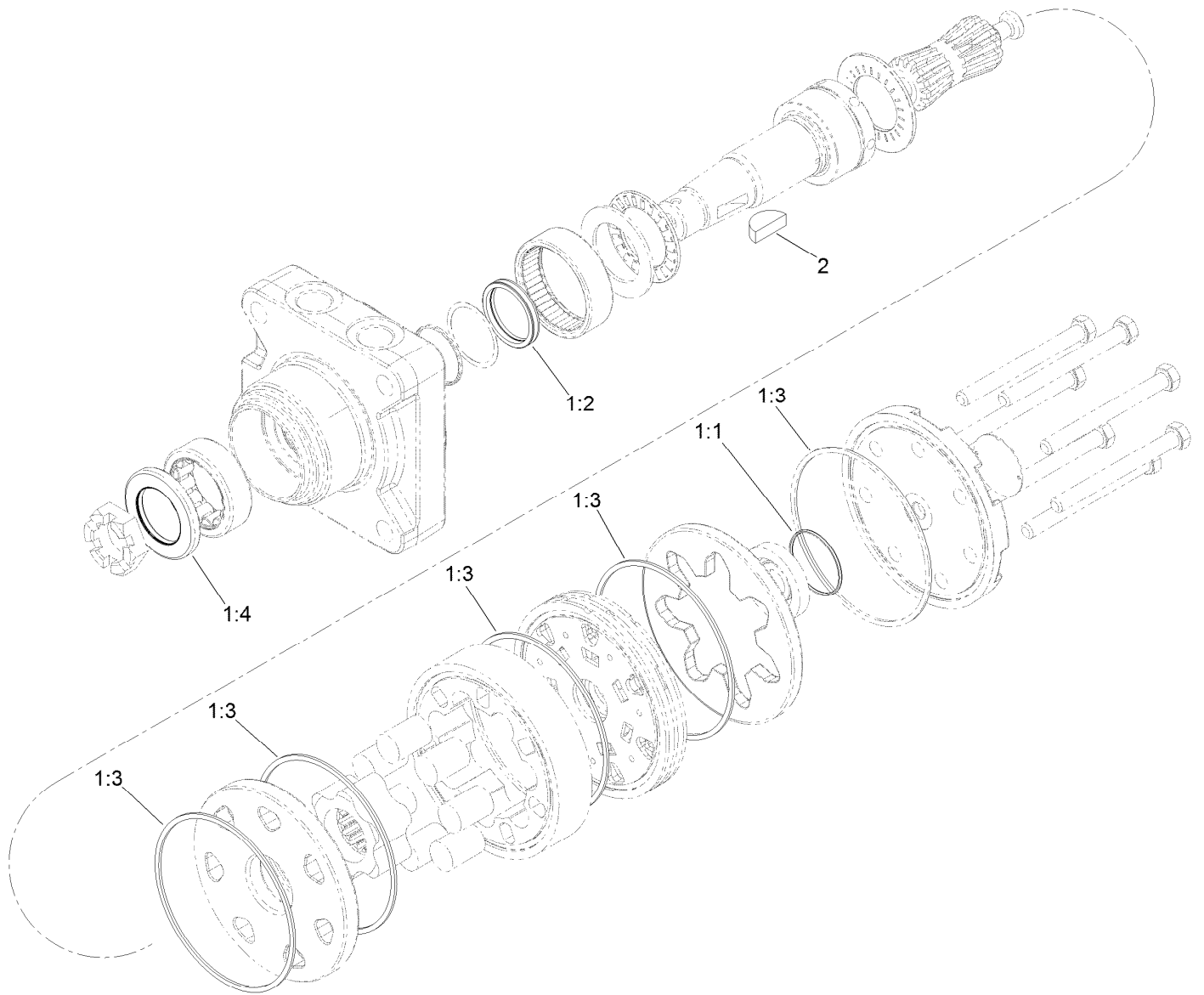


Hydraulic Motor Assembly No. 138-0436

<i>Ref.</i>	<i>Part Number</i>	<i>Qty.</i>	<i>Description</i>
1	110-8897	1	Seal Kit ●
1:1		1	Seal-Commutator, Vespel ■
1:2		1	Seal-Shaft ■
1:3		5	Seal-Body, Buna ■
1:4		1	Seal-Dirt / Water ■
2	3257-42	1	Key-Woodruff

● Not illustrated

■ Not serviced separately

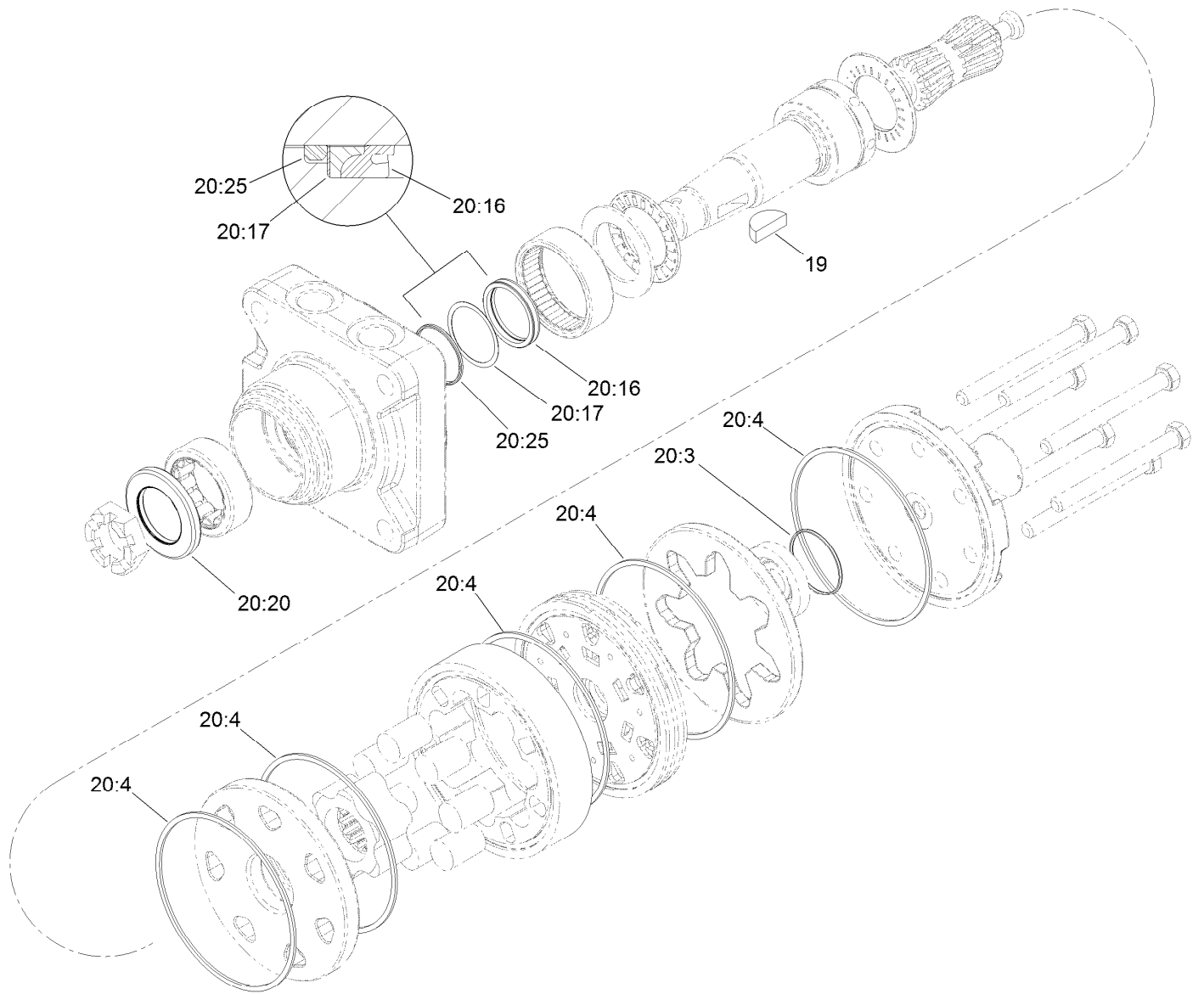


Hydraulic Motor Assembly No. 138-0435

Ref.	Part Number	Qty.	Description
1	110-8897	1	Seal Kit ●
1:1		1	Seal-Commutator, Vespel ■
1:2		1	Seal-Shaft ■
1:3		5	Seal-Body, Buna ■
1:4		1	Seal-Dirt / Water ■
2	3257-42	1	Key-Woodruff

● Not illustrated

■ Not serviced separately

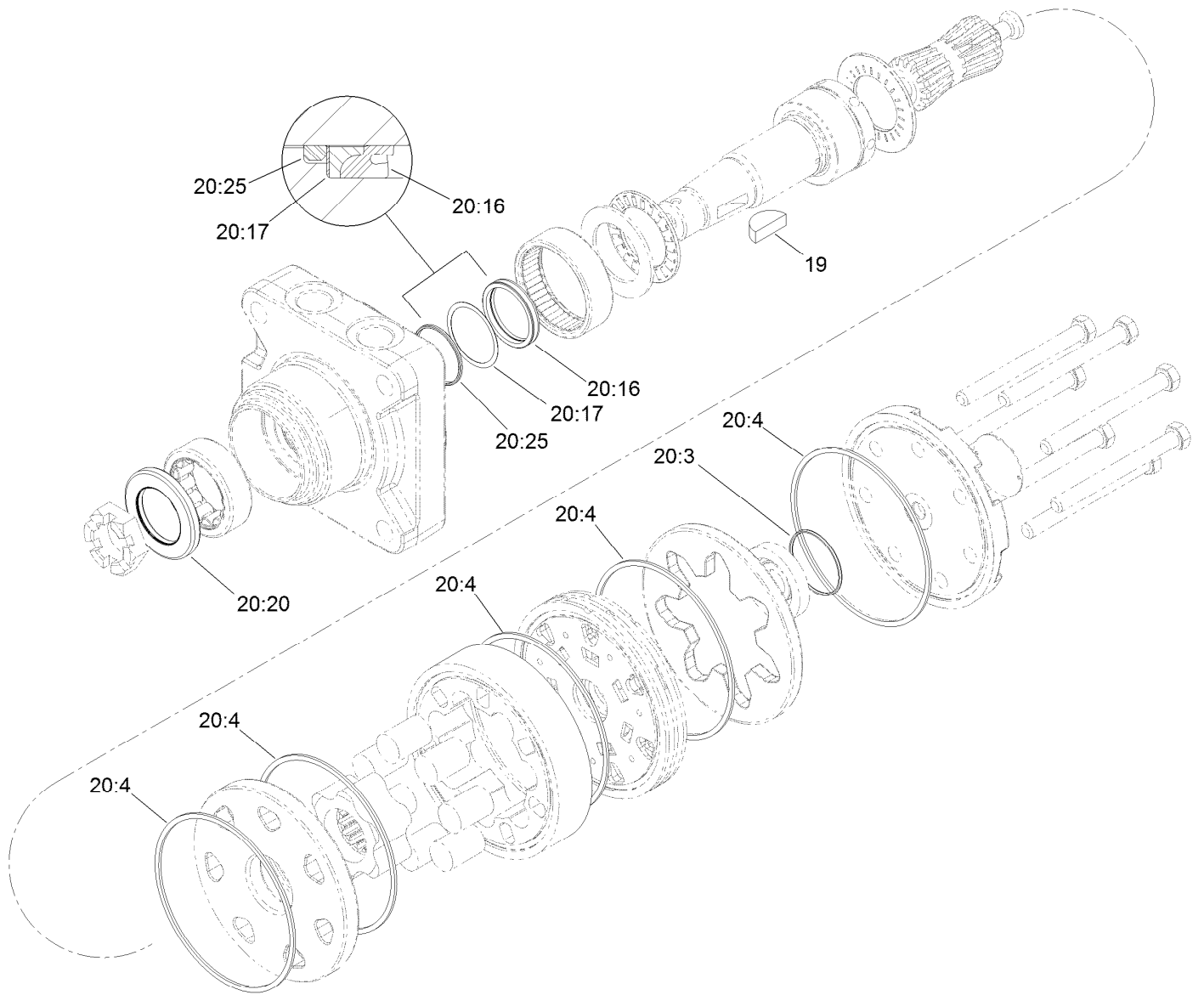


Hydraulic Motor Assembly No. 137-2459

<i>Ref.</i>	<i>Part Number</i>	<i>Qty.</i>	<i>Description</i>
19	3257-42	1	Key-Woodruff
20	110-8896	1	Seal Kit ●
20:3		1	Seal-Commutator, Vespel ■
20:4		6	Seal-Body, Buna ■
20:16		1	Seal-Shaft ■
20:17		1	Washer-Back Up ■
20:20		1	Seal-Dirt/Water ■
20:25		1	Ring-Back Up ■

● Not illustrated

■ Not serviced separately

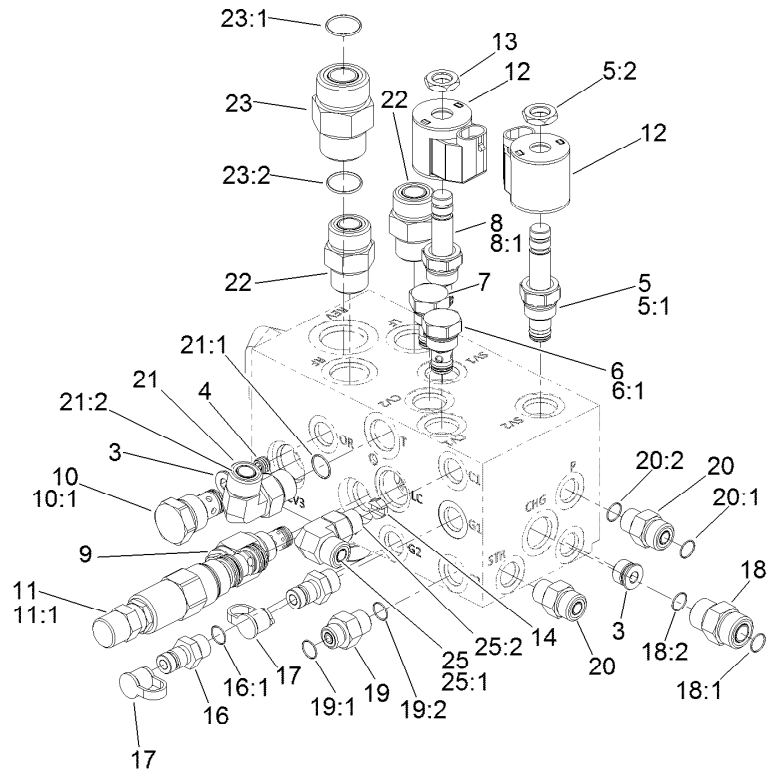
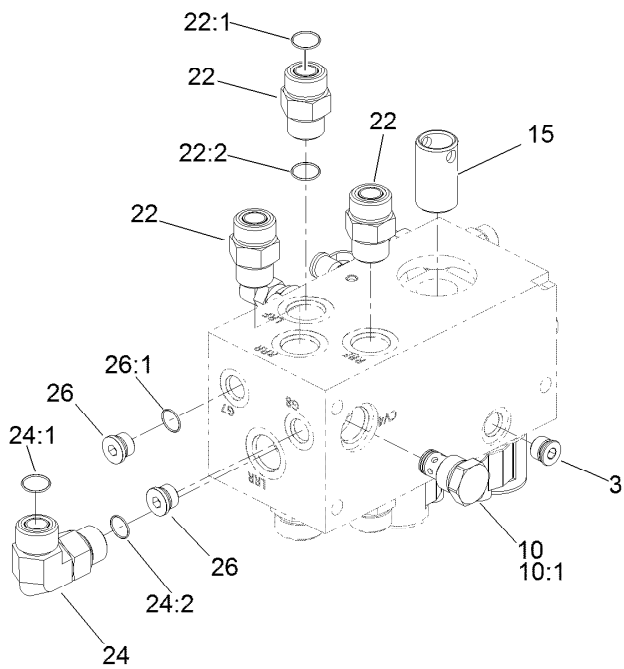


Hydraulic Motor Assembly No. 137-2479

<i>Ref.</i>	<i>Part Number</i>	<i>Qty.</i>	<i>Description</i>
19	3257-42	1	Key-Woodruff
20	110-8896	1	Seal Kit ●
20:3		1	Seal-Commutator, Vespel ■
20:4		6	Seal-Body, Buna ■
20:16		1	Seal-Shaft ■
20:17		1	Washer-Back Up ■
20:20		1	Seal-Dirt/Water ■
20:25		1	Ring-Back Up ■

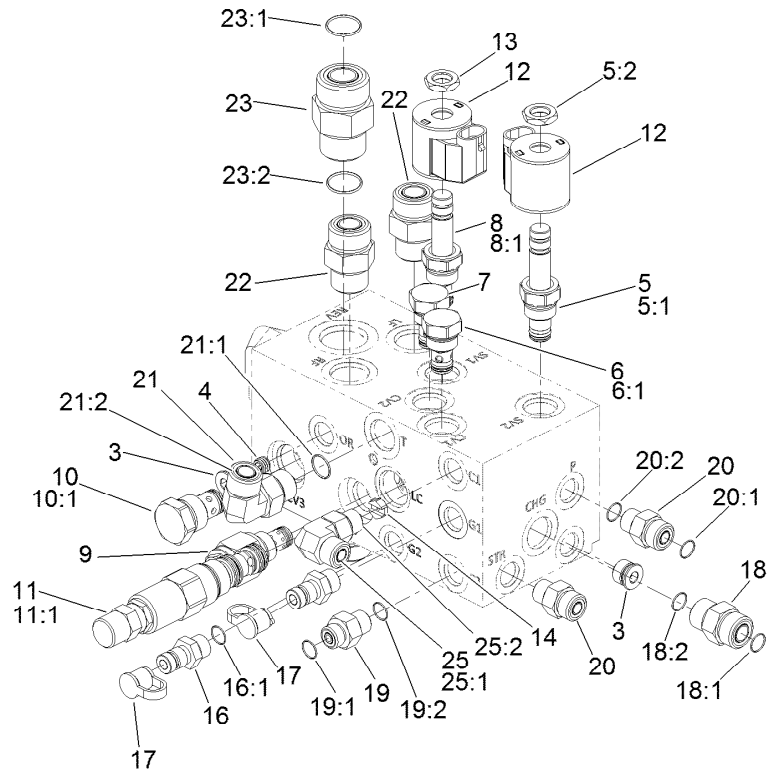
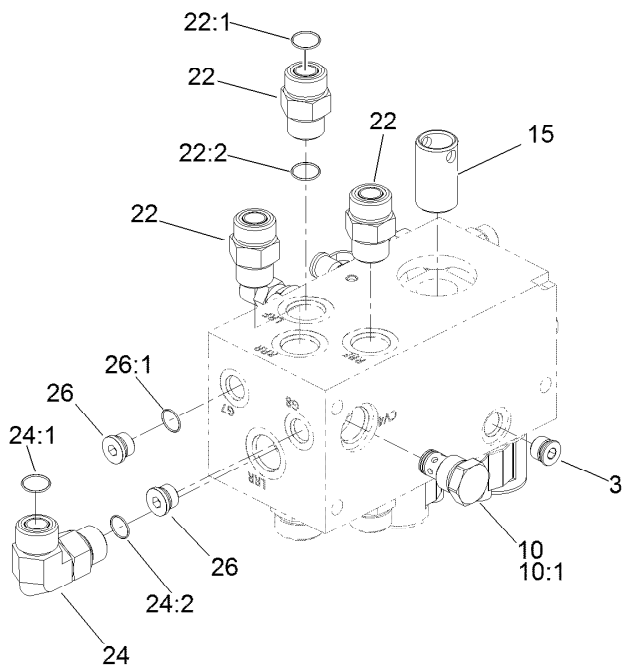
● Not illustrated

■ Not serviced separately



Steer/Lift Manifold Assembly No. 138-4489

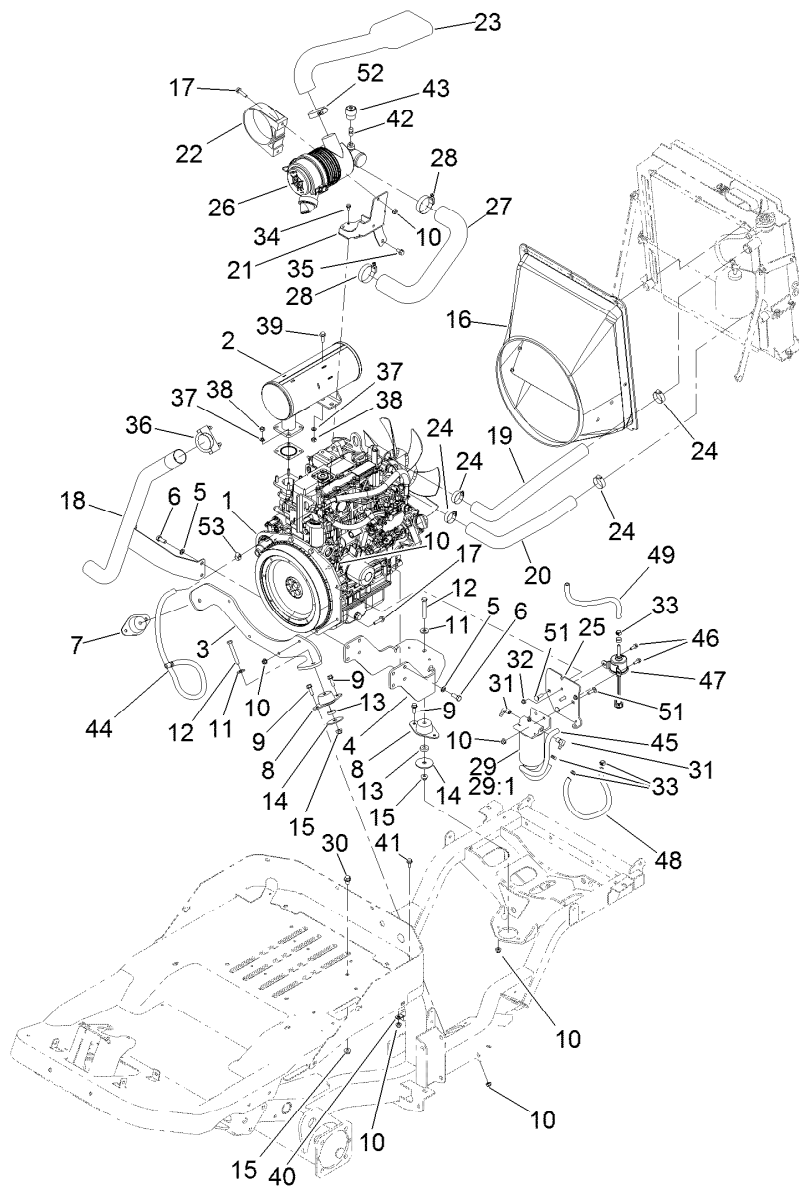
Ref.	Part Number	Qty.	Description	Ref.	Part Number	Qty.	Description
3	112-9213	3	Plug	16:1	237-42	1	O-Ring
4	110-8883	1	Plug-Orifice (0.040)	17	354-79	2	Cap-Dust
5	112-9206	1	Solenoid Valve ASM	18	340-4	1	Fitting-Straight
5:1	105-9156	1	Seal Kit	18:1	237-30	1	O-Ring
5:2	110-2634	1	Nut-Coil	18:2	237-79	1	O-Ring
6	114-2873	1	Check Valve ASM	19	340-1	1	Fitting-Straight
6:1	105-9156	1	Seal Kit	19:1	237-21	1	O-Ring
7	139-1213	1	Valve-Check	19:2	237-42	1	O-Ring
8	120-6562	1	Valve-Solenoid	20	340-2	2	Fitting-Straight
8:1	105-9156	1	Seal Kit	20:1	237-22	1	O-Ring
9	139-6298	1	Valve-Relief (Bi-Directional)	20:2	237-42	1	O-Ring
10	110-8881	2	Valve-Check	21	340-98	1	Fitting-Elbow, 90 DEG
10:1	105-9159	1	Seal Kit	21:1	237-79	1	O-Ring
11	144-0501	1	Valve-Logic, 220 PSI (Adjustable)	21:2	237-30	1	O-Ring
11:1	119-2159	1	Seal Kit	22	340-7	5	Fitting-Straight
12	110-0497	2	Coil-Solenoid	22:1	237-65	1	O-Ring
13	110-2634	2	Nut-Coil	22:2	237-80	1	O-Ring
14	139-6296	1	Orifice-Check 0.100 DIA	23	340-9	1	Fitting-STR
15	139-6297	1	Nipple-Filter	23:1	237-58	1	O-Ring
16	59-7410	2	Fitting-Diagnostic	23:2	237-81	1	O-Ring
				24	340-17	1	Fitting-Elbow, 90 DEG



Steer/Lift Manifold Assembly No. 138-4489 (continued)

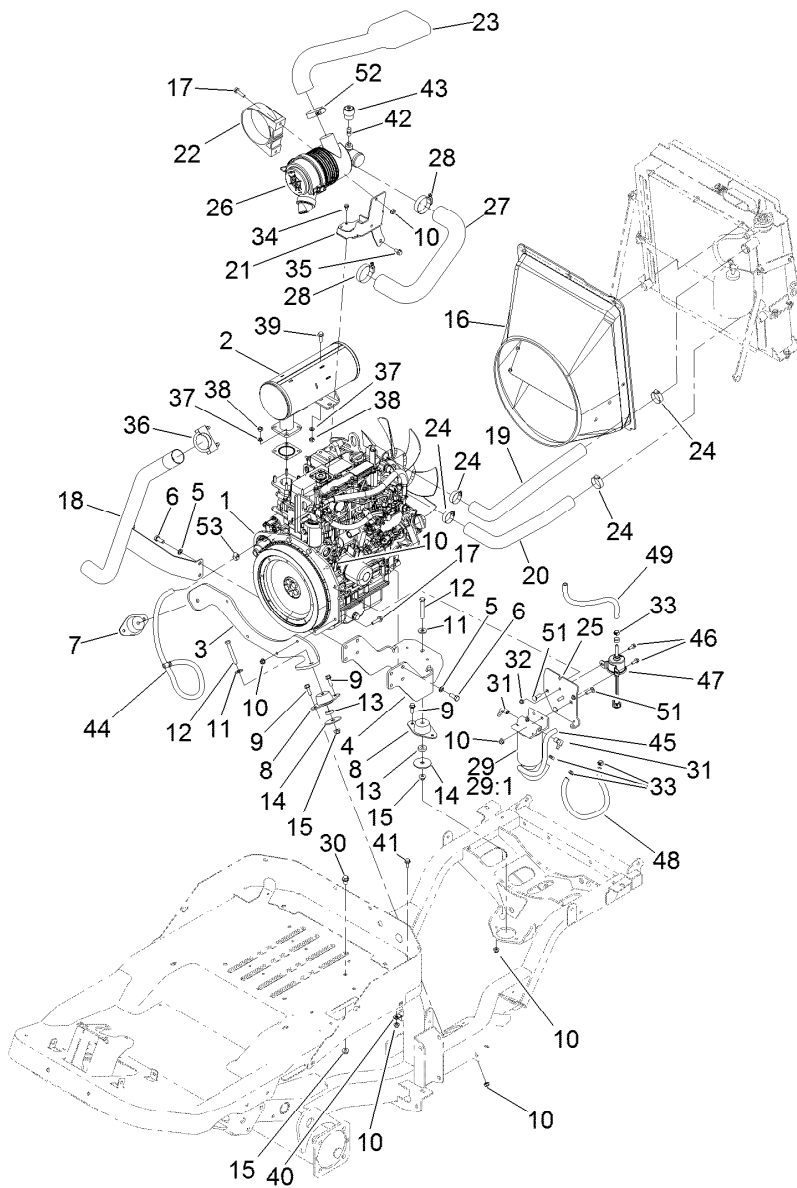
<i>Ref.</i>	<i>Part Number</i>	<i>Qty.</i>	<i>Description</i>
24:1	237-65	1	O-Ring
24:2	237-80	1	O-Ring
25	340-77	1	Fitting-Elbow, 90 DEG
25:1	237-22	1	O-Ring

<i>Ref.</i>	<i>Part Number</i>	<i>Qty.</i>	<i>Description</i>
25:2	237-42	1	O-Ring
26	353-989	2	Plug-Hex, Hollow
26:1	237-42	1	O-Ring



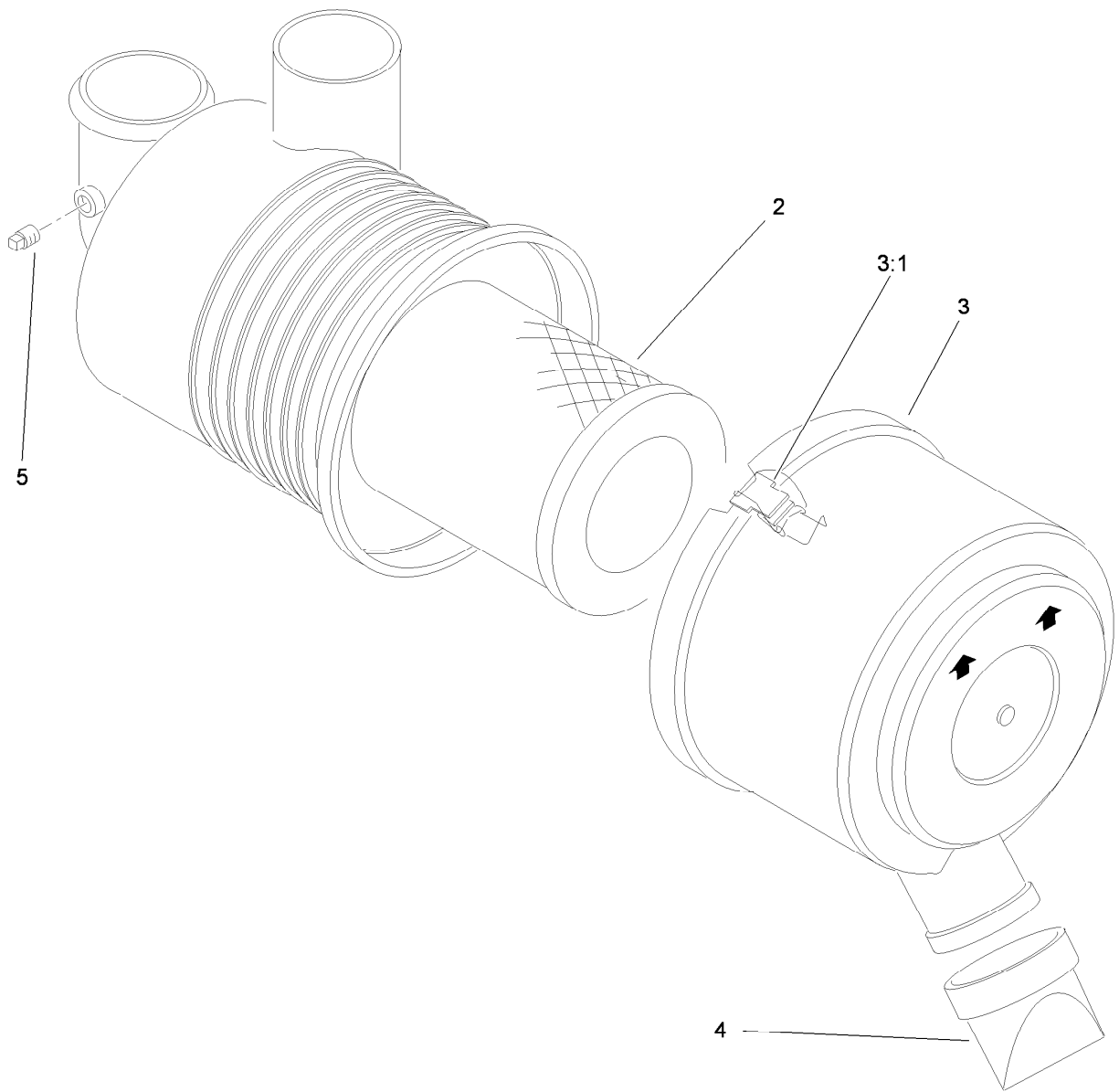
Engine, Air Cleaner and Exhaust Assembly

Ref.	Part Number	Qty.	Description	Ref.	Part Number	Qty.	Description
1	133-6570	1	Engine-Yanmar	20	138-4494	1	Hose-Radiator, Lower
2	137-5882	1	Muffler	21	138-4486-0P	1	Bracket-Air Cleaner [primed]
3	138-4464-0P	1	Mount-Engine, Front [primed]	22	95-5806	1	Bracket-Mounting, Air Cleaner
4	138-0424-0P	1	Mount-Engine, Rear 24HP [primed]	23	138-4460	1	Hose-Intake, Air Cleaner
5	48-9590	8	Washer-Lock	24	2412-34	4	Clamp-Hose
6	33115-025	8	Screw-HH	25	138-4472-0P	1	Angle-Filter Mount
7	139-0856	1	Mount-Engine	26	93-2190	1	Air Cleaner ASM
8	125-5244	2	Mount-Engine	27	137-5881	1	Hose-Intake
9	3234-29	5	Screw-HHF	28	2412-92	2	Clamp-Hose
10	104-8300	16	Nut-HF, NI	29	110-9044	1	Separator-Filter
11	80-6990	3	Washer-Hardened	29:1	110-9049	1	Filter-Spin On, Fuel/Water
12	323-13	3	Screw-HH	30	3234-9	1	Screw-HHF
13	62-6660	3	Spacer	31	353-781	2	Fitting-HYD, 90
14	87-5100	3	Washer-Snubbing	32	104-7201	2	Nut-HF
15	104-8301	4	Nut-HF, NI	33	92-2379	5	Clamp-Hose
16	139-6279	1	Shroud - Fan ASM	34	33103-016	3	Screw-HHF
17	3234-36	6	Screw-HHF	35	33104-016	1	Screw-HHF
18	137-5883	1	Tailpipe	36	18-2130	1	Clamp
19	138-4493	1	Hose-Radiator, Upper	37	3253-4	6	Washer-Lock
				38	33014-00	6	Nut-Hex



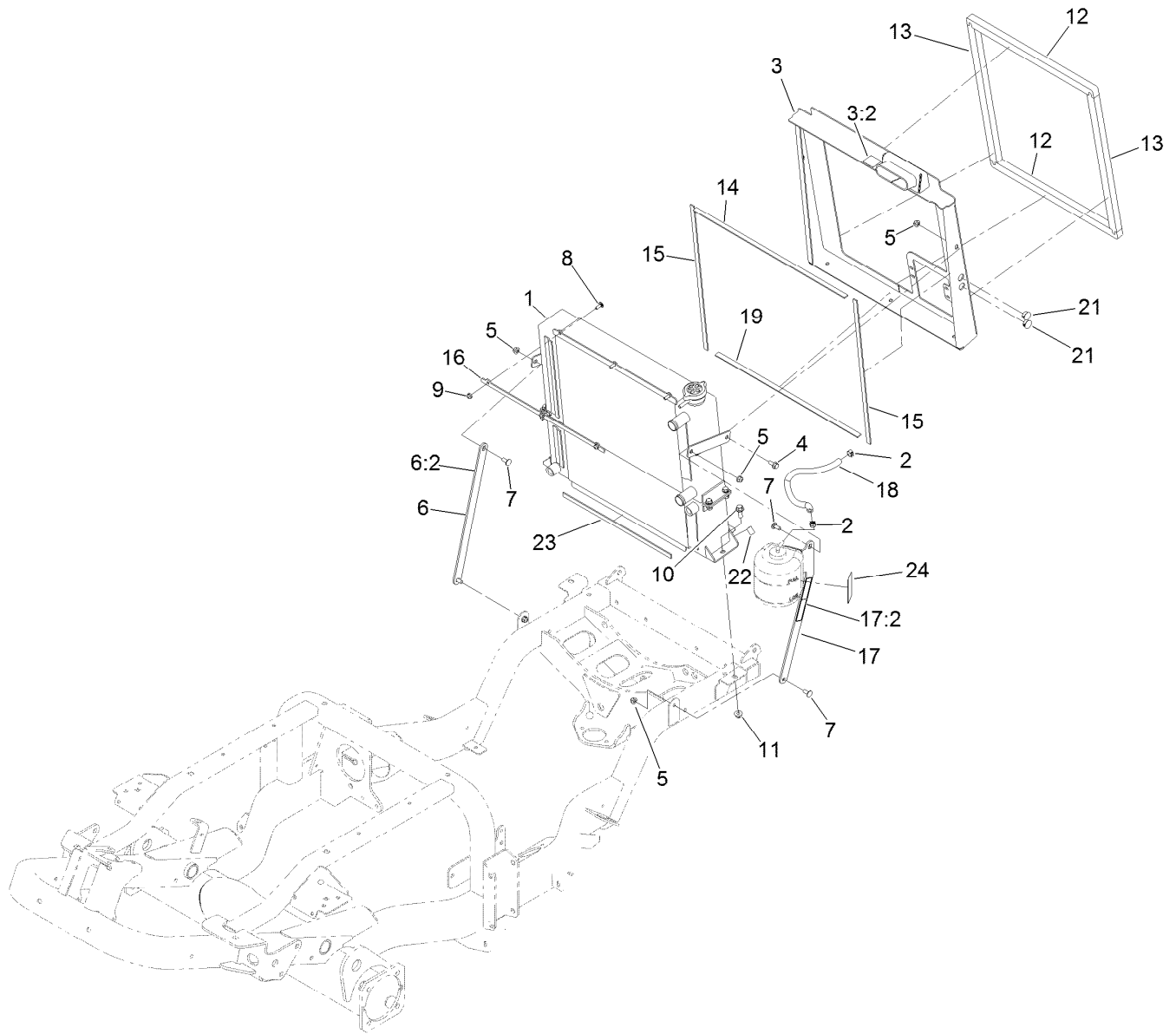
Engine, Air Cleaner and Exhaust Assembly (continued)

<i>Ref.</i>	<i>Part Number</i>	<i>Qty.</i>	<i>Description</i>	<i>Ref.</i>	<i>Part Number</i>	<i>Qty.</i>	<i>Description</i>
39	33104-025	2	Screw-HHF	46	3234-4	2	Screw-HHF
40	120-1959	1	Clamp	47	121-5613	1	Pump-Fuel, Electric
41	3234-47	1	Screw-HHF	48	110-4101	1	Hose-Fuel
42	94-1416	1	Adapter-Indicator	49	110-4104	1	Hose-Fuel
43	93-9164	1	Indicator-Mini	51	3230-2	4	Bolt-CARR
44	132-7563	1	Hose-Breather, Transmission	52	2412-130	1	Clamp-Hose
45	110-4112	1	Hose-Fuel	53	2412-108	1	Clamp-Worm



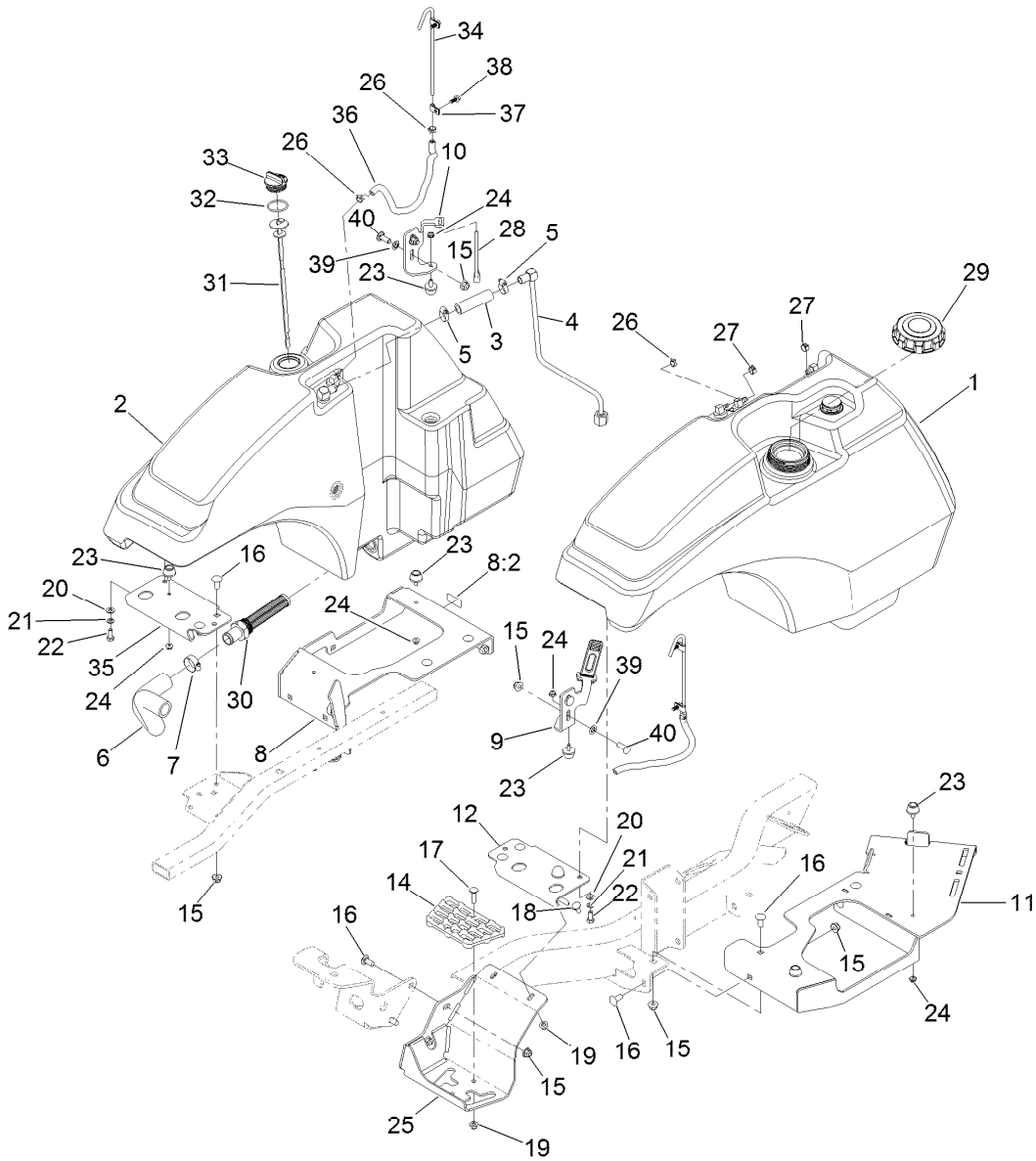
Air Cleaner Assembly No. 93-2190

<i>Ref.</i>	<i>Part Number</i>	<i>Qty.</i>	<i>Description</i>
2	108-3811	1	Filter-Air
3	94-3652	1	Cover ASM
3:1	1-643283	2	Latch-Cleaner, Air
4	87-9400	1	Valve-Vacuator
5	285-17	1	Plug-Pipe



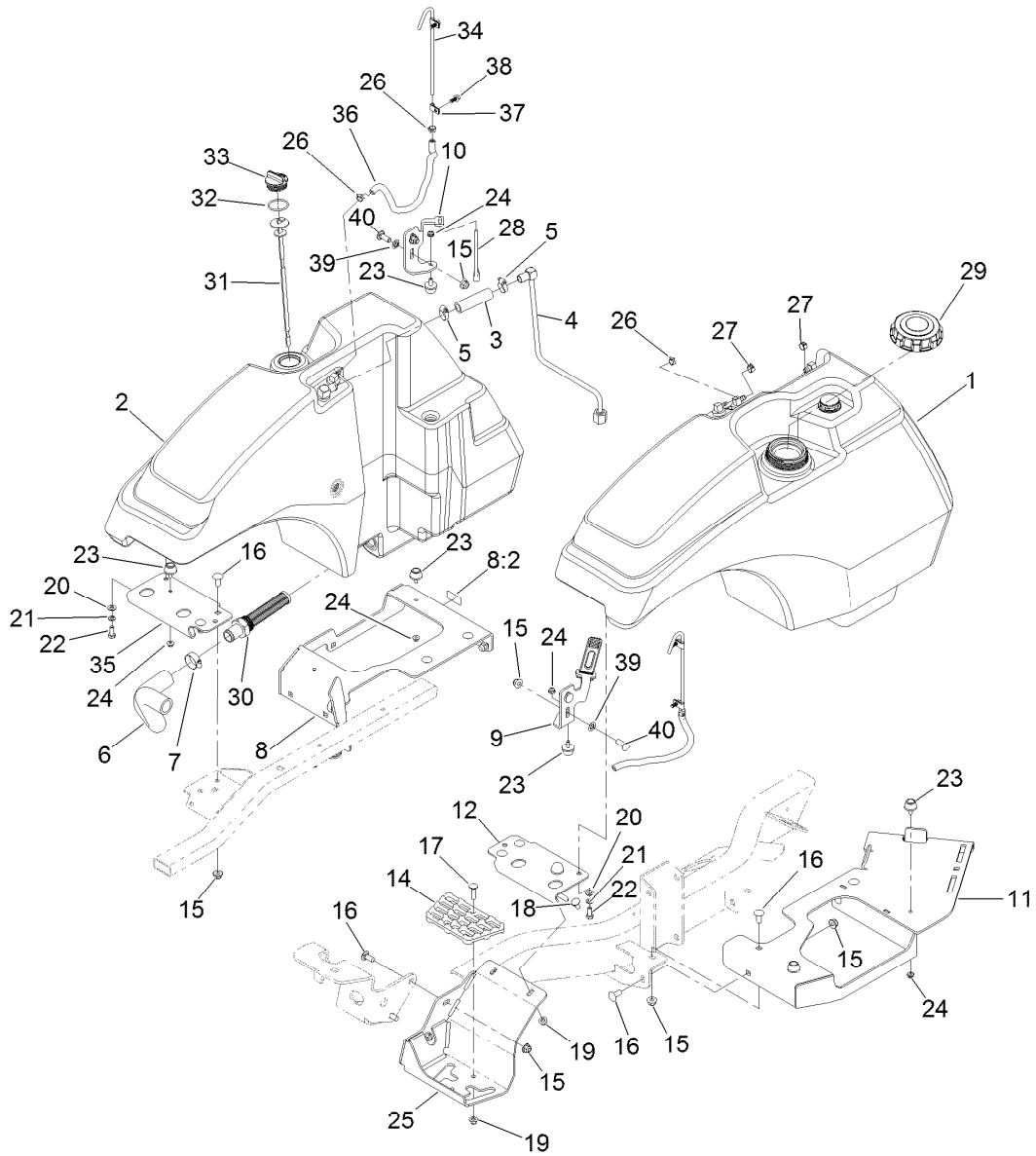
Radiator and Cooler Assembly

<i>Ref.</i>	<i>Part Number</i>	<i>Qty.</i>	<i>Description</i>	<i>Ref.</i>	<i>Part Number</i>	<i>Qty.</i>	<i>Description</i>
1	138-7420	1	Radiator/Oil Cooler ASM	12	138-4410	2	Seal-Foam
2	92-2379	2	Clamp-Hose	13	138-4411	2	Seal-Foam
3	139-6232	1	Shroud-Cooler ASM	14	138-4453	1	Foam-Radiator
3:2	115-8155	1	Decal-Warning	15	138-4454	2	Foam-Radiator, Side
4	3234-47	2	Screw-HHF	16	138-4461-0P	1	Bracket-Shroud Retainer
5	104-8300	11	Nut-HF, NI	17	139-6230	1	Bracket-Bottle Mount
6	139-6229	1	Strap-Cooler	17:2	93-7272	1	Decal-Warning
6:2	93-7272	1	Decal-Warning	18	106-1126	1	Hose-Fuel
7	3230-23	9	Bolt-CARR	19	108-1393	1	Strip-Foam
8	1-807512	3	Bolt-CARR	21	130-8439	2	Plug-Dome
9	104-7201	3	Nut-HF	22	140-5841	2	Trim-Cooler
10	3234-42	2	Screw-HHF	23	130-9182	1	Foam-Radiator, Short
11	104-8301	2	Nut-HF, NI	24	144-0472	1	Decal-Coolant Level



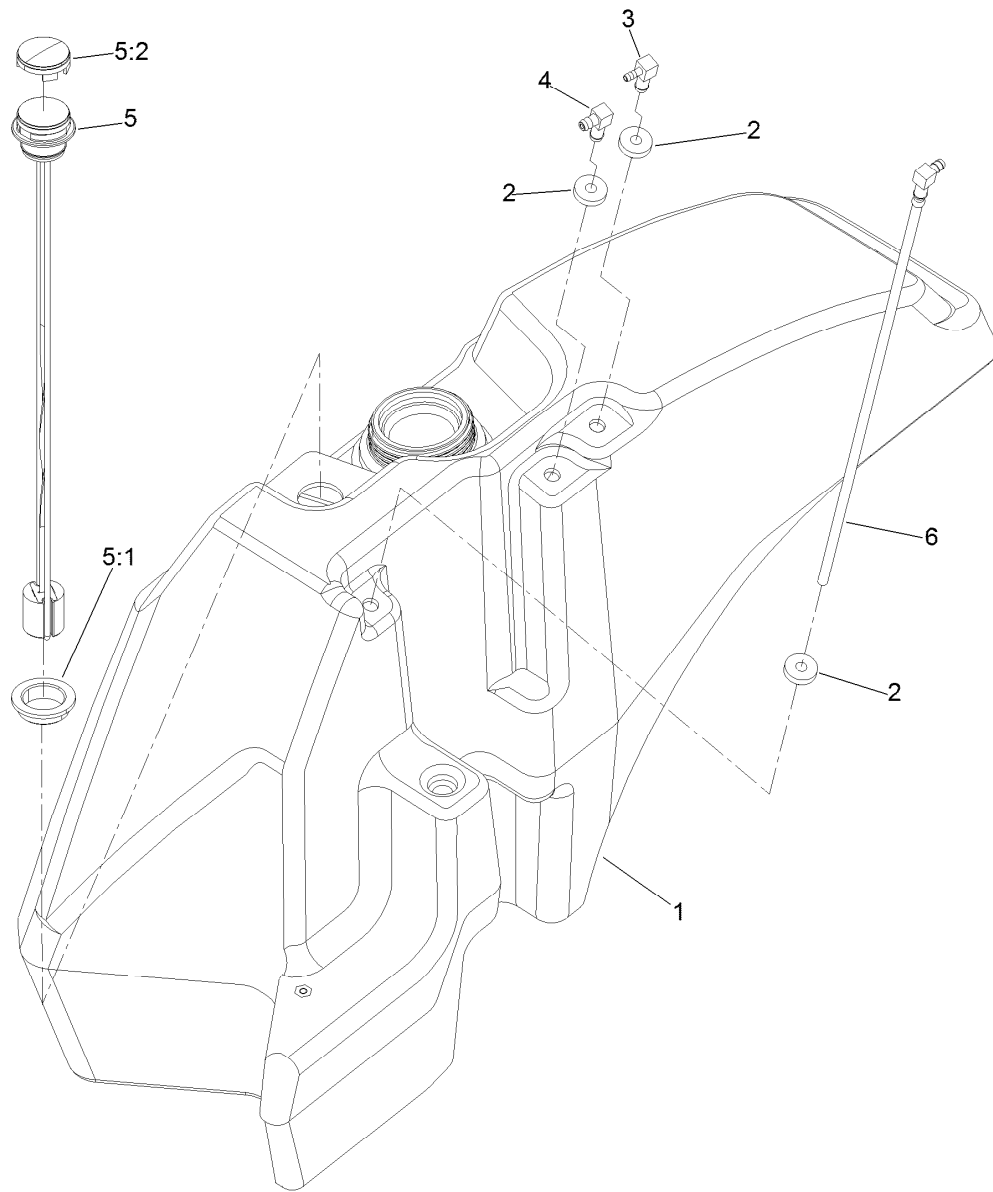
Fuel and Hydraulic Tank Assembly

Ref.	Part Number	Qty.	Description	Ref.	Part Number	Qty.	Description
1	138-0291	1	Fuel Tank	19	104-8300	3	Nut-HF, NI
2	138-4418	1	Hydraulics Tank ASM	20	3256-23	2	Washer-Plain
3	114-4920	1	Hose	21	3253-4	2	Washer-Lock
4	138-7392	1	Hydraulic Tube ASM	22	322-3	2	Screw-HH
5	2412-119	2	Clamp-Hose, Worm Drive	23	109-2365	8	Bumper-Rubber
6	138-7361	1	Hose-Suction	24	104-7201	8	Nut-HF
7	2412-34	1	Clamp-Hose	25	139-0927-01	1	Bracket-Mount, Step
8	139-6228	1	Tank Support-Hydraulic	26	2412-98	4	Clamp-Hose
8:2	127-0392	1	Decal-Hot Surface	27	92-2379	2	Clamp-Hose
9	138-0441-03	1	Bracket-Tank Hold Down, LH	28	131-8402	2	Strap-Down, Hold
10	138-7315-03	1	Bracket-Tank Hold Down, RH	29	125-9171	1	Cap-Fuel
11	138-4404-03	1	Tray-Tank/Battery	30	138-7499	1	Fitting-Strainer
12	138-7365-03	1	Bracket-Tank Mount, Front LH	31	138-7388	1	Dipstick
14	126-4781	1	Step-Deck	32	94-8166	1	O-Ring
15	104-8301	19	Nut-HF, NI	33	93-7498	1	Plug-Plastic
16	3231-27	15	Screw-CARR	34	139-6252	2	Tube-Vent
17	3230-3	1	Screw-CARR	35	139-0940-03	1	Bracket-Tank Mount, Front RH
18	3230-23	2	Bolt-CARR	36	139-6253	2	Hose-Fuel
				37	2412-72	4	Clip-Closed, Insulated
				38	99-6810	4	Screw-HHF



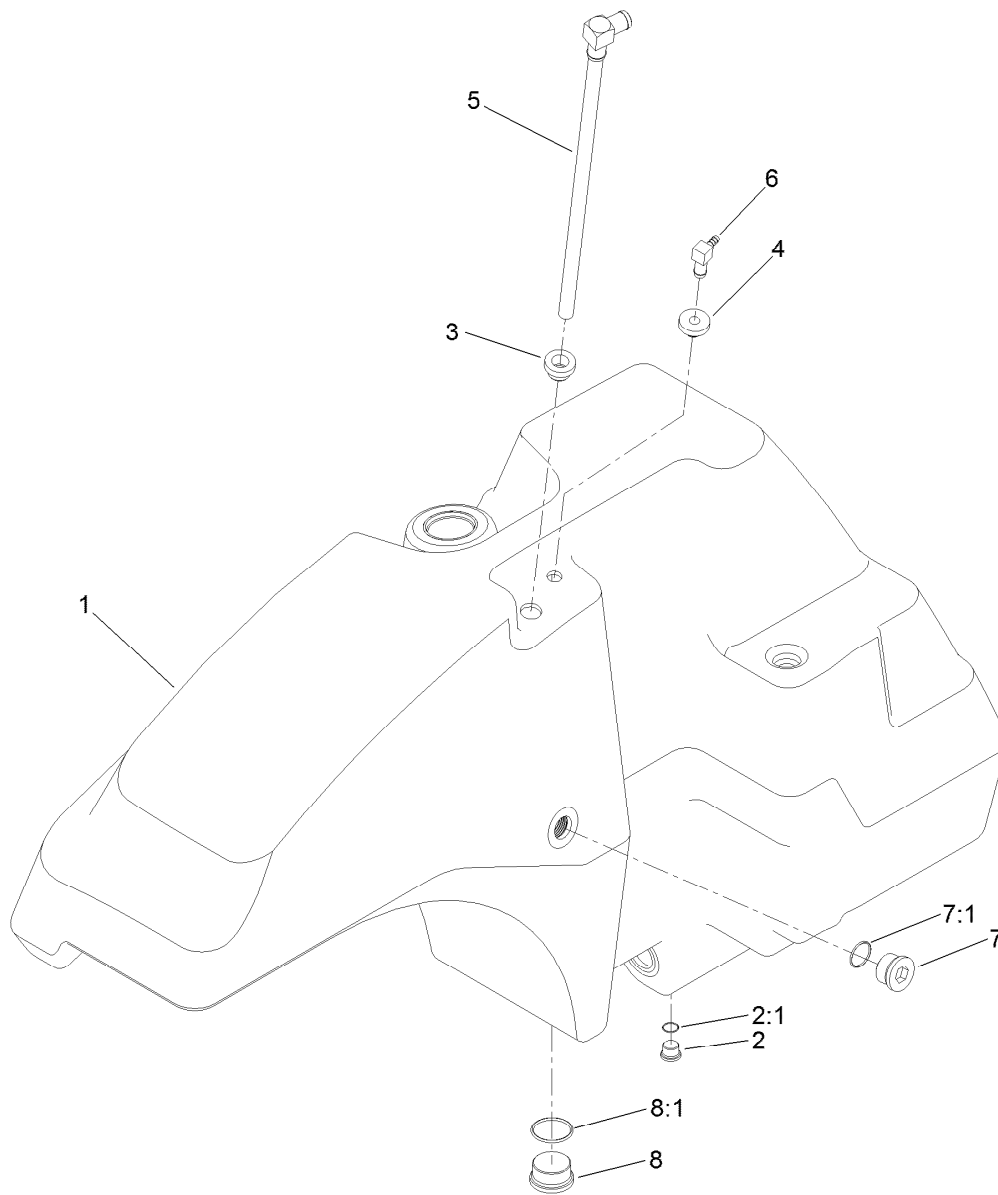
Fuel and Hydraulic Tank Assembly (continued)

<i>Ref.</i>	<i>Part Number</i>	<i>Qty.</i>	<i>Description</i>
39	107-3154	6	Nut-Push
40	3231-22	4	Screw-CARR



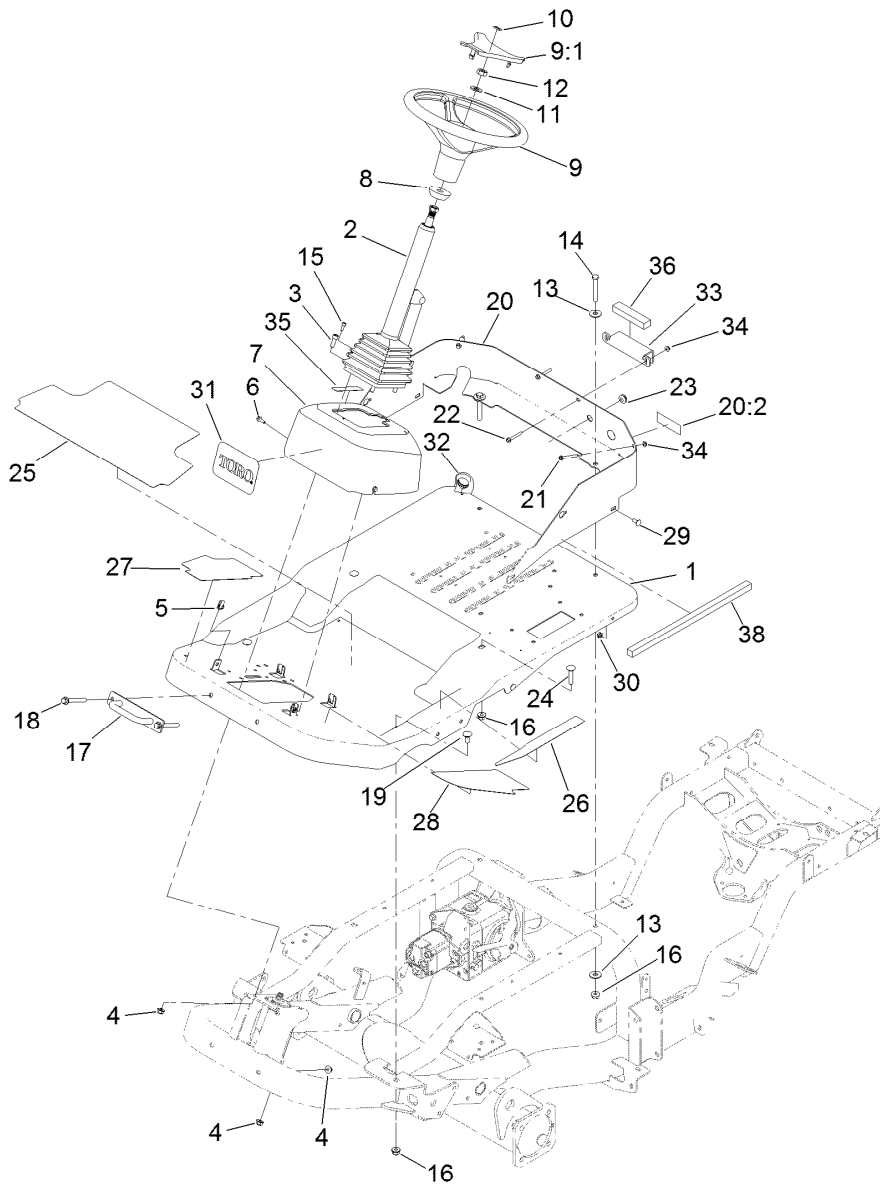
Fuel Tank Assembly No. 138-0291

<i>Ref.</i>	<i>Part Number</i>	<i>Qty.</i>	<i>Description</i>
1	138-7385	1	Fuel Tank W/Inserts ASM
2	46-6560	3	Bushing
3	104-5228	1	Fitting-Elbow, 90 DEG
4	46-6550	1	Fitting-Elbow, 90 DEG
5	139-0872	1	Gauge-Fuel
5:1	119-0508	1	Seal
5:2	117-8404	1	Dial-Gauge
6	138-7389	1	Pipe-Stand



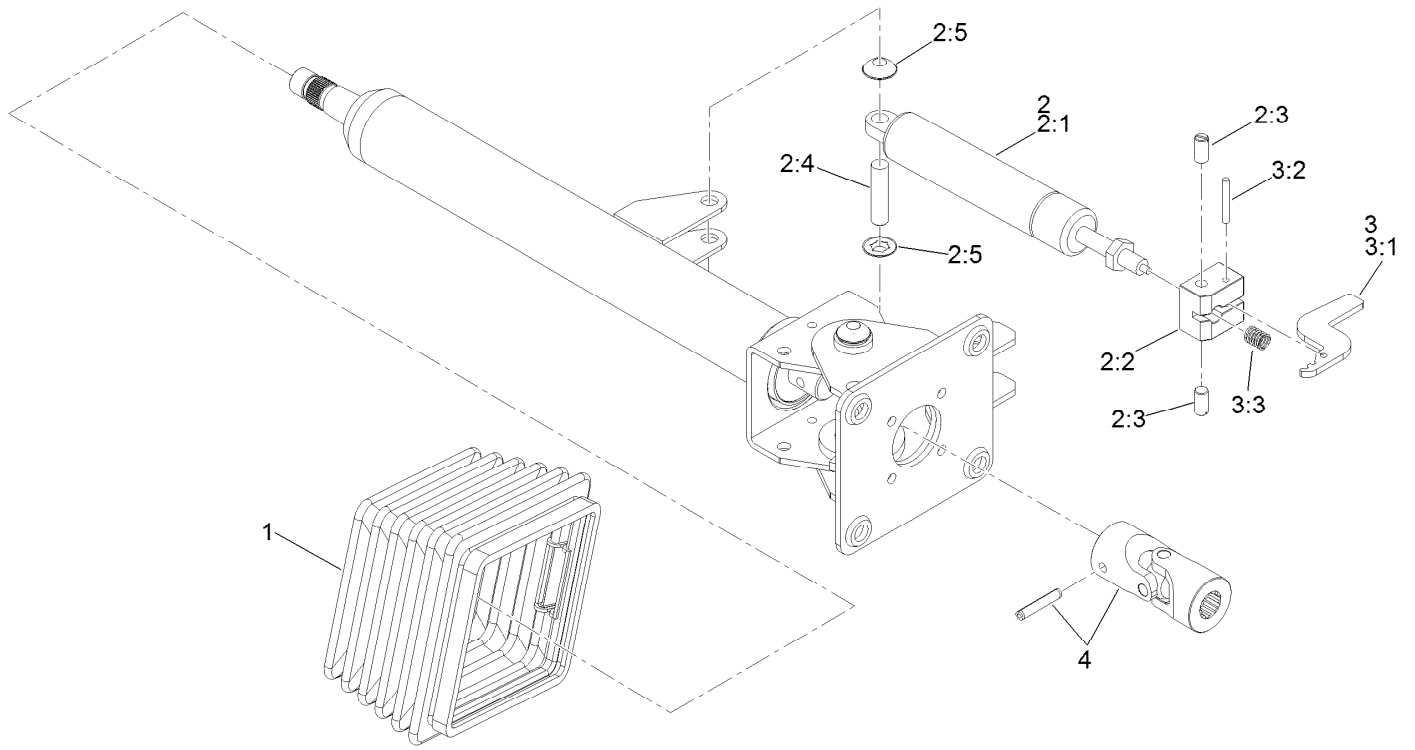
Hydraulic Tank Assembly No. 138-4418

Ref.	Part Number	Qty.	Description
1	138-7386	1	Tank-Hydraulic W/Inserts
2	353-989	1	Plug-Hex, Hollow
2:1	237-42	1	O-Ring
3	104-0790	1	Bushing
4	46-6560	1	Bushing
5	138-7384	1	Tube-Drop
6	104-5228	1	Fitting-Elbow, 90 DEG
7	139-6333	1	Fitting-Plug
7:1	237-81	1	O-Ring
8	105-3921	1	Fitting-Plug
8:1	237-146	1	O-Ring



Platform, Steering and Console Assembly

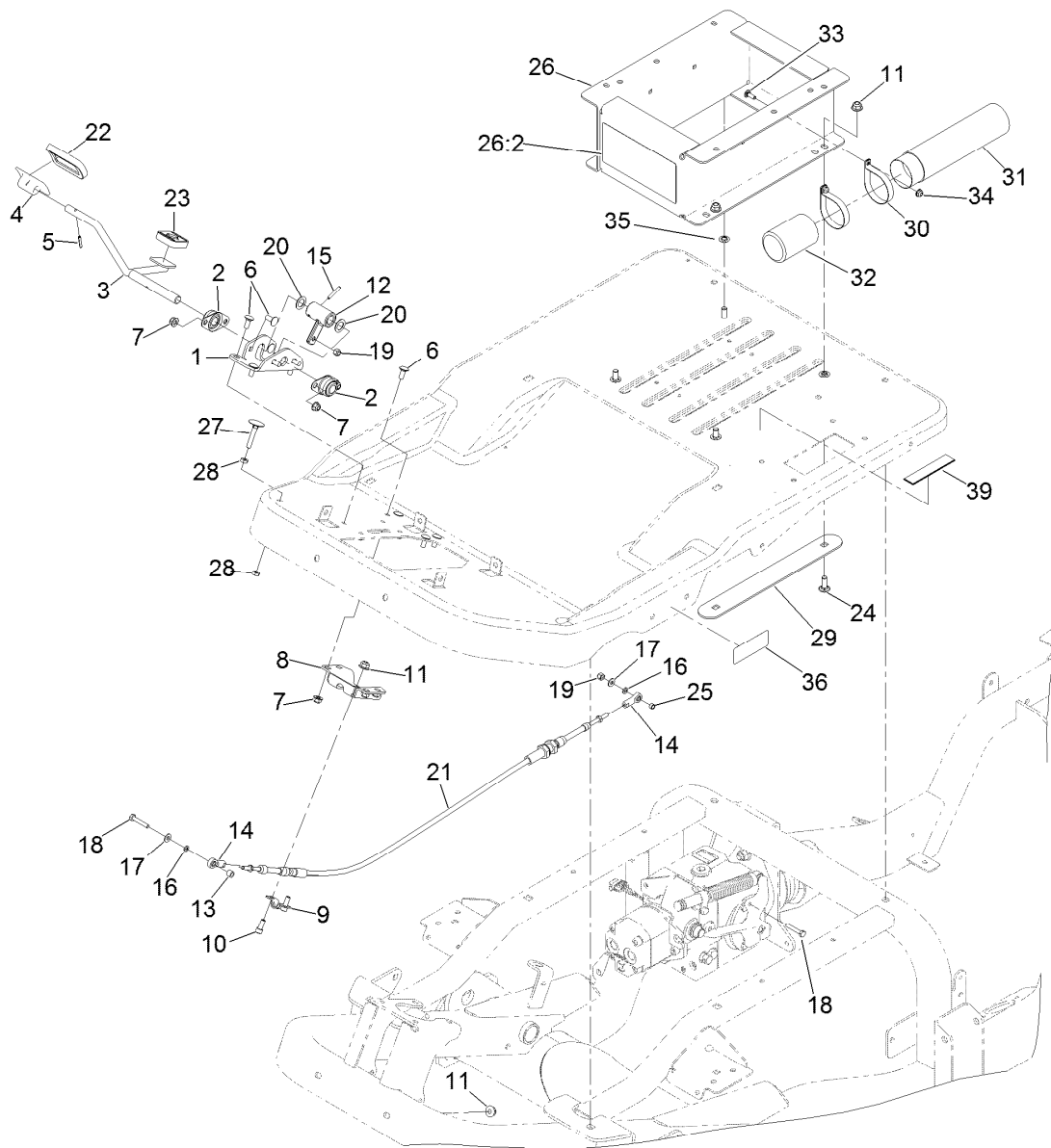
Ref.	Part Number	Qty.	Description	Ref.	Part Number	Qty.	Description
1	138-0300SP	1	Platform-Stamped	20	139-6233	1	Plate-Firewall, Lower
2	139-0857	1	Column-Steering, Tilt	20:2	132-1316	2	Decal-Danger, Belt
3	3274-7	4	Screw-HSH	21	125-4287	2	Screw-HHF
4	104-8301	6	Nut-HF, NI	22	3234-34	2	Screw-HHF
5	107069	4	Clip	23	1-633630	1	Grommet
6	99-6810	4	Screw-HHF	24	3232-5	2	Screw-CARR
7	138-7494	1	Cover-Steering	25	139-0858	1	Tread-Foot, Main
8	93-5429	1	Collar-Foam	26	139-0859	1	Tread-Foot, Side
9	98-1471	1	Wheel-Steering	27	139-0885	1	Tread-Foot, Front RH
9:1	98-1468	1	Cover-Wheel, Steering	28	139-0886	1	Tread-Foot, Front LH
10	98-1459	1	Decal	29	3230-23	4	Bolt-CARR
11	3256-27	1	Washer-Flat	30	104-8300	4	Nut-HF, NI
12	3296-33	1	Nut-Lock, NI	31	105-1217	1	Decal
13	3256-40	4	Washer-Flat	32	139-1972	1	Plug-Harness, Firewall
14	324-12	2	Screw-HH	33	139-2166-0P	1	Bracket-Hood Support
15	105-2409	4	Screw-HSH	34	104-7201	4	Nut-HF
16	114-8417	6	Nut-HF, NI	35	140-1460	1	Decal-Traction Pedal
17	138-0288	1	Bracket-Down, Tie	36	139-6202	1	Foam-Strip
18	3234-41	2	Screw-HHF	38	139-6207	1	Foam-Strip
19	3232-1	2	Screw-CARR				



Steering Column Assembly No. 139-0857

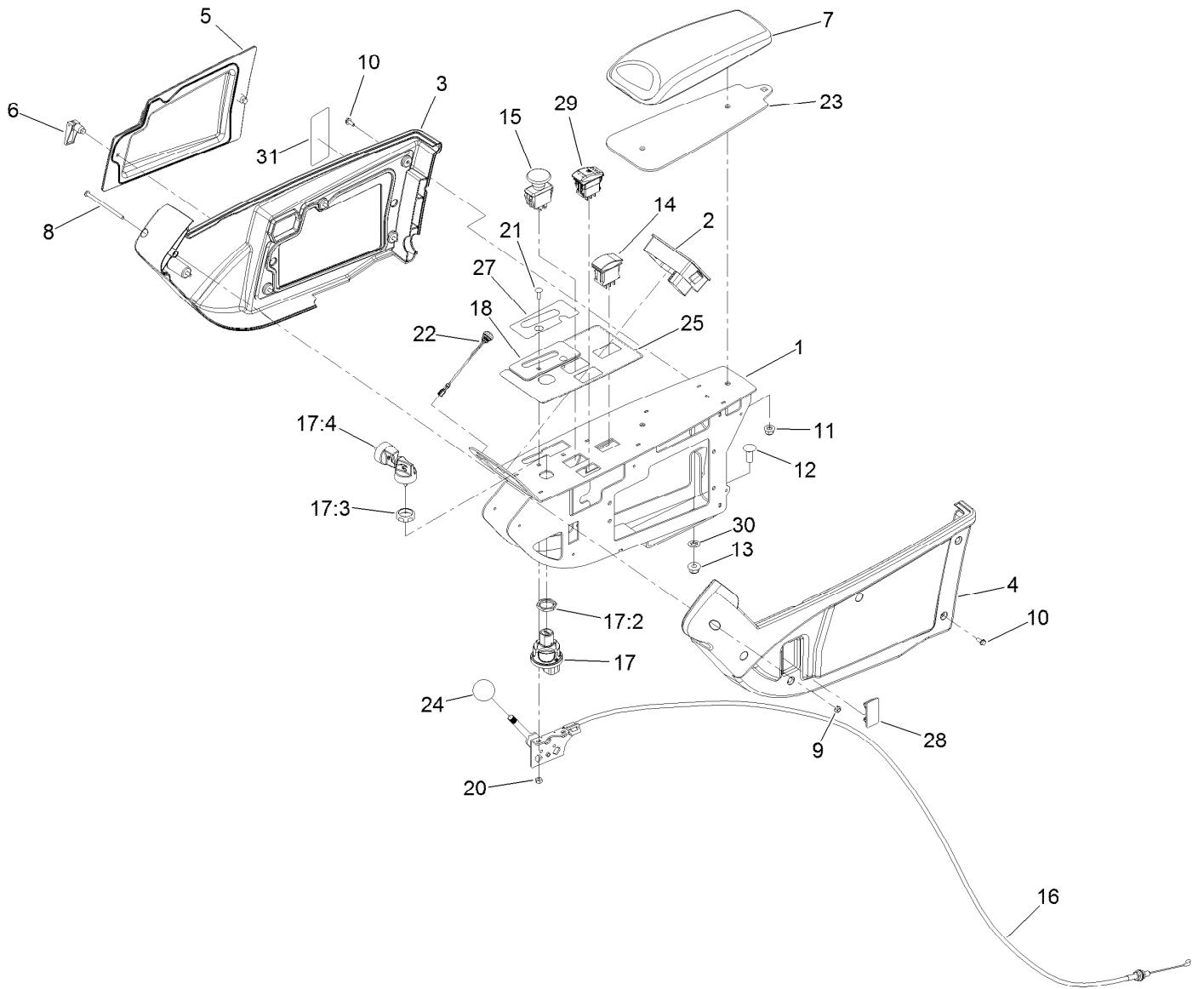
Ref.	Part Number	Qty.	Description
1	110-6462	1	Bellows-Rubber
2	110-6463	1	Cylinder Service Kit
2:1		1	Cylinder-Gas ●
2:2		1	Block-Pedal ●
2:3		2	Bolt ●
2:4		1	Pin ●
2:5		2	Washer-Lock ●
3	136-4385	1	Pedal Service Kit
3:1		1	Pedal ●
3:2		1	Pin ●
3:3		1	Spring ●
4	120-6256	1	Universal Joint Kit

● Not serviced separately



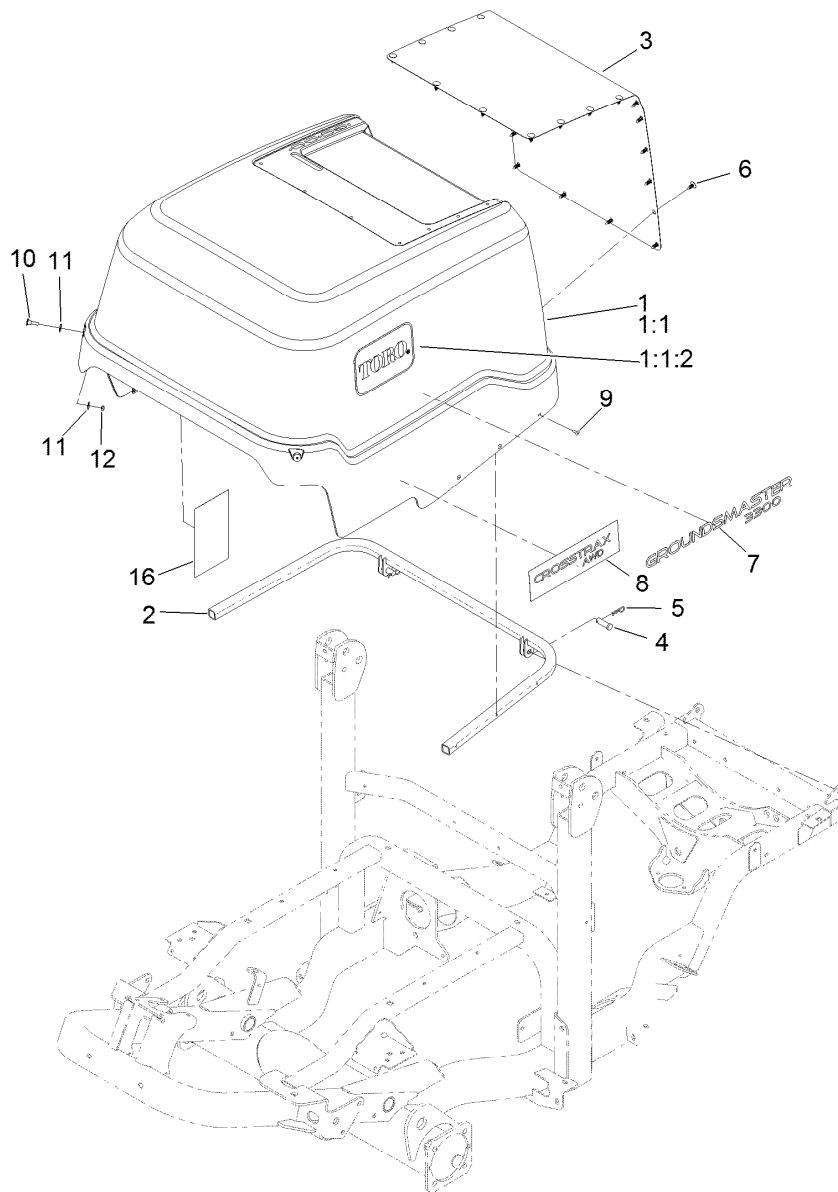
Traction Pedal Assembly

Ref.	Part Number	Qty.	Description	Ref.	Part Number	Qty.	Description
1	138-7477-01	1	Bracket-Pedal, Traction	20	137-2601	2	Washer
2	256-236	2	Bearing-Mount, Flange	21	137-2568	1	Traction-Cable
3	138-4594	1	Pedal-Traction	22	74-9100	1	Pad-Pedal, Forward
4	117-9507	1	Pedal-Accelerator	23	74-9110	1	Pad-Pedal, Reverse
5	32121-45	1	Pin-Spring	24	3231-22	4	Screw-CARR
6	3230-23	12	Bolt-CARR	25	130-9691	1	Spacer
7	104-8300	12	Nut-HF, NI	26	139-6221	1	Seat Box ASM
8	138-7446-01	1	Bracket-Cable, Traction	26:2	139-6215	1	Decal-Warning
9	93-2092	1	Clamp-Cable	27	115-8240	1	Screw-Elevator
10	3274-10	2	Screw-HSH	28	3218-2	2	Nut-Jam
11	104-8301	6	Nut-HF, NI	29	138-7422-0P	2	Strip-Seat Mount
12	117-5199	1	Hub-Pedal, Traction	30	107-1865	2	R-Clamp
13	66-8010	1	Spacer	31	104-7050	1	Tube-Manual
14	2411-41	2	Rod End-Ball Joint	32	104-7048	1	Cap-Housing
15	32121-6	1	Pin-Roll, Slotted	33	1-807512	2	Bolt-CARR
16	33093-00	2	Washer-Flat	34	104-7201	2	Nut-HF
17	3256-22	2	Washer-Flat	35	107-3154	4	Nut-Push
18	321-9	2	Screw-HH	36	106-9206	2	Decal-Torque, Wheel
19	3296-42	2	Nut-Lock, NI	39	133-8062	1	Decal-Arrestor, Spark



Control Console Assembly

<i>Ref.</i>	<i>Part Number</i>	<i>Qty.</i>	<i>Description</i>	<i>Ref.</i>	<i>Part Number</i>	<i>Qty.</i>	<i>Description</i>
1	133-6406-03	1	Panel	17	121-5159	1	Ignition Switch ASM
2	132-9751	1	Tdm 2001	17:2	121-5160	1	Nut-Hex
3	108-7605	1	Cover-RH	17:3	121-5161	1	Nut-Face
4	108-7604	1	Cover-LH	17:4	121-5162	1	Set-Key, Ignition
5	108-7616	1	Panel-Access	18	137-2510	1	Cover-Throttle, Lever
6	74-5950	2	Latch-Swell	20	3296-2	2	Nut-Lock, NI
7	131-9637	1	Armrest-Quick Find	21	1-807533	2	Bolt-CARR
8	3250-22	1	Screw-PPH	22	136-9678	1	Switch-Pushbutton
9	3296-12	1	Nut-Lock, NI	23	138-4548-03	1	Plate-Spacer, Console Pad
10	32144-112	10	Screw-HWH	24	1-603175	1	Knob-Ball
11	104-8300	2	Nut-HF, NI	25	138-7471	1	Decal-Console
12	3231-22	2	Screw-CARR	27	138-7473	1	Decal-Throttle
13	104-8301	2	Nut-HF, NI	28	99-7420	1	Plug-Hole
14	100-1535	1	Switch-Rocker, (On)-Off-(On)	29	110-0811	1	Switch-Rocker On-None-(On)
15	93-9999	1	Switch-PTO	30	107-3154	2	Nut-Push
16	138-4549	1	Cable-Throttle	31	140-3125	1	Decal-Fuse

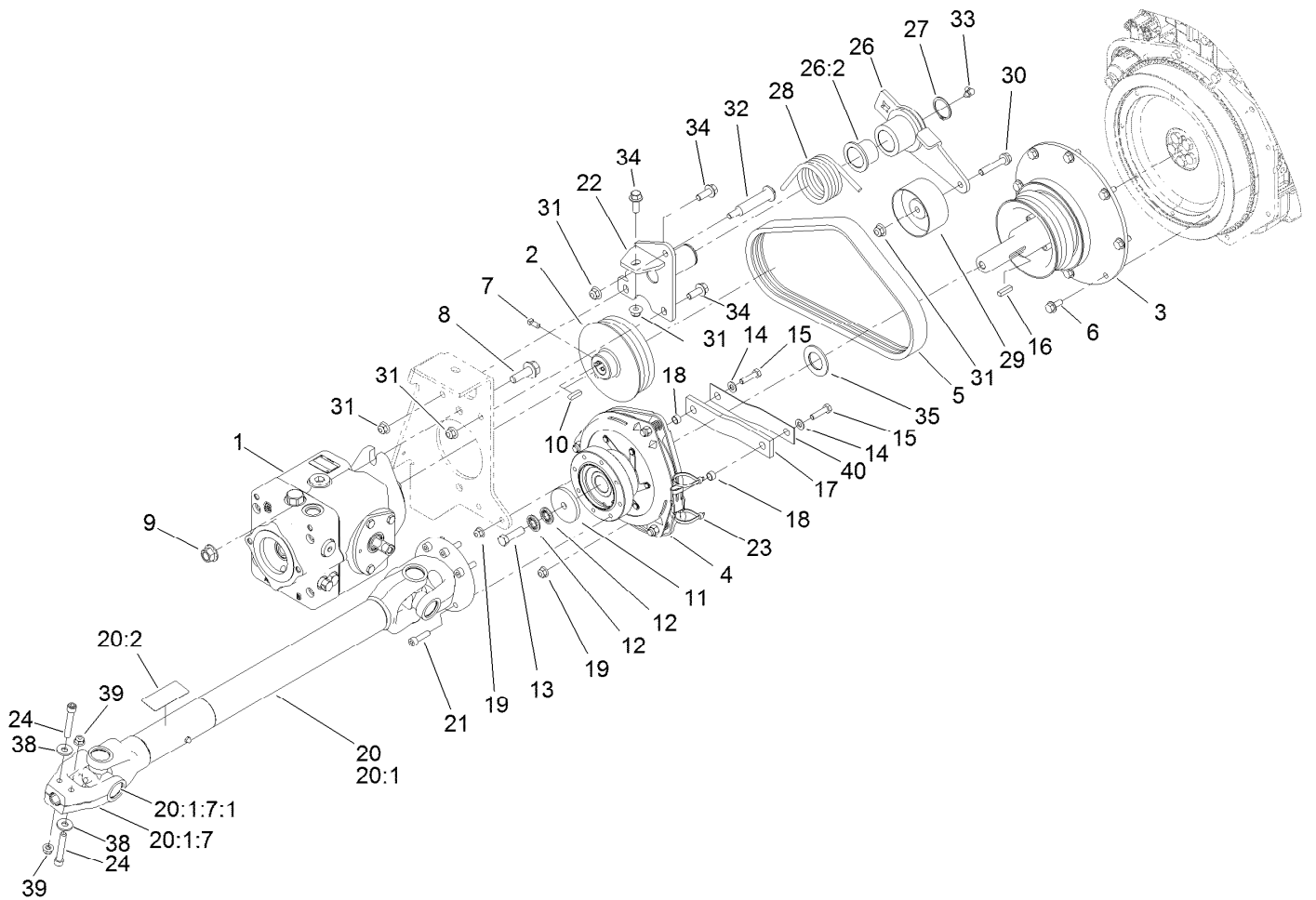


Hood Assembly

Ref.	Part Number	Qty.	Description	Ref.	Part Number	Qty.	Description
1	138-7330SP	1	Hood	5	3290-467	2	Pin-Hair
1:1		1	Hood ASM ■	6	117-2382	24	Plug-Plastic
1:1:2	62-7400	2	Decal	7	139-6151	2	Decal-Identification
1:2	139-6225	1	Tape-Heat, Hood Front ●	8	110-8859	2	Decal
1:3	139-6226	1	Tape-Heat, Hood Rear ●	9	114439	10	Rivet-Blind
1:4	139-6227	1	Tape-Heat, Hood Side ●	10	139-0855	2	Screw-Countersunk, Oval
2	138-7331-03	1	Support-Hood	11	3256-2	4	Washer-Flat
3	138-7474-03	1	Screen-Cooler	12	3296-56	2	Nut-Lock, NI
4	283-68	2	Pin-Clevis	16	144-0518	1	Decal-Service, Gm3200

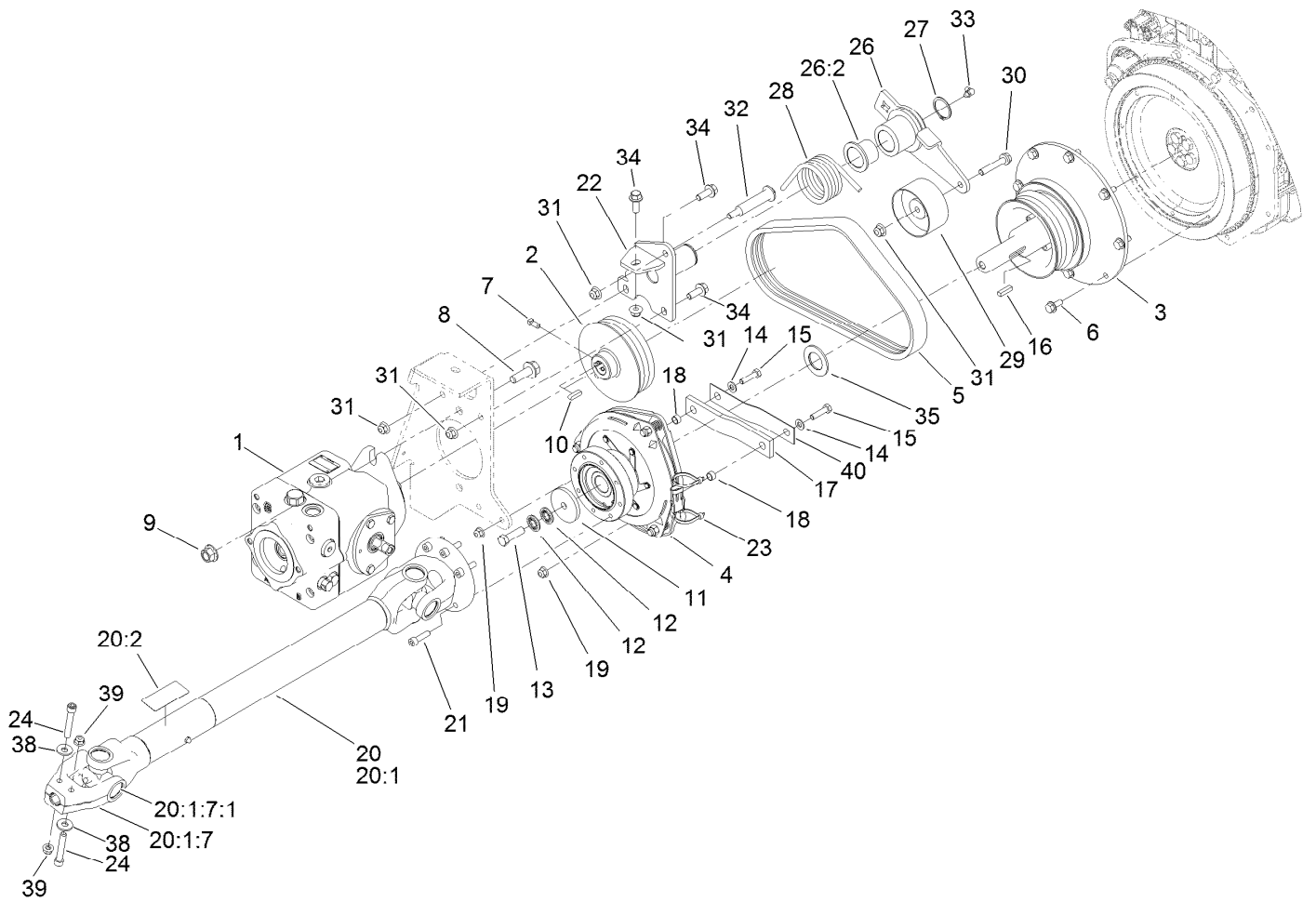
● Not illustrated

■ Not serviced separately



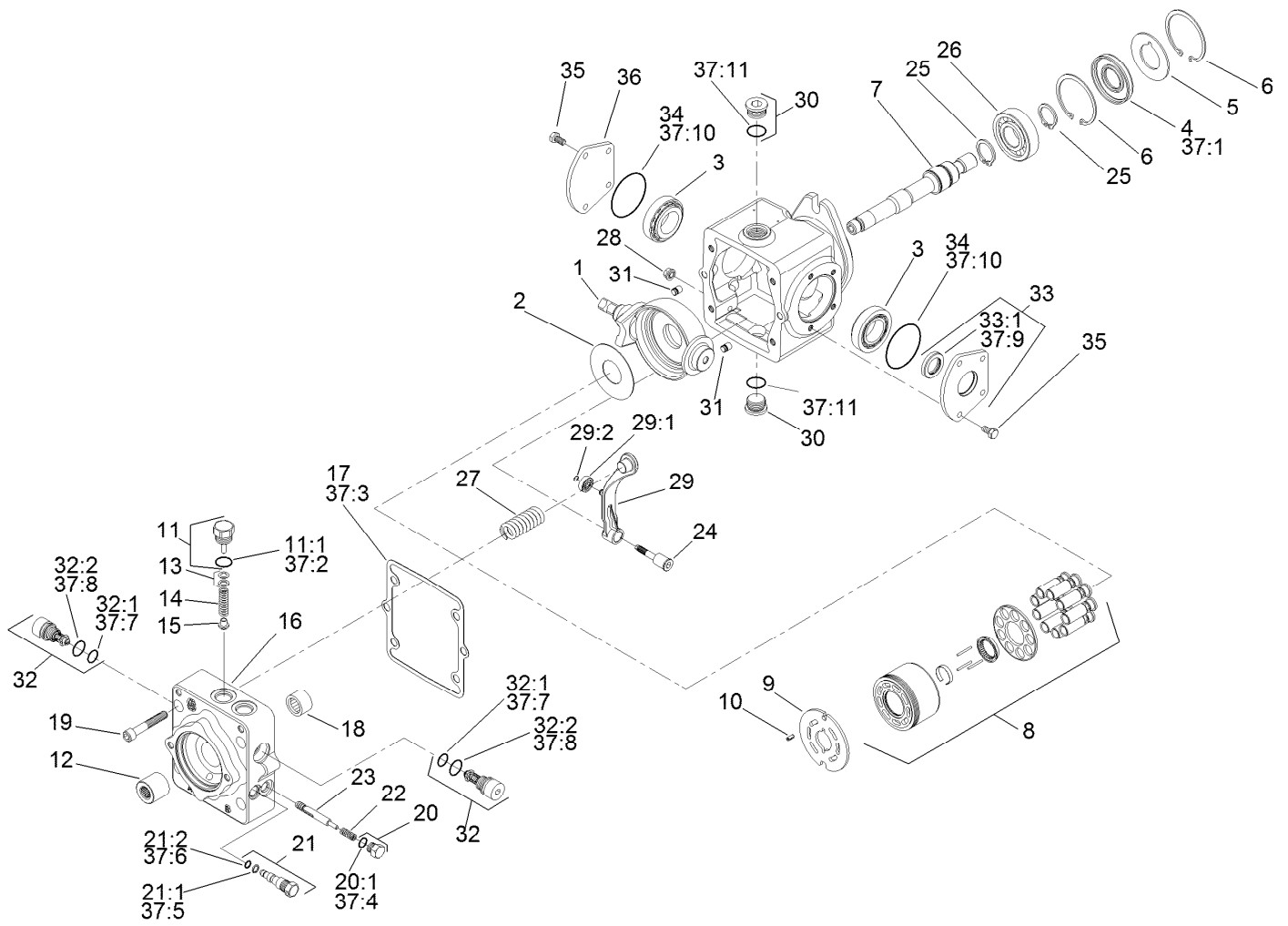
Hydraulic PTO Assembly

Ref.	Part Number	Qty.	Description	Ref.	Part Number	Qty.	Description
1	138-0305	1	Variable Piston Pump ASM	20:1:7	144-0519	1	Yoke-Splined W/Cross Joint
2	139-6257	1	Pulley-3/3V	20:1:7:1	144-0550	1	Bearing-Cross Joint
3	139-6258	1	Stubshaft-3/3V	20:2	139-6304	1	Decal-Danger, Entanglement
4	139-6165	1	Clutch	21	144-0452	6	Screw-Hex Socket
5	139-6259	1	Belt-3/3V	22	140-3091	1	Idler Pivot ASM
6	138-0690	8	Screw-HH	23	3290-378	2	Tie-Cable
7	1-803022	2	Screw-Set	24	131-8591	2	Screw-HSH
8	100-6116	2	Screw-HHF	26	140-3100	1	Idler Arm ASM
9	99-5107	2	Nut-Lock	26:2	93-4510	2	Bushing-Caster
10	94-3645	1	Key	27	32120-84	1	Ring-Snap, External
11	139-6238	1	Washer	28	140-3102	1	Spring-Torsion
12	1-603610	2	Washer-Spring	29	140-3101	1	Pulley-Flat
13	109-9761	1	Screw-HH	30	108-3742	1	Screw-HHF
14	3256-23	2	Washer-Plain	31	104-8301	5	Nut-HF, NI
15	322-6	2	Screw-HH	32	112-3977	1	Bolt-Shoulder
16	1-807259	1	Key	33	302-40	1	Fitting-Grease, 90 DEG
17	139-6278	1	Strap-Clutch Stop	34	3234-42	2	Screw-HHF
18	65-9820	2	Spacer	35	139-6239	1	Washer
19	104-8300	3	Nut-HF, NI	38	80-6990	2	Washer-Hardened
20	144-0521	1	Driveshaft ASM				
20:1	144-0520	1	Shaft-Drive, Jdl				



Hydraulic PTO Assembly (continued)

<i>Ref.</i>	<i>Part Number</i>	<i>Qty.</i>	<i>Description</i>
39	32128-36	2	Nut-HF
40	144-0532-0P	1	Strip-Steel, Spring

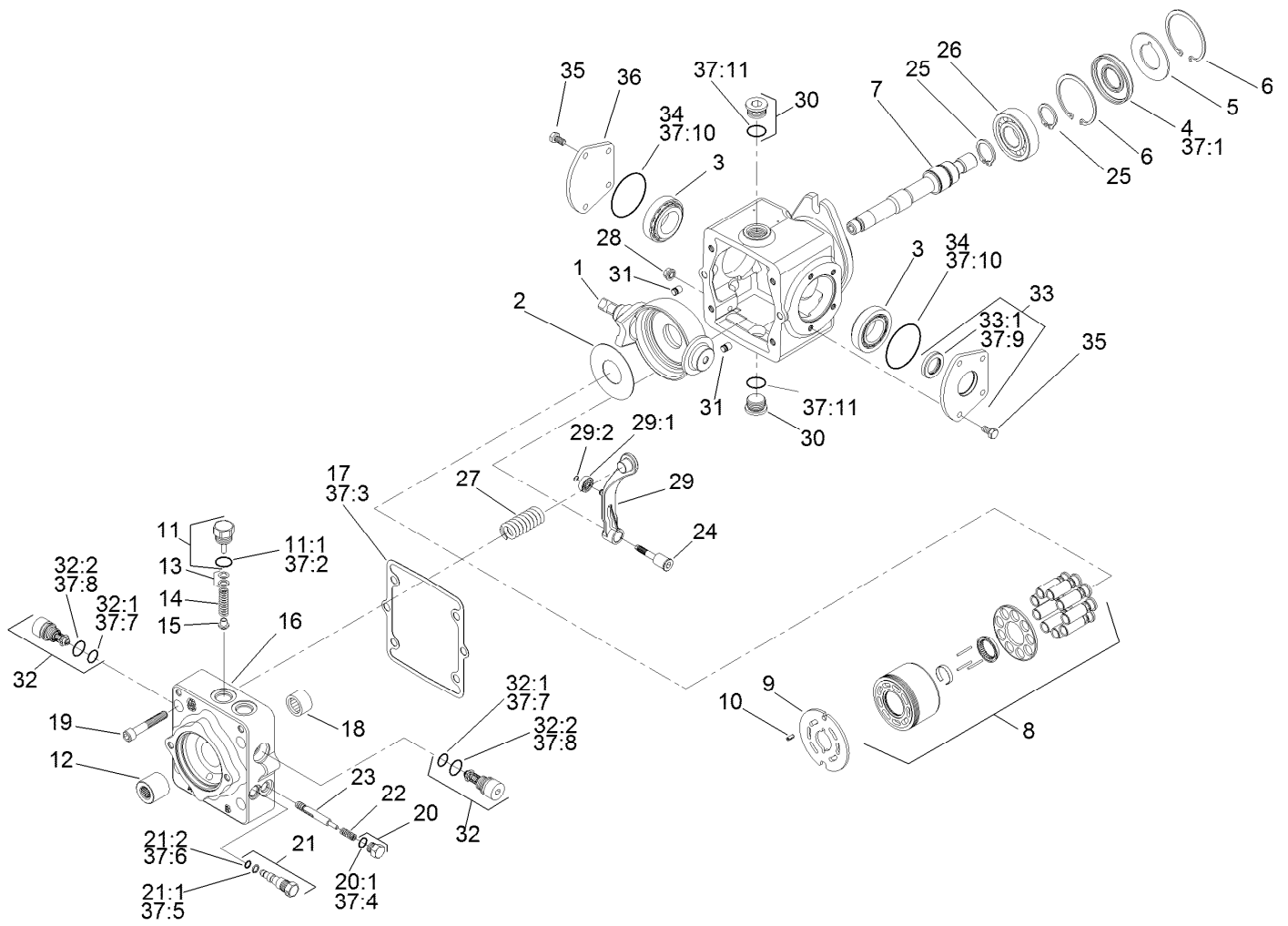


Variable Piston Pump Assembly No. 138-0305

Ref.	Part Number	Qty.	Description	Ref.	Part Number	Qty.	Description
1	140-3111	1	Plate-Swash	18	75-0500	1	Bearing-Needle
2	75-0400	1	Plate-Thrust	19	110-6489	4	Screw
3	110-6483	2	Bearing Kit	20	94-9415	2	Plug ASM
4	110-6471	1	Seal-Lip	20:1		1	O-Ring ■
5	95-4400	1	Washer-Backup	21	107-4364	1	Bypass Valve ASM
6	131-8616	2	Ring-Retaining	21:1	25-2630	1	Ring-Back Up
7	140-3113	1	Shaft	21:2	110-6498	1	O-Ring
8	110-6472	1	Cylinder Block Kit ASM	22	140-3116	2	Spring
9	140-3114	1	Plate-Valve, CW	23	110-6492	1	Spool-Loop, Flush
10	131-3800	1	Pin-Slotted	24	110-6493	1	Pivot-Return, Neutral
11	110-6486	1	Plug-Relief, Charge	25	125-5280	2	Ring-Retaining
11:1	28-3570	1	O-Ring	26	75-0460	1	Bearing-Ball
12	140-3122	1	Coupling	27	140-3117	1	Spring-Neutral Return
13	140-3115	1	Shim Kit	28	110-6496	1	Nut-Seal
14	110-6474	1	Spring	29	110-6497	1	Neutral Return Arm ASM
15	110-6475	1	Poppet	29:1	110-6494	1	Bearing-Cam
16	115-8087	1	Cap-End	29:2	110-3056	1	Ring-Retaining
17	110-6476	1	Gasket-Cap, End	30	69-3130	2	Plug

● Not illustrated

■ Not serviced separately

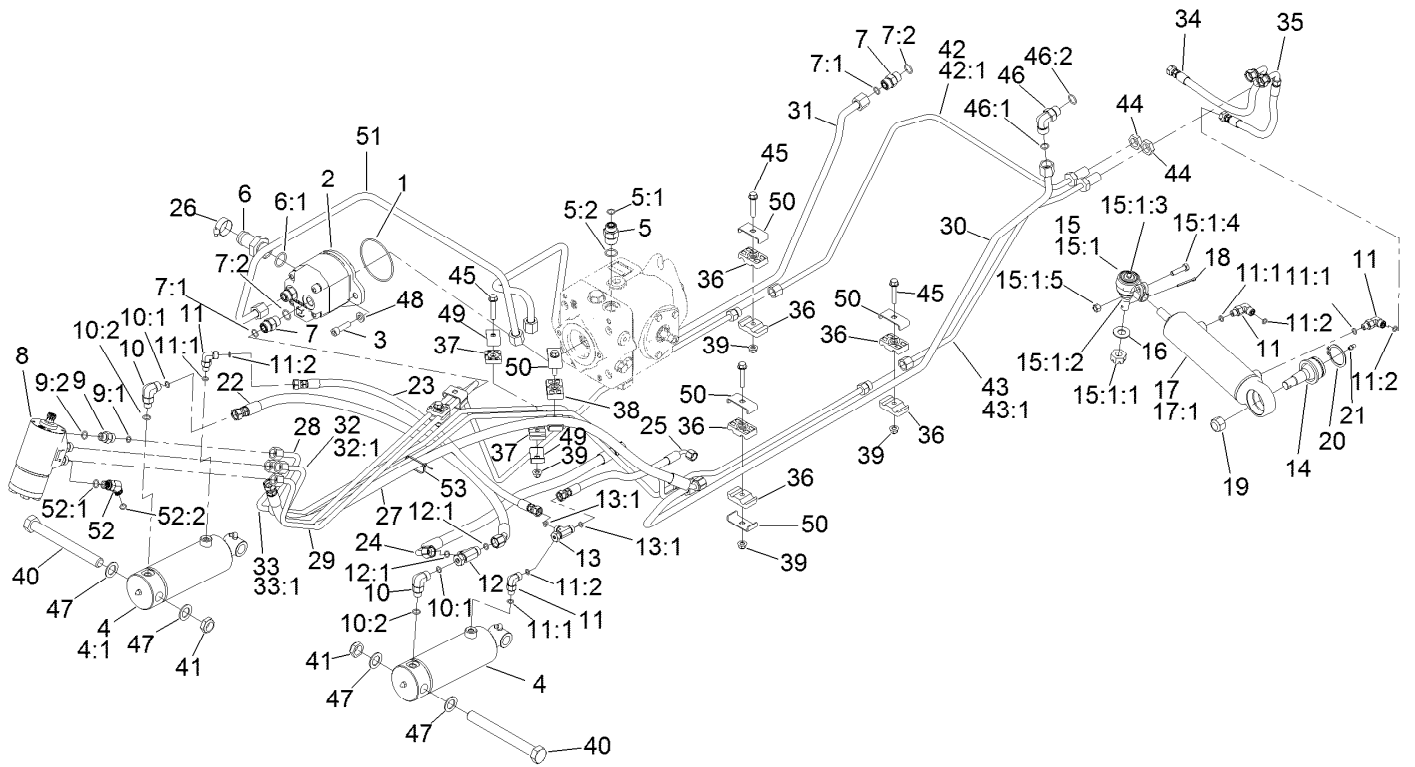


Variable Piston Pump Assembly No. 138-0305 (continued)

Ref.	Part Number	Qty.	Description	Ref.	Part Number	Qty.	Description
31	112-0158	2	Pin	37:2	28-3570	1	O-Ring
32	110-6477	2	Valve-Relief	37:3	110-6476	1	Gasket-Cap, End
32:1	75-0240	1	O-Ring	37:4	131-8631	2	O-Ring
32:2	84-0560	1	O-Ring	37:5	25-2630	1	Ring-Back Up
33	110-6499	1	Trunnion Cover ASM	37:6	110-6498	1	O-Ring
33:1	110-6478	1	Seal-Lip	37:7	75-0240	2	O-Ring
34	84-0430	2	O-Ring	37:8	84-0560	2	O-Ring
35	112-0151	8	Screw	37:9	110-6478	1	Seal-Lip
36	84-0440	1	Cover-Trunnion	37:10	84-0430	2	O-Ring
37	110-6481	1	Seal Kit ●	37:11	131-8614	2	O-Ring
37:1	110-6471	1	Seal-Lip				

● Not illustrated

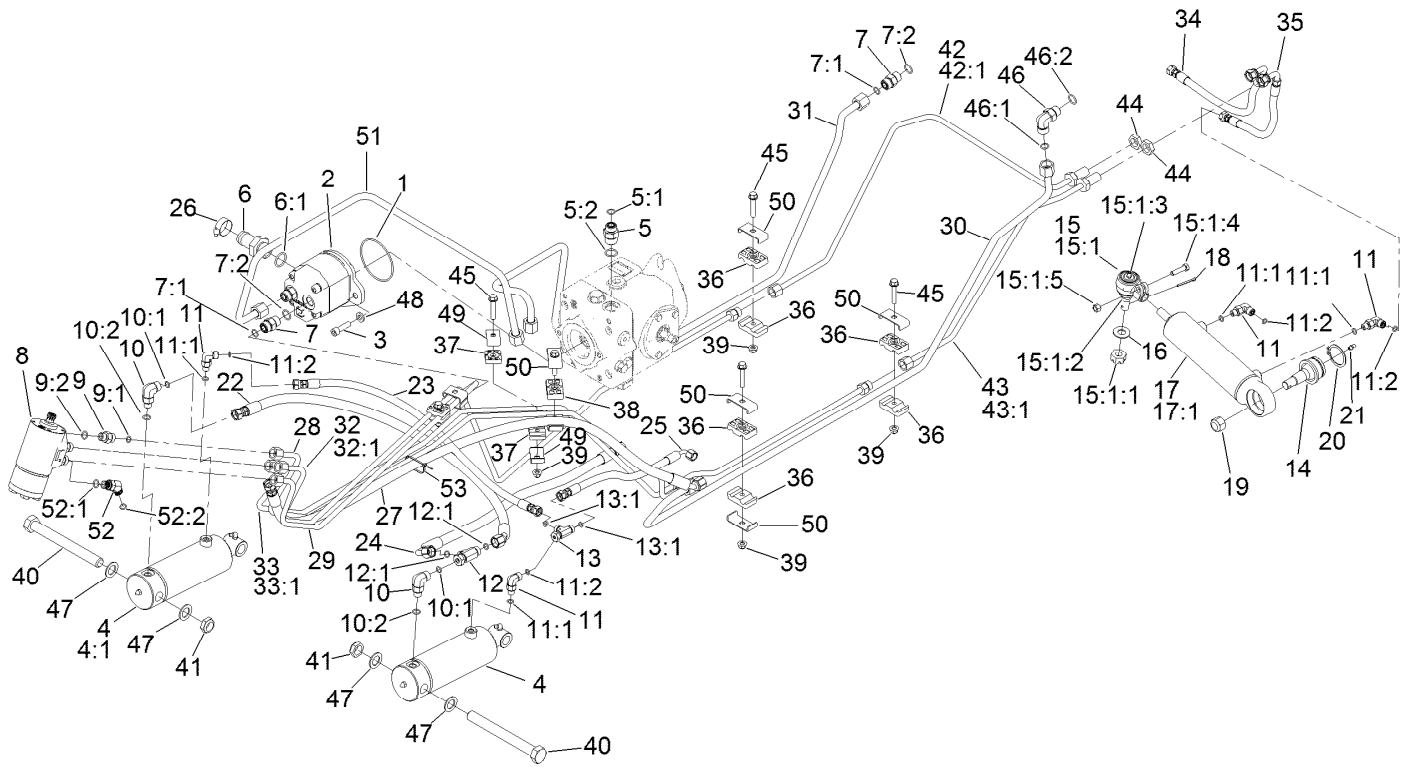
■ Not serviced separately



Hydraulic Assembly

Ref.	Part Number	Qty.	Description	Ref.	Part Number	Qty.	Description
1	237-161	1	O-Ring	10:1	237-22	1	O-Ring
2	138-0321	1	Pump-Gear	10:2	237-42	1	O-Ring
3	3274-1	2	Screw-HSH	11	340-132	4	Fitting-Elbow, 90 DEG
4	139-0854	2	Cylinder-Hydraulic	11:1	237-78	1	O-Ring
4:1	140-3110	1	Kit-Seal	11:2	237-21	1	O-Ring
5	340-6	1	Fitting-Straight	12	340-115	1	Fitting-Tee
5:1	237-30	1	O-Ring	12:1	237-22	2	O-Ring
5:2	237-80	1	O-Ring	13	340-151	1	Fitting-Tee
6	99-3017	1	Fitting	13:1	237-21	2	O-Ring
6:1	237-81	1	O-Ring	14	106-6774	1	Joint-Ball
7	340-4	3	Fitting-Straight	15	106-6895-03	1	Ball Joint ASM
7:1	237-30	1	O-Ring	15:1		1	Joint-Ball ●
7:2	237-79	1	O-Ring	15:1:1	32136-13	1	Nut-SHH
8	114-8119	1	Steering Valve ASM	15:1:2	106-6896	1	Seal
9	340-2	4	Fitting-Straight	15:1:3	302-5	1	Fitting-Grease
9:1	237-22	1	O-Ring	15:1:4	3210-7	1	Screw-HH
9:2	237-42	1	O-Ring	15:1:5	32152-5	1	Nut-Hex
10	340-77	2	Fitting-Elbow, 90 DEG	16	69-8980	1	Washer

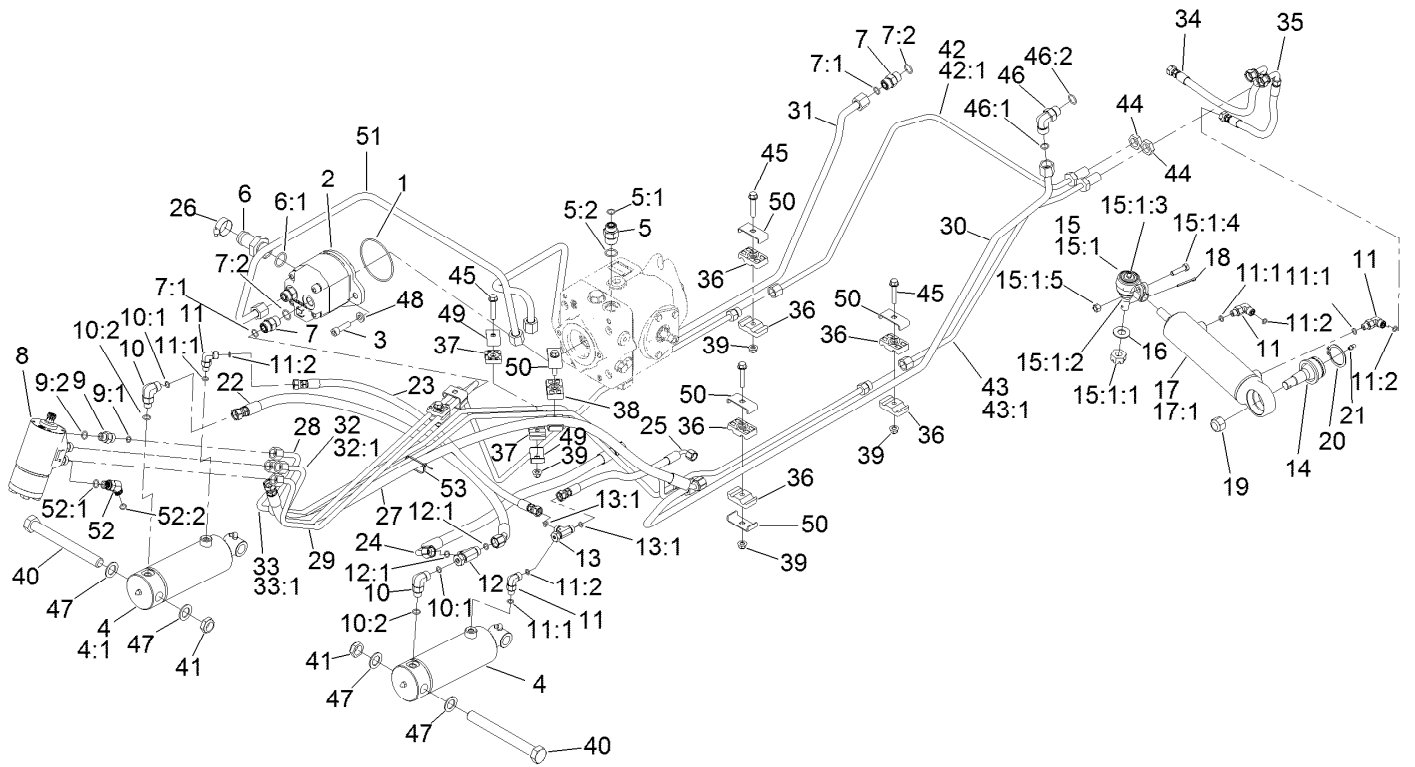
● Not serviced separately



Hydraulic Assembly (continued)

Ref.	Part Number	Qty.	Description	Ref.	Part Number	Qty.	Description
17	139-6277	1	Steering Cylinder	33	138-0336	1	Hydraulic Tube ASM
17:1	140-3120	1	Kit-Seal	33:1	237-22	1	O-Ring
18	3272-12	1	Pin-Cotter	34	115-0383	1	Hose ASM
19	3220-6	2	Nut-Jam	35	137-2584	1	Hose ASM
20	32151-104	1	Ring-Retaining, External	36	56-7972	8	Clamp-Tube
21	302-5	1	Fitting-Grease	37	56-7973	4	Clamp-Tube
22	137-5844	1	Hose ASM	38	56-7970	2	Clamp-Tube
23	137-5845	1	Hose ASM	39	104-8300	7	Nut-HF, NI
24	137-5846	1	Hose ASM	40	328-23	2	Screw-HH
25	137-5847	1	Hose ASM	41	HDW02059	2	Nut-Hex
26	2412-34	1	Clamp-Hose	42	138-0343	1	Hydraulic Tube ASM
27	140-3097	1	Hose ASM	42:1	237-22	1	O-Ring
28	138-0331	1	Hydraulic Tube ASM	43	138-0344	1	Hydraulic Tube ASM
29	138-0332	1	Hydraulic Tube ASM	43:1	237-22	1	O-Ring
30	138-7448	1	Hydraulic Tube ASM	44	340-70	2	Nut-Lock
31	138-7447	1	Hydraulic Tube ASM	45	3230-5	7	Bolt-CARR
32	138-0333	1	Hydraulic Tube ASM	46	340-98	1	Fitting-Elbow, 90 DEG
32:1	237-22	1	O-Ring	46:1	237-79	1	O-Ring

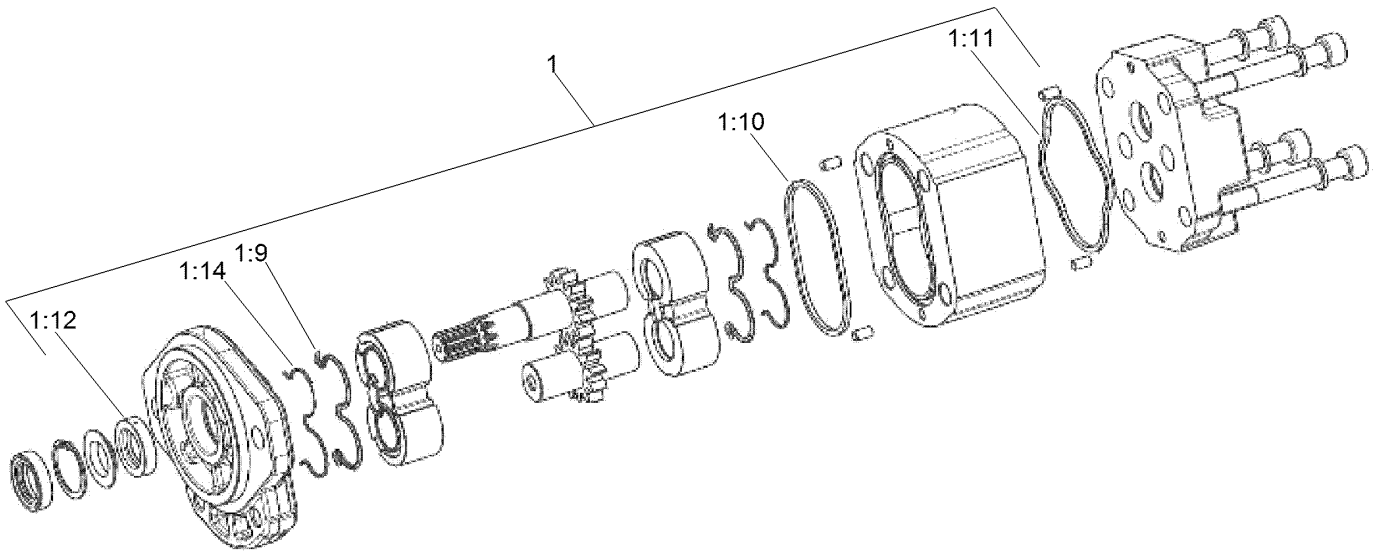
● Not serviced separately



Hydraulic Assembly (continued)

<i>Ref.</i>	<i>Part Number</i>	<i>Qty.</i>	<i>Description</i>	<i>Ref.</i>	<i>Part Number</i>	<i>Qty.</i>	<i>Description</i>
46:2	237-30	1	O-Ring	51	138-0342	1	Hydraulic Tube ASM
47	126-7888	4	Washer-Nylon	52	340-87	1	Fitting-Elbow, 45 DEG
48	139-6293	2	Washer	52:1	237-22	1	O-Ring
49	119-1418	4	Plate-Clamp, Short	52:2	237-42	1	O-Ring
50	119-1419	8	Plate-Clamp	53	3290-378	1	Tie-Cable

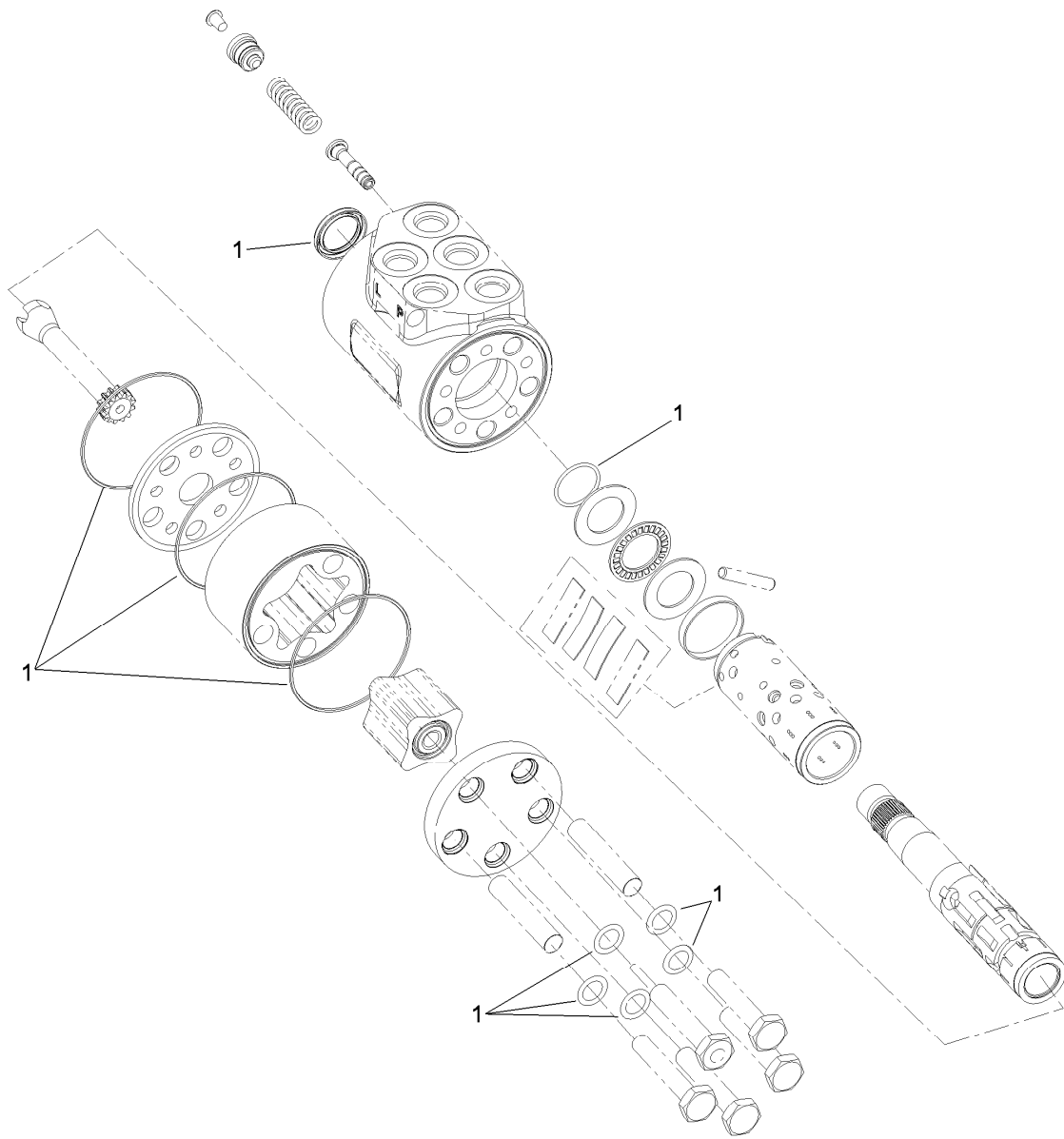
● Not serviced separately



Gear Pump Assembly No. 138-0321

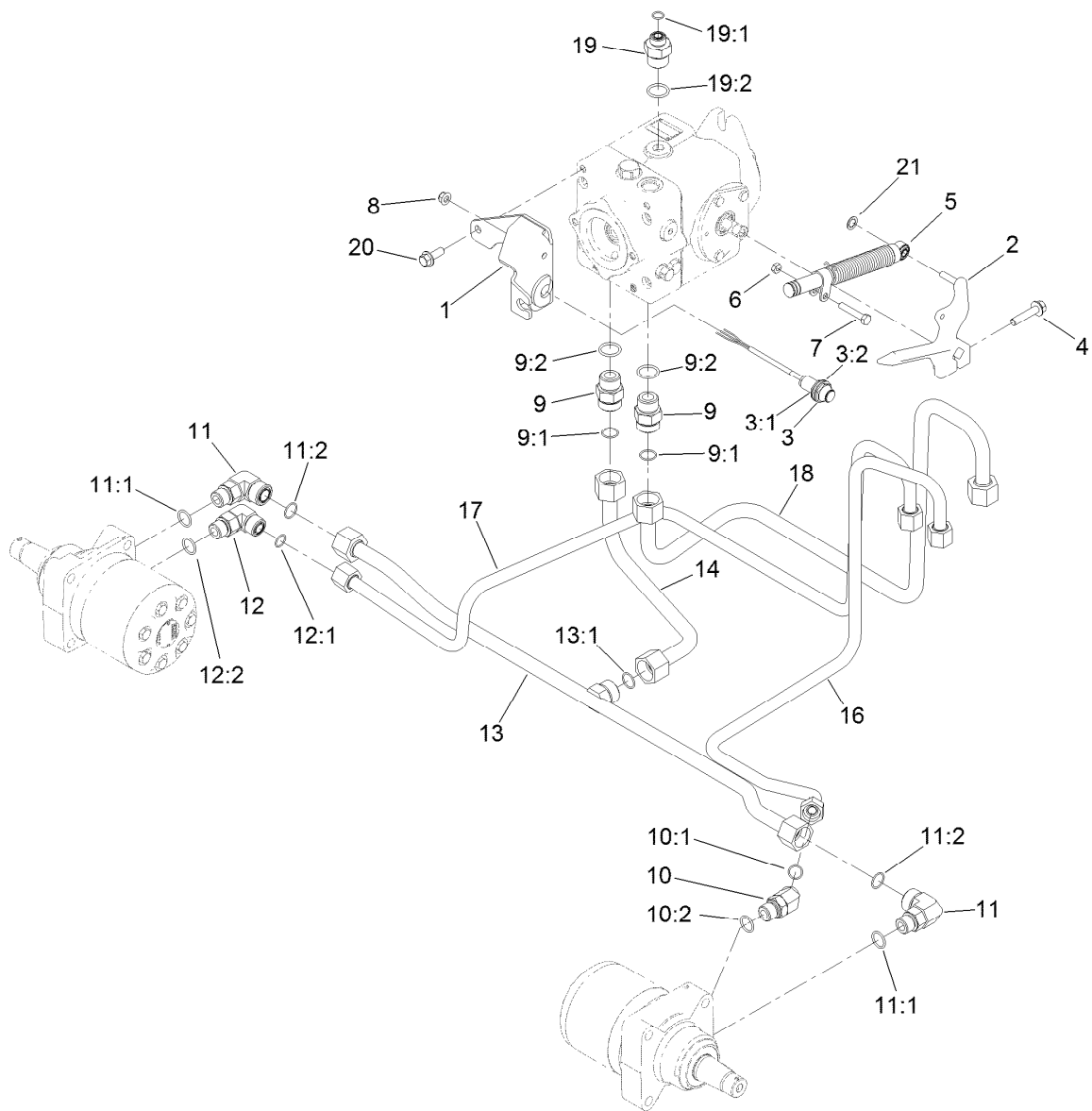
<i>Ref.</i>	<i>Part Number</i>	<i>Qty.</i>	<i>Description</i>
1	139-6299	1	Kit-Seal
1:9		1	Seal ●
1:10		1	Seal-Standard ●
1:11		1	Seal-Square ●
1:12		1	Seal-Shaft ●
1:14		1	Anti Extrusion ●

● Not serviced separately



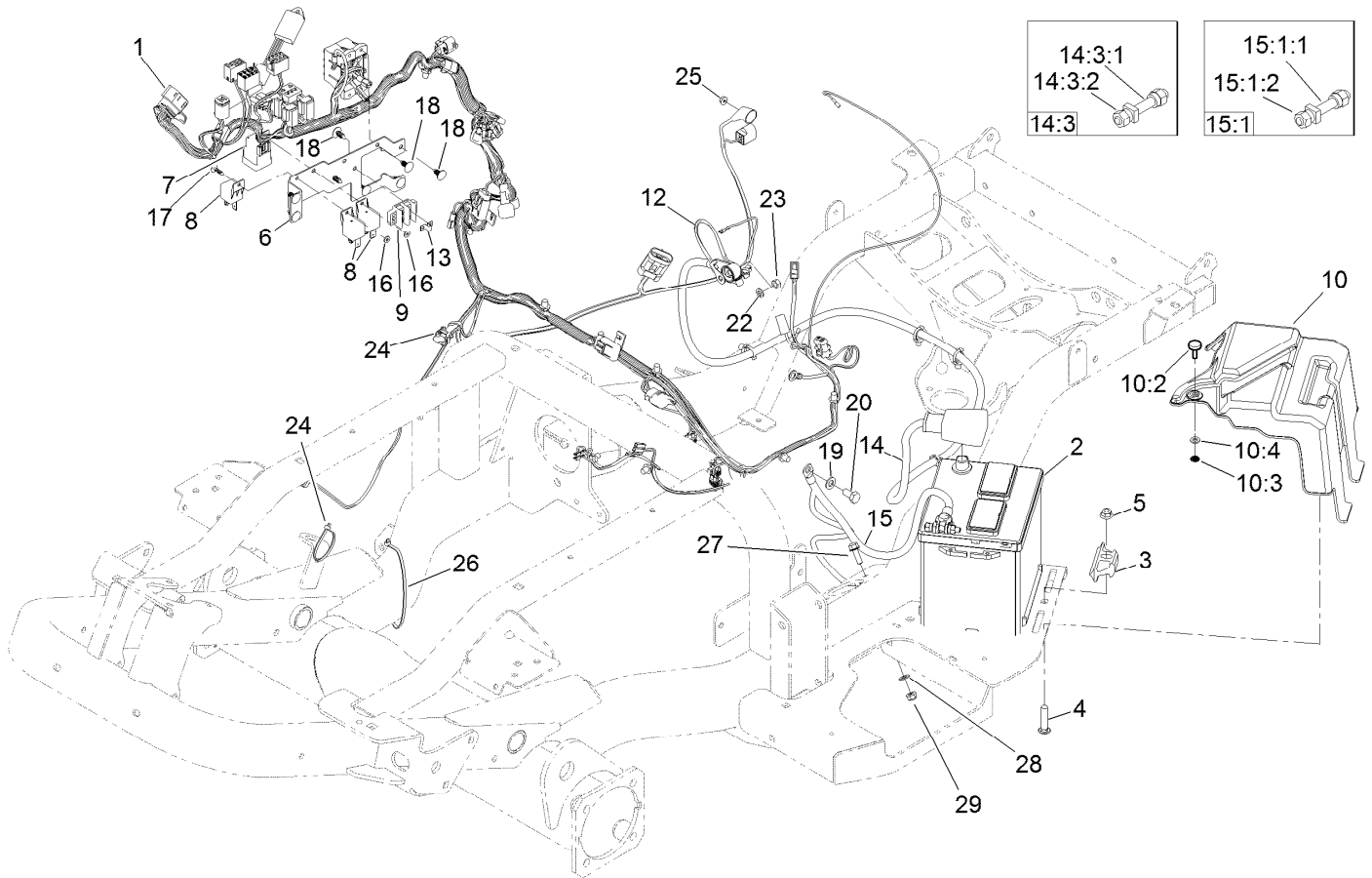
Steering Valve Assembly No. 114-8119

<i>Ref.</i>	<i>Part Number</i>	<i>Qty.</i>	<i>Description</i>
1	106-6716	1	Seal Kit



Traction Hydraulic Assembly

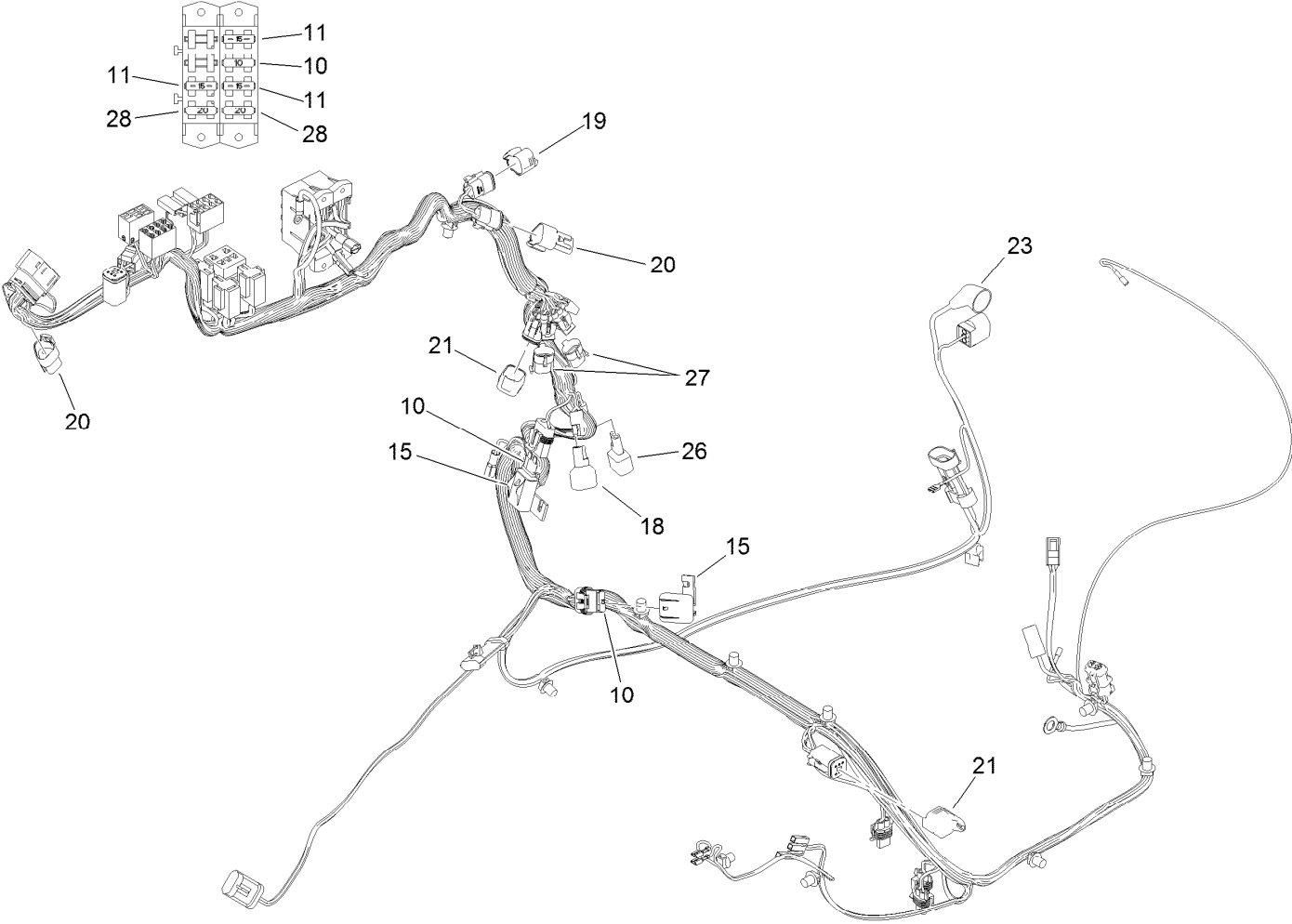
Ref.	Part Number	Qty.	Description	Ref.	Part Number	Qty.	Description
1	139-6195-0P	1	Bracket-Cable Support [primed]	11:1	237-80	1	O-Ring
2	138-6378	1	Lever-Pump	11:2	237-58	1	O-Ring
3	115-5300	1	Proximity Switch ASM	12	340-17	1	Fitting-Elbow, 90 DEG
3:1	117-3207	2	Nut-Hex	12:1	237-65	1	O-Ring
3:2	117-3208	2	Washer-Lock, Internal Tooth	12:2	237-80	1	O-Ring
4	3234-19	1	Screw-HHF	13	138-0340	1	Hydraulic Tube ASM
5	138-4467	1	Damper	13:1	237-58	1	O-Ring
6	3218-2	1	Nut-Jam	14	138-0341	1	Hydraulic Tube ASM
7	322-10	1	Screw-HH	16	138-0345	1	Hydraulic Tube ASM
8	104-8300	1	Nut-HF, NI	17	138-0346	1	Hydraulic Tube ASM
9	340-9	2	Fitting-STR	18	138-0339	1	Hydraulic Tube ASM
9:1	237-58	1	O-Ring	19	100-4240	1	Fitting-STR
9:2	237-81	1	O-Ring	19:1	237-30	1	O-Ring
10	340-14	1	Fitting-HYD, 45 DEG	19:2	237-81	1	O-Ring
10:1	237-65	1	O-Ring	20	3234-42	2	Screw-HHF
10:2	237-80	1	O-Ring	21	32151-72	1	Ring-Retaining
11	340-16	2	Fitting-HYD, 90 DEG				



Electrical Assembly

<i>Ref.</i>	<i>Part Number</i>	<i>Qty.</i>	<i>Description</i>	<i>Ref.</i>	<i>Part Number</i>	<i>Qty.</i>	<i>Description</i>
1	122-1657	1	Harness-Wire	14:3:2	32180-108	2	Nut-Clamp, Battery
2	106-5187	1	Battery, 525 CCA W/O Electrolyte	15	122-1276	1	Negative Battery Cable ASM
3	138-6335	1	Retainer-Battery	15:1	112-9921	1	Bolt ASM
4	3231-29	1	Screw-CARR	15:1:1	32180-107	1	Bolt-Clamp, Battery
5	104-8301	1	Nut-HF, NI	15:1:2	32180-108	2	Nut-Clamp, Battery
6	138-7467-0P	1	Bracket-Electrical	16	3256-21	2	Washer-Flat
7	99-7430	1	Relay-Mini	17	125-8067	2	Plug-Plastic
8	99-7435	3	Relay	18	117-2382	8	Plug-Plastic
9	42862	1	Block-Terminal, Ground	19	33095-00	1	Washer-Flat
10	140-9010	1	Battery Cover ASM	20	33115-020	1	Screw-HH
10:2	140-9033	1	Knob-Stud	22	3253-4	1	Washer-Lock
10:3	32115-15	1	Nut-Push	23	33014-00	1	Nut-Hex
10:4	3256-22	1	Washer-Flat	24	3290-378	2	Tie-Cable
12	99-3441	1	Harness-Wire, Fusible Link	25	33003-00	1	Nut-HF
13	42863	1	Strip-Jumper	26	3290-379	1	Tie-Cable
14	122-1275	1	Positive Battery Cable ASM	27	3234-29	1	Screw-HHF
14:3	112-9921	1	Bolt ASM	28	120-9683	1	Washer-Plain
14:3:1	32180-107	1	Bolt-Clamp, Battery	29	104-8300	1	Nut-HF, NI

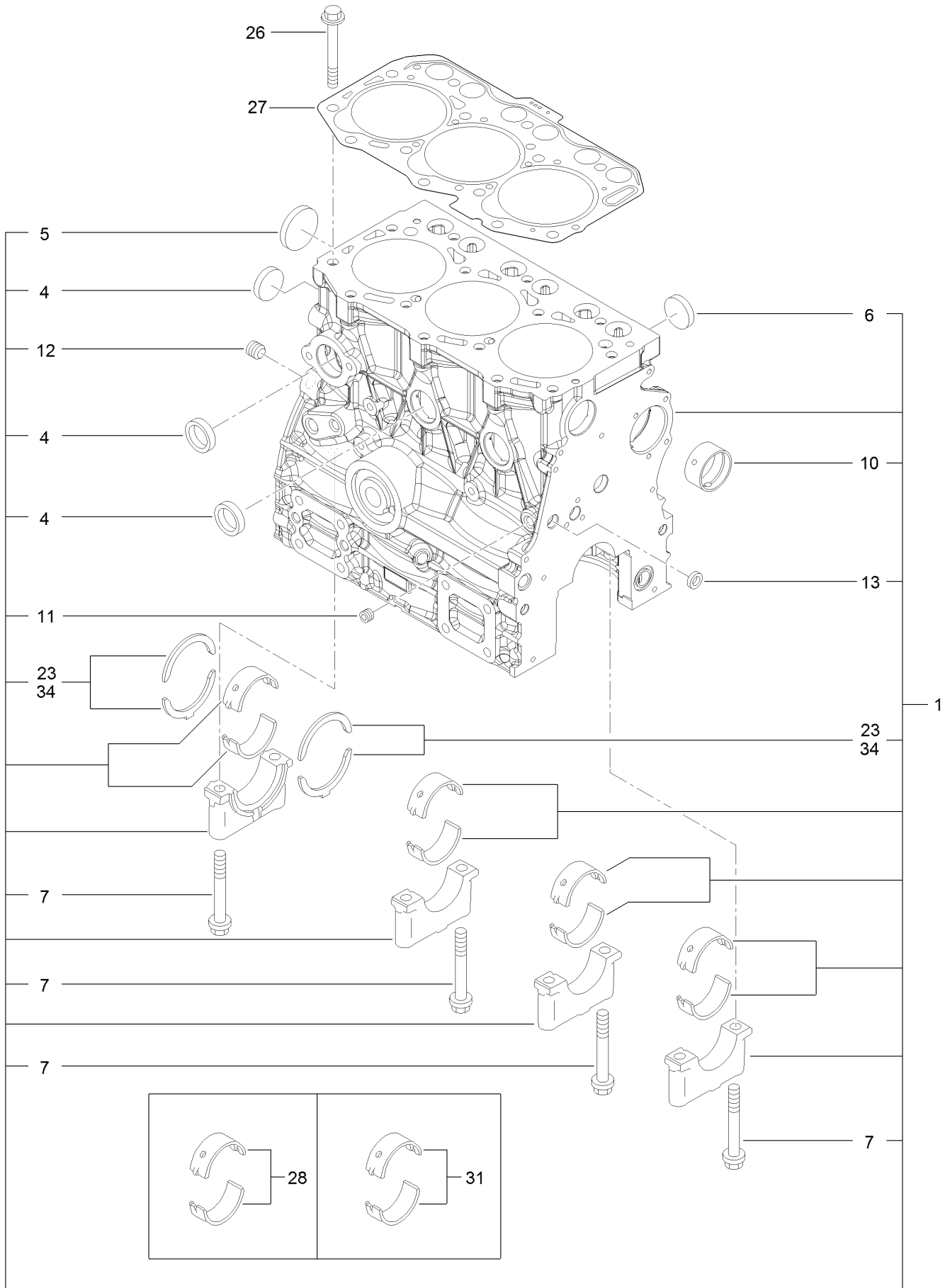
Wire Harness Assembly No. 122-1657



Wire Harness Assembly No. 122-1657 (continued)

<i>Ref.</i>	<i>Part Number</i>	<i>Qty.</i>	<i>Description</i>	<i>Ref.</i>	<i>Part Number</i>	<i>Qty.</i>	<i>Description</i>
10	218-578	3	Fuse-Blade, 10 Amp	21	32180-156	2	Cap-Plug, 6 Way
11	109355	3	Fuse-Blade, 15 Amp	23	32180-017	1	Insulator-Terminal, Black
15	32180-019	2	Cover-Fuse, Single	26	104-4022	1	Resistor-75 Ohm
18	108-9493	1	Diode-Tvs	27	32180-056	2	Cap
19	32180-089	1	Cap-Plug, 3 Way	28	109101	2	Fuse-Blade, 20 Amp
20	32180-043	2	Resistor-120 Ohm				

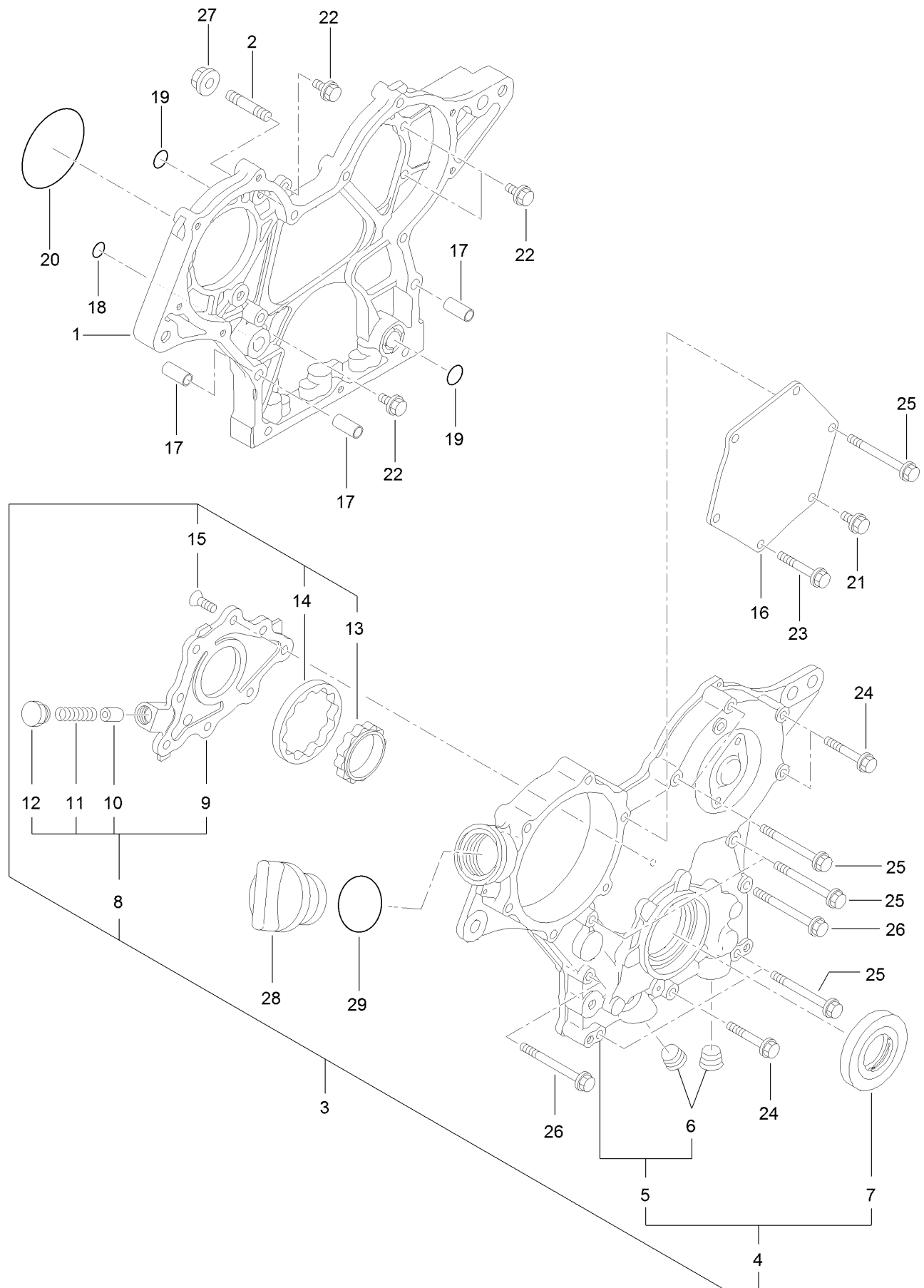
Cylinder Block Assembly



Cylinder Block Assembly (continued)

<i>Ref.</i>	<i>Part Number</i>	<i>Qty.</i>	<i>Description</i>	<i>Ref.</i>	<i>Part Number</i>	<i>Qty.</i>	<i>Description</i>
1	135-4030	1	Cylinder Block ASM	13	125-7237	1	Plug
4	135-4031	4	Plug-Cup	23	135-4036	2	Thrust Bearing ASM
5	135-4032	1	Plug-Dish	26	135-4037	14	Bolt-Head, Cylinder
6	135-4033	3	Plug-Cup	27	135-4038	1	Head Gasket Set
7	135-4034	8	Bolt-Cap	28	135-4039	1	Main Bearing ASM
10	135-4035	1	Bushing-Camshaft	31	135-4040	2	Main Bearing ASM
11	125-6969	1	Plug	34	135-4041	2	Bearing-Thrust
12	125-6973	1	Plug				

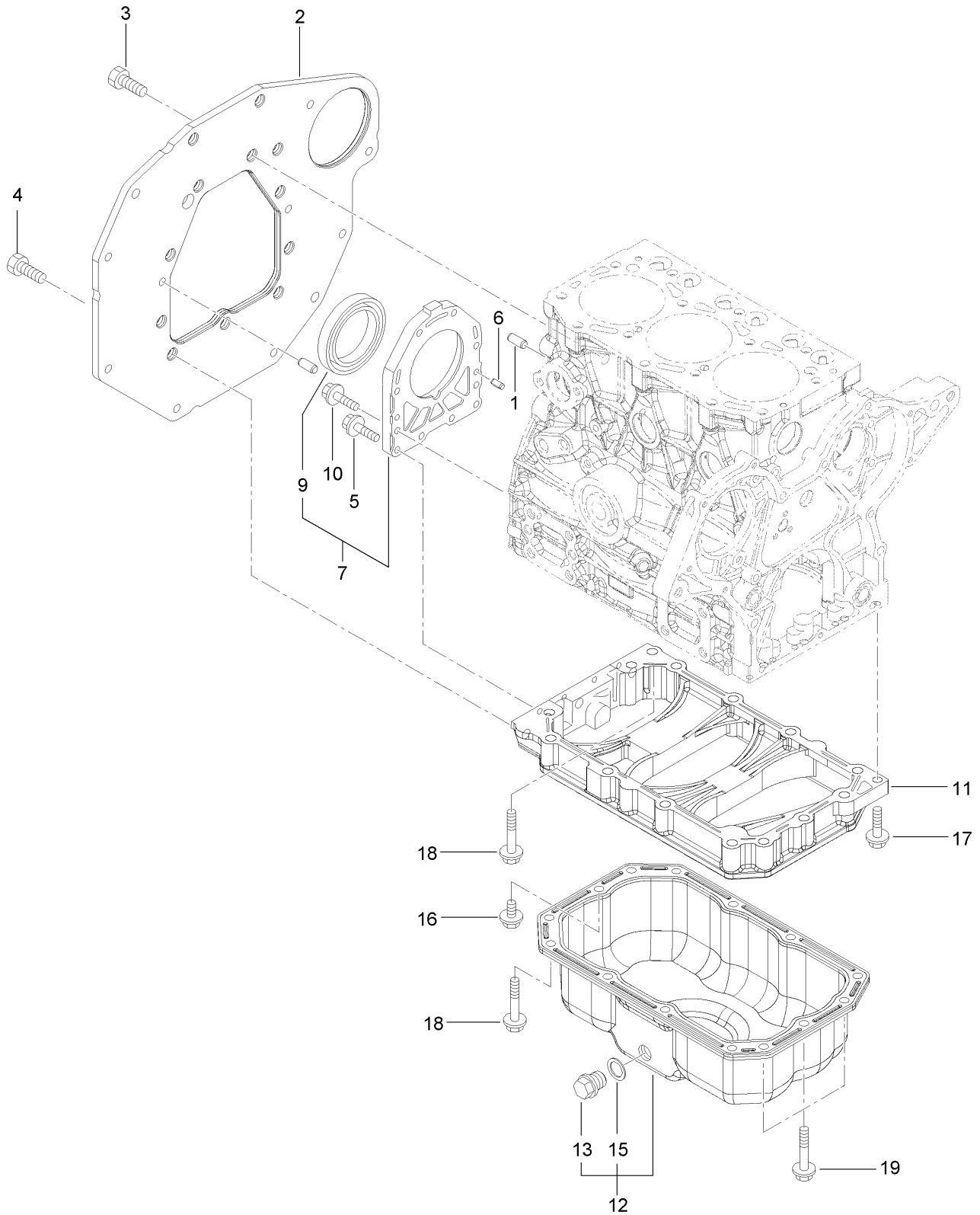
Gear Housing Assembly



Gear Housing Assembly (continued)

<i>Ref.</i>	<i>Part Number</i>	<i>Qty.</i>	<i>Description</i>	<i>Ref.</i>	<i>Part Number</i>	<i>Qty.</i>	<i>Description</i>
1	135-4042	1	Case-Gear	16	135-4056	1	Cover-Pump
2	135-4043	3	Bolt-Stud	17	135-4057	4	Dowel-Pipe
3	135-4044	1	Gear Case Cover ASM	18	127-2973	1	O-Ring
4	135-4045	1	Gear Case Cover ASM	19	135-4058	3	O-Ring
5	135-4046	1	Cover-Case, Gear	20	125-6957	1	O-Ring
6	133-6798	2	Plug	21	125-7206	1	Bolt
7	135-4047	1	Seal-Oil	22	125-7208	4	Bolt
8	135-4048	1	Cover ASM	23	125-7211	4	Bolt
9	135-4049	1	Cover-Pump	24	125-7211	3	Bolt
10	135-4050	1	Valve-Relief	25	135-4059	7	Bolt
11	135-4051	1	Spring	26	136-8257	2	Bolt
12	135-4052	1	Plug	27	125-7229	3	Nut
13	135-4053	1	Rotor-Inner	28	125-6972	1	Cover-Filler
14	135-4054	1	Rotor-Outer	29	125-7197	1	O-Ring
15	135-4055	8	Screw				

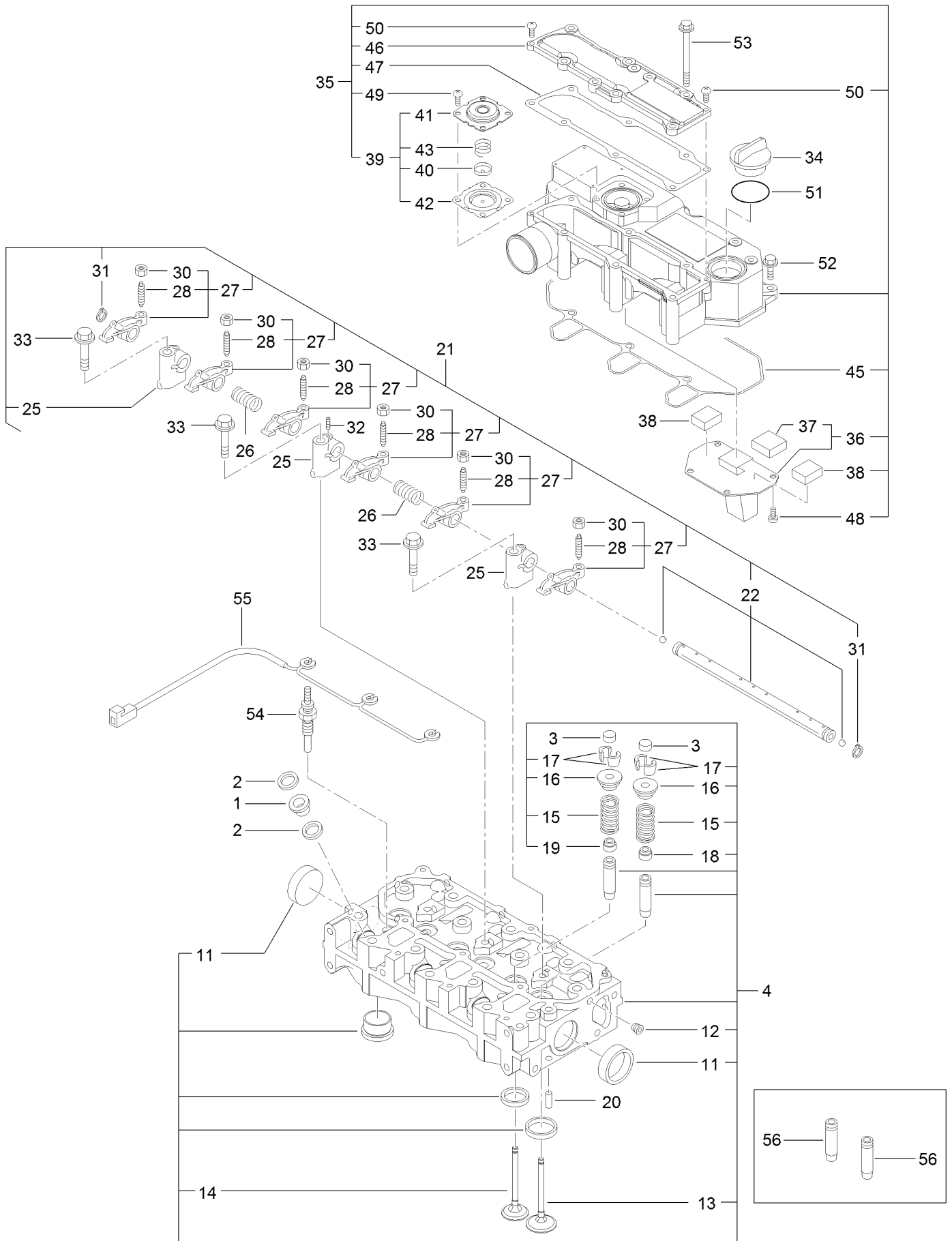
Mounting Flange and Oil Sump Assembly



Mounting Flange and Oil Sump Assembly (continued)

<i>Ref.</i>	<i>Part Number</i>	<i>Qty.</i>	<i>Description</i>	<i>Ref.</i>	<i>Part Number</i>	<i>Qty.</i>	<i>Description</i>
1	125-6995	2	Pin	11	135-4066	1	Spacer-Pan, Oil
2	140-7156	1	Flange-Mounting	12	134-1398	1	Oil Pan ASM
3	140-7181	9	Bolt	13	135-4068	1	Plug
4	125-7226	3	Bolt	15	136-8236	1	Washer-Seal
5	140-7152	4	Bolt	16	125-7212	1	Bolt
6	135-4062	2	Pin-Parallel	17	125-7216	1	Bolt
7	140-7160	1	Case Oil Seal ASM	18	125-7219	11	Bolt
9	135-4064	1	Seal-Oil	19	125-7220	3	Bolt
10	135-4065	6	Bolt				

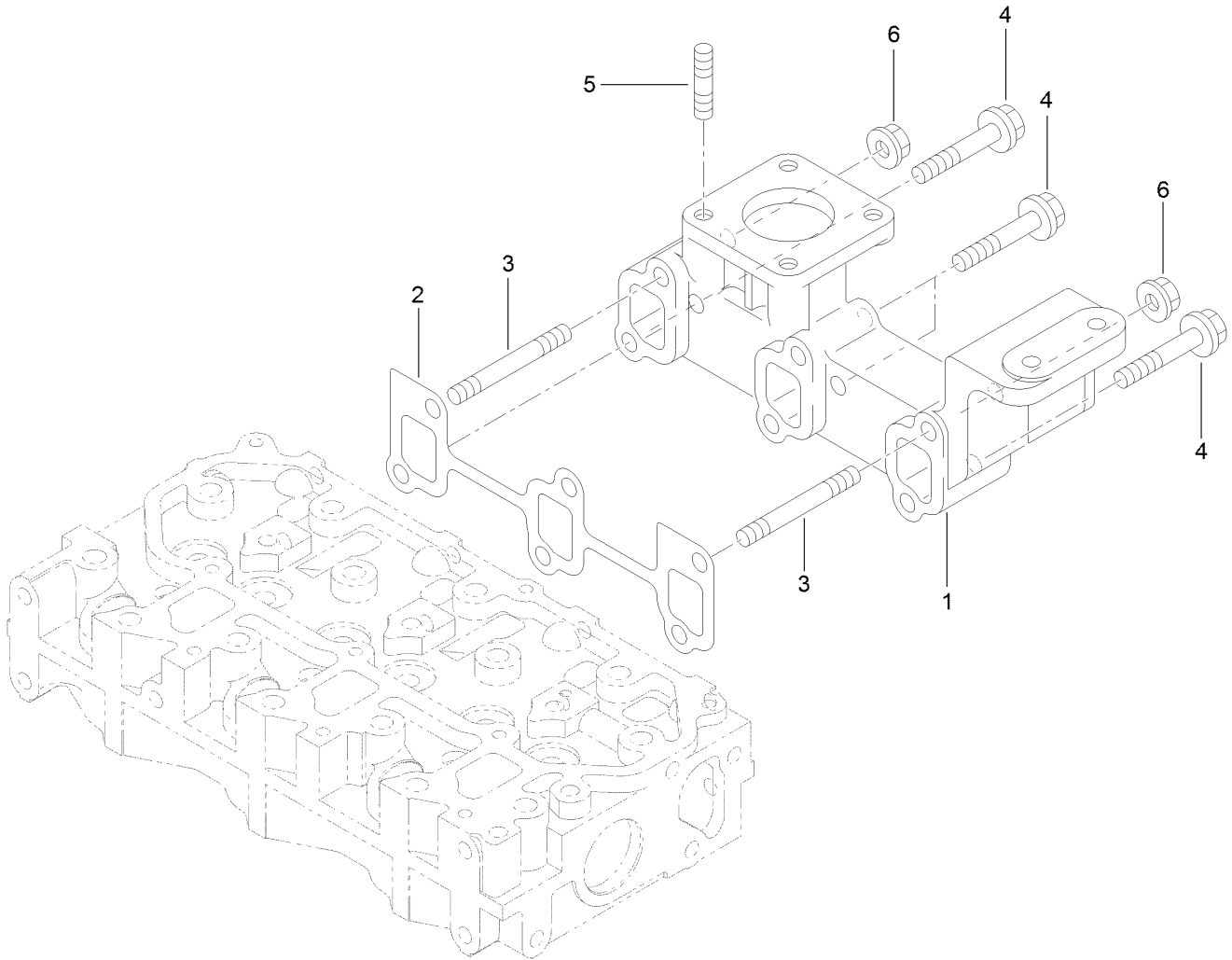
Cylinder Head and Cover Assembly



Cylinder Head and Cover Assembly (continued)

<i>Ref.</i>	<i>Part Number</i>	<i>Qty.</i>	<i>Description</i>	<i>Ref.</i>	<i>Part Number</i>	<i>Qty.</i>	<i>Description</i>
1	135-4069	3	Protector-Nozzle	34	125-6972	1	Cover-Filler
2	135-4070	6	Gasket-Nozzle	35	134-1402	1	Cylinder Head Cover ASM
3	135-4071	6	Cap-Valve	36	135-4085	1	Plate-Baffle
4	134-4001	1	Cylinder Head ASM	37	135-4086	1	Baffle-Breather
11	135-4073	2	Plug-Cup	38	135-4086	2	Baffle-Breather
12	133-6797	1	Plug	39	135-4088	1	Diaphragm ASM
13	135-4074	3	Valve-Suction	40	135-4089	1	Plate-Diaphragm
14	135-4075	3	Valve-Exhaust	41	135-4090	1	Cover-Diaphragm
15	135-4076	6	Spring-Valve	42	135-4091	1	Diaphragm
16	125-7054	6	Retainer	43	135-4092	1	Spring-Diaphragm
17	125-6914	12	Cotter	45	135-4093	1	Gasket-Cover, Cylinder Head
18	125-6915	3	Seal-Stem, Valve	46	134-1401	1	Cover-Head, Cylinder
19	125-6916	3	Seal-Stem, Valve	47	135-4095	1	Gasket
20	125-7184	2	Pin-Spring	48	125-7186	4	Screw
21	135-4077	1	Rocker Support ASM	49	125-7186	4	Screw
22	135-4078	1	Rocker Shaft ASM	50	127-3168	2	Screw
25	135-4079	3	Support-Arm, Rocker	51	125-7197	1	O-Ring
26	135-4080	2	Spring-Rocker	52	125-7209	3	Bolt
27	135-4081	6	Rocker Arm ASM	53	135-4096	6	Bolt
28	125-7013	6	Screw-Adjust, Valve	54	135-4291	3	Plug-Glow
30	125-7014	6	Nut	55	134-1443	1	Connector-Plug, Glow
31	135-7082	2	Ring	56	125-6917	6	Guide
32	135-4083	1	Screw				
33	125-7218	3	Bolt				

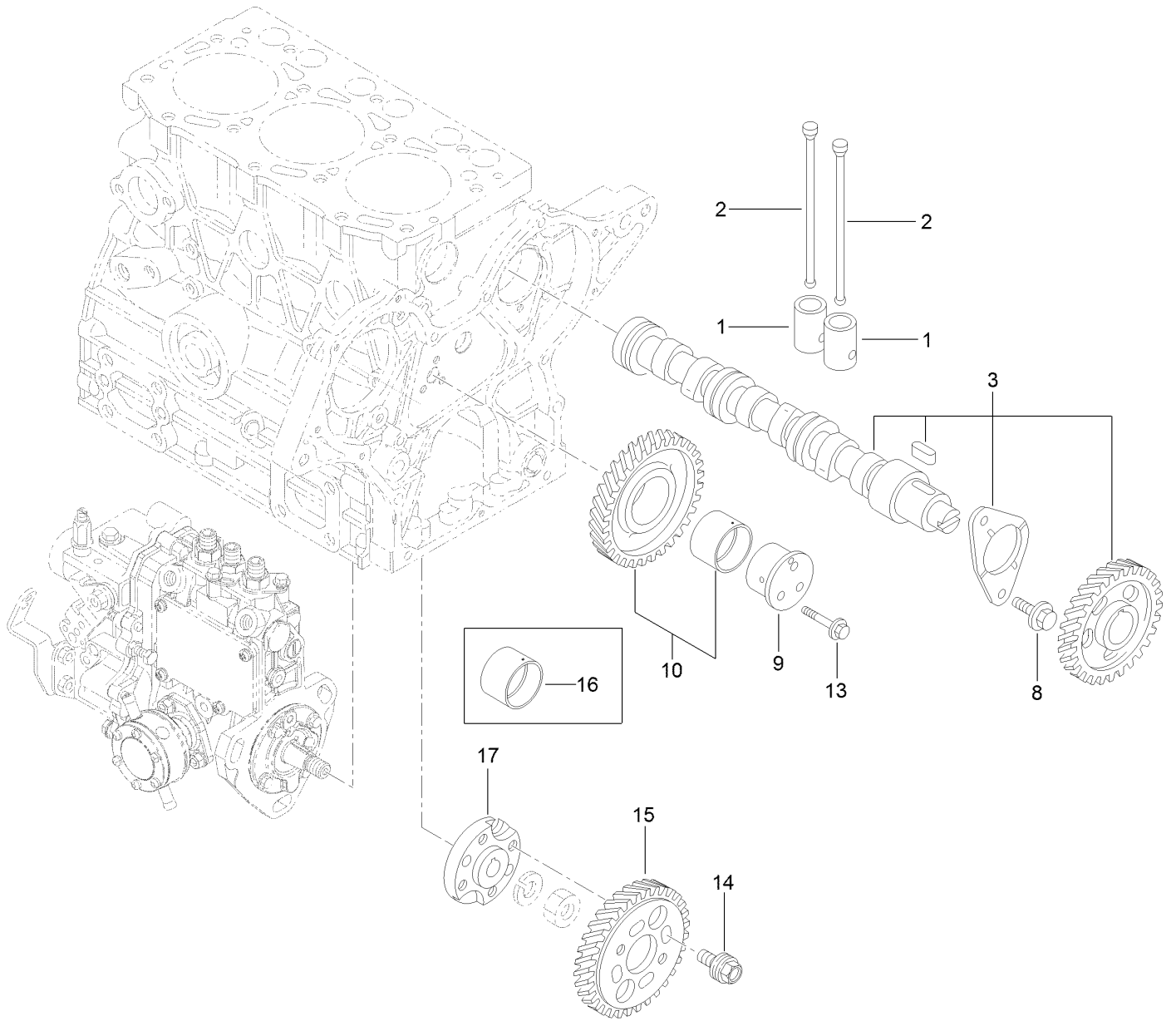
Exhaust Manifold Assembly



Exhaust Manifold Assembly (continued)

<i>Ref.</i>	<i>Part Number</i>	<i>Qty.</i>	<i>Description</i>	<i>Ref.</i>	<i>Part Number</i>	<i>Qty.</i>	<i>Description</i>
1	140-7161	1	Manifold-Exhaust	4	133-6714	4	Bolt
2	135-4107	1	Gasket-Manifold, Exhaust	5	125-6906	4	Stud
3	134-1404	2	Bolt-Stud	6	125-7229	2	Nut

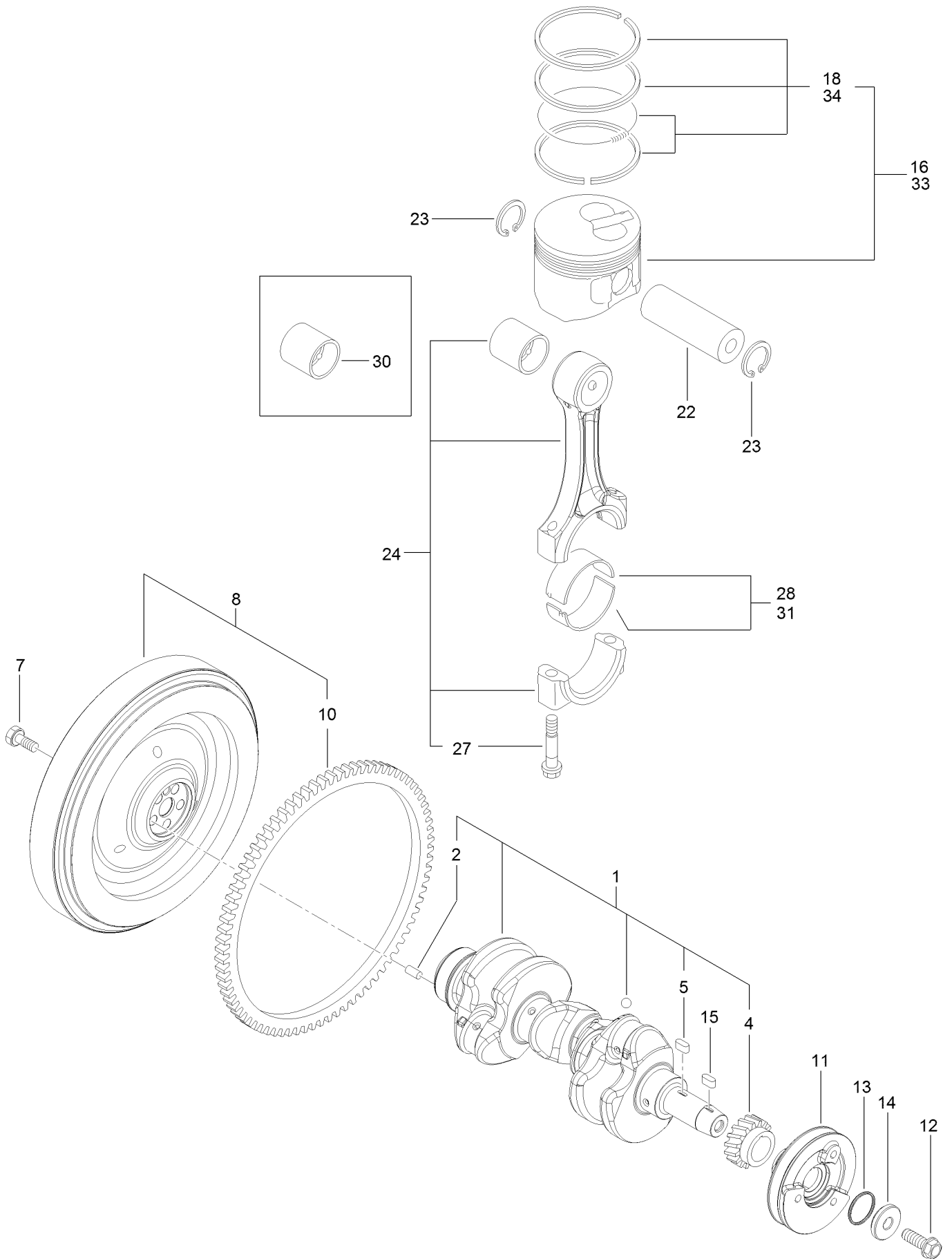
Camshaft and Driving Gear Assembly



Camshaft and Driving Gear Assembly (continued)

<i>Ref.</i>	<i>Part Number</i>	<i>Qty.</i>	<i>Description</i>	<i>Ref.</i>	<i>Part Number</i>	<i>Qty.</i>	<i>Description</i>
1	135-4108	6	Tappet	13	135-4147	3	Bolt
2	135-4109	6	Push-Rod	14	125-7020	4	Bolt
3	135-4110	1	Camshaft ASM	15	135-4148	1	Gear-Pump
8	125-7206	2	Bolt	16	135-4149	1	Bushing-Gear, Idle
9	135-4145	1	Shaft-Idle	17	135-4150	1	Flange
10	135-4146	1	Idle Gear ASM				

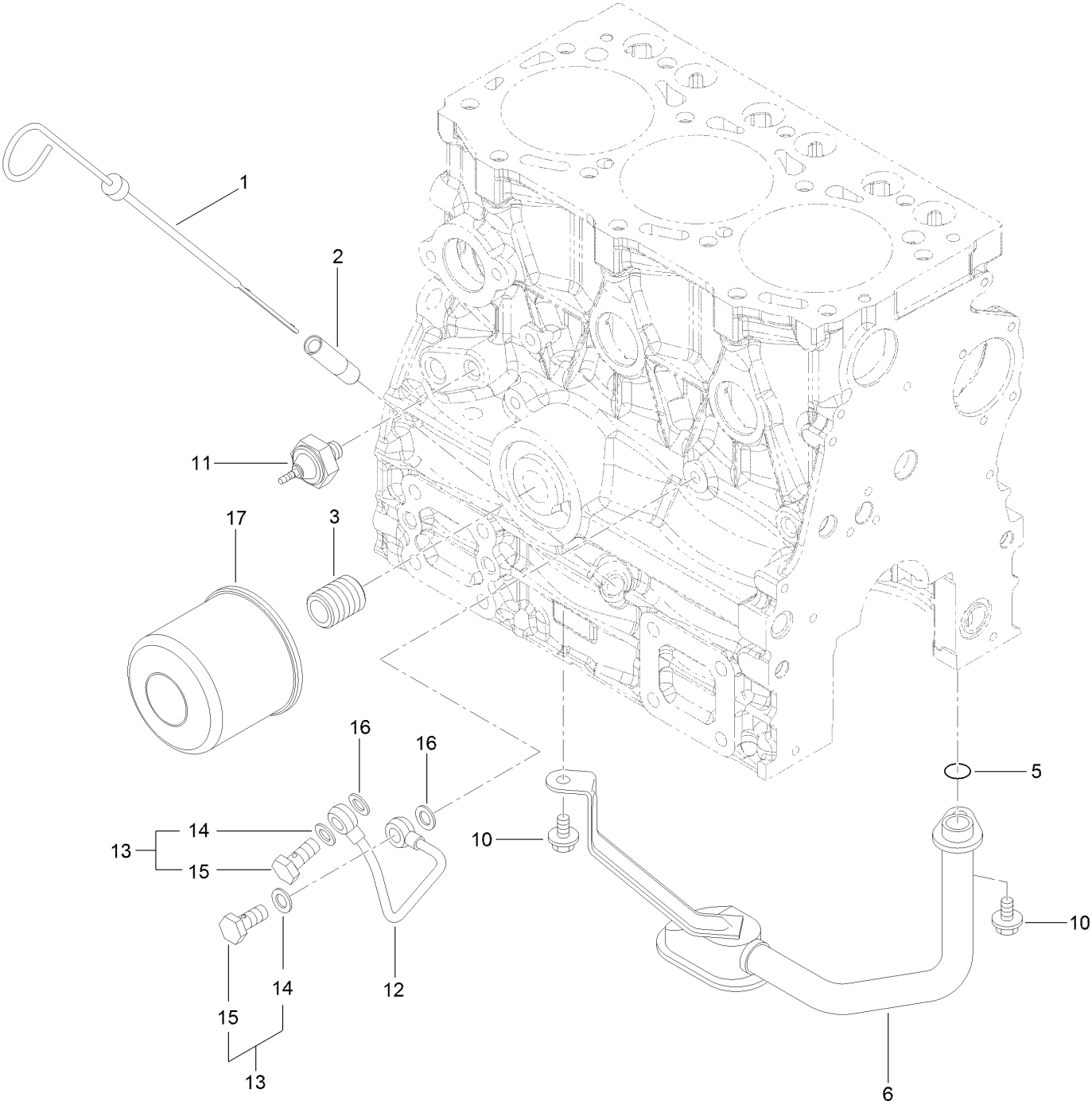
Crankshaft and Piston Assembly



Crankshaft and Piston Assembly (continued)

<i>Ref.</i>	<i>Part Number</i>	<i>Qty.</i>	<i>Description</i>	<i>Ref.</i>	<i>Part Number</i>	<i>Qty.</i>	<i>Description</i>
1	135-4152	1	Crankshaft ASM	16	135-4163	3	Piston ASM
2	125-6995	1	Pin	18	135-4164	3	Ring ASM
4	135-4153	1	Gear-Crankshaft	22	135-4165	3	Pin-Piston
5	135-4154	1	Key	23	135-4166	6	Ring
7	125-6951	5	Bolt	24	134-4005	3	Connecting Rod ASM
8	140-7164	1	Flywheel ASM	27	135-4168	6	Bolt-Rod, Connecting
10	125-6943	1	Gear	28	135-4169	3	Bearing-Pin, Crank
11	135-4158	1	V-Pulley, Crankshaft	30	134-4006	3	Bushing-Pin, Piston
12	135-4159	1	Bolt-Flange	31	135-4171	3	Bearing-Pin (0.25)
13	134-4004	1	Packing-Washer	33	134-4007	3	Piston ASM (0.25 Os)
14	135-4161	1	Washer	34	135-4173	3	Ring ASM
15	135-4154	1	Key				

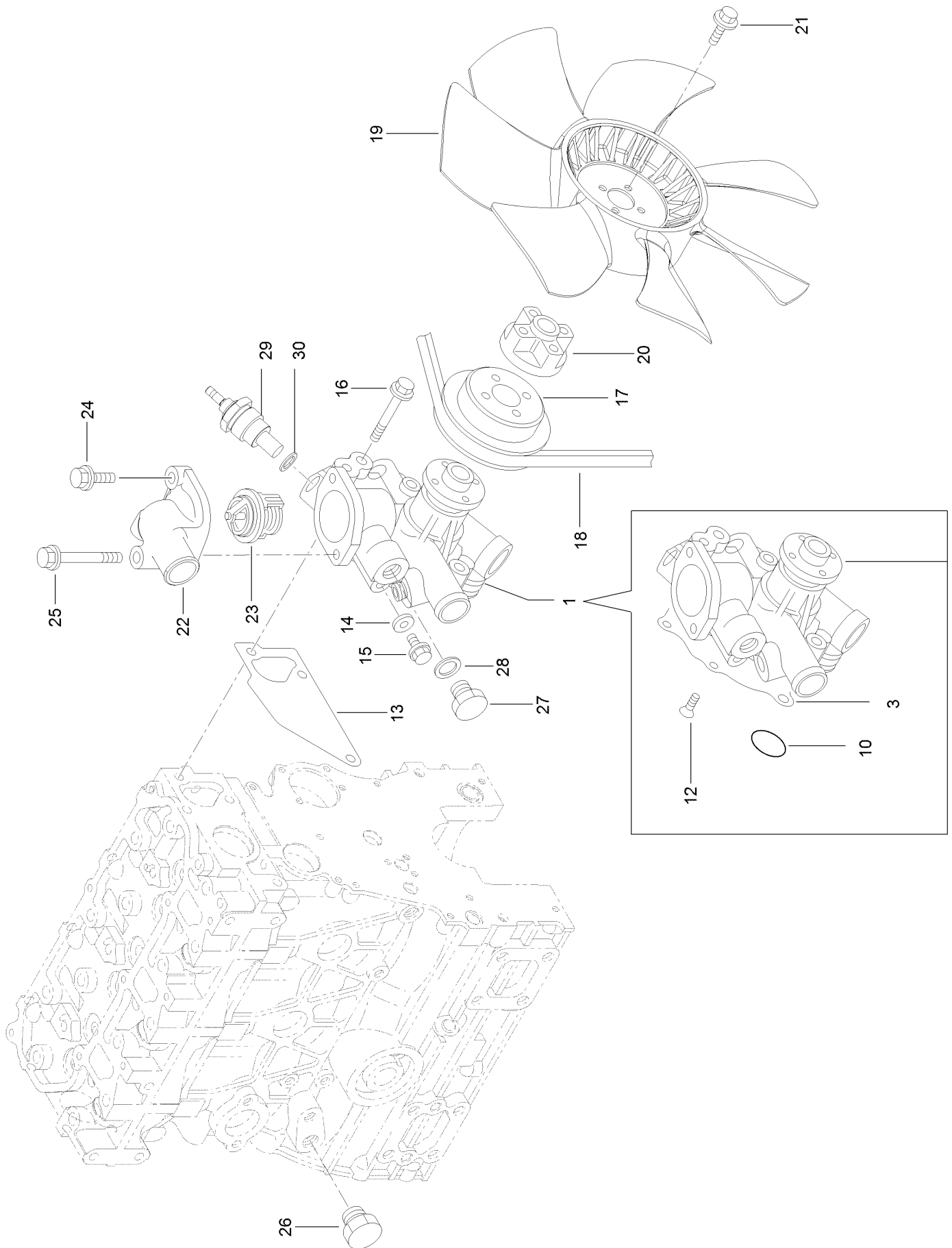
Lubrication and Oil System Assembly



Lubrication and Oil System Assembly (continued)

<i>Ref.</i>	<i>Part Number</i>	<i>Qty.</i>	<i>Description</i>	<i>Ref.</i>	<i>Part Number</i>	<i>Qty.</i>	<i>Description</i>
1	134-1413	1	Dipstick	12	135-4182	1	Pipe-Oil
2	125-6954	1	Guide-Dipstick	13	125-6988	2	Joint Bolt ASM
3	134-4008	1	Stud	14	125-7174	2	Washer-Seal
5	135-4178	1	O-Ring	15	125-7194	2	Bolt-Joint
6	134-1414	1	Oil Inlet Pipe ASM	16	125-7174	2	Washer-Seal
10	125-7205	2	Bolt	17	135-4181	1	Filter-Oil, Engine
11	134-1377	1	Switch-Hydraulic				

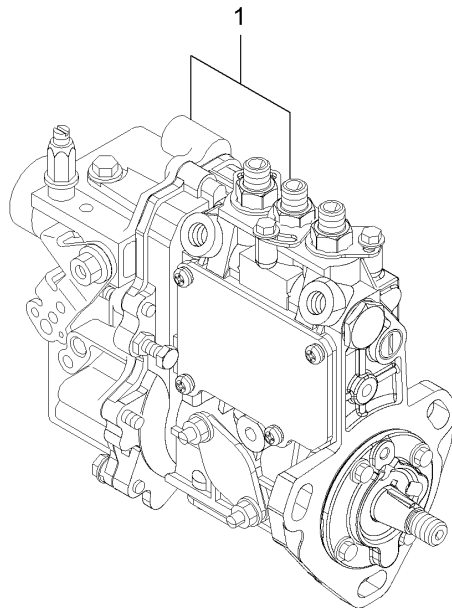
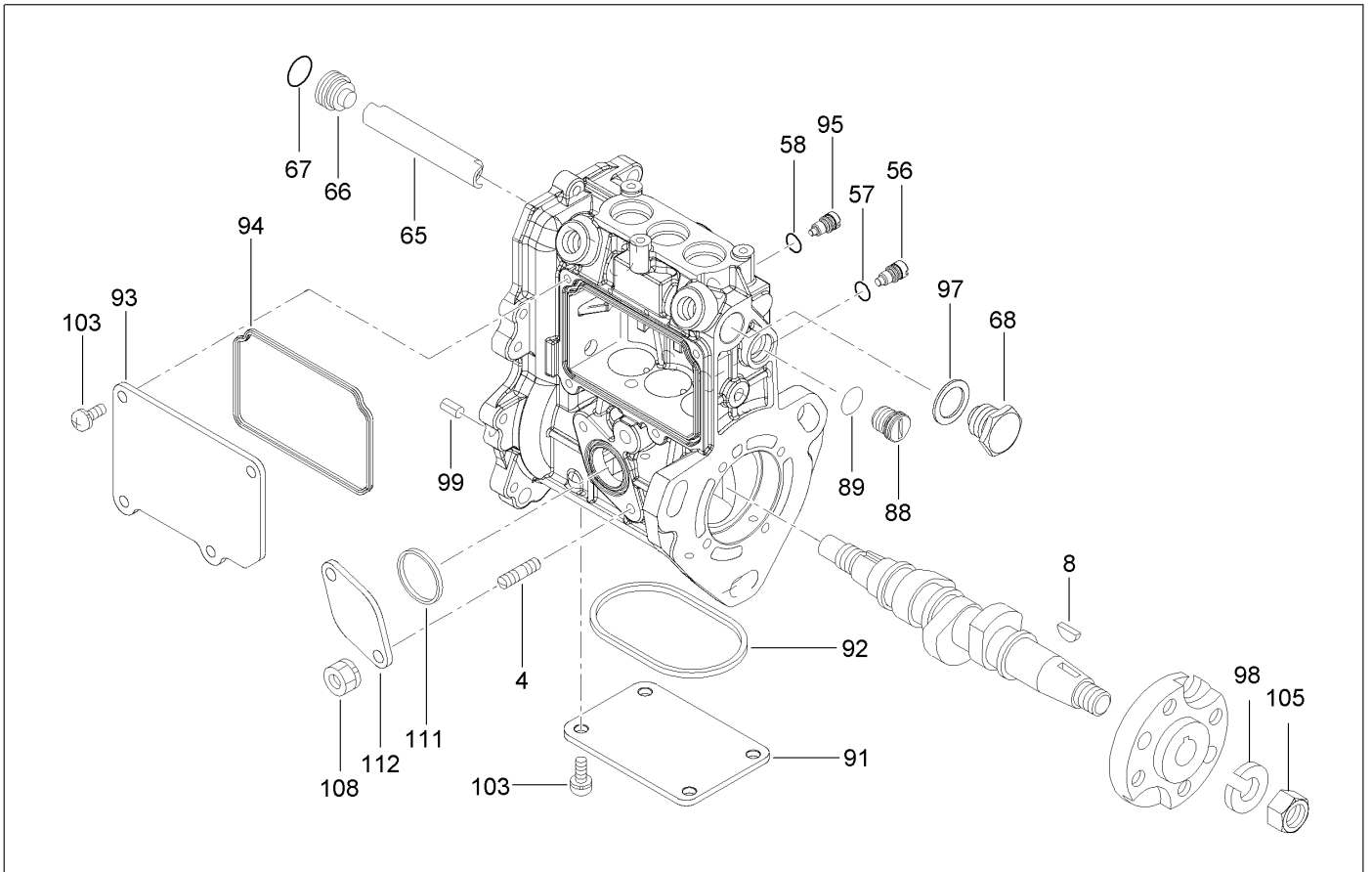
Cooling Water System Assembly



Cooling Water System Assembly (continued)

<i>Ref.</i>	<i>Part Number</i>	<i>Qty.</i>	<i>Description</i>	<i>Ref.</i>	<i>Part Number</i>	<i>Qty.</i>	<i>Description</i>
1	134-4009	1	CW Pump ASM	20	131-2705	1	Spacer
3	135-4188	1	Gasket	21	131-2739	4	Bolt
10	135-4190	1	O-Ring	22	135-4199	1	Cover-Thermostat
12	133-2504	4	Screw	23	135-4200	1	Thermostat
13	135-4193	1	Gasket-Pump, Water	24	135-4201	1	Bolt
14	125-7192	1	Gasket	25	135-4202	1	Bolt
15	125-7212	1	Bolt	26	125-7171	1	Plug-Drain
16	125-7220	3	Bolt	27	125-6953	1	Plug
17	134-1417	1	V-Pulley	28	125-6979	1	Gasket
18	140-7179	1	V-Belt	29	134-3128	1	Sensor-Temperature
19	140-7157	1	Fan-Cooling	30	134-4010	1	Gasket

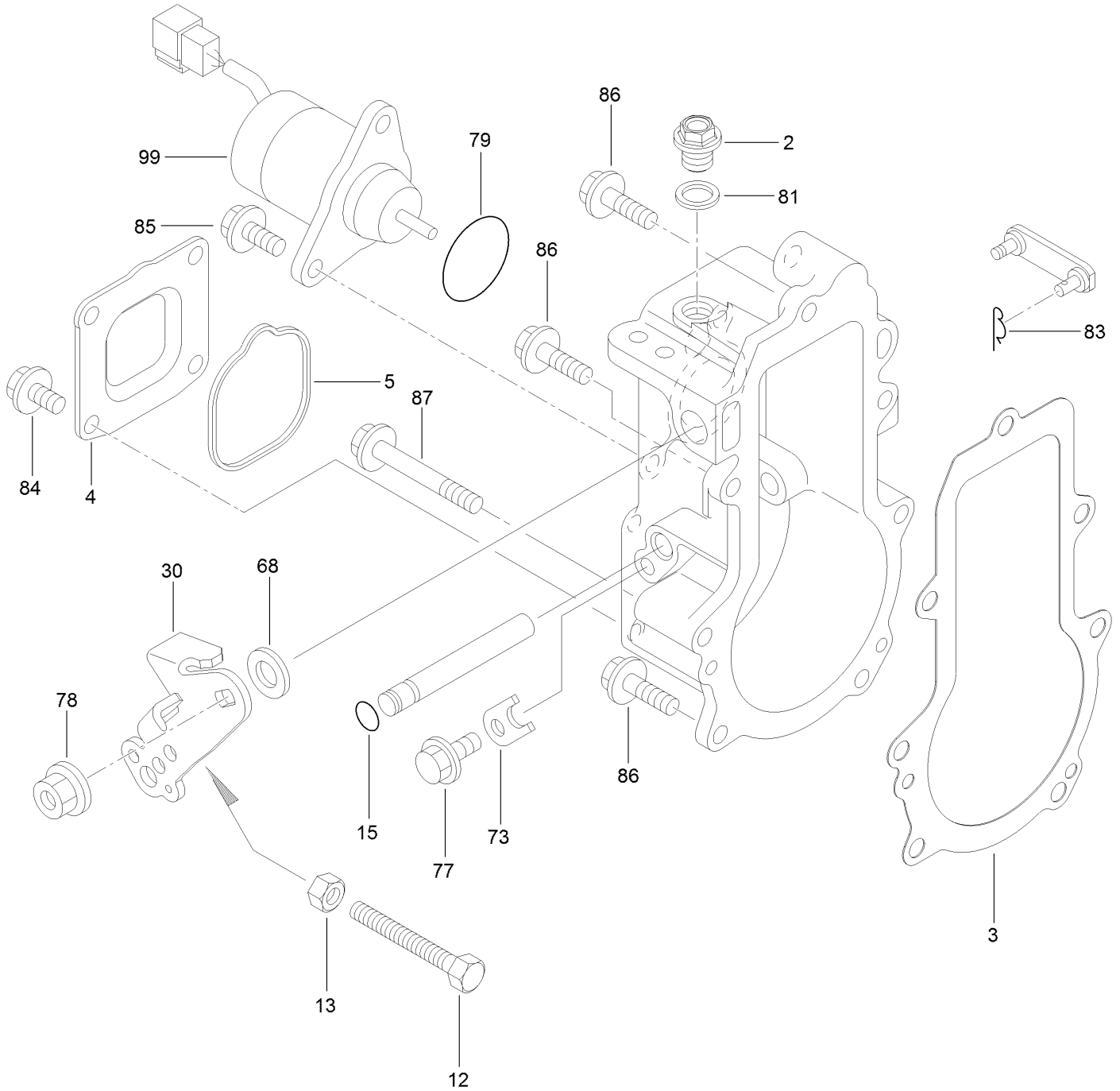
Fuel Injection Pump Assembly



Fuel Injection Pump Assembly (continued)

<i>Ref.</i>	<i>Part Number</i>	<i>Qty.</i>	<i>Description</i>	<i>Ref.</i>	<i>Part Number</i>	<i>Qty.</i>	<i>Description</i>
1	140-7183	1	Fuel Injection Equipment ASM	91	135-4215	1	Cover
4	135-4205	2	Bolt-Stud	92	135-4216	1	Gasket
8	135-4206	1	Key-Feather, Woodruff	93	135-4217	1	Cover
56	125-7156	3	Stopper	94	135-4218	1	Gasket
57	135-4207	3	O-Ring	95	135-4219	1	Stopper-Rack
58	135-4207	1	O-Ring	97	136-8236	1	Washer-Seal
65	135-4209	1	Deflector	98	135-4220	1	Washer-Spring
66	135-4210	1	Plug-Deflector	99	125-7183	2	Pin-Spring
67	135-4211	1	O-Ring	103	135-4221	8	Screw
68	135-4212	1	Plug-Deflector	105	133-2506	1	Nut
88	135-4213	1	Plug-Rack	108	135-4222	2	Nut
89	135-4214	1	O-Ring	111	135-4223	1	Gasket
				112	135-4224	1	Cover-Pump

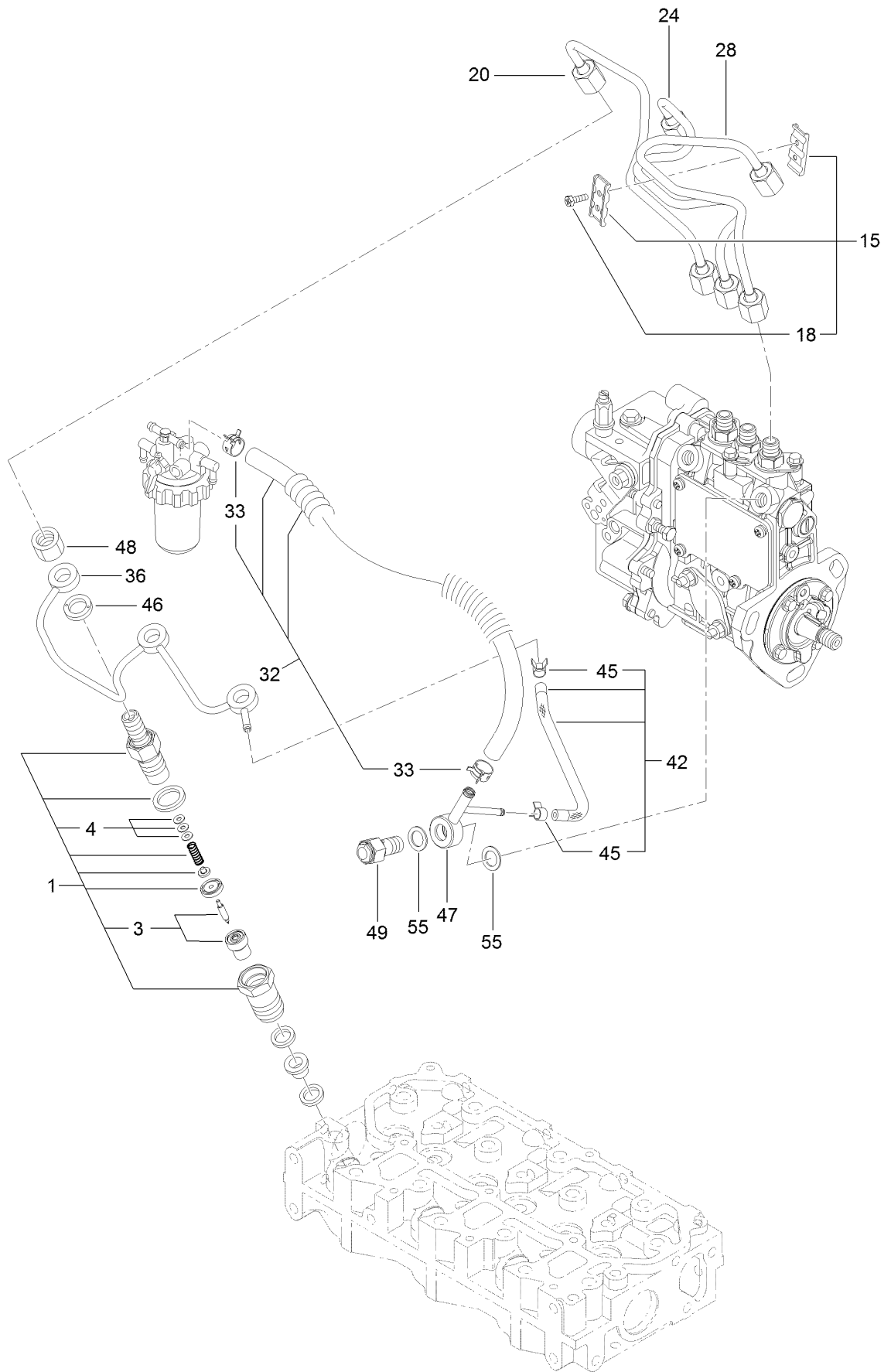
Governor Assembly



Governor Assembly (continued)

<i>Ref.</i>	<i>Part Number</i>	<i>Qty.</i>	<i>Description</i>	<i>Ref.</i>	<i>Part Number</i>	<i>Qty.</i>	<i>Description</i>
2	135-4226	1	Plug	77	125-7205	1	Bolt
3	135-4227	1	Gasket	78	134-4012	1	Nut-M8
4	140-7159	1	Cover-Case, Governor	79	134-1520	1	O-Ring
5	134-1435	1	Gasket	81	125-7175	1	Washer-Seal
12	134-4013	1	Bolt-Limit, Idle	83	134-1529	1	Pin
13	134-4014	1	Nut	84	125-7205	4	Bolt
15	135-4207	1	O-Ring	85	125-7207	2	Bolt
30	134-1385	1	Lever-Control	86	125-7209	4	Bolt
68	134-1518	1	Shim Set	87	136-8256	3	Bolt
73	134-1395	1	Stopper-Shaft	99	140-7172	1	Stop-Solenoid

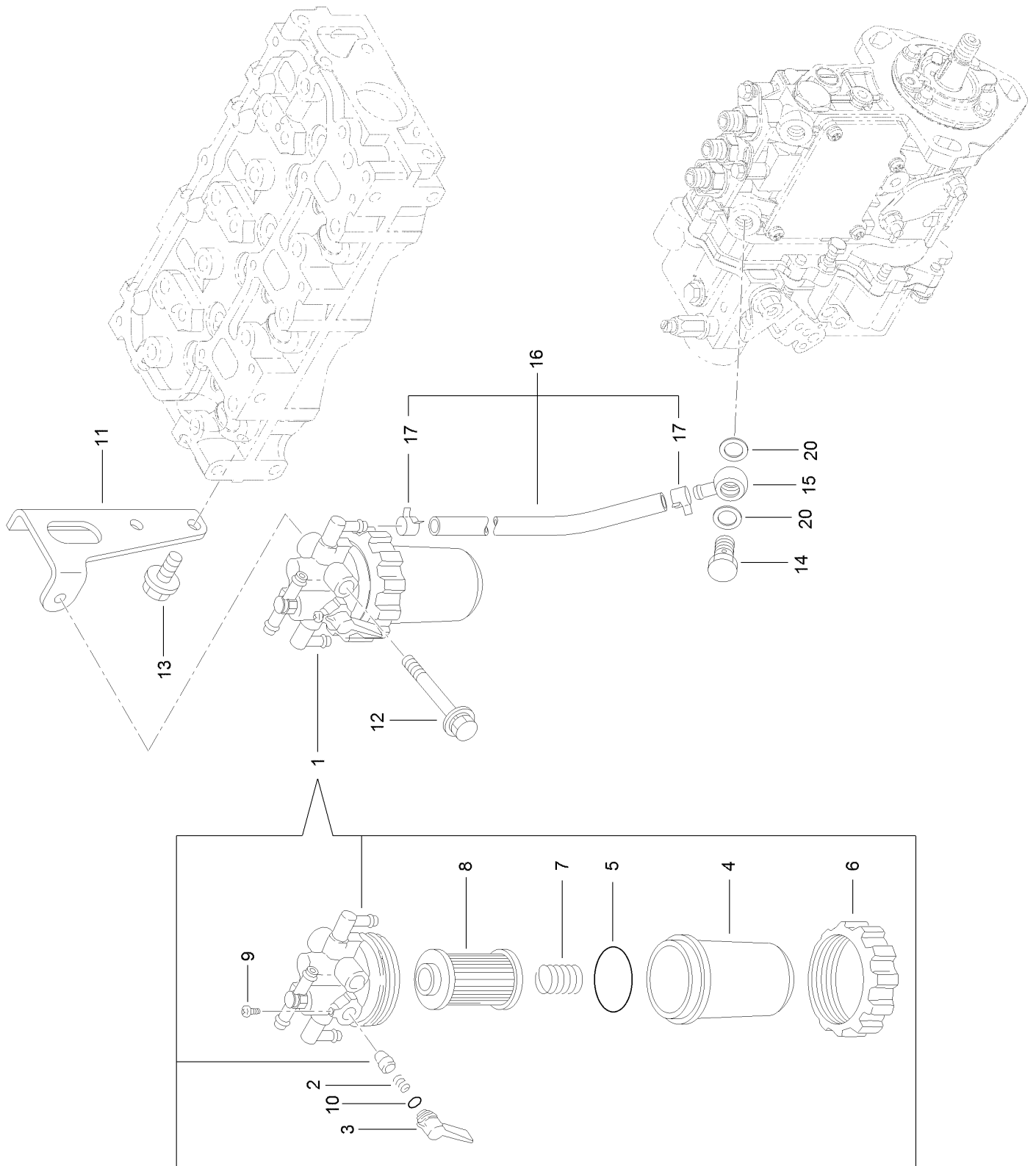
Fuel Injection Valve Assembly



Fuel Injection Valve Assembly (continued)

<i>Ref.</i>	<i>Part Number</i>	<i>Qty.</i>	<i>Description</i>	<i>Ref.</i>	<i>Part Number</i>	<i>Qty.</i>	<i>Description</i>
1	135-4229	3	Nozzle ASM	33	140-7167	2	Clamp-Hose (11.5)
3	135-4230	3	Nozzle ASM	36	134-1431	1	Return Pipe ASM
4	135-4231	3	Adjusting Shim Set	42	140-7155	1	Fuel Pipe ASM
15	134-1488	1	Retainer-Pipe	45	125-6970	2	Clip
18	125-7027	2	Bolt	46	135-4237	3	Gasket
20	135-4233	1	Pipe ASM (Inj No1)	47	135-4239	1	Joint-Over Flow
24	135-4234	1	Pipe ASM (Inj No2)	48	135-4240	3	Nut-Nozzle
28	135-4235	1	Pipe ASM (Inj No3)	49	135-4241	1	Check Valve ASM
32	140-7154	1	Fuel Pipe ASM	55	125-7176	2	Washer-Seal

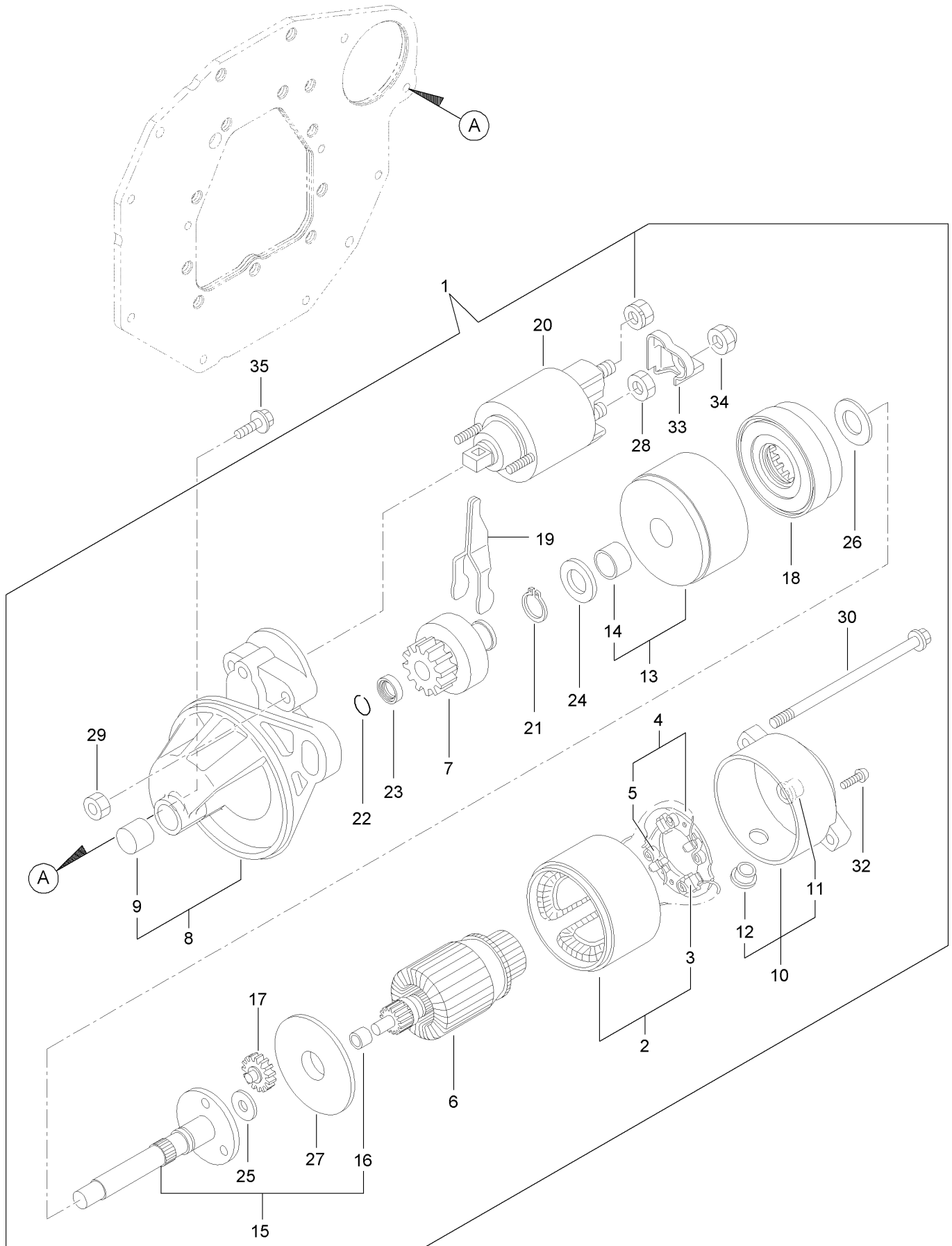
Fuel Pipe Assembly



Fuel Pipe Assembly (continued)

<i>Ref.</i>	<i>Part Number</i>	<i>Qty.</i>	<i>Description</i>	<i>Ref.</i>	<i>Part Number</i>	<i>Qty.</i>	<i>Description</i>
1	139-6234	1	Fuel Filter ASM	10	134-1535	1	O-Ring
2	134-1373	1	Spring-Valve, Fuel	11	140-7158	1	Bracket, Filter
3	134-1454	1	Lever-Fuel	12	140-7180	1	Bolt
4	134-1459	1	Cup-Strainer, Fuel	13	125-7214	2	Bolt
5	134-1371	1	O-Ring	14	135-4242	1	Bolt-Joint, Pipe
6	134-1376	1	Ring-Retaining, Cup	15	135-4243	1	Joint-Pipe
7	134-1458	1	Spring-Element	16	140-7153	1	Fuel Pipe ASM
8	134-3085	1	Element-Filter, Fuel	17	140-7167	2	Clamp-Hose (11.5)
9	134-1375	1	Screw-Pan	20	125-7176	2	Washer-Seal

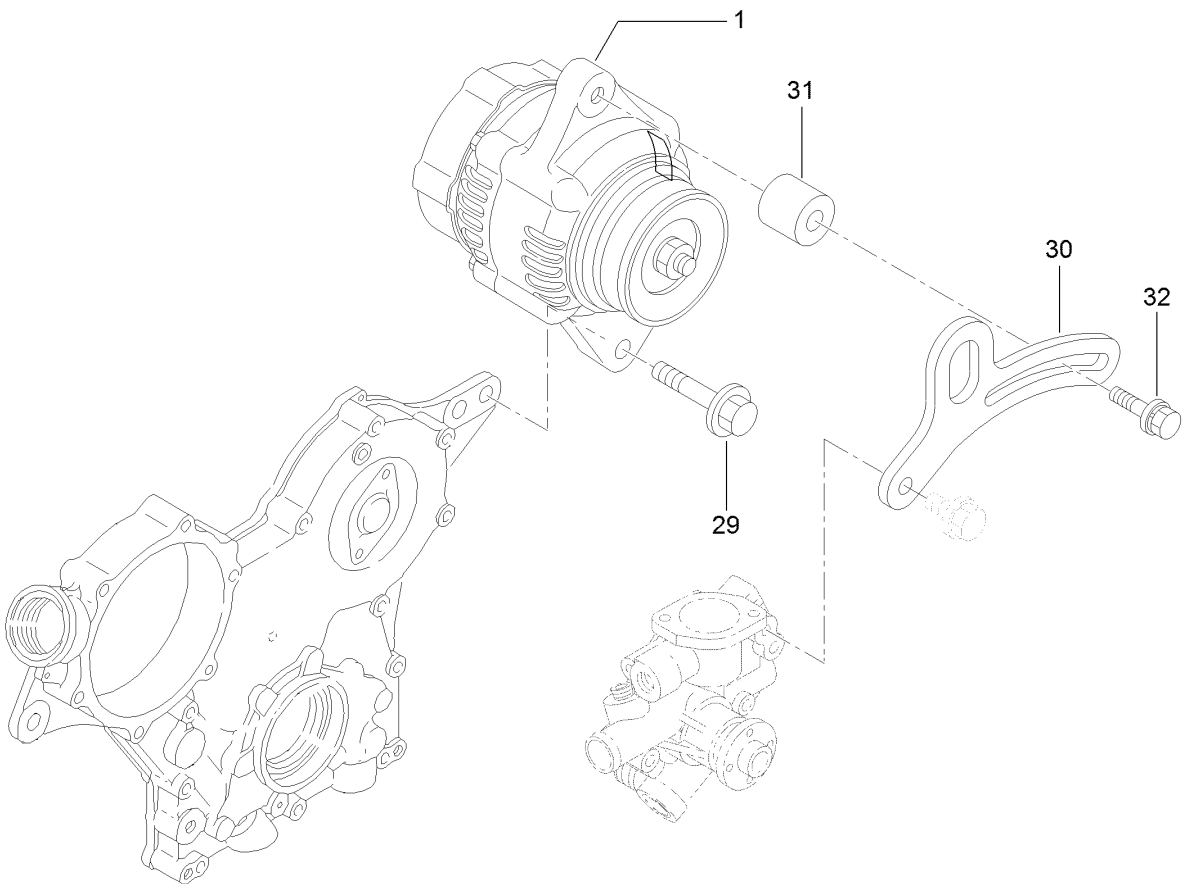
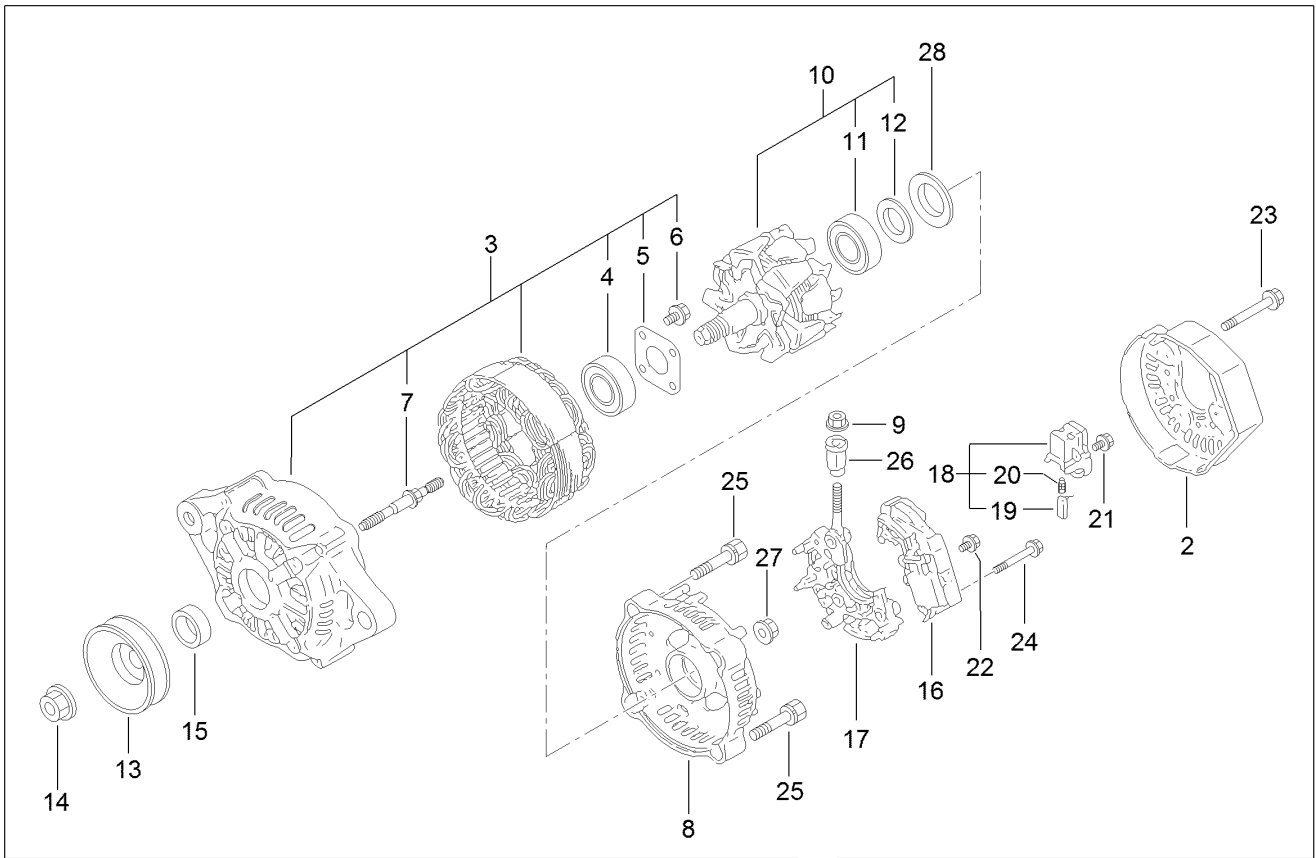
Starter Motor Assembly



Starter Motor Assembly (continued)

<i>Ref.</i>	<i>Part Number</i>	<i>Qty.</i>	<i>Description</i>	<i>Ref.</i>	<i>Part Number</i>	<i>Qty.</i>	<i>Description</i>
1	135-4244	1	Starter ASM	18	135-4261	1	Gear
2	135-4245	1	Yoke ASM	19	135-4262	1	Lever
3	135-4246	2	Starter Kit	20	135-4263	1	Switch ASM
4	135-4247	1	Holder ASM	21	135-4264	1	Ring
5	135-4248	4	Spring	22	135-4265	1	Ring
6	135-4249	1	Armature ASM	23	135-4266	1	Nut
7	135-4250	1	Clutch ASM	24	135-4267	1	Washer
8	135-4251	1	Housing ASM	25	135-4268	1	Washer
9	135-4252	1	Bearing-Needle	26	135-4269	1	Washer
10	135-4253	1	Frame ASM	27	135-4270	1	Plate
11	135-4254	1	Bearing	28	135-4271	1	Nut
12	135-4255	1	Cover	29	135-4272	2	Nut
13	135-4256	1	Bearing ASM	30	135-4273	2	Bolt-Through
14	135-4257	1	Bearing	32	135-4274	2	Screw
15	135-4258	1	Shaft ASM	33	135-4275	1	Cover-Terminal
16	135-4259	1	Bearing	34	135-4276	1	Nut
17	135-4260	3	Gear	35	133-2496	2	Bolt

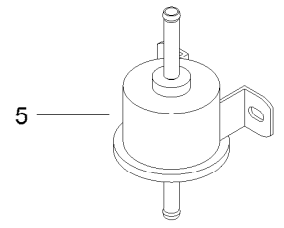
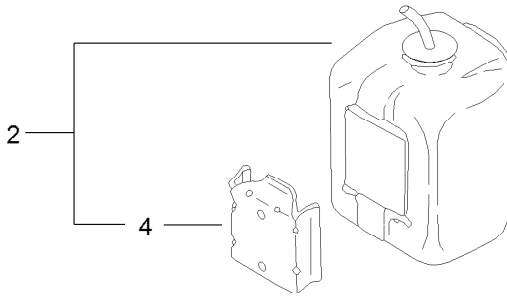
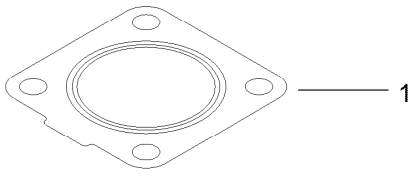
Generator Assembly



Generator Assembly (continued)

<i>Ref.</i>	<i>Part Number</i>	<i>Qty.</i>	<i>Description</i>	<i>Ref.</i>	<i>Part Number</i>	<i>Qty.</i>	<i>Description</i>
1	140-7162	1	Alternator (12V-40A)	17	127-2963	1	Holder
2	127-2999	1	Cover	18	127-2993	1	Holder
3	135-4025	1	Frame ASM	19	127-2956	2	Brush ASM
4	127-2958	1	Bearing-Ball	20	127-2964	2	Spring
5	127-2959	1	Plate-Retainer	21	127-2965	6	Screw
6	127-2960	4	Screw	22	127-2966	1	Screw
7	127-2961	2	Stud	23	127-2967	3	Bolt
8	140-7163	1	Rear Frame ASM	24	127-2968	2	Screw
9	127-3190	1	Nut	25	127-2969	2	Bolt
10	127-2951	1	Rotor ASM	26	127-2970	1	Bushing-Insulation
11	127-2983	1	Bearing-Ball	27	127-2971	2	Nut
12	127-2962	1	Cover	28	127-2972	1	Washer
13	127-2954	1	Pulley	29	135-4277	1	Bolt
14	127-2955	1	Nut	30	140-7151	1	Adjuster-Belt
15	127-2957	1	Collar	31	140-7166	1	Spacer-Adjuster
16	134-4018	1	Regulator ASM	32	125-7134	1	Bolt

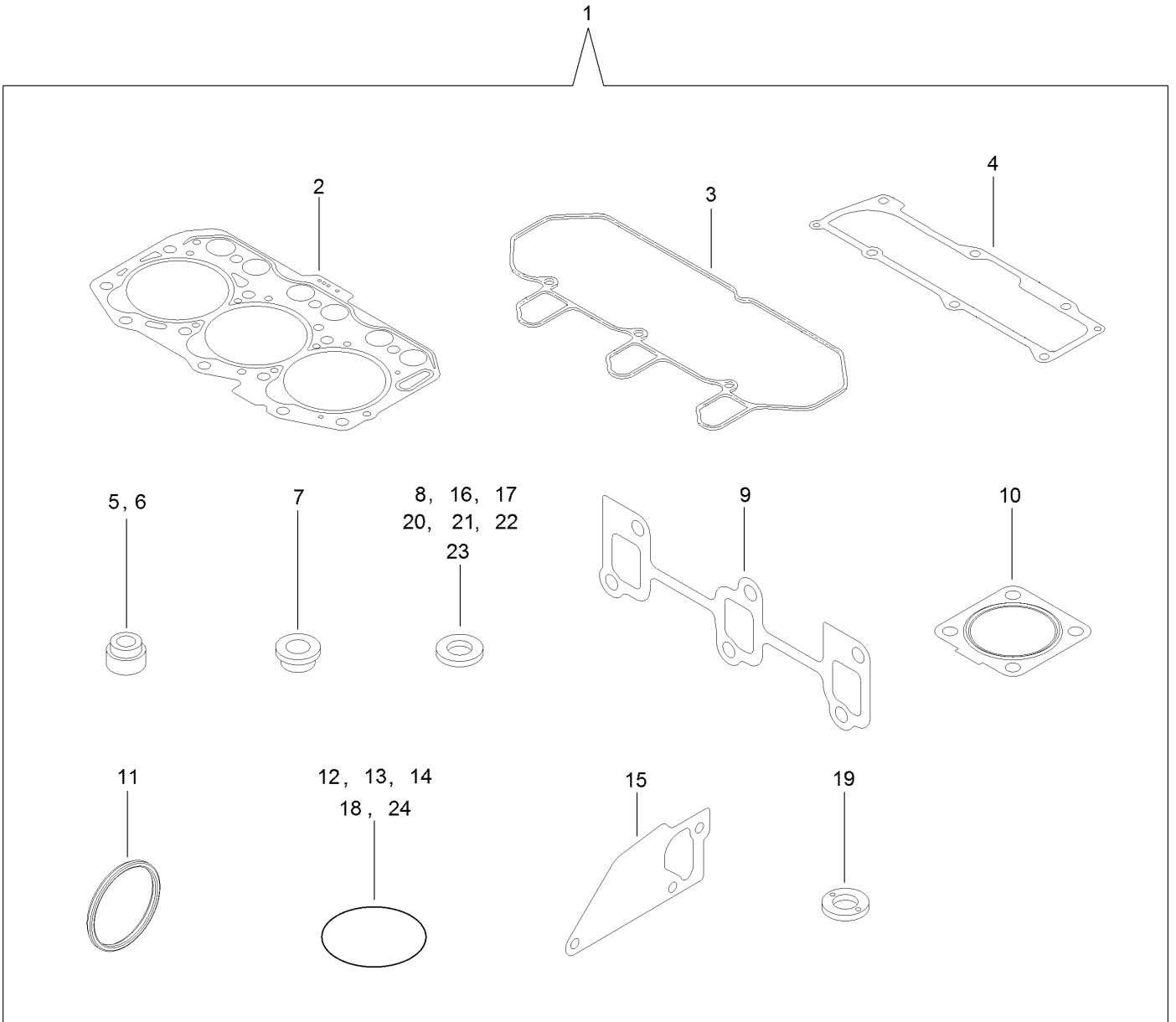
Accessory Assembly



Accessory Assembly (continued)

<i>Ref.</i>	<i>Part Number</i>	<i>Qty.</i>	<i>Description</i>	<i>Ref.</i>	<i>Part Number</i>	<i>Qty.</i>	<i>Description</i>
1	134-1383	1	Gasket-Silencer	5	121-5613	1	Pump-Fuel, Electric
2	140-7185	1	Tank ASM	11	134-1507	1	Timer
4	140-7165	1	Bracket-Tank				

Gasket Set



Gasket Set (continued)

<i>Ref.</i>	<i>Part Number</i>	<i>Qty.</i>	<i>Description</i>	<i>Ref.</i>	<i>Part Number</i>	<i>Qty.</i>	<i>Description</i>
1	140-7184	1	Gasket Set	13	135-4058	2	O-Ring
2	135-4038	1	Head Gasket Set	14	135-4178	1	O-Ring
3	135-4093	1	Gasket-Cover, Cylinder Head	15	135-4193	1	Gasket-Pump, Water
4	135-4095	1	Gasket	16	125-6979	1	Gasket
5	125-6915	3	Seal-Stem, Valve	17	134-4010	1	Gasket
6	125-6916	3	Seal-Stem, Valve	18	125-6957	1	O-Ring
7	135-4069	3	Protector-Nozzle	19	135-4237	3	Gasket
8	135-4070	6	Gasket-Nozzle	20	125-7174	4	Washer-Seal
9	135-4107	1	Gasket-Manifold, Exhaust	21	125-7176	4	Washer-Seal
10	134-1383	1	Gasket-Silencer	22	136-8236	1	Washer-Seal
11	134-4004	1	Packing-Washer	23	125-7192	1	Gasket
12	127-2973	1	O-Ring	24	125-7197	2	O-Ring

Attachments and Accessories

For 31901 Groundsmaster 3200 All-Wheel Drive Traction Unit

Product Name	Model/Part
Operator Cooling Fan	03247
Switch Panel	03248
Filter-Air	108-3811
Filter-Spin On	110-9049
Paint-Black Bottle	112-0176
Paint-Red Pen	112-0177
Paint-Red Bottle	112-0178
15-Pound Cast Weight.....	112-7059-01
42-Pound Weight.....	114-4096
Seat Cover (W/arm rest).....	117-0095
Premium Synthetic Bio-Degradable Hydraulic Fluid (5 Gallon Pail)	119-2157
Premium Synthetic Bio-Degradable Hydraulic Fluid (55 Gallon Drum).....	119-2158
PX Hydraulic Fluid (5 Gal)	133-8086
PX Hydraulic Fluid (55 Gal).....	133-8087
Element-Filter, Fuel	134-3085
Filter-Oil, Engine.....	135-4181
Beacon Kit	138-2699
Work Lights Kit.....	138-2700
Wrench-Caster Cap/Latch	138-6367
Storage Bag Kit.....	139-2020
SMV Kit.....	139-2339
Power Harness Kit.....	140-1559
Kit-Weight	144-0480
Plate-Weight, 25 LBS	144-0484
White Universal Sunshade	30669
Red Universal Sunshade	30671
Slope Sensor Kit.....	31952
CE Kit, Groundsmaster 3200 or 3300 Series Traction Unit.....	31953
CE Kit, Groundsmaster 3200 or 3300 Series 60in Side Discharge Rotary Mower.....	31957
CE Kit, Groundsmaster 3200 or 3300 Series 72in Side Discharge Rotary Mower.....	31958
CE Kit, Groundsmaster 3200 or 3300 Series 60in Rear Discharge Rotary Mower	31959
CE Kit, Groundsmaster 3200 or 3300 Series 72in Rear Discharge Rotary Mower	31960
Auxiliary HYD Kit	31966
60in SD Deck.....	31970
60in RD Deck.....	31971
72in SD Deck.....	31972
72in RD Deck.....	31973
60in RD Deck, T2	31974
72in RD Deck, T2	31975
Recycler Kit 60in/152cm SD	31976
Recycler Kit, 60In/152cm RD	31977
Recycler Kit, 72In/183cm SD	31978
Recycler Kit, 72In/183cm RD.....	31979
Seat Assembly - Standard	31980
Seat Assembly - Mechanical Suspension.....	31981
Seat Assembly - Air Ride Suspension.....	31982

Attachments and Accessories (continued)

Storage Box Kit.....	31983
USB Charging Kit.....	31984
Recycler Kit 60in/152cm Rd T2.....	31985
Recycler Kit 72in/183cm Rd T2.....	31986
Cab-Winter, GM3000 Series.....	31990
Road Light Kit (North America).....	31991
Road Light Kit (EU).....	31992
Accessory Control Kit.....	31994
LED Beacon Kit.....	31996
LED Work-Light Kit (GM3200/3300, ROPS).....	31997
Hydraulic Hose Kit.....	31999
Toro Red 12oz Aerosol Can.....	361-10
Semi-Gloss Black Spray Paint.....	361-9
Filter-Oil, Transmission.....	86-3010



Count on it.