



Count on it.

Parts Catalog

Workman® GTX

Electric Utility Vehicle with Extended Chassis

Model No. 07412EX—Serial No. 407700000 and Up



Ordering Replacement Parts

To order replacement parts, please supply the part number, the quantity, and the description of each part desired.

Understanding Reference Numbers

Each identified part in an illustration has a reference number. The reference number for a part also appears in the parts list, along with other information about the part.

This catalog uses two special reference number formats, one to indicate parts in a service assembly and another to indicate the quantity of a given part in an illustration.

Service Assembly Reference Numbers

Parts in service assemblies have reference numbers in the form a:b. The a represents the reference number of the entire service assembly and the b represents a sequential number unique to each part within the service assembly.

For example, a wheel assembly might be identified by reference number 6, the tire by 6:1, the valve by 6:2, and the wheel by 6:3. When you order the assembly identified by reference number 6, you receive all parts identified by reference numbers 6:1, 6:2, and 6:3. However, you may also order any part individually. Reference numbers of this type appear in illustration and in parts lists.

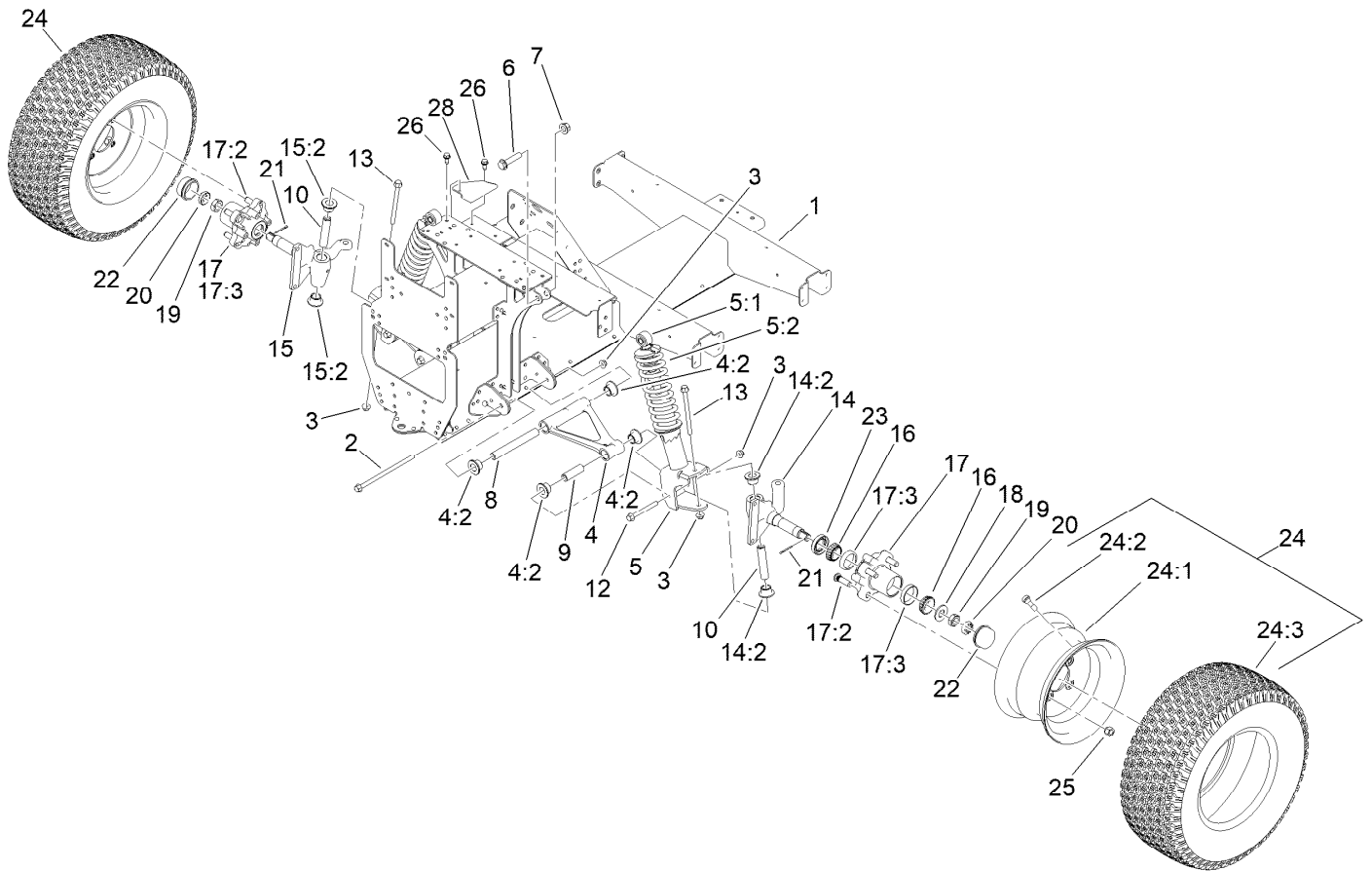
Reference Numbers Indicating Quantity

In an illustration, if a reference number indicates more than one part, the reference number has the form nX y. The n represents the quantity of the part, the X is the multiplication symbol, and the y represents the reference number.

For example, in an illustration, the reference number 2X 37 means that two of the parts identified by reference number 37 are indicated.

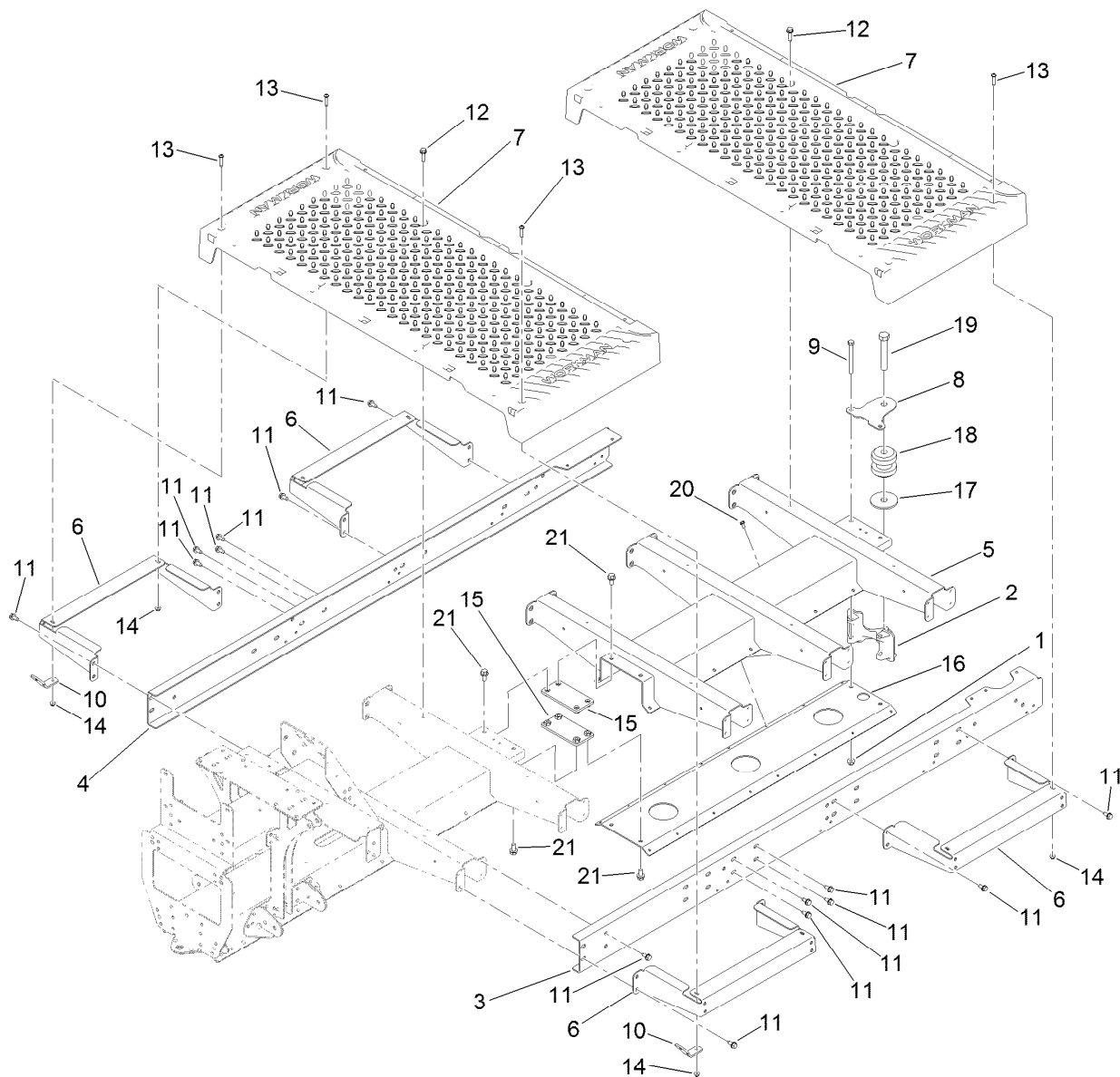
Contents

| | |
|--|----|
| Front Frame and Suspension Assembly | 4 |
| Floor Plate and Rear Suspension Mount Assembly | 5 |
| Rear Frame and Suspension Assembly | 6 |
| Frame Mount and Rear Shock/Spring Assembly | 7 |
| Brake Assembly | 8 |
| Master Cylinder Assembly No. 104-6782 | 9 |
| Brake Caliper Assembly No. 140-2575 | 10 |
| Steering Assembly | 11 |
| Pedal and Control Assembly | 12 |
| Hood and Fender Assembly | 13 |
| Dash Assembly | 14 |
| Seatbase Assembly | 15 |
| Cargo Bed Assembly | 16 |
| Battery Assembly | 17 |
| Rear Axle and Motor Assembly | 18 |
| Transaxle Assembly No. 136-6340 | 19 |
| Electric Motor Assembly No. 137-6936 | 20 |
| Controller Assembly | 21 |
| Sevcon Controller Assembly No. 137-9898 | 23 |
| Onboard Charger Assembly No. 131-8490 | 24 |
| Accelerator Pedal and Key Switch Assembly | 25 |
| Attachments and Accessories | 26 |



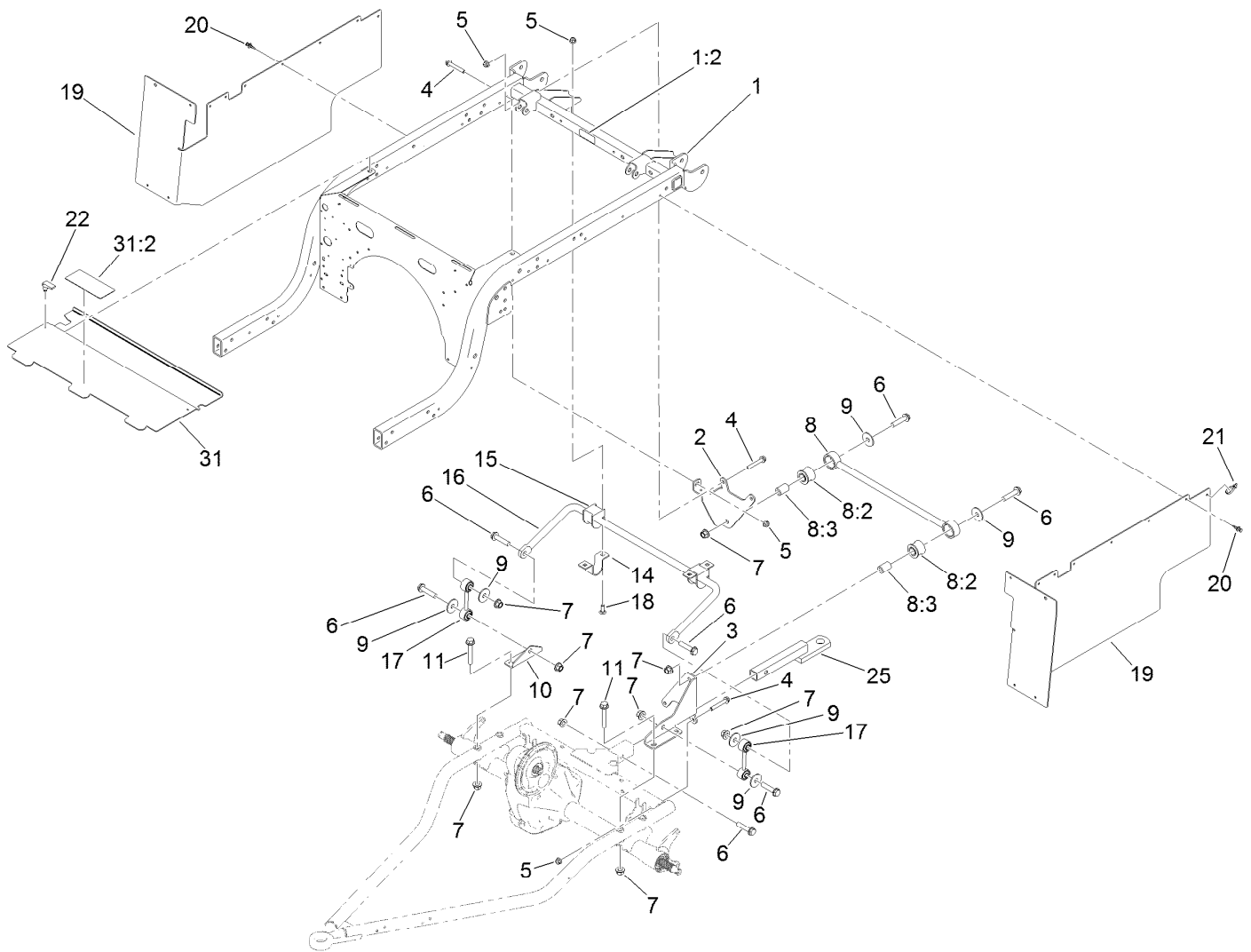
Front Frame and Suspension Assembly

| Ref. | Part Number | Qty. | Description | Ref. | Part Number | Qty. | Description |
|------|-------------|------|---------------------------------------|------|-------------|------|-----------------------|
| 1 | 127-7718-03 | 1 | Frame-Front | 15:2 | 140-4615 | 2 | Bushing-Flange |
| 2 | 139-3360 | 2 | Screw-HF | 16 | 254-94 | 4 | Bearing-Cone, Tapered |
| 3 | 139-3380 | 6 | Nut-HF | 17 | 127-8851 | 2 | Front Hub ASM |
| 4 | 144-2161 | 2 | Control Arm ASM | 17:2 | 10-6830 | 4 | Stud-Type, Drive |
| 4:2 | 140-4615 | 4 | Bushing-Flange | 17:3 | 254-72 | 2 | Bearing-Cup, Tapered |
| 5 | 139-4484 | 2 | Strut ASM, 250 Lb (16.33" EXT Length) | 18 | 93-0309 | 2 | Washer-Tab |
| 5:1 | 131-8574 | 1 | Isolator-Shock | 19 | 3220-7 | 2 | Nut-Jam |
| 5:2 | 137-6719 | 1 | Spring-Compression, 250Lb | 20 | 93-0307 | 2 | Nut-Lock, Retainer |
| 6 | 3234-46 | 2 | Screw-HHF | 21 | 3272-12 | 2 | Pin-Cotter |
| 7 | 99-5107 | 2 | Nut-Lock | 22 | 241-119 | 2 | Cap-Dust |
| 8 | 131-8581 | 2 | Sleeve-Control Arm, Inner | 23 | 112-1690 | 2 | Seal-Oil |
| 9 | 131-8583 | 2 | Sleeve-Control Arm, Outer | 24 | 139-4495 | 2 | Wheel And Tire ASM |
| 10 | 131-8582 | 2 | Sleeve-Kingpin | 24:1 | 131-8317 | 1 | Wheel |
| 12 | 139-3370 | 2 | Screw-HF | 24:2 | 232-27 | 1 | Stem-Valve |
| 13 | 139-3350 | 2 | Screw-HF | 24:3 | 139-4475 | 1 | Tire-20 X 8.00-10 |
| 14 | 144-2162 | 1 | Spindle ASM, LH | 25 | 242-50 | 8 | Nut-Lug |
| 14:2 | 140-4615 | 2 | Bushing-Flange | 26 | 32144-70 | 2 | Screw-HWHTF |
| 15 | 144-2163 | 1 | Spindle ASM, RH | 28 | 131-8339-03 | 1 | Reinforcement-Tower |



Floor Plate and Rear Suspension Mount Assembly

| Ref. | Part Number | Qty. | Description | Ref. | Part Number | Qty. | Description |
|------|-------------|------|------------------------------|------|-------------|------|--------------------------|
| 1 | 104-8301 | 2 | Nut-HF, NI | 12 | 32144-49 | 8 | Screw-HWHTF |
| 2 | 131-8466 | 1 | Mount-Suspension, Rear | 13 | 132-6777 | 8 | Screw-TTH |
| 3 | 127-7823-03 | 1 | Channel-Extended, LH | 14 | 104-7201 | 8 | Nut-HF, NI |
| 4 | 127-7824-03 | 1 | Channel-Extended, RH | 15 | 131-8424 | 2 | Plate-Connection |
| 5 | 127-7828-03 | 1 | Channel-Extension | 16 | 127-7827-03 | 1 | Plate-Channel, Extension |
| 6 | 127-7837-03 | 4 | Bracket-Support, Floor Plate | 17 | 110-4549 | 1 | Washer-Snubbing |
| 7 | 127-7829 | 2 | Plate-Floor | 18 | 131-8480 | 1 | Isolator |
| 8 | 131-8597 | 1 | Plate-Gimbal, Upper | 19 | 104-5877 | 1 | Screw-HH |
| 9 | 323-42 | 2 | Screw-HH | 20 | 32144-4 | 16 | Screw-HWH |
| 10 | 127-7832 | 2 | Bracket-Angle | 21 | 3234-1 | 8 | Screw-HHF |
| 11 | 32144-70 | 40 | Screw-HWHTF | | | | |



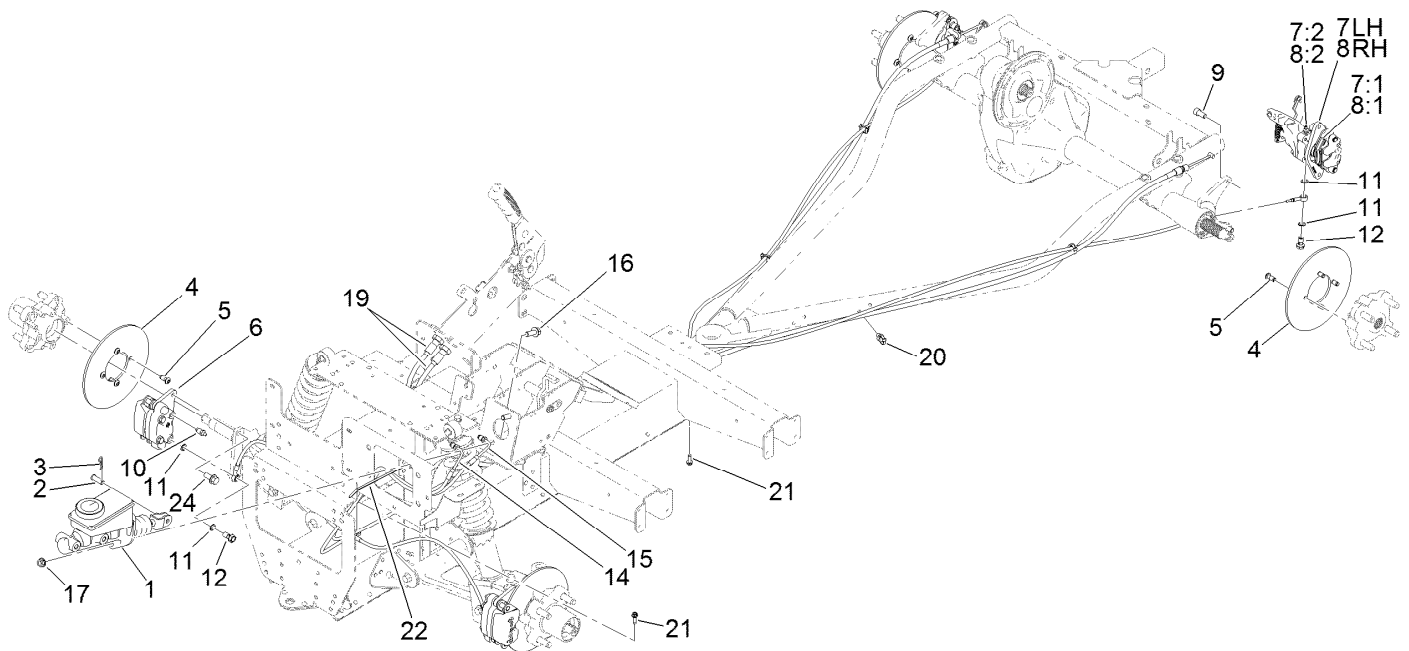
Rear Frame and Suspension Assembly

| <i>Ref.</i> | <i>Part Number</i> | <i>Qty.</i> | <i>Description</i> | <i>Ref.</i> | <i>Part Number</i> | <i>Qty.</i> | <i>Description</i> |
|-------------|--------------------|-------------|----------------------------|-------------|--------------------|-------------|----------------------|
| 1 | 140-2498 | 1 | Rear Frame ASM | 11 | 3234-40 | 4 | Screw-HF |
| 1:2 | 115-2047 | 1 | Decal-Surface, Hot | 14 | 139-4644 | 2 | Clamp, Anti-Sway Bar |
| 2 | 139-4647-03 | 1 | Bracket-Stabilizer Bar | 15 | 87-3910 | 2 | Bushing-Rubber |
| 3 | 127-7411-03 | 1 | Bracket-Bar, Stabilizer | 16 | 131-8310-03 | 1 | Bar-Sway, Anti |
| 4 | 3234-39 | 5 | Screw-HHF | 17 | 131-8394 | 2 | Link-Bar, Sway |
| 5 | 104-8301 | 9 | Nut-HF, NI | 18 | 3231-22 | 4 | Screw-CARR |
| 6 | 3234-46 | 7 | Screw-HHF | 19 | 131-8346 | 2 | Panel-Side |
| 7 | 99-5107 | 11 | Nut-Lock | 20 | 125-9622 | 20 | Rivet-Blind |
| 8 | 109-5013 | 1 | Panhard Rod ASM | 21 | 3290-378 | 2 | Tie-Cable |
| 8:2 | 109-5009 | 2 | Bushing-Suspension, Rubber | 22 | 74-5950 | 2 | Latch-Swell |
| 8:3 | 109-5010 | 2 | Spacer | 25 | 137-6741 | 1 | Ball Mount ASM |
| 9 | 86-1990 | 6 | Washer-Thrust | 31 | 140-4573 | 1 | Extended Panel-Cover |
| 10 | 131-8315 | 1 | Bracket-Link, Sway Bar | 31:2 | 99-7345 | 1 | Decal-Warning |



Frame Mount and Rear Shock/Spring Assembly

| <i>Ref.</i> | <i>Part Number</i> | <i>Qty.</i> | <i>Description</i> |
|-------------|--------------------|-------------|--------------------|
| 1 | 3234-39 | 8 | Screw-HHF |
| 2 | 104-8301 | 8 | Nut-HF, NI |
| 3 | 3234-46 | 4 | Screw-HHF |
| 4 | 99-5107 | 4 | Nut-Lock |
| 5 | 139-4607 | 2 | Shock/Spring ASM |
| 5:1 | 131-8574 | 2 | Isolator-Shock |



Brake Assembly

| Ref. | Part Number | Qty. | Description | Ref. | Part Number | Qty. | Description |
|------|-------------|------|-------------------------------------|------|-------------|------|-----------------------|
| 1 | 104-6782 | 1 | Master Cylinder ASM | 8:3 | 136-6328 | 2 | Spring-Rattle, Anti ● |
| 2 | 283-2 | 1 | Pin-Clevis | 9 | 131-8573 | 4 | Screw-HSH |
| 3 | 1-806003 | 1 | Pin-Cotter | 10 | 119-9509 | 2 | Screw-Bleed |
| 4 | 139-4474 | 4 | Rotor-Brake | 11 | 115-2341 | 8 | Washer-Banjo |
| 5 | 121-9671 | 16 | Screw-HSBH | 12 | 120-4875 | 4 | Bolt-Flange, Banjo |
| 6 | 140-2575 | 2 | Brake Caliper ASM | 14 | 127-7781 | 1 | Brake Line-Front |
| 7 | 140-2585 | 1 | Brake Caliper ASM, LH | 15 | 127-7782 | 1 | Brake Line-Rear |
| 7:1 | 140-2595 | 1 | Brake Pad Service Kit (Rear, Qty 4) | 16 | 3234-11 | 2 | Screw-HHF |
| 7:2 | 119-9509 | 1 | Screw-Bleed | 17 | 3290-357 | 2 | Nut-HHF, Whiz |
| 7:3 | 136-6328 | 2 | Spring-Rattle, Anti ● | 19 | 131-8398 | 2 | Cable-Brake, Park |
| 8 | 140-2590 | 1 | Brake Caliper ASM, RH | 20 | 32180-030 | 4 | Clip-Tie |
| 8:1 | 140-2595 | 1 | Brake Pad Service Kit (Rear, Qty 4) | 21 | 49-2040 | 2 | Screw-HWHTF |
| 8:2 | 119-9509 | 1 | Screw-Bleed | 22 | 3290-378 | 1 | Tie-Cable |
| | | | | 24 | 3234-25 | 4 | Screw-HHF |

● Not illustrated



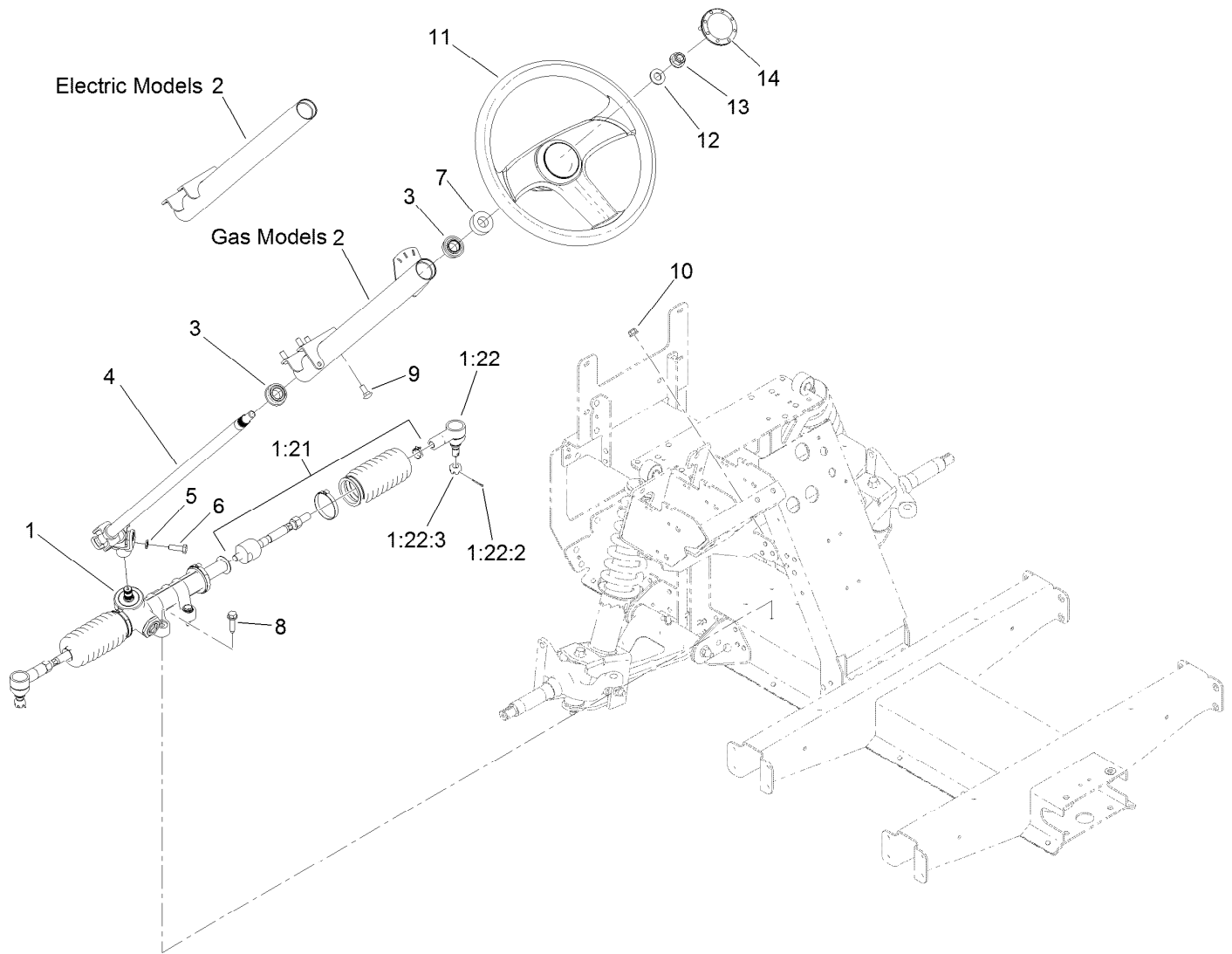
Master Cylinder Assembly No. 104-6782

| Ref. | Part Number | Qty. | Description |
|------|-------------|------|----------------------|
| 1 | 104-6845 | 1 | Reservoir ASM |
| 1:1 | 92-4112 | 1 | Cap ASM |
| 2 | 93-8971 | 2 | Seal-Port, Flange |
| 3 | 92-4103 | 1 | Pin-Stop |
| 4 | 92-4102 | 1 | Secondary Piston ASM |
| 5 | 92-4110 | 1 | Clevis |
| 6 | 21-0360 | 1 | Nut-Hex |
| 7 | 94-5209 | 1 | Cover-Dust |
| 8 | 94-5210 | 1 | Rod-Push |
| 9 | 92-4109 | 1 | Ring-Snap |
| 10 | 92-4108 | 1 | Retainer-Washer |
| 11 | 92-4101 | 1 | Primary Piston ASM |



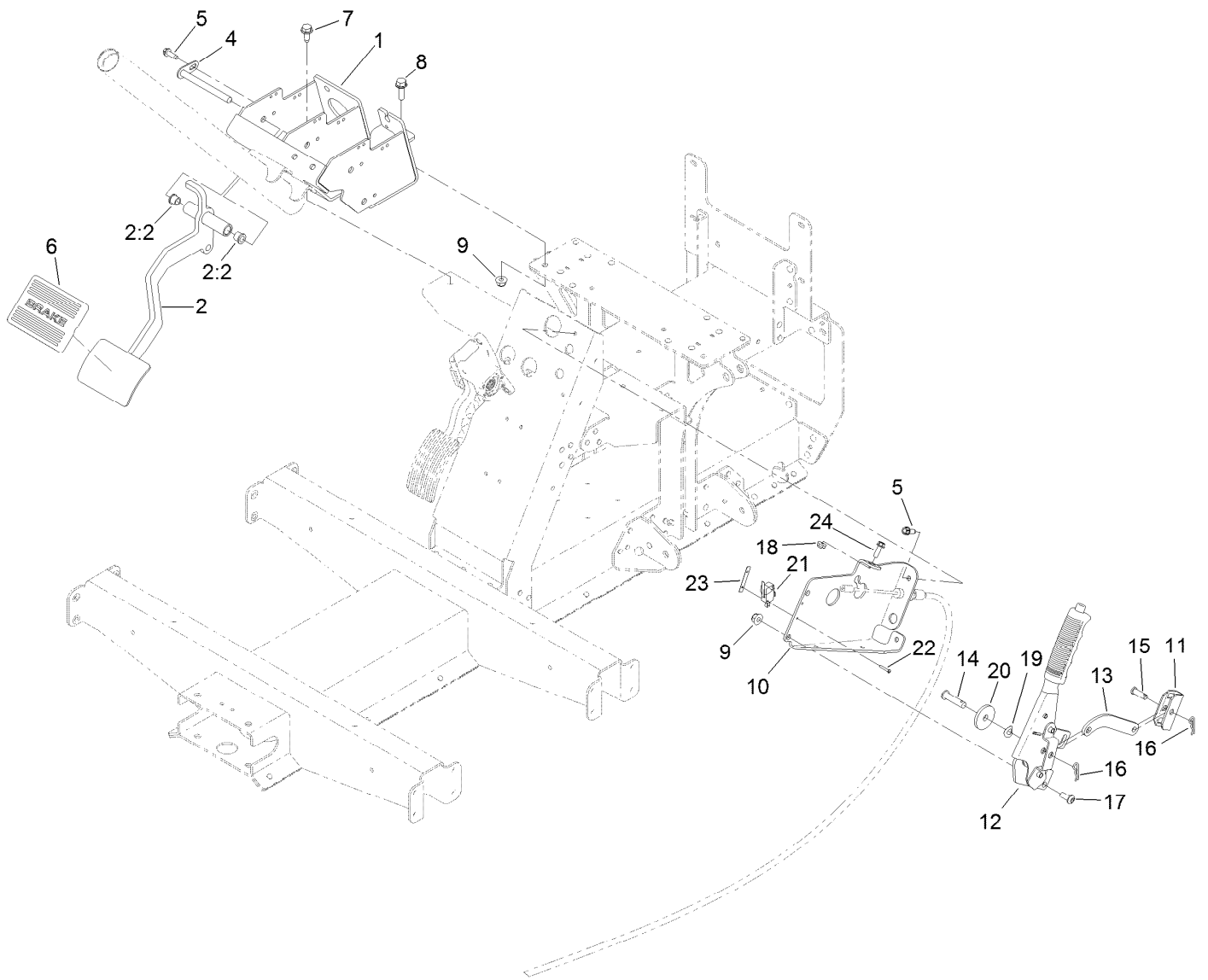
Brake Caliper Assembly No. 140-2575

| <i>Ref.</i> | <i>Part Number</i> | <i>Qty.</i> | <i>Description</i> |
|-------------|--------------------|-------------|--------------------------------------|
| 1 | 140-2580 | 1 | Brake Pad Service Kit (Front, Qty 4) |
| 2 | 119-9511 | 1 | Bracket Kit |
| 3 | 133-0614 | 1 | Piston Kit |



Steering Assembly

| <i>Ref.</i> | <i>Part Number</i> | <i>Qty.</i> | <i>Description</i> | <i>Ref.</i> | <i>Part Number</i> | <i>Qty.</i> | <i>Description</i> |
|-------------|--------------------|-------------|----------------------|-------------|--------------------|-------------|---------------------|
| 1 | 138-0114 | 1 | Steering Rack ASM | 6 | 116-3515 | 1 | Screw-HH, Special |
| 1:21 | 140-4591 | 1 | Kit-Tie Rod ASM, Gtx | 7 | 21-9260 | 1 | Cover-Dust |
| 1:22 | 140-4592 | 1 | Kit-Rod End ASM | 8 | 32144-49 | 4 | Screw-HWHTF |
| 1:22:2 | 3272-42 | 1 | Pin-Cotter | 9 | 3230-1 | 4 | Bolt-CARR |
| 1:22:3 | 140-2493 | 1 | Nut-Hex, Slotted | 10 | 104-8300 | 4 | Nut-HF, NI |
| 2 | 139-3343 | 1 | Steering Column ASM | 11 | 131-0957 | 1 | Wheel-Steering |
| 3 | 112-3262 | 2 | Bearing | 12 | 3256-26 | 1 | Washer-Flat |
| 4 | 127-8804 | 1 | Shaft-Steering | 13 | 99-5107 | 1 | Nut-Lock |
| 5 | 3253-4 | 1 | Washer-Lock | 14 | 131-3630 | 1 | Cap-Wheel, Steering |



Pedal and Control Assembly

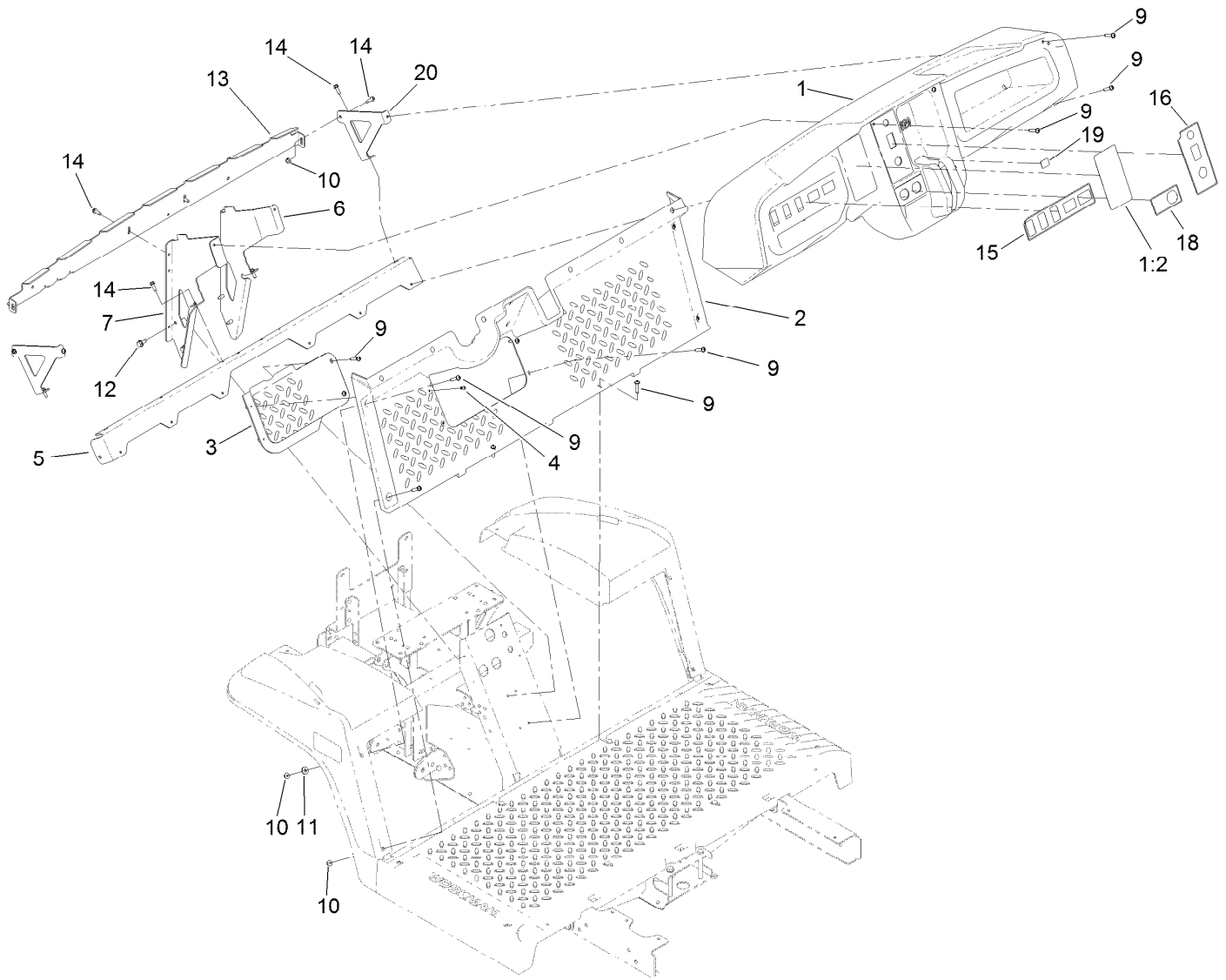
| Ref. | Part Number | Qty. | Description |
|------|-------------|------|--------------------------|
| 1 | 127-8817-03 | 1 | Mount-Pedal |
| 2 | 138-9385 | 1 | Brake Pedal ASM |
| 2:2 | 256-116 | 2 | Bushing-Flange |
| 4 | 131-8459 | 1 | Shaft-Pivot |
| 5 | 49-2040 | 3 | Screw-HWHTF |
| 6 | 7-3900 | 1 | Pad-Brake |
| 7 | 32144-70 | 2 | Screw-HWHTF |
| 8 | 3234-29 | 1 | Screw-HHF |
| 9 | 104-8300 | 3 | Nut-HF, NI |
| 10 | 140-4836-03 | 1 | Mount-Park Brake |
| 11 | 87-3480 | 1 | Bracket-Equalizer, Cable |
| 12 | 131-8320 | 1 | Lever-Brake, Park |

| Ref. | Part Number | Qty. | Description |
|------|-------------|------|------------------|
| 13 | 144-0516 | 1 | Link-Park, Brake |
| 14 | 283-10 | 1 | Pin-Clevis |
| 15 | 1-808280 | 1 | Pin-Clevis |
| 16 | 1-806003 | 2 | Pin-Cotter |
| 17 | 3274-55 | 2 | Screw-HSBH |
| 18 | 104-7201 | 1 | Nut-HF, NI |
| 19 | 121-4605 | 1 | Washer-Spring |
| 20 | 131-8496 | 1 | Washer-Plain |
| 21 | 108-6496 | 1 | Switch (W/Boot) |
| 22 | 3290-313 | 2 | Screw-SPH |
| 23 | 3290-354 | 1 | Nut-Speed |
| 24 | 115-5103 | 1 | Screw-HHF |



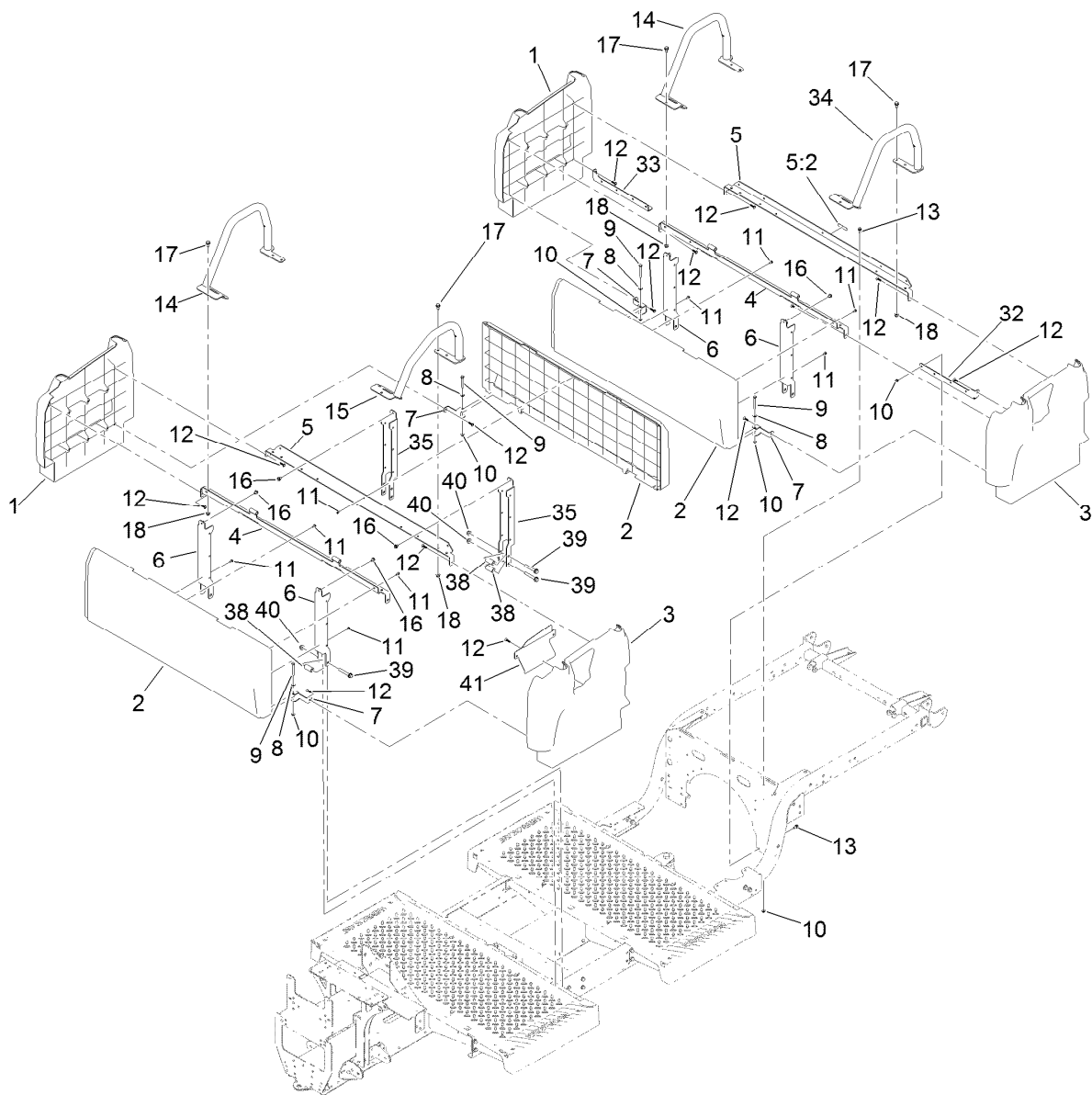
Hood and Fender Assembly

| <i>Ref.</i> | <i>Part Number</i> | <i>Qty.</i> | <i>Description</i> | <i>Ref.</i> | <i>Part Number</i> | <i>Qty.</i> | <i>Description</i> |
|-------------|--------------------|-------------|-----------------------|-------------|--------------------|-------------|--------------------|
| 1 | 132-8530 | 1 | Bumper | 12 | 127-7771 | 1 | Fender-Front, LH |
| 2 | 131-8455-03 | 1 | Bracket-Headlight, LH | 13 | 127-7772 | 1 | Fender-Front, RH |
| 3 | 131-8456-03 | 1 | Bracket-Headlight, RH | 14 | 3234-33 | 4 | Screw-HHF |
| 4 | 46-8091 | 8 | Screw-HWH | 15 | 3256-2 | 4 | Washer-Flat |
| 5 | 138-9260 | 2 | Headlight ASM | 16 | 104-7201 | 4 | Nut-HF, NI |
| 6 | 115-2408 | 6 | Clip-Speed | 17 | 32144-70 | 2 | Screw-HWHTF |
| 7 | 136-6281 | 1 | Hood | 18 | 125-1122 | 2 | Screw |
| 8 | 117-5094 | 2 | Pin-Clevis | 19 | 131-8402 | 2 | Strap-Down, Hold |
| 9 | 32121-50 | 2 | Pin-Spring | 20 | 3296-56 | 2 | Nut-Lock, NI |
| 10 | 112-3308 | 2 | Retainer-Pin | 21 | 131-8516 | 2 | Decal-Fender |
| 11 | 121-9605 | 6 | Screw-HWH | 23 | 133-7210 | 1 | Seal-Trim, Hood |



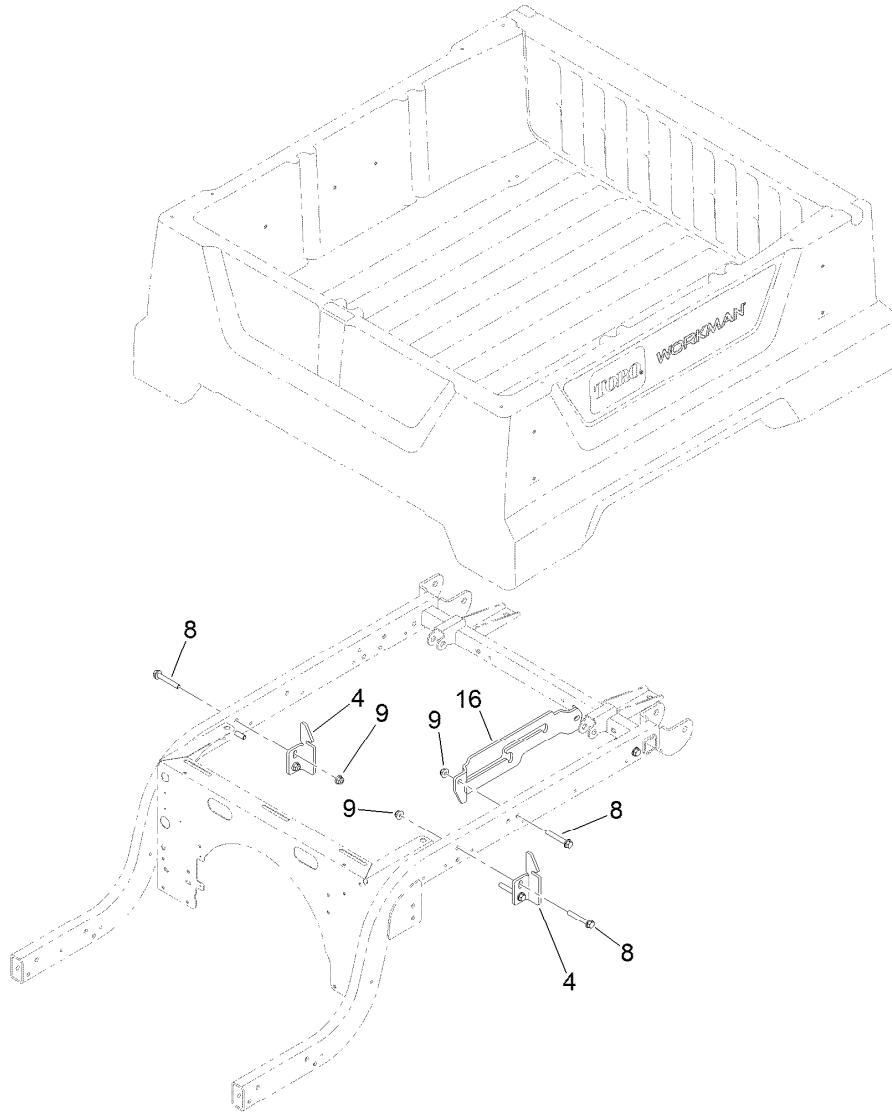
Dash Assembly

| <i>Ref.</i> | <i>Part Number</i> | <i>Qty.</i> | <i>Description</i> | <i>Ref.</i> | <i>Part Number</i> | <i>Qty.</i> | <i>Description</i> |
|-------------|--------------------|-------------|--------------------|-------------|--------------------|-------------|----------------------------------|
| 1 | 131-8593 | 1 | Dash | 11 | 3256-2 | 2 | Washer-Flat |
| 1:2 | 131-8414 | 1 | Decal-Danger | 12 | 32144-70 | 4 | Screw-HWHTF |
| 2 | 127-7846 | 1 | Footboard | 13 | 131-8568-03 | 1 | Reinforcement-Dash |
| 3 | 127-7847 | 1 | Cover-Footboard | 14 | 49-2040 | 8 | Screw-HWHTF |
| 4 | 107-7461 | 2 | Screw-Plastite | 15 | 138-3525 | 1 | Decal-Dashboard |
| 5 | 127-7831-03 | 1 | Angle | 16 | 131-8412 | 1 | Decal-Control Panel, Electric |
| 6 | 131-8336-03 | 1 | Bracket-Dash, RH | 18 | 131-8493 | 1 | Decal-USB |
| 7 | 131-8335-03 | 1 | Bracket-Dash, LH | 19 | 131-8506 | 1 | Decal-Status, Machine |
| 9 | 132-6777 | 20 | Screw-TTH | 20 | 131-8569-03 | 2 | Bracket-Dash, Side |
| 10 | 104-7201 | 6 | Nut-HF, NI | | | | |



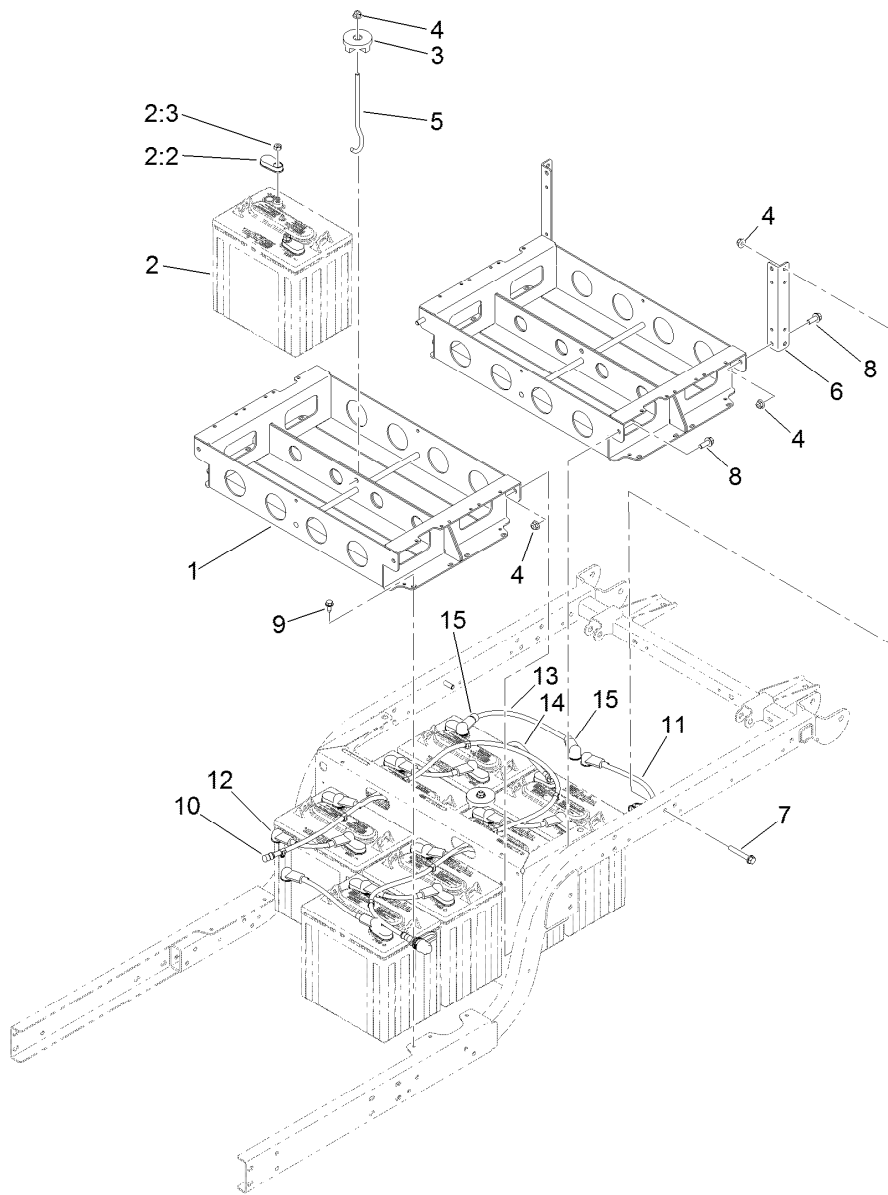
Seatbase Assembly

| <i>Ref.</i> | <i>Part Number</i> | <i>Qty.</i> | <i>Description</i> | <i>Ref.</i> | <i>Part Number</i> | <i>Qty.</i> | <i>Description</i> |
|-------------|--------------------|-------------|-----------------------|-------------|--------------------|-------------|----------------------------|
| 1 | 127-7805 | 2 | Side-Base, Seat (RH) | 14 | 131-8352-05 | 2 | Restraint-Hip, RH |
| 2 | 133-7188 | 3 | Panel-Base, Seat | 15 | 131-8353-05 | 1 | Restraint-Hip, LH |
| 3 | 127-7807 | 2 | Side-Base, Seat (LH) | 16 | 46-6810 | 6 | Screw And Washer ASM |
| 4 | 133-7345-03 | 2 | Support-Seat | 17 | 32144-70 | 12 | Screw-HWHTF |
| 5 | 137-6991 | 1 | Seat Support ASM | 18 | 104-8300 | 12 | Nut-HF, NI |
| 5:2 | 120-9570 | 1 | Decal-Warning | 32 | 127-7842-03 | 1 | Bracket-Support, Side (LH) |
| 6 | 127-7841-03 | 4 | Channel-Support, Seat | 33 | 127-7843-03 | 1 | Bracket-Support, Side (RH) |
| 7 | 127-7844-03 | 6 | Clamp-Plate, Floor | 34 | 131-8354-05 | 1 | Restraint-Hip, LH |
| 8 | 3256-22 | 6 | Washer-Flat | 35 | 131-8355-03 | 2 | Channel-Support, Seat |
| 9 | 321-18 | 6 | Screw-HH | 38 | 131-8452 | 6 | Spacer |
| 10 | 104-7201 | 12 | Nut-HF, NI | 39 | 3234-39 | 6 | Screw-HHF |
| 11 | 112-6349 | 13 | Screw-HWH | 40 | 104-8301 | 6 | Nut-HF, NI |
| 12 | 120-2349 | 19 | Screw | 41 | 131-8525-05 | 1 | Cover-Opening |
| 13 | 3234-33 | 6 | Screw-HHF | | | | |



Cargo Bed Assembly

| <i>Ref.</i> | <i>Part Number</i> | <i>Qty.</i> | <i>Description</i> |
|-------------|--------------------|-------------|--------------------|
| 4 | 127-7428-03 | 2 | Striker-Latch, Bed |
| 8 | 3234-39 | 6 | Screw-HHF |
| 9 | 104-8301 | 6 | Nut-HF, NI |
| 16 | 132-8518 | 1 | Bracket-Rod, Prop |

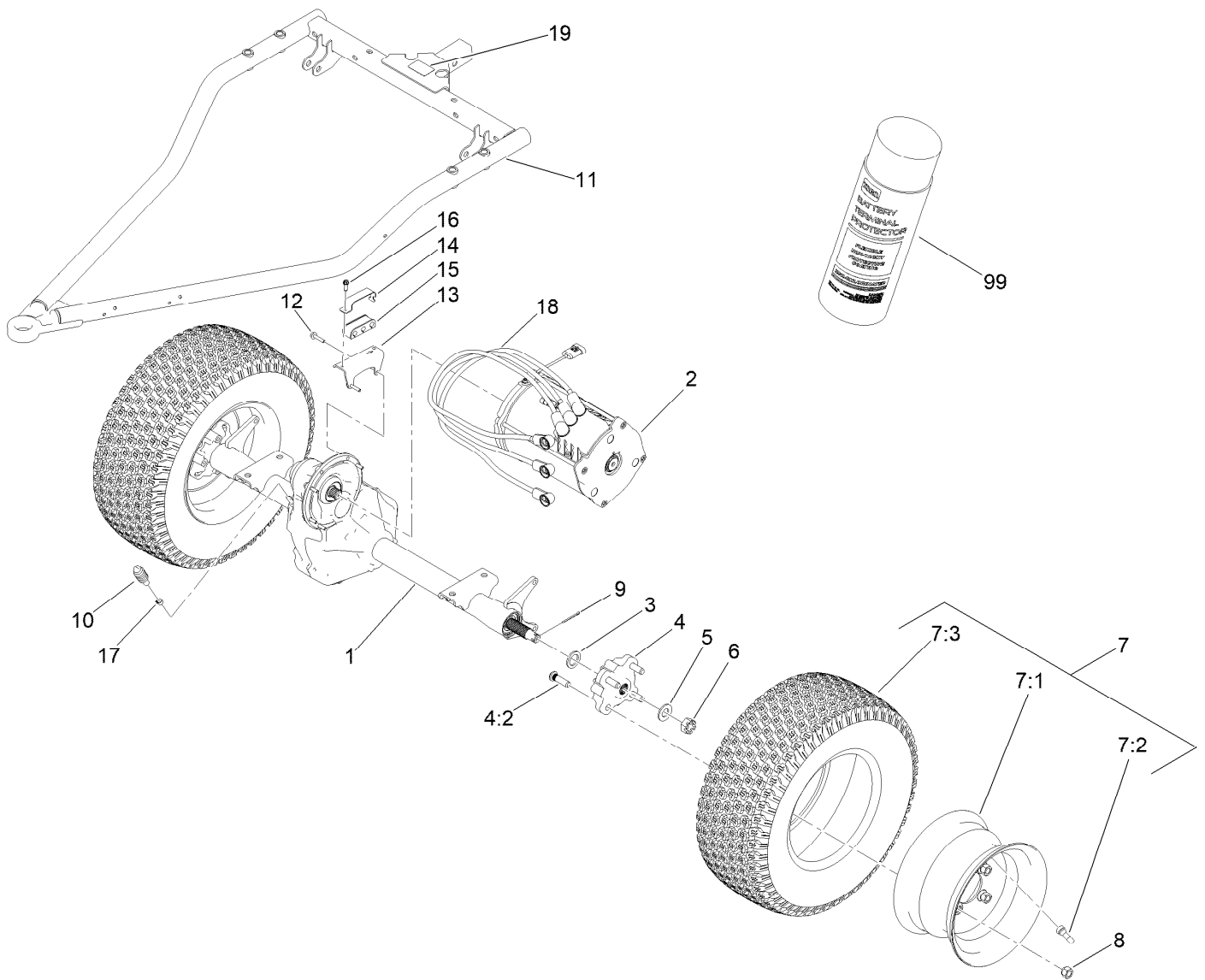


Battery Assembly

| Ref. | Part Number | Qty. | Description | Ref. | Part Number | Qty. | Description |
|------|-------------|------|--------------------------|------|-------------|------|--------------------------------|
| 1 | 131-8300-03 | 2 | Tray-Battery | 9 | 32144-70 | 4 | Screw-HWHTF |
| 2 | | 8 | Battery-Lead Acid, Wet ■ | 10 | 131-8491 | 1 | Watering Hose ASM |
| 2:2 | 107-0289 | 2 | Cover-Terminal, Battery | 11 | 107-0739 | 2 | Cable-Battery, Positive |
| 2:3 | 107-0388 | 2 | Nut | 12 | 107-0738 | 6 | Cable-Battery, Rd ASM |
| 3 | 104-7149 | 2 | Hold Down ASM | 13 | 122-0750 | 1 | Cable-Battery, Positive |
| 4 | 104-8301 | 8 | Nut-HF, NI | 14 | 94-6168 | 1 | Wire-Ground, Battery |
| 5 | 131-8387 | 2 | Rod-Battery Hold Down | 15 | 32180-009 | 2 | Insulator-Lug, Red |
| 6 | 131-8302-03 | 2 | Bracket-Box, Battery | 99 | 107-0392 | 1 | Protection-Terminal, Aerosol ● |
| 7 | 3234-39 | 2 | Screw-HHF | | | | |
| 8 | 3234-42 | 4 | Screw-HHF | | | | |

● Not illustrated

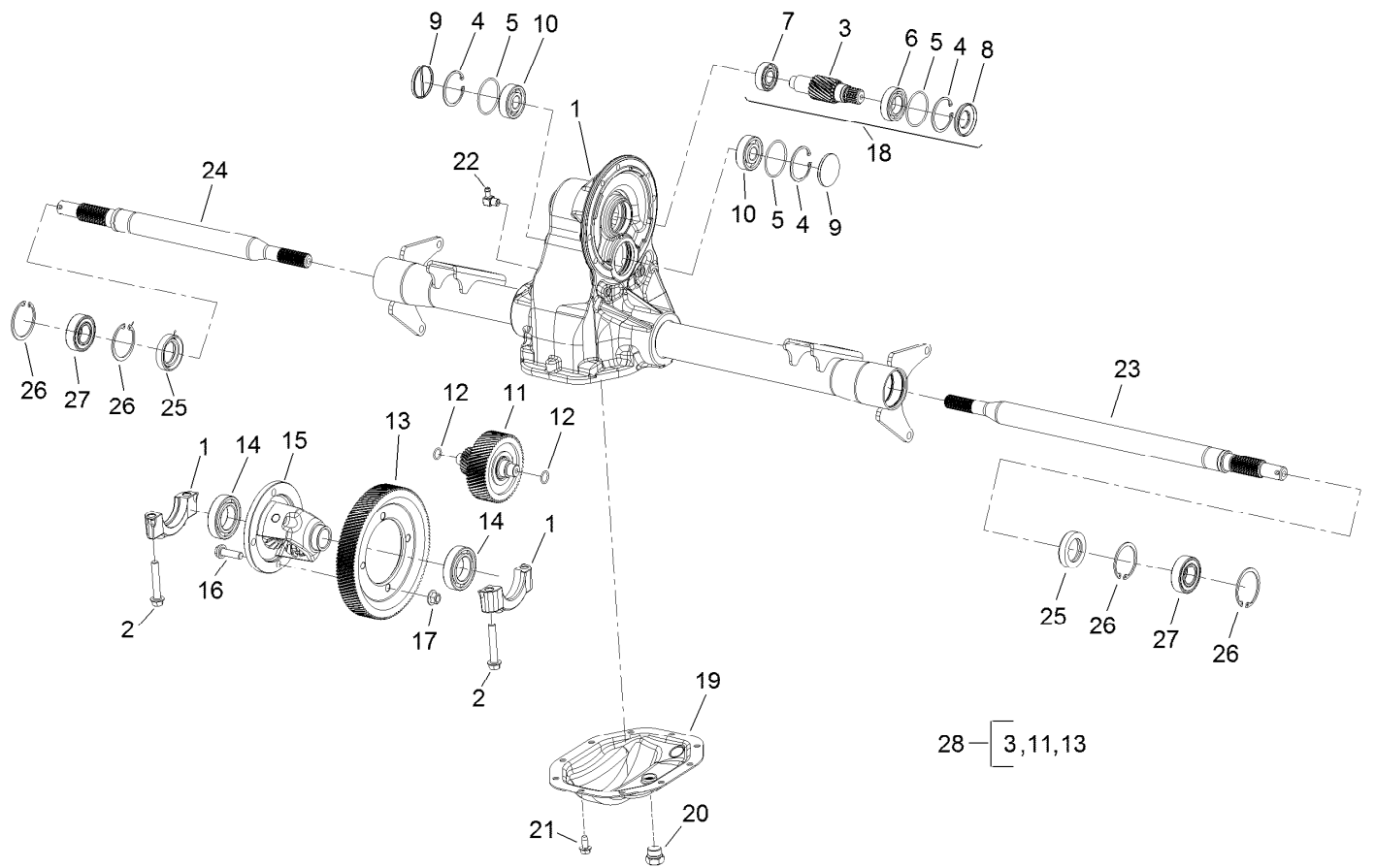
■ Not serviced separately



Rear Axle and Motor Assembly

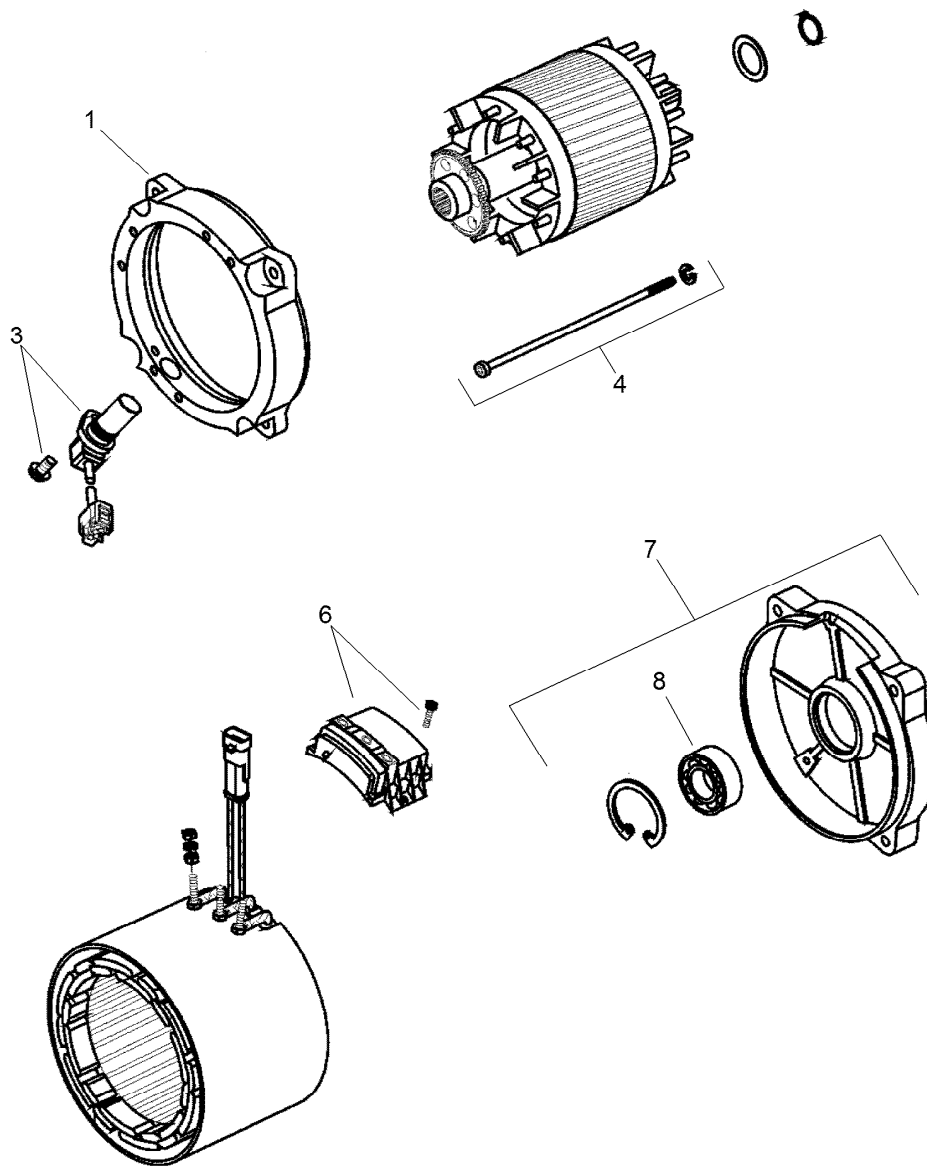
| Ref. | Part Number | Qty. | Description |
|------|-------------|------|--------------------|
| 1 | 136-6340 | 1 | Transaxle ASM |
| 2 | 137-6936 | 1 | Motor-AC |
| 3 | 131-8570 | 2 | Spacer-Hardened |
| 4 | 140-4849 | 2 | Hub ASM, Rear |
| 4:2 | 10-6830 | 4 | Stud-Type, Drive |
| 5 | 92-5836 | 2 | Washer |
| 6 | 32136-5 | 2 | Nut-Hex, Slotted |
| 7 | 139-4495 | 2 | Wheel And Tire ASM |
| 7:1 | 131-8317 | 1 | Wheel |
| 7:2 | 232-27 | 1 | Stem-Valve |
| 7:3 | 139-4475 | 1 | Tire-20 X 8.00-10 |
| 8 | 242-50 | 8 | Nut-Lug |
| 9 | 1-806800 | 2 | Pin-Cotter |

| Ref. | Part Number | Qty. | Description |
|------|-------------|------|------------------------------|
| 10 | 127-8859 | 1 | Bellows-Breather |
| 11 | 140-2568-03 | 1 | Gtx-E Swing Arm ASM [black] |
| 12 | 33103-030 | 6 | Screw-HHF |
| 13 | 131-8416 | 1 | Bracket-Cable |
| 14 | 131-8482 | 1 | Retainer-Isolator |
| 15 | 131-8420 | 1 | Isolator-Clamp |
| 16 | 49-2040 | 1 | Screw-HWHTF |
| 17 | 2412-146 | 1 | Clamp-Hose |
| 18 | 122-0743 | 3 | Cable-Battery, Rd ASM |
| 19 | 137-9984 | 1 | Decal-Load, Towing |
| 99 | 107-0392 | 1 | Protection-Terminal, Aerosol |



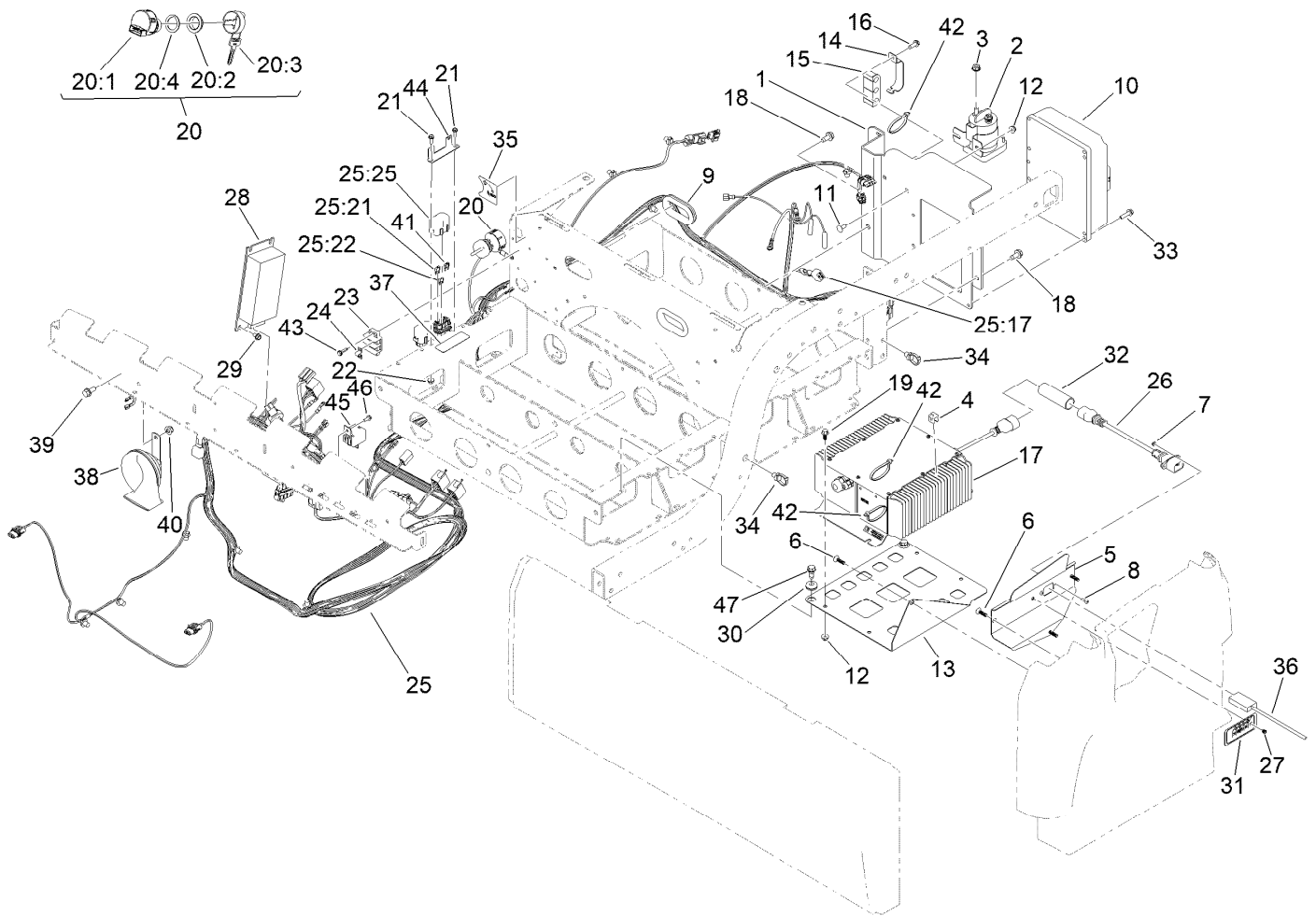
Transaxle Assembly No. 136-6340

| Ref. | Part Number | Qty. | Description | Ref. | Part Number | Qty. | Description |
|------|-------------|------|-----------------------|------|-------------|------|-------------------|
| 1 | 133-2447 | 1 | Housing-Axle | 15 | 133-2461 | 1 | Differential ASM |
| 2 | 133-2448 | 4 | Bolt-Cap, Bearing | 16 | 133-2462 | 4 | Bolt-HHF |
| 3 | 133-2485 | 1 | Gear-Input | 17 | 133-2463 | 4 | Nut-Lock |
| 4 | 133-2450 | 3 | Ring-Retaining | 18 | 133-2487 | 1 | Input Gear Kit |
| 5 | 133-2451 | 3 | O-Ring | 19 | 136-6341 | 1 | Plate-Cover |
| 6 | 133-2452 | 1 | Bearing-Ball | 20 | 133-2466 | 1 | Plug-HH |
| 7 | 133-2453 | 1 | Bearing-Ball | 21 | 133-2467 | 10 | Screw-Tapping |
| 8 | 133-2454 | 1 | Seal-Oil | 22 | 133-2468 | 1 | Elbow-Hose |
| 9 | 133-2455 | 2 | Plug-Cap, End | 23 | 133-2469 | 1 | Shaft-Axle, LH |
| 10 | 133-2456 | 2 | Bearing-Ball | 24 | 133-2470 | 1 | Shaft-Axle, RH |
| 11 | 133-2486 | 1 | Intermediate Gear ASM | 25 | 112-3140 | 2 | Seal-Oil |
| 12 | 133-2458 | 2 | O-Ring | 26 | 133-2472 | 4 | Ring-Retaining |
| 13 | 133-2459 | 1 | Gear-Drive, Final | 27 | 108-2425 | 2 | Bearing-Ball |
| 14 | 133-2460 | 2 | Bearing-Ball | 28 | 108-2409 | 1 | Internal Gear Kit |



Electric Motor Assembly No. 137-6936

| <i>Ref.</i> | <i>Part Number</i> | <i>Qty.</i> | <i>Description</i> |
|-------------|--------------------|-------------|--------------------|
| 1 | 132-4924 | 1 | Bracket-End, Drive |
| 3 | 132-4925 | 1 | Sensor |
| 4 | 132-4926 | 1 | Screw |
| 6 | 132-4927 | 1 | Plate-Connection |
| 7 | 132-4928 | 1 | Bracket-End, Rear |
| 8 | 132-4929 | 1 | Bearing |

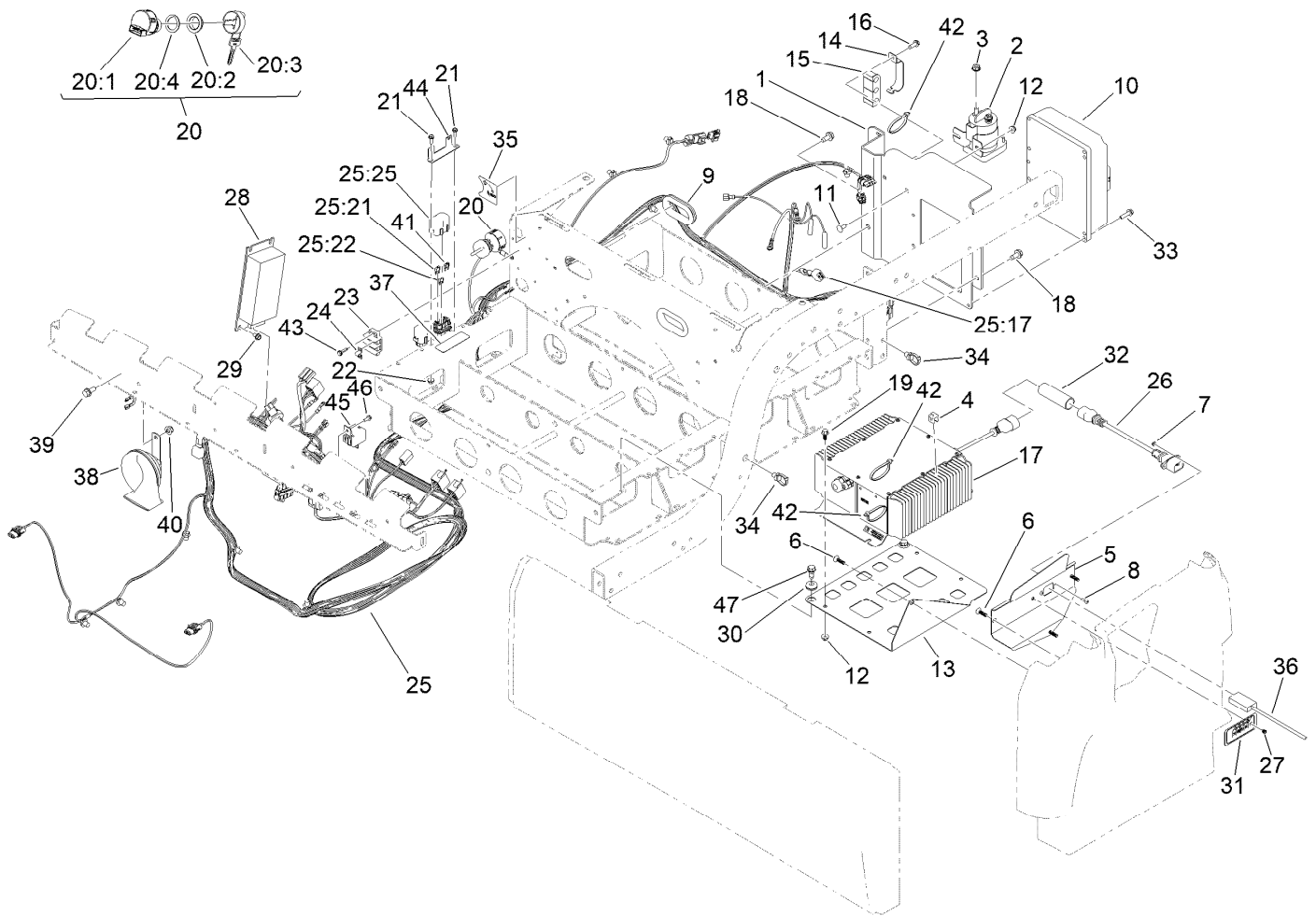


Controller Assembly

| Ref. | Part Number | Qty. | Description | Ref. | Part Number | Qty. | Description |
|------|-------------|------|--------------------------------|-------|-------------|------|--------------------------|
| 1 | 131-8415-03 | 1 | Bracket-Controller | 17 | 131-8490 | 1 | Charger-48V Onboard |
| 2 | 104-7136 | 1 | Contactora-Trombetta | 18 | 32144-70 | 3 | Screw-HWHTF |
| 3 | 107-0380 | 2 | Nut-HHF | 19 | 99-6810 | 4 | Screw-HHF |
| 4 | 32180-082 | 1 | Clip-Edge W/Tie, Perpendicular | 20 | 110-2580 | 1 | Switch-Key, Supervisor |
| 5 | 140-2578-05 | 1 | Bracket-Mounting, Charger Cord | 20:1 | | 1 | Switch-Key ■ |
| 6 | 120-2349 | 4 | Screw | 20:2 | 108-8660 | 1 | Nut-Mounting |
| 7 | 3296-54 | 2 | Nut-Lock | 20:3 | 110-5221 | 1 | Set-Key, Supervisor |
| 8 | 3250-26 | 2 | Screw-PPH | 20:4 | 108-8659 | 1 | Washer-Backup |
| 9 | 240-12 | 2 | Grommet-Rubber | 21 | 32105-23 | 2 | Screw |
| 10 | 137-9898 | 1 | Controller-Sevcon | 22 | 3290-148 | 2 | Nut-HF |
| 11 | 3229-11 | 2 | Screw-CARR | 23 | 42862 | 1 | Block-Terminal, Ground |
| 12 | 104-7201 | 6 | Nut-HF, NI | 24 | 42863 | 1 | Strip-Jumper |
| 13 | 140-2598-03 | 1 | Bracket-Mounting, Charger | 25 | 122-1475 | 1 | Harness-Wire, Main |
| 14 | 131-8482 | 1 | Retainer-Isolator | 25:17 | 100-4918 | 2 | Diode |
| 15 | 131-8420 | 1 | Isolator-Clamp | 25:18 | 32160-092 | 1 | Connector-Mp280, 2F ● |
| 16 | 49-2040 | 1 | Screw-HWHTF | 25:21 | 121-8880 | 1 | Fuse-Mini Blade, 10 Amp |
| | | | | 25:22 | 121-8882 | 1 | Fuse-Mini Blade, 20 Amp |
| | | | | 25:23 | 121-8864 | 1 | Fuse-Mini Blade, 5 Amp ● |

● Not illustrated

■ Not serviced separately

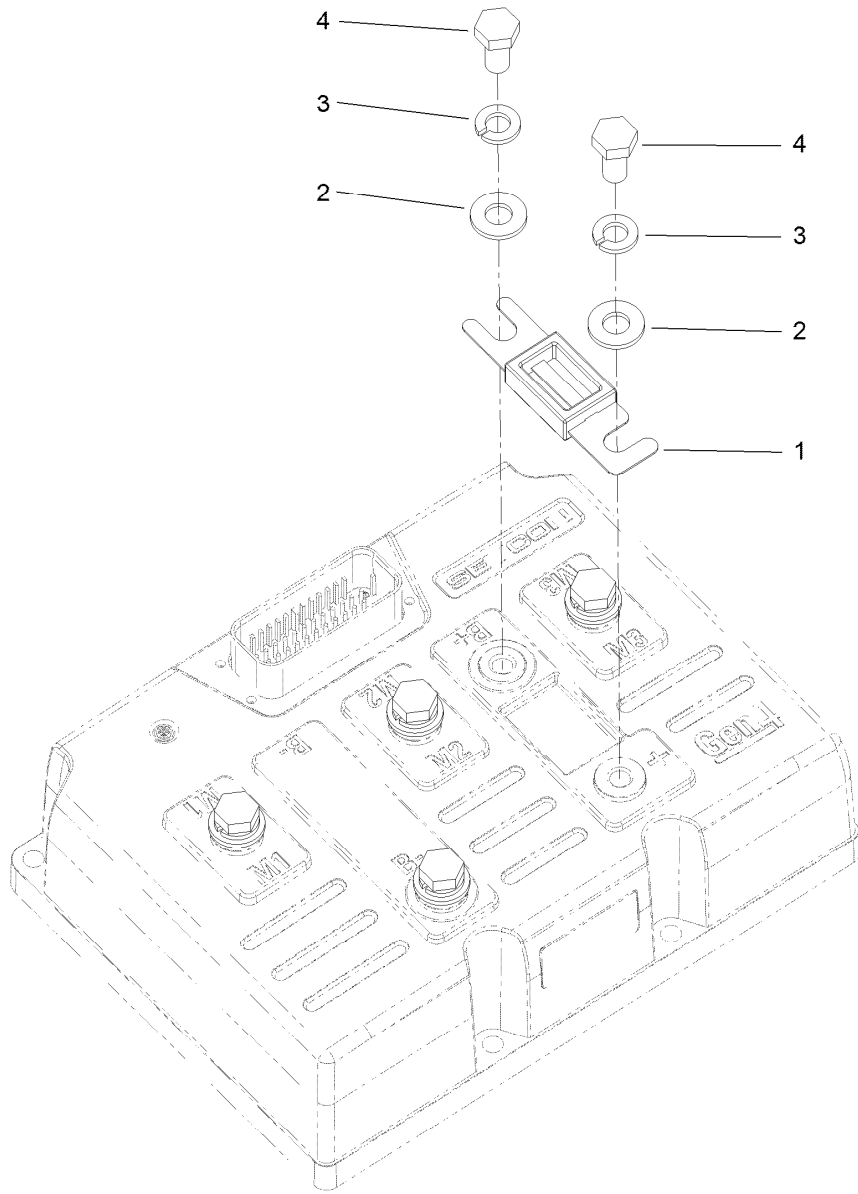


Controller Assembly (continued)

| Ref. | Part Number | Qty. | Description | Ref. | Part Number | Qty. | Description |
|-------|-------------|------|------------------------------------|------|-------------|------|-----------------------------|
| 25:24 | 121-8866 | 1 | Fuse-Mini Blade, 10 Amp ● | 36 | 107-0383 | 1 | Powercord-AC, U.K. |
| 25:25 | 32180-195 | 2 | Cover-Cooper-Bussmann, Cfh (Short) | 36 | 107-0384 | 1 | Powercord-AC |
| 26 | 131-8497 | 1 | Cordset | 37 | 139-3338 | 1 | Decal-Fuse Block, 48V |
| 27 | 131-8499 | 1 | Holder-LED | 38 | 107-0358 | 1 | Horn |
| 28 | 137-7952 | 1 | Converter-DC-DC | 39 | 3234-5 | 1 | Screw-HHF |
| 29 | 99-8445 | 2 | Screw-HWH | 40 | 104-8300 | 1 | Nut-HF, NI |
| 30 | 109-0023 | 2 | Grommet | 41 | 121-8884 | 1 | Fuse-Mini Blade, 30 Amp |
| 31 | 131-8495 | 1 | Decal-Function, Charger | 42 | 3290-378 | 3 | Tie-Cable |
| 32 | 107-0341 | 1 | Tube-Shrink, Heat | 43 | 100-4351 | 2 | Screw-HWH |
| 33 | 32144-86 | 4 | Screw-HWHTF | 44 | 138-9299 | 1 | Bracket-Fuse Block |
| 34 | 32180-030 | 3 | Clip-Tie | 45 | 122-2401 | 1 | Relay, 48V Coil, 50A At 48V |
| 35 | 131-8527 | 1 | Decal-Mode | 46 | 32144-1 | 1 | Screw-Taptite |
| 36 | 107-0382 | 1 | Powercord-AC, Europe | 47 | 126-4424 | 2 | Screw-Shoulder |

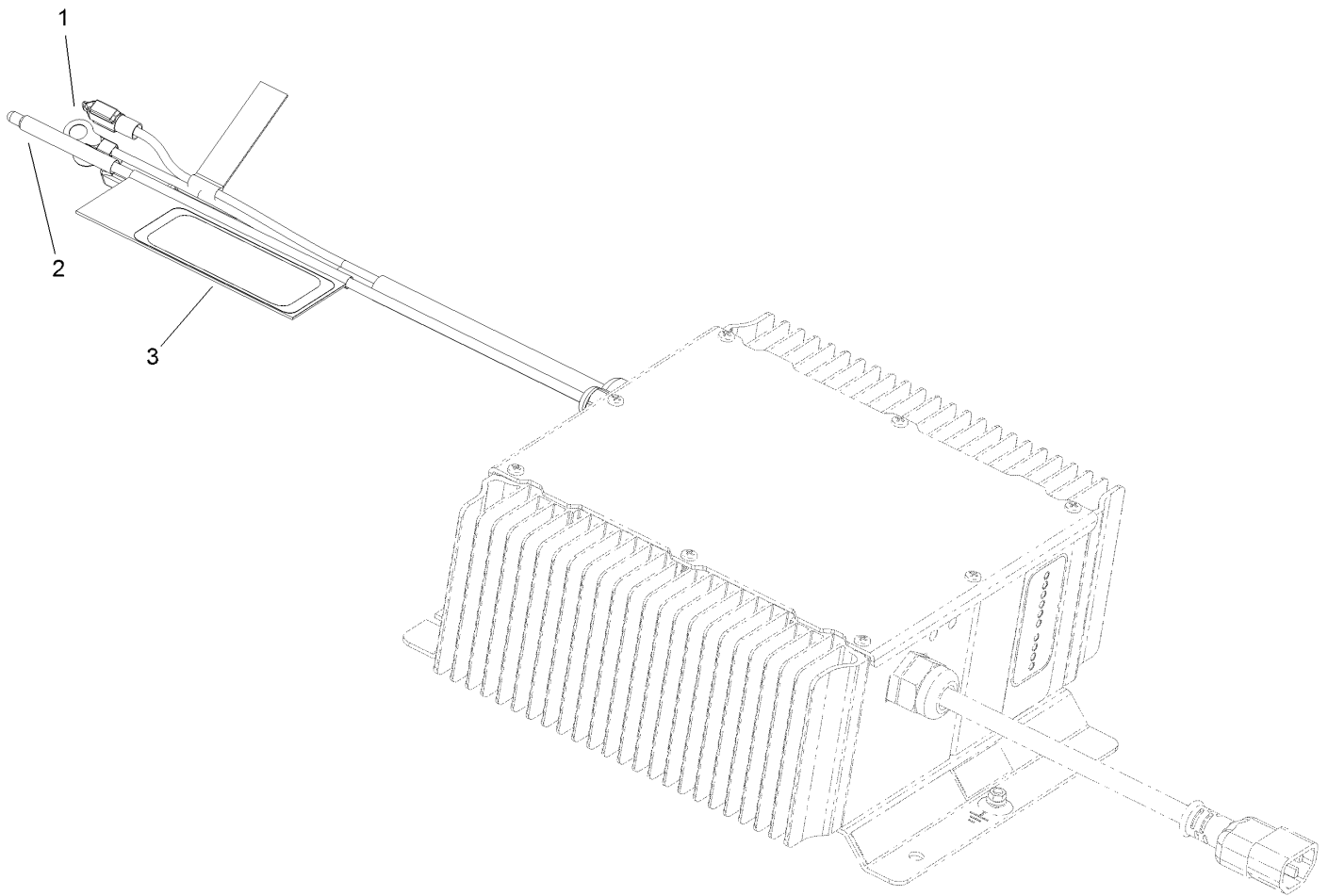
● Not illustrated

■ Not serviced separately



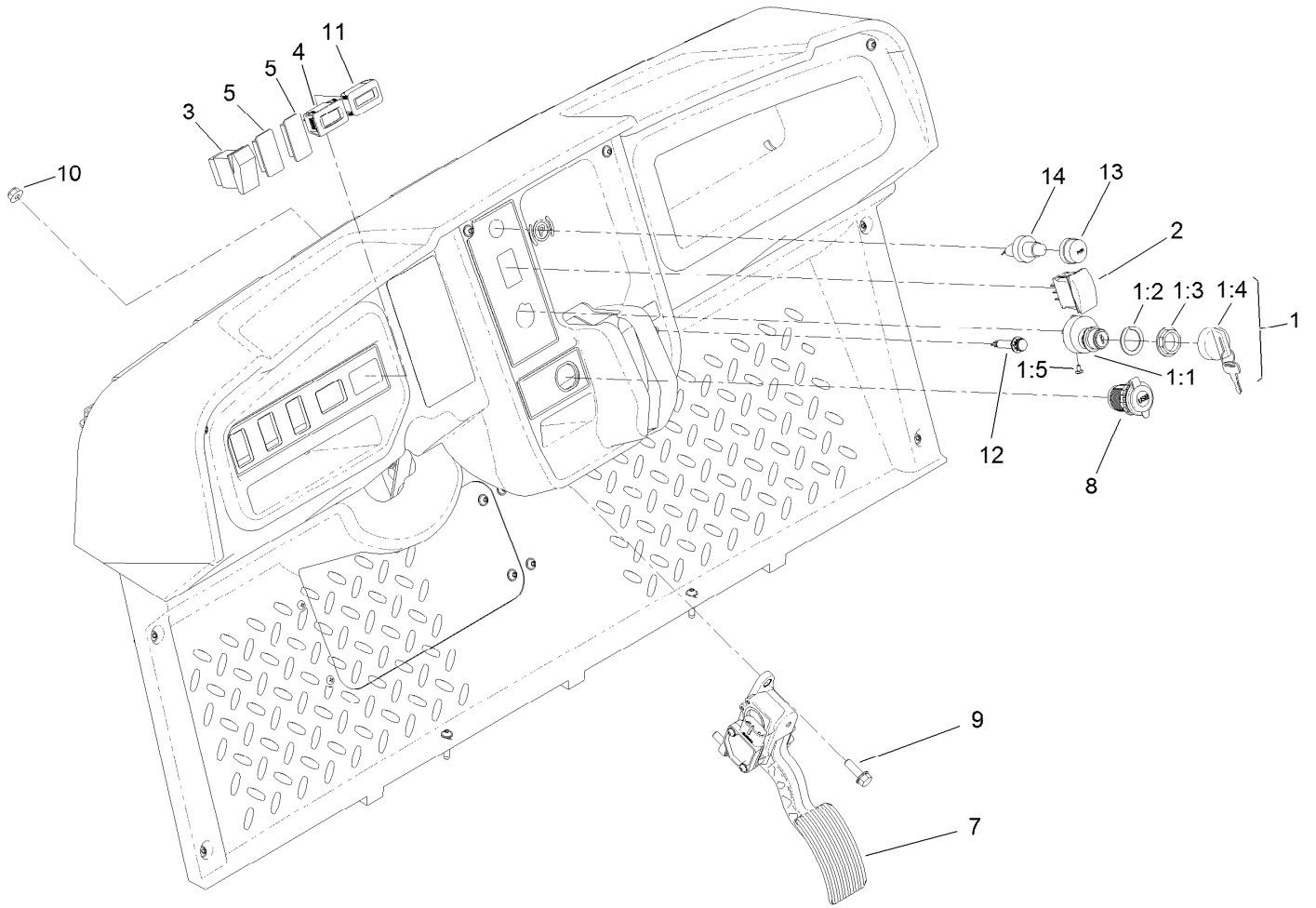
Sevcon Controller Assembly No. 137-9898

| <i>Ref.</i> | <i>Part Number</i> | <i>Qty.</i> | <i>Description</i> |
|-------------|--------------------|-------------|--------------------|
| 1 | 131-8494 | 1 | Fuse-425 Amp |
| 2 | 33094-00 | 6 | Washer-Plain |
| 3 | 3253-4 | 6 | Washer-Lock |
| 4 | 33114-016 | 6 | Screw-HH |



Onboard Charger Assembly No. 131-8490

| <i>Ref.</i> | <i>Part Number</i> | <i>Qty.</i> | <i>Description</i> |
|-------------|--------------------|-------------|-------------------------|
| 1 | 131-8511 | 1 | Thermister Repair Kit |
| 2 | 131-8512 | 1 | Remote LED |
| 3 | 131-8495 | 1 | Decal-Function, Charger |



Accelerator Pedal and Key Switch Assembly

| Ref. | Part Number | Qty. | Description |
|------|-------------|------|--------------------------|
| 1 | 120-4815 | 1 | 48V Key Switch ASM |
| 1:1 | | 1 | Switch-Key ● |
| 1:2 | 108-8659 | 1 | Washer-Backup |
| 1:3 | 108-8660 | 1 | Nut-Mounting |
| 1:4 | 106-5270 | 1 | Ignition Key Set |
| 1:5 | 3250-28 | 3 | Screw |
| 2 | 122-0784 | 1 | Switch-Rocker, On-Off-On |
| 3 | 95-8999 | 1 | Switch |
| 4 | 120-2244 | 1 | Hourmeter |

| Ref. | Part Number | Qty. | Description |
|------|-------------|------|-------------------|
| 5 | 99-7420 | 2 | Plug-Hole |
| 7 | 121-9675 | 1 | Pedal-Accelerator |
| 8 | 131-8388 | 1 | Socket-USB |
| 9 | 3234-29 | 3 | Screw-HHF |
| 10 | 104-8300 | 3 | Nut-HF, NI |
| 11 | 131-8381 | 1 | Gauge-Battery |
| 12 | 140-4603 | 1 | Light-Indicator |
| 13 | 112-3324 | 1 | Switch-Horn |
| 14 | 112-3313 | 1 | Nut-Weatherproof |

● Not serviced separately

Attachments and Accessories

For 07412EX Workman GTX Electric Utility Vehicle with Extended Chassis

| Product Name | Model/Part |
|---|-------------------|
| Workman GTX 2-Person Canopy | 07921 |
| Workman GTX 4-Person Canopy | 07922 |
| 48V Electric Lift Kit..... | 07143 |
| Door Mount Mirror Kit..... | 136-1997 |
| Brush Guard Kit..... | 07145 |
| Front Hitch Kit, Workman GTX Series Utility Vehicles with Brush Guard | 07146 |
| Small Seat Cover..... | 131-6690 |
| Front Hitch Kit, Workman GTX or MDX Series Utility Vehicles without Brush Guard | 07147 |
| Extended Bed Kit..... | 07149 |
| Storage Box Kit..... | 07156 |
| Brake and Signal Light Kit..... | 132-8579 |
| Walk Spreader Mounting Kit | 07029 |
| 6in L-Track Kit..... | 07158 |
| 2in L-Track Kit..... | 07159 |
| Hose Reel Mounting Kit | 07027 |
| Aggressive Tire Kit..... | 07423 |
| Hand Pump Hose Asm | 131-8522 |
| Horn Kit..... | 133-3017 |
| Beacon Kit | 130-5484 |
| Reverse Alarm Kit..... | 131-8549 |
| Power Point Kit | 131-8550 |
| Exterior Mirror Kit..... | 130-5448 |
| Power Converter Kit..... | 133-0959 |
| Trash Can Mounting Kit | 07028 |
| Bed Rack Kit..... | 07031 |
| Cab Kit..... | 07142 |
| Canopy Kit, Multi-passenger Workman GTX Utility Vehicle | 07141 |
| Mount-Ball | 133-7116 |
| Road Light and Homologation Kit | 133-7128 |
| 48V 6 Foot Bed Electric Lift Kit..... | 07168 |
| Tire-20 8.00-10 | 116-7333 |
| Cab Mount Kit, Workman GTX Utility Vehicle with Extended Flatbed | 133-7198 |
| Service Hood ASM | 133-7209 |
| ROPS Kit | 07032 |
| Cargo Bed Kit | 07046 |
| Bench Seat Base Kit..... | 07047 |
| Bucket Seat Base Kit..... | 07048 |
| Extension Kit..... | 07049 |
| Small Bedrack Mount Grip Kit..... | 136-6311 |
| Large Bedrack Mount Grip Kit..... | 136-6312 |
| Deionizer-Water..... | 137-2884 |
| Plate-Skid | 137-2887-03 |
| Ignition Switch ASM (Key1) | 138-3505 |
| Ignition Switch ASM (Key2) | 138-3506 |
| Ignition Switch ASM (Key3) | 138-3507 |
| Ignition Switch ASM (Key4) | 138-3508 |

Attachments and Accessories (continued)

| | |
|---|-------------|
| Ignition Switch ASM (Key5) | 138-3509 |
| Glove Box Cover Kit | 137-2883 |
| Steel Bed Side Kit..... | 07180 |
| Tube Sides Kit | 07181 |
| Fold-Down Rear Facing Seat..... | 07123 |
| Tire/Wheel Asm | 131-8319 |
| Van Box | 07440 |
| Folding Windshield Kit, Workman GTX Utility Vehicle with Canopy..... | 07923 |
| Work Light Kit | 130-5485 |
| Interior Mirror Kit..... | 130-5449 |
| Tire | 94-5236 |
| Windshield Washer Fluid Kit, 2015 and after Workman MD/HD Series Utility Vehicle..... | 130-5615 |
| Wide Angle Mirror Kit..... | 133-1009 |
| Wide Angle Mirror Kit..... | 133-1038 |
| Bracket-Mount, Radio..... | 133-7111-03 |
| Wireless Hourmeter Finish Kit | 139-4627 |
| GTX Ball Cage ROPS, Certified..... | 07161 |
| Canopy W/ ROPS..... | 07169 |
| Canopy Mount Kit, Workman GTX Utility Vehicle with Extended Flatbed | 07199 |
| Full Shelf For Van Box | 07441 |



Count on it.