



Count on it.

Parts Catalog

**Workman® MDX
Utility Vehicle**

Model No. 07235—Serial No. 408000000 and Up



Ordering Replacement Parts

To order replacement parts, please supply the part number, the quantity, and the description of each part desired.

Understanding Reference Numbers

Each identified part in an illustration has a reference number. The reference number for a part also appears in the parts list, along with other information about the part.

This catalog uses two special reference number formats, one to indicate parts in a service assembly and another to indicate the quantity of a given part in an illustration.

Service Assembly Reference Numbers

Parts in service assemblies have reference numbers in the form a:b. The a represents the reference number of the entire service assembly and the b represents a sequential number unique to each part within the service assembly.

For example, a wheel assembly might be identified by reference number 6, the tire by 6:1, the valve by 6:2, and the wheel by 6:3. When you order the assembly identified by reference number 6, you receive all parts identified by reference numbers 6:1, 6:2, and 6:3. However, you may also order any part individually. Reference numbers of this type appear in illustration and in parts lists.

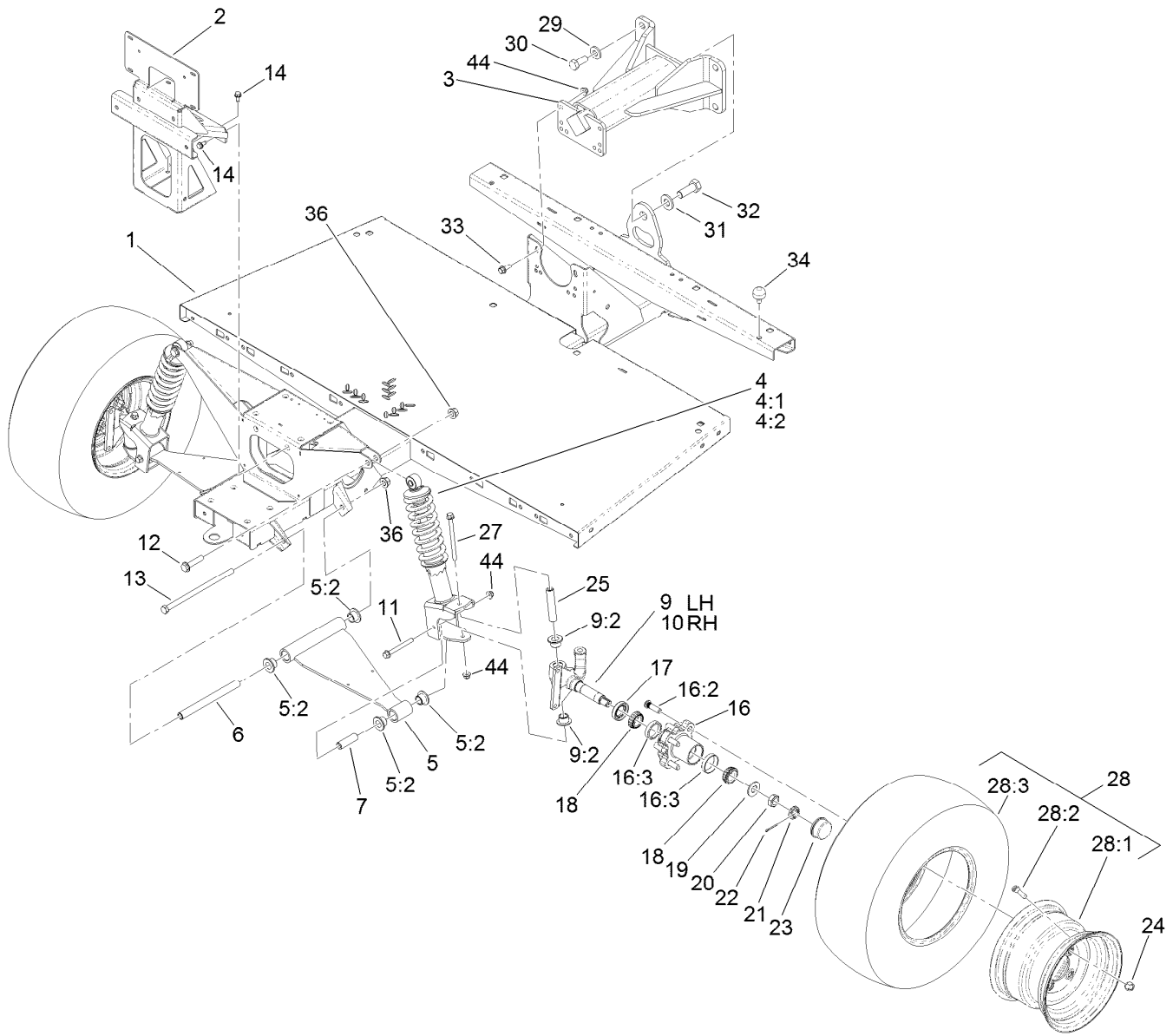
Reference Numbers Indicating Quantity

In an illustration, if a reference number indicates more than one part, the reference number has the form nX y. The n represents the quantity of the part, the X is the multiplication symbol, and the y represents the reference number.

For example, in an illustration, the reference number 2X 37 means that two of the parts identified by reference number 37 are indicated.

Contents

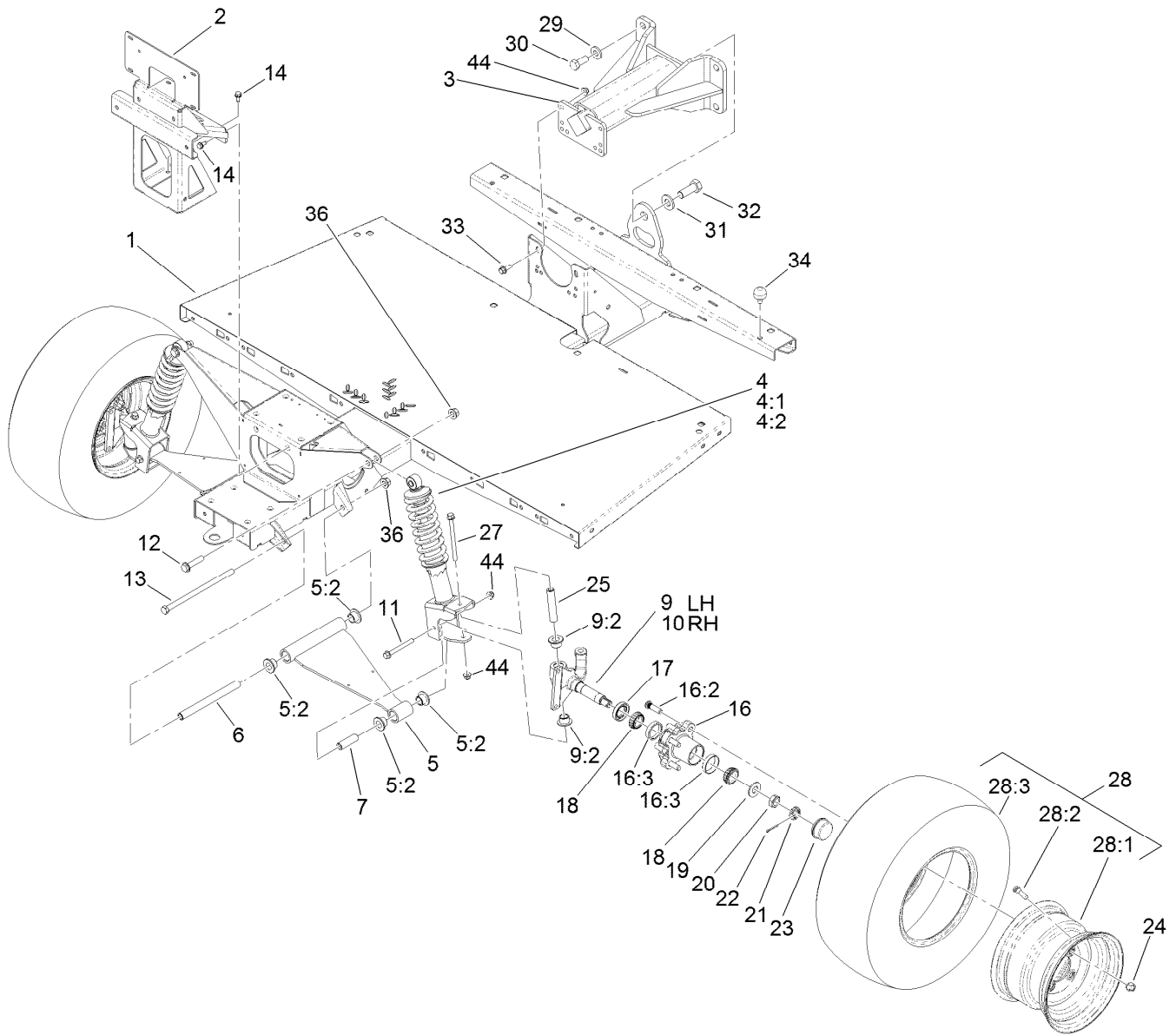
Front Frame and Suspension Assembly	4
Rear Frame and Suspension Assembly	6
Front Brake Assembly	7
Master Cylinder Assembly No. 104-6782	8
Brake Caliper Assembly No. 127-7424	9
Rear Brake Assembly	10
RH Rear Brake Assembly No. 114-8331	11
LH Rear Brake Assembly No. 114-8332	12
Steering Assembly	13
Pedal Assembly	14
Shifter Assembly	15
Hood and Fender Assembly	16
Dash Assembly	17
Control Panel Assembly	18
Seatbase Assembly	19
Cargo Bed Assembly	20
Cargo Bed and Tailgate Service Assembly No. 133-0560	21
Engine, Clutch and Air Cleaner Assembly	22
Primary Clutch Assembly No. 138-0094	24
Air Cleaner Assembly No. 99-7120	25
Battery Assembly	26
Rear Axle Drive System Assembly	27
Transaxle Assembly No. 119-0760	28
Secondary Clutch Assembly No. 136-6289	30
Electrical Assembly	31
Starter Generator Assembly No. 131-8444	32
Fuel Tank Assembly	33
Attachments and Accessories	34



Front Frame and Suspension Assembly

Ref.	Part Number	Qty.	Description	Ref.	Part Number	Qty.	Description
1	132-6735-03	1	Frame-Front	12	3234-46	2	Screw-HHF
2	132-6736-03	1	Support-Bumper	13	325-39	2	Screw-HH
3	99-7700	1	Yoke-Pivot	14	32144-70	6	Screw-HWHTF
4	132-6791	2	Strut ASM	16	127-8851	2	Front Hub ASM
4:1	133-0556	1	Spring-Coil	16:2	10-6830	4	Stud-Type, Drive
4:2	131-8574	1	Isolator-Shock	16:3	254-72	2	Bearing-Cup, Tapered
5	144-2160	2	Control Arm ASM	17	112-1690	2	Seal-Oil
5:2	140-4615	4	Bushing-Flange	18	254-94	4	Bearing-Cone, Tapered
5:3	144-2159	2	Plug-Taper Self Forming ●	19	93-0309	2	Washer-Tab
6	133-0595	2	Sleeve-Control Arm, Inner	20	3220-7	2	Nut-Jam
7	131-8583	2	Sleeve-Control Arm, Outer	21	93-0307	2	Nut-Lock, Retainer
9	144-2162	1	Spindle ASM, LH	22	3272-12	2	Pin-Cotter
9:2	140-4615	2	Bushing-Flange	23	241-119	2	Cap-Dust
9:3	144-2159	1	Plug-Taper Self Forming	24	242-50	8	Nut-Lug
10	144-2163	1	Spindle ASM, RH ●	25	131-8582	2	Sleeve-Kingpin
10:2	140-4615	2	Bushing-Flange ●	27	139-3350	2	Screw-HF
10:3	144-2159	1	Plug-Taper Self Forming ●	28	133-0579	2	Wheel And Tire ASM
11	139-3370	2	Screw-HF	28:1	133-0590	1	Wheel

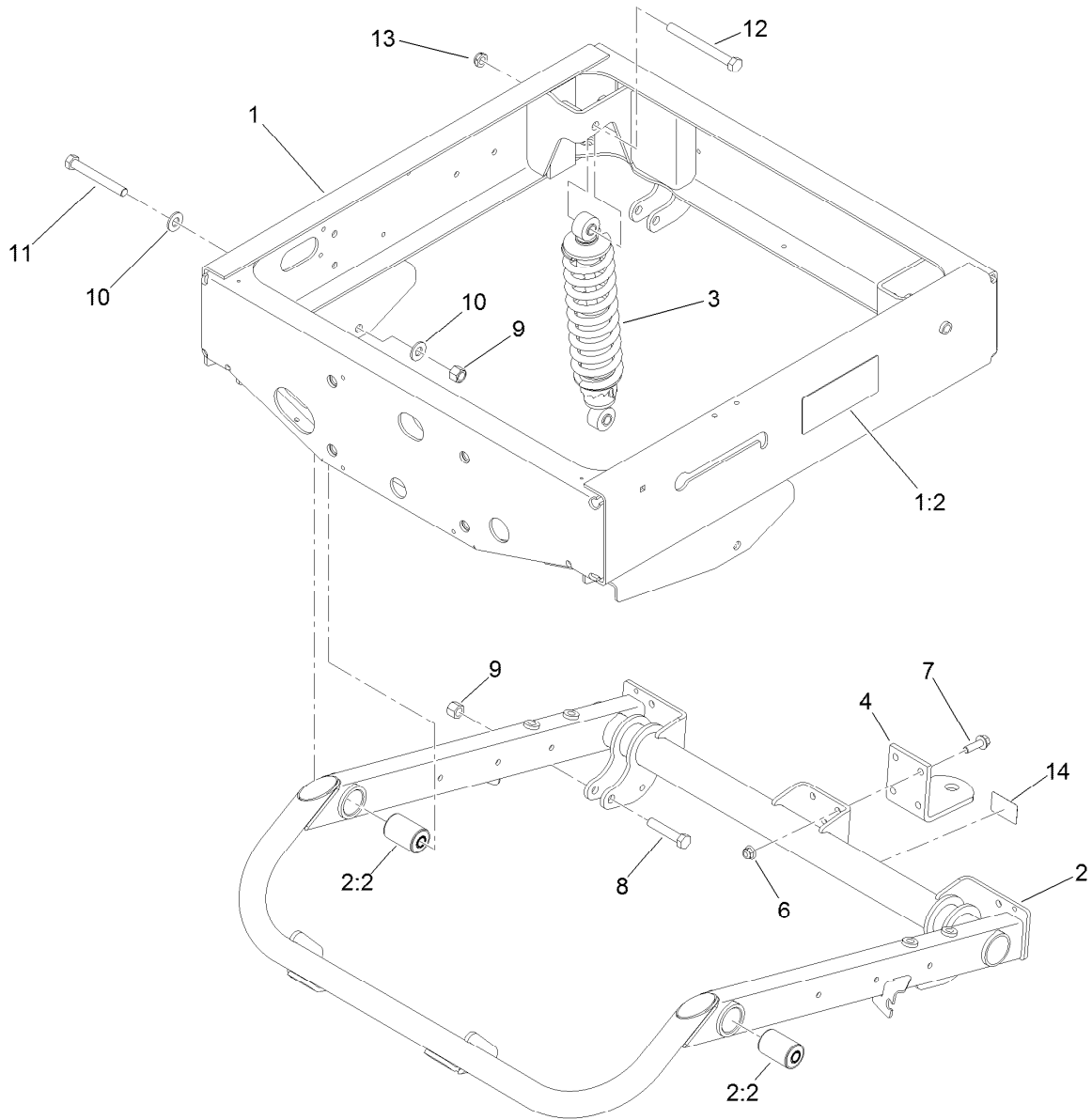
● Not illustrated



Front Frame and Suspension Assembly (continued)

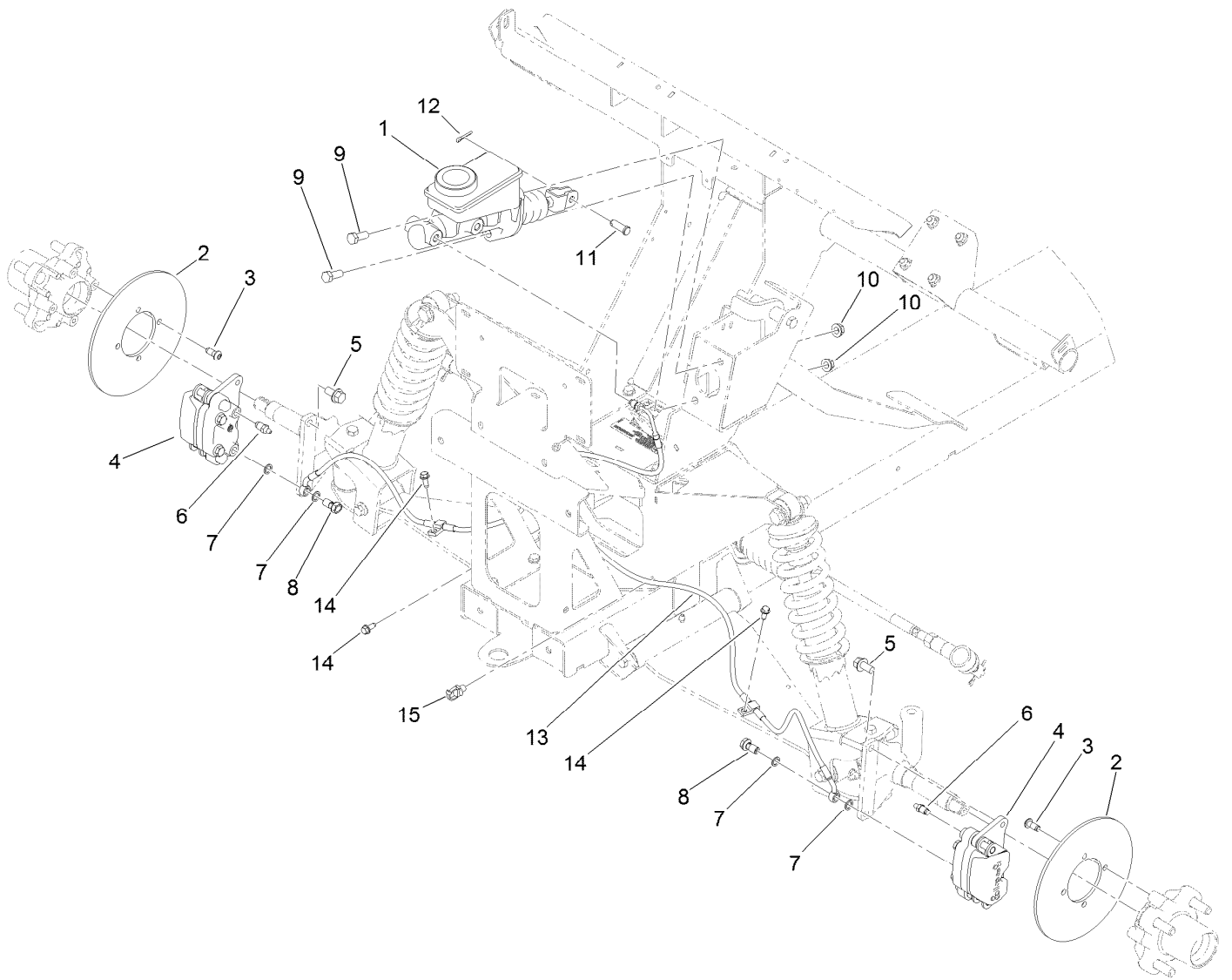
Ref.	Part Number	Qty.	Description	Ref.	Part Number	Qty.	Description
28:2	127-7435	1	Tire (22 X 9.50-10) 4-Ply	32	328-24	1	Screw-HH
28:3	232-27	1	Stem-Valve	33	131-2220	4	Screw-HHF
29	99-7667	4	Washer-Flat	34	87-2440	1	Bumper-Rubber
30	327-4	4	Screw-HH	36	99-5107	4	Nut-Lock
31	87-3060	1	Washer-Hardened	44	139-3380	8	Nut-HF

● Not illustrated



Rear Frame and Suspension Assembly

Ref.	Part Number	Qty.	Description
1	133-0610	1	Frame-Rear
1:2	99-7345	2	Decal-Warning
2	140-2596	1	Swing Arm ASM
2:2	112-3377	2	Bushing-Arm, Control
3	133-0553	2	Shock And Spring ASM
4	99-7654-03	1	Hitch-Duty, Light
6	104-8301	4	Nut-HF, NI
7	3234-24	4	Screw-HHF
8	325-10	2	Screw-HH
9	3296-23	4	Nut-Lock, NI
10	87-7270	4	Washer-Thrust
11	325-17	2	Screw-HH
12	325-19	2	Screw-HH
13	3296-45	2	Nut-Hex
14	136-1164	1	Decal-Load, Towing



Front Brake Assembly

Ref.	Part Number	Qty.	Description
1	104-6782	1	Master Cylinder ASM
2	136-6295	2	Rotor-Brake
3	121-9671	8	Screw-HSBH
4	127-7424	2	Brake Caliper ASM
5	3234-1	4	Screw-HHF
6	119-9509	2	Screw-Bleed
7	115-2341	4	Washer-Banjo
8	120-4875	2	Bolt-Flange, Banjo
9	323-6	2	Screw-HH
10	3290-357	2	Nut-HHF, Whiz
11	283-2	1	Pin-Clevis
12	3272-10	1	Pin-Cotter
13	132-6793	1	Line-Brake, Front
14	32144-10	3	Screw-HWH
15	32180-030	1	Clip-Tie



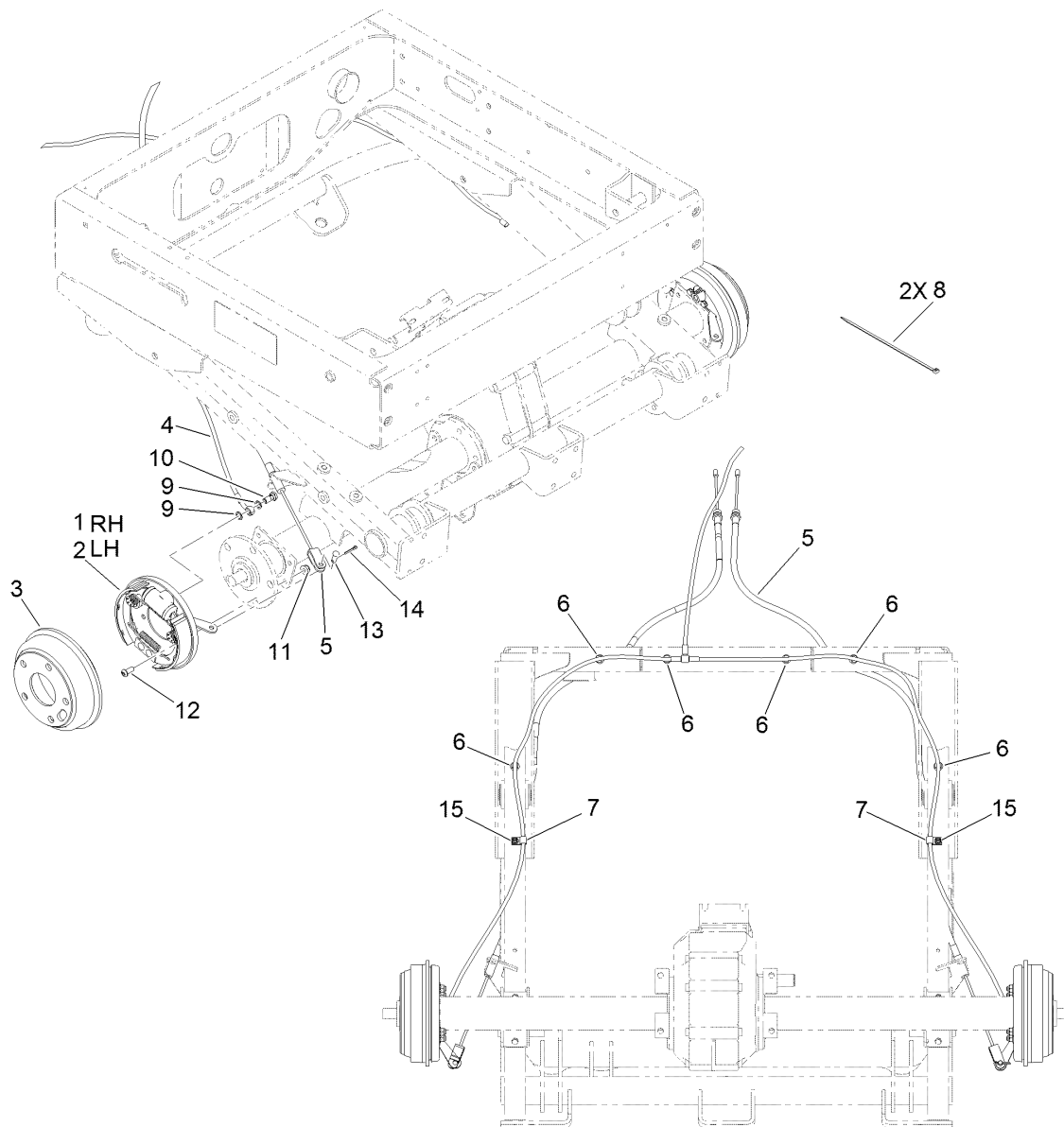
Master Cylinder Assembly No. 104-6782

Ref.	Part Number	Qty.	Description
1	104-6845	1	Reservoir ASM
1:1	92-4112	1	Cap ASM
2	93-8971	2	Seal-Port, Flange
3	92-4103	1	Pin-Stop
4	92-4102	1	Secondary Piston ASM
5	92-4110	1	Clevis
6	21-0360	1	Nut-Hex
7	94-5209	1	Cover-Dust
8	94-5210	1	Rod-Push
9	92-4109	1	Ring-Snap
10	92-4108	1	Retainer-Washer
11	92-4101	1	Primary Piston ASM



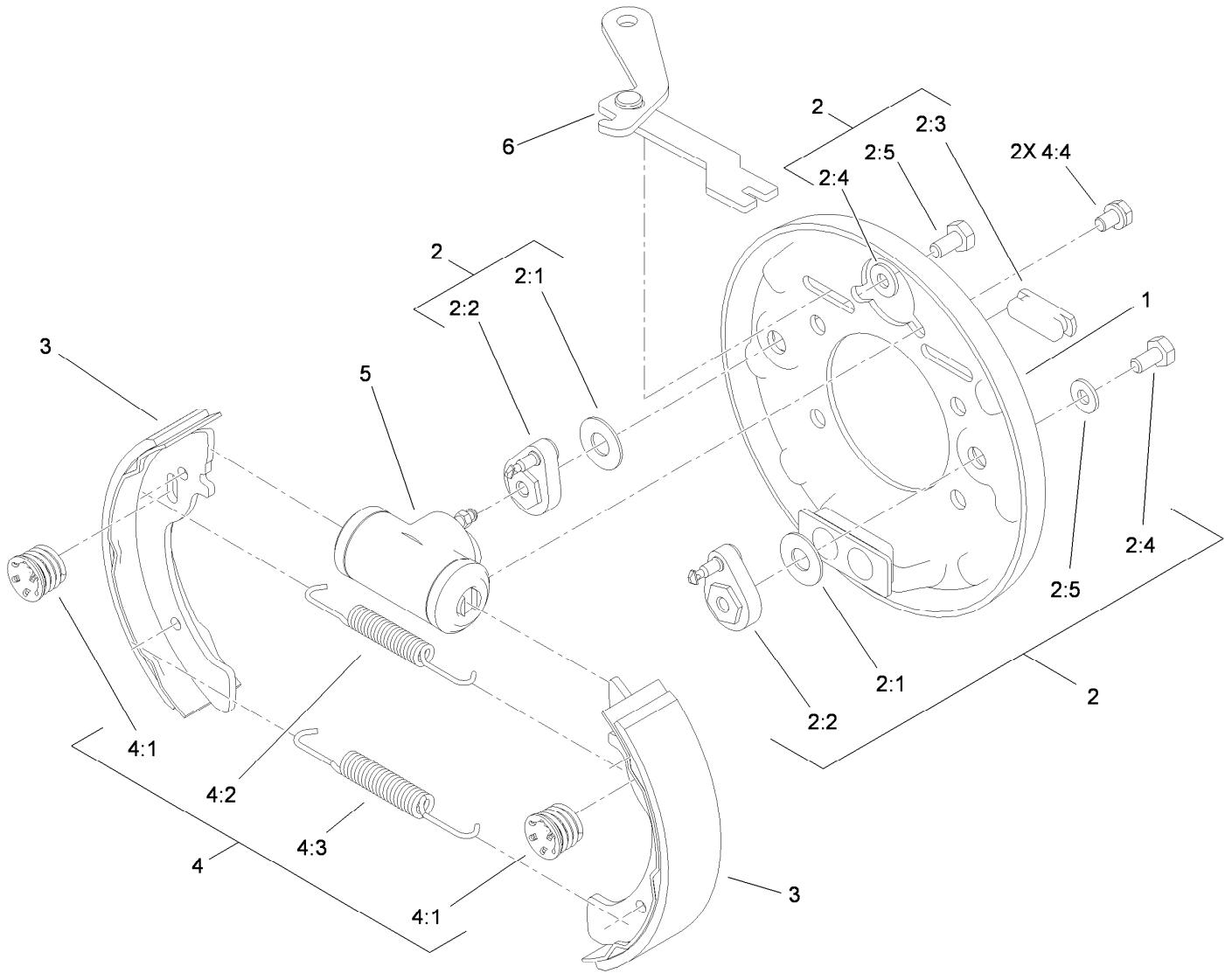
Brake Caliper Assembly No. 127-7424

<i>Ref.</i>	<i>Part Number</i>	<i>Qty.</i>	<i>Description</i>
1	133-0628	1	Brake Pad Kit
2	119-9511	1	Bracket Kit
3	133-0614	1	Piston Kit



Rear Brake Assembly

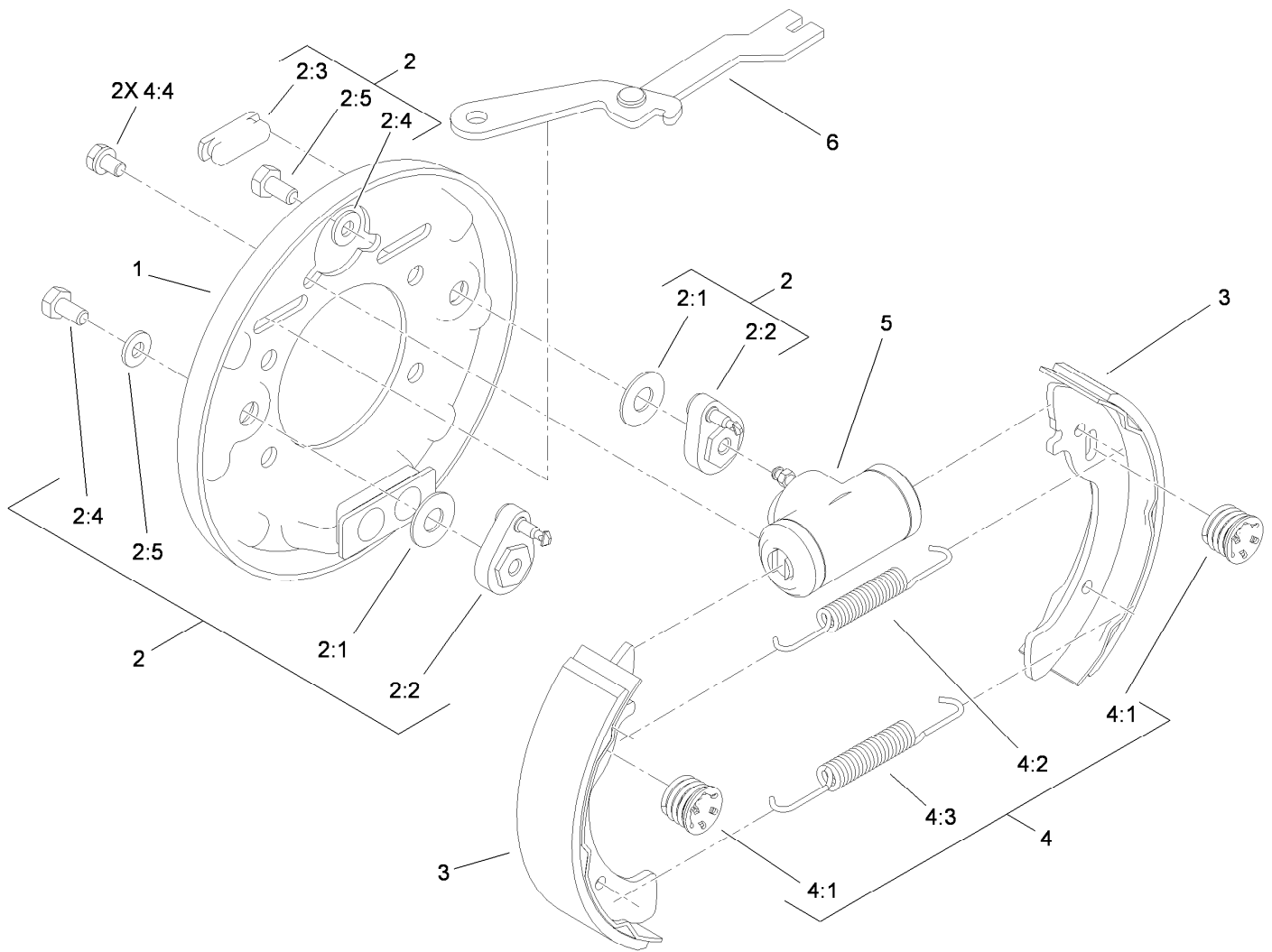
Ref.	Part Number	Qty.	Description
1	114-8331	1	RH Brake ASM
2	114-8332	1	LH Brake ASM
3	104-6500	2	Drum-Brake
4	112-2926	1	Rear Brake Line ASM
5	127-8684	2	Cable-Brake, Adjustable
6	32180-030	6	Clip-Tie
7	2412-89	2	Clamp-R
8	3290-378	2	Tie-Cable
9	115-2341	4	Washer-Banjo
10	115-2340	2	Bolt-Banjo
11	104-8300	8	Nut-HF, NI
12	3274-55	8	Screw-HSBH
13	283-62	2	Pin-Clevis
14	3272-10	2	Pin-Cotter
15	32104-17	2	Screw-HWH



RH Rear Brake Assembly No. 114-8331

Ref.	Part Number	Qty.	Description
1	100-8586	1	Backing Plate ASM
2	104-6820	1	Adjuster Kit
2:1	100-8585	2	Washer-Bellville
2:2	100-8588	2	Adjuster Lever ASM
2:3	100-8584	2	Cover-Dust
2:4		2	Washer ●
2:5		2	Bolt ●
3	104-6818	4	Shoe And Lining Kit
4	104-6819	1	Hardware Kit
4:1	100-8583	4	Shoe Hold Down Spring ASM
4:2	100-8581	2	Spring-Upper
4:3	100-8582	2	Spring-Lower
4:4	139-4494	4	Bolt And Washer ASM
5	114-8333	1	Wheel Cylinder ASM
6	104-6826	1	RH Park Brake Lever ASM

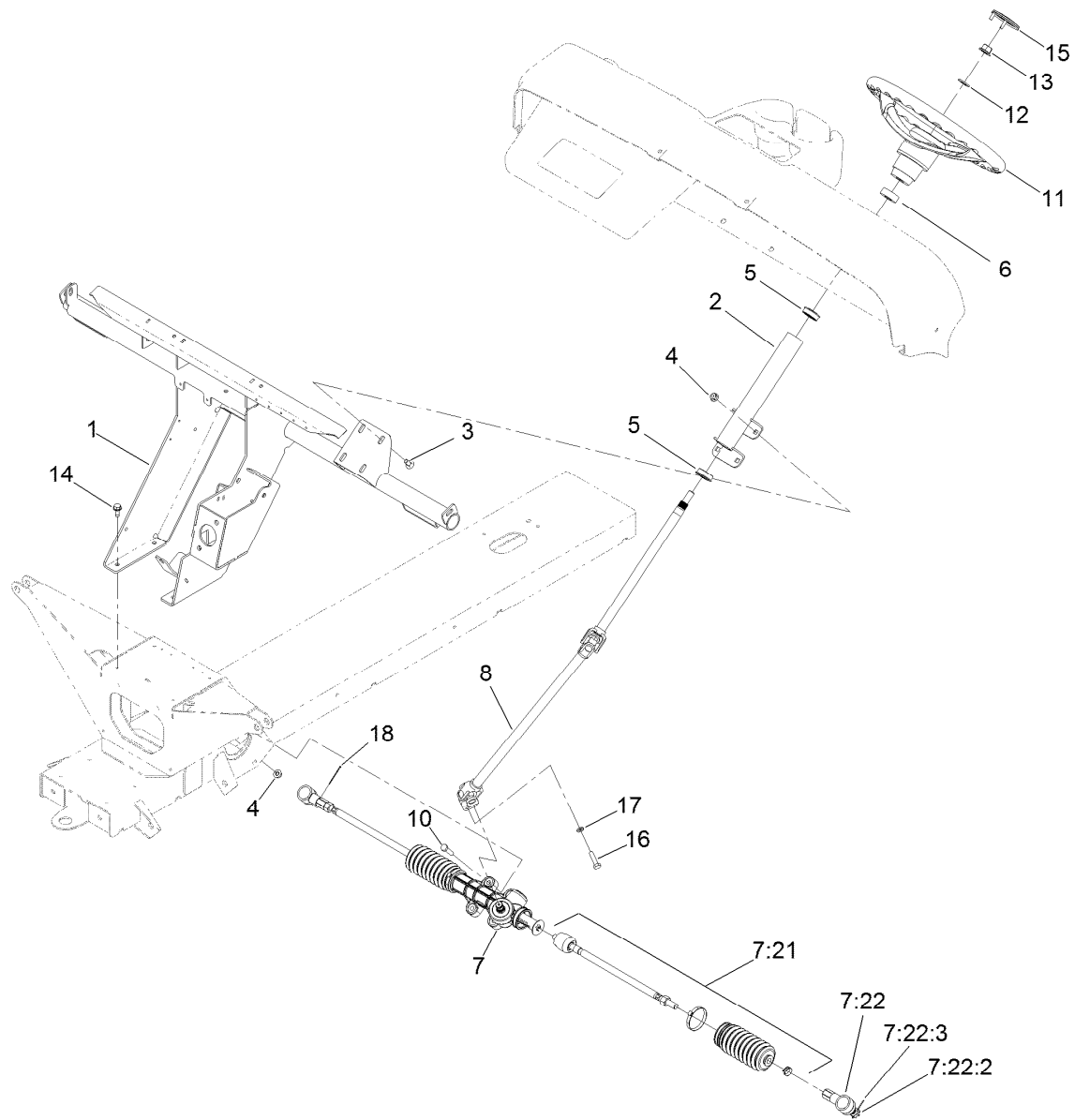
● Not serviced separately



LH Rear Brake Assembly No. 114-8332

Ref.	Part Number	Qty.	Description
1	100-8586	1	Backing Plate ASM
2	104-6820	1	Adjuster Kit
2:1	100-8585	2	Washer-Bellville
2:2	100-8588	2	Adjuster Lever ASM
2:3	100-8584	2	Cover-Dust
2:4		2	Washer ●
2:5		2	Bolt ●
3	104-6818	4	Shoe And Lining Kit
4	104-6819	1	Hardware Kit
4:1	100-8583	4	Shoe Hold Down Spring ASM
4:2	100-8581	2	Spring-Upper
4:3	100-8582	2	Spring-Lower
4:4	139-4494	4	Bolt And Washer ASM
5	114-8333	1	Wheel Cylinder ASM
6	104-6825	1	LH Park Brake Lever ASM

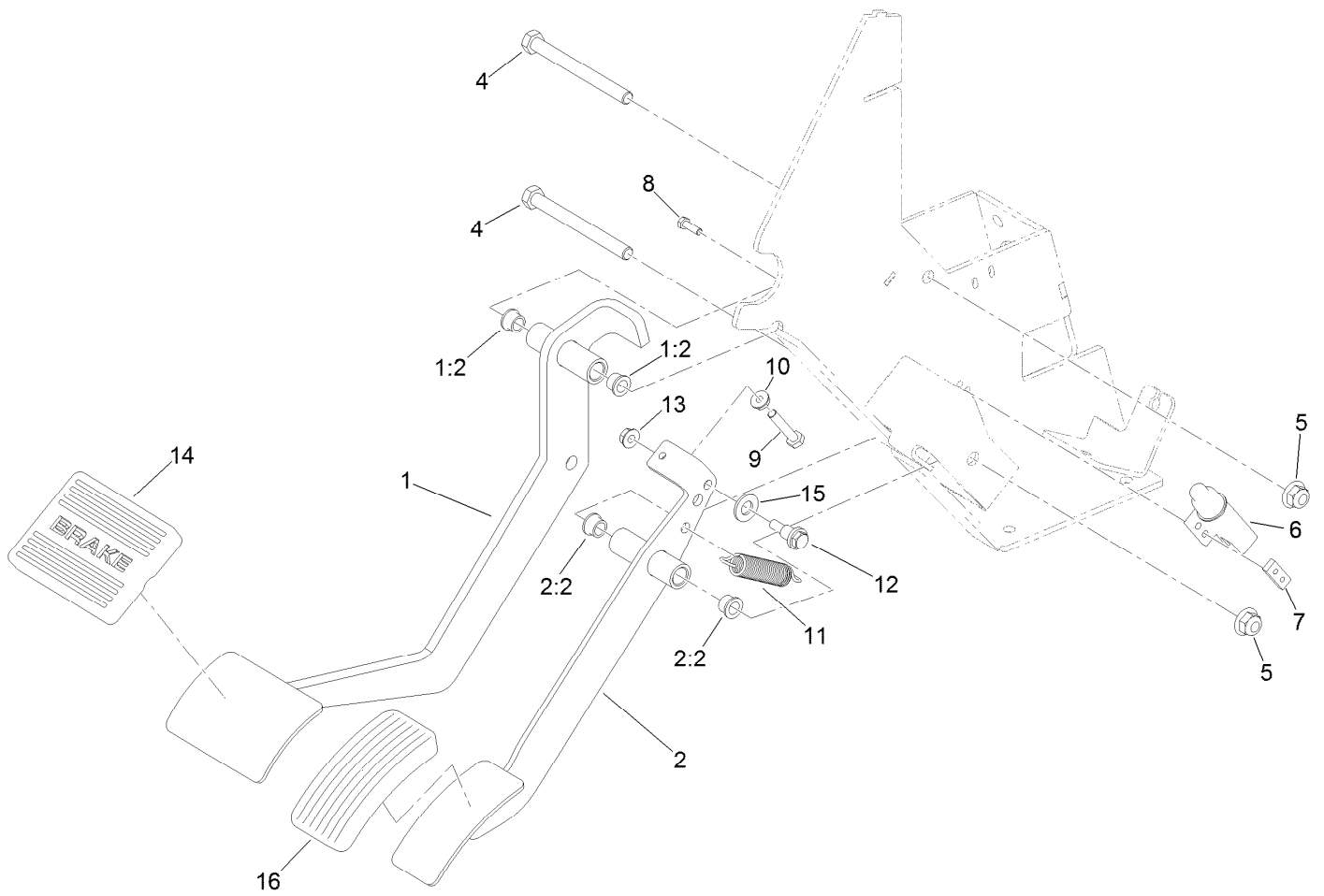
● Not serviced separately



Steering Assembly

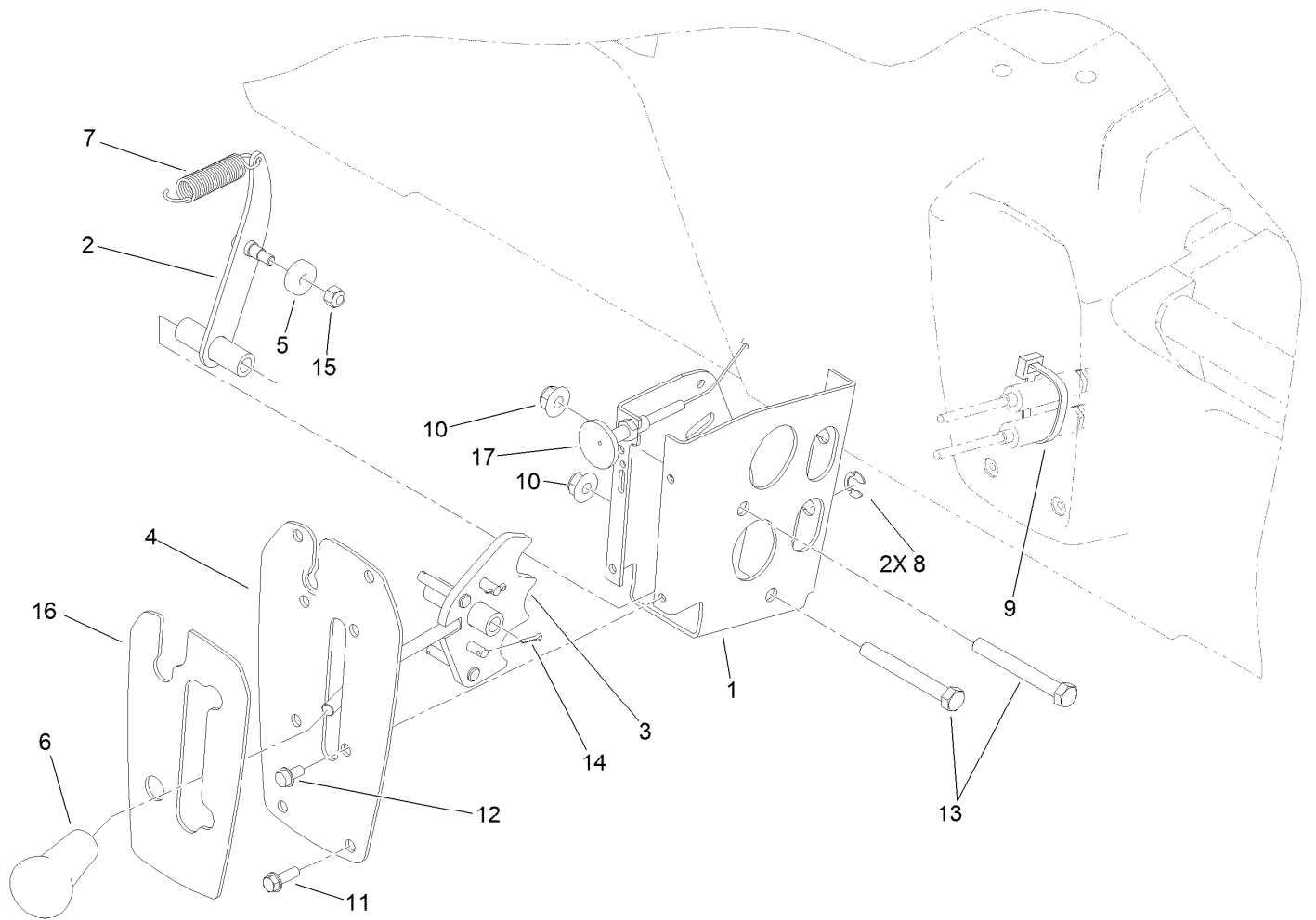
Ref.	Part Number	Qty.	Description
1	132-6740-03	1	Support-Dash
2	139-4635	1	Steering Column ASM, MDX
3	3230-1	4	Bolt-CARR
4	104-8300	8	Nut-HF, NI
5	112-3262	2	Bearing
6	21-9260	1	Cover-Dust
7	140-4560	1	Steering Rack ASM
7:21	140-4594	1	Kit-Tie Rod ASM, MDX
7:22	140-4592	1	Kit-Rod End ASM
7:22:2	3272-42	1	Pin-Cotter
7:22:3	140-2493	1	Nut-Hex, Slotted

Ref.	Part Number	Qty.	Description
8	132-6763	1	Shaft-Steering
10	322-6	4	Screw-HH
11	131-0957	1	Wheel-Steering
12	3256-26	1	Washer-Flat
13	99-5107	1	Nut-Lock
14	32144-70	4	Screw-HWHTF
15	131-3630	1	Cap-Wheel, Steering
16	116-3515	1	Screw-HH, Special
17	3253-4	1	Washer-Lock
18	3272-42	2	Pin-Cotter



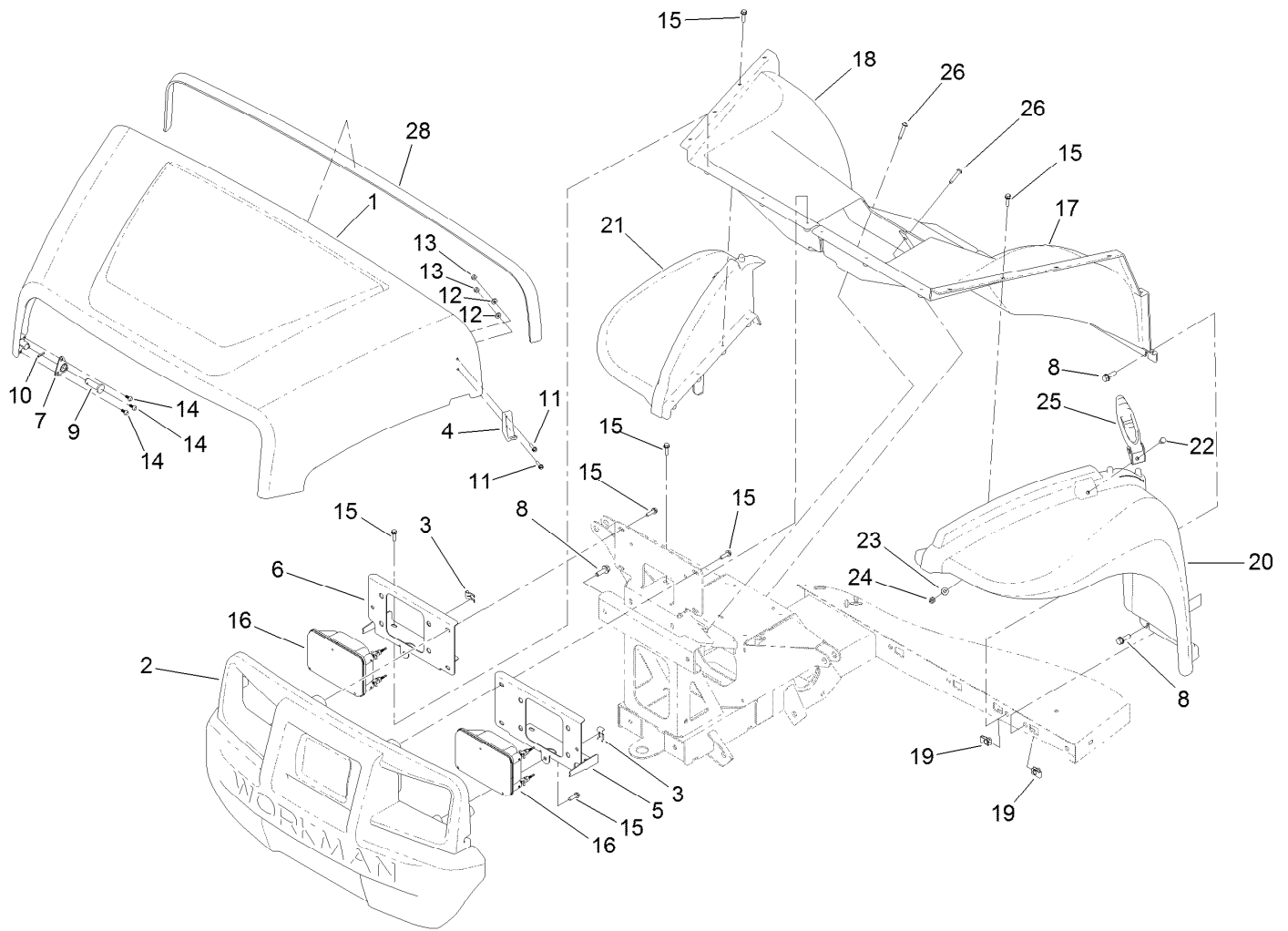
Pedal Assembly

<i>Ref.</i>	<i>Part Number</i>	<i>Qty.</i>	<i>Description</i>	<i>Ref.</i>	<i>Part Number</i>	<i>Qty.</i>	<i>Description</i>
1	138-3581	1	Brake Pedal ASM	9	321-13	1	Screw-HH
1:2	256-116	2	Bushing-Flange	10	32149-2	1	Nut-Keps
2	138-3582	1	Throttle Pedal ASM, MDX	11	104-6415	1	Spring-Return, Pedal
2:2	256-116	2	Bushing-Flange	12	104-0858	1	Bolt-Shoulder
4	323-16	2	Screw-HH	13	32128-33	1	Nut-HF
5	104-8301	2	Nut-HF, NI	14	7-3900	1	Pad-Brake
6	99-7407	1	Switch	15	3256-24	1	Washer-Flat
7	1-633181	1	Plate-Tapped	16	140-4572	1	Pedal Pad-Throttle
8	3290-134	2	Screw				



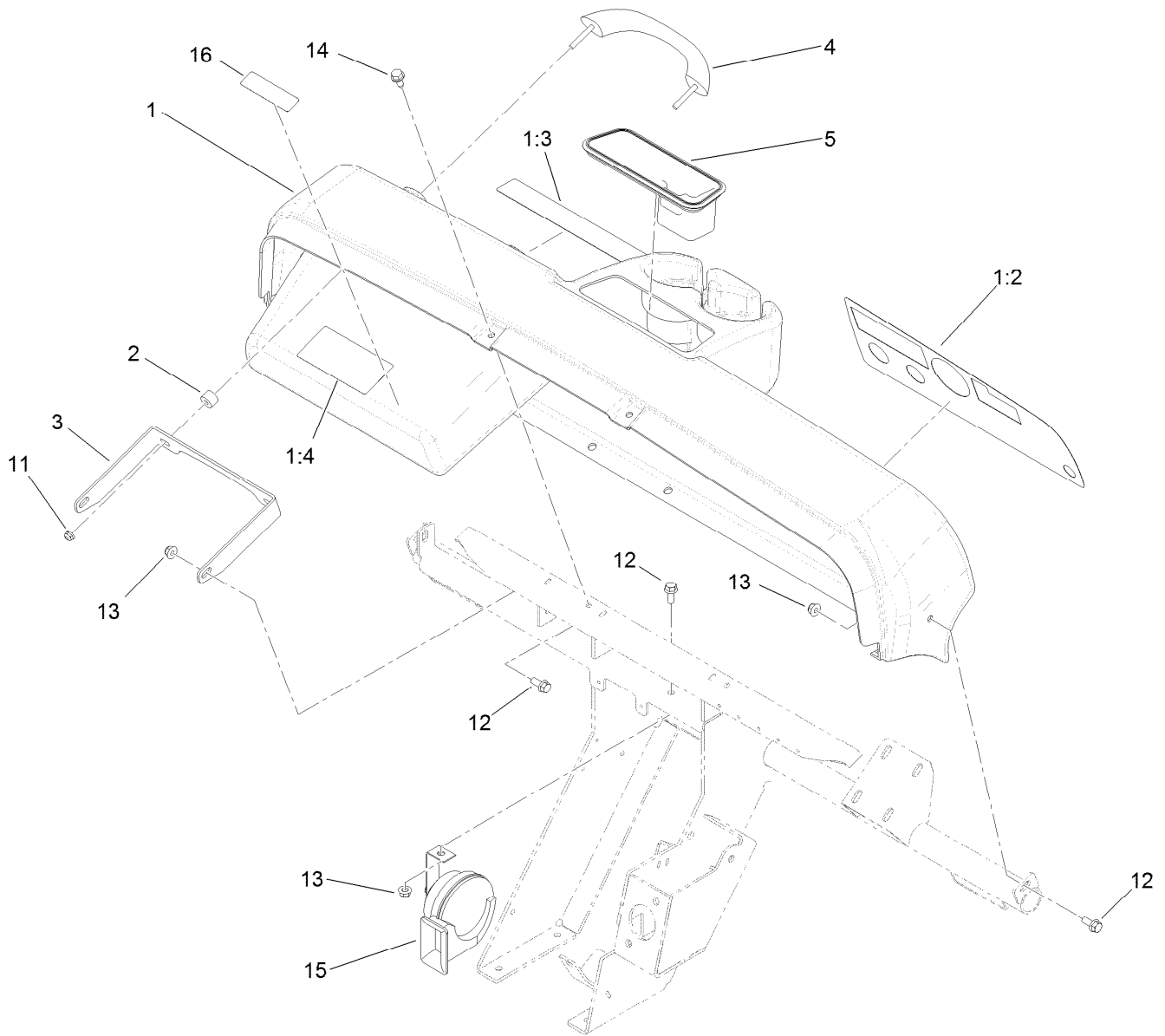
Shifter Assembly

<i>Ref.</i>	<i>Part Number</i>	<i>Qty.</i>	<i>Description</i>	<i>Ref.</i>	<i>Part Number</i>	<i>Qty.</i>	<i>Description</i>
1	108-3141-0P	1	Bracket-Shift	10	104-8301	2	Nut-HF, NI
2	108-3138	1	Arm-Detent	11	32105-15	4	Screw-HWH
3	114-2719	1	Plate-Detent	12	32144-4	4	Screw-HWH
4	99-7887-03	1	Plate-Shifter	13	323-14	2	Screw-HH
5	251-307	1	Bearing-Ball	14	3272-5	2	Pin-Cotter
6	99-7981	1	Knob-Grip, Soft	15	3296-42	1	Nut-Lock, NI
7	104-6415	1	Spring-Return, Pedal	16	99-7952	1	Decal-Shifter
8	32151-101	2	E-Ring	17	99-7111	1	Cable-Choke
9	3290-378	1	Tie-Cable				



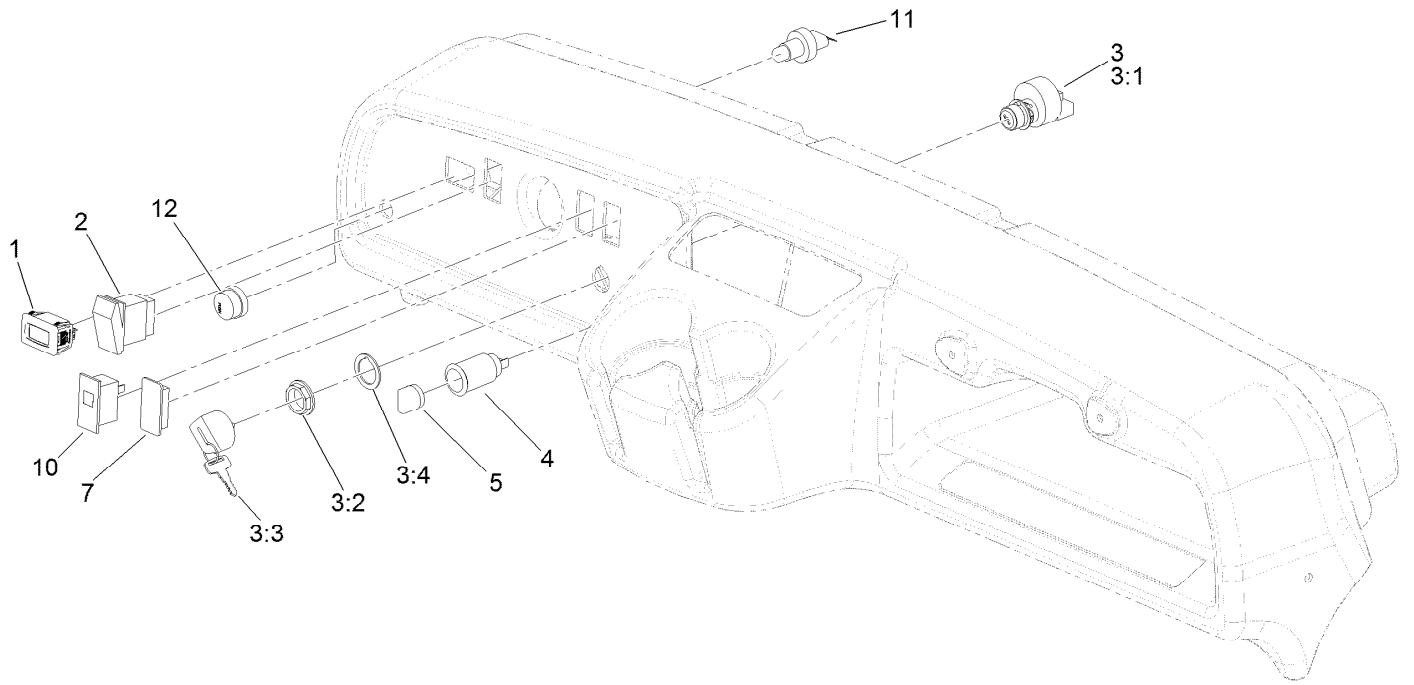
Hood and Fender Assembly

<i>Ref.</i>	<i>Part Number</i>	<i>Qty.</i>	<i>Description</i>	<i>Ref.</i>	<i>Part Number</i>	<i>Qty.</i>	<i>Description</i>
1	136-6281	1	Hood	15	46-8091	24	Screw-HWH
2	132-8530	1	Bumper	16	138-9260	2	Headlight ASM
3	115-2408	6	Clip-Speed	17	132-6775	1	Fender-Inner, LH
4	103-2897	2	Latch-Catch	18	132-6776	1	Fender-Inner, RH
5	140-4780-0P	1	Bracket-Headlight, LH	19	112-3306	10	Nut
6	140-4781-0P	1	Bracket-Headlight, RH	20	112-3371	1	Fender-LH
7	112-3308	2	Retainer-Pin	21	112-3370	1	Fender-RH
8	3234-29	12	Screw-HHF	22	321-39	2	Screw-HH
9	117-5094	2	Pin-Clevis	23	3256-22	2	Washer-Flat
10	32121-50	2	Pin-Spring	24	3296-42	2	Nut-Lock, NI
11	32105-13	4	Screw-HWH	25	115-2416	2	Latch-Rubber
12	3256-14	4	Washer-Flat	26	132-6777	4	Screw-TTH
13	3296-2	4	Nut-Lock, NI	28	115-7635	1	Seal-Foam
14	121-9605	6	Screw-HWH				



Dash Assembly

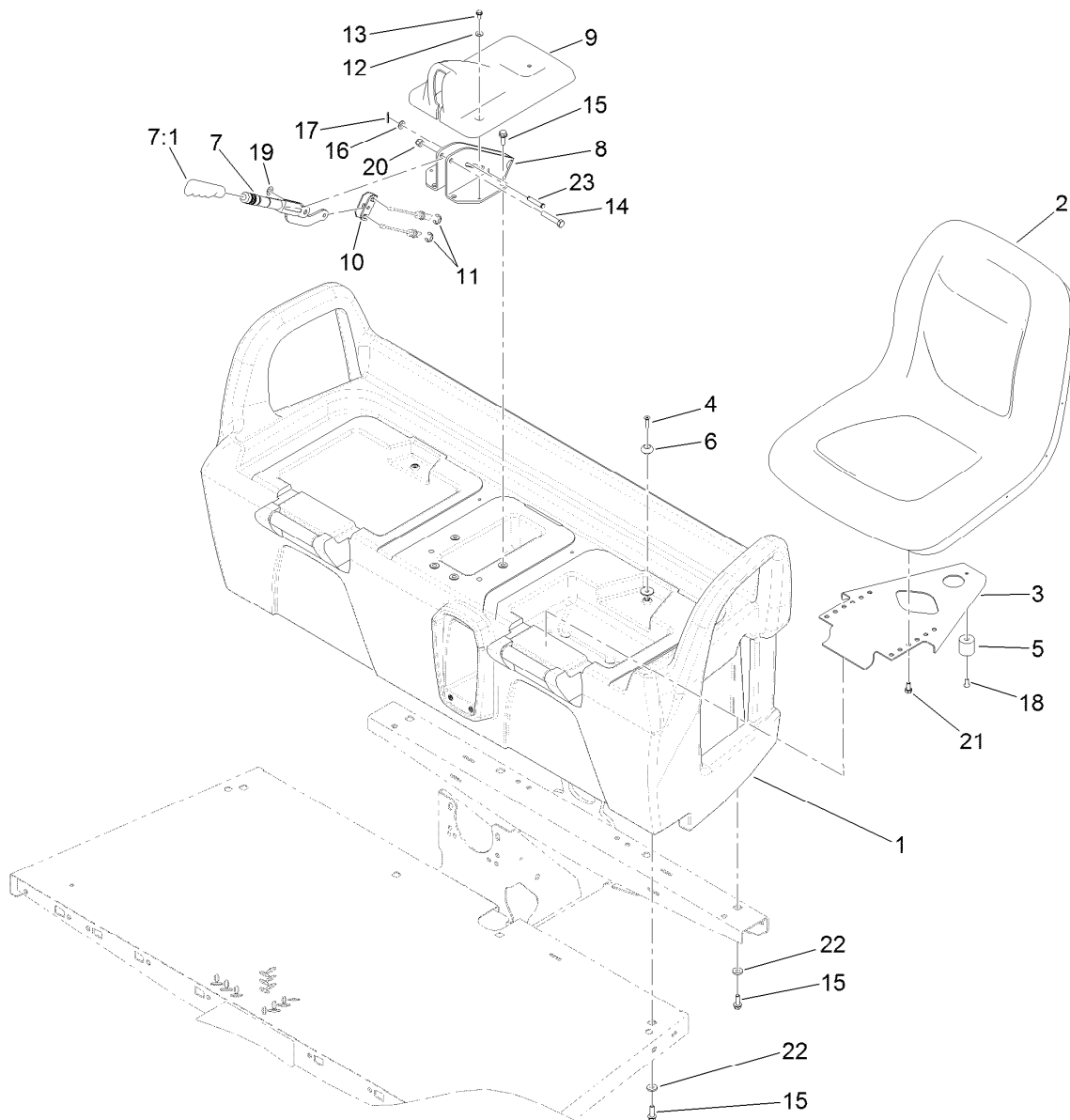
<i>Ref.</i>	<i>Part Number</i>	<i>Qty.</i>	<i>Description</i>
1	114-8310	1	Dash ASM
1:2	138-3521	1	Decal-Panel, Control
1:3	121-9775	1	Decal-Danger
1:4	115-2412	1	Decal-No Storage
2	114-8301	2	Spacer
3	112-3391-0P	1	Bracket-Grip Handle
4	112-3320	1	Handle-Grip
5	104-6930	1	Plug-Rubber
11	104-7201	2	Nut-HF
12	110-5053	4	Screw-HHF
13	104-8300	4	Nut-HF, NI
14	32144-70	6	Screw-HWHTF
15	110-2594	1	Horn
16	136-6313	1	Decal-Block, Fuse



Control Panel Assembly

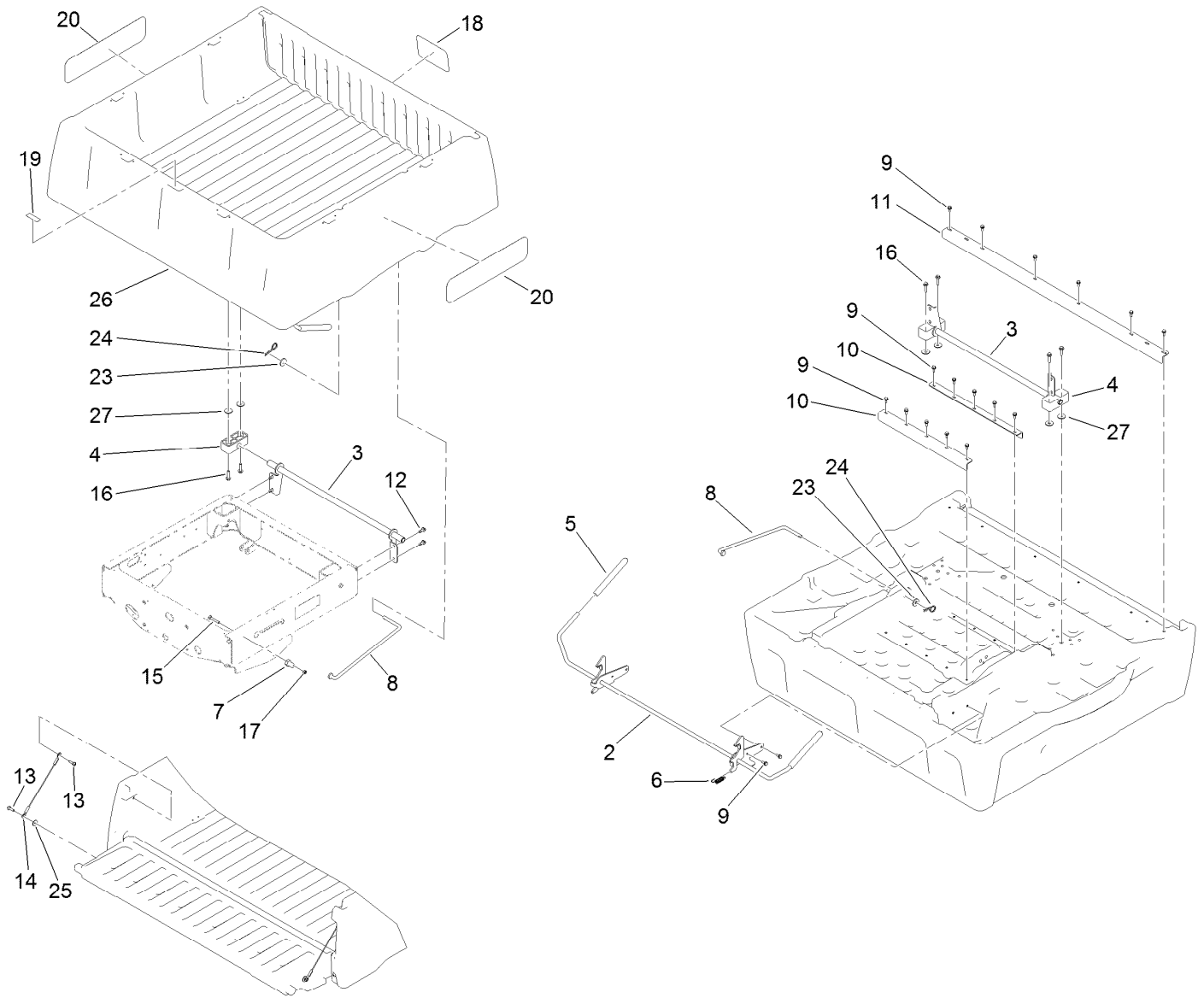
Ref.	Part Number	Qty.	Description
1	120-2244	1	Hourmeter
2	95-8999	1	Switch
3	122-1145	1	Ignition Switch ASM
3:1		1	Switch-Ignition ●
3:2	108-8660	1	Nut-Mounting
3:3	106-5270	1	Ignition Key Set
3:4	108-8659	1	Washer-Backup
4	99-7411	1	Point-Power
5	99-7416	1	Cap
7	99-7420	1	Plug-Hole
10	99-7410	1	Indicator-Light, Low-Oil Pressure
11	112-3324	1	Switch-Horn
12	112-3313	1	Nut-Weatherproof

● Not serviced separately



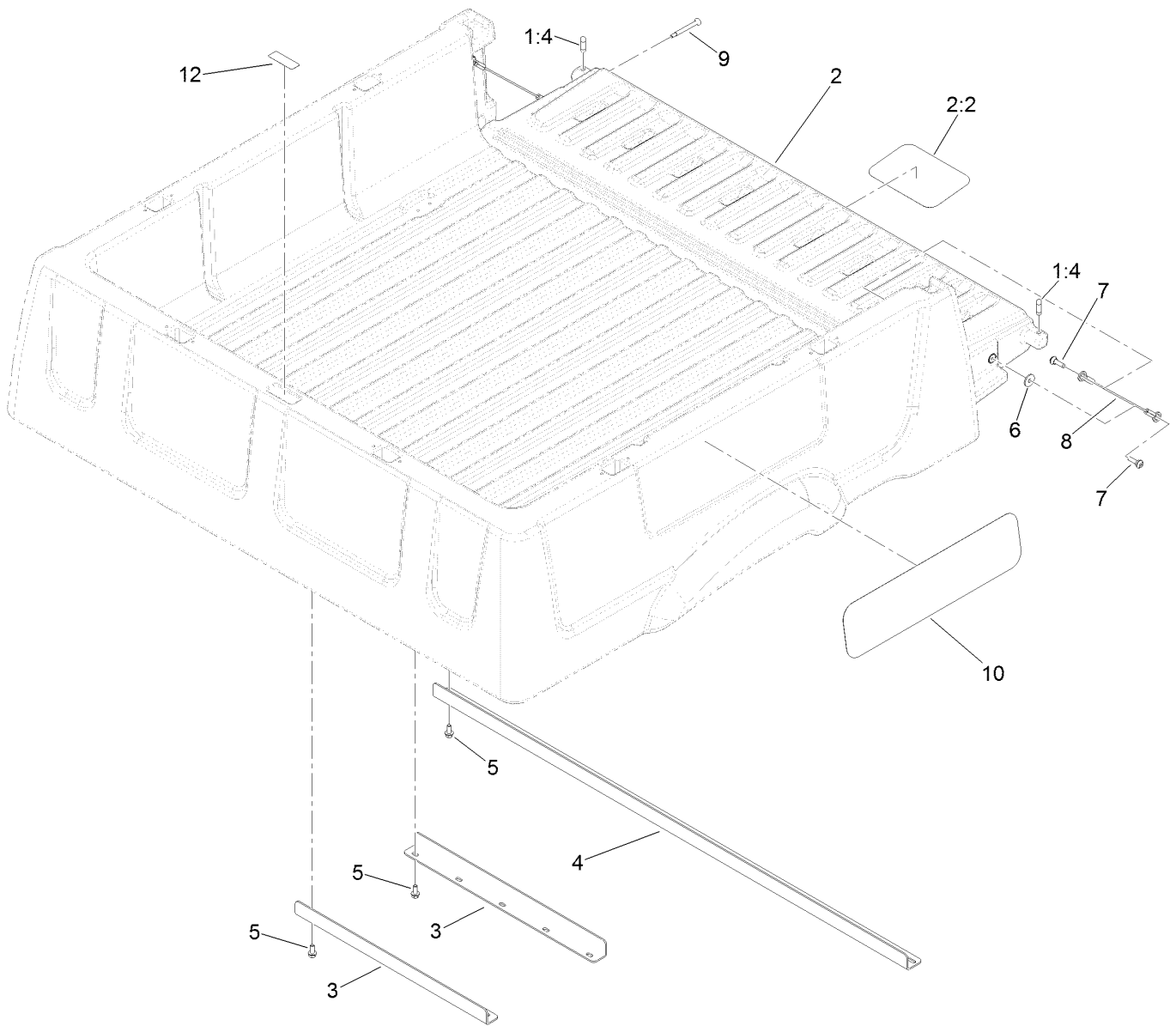
Seatbase Assembly

<i>Ref.</i>	<i>Part Number</i>	<i>Qty.</i>	<i>Description</i>	<i>Ref.</i>	<i>Part Number</i>	<i>Qty.</i>	<i>Description</i>
1	104-6847	1	Base-Seat	12	3256-1	4	Washer-Flat
2	133-0577	2	Seat ASM	13	32144-4	2	Screw-HWH
3	99-7829	2	Bracket-Seat	14	323-10	1	Screw-HH
4	32108-5	2	Screw-FH	15	3234-17	12	Screw-HHF
5	99-7830	2	Receptical-Rubber	16	3256-23	1	Washer-Plain
6	99-7833	2	Post-Holding	17	3272-6	1	Pin-Cotter
7	127-8863	1	Lever-Brake, Park	18	3290-412	2	Rivet-Blind
7:1	127-8864	1	Grip-Handle	19	3290-477	1	Washer-Curved
8	104-6844-0P	1	Support-Park Brake, Wa	20	3296-39	1	Nut-Lock, NI
9	104-7014	1	Cover-Brake, Parking	21	33114-016	8	Screw-HH
10	87-3480	1	Bracket-Equalizer, Cable	22	88-7200	8	Washer-Flat
11	32120-47	2	Ring-Retaining, External	23	94-3829	1	Pin-Clevis



Cargo Bed Assembly

<i>Ref.</i>	<i>Part Number</i>	<i>Qty.</i>	<i>Description</i>	<i>Ref.</i>	<i>Part Number</i>	<i>Qty.</i>	<i>Description</i>
2	121-6344	1	Latch	14	121-6343	2	Lanyard-Tailgate
3	133-0625-03	1	Bracket-Pivot	15	3230-7	2	Bolt-CARR
4	121-6342	2	Bushing-Pivot	16	3234-18	4	Screw-HHF
5	119-9627	2	Grip-Handle	17	3296-29	2	Nut-Lock, NI
6	5-7290	2	Spring-Tension	18	104-7213	1	Decal
7	104-7248	2	Pin-Latch	19	115-7739	1	Decal-No Riders
8	121-6316	1	Rod-Prop	20	119-9450	2	Decal
9	3234-5	20	Screw-HHF	23	110-6147	1	Washer-Flat
10	121-6314-0P	2	Brace-Middle, Bed	24	107-3155	1	Hairpin
11	121-6315-0P	1	Brace-Rear, Bed	25	115-7109	2	Washer-Flat
12	105-6245	4	Screw-Tapping	26	133-0560	1	Cargo Bed/Tailgate ASM
13	119-2267	4	Screw-Shoulder, BHTF	27	87-5330	4	Washer

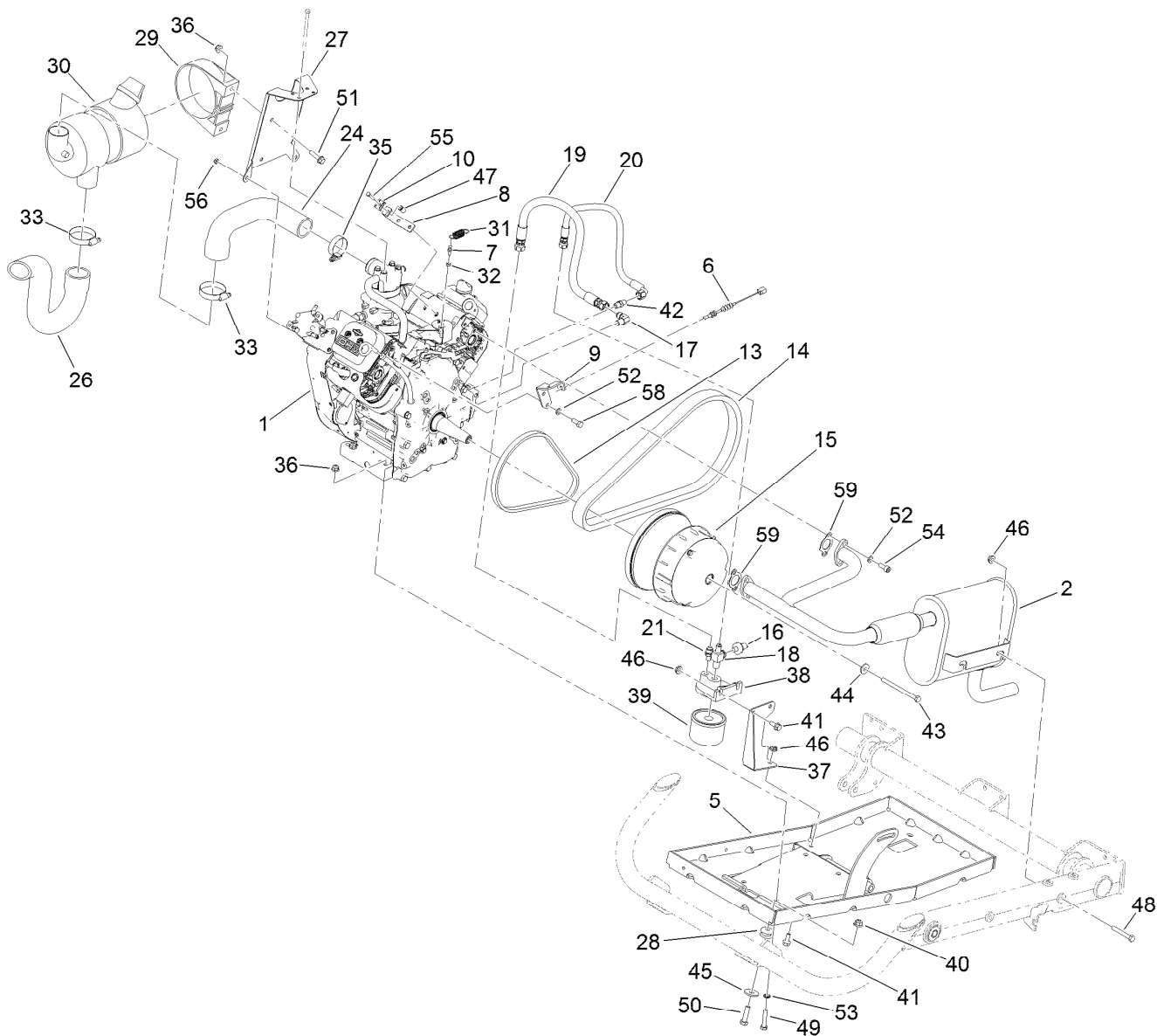


Cargo Bed and Tailgate Service Assembly No. 133-0560

Ref.	Part Number	Qty.	Description
1		1	Cargo Bed/Tailgate ASM ●■
1:4	133-7146	2	Plug-Tailgate, Anti-Rattle
2	133-0561	1	Tailgate ASM W/Decals
2:2	104-7213	1	Decal
3	121-6314-0P	2	Brace-Middle, Bed
4	121-6315-0P	1	Brace-Rear, Bed
5	3234-5	16	Screw-HHF
6	115-7109	2	Washer-Flat
7	119-2267	4	Screw-Shoulder, BHTF
8	121-6343	2	Lanyard-Tailgate
9	127-7383	2	Screw-Shoulder, Bh (Torx)
10	120-4825	2	Decal
12	115-7739	1	Decal-No Riders

● Not illustrated

■ Not serviced separately

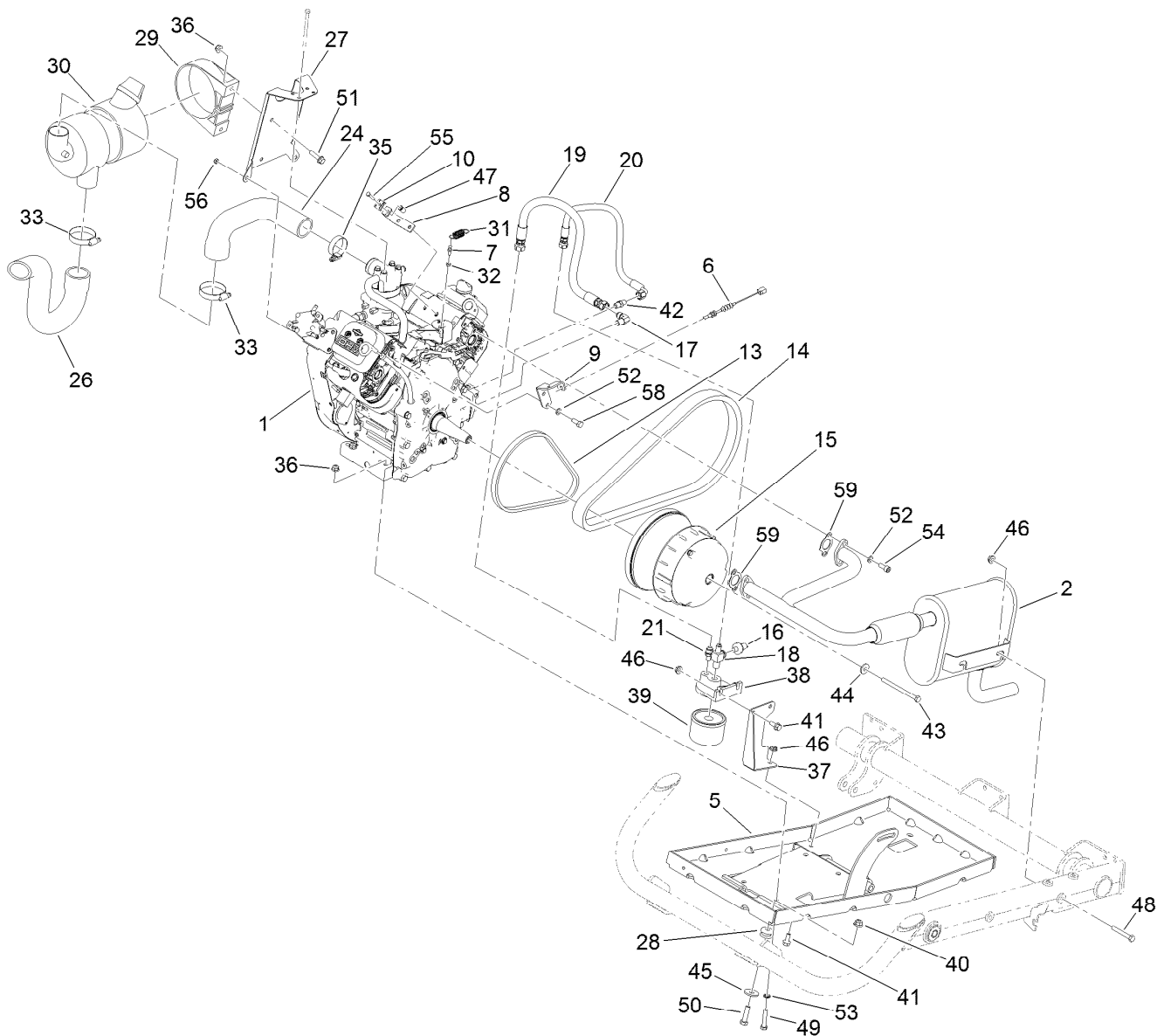


Engine, Clutch and Air Cleaner Assembly

Ref.	Part Number	Qty.	Description
1	140-2599	1	Engine-Briggs And Stratton ●
2	139-3399	1	MDX Exhaust ASM
5	119-0709-03	1	Tray-Engine
6	115-7612	1	Cable-Accelerator
7	99-7847	1	Ball-Stud
8	107-0319	1	Bracket-Cable
9	115-2393	1	Bracket-Cable
10	81-1690	1	Clamp-Cable
13	121-9778	1	Belt-V
14	136-6296	1	Belt-Variable
15	138-0094	1	Clutch-Primary
16	115-2316	1	Switch-Pressure F/W
17	115-2317	1	Fitting-Elbow
18	119-0826	1	Fitting-Tee
19	119-0831	1	Hose-HYD
20	119-0832	1	Hose-HYD
21	119-0833	1	Fitting-Straight

Ref.	Part Number	Qty.	Description
24	131-6696	1	Hose-Air Intake
26	115-7623	1	Hose-Intake
27	132-6796-0P	1	Bracket-Air Cleaner
28	63-9750	2	Mount
29	95-5806	1	Bracket-Mounting, Air Cleaner
30	99-7120	1	Air Cleaner ASM
31	71-5470	1	Spring-Brake
32	110-2619	1	Keeper-Spring
33	2412-130	2	Clamp-Hose
35	2412-3	1	Clamp-Hose
36	104-8300	6	Nut-HF, NI
37	112-3240-0P	1	Brkt-Oil Filter
38	115-2314	1	Adapter-Filter, Oil
39	107-7817	1	Filter-Oil, Engine
40	104-8301	2	Nut-HF, NI
41	110-5053	4	Screw-HHF
42	112-3282	1	Fitting-Straight

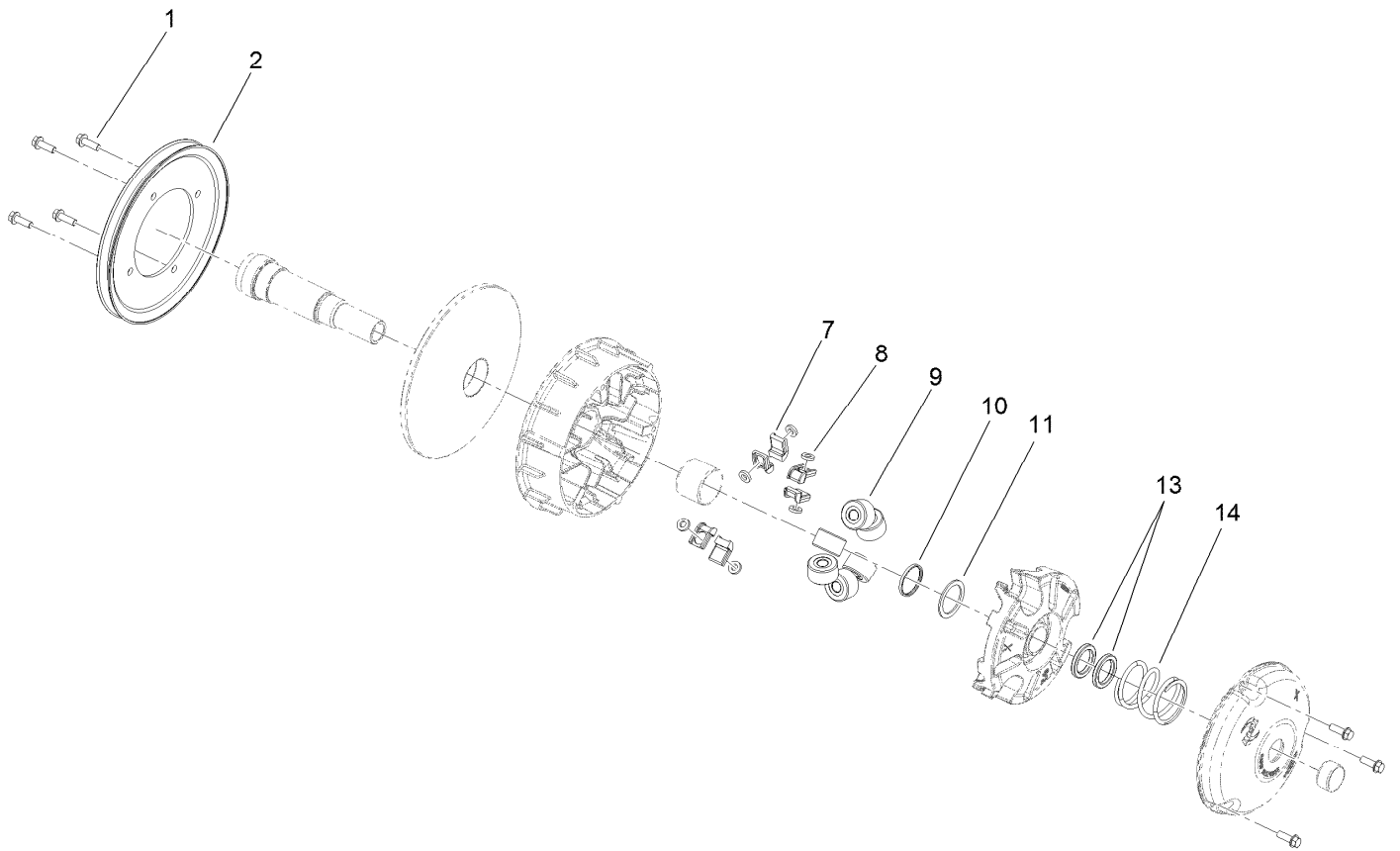
● Obtain parts from www.briggsandstratton.com



Engine, Clutch and Air Cleaner Assembly (continued)

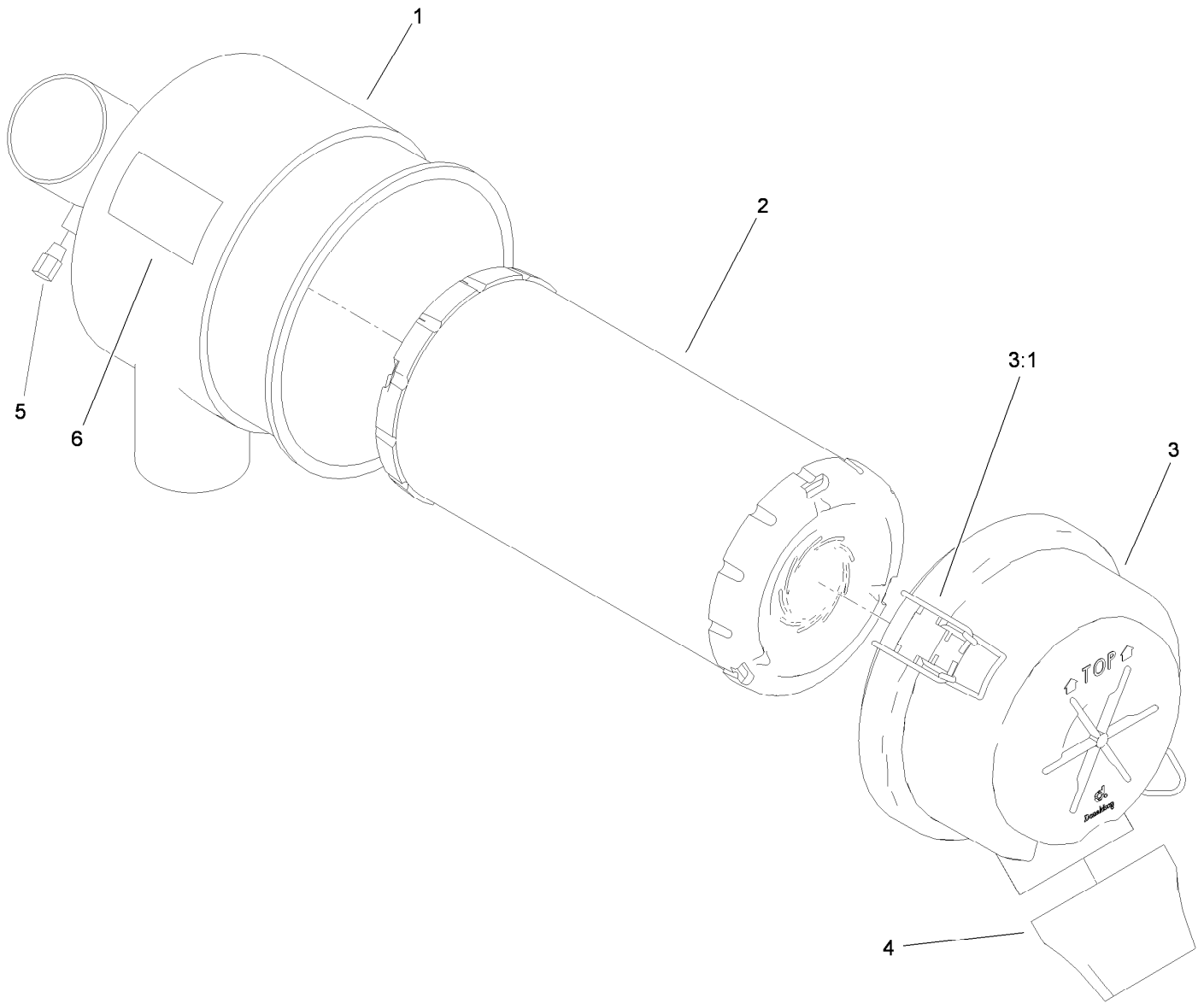
Ref.	Part Number	Qty.	Description	Ref.	Part Number	Qty.	Description
43	119-0722	1	Screw-HH	51	3234-36	2	Screw-HHF
44	119-0724	1	Washer-Flange	52	3253-4	6	Washer-Lock
45	2844	2	Washer	53	3254-2	2	Washer-Lock, Internal
46	32128-20	6	Nut-HF	54	108-6343	4	Screw-HSH,Lock
47	32148-14	1	Nut-Clinch	55	3290-432	1	Screw-HH
48	139-4479	2	Screw-HHF	56	33023-00	2	Nut-Lock
49	322-9	4	Screw-HH	58	66-3160	2	Screw-Cap
50	323-8	2	Screw-HH	59	140-2557	2	Gasket-Exhaust, MDX

● Obtain parts from www.briggsandstratton.com



Primary Clutch Assembly No. 138-0094

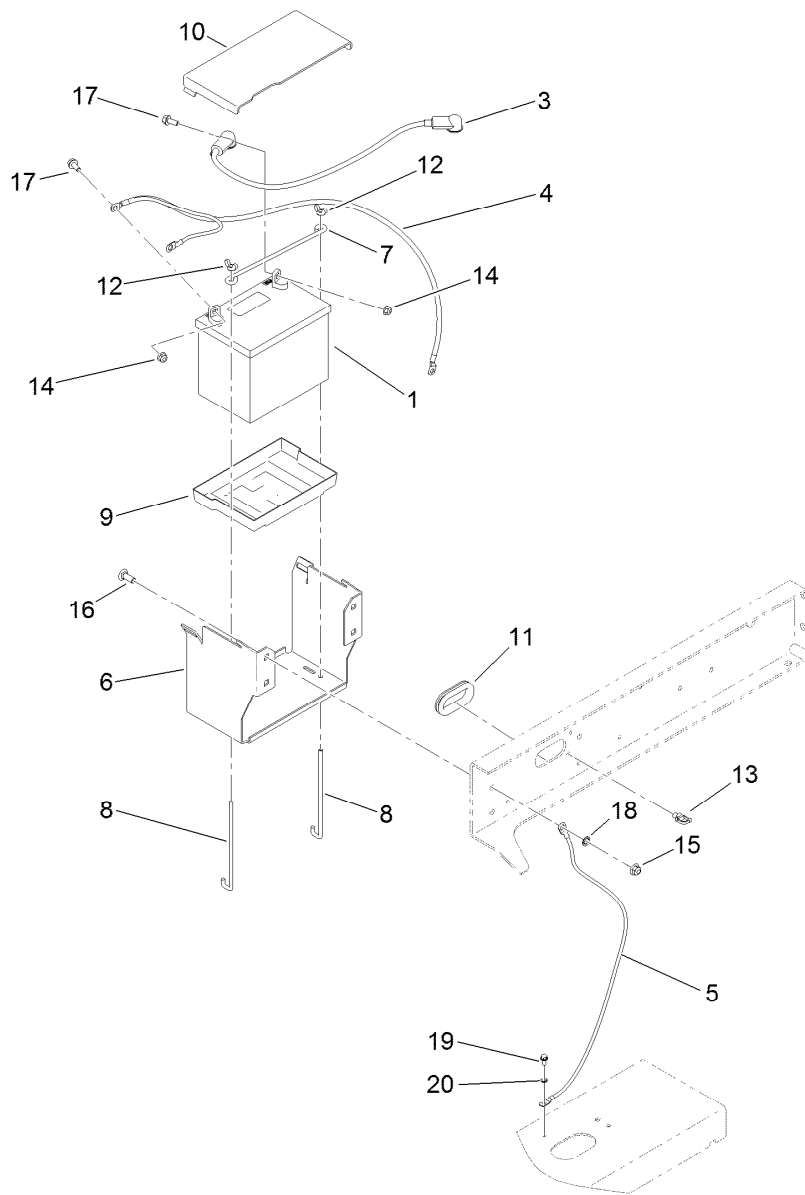
<i>Ref.</i>	<i>Part Number</i>	<i>Qty.</i>	<i>Description</i>
1	49-2040	7	Screw-HWHTF
2	119-0813	1	Pulley-Primary
7	127-8689	6	Button-Primary, Torque
8	127-8690	6	Plug-Button, Torque
9	119-0804	6	Weight-Roller
10	119-0815	1	Shim-Spider
11	119-0812	1	Shim-Spider
13	119-0807	2	Shim-Limiter
14	119-9532	1	Spring-Red/White



Air Cleaner Assembly No. 99-7120

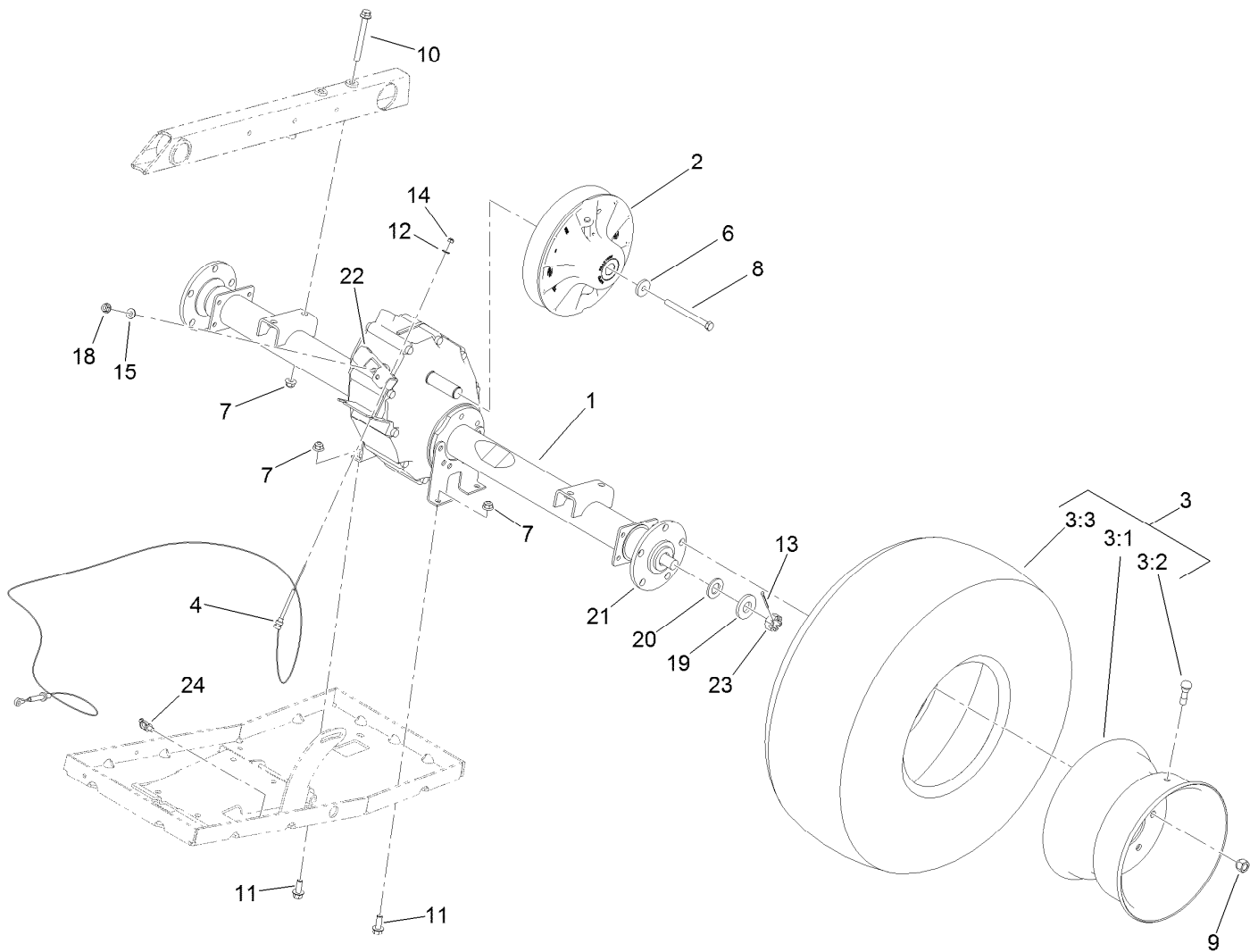
Ref.	Part Number	Qty.	Description
1		1	Body ●
2	108-3811	1	Filter-Air
3	94-3652	1	Cover ASM
3:1	1-643283	2	Latch-Cleaner, Air
4	87-9400	1	Valve-Vacuator
5		1	Plug ●
6		1	Marking ●

● Not serviced separately



Battery Assembly

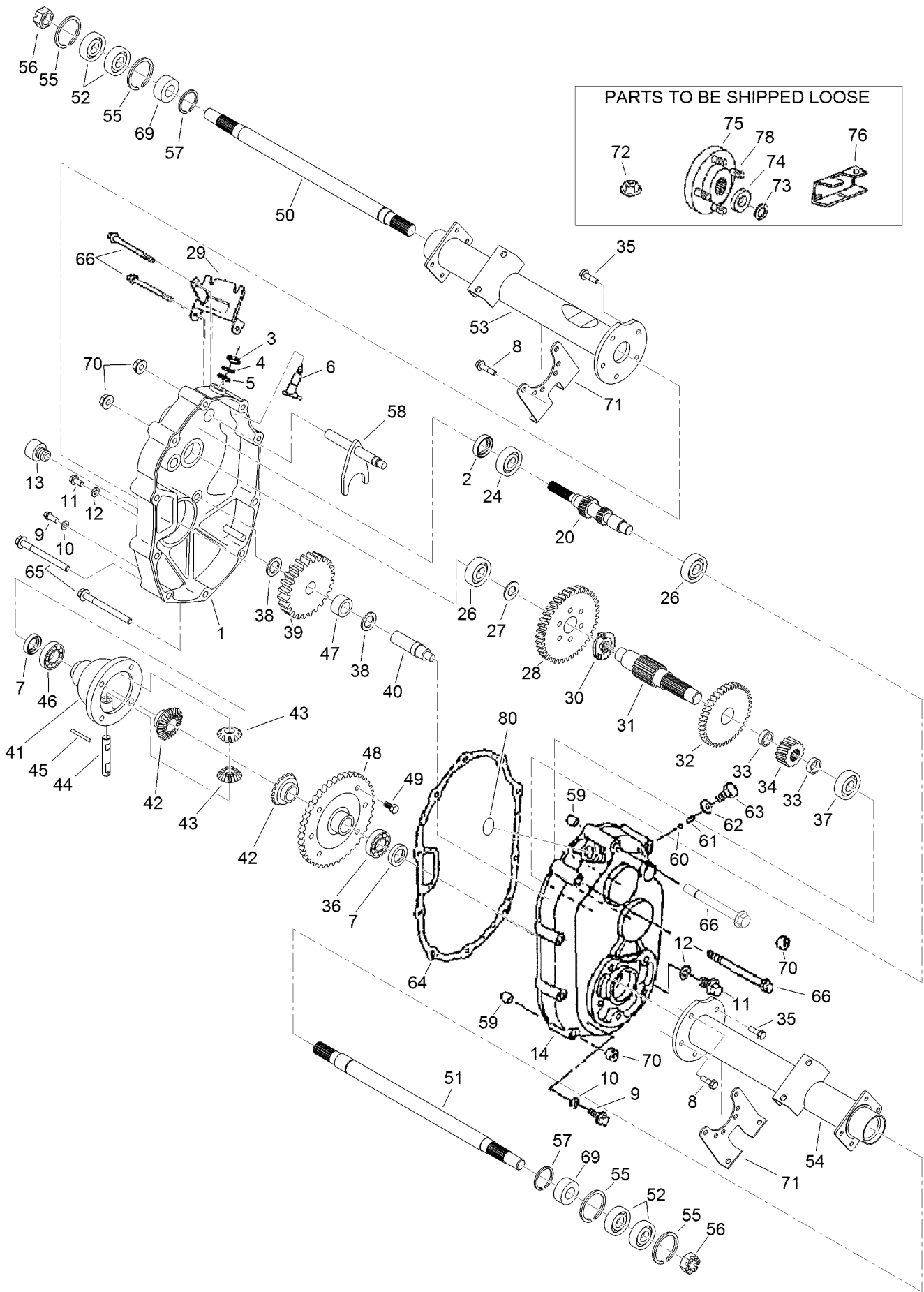
<i>Ref.</i>	<i>Part Number</i>	<i>Qty.</i>	<i>Description</i>	<i>Ref.</i>	<i>Part Number</i>	<i>Qty.</i>	<i>Description</i>
1	104-8162	1	Battery	12	32103-22	2	Nut-Wing
3	114-9404	1	Cable-Battery, Positive	13	32180-030	2	Clip-Tie
4	115-8107	1	Cable-Battery, Negative	14	104-8300	2	Nut-HF, NI
5	115-8108	1	Cable-Battery, Negative	15	104-8301	4	Nut-HF, NI
6	115-2302-03	1	Base-Battery	16	3231-22	4	Screw-CARR
7	100-6434	1	Rod-Hold Down, Battery	17	3234-5	2	Screw-HHF
8	100-6435	2	Post-Battery	18	3254-6	1	Washer-Lock, Internal
9	106948	1	Tray-Battery	19	32144-4	1	Screw-HWH
10	115-2394	1	Cover-Battery	20	3254-16	1	Washer-Lock/Int
11	240-12	1	Grommet-Rubber				



Rear Axle Drive System Assembly

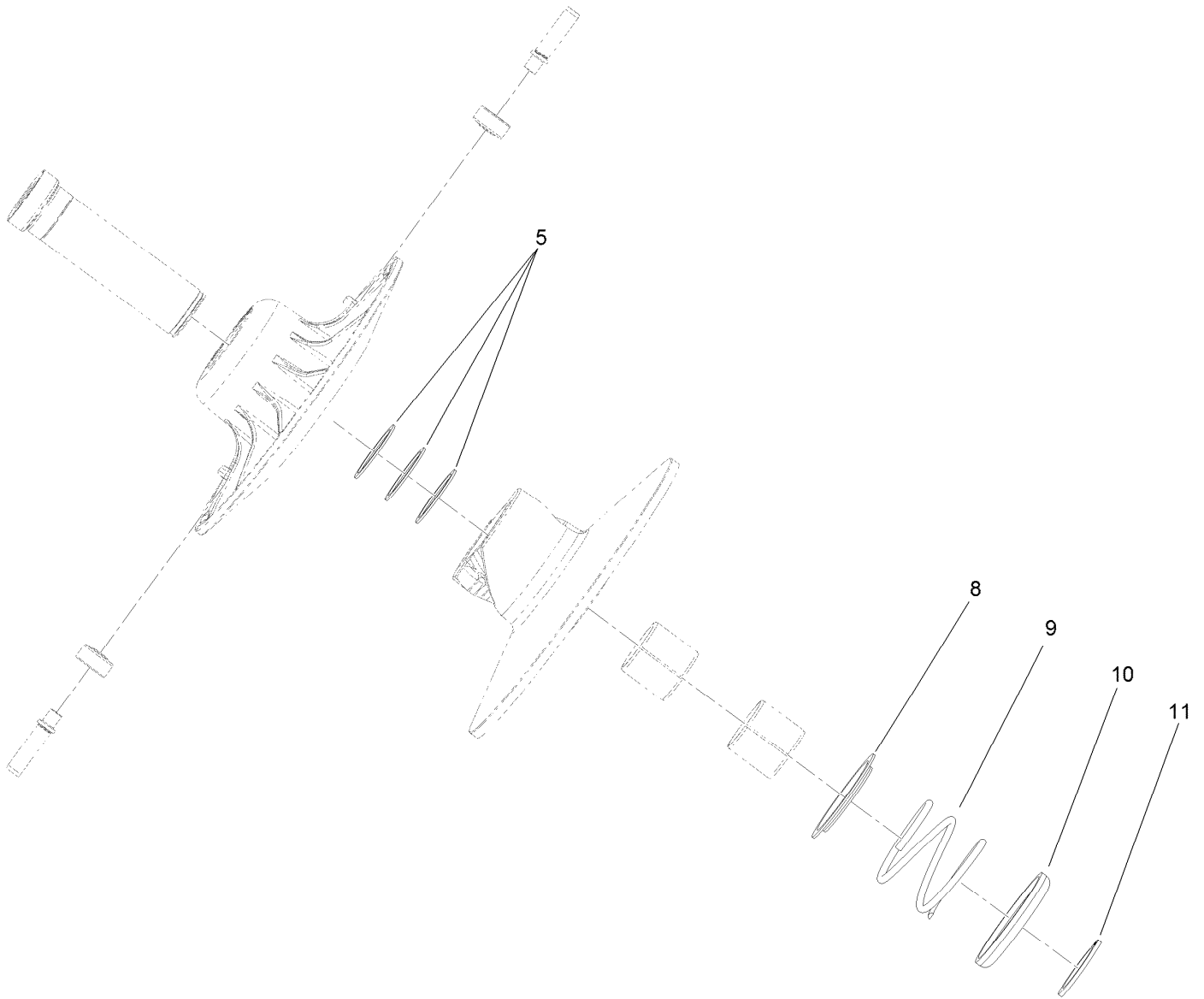
Ref.	Part Number	Qty.	Description	Ref.	Part Number	Qty.	Description
1	119-0760	1	Transaxle ASM	11	3234-11	4	Screw-HHF
2	136-6289	1	Clutch-Secondary	12	3256-49	2	Washer-Plain
3	131-8434	2	Tire And Wheel ASM	13	3272-12	2	Pin-Cotter
3:1	131-8435	1	Wheel	14	3296-2	2	Nut-Lock, NI
3:2	232-27	1	Stem-Valve	15	87-8640	1	Washer-Flat
3:3	131-6667	1	Tire (24 X 12.00-10) 4P K506	18	104-1672	1	Nut-Lock
4	115-7679	2	Cable-Control, Tension	19	133-0632	2	Spacer
6	104-6563	1	Washer-Stepped	20	104-1674	2	Washer
7	104-8301	8	Nut-HF, NI	21	104-1675	2	Hub
8	119-0723	1	Screw-HH, Lock	22	104-6860	1	Lever-Select
9	242-50	10	Nut-Lug	23	104-1656	2	Nut-Castle
10	116-4701	4	Screw-HHF	24	32180-030	1	Clip-Tie

Transaxle Assembly No. 119-0760



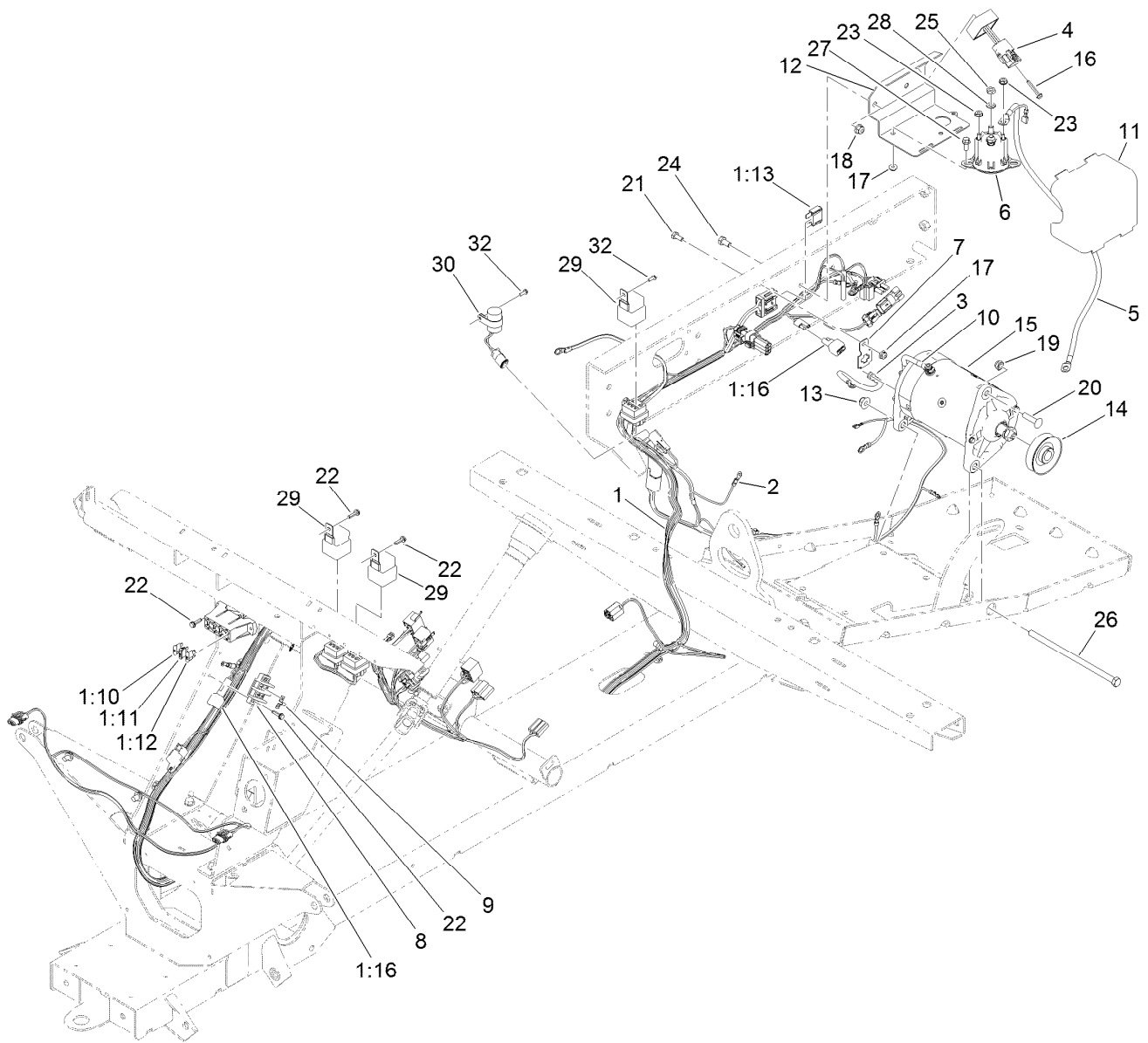
Transaxle Assembly No. 119-0760 (continued)

<i>Ref.</i>	<i>Part Number</i>	<i>Qty.</i>	<i>Description</i>	<i>Ref.</i>	<i>Part Number</i>	<i>Qty.</i>	<i>Description</i>
1	104-1601	1	Case-LH, Complete	44	104-1644	1	Shaft-Differential
2	104-1602	1	Seal-Oil	45	104-1645	1	Pin
3	104-1603	1	Seal-Oil	46	104-1646	1	Bearing-Ball
4	104-1604	1	Ring-Snap	47	104-1647	1	Bearing-Needle
5	104-1605	1	Spacer	48	104-1648	1	Gear
6	104-1606	1	Shaft-Selector	49	104-1649	6	Bolt
7	104-1607	2	Seal-Oil	50	104-1650	1	Shaft-Axle, LH
8	104-1608	4	Bolt-Flange	51	104-1651	1	Shaft-Axle, RH
9	104-1609	2	Plug-Check, Oil	52	104-1652	4	Bearing-Ball
10	104-1610	2	Gasket	53	104-1653	1	Case-Axle, LH
11	104-1611	2	Plug-Drain, Oil	54	104-1654	1	Case-Axle, RH
12	104-1612	2	Gasket	55	104-1655	4	Ring-Snap
13	104-1613	1	Plug-Filler, Oil	56	104-1656	2	Nut-Castle
14	104-1614	1	Case-Complete, RH	57	104-1657	2	Ring-Snap
20	104-7002	1	Shaft-Input, Complete	58	104-6870	1	Shaft-Shift, Complete
24	104-1624	1	Bearing-Ball	59	104-1659	2	Knock-Pipe
26	104-1626	2	Bearing-Ball	60	104-1660	1	Ball-Steel
27	104-1627	1	Spacer	61	104-1661	1	Spring
28	104-1628	1	Gear	62	104-1662	1	Gasket
29	104-1629	1	Bracket-Wire, Change	63	104-1663	1	Bolt
30	104-1630	1	Clutch-Pin	64	104-1664	1	Gasket
31	104-1631	1	Shaft-Center	65	104-1665	6	Bolt-Flange
32	104-1632	1	Gear	66	104-1666	4	Bolt-Flange
33	104-1633	2	Collar	69	104-6867	2	Collar
34	104-1634	1	Gear	70	33004-00	10	Nut-HF
35	104-1635	6	Bolt-Flange	71	104-1671	2	Bracket-Axle
36	104-1636	1	Bearing-Ball	72	104-1672	1	Nut-Lock
37	104-1637	1	Bearing-Ball	73	104-1673	2	Washer-Spring
38	104-1638	2	Spacer	74	104-1674	2	Washer
39	104-1639	1	Gear	75	104-1675	2	Hub
40	104-1640	1	Shaft-Counter	76	104-6860	1	Lever-Select
41	104-1641	1	Case-Differential	78	104-8649	10	Stud
42	104-1642	2	Gear-Side, Differential	80	121-9718	1	Cap-Seal
43	104-1643	2	Pinion-Differential				



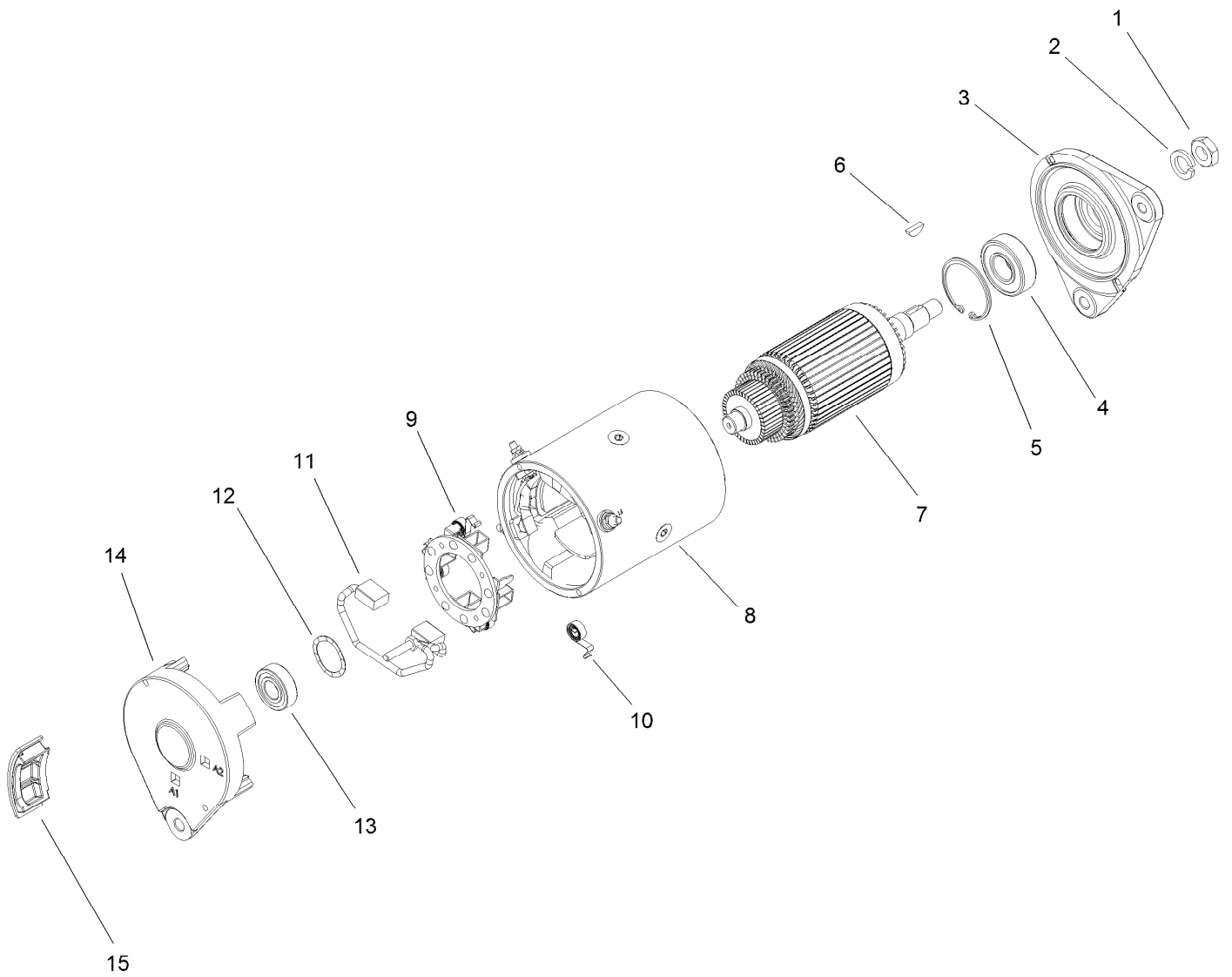
Secondary Clutch Assembly No. 136-6289

<i>Ref.</i>	<i>Part Number</i>	<i>Qty.</i>	<i>Description</i>
5	119-6018	3	Shim-Thrust
8	119-0809	1	Cup-Spring Retainer, Inner
9	119-9360	1	Spring-Compression, Black/Almond
10	119-0810	1	Cup-Spring Retainer, Outer
11	119-0811	1	Ring-Retaining



Electrical Assembly

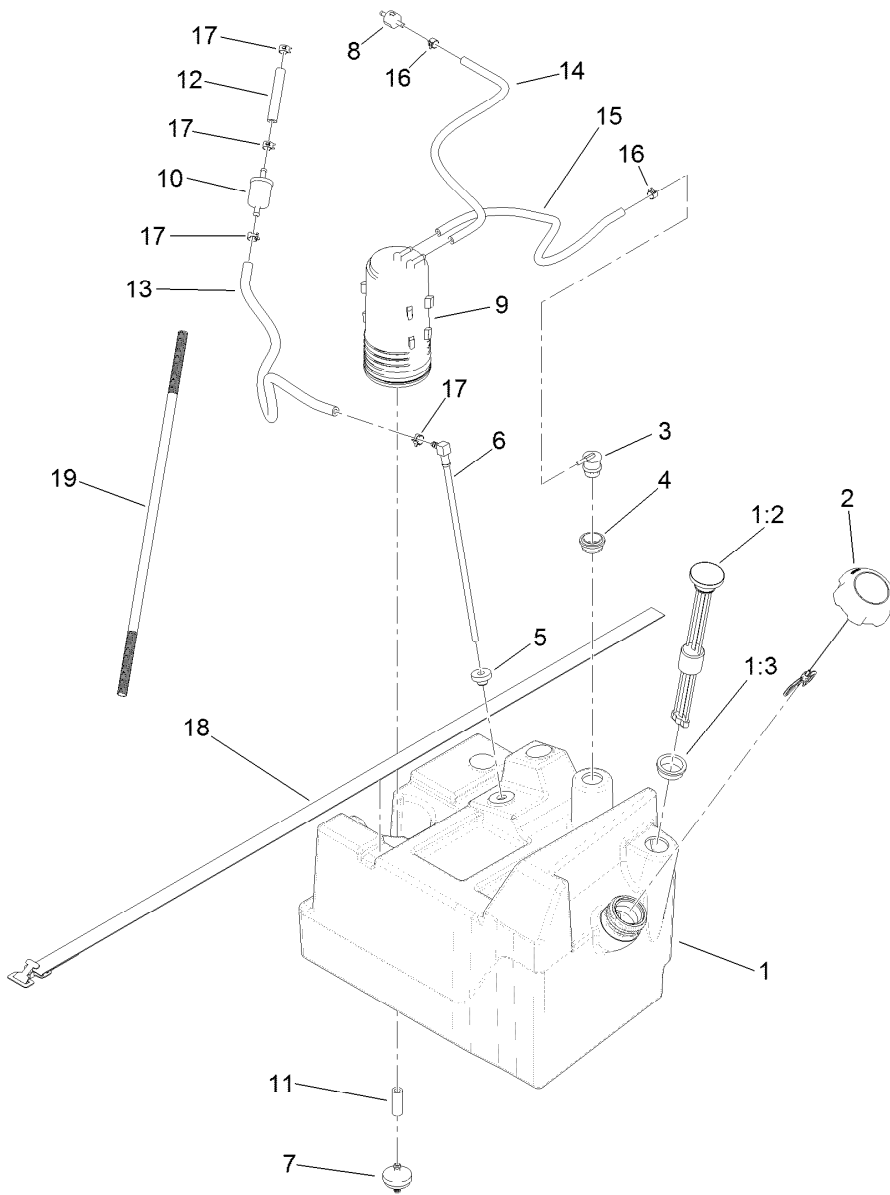
<i>Ref.</i>	<i>Part Number</i>	<i>Qty.</i>	<i>Description</i>	<i>Ref.</i>	<i>Part Number</i>	<i>Qty.</i>	<i>Description</i>
1	122-1429	1	Harness-Wire, Main	14	121-6277	1	Pulley-Drive
1:10	218-578	1	Fuse-Blade, 10 Amp	15	131-8444	1	Starter/Generator ASM
1:11	109355	1	Fuse-Blade, 15 Amp	16	100-4352	1	Screw-HWH
1:12	109103	1	Fuse-Blade, 30 Amp	17	104-7201	3	Nut-HF
1:13	114-3342	1	Fuse-Maxi, 60 Amp	18	104-8300	2	Nut-HF, NI
1:16	100-4918	2	Diode	19	3296-69	1	Nut-Lock, NI
2	122-1140	1	Harness-Wire, Engine	20	112-6950	1	Screw-CARR
3	94-2777	1	Wire-Ground	21	321-3	1	Screw-HH
4	119-9492	1	Regulator-Voltage	22	100-4351	6	Screw-HWH
5	112-3537	1	Cable-Battery, Positive	23	32149-8	2	Nut-Keps
6	114-3315	1	Solenoid	24	322-4	2	Screw-HH
7	114-5502	1	Clip-Fuse	25	3220-2	2	Nut-Jam
8	42862	1	Block-Terminal, Ground	26	323-30	1	Screw-HH
9	42863	1	Strip-Jumper	27	3234-33	2	Screw-HHF
10	122-1176	1	Cable-Battery, Negative	28	3255-8	2	Washer-Lock
11	112-3027	1	Cover-Controller	29	99-7430	3	Relay-Mini
12	119-0752-0P	1	Mount-Component	30	122-1128	1	Module-Delay, Timer
13	104-8301	1	Nut-HF, NI	32	32144-87	2	Screw-HWHTF



Starter Generator Assembly No. 131-8444

Ref.	Part Number	Qty.	Description
1	119-9651	1	Nut
2	119-9652	1	Washer-Lock
3	133-0599	1	Head-Drive End
4	119-9655	1	Bearing
5	119-9656	1	Ring-Retaining
6	119-9657	1	Key-Woodruff
7	119-9658	1	Armature ASM
8		1	Frame And Field Assembly ●
9	119-9661	1	Brush Box ASM
10	119-9660	4	Spring-Brush
11	119-9659	1	Brush Lead And Terminal Service Kit
12	119-9662	1	Washer-Wave
13	119-9663	1	Bearing
14		1	Head-End, Cummutator ●
15	133-0600	4	Plug-Rubber

● Not serviced separately



Fuel Tank Assembly

Ref.	Part Number	Qty.	Description	Ref.	Part Number	Qty.	Description
1	121-9769	1	Fuel Tank ASM	10	94-2690	1	Filter-Fuel
1:2	99-7262	1	Gauge-Fuel	11	106-5317	1	Hose-Fuel
1:3	95-8972	1	Grommet	12	109-0303	1	Hose-Fuel
2	137-4127	1	Cap-Fuel	13	110-4103	1	Hose-Fuel
3	114-0285	1	Valve-Rollover	14	75-4701	1	Hose-Fuel
4	114-0284	1	Grommet	15	110-8751	1	Hose-Fuel
5	46-6560	1	Bushing	16	2412-146	2	Clamp-Hose
6	99-7264	1	Pipe-Stand	17	2412-98	4	Clamp-Hose
7	115-7854	1	Filter-Fuel, Inline	18	3339-175	1	Strapping-Web
8	133-8499	1	Valve-Check, Vacuum	19	99-7129	1	Conduit-Line, Fuel
9	117-1221	1	Canister-Carbon, 800Cc				

Attachments and Accessories

For 07235 Workman MDX Utility Vehicle

Product Name	Model/Part
Electric Bed Lift Kit, 2014 and After Workman MD/MDX/MDX-D Utility Vehicle	07389
Receiver Hitch Kit	07278
Roll-Over Protection System	07276
Canopy Kit	07324
Folding Windshield Kit	07326
Brush Guard Kit	07145
Solid Windshield Kit	07325
Front Hitch Kit, Workman GTX Series Utility Vehicles with Brush Guard	07146
Cab Kit	07320
Front Hitch Kit, Workman GTX or MDX Series Utility Vehicles without Brush Guard	07147
Door Kit with Sliding Window	07356
Walk Spreader Mounting Kit	07029
Lift Wire Harness Kit	115-7823
Backup Alarm Kit	115-7824
Tire-AT 489, 24x10.5-10	104-7061
Hose Reel Mounting Kit	07027
Tire-AT 489, 22x9.5-10	104-7062
Wireless Hourmeter	115-4754
Small Seat Cover	131-6690
Spark Arrestor Screen	94-8157
Battery Kit	119-9680
Stake Pocket Adapter Kit, 2011 and After Workman MD Series Utility Vehicle	119-9604
Tie-Down Kit, 2011 and After Workman MD Series Utility Vehicle	119-9605
Hitch ASM	131-3462
Road Light and Homologation Kit	120-5031
Brake and Signal Light Kit	120-5044
Trash Can Mounting Kit	07028
Cargo Bed Installation Kit with Manual Dump, 2011 to 2013 Workman MD Series Utility Vehicle	127-7385
Cargo Bed Installation Kit with Electric Lift, 2011 to 2013 Workman MD Series Utility Vehicle	127-7386
Horn Kit	115-7825
Key Start Kit	121-6338
LED Worklight Kit	133-0554
ROPS Beacon Kit	133-0609
Front Spring Kit, 2016 and After MDX or MDX-D Series Utility Vehicle	133-0630
Spanner Wrench	132-5069
Side Mirror Kit	119-9546
Service Hood ASM	133-7209
Wireless Hour Meter Finish Kit	138-5698
Tire (22 X 9.50-10) 4-PLY	127-7435
Tire (24 X 12.00-10) 4P K506	131-6667
Aggressive Tire Kit, Workman MDX Series Utility Vehicle	136-1135
MVP Filter Kit, Mid-Duty Workman Utility Vehicle	30004
External Antenna Kit, Wireless Hourmeter System	115-9524
Base Station Kit, Wireless Hourmeter System	115-9542

Attachments and Accessories (continued)

Repeater Kit, Wireless Hourmeter System	115-9543
Door Mount Mirror Kit.....	136-1997
Shim-Limiter	119-0807
Exterior Mirror Kit.....	130-5448
Interior Mirror Kit	130-5449
Beacon Kit	130-5484
Work Light Kit	130-5485
Windshield Washer Fluid Kit, 2015 and after Workman MD/HD Series Utility Vehicle	130-5615



Count on it.