



**Count on it.**

**Parts Catalog**

**Greensmaster® 1021**

**Mower**

Model No. 04830—Serial No. 407366000 and Up



# Ordering Replacement Parts

To order replacement parts, please supply the part number, the quantity, and the description of each part desired.

## Understanding Reference Numbers

Each identified part in an illustration has a reference number. The reference number for a part also appears in the parts list, along with other information about the part.

This catalog uses two special reference number formats, one to indicate parts in a service assembly and another to indicate the quantity of a given part in an illustration.

## Service Assembly Reference Numbers

Parts in service assemblies have reference numbers in the form a:b. The a represents the reference number of the entire service assembly and the b represents a sequential number unique to each part within the service assembly.

For example, a wheel assembly might be identified by reference number 6, the tire by 6:1, the valve by 6:2, and the wheel by 6:3. When you order the assembly identified by reference number 6, you receive all parts identified by reference numbers 6:1, 6:2, and 6:3. However, you may also order any part individually. Reference numbers of this type appear in illustration and in parts lists.

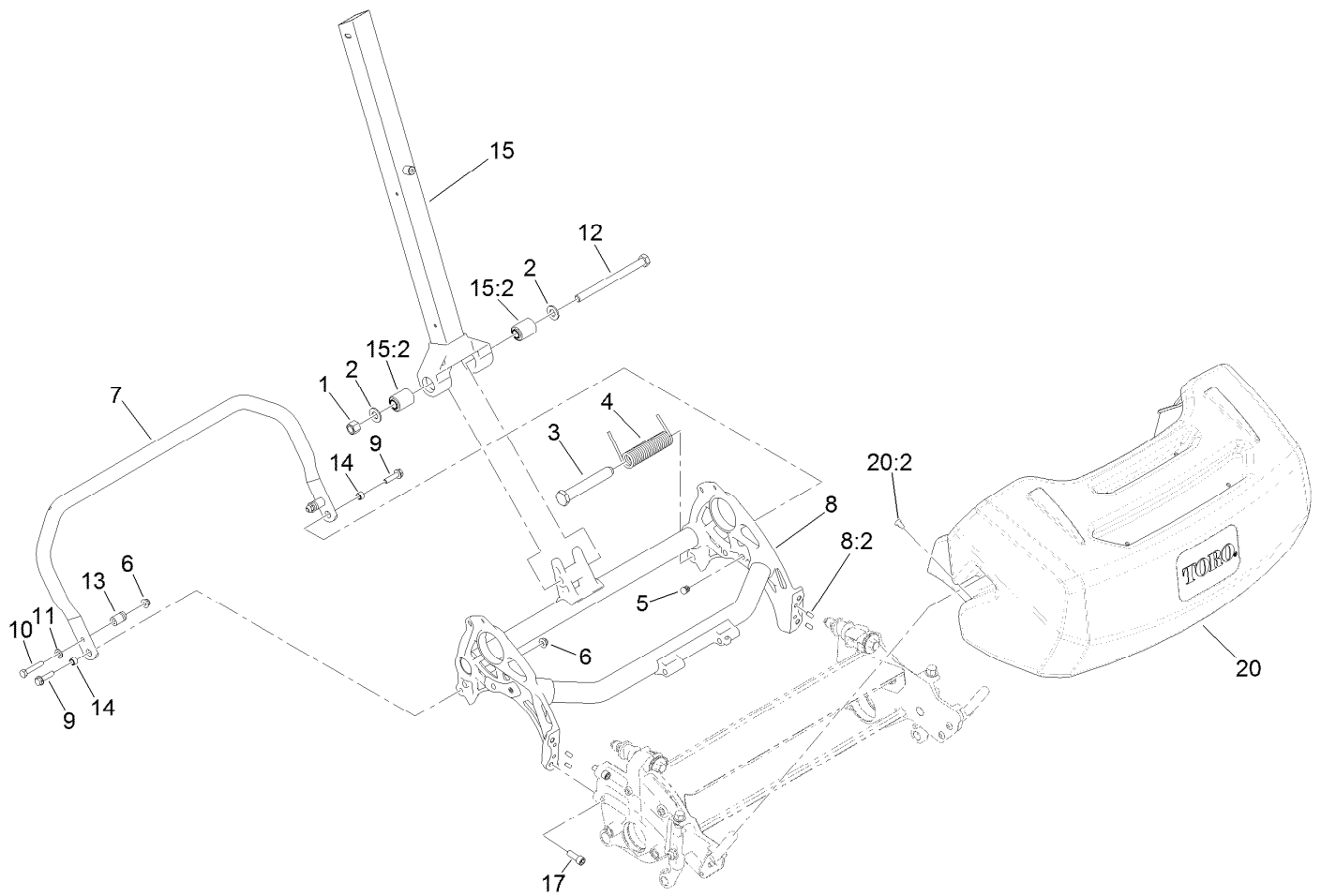
## Reference Numbers Indicating Quantity

In an illustration, if a reference number indicates more than one part, the reference number has the form nX y. The n represents the quantity of the part, the X is the multiplication symbol, and the y represents the reference number.

For example, in an illustration, the reference number 2X 37 means that two of the parts identified by reference number 37 are indicated.

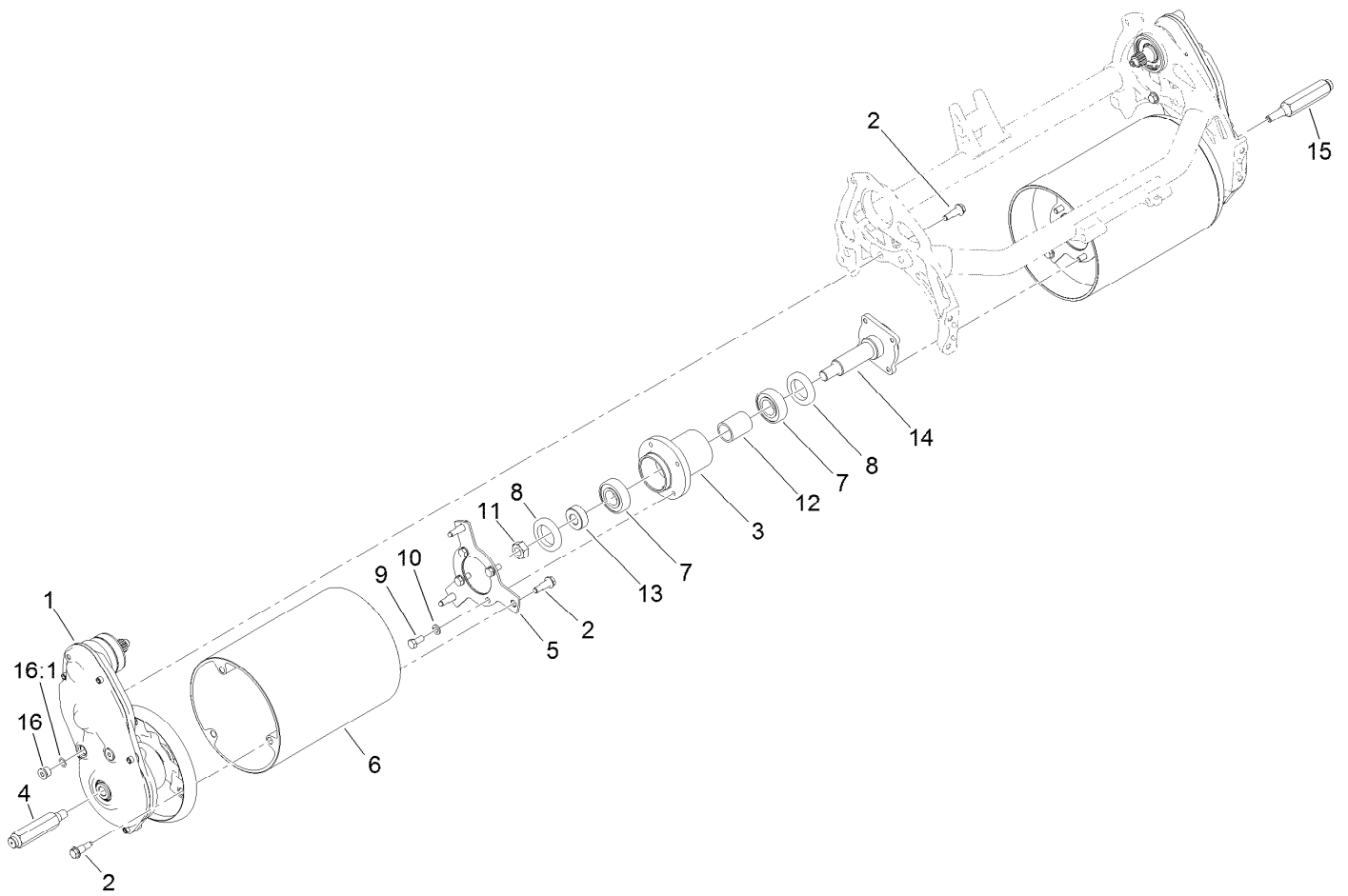
# Contents

Frame and Handle Mount Assembly .....	4
Drum Drive Assembly .....	5
Drum Drive Gearbox Assembly No. 132-4566 .....	6
Drive Shaft and Reel Components Assembly .....	7
Transmission and Engine Assembly .....	8
Engine Assembly No. 138-2142 .....	10
Transmission Gearbox Assembly No. 130-6820 Transmission Case Assembly .....	11
Transmission Gearbox Assembly No. 130-6820 Reel Drive Assembly .....	12
Transmission Gearbox Assembly No. 130-6820 Traction Drive Assembly .....	13
Differential Assembly No. 132-4555 .....	14
Reel Controls and Covers Assembly .....	15
Upper Handle Assembly .....	16
Traction Bail Assembly .....	18
CE Decal .....	19
Attachments and Accessories .....	20



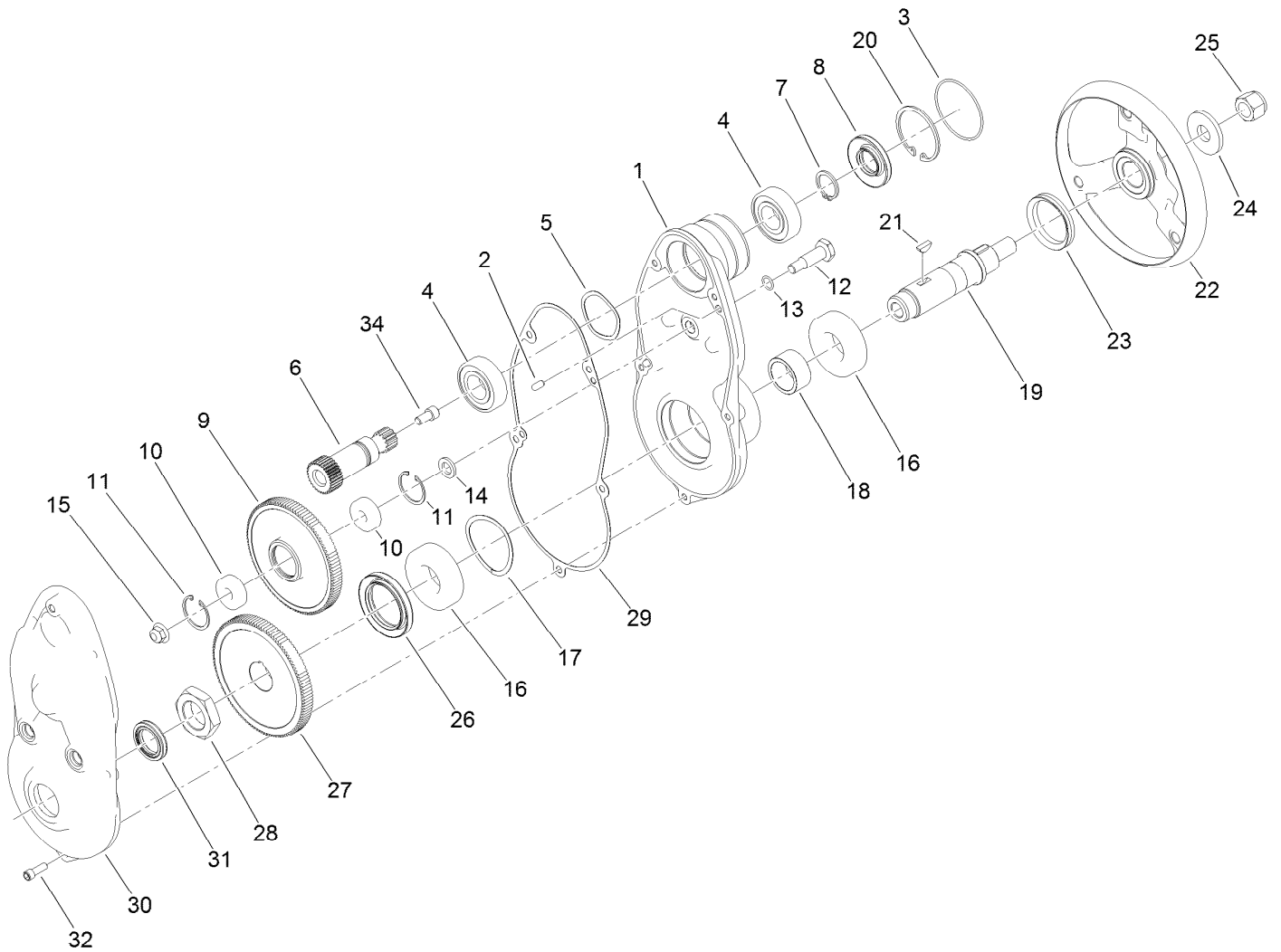
## Frame and Handle Mount Assembly

Ref.	Part Number	Qty.	Description	Ref.	Part Number	Qty.	Description
1	3296-23	1	Nut-Lock, NI	10	322-9	2	Screw-HH
2	3256-26	2	Washer-Flat	11	3256-23	2	Washer-Plain
3	138-1510	1	Pin-Mount, Spring	12	325-33	1	Screw-HH
4	138-1459	1	Spring-Torsion, LH	13	65-7900	2	Retainer-Spring
5	139-4326	2	Plug-Plastic	14	65-7910	2	Spacer
6	119-4041	3	Nut-HF	15	137-0292	1	Lower Handle ASM
7	133-9113-03	1	Kickstand-21 Inch	15:2	138-1469	2	Bushing-Straight
8	138-1647	1	21 Inch Frame ASM	17	3274-7	4	Screw-HSH
8:2	95-0715	4	Pin-Dowel	20	140-9293	1	Basket-Grass
9	112-6913	2	Screw-HHF	20:2	121-4729	4	Plug



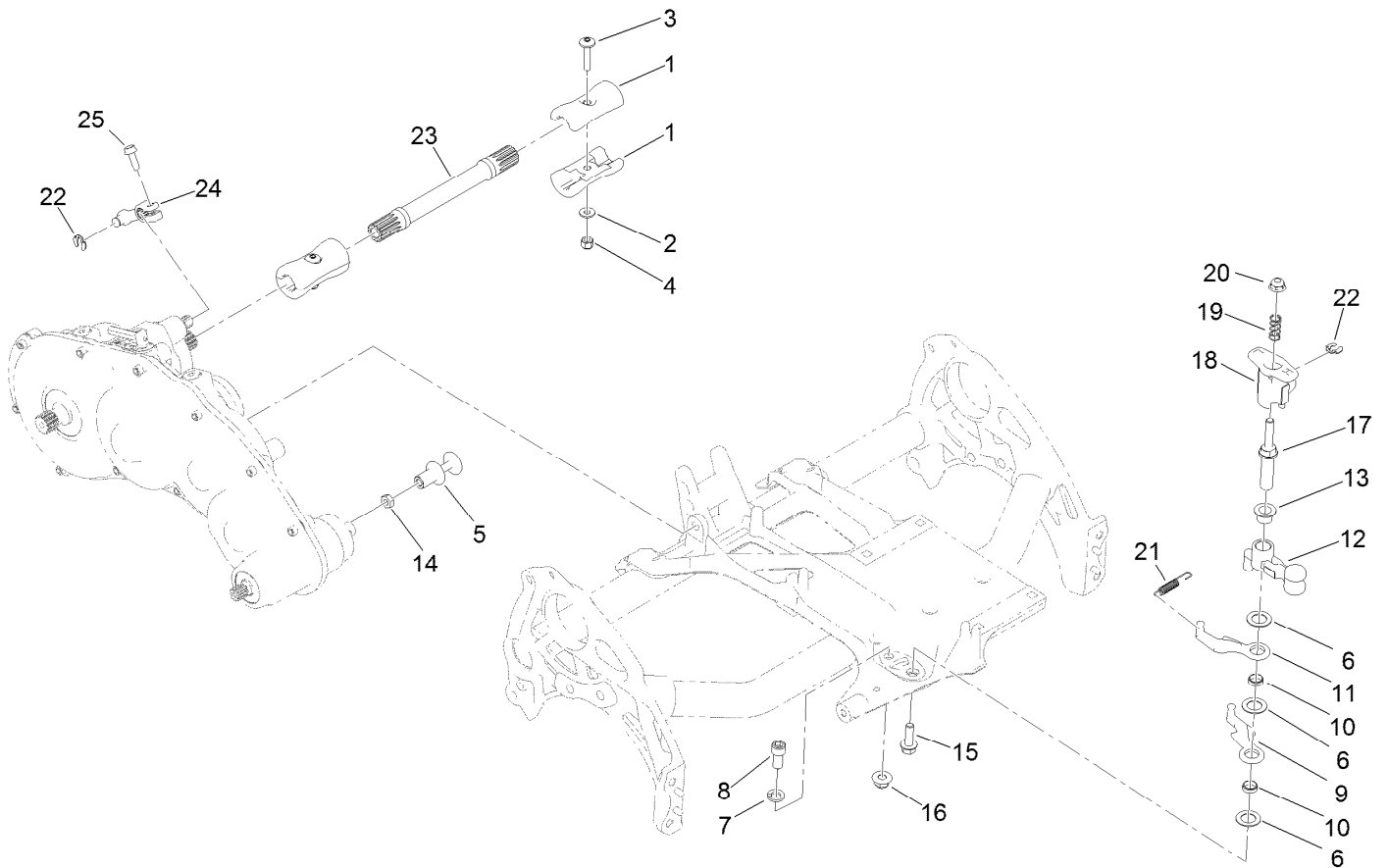
## Drum Drive Assembly

<i>Ref.</i>	<i>Part Number</i>	<i>Qty.</i>	<i>Description</i>	<i>Ref.</i>	<i>Part Number</i>	<i>Qty.</i>	<i>Description</i>
1	132-4566	2	Drum Drive Gear Box ASM	10	3253-4	8	Washer-Lock
2	132-4607	14	Bolt-Shoulder, Flange	11	3296-33	1	Nut-Lock, NI
3	132-6971	1	Hub-Drum	12	65-6520	1	Spacer
4	132-4605	1	Shaft-Hex, RH	13	65-6530	1	Spacer
5	140-9250-0P	2	Plate-Drum, Hub	14	94-5850	1	Spindle-Drum
6	133-9246	2	Drum-Traction, 21 Inch	15	132-4606	1	Shaft-Hex, LH
7	251-82	2	Bearing-Ball	16	353-989	4	Plug-Hex, Hollow
8	253-159	2	Seal	16:1	237-42	1	O-Ring
9	322-3	8	Screw-HH				



## Drum Drive Gearbox Assembly No. 132-4566

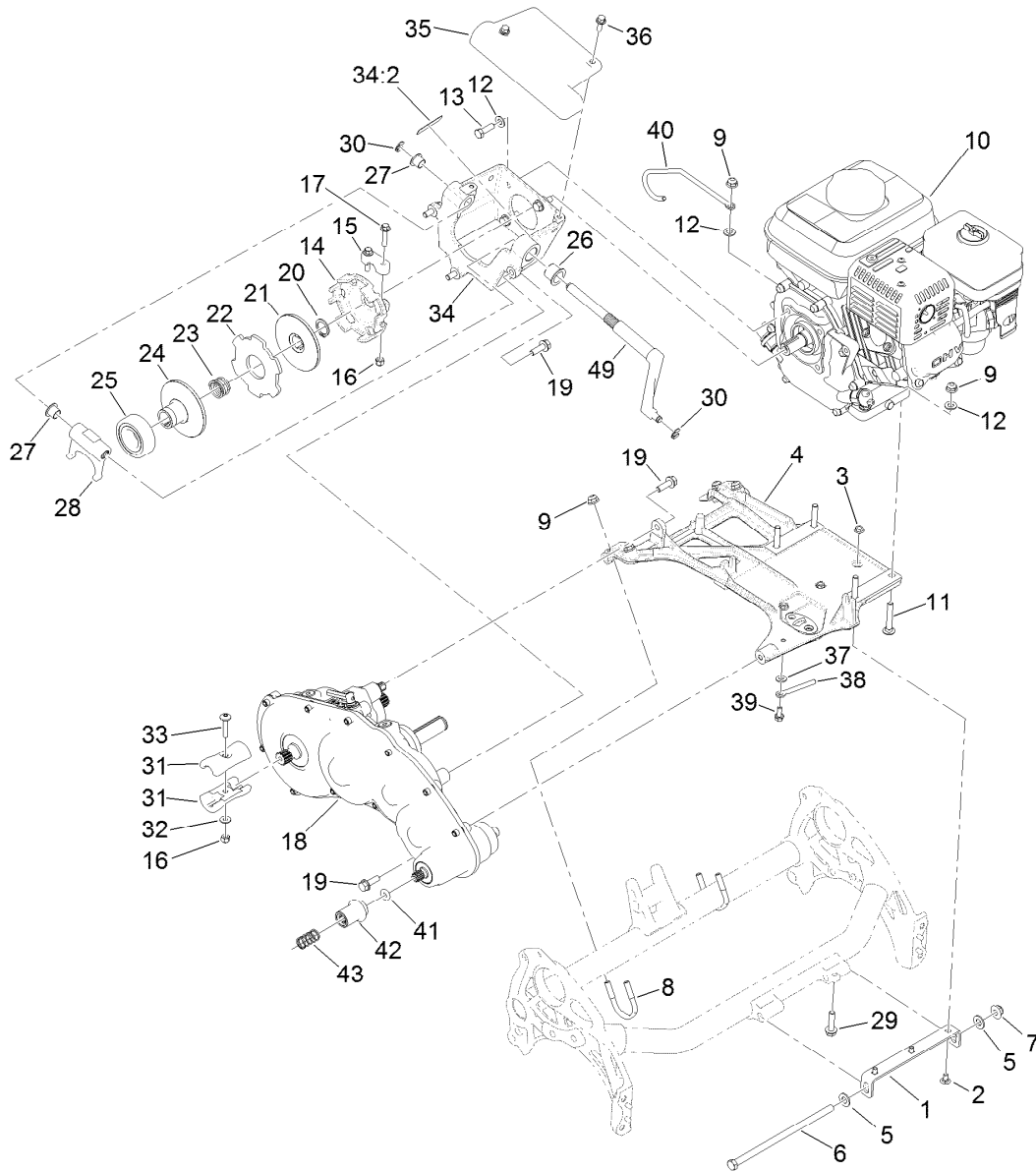
<i>Ref.</i>	<i>Part Number</i>	<i>Qty.</i>	<i>Description</i>	<i>Ref.</i>	<i>Part Number</i>	<i>Qty.</i>	<i>Description</i>
1	137-0282	1	Housing-Drive, Drum	17	115-5258	1	Spring-Wire, Flat
2	133-4591	2	Pin-Dowel	18	132-4568	1	Spacer
3	133-9082	1	O-Ring	19	133-4562	1	Shaft-Drum, Drive
4	251-82	2	Bearing-Ball	20	138-1480	1	Ring-Retaining, Int (52Mm)
5	3290-485	1	Washer-Wave	21	138-1504	2	Key-Woodruff, 5Mm
6	132-4565	1	Gear-Spur, 30T	22	133-9244	1	Hub-Drum, Outer
7	138-1507	1	Ring-Retaining, EXT (25Mm)	23	253-161	1	Seal-V-Ring
8	138-1491	1	Seal-Oil	24	104-9216	1	Washer-Hardened
9	137-0274	1	Gear-Spur, 108T	25	126-3841	1	Nut-Hex, NI
10	49-2410	2	Bearing-Ball	26	138-1490	1	Seal-Oil
11	138-1506	2	Ring-Retaining, Int (32Mm)	27	137-0275	1	Gear-Spur, 114T
12	133-4558	1	Pin-Bearing, Short	28	133-9078	1	Nut-Hex
13	80-8460	1	O-Ring	29	132-4569	1	Gasket-Drive, Drum
14	133-4553	1	Spacer-Bearing	30	137-0284	1	Cover-Drive, Drum
15	119-4042	1	Nut-HF, NI	31	133-4559	1	Seal-Oil
16	251-312	2	Bearing-Ball	32	3274-8	5	Screw-HSH
				34	3274-12	1	Screw-HSH



## Drive Shaft and Reel Components Assembly

Ref.	Part Number	Qty.	Description
1	133-9100	4	Coupler-Splined, 4 Tooth
2	119-8952	2	Washer
3	126-8232	2	Screw-Truss
4	3296-42	2	Nut-Lock, NI
5	133-9207	1	Adapter-Slider
6	139-7362	3	Washer-Poly
7	3253-21	1	Washer-Lock
8	131-8573	1	Screw-HSH
9	138-1523	1	Reel Lever
10	133-9226	2	Bushing-Straight
11	138-1524	1	Lever-Reel
12	133-9206	1	Bellcrank-Reel
13	125-5239	1	Bushing-Flange

Ref.	Part Number	Qty.	Description
14	120-9638	1	Nut-Jam
15	115-5142	1	Screw-HHF
16	119-4042	1	Nut-HF, NI
17	137-0298	1	Shaft-Selector, Reel
18	137-0299	1	Hub-Selector, Reel
19	117-1031	1	Spring-Compression
20	119-4041	1	Nut-HF
21	119-4609	1	Spring-Extension
22	32151-47	2	Ring-Retaining
23	133-9208	1	Shaft-Drive
24	133-9117	1	Lever-Brake, Cable
25	131-6150	1	Screw-HWHTF

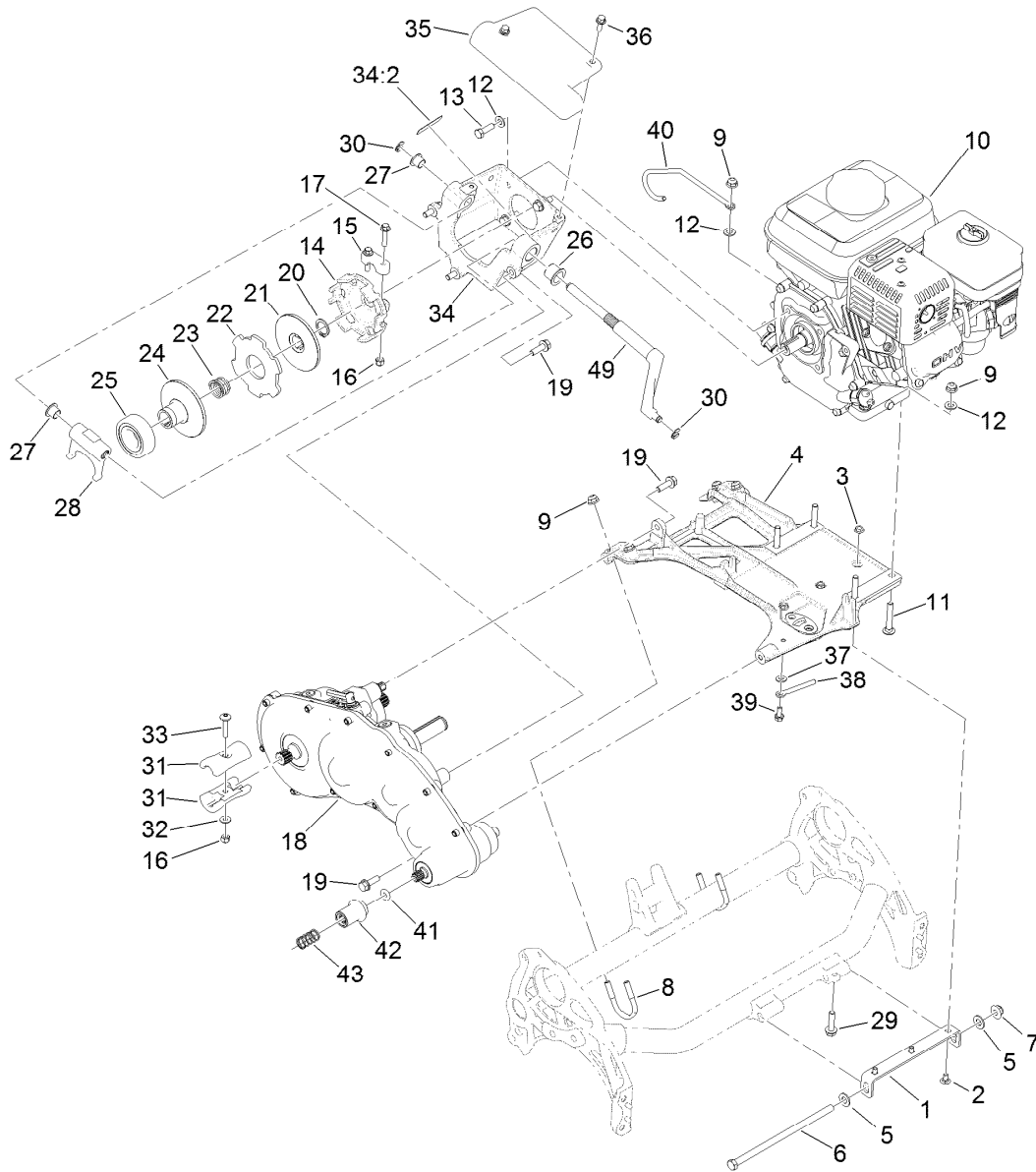


## Transmission and Engine Assembly

Ref.	Part Number	Qty.	Description	Ref.	Part Number	Qty.	Description
1	138-1623-01	1	Bracket-Mount, Engine	18	130-6820	1	Transmission Gear Box ASM
2	116-5611	3	Bolt-CARRIAGE 1/4-20 X 1/2 Short Neck	19	115-5142	5	Screw-HHF
3	32128-10	3	Nut-Lock, HHF	20	32151-33	1	Ring-Retaining, EXT
4	138-5517	1	Base-Engine	21	133-9095	1	Disc-Clutch
5	3256-24	2	Washer-Flat	22	133-9094	1	Plate-Friction
6	323-30	1	Screw-HH	23	133-9123	1	Spring-Compression, Clutch
7	119-4042	1	Nut-HF, NI	24	138-1508	1	Disc-Clutch, Slider
8	137-0301	2	Clamp-Tube	25	138-1505	1	Bearing-Sealed, Self Aligning
9	119-4041	8	Nut-HF	26	132-4089	1	Bushing
10	138-2142	1	Engine ASM ●	27	125-5239	2	Bushing-Flange
11	3230-6	4	Bolt-CARR	28	138-3548	1	Fork-Clutch
12	3256-23	8	Washer-Plain	29	112-6913	1	Screw-HHF
13	131-5919	4	Screw-HH, Patch	30	32151-47	2	Ring-Retaining
14	138-3542	1	Hub-Clutch, External	31	133-9100	2	Coupler-Splined, 4 Tooth
15	138-5522	1	Clamp-Hub, Clutch	32	119-8952	1	Washer
16	3296-42	3	Nut-Lock, NI	33	126-8232	1	Screw-Truss
17	127-8639	2	Screw-HHF				

● Obtain parts from [www.honda-engines.com](http://www.honda-engines.com)



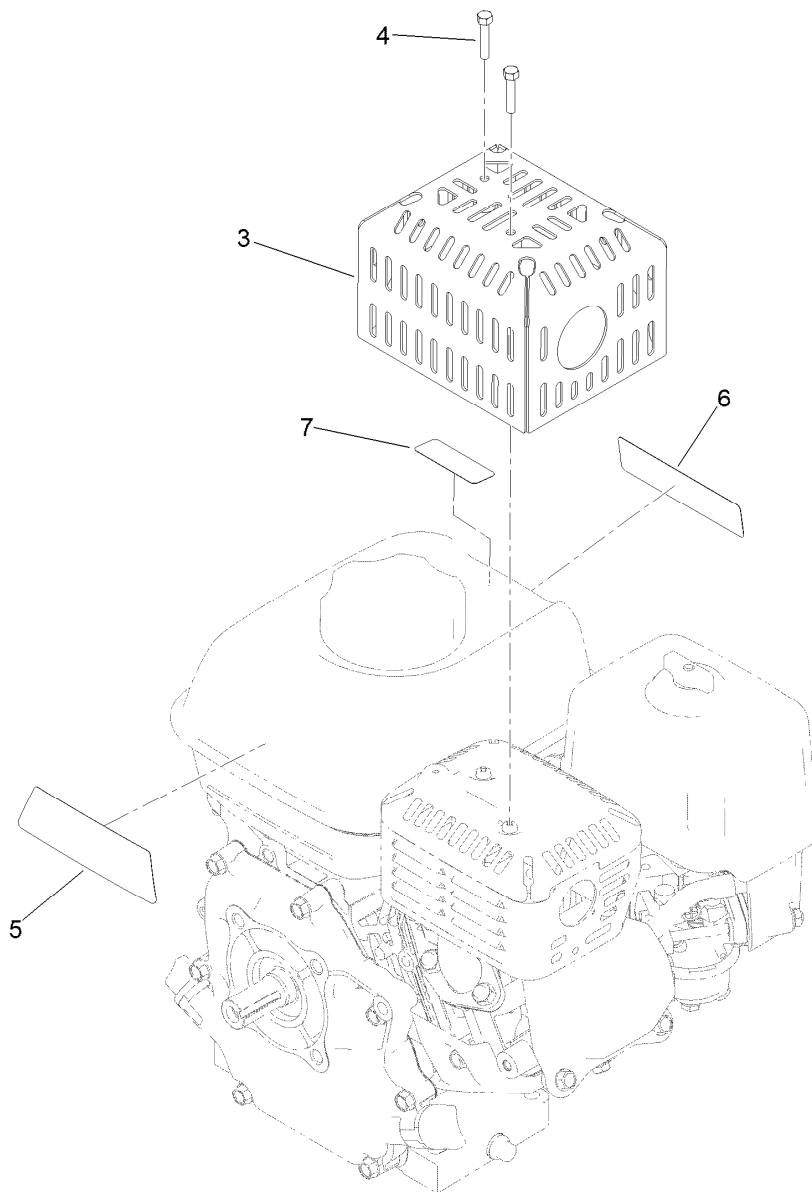


## Transmission and Engine Assembly (continued)

Ref.	Part Number	Qty.	Description
34	139-4301	1	Bell Housing ASM
34:2	120-9570	1	Decal-Warning
35	138-5545	1	Cover-Clutch
36	120-9678	2	Screw-HHF
37	3256-22	1	Washer-Flat
38	138-1591	1	Guide-Cable
39	3234-33	1	Screw-HHF

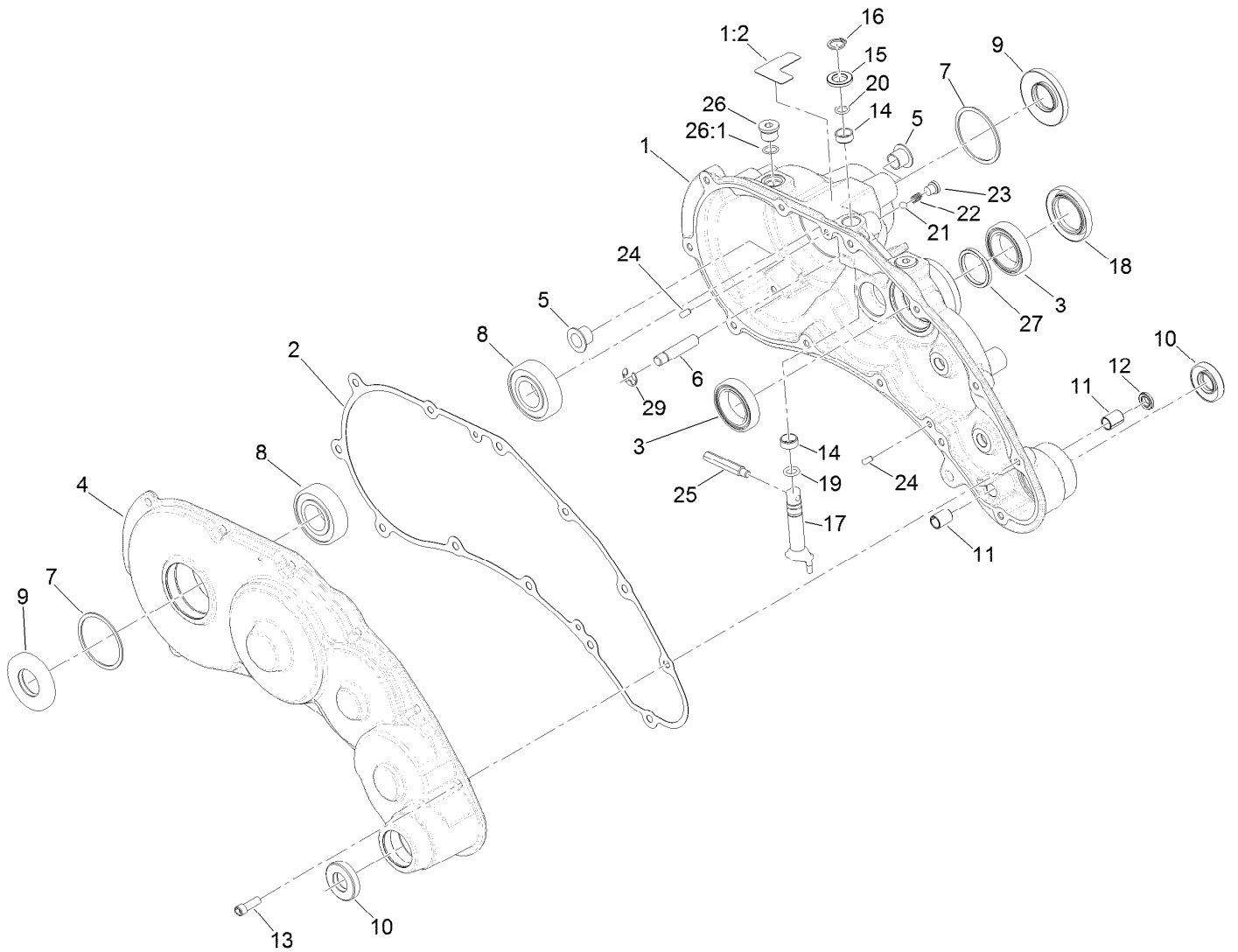
Ref.	Part Number	Qty.	Description
40	139-4309	1	Guide-Cable
41	139-4357	1	O-Ring
42	132-4619	1	Tube-Drive, Reel
43	133-9128	1	Spring-Compression, Coupler
49	138-3549	1	Shaft-Fork

● Obtain parts from [www.honda-engines.com](http://www.honda-engines.com)



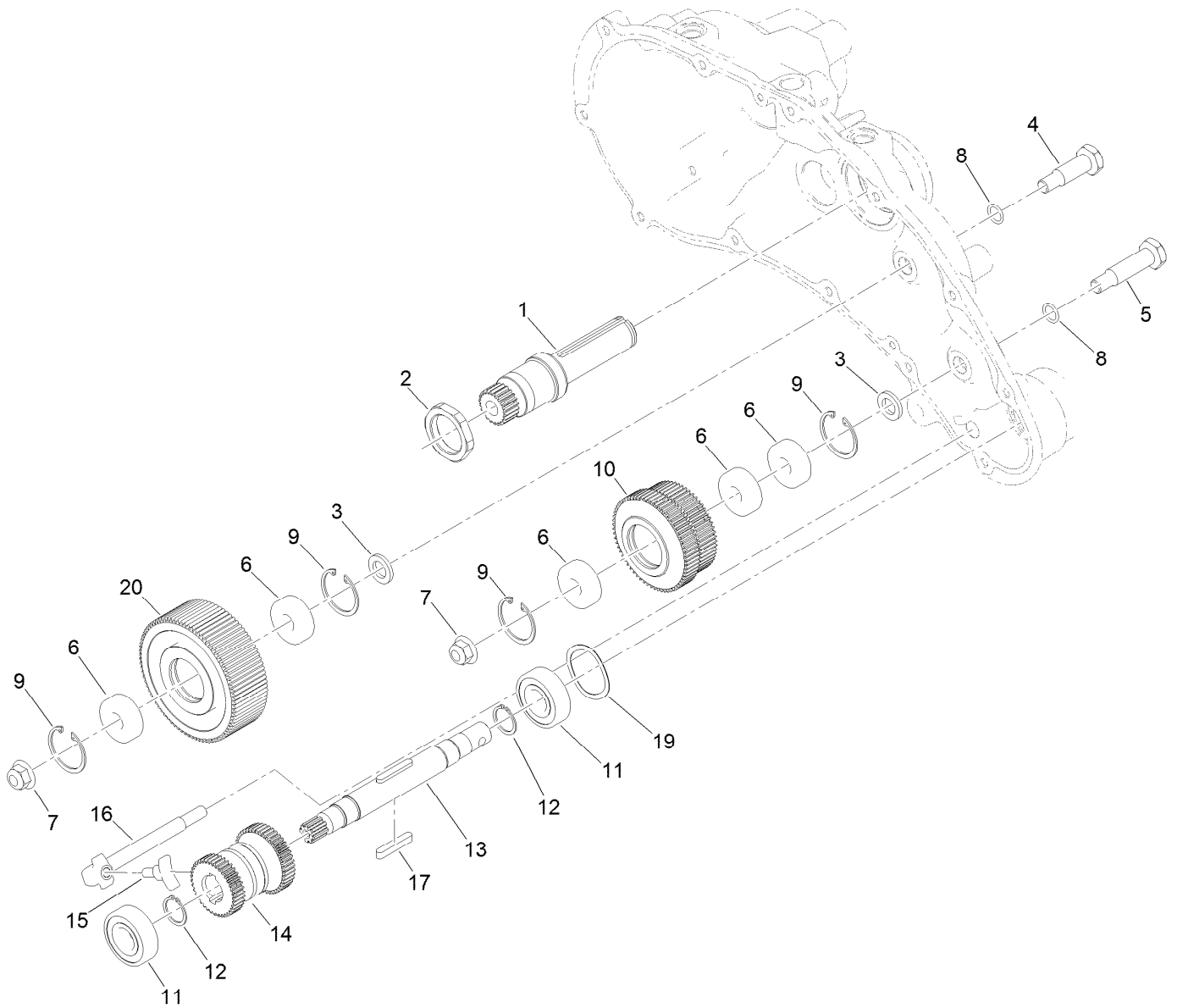
## Engine Assembly No. 138-2142

<i>Ref.</i>	<i>Part Number</i>	<i>Qty.</i>	<i>Description</i>
3	138-2128-03	1	Guard-Muffler
4	87-5150	2	Screw-HH
5	138-2138	1	Decal-Warning, Engine
6	133-8062	1	Decal-Arrestor, Spark
7	130-8322	1	Decal-Warning, Ethanol



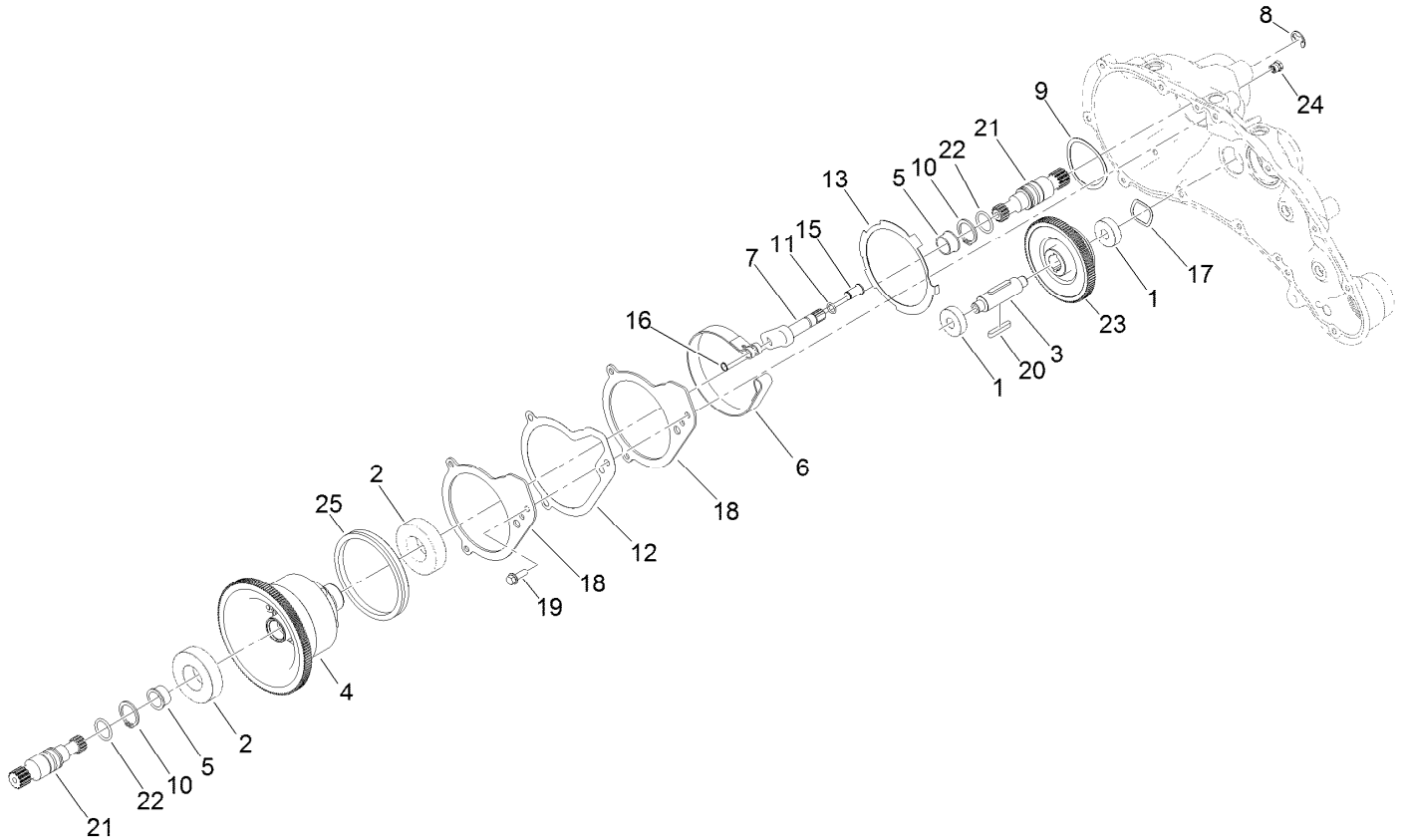
## Transmission Gearbox Assembly No. 130-6820 Transmission Case Assembly

<i>Ref.</i>	<i>Part Number</i>	<i>Qty.</i>	<i>Description</i>	<i>Ref.</i>	<i>Part Number</i>	<i>Qty.</i>	<i>Description</i>
1	139-4306	1	Transmission Housing ASM	15	108-5059	1	Spacer-Bushing
1:2	138-1644	1	Decal-Release, Traction	16	32151-61	1	Ring-Retaining
2	132-4551	1	Gasket-Transmission	17	130-6816	1	Shaft-Selector, Traction
3	121-9281	2	Bearing-Ball	18	116-5647	1	Seal-Grease
4	138-1603	1	Transmission Cover ASM	19	131-1879	1	O-Ring Seal
5	125-5239	2	Bushing-Flange	20	237-22	1	O-Ring
6	133-9122	1	Pin-Mount, Brake	21	105-2442	1	Ball-Detent
7	32151-92	2	Ring-Retaining	22	105-2443	1	Spring-Detent
8	251-82	2	Bearing-Ball	23	131-1825	1	Plug-ORB
9	133-9075	2	Seal-Oil	24	121-9249	2	Pin-Dowel
10	130-9463	2	Seal-Oil	25	133-9149	1	Pin-Groomer
11	131-3038	2	Bushing-Sleeve	26	353-989	2	Plug-Hex, Hollow
12	131-3126	1	Seal-Oil	26:1	237-42	1	O-Ring
13	140-9233	12	Screw-HSH	27	138-1496	1	Spacer
14	121-4738	2	Bushing-Straight	29	105-7004	1	E-Ring



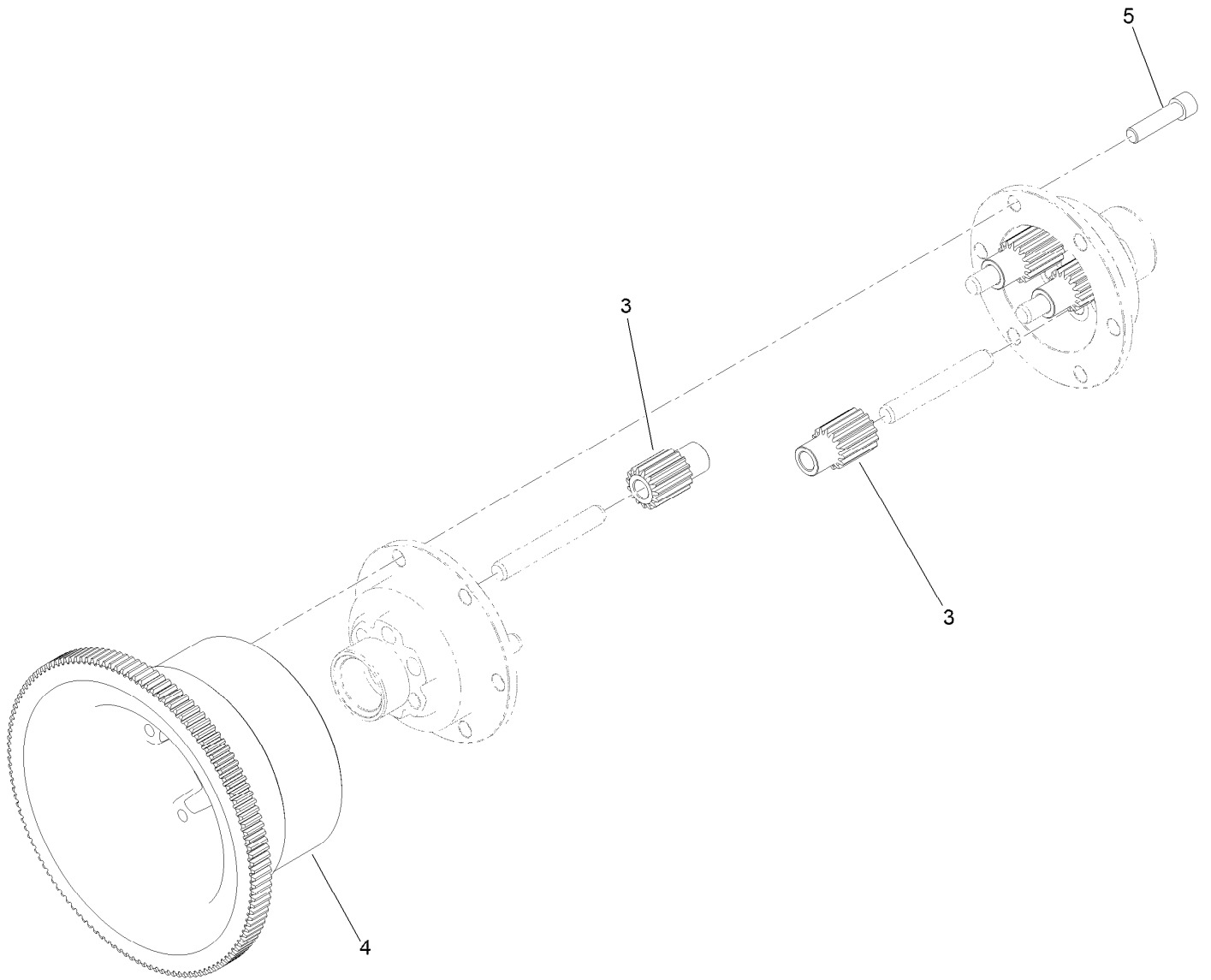
## Transmission Gearbox Assembly No. 130-6820 Reel Drive Assembly

<i>Ref.</i>	<i>Part Number</i>	<i>Qty.</i>	<i>Description</i>	<i>Ref.</i>	<i>Part Number</i>	<i>Qty.</i>	<i>Description</i>
1	138-1509	1	Shaft-Input, 22T	11	38-7820	2	Bearing-Ball
2	138-1495	1	Nut-Lock, Thin	12	138-1629	2	Ring-Retaining, EXT (17Mm)
3	133-4553	2	Spacer-Bearing	13	139-4359	1	Shaft-Drive, Reel
4	133-4558	1	Pin-Bearing, Short	14	130-6834	1	Gear-Spur, Slider
5	133-4557	1	Pin-Bearing, Long	15	133-9120	1	Shoe-Clutch, Reel
6	49-2410	5	Bearing-Ball	16	133-9121	1	Actuator-Clutch, Reel
7	104-8301	2	Nut-HF, NI	17	103-2739	2	Key
8	80-8460	2	O-Ring	19	131-3170	1	Spring-Wave
9	138-1506	4	Ring-Retaining, Int (32Mm)	20	137-0273	1	Gear-Spur, 85T
10	137-0272	1	Gear-Spur, 60T/65T				



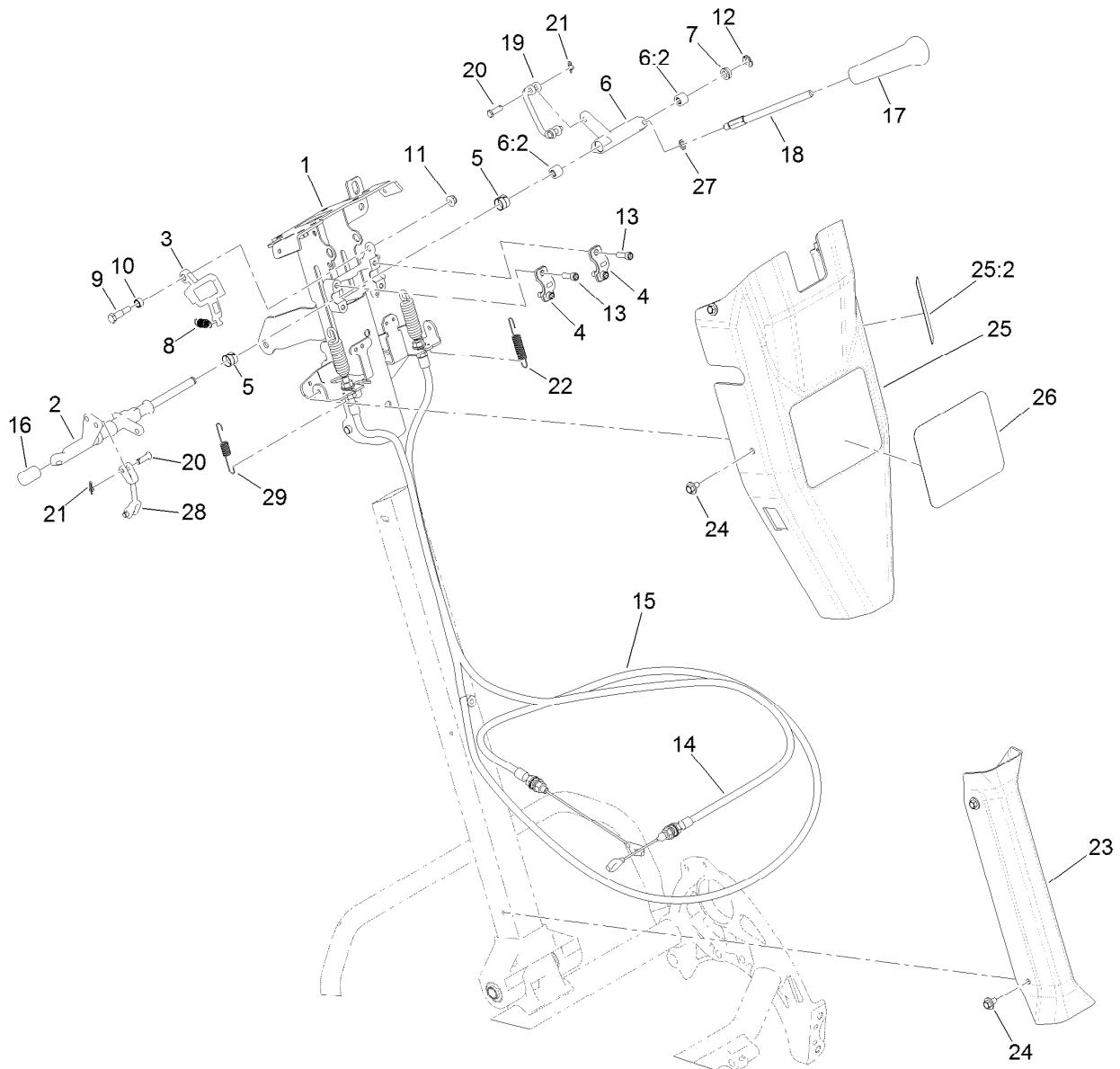
## Transmission Gearbox Assembly No. 130-6820 Traction Drive Assembly

<i>Ref.</i>	<i>Part Number</i>	<i>Qty.</i>	<i>Description</i>	<i>Ref.</i>	<i>Part Number</i>	<i>Qty.</i>	<i>Description</i>
1	49-2410	2	Bearing-Ball	13	140-9236	1	Plate-Retainer, Brake
2	251-312	2	Bearing-Ball	15	120-9687	1	Pin-Clevis, Brake
3	137-0236	1	Shaft-Slider, Neutral	16	32120-46	1	Ring-Retaining
4	132-4555	1	Differential ASM	17	112-5163	1	Washer-Wave
5	256-252	2	Bearing-Flange	18	140-9237	2	Plate-Seal, Brake
6	130-6824	1	Band-Brake	19	119-1138	4	Screw-HWH
7	132-4550	1	Lever-Brake	20	103-2739	2	Key
8	32120-47	1	Ring-Retaining, External	21	130-6841	2	Shaft-Differential
9	115-5258	1	Spring-Wire, Flat	22	237-159	2	O-Ring
10	32151-36	2	Ring-Retaining	23	137-0276	1	Gear-Spur, Neutral (93T)
11	237-22	1	O-Ring	24	133-4589	1	Fitting-Plug
12	140-9249	1	Gasket-Plate, Brake	25	138-1472	1	V-Ring, Seal



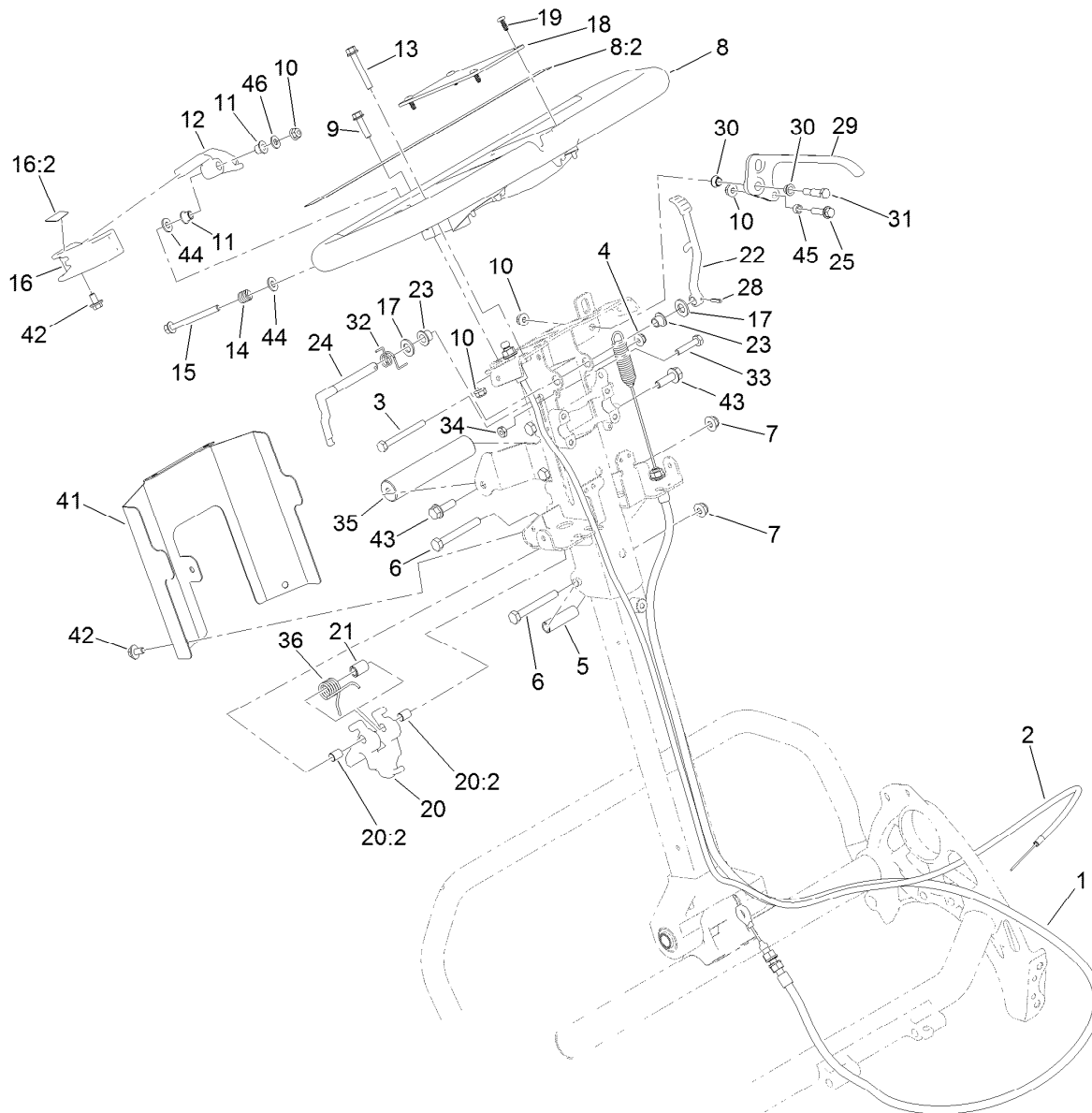
## Differential Assembly No. 132-4555

<i>Ref.</i>	<i>Part Number</i>	<i>Qty.</i>	<i>Description</i>
3	130-6840	6	Gear-Spur, Differential
4	137-0294	1	Gear-Differential, 127T
5	3274-26	6	Screw-HSH



## Reel Controls and Covers Assembly

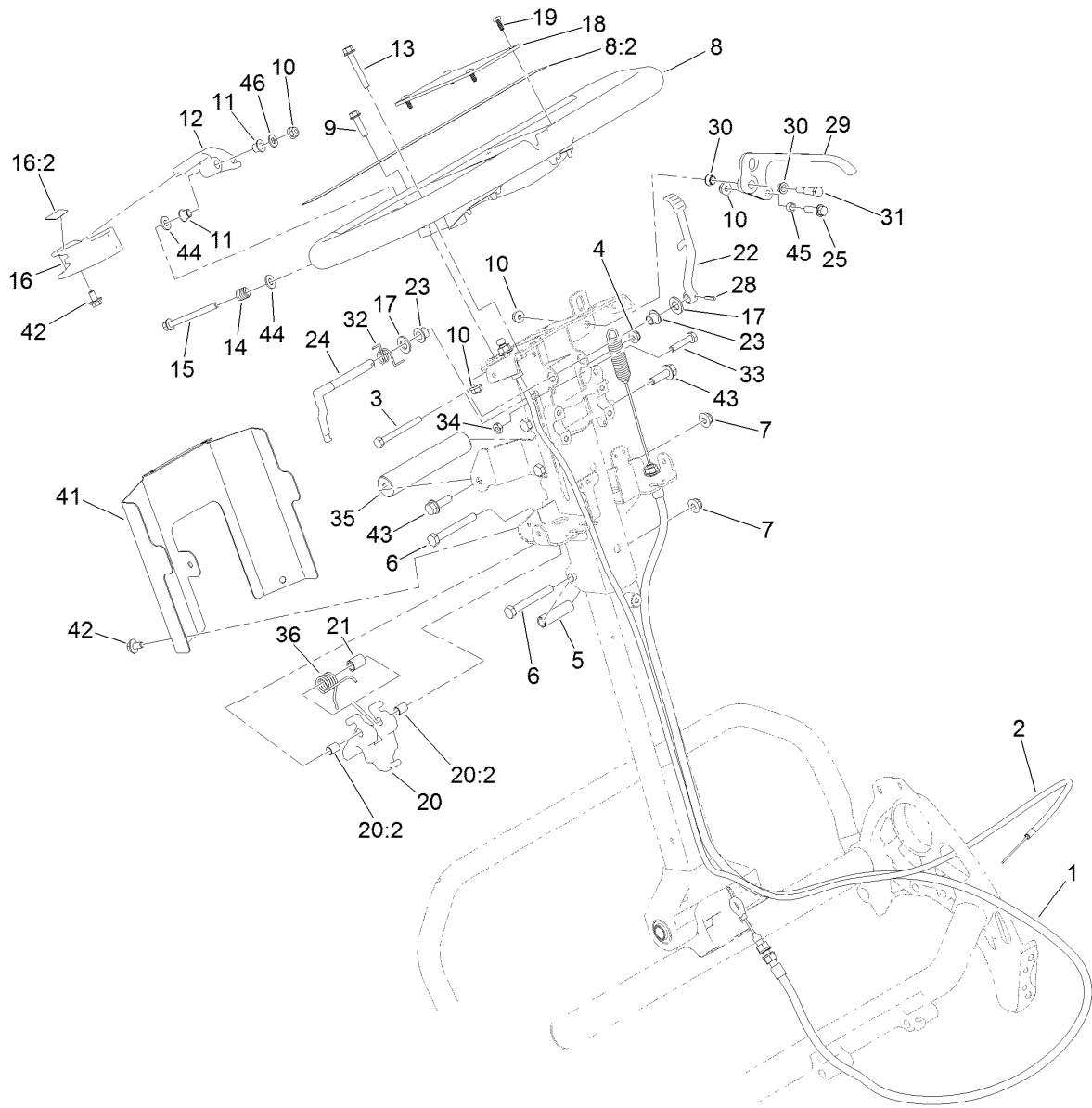
Ref.	Part Number	Qty.	Description	Ref.	Part Number	Qty.	Description
1	140-9217-0P	1	Receiver-Upper	16	138-1641	1	Stockcap
2	137-0264	1	Shaft-Main, Controls	17	104-9760	1	Knob-Black
3	137-0266	1	Cam-Latch, Upper	18	137-0190	1	Rod-Handle, Reel Lever
4	138-1513	2	Clamp-Shaft, Control	19	137-0232	1	Connector-Clevis
5	137-0263	2	Bushing-Split	20	1-808265	4	Pin-Clevis
6	137-0312	1	Reel Lever ASM	21	138-1587	2	Clip-Pin, Cotter
6:2	138-1637	2	Bearing-Needle	22	138-1536	1	Spring-Extension
7	131-3187	1	Seal-V-Ring	23	138-1479	1	Cover-Handle, Lower
8	140-3410	1	Spring-Extension	24	46-6810	8	Screw And Washer ASM
9	137-0313	1	Screw-Shoulder	25	139-4304	1	Control Upper Cover ASM
10	137-0346	1	Spacer-Latch, Bail	25:2	138-1589	1	Decal-Reel Drive Engagement
11	104-7201	1	Nut-HF	26	138-1580	1	Decal-Greensmaster 1021
12	32151-47	1	Ring-Retaining	27	75-5470	1	Spacer-Bearing
13	3274-8	4	Screw-HSH	28	138-1592	1	Connector-Clevis
14	137-0180	1	Cable-Clutch	29	140-3417	1	Spring-Extension
15	137-0181	1	Cable-Traction				



## Upper Handle Assembly

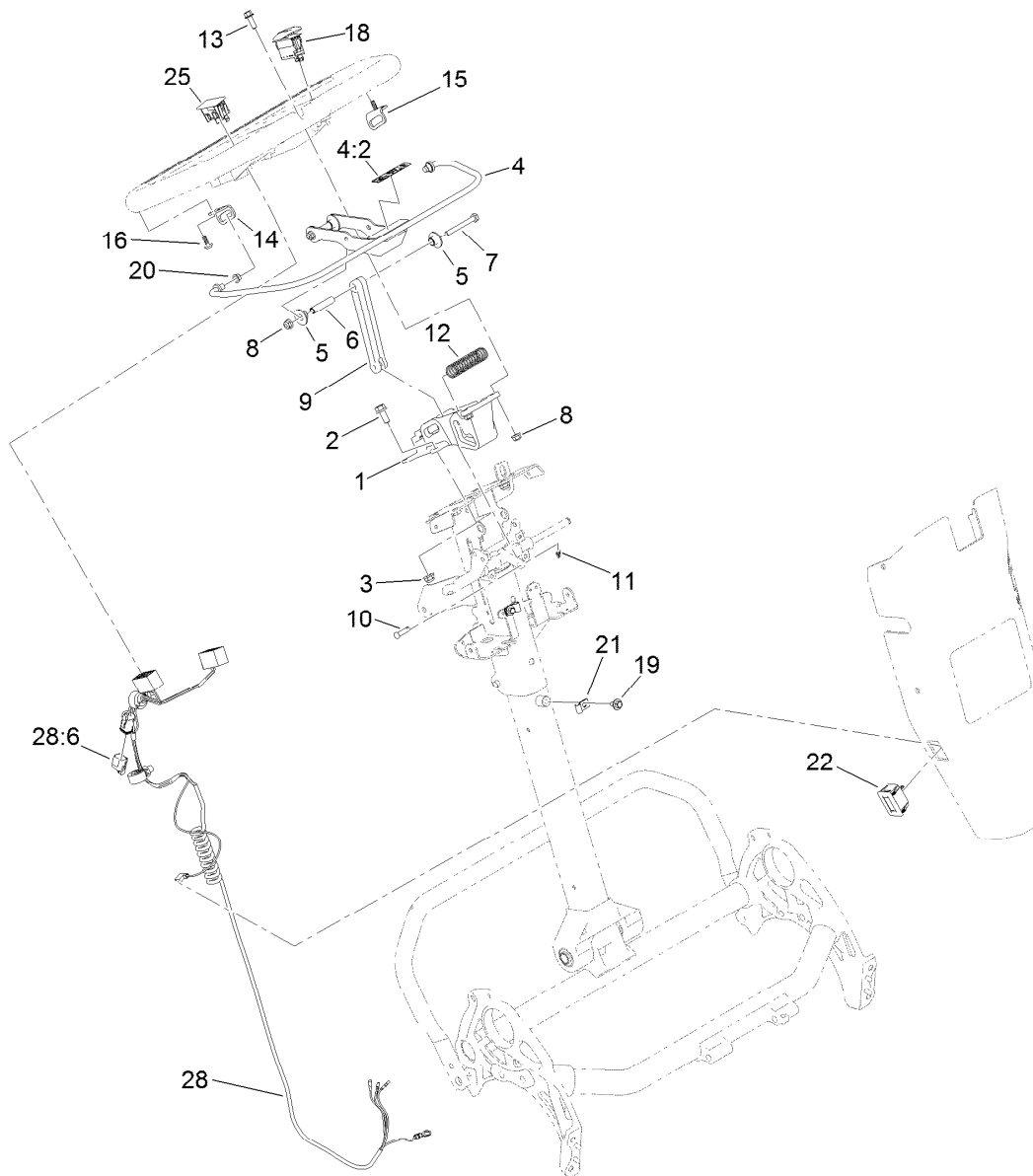
Ref.	Part Number	Qty.	Description	Ref.	Part Number	Qty.	Description
1	137-0183	1	Cable-Brake	20	137-0317	1	Handle Adjuster ASM
2	137-0182	1	Cable-Throttle	20:2	137-0308	2	Bushing-Igus
3	321-15	1	Screw-HH	21	137-0318	1	Spacer-Spring
4	104-7201	1	Nut-HF	22	140-3377	1	Lever-Lock, Brake
5	110-0618	1	Pin-Clevis	23	138-1514	2	Bushing-Flange
6	75-5470	1	Spacer-Bearing	24	138-1573	1	Latch-Brake
7	3272-6	1	Pin-Cotter	25	119-1066	1	Screw-HF
8	138-1645	1	Handle ASM	28	32121-73	1	Pin-Roll
8:2	138-5532	1	Decal-Warning, General	29	138-5505	1	Lever
9	120-4654	2	Screw-HHF	30	138-5538	2	Bushing-Flange
10	119-4040	5	Nut-Flange, NI	31	138-1559	1	Screw-Shoulder
11	138-3538	2	Bushing-Flange	32	138-1518	1	Spring-Brake, Torsion
12	138-1636	1	Arm-Throttle	33	114-0282	1	Screw-HH
13	138-5527	1	Screw-HHF	34	120-9695	1	Nut-Jam
14	3-5787	1	Spring-Compression	35	138-1535	1	Handle-Assist, Lift
15	114-8410	1	Screw-HHF	36	138-1481	1	Spring-Handle, Torsion
16	139-4303	1	Throttle Lever ASM	41	138-5530-03	1	Cover-Bottom, Controls
16:2	138-5534	1	Decal-Throttle	42	46-6810	3	Screw And Washer ASM
17	33095-00	2	Washer-Flat	43	115-5142	2	Screw-HHF
18	138-5514	1	Plate-Notepad, Handle	44	3256-22	2	Washer-Flat
19	127-6843	4	Screw-Plastite, Torx Pan				





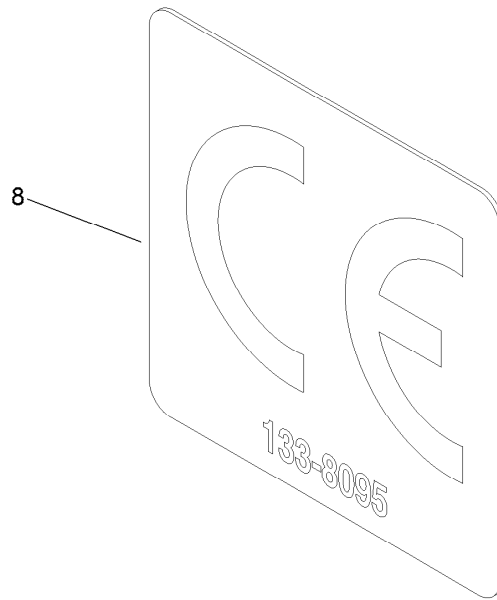
## Upper Handle Assembly (continued)

<i>Ref.</i>	<i>Part Number</i>	<i>Qty.</i>	<i>Description</i>
45	120-6564	1	Spacer
46	139-1323	1	Washer-Spcl



## Traction Bail Assembly

<i>Ref.</i>	<i>Part Number</i>	<i>Qty.</i>	<i>Description</i>	<i>Ref.</i>	<i>Part Number</i>	<i>Qty.</i>	<i>Description</i>
1	138-5524	1	Mount-Handle	13	120-9678	2	Screw-HHF
2	3234-47	2	Screw-HHF	14	138-3539	1	Bracket-Bail, RH
3	119-4041	2	Nut-HF	15	138-3540	1	Bracket-Bail, LH
4	139-4302	1	Clutch Bail ASM	16	138-5775	2	Screw-Delta Point
4:2	138-5533	1	Decal-Bail, Traction	18	122-1497	1	Switch-Rocker, On-None-Off
5	138-3466	4	Bushing-Flange	19	46-6810	2	Screw And Washer ASM
6	138-3465	2	Spacer-Tube	20	138-5538	2	Bushing-Flange
7	321-18	2	Screw-HH	21	2412-72	2	Clip-Closed, Insulated
8	119-4040	4	Nut-Flange, NI	22	119-1347	1	Meter-Hour
9	138-5515	1	Link-Bail, Clutch	25	119-7791	1	Plug-Hole, Carling
10	353-322	1	Pin-Clevis	28	122-1416	1	Harness-Wire
11	138-1587	1	Clip-Pin, Cotter	28:6	32180-091	1	Cap-Dust, 2 Way
12	138-3468	1	Spring-Compression				



## CE Decal

<i>Ref.</i>	<i>Part Number</i>	<i>Qty.</i>	<i>Description</i>
8	133-8095	1	Decal-CE

# Attachments and Accessories

## For 04830 Greensmaster 1021 Mower

Product Name	Model/Part
Paspalum Wiehle Roller, Greensmaster Flex 1021 Traction Unit .....	04028
Wheel Kit .....	04123
Light Kit (2019+) .....	04135
Push Broom Kit, Walk Greensmower (2019+) .....	04136
Extended Wiehle Roller, 21in .....	04141
Trans Pro 80 Tow-Behind Trailer.....	04238
Trans Pro 100 Tow-Behind Trailer.....	04240
Flat Ramp .....	04245
Rail Ramp Kit (Update).....	04247
21in Soft Grooming Brush.....	04270
21in Stiff Grooming Brush.....	04271
Turf Evaluator .....	04399
Universal Groomer Drive .....	04707
Backlap Kit.....	04800
21in Twin Tip Groomer Reel .....	04802
21 Inch Interlaced Narrow Wiehle .....	04805
21in Full Roller.....	04815
21in Wide Wiehle Roller.....	04825
8-Blade 21in Fixed Cutting Unit .....	04832
11-Blade 21in Fixed Cutting Unit.....	04833
14-Blade 21in Fixed Cutting Unit .....	04834
Wide Wiehle Steel Roller Asm .....	107-3514
Bedknife-Tournament, Extended .....	108-4302
Bedknife-Microcut, Extended.....	108-4303
Bedknife-EDGEMAX, Microcut.....	115-1880
Bedknife-EDGEMAX, Tournament Cut .....	115-1881
Roller Extension Kit .....	115-7361
Front Brush for Wide Wiehle Roller (Qty 1) .....	115-7378
Front Brush for Full Roller (Qty 1) .....	115-7379
Front Comb for Wide Wiehle Roller (Qty 1).....	115-7381
Front Comb for Full Roller (Qty 1) .....	115-7382
MVP Kit-Cutting Unit Re-Build .....	121-2637
Premium Engine Oil 10w30 (55 Gallon Drum) .....	121-6392
Premium Engine Oil 10w30 (5 Gallon Pail) .....	121-6393
Front Scraper for Wide Wiehle Roller (Qty 1) .....	125-3504
Front Scraper for Full Roller (Qty 1) .....	125-3505
Toro Reel Paper (10 Pack).....	125-5610
Toro Reel Shim (0.002in) .....	125-5611
21in Soft Grooming Brush Kit.....	127-1547
21in Stiff Grooming Brush Kit.....	127-1548
Angle Indicator.....	131-6828
Angle Indicator Mount.....	131-6829
Blade-Groomer, Universal Harden Blade (Thin) .....	132-4626
Bedbar .....	133-4525-01
Grease-Synthetic.....	136-8595
Rail Ramp Kit TP100 .....	138-5011

## Attachments and Accessories (continued)

Retention Kit .....	139-2683
Bedknife-EDGEMAX, Microcut Short .....	139-4320
Bedknife-EDGEMAX, Tournament Short .....	139-4321
Access Backlap Kit .....	139-4342
Wireless Hour Meter Kit .....	139-4369
Front Brush for Interlaced Wiehle Roller (Qty 1) .....	139-4383
Front Scraper for Interlaced Wiehle Roller (Qty 1).....	139-4385
Retention Straps Kit.....	139-6477
Wiehle Roller ASM, 21 Inch .....	140-3363
Bedknife-Fairway.....	63-8610
Bedknife-Microcut.....	93-4262
Bedknife-Tournament Cut.....	93-4263
Bedknife-Low Cut .....	93-4264
Bedknife-Highcut .....	94-6392
Height-of-Cut Bar.....	94-9010
Extended HOC Arm .....	99-4286

**Notes:**

**Notes:**



**Count on it.**