



Count on it.

Parts Catalog

Powered Bagger

TITAN® MAX Zero-Turn-Radius Riding Mower

Model No. 79347—Serial No. 400000000 and Up



Ordering Replacement Parts

To order replacement parts, please supply the part number, the quantity, and the description of each part desired.

Understanding Reference Numbers

Each identified part in an illustration has a reference number. The reference number for a part also appears in the parts list, along with other information about the part.

This catalog uses two special reference number formats, one to indicate parts in a service assembly and another to indicate the quantity of a given part in an illustration.

Service Assembly Reference Numbers

Parts in service assemblies have reference numbers in the form a:b. The a represents the reference number of the entire service assembly and the b represents a sequential number unique to each part within the service assembly.

For example, a wheel assembly might be identified by reference number 6, the tire by 6:1, the valve by 6:2, and the wheel by 6:3. When you order the assembly identified by reference number 6, you receive all parts identified by reference numbers 6:1, 6:2, and 6:3. However, you may also order any part individually. Reference numbers of this type appear in illustration and in parts lists.

Reference Numbers Indicating Quantity

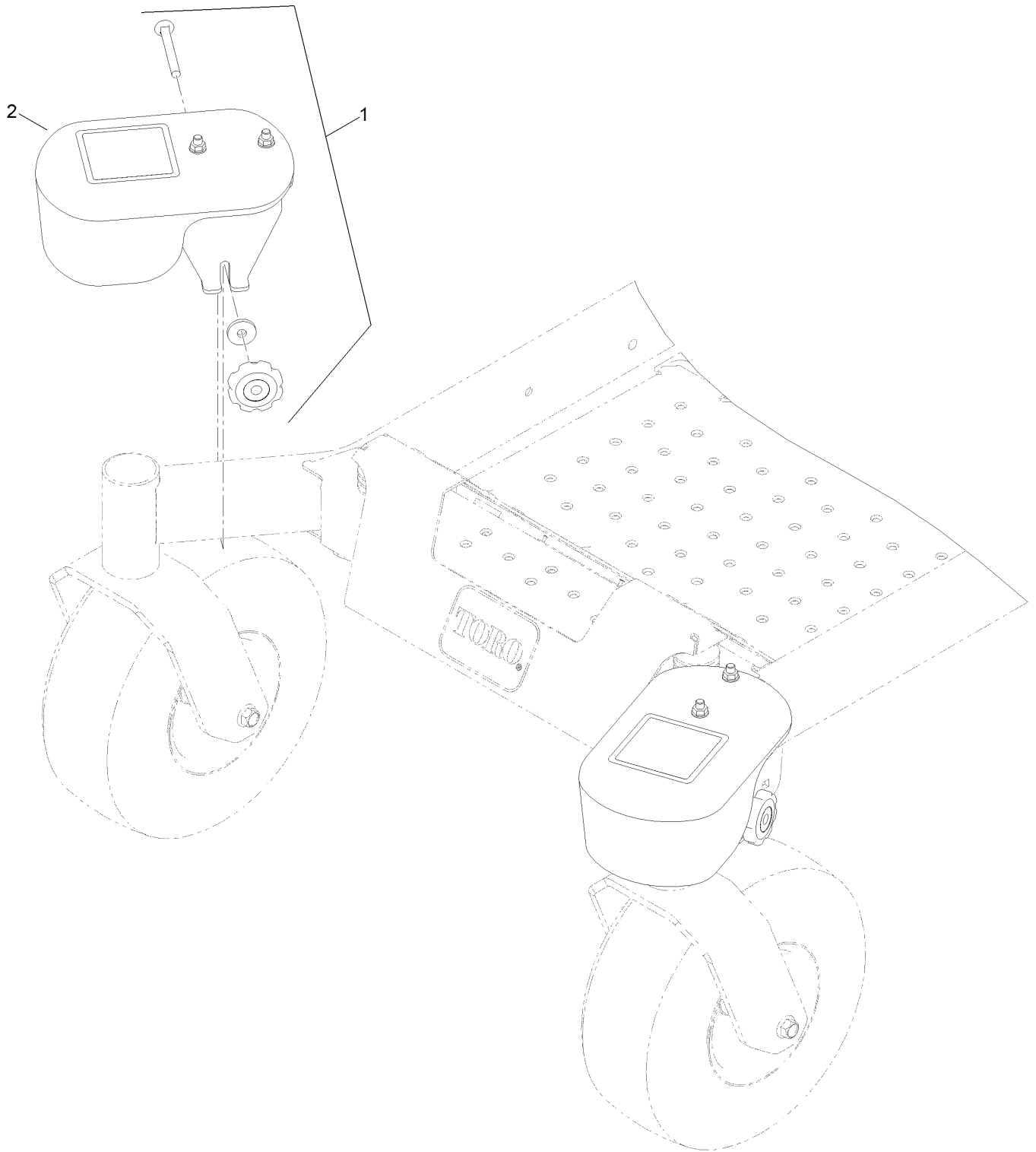
In an illustration, if a reference number indicates more than one part, the reference number has the form nX y. The n represents the quantity of the part, the X is the multiplication symbol, and the y represents the reference number.

For example, in an illustration, the reference number 2X 37 means that two of the parts identified by reference number 37 are indicated.

Contents

Caster Weight Assembly	4
Caster Weight Kit No. 126-8639	6
Bagger and Hood Assembly	8
Bag Assembly No. 116-0754	10
Bagger Hood Assembly No. 121-3215	12
Blower and Drive Assembly	14
Blower Assembly No. 140-5032	16

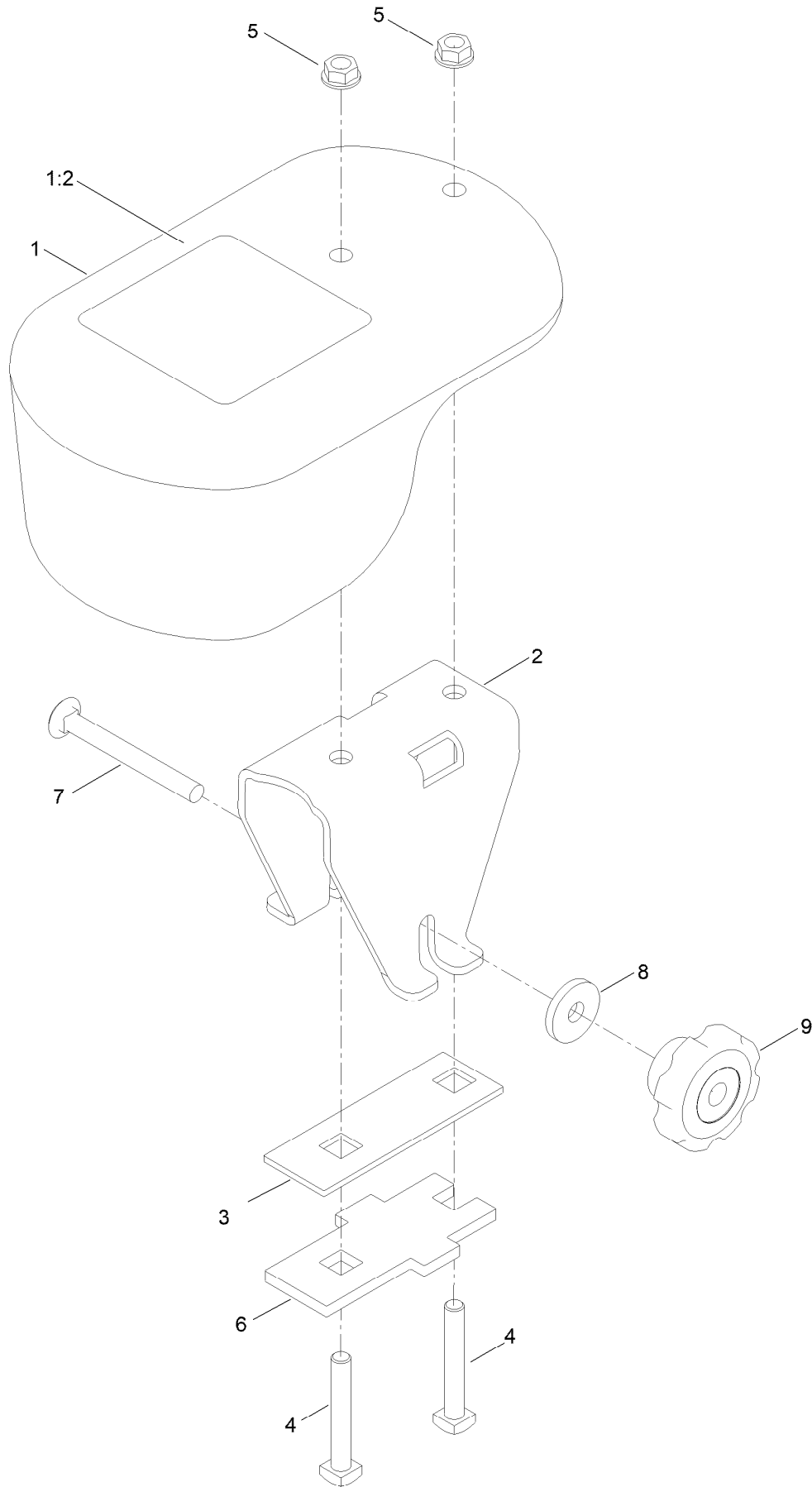
Caster Weight Assembly



Caster Weight Assembly (continued)

<i>Ref.</i>	<i>Part Number</i>	<i>Qty.</i>	<i>Description</i>
1	126-8639	1	Caster Weight Kit
2	126-7640	2	Caster Weight ASM

Caster Weight Kit No. 126-8639

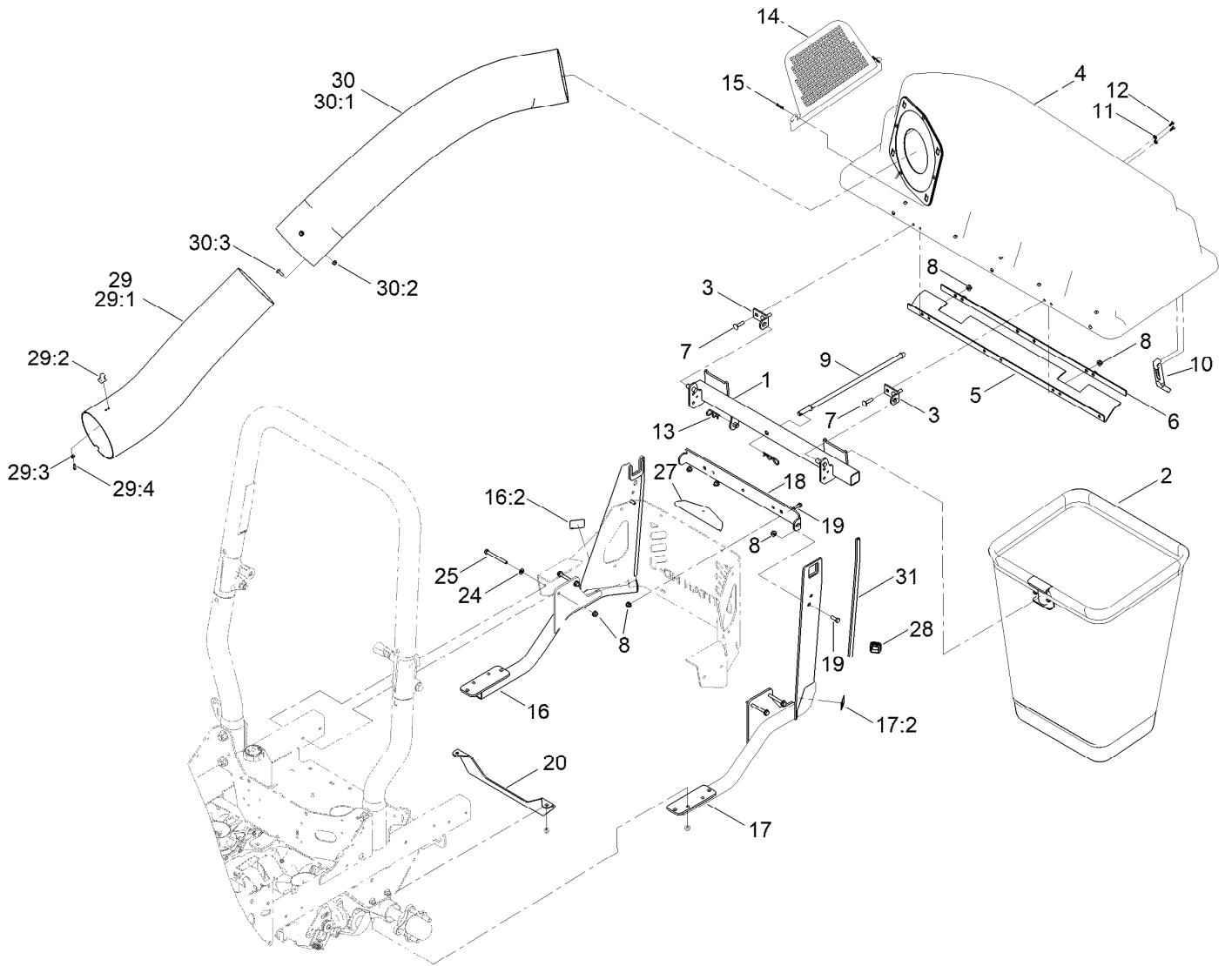


Caster Weight Kit No. 126-8639 (continued)

<i>Ref.</i>	<i>Part Number</i>	<i>Qty.</i>	<i>Description</i>
1	126-7639	1	Weight With Decal ASM
1:2	126-4662	1	Decal-Warning, Traction
2	126-5967-01	1	Channel-Mount, Weight
3	126-5966-01	1	Plate-Bracket, Weight
4	103-2500	2	Bolt-SQH

<i>Ref.</i>	<i>Part Number</i>	<i>Qty.</i>	<i>Description</i>
5	3290-357	2	Nut-HHF, Whiz
6	126-5961-01	1	Plate-Bracket, Weight
7	3231-11	1	Screw-CARR
8	130-5815	1	Washer-Backup
9	109-1092	1	Knob

Bagger and Hood Assembly

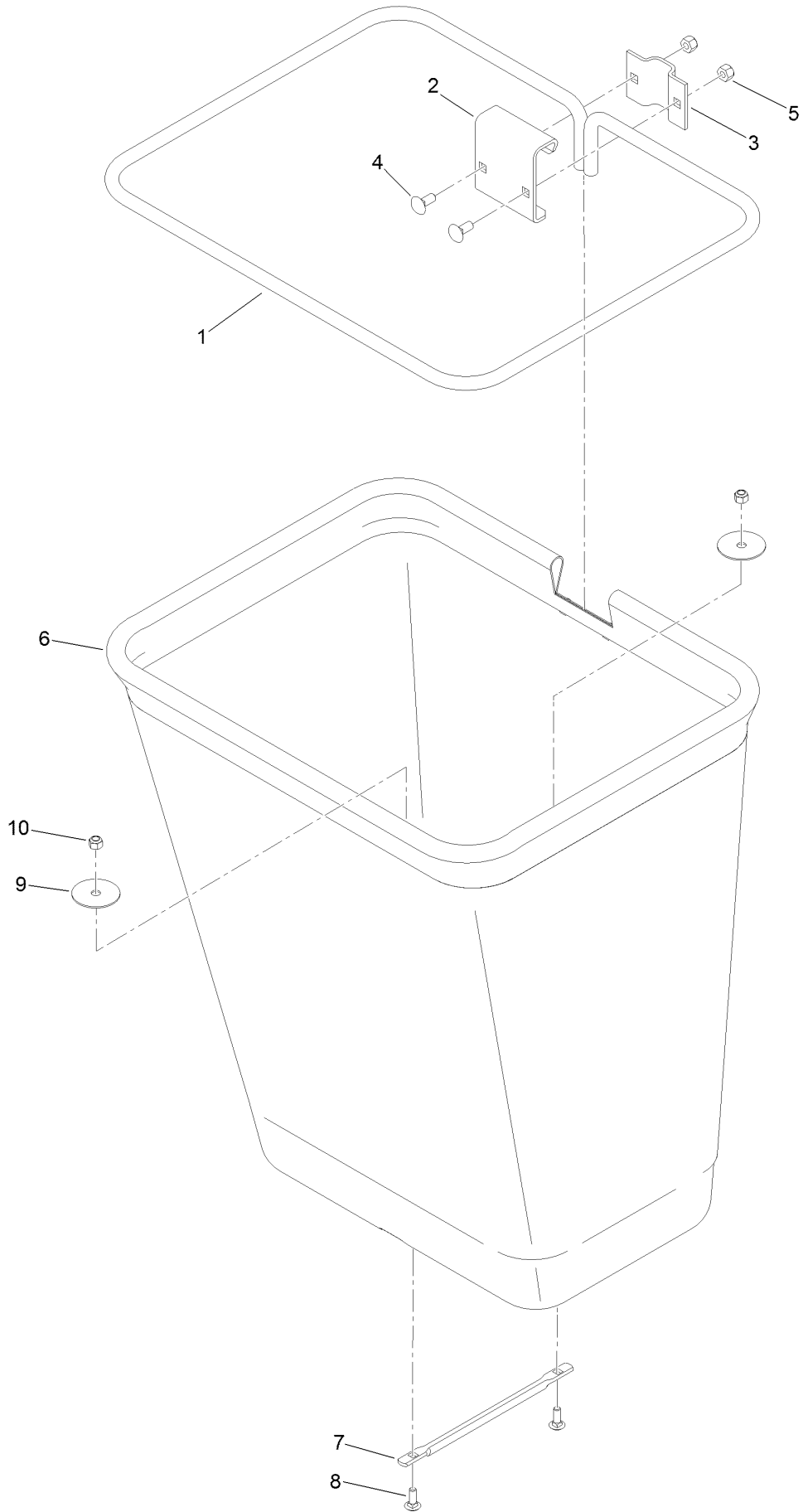


Bagger and Hood Assembly (continued)

<i>Ref.</i>	<i>Part Number</i>	<i>Qty.</i>	<i>Description</i>	<i>Ref.</i>	<i>Part Number</i>	<i>Qty.</i>	<i>Description</i>
1	116-4783-03	1	Frame Pivot ASM	17:2	106-5517	1	Decal-Warning
2	116-0754	2	Bag And Frame ASM	18	140-9504-03	1	Angle - Support, Bagger
3	112-3987	2	Bracket-Pivot, Hopper	19	322-4	4	Screw-HH
4	121-3215	1	Bagger Hood ASM	20	126-5672-03	1	Support-Transmission
5	116-4126	1	Seal	24	3256-23	4	Washer-Plain
6	116-4127-03	1	Plate-Backing	25	126-8742	4	Screw-HH
7	3230-3	4	Screw-CARR	27	126-8299	1	Cover-Hitch
8	104-8300	8	Nut-HF, NI	28	126-9159	2	Plug
9	116-6491	1	Rod-Hold Down, Hood	29	116-4128	1	Lower Tube ASM
10	116-4992	1	Latch-Rubber	29:1	116-4495	1	Tube-Lower
11	3256-77	2	Washer-Flat	29:2	103-4081	2	Latch-Keeper ●
12	107-7461	2	Screw-Plastite	29:3	3256-14	2	Washer-Flat
13	3290-355	2	Pin-Hair	29:4	3290-500	2	Screw-PPH
14	112-3993	1	Screen-Bagger	30	116-4825	1	Upper Tube ASM
15	3290-307	2	Pin-Cotter	30:1	116-4496	1	Tube-Upper
16	126-9662	1	RH Bagger Support ASM	30:2	104-7201	3	Nut-HF
16:2	106-5517	1	Decal-Warning	30:3	1-803076	3	Screw
17	126-9663	1	LH Bagger Support ASM	31	126-9923	2	Strip-Trim

● Kit No. 103-4188 - Contains catch, rubber latch, and mounting hardware

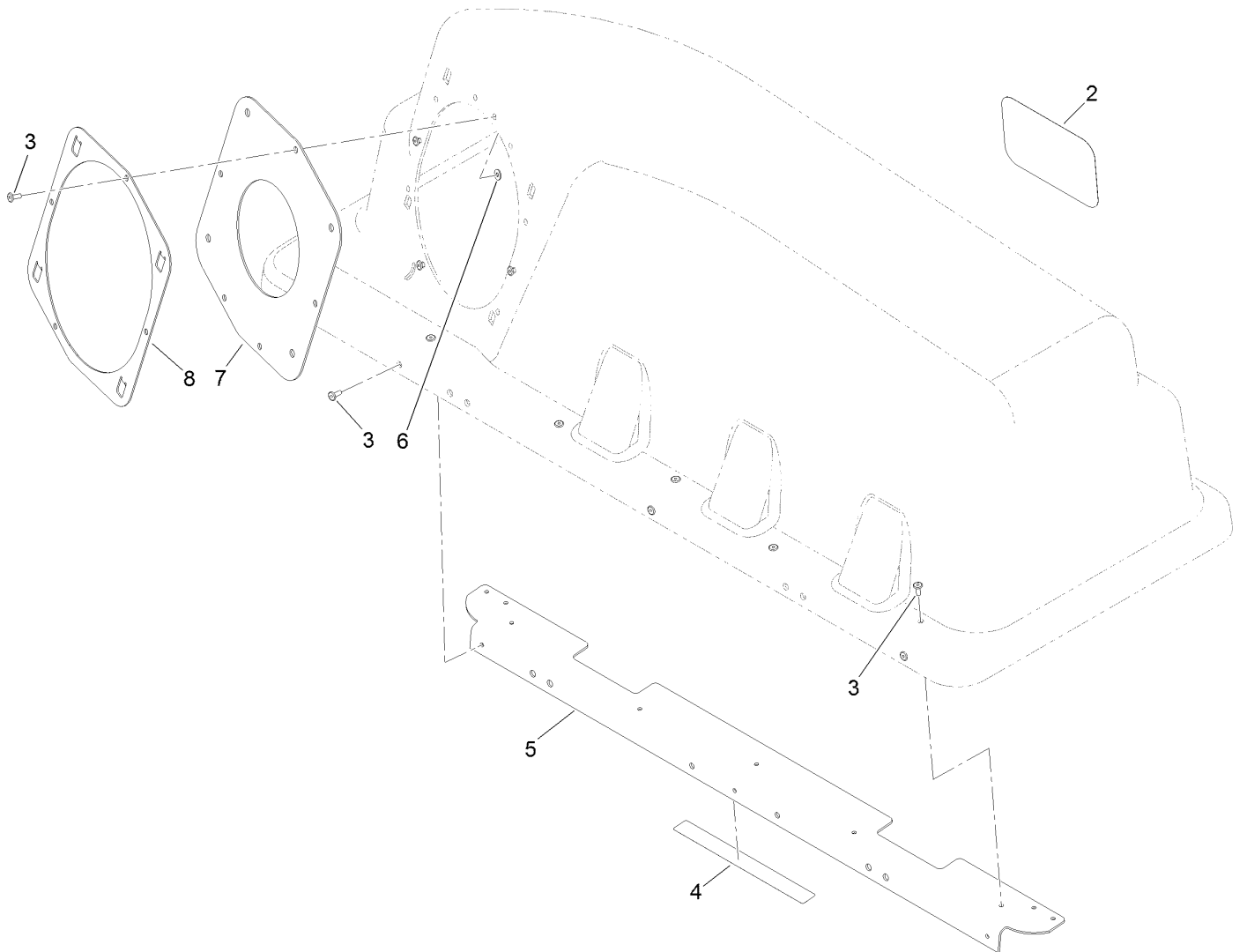
Bag Assembly No. 116-0754



Bag Assembly No. 116-0754 (continued)

<i>Ref.</i>	<i>Part Number</i>	<i>Qty.</i>	<i>Description</i>	<i>Ref.</i>	<i>Part Number</i>	<i>Qty.</i>	<i>Description</i>
1	1-653529-03	1	Frame-Bag	6	116-0757	1	Bag
2	114973-03	1	Hanger-Bag	7	1-653566	1	Handle-Bag
3	114974-03	1	Clamp	8	3229-1	2	Screw-CARR
4	3230-1	2	Bolt-CARR	9	1-653036	2	Washer
5	3296-29	2	Nut-Lock, NI	10	3296-42	2	Nut-Lock, NI

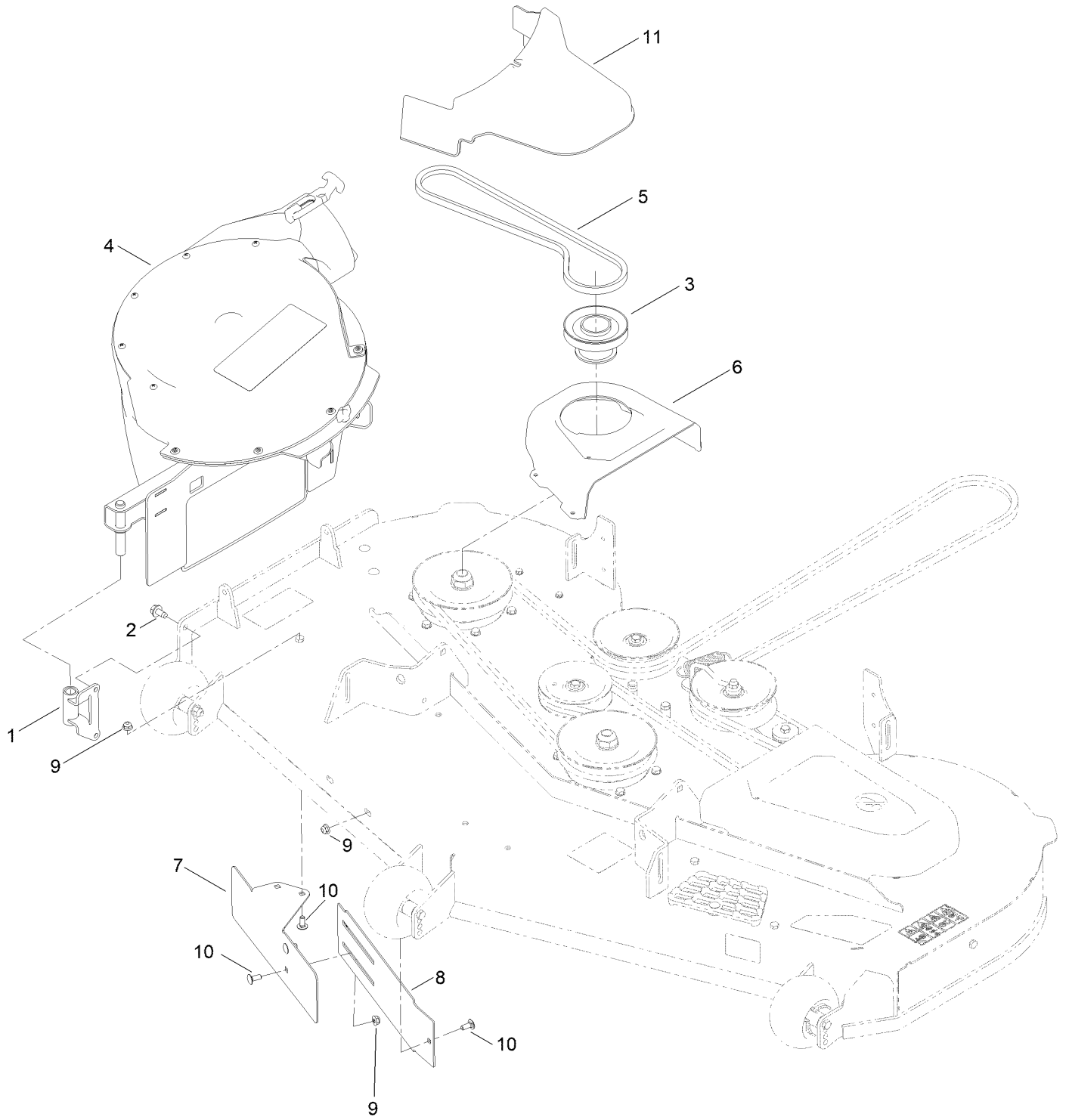
Bagger Hood Assembly No. 121-3215



Bagger Hood Assembly No. 121-3215 (continued)

<i>Ref.</i>	<i>Part Number</i>	<i>Qty.</i>	<i>Description</i>	<i>Ref.</i>	<i>Part Number</i>	<i>Qty.</i>	<i>Description</i>
2	99-4693	1	Decal	6	9202704	4	Washer-Flat
3	114439	12	Rivet-Blind	7	116-4478	1	Gasket
4	109-6809	1	Decal-Caution, Bagger	8	112-4000-03	1	Ring-Retainer
5	116-5071-03	1	Stiffener-Bagger, Top				

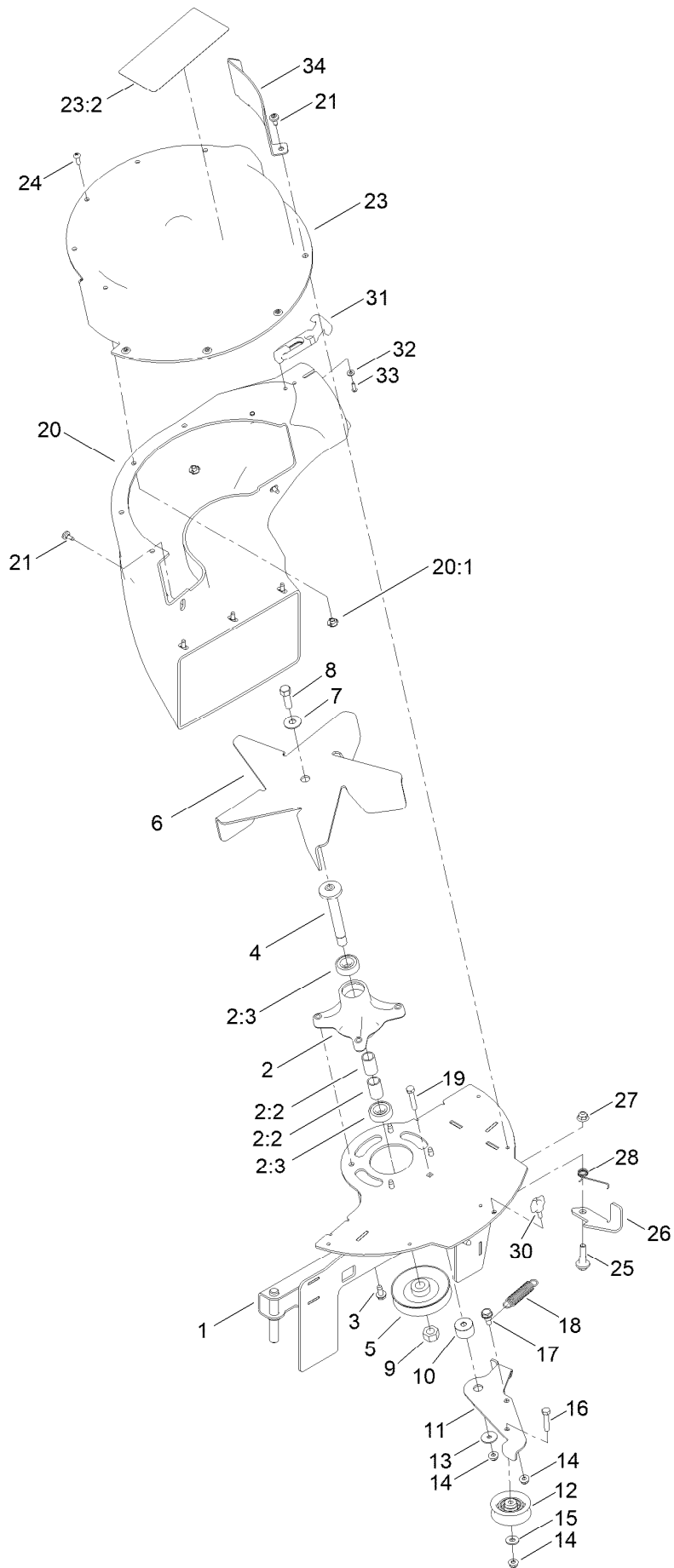
Blower and Drive Assembly



Blower and Drive Assembly (continued)

<i>Ref.</i>	<i>Part Number</i>	<i>Qty.</i>	<i>Description</i>	<i>Ref.</i>	<i>Part Number</i>	<i>Qty.</i>	<i>Description</i>
1	136-4152	1	Pivot-Blower	6	136-4151	1	Cover-Belt, RH
2	110-9380	2	Screw-HWH	7	133-7022-03	1	Baffle-Outer
3	125-0086	1	Pulley-Bagger	8	133-7021-03	1	Baffle-Inner
4	140-5032	1	Blower ASM - Powered Bagger	9	119-4041	4	Nut-HF
5	127-0076	1	Belt-V	10	137-3061	4	Bolt-CARR
				11	136-4172	1	Cover-Bagger, Powered

Blower Assembly No. 140-5032



Blower Assembly No. 140-5032 (continued)

<i>Ref.</i>	<i>Part Number</i>	<i>Qty.</i>	<i>Description</i>	<i>Ref.</i>	<i>Part Number</i>	<i>Qty.</i>	<i>Description</i>
1	133-9287-03	1	Frame-Blower	17	140-5020	1	Bolt Shoulder
2	121-0751	1	Spindle ASM	18	137-7040	1	Spring-Return, Pedal
2:2	120-7935	2	Spacer	19	139-1719	1	Screw-HH
2:3	136-5441	2	Bearing-Ball	20	137-5004	1	Blower Chute ASM
3	32144-70	4	Screw-HWHTF	20:1	136-7514	1	Chute-Blower
4	137-7009	1	Shaft-Spindle	21	120-7950	10	Screw-Torx
5	133-4492	1	Pulley-Blower	23	137-5003	1	Blower Cover ASM
6	133-4336	1	Fan-Blower	23:2	136-4164	1	Decal-Danger
7	3290-465	1	Washer-Belleville	24	3258-166	5	Screw-PRH
8	108-8823	1	Screw-HH	25	139-2560	1	Bolt-Shoulder
9	3219-16	1	Nut-Hex	26	133-7058	1	Latch-Blower
10	140-5015	1	Spacer-Idler Arm	27	119-4042	1	Nut-HF, NI
11	140-5019	1	Idler Arm, Blower	28	133-7048	1	Spring-Torsion
12	138-7597	1	Pulley-Idler, Flat	30	98-8332	1	Knob
13	5-4460	1	Washer-Pivot	31	103-4080	2	Latch-Rubber
14	119-4041	3	Nut-HF	32	137-3073	4	Washer-Plain
15	139-1723	1	Washer-Flat	33	3274-39	4	Screw-HSBH
16	120-2779	1	Screw-HH	34	136-9213-03	1	Guard-Blower

Notes:

Notes:



Count on it.