

# Parts Catalog

## 34in Bagger

### Zero-Turn-Radius Riding Mower

Model No. 79417—Serial No. 40000000 and Up



# Ordering Replacement Parts

To order replacement parts, please supply the part number, the quantity, and the description of each part desired.

## Understanding Reference Numbers

Each identified part in an illustration has a reference number. The reference number for a part also appears in the parts list, along with other information about the part.

This catalog uses two special reference number formats, one to indicate parts in a service assembly and another to indicate the quantity of a given part in an illustration.

## Service Assembly Reference Numbers

Parts in service assemblies have reference numbers in the form a:b. The a represents the reference number of the entire service assembly and the b represents a sequential number unique to each part within the service assembly.

For example, a wheel assembly might be identified by reference number 6, the tire by 6:1, the valve by 6:2, and the wheel by 6:3. When you order the assembly identified by reference number 6, you receive all parts identified by reference numbers 6:1, 6:2, and 6:3. However, you may also order any part individually. Reference numbers of this type appear in illustration and in parts lists.

## Reference Numbers Indicating Quantity

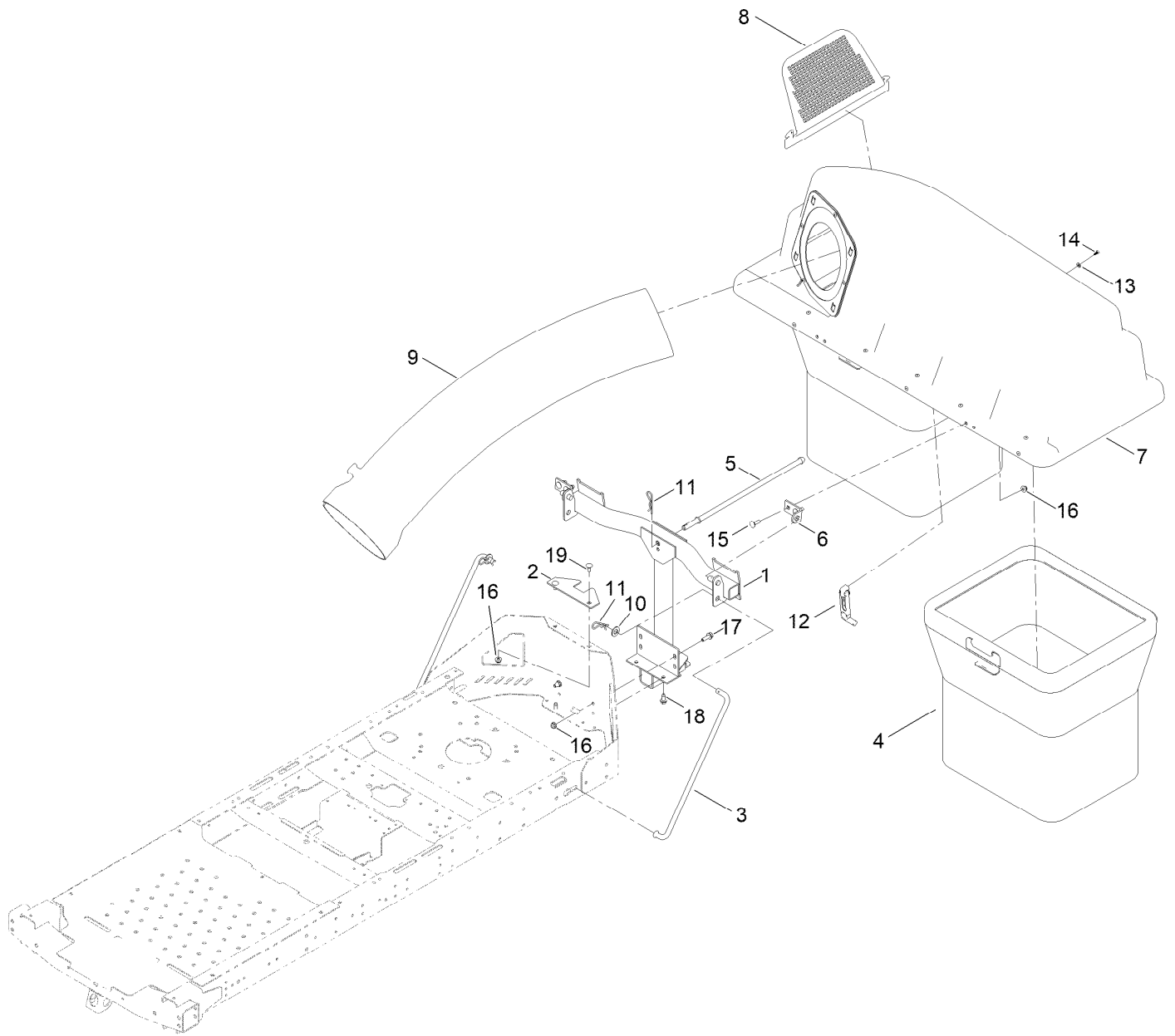
In an illustration, if a reference number indicates more than one part, the reference number has the form nX y. The n represents the quantity of the part, the X is the multiplication symbol, and the y represents the reference number.

For example, in an illustration, the reference number 2X 37 means that two of the parts identified by reference number 37 are indicated.

# Contents

|  |    |
|--|----|
| Twin Bag Assembly .....                | 4  |
| Bag Assembly No. 140-5026 .....        | 6  |
| Bagger Top Assembly No. 140-5096 ..... | 8  |
| Weight Assembly .....                  | 10 |
| Bagger Boot Assembly .....             | 12 |

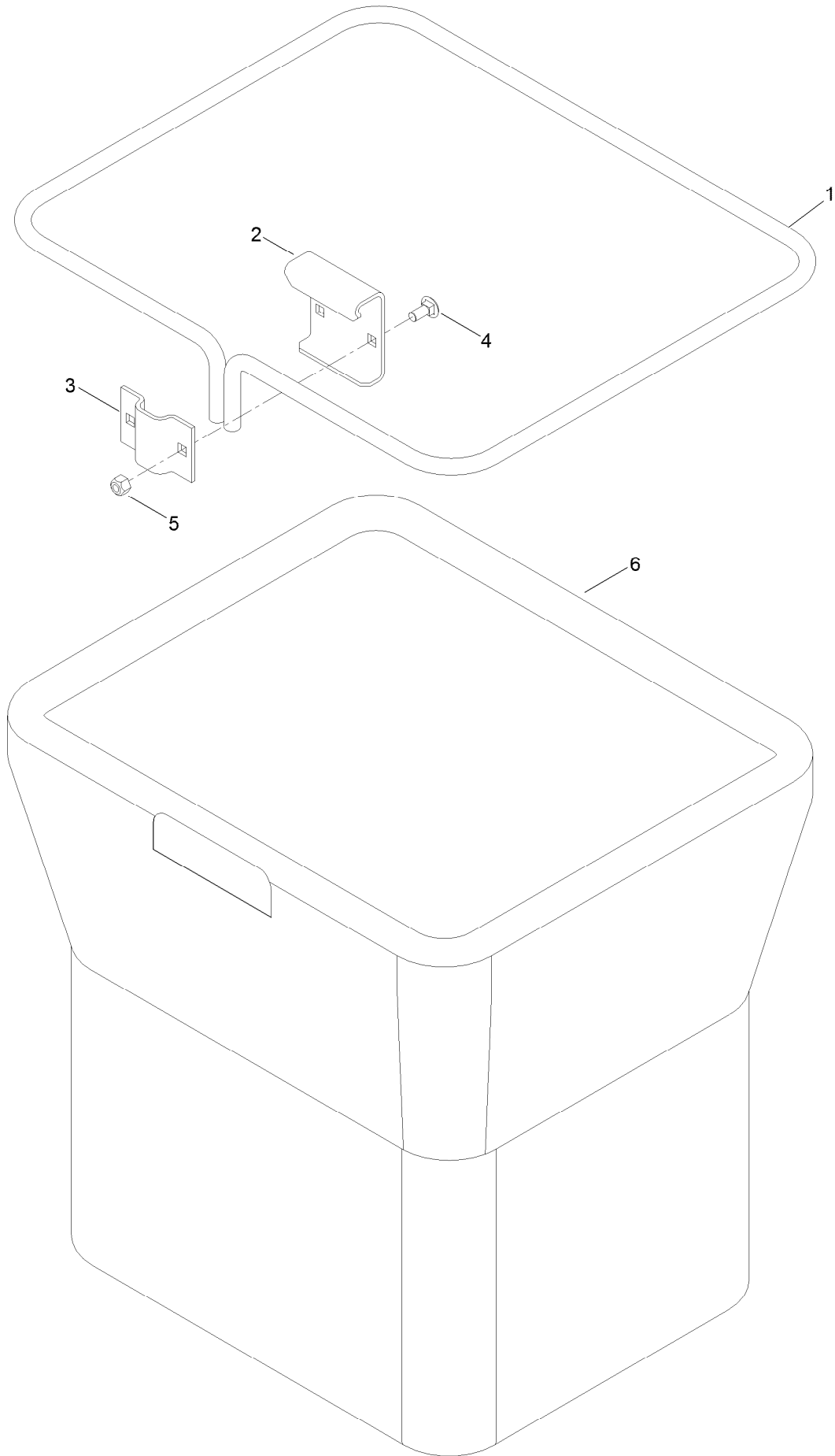
# Twin Bag Assembly



## Twin Bag Assembly (continued)

| <i>Ref.</i> | <i>Part Number</i> | <i>Qty.</i> | <i>Description</i>       | <i>Ref.</i> | <i>Part Number</i> | <i>Qty.</i> | <i>Description</i> |
|-------------|--------------------|-------------|--------------------------|-------------|--------------------|-------------|--------------------|
| 1           | 144-1829-03        | 1           | Frame ASM, Pivot [black] | 11          | 139-2562           | 3           | Pin-Hair           |
| 2           | 131-3967-03        | 1           | Bracket-Stabilizer       | 12          | 116-4992           | 1           | Latch-Rubber       |
| 3           | 140-5093           | 2           | Rod-Support, Cz          | 13          | 137-3073           | 2           | Washer-Plain       |
| 4           | 140-5026           | 2           | Bag ASM                  | 14          | 132-6919           | 2           | Screw-Plastic, PTH |
| 5           | 131-4189           | 1           | Rod-Hood, Down           | 15          | 110-3144           | 4           | Bolt-CARR          |
| 6           | 140-5016           | 2           | Bracket-Hopper Pivot     | 16          | 119-4041           | 8           | Nut-HF             |
| 7           | 140-5096           | 1           | Top ASM-Bagger           | 17          | 139-2596           | 2           | Screw-HHF          |
| 8           | 112-3993           | 1           | Screen-Bagger            | 18          | 32144-70           | 2           | Screw-HWHTF        |
| 9           | 112-3995           | 1           | Tube-Bagger              | 19          | 139-2630           | 2           | Bolt-CARR          |
| 10          | 139-2611           | 2           | Washer-Flat              |             |                    |             |                    |

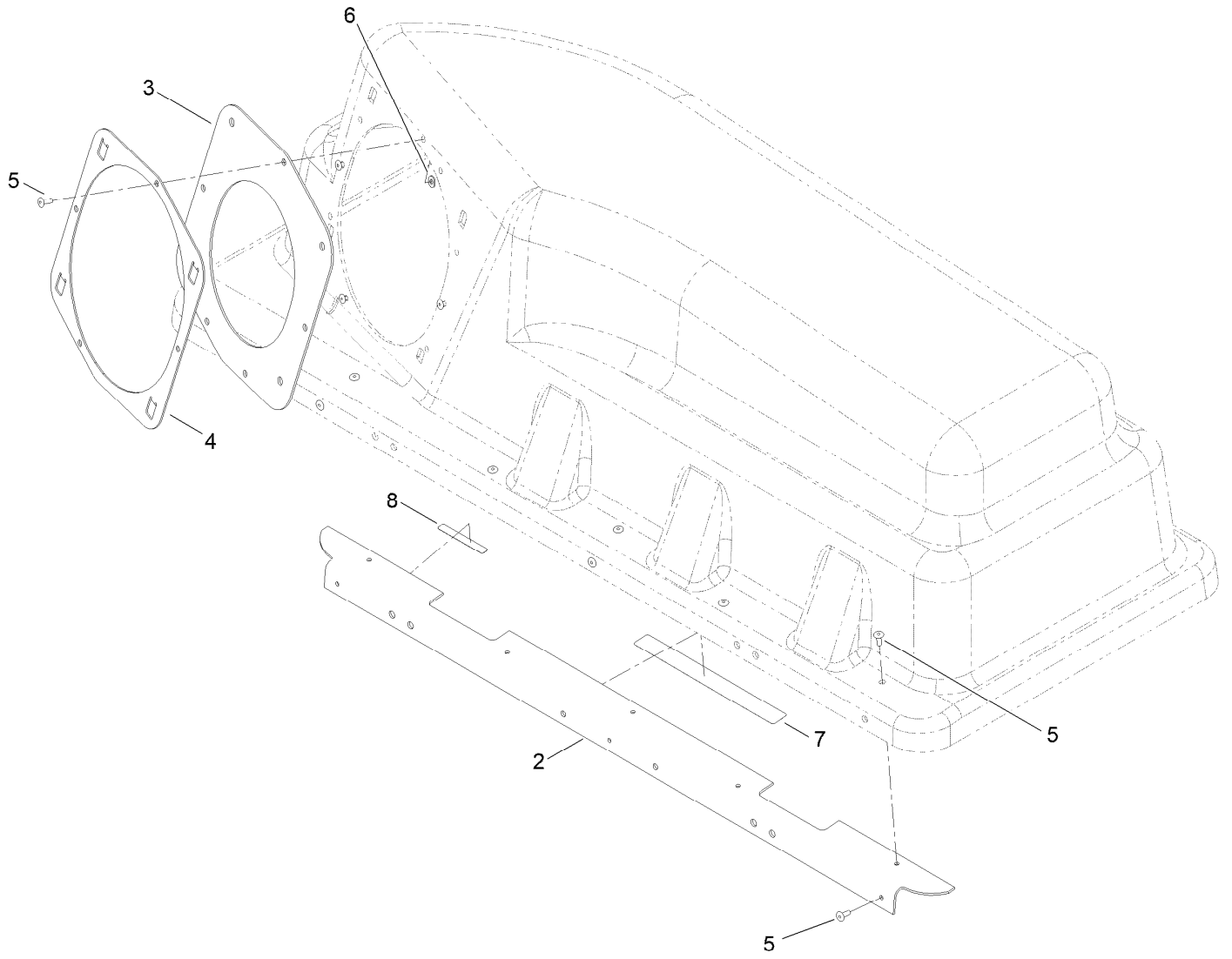
# Bag Assembly No. 140-5026



## Bag Assembly No. 140-5026 (continued)

| <i>Ref.</i> | <i>Part Number</i> | <i>Qty.</i> | <i>Description</i> | <i>Ref.</i> | <i>Part Number</i> | <i>Qty.</i> | <i>Description</i> |
|-------------|--------------------|-------------|--------------------|-------------|--------------------|-------------|--------------------|
| 1           | 114972-03          | 1           | Frame-Bag          | 4           | 139-2630           | 2           | Bolt-CARR          |
| 2           | 114973-03          | 1           | Hanger-Bag         | 5           | 119-4038           | 2           | Nut-Hex            |
| 3           | 114974-03          | 1           | Clamp              | 6           | 110-6674           | 1           | Bag                |

# Bagger Top Assembly No. 140-5096

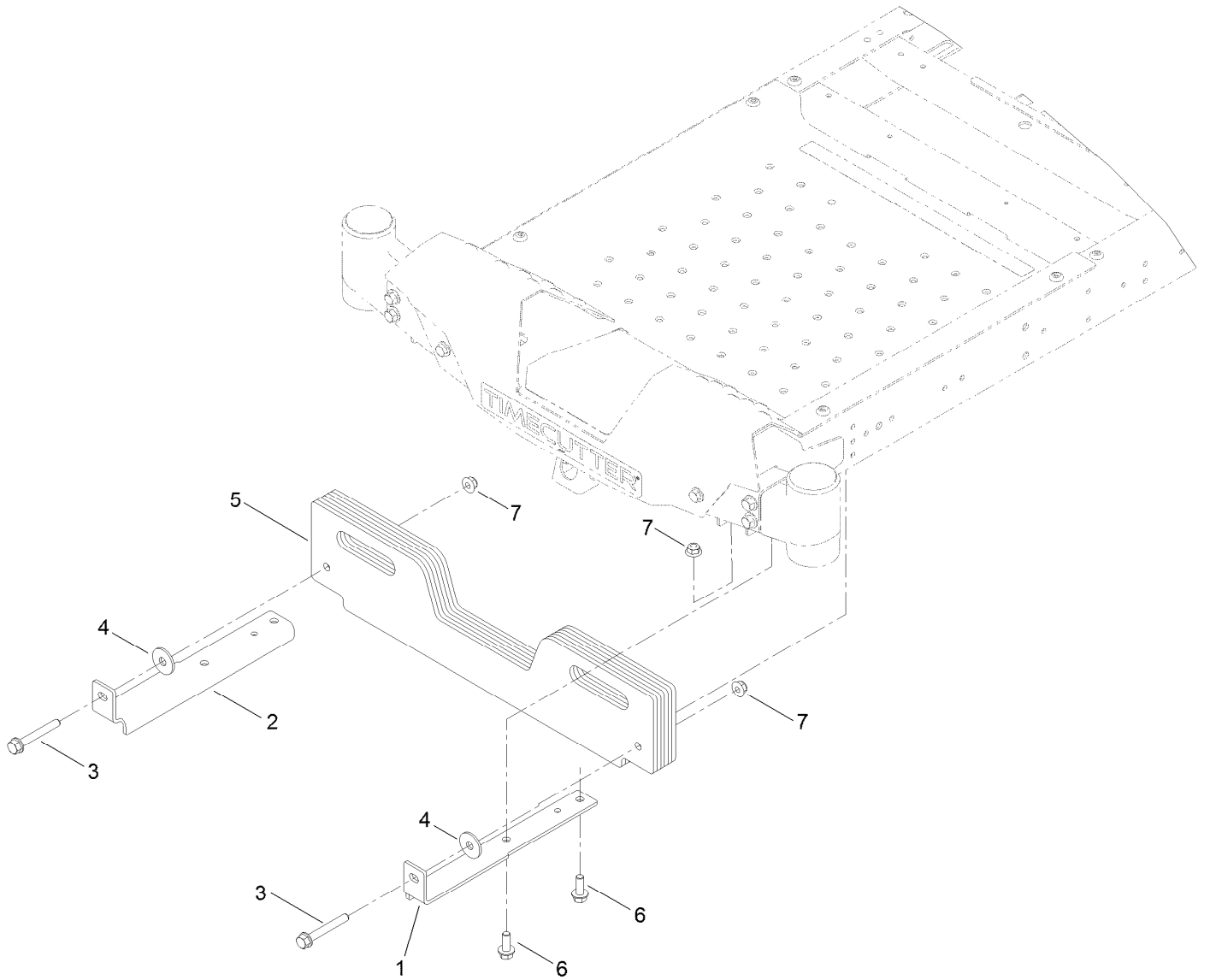




## Bagger Top Assembly No. 140-5096 (continued)

| <i>Ref.</i> | <i>Part Number</i> | <i>Qty.</i> | <i>Description</i>   | <i>Ref.</i> | <i>Part Number</i> | <i>Qty.</i> | <i>Description</i>    |
|-------------|--------------------|-------------|----------------------|-------------|--------------------|-------------|-----------------------|
| 2           | 116-1242-03        | 1           | Stiffener-Bagger Top | 6           | 137-3073           | 4           | Washer-Plain          |
| 3           | 112-4001           | 1           | Gasket               | 7           | 109-6809           | 1           | Decal-Caution, Bagger |
| 4           | 112-4000-03        | 1           | Ring-Retainer        | 8           | 133-8061           | 1           | Decal-Warning         |
| 5           | 114439             | 12          | Rivet-Blind          |             |                    |             |                       |

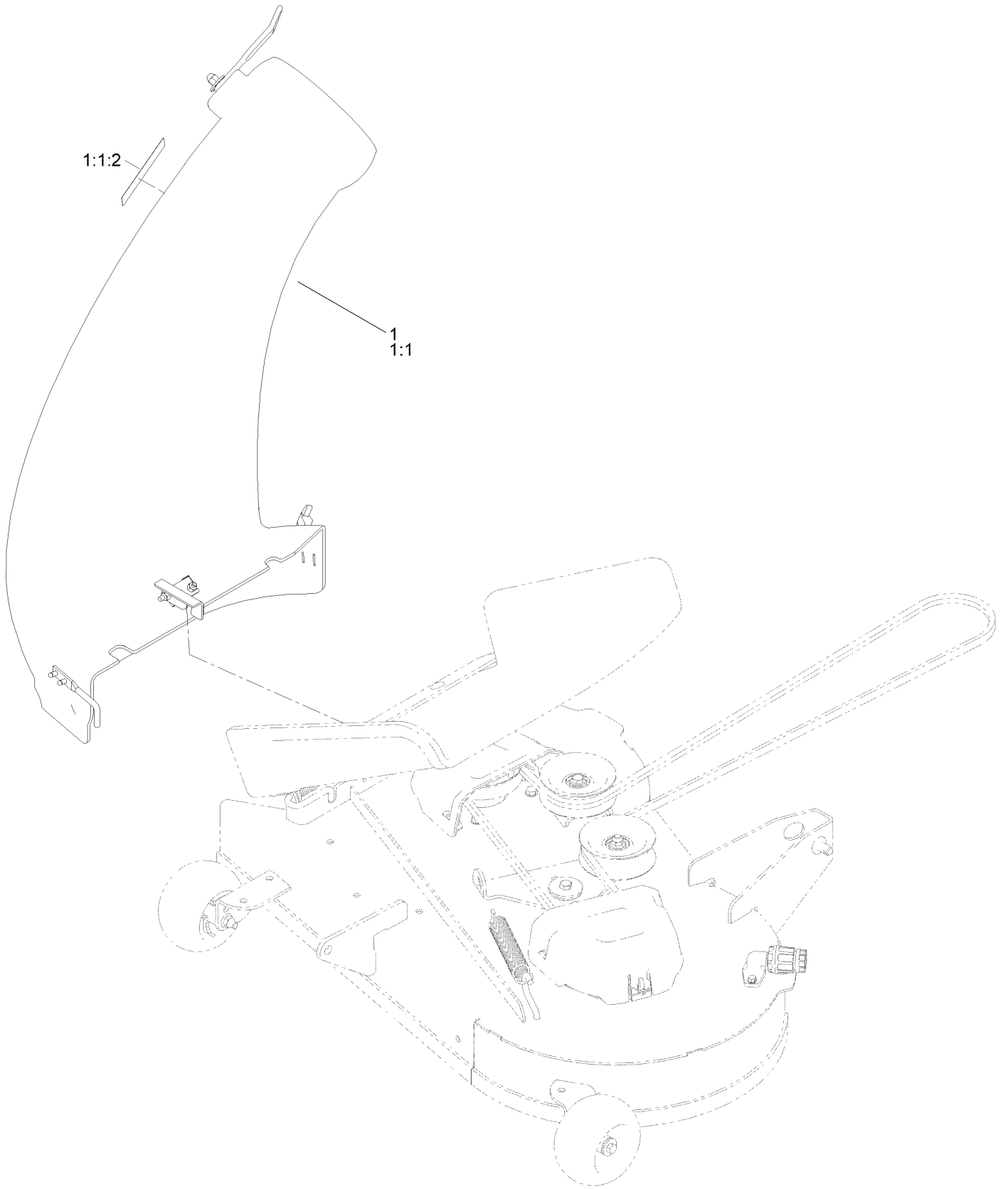
# Weight Assembly



## Weight Assembly (continued)

| <i>Ref.</i> | <i>Part Number</i> | <i>Qty.</i> | <i>Description</i> | <i>Ref.</i> | <i>Part Number</i> | <i>Qty.</i> | <i>Description</i> |
|-------------|--------------------|-------------|--------------------|-------------|--------------------|-------------|--------------------|
| 1           | 139-5817-03        | 1           | Bracket-Weight, LH | 5           | 139-7482-03        | 8           | Weight-Bagger      |
| 2           | 139-5815-03        | 1           | Bracket-Weight, RH | 6           | 139-2597           | 4           | Screw-HHF          |
| 3           | 140-5097           | 2           | Screw-Spcl         | 7           | 119-4042           | 6           | Nut-HF, NI         |
| 4           | 87-5330            | 2           | Washer             |             |                    |             |                    |

# Bagger Boot Assembly



## Bagger Boot Assembly (continued)

| <i>Ref.</i> | <i>Part Number</i> | <i>Qty.</i> | <i>Description</i>         |
|-------------|--------------------|-------------|----------------------------|
| 1           | 140-5167           | 1           | 34 In Bagger Boot Assembly |
| 1:1         |                    | 1           | 34 In Bagger Boot ASM ●    |
| 1:1:2       | 110-6691           | 1           | Decal-Danger               |

● Not serviced separately

**Notes:**

**Notes:**

