

**EN** 34in Bagger — Zero-Turn-Radius  
Riding Mower

79417

**DE** 86 cm Grasfangkorb  
Aufsitzrasenmäher mit  
Nullwendekreis

79417

**FR** Système de ramassage de 86 cm  
Tondeuse autoportée à rayon de  
braquage zéro

79417

**NL** Bagger van 86 cm Zero-turn zitmaaier

79417



\* 3 4 4 2 - 6 4 2 \*



# 34in Bagger

## Zero-Turn-Radius Riding Mower

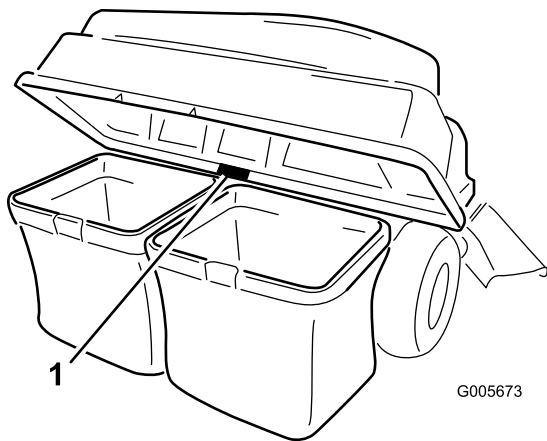
Model No. 79417—Serial No. 40000000 and Up

### Operator's Manual

## Introduction

Read this information carefully to learn how to operate and maintain your product properly and to avoid injury and product damage. You are responsible for operating the product properly and safely.

Whenever you need service, genuine parts, or additional information, contact an Authorized Service Dealer or Customer Service and have the model and serial numbers of your product ready. [Figure 1](#) identifies the location of the model and serial numbers on the product. Write the numbers in the space provided.



**Figure 1**

1. Model and serial number location

<p><b>Model No.</b> _____</p> <p><b>Serial No.</b> _____</p>
--

This manual identifies potential hazards and has safety messages identified by the safety-alert symbol ([Figure 2](#)), which signals a hazard that may cause serious injury or death if you do not follow the recommended precautions.



**Figure 2**  
Safety-alert symbol

g000502

This manual uses 2 words to highlight information. **Important** calls attention to special mechanical information and **Note** emphasizes general information worthy of special attention.



**⚠ WARNING**

**CALIFORNIA  
Proposition 65 Warning**

**Use of this product may cause exposure to chemicals known to the State of California to cause cancer, birth defects, or other reproductive harm.**

# Safety

- Become familiar with the safe operation of the equipment, with the operator controls, and safety signs.
- Use extra care with grass catchers or other attachments. These can change the operating characteristics and the stability of the machine.
- Follow the manufacturer's recommendations for adding or removing wheel weights or counterweights to improve stability.
- Do not use a grass catcher on steep slopes. A heavy grass catcher could cause loss of control or overturn the machine.
- Slow down and use extra care on hillsides. Be sure to travel in the recommended direction on hillsides. Turf conditions can affect the stability of the machine. Use extreme caution while operating near drop-offs.
- Keep all movement on slopes slow and gradual. Do not make sudden changes in speed, direction, or turning.
- The grass catcher can obstruct the view to the rear. Use extra care when operating in reverse.
- Use care when loading or unloading the machine into a trailer or truck.
- Never operate with the discharge deflector raised, removed or altered, unless using a grass catcher.
- Keep hands and feet away from moving parts. Do not make adjustments with the engine running.
- Park the machine on level ground, disengage the drives, and shut off the engine before leaving the operator's position for any reason including emptying the grass catcher or unclogging the chute.
- If you remove the grass catcher, be sure to install any discharge deflector or guard that might have been removed to install the grass catcher. Do not operate the mower without either the entire grass catcher or the grass deflector in place.
- Do not leave grass in the grass catcher for extended periods of time.
- Grass catcher components are subject to wear, damage and deterioration, which could expose you to moving parts or allow objects to be thrown. Frequently check components and replace with the manufacturer's recommended parts, when necessary.

# Contents

Introduction .....	1
Safety .....	2
Towing Safety .....	3
Safety and Instructional Decals .....	4
Setup .....	5
1 Preparing the Machine .....	6
2 Installing the Weights .....	6
3 Installing the Attachment Mount .....	7
4 Installing the Latch Rod .....	8
5 Assembling the Bagger Top .....	9
6 Installing the Bagger Top .....	9
7 Installing the Chute .....	11
8 Connecting with the Discharge Tube .....	12
Operation .....	13
Emptying the Grass Bags .....	13
Clearing Obstructions from the Bagger .....	14
Removing the Bagger .....	14
Using the Draw Bar .....	15
Operating Tips .....	15
Maintenance .....	17
Recommended Maintenance Schedule(s) .....	17
Inspecting the Bagger Attachment .....	17
Inspecting the Mower Blades .....	18
Cleaning the Bagger Attachment .....	18
Storage .....	18
Storing the Bagger Attachment .....	18

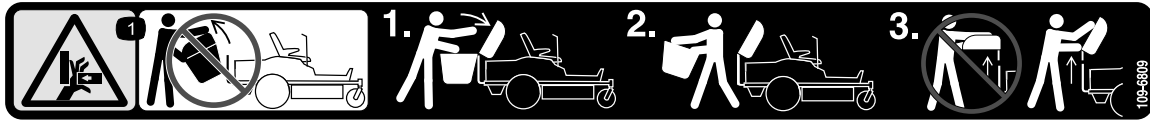
# Towing Safety

- Do not attach towed equipment except at the hitch point.
- Follow the attachment manufacturer's recommendation for weight limits for towed equipment and towing on slopes.
- Never allow children or others in or on towed equipment.
- On slopes, the weight of the towed equipment may cause loss of traction and loss of control. Reduce towed weight and slow down.
- Stopping distance increases with the weight of the towed load. Travel slowly and allow extra distance to stop.
- Make wide turns to keep the attachment clear of the machine.
- Do not tow a load that weighs more than the towing machine.

# Safety and Instructional Decals



Safety decals and instructions are easily visible to the operator and are located near any area of potential danger. Replace any decal that is damaged or missing.



109-6809

decal109-6809

1. Crushing hazard of hand—do not remove the whole bagger from the machine; open the bagger top and then remove the bag(s) from the bagger. Do not remove the bagger top when it is closed; open the bagger top and then remove it.



110-6691

decal110-6691

1. Thrown object hazard—keep bystanders away.
2. Thrown object hazard, mower—do not operate without the deflector, discharge cover, or grass collection system in place.
3. Cutting/dismemberment hazard of hand or foot—stay away from moving parts.

**WARNING:** Cancer and Reproductive Harm - [www.P65Warnings.ca.gov](http://www.P65Warnings.ca.gov).  
For more information, please visit [www.ttcoCAProp65.com](http://www.ttcoCAProp65.com)

133-8061

133-8061

decal133-8061

# Setup

## Loose Parts

Use the chart below to verify that all parts have been shipped.

Procedure	Description	Qty.	Use
<b>1</b>	No parts required	–	Prepare the machine.
<b>2</b>	Bolt (3/8 x 1 inch) Locknut (3/8 inch) Left weight-mounting bracket Right weight-mounting bracket Washer Bolt (5/8 x 2-3/4 inches) Suitcase weight	4 6 1 1 2 2 8	Install the weights.
<b>3</b>	Stabilizer bracket Carriage bolt (5/16 x 3/4 inch) Locknut (5/16 inch) Self-tapping screw (5/16 x 3/4 inch) Bolt (5/16 x 1 inch) Pivot frame Hairpin cotter Rod Washer	1 2 4 2 2 1 2 2 2	Install the attachment mount.
<b>4</b>	Latch rod Hairpin cotter	1 1	Install the latch rod.
<b>5</b>	Bagger top Bagger screen	1 1	Assemble the bagger top.
<b>6</b>	Grass Bag Upper bagger tube Pivot bracket Bolt (5/16 x 1 inch) Nut (5/16 inch)	2 1 2 4 4	Install the bagger top.
<b>7</b>	Chute	1	Install the chute.
<b>8</b>	No parts required	–	Connect with the discharge tube.

# 1

## Preparing the Machine

No Parts Required

### Procedure

1. Park the machine on a level surface.
2. Disengage the blade-control switch.
3. Move the motion-control levers outward to the NEUTRAL-LOCK position to engage the parking brake.
4. Shut off the engine and remove the key.

# 2

## Installing the Weights

Parts needed for this procedure:

4	Bolt (3/8 x 1 inch)
6	Locknut (3/8 inch)
1	Left weight-mounting bracket
1	Right weight-mounting bracket
2	Washer
2	Bolt (5/8 x 2-3/4 inches)
8	Suitcase weight

### Procedure

#### ⚠ CAUTION

The bagger changes the weight distribution of the machine. Operating the machine without the front weights may cause an unstable condition, which could result in a loss of control.

Ensure the front weights are properly installed before operating the machine with the bagger attachment.

1. Install the weight-mounting brackets to the under side of the frame using 2 bolts (3/8 x 1 inch), and 2 locknuts (3/8 inch) as shown in [Figure 3](#).

2. Install the suitcase weights to the weight mounting brackets using 2 bolts (5/8 x 2-3/4 inches), 2 washers, and 2 locknuts (3/8 inch) as shown in [Figure 4](#).
3. Once you have installed all the weights and brackets, ensure that all the fasteners are tight. Tighten as necessary.

**Important:** Whenever you remove the bagger attachment, remember to remove the front weights to return the proper stability to the machine.

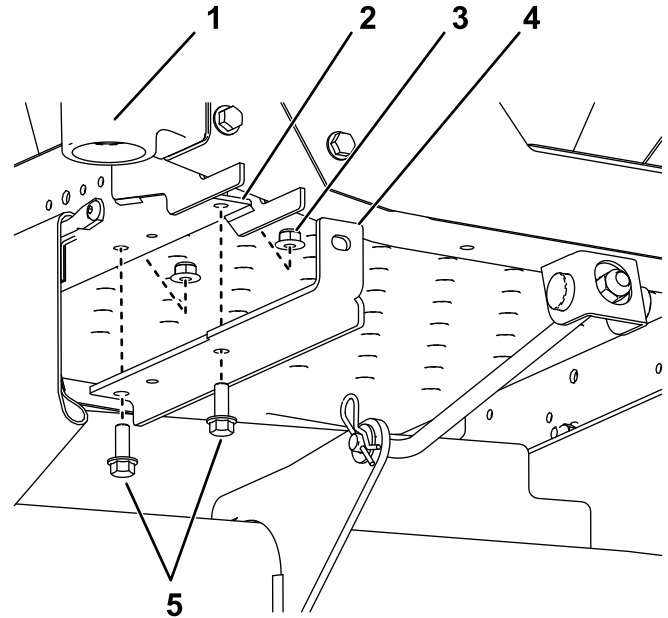
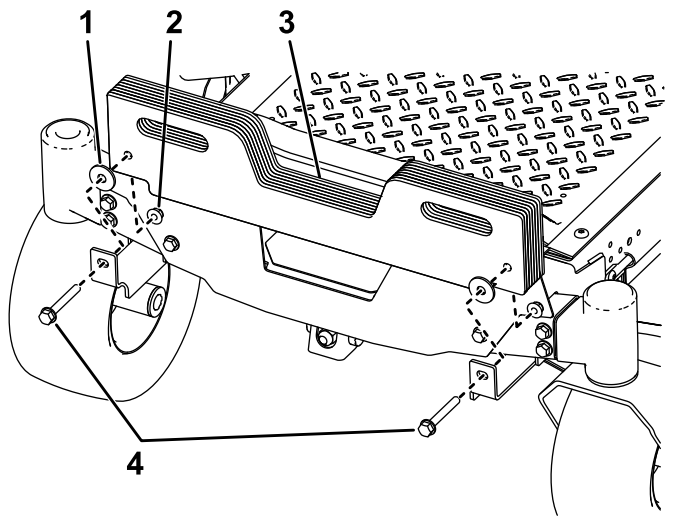


Figure 3

Castor fork and wheel not shown for clarity.

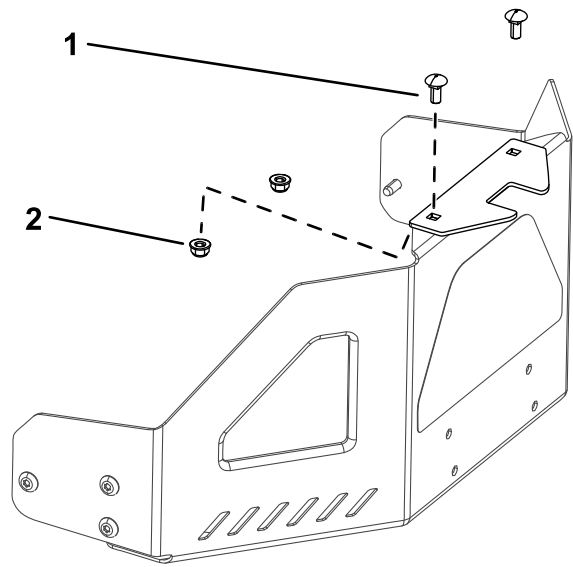
1. Front right caster
2. Forward hole (right side shown)
3. Locknut (3/8 inch)
4. Right mounting bracket
5. Bolts (3/8 x 1 inch)





**Figure 4**

- 1. Spacer
- 2. Locknut (3/8 inch)
- 3. Suitcase weights
- 4. Bolts (5/8 x 2-3/4 inches)



**Figure 5**

- 1. Carriage bolt (5/16 x 3/4 inch)
- 2. Locknut (5/16 inch)

# 3

## Installing the Attachment Mount

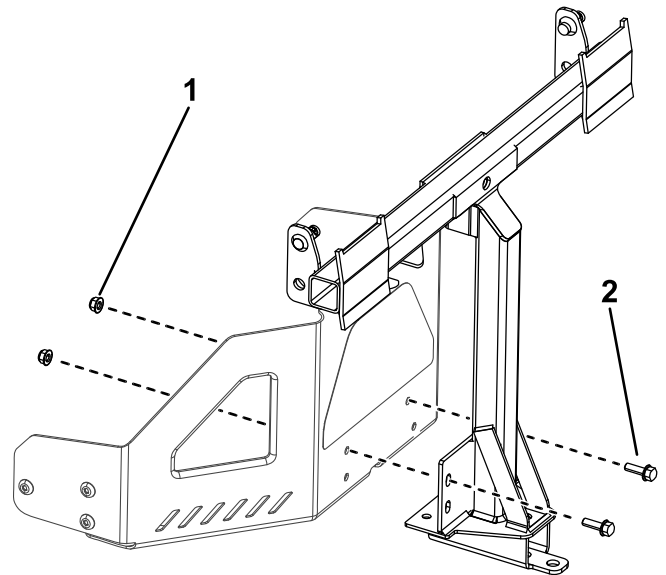
Parts needed for this procedure:

1	Stabilizer bracket
2	Carriage bolt (5/16 x 3/4 inch)
4	Locknut (5/16 inch)
2	Self-tapping screw (5/16 x 3/4 inch)
2	Bolt (5/16 x 1 inch)
1	Pivot frame
2	Hairpin cotter
2	Rod
2	Washer

## Installing the Stabilizer Bracket and Pivot Frame

1. Install the stabilizer bracket to the engine guard using 2 carriage bolts (5/16 x 3/4 inch) and 2 locknuts (5/16 inch) (Figure 5).

2. Install the pivot frame to the machine frame as shown in Figure 6. Secure the pivot frame to the machine frame using 2 bolts (5/16 x 1 inch) and 2 locknuts (5/16 inch).



**Figure 6**

- 1. Locknut (5/16 inch)
- 2. Bolt (5/16 x 1 inch)

3. Secure the pivot frame to the bottom of the machine frame using 2 self-tapping screws (5/16 x 3/4 inch) as shown in Figure 7.

# 4

## Installing the Latch Rod

Parts needed for this procedure:

1	Latch rod
1	Hairpin cotter

### Procedure

Install the latch rod with a hairpin cotter (Figure 9).

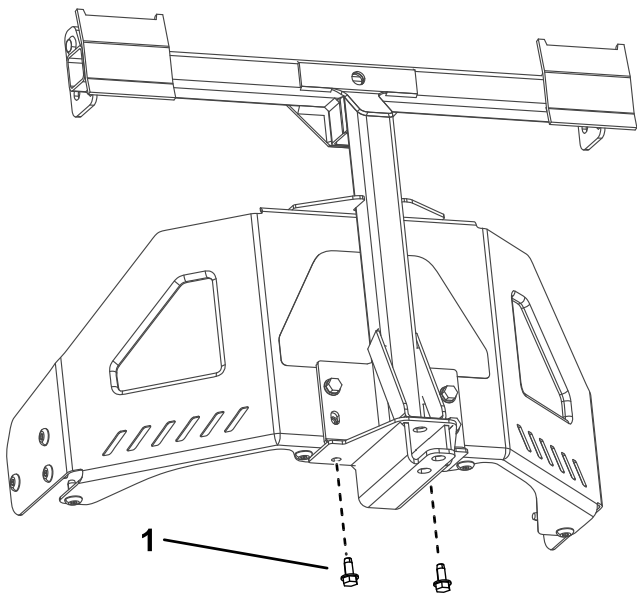


Figure 7

g300206

1. Self-tapping screw (5/16 x 3/4 inch)

4. Install the bent, flared end of a rod into the keyed slot in the left side of the machine frame, and move the rod rearward to seat it in the frame (Figure 8).

**Note:** Repeat this step for the right side of the machine.

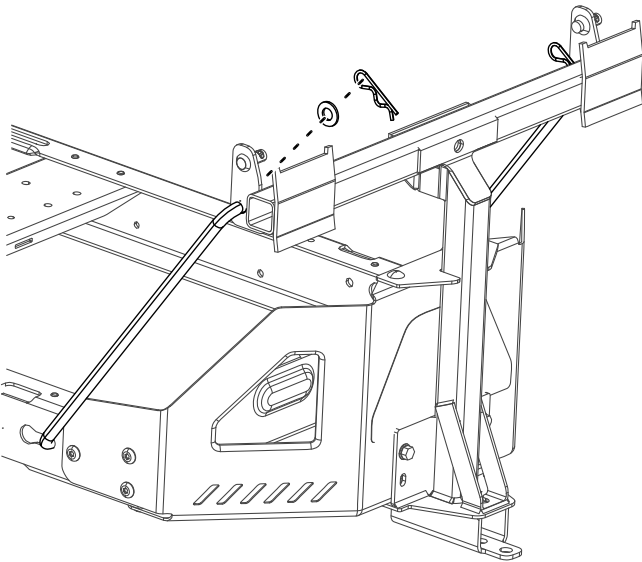


Figure 8

g300207

5. Insert the bent ends of the rods into the attachment mount as shown in Figure 8 and secure the end of each rod with a washer and hairpin cotter.

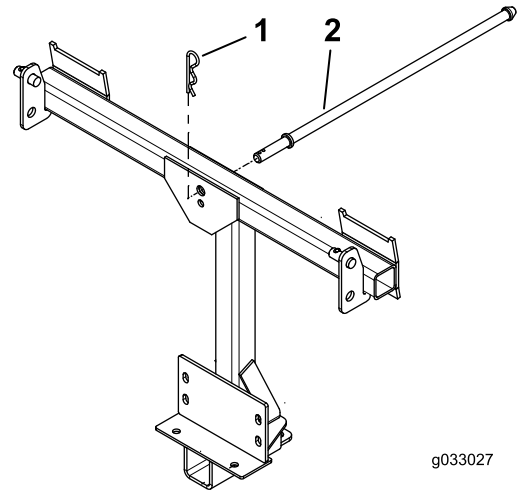


Figure 9

g033027

g033027

1. Hairpin cotter
2. Latch rod

# 5

## Assembling the Bagger Top

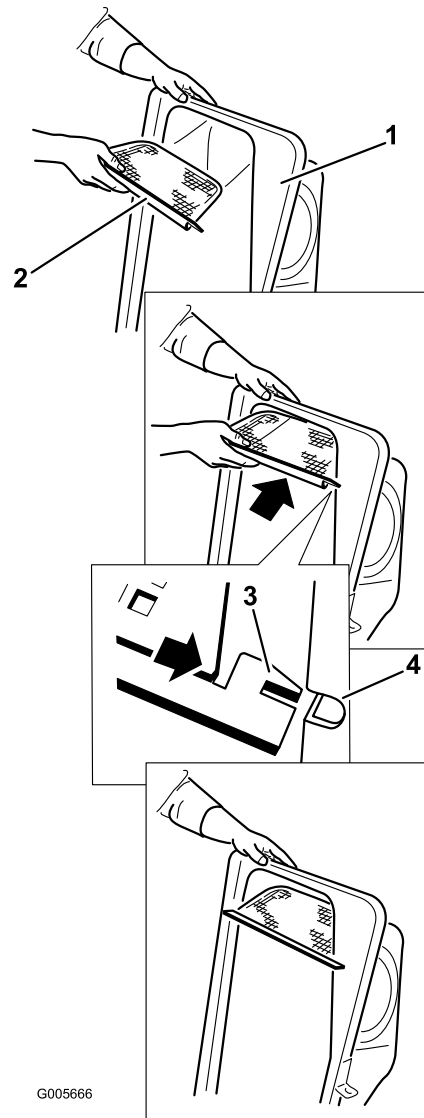
Parts needed for this procedure:

1	Bagger top
1	Bagger screen

### Procedure

1. Turn the bagger top over.
2. Install the screen as shown in [Figure 10](#) and that it slopes down toward the collection bags.

**Note:** Make sure that the screens snap into place and the tabs engage the bagger top.



**Figure 10**

1. Bagger top
2. Screen
3. Screen tab
4. Slot in bagger top

# 6

## Installing the Bagger Top

Parts needed for this procedure:

2	Grass Bag
1	Upper bagger tube
2	Pivot bracket
4	Bolt (5/16 x 1 inch)
4	Nut (5/16 inch)

### Procedure

1. Install the bagger top to the bagger frame.
2. Install the pivot brackets onto the pivot frame (Figure 8).
3. Secure the bagger top to the pivot brackets with 4 bolts (5/16 x 1 inch) and 4 nuts (5/16 inch).

**Note:** The bagger top is easier to install if 2 people work together.

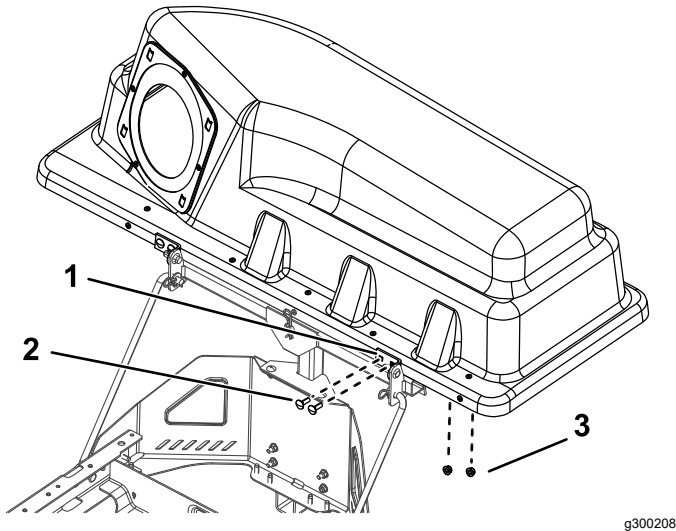


Figure 11

1. Bagger posts
2. Bolts (5/16 x 1 inch)
3. Nuts (5/16 inch)

4. Lift the bagger top and install the bags by sliding the bag frame hooks onto the retaining brackets (Figure 12).

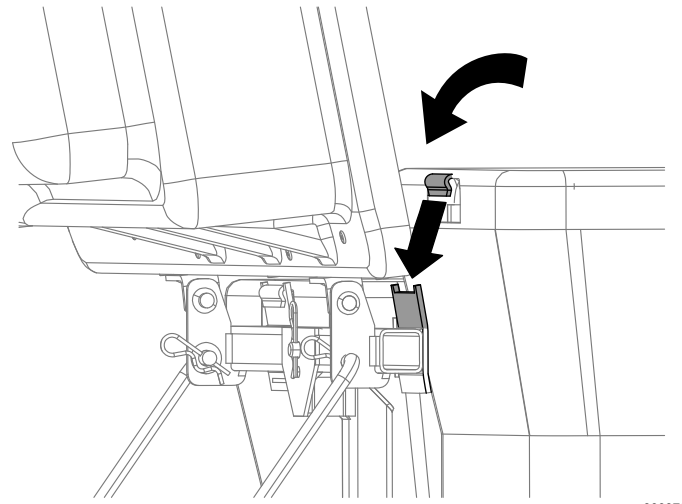


Figure 12

5. Lower the bagger top onto the bags (Figure 13).

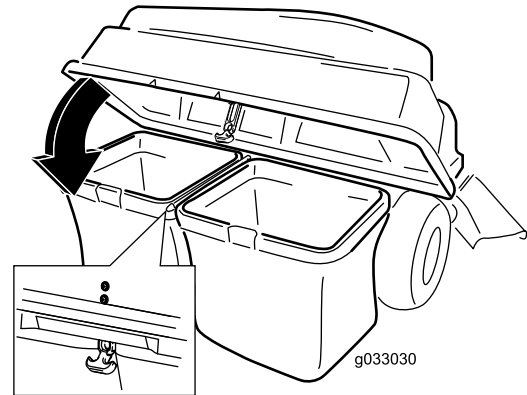


Figure 13

6. Install the upper bagger tube by inserting the curved end into the opening in the bagger top.

**Note:** Ensure that the flared end with the retention post is pointing down and forward in preparation to be mated with the Finishing Kit.

# 7

## Installing the Chute

Parts needed for this procedure:

1	Chute
---	-------

### Procedure

1. Remove the grass deflector.

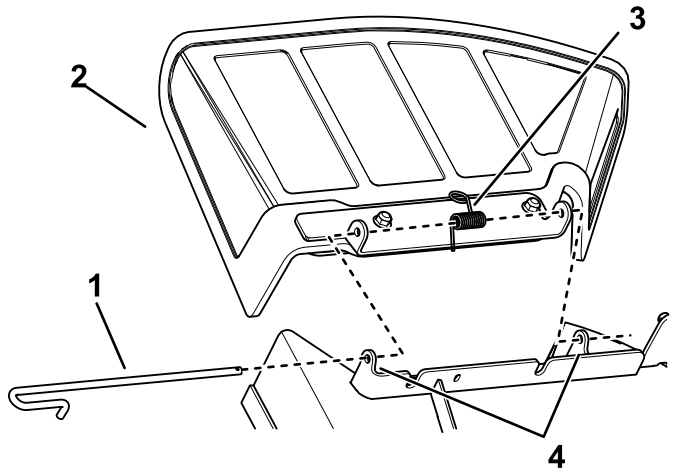


Figure 14

g339025

- |              |                 |
|--------------|-----------------|
| 1. Rod       | 3. Spring       |
| 2. Deflector | 4. Deck bracket |

2. Tilt the chute and install the pin into the hole on the mower deck.

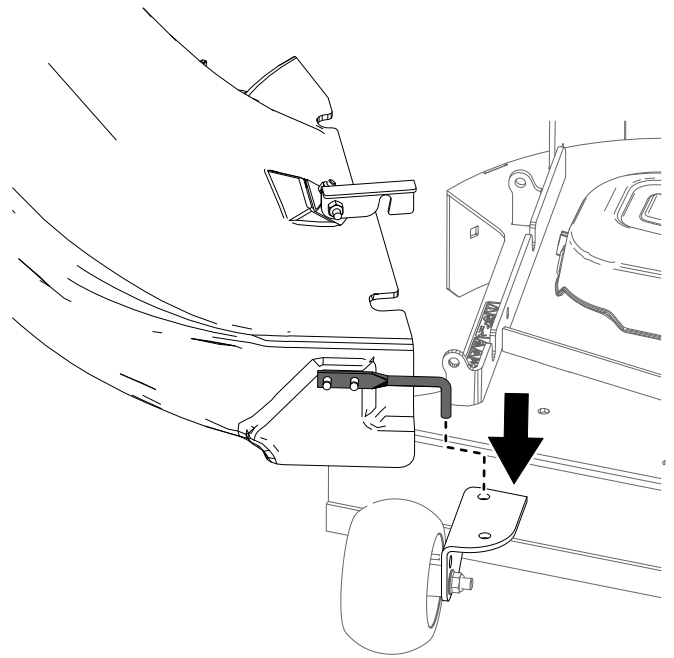


Figure 15

g339061

3. Pivot the chute back and toward the deck so the chute is flush with the mower deck.

**Note:** Ensure that the retaining hook on the chute is out of the way so the chute opening mounts flush to the deck.

4. On the top of the chute, engage the hook-shaped latch around the pivot rod of the deflector assembly and install the rod into the hole on the mower deck.

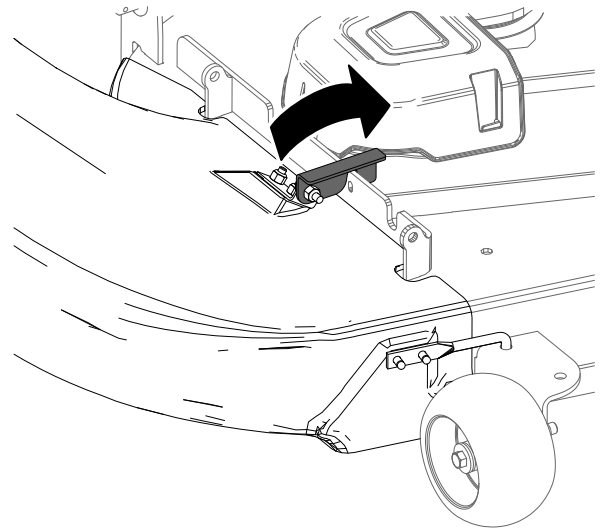


Figure 16

g339060

- Hook the flexible latch on the chute to the retaining clasp welded on the mower deck.

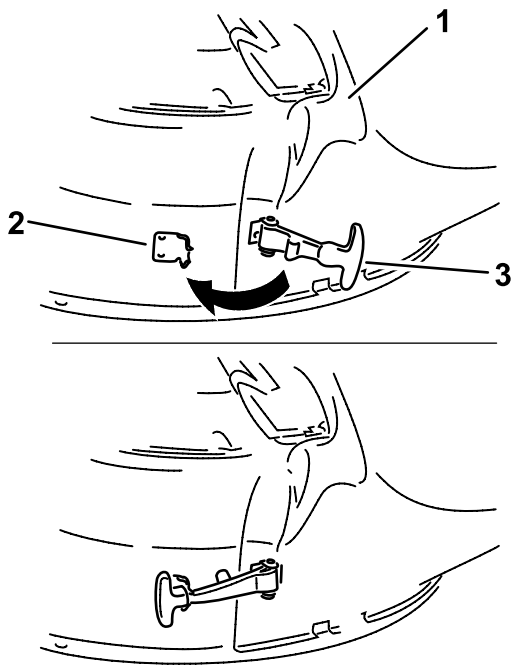


Figure 17

g299268

- Chute
- Retaining clasp
- Flexible latch

## ⚠ WARNING

Without the grass deflector, bagger tubes or complete bagger assembly mounted in place, you and others are exposed to blade contact and thrown debris. Contact with the rotating mower blade(s) and thrown debris will cause injury or death.

- Always install the grass deflector when removing the bagger and changing to side discharge mode.
- If the grass deflector is ever damaged, replace it immediately. The grass deflector routes material down toward the turf.
- Never put your hands or feet under the mower.
- Never try to clear the discharge area or mower blades unless you move the power take off (PTO) to off and rotate the ignition key to off. Also remove the key and pull the wire off of the spark plug(s).
- Turn off the engine before unclogging the discharge chute.

# 8

## Connecting with the Discharge Tube

No Parts Required

### Procedure

- Slide the curved end of the discharge tube into the opening in the bagger top (Figure 18).

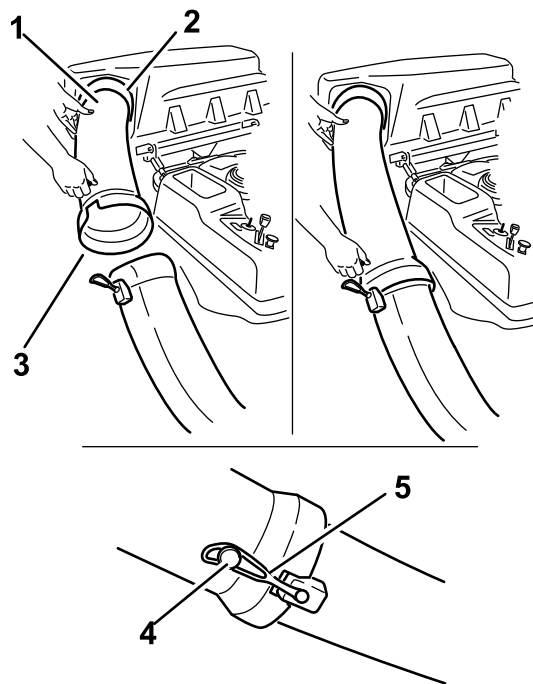


Figure 18

g339711

- Discharge tube, curved end
- Opening in bagger top
- Discharge tube, flared end
- Peg
- Rubber strap

- Slide the flared end of the discharge tube over the end of the chute. Move the rubber retaining strap on the chute snaps over the peg on the discharge tube to secure it (Figure 18).
- After the bagger installation, install the wire onto the spark plug(s).

# Operation

**Note:** Determine the left and right sides of the machine from the normal operating position.

## ⚠ WARNING

To avoid personal injury, follow these procedures:

- Become familiar with all operating and safety instructions in the *Operator's Manual* for the mower before using this attachment.
- Never remove the discharge tube, bags, bagger top, or the chute while the engine is running.
- Always shut the engine off and wait for all moving parts to stop before clearing an obstruction from the bagging system.
- Never do maintenance or repairs while the engine is running.

## ⚠ WARNING

Without the grass deflector, bagger tubes or complete bagger assembly mounted in place, you and others are exposed to blade contact and thrown debris. Contact with the rotating mower blade(s) and thrown debris will cause injury or death.

- Always install the grass deflector when removing the bagger and changing to side discharge mode.
- If the grass deflector is ever damaged, replace it immediately. The grass deflector routes material down toward the turf.
- Never put your hands or feet under the mower.
- Never try to clear the discharge area or mower blades unless you move the power take off (PTO) to off and rotate the ignition key to off. Also remove the key and pull the wire off of the spark plug(s).
- Turn off the engine before unclogging the discharge chute.

# Emptying the Grass Bags

## ⚠ DANGER

Debris, such as leaves, grass, or brush can catch fire. A fire in the engine area can cause personal injury and property damage.

- Keep the engine and muffler area free of debris accumulation.
- Take care when opening the bagger cover to keep debris from falling onto the engine and muffler area.
- Allow the machine to cool before storing it.

Be careful when lifting or handling a grass bag that is full. To empty the grass bags:

1. Park the machine on a level surface and disengage the blade control switch.
2. Move the motion control levers outward to the neutral lock position, shut off the engine, remove the key, set the parking brake and wait for all moving parts to stop before leaving the operating position.
3. Open (raise) the bagger top (Figure 19).

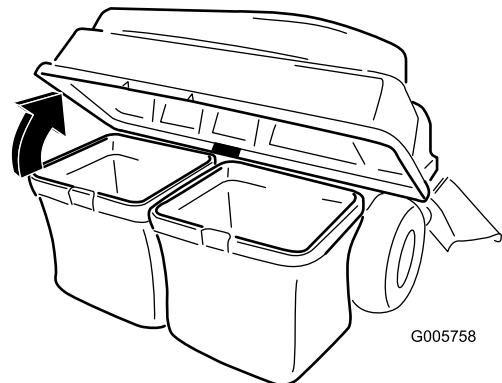


Figure 19

4. Compress debris into the bags. With both hands, lift up on the bag and unhook it from the retaining bracket. Empty the bag. Repeat the procedure for the other bag.

# Clearing Obstructions from the Bagger

## **⚠ WARNING**

When the bagger is in operation, the blower is rotating and can cut off or injure hands and fingers.

- Before adjusting, cleaning, repairing and inspecting the blower, and before unclogging the chute, shut off the engine and wait for all moving parts to stop. Remove the key.
- Use a stick or similar object, not your hands, to remove an obstruction from the blower and tube.
- Keep your face, hands, feet, and any other part of your body or clothing away from concealed, moving, or rotating parts.

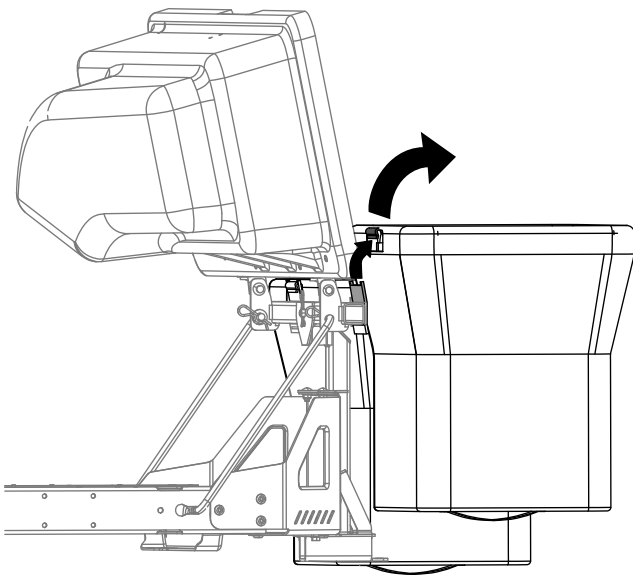


Figure 20

g300218

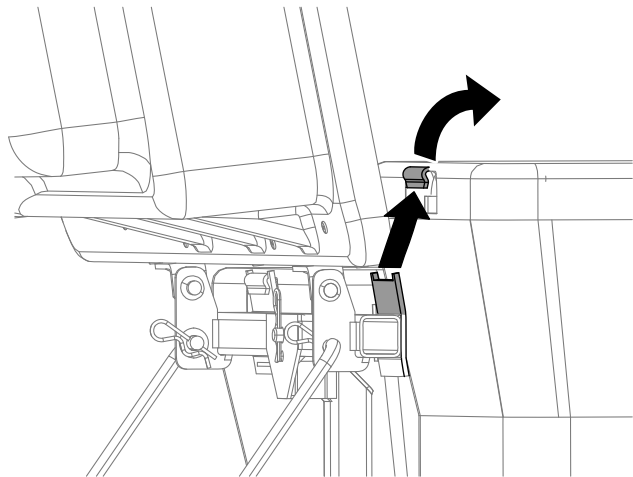


Figure 21

g300217

5. Install the bags by sliding the bag frame hooks onto the retaining brackets.
6. Lower the bagger top onto the bags.

1. Park the machine on a level surface and disengage the blade control switch.
2. Move the motion control levers outward to the neutral lock position, stop the engine, remove the key, set the parking brake and wait for all moving parts to stop before leaving the operating position.
3. Check the grass bags and empty them if they are full.
4. Remove and separate the discharge tube and chute from the bagger top and mower. Using a stick or similar object, carefully remove and clear the obstruction from the mower, discharge tube, chute, and the bagger top.
5. After you remove the obstruction, install the complete bagger system and resume operation.

# Removing the Bagger

## **⚠ CAUTION**

Failing to remove the front bagger weights and operating the machine without the bagger attachment may cause an unstable condition which could result in a loss of control.

- Always remove the front weights when removing the bagger attachment.
- Never operate the machine without the bagger attachment and the front weights still installed.



The bagger can be removed by repeating the Setup sections from all installed bagger related kits in reverse order. If weights are installed, always remove the front bagger weights when removing the bagger attachments.

**Note:** When switching back to side discharge mode, remove the bagging baffle and install the original cutoff baffle and side-discharge chute that came with the machine.

## Using the Draw Bar

The bagger support bracket has a draw bar feature that can be used for towing.

- Read and understand all the operating instructions of the machine.
- When turning, slow down and observe the clearance.
- Make wide turns and keep towed equipment clear of the towing vehicle.
- Excessive draw bar pull may cause hydrostatic transmission failure.

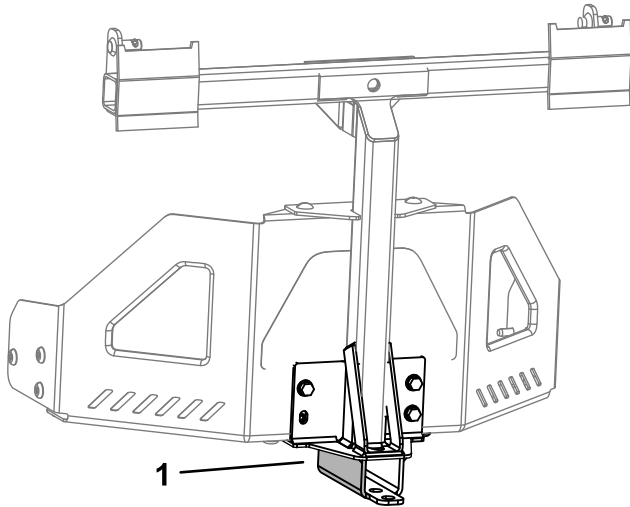


Figure 22

g300210

1. Bagger-support bracket with draw bar

## Operating Tips

### Tips for Bagging

### Remembering the Size

Remember that the machine is longer and wider with this attachment installed. By turning too sharply in confined places you may damage the attachment.

### Trimming

Always trim with the left side of the mower. Do not trim with the right side of the mower because you could damage the bagger chute and discharge tube.

### Cutting Height

Do not set the mower cutting height too low because long grass surrounding the mower can prevent air from getting under the mower and entering the bagging system. If enough air does not get under the mower, the bagging system will plug.

### Cutting Frequency

Cut the grass often, especially when it grows rapidly. You will have to cut your grass twice if it gets excessively long.

### Cutting Technique

For best lawn appearance, be sure to slightly overlap the mower into the previously cut area. This helps reduce the load on the engine and reduces the chance of plugging the chute and discharge tube.

### Bagging Speed

Most often you will bag with the mower throttle in the Fast position and drive at a normal ground speed. However, in extremely dry and dusty grass, you may want to slightly reduce the throttle speed and increase the ground speed of the mower. The bagging system may plug if you drive too fast and the engine speed gets too slow. On hills it may be necessary to slow the mower ground speed. This helps maintain the engine speed and bagging efficiency. Mow downhill whenever possible.

## **⚠ CAUTION**

**As the bagger fills, extra weight is added to the back of the machine. If you stop and start suddenly on hills, you may lose steering control or the machine may tip.**

- **Do not start or stop suddenly when going uphill or downhill. Avoid uphill starts.**
- **If you do stop the machine when going uphill, disengage the blade control. Then back down the hill using a slow speed.**
- **Avoid sudden turns or rapid speed changes on slopes.**
- **Never operate the machine without the bagger attachment and the front weights still installed.**

## **Bagging Long Grass**

Excessively long grass is heavy and may not be propelled completely into the grass bags. If this happens, the discharge tube and chute may plug. To avoid plugging the bagging system, mow the grass at a high height of cut, then lower the mower to your normal cutting height and repeat the bagging process.

## **Bagging Wet Grass**

Always try to cut grass when it is dry because your lawn will have a neat appearance. If you must cut wet grass, use the conventional side discharge feature of the mower. Several hours later, when the clippings are dry, install the complete bagger attachment and vacuum up the grass clippings.

## **Signs of Plugging**

As you are bagging, a small amount of grass clippings normally blow out the front of the mower. An excessive amount of clippings blowing out indicates that the bags are full or the system is plugged.

# Maintenance

**Note:** Determine the left and right sides of the machine from the normal operating position.

## Recommended Maintenance Schedule(s)

Maintenance Service Interval	Maintenance Procedure
After the first 10 hours	<ul style="list-style-type: none"><li>• Inspect the bagger.</li></ul>
Before each use or daily	<ul style="list-style-type: none"><li>• Clean the bagger.</li></ul>
Before storage	<ul style="list-style-type: none"><li>• Inspect the bagger.</li><li>• Clean the bagger.</li></ul>

### **⚠ CAUTION**

If you leave the key in the ignition switch, someone could accidentally start the engine and seriously injure you or other bystanders.

Remove the key from the ignition and disconnect the wire from the spark plug before you do any maintenance. Set the wire aside so that it does not accidentally contact the spark plug.

### **⚠ WARNING**

An engine can become hot while it operates. Severe burns can occur from contacting hot surfaces.

Allow the engine, especially the muffler, to cool before touching it.

### **⚠ WARNING**

Debris, such as leaves, grass, or brush can catch fire. A fire in the engine area can cause personal injury and property damage.

- Keep the engine and muffler area free of debris accumulation.
- Take care when opening the bagger cover to keep debris from falling onto the engine and muffler area.
- Allow the machine to cool before storing it.

## Inspecting the Bagger Attachment

**Service Interval:** After the first 10 hours  
Before storage

Inspect the bagger attachment after the first 10 hours of operation, and monthly thereafter.

1. Check the chute, discharge tube, and the bagger top. Replace these parts if they are cracked or broken.
2. Tighten all nuts, bolts, and screws.
3. Inspect all fasteners and latches; replace any missing or damaged.
4. Inspect the grass bags for deterioration.

### **⚠ WARNING**

You or bystanders could be severely injured by flying debris or thrown objects that may pass through torn, worn, or deteriorated grass bags.

- Check the grass bags for holes, rips, wear, and other deterioration.
- Do not wash the grass bags.
- If the bag has deteriorated, install new grass bags supplied by the manufacturer of this bagger attachment.

# Inspecting the Mower Blades

Inspect the mower blades regularly and whenever a blade strikes a foreign object.

If the blades are badly worn or damaged, install new blades. Refer to your mower or mower *Operator's Manual* for complete blade maintenance.

# Cleaning the Bagger Attachment

**Service Interval:** Before each use or daily  
Before storage

**Note:** To prevent rapid deterioration of the bag material, store the bags where they will dry completely after each use.

1. After each use, remove and wash the inside and outside of the bagger top, discharge tube, chute, and the underside of the mower, using water sprayed from a garden hose. Use a mild detergent to remove stubborn dirt.
2. Make sure you remove matted grass from all parts.
3. Flush the grass bags with water using garden hose to remove any debris.
4. After washing, let all of the parts dry thoroughly.

# Storage

## Storing the Bagger Attachment

1. Clean the bagger attachment; refer to [Cleaning the Bagger Attachment \(page 18\)](#).
2. Inspect the bagger attachment for damage; refer to [Inspecting the Bagger Attachment \(page 17\)](#).
3. Make sure the grass bags are empty and thoroughly dry.
4. Store the bagger in a clean, dry place, out of direct sunlight. This protects the plastic parts and extends the life of the bagger. If you must store the bagger outside, cover it with a weatherproof cover.

**Notes:**

# California Proposition 65 Warning Information

## What is this warning?

You may see a product for sale that has a warning label like the following:



**WARNING: Cancer and Reproductive Harm—[www.p65Warnings.ca.gov](http://www.p65Warnings.ca.gov).**

## What is Prop 65?

Prop 65 applies to any company operating in California, selling products in California, or manufacturing products that may be sold in or brought into California. It mandates that the Governor of California maintain and publish a list of chemicals known to cause cancer, birth defects, and/or other reproductive harm. The list, which is updated annually, includes hundreds of chemicals found in many everyday items. The purpose of Prop 65 is to inform the public about exposure to these chemicals.

Prop 65 does not ban the sale of products containing these chemicals but instead requires warnings on any product, product packaging, or literature with the product. Moreover, a Prop 65 warning does not mean that a product is in violation of any product safety standards or requirements. In fact, the California government has clarified that a Prop 65 warning "is not the same as a regulatory decision that a product is 'safe' or 'unsafe.'" Many of these chemicals have been used in everyday products for years without documented harm. For more information, go to <https://oag.ca.gov/prop65/faqs-view-all>.

A Prop 65 warning means that a company has either (1) evaluated the exposure and has concluded that it exceeds the "no significant risk level"; or (2) has chosen to provide a warning based on its understanding about the presence of a listed chemical without attempting to evaluate the exposure.

## Does this law apply everywhere?

Prop 65 warnings are required under California law only. These warnings are seen throughout California in a wide range of settings, including but not limited to restaurants, grocery stores, hotels, schools, and hospitals, and on a wide variety of products. Additionally, some online and mail order retailers provide Prop 65 warnings on their websites or in catalogs.

## How do the California warnings compare to federal limits?

Prop 65 standards are often more stringent than federal and international standards. There are various substances that require a Prop 65 warning at levels that are far lower than federal action limits. For example, the Prop 65 standard for warnings for lead is 0.5 µg/day, which is well below the federal and international standards.

## Why don't all similar products carry the warning?

- Products sold in California require Prop 65 labelling while similar products sold elsewhere do not.
- A company involved in a Prop 65 lawsuit reaching a settlement may be required to use Prop 65 warnings for its products, but other companies making similar products may have no such requirement.
- The enforcement of Prop 65 is inconsistent.
- Companies may elect not to provide warnings because they conclude that they are not required to do so under Prop 65; a lack of warnings for a product does not mean that the product is free of listed chemicals at similar levels.

## Why do we include this warning?

Our company has chosen to provide consumers with as much information as possible so that they can make informed decisions about the products they buy and use. We provide warnings in certain cases based on its knowledge of the presence of one or more listed chemicals without evaluating the level of exposure, as not all the listed chemicals provide exposure limit requirements. While the exposure from our products may be negligible or well within the "no significant risk" range, out of an abundance of caution, we have elected to provide the Prop 65 warnings. Moreover, if we do not provide these warnings, it could be sued by the State of California or by private parties seeking to enforce Prop 65 and subject to substantial penalties.

# 86 cm Grasfangkorb

## Aufsitzrasenmäher mit Nullwendekreis

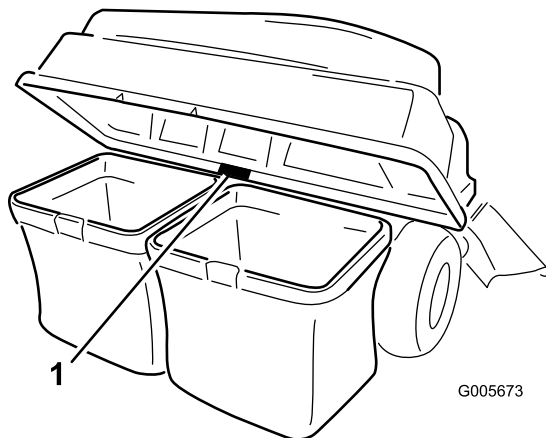
Modellnr. 79417—Seriennr. 400000000 und höher

### Bedienungsanleitung

## Einführung

Lesen Sie diese Informationen sorgfältig durch, um sich mit dem ordnungsgemäßen Einsatz und der Wartung des Geräts vertraut zu machen und Verletzungen und eine Beschädigung des Geräts zu vermeiden. Sie tragen die Verantwortung für einen ordnungsgemäßen und sicheren Einsatz des Geräts.

Wenden Sie sich an Ihren Vertragshändler oder Kundendienst, wenn Sie eine Serviceleistung, Originalersatzteile oder weitere Informationen benötigen. Haben Sie dafür die Modell- und Seriennummern des Produkts griffbereit. **Bild 1** zeigt die Position der Modell- und Seriennummern am Produkt. Tragen Sie hier bitte die Modell- und Seriennummern des Geräts ein.



**Bild 1**

1. Typenschild mit Modell- und Seriennummer

Modellnr. _____
Seriennr. _____

In dieser Anleitung werden potenzielle Gefahren angeführt und Sicherheitshinweise werden vom Sicherheitswarnsymbol (**Bild 2**) gekennzeichnet. Dieses Warnsymbol weist auf eine Gefahr hin, die zu schweren oder tödlichen Verletzungen führen kann, wenn Sie die empfohlenen Sicherheitsvorkehrungen nicht einhalten.



**Bild 2**

Sicherheitswarnsymbol

g000502

In dieser Anleitung werden zwei Begriffe zur Hervorhebung von Informationen verwendet. **Wichtig** weist auf spezielle technische Informationen hin, und **Hinweis** hebt allgemeine Informationen hervor, die Ihre besondere Beachtung verdienen.



## **⚠️ WARNUNG:**

### **KALIFORNIEN**

#### **Warnung zu Proposition 65**

**Bei Verwendung dieses Produkts sind Sie ggf. Chemikalien ausgesetzt, die laut den Behörden des Staates Kalifornien krebserregend wirken, Geburtsschäden oder andere Defekte des Reproduktionssystems verursachen.**

# Sicherheit

- Machen Sie sich mit dem sicheren Betrieb der Maschine sowie den Bedienelementen und Sicherheitsschildern vertraut.
- Gehen Sie mit Heckfangsystemen oder anderen Zusatzgeräten besonders vorsichtig vor. Anbaugeräte können die Stabilität und Betriebsmerkmale der Zugmaschine verändern.
- Befolgen Sie zur Verbesserung der Stabilität die Herstelleranweisungen bezüglich des Radballasts und der Gegengewichte.
- Verwenden Sie an steilen Hängen kein Heckfangsystem. Ein schweres Heckfangsystem kann zum Kontrollverlust und zum Umkippen der Maschine führen.
- Fahren Sie an Hanglagen langsamer und mit erhöhter Vorsicht. Stellen Sie sicher, dass Sie Hänge in der empfohlenen Richtung befahren. Der Zustand der Rasenflächen kann sich auf die Stabilität der Maschine auswirken. Seien Sie besonders vorsichtig, wenn Sie in der Nähe von Gräben arbeiten.
- Führen Sie alle Bewegungen an Hängen langsam und schrittweise durch. Wechseln Sie nie plötzlich die Geschwindigkeit, Richtung oder Wenden Sie.
- Das Heckfangsystem kann die Sicht nach hinten einschränken. Passen Sie besonders auf, wenn Sie rückwärts fahren.
- Gehen Sie beim Ver- und Abladen der Maschine auf/von einem Anhänger oder Pritschenwagen vorsichtig vor.
- Setzen Sie die Maschine nie mit angehobenem, abgenommenem oder verändertem Auswurfablenkblech ein, es sei denn, Sie verwenden ein Heckfangsystem.
- Halten Sie Ihre Hände und Füße von beweglichen Teilen fern. Bei laufendem Motor sollten keine Einstellungsarbeiten vorgenommen werden.
- Parken Sie die Maschine auf einer ebenen Fläche, kuppeln Sie die Antriebe aus und stellen Sie den Motor ab, bevor Sie die Bedienerposition aus irgendeinem Grund verlassen. Dies gilt auch für das Leeren des Heckfangsystems oder Entfernen von Verstopfungen vom Auswurfkanal.
- Wenn Sie das Heckfangsystem abnehmen, müssen Sie auf jeden Fall ein Auswurfablenkblech oder einen Schutz anbringen, den Sie ggf. für die Montage des Heckfangsystems abgenommen haben. Setzen Sie das Mähwerk nicht ohne montiertes Heckfangsystem oder installiertes Ablenkblech ein.

# Inhalt

Einführung .....	1
Sicherheit .....	2
Sicherheit beim Schleppen .....	3
Sicherheits- und Bedienungsschilder .....	4
Einrichtung .....	5
1 Vorbereiten der Maschine .....	6
2 Einbauen des Ballasts .....	6
3 Befestigung der Anbaugeräthalterung .....	7
4 Befestigen der Verriegelungsstange .....	8
5 Montieren der Abdeckung des Heckfangsystems .....	9
6 Einbauen der Abdeckung des Heckfangsystems .....	9
7 Einbauen des Auswurfkanals .....	11
8 Verbinden mit dem Auswurfrohr .....	13
Betrieb .....	13
Entleeren der Grasfangkörbe .....	14
Entfernen von Verstopfungen vom Heckfangsystem .....	15
Abnehmen des Heckfangsystems .....	15
Verwenden der Zugstange .....	16
Betriebshinweise .....	16
Wartung .....	18
Empfohlener Wartungsplan .....	18
Prüfen des Heckfangsystems .....	18
Prüfen der Schnittmesser .....	19
Reinigen des Heckfangsystems .....	19
Einlagerung .....	19
Lagern des Heckfangsystems .....	19



- Lassen Sie Schnittgut nicht für längere Zeit im Heckfangsystem.
- Die Bauteile des Heckfangsystems verschleifen, werden beschädigt und verschlechtern sich im Laufe der Zeit, wodurch Sie beweglichen Teilen ausgesetzt sein können und das Ausschleudern von Gegenständen ermöglicht. Prüfen Sie die Teile regelmäßig und tauschen Sie falls nötig mit vom Hersteller empfohlenen Ersatzteilen aus.

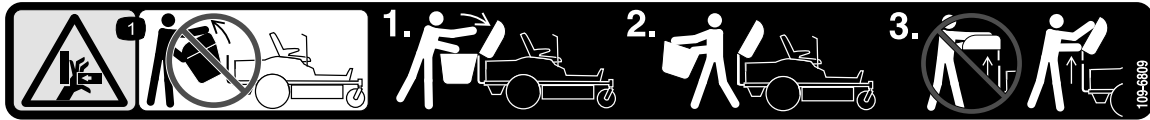
## **Sicherheit beim Schleppen**

- Befestigen Sie abgeschleppte Geräte nur an der Anhängerkupplung.
- Halten Sie die Empfehlungen des Anbaugeräteherstellers hinsichtlich Gewichtslimits für geschleppte Geräte und Schleppen an Hanglagen ein.
- Halten Sie Kinder und andere Personen immer von angehängten Geräten fern.
- Auf Hängen kann das Gewicht des angehängten Geräts zu einem Verlust der Haftung und Kontrolle führen. Verringern Sie das geschleppte Gewicht und die Geschwindigkeit.
- Der Bremsweg verlängert sich mit dem Gewicht der geschleppten Last. Fahren Sie langsam und berücksichtigen Sie den längeren Bremsweg.
- Wenden Sie großzügig, damit das Anbaugerät nicht die Maschine berührt.
- Schleppen Sie keine Last, die schwerer als die Zugmaschine ist.

# Sicherheits- und Bedienungsschilder



Die Sicherheits- und Anweisungsaufkleber sind gut sichtbar; sie befinden sich in der Nähe der möglichen Gefahrenbereiche. Tauschen Sie beschädigte oder verloren gegangene Aufkleber aus.



109-6809

decal109-6809

1. Quetschgefahr der Hände: Nehmen Sie nicht das ganze Heckfangsystem von der Maschine ab. Öffnen Sie die Abdeckung des Heckfangsystems und nehmen Sie die Fangkörbe vom Heckfangsystem ab. Nehmen Sie die Abdeckung des Heckfangsystems nicht in geschlossenem Zustand ab. Öffnen Sie die Abdeckung und nehmen Sie diese dann ab.



110-6691

decal110-6691

1. Gefahr durch herausgeschleuderte Objekte: Unbeteiligte müssen einen Abstand zur Maschine halten.
2. Gefahr durch vom Rasenmäher herausgeschleuderte Gegenstände: Setzen Sie die Maschine nicht ohne Ablenklech oder Heckfangsystem ein.
3. Gefahr von Schnittverletzungen und/oder der Amputation von Händen oder Füßen: Berühren Sie keine beweglichen Teile.

**WARNING:** Cancer and Reproductive Harm - [www.P65Warnings.ca.gov](http://www.P65Warnings.ca.gov).  
For more information, please visit [www.ticoCAProp65.com](http://www.ticoCAProp65.com)

133-8061

133-8061

decal133-8061

# Einrichtung

## Einzelteile

Prüfen Sie anhand der nachstehenden Tabelle, dass Sie alle im Lieferumfang enthaltenen Teile erhalten haben.

Verfahren	Beschreibung	Menge	Verwendung
<b>1</b>	Keine Teile werden benötigt	–	Vorbereiten der Maschine.
<b>2</b>	Schraube ( $\frac{3}{8}$ " x 1") Sicherungsmutter ( $\frac{3}{8}$ ") Linke Ballasthalterung Rechte Ballasthalterung Unterlegscheibe Schraube ( $\frac{5}{8}$ " x 2 $\frac{3}{4}$ ") Kofferballast	4 6 1 1 2 2 8	Einbauen des Ballasts.
<b>3</b>	Stabilisatorbügel Schlossschraube (5/16" x $\frac{3}{4}$ ") Sicherungsmutter (5/16") Blechschaube (5/16" x $\frac{3}{4}$ ") Schraube (5/16" x 1") Drehrahmen Splint Stange Scheibe	1 2 4 2 2 1 2 2 2	Befestigung der Anbaugeräthalterung.
<b>4</b>	Verriegelungsstange Splint	1 1	Befestigen der Verriegelungsstange.
<b>5</b>	Abdeckung des Heckfangsystems Gitter des Heckfangsystems	1 1	Montieren der Abdeckung des Heckfangsystems.
<b>6</b>	Grasfangkorb Oberes Rohr des Heckfangsystems Schwenkhalterung Schraube (5/16" x 1") Mutter (5/16")	2 1 2 4 4	Einbauen der Abdeckung des Heckfangsystems.
<b>7</b>	Auswurfkanal	1	Einbauen des Auswurfkanals.
<b>8</b>	Keine Teile werden benötigt	–	Verbinden mit dem Auswurfrohr.

# 1

## Vorbereiten der Maschine

Keine Teile werden benötigt

### Verfahren

1. Parken Sie die Maschine auf einer ebenen Fläche.
2. Kuppeln Sie den Zapfwellenantriebsschalter aus.
3. Stellen Sie die Fahrtriebshebel in die ARRETIERTE NEUTRAL-Stellung und aktivieren Sie die Feststellbremse.
4. Stellen Sie den Motor ab und ziehen Sie den Schlüssel ab.

# 2

## Einbauen des Ballasts

Für diesen Arbeitsschritt erforderliche Teile:

4	Schraube ( $\frac{3}{8}$ " x 1")
6	Sicherungsmutter ( $\frac{3}{8}$ "
1	Linke Ballasthalterung
1	Rechte Ballasthalterung
2	Unterlegscheibe
2	Schraube ( $\frac{5}{8}$ " x $2\frac{3}{4}$ "
8	Kofferballast

### Verfahren

#### ⚠ ACHTUNG

Das Heckfangsystem kann die Gewichtsverteilung der Maschine ändern. Das Verwenden der Maschine ohne Frontballast kann zu Instabilität und einem Verlust der Maschinenkontrolle führen.

Stellen Sie sicher, dass der Frontballast richtig installiert ist, bevor Sie die Maschine mit dem Heckfangsystem verwenden.

1. Montieren Sie die Ballasthalterungen an der Unterseite des Rahmens mit zwei Schrauben

( $\frac{3}{8}$ " x 1") und zwei Kontermuttern ( $\frac{3}{8}$ "), wie in Bild 3 dargestellt.

2. Befestigen Sie die beiden Kofferballaste an den Ballasthalterungen mit zwei Schrauben ( $\frac{5}{8}$ " x  $2\frac{3}{4}$ " ) und zwei Sicherungsmuttern ( $\frac{3}{8}$ " ), wie in Bild 4 dargestellt.
3. Wenn aller Ballast und die Halterungen befestigt sind, prüfen Sie, ob alle Befestigungen angezogen sind. Ziehen Sie ggf. an.

**Wichtig:** Wenn Sie das Heckfangsystem abnehmen, müssen Sie auch den vorderen Ballast abnehmen, um die Stabilität der Maschine zu erhalten.

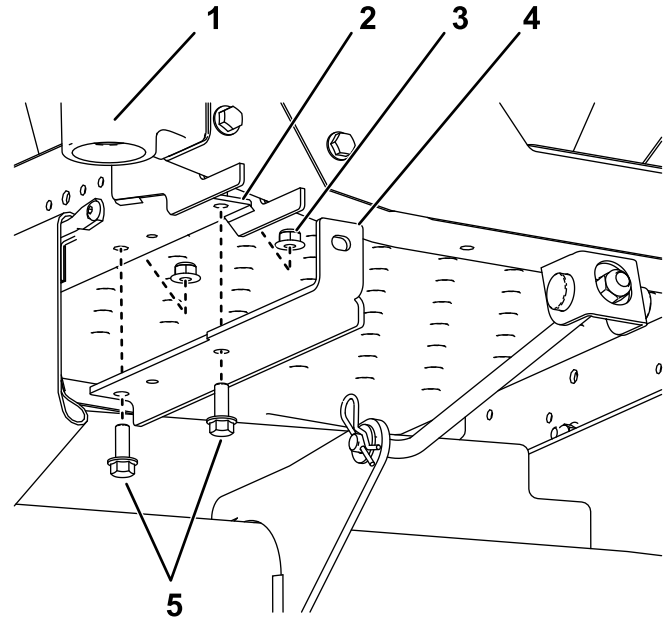
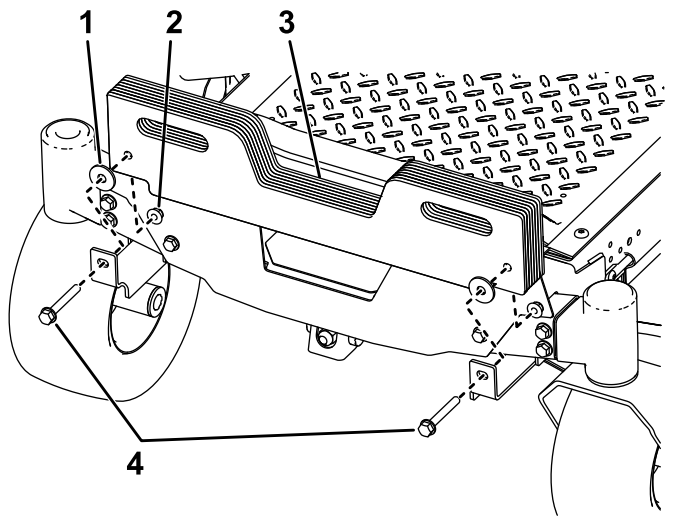


Bild 3

Laufрадgabel und Rad sind aus Übersichtsgründen nicht abgebildet.

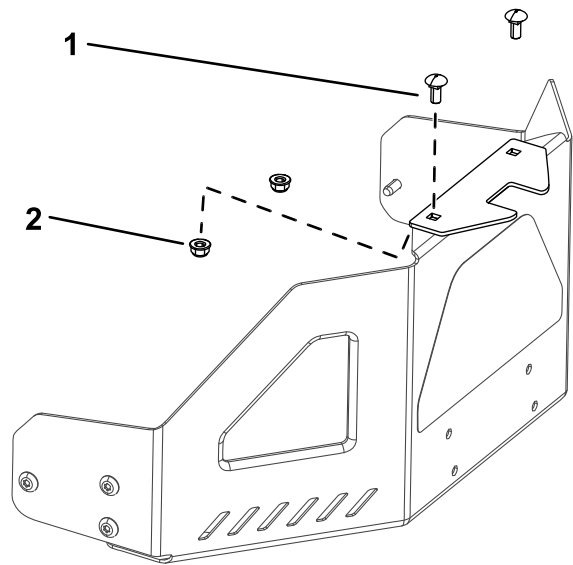
1. Rechtes Laufrad vorne
2. Loch vorne (rechte Seite abgebildet)
3. Sicherungsmutter ( $\frac{3}{8}$ " )
4. Rechte Befestigungshalterung
5. Schraube ( $\frac{3}{8}$ " x 1")



**Bild 4**

g340355

- 1. Distanzstück
- 2. Sicherungsmutter (3/8")
- 3. Kofferballast
- 4. Schrauben (5/8" x 2 3/4")



**Bild 5**

g300204

- 1. Schlossschraube (5/16" x 3/4")
- 2. Sicherungsmutter (5/16")

# 3

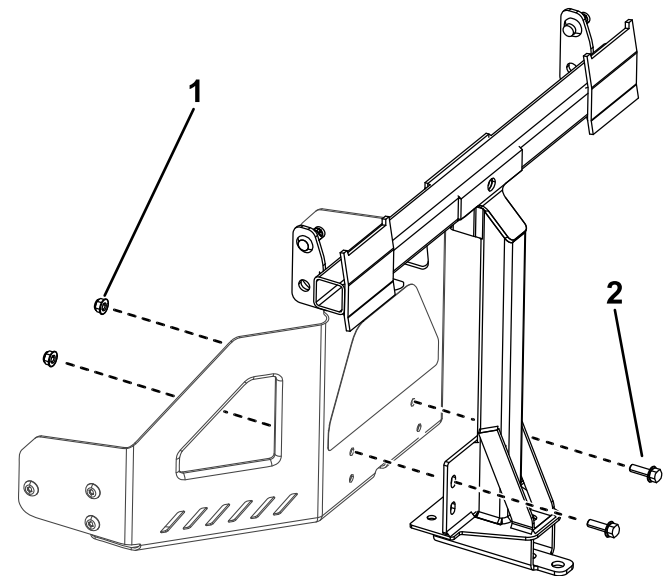
## Befestigung der Anbaugeräthalterung

Für diesen Arbeitsschritt erforderliche Teile:

1	Stabilisatorbügel
2	Schlossschraube (5/16" x 3/4")
4	Sicherungsmutter (5/16")
2	Blechschaube (5/16" x 3/4")
2	Schraube (5/16" x 1")
1	Drehrahmen
2	Splint
2	Stange
2	Scheibe

## Montage des Stabilisatorbügels und des Drehrahmens

1. Befestigen Sie den Stabilisatorbügel mit zwei Schlossschrauben (5/16" x 3/4") und zwei Sicherungsmuttern (5/16") an der Motorschutzvorrichtung (**Bild 5**).



**Bild 6**

g300205

- 1. Sicherungsmutter (5/16")
- 2. Schraube (5/16" x 1")

3. Befestigen Sie den Drehrahmen mit zwei Blechschauben (5/16" x 3/4") an der Unterseite des Maschinenrahmens, wie in **Bild 7** abgebildet.

# 4

## Befestigen der Verriegelungsstange

Für diesen Arbeitsschritt erforderliche Teile:

1	Verriegelungsstange
1	Splint

### Verfahren

Befestigen Sie die Verriegelungsstange mit einem Splint ([Bild 9](#)).

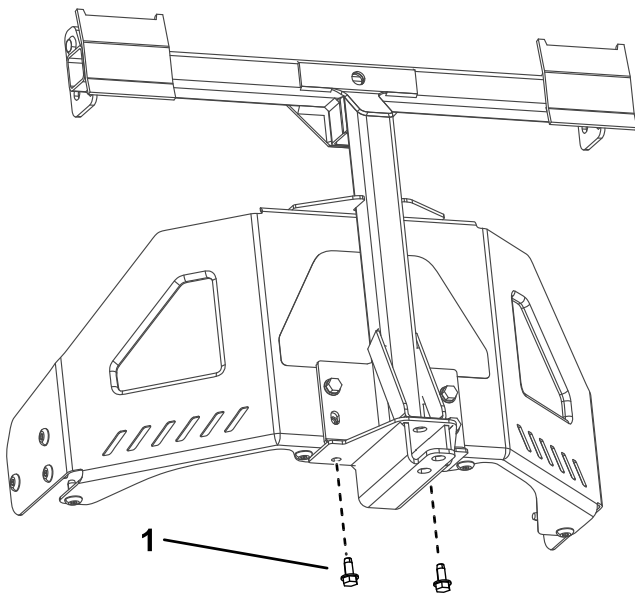


Bild 7

g300206

1. Blechschraube (5/16" x 3/4")

4. Setzen Sie das gebogene, flache Ende einer Stange in den verkeilten Schlitz an der linken Seite des Maschinenrahmens ein und bewegen die Stange nach hinten, damit sie im Rahmen sitzt ([Bild 8](#)).

**Hinweis:** Wiederholen Sie diese Schritte für die rechte Seite der Maschine.

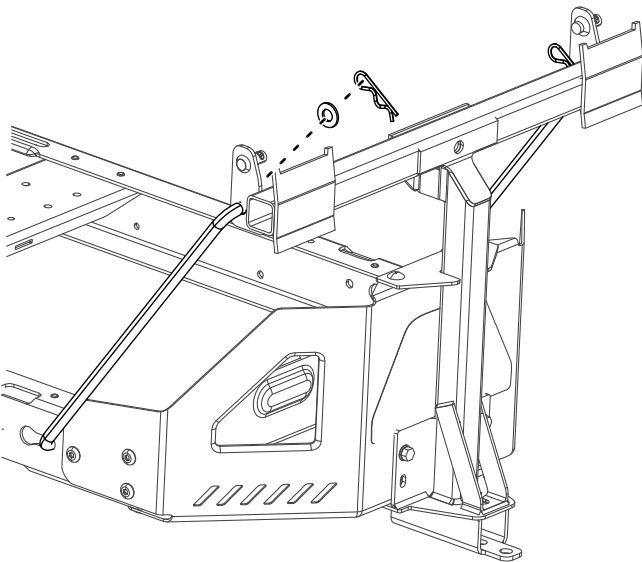


Bild 8

g300207

5. Setzen Sie die gebogenen Enden der Stangen in die Anbaugerätbefestigung ein, wie in [Bild 8](#) abgebildet, und befestigen Sie das Ende jeder Stange mit einer Scheibe und einem Splint.

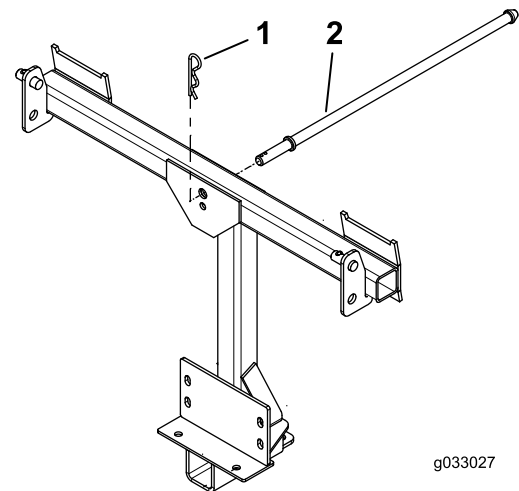


Bild 9

g033027

g033027

1. Splint

2. Verriegelungsstange

# 5

## Montieren der Abdeckung des Heckfangsystems

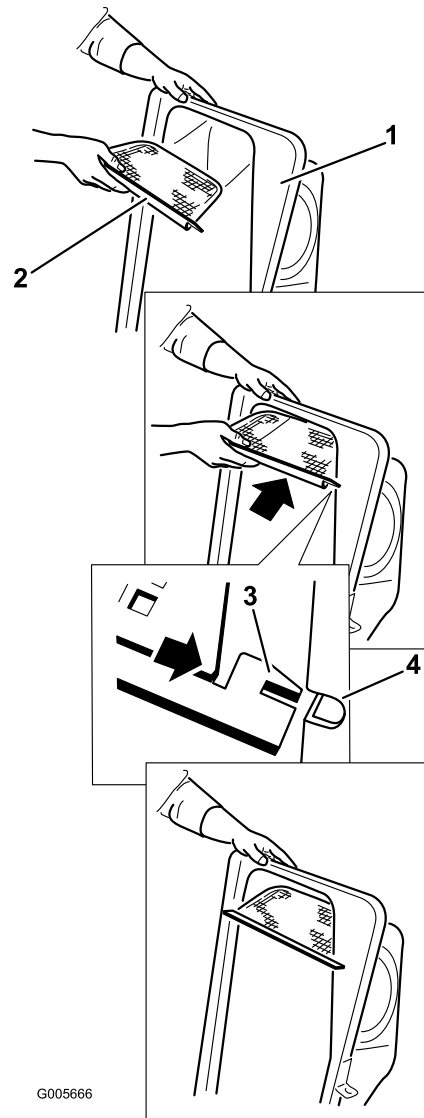
Für diesen Arbeitsschritt erforderliche Teile:

1	Abdeckung des Heckfangsystems
1	Gitter des Heckfangsystems

### Verfahren

1. Drehen Sie die Abdeckung des Heckfangsystems um.
2. Setzen Sie das Gitter so ein, wie in [Bild 10](#) abgebildet, dass es sich nach unten zu den Grasfangkörben neigt.

**Hinweis:** Stellen Sie sicher, dass die Gitter einrasten und die Nasen an der Abdeckung des Heckfangsystems greifen.



G005666

g005666

**Bild 10**

1. Abdeckung des Heckfangsystems
2. Gitter
3. Gitternase
4. Schlitz in der Abdeckung des Heckfangsystems

# 6

## Einbauen der Abdeckung des Heckfangsystems

Für diesen Arbeitsschritt erforderliche Teile:

2	Grasfangkorb
1	Oberes Rohr des Heckfangsystems
2	Schwenkhalterung
4	Schraube (5/16" x 1")
4	Mutter (5/16")

### Verfahren

1. Bauen Sie die Abdeckung des Heckfangsystems am Rahmen des Heckfangsystems ein.
2. Montieren Sie die Schwenkhalterungen am Drehrahmen (Bild 8).
3. Befestigen Sie die Oberseite des Heckfangsystems an den Schwenkbügeln mit vier Schrauben (5/16" x 1") und vier Muttern (5/16").

**Hinweis:** Der Einbau der Abdeckung des Heckfangsystems ist einfacher, wenn dies zwei Personen tun.

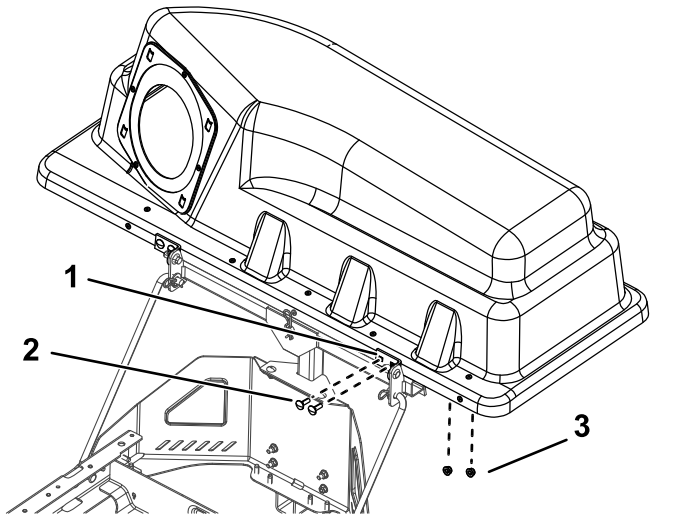


Bild 11

g300208

1. Drehzapfen des Heckfangsystems
2. Schraube (5/16" x 1")
3. Muttern (5/16")

4. Heben Sie die Abdeckung des Heckfangsystems an und setzen Sie die Grasfangkörbe ein.

Schieben Sie die Korbhaken auf die Befestigungshalterungen (Bild 12).

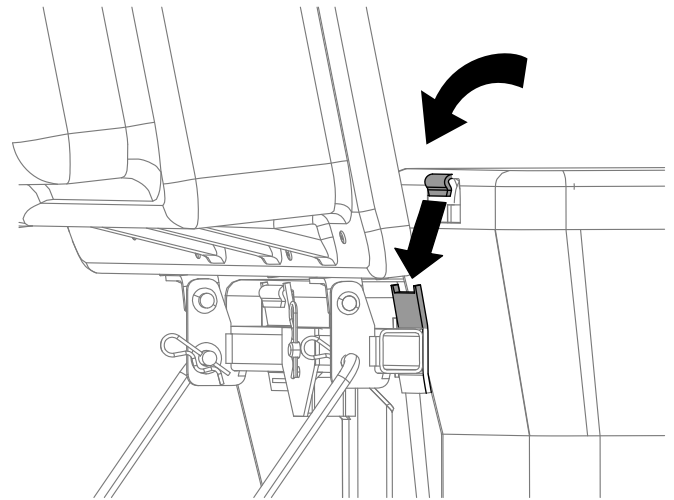


Bild 12

g300378

5. Senken Sie die Abdeckung des Heckfangsystems auf die Körbe ab (Bild 13).

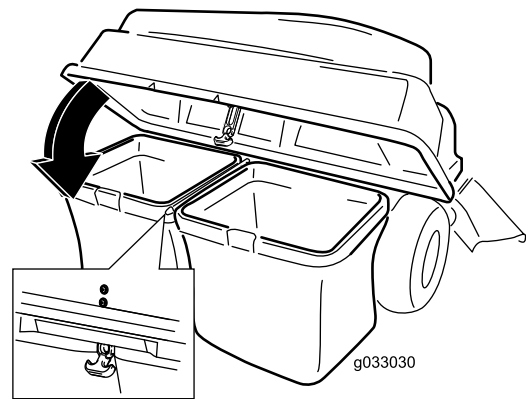


Bild 13

g033030

g033030

6. Setzen Sie zur Montage des oberen Heckfangsystemrohrs das gekrümmte Ende in die Öffnung an der Oberseite des Heckfangsystems ein.

**Hinweis:** Stellen Sie sicher, dass das breite Ende mit der Befestigungsstrebe nach unten und vorne zeigt, damit es am Finishingkit befestigt werden kann.



# 7

## Einbauen des Auswurfkanals

Für diesen Arbeitsschritt erforderliche Teile:

1	Auswurfkanal
---	--------------

### Verfahren

1. Entfernen Sie das Ablenkblech.

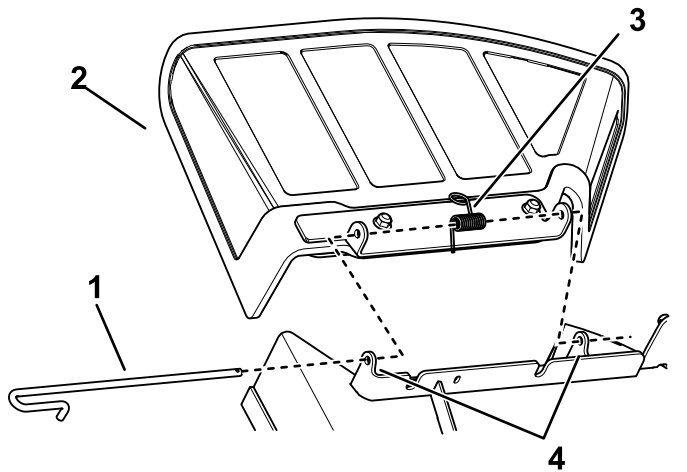


Bild 14

g339025

- |                |                     |
|----------------|---------------------|
| 1. Stange      | 3. Feder            |
| 2. Ablenkblech | 4. Mähwerkhalterung |

2. Kippen Sie den Auswurfkanal und setzen Sie den Stift in das Loch am Mähwerk ein.

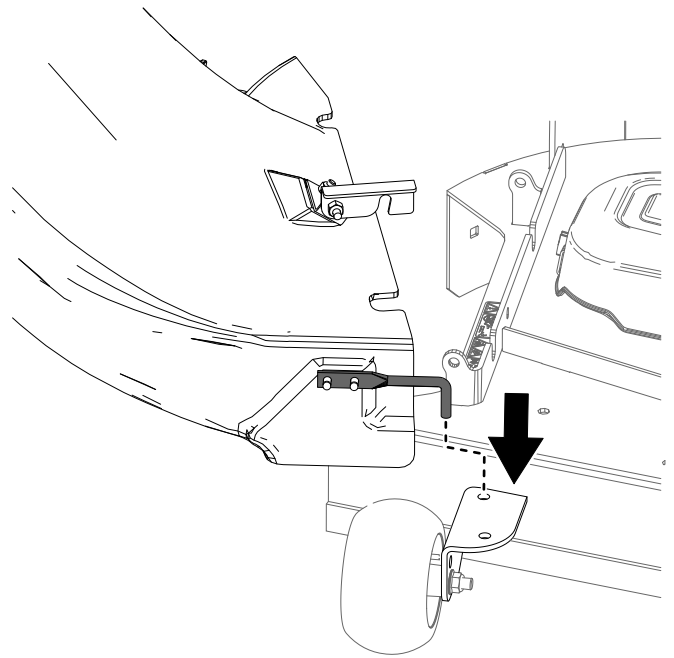


Bild 15

g339061

3. Drehen Sie den Auswurfkanal nach hinten zum Mähwerk, sodass der Auswurfkanal mit dem Mähwerkgehäuse bündig ist.

**Hinweis:** Stellen Sie sicher, dass der Befestigungshaken am Auswurfkanal nicht im Weg ist, sodass die Öffnung des Auswurfkanals bündig am Mähwerk befestigt ist.

4. Auf der Oberseite des Auswurfkanals die hakenförmige Verriegelung um die Gelenkstange des Ablenkblechs einrasten und die Stange in das Loch auf dem Mähwerk einsetzen.

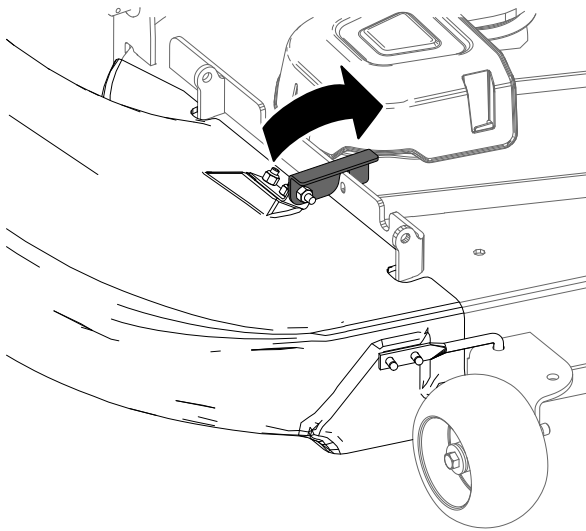


Bild 16

g339060

5. Haken Sie den flexiblen Verschluss am Auswurfkanal an der Befestigungsklemme ein, die am Mähwerk angeschweißt ist.

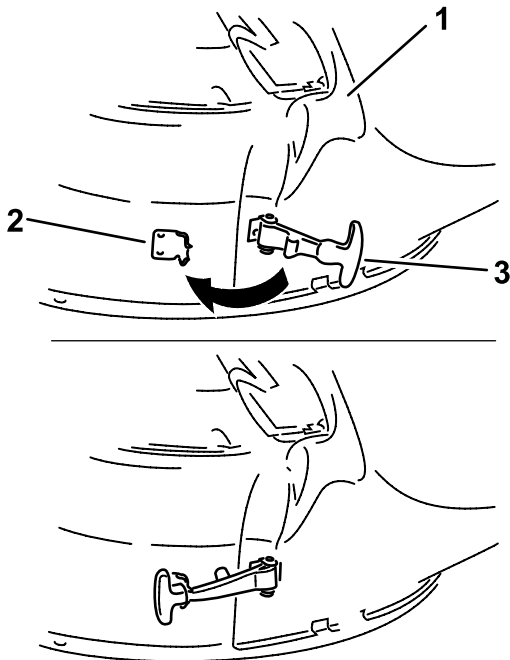


Bild 17

g299268

1. Auswurfkanal  
2. Befestigungsklemme  
3. Flexibler Verschluss

## ⚠️ WARNUNG:

Wenn das Ablenkblech, die Heckfangsystemrohre oder das komplette Heckfangsystem nicht montiert sind, sind die Bedienungsperson und umstehende Personen der Gefahr eines Kontakts mit dem Schnittmesser und ausgeschleuderten Gegenständen ausgesetzt. Kontakt mit einem sich drehenden Schnittmesser oder ausgeschleuderten Gegenständen führt zu ggf. tödlichen Verletzungen.

- Montieren Sie immer das Ablenkblech, wenn Sie das Heckfangsystem abnehmen und den Seitenauswurf verwenden.
- Wechseln Sie das Ablenkblech sofort aus, wenn es beschädigt ist. Das Ablenkblech lenkt das Material zur Rasenfläche.
- Stecken Sie nie Hände oder Füße unter den Rasenmäher.
- Versuchen Sie nie, den Auswurfbereich zu räumen oder die Schnittmesser zu reinigen, ohne den Zapfwellenantrieb auszukuppeln und den Zündschlüssel auf Aus zu drehen. Ziehen Sie außerdem den Schlüssel und den Stecker von den Zündkerzen ab.
- Stellen Sie den Motor ab, bevor Sie Verstopfungen aus dem Auswurfkanal entfernen.

# 8

## Verbinden mit dem Auswurfrohr

Keine Teile werden benötigt

### Verfahren

1. Schieben Sie das gekrümmte Ende des Auswurfrohrs in die Öffnung in der Abdeckung des Heckfangsystems (Bild 18).

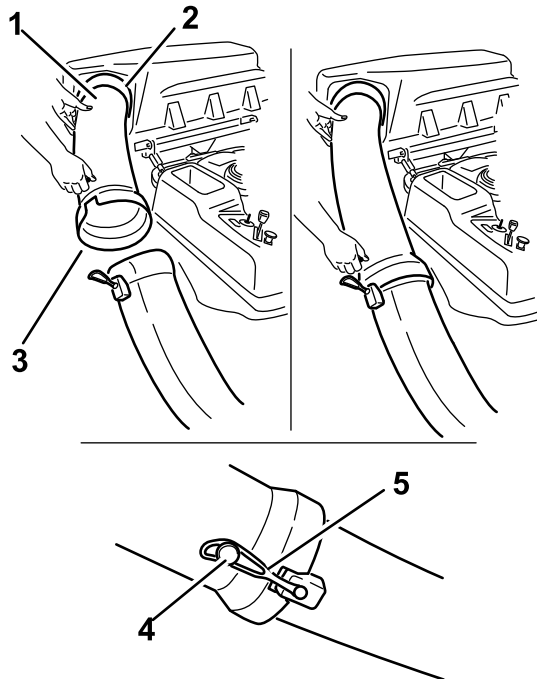


Bild 18

g339711

- |   |                   |
|---|-------------------|
| 1. Auswurfrohr, gekrümmtes Ende                 | 4. Stift          |
| 2. Öffnung in der Abdeckung des Heckfangsystems | 5. Gummihalterung |
| 3. Auswurfrohr, breites Ende                    |                   |

2. Schieben Sie das breite Ende des Auswurfrohrs über das Ende des Auswurfkanals. Schieben Sie die Gummihalterung auf den Auswurfkanal, bis sie über dem Stift am Auswurfrohr einrastet, und der Auswurfkanal befestigt ist (Bild 18).
3. Schließen Sie nach der Montage des Heckfangsystems das Zündkabel an die Zündkerzen an.

## Betrieb

**Hinweis:** Bestimmen Sie die linke und rechte Seite der Maschine anhand der üblichen Einsatzposition.

### ⚠️ WARNUNG:

Halten Sie folgende Maßnahmen ein, um Personenverletzungen zu vermeiden.

- Machen Sie sich mit allen Betriebs- und Sicherheitsanweisungen in der *Bedienungsanleitung* des Mähers vertraut, bevor Sie dieses Zusatzgerät verwenden.
- Nehmen Sie das Auswurfrohr, die Körbe, die Abdeckung des Heckfangsystems oder den Auswurfkanal nie bei laufendem Motor ab.
- Schalten Sie den Motor immer ab, und warten Sie, bis alle beweglichen Teile zum Stillstand gekommen sind, bevor Sie Verstopfungen vom Heckfangsystem entfernen.
- Führen Sie nie bei laufendem Motor Wartungsarbeiten oder Reparaturen durch.

## **⚠️ WARNUNG:**

Wenn das Ablenkblech, die Heckfangsystemrohre oder das komplette Heckfangsystem nicht montiert sind, sind die Bedienungsperson und umstehende Personen der Gefahr eines Kontakts mit dem Schnittmesser und ausgeschleuderten Gegenständen ausgesetzt. Kontakt mit einem sich drehenden Schnittmesser oder ausgeschleuderten Gegenständen führt zu ggf. tödlichen Verletzungen.

- Montieren Sie immer das Ablenkblech, wenn Sie das Heckfangsystem abnehmen und den Seitenauswurf verwenden.
- Wechseln Sie das Ablenkblech sofort aus, wenn es beschädigt ist. Das Ablenkblech lenkt das Material zur Rasenfläche.
- Stecken Sie nie Hände oder Füße unter den Rasenmäher.
- Versuchen Sie nie, den Auswurfbereich zu räumen oder die Schnittmesser zu reinigen, ohne den Zapfwellenantrieb auszukuppeln und den Zündschlüssel auf Aus zu drehen. Ziehen Sie außerdem den Schlüssel und den Stecker von den Zündkerzen ab.
- Stellen Sie den Motor ab, bevor Sie Verstopfungen aus dem Auswurfkanal entfernen.

## Entleeren der Grasfangkörbe

### **⚠️ GEFAHR**

Rückstände, wie Laub, Gras oder Grünabfälle können Feuer fangen. Ein Brand im Motorraum kann schwere Verletzungen und Sachschäden verursachen.

- Halten Sie den Motor und Auspuff von Rückständen frei.
- Passen Sie beim Öffnen der Baggerabdeckung auf, dass keine Rückstände in den Motor- und Auspuffbereich fallen.
- Lassen Sie die Maschine abkühlen, bevor Sie sie einlagern.

Passen Sie beim Anheben oder Handhaben eines vollen Grasfangkorbs auf. So entleeren Sie die Grasfangkörbe:

1. Stellen Sie die Maschine auf einer ebenen Fläche ab und kuppeln Sie den Zapfwellenantriebsschalter aus.
2. Schieben Sie die Fahrtriebshebel nach außen in die arretierte Neutral-Stellung, stellen Sie den Motor ab, ziehen Sie den Schlüssel ab, aktivieren Sie die Feststellbremse und verlassen Sie erst die Bedienungsposition, wenn alle beweglichen Teile zum Stillstand gekommen sind.
3. Heben Sie die Abdeckung des Heckfangsystems an (Bild 19).

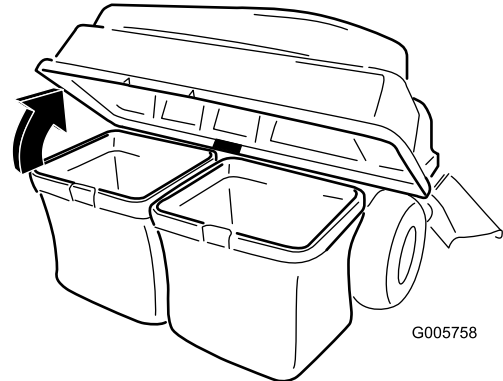


Bild 19

g005758

4. Drücken Sie das Schnittgut in die Körbe zurück. Heben Sie mit beiden Händen den Korb an und haken Sie ihn aus der Halterung aus. Leeren Sie den Grasfangkorb. Wiederholen Sie diese Schritte für den anderen Grasfangkorb.

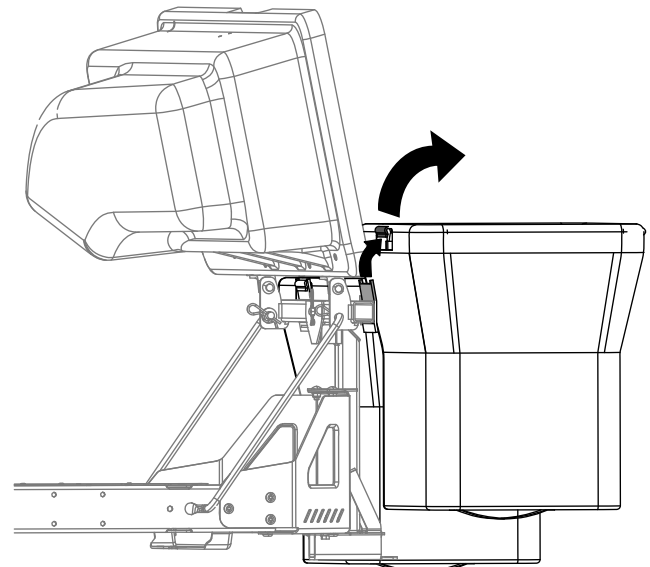


Bild 20

g300218

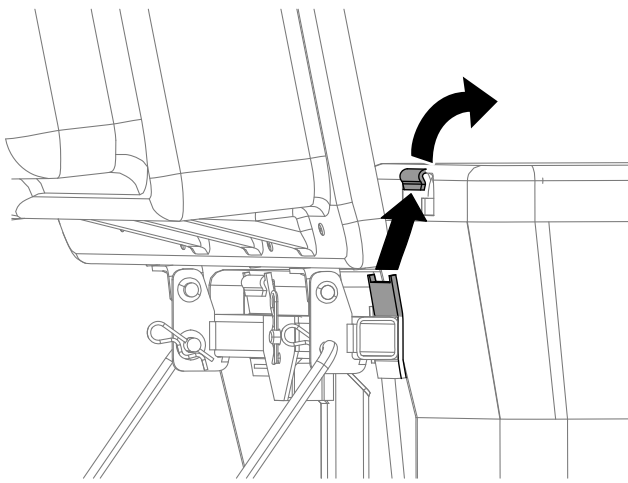


Bild 21

g300217

5. Setzen Sie die Grasfangkörbe ein. Schieben Sie die Korbhaken auf die Befestigungshalterungen.
6. Senken Sie die Abdeckung des Heckfangsystems auf die Körbe ab.

## Entfernen von Verstopfungen vom Heckfangsystem

### ⚠️ WARNUNG:

Wenn das Heckfangsystem eingesetzt wird, dreht sich das Gebläse und kann die Hände oder Finger verletzen oder amputieren.

- Stellen Sie vor der Durchführung von Einstell-, Reinigungs-, Instandsetzungs- und Prüfarbeiten am Gebläse sowie vor dem Entfernen einer Verstopfung im Auswurfkanal den Motor ab und warten Sie, bis alle beweglichen Teile zum Stillstand gekommen sind. Ziehen Sie den Zündschlüssel ab.
  - Entfernen Sie Verstopfungen im Gebläse und im Rohr mit einem Stab und niemals mit der Hand.
  - Halten Sie Gesicht, Hände, Füße und andere Körperteile oder Kleidungsstücke von verborgenen, sich bewegenden oder sich drehenden Teilen fern.
1. Stellen Sie die Maschine auf einer ebenen Fläche ab und kuppeln Sie den Zapfwellenantriebsschalter aus.
  2. Schieben Sie die Fahrtriebshebel nach außen in die arretierte Neutral-Stellung, stellen den

Motor ab, ziehen Sie den Schlüssel ab, aktivieren die Feststellbremse und verlassen Sie erst den Sitz, wenn alle beweglichen Teile zum Stillstand gekommen sind.

3. Prüfen Sie den Füllstand der Körbe und leeren Sie sie, wenn die Grasfangkörbe voll sind.
4. Nehmen Sie das Auswurfrohr und den Auswurfkanal von der Abdeckung des Heckfangsystems und dem Mähwerk ab. Entfernen Sie mit einem Stock oder einem ähnlichen Objekt die Verstopfungen vom Mähwerk, dem Auswurfrohr, dem Auswurfkanal und der Abdeckung des Heckfangsystems.
5. Bauen Sie nach dem Entfernen der Verstopfungen das Heckfangsystem wieder zusammen und setzen Sie die Arbeit fort.

## Abnehmen des Heckfangsystems

### ⚠️ ACHTUNG

Wenn Sie den Ballast des vorderen Fangsystems nicht abnehmen und die Maschine ohne Fangsystem einsetzen, kann eine Instabilität auftreten, die zu einem Kontrollverlust führt.

- Nehmen Sie immer den vorderen Ballast ab, wenn Sie das Fangsystem entfernen.
- Setzen Sie die Maschine nie ohne Fangsystem mit montiertem vorderen Ballast ein.

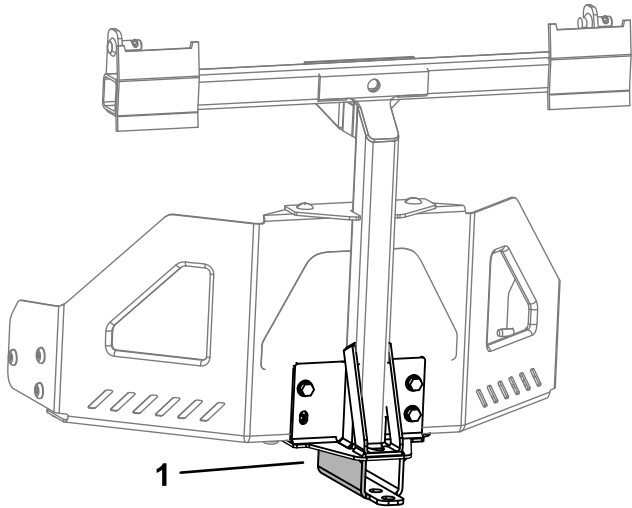
Das Heckfangsystem kann abgenommen werden, indem Sie die Schritte in den Setupabschnitten für alle Kits in umgekehrter Reihenfolge ausführen. Wenn Ballast montiert ist, müssen Sie den Frontballast am Heckfangsystem immer entfernen, wenn Sie Heckfangsysteme entfernen.

**Hinweis:** Wenn Sie wieder in den Seitenauswurfmodus wechseln, entfernen Sie das Grasfangablenkblech und installieren Sie das ursprüngliche Versatzablenkblech und Seitenauswurfkanal, die mit der Maschine geliefert wurden.

# Verwenden der Zugstange

Die Stützhalterung des Heckfangsystems hat eine Zugstange, die für das Abschleppen verwendet werden kann.

- Lesen und verstehen Sie alle Bedienungsanleitungen für die Maschine.
- Verlangsamen Sie die Geschwindigkeit beim Wenden und halten Sie einen Sicherheitsabstand.
- Wenden Sie großzügig, damit geschleppte Geräte nicht das Zugfahrzeug berühren.
- Wenn die Zugstange überlastet ist, kann das hydrostatische Getriebe ausfallen.



**Bild 22**

g300210

1. Stützhalterung des Heckfangsystems mit Zugstange

# Betriebshinweise

## Tipps für die Verwendung des Heckfangsystems

### Denken Sie immer an die Größe

Vergessen Sie nicht, dass die Zugmaschine mit diesem montierten Anbaugerät länger und breiter ist. Wenn Sie in geschlossenen Flächen zu scharf wenden, wird das Anbaugerät ggf. beschädigt.

### Mähen

Mähen Sie immer mit der linken Seite der Zugmaschine. Mähen Sie nicht mit der rechten Seite des Mähwerks, da Sie den Auswurfkanal und das Auswurfrohr des Heckfangsystems beschädigen könnten.

### Schnitthöhe

Stellen Sie die Schnitthöhe nicht zu niedrig ein, da ggf. keine Luft unter das Mähwerk in das Heckfangsystem gelangt, wenn das Mähwerk von langem Gras umgeben ist. Wenn nicht genug Luft unter das Mähwerk gelangt, verstopft das Heckfangsystem.

### Schnitthäufigkeit

Schneiden Sie das Gras oft, besonders wenn es schnell wächst. Sie müssen das Gras zweimal schneiden, wenn es sehr hoch ist.

### Schnittmethoden

Sie erhalten die beste Darstellung des Rasens, wenn das Mähwerk etwas in den letzten Schnittbereich überlappt. Dies reduziert die Motorbelastung und die Wahrscheinlichkeit, dass der Auswurfkanal und das Auswurfrohr verstopfen.

### Heckfangsystemgeschwindigkeit

Sie werden den Gasbedienungshebel des Traktors meistens beim Einsatz des Heckfangsystems in der Stellung Schnell stellen und mit normaler Geschwindigkeit fahren. Wenn das Gras jedoch sehr trocken und staubig ist, sollten Sie weniger Gas geben und die Geschwindigkeit des Traktors erhöhen. Das Heckfangsystem kann ggf. verstopfen, wenn Sie zu schnell fahren, und die Motorgeschwindigkeit zu niedrig wird. Auf Hügeln müssen Sie die Fahrgeschwindigkeit des Traktors ggf. verringern. Dies erhält die Motorgeschwindigkeit und Heckfangsystemleistung. Sie sollten immer (falls möglich) bergabwärts mähen.

## **▲ ACHTUNG**

Wenn sich das Heckfangsystem füllt, wird das hintere Ende der Zugmaschine schwerer. Wenn Sie auf Hügeln plötzlich stoppen und starten, können Sie ggf. die Lenkkontrolle verlieren, oder die Zugmaschine kann umkippen.

- **Starten oder stoppen Sie beim Hangauf-/Hangabfahren nie plötzlich. Vermeiden Sie ein Fahren bergaufwärts.**
- **Wenn Sie die Maschine beim Hinauffahren eines Hanges anhalten, kuppeln Sie den ZWA-Schalter aus. Fahren Sie dann mit geringer Geschwindigkeit hangabwärts.**
- **Vermeiden Sie abruptes Wenden oder ein schnelles Ändern der Geschwindigkeit.**
- **Setzen Sie die Maschine nie ohne Fangsystem mit montiertem vorderen Ballast ein.**

## **Heckfangsystem und hohes Gras**

Sehr langes Gras ist schwer und wird ggf. nicht komplett in die Grasfangkörbe transportiert. Dies führt zum Verstopfen des Auswurfkanals und -rohrs. Vermeiden Sie das Verstopfen des Heckfangsystems, indem Sie das Gras mit einer hohen Schnitthöhe schneiden, und dann das Mähwerk auf die normale Schnitthöhe absenken und das Aufsammeln wiederholen.

## **Heckfangsystem und nasses Gras**

Versuchen Sie immer, das Gras zu schneiden, wenn es trocken ist, da der Rasen dann besser aussieht. Wenn Sie nasses Gras schneiden müssen, sollten Sie den normalen Seitenauswurf des Mähwerks verwenden. Bauen Sie nach ein paar Stunden, wenn das Schnittgut abgetrocknet ist, das komplette Heckfangsystem ein und saugen Sie das Schnittgut auf.

## **Verstopfungszeichen**

Wenn Sie das Heckfangsystem einsetzen, wird ein geringer Teil des Schnittguts normalerweise vorne aus dem Mähwerk geblasen. Wenn zu viel Schnittgut ausgeblasen wird, ist dies ein Zeichen dafür, dass die Grasfangkörbe voll sind oder das System verstopft ist.

# Wartung

**Hinweis:** Bestimmen Sie die linke und rechte Seite der Maschine anhand der üblichen Einsatzposition.

## Empfohlener Wartungsplan

Wartungsintervall	Wartungsmaßnahmen
Nach 10 Betriebsstunden	<ul style="list-style-type: none"><li>• Prüfen Sie das Grasfangsystem.</li></ul>
Bei jeder Verwendung oder täglich	<ul style="list-style-type: none"><li>• Reinigen Sie das Heckfangsystem.</li></ul>
Vor der Einlagerung	<ul style="list-style-type: none"><li>• Prüfen Sie das Grasfangsystem.</li><li>• Reinigen Sie das Heckfangsystem.</li></ul>

### ⚠ ACHTUNG

Wenn Sie den Zündschlüssel im Zündschloss stecken lassen, könnte eine andere Person den Motor versehentlich anlassen und Sie und Unbeteiligte schwer verletzen.

Ziehen Sie vor dem Beginn von Wartungsarbeiten den Zündschlüssel und den Kerzenstecker ab. Schieben Sie außerdem den Kerzenstecker zur Seite, damit er nicht versehentlich die Zündkerze berührt.

### ⚠ WARNUNG:

Der Motor kann beim Betrieb heiß werden. Wenn Sie heiße Oberflächen berühren, können Sie schwere Verbrennungen erleiden.

Fassen Sie den Motor, besonders den Auspuff, erst nach dem Abkühlen an.

### ⚠ WARNUNG:

Rückstände, wie Laub, Gras oder Grünabfälle können Feuer fangen. Ein Brand im Motorraum kann schwere Verletzungen und Sachschäden verursachen.

- Halten Sie den Motor und Auspuff von Rückständen frei.
- Passen Sie beim Öffnen der Baggerabdeckung auf, dass keine Rückstände in den Motor- und Auspuffbereich fallen.
- Lassen Sie die Maschine abkühlen, bevor Sie sie einlagern.

## Prüfen des Heckfangsystems

**Wartungsintervall:** Nach 10 Betriebsstunden  
Vor der Einlagerung

Prüfen Sie das Heckfangsystem nach den ersten 10 Betriebsstunden und dann jeweils monatlich.

1. Prüfen Sie den Auswurfkanal, das Auswurfrohr und die Abdeckung des Heckfangsystems. Tauschen Sie diese Teile aus, wenn sie Risse aufweisen oder kaputt sind.
2. Ziehen Sie alle Schrauben und Muttern an.

3. Prüfen Sie alle Befestigungen und Zungen und wechseln Sie fehlende oder beschädigte aus.
4. Prüfen Sie die Grasfangkörbe auf Verschleiß.



## **⚠️ WARNUNG:**

Sie oder Unbeteiligte können durch herausgeschleuderte oder ausgeworfene Gegenstände, die durch zerrissene, abgenutzte oder verschlissene Grasfangkörbe austreten, schwer verletzt werden.

- **Prüfen Sie die Grasfangkörbe auf Löcher, Risse, Abnutzung oder Verschleiß.**
- **Waschen Sie die Grasfangkörbe nicht.**
- **Wenn der Grasfangkorb verschleißt ist, bauen Sie neue Grasfangkörbe ein, die Sie vom Hersteller dieses Heckfangsystems erhalten.**

## **Prüfen der Schnittmesser**

Prüfen Sie die Schnittmesser regelmäßig, besonders wenn ein Messer einen Fremdkörper berührt.

Bauen Sie neue Messer ein, wenn die Messer sehr abgenutzt oder beschädigt sind. Komplette Anweisungen zur Schnittmesserwartung finden Sie in der *Bedienungsanleitung* des Traktors oder des Mähwerks.

## **Reinigen des Heckfangsystems**

**Wartungsintervall:** Bei jeder Verwendung oder täglich

Vor der Einlagerung

**Hinweis:** Lagern Sie die Grasfangkörbe an einem Ort, an dem sie nach jedem Einsatz ganz austrocknen können. Dies verhindert einen schnellen Verschleiß des Korbmaterials.

1. Nehmen Sie nach jedem Einsatz die Abdeckung des Heckfangsystems, den Auswurfkanal und das Auswurfrohr ab und spritzen Sie die Innenseite und Außenseite der Abdeckung des Heckfangsystems, das Auswurfrohr, den Auswurfkanal und die Unterseite des Mähwerks mit einem Gartenschlauch ab. Festsitzenden Schmutz können Sie mit einem milden Reinigungsmittel entfernen.
2. Sie sollten auf jeden Fall alle Teile von festgeklebtem Gras befreien.
3. Spülen Sie die Grasfangkörbe mit Wasser und entfernen Sie Rückstände mit dem Gartenschlauch.
4. Lassen Sie alle Teile nach dem Reinigen komplett trocknen.

# **Einlagerung**

## **Lagern des Heckfangsystems**

1. Reinigen Sie das Heckfangsystem, siehe [Reinigen des Heckfangsystems \(Seite 19\)](#).
2. Prüfen Sie das Heckfangsystem auf Beschädigungen, siehe [Prüfen des Heckfangsystems \(Seite 18\)](#).
3. Die Grasfangkörbe sollten geleert und ganz trocken sein.
4. Lagern Sie das Heckfangsystem an einem sauberen, trockenen Ort, der keiner direkten Sonneneinstrahlung ausgesetzt ist. Dies schützt die Plastikteile und verlängert die Nutzungsdauer des Heckfangsystems. Decken Sie das Heckfangsystem mit einer wetterfesten Abdeckung ab, wenn Sie es draußen lagern müssen.

# Kalifornien, Proposition 65: Warnung

## Bedeutung der Warnung

Manchmal sehen Sie ein Produkt mit einem Aufkleber, der eine Warnung enthält, die der nachfolgenden ähnelt:



**Warnung: Krebs- und Fortpflanzungsgefahr: [www.p65Warnings.ca.gov](http://www.p65Warnings.ca.gov)**

## Inhalt von Proposition 65

Proposition 65 gilt für alle Firmen, die in Kalifornien tätig sind, Produkte in Kalifornien verkaufen oder Produkte fertigen, die in Kalifornien verkauft oder gekauft werden können. Sie schreibt vor, dass der Gouverneur von Kalifornien eine Liste der Chemikalien pflegt und veröffentlicht, die bekanntermaßen Krebs, Geburtsschäden und/oder Defekte des Reproduktionssystems verursachen. Die Liste, die jährlich aktualisiert wird, enthält zahlreiche Chemikalien, die in vielen Produkten des täglichen Gebrauchs enthalten sind. Proposition 65 soll sicherstellen, dass die Öffentlichkeit über den Umgang mit diesen Chemikalien informiert ist.

Proposition 65 verbietet nicht den Verkauf von Produkten, die diese Chemikalien enthalten, sondern gibt nur vor, dass Warnungen auf dem Produkt, der Produktverpackung oder in den Unterlagen, die demselben beiliegen, vorhanden sind. Außerdem bedeutet eine Warnung im Rahmen von Proposition 65 nicht, dass ein Produkt gegen Standards oder Anforderungen hinsichtlich der Produktsicherheit verstößt. Die Regierung von Kalifornien hat klargestellt, dass eine Proposition 65-Warnung nicht gleich einer gesetzlichen Entscheidung ist, dass ein Produkt „sicher“ oder „nicht sicher“ ist. Viele dieser Chemikalien wurden seit Jahren regelmäßig in Produkten des täglichen Gebrauchs verwendet, ohne dass eine Gefährdung dokumentiert wurde. Weitere Informationen finden Sie unter <https://oag.ca.gov/prop65/faqs-view-all>.

Eine Proposition 65-Warnung bedeutet: (1) Ein Unternehmen hat die Gefährdung evaluiert und ist zu dem Schluss gekommen, dass die Stufe „kein signifikantes Gefahrenniveau“ überschritten wurde. (2) Ein Unternehmen hat entschieden, eine Warnung einfach auf dem Wissen oder dem Verständnis hinsichtlich des Vorhandenseins einer aufgeführten Chemikalie zu geben, ohne die Gefährdung zu evaluieren.

## Geltungsbereich des Gesetzes

Proposition 65-Warnungen werden nur vom kalifornischen Recht vorgeschrieben. Proposition 65-Warnungen werden in ganz Kalifornien in vielen Umgebungen, u. a. in Restaurants, Lebensmittelläden, Hotels, Schulen, Krankenhäusern und für viele Produkte verwendet. Außerdem verwenden einige Online- oder Postversandhändler Proposition 65-Warnungen auf den Websites oder in den Katalogen.

## Vergleich von kalifornischen Warnungen zu Höchstwerten auf Bundesebene

Proposition 65-Standards sind oft strikter als bundesweite oder internationale Standards. Außerdem gibt es zahlreiche Substanzen, die eine Proposition 65-Warnung bei Konzentrationen erfordern, die wesentlich strikter sind als Höchstwerte auf Bundesebene. Beispiel: Die Proposition 65-Norm für Warnungen für Blei liegt bei 0,5 Mikrogramm pro Tag. Dies ist wesentlich strikter als bundesweite oder internationale Standards.

## Warum tragen nicht alle ähnlichen Produkte die Warnung?

- Produkte, die in Kalifornien verkauft werden, müssen die Proposition 65-Warnung tragen; für ähnliche Produkte, die an anderen Orten verkauft werden, ist dies nicht erforderlich.
- Eine Firma, die in einem Proposition 65-Rechtsstreit verwickelt ist und einen Vergleich erzielt, muss ggf. Proposition 65-Warnungen für die Produkte verwenden; andere Firmen, die ähnliche Produkte herstellen, müssen dies nicht tun.
- Die Einhaltung von Proposition 65 ist nicht konsistent.
- Firmen entscheiden ggf. keine Warnungen anzubringen, da dies ihrer Meinung nach gemäß der Proposition 65-Normen nicht erforderlich ist. Fehlende Warnungen für ein Produkt bedeuten nicht, dass das Produkt die aufgeführten Chemikalien in ähnlichen Mengen enthält.

## Warum schließen wir diese Warnung ein?

Wir als Unternehmen haben uns entschieden, Verbrauchern so viel wie möglich Informationen bereitzustellen, damit sie informierte Entscheidungen zu Produkten treffen können, die sie kaufen und verwenden. Wir stellen Warnungen in bestimmten Fällen bereit, basierend auf der Kenntnis über das Vorhandensein aufgeführter Chemikalien ohne Evaluierung des Gefährdungsniveaus, da nicht alle aufgeführten Chemikalien Anforderungen zu Gefährdungshöchstwerten haben. Obwohl die Gefährdung durch unsere Produkte sehr gering ist oder in der Stufe „kein signifikantes Gefahrenniveau“ liegt, sind wir dennoch sehr vorsichtig und haben uns entschieden, die Proposition 65-Warnungen bereitzustellen. Falls wir diese Warnungen nicht bereitstellen, können wir vom Staat Kalifornien oder anderen Privatparteien verklagt werden, die eine Einhaltung von Proposition 65 erzwingen wollen; außerdem können wir zu hohem Schadenersatz verpflichtet werden.

# Système de ramassage de 86 cm

## Tondeuse autoportée à rayon de braquage zéro

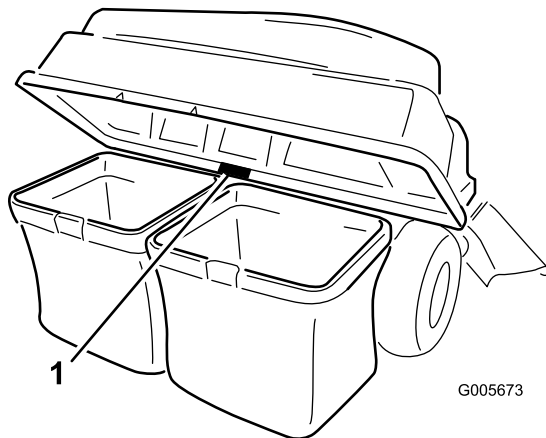
N° de modèle 79417—N° de série 400000000 et suivants

Manuel de l'utilisateur

## Introduction

Lisez attentivement cette notice pour apprendre comment utiliser et entretenir correctement votre produit, et éviter ainsi de l'endommager ou de vous blesser. Vous êtes responsable de l'utilisation sûre et correcte du produit.

Pour obtenir des prestations de service, des pièces d'origine ou des renseignements complémentaires, munissez-vous des numéros de modèle et de série du produit et contactez un concessionnaire-réparateur ou le service client Toro agréé. La [Figure 1](#) indique l'emplacement des numéros de modèle et de série du produit. Inscrivez les numéros dans l'espace réservé à cet effet.



**Figure 1**

1. Emplacement des numéros de modèle et de série

N° de modèle _____
N° de série _____

Les mises en garde de ce manuel soulignent des dangers potentiels et sont signalées par le symbole de sécurité ([Figure 2](#)), qui indique un danger pouvant entraîner des blessures graves ou mortelles si les précautions recommandées ne sont pas respectées.



**Figure 2**

Symbole de sécurité

g000502

Ce manuel utilise deux termes pour faire passer des renseignements essentiels. **Important**, pour attirer l'attention sur des renseignements mécaniques spécifiques et **Remarque**, pour insister sur des renseignements d'ordre général méritant une attention particulière.



## **▲ ATTENTION**

### **CALIFORNIE**

#### **Proposition 65 - Avertissement**

**L'utilisation de ce produit peut entraîner une exposition à des substances chimiques considérées pas l'état de Californie comme capables de provoquer des cancers, des anomalies congénitales ou d'autres troubles de la reproduction.**

# Sécurité

- Familiarisez-vous avec le maniement correct du matériel, les commandes et les symboles de sécurité.
- Soyez particulièrement prudent quand des bacs à herbe ou d'autres accessoires sont montés sur la machine. Ils peuvent modifier la stabilité et les caractéristiques de fonctionnement de la machine.
- Suivez les recommandations du constructeur pour ajouter ou retirer des masses d'équilibrage ou des contrepoids afin d'améliorer la stabilité de la machine.
- N'utilisez pas de bac à herbe sur les pentes à fort pourcentage. Un bac à herbe trop chargé peut être à l'origine de la perte de contrôle et du retournement de la machine.
- Ralentissez et redoublez de prudence sur les pentes. Déplacez-vous toujours dans la direction préconisée sur les pentes. La nature du terrain peut affecter la stabilité de la machine. Soyez particulièrement prudent lorsque vous travaillez à proximité de dénivellations.
- Déplacez-vous à vitesse réduite et progressivement sur les pentes. Ne changez pas soudainement de vitesse ou de direction et ne prenez pas de virages brusques.
- Le bac à herbe peut gêner la visibilité à l'arrière de la machine. Soyez particulièrement prudent lorsque vous faites marche arrière.
- Procédez avec prudence pour charger la machine sur une remorque ou un camion, ainsi que pour la décharger.
- N'utilisez jamais la machine si le déflecteur d'éjection est relevé, déposé ou modifié, sauf si vous utilisez un bac à herbe.
- N'approchez jamais les mains ou les pieds des pièces mobiles. N'effectuez pas de réglages pendant que le moteur tourne.
- Garez la machine sur une surface plane, débrayez toutes les commandes et coupez le moteur avant de quitter la position d'utilisation pour quelque raison que ce soit, y compris pour vider le bac à herbe ou déboucher la goulotte.
- Si vous enlevez le bac à herbe, n'oubliez pas de remettre le déflecteur d'éjection ou la protection éventuellement retirés lors de la mise en place du bac à herbe. N'utilisez pas la machine sans avoir installé le bac à herbe ou le déflecteur au complet.
- Ne laissez pas d'herbe dans le bac à herbe pendant des périodes prolongées.
- Les éléments du bac à herbe peuvent s'user, se détériorer ou être endommagés, et risquent ainsi de vous exposer aux pièces mobiles ou de

# Table des matières

Introduction .....	1
Sécurité .....	2
Consignes de sécurité concernant le remorquage .....	3
Autocollants de sécurité et d'instruction .....	4
Mise en service .....	5
1 Préparation de la machine .....	6
2 Montage des masses.....	6
3 Montage du support de fixation d'accessoire .....	7
4 Pose de la tige de verrouillage.....	8
5 Assemblage du couvercle du système de ramassage .....	9
6 Montage du couvercle du système de ramassage .....	9
7 Montage de la goulotte.....	11
8 Raccordement au tube d'éjection .....	13
Utilisation .....	13
Vider les bacs à herbe .....	14
Élimination des obstructions dans le système de ramassage .....	15
Retrait du système de ramassage.....	15
Utilisation de la barre d'attelage .....	16
Conseils d'utilisation .....	16
Entretien .....	18
Programme d'entretien recommandé .....	18
Contrôle du système de ramassage.....	18
Contrôle des lames de coupe.....	19
Nettoyage du système de ramassage .....	19
Remisage .....	19
Remisage du système de ramassage .....	19

projeter des objets. Contrôlez fréquemment l'état de ces éléments et remplacez-les au besoin par des pièces recommandées par le constructeur.

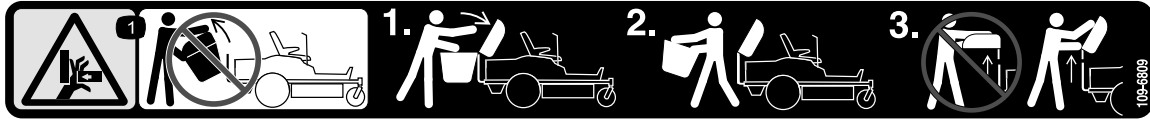
## **Consignes de sécurité concernant le remorquage**

- Le matériel remorqué ne doit être attelé qu'au point d'attelage.
- Suivez les recommandations du fabricant de l'accessoire en ce qui concerne les limites de poids relatives au matériel remorqué et au remorquage sur pentes.
- N'autorisez jamais ni enfants ni adultes à monter sur ou dans le matériel remorqué.
- Le poids du matériel remorqué peut entraîner une perte de la motricité et du contrôle de la machine sur les pentes. Réduisez le poids remorqué et ralentissez.
- La distance d'arrêt augmente avec le poids de la charge remorquée. Conduisez lentement et prévoyez une distance de freinage plus grande que la normale.
- Prenez des virages larges pour ne pas trop rapprocher l'accessoire de la machine.
- Ne remorquez pas de charge de poids supérieur à celui de la machine.

# Autocollants de sécurité et d'instruction



Des autocollants de sécurité et des instructions bien visibles par l'opérateur sont placés près de tous les endroits potentiellement dangereux. Remplacez tout autocollant endommagé ou manquant.



109-6809

decal109-6809

1. Risque d'écrasement des mains – ne retirez pas le système de ramassage complet de la machine ; ouvrez le couvercle et enlevez le(s) bac(s) à herbe. N'enlevez pas le couvercle du système de ramassage quand il est fermé ; ouvrez-le d'abord.



110-6691

decal110-6691

1. Risque de projection d'objets – n'autorisez personne à s'approcher.
2. Risque de projections d'objets par la tondeuse – n'utilisez pas la machine sans le déflecteur, l'obturateur d'éjection ou le système de ramassage.
3. Risque de coupure/sectionnement des mains ou des pieds – ne vous approchez pas des pièces mobiles.

▲ WARNING: Cancer and Reproductive Harm - [www.P65Warnings.ca.gov](http://www.P65Warnings.ca.gov).  
For more information, please visit [www.ttcocaprop65.com](http://www.ttcocaprop65.com)

133-8061

133-8061

decal133-8061

# Mise en service

## Pièces détachées

Reportez-vous au tableau ci-dessous pour vérifier si toutes les pièces ont été expédiées.

Procédure	Description	Qté	Utilisation
<b>1</b>	Aucune pièce requise	–	Préparation de la machine.
<b>2</b>	Boulon (3/8" x 1") Contre-écrou (3/8") Support de montage de masse gauche Support de montage de masse droite Rondelle Boulon (5/8" x 2¾") Masse à poignée	4 6 1 1 2 2 8	Montage des masses.
<b>3</b>	Support de stabilisation Boulon de carrosserie (5/16" x 3/4") Contre-écrou (5/16") Vis autotaraudeuse (5/16" x 3/4") Boulon (5/16" x 1") Cadre pivotant Goupille fendue Tige Rondelle	1 2 4 2 2 1 2 2 2	Montage du support de fixation d'accessoire.
<b>4</b>	Tige de verrouillage Goupille fendue	1 1	Pose de la tige de verrouillage.
<b>5</b>	Couvercle du système de ramassage Filtre du système de ramassage	1 1	Assemblage du couvercle du système de ramassage.
<b>6</b>	Bac à herbe Tube supérieur du système de ramassage Support de pivot Boulon (5/16" x 1") Écrou (5/16")	2 1 2 4 4	Montage du couvercle du système de ramassage.
<b>7</b>	Goulotte	1	Montage de la goulotte.
<b>8</b>	Aucune pièce requise	–	Raccordement au tube d'éjection.

# 1

## Préparation de la machine

Aucune pièce requise

### Procédure

1. Garez la machine sur une surface plane et horizontale.
2. Désengagez la commande des lames.
3. Poussez les leviers de commande de déplacement vers l'extérieur à la position de VERROUILLAGE AU POINT MORT pour serrer le frein de stationnement.
4. Coupez le moteur et enlevez la clé.

# 2

## Montage des masses

Pièces nécessaires pour cette opération:

4	Boulon (3/8" x 1")
6	Contre-écrou (3/8")
1	Support de montage de masse gauche
1	Support de montage de masse droite
2	Rondelle
2	Boulon (5/8" x 2¾")
8	Masse à poignée

### Procédure

#### ⚠ PRUDENCE

Le système de ramassage modifie la répartition du poids de la machine. N'utilisez pas la machine sans les masses avant, car elle pourrait devenir instable et vous pourriez en perdre le contrôle.

Avant d'utiliser la machine avec le système de ramassage, montez toujours les masses avant.

1. Fixez les supports de montage des masses sur le dessous du cadre au moyen de 2 boulons

(3/8" x 1") et 2 contre-écrous (3/8"), comme montré à la Figure 3.

2. Fixez les masses à poignée sur les supports de montage au moyen de 2 boulons (5/8" x 2¾"), 2 rondelles et 2 contre-écrous (3/8"), comme montré à la Figure 4.
3. Une fois les masses et les supports en place, vérifiez que toutes les fixations sont bien serrées. Serrez au besoin.

**Important:** Chaque fois que vous enlevez le système de ramassage, pensez à retirer les masses avant afin de rétablir la stabilité de la machine.

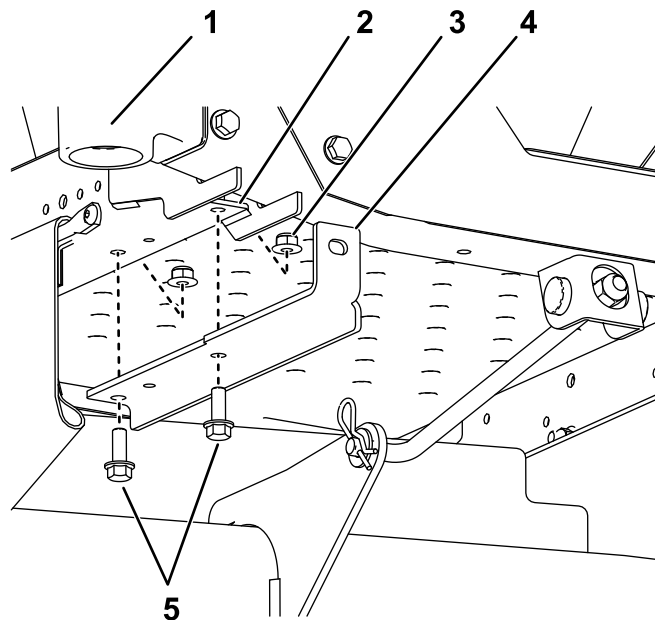
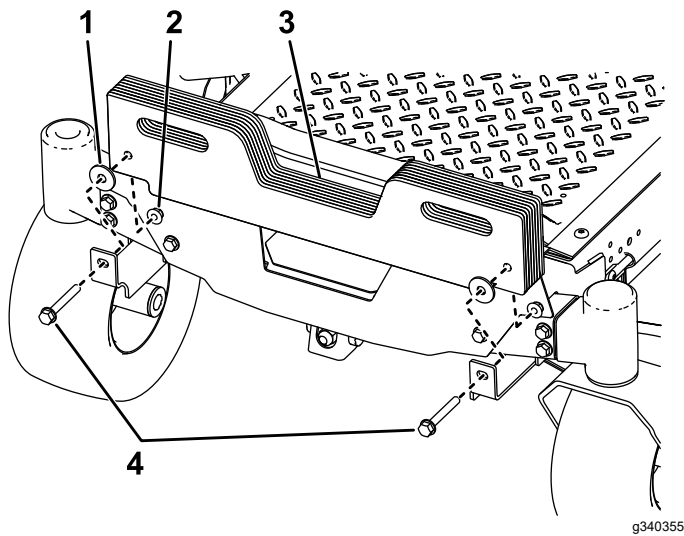


Figure 3

Fourche et roue pivotante non représentées pour plus de clarté

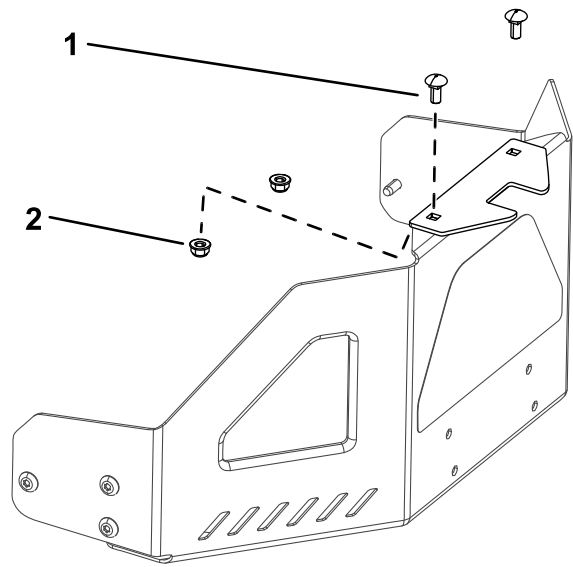
1. Roue pivotante avant droite
2. Trou avant (côté droit montré)
3. Contre-écrou (3/8")
4. Support de montage droit
5. Boulons (3/8" x 1")





**Figure 4**

- |                        |                            |
|------------------------|----------------------------|
| 1. Entretoise          | 3. Masses à poignée        |
| 2. Contre-écrou (3/8") | 4. Boulons (5/8" x 2 3/4") |



**Figure 5**

- |   |                         |
|---|-------------------------|
| 1. Boulon de carrosserie (5/16" x 3/4") | 2. Contre-écrou (5/16") |
|---|-------------------------|

# 3

## Montage du support de fixation d'accessoire

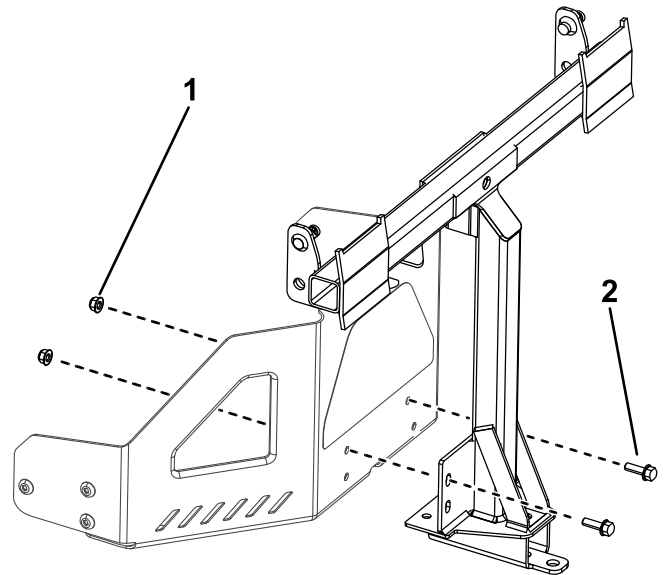
### Pièces nécessaires pour cette opération:

1	Support de stabilisation
2	Boulon de carrosserie (5/16" x 3/4")
4	Contre-écrou (5/16")
2	Vis autotaraudeuse (5/16" x 3/4")
2	Boulon (5/16" x 1")
1	Cadre pivotant
2	Goupille fendue
2	Tige
2	Rondelle

## Montage du support de stabilisation et du cadre pivotant

- Fixez le support de stabilisation à la protection du moteur au moyen de 2 boulons de carrosserie (5/16" x 3/4") et 2 contre-écrous (5/16") (Figure 5).

- Montez le cadre pivotant sur le cadre de la machine comme montré à la Figure 6. Fixez le cadre pivotant à la machine au moyen de 2 boulons (5/16" x 1") et 2 contre-écrous (5/16").



**Figure 6**

- |                         |                        |
|-------------------------|------------------------|
| 1. Contre-écrou (5/16") | 2. Boulon (5/16" x 1") |
|-------------------------|------------------------|

- Fixez le cadre pivotant au bas du cadre de la machine à l'aide de 2 vis autotaraudeuses (5/16" x 3/4"), comme montré à la Figure 7.

# 4

## Pose de la tige de verrouillage

Pièces nécessaires pour cette opération:

1	Tige de verrouillage
1	Goupille fendue

### Procédure

Fixez la tige de verrouillage avec une goupille fendue (Figure 9).

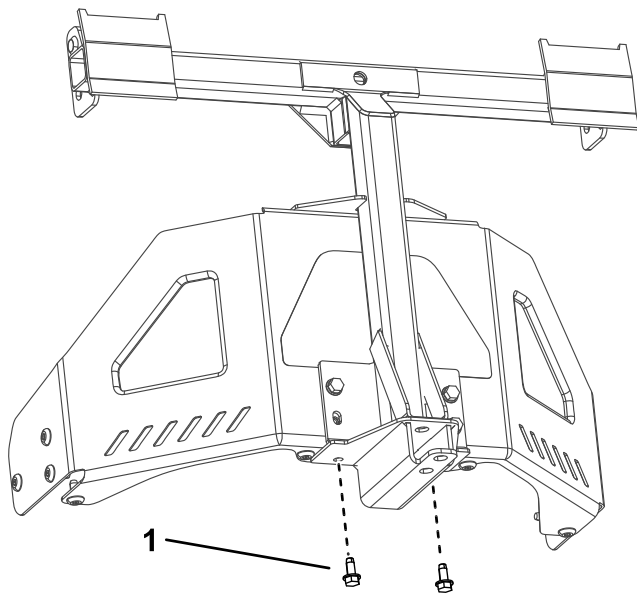


Figure 7

g300206

1. Vis autotaraudeuse (5/16" x 3/4")

4. Placez l'extrémité évasée et coudée d'une tige dans le trou à détrompeur sur le côté gauche du cadre de la machine, et déplacez la tige vers l'arrière pour l'enclencher dans le cadre (Figure 8).

**Remarque:** Répétez cette procédure sur le côté droit de la machine.

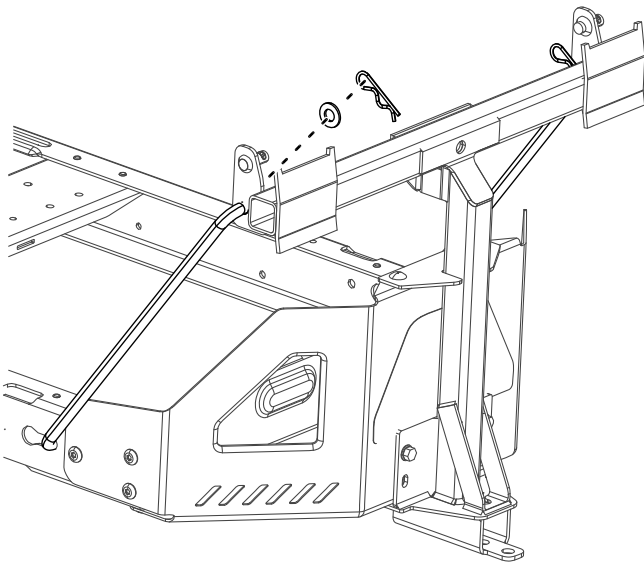


Figure 8

g300207

5. Insérez les extrémités coudées des tiges dans le support de fixation d'accessoire, comme montré à la Figure 8, et fixez-les avec une rondelle et une goupille fendue.

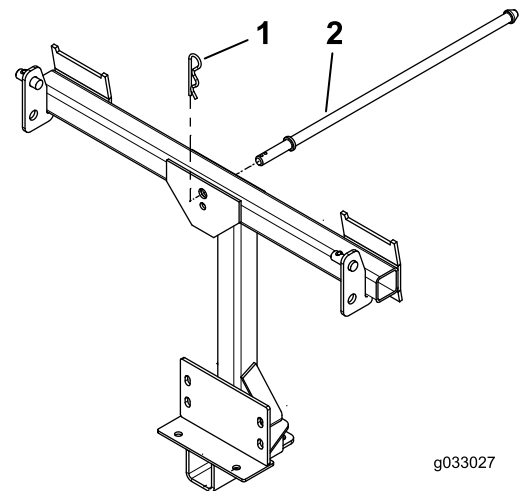


Figure 9

g033027

g033027

1. Goupille fendue

2. Tige de verrouillage

# 5

## Assemblage du couvercle du système de ramassage

Pièces nécessaires pour cette opération:

1	Couvercle du système de ramassage
1	Filtre du système de ramassage

### Procédure

1. Retournez le couvercle du système de ramassage.
2. Montez le filtre comme montré à la [Figure 10](#) de sorte à l'incliner dans la direction des bacs de ramassage.

**Remarque:** Le filtre doit s'engager en position et les languettes doivent s'engager dans le couvercle du système de ramassage.

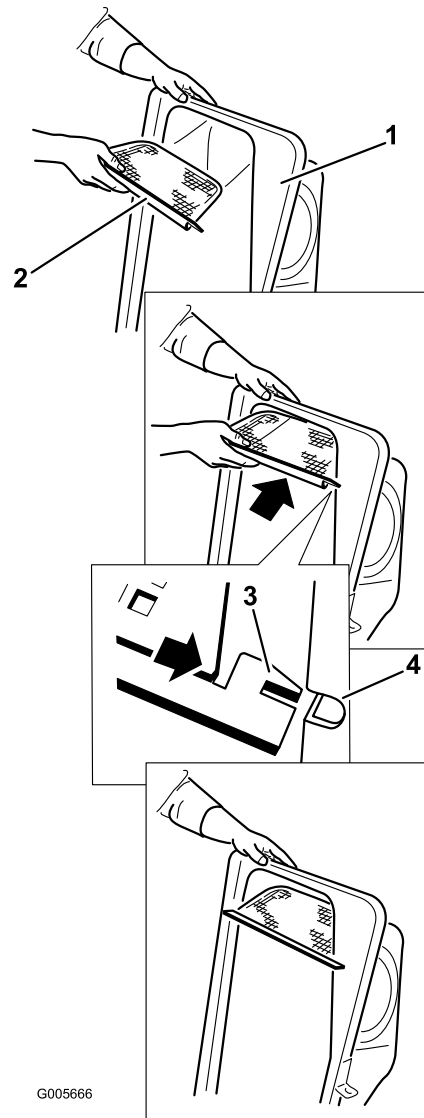


Figure 10

1. Couvercle du système de ramassage
2. Grille
3. Languette du filtre
4. Fente dans le couvercle

# 6

## Montage du couvercle du système de ramassage

Pièces nécessaires pour cette opération:

2	Bac à herbe
1	Tube supérieur du système de ramassage
2	Support de pivot
4	Boulon (5/16" x 1")
4	Écrou (5/16")

### Procédure

1. Montez le couvercle sur le cadre du système de ramassage.
2. Montez les supports de pivot sur le cadre pivotant (Figure 8).
3. Fixez le couvercle du système de ramassage aux supports de pivot au moyen de 4 boulons (5/16" x 1") et 4 écrous (5/16").

**Remarque:** Cette opération s'effectue plus facilement à deux.

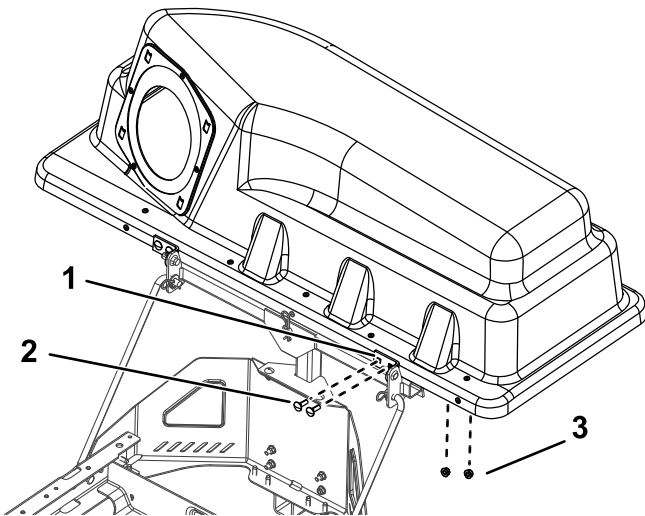


Figure 11

g300208

1. Montants du bac de ramassage
2. Boulons (5/16" x 1")
3. Écrous (5/16")

4. Soulevez le couvercle et installez les bacs en glissant les crochets de l'armature sur les pattes de retenue (Figure 12).

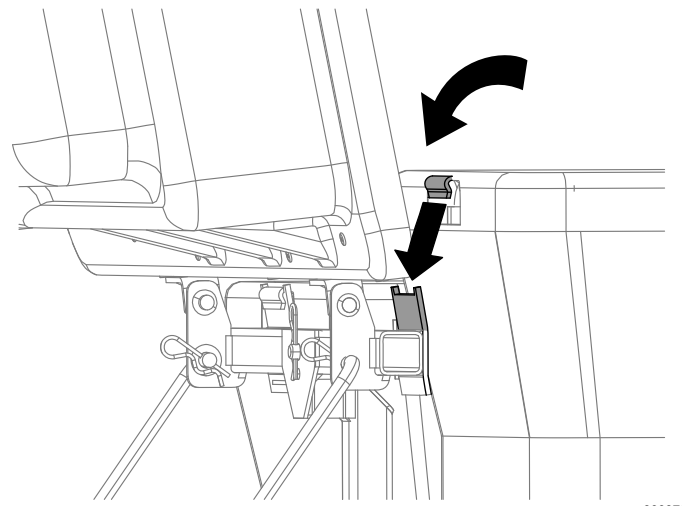


Figure 12

g300378

5. Abaissez le couvercle du système de ramassage sur les bacs (Figure 13).

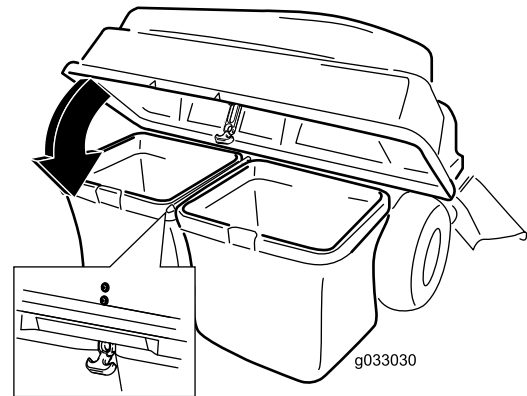


Figure 13

g033030

6. Montez le tube supérieur du système de ramassage en insérant l'extrémité courbe dans l'ouverture du couvercle.

**Remarque:** Vérifiez que l'extrémité évasée dotée de l'ergot de retenue pointe vers le bas et l'avant pour pouvoir s'adapter avec le kit de finition ultérieurement.

# 7

## Montage de la goulotte

Pièces nécessaires pour cette opération:

1	Goulotte
---	----------

### Procédure

1. Déposez le déflecteur d'herbe.

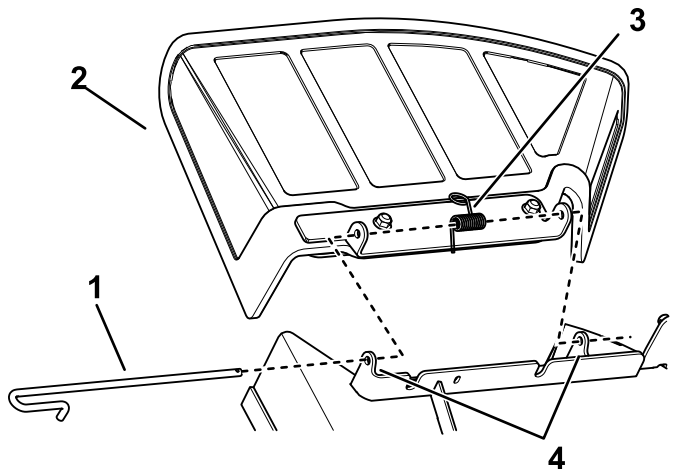


Figure 14

g339025

- |               |                       |
|---------------|-----------------------|
| 1. Tige       | 3. Ressort            |
| 2. Déflecteur | 4. Support de plateau |

2. Basculez la goulotte et insérez la goupille dans le trou sur le plateau de coupe.

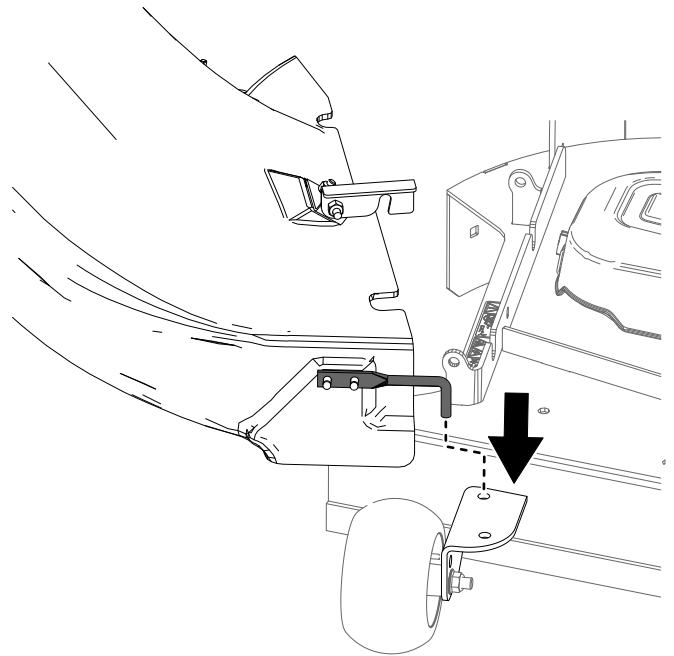


Figure 15

g339061

3. Faites pivoter la goulotte en arrière, pour la mettre de niveau avec le plateau de coupe.

**Remarque:** Écartez le crochet de retenue de la goulotte pour pouvoir ouvrir la goulotte bien à plat contre le plateau.

4. Au sommet de la goulotte, engagez le crochet de verrouillage sur la tige de pivot du déflecteur et insérez la tige dans le trou sur le plateau de coupe.

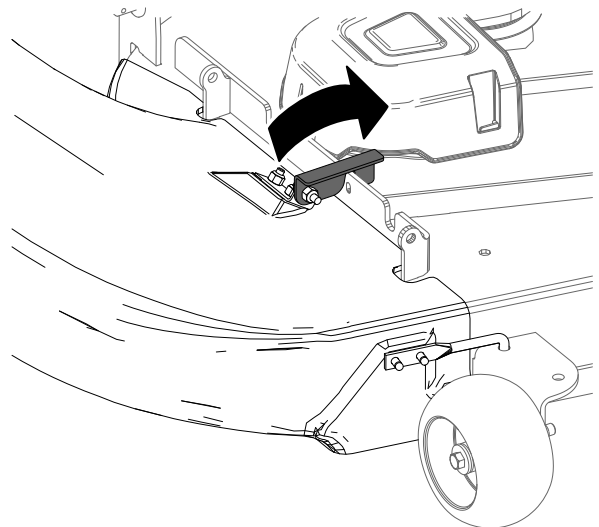


Figure 16

g339060

5. Accrochez le loquet flexible de la goulotte à la gâche de retenue qui est soudée sur le plateau de coupe.

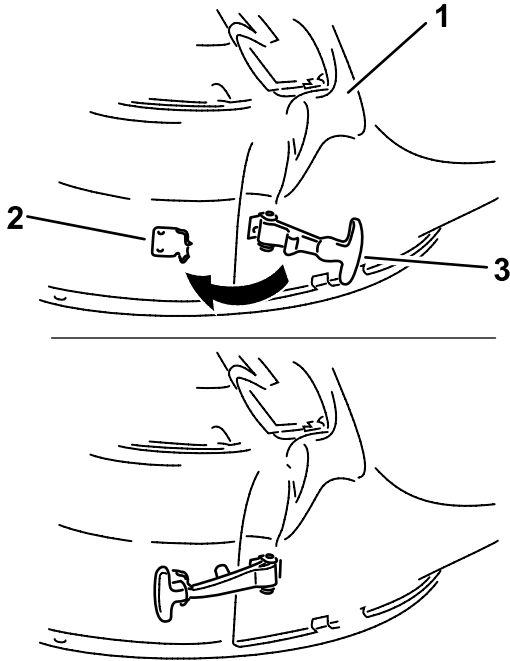


Figure 17

g299268

1. Goulotte  
2. Gâche de retenue  
3. Loquet flexible

## ⚠ ATTENTION

Si le déflecteur d'herbe, les tubes du système de ramassage ou le système de ramassage au complet ne sont pas en place, vous-même ou d'autres personnes peuvent être touchés par une lame ou des débris projetés. Le contact avec des lames en rotation et la projection de débris peuvent occasionner des blessures graves parfois mortelles.

- Montez toujours le déflecteur d'herbe lorsque vous enlevez le système de ramassage et que vous passez au mode éjection latérale.
- Si le déflecteur d'herbe est endommagé, remplacez-le immédiatement. Le déflecteur d'herbe renvoie les débris vers le bas dans la pelouse.
- Ne mettez jamais les mains ou les pieds sous le plateau de coupe.
- N'essayez jamais de dégager l'ouverture d'éjection ou les lames sans avoir au préalable désengagé la prise de force (PDF) et tourné la clé en position Arrêt. Enlevez aussi la clé et débranchez le fil de la ou des bougies.
- Coupez le moteur avant de déboucher la goulotte d'éjection.

# 8

## Raccordement au tube d'éjection

Aucune pièce requise

### Procédure

1. Glissez l'extrémité courbe du tube d'éjection dans l'ouverture du couvercle du système de ramassage (Figure 18).

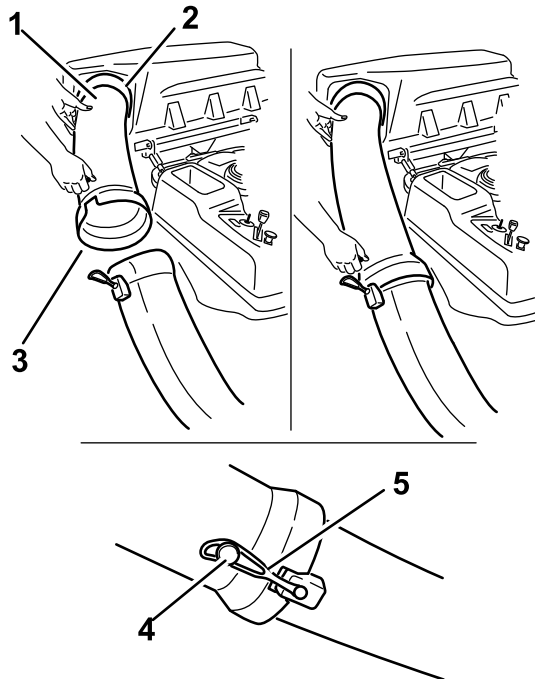


Figure 18

g339711

- |  |                         |
|--|-------------------------|
| 1. Extrémité courbe du tube d'éjection                 | 4. Ergot                |
| 2. Ouverture dans le couvercle du système de ramassage | 5. Sangle en caoutchouc |
| 3. Extrémité évasée du tube d'éjection                 |                         |

2. Glissez l'extrémité évasée du tube d'éjection sur l'extrémité de la goulotte. Accrochez la sangle en caoutchouc de la goulotte à l'ergot situé sur le tube d'éjection pour la fixer en position (Figure 18).
3. Après la mise en place du système de ramassage, connectez le fil de la ou des bougies.

## Utilisation

**Remarque:** Les côtés gauche et droit de la machine sont déterminés d'après la position d'utilisation normale.

### ⚠ ATTENTION

Pour éviter de vous blesser, procédez comme suit :

- Familiarisez-vous avec toutes les instructions d'utilisation et les consignes de sécurité mentionnées dans le *Manuel de l'utilisateur* de la tondeuse avant d'utiliser cet accessoire.
- Ne retirez jamais le tube d'éjection, les bacs, le couvercle du système de ramassage ou la goulotte pendant que le moteur tourne.
- Coupez toujours le moteur et attendez l'arrêt complet de toutes les pièces mobiles avant de dégager une obstruction dans le système de ramassage.
- N'effectuez jamais d'entretiens ou de réparations quand le moteur est en marche.

## ⚠ ATTENTION

Si le déflecteur d'herbe, les tubes du système de ramassage ou le système de ramassage au complet ne sont pas en place, vous-même ou d'autres personnes peuvent être touchés par une lame ou des débris projetés. Le contact avec des lames en rotation et la projection de débris peuvent occasionner des blessures graves parfois mortelles.

- Montez toujours le déflecteur d'herbe lorsque vous enlevez le système de ramassage et que vous passez au mode éjection latérale.
- Si le déflecteur d'herbe est endommagé, remplacez-le immédiatement. Le déflecteur d'herbe renvoie les débris vers le bas dans la pelouse.
- Ne mettez jamais les mains ou les pieds sous le plateau de coupe.
- N'essayez jamais de dégager l'ouverture d'éjection ou les lames sans avoir au préalable désengagé la prise de force (PDF) et tourné la clé en position Arrêt. Enlevez aussi la clé et débranchez le fil de la ou des bougies.
- Coupez le moteur avant de déboucher la goulotte d'éjection.

## Vider les bacs à herbe

### ⚠ DANGER

Des débris (feuilles, herbe ou broussailles) peuvent prendre feu. Un feu dans le compartiment moteur peut causer des brûlures et des dommages matériels.

- Débarrassez le moteur et le silencieux des débris qui y sont déposés.
- Lors de l'ouverture du couvercle du système de ramassage, veillez à ne pas faire tomber de débris sur le moteur et le silencieux.
- Laissez refroidir la machine avant de la remiser.

Soulevez et manipulez toujours les bacs à herbe pleins avec prudence. Pour vider les bacs à herbe :

1. Placez la machine sur une surface plane et désengagez la commande des lames.

2. Écartez les leviers de commande de déplacement vers l'extérieur à la position de verrouillage au point mort, coupez le moteur, enlevez la clé de contact, serrez le frein de stationnement et attendez l'arrêt complet de toutes les pièces mobiles avant de quitter le siège.
3. Ouvrez (soulevez) le couvercle du système de ramassage (Figure 19).

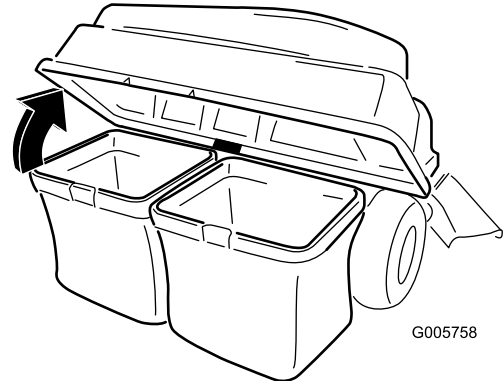


Figure 19

g005758

4. Comprimez les débris d'herbe dans les bacs. Soulevez l'un des bacs à deux mains et décrochez-le de la patte de retenue. Videz le bac. Répétez la procédure avec l'autre bac.

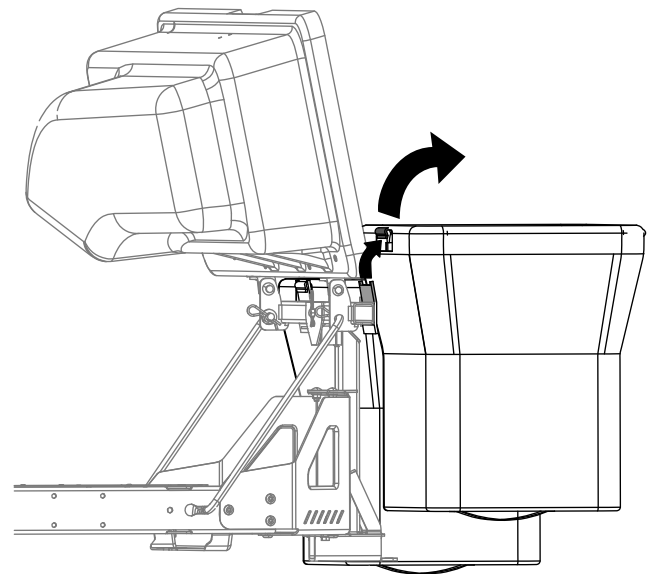


Figure 20

g300218



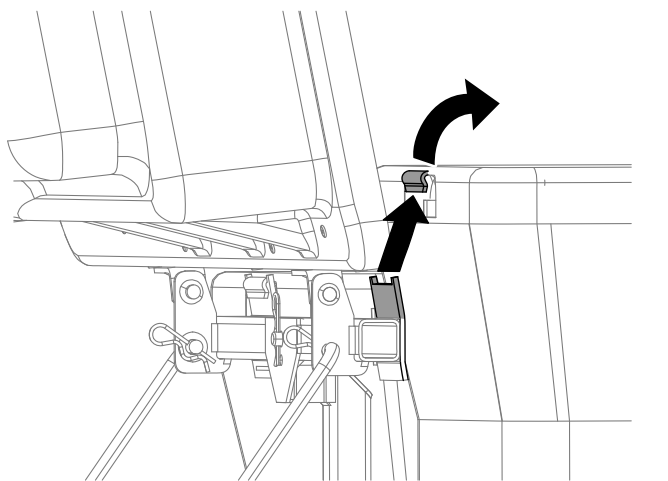


Figure 21

g300217

5. Pour installer les bacs, glissez les crochets de l'armature sur les pattes de retenue.
6. Abaissez le couvercle du système de ramassage sur les bacs.

## Élimination des obstructions dans le système de ramassage

### ⚠ ATTENTION

Lorsque le système de ramassage est en marche, le ventilateur tourne et peut sectionner ou blesser les mains.

- Avant toute opération de nettoyage, réglage ou réparation du ventilateur, et avant de déboucher la goulotte, coupez le moteur et attendez l'arrêt de toutes les pièces mobiles. Enlevez la clé de contact.
  - Si le ventilateur et le tube sont obstrués, dégagez-les à l'aide d'un bâton ou autre objet semblable, jamais avec la main.
  - Gardez le visage, les mains, les pieds et toute autre partie du corps ou les vêtements à distance des pièces cachées, mobiles ou rotatives.
1. Placez la machine sur une surface plane et désengagez la commande des lames.
  2. Écartez les leviers de commande de déplacement vers l'extérieur à la position de verrouillage au point mort, coupez le moteur, enlevez la clé de contact, serrez le frein de

stationnement et attendez l'arrêt complet de toutes les pièces mobiles avant de quitter le siège.

3. Vérifiez les bacs à herbe et videz-les s'ils sont pleins.
4. Retirez et séparez le tube d'éjection et la goulotte du couvercle du système de ramassage et du plateau de coupe. À l'aide d'un bâton ou d'un objet similaire, dégagez soigneusement l'obstruction du plateau de coupe, du tube d'éjection, de la goulotte et du couvercle du système de ramassage.
5. Après avoir éliminé l'obstruction, reposez le système de ramassage complet et remettez la machine en marche.

## Retrait du système de ramassage

### ⚠ PRUDENCE

La machine peut être déstabilisée et vous risquez d'en perdre le contrôle si vous n'enlevez pas les masses avant du système de ramassage et si vous utilisez la machine sans le système de ramassage.

- Enlevez toujours les masses avant quand vous retirez le système de ramassage.
- N'utilisez jamais la machine sans le système de ramassage et en laissant les masses avant en place.

Pour retirer le système de ramassage, inversez les opérations de montage. Si des masses sont montées, déposez toujours les masses avant en même temps que le système de ramassage.

**Remarque:** Lors du retour au mode éjection latérale, déposez le déflecteur de ramassage et reposez le déflecteur d'ouverture et la goulotte d'éjection latérale d'origine qui étaient fournis avec la machine.

# Utilisation de la barre d'attelage

Le support du système de ramassage est équipé d'une barre d'attelage qui peut servir au remorquage.

- Lisez et assimilez toutes les instructions d'utilisation de la machine.
- Lorsque vous changez de direction, ralentissez et respectez la distance d'espacement.
- Prenez des virages larges et n'approchez pas le matériel remorqué du véhicule tracteur.
- Une force de traction excessive peut entraîner la défaillance de la transmission hydrostatique.

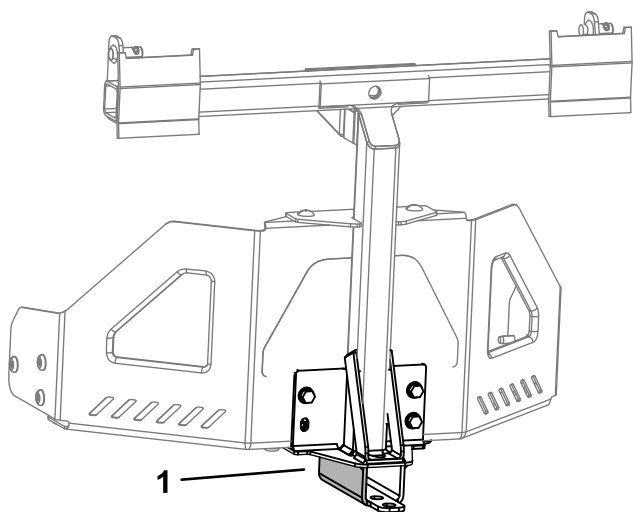


Figure 22

g300210

1. Support de système de ramassage avec barre d'attelage

# Conseils d'utilisation

## Conseils de ramassage

### Ne pas oublier les dimensions

N'oubliez pas que la machine est plus longue et plus large quand cet accessoire est en place. Vous risquez d'endommager l'accessoire si vous tournez dans des endroits trop étroits.

### Tonte des bordures

Tondez toujours les bordures avec le côté gauche du plateau de coupe. N'utilisez pas le côté droit pour tondre les bordures au risque d'endommager la goulotte et le tube d'éjection du système de ramassage.

### Hauteur de coupe

Ne choisissez pas une hauteur de coupe trop basse car l'herbe haute risque d'empêcher l'air de circuler sous le plateau de coupe et dans le système de ramassage. Le système de ramassage va alors se boucher.

### Fréquence de tonte

Coupez l'herbe fréquemment, surtout pendant la saison de pousse. Il faudra tondre l'herbe une deuxième fois si elle est excessivement haute.

### Technique de coupe

Pour obtenir une coupe plus esthétique, empiétez légèrement sur la bande coupée précédemment. Le moteur est ainsi moins sollicité et la goulotte et le tube d'éjection sont moins susceptibles de se boucher.

### Vitesse de ramassage

En général, le ramassage s'effectue en plaçant la commande d'accélérateur en position haut régime et en se déplaçant à vitesse normale. Toutefois, si l'herbe est très sèche et s'il y a beaucoup de poussière, il est préférable de réduire légèrement le régime moteur et d'augmenter la vitesse de déplacement de la tondeuse. Le système de ramassage peut se boucher si vous vous déplacez trop rapidement alors que le régime moteur diminue. Il faut parfois ralentir sur les pentes, pour maintenir le régime moteur et assurer un ramassage efficace. Travaillez dans le sens de la descente chaque fois que cela est possible.

## **▲ PRUDENCE**

À mesure que le système de ramassage se remplit, la charge augmente à l'arrière de la machine. Les arrêts et démarrages brusques sur pente, risquent de vous faire perdre le contrôle de la direction ou de faire basculer la machine.

- **Ne vous arrêtez pas et ne démarrez pas brusquement en montant ou en descendant les pentes. Évitez de démarrer en côte.**
- **Si vous arrêtez la machine alors que vous montez une pente, désengagez la commande des lames. Faites ensuite marche arrière à vitesse réduite.**
- **Ne changez pas soudainement de direction ou de vitesse sur les pentes.**
- **N'utilisez jamais la machine sans le système de ramassage et en laissant les masses avant en place.**

## **Ramassage de l'herbe haute**

L'herbe très haute est lourde et n'est pas toujours projetée complètement dans les bacs. Dans ce cas, le tube d'éjection et la goulotte peuvent se boucher. Pour éviter de boucher le système de ramassage, choisissez une hauteur de coupe élevée pour le premier passage, puis effectuez un deuxième passage à la hauteur de coupe habituelle.

## **Ramassage de l'herbe humide**

Essayez toujours de tondre quand l'herbe est sèche, car la qualité de la coupe en sera améliorée. Si vous devez tondre l'herbe encore humide, utilisez l'éjection latérale classique de la tondeuse. Quelques heures plus tard, quand l'herbe coupée a eu le temps de sécher, montez le système de ramassage complet et ramassez l'herbe.

## **Signes d'obstruction**

Pendant le ramassage, une petite quantité d'herbe est normalement projetée à l'avant de la tondeuse. Si cette quantité devient excessive, cela signifie que les bacs sont pleins ou que le système est obstrué.

# Entretien

**Remarque:** Les côtés gauche et droit de la machine sont déterminés d'après la position d'utilisation normale.

## Programme d'entretien recommandé

Périodicité d'entretien	Procédure d'entretien
Après les 10 premières heures de fonctionnement	<ul style="list-style-type: none"><li>• Contrôlez le système de ramassage.</li></ul>
À chaque utilisation ou une fois par jour	<ul style="list-style-type: none"><li>• Nettoyez le système de ramassage.</li></ul>
Avant le remisage	<ul style="list-style-type: none"><li>• Contrôlez le système de ramassage.</li><li>• Nettoyez le système de ramassage.</li></ul>

### ⚠ PRUDENCE

Si vous laissez la clé dans le commutateur d'allumage, quelqu'un pourrait mettre le moteur en marche accidentellement et vous blesser gravement, ainsi que toute personne à proximité.

Avant tout entretien, enlevez la clé de contact et débranchez le fil de la bougie. Écartez le fil pour éviter tout contact accidentel avec la bougie.

### ⚠ ATTENTION

Le moteur en marche devient très chaud. Vous pouvez vous brûler gravement au contact des surfaces chaudes.

Laissez refroidir le moteur, en particulier le silencieux, avant de le toucher.

### ⚠ ATTENTION

Des débris (feuilles, herbe ou broussailles) peuvent prendre feu. Un feu dans le compartiment moteur peut causer des brûlures et des dommages matériels.

- Débarrassez le moteur et le silencieux des débris qui y sont déposés.
- Lors de l'ouverture du couvercle du système de ramassage, veillez à ne pas faire tomber de débris sur le moteur et le silencieux.
- Laissez refroidir la machine avant de la remiser.

## Contrôle du système de ramassage

**Périodicité des entretiens:** Après les 10 premières heures de fonctionnement

Avant le remisage

Examinez le système de ramassage après les 10 premières heures de fonctionnement, puis une fois par mois.

1. Vérifiez l'état de la goulotte, du tube d'éjection et du couvercle du système de ramassage. Remplacez-les s'ils sont fendus ou cassés.
2. Serrez tous les écrous, boulons et vis.

3. Examinez toutes les fixations et tous les verrous ; remplacez-les s'ils sont absents ou endommagés.

4. Vérifiez l'état des bacs à herbe.

## ⚠ ATTENTION

Des débris peuvent être projetés à travers les bacs à herbe s'ils sont déchirés, usés ou endommagés et blesser gravement les personnes à proximité et vous-même.

- Vérifiez que les bacs à herbe ne sont pas troués, déchirés, usés ou autrement endommagés.
- Ne lavez pas les bacs à herbe.
- Remplacez-les s'ils sont endommagés ; vous pouvez vous procurer des bacs de rechange auprès du fabricant du système de ramassage.

## Contrôle des lames de coupe

Examinez les lames régulièrement, ainsi qu'après avoir heurté un obstacle.

Remplacez les lames si elles sont très usées ou endommagées. Pour la procédure complète d'entretien des lames, reportez-vous au *Manuel de l'utilisateur* du plateau de coupe.

## Nettoyage du système de ramassage

**Périodicité des entretiens:** À chaque utilisation ou une fois par jour

Avant le remisage

**Remarque:** Pour éviter la détérioration rapide du tissu, rangez les bacs de sorte qu'ils sèchent complètement après chaque utilisation.

1. Après chaque utilisation, retirez et lavez au jet d'eau l'intérieur et l'extérieur du couvercle du système de ramassage, du tube d'éjection et de la goulotte, ainsi que le dessous du plateau de coupe. Utilisez un détergent doux pour éliminer les saletés récalcitrantes.
2. Veillez à bien débarrasser toutes les pièces de l'herbe agglomérée.
3. Lavez les bacs à herbe au tuyau d'arrosage pour éliminer tous les débris.
4. Après le lavage, laissez sécher soigneusement toutes les pièces.

## Remisage

### Remisage du système de ramassage

1. Nettoyez le système de ramassage ; voir [Nettoyage du système de ramassage \(page 19\)](#).
2. Vérifiez l'état du système de ramassage ; voir [Contrôle du système de ramassage \(page 18\)](#).
3. Vérifiez que les bacs à herbe sont vides et parfaitement secs.
4. Remisez le système de ramassage dans un local propre et sec à l'abri de la lumière. Cela permet de protéger les pièces en plastique et de prolonger la vie du système de ramassage. Si vous devez remiser le système de ramassage à l'extérieur, recouvrez-le d'une bâche imperméable.

# Proposition 65 de Californie – Information concernant cet avertissement

## En quoi consiste cet avertissement ?

Certains produits commercialisés présentent une étiquette d'avertissement semblable à ce qui suit :



**AVERTISSEMENT : Cancer et troubles de la reproduction –**  
[www.p65Warnings.ca.gov](http://www.p65Warnings.ca.gov).

## Qu'est-ce que la Proposition 65 ?

La Proposition 65 s'applique à toute société exerçant son activité en Californie, qui vend des produits en Californie ou qui fabrique des produits susceptibles d'être vendus ou importés en Californie. Elle stipule que le Gouverneur de Californie doit tenir et publier une liste des substances chimiques connues comme causant des cancers, malformations congénitales et/ou autres troubles de la reproduction. Cette liste, qui est mise à jour chaque année, comprend des centaines de substances chimiques présentes dans de nombreux objets du quotidien. La Proposition 65 a pour objet d'informer le public quant à l'exposition à ces substances chimiques.

La Proposition 65 n'interdit pas la vente de produits contenant ces substances chimiques, mais impose la présence d'avertissements sur tout produit concerné, sur son emballage ou sur la documentation fournie avec le produit. D'autre part, un avertissement de la Proposition 65 ne signifie pas qu'un produit est en infraction avec les normes ou exigences de sécurité du produit. D'ailleurs, le gouvernement californien a clairement indiqué qu'un avertissement de la Proposition 65 « n'est pas une décision réglementaire quant au caractère « sûr » ou « dangereux » d'un produit ». Bon nombre de ces substances chimiques sont utilisées dans des produits du quotidien depuis des années, sans aucun effet nocif documenté. Pour plus de renseignements, rendez-vous sur <https://oag.ca.gov/prop65/faqs-view-all>.

Un avertissement de la Proposition 65 signifie qu'une société a soit (1) évalué l'exposition et conclu qu'elle dépassait le « niveau ne posant aucun risque significatif » ; soit (2) choisi d'émettre un avertissement simplement sur la base de sa compréhension quant à la présence d'une substance chimique de la liste, sans tenter d'en évaluer l'exposition.

## Cette loi s'applique-t-elle de partout ?

Les avertissements de la Proposition 65 sont exigés uniquement en vertu de la loi californienne. Ces avertissements sont présents dans tout l'état de Californie, dans des environnements très variés, notamment mais pas uniquement les restaurants, magasins d'alimentations, hôtels, écoles et hôpitaux, et sur un vaste éventail de produits. En outre, certains détaillants en ligne et par correspondance fournissent des avertissements de la Proposition 65 sur leurs sites internet ou dans leurs catalogues.

## Comment les avertissements de Californie se comparent-ils aux limites fédérales ?

Les normes de la Proposition 65 sont souvent plus strictes que les normes fédérales et internationales. Diverses substances exigent un avertissement de la Proposition 65 à des niveaux bien inférieurs aux limites d'intervention fédérales. Par exemple, la norme de la Proposition 65 en matière d'avertissements pour le plomb se situe à 0,5 µg/jour, soit bien moins que les normes fédérales et internationales.

## Pourquoi l'avertissement ne figure-t-il pas sur tous les produits semblables ?

- Pour les produits commercialisés en Californie, l'étiquetage Proposition 65 est exigé, tandis qu'il ne l'est pas sur des produits similaires commercialisés ailleurs.
- Il se peut qu'une société impliquée dans un procès lié à la Proposition 65 et parvenant à un accord soit obligée d'utiliser les avertissements de la Proposition 65 pour ses produits, tandis que d'autres sociétés fabriquant des produits semblables peuvent ne pas être soumises à cette obligation.
- L'application de la Proposition 65 n'est pas uniforme.
- Certaines sociétés peuvent choisir de ne pas indiquer d'avertissements car elles considèrent qu'elles n'y sont pas obligées au titre de la Proposition 65 ; l'absence d'avertissements sur un produit ne signifie pas que le produit ne contient pas de substances de la liste à des niveaux semblables.

## Pourquoi inclure cet avertissement ?

Nous avons choisi de fournir aux consommateurs le plus d'information possible afin qu'ils puissent prendre des décisions éclairées quant aux produits qu'ils achètent et utilisent. Les avertissements que nous fournissons dans certains cas sont basés sur nos connaissances quant à la présence de l'une ou plusieurs des substances chimiques de la liste, sans évaluer le niveau d'exposition, car des exigences de limites ne sont pas fournies pour tous les produits chimiques de la liste. Bien que l'exposition avec nos produits puisse être négligeable ou parfaitement dans les limites « sans aucun risque significatif », par mesure de précaution, nous avons décidé de fournir les avertissements de la Proposition 65. De plus, en l'absence de ces avertissements, nous nous exposons à des poursuites par l'État de Californie ou par des particuliers cherchant à faire appliquer la Proposition 65, et donc à d'importantes pénalités.

# Bagger van 86 cm

## Zero-turn zitmaaier

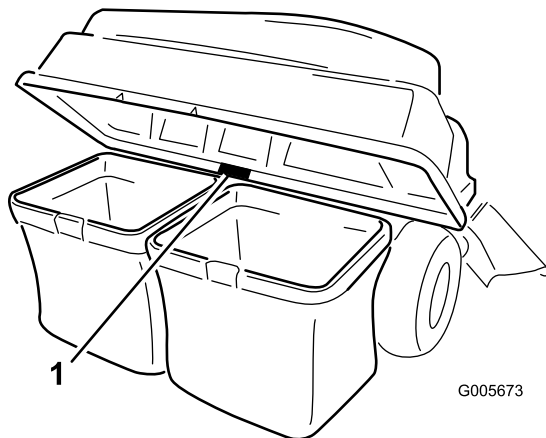
Modelnr.: 79417—Serienr.: 400000000 en hoger

### Gebruikershandleiding

## Inleiding

Lees deze informatie zorgvuldig door, zodat u weet hoe u de machine op de juiste wijze moet gebruiken en onderhouden en om schade aan de machine en letsel te voorkomen. U bent verantwoordelijk voor het juiste en veilige gebruik van de machine.

Als u service, originele onderdelen of aanvullende informatie nodig hebt, kunt u contact opnemen met een erkende servicedealer of met de klantenservice. U dient hierbij altijd het model- en het serienummer van het product te vermelden. De locatie van het plaatje met het modelnummer en het serienummer van het product is aangegeven op [Figuur 1](#). U kunt de nummers noteren in de ruimte hieronder.



**Figuur 1**

1. Plaats van modelnummer en serienummer

<p><b>Modelnr.:</b> _____</p> <p><b>Serienr.:</b> _____</p>
---

Deze handleiding wijst u op mogelijke gevaren en bevat veiligheidswaarschuwingen die u kunt herkennen aan het waarschuwingspictogram ([Figuur 2](#)), dat wijst op een gevaar dat ernstig letsel of de dood kan veroorzaken indien u nalaat de voorgeschreven maatregelen te treffen.



**Figuur 2**

Waarschuwpictogram

g000502

Er worden in deze handleiding twee woorden gebruikt om uw aandacht op bijzondere informatie te vestigen. **Belangrijk** attendeert u op bijzondere technische informatie en **Opmerking** duidt algemene informatie aan die bijzondere aandacht verdient.



## ⚠ WAARSCHUWING

### CALIFORNIË

#### Proposition 65 Waarschuwing

**Gebruik van dit product kan leiden tot blootstelling aan chemische stoffen waarvan de Staat Californië weet dat ze kanker, geboortefwijkingen en andere schade aan het voortplantingssysteem veroorzaken.**

## Inhoud

Inleiding .....	1
Veiligheid .....	2
Veiligheid tijdens het slepen .....	3
Veiligheids- en instructiestickers .....	4
Montage .....	5
1 De machine voorbereiden .....	6
2 De gewichten monteren .....	6
3 Het bevestigingspunt voor werktuigen monteren .....	7
4 De vergrendelstang monteren .....	8
5 Het bovenstuk van de grasvanger assembleren .....	9
6 Het bovenstuk van de grasvanger monteren .....	9
7 Het uitwerpkanaal monteren .....	11
8 Op de afvoerbuis aansluiten .....	13
Gebruiksaanwijzing .....	13
Graszakken leegmaken .....	14
Verstoppen verwijderen uit de grasvanger .....	15
De grasvanger verwijderen .....	15
De trekstang gebruiken .....	16
Tips voor bediening en gebruik .....	16
Onderhoud .....	18
Aanbevolen onderhoudsschema .....	18
De grasvanger controleren .....	18
De maaimessen controleren .....	19
De grasvanger reinigen .....	19
Stalling .....	19
Opslag van de grasvanger .....	19

## Veiligheid

- Zorg ervoor dat u vertrouwd raakt met de bedieningsorganen en de veiligheidssymbolen en dat u weet hoe u de machine veilig kunt gebruiken.
- Wees extra voorzichtig met grasvangers of andere werktuigen. Deze kunnen invloed hebben op de bediening van de machine en deze minder stabiel maken.
- U kunt de stabiliteit verbeteren door wielgewichten of contragewichten toe te voegen of te verwijderen volgens de aanwijzingen van de fabrikant.
- Gebruik op steile hellingen geen grasvanger. Een zware grasvanger kan ervoor zorgen dat u de controle over de machine verliest of de machine doen kantelen.
- Verminder uw snelheid en wees extra voorzichtig op hellingen. Rij op hellingen in de aanbevolen richting. De gazonomstandigheden kunnen van invloed zijn op de stabiliteit van de machine. Wees extra voorzichtig als u dicht in de buurt van een steile helling werkt.
- Voer alle bewegingen op hellingen langzaam en geleidelijk uit. Niet plotseling van snelheid of richting veranderen of bochten te snel inzetten.
- De grasvanger kan het zicht naar achteren belemmeren. Wees extra voorzichtig als u de machine in de achteruitstand bedient.
- Wees voorzichtig als u de machine inlaadt op een aanhanger of een vrachtwagen of uitlaadt.
- Bedien de machine nooit terwijl de grasgeleider omhoog staat, verwijderd of aangepast is, tenzij u een grasvanger gebruikt.
- Houd uw handen en voeten uit de buurt van bewegende onderdelen. Stel de machine niet af terwijl de motor loopt.
- Parkeer de machine op een horizontaal oppervlak, schakel de aandrijvingen uit en schakel de motor uit voordat u de bestuurderspositie verlaat, om welke reden dan ook. Dit geldt ook bij het legen van de grasvanger of het deblokken van de afvoertunnel.
- Als u de grasvanger verwijdert, zorg er dan voor dat de grasgeleider die werd verwijderd om de grasvanger te installeren weer wordt teruggeplaatst. Gebruik de maaimachine nooit zonder de grasgeleider of de complete grasvanger.
- Laat geen gras langere tijd in de grasvanger.
- De onderdelen van de grasvanger kunnen slijten of beschadigd raken, waardoor bewegende delen zichtbaar worden of voorwerpen kunnen worden uitgeworpen. Controleer de onderdelen regelmatig en vervang deze indien nodig. Gebruik



hiervoor onderdelen die door de fabrikant worden aanbevolen.

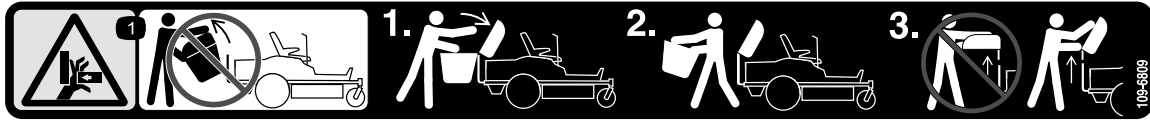
## **Veiligheid tijdens het slepen**

- Bevestig materiaal dat wordt gesleept, uitsluitend aan het sleeppunt.
- Volg de aanwijzing van de fabrikant op met betrekking tot de gewichtslimiet voor sleepwerktuigen en slepen op hellingen.
- Laat kinderen of andere personen nooit plaatsnemen in of op gesleepte werktuigen.
- Op een helling kan het gewicht van een gesleept werktuig ertoe leiden dat de wielen hun grip verliezen en de bestuurder de macht over de machine verliest. Verminder het sleepgewicht en verminder uw snelheid.
- Hoe zwaarder de gesleepte last, hoe langer de stopafstand wordt. Rij langzaam en zorg voor voldoende afstand om te stoppen.
- Maak grote bochten om ervoor te zorgen dat het werktuig de machine niet raakt.
- U mag nooit een lading slepen die zwaarder is dan de sleepmachine.

# Veiligheids- en instructiestickers



Veiligheidsstickers en veiligheidsinstructies zijn gemakkelijk zichtbaar voor de bestuurder en bevinden zich bij plaatsen waar gevaar kan ontstaan. Vervang alle beschadigde of verdwenen stickers.



109-6809

decal109-6809

1. Hands kunnen bekneld raken – Verwijder nooit de complete grasvanger van de machine: open het bovenstuk van de grasvanger en verwijder vervolgens de zak(ken) van de grasvanger. Verwijder nooit het bovenstuk van de grasvanger als dit is gesloten; open het bovenstuk en verwijder dit daarna.



110-6691

decal110-6691

1. Gevaar op weggeslingerde objecten – Houd omstanders op een afstand.
2. Machine kan voorwerpen uitwerpen – Gebruik de machine nooit zonder dat de grasgeleider of het grasopvangsysteem is gemonteerd.
3. Hands of voeten kunnen worden gesneden/geamputeerd – Blijf uit de buurt van bewegende onderdelen.

**⚠ WARNING: Cancer and Reproductive Harm - [www.P65Warnings.ca.gov](http://www.P65Warnings.ca.gov).**  
For more information, please visit [www.tcoCAProp65.com](http://www.tcoCAProp65.com)

133-8061

decal133-8061

133-8061

# Montage

## Losse onderdelen

Gebruik onderstaande lijst om te controleren of alle onderdelen zijn geleverd.

Procedure	Omschrijving	Hoeveelheid	Gebruik
<b>1</b>	Geen onderdelen vereist	–	De machine voorbereiden.
<b>2</b>	Bout ( $\frac{3}{8}$ " x 1") Borgmoer ( $\frac{3}{8}$ " Linker gewichtmontagebeugel Rechter gewichtmontagebeugel Ring Bout ( $\frac{5}{8}$ " x $2\frac{3}{4}$ " Koffergewicht	4 6 1 1 2 2 8	De gewichten monteren.
<b>3</b>	Stabilisatiebeugel Slotbout ( $\frac{5}{16}$ " x $\frac{3}{4}$ " Borgmoer ( $\frac{5}{16}$ " Zelftappende schroef ( $\frac{5}{16}$ " x $\frac{3}{4}$ " Bout ( $\frac{5}{16}$ " x 1") Draaiframe R-pen Stang Ring	1 2 4 2 2 1 2 2 2	Het bevestigingspunt voor werktuigen monteren.
<b>4</b>	Vergrendelstang R-pen	1 1	De vergrendelstang monteren.
<b>5</b>	Bovenstuk van grasvanger Rooster van grasvanger	1 1	Het bovenstuk van de grasvanger assembleren.
<b>6</b>	Graszak Bovenste buis van de grasvanger Draaibeugel Bout ( $\frac{5}{16}$ " x 1") Moer ( $\frac{5}{16}$ "	2 1 2 4 4	Het bovenstuk van de grasvanger monteren.
<b>7</b>	Uitwerpkanaal	1	Het uitwerpkanaal monteren.
<b>8</b>	Geen onderdelen vereist	–	Op de afvoerbuis aansluiten.

# 1

## De machine voorbereiden

Geen onderdelen vereist

### Procedure

1. Parkeer de machine op een horizontaal oppervlak.
2. Schakel de aftakas uit.
3. Zet de rijhendels naar buiten in de VERGRENDELDE NEUTRAALSTAND om de parkeerrem in werking te stellen.
4. Zet de motor af en verwijder het sleuteltje.

# 2

## De gewichten monteren

Benodigde onderdelen voor deze stap:

4	Bout ( $\frac{3}{8}$ " x 1")
6	Borgmoer ( $\frac{3}{8}$ "
1	Linker gewichtmontagebeugel
1	Rechter gewichtmontagebeugel
2	Ring
2	Bout ( $\frac{5}{8}$ " x 2 $\frac{3}{4}$ ")
8	Koffergewicht

### Procedure

#### **⚠ VOORZICHTIG**

De grasvanger verandert de gewichtsverdeling van de machine. Als de machine zonder voorgewichten wordt gebruikt, kan de stabiliteit van de machine in gevaar worden gebracht, waardoor u de controle over de machine kunt verliezen.

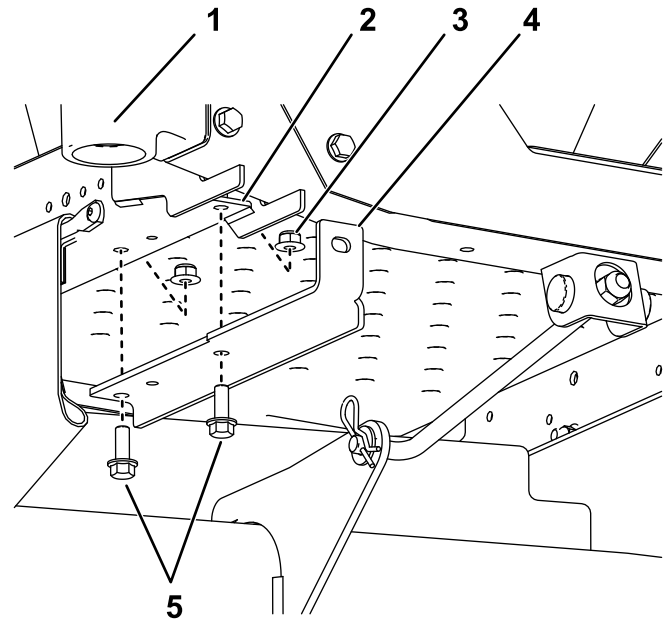
Zorg ervoor dat de voorgewichten op de juiste manier zijn gemonteerd voordat u de machine met de grasvanger in gebruik neemt.

1. Bevestig de gewichtmontagebeugels aan de onderzijde van het frame met behulp van 2

bouten ( $\frac{3}{8}$ " x 1") en 2 borgmoeren ( $\frac{3}{8}$ "), zoals getoond in **Figuur 3**.

2. Monteer de koffergewichten aan de gewichtmontagebeugels met 2 bouten ( $\frac{5}{8}$ " x 2 $\frac{3}{4}$ "), 2 ringen en 2 borgmoeren ( $\frac{3}{8}$ " ) zoals getoond in **Figuur 4**.
3. Zodra u alle gewichten en beugels hebt gemonteerd, controleert u of alle bevestigingen goed vastzitten. Indien nodig vastzetten.

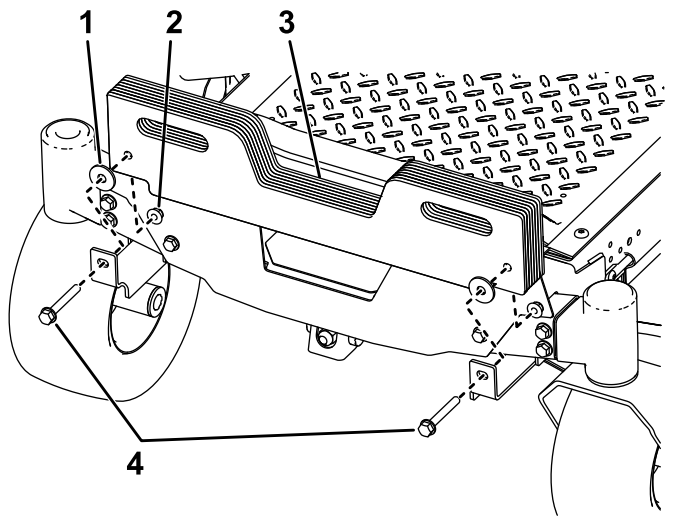
**Belangrijk:** Als u de grasvanger verwijdert, moet u de voorgewichten verwijderen zodat de machine stabiel blijft.



**Figuur 3**

Zwenkwielvork en wiel niet getoond omwille van de duidelijkheid.

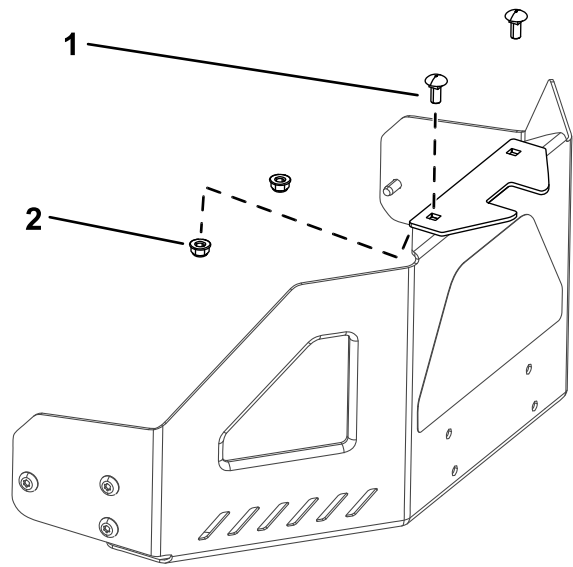
1. Zwenkwiel rechtsvoor
2. Voorste gat (rechterkant afgebeeld)
3. Borgmoer ( $\frac{3}{8}$ "
4. Rechtermontagebeugel
5. Bouten ( $\frac{3}{8}$ " x 1")



**Figuur 4**

g340355

- 1. Afstandstuk
- 2. Borgmoer (3/8")
- 3. Koffergewichten
- 4. Bouten (5/8" x 2 3/4")



**Figuur 5**

g300204

- 1. Slotbout (5/16" x 3/4")
- 2. Borgmoer (5/16")

# 3

## Het bevestigingspunt voor werktuigen monteren

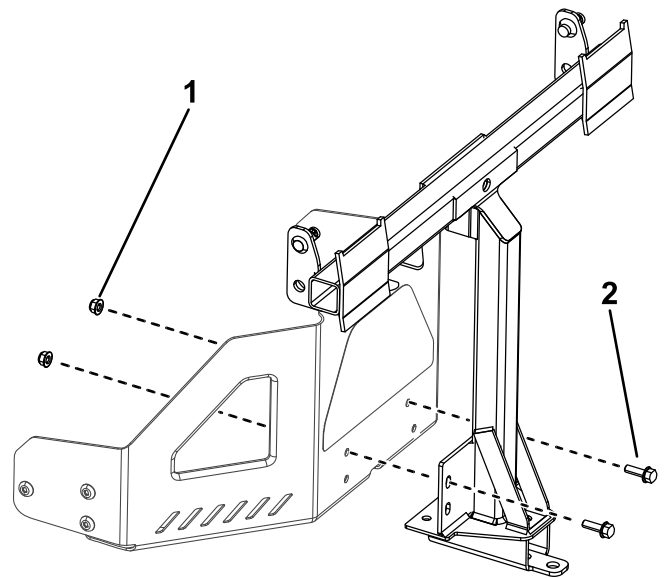
Benodigde onderdelen voor deze stap:

1	Stabilisatiebeugel
2	Slotbout (5/16" x 3/4")
4	Borgmoer (5/16")
2	Zelftappende schroef (5/16" x 3/4")
2	Bout (5/16" x 1")
1	Draaiframe
2	R-pen
2	Stang
2	Ring

## De stabilisatiebeugel en het draaiframe monteren

1. Monteer de stabilisatiebeugel op het motorscherm; gebruik 2 slotbouten (5/16" x 3/4") en 2 borgmoeren (5/16") (Figuur 5).

2. Monteer het draaiframe aan het machineframe zoals getoond in [Figuur 6](#). Monteer het draaiframe op het frame van de machine; gebruik 2 bouten (5/16" x 1") en 2 borgmoeren (5/16").



**Figuur 6**

g300205

- 1. Borgmoer (5/16")
- 2. Bout (5/16" x 1")

3. Bevestig het draaiframe aan de onderzijde van het frame van de machine met behulp van 2 zelftappende schroeven (5/16" x 3/4") zoals getoond in [Figuur 7](#).

# 4

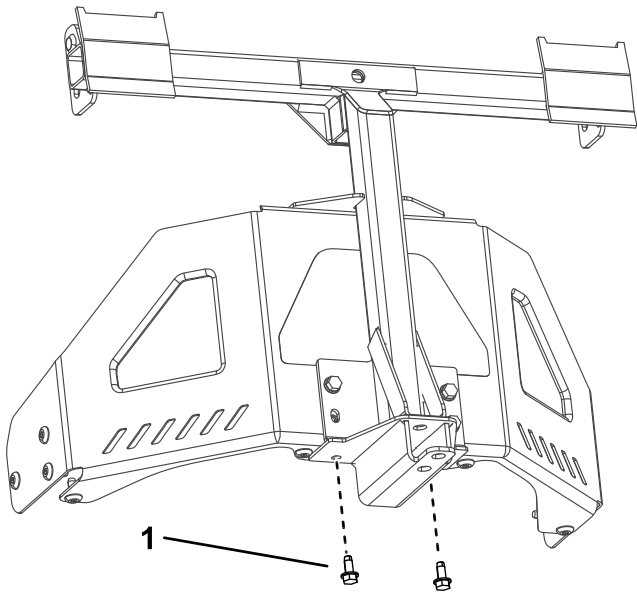
## De vergrendelstang monteren

Benodigde onderdelen voor deze stap:

1	Vergrendelstang
1	R-pen

### Procedure

Monteer de vergrendelstang met een R-pen (Figuur 9).



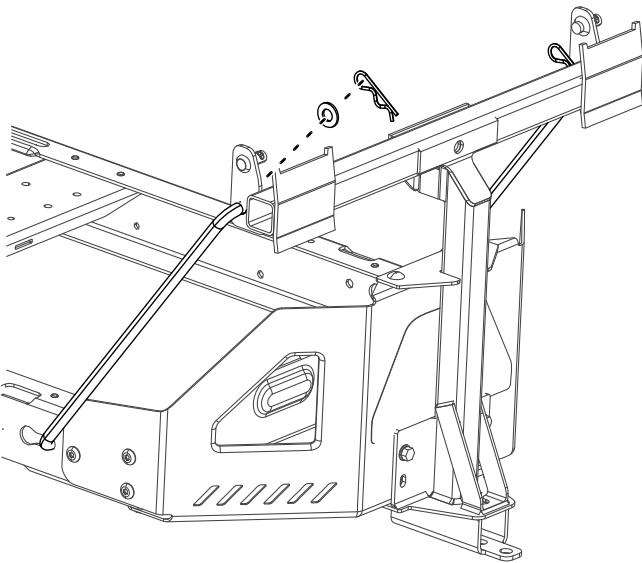
Figuur 7

g300206

1. Zelftappende schroef (5/16" x 3/4")

4. Monteer het gebogen, wijd uitlopend uiteinde van een stang in de sleutelgatvormige opening aan de linkerkant van het machineframe, en duw de stang naar achteren zodat deze in het frame vergrendeld wordt (Figuur 8).

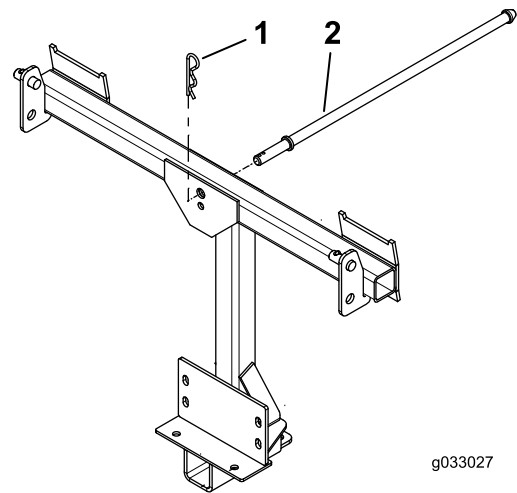
**Opmerking:** Herhaal deze stap aan de rechterzijde van de machine.



Figuur 8

g300207

5. Steek de gebogen uiteinden van de stangen in het bevestigingspunt voor werktuigen zoals getoond in Figuur 8 en bevestig de uiteinden met een ring en een borgpen.



Figuur 9

g033027

g033027

1. R-pen
2. Vergrendelstang

# 5

## Het bovenstuk van de grasvanger assembleren

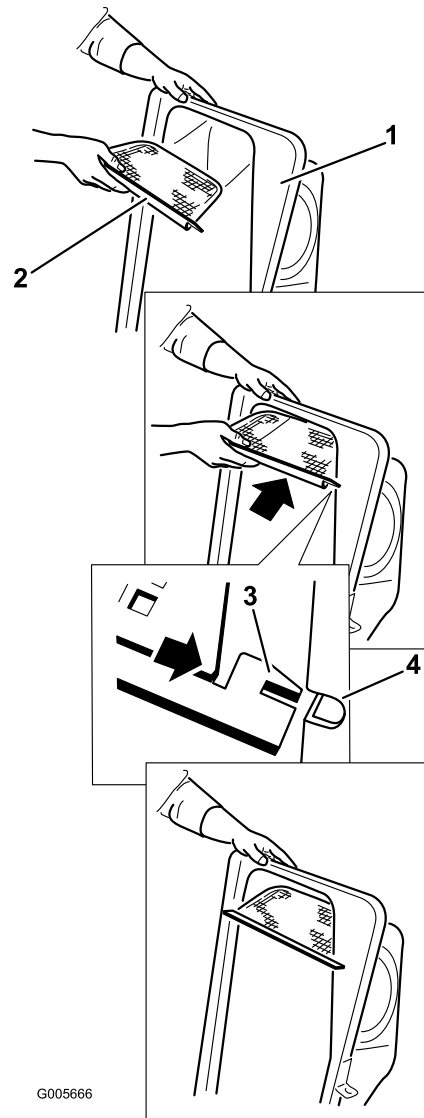
Benodigde onderdelen voor deze stap:

1	Bovenstuk van grasvanger
1	Rooster van grasvanger

### Procedure

1. Draai het bovenstuk van de grasvanger om.
2. Monteer het rooster zoals wordt getoond in [Figuur 10](#) zodat dit afloopt in de richting van de grasvangers.

**Opmerking:** Zorg ervoor dat de roosters vastklikken en de lipjes in het bovenstuk van de grasvanger zitten.



**Figuur 10**

1. Bovenstuk van grasvanger
2. Rooster
3. Lipje van rooster
4. Sleuf in bovenstuk van grasvanger

# 6

## Het bovenstuk van de grasvanger monteren

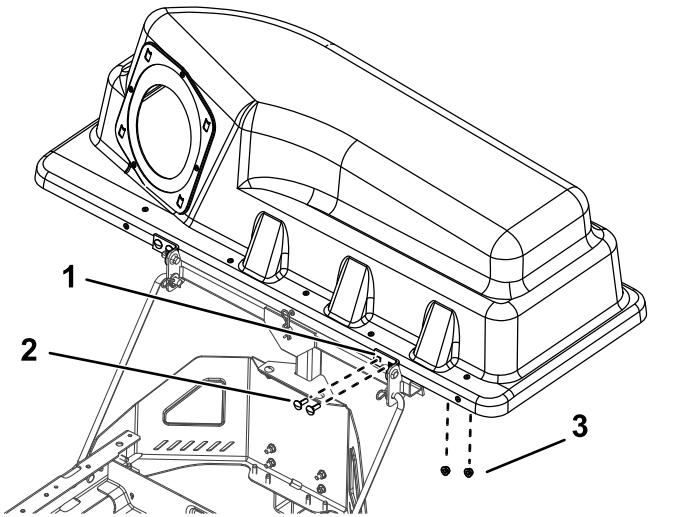
Benodigde onderdelen voor deze stap:

2	Graszak
1	Bovenste buis van de grasvanger
2	Draaibeugel
4	Bout (5/16" x 1")
4	Moer (5/16")

### Procedure

1. Monteer het bovenstuk van de grasvanger aan het frame van de grasvanger.
2. Monteer de draaibeugels aan het draaiframe (Figuur 8).
3. Bevestig het bovenstuk van de grasvanger aan de draaibeugels met 4 bouten (5/16" x 1") en 4 moeren (5/16").

**Opmerking:** Het bovenstuk van de grasvanger kan gemakkelijker worden gemonteerd met twee personen.

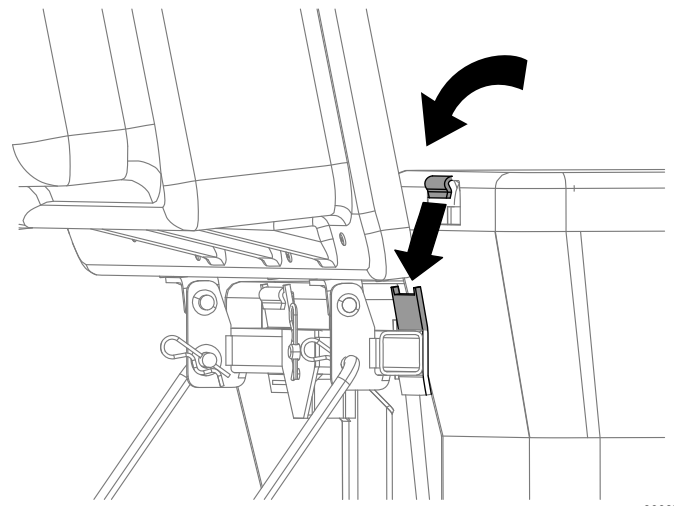


Figuur 11

g300208

1. Steunen van de grasvanger
2. Bouten (5/16" x 1")
3. Moeren (5/16")

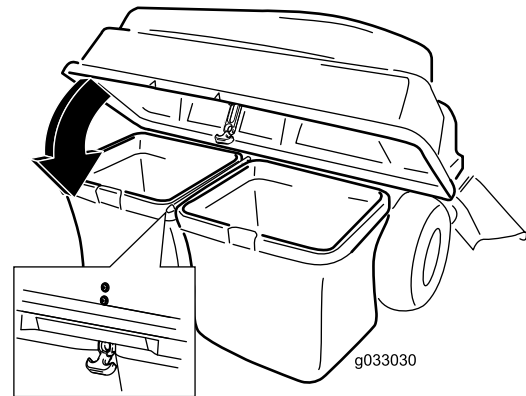
4. Breng het bovenstuk van de grasvanger omhoog en monteer de zakken door de zakframehaken op de bevestigingsbeugels te schuiven (Figuur 12).



Figuur 12

g300378

5. Breng het bovenstuk van de grasvanger omlaag op de zakken (Figuur 13).



Figuur 13

g033030

6. Monteer de bovenste buis van de grasvanger door het gebogen uiteinde in de opening van het bovenstuk van de grasvanger te steken.

**Opmerking:** Zorg ervoor dat het breed uitlopende uiteinde met de retentiesteun omlaag en naar voren wijst zodat deze kan worden aangesloten op de egalisatieset.



# 7

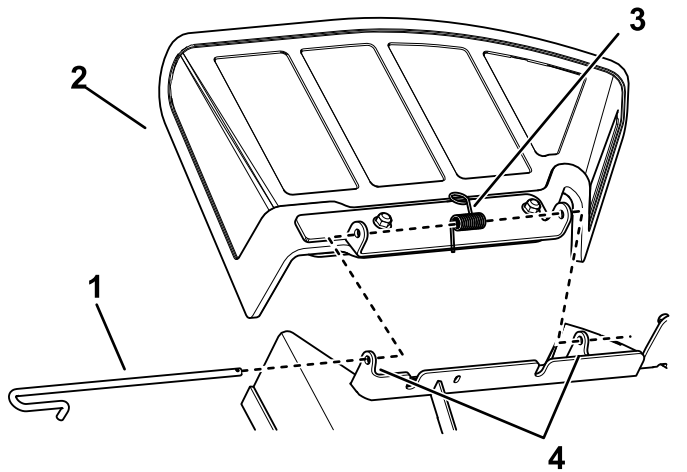
## Het uitwerpkanaal monteren

Benodigde onderdelen voor deze stap:

1	Uitwerpkanaal
---	---------------

### Procedure

1. Verwijder de grasgeleider.

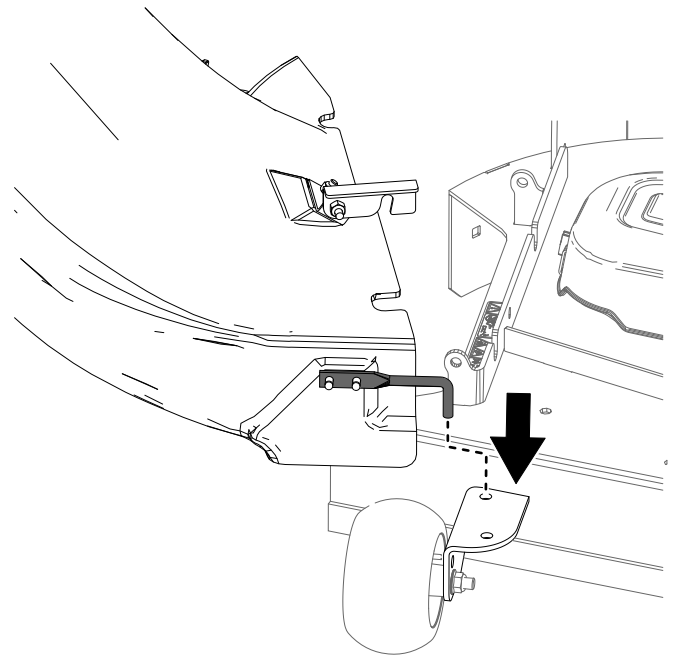


Figuur 14

g339025

- |                 |                           |
|-----------------|---------------------------|
| 1. Stang        | 3. Veer                   |
| 2. Grasgeleider | 4. Beugel van het maaidek |

2. Kantel het uitwerpkanaal en monteer de pen in de opening op het maaidek.



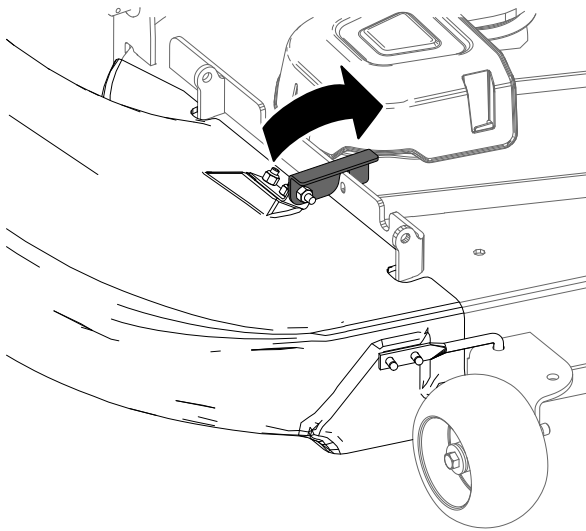
Figuur 15

g339061

3. Draai het uitwerpkanaal naar achteren in de richting van het maaidek zodat het uitwerpkanaal op gelijke hoogte met het maaidek is.

**Opmerking:** Zorg ervoor dat de bevestigingshaak op het uitwerpkanaal niet in de weg staat zodat de opening van het uitwerpkanaal op gelijke hoogte met het maaidek is.

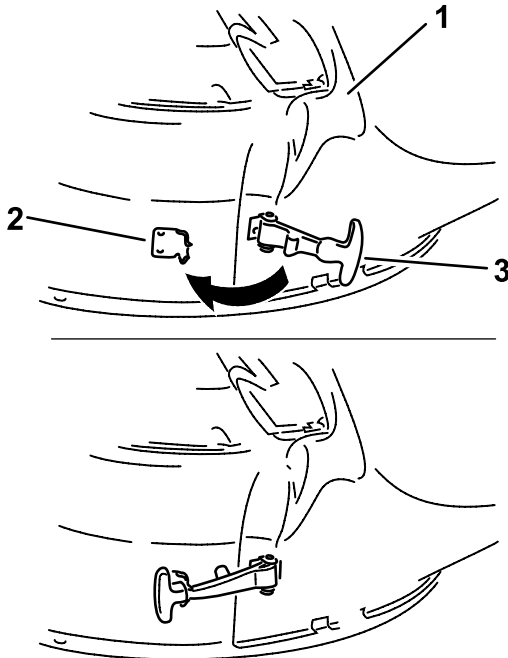
4. Zet de haakvormige vergrendeling op de bovenkant van het uitwerpkanaal vast rond de draaistang van de grasgeleider en monteer de stang in de opening in het maaidek.



**Figuur 16**

g339060

5. Haak de buigbare vergrendeling op het kanaal aan de borgbeugel die aan het maaidek gelast is.



**Figuur 17**

g299268

- |                  |                           |
|------------------|---------------------------|
| 1. Uitwerpkanaal | 3. Buigbare vergrendeling |
| 2. Borgbeugel    |                           |

## **⚠ WAARSCHUWING**

Zonder aangebrachte grasgeleider, buizen of complete grasvanger kunnen u of anderen in aanraking komen met het maaimes of uitgeworpen voorwerpen. Contact met het draaiende maaimes en uitgeworpen voorwerpen kan lichamelijk of dodelijk letsel veroorzaken.

- Monteer altijd de grasgeleiders als u het grasvangsysteem verwijderd en als u overschakelt op zijafvoer.
- Een beschadigde grasgeleider moet direct worden vervangen. De grasgeleider voert maaisel af naar het gazon.
- Steek nooit handen of voeten onder het maaidek.
- Probeer nooit het afvoersysteem of de maaimessen te reinigen zonder eerst de aftakas uit te schakelen en het contactsleuteltje naar de stand Uit te draaien. Verwijder verder het contactsleuteltje en trek de bougiekabel van de bougie(s).
- Zet de motor uit voordat u de afvoertunnel ontstopt.

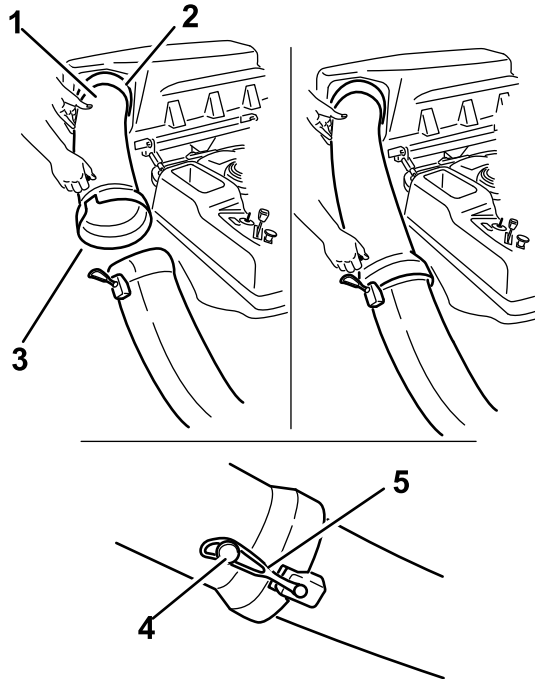
# 8

## Op de afvoerbuis aansluiten

Geen onderdelen vereist

### Procedure

1. Schuif het gebogen uiteinde van de afvoerbuis in de opening in het bovenstuk van de grasvanger (Figuur 18).



Figuur 18

g339711

- |  |                  |
|--|------------------|
| 1. Afvoerbuis, gebogen uiteinde        | 4. Pen           |
| 2. Opening in bovenstuk van grasvanger | 5. Rubberen band |
| 3. Afvoerbuis, wijd uitlopend uiteinde |                  |

2. Schuif het wijd uitlopend uiteinde van de afvoerbuis op het uiteinde van het uitwerpkanaal. Duw de rubberen spanband op de drukbevestigingen van het uitwerpkanaal over de pen van de afvoerbuis om die vast te zetten (Figuur 18).
3. Nadat u de grasvanger gemonteerd hebt, koppelt u de kabel aan op de bougie(s).

# Gebruiksaanwijzing

**Opmerking:** Bepaal vanuit de normale bedieningspositie de linker- en rechterzijde van de machine.

## ⚠ WAARSCHUWING

Om lichamelijk letsel te voorkomen, moet u de volgende richtlijnen in acht nemen:

- Zorg ervoor dat u bekend bent met alle gebruiksaanwijzingen en veiligheidsinstructies in de *Gebruikershandleiding* voor de maaimachine voordat u dit werktuig gaat gebruiken.
- Verwijder nooit de afvoerbuis, zakken, het bovenstuk van de grasvanger of het uitwerpkanaal terwijl de motor loopt.
- Zet altijd de motor af en wacht totdat alle bewegende delen tot stilstand gekomen zijn voordat u een verstopping uit het vangstelsel verwijdert.
- Verricht nooit onderhouds- of reparatiewerkzaamheden terwijl de motor loopt.

## ⚠ WAARSCHUWING

Zonder aangebrachte grasgeleider, buizen of complete grasvanger kunnen u of anderen in aanraking komen met het maaiemes of uitgeworpen voorwerpen. Contact met het draaiende maaiemes en uitgeworpen voorwerpen kan lichamelijk of dodelijk letsel veroorzaken.

- Monteer altijd de grasgeleiders als u het grasvangsysteem verwijdert en als u overschakelt op zijafvoer.
- Een beschadigde grasgeleider moet direct worden vervangen. De grasgeleider voert maaisel af naar het gazon.
- Steek nooit handen of voeten onder het maaidek.
- Probeer nooit het afvoersysteem of de maaimessen te reinigen zonder eerst de aftakas uit te schakelen en het contactsleuteltje naar de stand Uit te draaien. Verwijder verder het contactsleuteltje en trek de bougiekabel van de bougie(s).
- Zet de motor uit voordat u de afvoertunnel ontstopt.

## Graszakken leegmaken

### ⚠ GEVAAR

Afval zoals bladeren, gras of struiken kunnen vlam vatten. Brand in het motorgedeelte kan letsel en materiële schade veroorzaken.

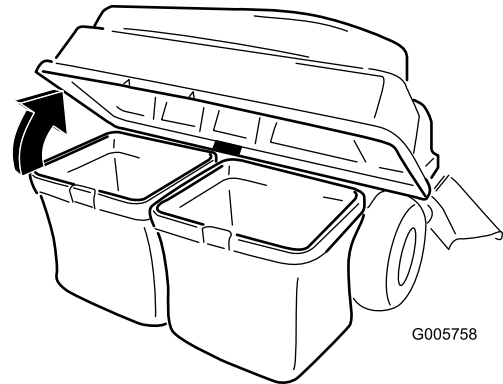
- Zorg ervoor dat er zich geen vuil rond de motor en de geluiddemper verzamelt.
- Pas op dat er bij het openen van de klep van de grasvanger geen afval op de motor en de geluiddemper valt.
- Laat de motor afkoelen voordat u de machine stalt.

Ga voorzichtig te werk als u een volle graszak optilt of leegmaakt. Om de graszakken leeg te maken, gaat u als volgt te werk:

1. Parkeer de machine op een horizontaal oppervlak en schakel de aftakas uit.
2. Zet de rijhendels naar buiten in de vergrendelde neutraalstand, schakel de motor uit, verwijder

het contactsleuteltje, stel de parkeerrem in werking en wacht totdat alle bewegende delen tot stilstand zijn gekomen voordat u de bestuurdersstoel verlaat.

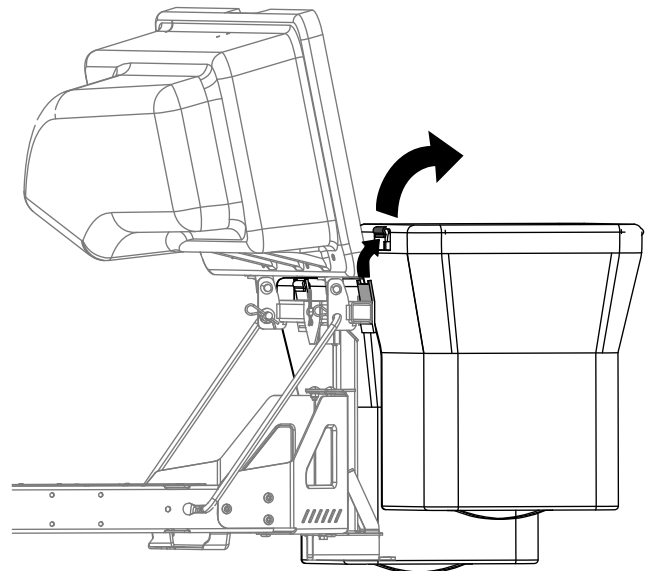
3. Vervolgens moet u het bovenstuk van de grasvanger openen (omhoogbrengen) (Figuur 19).



Figuur 19

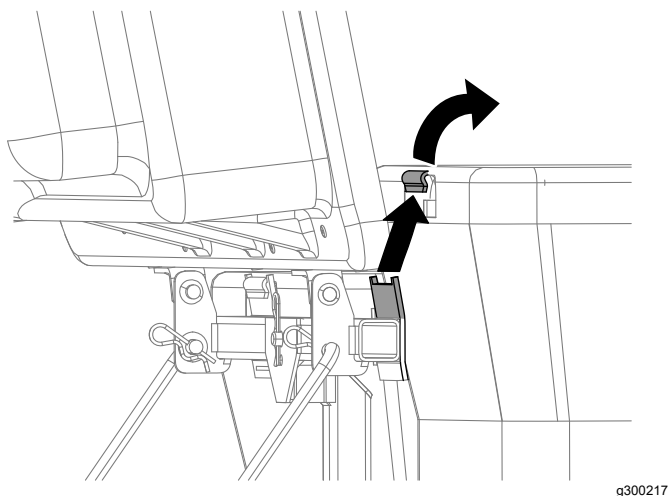
g005758

4. Druk het maaisel in de zakken samen. Til de zak met beide handen omhoog en haak deze los van de bevestigingsbeugel. Maak de zak leeg. Doe hetzelfde met de andere zak.



Figuur 20

g300218



Figuur 21

g300217

5. Plaats de zakken door de zakframehaken op de bevestigingsbeugels te schuiven.
6. Breng het bovenstuk van de grasvanger omlaag op de zakken.

## Verstoppen verwijderen uit de grasvanger

### ⚠ WAARSCHUWING

Tijdens het gebruik van de grasvanger draait de blazer en deze kan uw handen of vingers verwonden of amputeren.

- **Zet de motor af en wacht tot alle bewegende onderdelen tot stilstand zijn gekomen voordat u de blazer instelt, reinigt, repareert of inspecteert. Verwijder het sleuteltje.**
- **Gebruik een stok of een gelijkaardig voorwerp in plaats van uw handen om een verstopping uit de blazer of slang te verwijderen.**
- **Houd uw gezicht, handen, voeten, andere lichaamsdelen en kleding uit de buurt van verborgen, bewegende of draaiende onderdelen.**

1. Parkeer de machine op een horizontaal oppervlak en schakel de aftakas uit.
2. Beweeg de rijkhendels naar buiten in de vergrendelde neutraalstand, schakel de motor uit, verwijder het contactsleuteltje, stel de parkeerrem in werking en wacht totdat alle bewegende delen tot stilstand zijn gekomen voordat u de bestuurdersstoel verlaat.

3. Controleer de grasvangerken en maak deze leeg als ze vol zijn.
4. Verwijder de afvoerbuïs en het uitwerpkanaal van het bovenstuk van de grasvanger en het maaidek. Verwijder voorzichtig met een stok of een soortgelijk voorwerp de verstopping uit het maaidek, de afvoerbuïs, het uitwerpkanaal en het bovenstuk van de grasvanger.
5. Nadat u de verstopping hebt verwijderd, monteert u het complete vangstelsysteem en gaat u verder met maaien.

## De grasvanger verwijderen

### ⚠ VOORZICHTIG

**Als u de voorgewichten van de grasvanger niet verwijderd en de machine zonder grasvanger gebruikt, kan de machine minder stabiel worden, waardoor u de controle over de machine kunt verliezen.**

- **Haal altijd de voorgewichten weg als u de grasvanger verwijderd.**
- **Gebruik de maaimachine nooit zonder grasvanger als de voorgewichten nog op de machine zitten.**

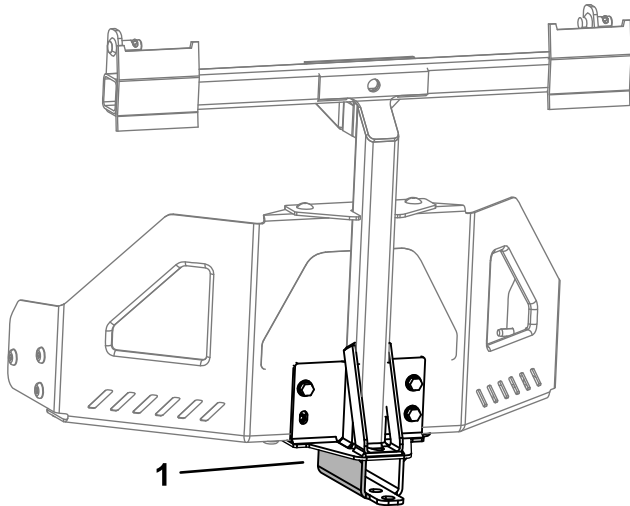
De grasvanger kan worden verwijderd door de installatieprocedures voor alle betreffende sets in omgekeerde volgorde uit te voeren. Als er gewichten zijn gemonteerd, moet u ook de voorgewichten verwijderen als u de grasvanger verwijderd.

**Opmerking:** Wanneer u terug omschakelt naar zijafvoer, moet u het schot van de grasvanger verwijderen en de originele keerplaat en het zijuitwerpkanaal monteren die werden meegeleverd met de machine.

## De trekstang gebruiken

De steunbeugel van de grasvanger is uitgerust met een trekstang waarmee u de machine kunt slepen.

- Lees alle bedieningsinstructies van de machine en zorg ervoor dat u ze begrijpt.
- Vertraag voor de bocht en zorg voor voldoende vrije ruimte.
- Neem brede bochten en hou gesleepte werktuigen uit de buurt van het sleepvoertuig.
- Een te grote kracht op de trekstang kan tot storingen van de hydrostatische transmissie leiden.



g300210

**Figuur 22**

1. Steunbeugel van grasvanger met trekstang

## Tips voor bediening en gebruik

### Tips voor het opvangen

### Rekening houden met de afmetingen van de machine

Denk eraan dat de machine langer en breder is als dit werktuig is gemonteerd. Als u een te scherpe bocht maakt in een besloten ruimte, kunt u de grasvanger beschadigen.

### Trimmen

U moet altijd trimmen met de linkerkant van het maaidek. Trim nooit met de rechterkant van het maaidek omdat u dan het uitwerpkanal van de grasvanger en de afvoerbuïs kunt beschadigen.

### Maaihoogte

Zorg ervoor dat de maaihoogte van het maaidek niet te laag is, want hoog gras rond het maaidek kan verhinderen dat er lucht onder het maaidek komt en in het vangstelsel stroomt. Als er niet voldoende lucht onder het maaidek komt, zal het vangstelsel verstopt raken.

### Maaiïrequentie

U moet het gras veelvuldig maaien, vooral als het snel groeit. U moet het gras twee keer maaien als het te lang wordt.

### Maaiïechniek

Om het gazon een zo fraai mogelijk uiterlijk te geven, moet u het gras maaien in banen die elkaar enigszins overlappen. Dit vermindert de belasting van de motor en beperkt het risico dat het uitwerpkanal en de afvoerbuïs verstopt raken.

### Vangsnelheid

Meestal zult u de grasvanger gebruiken met de gashendel van de maaimachine op Snel en zult u met een normale snelheid rijden. Maar in buitengewoon droge en stoffige omstandigheden zult u wellicht het motortoerental enigszins willen verminderen en de rijsnelheid van de machine verhogen. Het vangstelsel kan verstopt raken als u te snel rijdt en het motortoerental te laag is. Op heuvelachtig terrein kan het noodzakelijk zijn de rijsnelheid van de maaimachine te verminderen. Hierdoor handhaaft u

het motortoerental en blijft het vangstelsel efficiënt werken. Maai heuvelafwaarts als dit mogelijk is.

## **▲ VOORZICHTIG**

**Als de grasvanger vol raakt, komt er extra gewicht op de achterkant van de machine. Als u abrupt stopt en start op een helling, bestaat de kans dat u de controle over het stuur verliest of dat de machine omkantelt.**

- **U mag daarom nooit plotseling starten of stoppen bij het op- en afrijden van een helling. Start de machine nooit hellingopwaarts.**
- **Als u de machine stopt terwijl u hellingopwaarts rijdt, moet u de aftakas uitschakelen. Rij dan langzaam hellingafwaarts.**
- **Verander niet plotseling de rijrichting of de snelheid op hellingen.**
- **Gebruik de maaimachine nooit zonder grasvanger als de voorgewichten nog op de machine zitten.**

## **Lang gras opvangen**

Extreem lang gras is zwaar en wordt mogelijk niet volledig de graszakken in geblazen. Als dit gebeurt, kunnen de afvoerbuis en het uitwerpkanaal verstopt raken. Om verstopping van het vangstelsel te voorkomen, moet u het gras bij een hoge maaistand maaien; vervolgens zet u het maaidek lager in de normale maaistand en kunt u de grasvanger weer gebruiken.

## **Nat gras opvangen**

Wij adviseren u het gras altijd te maaien als het droog is, omdat het gazon dan een keurig uiterlijk krijgt. Als u nat gras maait, moet u de conventionele zijafvoer van het maaidek gebruiken. Als het maaisel een paar uur later droog is, monteert u de complete grasvanger en zuigt u het maaisel op.

## **Tekenen van verstopping**

Als u het gras opvangt, zal normaliter een geringe hoeveelheid maaisel worden uitgeblazen aan de voorzijde van het maaidek. Indien er een buitensporige hoeveelheid maaisel wordt uitgeblazen, duidt dit erop dat de zakken vol zijn of dat het stelsel is verstopt.

# Onderhoud

**Opmerking:** Bepaal vanuit de normale bedieningspositie de linker- en rechterzijde van de machine.

## Aanbevolen onderhoudsschema

Onderhoudsinterval	Onderhoudsprocedure
Na de eerste 10 bedrijfsuren	<ul style="list-style-type: none"><li>• De grasvanger controleren.</li></ul>
Bij elk gebruik of dagelijks	<ul style="list-style-type: none"><li>• De grasvanger reinigen.</li></ul>
Vóór de stalling	<ul style="list-style-type: none"><li>• De grasvanger controleren.</li><li>• De grasvanger reinigen.</li></ul>

### ⚠ VOORZICHTIG

Als u het sleuteltje in het contact laat, bestaat de kans dat iemand de motor per ongeluk start waardoor u en andere omstanders ernstig letsel kunnen oplopen.

Haal het sleuteltje uit het contact en maak de bougiekabel los voordat u onderhoudswerkzaamheden uitvoert aan de machine. Druk de kabel opzij, zodat deze niet onbedoeld contact kan maken met de bougie.

### ⚠ WAARSCHUWING

Een motor kan heet worden terwijl hij draait. Aanraking met hete oppervlakken kan ernstige brandwonden veroorzaken.

Laat de motor en vooral de geluiddemper afkoelen voordat u deze aanraakt.

### ⚠ WAARSCHUWING

Afval zoals bladeren, gras of struiken kunnen vlam vatten. Brand in het motorgedeelte kan letsel en materiële schade veroorzaken.

- Zorg ervoor dat er zich geen vuil rond de motor en de geluiddemper verzamelt.
- Pas op dat er bij het openen van de klep van de grasvanger geen afval op de motor en de geluiddemper valt.
- Laat de motor afkoelen voordat u de machine stalt.

## De grasvanger controleren

**Onderhoudsinterval:** Na de eerste 10 bedrijfsuren  
Vóór de stalling

Controleer de grasvanger na de eerste 10 bedrijfsuren en daarna elke maand.

1. Inspecteer het uitwerpkanal, de afvoerbuï en het bovenstuk van de grasvanger. Vervang deze onderdelen als zij gebarsten of gebroken zijn.
2. Draai alle moeren, bouten en schroeven goed aan.
3. Controleer alle bevestigingen en vergrendelingen; vervang deze als zij ontbreken of beschadigd zijn.
4. Controleer de graszakken op slijtage.

### ⚠ WAARSCHUWING

De bestuurder of omstanders kunnen ernstig letsel oplopen als gevolg van rondvliegende brokstukken of uitgeworpen voorwerpen uit gescheurde, beschadigde of versleten graszakken.

- Controleer de graszakken op gaten, scheuren, slijtage en andere beschadigingen.
- U mag de graszakken niet wassen.
- Als de zak is versleten, moet u een nieuwe graszak plaatsen die verkrijgbaar is bij de fabrikant van deze grasvanger.



## De maaimessen controleren

Controleer de maaimessen regelmatig, en altijd als het mes een vreemd voorwerp heeft geraakt.

Als de messen sterk zijn versleten of beschadigd, moet u nieuwe messen monteren. Raadpleeg de *Gebruikershandleiding* van de maaimachine voor het volledige onderhoud van de messen.

## De grasvanger reinigen

**Onderhoudsinterval:** Bij elk gebruik of dagelijks

Vóór de stalling

**Opmerking:** Om te voorkomen dat het materiaal waaruit de zakken zijn vervaardigd, snel slijt, moet u de zakken opslaan op een plaats waar zij na gebruik volledig kunnen drogen.

1. Na elk gebruik moet de binnen- en buitenzijde van het bovenstuk van de grasvanger, de afvoerbuis, het uitwerpkanaal en de onderkant van het maaidek verwijderen en met behulp van een tuinslang schoonspuiten met water. Gebruik een mild reinigingsmiddel om hardnekkig vuil te verwijderen.
2. Let erop dat u aangekoekt gras van alle onderdelen verwijdert.
3. Spoel de graszakken met water uit een tuinslang om eventueel vuil te verwijderen.
4. Na het wassen moet u alle onderdelen grondig laten drogen.

## Stalling

### Opslag van de grasvanger

1. Reinig de grasvanger; zie [De grasvanger reinigen \(bladz. 19\)](#).
2. Controleer de grasvanger op beschadiging; zie [De grasvanger controleren \(bladz. 18\)](#).
3. Zorg ervoor dat de graszakken leeg en volkomen droog zijn.
4. De grasvanger moet worden opgeslagen in een schone en droge ruimte, buiten het bereik van direct zonlicht. Dit beschermt de kunststof onderdelen en verlengt de levensduur van de grasvanger. Als u de grasvanger buiten moet opslaan, wordt u geadviseerd deze af te dekken met een weerbestendig dekzeil.

# Californië Proposition 65 Waarschuwingsinformatie

## Wat betekent deze waarschuwing?

Sommige producten die op de markt zijn bevatten een etiket met een waarschuwing als:



**WAARSCHUWING: Kanker en schade aan de voortplantingsorganen –**  
[www.p65Warnings.ca.gov](http://www.p65Warnings.ca.gov).

## Wat is Prop 65?

Prop 65 geldt voor elk bedrijf dat actief is in Californië, producten verkoopt in Californië, of producten maakt die kunnen worden verkocht of geïmporteerd in Californië. De wet schrijft voor dat de Gouverneur van Californië een lijst van chemische stoffen bijhoudt en publiceert waarvan bekend is dat ze kanker, geboortefwijkingen en/of andere schade aan de voortplantingsorganen kunnen veroorzaken. De lijst wordt jaarlijks bijgewerkt en omvat honderden chemische stoffen die in veel alledaagse voorwerpen voorkomen. Prop 65 heeft als doel mensen te informeren over blootstelling aan deze chemische stoffen.

Prop 65 verbiedt de verkoop van producten die deze chemicaliën bevatten niet; wel schrijft de wet voor dat het product, de productverpakking en de bijgevoegde documentatie waarschuwingen bevatten. Een Prop 65-waarschuwing betekent ook niet dat een product enige norm of vereiste inzake productveiligheid schendt. De Californische regering stelt duidelijk dat een Prop 65-waarschuwing "niet neerkomt op een wettelijke beslissing dat een product 'veilig' of 'onveilig' is." Veel van deze chemische stoffen worden al jaren op grote schaal en zonder gedocumenteerde schade gebruikt in alledaagse voorwerpen. Ga voor meer informatie naar <https://oag.ca.gov/prop65/faqs-view-all>.

Een Prop 65-waarschuwing betekent dat (1) een bedrijf de blootstelling heeft beoordeeld en van mening is dat deze het niveau 'geen significant risico' overschrijdt, of dat (2) het bedrijf kiest om een waarschuwing te vermelden omdat het weet dat een betreffende chemische stof aanwezig is, zonder evenwel de blootstelling eraan te beoordelen.

## Is deze wet overal van kracht?

Prop 65-waarschuwingen zijn enkel vereist krachtens de Californische wet. Deze waarschuwingen ziet men in heel Californië in uiteenlopende omgevingen, bijvoorbeeld in restaurants, kruidenierswinkels, hotels, scholen, ziekenhuizen en op een groot aantal producten. Daarnaast kiezen sommige webverkopers en postorderbedrijven ervoor om Prop 65-waarschuwingen te geven op hun website of in catalogi.

## Hoe verhouden de Californische waarschuwingen zich tot de federale limieten?

De Prop 65-voorschriften zijn vaak strikter dan federale en internationale normen. Voor verschillende stoffen is in Californië al bij veel lagere dosissen een waarschuwing vereist dan elders in de VS. Bijvoorbeeld: de Prop 65-norm voor waarschuwingen voor lood bedraagt 0,5 microgram per dag, wat veel minder is dan de federale en internationale standaarden.

## Waarom worden niet alle vergelijkbare producten van de waarschuwing voorzien?

- Producten die verkocht worden in Californië moeten voorzien worden van een Prop 65-aanduiding, maar dit geldt niet voor vergelijkbare producten op andere plaatsen.
- Een bedrijf kan in navolging van een rechtszaak verplicht worden om zijn producten te voorzien van Prop 65-waarschuwingen, terwijl dit voor andere bedrijven die vergelijkbare producten verkopen niet geldt.
- Prop 65 wordt niet eenduidig opgelegd.
- Bedrijven kunnen ervoor kiezen geen waarschuwing te vermelden omdat ze vinden dat ze daar niet toe verplicht zijn in het kader van de Prop 65-voorschriften; ook als er geen waarschuwingen op een product staan, is het best mogelijk dat de betreffende chemische producten toch in vergelijkbare dosissen aanwezig zijn.

## Waarom vermelden we deze waarschuwing?

Ons bedrijf wil consumenten zo goed mogelijk informeren zodat ze geïnformeerde beslissingen kunnen nemen over de producten die ze kopen en gebruiken. We vermelden in sommige gevallen waarschuwingen op basis van zijn kennis over de aanwezigheid van één of meer van de betreffende chemische stoffen, zonder evenwel het niveau van blootstelling te beoordelen, aangezien niet alle betreffende chemische stoffen voorzien zijn van voorschriften voor blootstellingslimieten. Ook al is de blootstelling door onze producten verwaarloosbaar of valt deze ruim binnen de categorie 'geen significant risico', hebben we er veiligheidshalve voor gekozen om Prop 65-waarschuwingen op te nemen. Als we deze waarschuwingen niet vermelden, zou dit bovendien vervolgd kunnen worden door de Staat Californië of door private personen die tenuitvoerlegging van Prop 65 beogen, en kunnen we op die manier aanzienlijke boetes krijgen.





**Count on it.**