



**Count on it.**

**Parts Catalog**

**Power Harness Kit**

**Groundsmaster® 3200 or 3300 Series  
Traction Unit**

**Model No. 140-1559**



# Ordering Replacement Parts

To order replacement parts, please supply the part number, the quantity, and the description of each part desired.

## Understanding Reference Numbers

Each identified part in an illustration has a reference number. The reference number for a part also appears in the parts list, along with other information about the part.

This catalog uses two special reference number formats, one to indicate parts in a service assembly and another to indicate the quantity of a given part in an illustration.

## Service Assembly Reference Numbers

Parts in service assemblies have reference numbers in the form a:b. The a represents the reference number of the entire service assembly and the b represents a sequential number unique to each part within the service assembly.

For example, a wheel assembly might be identified by reference number 6, the tire by 6:1, the valve by 6:2, and the wheel by 6:3. When you order the assembly identified by reference number 6, you receive all parts identified by reference numbers 6:1, 6:2, and 6:3. However, you may also order any part individually. Reference numbers of this type appear in illustration and in parts lists.

## Reference Numbers Indicating Quantity

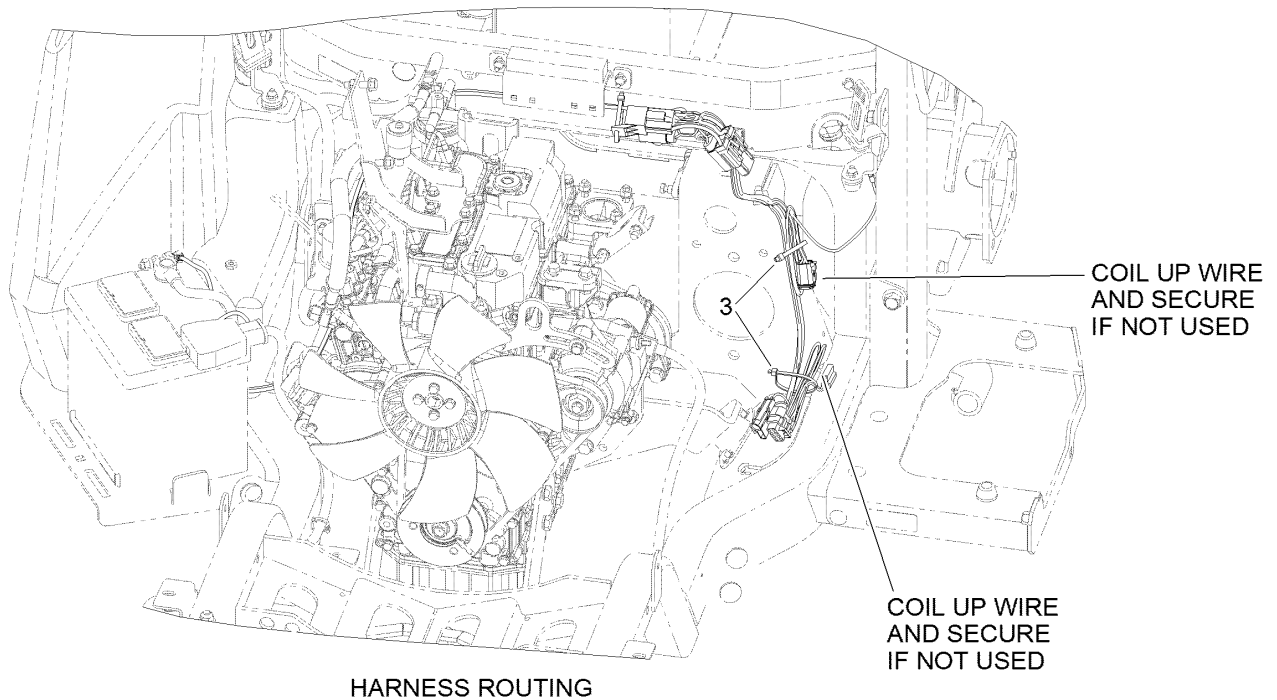
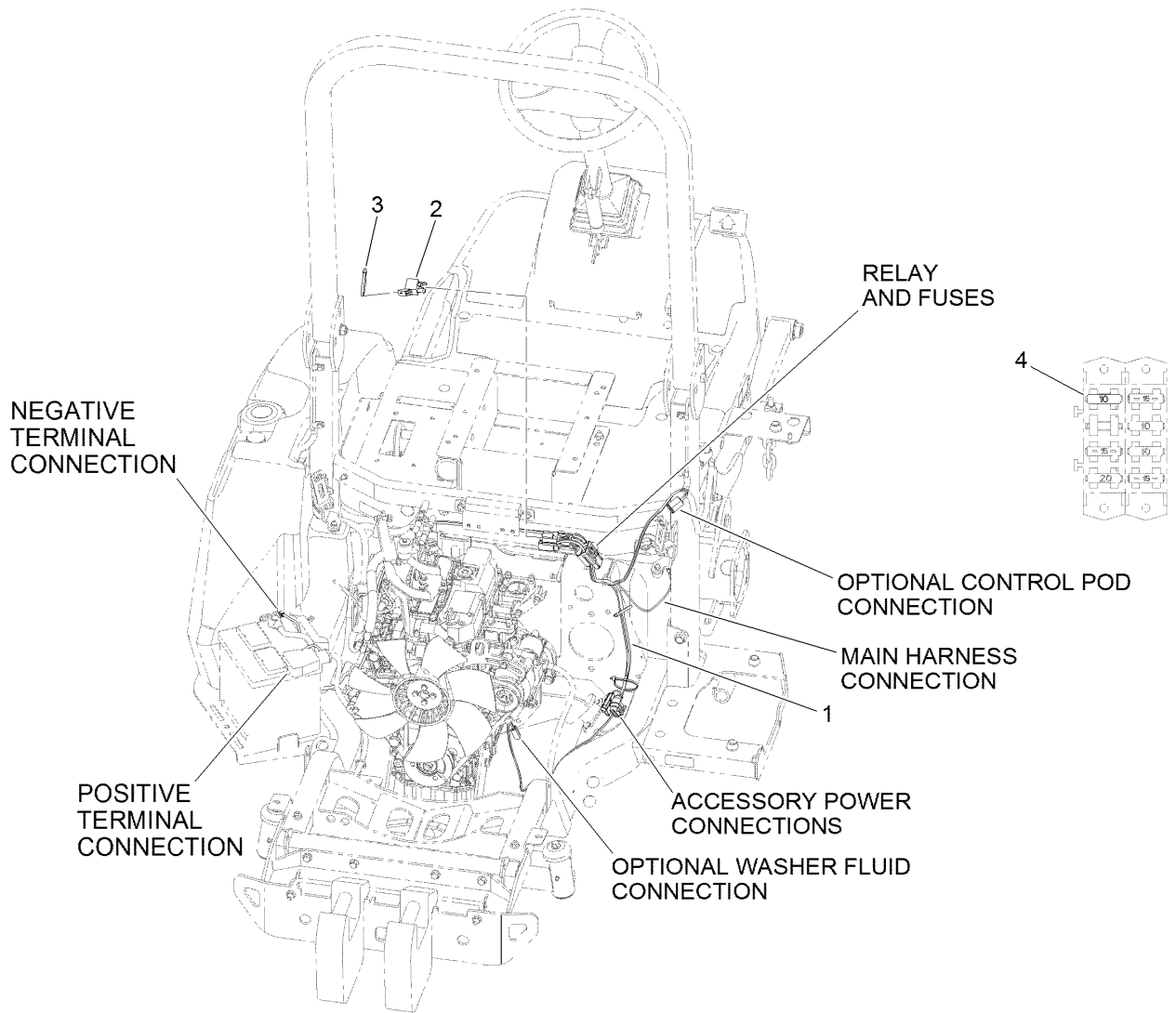
In an illustration, if a reference number indicates more than one part, the reference number has the form nX y. The n represents the quantity of the part, the X is the multiplication symbol, and the y represents the reference number.

For example, in an illustration, the reference number 2X 37 means that two of the parts identified by reference number 37 are indicated.

# Contents

Power Harness Kit Assembly No. 140-1559 ..... 4  
Power Harness No. 122-1713 ..... 6

# Power Harness Kit Assembly No. 140-1559

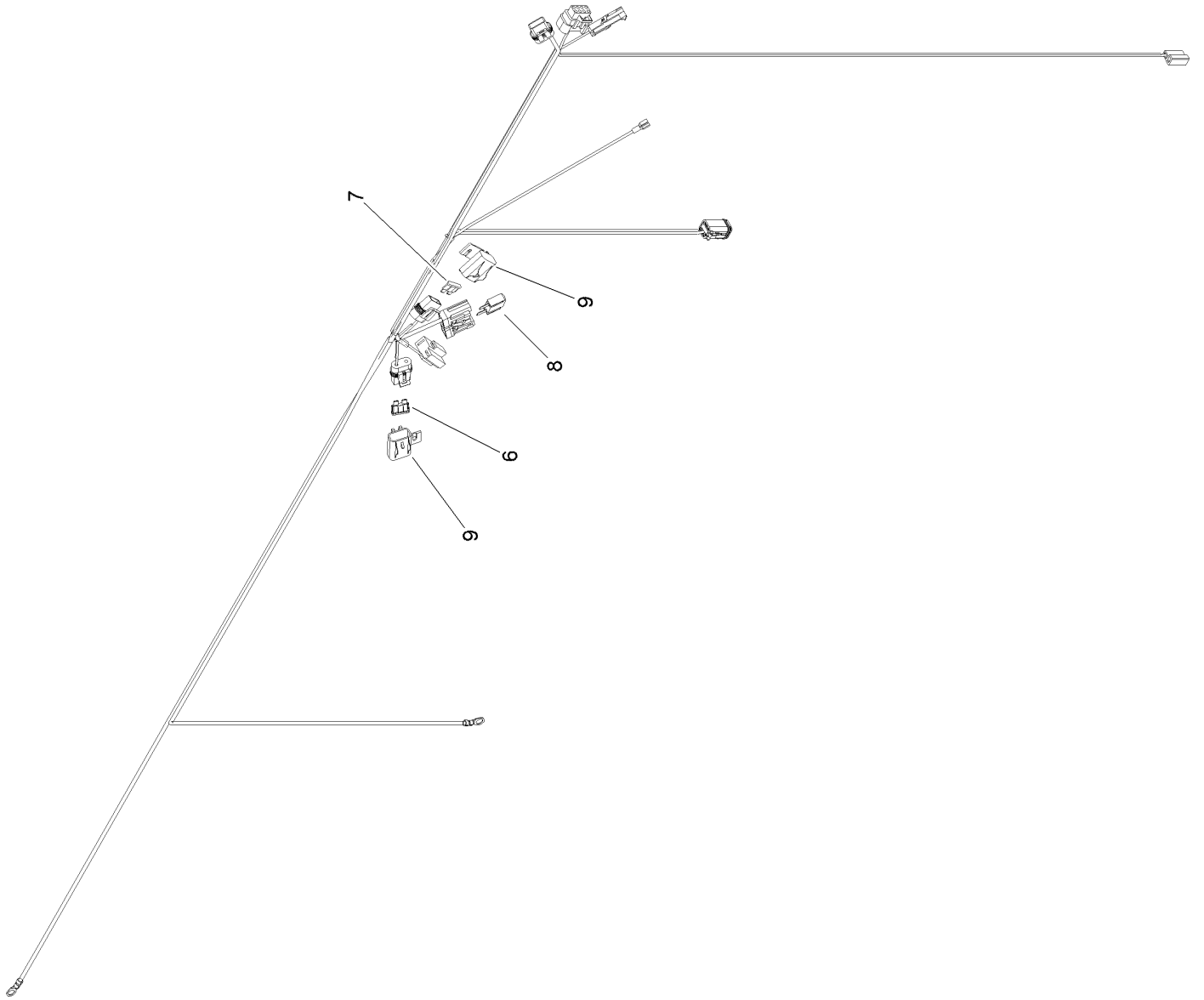


# Power Harness Kit Assembly No. 140-1559 (continued)

<i>Ref.</i>	<i>Part Number</i>	<i>Qty.</i>	<i>Description</i>
1	122-1713	1	Harness-Wire, Power
2	99-7435	1	Relay

<i>Ref.</i>	<i>Part Number</i>	<i>Qty.</i>	<i>Description</i>
3	3290-378	7	Tie-Cable
4	218-578	1	Fuse-Blade, 10 Amp

# Power Harness No. 122-1713



## Power Harness No. 122-1713 (continued)

<i>Ref.</i>	<i>Part Number</i>	<i>Qty.</i>	<i>Description</i>
6	218-578	1	Fuse-Blade, 10 Amp
7	109355	1	Fuse-Blade, 15 Amp

<i>Ref.</i>	<i>Part Number</i>	<i>Qty.</i>	<i>Description</i>
8	114-3342	1	Fuse-Maxi, 60 Amp
9	32180-019	2	Cover-Fuse, Single



**Count on it.**