



**Count on it.**

**Parts Catalog**

**55cm Recycler®**

**Lawn Mower**

Model No. 21771—Serial No. 40000000 and Up



# Ordering Replacement Parts

To order replacement parts, please supply the part number, the quantity, and the description of each part desired.

## Understanding Reference Numbers

Each identified part in an illustration has a reference number. The reference number for a part also appears in the parts list, along with other information about the part.

This catalog uses two special reference number formats, one to indicate parts in a service assembly and another to indicate the quantity of a given part in an illustration.

## Service Assembly Reference Numbers

Parts in service assemblies have reference numbers in the form a:b. The a represents the reference number of the entire service assembly and the b represents a sequential number unique to each part within the service assembly.

For example, a wheel assembly might be identified by reference number 6, the tire by 6:1, the valve by 6:2, and the wheel by 6:3. When you order the assembly identified by reference number 6, you receive all parts identified by reference numbers 6:1, 6:2, and 6:3. However, you may also order any part individually. Reference numbers of this type appear in illustration and in parts lists.

## Reference Numbers Indicating Quantity

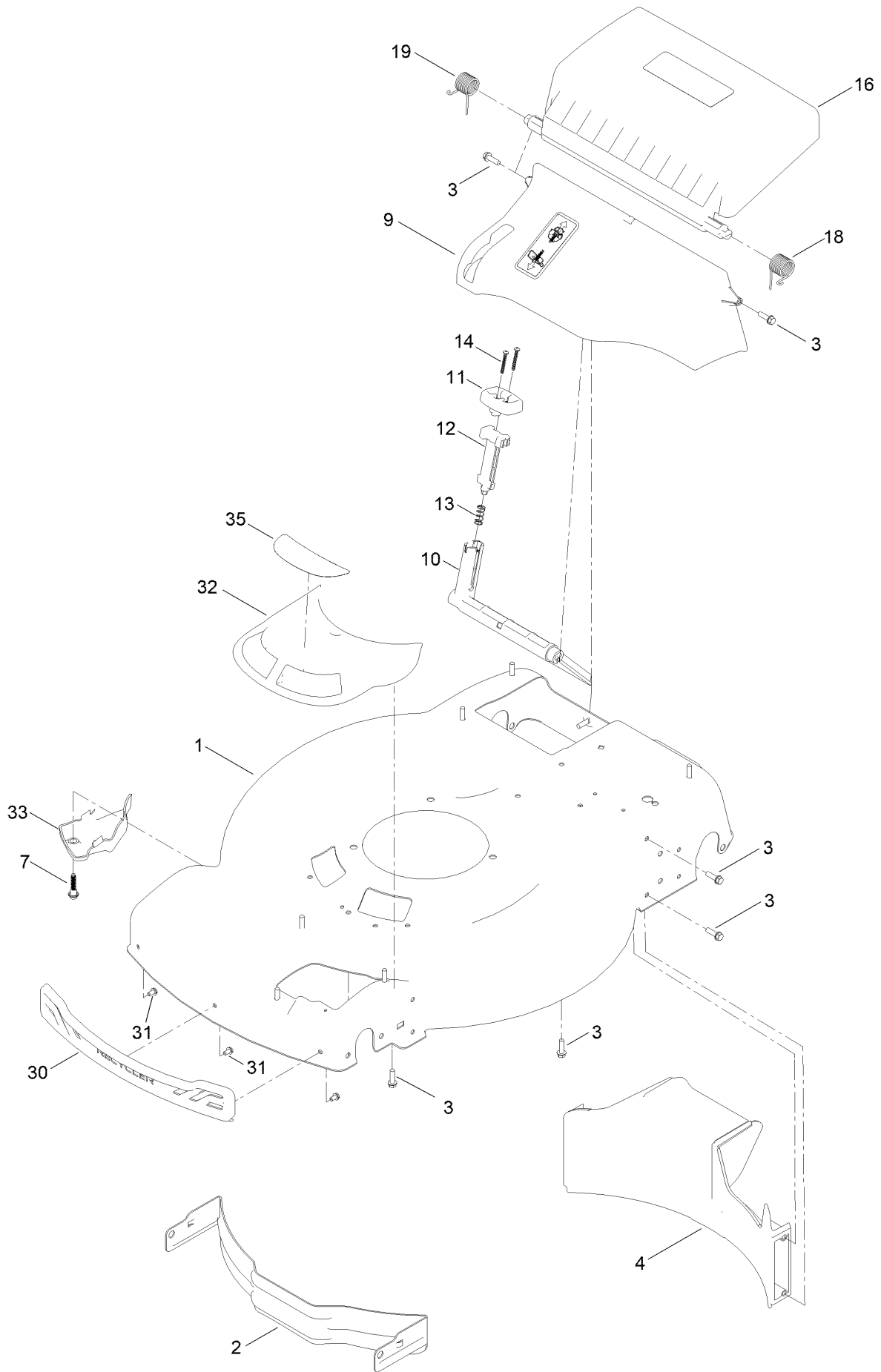
In an illustration, if a reference number indicates more than one part, the reference number has the form nX y. The n represents the quantity of the part, the X is the multiplication symbol, and the y represents the reference number.

For example, in an illustration, the reference number 2X 37 means that two of the parts identified by reference number 37 are indicated.

# Contents

- Housing Assembly ..... 4
- Rear Bag Assembly ..... 6
- Decal Assembly ..... 8
- Engine and Blade Assembly ..... 10
- Front Wheel and Height-of-Cut Assembly ..... 12
- Rear Wheel and Height-of-Cut Assembly ..... 14
- Handle Assembly ..... 16
- Attachments and Accessories ..... 18

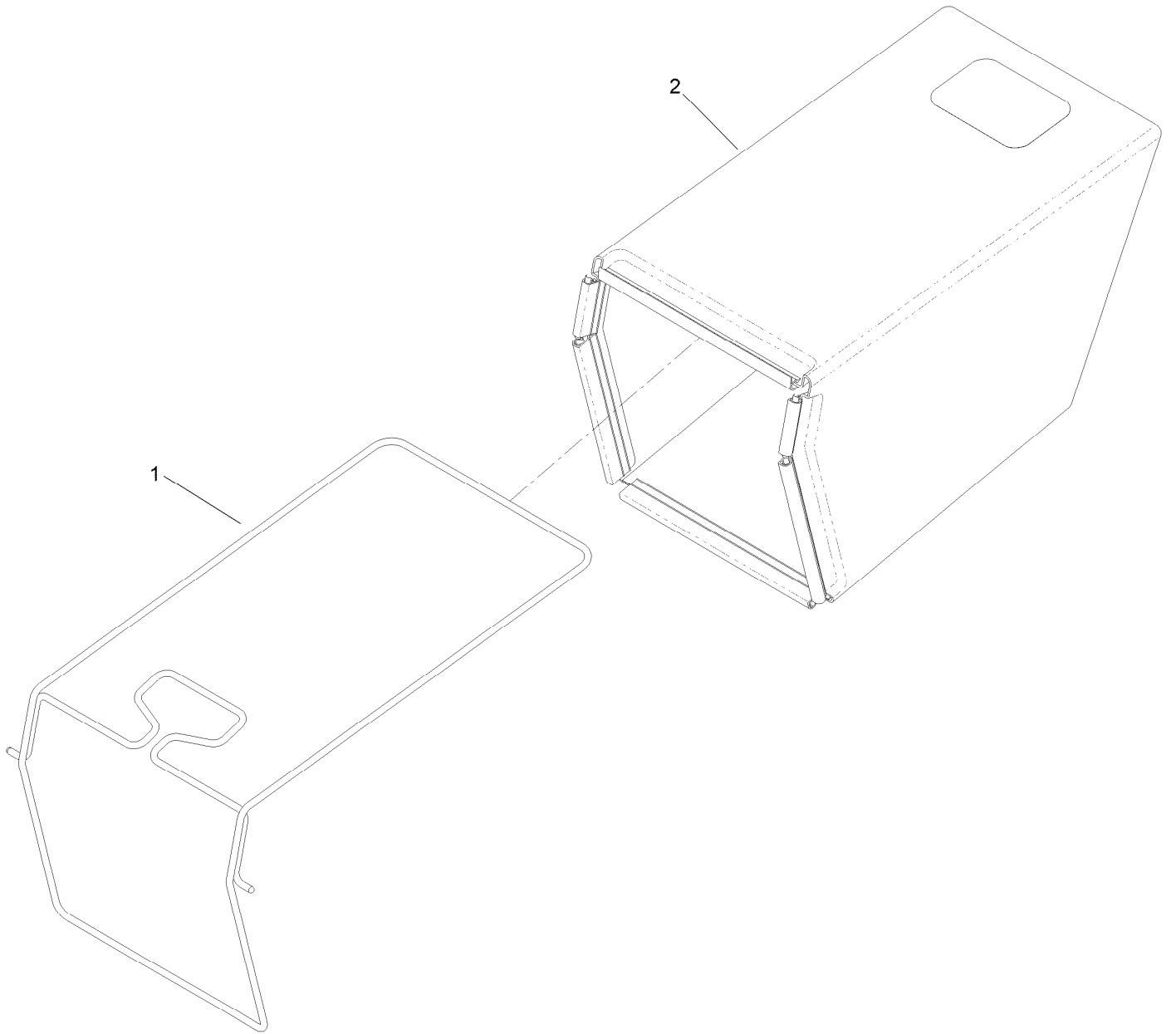
# Housing Assembly



## Housing Assembly (continued)

<i>Ref.</i>	<i>Part Number</i>	<i>Qty.</i>	<i>Description</i>	<i>Ref.</i>	<i>Part Number</i>	<i>Qty.</i>	<i>Description</i>
1	145-1525	1	Housing ASM	14	32104-120	2	Screw-PPH
2	115-4667-01	1	Baffle-Front	16	139-5476	1	ASM-Rear Door, In Mold
3	137-3099	13	Screw-Plastite, HWH	18	139-5478	1	Spring-Torsion, LH
4	139-5440	1	Baffle-Rear, Rwd	19	139-5479	1	Spring-Torsion, RH
7	131-0837	1	Screw-Shoulder, HHF	30	139-5457	1	Bumper-Front
9	140-2368	1	ASM-Chute, In Mold	31	139-5467	3	Screw-Plastic, HWH
10	139-5443	1	Deflector-Recycle	32	144-0210	1	ASM-Intake, Rwd
11	139-5444	1	Knob-Recycle	33	140-2384	1	Cover-Intake, Bottom
12	139-5445	1	Latch-Recycle	35	145-1487	1	Decal-Vortex Rwd
13	140-4192	1	Spring-Compression				

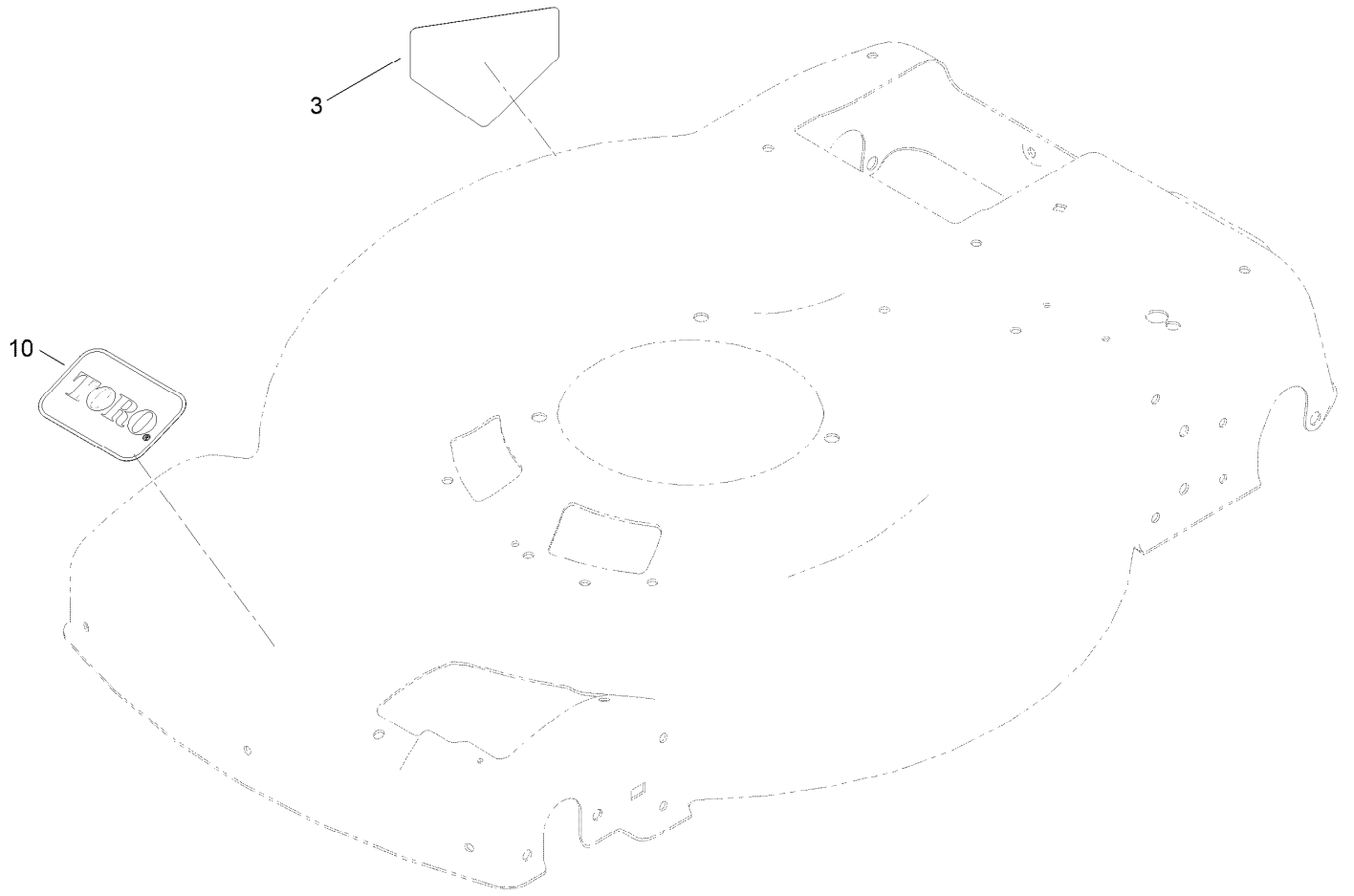
# Rear Bag Assembly



## Rear Bag Assembly (continued)

<i>Ref.</i>	<i>Part Number</i>	<i>Qty.</i>	<i>Description</i>
1	139-5470-03	1	ASM-Frame, Bag
2	139-5471	1	ASM-Bag, Grass

# Decal Assembly

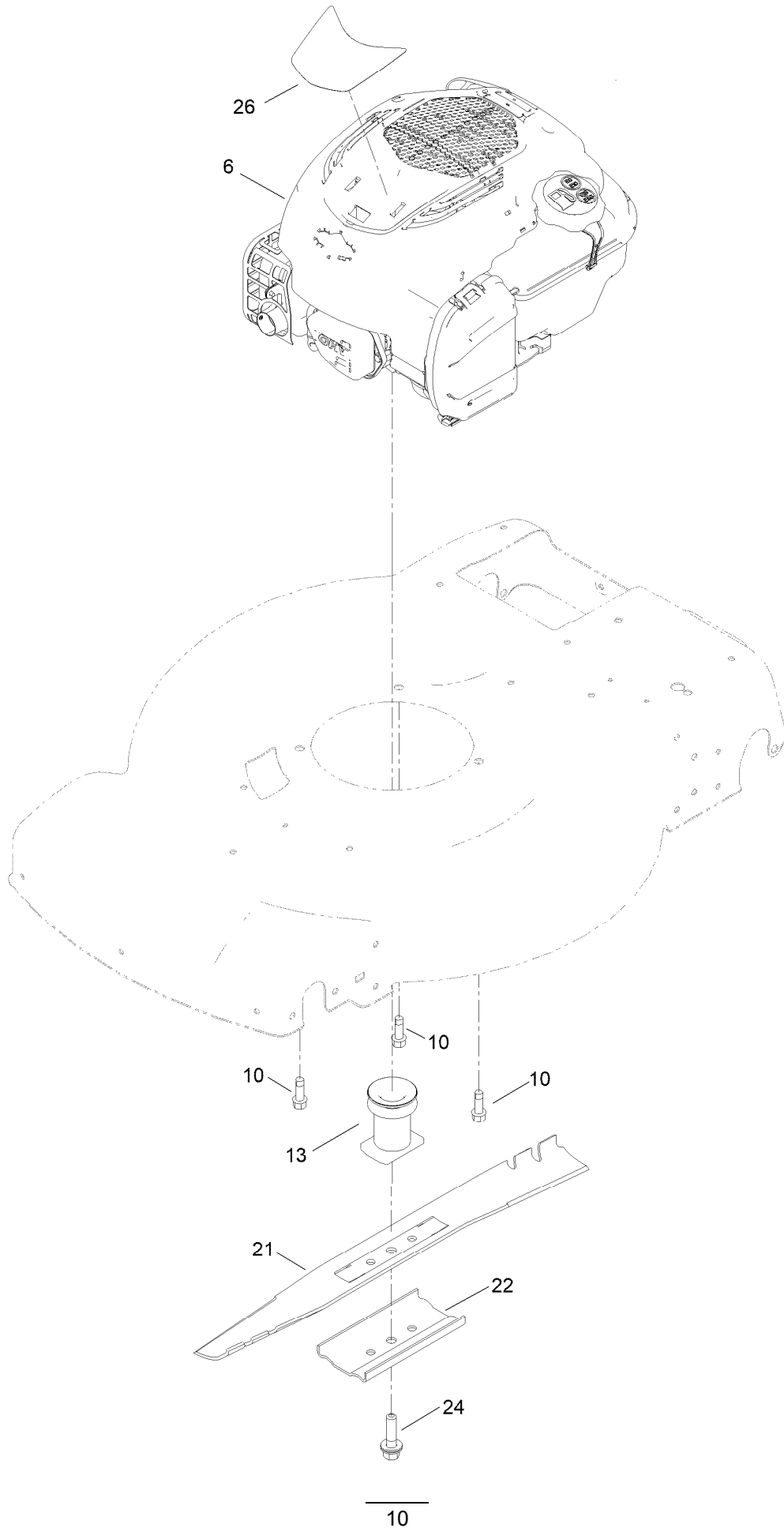




## Decal Assembly (continued)

<i>Ref.</i>	<i>Part Number</i>	<i>Qty.</i>	<i>Description</i>
3	112-8760	1	Decal-Danger
10	140-4183	1	Decal

# Engine and Blade Assembly



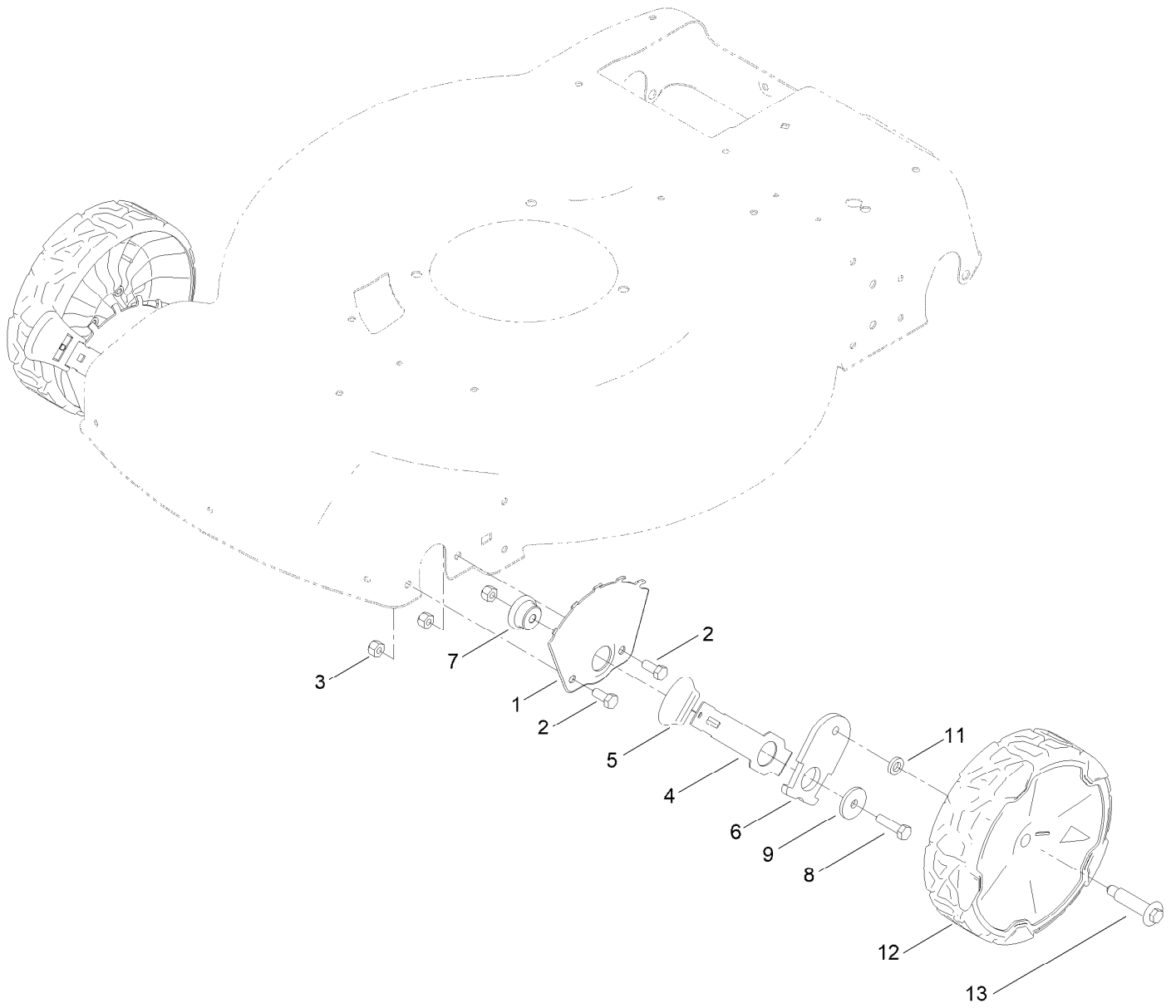
## Engine and Blade Assembly (continued)

<i>Ref.</i>	<i>Part Number</i>	<i>Qty.</i>	<i>Description</i>	<i>Ref.</i>	<i>Part Number</i>	<i>Qty.</i>	<i>Description</i>
6		1	Engine-Briggs 104M020043F1[675Exi Zs Eu] ● ■	21	131-9683-03	1	Blade
				22	108-3766-03	1	Support-Blade
10	121-5844	3	Screw-Thd Form, HWH	24	125-2466	1	Bolt-Blade
13	139-1816	1	Driver-Blade	26	145-1457	1	Decal - Briggs 725 Ex

● Not serviced separately

■ Obtain parts from [www.briggsandstratton.com](http://www.briggsandstratton.com)

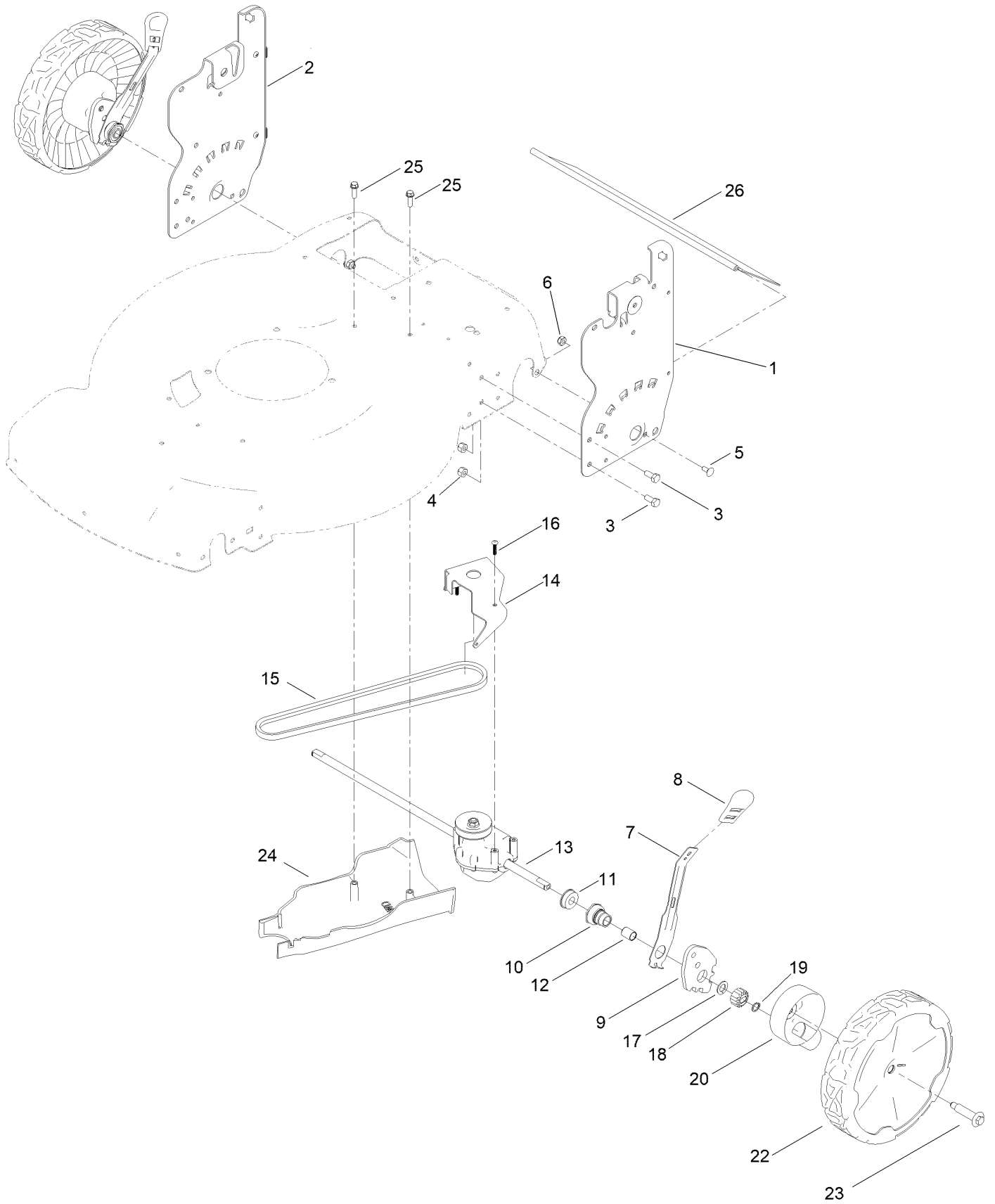
# Front Wheel and Height-of-Cut Assembly



# Front Wheel and Height-of-Cut Assembly (continued)

<i>Ref.</i>	<i>Part Number</i>	<i>Qty.</i>	<i>Description</i>	<i>Ref.</i>	<i>Part Number</i>	<i>Qty.</i>	<i>Description</i>
1	115-1956-05	2	Plate-HOC,Front Fsvq Wednesday	7	105-1818	2	Bushing-Mount, HOC
2	137-3052	4	Screw-HH	8	120-9696	2	Screw-HH
3	119-4038	6	Nut-Hex	9	139-1704	2	Washer-Flat
4	105-1809	2	Arm-Spring	11	139-5449	2	Washer-Wheel Bolt
5	110-0549	2	Knob-HOC	12	140-2355	2	ASM-8" Wheel, Idler
6	137-9128	2	Arm-Pivot, Front	13	139-1789	2	Wheel Bolt

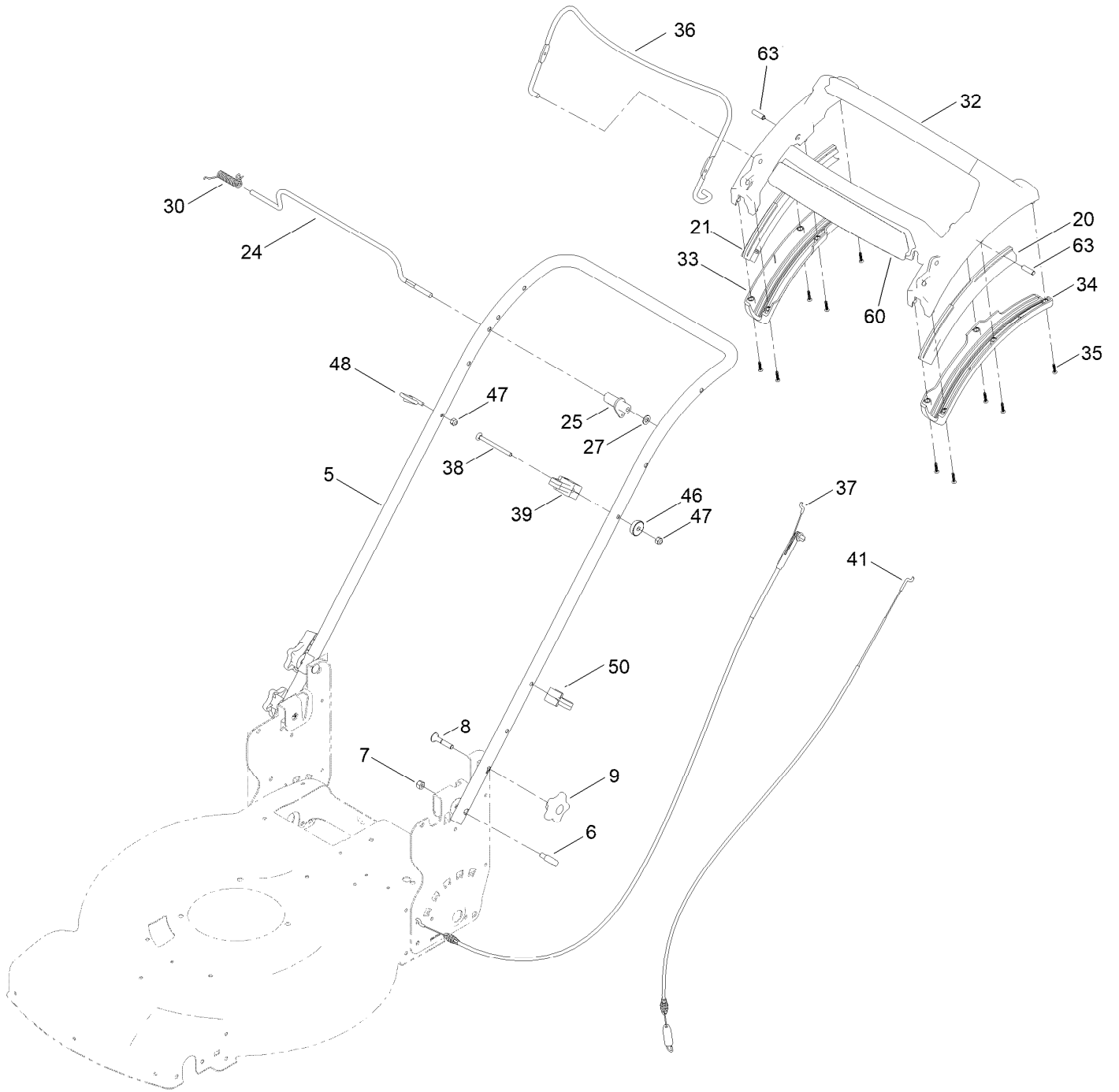
# Rear Wheel and Height-of-Cut Assembly



## Rear Wheel and Height-of-Cut Assembly (continued)

<i>Ref.</i>	<i>Part Number</i>	<i>Qty.</i>	<i>Description</i>	<i>Ref.</i>	<i>Part Number</i>	<i>Qty.</i>	<i>Description</i>
1	139-6591-05	1	Plate-HOC, LH (ISO)	14	114-7977-03	1	Bracket-Transmission
2	139-6590-05	1	Plate-HOC, RH (ISO)	15	140-4041	1	V-Belt
3	137-3052	4	Screw-HH	16	120-9676	3	Screw-Plastite
4	119-4038	4	Nut-Hex	17	110-7191	2	Washer-Thrust
5	100-1445	2	Bolt-CARR	18	131-5399	2	Gear-Pinion, 15T
6	139-1724	2	Nut-Lock	19	32151-61	2	Ring-Retaining
7	132-4486	2	Arm-Spring	20	140-2362	2	ASM-Cover, Gear (Dk Gray)
8	110-0549	2	Knob-HOC	22	140-2350	2	ASM-9.65" Wheel, Geared
9	139-5451	2	Arm-Pivot, Rear	23	139-1789	2	Wheel Bolt
10	108-9779	2	Retainer-Bushing, HOC	24	139-5448	1	Cover-Belt, Rwd
11	104-8699	2	Bearing-Ball	25	137-3099	2	Screw-Plastite, HWH
12	108-9782	2	Bushing-Sleeve	26	139-6597	1	Shield-Trailing
13	139-6561	1	Transmission-Rwd				

# Handle Assembly





## Handle Assembly (continued)

<i>Ref.</i>	<i>Part Number</i>	<i>Qty.</i>	<i>Description</i>	<i>Ref.</i>	<i>Part Number</i>	<i>Qty.</i>	<i>Description</i>
5	139-5458-05	1	Handle-Curved	34	139-6568	1	Bottom-Handle, LH
6	139-6599	2	Bolt-Shoulder, Handle	35	94-4496	10	Screw-PPH
7	119-4038	1	Nut-Hex	36	140-4023-03	1	Bail-Brake
8	131-9663	2	Screw-CARR	37	139-6594	1	Cable-Brake, Pp B&s
9	117-5976	2	Knob-Handle	38	144-0221	1	Screw-CARR
20	140-2367	1	Guide-Curved, LH (Rwd)	39	139-6581	1	Anchor-Cable, Rwd
21	140-2366	1	Guide-Curved, RH (Rwd)	41	139-6595	1	Cable-Traction, Rwd (Pp)
24	139-5464	1	Rod-Control, Traction	46	136-9075	1	Washer-Curved
25	139-6554	1	Lever-Traction, Rwd	47	137-3094	2	Nut-Hex
27	120-9683	1	Washer-Plain	48	86-9671	1	Guide-Rope
30	140-4194	1	Spring-Torsion	50	114-7988	1	Guide-Cable
32	139-6569	1	Handle-Personal Pace, Curved	60	145-1459	1	Decal - Ads, Handle
33	139-6567	1	Bottom-Handle, RH	63	139-6577	2	Pin-Handle, Pp

# Attachments and Accessories

## For 21771 55cm Recycler Lawn Mower

<b>Product Name</b>	<b>Model/Part</b>
22 Inch Atomic Blade .....	59534P
Lawnmower Cover .....	490-7462
Lawn Striping Kit with 22in Roller .....	20601
Bag-Walk Behind (Toro) .....	490-7318
Chute ASM .....	139-6556

**Notes:**



**Count on it.**