



Count on it.

Parts Catalog

Log Splitter

Model No. 22618—Serial No. 407600000 and Up



Ordering Replacement Parts

To order replacement parts, please supply the part number, the quantity, and the description of each part desired.

Understanding Reference Numbers

Each identified part in an illustration has a reference number. The reference number for a part also appears in the parts list, along with other information about the part.

This catalog uses two special reference number formats, one to indicate parts in a service assembly and another to indicate the quantity of a given part in an illustration.

Service Assembly Reference Numbers

Parts in service assemblies have reference numbers in the form a:b. The a represents the reference number of the entire service assembly and the b represents a sequential number unique to each part within the service assembly.

For example, a wheel assembly might be identified by reference number 6, the tire by 6:1, the valve by 6:2, and the wheel by 6:3. When you order the assembly identified by reference number 6, you receive all parts identified by reference numbers 6:1, 6:2, and 6:3. However, you may also order any part individually. Reference numbers of this type appear in illustration and in parts lists.

Reference Numbers Indicating Quantity

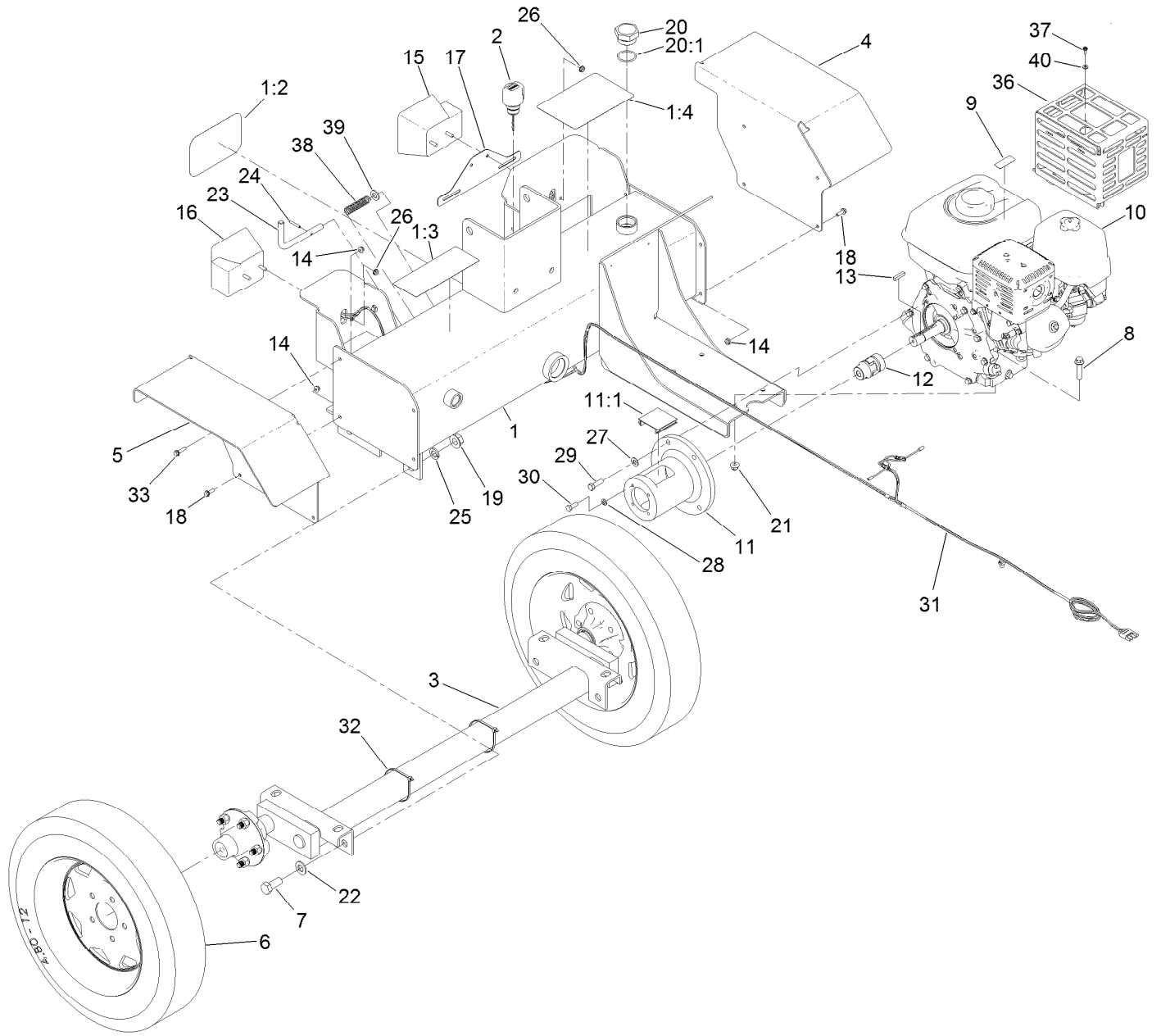
In an illustration, if a reference number indicates more than one part, the reference number has the form nX y. The n represents the quantity of the part, the X is the multiplication symbol, and the y represents the reference number.

For example, in an illustration, the reference number 2X 37 means that two of the parts identified by reference number 37 are indicated.

Contents

Engine, Axle and Hydraulic Tank Assembly 4
Frame Assembly 6
Jack Assembly No. 120-1421 8
Hydraulic Pump Assembly 10
Attachments and Accessories 12

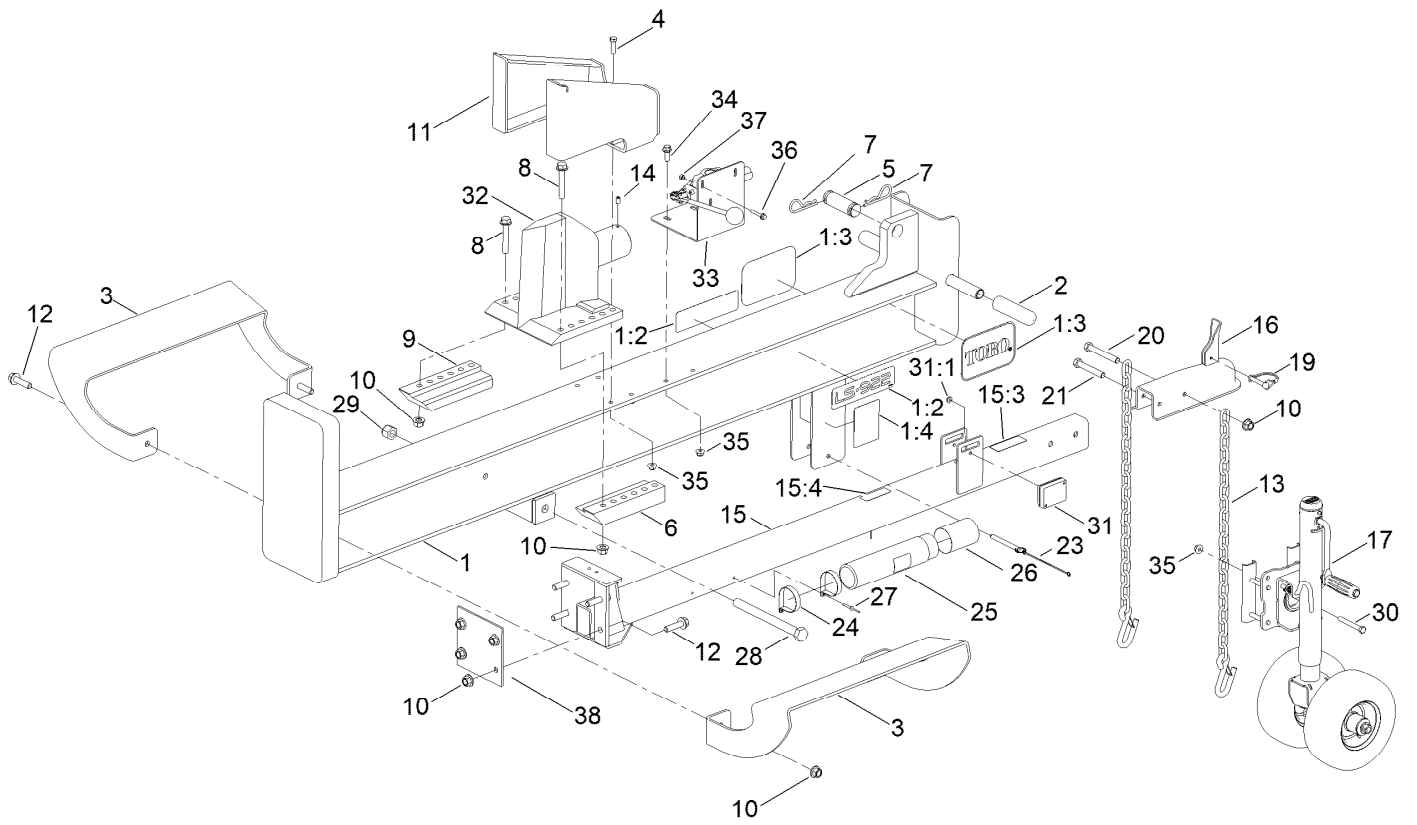
Engine, Axle and Hydraulic Tank Assembly



Engine, Axle and Hydraulic Tank Assembly (continued)

<i>Ref.</i>	<i>Part Number</i>	<i>Qty.</i>	<i>Description</i>	<i>Ref.</i>	<i>Part Number</i>	<i>Qty.</i>	<i>Description</i>
1	137-0637	1	HYD Tank ASM	19	32128-50	4	Nut-Flange
1:2	62-5550	1	Decal	20	108-8468	1	Plug-HH
1:3	137-0551	1	Decal-Warning	20:1	237-101	1	O-Ring
1:4	139-1286	1	Decal-Service	21	104-8301	4	Nut-HF, NI
2	132-9292	1	Breather	22	119-1868	4	Washer
3	136-4575	1	Axle ASM	23	137-0601	1	Pin-Latch
4	137-0639-03	1	Fender-LH	24	32121-34	1	Pin-Roll
5	137-0638-03	1	Fender-RH	25	3253-23	4	Washer-Lock
6	120-1206	2	Wheel And Tire ASM	26	32149-2	4	Nut-Keps
7	327-4	4	Screw-HH	27	3256-24	4	Washer-Flat
8	3234-19	4	Screw-HHF	28	3253-4	4	Washer-Lock
9	130-8322	1	Decal-Warning, Ethanol	29	323-7	4	Screw-HH
10	136-4563	1	Engine-Honda, Gx270	30	322-4	4	Screw-HH
11	120-1213	1	Housing-Mount,Pump	31	136-4571	1	Harness-Wire
11:1	120-1846	1	Cover-Access	32	3290-379	2	Tie-Cable
12	137-0566	1	Coupler-Flex	33	120-4654	2	Screw-HHF
13	13-2840	1	Key-Square	36	137-0595-03	1	Guard-Muffler
14	104-7201	8	Nut-Flange, NI	37	119-7568	2	Screw-HSBH
15	120-3735	1	Light-Tail, LH	38	95-4256	1	Spring-Compression
16	120-3734	1	Light-Tail, RH	39	106-9888	1	Washer-Flat
17	125-8659-03	1	Holder-Plate, License	40	3256-14	2	Washer-Flat
18	115-5103	6	Screw-HHF				

Frame Assembly

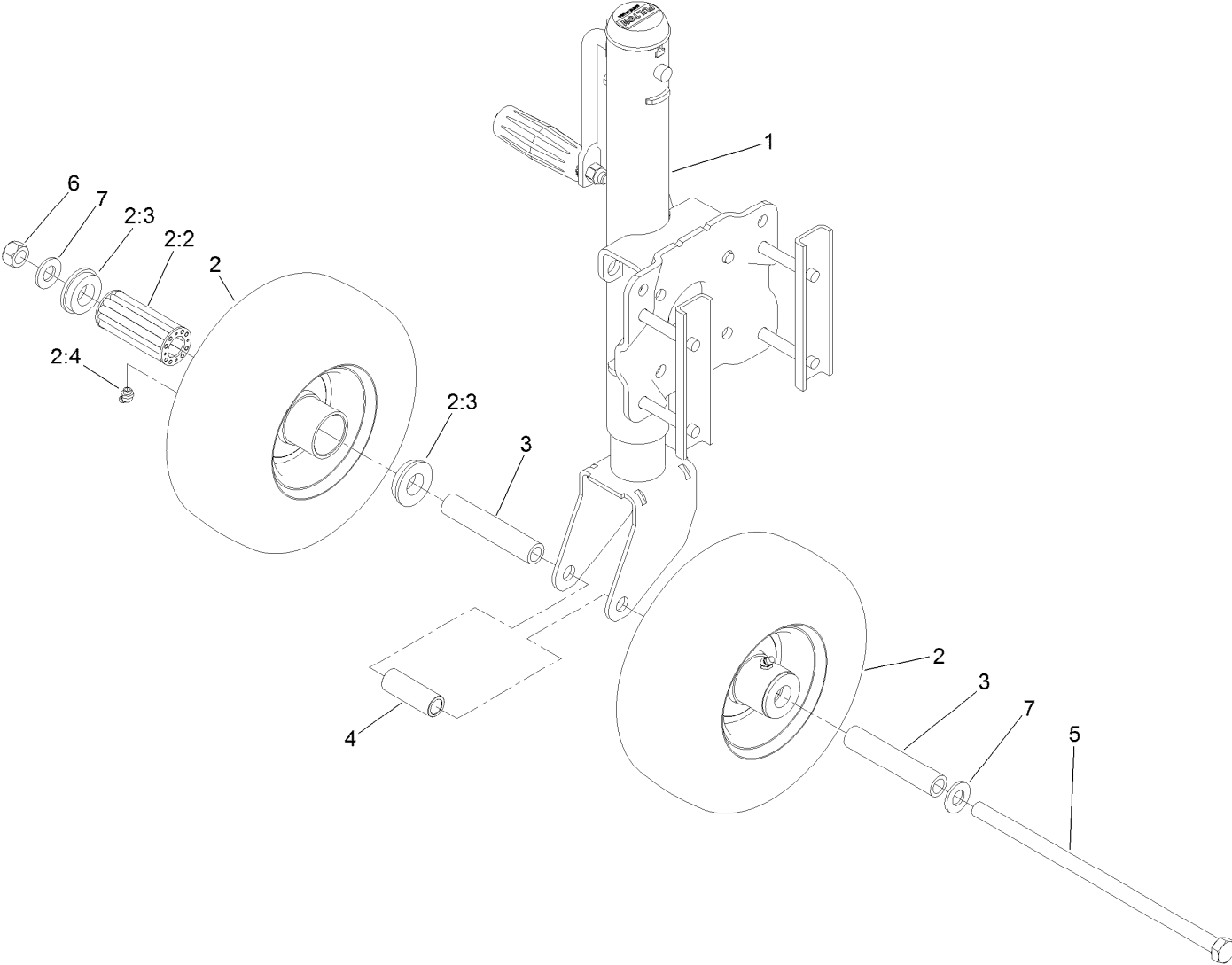


Frame Assembly (continued)

<i>Ref.</i>	<i>Part Number</i>	<i>Qty.</i>	<i>Description</i>	<i>Ref.</i>	<i>Part Number</i>	<i>Qty.</i>	<i>Description</i>
1	137-0634	1	Beam ASM	17	120-1421	1	Jack ASM
1:2	137-0552	2	Decal	19	105-9245	1	Pin-Lock
1:3	62-5550	2	Decal	20	325-15	1	Screw-HH
1:4	137-0588	1	Decal-Warning, Pin	21	325-13	1	Screw-HH
2	120-1333	2	Grip-Handle	23	136-4588	1	Pin
3	136-4668-03	2	Plate-Catch	24	2412-120	2	Clamp-R
4	323-7	4	Screw-HH	25	104-7050	1	Tube-Manual
5	120-1420	1	Pin-Pivot	26	104-7048	1	Cap-Housing
6	120-1804-03	1	Bar-Slide, LH	27	107-0386	3	Rivet-Blind
7	3290-256	2	Pin-Hair	28	120-1796	1	Bolt-HH
8	3234-40	12	Screw-HF	29	3296-51	1	Nut-Lock, NI
9	120-1809-03	1	Bar-Slide, RH	30	323-14	4	Screw-HH
10	99-5107	20	Nut-Lock	31	127-7562	2	Lamp-Marker, Front Side
11	140-3617	1	Dislodger Bracket ASM	31:1	32149-2	1	Nut-Keps
12	133-0041	6	Screw-HF	32	137-0569-03	1	Wedge ASM
13	119-3045	2	Chain-Safety, Trailer	33	137-0571-03	1	Bracket-Valve
14	3247-4	1	Screw-Set	34	3234-42	2	Screw-HHF
15	144-2047	1	Decal ASM - Tube	35	104-8301	10	Nut-HF, NI
15:2	133-8062	1	Decal-Arrestor, Spark ●	36	94-5781	3	Screw-HHF
15:3	137-0554	1	Decal-Caution	37	3296-42	3	Nut-Lock, NI
15:4	120-0625	1	Decal-Warning	38	144-2034-01	1	Plate - Backing
16	117-8371	1	Receiver-Hitch, Ball				

● Not illustrated

Jack Assembly No. 120-1421

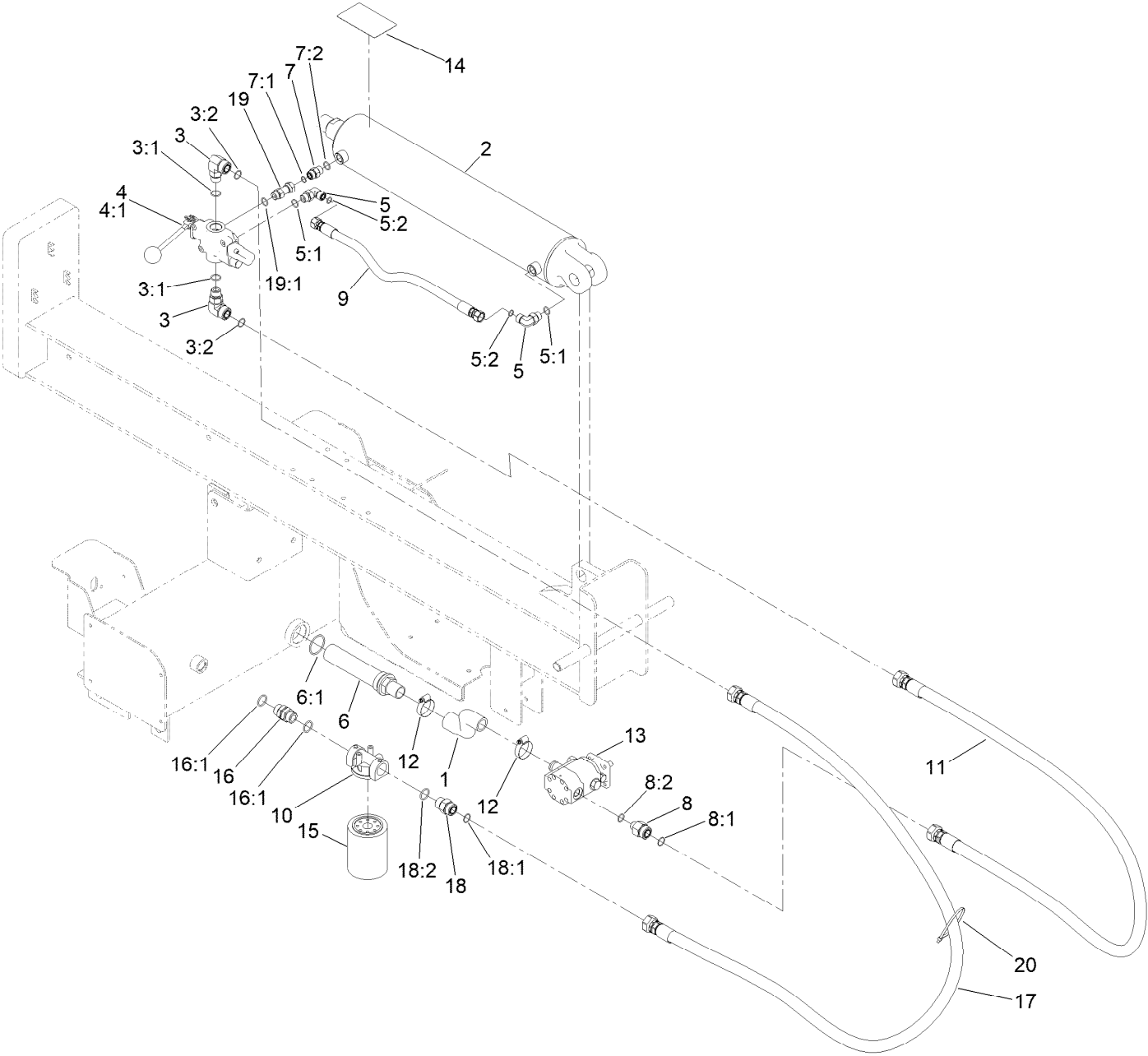


Jack Assembly No. 120-1421 (continued)

<i>Ref.</i>	<i>Part Number</i>	<i>Qty.</i>	<i>Description</i>
1	120-1208	1	Jack-Trailer
2	110-5024	2	Wheel And Tire ASM
2:2	112-7066	1	Bearing-Roller
2:3	1-513810	2	Bushing
2:4	302-61	1	Fitting-Grease

<i>Ref.</i>	<i>Part Number</i>	<i>Qty.</i>	<i>Description</i>
3	100-6453	2	Bushing-Spanner
4	109-6653	1	Spacer
5	120-1827	1	Screw-HH
6	32153-5	1	Nut-Hex
7	3256-26	2	Washer-Flat

Hydraulic Pump Assembly



Hydraulic Pump Assembly (continued)

<i>Ref.</i>	<i>Part Number</i>	<i>Qty.</i>	<i>Description</i>	<i>Ref.</i>	<i>Part Number</i>	<i>Qty.</i>	<i>Description</i>
1	136-4675	1	Hose-Molded	8:2	237-79	1	O-Ring
2	136-4562	1	Cylinder- HYD	9	144-7460	1	Hose ASM-HYD
3	340-16	2	Fitting-HYD, 90 DEG	10	92-5821	1	Head-Filter
3:1	237-80	1	O-Ring	11	144-7461	1	Hose ASM-HYD
3:2	237-58	1	O-Ring	12	2412-111	2	Clamp
4	136-4583	1	Valve-Control	13	136-4569	1	Pump-HYD
4:1	144-2041	1	Kit-Handle, Valve	14	137-0587	1	Decal- Caution, Control
5	340-98	2	Fitting-Elbow, 90 DEG	15	54-0110	1	Filter-Oil, Transmission
5:1	237-79	1	O-Ring	16	98-9906	1	Fitting-Thread, Straight
5:2	237-30	1	O-Ring	16:1	237-81	2	O-Ring
6	105-0131	1	Strainer-Tank, Oil	17	144-7462	1	Hose ASM-HYD
6:1	340-136	1	O-Ring	18	340-9	1	Fitting-STR
7	340-4	1	Fitting-Straight	18:1	237-58	1	O-Ring
7:1	237-30	1	O-Ring	18:2	237-81	1	O-Ring
7:2	237-79	1	O-Ring	19	100-7671	1	Adapter-HYD
8	98-9921	1	Fitting-Straight	19:1	237-79	1	O-Ring
8:1	237-145	1	O-Ring	20	3290-379	3	Tie-Cable

Attachments and Accessories

For 22618 Log Splitter

Product Name	Model/Part
Spark Arrester Kit	137-0592
Pump Service Kit	137-4850
Cylinder Service Kit	137-4852

Notes:

Notes:

Notes:



Count on it.