



**Count on it.**

**Parts Catalog**

**Groundsmaster® 1200 Series  
Pull Behind Rotary Mower**

Model No. 31905—Serial No. 405300001 and Up



# Ordering Replacement Parts

To order replacement parts, please supply the part number, the quantity, and the description of each part desired.

## Understanding Reference Numbers

Each identified part in an illustration has a reference number. The reference number for a part also appears in the parts list, along with other information about the part.

This catalog uses two special reference number formats, one to indicate parts in a service assembly and another to indicate the quantity of a given part in an illustration.

## Service Assembly Reference Numbers

Parts in service assemblies have reference numbers in the form a:b. The a represents the reference number of the entire service assembly and the b represents a sequential number unique to each part within the service assembly.

For example, a wheel assembly might be identified by reference number 6, the tire by 6:1, the valve by 6:2, and the wheel by 6:3. When you order the assembly identified by reference number 6, you receive all parts identified by reference numbers 6:1, 6:2, and 6:3. However, you may also order any part individually. Reference numbers of this type appear in illustration and in parts lists.

## Reference Numbers Indicating Quantity

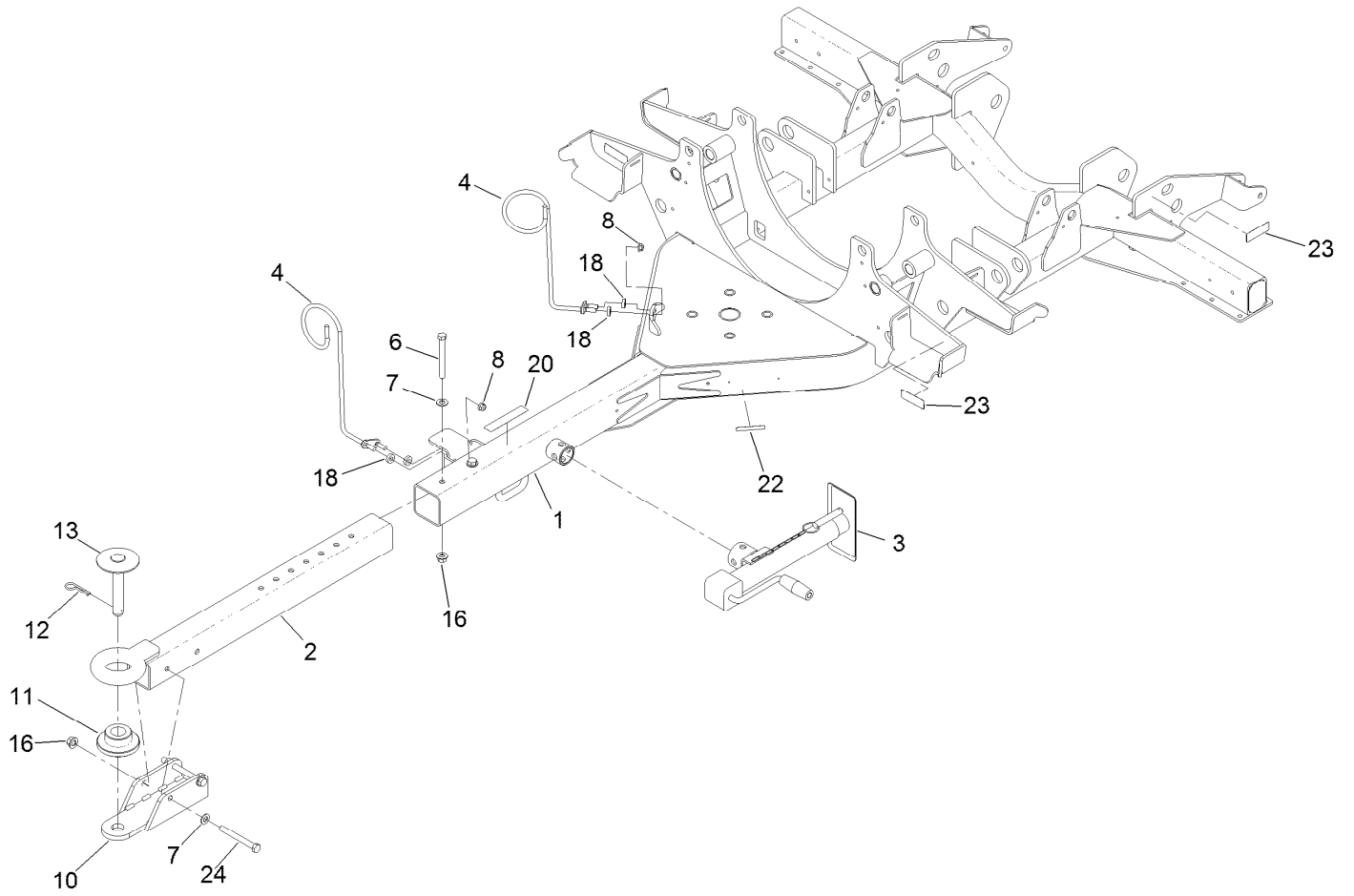
In an illustration, if a reference number indicates more than one part, the reference number has the form nX y. The n represents the quantity of the part, the X is the multiplication symbol, and the y represents the reference number.

For example, in an illustration, the reference number 2X 37 means that two of the parts identified by reference number 37 are indicated.

# Contents

Frame Assembly.....	4
Lift Arm Assembly No. 2.....	6
Lift Arm Assembly No. 3.....	8
Lift Arm Assembly No. 1.....	10
Tire and Axle Assembly.....	12
LH Torsion Axle Assembly No. 137-3572.....	14
RH Torsion Axle Assembly No. 137-3573.....	16
Gearbox and Driveshaft Assembly.....	18
Main Driveshaft Assembly No. 138-9039.....	20
Rear Driveshaft Assembly No. 138-9040.....	22
Side Driveshaft Assembly No. 138-9041.....	24
Deck Assembly.....	26
Blade, Pulley and Spindle Assembly.....	28
Deck Assembly No. 138-9026.....	30
Double Spindle Assembly No. 137-3541.....	32
High Spindle Assembly No. 137-3542.....	34
Low Spindle Assembly No. 137-3543.....	36
Deck Mount and Deck Cover Assembly.....	38
Hydraulic Assembly.....	40
Attachments and Accessories.....	42

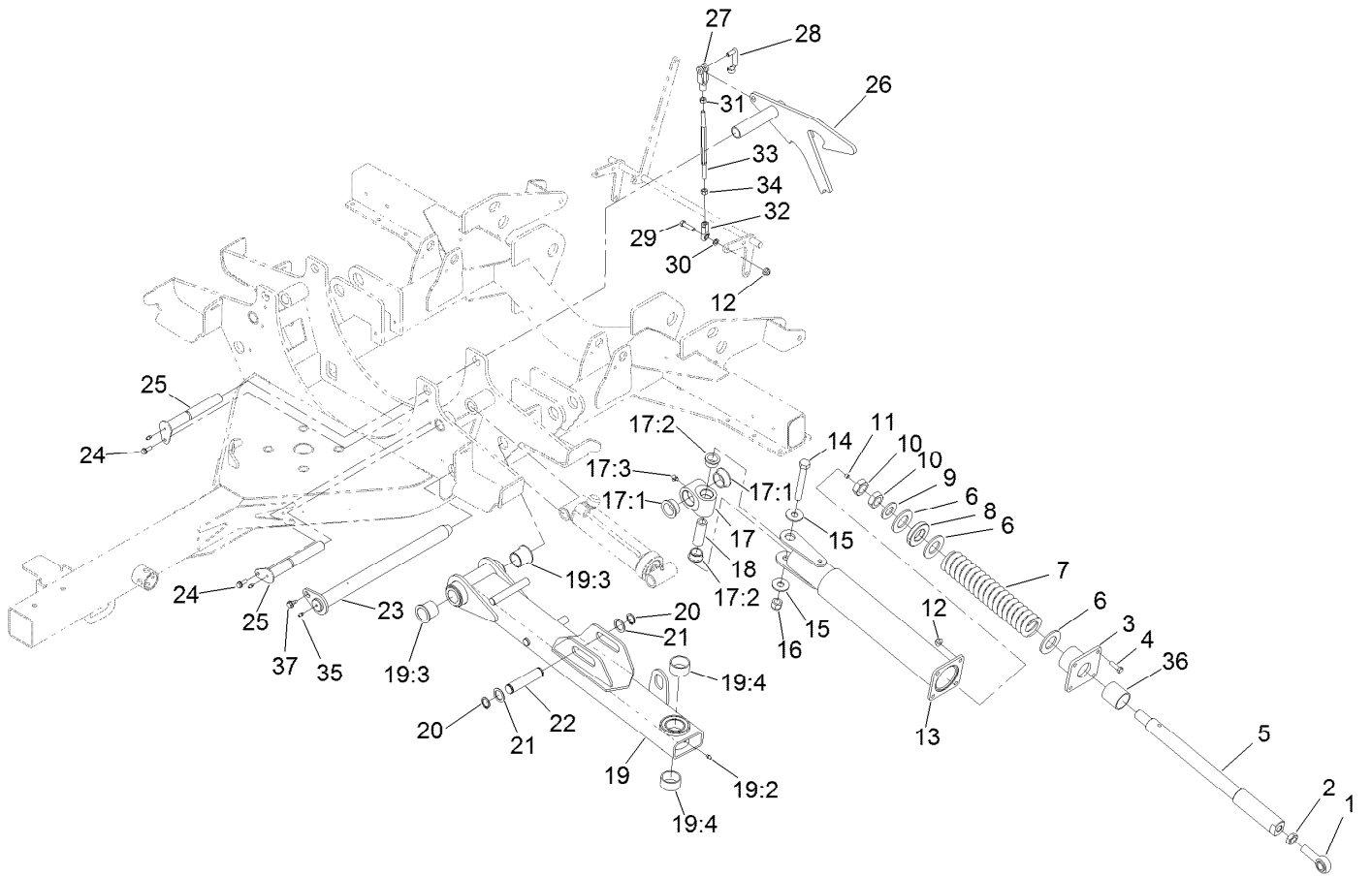
# Frame Assembly



## Frame Assembly (continued)

<i>Ref.</i>	<i>Part Number</i>	<i>Qty.</i>	<i>Description</i>	<i>Ref.</i>	<i>Part Number</i>	<i>Qty.</i>	<i>Description</i>
1	137-3501-01	1	Frame ASM	12	3290-343	1	Pin-Hair
2	137-3578-01	1	Hitch ASM	13	140-0037	1	Hitch Pin ASM
3	T0000-3423	1	Jack-Sidewind	16	99-5107	4	Nut-Lock
4	119-3920	2	Guide-Hose, RH	18	5-0652	4	Spacer
6	325-18	2	Screw-HH	20	110-4668	1	Decal-Warning, PTO
7	3256-26	4	Washer-Flat	22	133-8061	1	Decal-Warning
8	104-8301	4	Nut-HF, NI	23	120-0625	4	Decal-Warning
10	140-0015-01	1	Clevis ASM	24	325-19	2	Screw-HH
11	140-0013	1	Bushing-Flange, Uhmwpe				

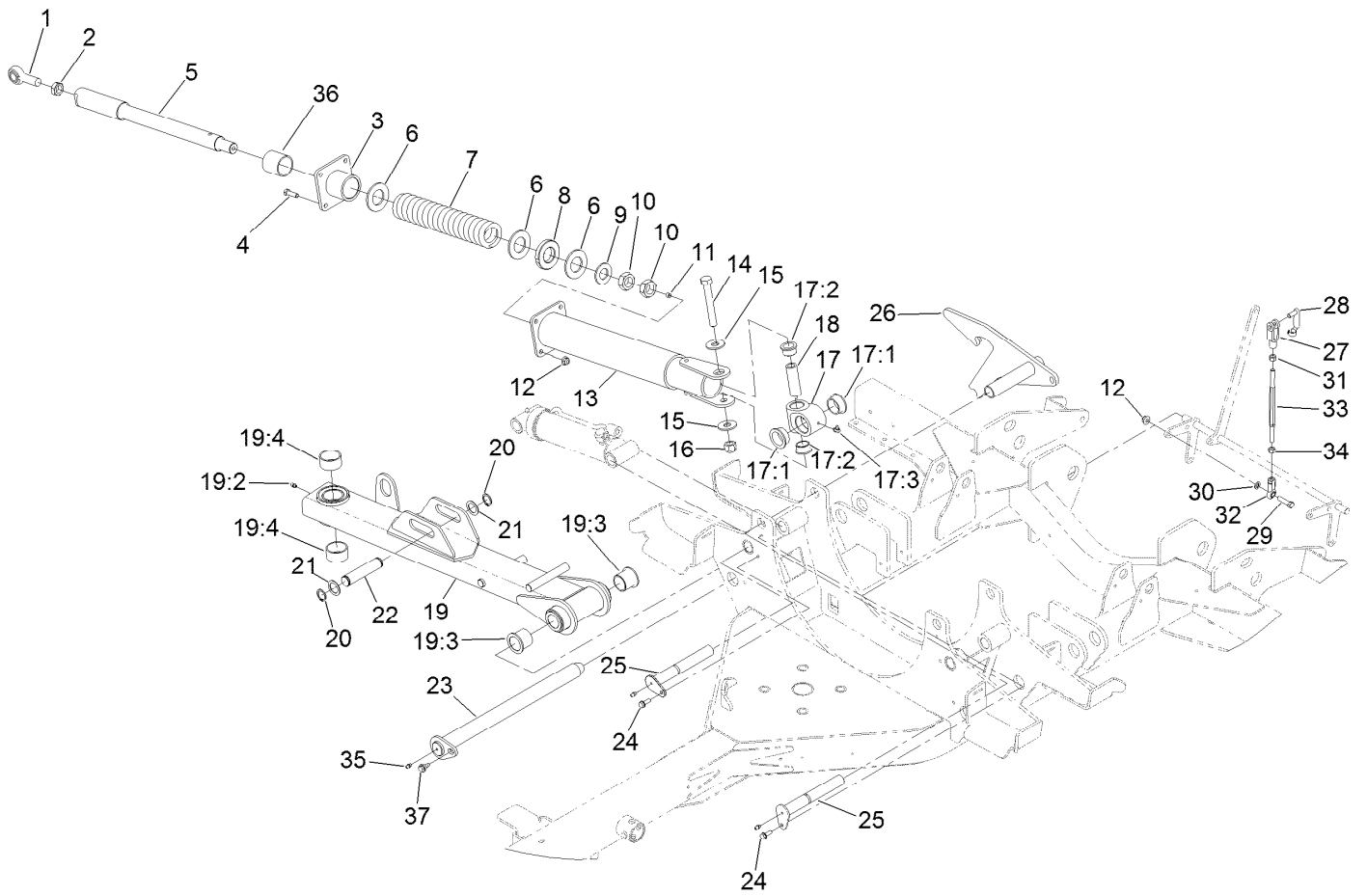
# Lift Arm Assembly No. 2



## Lift Arm Assembly No. 2 (continued)

<i>Ref.</i>	<i>Part Number</i>	<i>Qty.</i>	<i>Description</i>	<i>Ref.</i>	<i>Part Number</i>	<i>Qty.</i>	<i>Description</i>
1	105-2806	1	End-Rod	19:2	302-5	1	Fitting-Grease
2	3220-7	1	Nut-Jam	19:3	69-6470	2	Bushing-Caster
3	114-5677-03	1	Housing	19:4	114-5596	2	Bushing-Straight
4	323-7	4	Screw-HH	20	32151-36	2	Ring-Retaining
5	117-9404	1	Shaft-Spring	21	10-8110	2	Washer-Thrust
6	114-5986	3	Washer-Plain	22	138-5272	1	Pin-Cylinder
7	114-5993	1	Spring-Compression	23	137-3604	1	Pin-Arm, Lift
8	114-5992	1	Bearing-Plastic	24	32144-41	2	Screw-Taptite
9	3256-62	1	Washer-Flat	25	138-6330	2	Cylinder Pin ASM
10	3220-9	2	Nut-Jam	26	138-3068	1	LH Wing Latch ASM
11	285-17	1	Plug-Pipe	27	1-633131	1	Yoke-Linkage, Brake
12	104-8301	5	Nut-HF, NI	28	103-2399	1	Pin-Spring, Clevis
13	137-3599-01	1	Arm-Impact	29	323-8	1	Screw-HH
14	327-23	1	Screw-HH	30	3253-21	1	Washer-Lock
15	3256-7	2	Washer-Flat	31	3219-3	1	Nut-Hex
16	3296-53	1	Nut-Lock, NI	32	103-1167	1	Joint-Ball End, LH
17	115-5468	1	Pivot Hub ASM	33	137-3692	1	Rod-Adjuster, Wing
17:1	115-5469	2	Bushing-Flange	34	3219-20	1	Nut-Hex, LH
17:2	114-5680	2	Bushing-Flange	35	302-5	1	Fitting-Grease
17:3	302-60	1	Fitting-Grease	36	114-5989	1	Bushing-Plain
18	94-6604	1	Tube-Spacer	37	99-5105	1	Screw-Shoulder
19	137-3562	1	#2 Lift Arm ASM				

# Lift Arm Assembly No. 3

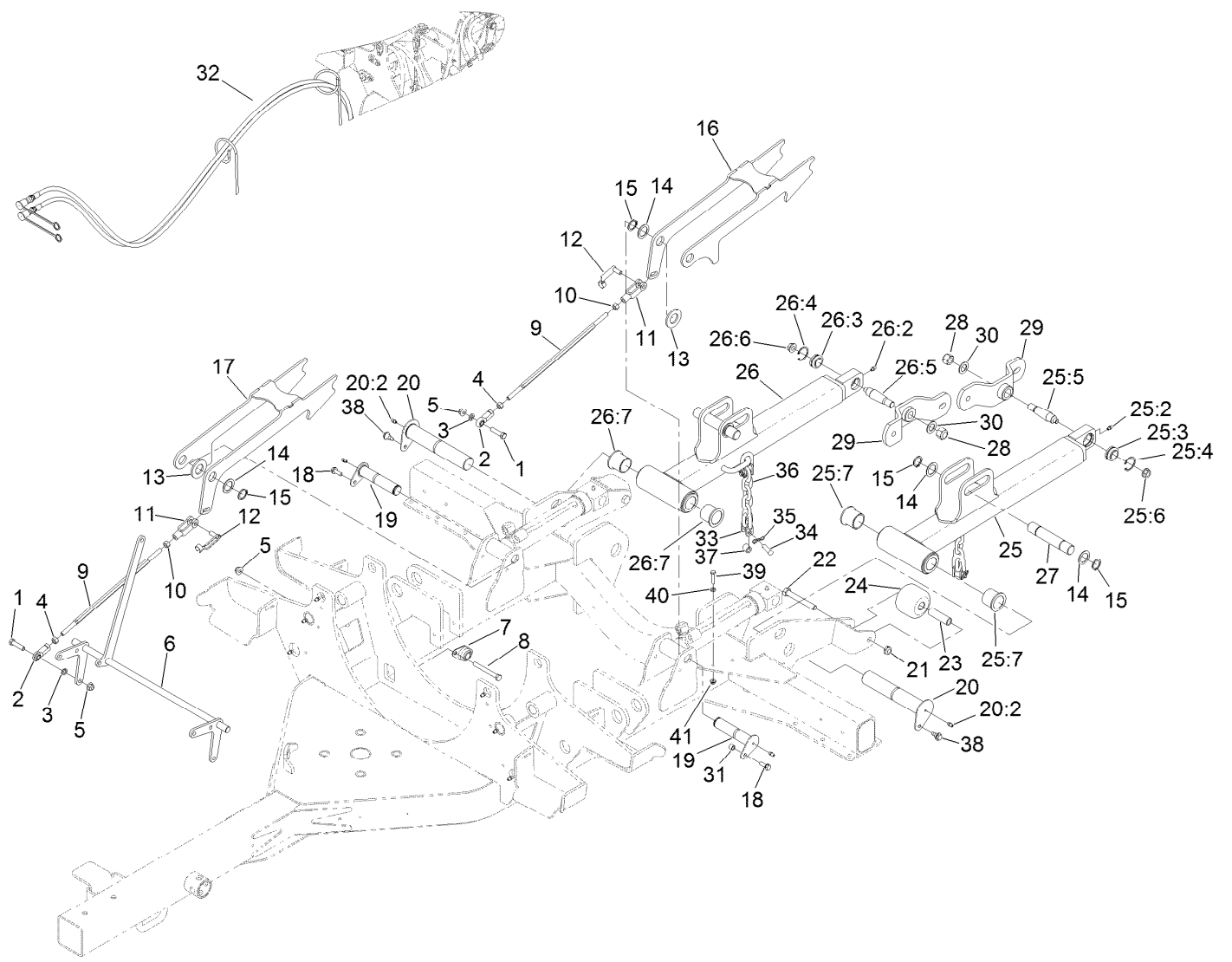




## Lift Arm Assembly No. 3 (continued)

<i>Ref.</i>	<i>Part Number</i>	<i>Qty.</i>	<i>Description</i>	<i>Ref.</i>	<i>Part Number</i>	<i>Qty.</i>	<i>Description</i>
1	105-2806	1	End-Rod	19:2	302-5	1	Fitting-Grease
2	3220-7	1	Nut-Jam	19:3	69-6470	2	Bushing-Caster
3	114-5677-03	1	Housing	19:4	114-5596	2	Bushing-Straight
4	323-7	4	Screw-HH	20	32151-36	2	Ring-Retaining
5	117-9404	1	Shaft-Spring	21	10-8110	2	Washer-Thrust
6	114-5986	3	Washer-Plain	22	138-5272	1	Pin-Cylinder
7	114-5993	1	Spring-Compression	23	137-3604	1	Pin-Arm, Lift
8	114-5992	1	Bearing-Plastic	24	32144-41	2	Screw-Taptite
9	3256-62	1	Washer-Flat	25	138-6330	2	Cylinder Pin ASM
10	3220-9	2	Nut-Jam	26	138-3069	1	RH Wing Latch ASM
11	285-17	1	Plug-Pipe	27	1-633131	1	Yoke-Linkage, Brake
12	104-8301	5	Nut-HF, NI	28	103-2399	1	Pin-Spring, Clevis
13	137-3599-01	1	Arm-Impact	29	323-8	1	Screw-HH
14	327-23	1	Screw-HH	30	3253-21	1	Washer-Lock
15	3256-7	2	Washer-Flat	31	3219-3	1	Nut-Hex
16	3296-53	1	Nut-Lock, NI	32	103-1167	1	Joint-Ball End, LH
17	115-5468	1	Pivot Hub ASM	33	137-3692	1	Rod-Adjuster, Wing
17:1	115-5469	2	Bushing-Flange	34	3219-20	1	Nut-Hex, LH
17:2	114-5680	2	Bushing-Flange	35	302-5	1	Fitting-Grease
17:3	302-60	1	Fitting-Grease	36	114-5989	1	Bushing-Plain
18	94-6604	1	Tube-Spacer	37	99-5105	1	Screw-Shoulder
19	137-3563	1	#3 Lift Arm ASM				

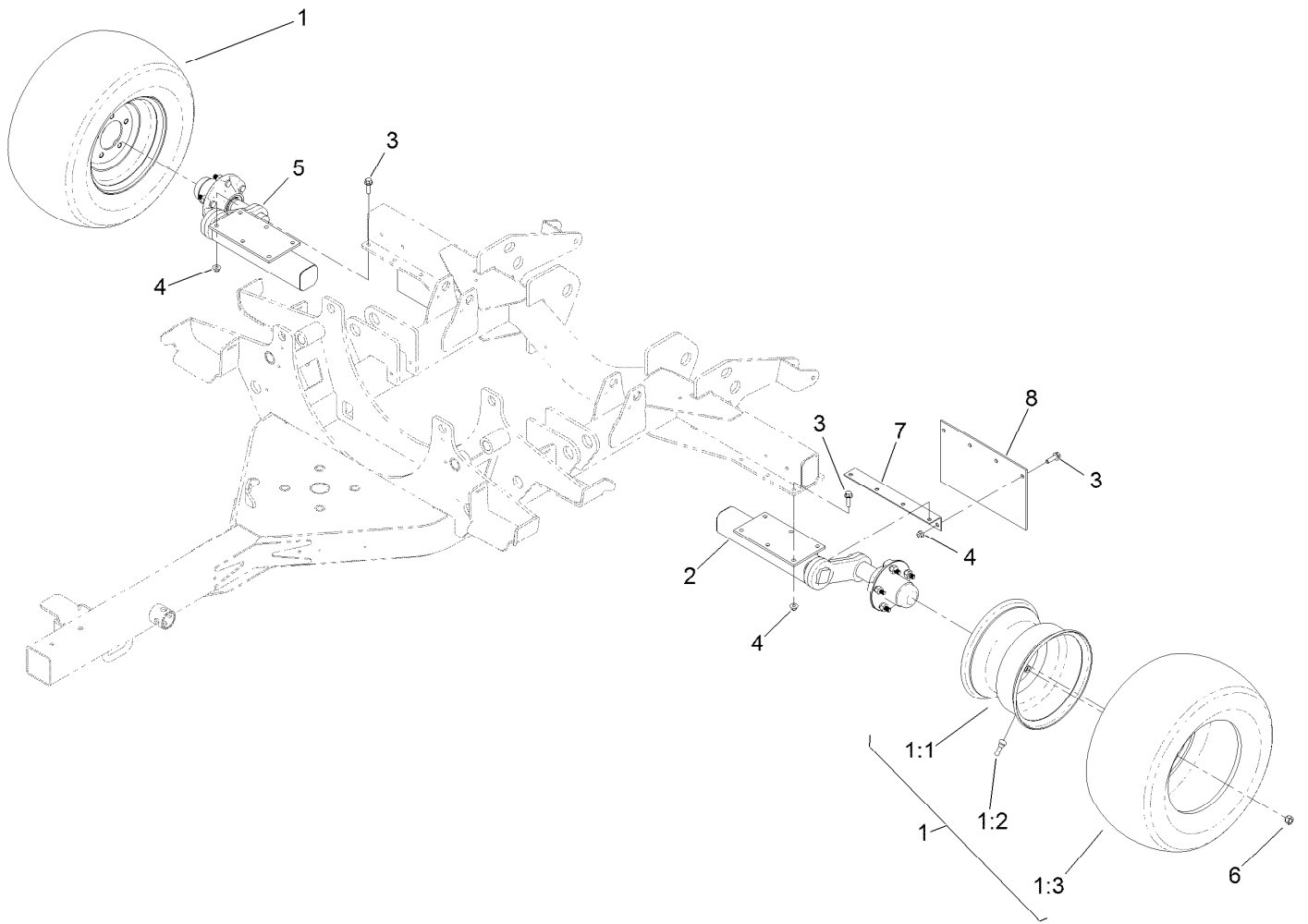
# Lift Arm Assembly No. 1



## Lift Arm Assembly No. 1 (continued)

<i>Ref.</i>	<i>Part Number</i>	<i>Qty.</i>	<i>Description</i>	<i>Ref.</i>	<i>Part Number</i>	<i>Qty.</i>	<i>Description</i>
1	323-8	2	Screw-HH	25:3	105-7441	1	Bearing-Spherical
2	103-1167	2	Joint-Ball End, LH	25:4	32151-34	1	Ring-Retaining
3	3253-21	2	Washer-Lock	25:5	105-7468	1	Stud-Tapered
4	3219-20	2	Nut-Hex, LH	25:6	32128-42	1	Nut-HF
5	104-8301	6	Nut-HF, NI	25:7	69-6470	2	Bushing-Caster
6	137-3688-03	1	Latch Shaft ASM	26	137-3584	1	#1 Lift Arm RH ASM
7	256-236	2	Bearing-Mount, Flange	26:2	302-5	1	Fitting-Grease
8	323-20	4	Screw-HH	26:3	105-7441	1	Bearing-Spherical
9	137-3691	2	Rod-Adjuster, Rear	26:4	32151-34	1	Ring-Retaining
10	3219-3	2	Nut-Hex	26:5	105-7468	1	Stud-Tapered
11	1-633131	2	Yoke-Linkage, Brake	26:6	32128-42	1	Nut-HF
12	103-2399	2	Pin-Spring, Clevis	26:7	69-6470	2	Bushing-Caster
13	3256-62	2	Washer-Flat	27	137-3617	2	Pin-Cylinder
14	10-8110	6	Washer-Thrust	28	3296-41	2	Nut-Lock NI
15	32151-36	6	Ring-Retaining	29	137-3581-01	2	Hub Support ASM
16	140-0007	1	LH Rear Latch ASM	30	86-1440	2	Washer-Flat
17	140-0008	1	RH Rear Latch ASM	31	105-5723	2	Spacer-Tube
18	32144-41	2	Screw-Taptite	32	20-9580	1	Rope-Latch
19	138-6331	2	Lift Arm Pin ASM	33	5-2942	4	Shackle
20	138-6332	2	Lift Arm Pin ASM	34	283-42	4	Pin-Clevis
20:2	302-5	1	Fitting-Grease	35	119-1415	4	Pin-Cotter, Locking
21	3296-45	2	Nut-Hex	36	138-5274	2	Chain-6 Link
22	325-15	2	Screw-HH	37	75-5270	2	Spacer-Knob, Seat
23	115-2144	2	Tube-Spacer	38	99-5105	2	Screw-Shoulder
24	115-3366	2	Roller	39	114-0282	2	Screw-HH
25	137-3561	1	#1 Lift Arm LH ASM	40	3218-1	2	Nut-Jam
25:2	302-5	1	Fitting-Grease	41	104-7201	2	Nut-HF

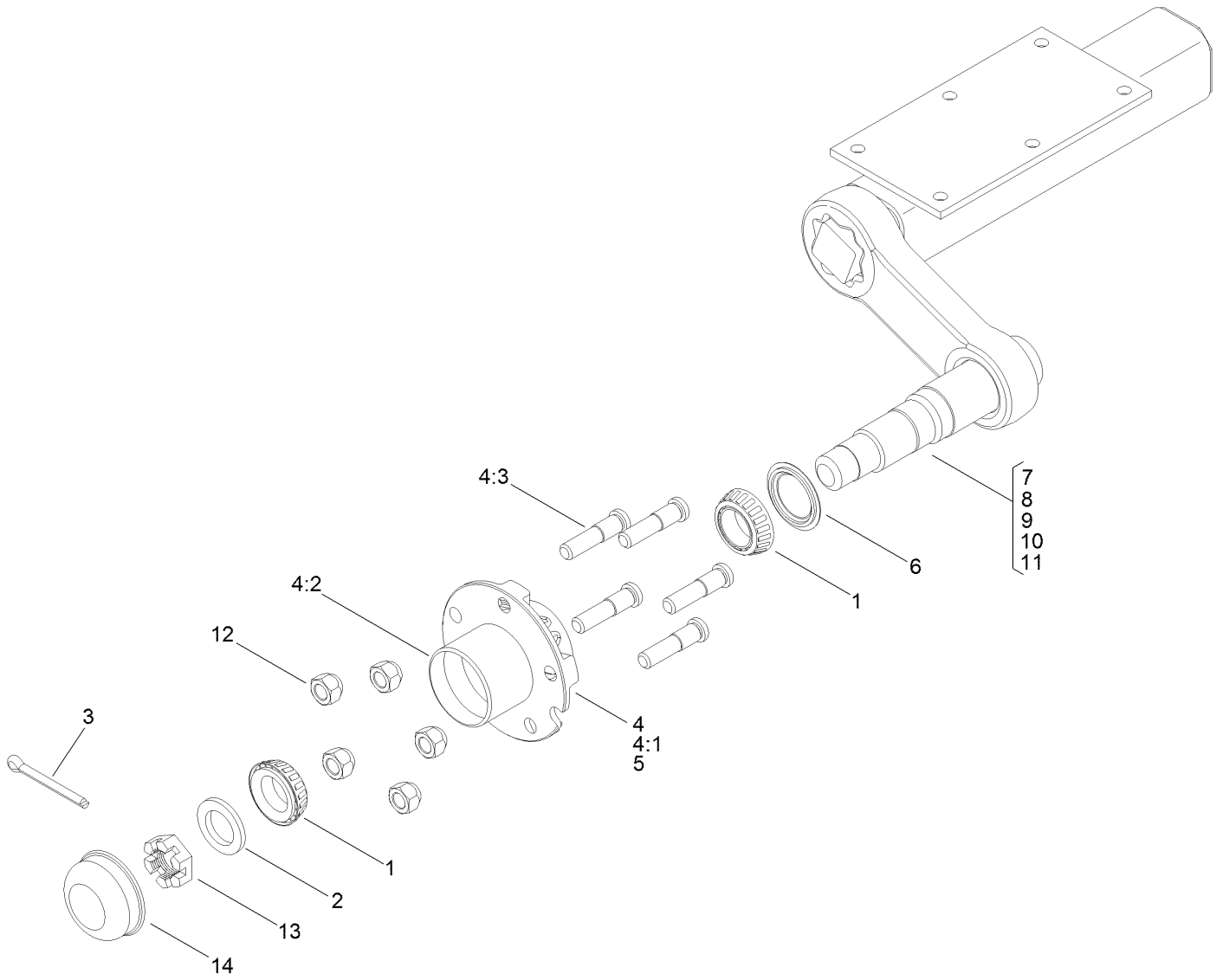
# Tire and Axle Assembly



## Tire and Axle Assembly (continued)

<i>Ref.</i>	<i>Part Number</i>	<i>Qty.</i>	<i>Description</i>	<i>Ref.</i>	<i>Part Number</i>	<i>Qty.</i>	<i>Description</i>
1	137-3571	2	Tire ASM	4	104-8301	20	Nut-HF, NI
1:1	115-1573	1	Rim	5	137-3573	1	RH Torsion Axle ASM
1:2	232-27	1	Stem-Valve	6	242-35	10	Nut-Wheel
1:3	120-8910	1	Tire-Off Road	7	138-9006-03	2	Bracket-Flap
2	137-3572	1	LH Torsion Axle ASM	8	138-9007	2	Flap-Rubber
3	3234-24	20	Screw-HHF				

# LH Torsion Axle Assembly No. 137-3572

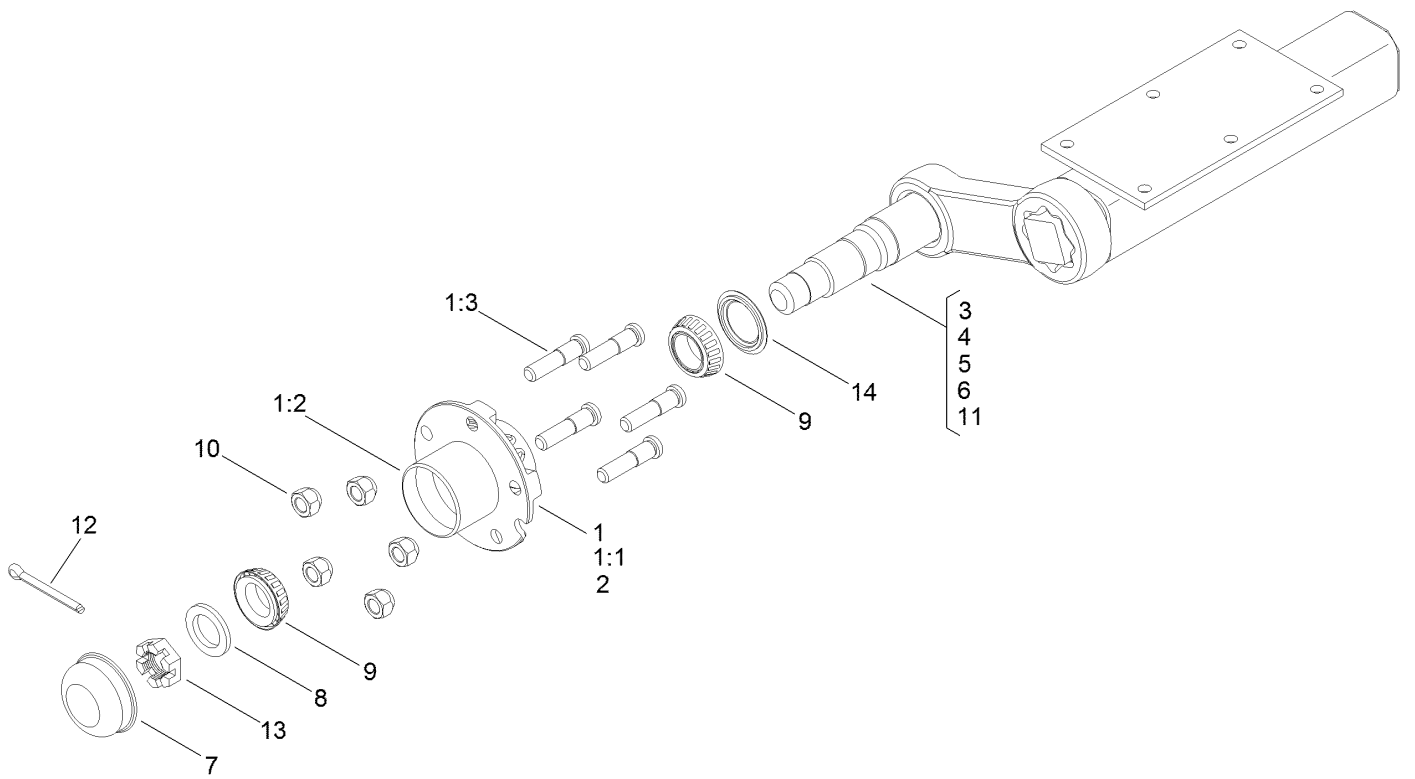


# LH Torsion Axle Assembly No. 137-3572 (continued)

<i>Ref.</i>	<i>Part Number</i>	<i>Qty.</i>	<i>Description</i>	<i>Ref.</i>	<i>Part Number</i>	<i>Qty.</i>	<i>Description</i>
1	254-62	2	Bearing-Roller, Cone	7		1	Tube And Bracket ASM ●
2	137-3596	1	Washer-Spindle	8		4	Cord-Rubber ●
3	3272-18	1	Pin-Cotter	9		1	Sticker-Rubber, Torsion ●
4	119-6001	1	Hub ASM	10		1	Sticker-Axle, Serial Tag ●
4:1		1	Hub ●	11		1	Idler ●
4:2	115-9471	2	Bearing-Cup	12	242-35	5	Nut-Wheel
4:3	69-2990	5	Stud-Wheel	13	119-6005	1	Nut-Slotted, Hex
5		1	Grease ●	14	119-6004	1	Cap-Dust
6	137-3595	1	Seal				

● Not serviced separately

# RH Torsion Axle Assembly No. 137-3573



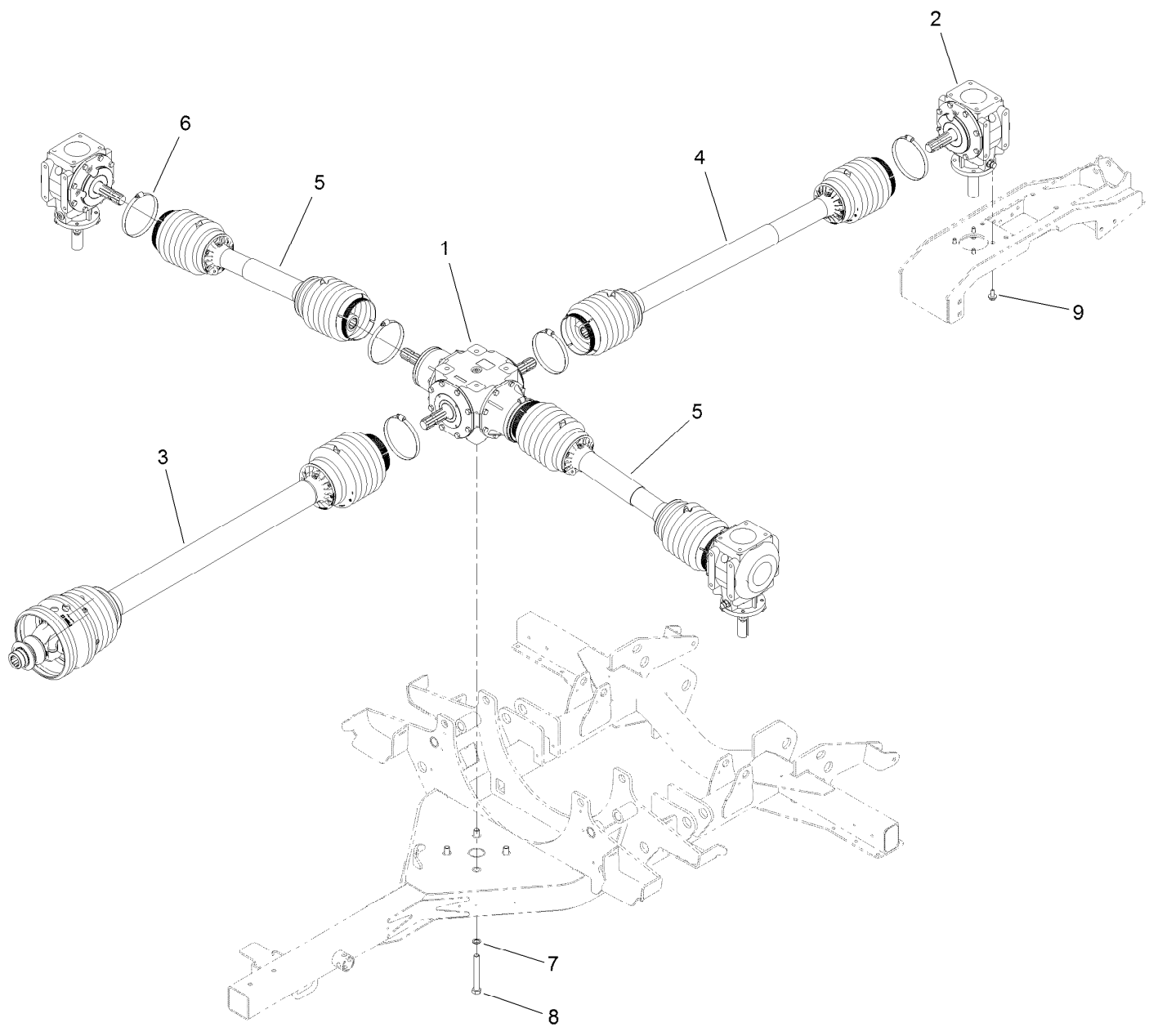


# RH Torsion Axle Assembly No. 137-3573 (continued)

<i>Ref.</i>	<i>Part Number</i>	<i>Qty.</i>	<i>Description</i>	<i>Ref.</i>	<i>Part Number</i>	<i>Qty.</i>	<i>Description</i>
1	119-6001	1	Hub ASM	7	119-6004	1	Cap-Dust
1:1		1	Hub ●	8	137-3596	1	Washer-Spindle
1:2	115-9471	2	Bearing-Cup	9	254-62	2	Bearing-Roller, Cone
1:3	69-2990	5	Stud-Wheel	10	242-35	5	Nut-Wheel
2		1	Grease ●	11		1	Idler ●
3		1	Sticker-Axle, Serial Tag ●	12	3272-18	1	Pin-Cotter
4		1	Tube And Bracket ASM ●	13	119-6005	1	Nut-Slotted, Hex
5		4	Cord-Rubber ●	14	137-3595	1	Seal
6		1	Sticker-Rubber, Torsion ●				

● Not serviced separately

# Gearbox and Driveshaft Assembly

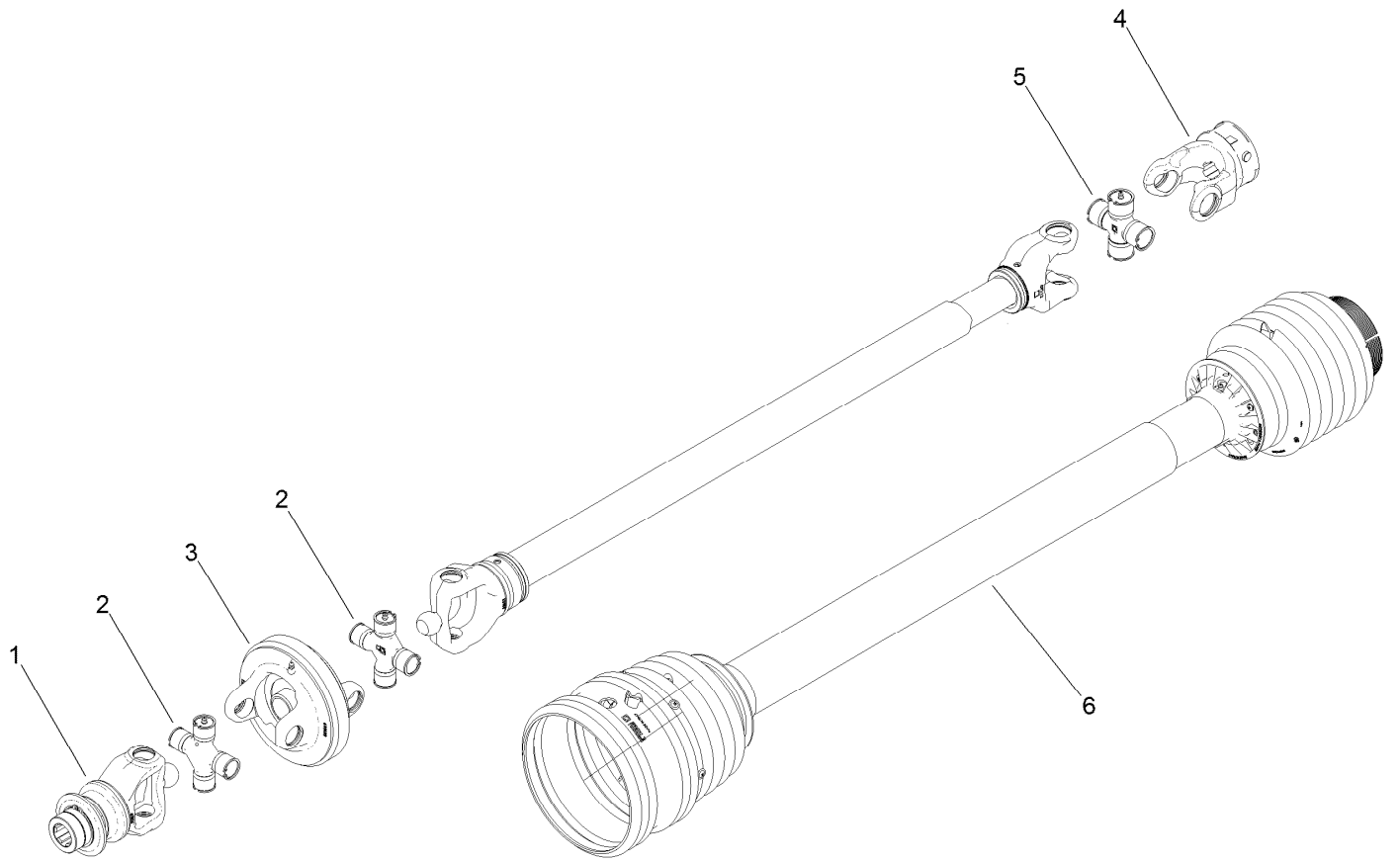


## Gearbox and Driveshaft Assembly (continued)

<i>Ref.</i>	<i>Part Number</i>	<i>Qty.</i>	<i>Description</i>	<i>Ref.</i>	<i>Part Number</i>	<i>Qty.</i>	<i>Description</i>
1	139-3154	1	Gearbox-Center	7	3256-69	4	Washer-Flat
2	139-3153	3	Gearbox-Deck	8	327-11	4	Screw-HH
3	138-9039	1	Driveshaft-Main	9	33106-025	12	Screw-HHF
4	138-9040	1	Driveshaft-Rear	99	138-9038	4	Decal-Danger, Entanglement ●
5	138-9041	2	Driveshaft-Side				
6	138-9005	7	Clamp-Hose				

● Not illustrated

# Main Driveshaft Assembly No. 138-9039



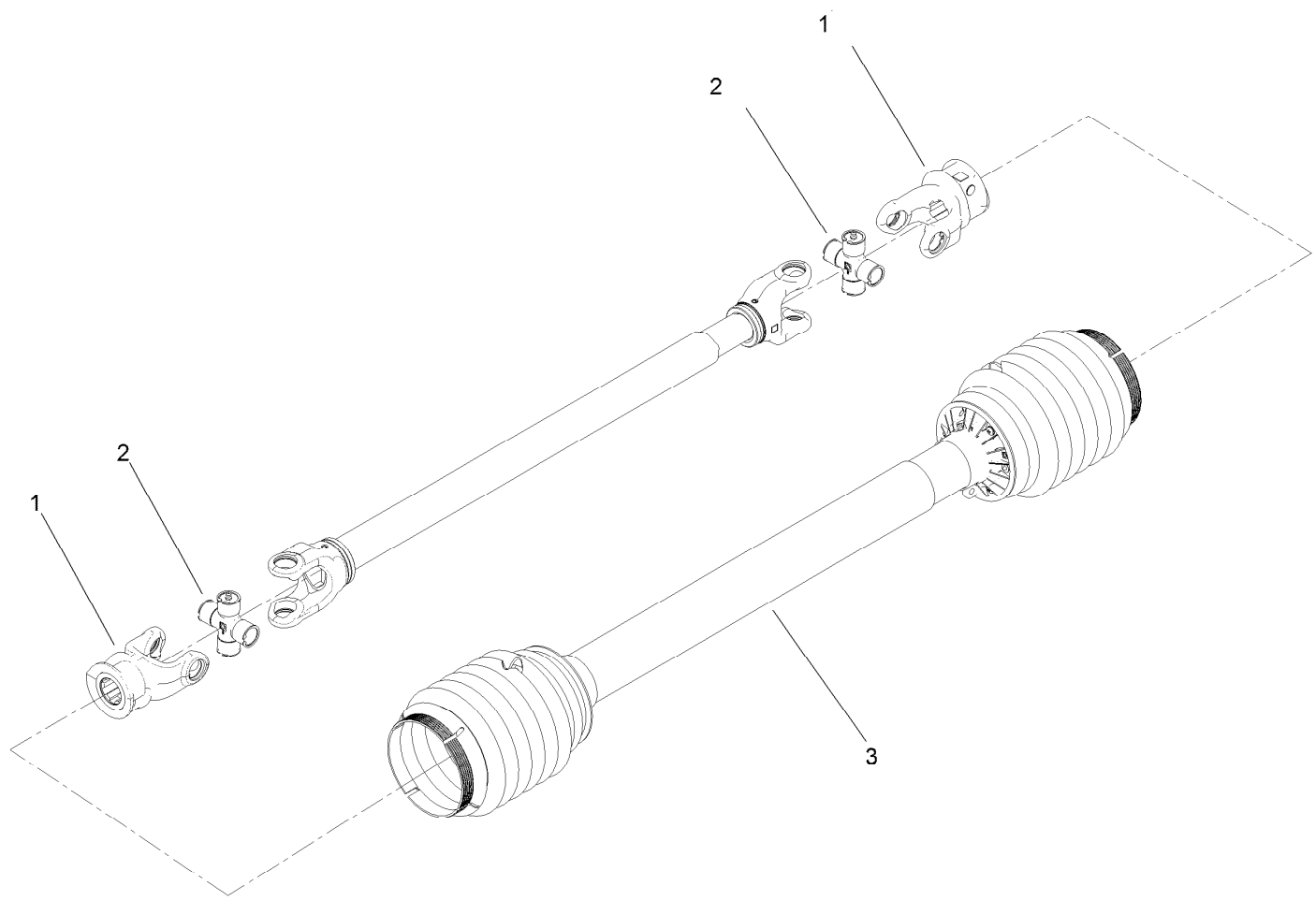
# Main Driveshaft Assembly No. 138-9039 (continued)

<i>Ref.</i>	<i>Part Number</i>	<i>Qty.</i>	<i>Description</i>
1	138-9045	1	Yoke-Cv
2	138-9043	2	Cv Cross Kit
3	138-9046	1	Body-Cv
4	138-9047	1	Yoke

<i>Ref.</i>	<i>Part Number</i>	<i>Qty.</i>	<i>Description</i>
5	138-9044	1	Cross Kit
6	138-9042	1	Shield-Shaft, Main
99	119-3113	2	Chain-Safety ●

● Not illustrated

# Rear Driveshaft Assembly No. 138-9040

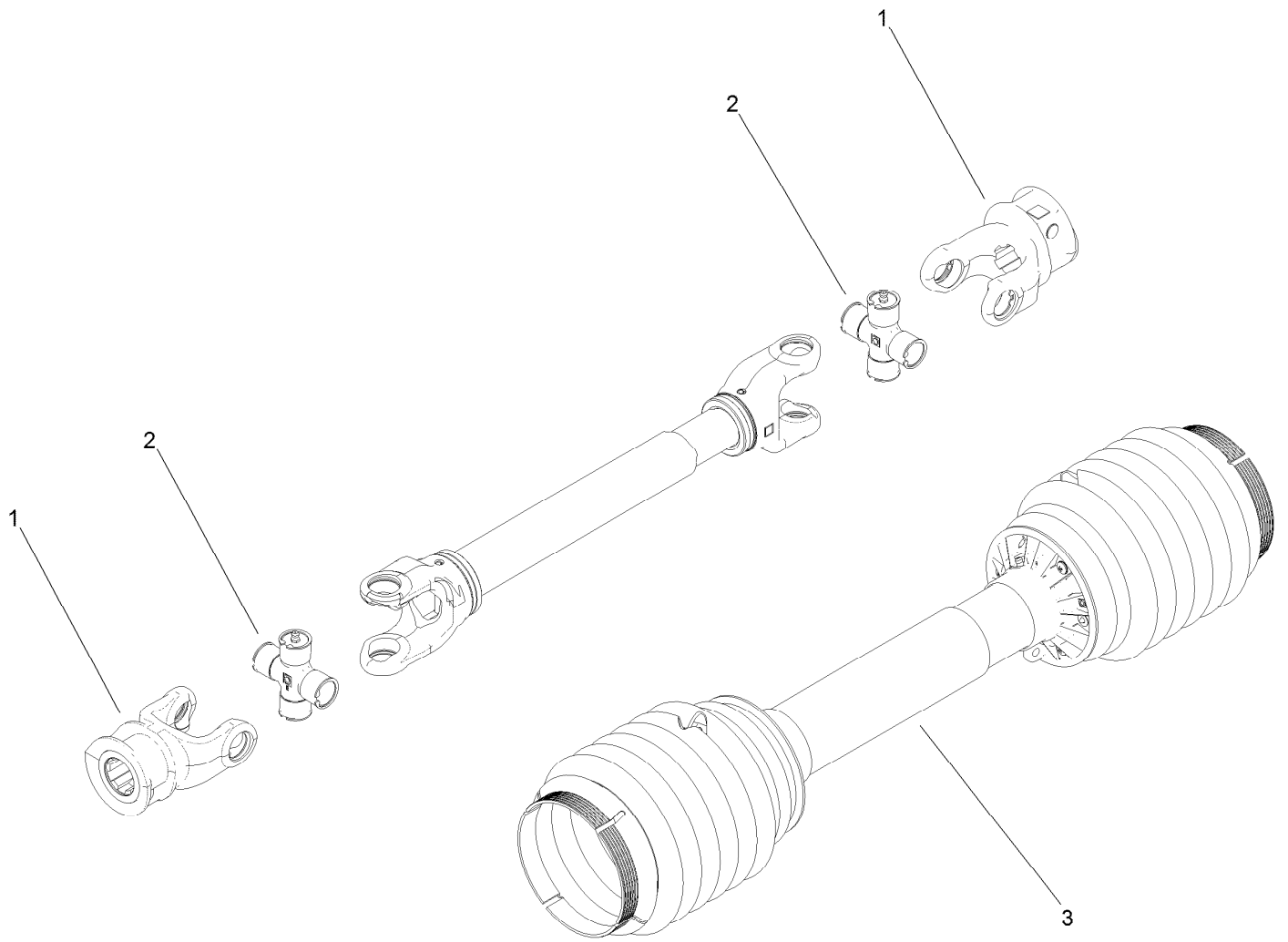


# Rear Driveshaft Assembly No. 138-9040 (continued)

<i>Ref.</i>	<i>Part Number</i>	<i>Qty.</i>	<i>Description</i>	<i>Ref.</i>	<i>Part Number</i>	<i>Qty.</i>	<i>Description</i>
1	139-3150	2	Yoke	3	139-3151	1	Shield-Shaft, Rear
2	138-9049	2	Cross Kit	99	119-3113	2	Chain-Safety ●

● Not illustrated

# Side Driveshaft Assembly No. 138-9041



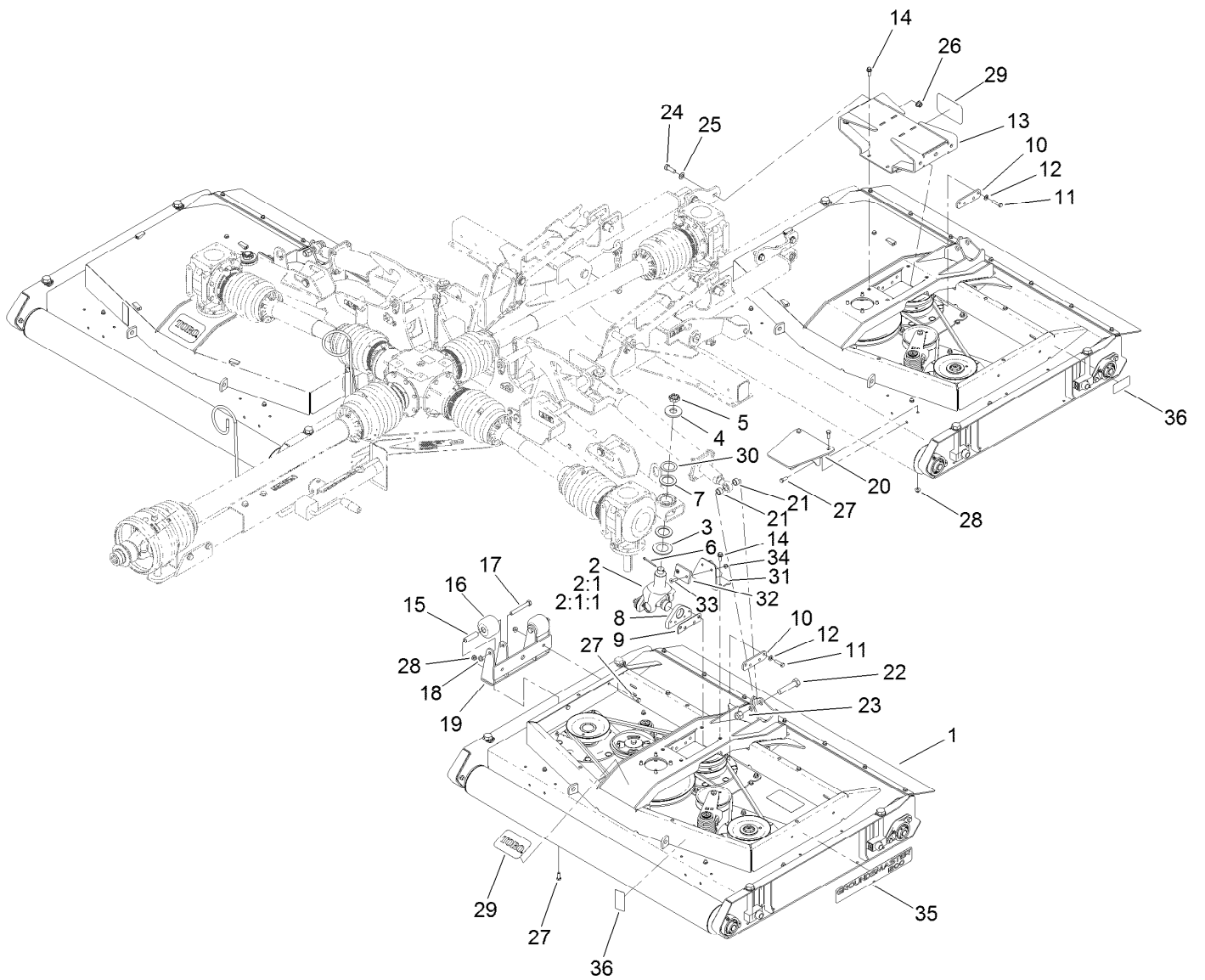


## Side Driveshaft Assembly No. 138-9041 (continued)

<i>Ref.</i>	<i>Part Number</i>	<i>Qty.</i>	<i>Description</i>	<i>Ref.</i>	<i>Part Number</i>	<i>Qty.</i>	<i>Description</i>
1	139-3150	2	Yoke	3	139-3152	1	Shield-Shaft, Side
2	138-9049	2	Cross Kit	99	119-3113	2	Chain-Safety ●

● Not illustrated

# Deck Assembly

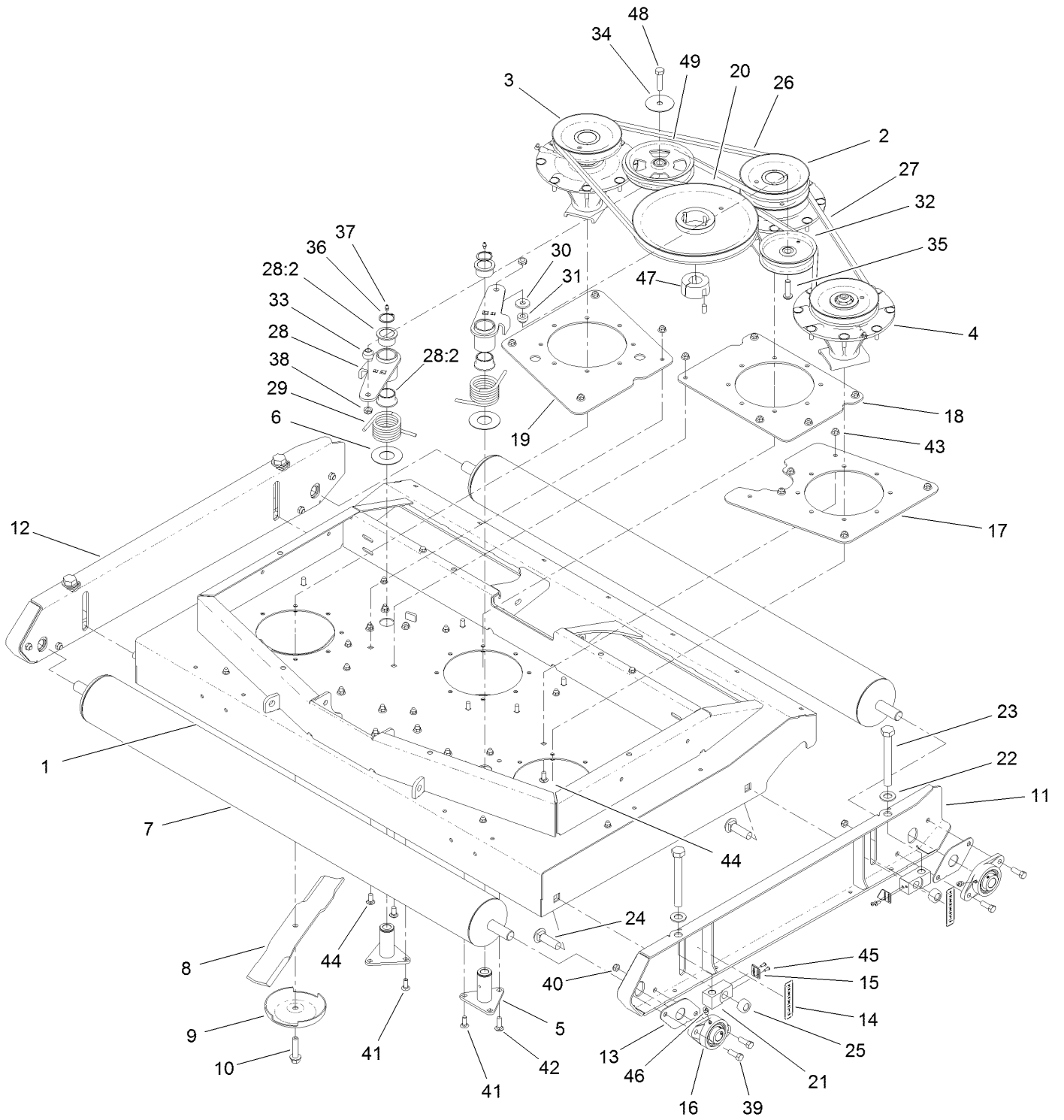


## Deck Assembly (continued)

<i>Ref.</i>	<i>Part Number</i>	<i>Qty.</i>	<i>Description</i>	<i>Ref.</i>	<i>Part Number</i>	<i>Qty.</i>	<i>Description</i>
1		3	Deck ASM ●	18	3296-45	4	Nut-Hex
2	114-5640-03	2	Joint Yoke ASM	19	137-3680-01	2	Roller-Kicker
2:1		1	Yoke-Joint ●	20	137-3696-01	2	Plate-Kicker
2:1:1	104-4299	1	Cross And Bearing Kit	21	74-3730	4	Spacer-Spindle, Rear
3	104-0720	2	Spacer	22	328-5	2	Screw-HH
4	104-0719	2	Washer-Hardened	23	3296-51	2	Nut-Lock, NI
5	99-3139	2	Nut-Slotted	24	325-6	4	Screw-HH
6	3272-25	2	Pin-Cotter	25	3256-26	4	Washer-Flat
7	104-0721	4	Washer-Thrust	26	99-5107	4	Nut-Lock
8	137-3699-03	4	Mount-Base	27	323-6	16	Screw-HH
9	104-0731	4	Shim	28	104-8301	16	Nut-HF, NI
10	139-3161	6	Plate-Spacer	29	127-1653	3	Decal
11	323-43	20	Screw-HH	30	114-5641	2	Washer-Thrust
12	100-4852	20	Washer-Hardened	31	138-9000-03	2	Stop-Deck
13	137-3675-03	1	Mount-Deck	32	69-9290	2	Pad-Bumper
14	3234-42	8	Screw-HHF	33	32108-103	4	Screw-FH
15	115-2144	4	Tube-Spacer	34	104-8300	4	Nut-HF, NI
16	115-3366	4	Roller	35	138-3085	2	Decal
17	325-15	4	Screw-HH	36	125-6110	4	Decal-Danger

● Not serviced separately

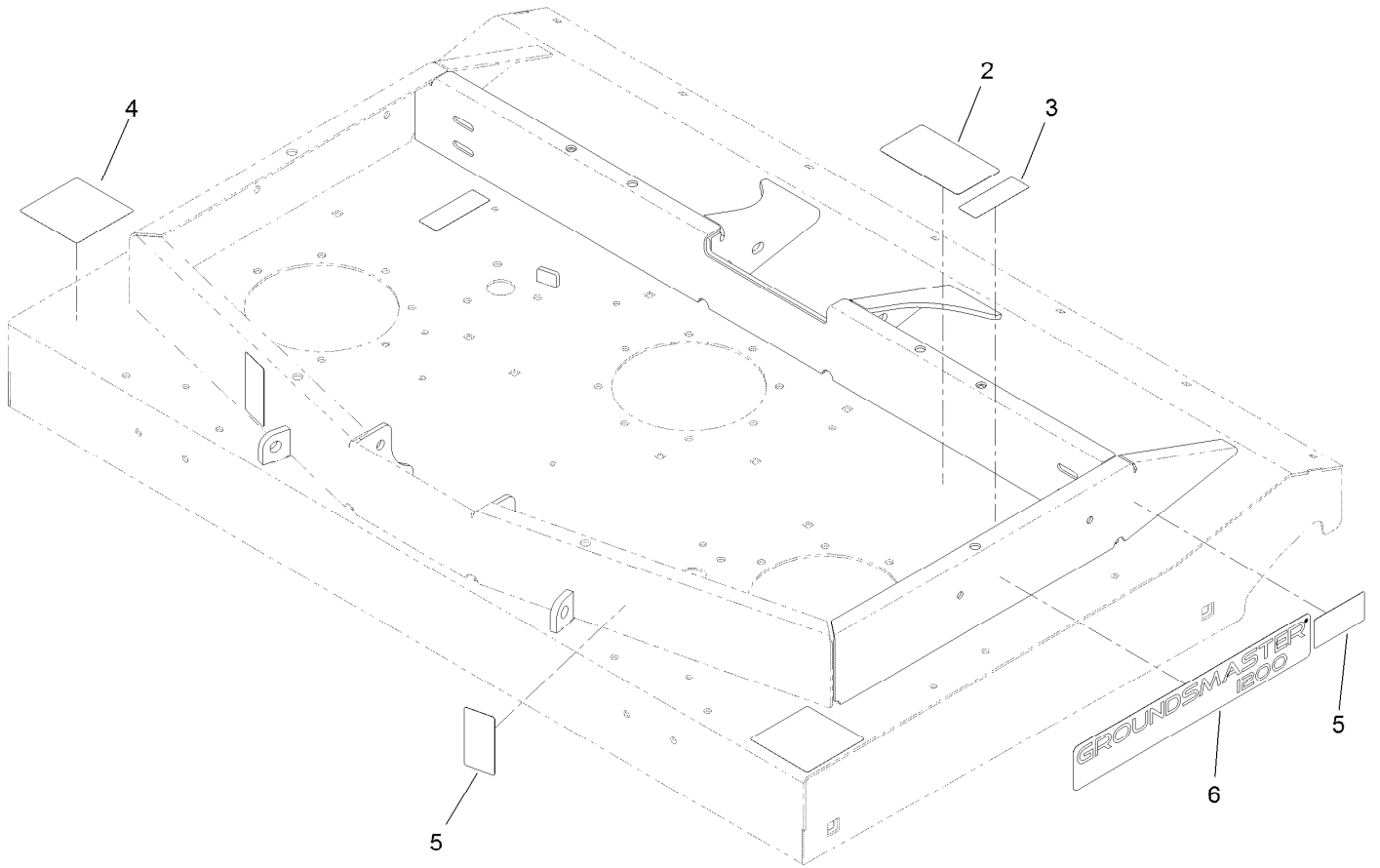
# Blade, Pulley and Spindle Assembly



## Blade, Pulley and Spindle Assembly (continued)

<i>Ref.</i>	<i>Part Number</i>	<i>Qty.</i>	<i>Description</i>	<i>Ref.</i>	<i>Part Number</i>	<i>Qty.</i>	<i>Description</i>
1	138-9026	1	Deck Shell ASM	26	137-3644	1	Belt-V
2	137-3541	1	Double Spindle ASM	27	137-3645	1	Belt-V
3	137-3542	1	High Spindle ASM	28	137-3649	2	Idler Arm ASM
4	137-3543	1	Low Spindle ASM	28:2	93-4510	2	Bushing-Caster
5	114-0997	2	Pivot-Idler	29	112-7395	2	Spring-Torsion
6	108-1926	2	Washer	30	92-2651	1	Washer
7	140-0016	2	Roller ASM	31	121-5274	1	Spacer-Idler
8	137-3659-03	3	Blade-Lift, Medium	32	1-613098	1	Pulley-Idler
9	72-9361	3	Cup-Scalp, Anti	33	69-6970	1	Spacer-Idler, Flat
10	104-2444	3	Bolt-Blade, LH Thread	34	100-3102	1	Washer-Flat
11	138-3083-01	1	Skid-LH	35	108-1993	1	Screw-HSBH
12	138-3084-01	1	Skid-RH	36	32120-84	2	Ring-Snap, External
13	138-5271	4	Shim-Bearing	37	302-5	2	Fitting-Grease
14	138-3087	4	Decal-HOC	38	3296-45	2	Nut-Hex
15	138-3098	4	Indicator-HOC	39	324-5	8	Screw-HH
16	138-5270	4	Bearing-Flange, 2 Bolt	40	126-9780	8	Nut-Lock
17	137-3635-01	1	Plate-Doubler, LH	41	3231-22	4	Screw-CARR
18	137-3636-01	1	Plate-Doubler, Center	42	3231-25	2	Bolt-CARR
19	137-3637-01	1	Plate-Doubler, RH	43	104-8301	43	Nut-HF, NI
20	138-5283	1	Pulley-Drive	44	3231-27	13	Screw-CARR
21	138-3086	4	Block-HOC	45	115-9830	8	Screw-HSBH
22	3256-28	4	Washer-Flat	46	302-33	4	Fitting-Grease
23	137-3648	4	Screw-HHCS	47	137-3660	1	Bushing-Taperlock
24	HDW17555	4	Bolt-Carriage	48	325-8	1	Screw-HH
25	138-3092	4	Nut-Hex	49	132-9421	1	Pulley-Idler, Flat

# Deck Assembly No. 138-9026

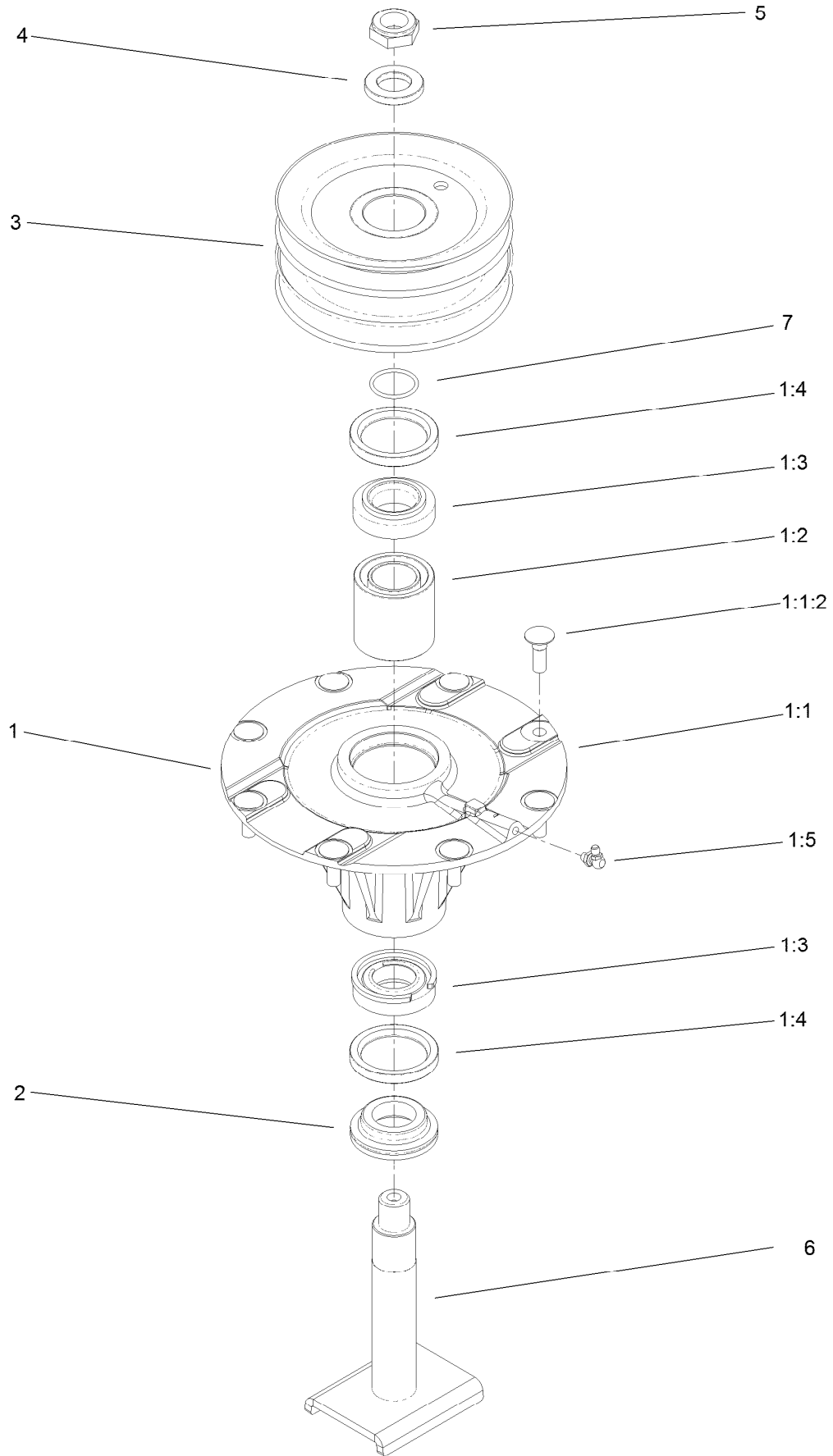


## Deck Assembly No. 138-9026 (continued)

<i>Ref.</i>	<i>Part Number</i>	<i>Qty.</i>	<i>Description</i>
2	138-3078	1	Decal-Routing, Belt
3	117-4979	2	Decal-Warning
4	120-6604	2	Decal-Danger

<i>Ref.</i>	<i>Part Number</i>	<i>Qty.</i>	<i>Description</i>
5	125-6110	4	Decal-Danger
6	138-3085	2	Decal

# Double Spindle Assembly No. 137-3541



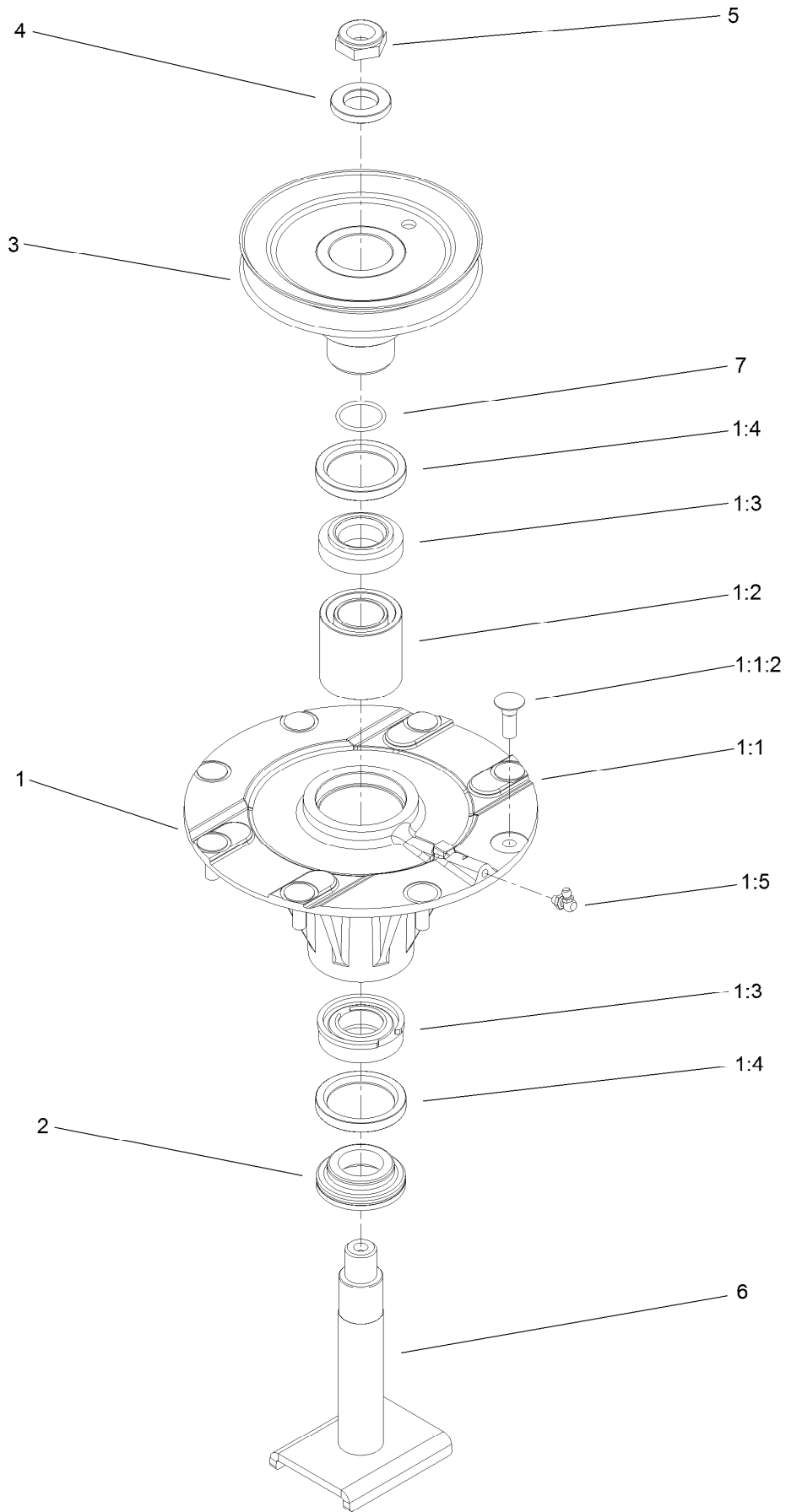


## Double Spindle Assembly No. 137-3541 (continued)

<i>Ref.</i>	<i>Part Number</i>	<i>Qty.</i>	<i>Description</i>	<i>Ref.</i>	<i>Part Number</i>	<i>Qty.</i>	<i>Description</i>
1	119-4777	1	Spindle ASM	2	69-6950	1	Spacer-Shaft, Spindle
1:1		1	Spindle ASM ●	3	137-3622	1	Double Pulley ASM
1:1:2	114-8195	8	Bolt-Neck, Ribbed	4	120-5576	1	Washer-Hardened
1:2	108-1954	1	Bearing Spacer Set	5	3296-60	1	Nut-Lock, NI
1:3	110-8297	1	Bearing ASM	6	137-3545	1	Shaft-Spindle
1:4	253-154	2	Seal-Oil	7	106-7159	1	O-Ring
1:5	302-60	1	Fitting-Grease				

● Not serviced separately

# High Spindle Assembly No. 137-3542

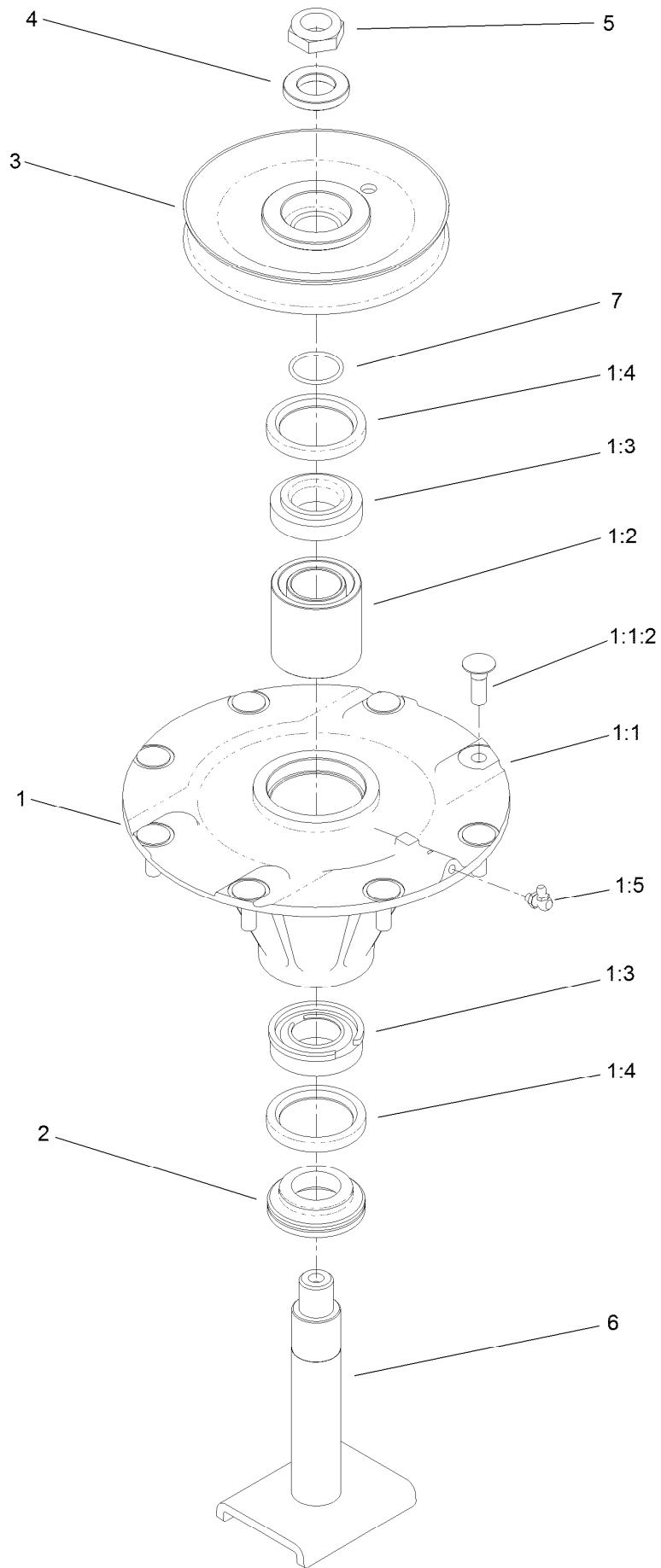


# High Spindle Assembly No. 137-3542 (continued)

<i>Ref.</i>	<i>Part Number</i>	<i>Qty.</i>	<i>Description</i>	<i>Ref.</i>	<i>Part Number</i>	<i>Qty.</i>	<i>Description</i>
1	119-4777	1	Spindle ASM	2	69-6950	1	Spacer-Shaft, Spindle
1:1		1	Spindle ASM ●	3	137-3627	1	Single Pulley ASM
1:1:2	114-8195	8	Bolt-Neck, Ribbed	4	120-5576	1	Washer-Hardened
1:2	108-1954	1	Bearing Spacer Set	5	3296-60	1	Nut-Lock, NI
1:3	110-8297	1	Bearing ASM	6	137-3545	1	Shaft-Spindle
1:4	253-154	2	Seal-Oil	7	106-7159	1	O-Ring
1:5	302-60	1	Fitting-Grease				

● Not serviced separately

# Low Spindle Assembly No. 137-3543

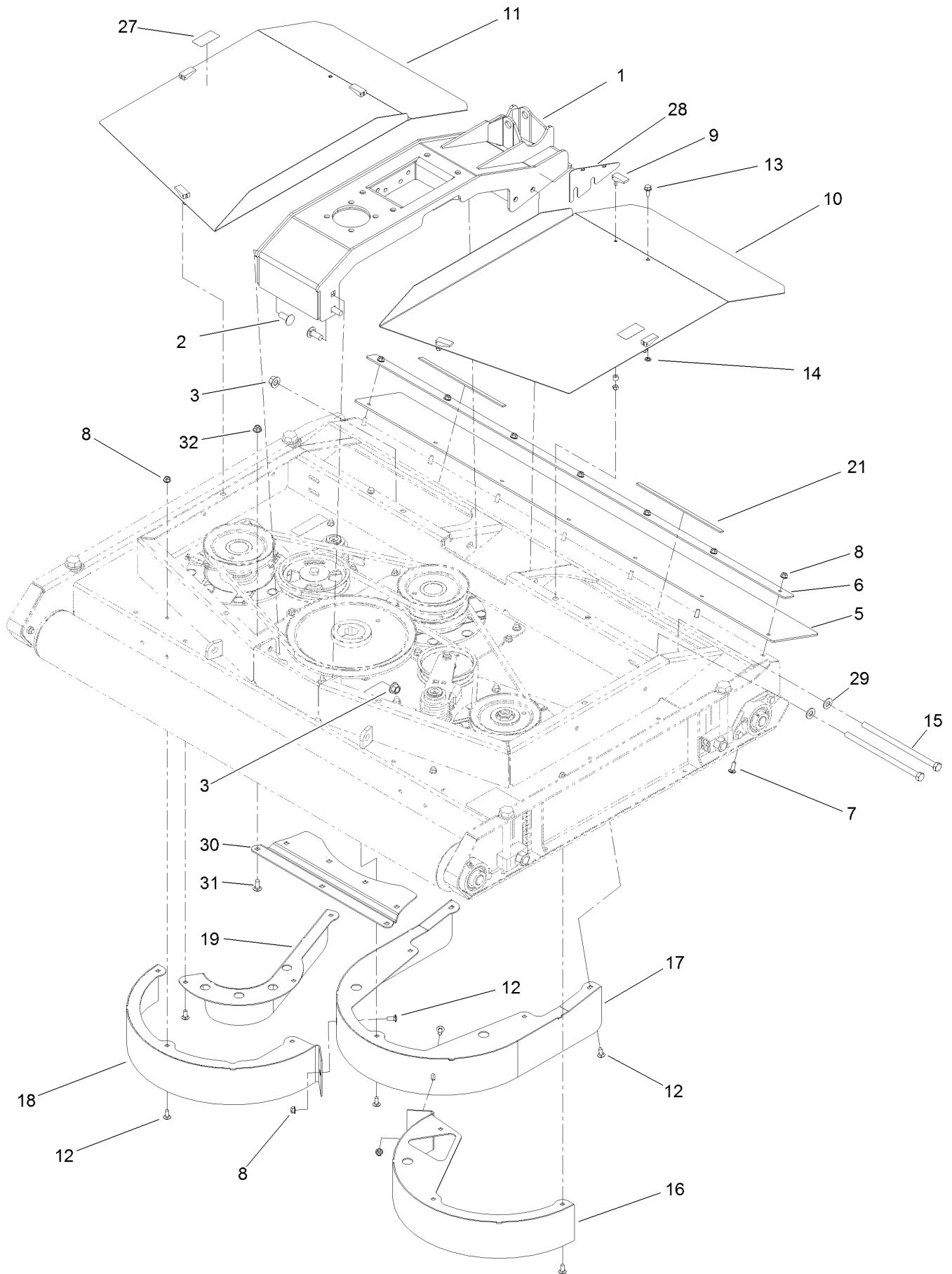


## Low Spindle Assembly No. 137-3543 (continued)

<i>Ref.</i>	<i>Part Number</i>	<i>Qty.</i>	<i>Description</i>	<i>Ref.</i>	<i>Part Number</i>	<i>Qty.</i>	<i>Description</i>
1	119-4777	1	Spindle ASM	2	69-6950	1	Spacer-Shaft, Spindle
1:1		1	Spindle ASM ●	3	137-3629	1	Pulley-Driven, Low
1:1:2	114-8195	8	Bolt-Neck, Ribbed	4	120-5576	1	Washer-Hardened
1:2	108-1954	1	Bearing Spacer Set	5	3296-60	1	Nut-Lock, NI
1:3	110-8297	1	Bearing ASM	6	137-3545	1	Shaft-Spindle
1:4	253-154	2	Seal-Oil	7	106-7159	1	O-Ring
1:5	302-60	1	Fitting-Grease				

● Not serviced separately

# Deck Mount and Deck Cover Assembly



## Deck Mount and Deck Cover Assembly (continued)

<i>Ref.</i>	<i>Part Number</i>	<i>Qty.</i>	<i>Description</i>	<i>Ref.</i>	<i>Part Number</i>	<i>Qty.</i>	<i>Description</i>
1	137-3556-03	1	Deck Mount ASM	15	325-39	2	Screw-HH
2	3233-26	4	Screw-CARR, Short Neck	16	137-3549-01	1	LH Chamber ASM
3	99-5107	6	Nut-Lock	17	137-3550-01	1	Center Chamber ASM
5	137-3646	1	Flap-Rear	18	137-3551-01	1	RH Chamber ASM
6	137-3647-01	1	Plate-Flap	19	137-3665-01	1	Baffle-Inner
7	3230-10	7	Bolt-CARR	21	115-8827	2	Foam-Strip
8	104-8300	23	Nut-HF, NI	27	119-6807	2	Decal-Warning
9	74-5950	6	Latch-Swell	28	138-9027-03	2	Shim-Mount, Deck
10	137-3519-03	1	Cover-Deck, LH	29	3256-26	2	Washer-Flat
11	137-3520-03	1	Cover-Deck, RH	30	139-3156-01	1	Stiffener-Deck
12	3230-23	16	Screw-CARR	31	3231-27	7	Screw-CARR
13	3234-47	2	Screw-HHF	32	104-8301	7	Nut-HF, NI
14	117-2749	2	Nut-Push				





## Hydraulic Assembly (continued)

<i>Ref.</i>	<i>Part Number</i>	<i>Qty.</i>	<i>Description</i>	<i>Ref.</i>	<i>Part Number</i>	<i>Qty.</i>	<i>Description</i>
1	137-3570	2	Cylinder ASM	9	138-5296	2	Hose ASM
1:6	137-3608	1	Kit-Seal	9:1		1	Fitting-Straight, Rgd ■
1:10	302-5	1	Fitting-Grease	9:1:1	237-79	1	O-Ring
2	137-3598	2	Cylinder ASM	10	138-5297	2	Hose ASM
2:6	137-3609	1	Kit-Seal	11	138-3064	1	Tube ASM
2:10	302-5	1	Fitting-Grease	12	138-3065	1	Tube ASM
3	138-3094	1	Manifold	13	340-166	2	Fitting-Tee
3:1		1	Manifold Block ■	13:1	237-22	2	O-Ring
3:2	110-8881	1	Valve-Check	14	56-7973	2	Clamp-Tube
3:2:1	105-9159	1	Seal Kit ●	15	3234-34	2	Screw-HHF
4	340-2	11	Fitting-Straight	16	115-1794	1	Screw-HHF
4:1	237-22	1	O-Ring	17	104-8300	1	Nut-HF, NI
4:2	237-42	1	O-Ring	18	138-3096-01	1	Bracket-Hardline
5	340-87	1	Fitting-Elbow, 45 DEG	19	120-4654	2	Screw-HHF
5:1	237-22	1	O-Ring	20	104-7201	2	Nut-HF
5:2	237-42	1	O-Ring	21	133-7828	2	Coupler-Connect, Quick
7	105-9817	4	Hose-HYD	22	138-3066	1	Cap-Dust, Red
8	99-3576	2	Hose-HYD	23	T56152152	1	Cap-Connect, Quick

● Not illustrated

■ Not serviced separately

# Attachments and Accessories

## For 31905 Groundsmaster 1200 Series Pull Behind Rotary Mower

<b>Product Name</b>	<b>Model/Part</b>
High Lift Blades MVP Kit.....	138-9028
Standard Lift MVP Kit .....	138-9029
SMV KIT .....	138-9030
Fender Kit .....	139-3174
Blade Cover Kit.....	139-3178
Safety Chain Kit.....	139-3179
Homologation Kit .....	31950

**Notes:**



**Count on it.**