



Count on it.

Parts Catalog

**Groundsmaster® 1200 Series
Pull Behind Rotary Mower**

Model No. 31905—Serial No. 403390001 and Up



Ordering Replacement Parts

To order replacement parts, please supply the part number, the quantity, and the description of each part desired.

Understanding Reference Numbers

Each identified part in an illustration has a reference number. The reference number for a part also appears in the parts list, along with other information about the part.

This catalog uses two special reference number formats, one to indicate parts in a service assembly and another to indicate the quantity of a given part in an illustration.

Service Assembly Reference Numbers

Parts in service assemblies have reference numbers in the form a:b. The a represents the reference number of the entire service assembly and the b represents a sequential number unique to each part within the service assembly.

For example, a wheel assembly might be identified by reference number 6, the tire by 6:1, the valve by 6:2, and the wheel by 6:3. When you order the assembly identified by reference number 6, you receive all parts identified by reference numbers 6:1, 6:2, and 6:3. However, you may also order any part individually. Reference numbers of this type appear in illustration and in parts lists.

Reference Numbers Indicating Quantity

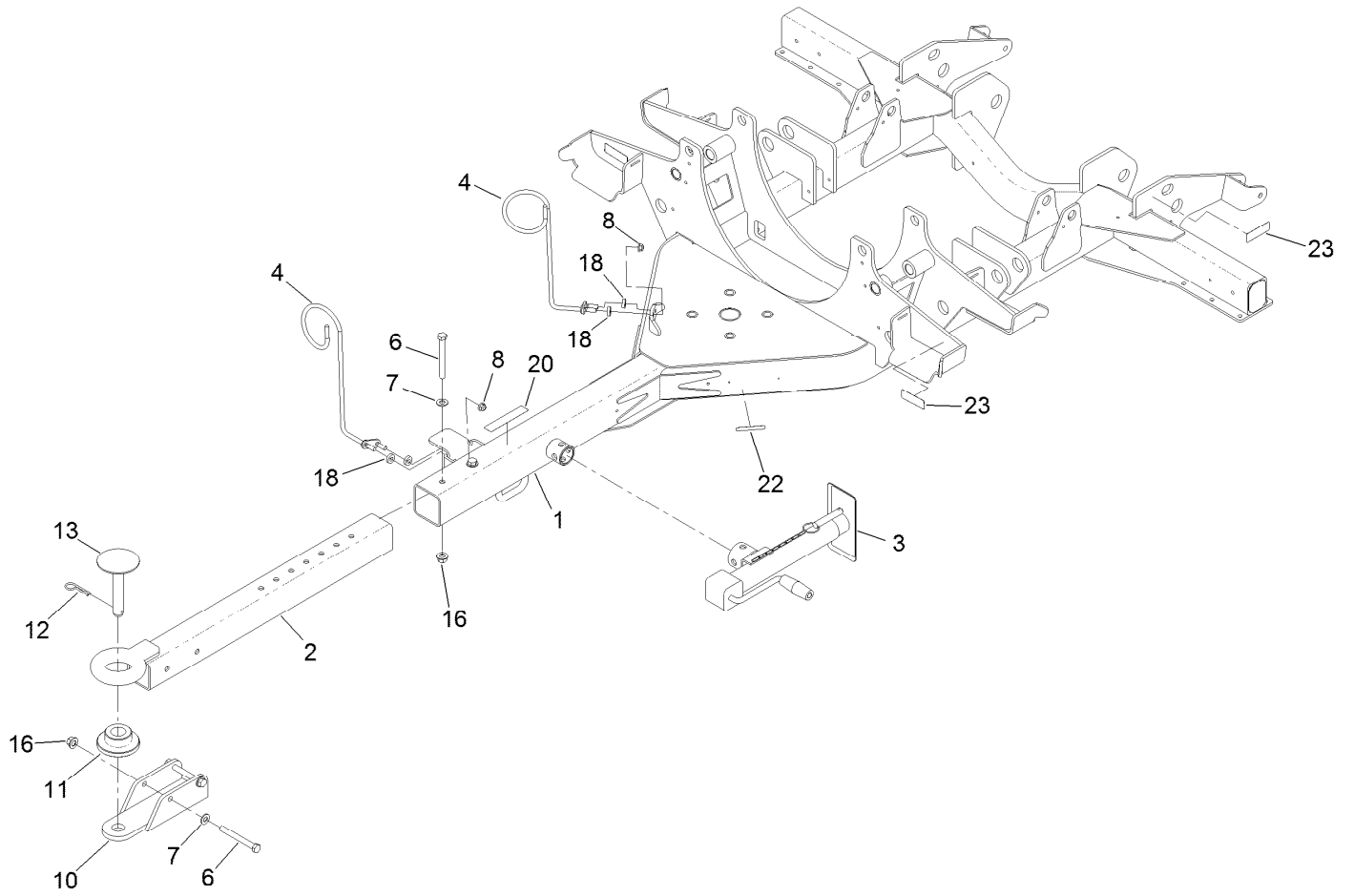
In an illustration, if a reference number indicates more than one part, the reference number has the form nX y. The n represents the quantity of the part, the X is the multiplication symbol, and the y represents the reference number.

For example, in an illustration, the reference number 2X 37 means that two of the parts identified by reference number 37 are indicated.

Contents

Frame Assembly.....	4
Lift Arm Assembly No. 2.....	6
Lift Arm Assembly No. 3.....	8
Lift Arm Assembly No. 1.....	10
Tire and Axle Assembly.....	12
LH Torsion Axle Assembly No. 137-3572.....	14
RH Torsion Axle Assembly No. 137-3573.....	16
Gearbox and Driveshaft Assembly.....	18
Main Driveshaft Assembly No. 138-9039.....	20
Rear Driveshaft Assembly No. 138-9040.....	22
Side Driveshaft Assembly No. 138-9041.....	24
Deck Assembly.....	26
Blade, Pulley and Spindle Assembly.....	28
Deck Assembly No. 138-9026.....	30
Deck Mount and Deck Cover Assembly.....	32
Double Spindle Assembly No. 137-3541.....	34
High Spindle Assembly No. 137-3542.....	36
Low Spindle Assembly No. 137-3543.....	38
Hydraulic Assembly.....	40
Attachments and Accessories.....	42

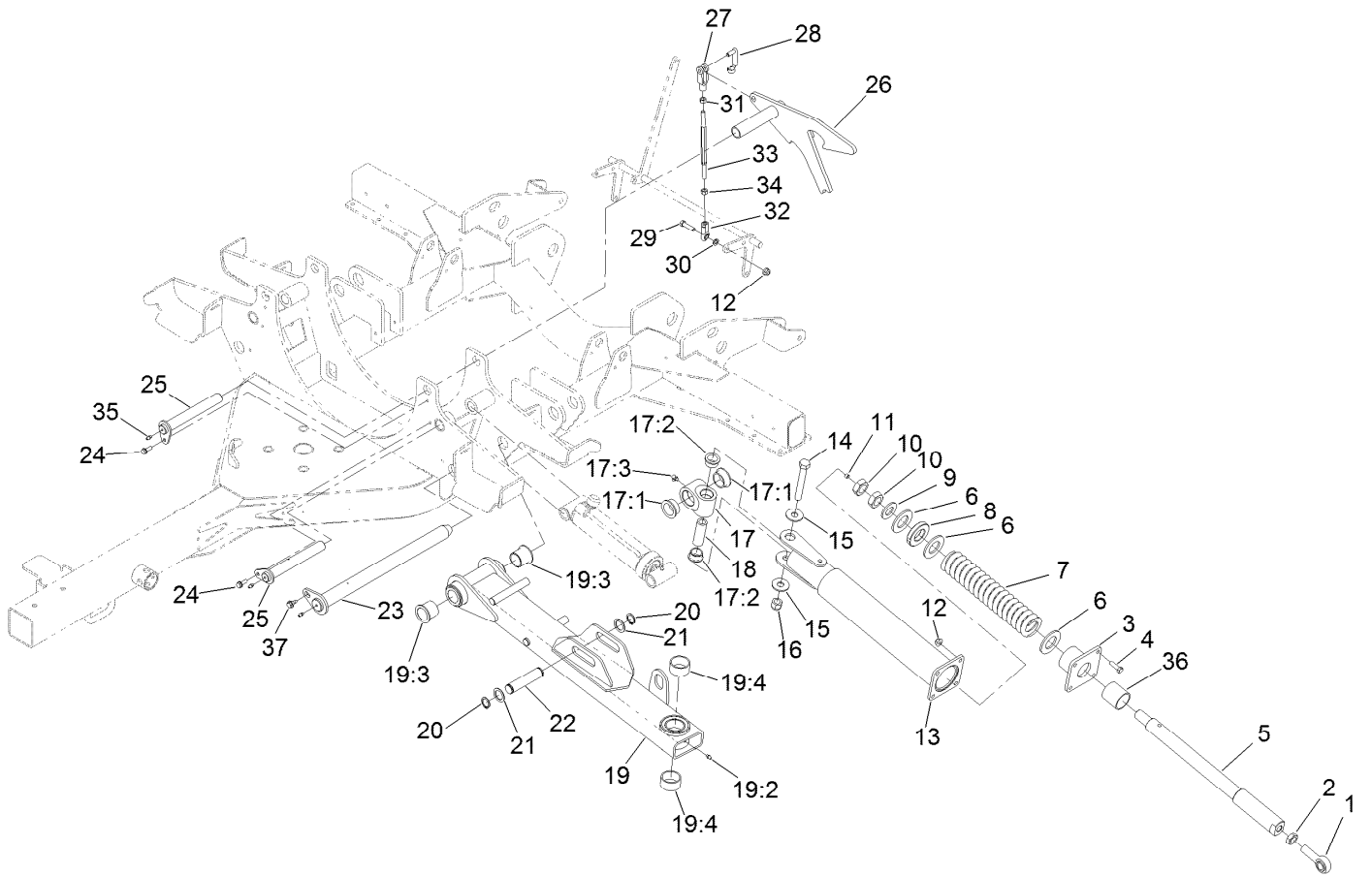
Frame Assembly



Frame Assembly (continued)

<i>Ref.</i>	<i>Part Number</i>	<i>Qty.</i>	<i>Description</i>	<i>Ref.</i>	<i>Part Number</i>	<i>Qty.</i>	<i>Description</i>
1	137-3501-01	1	Frame ASM	11	137-3591	1	Bushing-Flange
2	137-3578-01	1	Hitch ASM	12	3290-343	1	Pin-Hair
3	T0000-3423	1	Jack-Sidewind	13	137-3606	1	Hitch Pin ASM
4	119-3920	2	Guide-Hose, RH	16	99-5107	4	Nut-Lock
6	325-18	4	Screw-HH	18	5-0652	4	Spacer
7	3256-26	4	Washer-Flat	20	110-4668	1	Decal-Warning, PTO
8	104-8301	4	Nut-HF, NI	22	133-8061	1	Decal-Warning
10	137-3594-01	1	Clevis ASM	23	120-0625	4	Decal-Warning

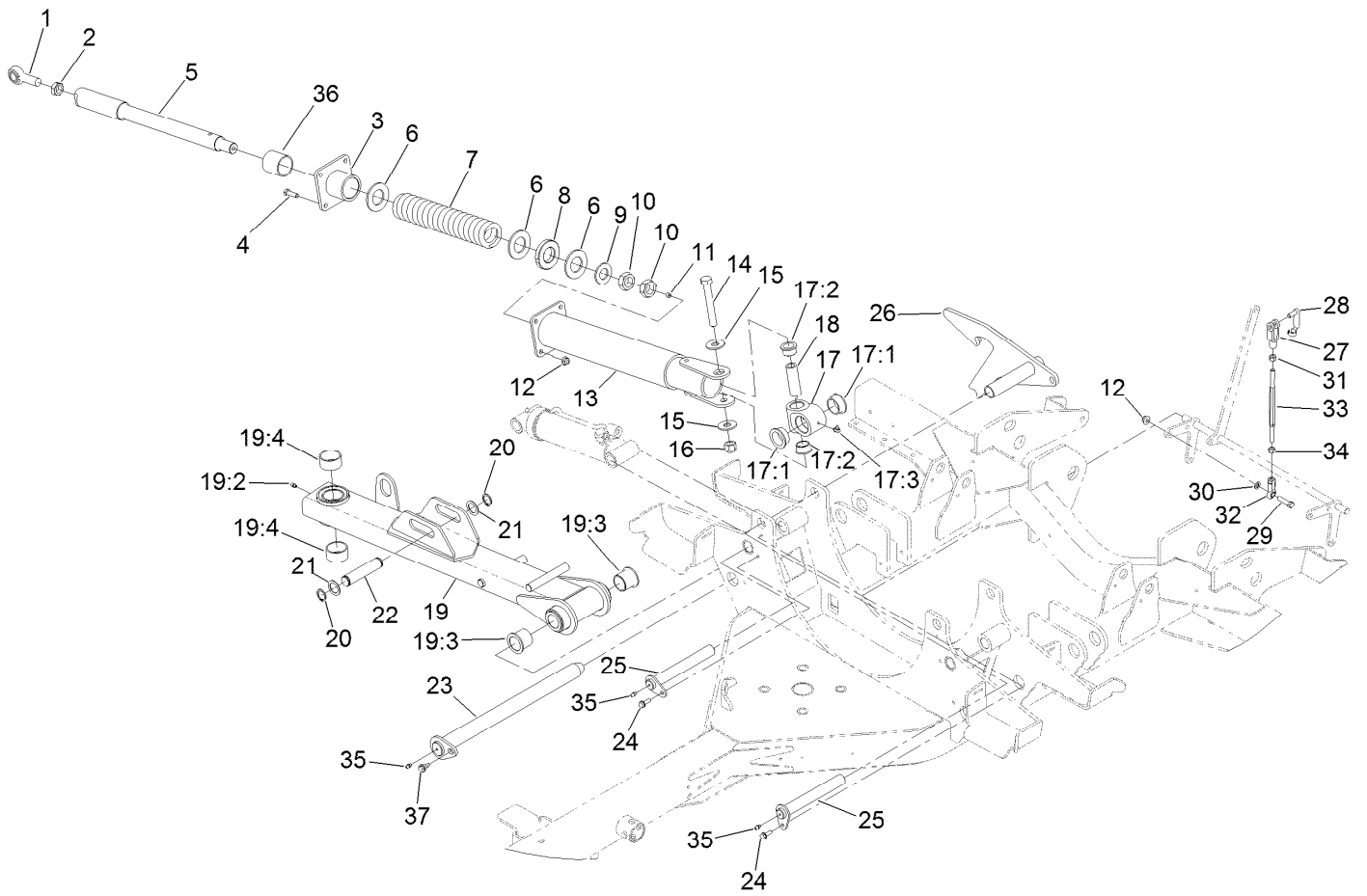
Lift Arm Assembly No. 2



Lift Arm Assembly No. 2 (continued)

<i>Ref.</i>	<i>Part Number</i>	<i>Qty.</i>	<i>Description</i>	<i>Ref.</i>	<i>Part Number</i>	<i>Qty.</i>	<i>Description</i>
1	105-2806	1	End-Rod	19:2	302-5	1	Fitting-Grease
2	3220-7	1	Nut-Jam	19:3	69-6470	2	Bushing-Caster
3	114-5677-03	1	Housing	19:4	114-5596	2	Bushing-Straight
4	323-7	4	Screw-HH	20	32151-36	2	Ring-Retaining
5	117-9404	1	Shaft-Spring	21	10-8110	2	Washer-Thrust
6	114-5986	3	Washer-Plain	22	138-5272	1	Pin-Cylinder
7	114-5993	1	Spring-Compression	23	137-3604	1	Pin-Arm, Lift
8	114-5992	1	Bearing-Plastic	24	32144-41	2	Screw-Taptite
9	3256-62	1	Washer-Flat	25	138-3050	2	Cylinder Pin ASM
10	3220-9	2	Nut-Jam	26	138-3068	1	LH Wing Latch ASM
11	285-17	1	Plug-Pipe	27	1-633131	1	Yoke-Linkage, Brake
12	104-8301	5	Nut-HF, NI	28	103-2399	1	Pin-Spring, Clevis
13	137-3599-01	1	Arm-Impact	29	323-8	1	Screw-HH
14	327-23	1	Screw-HH	30	3253-21	1	Washer-Lock
15	3256-7	2	Washer-Flat	31	3219-3	1	Nut-Hex
16	3296-53	1	Nut-Lock, NI	32	103-1167	1	Joint-Ball End, LH
17	115-5468	1	Pivot Hub ASM	33	137-3692	1	Rod-Adjuster, Wing
17:1	115-5469	2	Bushing-Flange	34	3219-20	1	Nut-Hex, LH
17:2	114-5680	2	Bushing-Flange	35	302-5	3	Fitting-Grease
17:3	302-60	1	Fitting-Grease	36	114-5989	1	Bushing-Plain
18	94-6604	1	Tube-Spacer	37	99-5105	1	Screw-Shoulder
19	137-3562	1	#2 Lift Arm ASM				

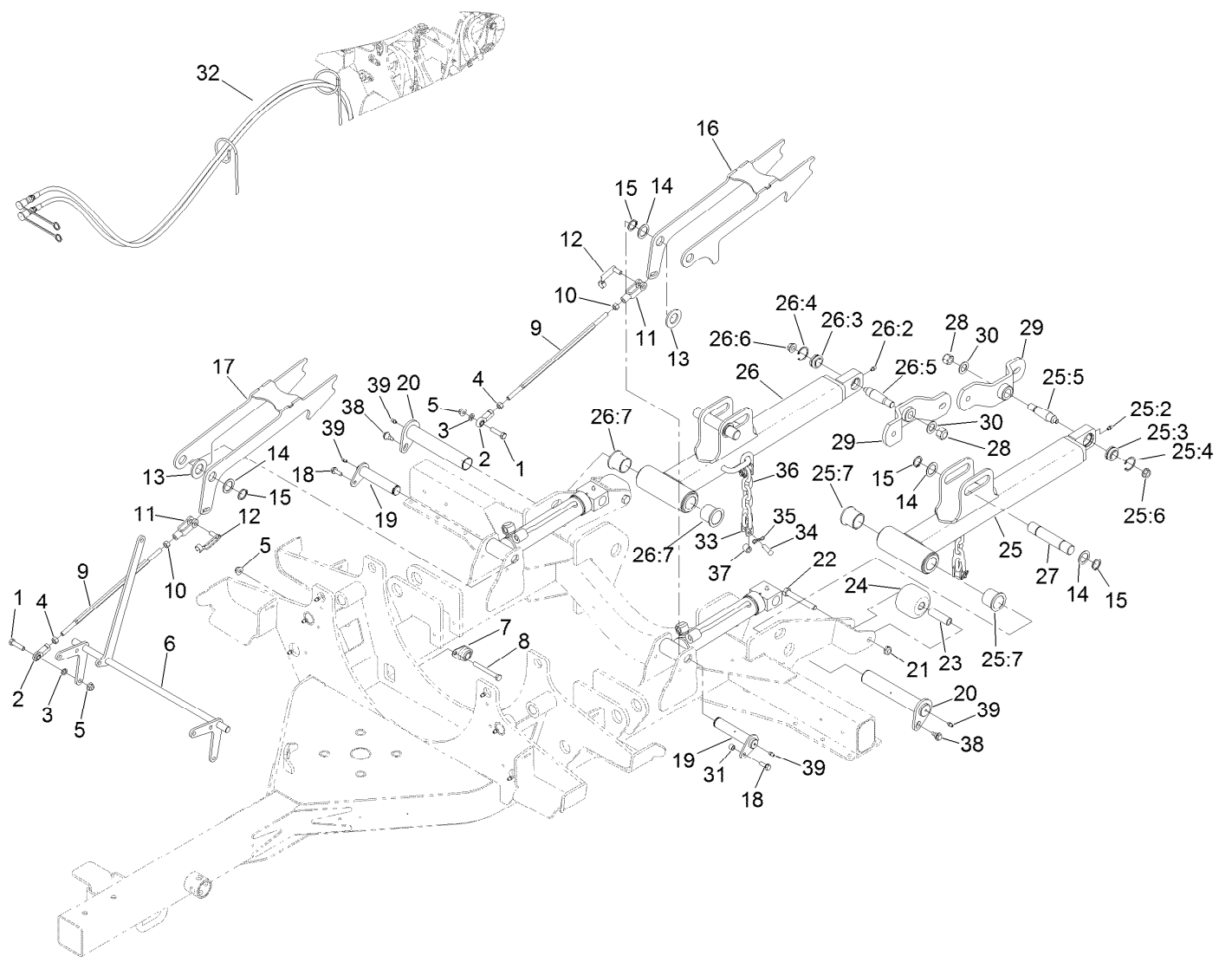
Lift Arm Assembly No. 3



Lift Arm Assembly No. 3 (continued)

<i>Ref.</i>	<i>Part Number</i>	<i>Qty.</i>	<i>Description</i>	<i>Ref.</i>	<i>Part Number</i>	<i>Qty.</i>	<i>Description</i>
1	105-2806	1	End-Rod	19:2	302-5	1	Fitting-Grease
2	3220-7	1	Nut-Jam	19:3	69-6470	2	Bushing-Caster
3	114-5677-03	1	Housing	19:4	114-5596	2	Bushing-Straight
4	323-7	4	Screw-HH	20	32151-36	2	Ring-Retaining
5	117-9404	1	Shaft-Spring	21	10-8110	2	Washer-Thrust
6	114-5986	3	Washer-Plain	22	138-5272	1	Pin-Cylinder
7	114-5993	1	Spring-Compression	23	137-3604	1	Pin-Arm, Lift
8	114-5992	1	Bearing-Plastic	24	32144-41	2	Screw-Taptite
9	3256-62	1	Washer-Flat	25	138-3050	2	Cylinder Pin ASM
10	3220-9	2	Nut-Jam	26	138-3069	1	RH Wing Latch ASM
11	285-17	1	Plug-Pipe	27	1-633131	1	Yoke-Linkage, Brake
12	104-8301	5	Nut-HF, NI	28	103-2399	1	Pin-Spring, Clevis
13	137-3599-01	1	Arm-Impact	29	323-8	1	Screw-HH
14	327-23	1	Screw-HH	30	3253-21	1	Washer-Lock
15	3256-7	2	Washer-Flat	31	3219-3	1	Nut-Hex
16	3296-53	1	Nut-Lock, NI	32	103-1167	1	Joint-Ball End, LH
17	115-5468	1	Pivot Hub ASM	33	137-3692	1	Rod-Adjuster, Wing
17:1	115-5469	2	Bushing-Flange	34	3219-20	1	Nut-Hex, LH
17:2	114-5680	2	Bushing-Flange	35	302-5	3	Fitting-Grease
17:3	302-60	1	Fitting-Grease	36	114-5989	1	Bushing-Plain
18	94-6604	1	Tube-Spacer	37	99-5105	1	Screw-Shoulder
19	137-3563	1	#3 Lift Arm ASM				

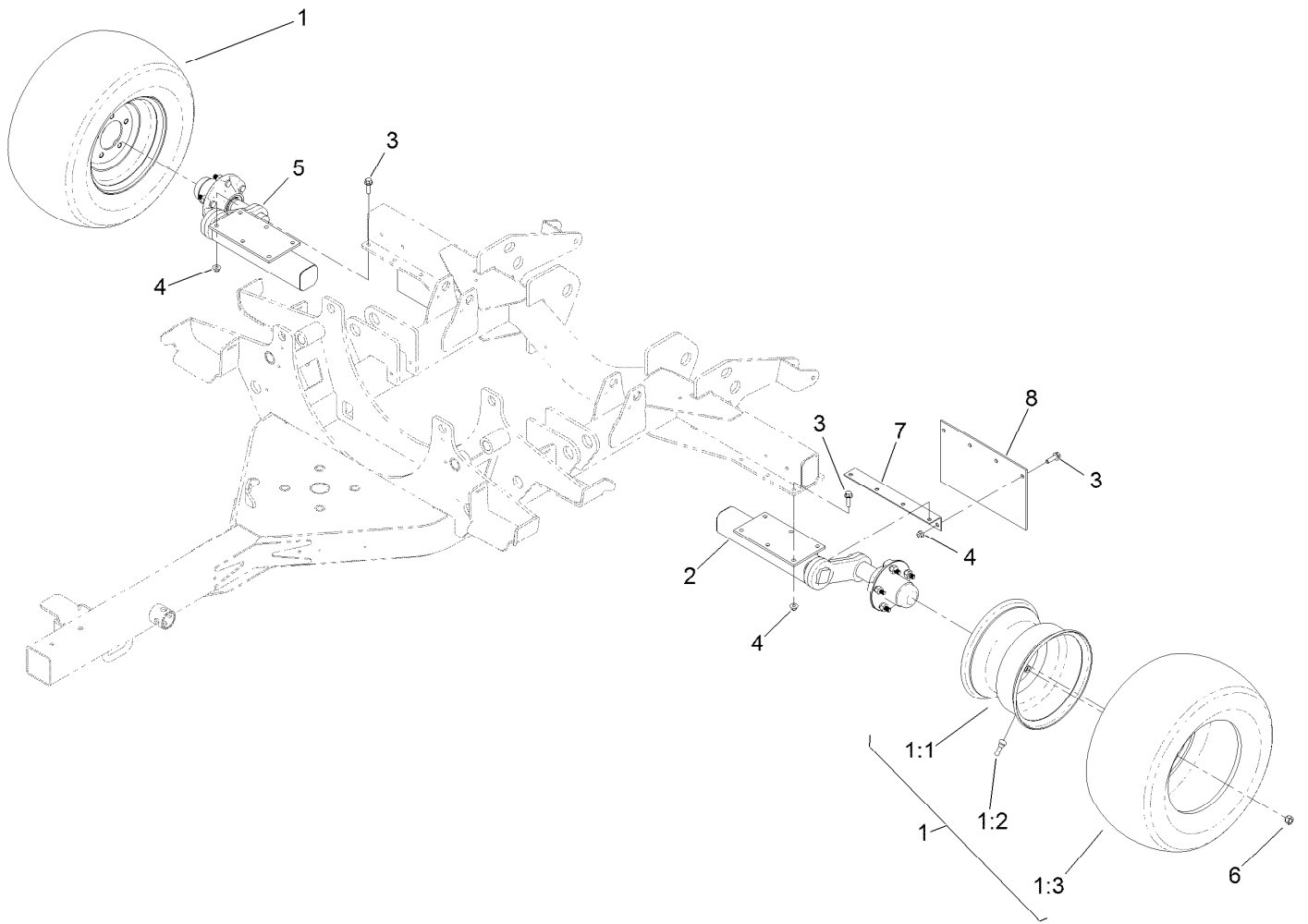
Lift Arm Assembly No. 1



Lift Arm Assembly No. 1 (continued)

<i>Ref.</i>	<i>Part Number</i>	<i>Qty.</i>	<i>Description</i>	<i>Ref.</i>	<i>Part Number</i>	<i>Qty.</i>	<i>Description</i>
1	323-8	2	Screw-HH	25:3	105-7441	1	Bearing-Spherical
2	103-1167	2	Joint-Ball End, LH	25:4	32151-34	1	Ring-Retaining
3	3253-21	2	Washer-Lock	25:5	105-7468	1	Stud-Tapered
4	3219-20	2	Nut-Hex, LH	25:6	32128-42	1	Nut-HF
5	104-8301	6	Nut-HF, NI	25:7	69-6470	2	Bushing-Caster
6	137-3688-03	1	Latch Shaft ASM	26	137-3584	1	#1 Lift Arm RH ASM
7	256-236	2	Bearing-Mount, Flange	26:2	302-5	1	Fitting-Grease
8	323-20	4	Screw-HH	26:3	105-7441	1	Bearing-Spherical
9	137-3691	2	Rod-Adjuster, Rear	26:4	32151-34	1	Ring-Retaining
10	3219-3	2	Nut-Hex	26:5	105-7468	1	Stud-Tapered
11	1-633131	2	Yoke-Linkage, Brake	26:6	32128-42	1	Nut-HF
12	103-2399	2	Pin-Spring, Clevis	26:7	69-6470	2	Bushing-Caster
13	3256-62	2	Washer-Flat	27	137-3617	2	Pin-Cylinder
14	10-8110	6	Washer-Thrust	28	3296-41	2	Nut-Lock NI
15	32151-36	6	Ring-Retaining	29	137-3581-01	2	Hub Support ASM
16	138-3076	1	Latch-Rear-LH	30	86-1440	2	Washer-Flat
17	138-3077	1	Latch-Rear-RH	31	105-5723	2	Spacer-Tube
18	32144-41	2	Screw-Taptite	32	20-9580	1	Rope-Latch
19	138-3051	2	Rear Cylinder Pin ASM	33	5-2942	4	Shackle
20	138-3071	2	Lift Arm Pin ASM	34	283-42	4	Pin-Clevis
21	3296-45	2	Nut-Hex	35	119-1415	4	Pin-Cotter, Locking
22	325-15	2	Screw-HH	36	138-5274	2	Chain-6 Link
23	115-2144	2	Tube-Spacer	37	75-5270	2	Spacer-Knob, Seat
24	115-3366	2	Roller	38	99-5105	2	Screw-Shoulder
25	137-3561	1	#1 Lift Arm LH ASM	39	302-5	4	Fitting-Grease
25:2	302-5	1	Fitting-Grease				

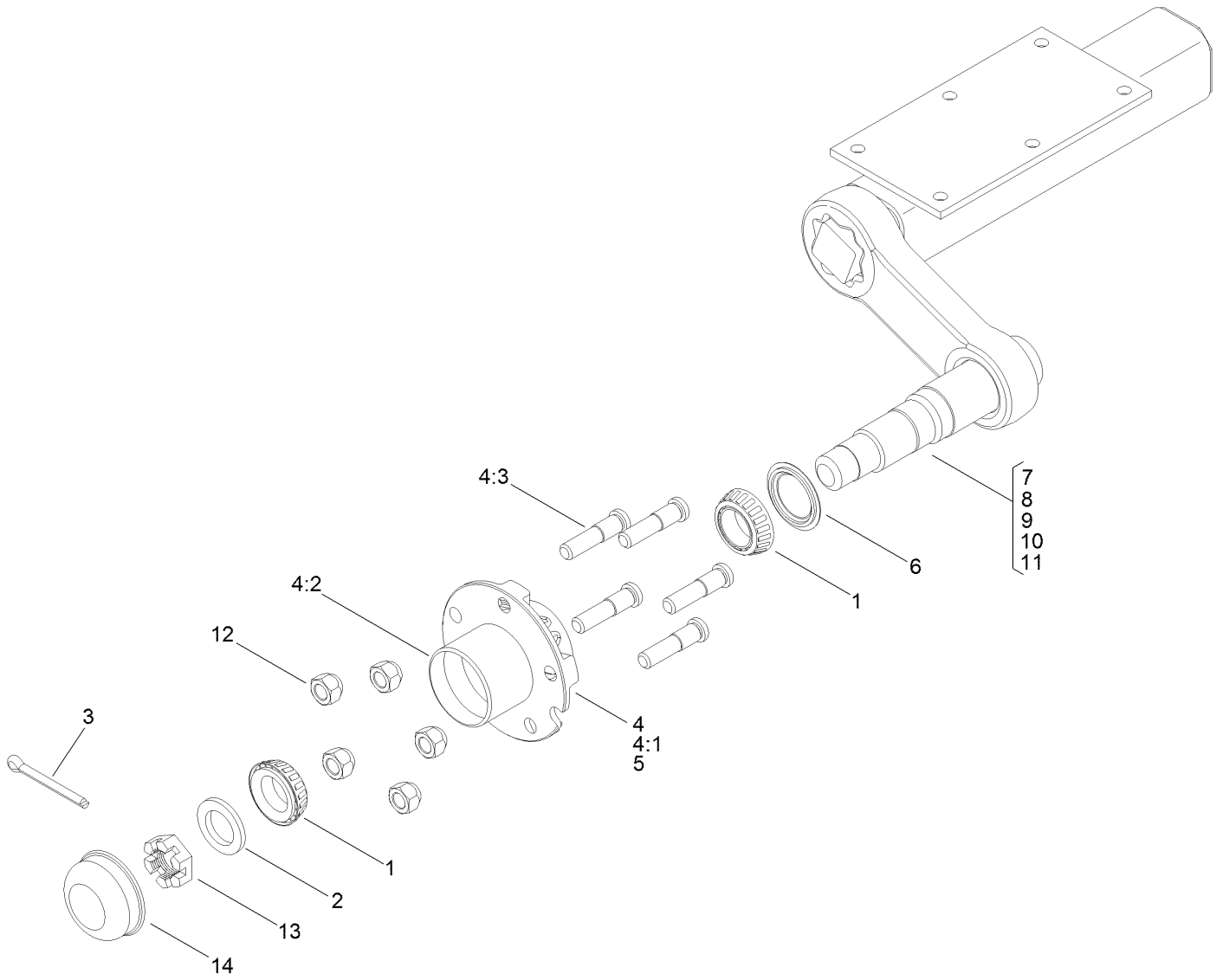
Tire and Axle Assembly



Tire and Axle Assembly (continued)

<i>Ref.</i>	<i>Part Number</i>	<i>Qty.</i>	<i>Description</i>	<i>Ref.</i>	<i>Part Number</i>	<i>Qty.</i>	<i>Description</i>
1	137-3571	2	Tire ASM	4	104-8301	20	Nut-HF, NI
1:1	115-1573	1	Rim	5	137-3573	1	RH Torsion Axle ASM
1:2	232-27	1	Stem-Valve	6	242-35	10	Nut-Wheel
1:3	120-8910	1	Tire-Off Road	7	138-9006-03	2	Bracket-Flap
2	137-3572	1	LH Torsion Axle ASM	8	138-9007	2	Flap-Rubber
3	3234-24	20	Screw-HHF				

LH Torsion Axle Assembly No. 137-3572

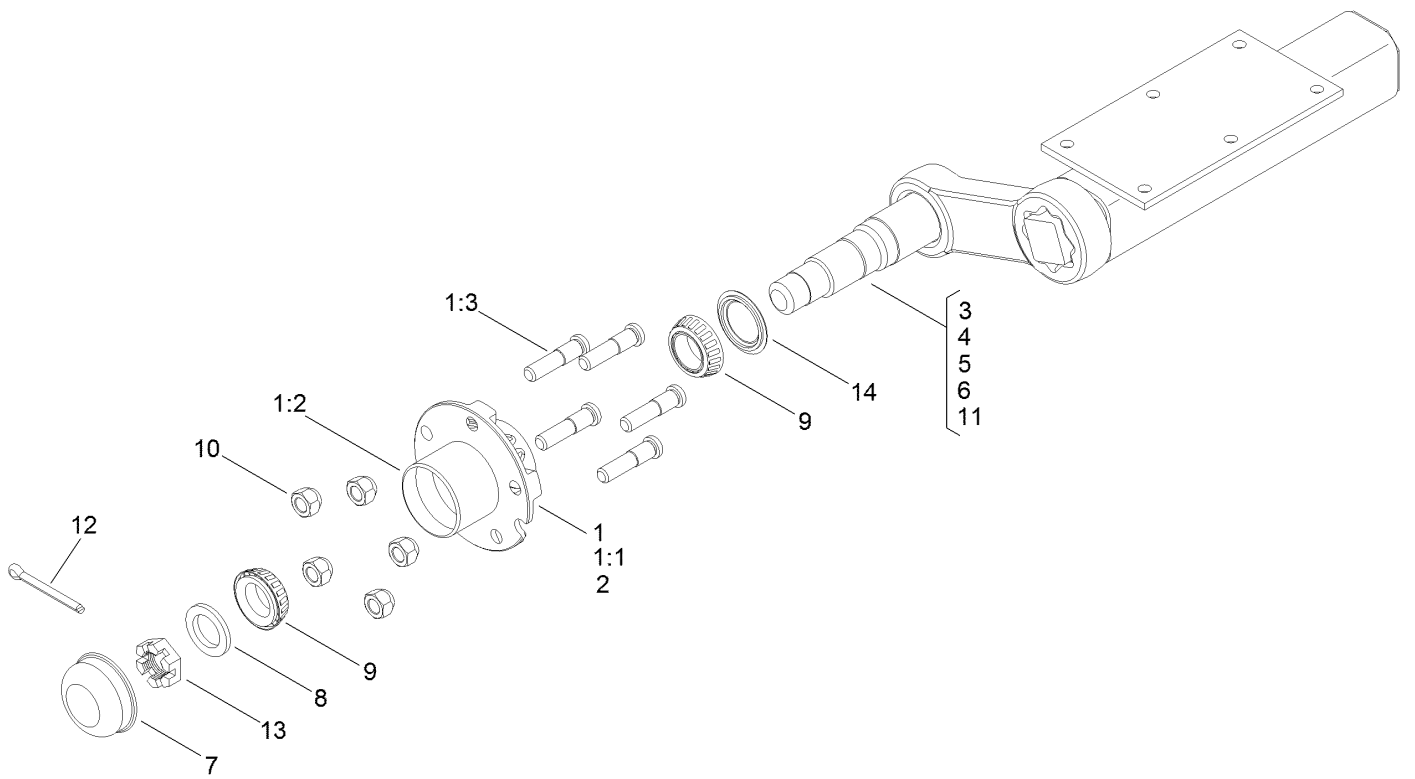


LH Torsion Axle Assembly No. 137-3572 (continued)

<i>Ref.</i>	<i>Part Number</i>	<i>Qty.</i>	<i>Description</i>	<i>Ref.</i>	<i>Part Number</i>	<i>Qty.</i>	<i>Description</i>
1	254-62	2	Bearing-Roller, Cone	7		1	Tube And Bracket ASM ●
2	137-3596	1	Washer-Spindle	8		4	Cord-Rubber ●
3	3272-18	1	Pin-Cotter	9		1	Sticker-Rubber, Torsion ●
4	119-6001	1	Hub ASM	10		1	Sticker-Axle, Serial Tag ●
4:1		1	Hub ●	11		1	Idler ●
4:2	115-9471	2	Bearing-Cup	12	242-35	5	Nut-Wheel
4:3	69-2990	5	Stud-Wheel	13	119-6005	1	Nut-Slotted, Hex
5		1	Grease ●	14	119-6004	1	Cap-Dust
6	137-3595	1	Seal				

● Not serviced separately

RH Torsion Axle Assembly No. 137-3573

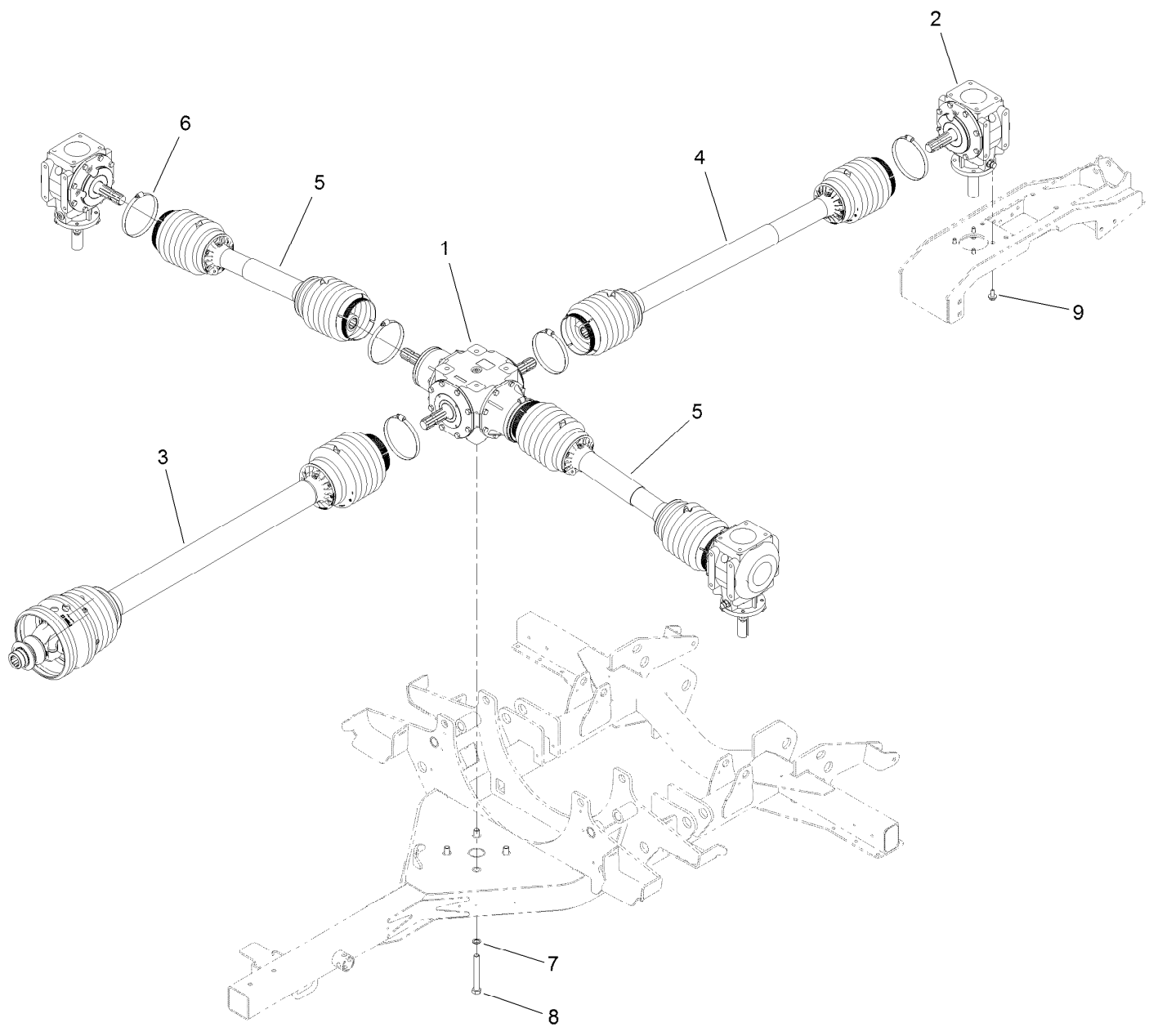


RH Torsion Axle Assembly No. 137-3573 (continued)

<i>Ref.</i>	<i>Part Number</i>	<i>Qty.</i>	<i>Description</i>	<i>Ref.</i>	<i>Part Number</i>	<i>Qty.</i>	<i>Description</i>
1	119-6001	1	Hub ASM	7	119-6004	1	Cap-Dust
1:1		1	Hub ●	8	137-3596	1	Washer-Spindle
1:2	115-9471	2	Bearing-Cup	9	254-62	2	Bearing-Roller, Cone
1:3	69-2990	5	Stud-Wheel	10	242-35	5	Nut-Wheel
2		1	Grease ●	11		1	Idler ●
3		1	Sticker-Axle, Serial Tag ●	12	3272-18	1	Pin-Cotter
4		1	Tube And Bracket ASM ●	13	119-6005	1	Nut-Slotted, Hex
5		4	Cord-Rubber ●	14	137-3595	1	Seal
6		1	Sticker-Rubber, Torsion ●				

● Not serviced separately

Gearbox and Driveshaft Assembly

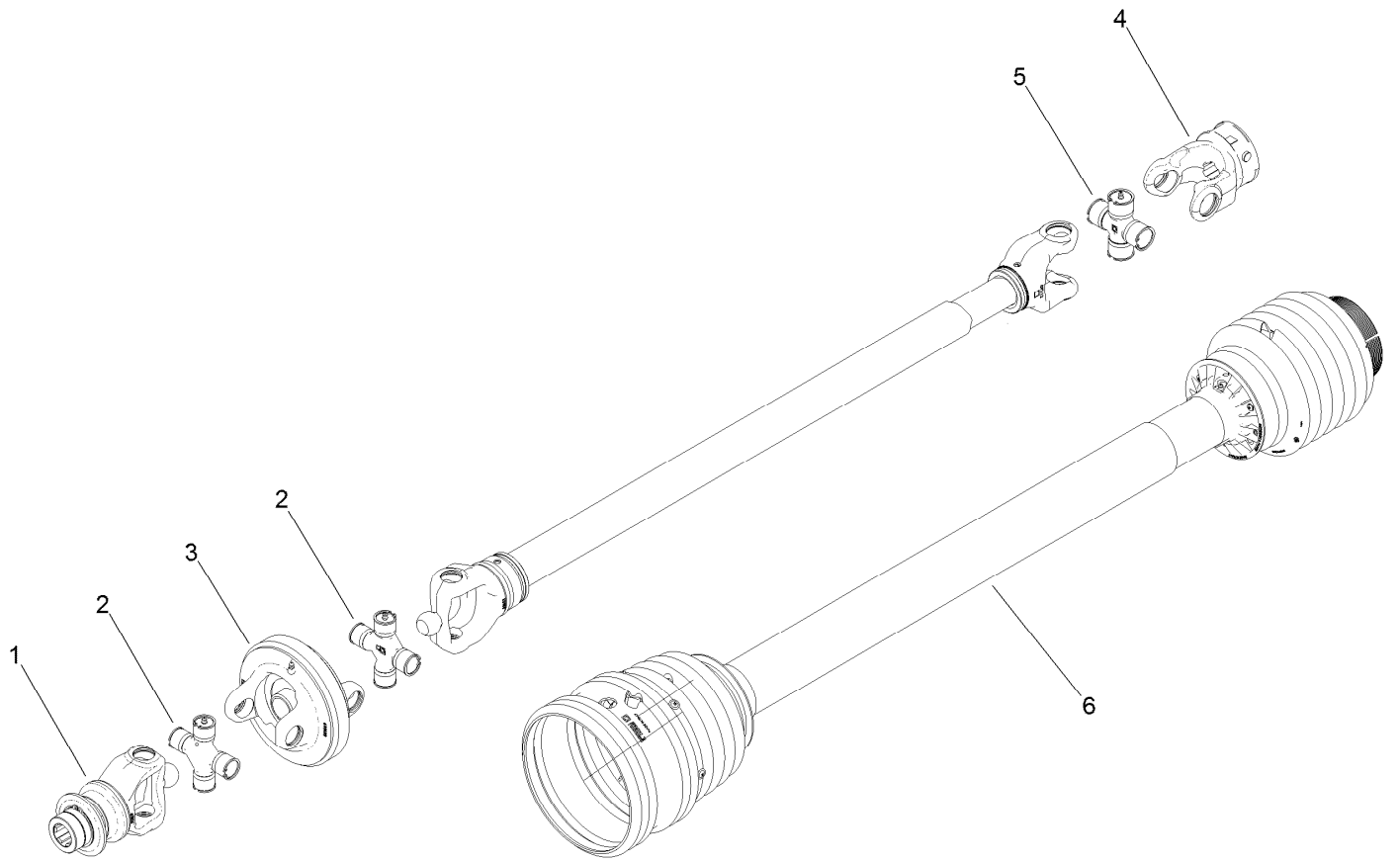


Gearbox and Driveshaft Assembly (continued)

<i>Ref.</i>	<i>Part Number</i>	<i>Qty.</i>	<i>Description</i>	<i>Ref.</i>	<i>Part Number</i>	<i>Qty.</i>	<i>Description</i>
1	139-3154	1	Gearbox-Center	7	3256-69	4	Washer-Flat
2	139-3153	3	Gearbox-Deck	8	327-11	4	Screw-HH
3	138-9039	1	Driveshaft-Main	9	33106-025	12	Screw-HHF
4	138-9040	1	Driveshaft-Rear	99	138-9038	4	Decal-Danger, Entanglement ●
5	138-9041	1	Driveshaft-Side				
6	138-9005	7	Clamp-Hose				

● Not illustrated

Main Driveshaft Assembly No. 138-9039



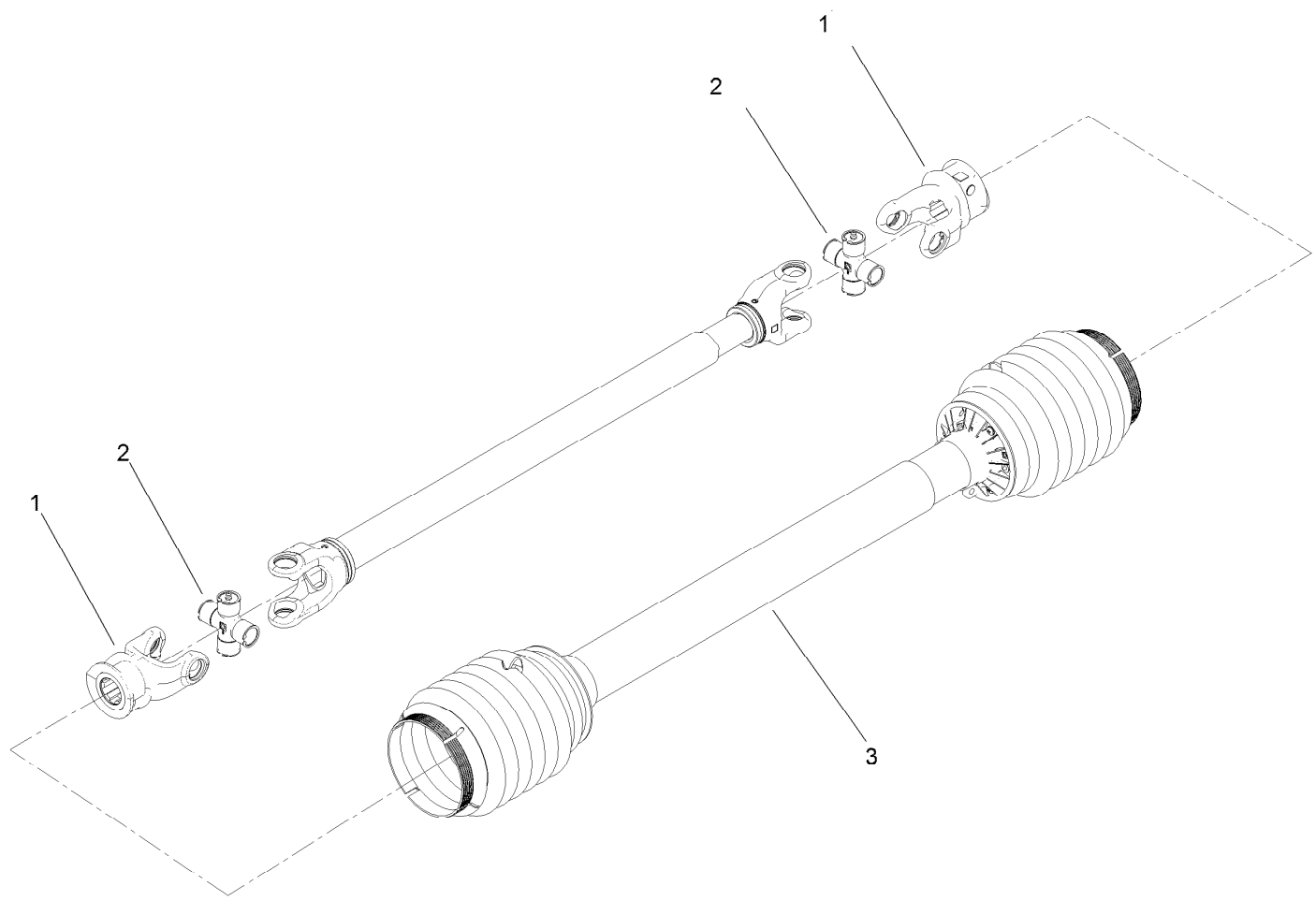
Main Driveshaft Assembly No. 138-9039 (continued)

<i>Ref.</i>	<i>Part Number</i>	<i>Qty.</i>	<i>Description</i>
1	138-9045	1	Yoke-Cv
2	138-9043	2	Cv Cross Kit
3	138-9046	1	Body-Cv
4	138-9047	1	Yoke

<i>Ref.</i>	<i>Part Number</i>	<i>Qty.</i>	<i>Description</i>
5	138-9044	1	Cross Kit
6	138-9042	1	Shield-Shaft, Main
99	138-9048	2	Chain-Shield ●

● Not illustrated

Rear Driveshaft Assembly No. 138-9040

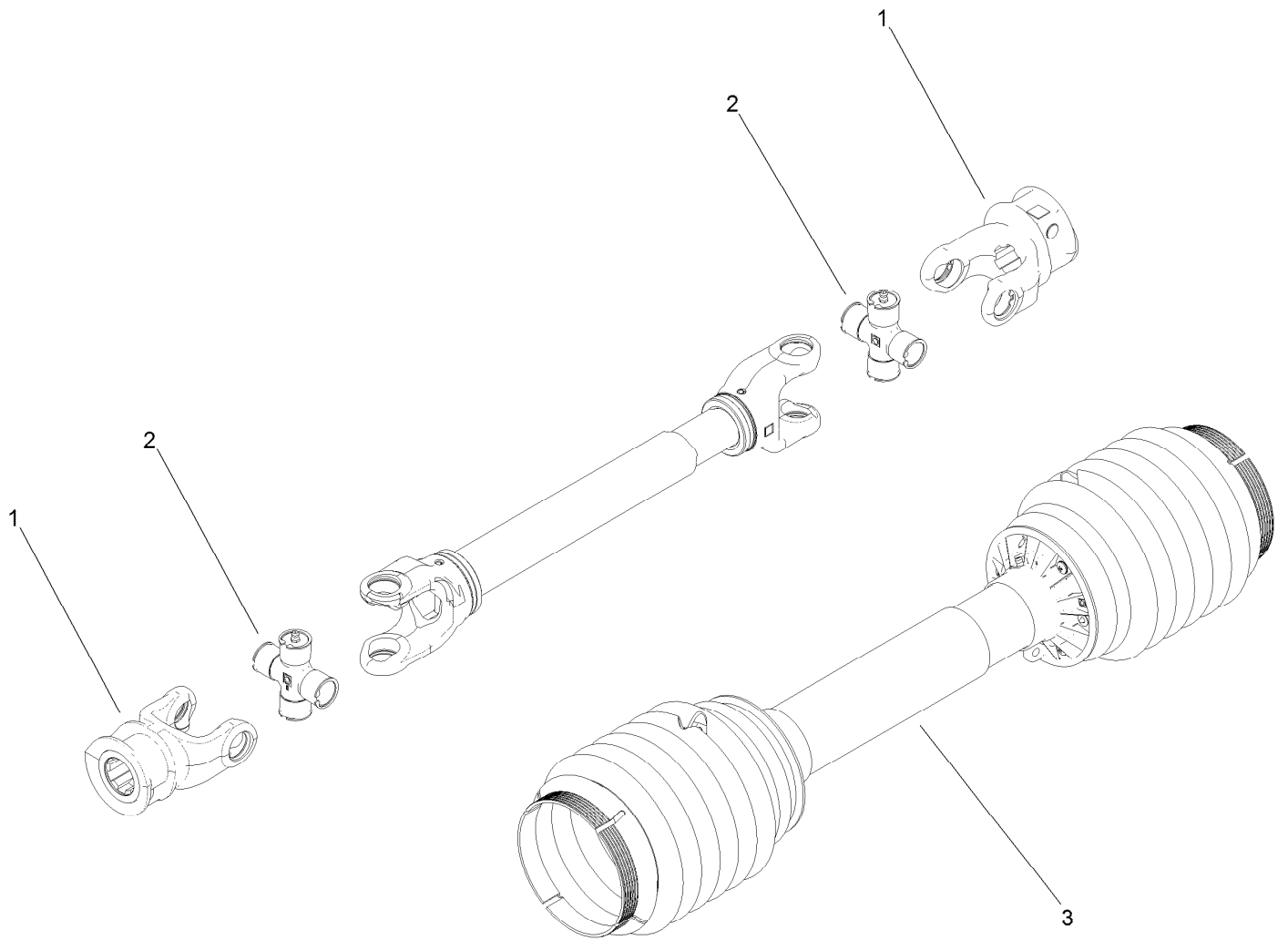


Rear Driveshaft Assembly No. 138-9040 (continued)

<i>Ref.</i>	<i>Part Number</i>	<i>Qty.</i>	<i>Description</i>	<i>Ref.</i>	<i>Part Number</i>	<i>Qty.</i>	<i>Description</i>
1	139-3150	2	Yoke	3	139-3151	1	Shield-Shaft, Rear
2	138-9049	2	Cross Kit	99	138-9048	2	Chain-Shield ●

● Not illustrated

Side Driveshaft Assembly No. 138-9041

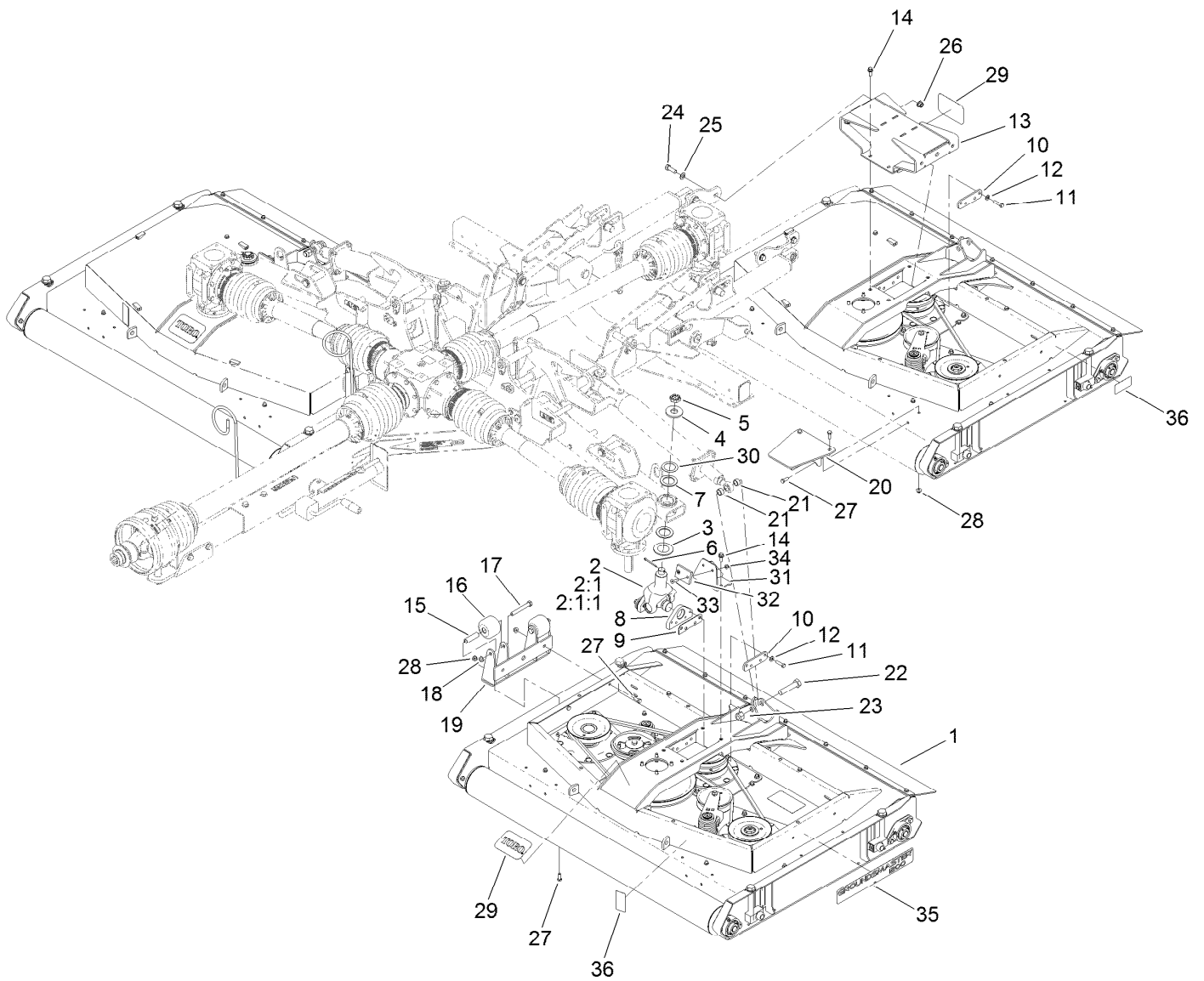


Side Driveshaft Assembly No. 138-9041 (continued)

<i>Ref.</i>	<i>Part Number</i>	<i>Qty.</i>	<i>Description</i>	<i>Ref.</i>	<i>Part Number</i>	<i>Qty.</i>	<i>Description</i>
1	139-3150	2	Yoke	3	139-3152	1	Shield-Shaft, Side
2	138-9049	2	Cross Kit	99	138-9048	2	Chain-Shield ●

● Not illustrated

Deck Assembly

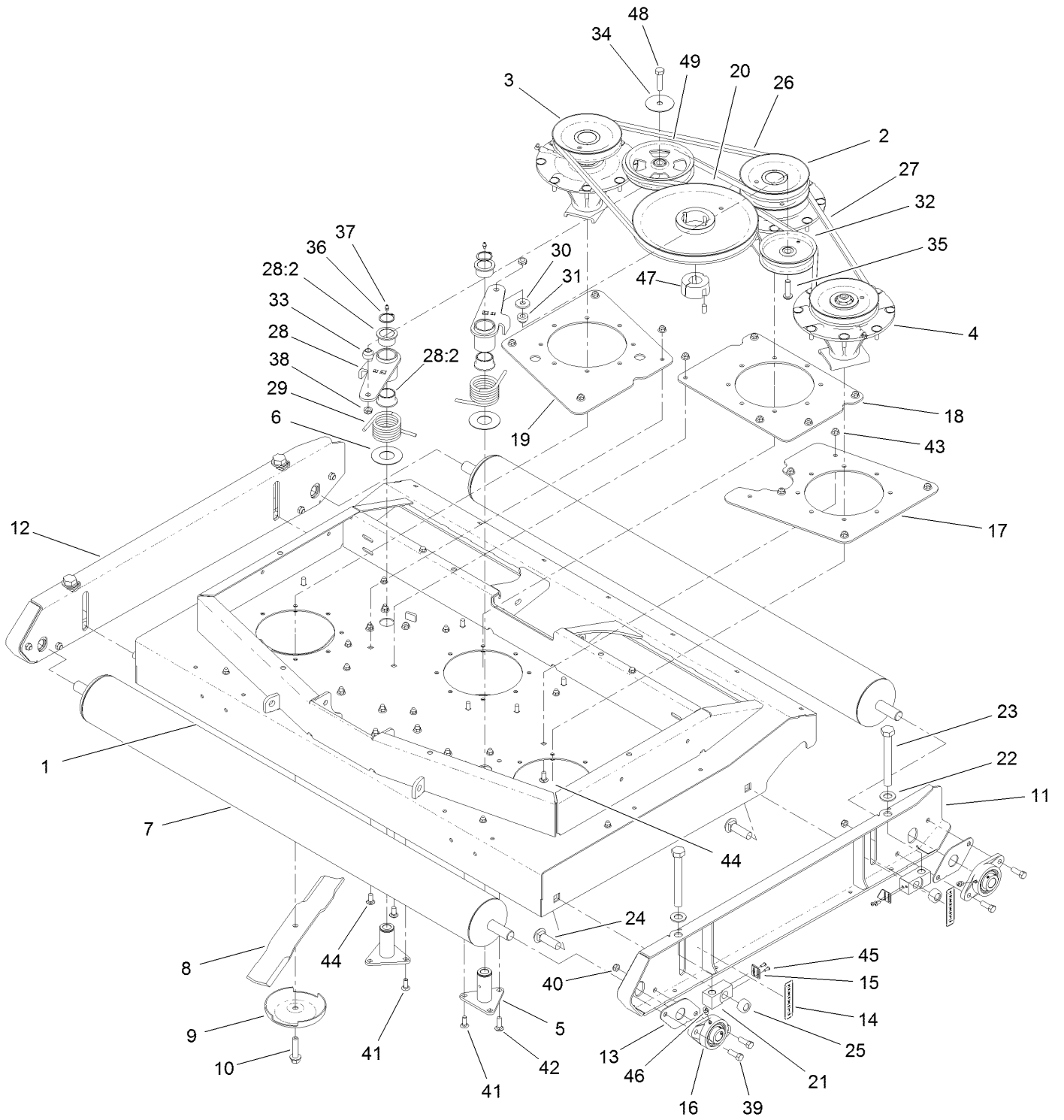


Deck Assembly (continued)

<i>Ref.</i>	<i>Part Number</i>	<i>Qty.</i>	<i>Description</i>	<i>Ref.</i>	<i>Part Number</i>	<i>Qty.</i>	<i>Description</i>
1		3	Deck ASM ●	18	3296-45	4	Nut-Hex
2	114-5640-03	2	Joint Yoke ASM	19	137-3680-01	2	Roller-Kicker
2:1		1	Yoke-Joint ●	20	137-3696-01	2	Plate-Kicker
2:1:1	104-4299	1	Cross And Bearing Kit	21	74-3730	4	Spacer-Spindle, Rear
3	104-0720	2	Spacer	22	328-5	2	Screw-HH
4	104-0719	2	Washer-Hardened	23	3296-51	2	Nut-Lock, NI
5	99-3139	2	Nut-Slotted	24	325-6	4	Screw-HH
6	3272-25	2	Pin-Cotter	25	3256-26	4	Washer-Flat
7	104-0721	4	Washer-Thrust	26	99-5107	4	Nut-Lock
8	137-3699-03	4	Mount-Base	27	323-6	16	Screw-HH
9	104-0731	4	Shim	28	104-8301	16	Nut-HF, NI
10	139-3161	6	Plate-Spacer	29	127-1653	3	Decal
11	323-43	20	Screw-HH	30	114-5641	2	Washer-Thrust
12	100-4852	20	Washer-Hardened	31	138-9000-03	2	Stop-Deck
13	137-3675-03	1	Mount-Deck	32	69-9290	2	Pad-Bumper
14	3234-42	8	Screw-HHF	33	32108-103	4	Screw-FH
15	115-2144	4	Tube-Spacer	34	104-8300	4	Nut-HF, NI
16	115-3366	4	Roller	35	138-3085	2	Decal
17	325-15	4	Screw-HH	36	125-6110	4	Decal-Danger

● Not serviced separately

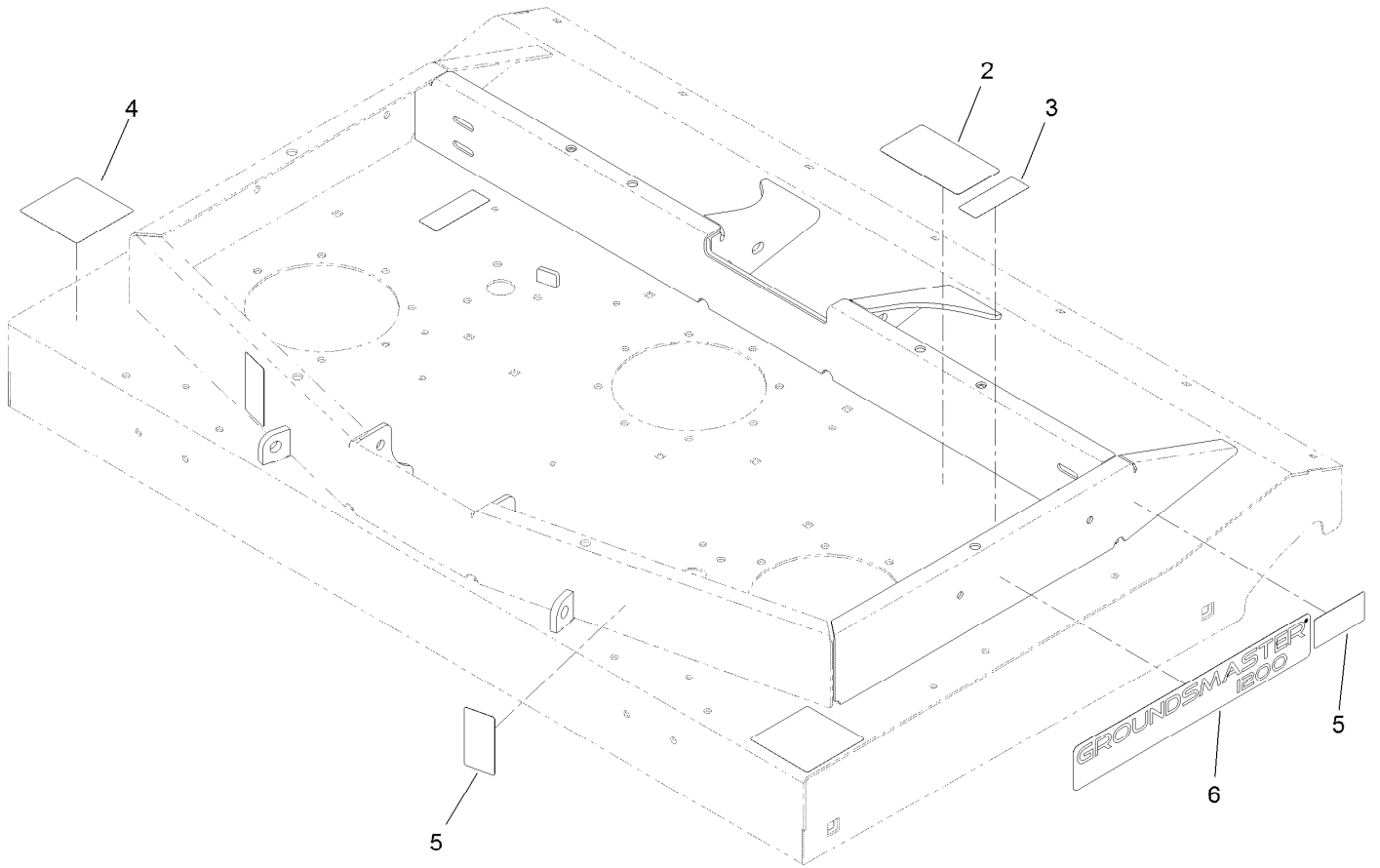
Blade, Pulley and Spindle Assembly



Blade, Pulley and Spindle Assembly (continued)

<i>Ref.</i>	<i>Part Number</i>	<i>Qty.</i>	<i>Description</i>	<i>Ref.</i>	<i>Part Number</i>	<i>Qty.</i>	<i>Description</i>
1	138-9026	1	Deck Shell ASM	26	137-3644	1	Belt-V
2	137-3541	1	Double Spindle ASM	27	137-3645	1	Belt-V
3	137-3542	1	High Spindle ASM	28	137-3649	2	Idler Arm ASM
4	137-3543	1	Low Spindle ASM	28:2	93-4510	2	Bushing-Caster
5	114-0997	2	Pivot-Idler	29	112-7395	2	Spring-Torsion
6	108-1926	2	Washer	30	92-2651	1	Washer
7	137-3676-03	2	Roller ASM	31	121-5274	1	Spacer-Idler
8	137-3659-03	3	Blade-Lift, Medium	32	1-613098	1	Pulley-Idler
9	72-9361	3	Cup-Scalp, Anti	33	69-6970	1	Spacer-Idler, Flat
10	104-2444	3	Bolt-Blade, LH Thread	34	100-3102	1	Washer-Flat
11	138-3083-01	1	Skid-LH	35	108-1993	1	Screw-HSBH
12	138-3084-01	1	Skid-RH	36	32120-84	2	Ring-Snap, External
13	138-5271	4	Shim-Bearing	37	302-5	2	Fitting-Grease
14	138-3087	4	Decal-HOC	38	3296-45	2	Nut-Hex
15	138-3098	4	Indicator-HOC	39	324-5	8	Screw-HH
16	138-5270	4	Bearing-Flange, 2 Bolt	40	126-9780	8	Nut-Lock
17	137-3635-01	1	Plate-Doubler, LH	41	3231-22	4	Screw-CARR
18	137-3636-01	1	Plate-Doubler, Center	42	3231-25	2	Bolt-CARR
19	137-3637-01	1	Plate-Doubler, RH	43	104-8301	43	Nut-HF, NI
20	138-5283	1	Pulley-Drive	44	3231-27	13	Screw-CARR
21	138-3086	4	Block-HOC	45	115-9830	8	Screw-HSBH
22	3256-28	4	Washer-Flat	46	302-33	4	Fitting-Grease
23	137-3648	4	Screw-HHCS	47	137-3660	1	Bushing-Taperlock
24	HDW17555	4	Bolt-Carriage	48	325-8	1	Screw-HH
25	138-3092	4	Nut-Hex	49	132-9421	1	Pulley-Idler, Flat

Deck Assembly No. 138-9026

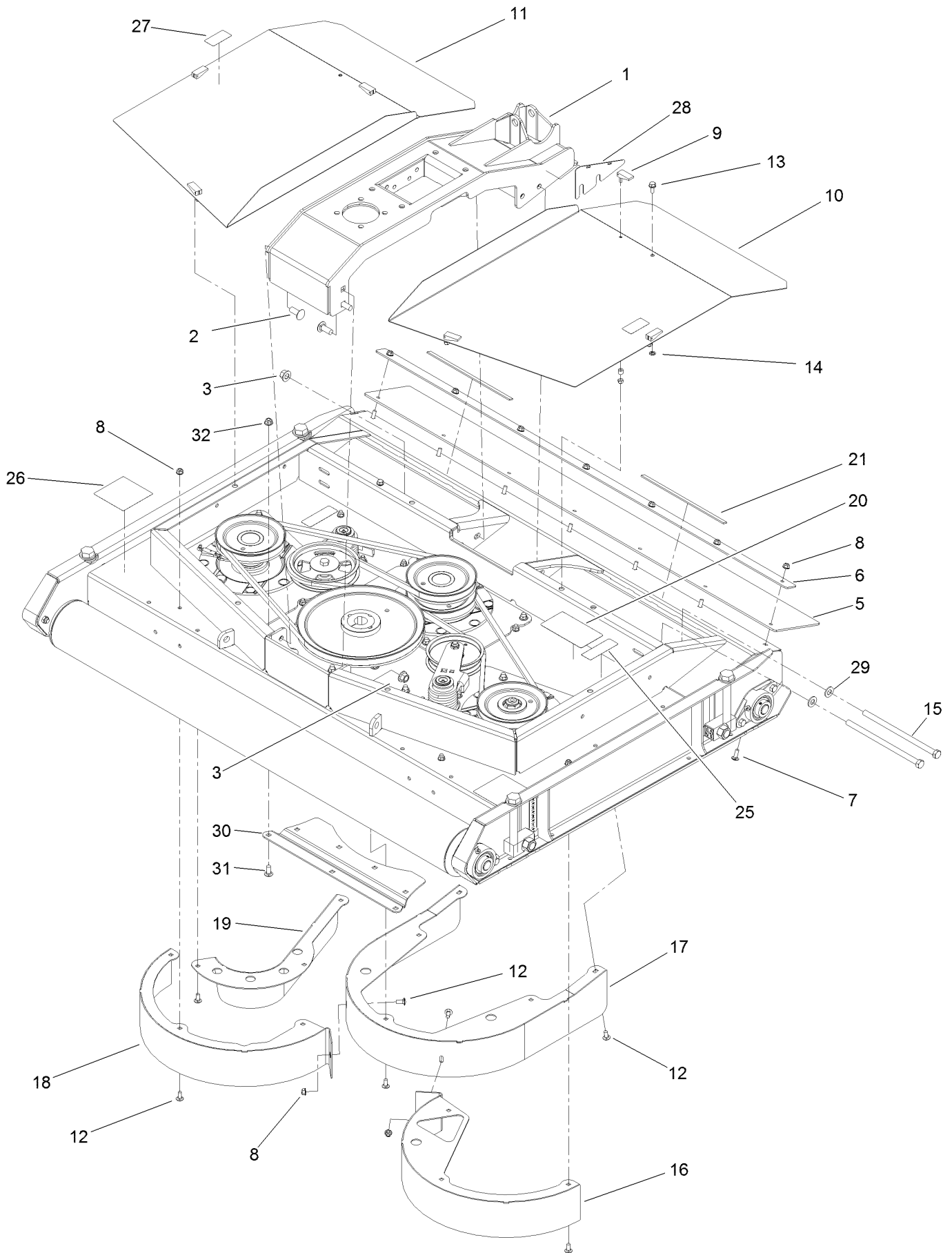


Deck Assembly No. 138-9026 (continued)

<i>Ref.</i>	<i>Part Number</i>	<i>Qty.</i>	<i>Description</i>
2	138-3078	1	Decal-Routing, Belt
3	117-4979	2	Decal-Warning
4	120-6604	2	Decal-Danger

<i>Ref.</i>	<i>Part Number</i>	<i>Qty.</i>	<i>Description</i>
5	125-6110	4	Decal-Danger
6	138-3085	2	Decal

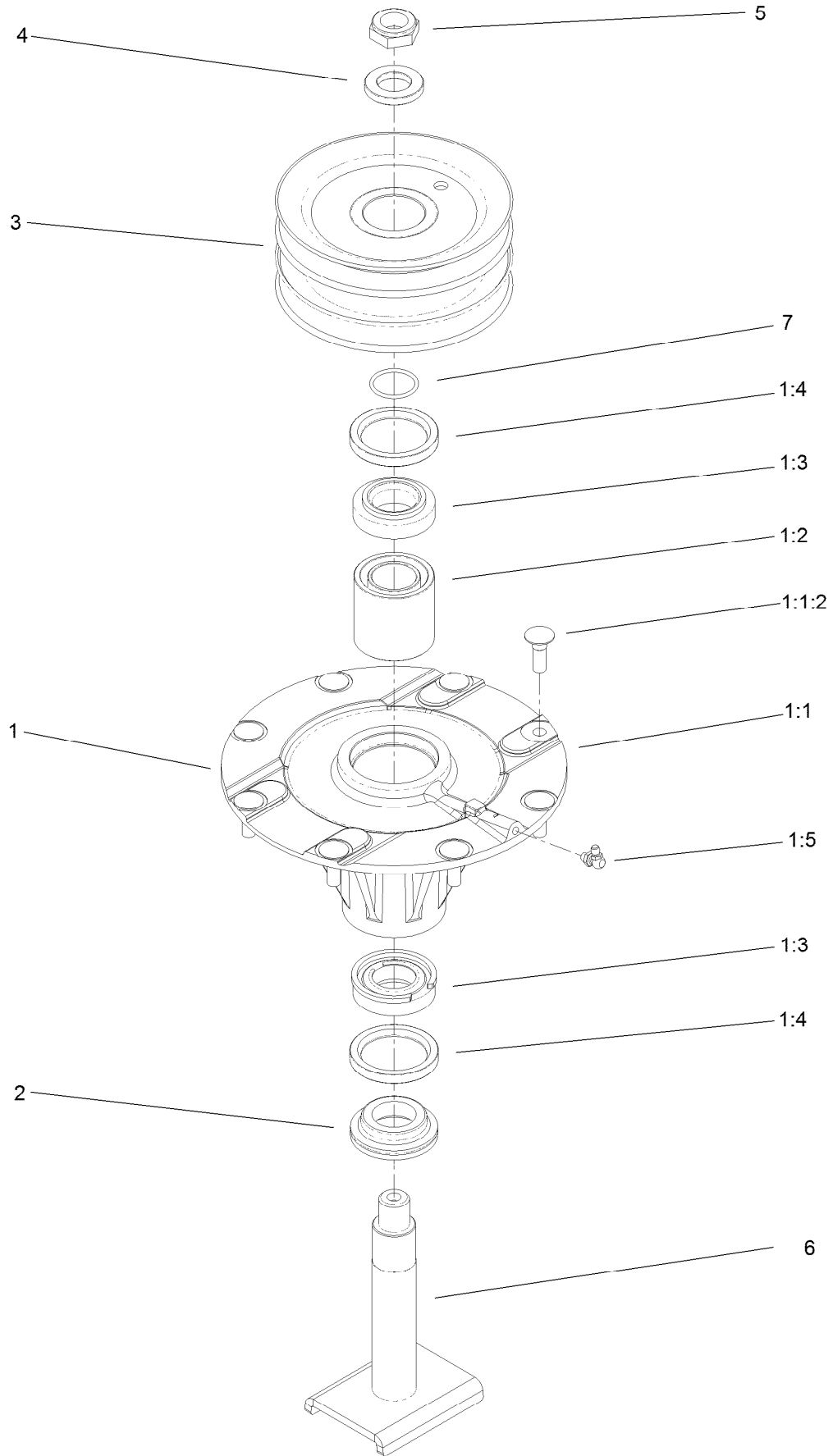
Deck Mount and Deck Cover Assembly



Deck Mount and Deck Cover Assembly (continued)

<i>Ref.</i>	<i>Part Number</i>	<i>Qty.</i>	<i>Description</i>	<i>Ref.</i>	<i>Part Number</i>	<i>Qty.</i>	<i>Description</i>
1	137-3556-03	1	Deck Mount ASM	16	137-3549-01	1	LH Chamber ASM
2	3233-26	4	Screw-CARR, Short Neck	17	137-3550-01	1	Center Chamber ASM
3	99-5107	6	Nut-Lock	18	137-3551-01	1	RH Chamber ASM
5	137-3646	1	Flap-Rear	19	137-3665-01	1	Baffle-Inner
6	137-3647-01	1	Plate-Flap	20	138-3078	1	Decal-Routing, Belt
7	3230-10	7	Bolt-CARR	21	115-8827	2	Foam-Strip
8	104-8300	23	Nut-HF, NI	25	117-4979	2	Decal-Warning
9	74-5950	6	Latch-Swell	26	120-6604	2	Decal-Danger
10	137-3519-03	1	Cover-Deck, LH	27	119-6807	2	Decal-Warning
11	137-3520-03	1	Cover-Deck, RH	28	138-9027-03	2	Shim-Mount, Deck
12	3230-23	16	Screw-CARR	29	3256-26	2	Washer-Flat
13	3234-47	2	Screw-HHF	30	139-3156-01	1	Stiffener-Deck
14	117-2749	2	Nut-Push	31	3231-27	7	Screw-CARR
15	325-39	2	Screw-HH	32	104-8301	7	Nut-HF, NI

Double Spindle Assembly No. 137-3541

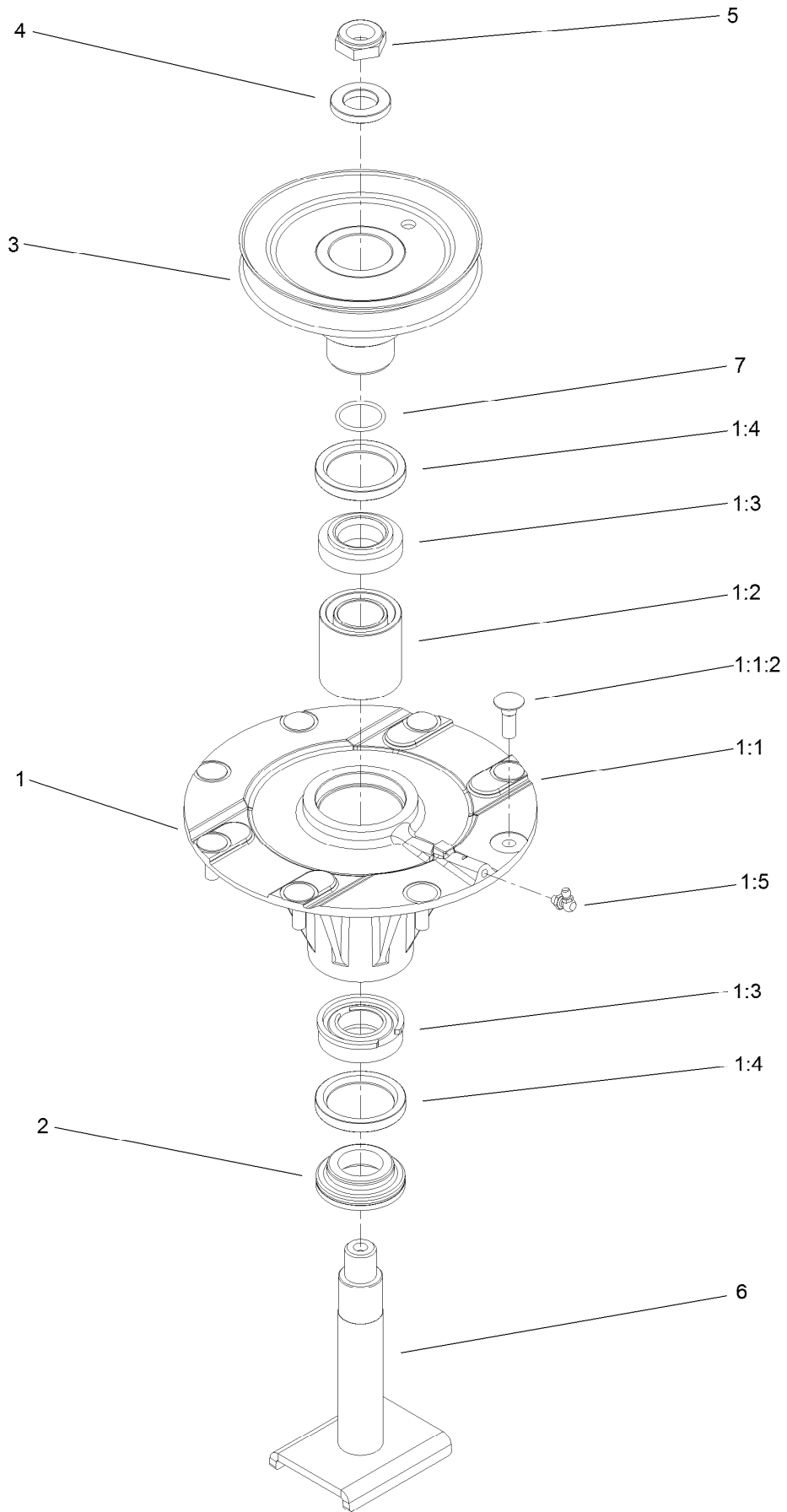


Double Spindle Assembly No. 137-3541 (continued)

<i>Ref.</i>	<i>Part Number</i>	<i>Qty.</i>	<i>Description</i>	<i>Ref.</i>	<i>Part Number</i>	<i>Qty.</i>	<i>Description</i>
1	119-4777	1	Spindle ASM	2	69-6950	1	Spacer-Shaft, Spindle
1:1		1	Spindle ASM ●	3	137-3622	1	Double Pulley ASM
1:1:2	114-8195	8	Bolt-Neck, Ribbed	4	120-5576	1	Washer-Hardened
1:2	108-1954	1	Bearing Spacer Set	5	3296-60	1	Nut-Lock, NI
1:3	110-8297	1	Bearing ASM	6	137-3545	1	Shaft-Spindle
1:4	253-154	2	Seal-Oil	7	106-7159	1	O-Ring
1:5	302-60	1	Fitting-Grease				

● Not serviced separately

High Spindle Assembly No. 137-3542

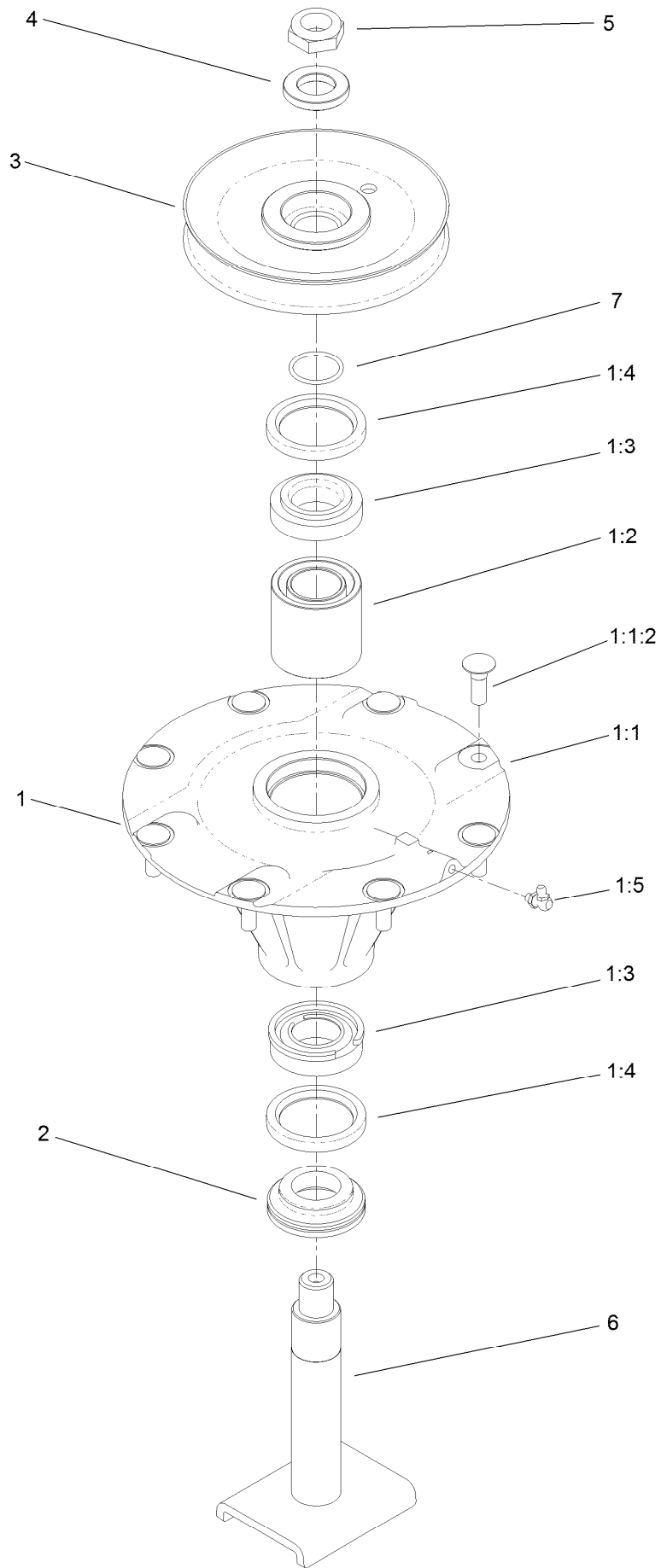


High Spindle Assembly No. 137-3542 (continued)

<i>Ref.</i>	<i>Part Number</i>	<i>Qty.</i>	<i>Description</i>	<i>Ref.</i>	<i>Part Number</i>	<i>Qty.</i>	<i>Description</i>
1	119-4777	1	Spindle ASM	2	69-6950	1	Spacer-Shaft, Spindle
1:1		1	Spindle ASM ●	3	137-3627	1	Single Pulley ASM
1:1:2	114-8195	8	Bolt-Neck, Ribbed	4	120-5576	1	Washer-Hardened
1:2	108-1954	1	Bearing Spacer Set	5	3296-60	1	Nut-Lock, NI
1:3	110-8297	1	Bearing ASM	6	137-3545	1	Shaft-Spindle
1:4	253-154	2	Seal-Oil	7	106-7159	1	O-Ring
1:5	302-60	1	Fitting-Grease				

● Not serviced separately

Low Spindle Assembly No. 137-3543

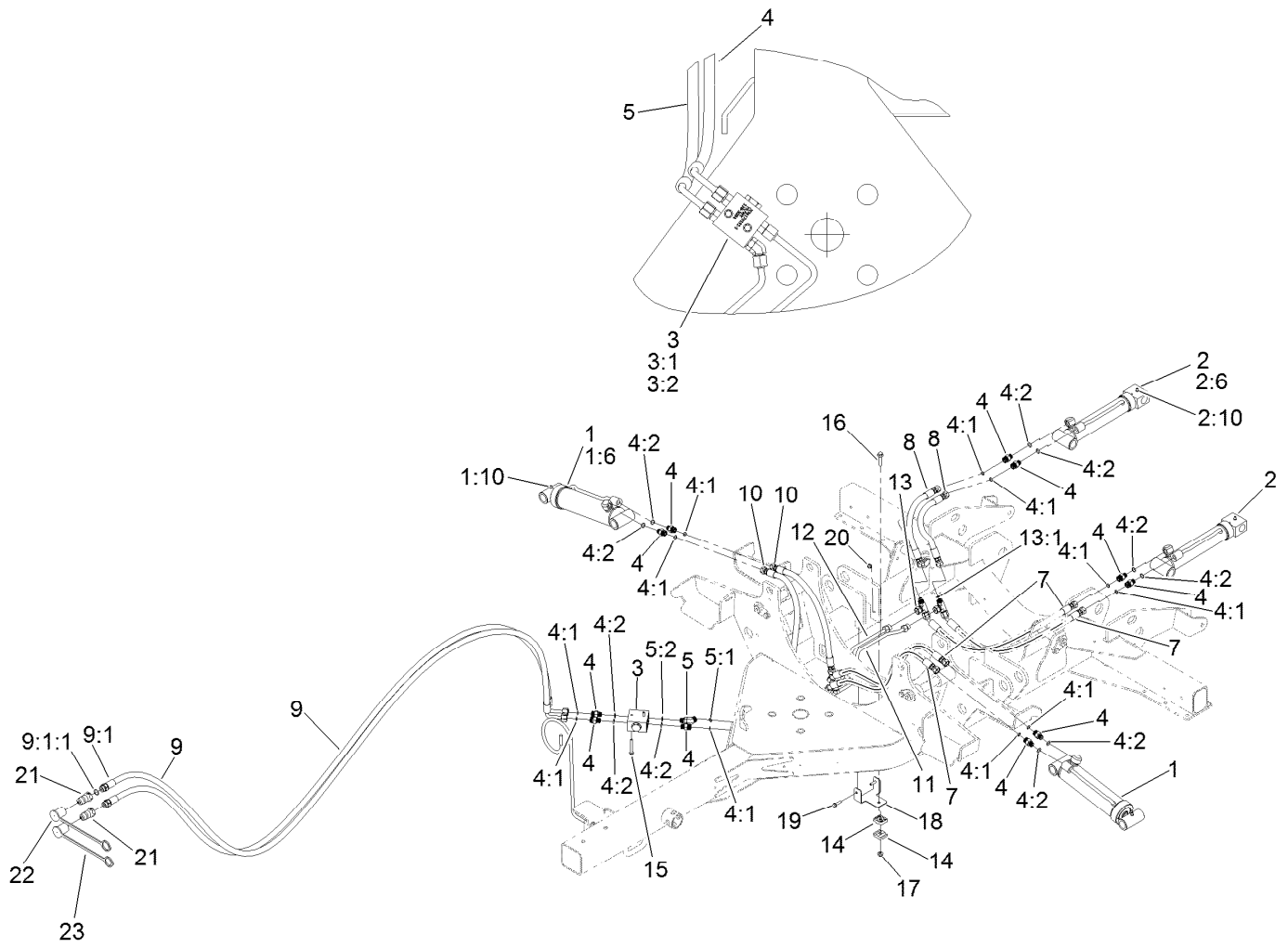


Low Spindle Assembly No. 137-3543 (continued)

<i>Ref.</i>	<i>Part Number</i>	<i>Qty.</i>	<i>Description</i>	<i>Ref.</i>	<i>Part Number</i>	<i>Qty.</i>	<i>Description</i>
1	119-4777	1	Spindle ASM	2	69-6950	1	Spacer-Shaft, Spindle
1:1		1	Spindle ASM ●	3	137-3629	1	Pulley-Driven, Low
1:1:2	114-8195	8	Bolt-Neck, Ribbed	4	120-5576	1	Washer-Hardened
1:2	108-1954	1	Bearing Spacer Set	5	3296-60	1	Nut-Lock, NI
1:3	110-8297	1	Bearing ASM	6	137-3545	1	Shaft-Spindle
1:4	253-154	2	Seal-Oil	7	106-7159	1	O-Ring
1:5	302-60	1	Fitting-Grease				

● Not serviced separately

Hydraulic Assembly



Hydraulic Assembly (continued)

<i>Ref.</i>	<i>Part Number</i>	<i>Qty.</i>	<i>Description</i>	<i>Ref.</i>	<i>Part Number</i>	<i>Qty.</i>	<i>Description</i>
1	137-3570	2	Cylinder ASM	9	138-5296	2	Hose ASM
1:6	137-3608	1	Kit-Seal	9:1		1	Fitting-Straight, Rgd ■
1:10	302-5	1	Fitting-Grease	9:1:1	237-79	1	O-Ring
2	137-3598	2	Cylinder ASM	10	138-5297	2	Hose ASM
2:6	137-3609	1	Kit-Seal	11	138-3064	1	Tube ASM
2:10	302-5	1	Fitting-Grease	12	138-3065	1	Tube ASM
3	138-3094	1	Manifold	13	340-166	2	Fitting-Tee
3:1		1	Manifold Block ■	13:1	237-22	2	O-Ring
3:2	110-8881	1	Valve-Check	14	56-7973	2	Clamp-Tube
3:2:1	105-9159	1	Seal Kit ●	15	3234-34	2	Screw-HHF
4	340-2	11	Fitting-Straight	16	115-1794	1	Screw-HHF
4:1	237-22	1	O-Ring	17	104-8300	1	Nut-HF, NI
4:2	237-42	1	O-Ring	18	138-3096-01	1	Bracket-Hardline
5	340-87	1	Fitting-Elbow, 45 DEG	19	120-4654	2	Screw-HHF
5:1	237-22	1	O-Ring	20	104-7201	2	Nut-HF
5:2	237-42	1	O-Ring	21	133-7828	2	Coupler-Connect, Quick
7	105-9817	4	Hose-HYD	22	138-3066	1	Cap-Dust, Red
8	99-3576	2	Hose-HYD	23	T56152152	1	Cap-Connect, Quick

● Not illustrated

■ Not serviced separately

Attachments and Accessories

For 31905 Groundsmaster 1200 Series Pull Behind Rotary Mower

Product Name	Model/Part
High Lift Blades MVP Kit.....	138-9028
Standard Lift MVP Kit	138-9029

Notes:



Count on it.