



Count on it.

Parts Catalog

**Groundsmaster® 1200 Series
Pull Behind Rotary Mower**

Model No. 31905—Serial No. 404800001 and Up



Ordering Replacement Parts

To order replacement parts, please supply the part number, the quantity, and the description of each part desired.

Understanding Reference Numbers

Each identified part in an illustration has a reference number. The reference number for a part also appears in the parts list, along with other information about the part.

This catalog uses two special reference number formats, one to indicate parts in a service assembly and another to indicate the quantity of a given part in an illustration.

Service Assembly Reference Numbers

Parts in service assemblies have reference numbers in the form a:b. The a represents the reference number of the entire service assembly and the b represents a sequential number unique to each part within the service assembly.

For example, a wheel assembly might be identified by reference number 6, the tire by 6:1, the valve by 6:2, and the wheel by 6:3. When you order the assembly identified by reference number 6, you receive all parts identified by reference numbers 6:1, 6:2, and 6:3. However, you may also order any part individually. Reference numbers of this type appear in illustration and in parts lists.

Reference Numbers Indicating Quantity

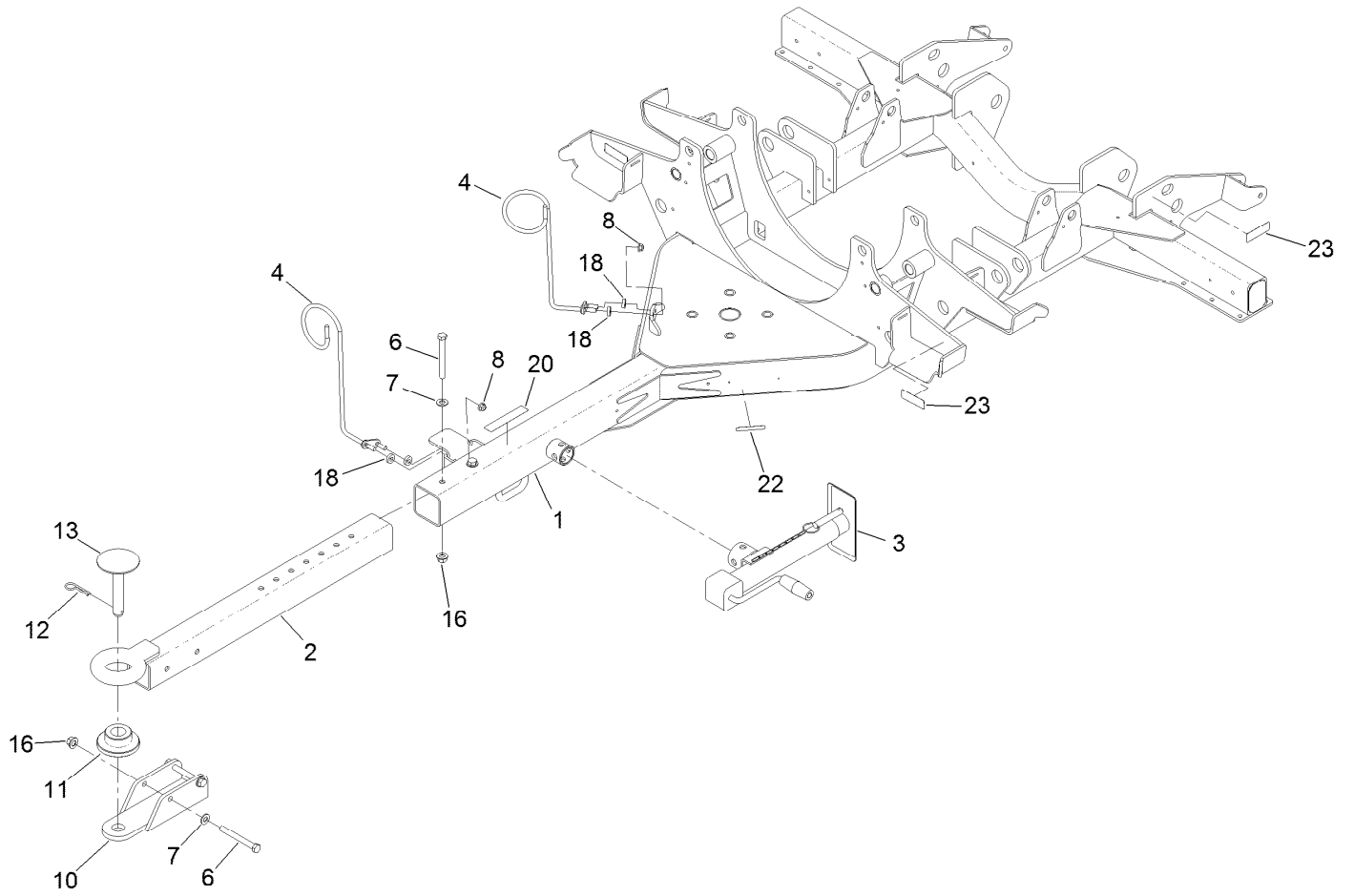
In an illustration, if a reference number indicates more than one part, the reference number has the form nX y. The n represents the quantity of the part, the X is the multiplication symbol, and the y represents the reference number.

For example, in an illustration, the reference number 2X 37 means that two of the parts identified by reference number 37 are indicated.

Contents

Frame Assembly	4
Lift Arm Assembly No. 2	6
Lift Arm Assembly No. 3	8
Lift Arm Assembly No. 1	10
Tire and Axle Assembly	12
LH Torsion Axle Assembly No. 137-3572	14
RH Torsion Axle Assembly No. 137-3573	16
Gearbox and Driveshaft Assembly	18
Main Driveshaft Assembly No. 138-9039	20
Rear Driveshaft Assembly No. 138-9040	22
Side Driveshaft Assembly No. 138-9041	24
Deck Assembly	26
Blade, Pulley and Spindle Assembly	28
Deck Assembly No. 138-9026	30
Double Spindle Assembly No. 137-3541	32
High Spindle Assembly No. 137-3542	34
Low Spindle Assembly No. 137-3543	36
Deck Mount and Deck Cover Assembly	38
Hydraulic Assembly	40
Attachments and Accessories	42

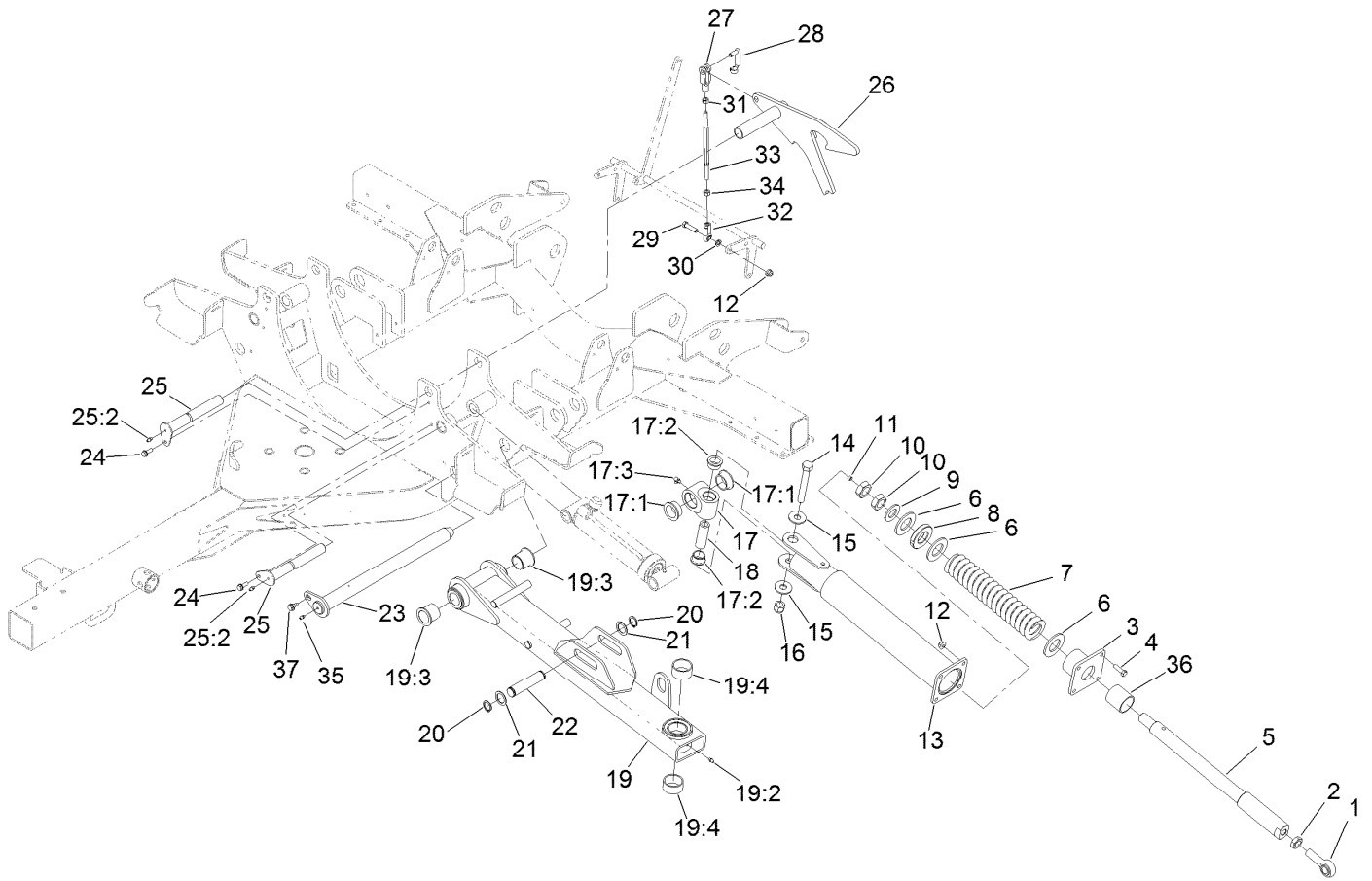
Frame Assembly



Frame Assembly (continued)

<i>Ref.</i>	<i>Part Number</i>	<i>Qty.</i>	<i>Description</i>	<i>Ref.</i>	<i>Part Number</i>	<i>Qty.</i>	<i>Description</i>
1	137-3501-01	1	Frame ASM	11	137-3591	1	Bushing-Flange
2	137-3578-01	1	Hitch ASM	12	3290-343	1	Pin-Hair
3	T0000-3423	1	Jack-Sidewind	13	137-3606	1	Hitch Pin ASM
4	119-3920	2	Guide-Hose, RH	16	99-5107	4	Nut-Lock
6	325-18	4	Screw-HH	18	5-0652	4	Spacer
7	3256-26	4	Washer-Flat	20	110-4668	1	Decal-Warning, PTO
8	104-8301	4	Nut-HF, NI	22	133-8061	1	Decal-Warning
10	137-3594-01	1	Clevis ASM	23	120-0625	4	Decal-Warning

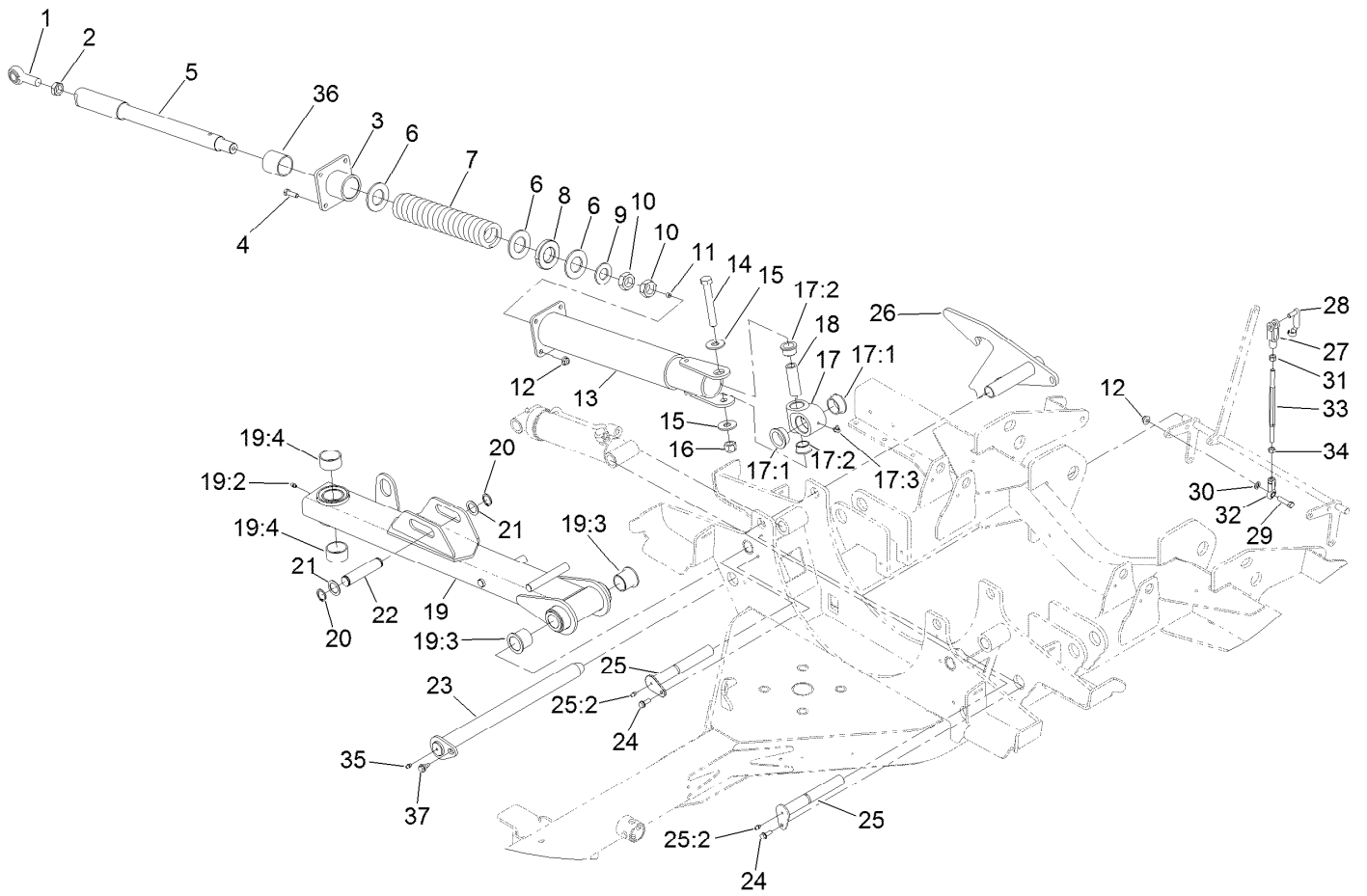
Lift Arm Assembly No. 2



Lift Arm Assembly No. 2 (continued)

<i>Ref.</i>	<i>Part Number</i>	<i>Qty.</i>	<i>Description</i>	<i>Ref.</i>	<i>Part Number</i>	<i>Qty.</i>	<i>Description</i>
1	105-2806	1	End-Rod	19:2	302-5	1	Fitting-Grease
2	3220-7	1	Nut-Jam	19:3	69-6470	2	Bushing-Caster
3	114-5677-03	1	Housing	19:4	114-5596	2	Bushing-Straight
4	323-7	4	Screw-HH	20	32151-36	2	Ring-Retaining
5	117-9404	1	Shaft-Spring	21	10-8110	2	Washer-Thrust
6	114-5986	3	Washer-Plain	22	138-5272	1	Pin-Cylinder
7	114-5993	1	Spring-Compression	23	137-3604	1	Pin-Arm, Lift
8	114-5992	1	Bearing-Plastic	24	32144-41	2	Screw-Taptite
9	3256-62	1	Washer-Flat	25	138-6330	2	Cylinder Pin ASM
10	3220-9	2	Nut-Jam	25:2	302-5	1	Fitting-Grease
11	285-17	1	Plug-Pipe	26	138-3068	1	LH Wing Latch ASM
12	104-8301	5	Nut-HF, NI	27	1-633131	1	Yoke-Linkage, Brake
13	137-3599-01	1	Arm-Impact	28	103-2399	1	Pin-Spring, Clevis
14	327-23	1	Screw-HH	29	323-8	1	Screw-HH
15	3256-7	2	Washer-Flat	30	3253-21	1	Washer-Lock
16	3296-53	1	Nut-Lock, NI	31	3219-3	1	Nut-Hex
17	115-5468	1	Pivot Hub ASM	32	103-1167	1	Joint-Ball End, LH
17:1	115-5469	2	Bushing-Flange	33	137-3692	1	Rod-Adjuster, Wing
17:2	114-5680	2	Bushing-Flange	34	3219-20	1	Nut-Hex, LH
17:3	302-60	1	Fitting-Grease	35	302-5	1	Fitting-Grease
18	94-6604	1	Tube-Spacer	36	114-5989	1	Bushing-Plain
19	137-3562	1	#2 Lift Arm ASM	37	99-5105	1	Screw-Shoulder

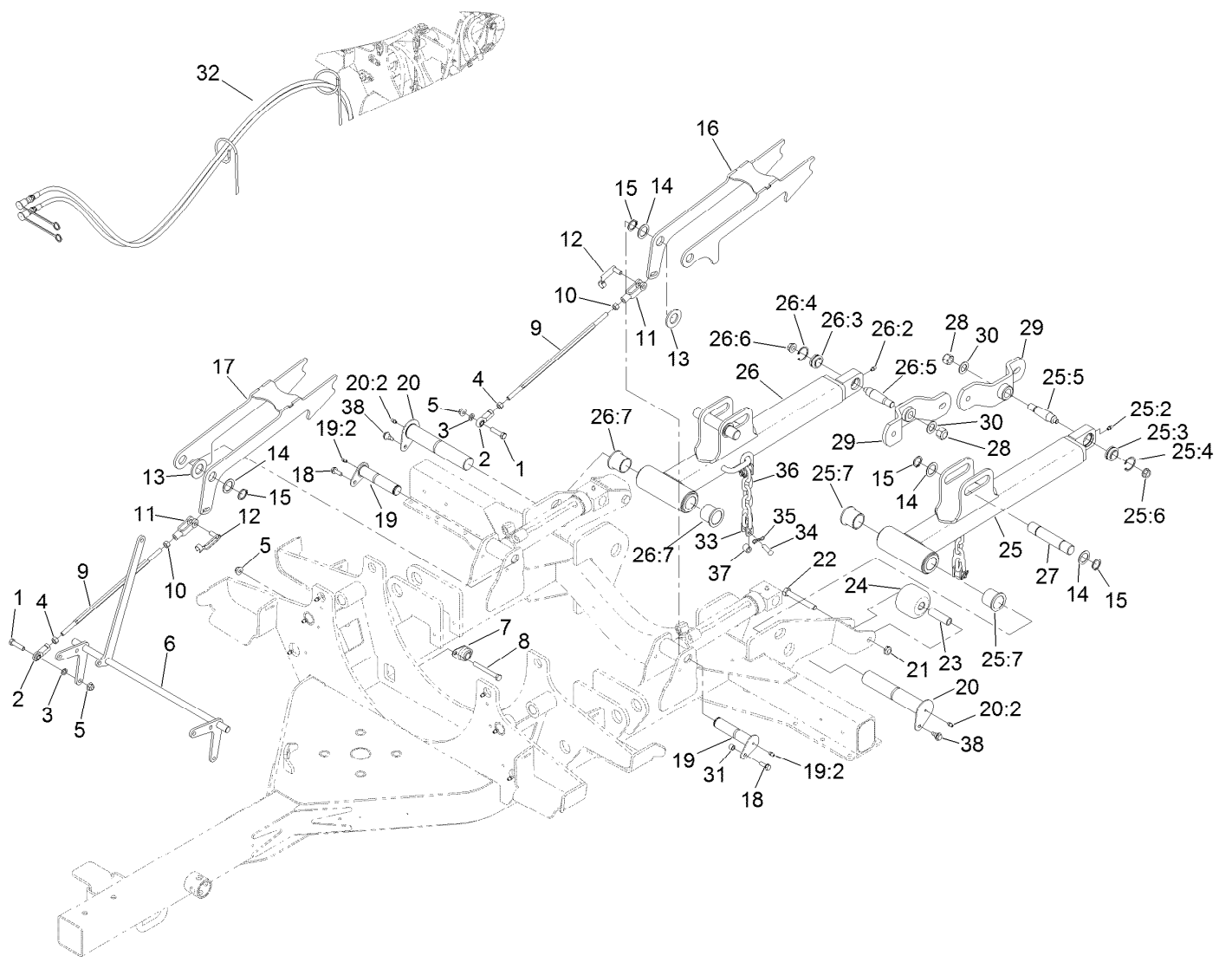
Lift Arm Assembly No. 3



Lift Arm Assembly No. 3 (continued)

<i>Ref.</i>	<i>Part Number</i>	<i>Qty.</i>	<i>Description</i>	<i>Ref.</i>	<i>Part Number</i>	<i>Qty.</i>	<i>Description</i>
1	105-2806	1	End-Rod	19:2	302-5	1	Fitting-Grease
2	3220-7	1	Nut-Jam	19:3	69-6470	2	Bushing-Caster
3	114-5677-03	1	Housing	19:4	114-5596	2	Bushing-Straight
4	323-7	4	Screw-HH	20	32151-36	2	Ring-Retaining
5	117-9404	1	Shaft-Spring	21	10-8110	2	Washer-Thrust
6	114-5986	3	Washer-Plain	22	138-5272	1	Pin-Cylinder
7	114-5993	1	Spring-Compression	23	137-3604	1	Pin-Arm, Lift
8	114-5992	1	Bearing-Plastic	24	32144-41	2	Screw-Taptite
9	3256-62	1	Washer-Flat	25	138-6330	2	Cylinder Pin ASM
10	3220-9	2	Nut-Jam	25:2	302-5	1	Fitting-Grease
11	285-17	1	Plug-Pipe	26	138-3069	1	RH Wing Latch ASM
12	104-8301	5	Nut-HF, NI	27	1-633131	1	Yoke-Linkage, Brake
13	137-3599-01	1	Arm-Impact	28	103-2399	1	Pin-Spring, Clevis
14	327-23	1	Screw-HH	29	323-8	1	Screw-HH
15	3256-7	2	Washer-Flat	30	3253-21	1	Washer-Lock
16	3296-53	1	Nut-Lock, NI	31	3219-3	1	Nut-Hex
17	115-5468	1	Pivot Hub ASM	32	103-1167	1	Joint-Ball End, LH
17:1	115-5469	2	Bushing-Flange	33	137-3692	1	Rod-Adjuster, Wing
17:2	114-5680	2	Bushing-Flange	34	3219-20	1	Nut-Hex, LH
17:3	302-60	1	Fitting-Grease	35	302-5	1	Fitting-Grease
18	94-6604	1	Tube-Spacer	36	114-5989	1	Bushing-Plain
19	137-3563	1	#3 Lift Arm ASM	37	99-5105	1	Screw-Shoulder

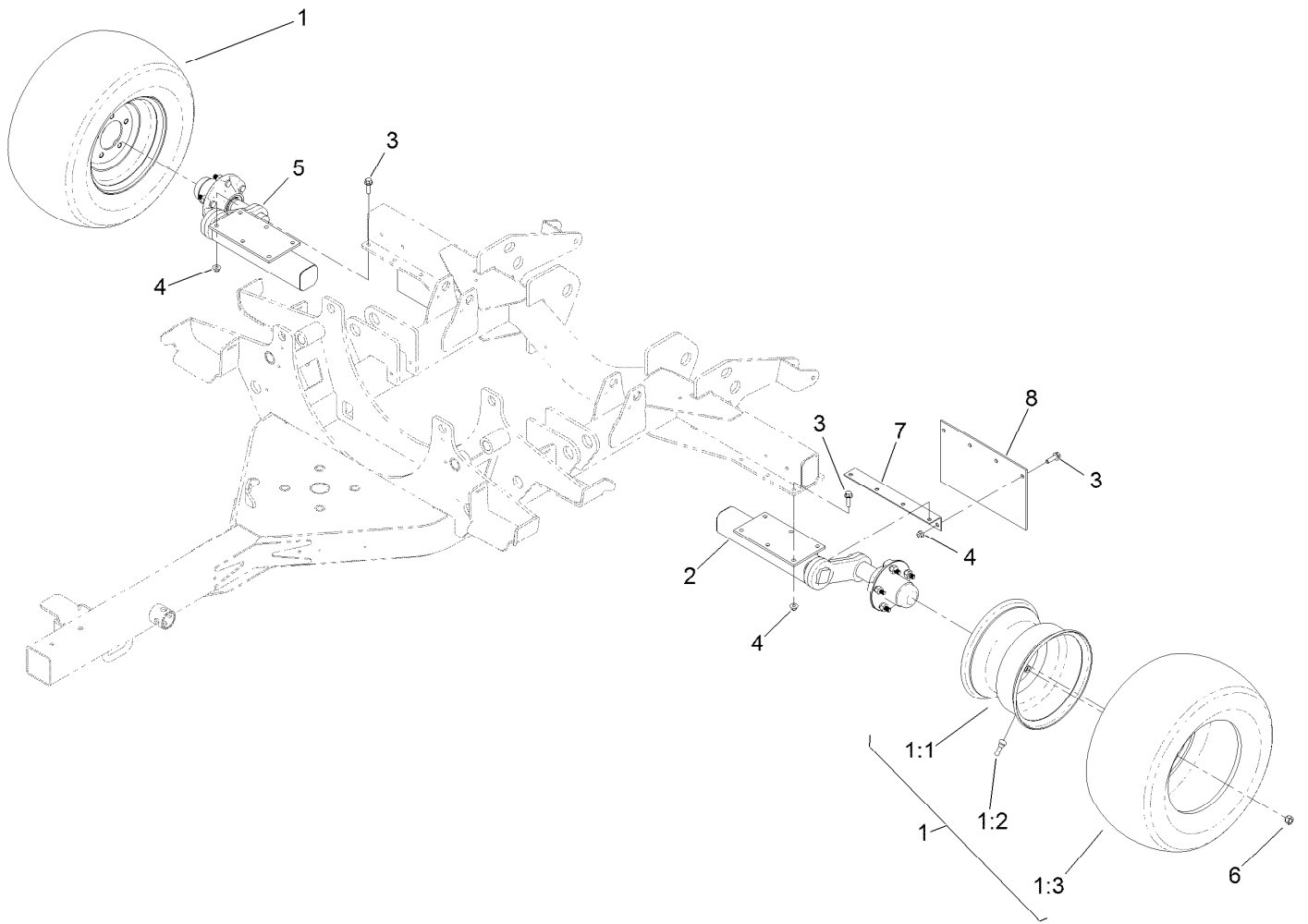
Lift Arm Assembly No. 1



Lift Arm Assembly No. 1 (continued)

<i>Ref.</i>	<i>Part Number</i>	<i>Qty.</i>	<i>Description</i>	<i>Ref.</i>	<i>Part Number</i>	<i>Qty.</i>	<i>Description</i>
1	323-8	2	Screw-HH	25	137-3561	1	#1 Lift Arm LH ASM
2	103-1167	2	Joint-Ball End, LH	25:2	302-5	1	Fitting-Grease
3	3253-21	2	Washer-Lock	25:3	105-7441	1	Bearing-Spherical
4	3219-20	2	Nut-Hex, LH	25:4	32151-34	1	Ring-Retaining
5	104-8301	6	Nut-HF, NI	25:5	105-7468	1	Stud-Tapered
6	137-3688-03	1	Latch Shaft ASM	25:6	32128-42	1	Nut-HF
7	256-236	2	Bearing-Mount, Flange	25:7	69-6470	2	Bushing-Caster
8	323-20	4	Screw-HH	26	137-3584	1	#1 Lift Arm RH ASM
9	137-3691	2	Rod-Adjuster, Rear	26:2	302-5	1	Fitting-Grease
10	3219-3	2	Nut-Hex	26:3	105-7441	1	Bearing-Spherical
11	1-633131	2	Yoke-Linkage, Brake	26:4	32151-34	1	Ring-Retaining
12	103-2399	2	Pin-Spring, Clevis	26:5	105-7468	1	Stud-Tapered
13	3256-62	2	Washer-Flat	26:6	32128-42	1	Nut-HF
14	10-8110	6	Washer-Thrust	26:7	69-6470	2	Bushing-Caster
15	32151-36	6	Ring-Retaining	27	137-3617	2	Pin-Cylinder
16	138-3076	1	Latch-Rear-LH	28	3296-41	2	Nut-Lock NI
17	138-3077	1	Latch-Rear-RH	29	137-3581-01	2	Hub Support ASM
18	32144-41	2	Screw-Taptite	30	86-1440	2	Washer-Flat
19	138-6331	2	Lift Arm Pin ASM	31	105-5723	2	Spacer-Tube
19:2	302-5	1	Fitting-Grease	32	20-9580	1	Rope-Latch
20	138-6332	2	Lift Arm Pin ASM	33	5-2942	4	Shackle
20:2	302-5	1	Fitting-Grease	34	283-42	4	Pin-Clevis
21	3296-45	2	Nut-Hex	35	119-1415	4	Pin-Cotter, Locking
22	325-15	2	Screw-HH	36	138-5274	2	Chain-6 Link
23	115-2144	2	Tube-Spacer	37	75-5270	2	Spacer-Knob, Seat
24	115-3366	2	Roller	38	99-5105	2	Screw-Shoulder

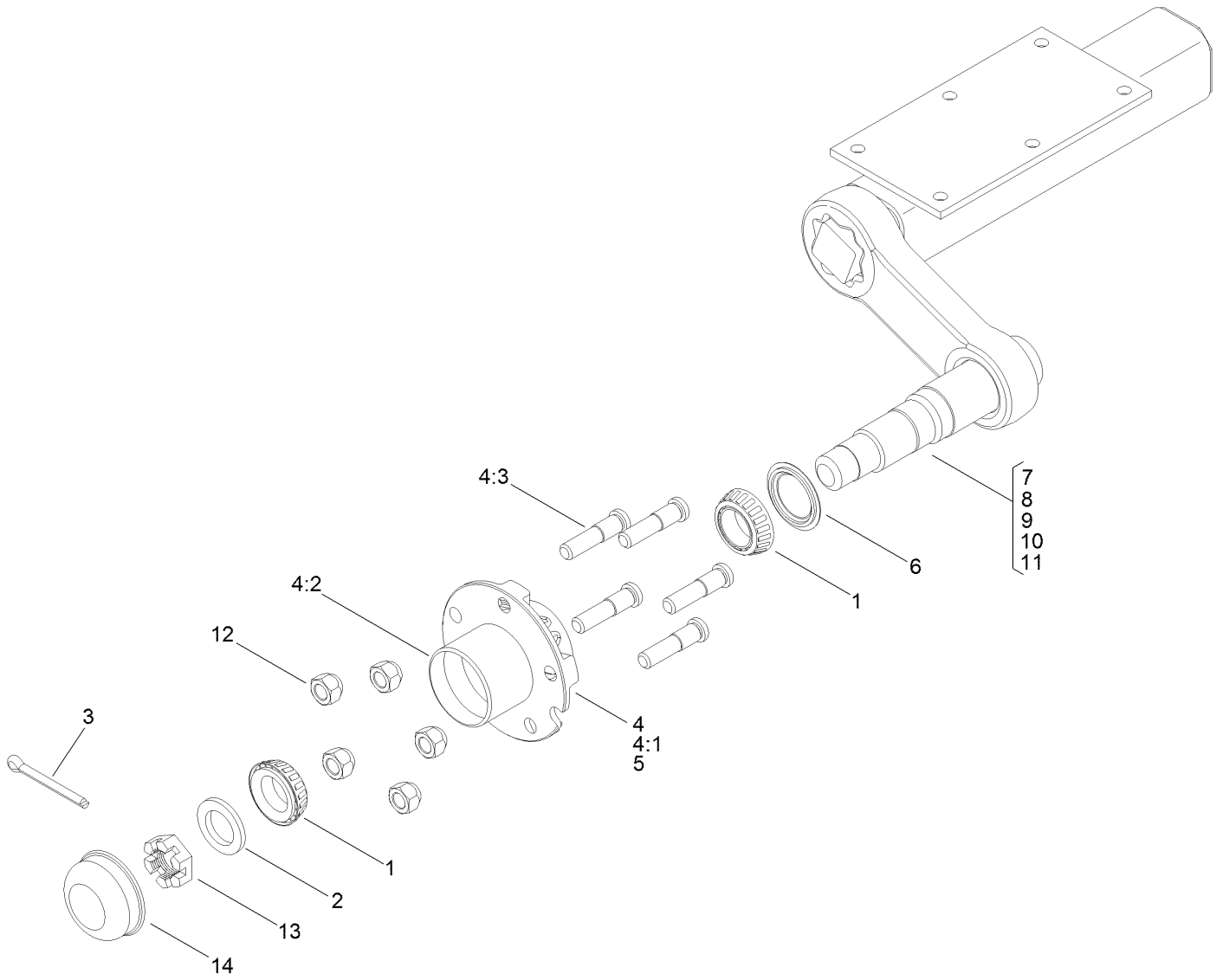
Tire and Axle Assembly



Tire and Axle Assembly (continued)

<i>Ref.</i>	<i>Part Number</i>	<i>Qty.</i>	<i>Description</i>	<i>Ref.</i>	<i>Part Number</i>	<i>Qty.</i>	<i>Description</i>
1	137-3571	2	Tire ASM	4	104-8301	20	Nut-HF, NI
1:1	115-1573	1	Rim	5	137-3573	1	RH Torsion Axle ASM
1:2	232-27	1	Stem-Valve	6	242-35	10	Nut-Wheel
1:3	120-8910	1	Tire-Off Road	7	138-9006-03	2	Bracket-Flap
2	137-3572	1	LH Torsion Axle ASM	8	138-9007	2	Flap-Rubber
3	3234-24	20	Screw-HHF				

LH Torsion Axle Assembly No. 137-3572

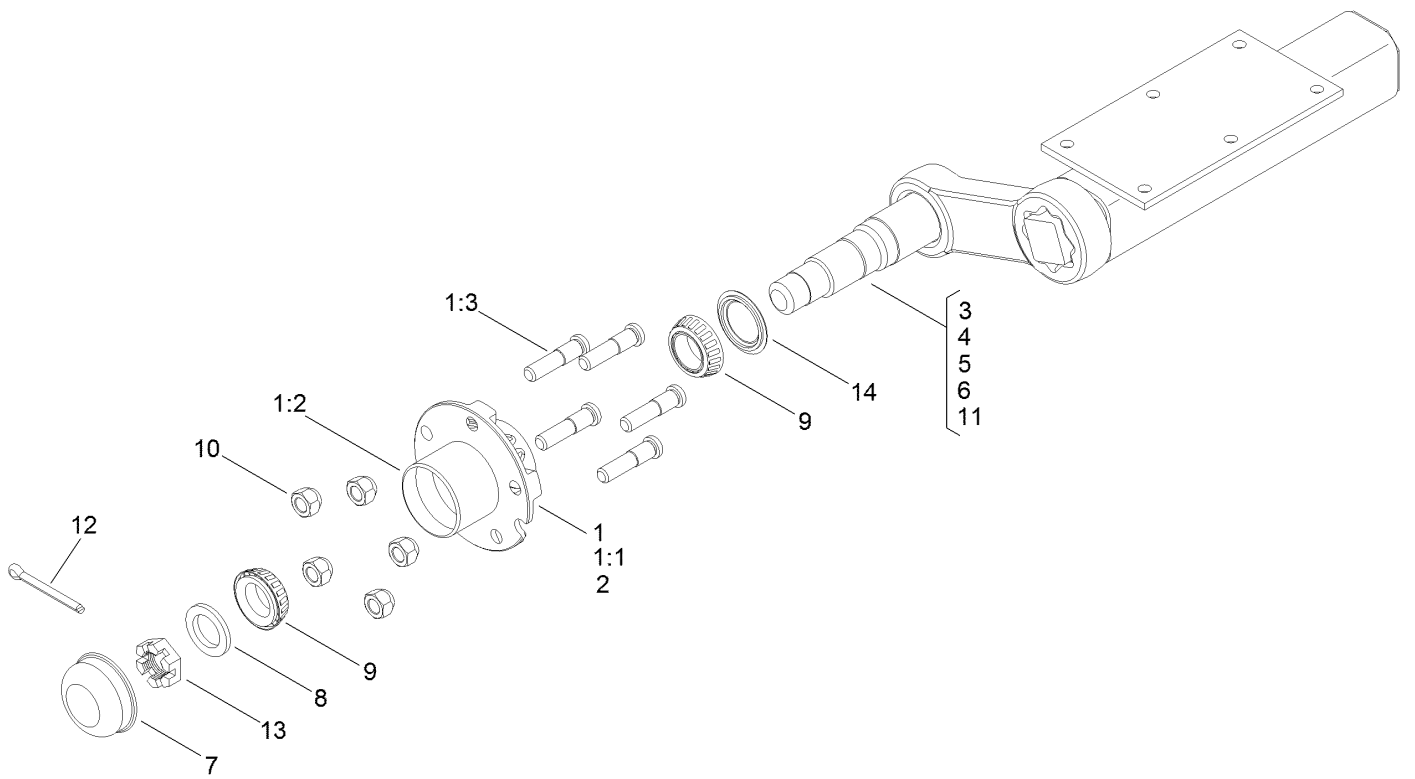


LH Torsion Axle Assembly No. 137-3572 (continued)

<i>Ref.</i>	<i>Part Number</i>	<i>Qty.</i>	<i>Description</i>	<i>Ref.</i>	<i>Part Number</i>	<i>Qty.</i>	<i>Description</i>
1	254-62	2	Bearing-Roller, Cone	7		1	Tube And Bracket ASM ●
2	137-3596	1	Washer-Spindle	8		4	Cord-Rubber ●
3	3272-18	1	Pin-Cotter	9		1	Sticker-Rubber, Torsion ●
4	119-6001	1	Hub ASM	10		1	Sticker-Axle, Serial Tag ●
4:1		1	Hub ●	11		1	Idler ●
4:2	115-9471	2	Bearing-Cup	12	242-35	5	Nut-Wheel
4:3	69-2990	5	Stud-Wheel	13	119-6005	1	Nut-Slotted, Hex
5		1	Grease ●	14	119-6004	1	Cap-Dust
6	137-3595	1	Seal				

● Not serviced separately

RH Torsion Axle Assembly No. 137-3573

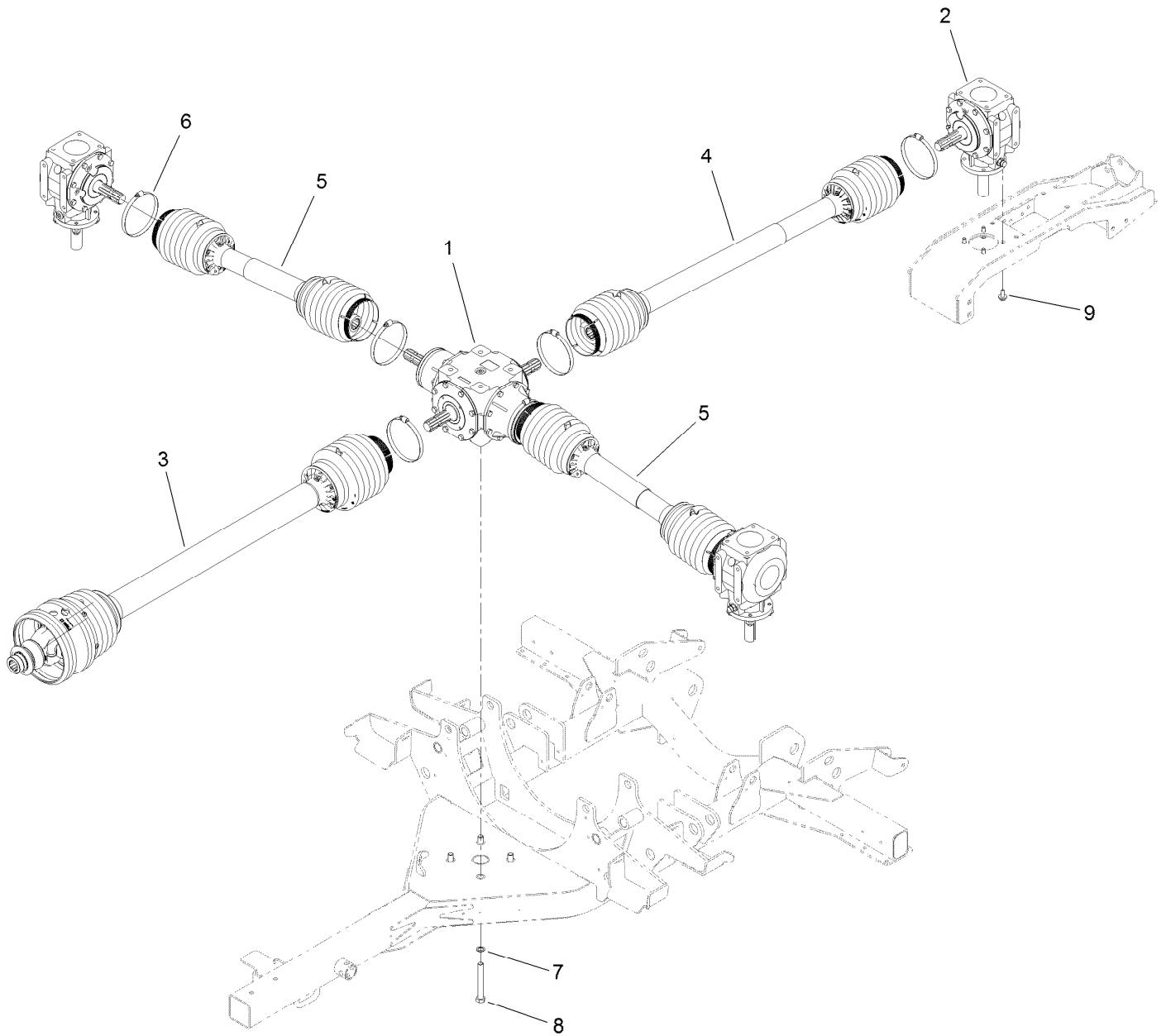


RH Torsion Axle Assembly No. 137-3573 (continued)

<i>Ref.</i>	<i>Part Number</i>	<i>Qty.</i>	<i>Description</i>	<i>Ref.</i>	<i>Part Number</i>	<i>Qty.</i>	<i>Description</i>
1	119-6001	1	Hub ASM	7	119-6004	1	Cap-Dust
1:1		1	Hub ●	8	137-3596	1	Washer-Spindle
1:2	115-9471	2	Bearing-Cup	9	254-62	2	Bearing-Roller, Cone
1:3	69-2990	5	Stud-Wheel	10	242-35	5	Nut-Wheel
2		1	Grease ●	11		1	Idler ●
3		1	Sticker-Axle, Serial Tag ●	12	3272-18	1	Pin-Cotter
4		1	Tube And Bracket ASM ●	13	119-6005	1	Nut-Slotted, Hex
5		4	Cord-Rubber ●	14	137-3595	1	Seal
6		1	Sticker-Rubber, Torsion ●				

● Not serviced separately

Gearbox and Driveshaft Assembly

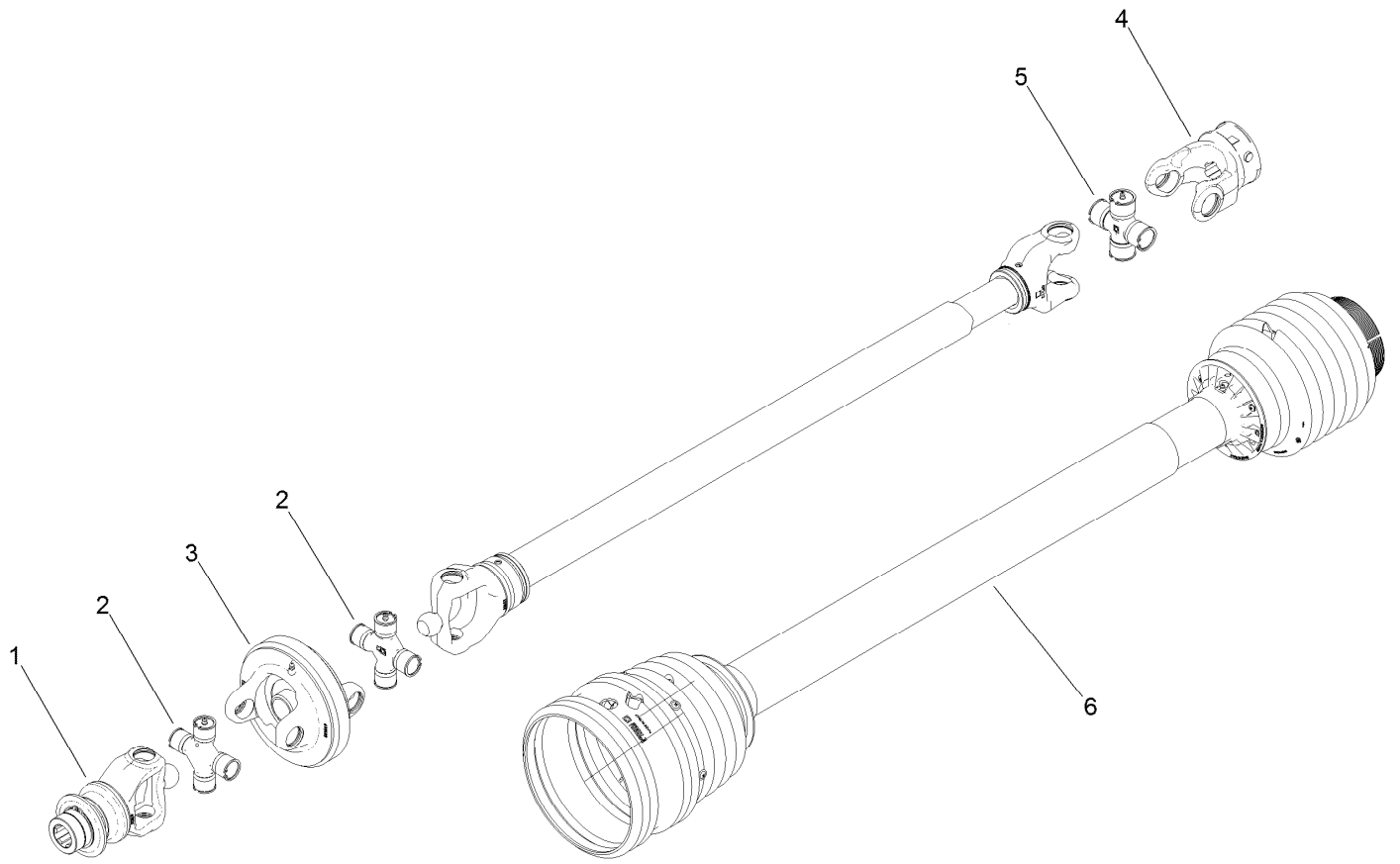


Gearbox and Driveshaft Assembly (continued)

<i>Ref.</i>	<i>Part Number</i>	<i>Qty.</i>	<i>Description</i>	<i>Ref.</i>	<i>Part Number</i>	<i>Qty.</i>	<i>Description</i>
1	139-3154	1	Gearbox-Center	7	3256-69	4	Washer-Flat
2	139-3153	3	Gearbox-Deck	8	327-11	4	Screw-HH
3	138-9039	1	Driveshaft-Main	9	33106-025	12	Screw-HHF
4	138-9040	1	Driveshaft-Rear	99	138-9038	4	Decal-Danger, Entanglement ●
5	138-9041	1	Driveshaft-Side				
6	138-9005	7	Clamp-Hose				

● Not illustrated

Main Driveshaft Assembly No. 138-9039

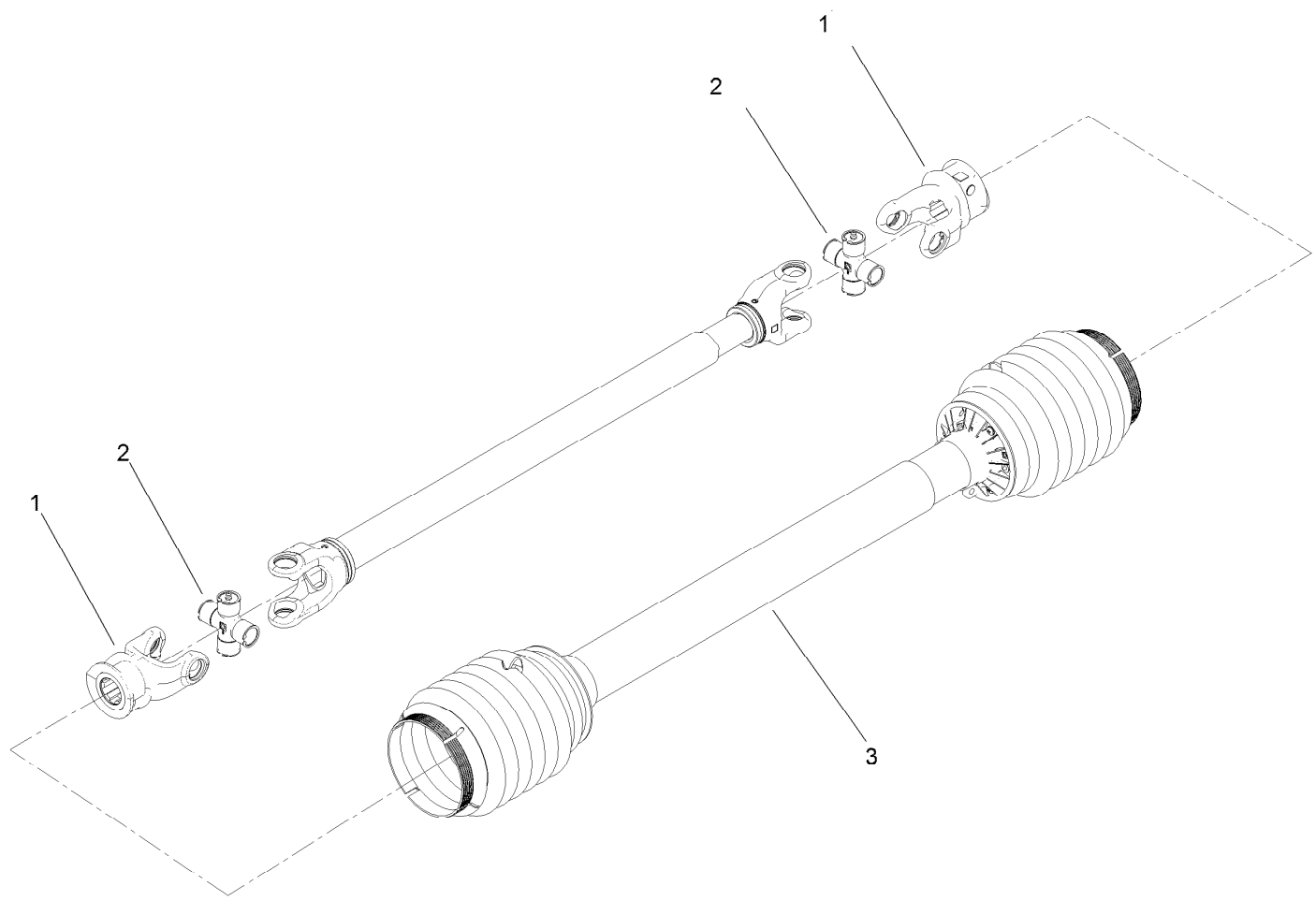


Main Driveshaft Assembly No. 138-9039 (continued)

<i>Ref.</i>	<i>Part Number</i>	<i>Qty.</i>	<i>Description</i>	<i>Ref.</i>	<i>Part Number</i>	<i>Qty.</i>	<i>Description</i>
1	138-9045	1	Yoke-Cv	5	138-9044	1	Cross Kit
2	138-9043	2	Cv Cross Kit	6	138-9042	1	Shield-Shaft, Main
3	138-9046	1	Body-Cv	99	119-3113	2	Chain-Safety ●
4	138-9047	1	Yoke				

● Not illustrated

Rear Driveshaft Assembly No. 138-9040

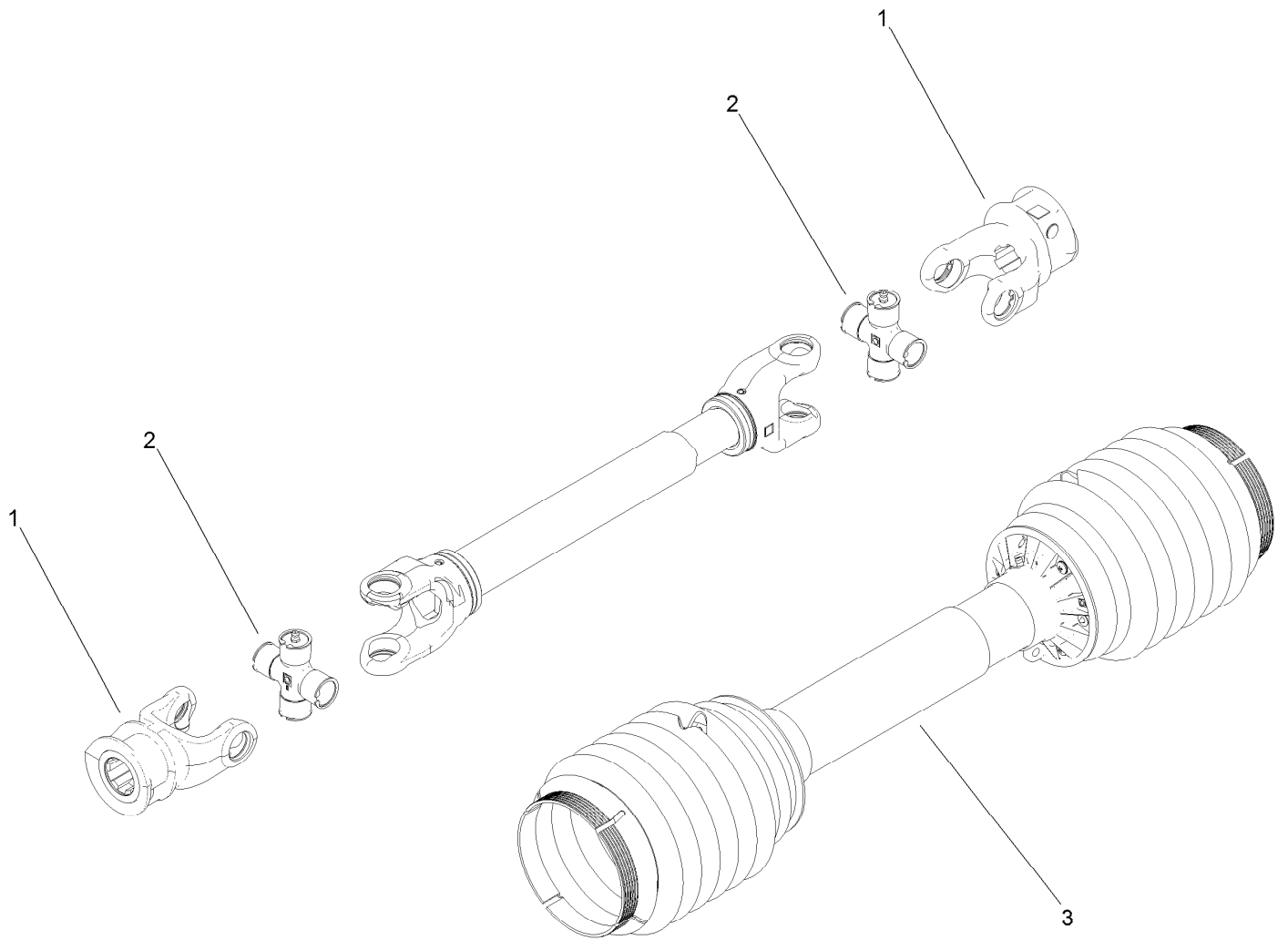


Rear Driveshaft Assembly No. 138-9040 (continued)

<i>Ref.</i>	<i>Part Number</i>	<i>Qty.</i>	<i>Description</i>	<i>Ref.</i>	<i>Part Number</i>	<i>Qty.</i>	<i>Description</i>
1	139-3150	2	Yoke	3	139-3151	1	Shield-Shaft, Rear
2	138-9049	2	Cross Kit	99	119-3113	2	Chain-Safety ●

● Not illustrated

Side Driveshaft Assembly No. 138-9041

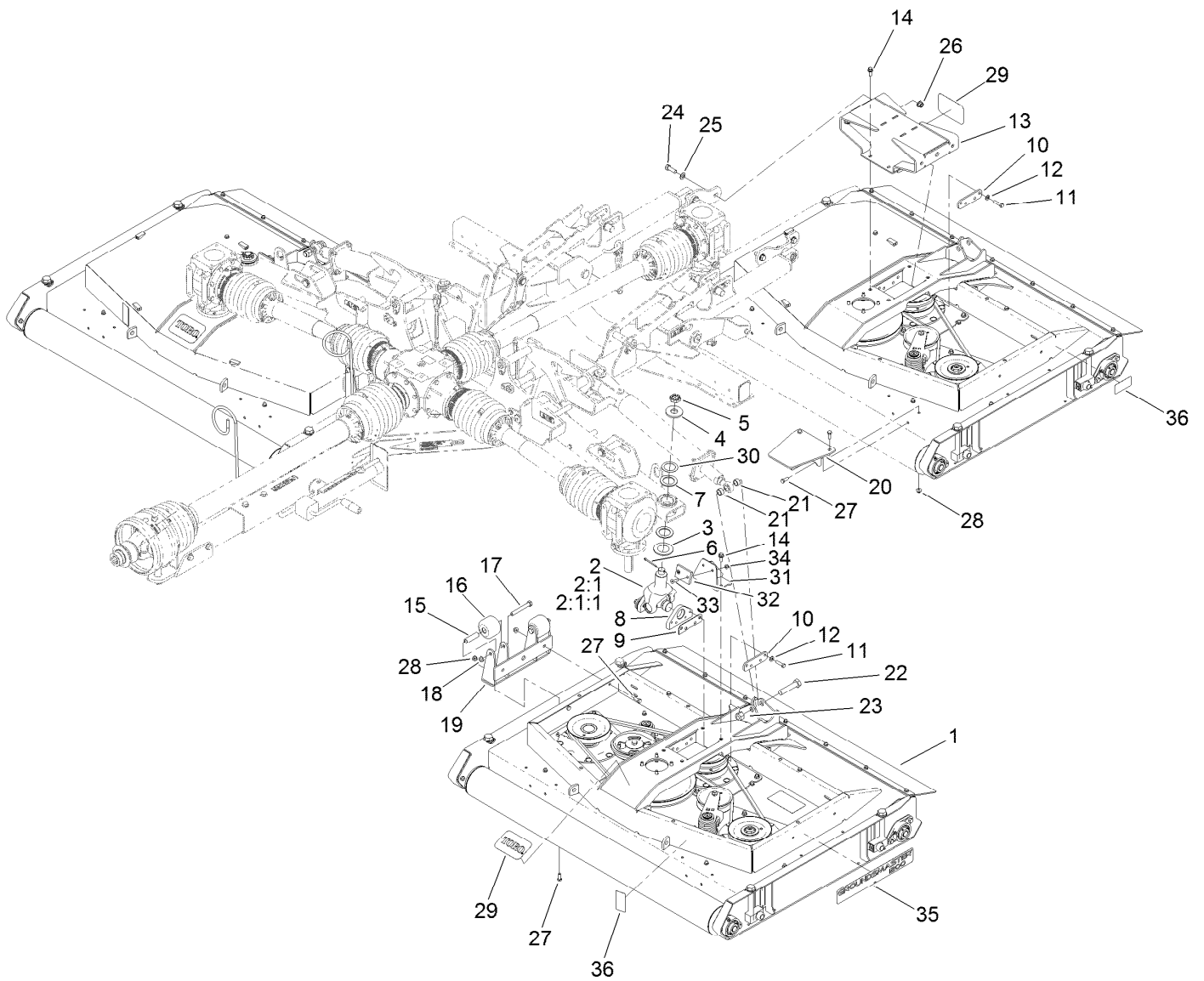


Side Driveshaft Assembly No. 138-9041 (continued)

<i>Ref.</i>	<i>Part Number</i>	<i>Qty.</i>	<i>Description</i>	<i>Ref.</i>	<i>Part Number</i>	<i>Qty.</i>	<i>Description</i>
1	139-3150	2	Yoke	3	139-3152	1	Shield-Shaft, Side
2	138-9049	2	Cross Kit	99	119-3113	2	Chain-Safety ●

● Not illustrated

Deck Assembly

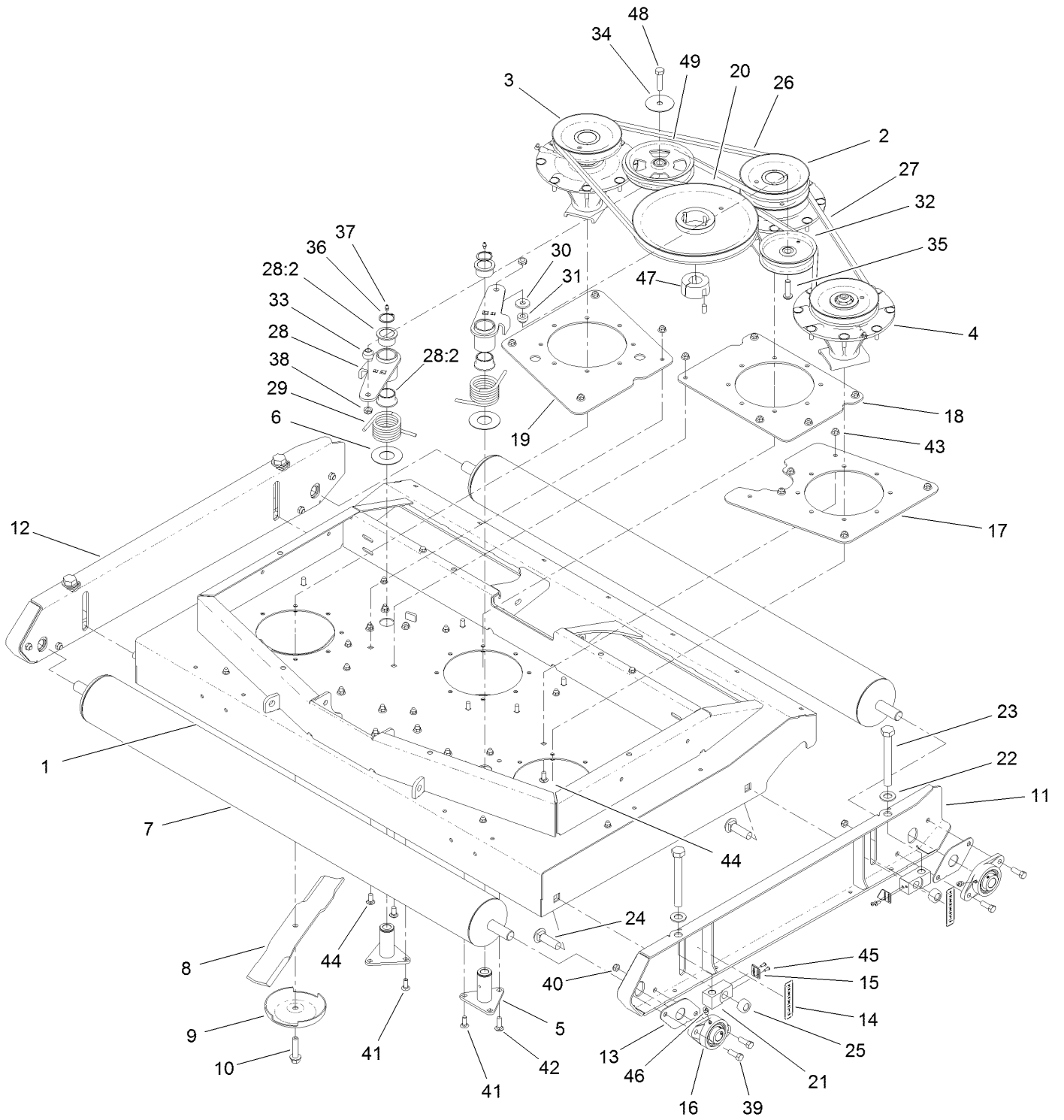


Deck Assembly (continued)

<i>Ref.</i>	<i>Part Number</i>	<i>Qty.</i>	<i>Description</i>	<i>Ref.</i>	<i>Part Number</i>	<i>Qty.</i>	<i>Description</i>
1		3	Deck ASM ●	18	3296-45	4	Nut-Hex
2	114-5640-03	2	Joint Yoke ASM	19	137-3680-01	2	Roller-Kicker
2:1		1	Yoke-Joint ●	20	137-3696-01	2	Plate-Kicker
2:1:1	104-4299	1	Cross And Bearing Kit	21	74-3730	4	Spacer-Spindle, Rear
3	104-0720	2	Spacer	22	328-5	2	Screw-HH
4	104-0719	2	Washer-Hardened	23	3296-51	2	Nut-Lock, NI
5	99-3139	2	Nut-Slotted	24	325-6	4	Screw-HH
6	3272-25	2	Pin-Cotter	25	3256-26	4	Washer-Flat
7	104-0721	4	Washer-Thrust	26	99-5107	4	Nut-Lock
8	137-3699-03	4	Mount-Base	27	323-6	16	Screw-HH
9	104-0731	4	Shim	28	104-8301	16	Nut-HF, NI
10	139-3161	6	Plate-Spacer	29	127-1653	3	Decal
11	323-43	20	Screw-HH	30	114-5641	2	Washer-Thrust
12	100-4852	20	Washer-Hardened	31	138-9000-03	2	Stop-Deck
13	137-3675-03	1	Mount-Deck	32	69-9290	2	Pad-Bumper
14	3234-42	8	Screw-HHF	33	32108-103	4	Screw-FH
15	115-2144	4	Tube-Spacer	34	104-8300	4	Nut-HF, NI
16	115-3366	4	Roller	35	138-3085	2	Decal
17	325-15	4	Screw-HH	36	125-6110	4	Decal-Danger

● Not serviced separately

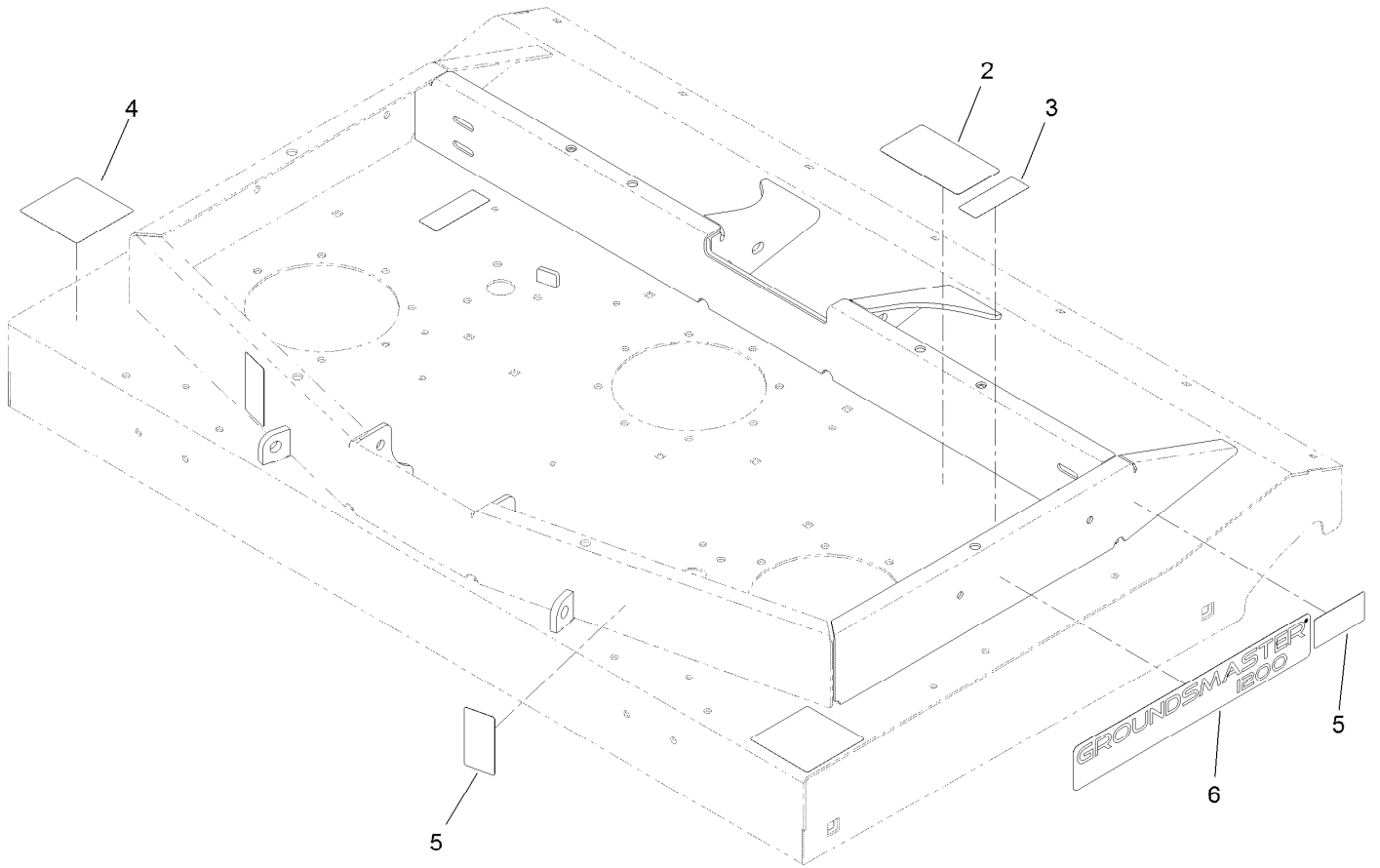
Blade, Pulley and Spindle Assembly



Blade, Pulley and Spindle Assembly (continued)

<i>Ref.</i>	<i>Part Number</i>	<i>Qty.</i>	<i>Description</i>	<i>Ref.</i>	<i>Part Number</i>	<i>Qty.</i>	<i>Description</i>
1	138-9026	1	Deck Shell ASM	26	137-3644	1	Belt-V
2	137-3541	1	Double Spindle ASM	27	137-3645	1	Belt-V
3	137-3542	1	High Spindle ASM	28	137-3649	2	Idler Arm ASM
4	137-3543	1	Low Spindle ASM	28:2	93-4510	2	Bushing-Caster
5	114-0997	2	Pivot-Idler	29	112-7395	2	Spring-Torsion
6	108-1926	2	Washer	30	92-2651	1	Washer
7	137-3676-03	2	Roller ASM	31	121-5274	1	Spacer-Idler
8	137-3659-03	3	Blade-Lift, Medium	32	1-613098	1	Pulley-Idler
9	72-9361	3	Cup-Scalp, Anti	33	69-6970	1	Spacer-Idler, Flat
10	104-2444	3	Bolt-Blade, LH Thread	34	100-3102	1	Washer-Flat
11	138-3083-01	1	Skid-LH	35	108-1993	1	Screw-HSBH
12	138-3084-01	1	Skid-RH	36	32120-84	2	Ring-Snap, External
13	138-5271	4	Shim-Bearing	37	302-5	2	Fitting-Grease
14	138-3087	4	Decal-HOC	38	3296-45	2	Nut-Hex
15	138-3098	4	Indicator-HOC	39	324-5	8	Screw-HH
16	138-5270	4	Bearing-Flange, 2 Bolt	40	126-9780	8	Nut-Lock
17	137-3635-01	1	Plate-Doubler, LH	41	3231-22	4	Screw-CARR
18	137-3636-01	1	Plate-Doubler, Center	42	3231-25	2	Bolt-CARR
19	137-3637-01	1	Plate-Doubler, RH	43	104-8301	43	Nut-HF, NI
20	138-5283	1	Pulley-Drive	44	3231-27	13	Screw-CARR
21	138-3086	4	Block-HOC	45	115-9830	8	Screw-HSBH
22	3256-28	4	Washer-Flat	46	302-33	4	Fitting-Grease
23	137-3648	4	Screw-HHCS	47	137-3660	1	Bushing-Taperlock, 32Mm
24	HDW17555	4	Bolt-Carriage	48	325-8	1	Screw-HH
25	138-3092	4	Nut-Hex	49	132-9421	1	Pulley-Idler, Flat

Deck Assembly No. 138-9026

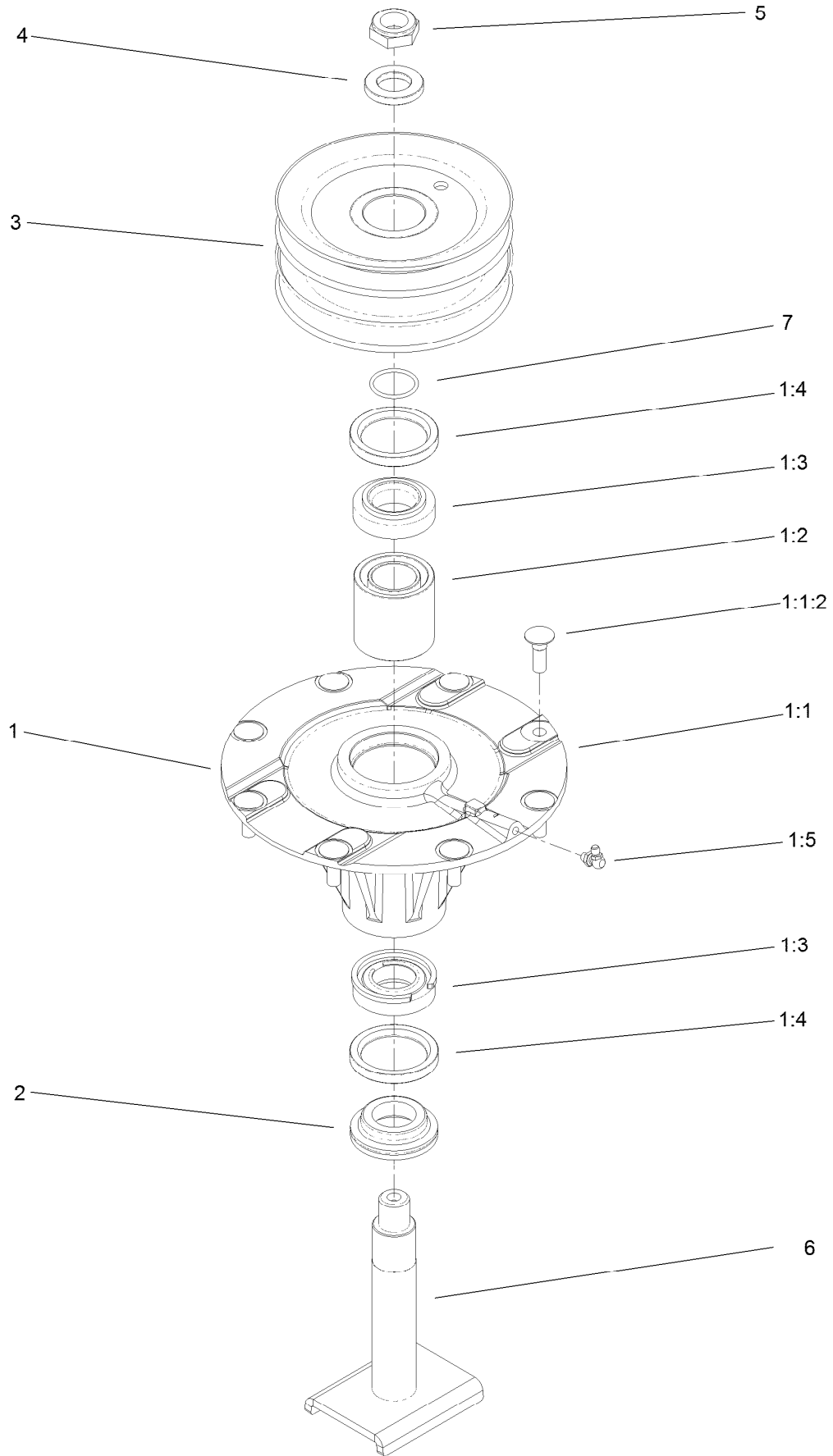


Deck Assembly No. 138-9026 (continued)

<i>Ref.</i>	<i>Part Number</i>	<i>Qty.</i>	<i>Description</i>
2	138-3078	1	Decal-Routing, Belt
3	117-4979	2	Decal-Warning
4	120-6604	2	Decal-Danger

<i>Ref.</i>	<i>Part Number</i>	<i>Qty.</i>	<i>Description</i>
5	125-6110	4	Decal-Danger
6	138-3085	2	Decal

Double Spindle Assembly No. 137-3541

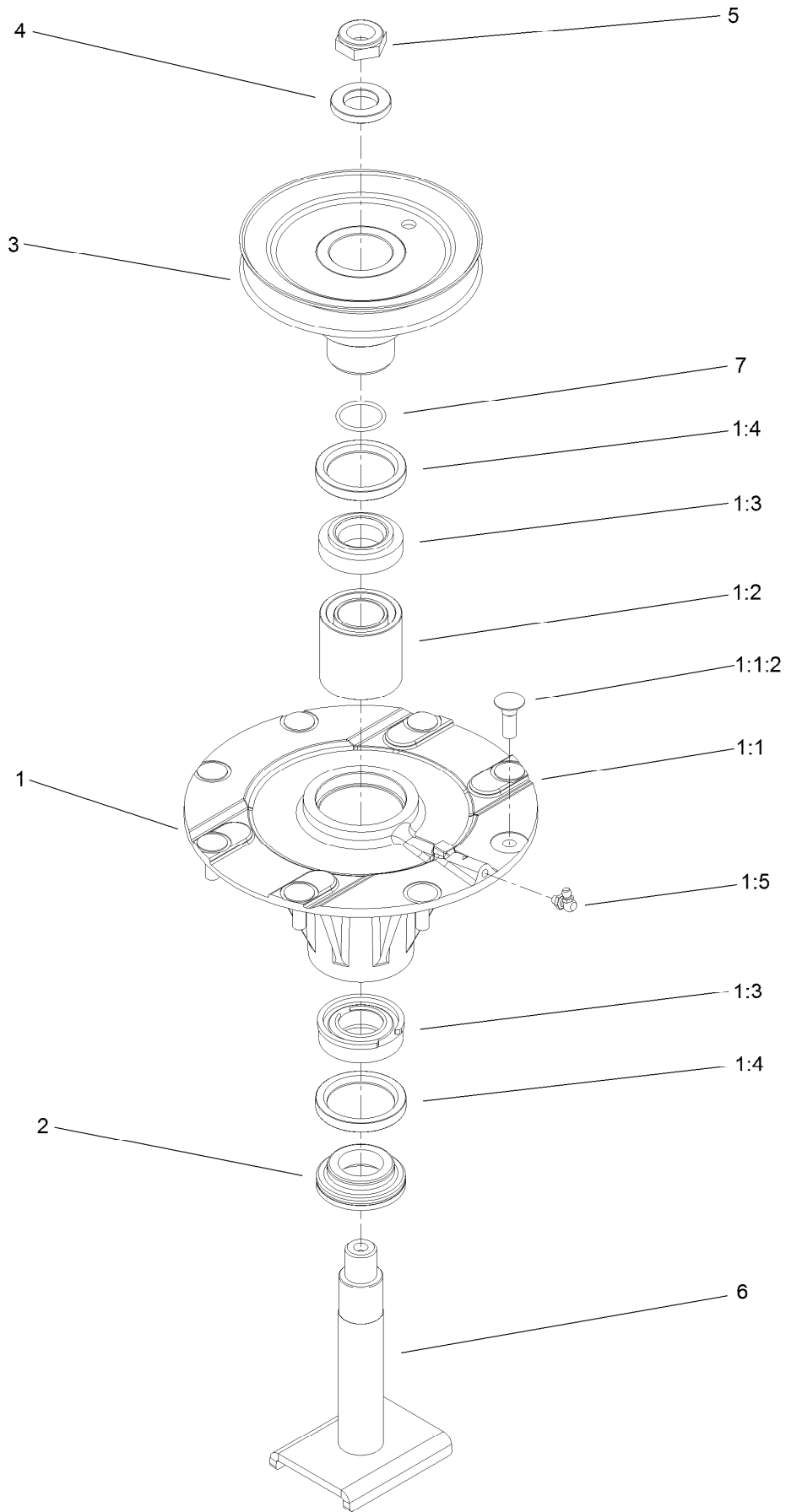


Double Spindle Assembly No. 137-3541 (continued)

<i>Ref.</i>	<i>Part Number</i>	<i>Qty.</i>	<i>Description</i>	<i>Ref.</i>	<i>Part Number</i>	<i>Qty.</i>	<i>Description</i>
1	119-4777	1	Spindle ASM	2	69-6950	1	Spacer-Shaft, Spindle
1:1		1	Spindle ASM ●	3	137-3622	1	Double Pulley ASM
1:1:2	114-8195	8	Bolt-Neck, Ribbed	4	120-5576	1	Washer-Hardened
1:2	108-1954	1	Bearing Spacer Set	5	3296-60	1	Nut-Lock, NI
1:3	110-8297	1	Bearing ASM	6	137-3545	1	Shaft-Spindle
1:4	253-154	2	Seal-Oil	7	106-7159	1	O-Ring
1:5	302-60	1	Fitting-Grease				

● Not serviced separately

High Spindle Assembly No. 137-3542

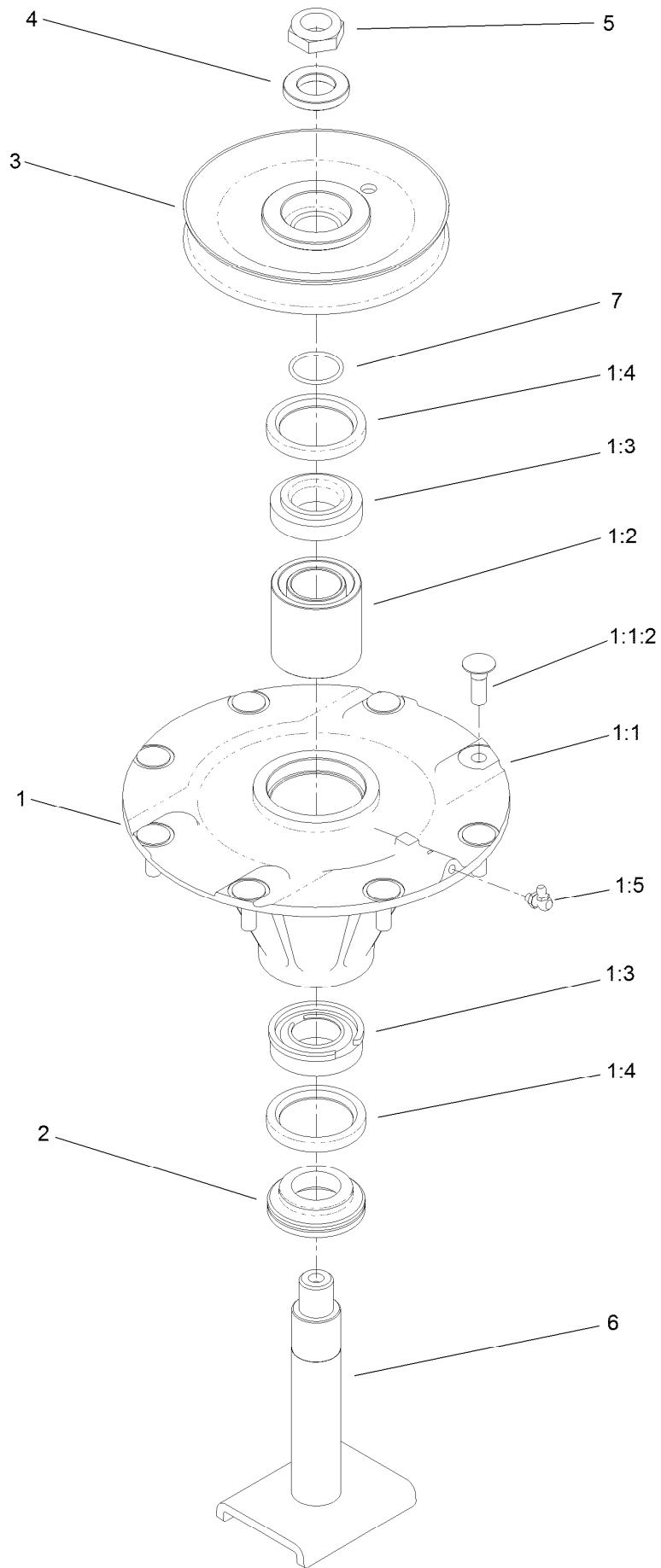


High Spindle Assembly No. 137-3542 (continued)

<i>Ref.</i>	<i>Part Number</i>	<i>Qty.</i>	<i>Description</i>	<i>Ref.</i>	<i>Part Number</i>	<i>Qty.</i>	<i>Description</i>
1	119-4777	1	Spindle ASM	2	69-6950	1	Spacer-Shaft, Spindle
1:1		1	Spindle ASM ●	3	137-3627	1	Single Pulley ASM
1:1:2	114-8195	8	Bolt-Neck, Ribbed	4	120-5576	1	Washer-Hardened
1:2	108-1954	1	Bearing Spacer Set	5	3296-60	1	Nut-Lock, NI
1:3	110-8297	1	Bearing ASM	6	137-3545	1	Shaft-Spindle
1:4	253-154	2	Seal-Oil	7	106-7159	1	O-Ring
1:5	302-60	1	Fitting-Grease				

● Not serviced separately

Low Spindle Assembly No. 137-3543

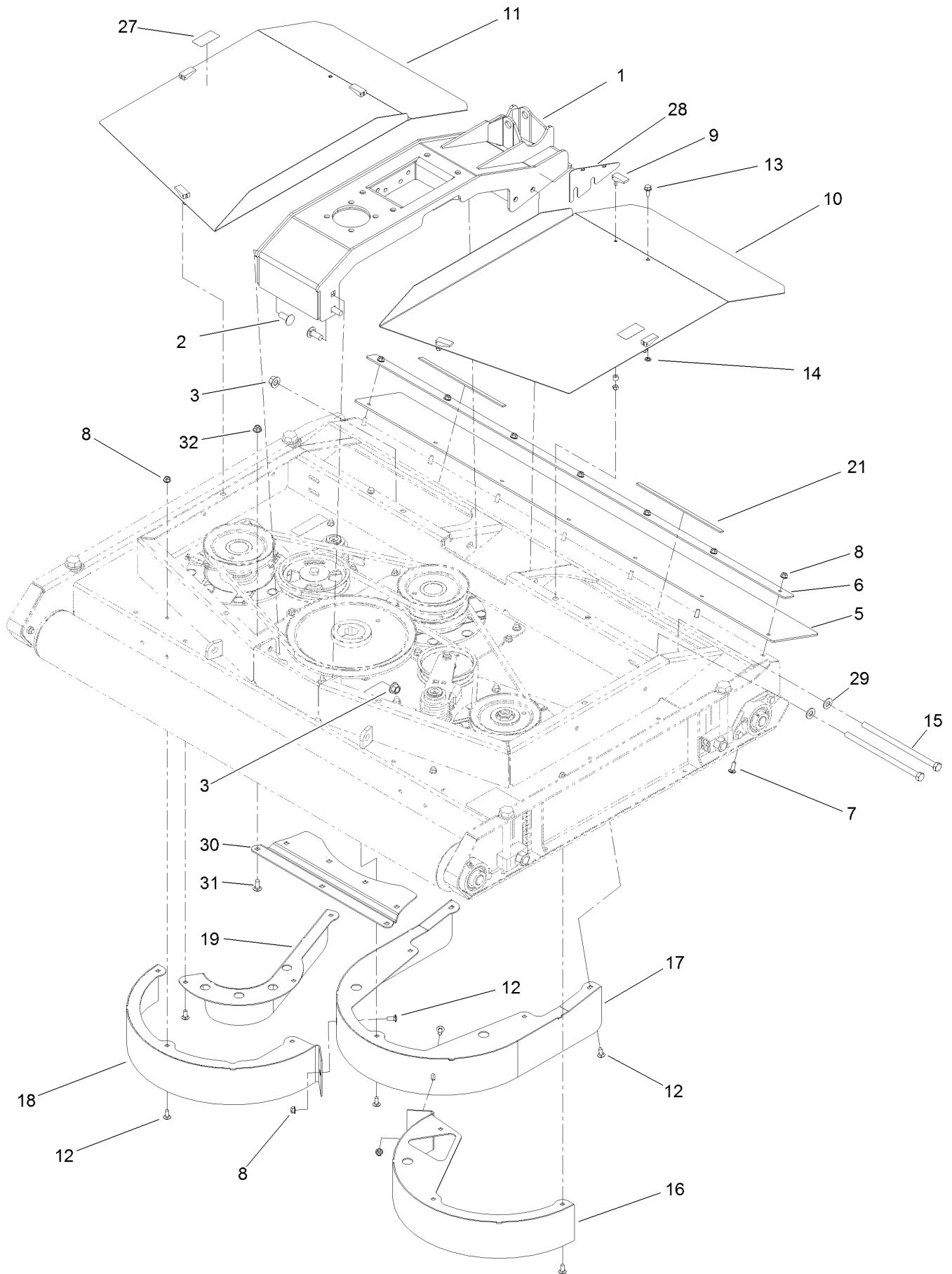


Low Spindle Assembly No. 137-3543 (continued)

<i>Ref.</i>	<i>Part Number</i>	<i>Qty.</i>	<i>Description</i>	<i>Ref.</i>	<i>Part Number</i>	<i>Qty.</i>	<i>Description</i>
1	119-4777	1	Spindle ASM	2	69-6950	1	Spacer-Shaft, Spindle
1:1		1	Spindle ASM ●	3	137-3629	1	Pulley-Driven, Low
1:1:2	114-8195	8	Bolt-Neck, Ribbed	4	120-5576	1	Washer-Hardened
1:2	108-1954	1	Bearing Spacer Set	5	3296-60	1	Nut-Lock, NI
1:3	110-8297	1	Bearing ASM	6	137-3545	1	Shaft-Spindle
1:4	253-154	2	Seal-Oil	7	106-7159	1	O-Ring
1:5	302-60	1	Fitting-Grease				

● Not serviced separately

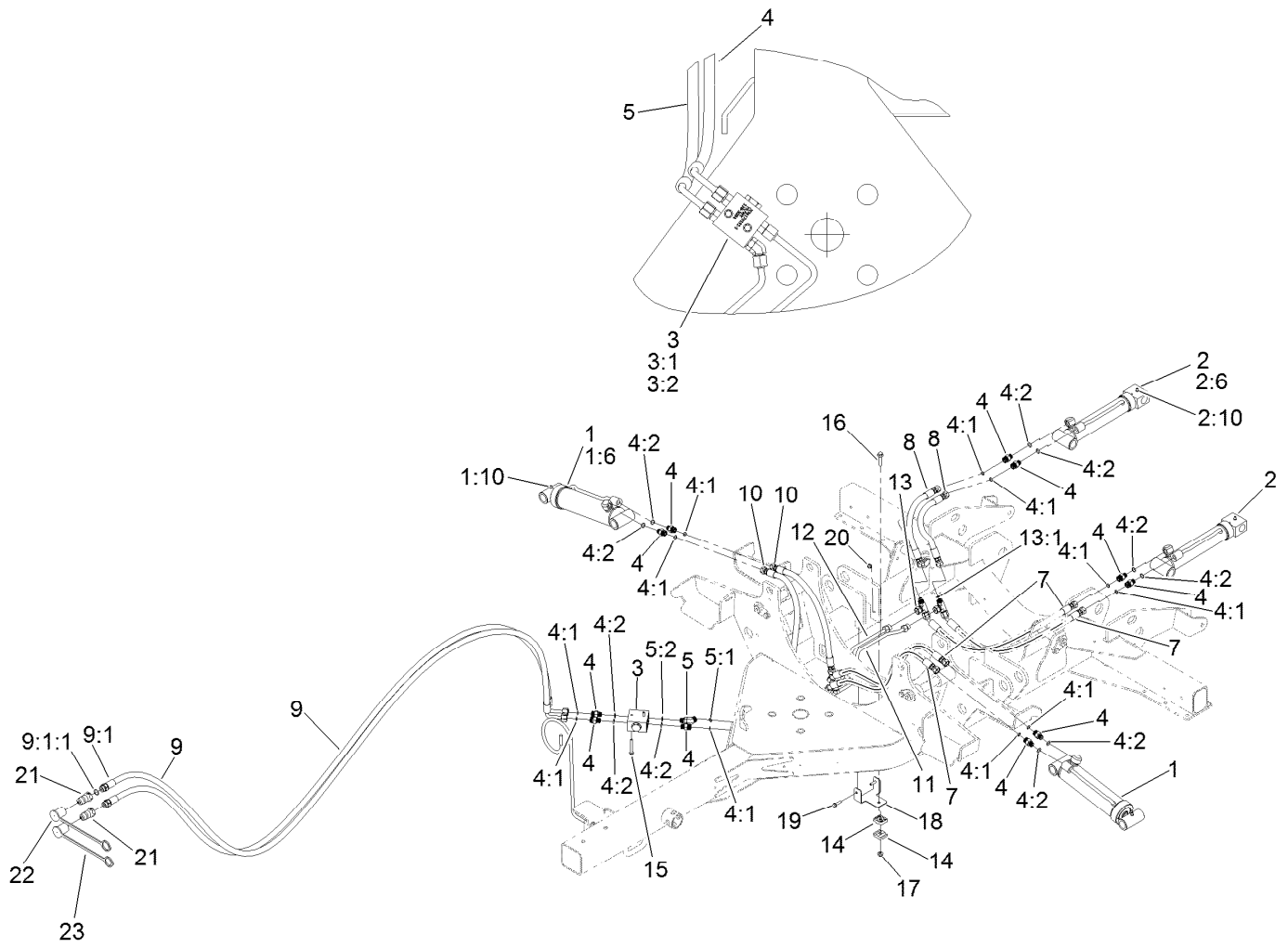
Deck Mount and Deck Cover Assembly



Deck Mount and Deck Cover Assembly (continued)

<i>Ref.</i>	<i>Part Number</i>	<i>Qty.</i>	<i>Description</i>	<i>Ref.</i>	<i>Part Number</i>	<i>Qty.</i>	<i>Description</i>
1	137-3556-03	1	Deck Mount ASM	15	325-39	2	Screw-HH
2	3233-26	4	Screw-CARR, Short Neck	16	137-3549-01	1	LH Chamber ASM
3	99-5107	6	Nut-Lock	17	137-3550-01	1	Center Chamber ASM
5	137-3646	1	Flap-Rear	18	137-3551-01	1	RH Chamber ASM
6	137-3647-01	1	Plate-Flap	19	137-3665-01	1	Baffle-Inner
7	3230-10	7	Bolt-CARR	21	115-8827	2	Foam-Strip
8	104-8300	23	Nut-HF, NI	27	119-6807	2	Decal-Warning
9	74-5950	6	Latch-Swell	28	138-9027-03	2	Shim-Mount, Deck
10	137-3519-03	1	Cover-Deck, LH	29	3256-26	2	Washer-Flat
11	137-3520-03	1	Cover-Deck, RH	30	139-3156-01	1	Stiffener-Deck
12	3230-23	16	Screw-CARR	31	3231-27	7	Screw-CARR
13	3234-47	2	Screw-HHF	32	104-8301	7	Nut-HF, NI
14	117-2749	2	Nut-Push				

Hydraulic Assembly



Hydraulic Assembly (continued)

<i>Ref.</i>	<i>Part Number</i>	<i>Qty.</i>	<i>Description</i>	<i>Ref.</i>	<i>Part Number</i>	<i>Qty.</i>	<i>Description</i>
1	137-3570	2	Cylinder ASM	9	138-5296	2	Hose ASM
1:6	137-3608	1	Kit-Seal	9:1		1	Fitting-Straight, Rgd ■
1:10	302-5	1	Fitting-Grease	9:1:1	237-79	1	O-Ring
2	137-3598	2	Cylinder ASM	10	138-5297	2	Hose ASM
2:6	137-3609	1	Kit-Seal	11	138-3064	1	Tube ASM
2:10	302-5	1	Fitting-Grease	12	138-3065	1	Tube ASM
3	138-3094	1	Manifold	13	340-166	2	Fitting-Tee
3:1		1	Manifold Block ■	13:1	237-22	2	O-Ring
3:2	110-8881	1	Valve-Check	14	56-7973	2	Clamp-Tube
3:2:1	105-9159	1	Seal Kit ●	15	3234-34	2	Screw-HHF
4	340-2	11	Fitting-Straight	16	115-1794	1	Screw-HHF
4:1	237-22	1	O-Ring	17	104-8300	1	Nut-HF, NI
4:2	237-42	1	O-Ring	18	138-3096-01	1	Bracket-Hardline
5	340-87	1	Fitting-Elbow, 45 DEG	19	120-4654	2	Screw-HHF
5:1	237-22	1	O-Ring	20	104-7201	2	Nut-HF
5:2	237-42	1	O-Ring	21	133-7828	2	Coupler-Connect, Quick
7	105-9817	4	Hose-HYD	22	138-3066	1	Cap-Dust, Red
8	99-3576	2	Hose-HYD	23	T56152152	1	Cap-Connect, Quick

● Not illustrated

■ Not serviced separately

Attachments and Accessories

For 31905 Groundsmaster 1200 Series Pull Behind Rotary Mower

Product Name	Model/Part
High Lift Blades MVP Kit.....	138-9028
Standard Lift MVP Kit	138-9029
SMV KIT	138-9030
Fender Kit	139-3174
Blade Cover Kit.....	139-3178
Safety Chain Kit.....	139-3179
Homologation Kit	31950

Notes:



Count on it.