



Count on it.

Parts Catalog

**53cm Heavy-Duty Recycler®/Rear
Bagger**

Lawn Mower

Model No. 22280—Serial No. 40000000 and Up



Ordering Replacement Parts

To order replacement parts, please supply the part number, the quantity, and the description of each part desired.

Understanding Reference Numbers

Each identified part in an illustration has a reference number. The reference number for a part also appears in the parts list, along with other information about the part.

This catalog uses two special reference number formats, one to indicate parts in a service assembly and another to indicate the quantity of a given part in an illustration.

Service Assembly Reference Numbers

Parts in service assemblies have reference numbers in the form a:b. The a represents the reference number of the entire service assembly and the b represents a sequential number unique to each part within the service assembly.

For example, a wheel assembly might be identified by reference number 6, the tire by 6:1, the valve by 6:2, and the wheel by 6:3. When you order the assembly identified by reference number 6, you receive all parts identified by reference numbers 6:1, 6:2, and 6:3. However, you may also order any part individually. Reference numbers of this type appear in illustration and in parts lists.

Reference Numbers Indicating Quantity

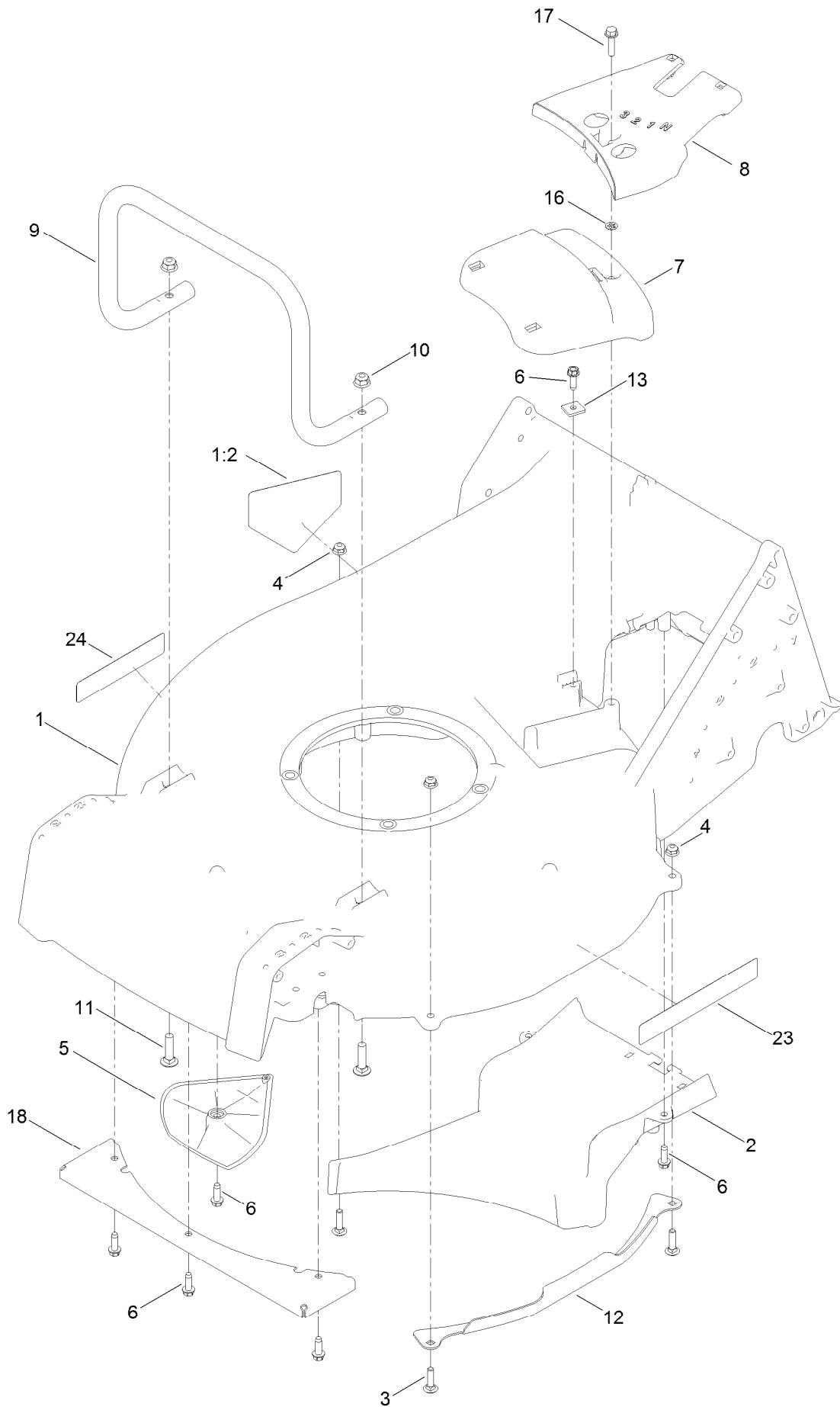
In an illustration, if a reference number indicates more than one part, the reference number has the form nX y. The n represents the quantity of the part, the X is the multiplication symbol, and the y represents the reference number.

For example, in an illustration, the reference number 2X 37 means that two of the parts identified by reference number 37 are indicated.

Contents

Frame Assembly.....	4
Grass Bag Assembly.....	6
Engine and Blade Assembly.....	8
Height-of-Cut and Wheel Assembly.....	10
Transmission and Rear Wheel Assembly.....	12
Transmission Assembly No. 131-5350.....	14
Handle Assembly.....	16
Attachments and Accessories.....	18

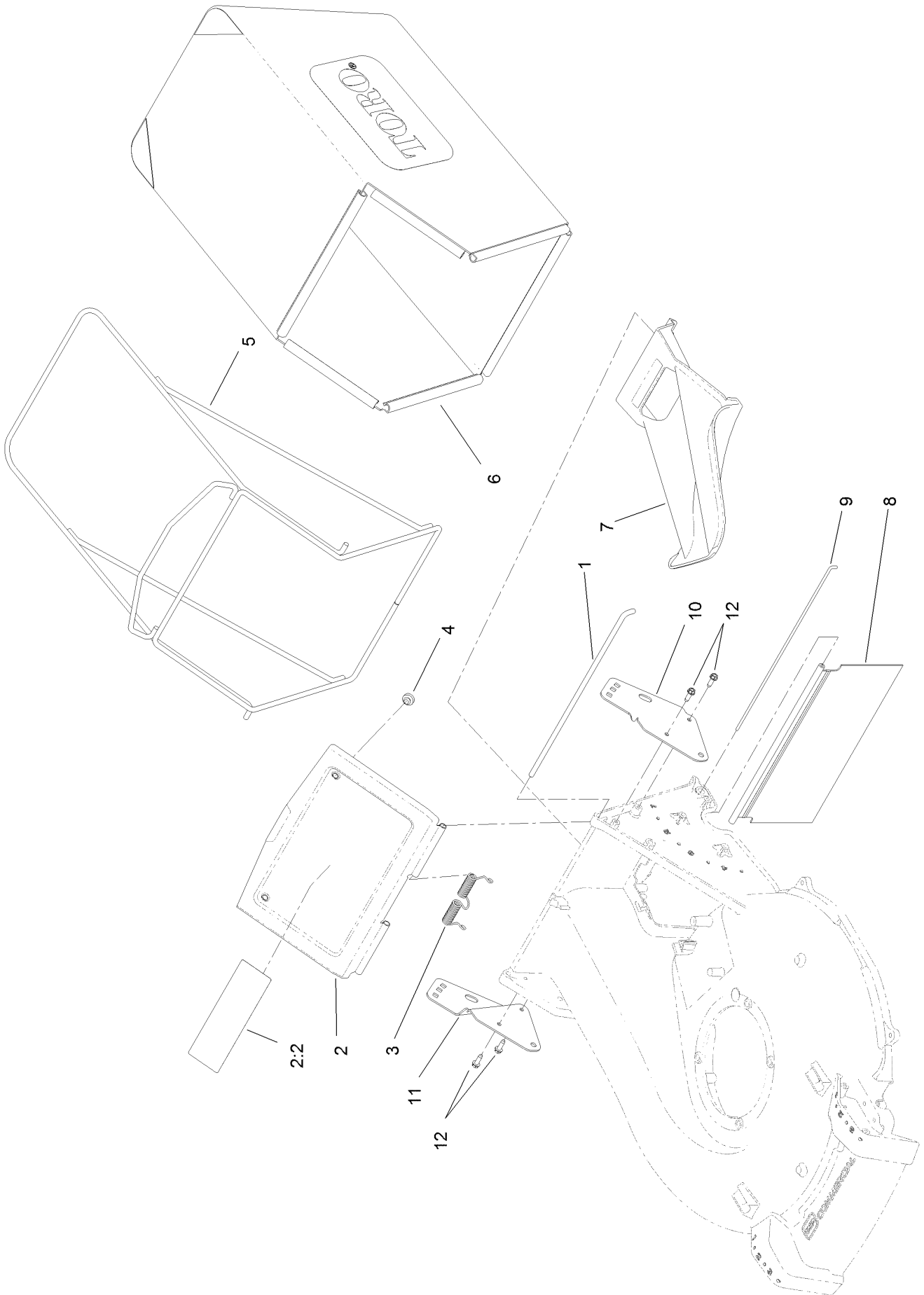
Frame Assembly



Frame Assembly (continued)

<i>Ref.</i>	<i>Part Number</i>	<i>Qty.</i>	<i>Description</i>	<i>Ref.</i>	<i>Part Number</i>	<i>Qty.</i>	<i>Description</i>
1	136-5897	1	Housing ASM	10	104-8300	2	Nut-HF, NI
1:2	112-8760	1	Decal-Danger	11	3230-3	2	Screw-CARR
2	125-1002-01	1	Floor-Chute	12	125-1047-03	2	Guard-Side, Deck
3	3229-2	4	Screw-CARR	13	125-8387	1	Clamp-Cable
4	104-7201	4	Nut-HF	16	106-8737	1	Nut-Retainer
5	125-5041	2	Kicker	17	32144-86	1	Screw-HWHTF
6	49-2040	8	Screw-HWHTF	18	125-8435-03	1	Guard-Toe, Front
7	125-5038	1	Cover-Belt, Front	23	119-2368	1	Decal-Recycler
8	125-5039	1	Cover-Belt, Rear	24	125-8420	1	Decal
9	125-1003-03	1	Guard-Engine				

Grass Bag Assembly



Grass Bag Assembly (continued)

<i>Ref.</i>	<i>Part Number</i>	<i>Qty.</i>	<i>Description</i>	<i>Ref.</i>	<i>Part Number</i>	<i>Qty.</i>	<i>Description</i>
1	125-1017	1	Rod-Door, Bag	7	125-1008	1	Plug-Mulch
2	125-8402	1	Bag Door ASM	8	125-1007	1	Shield-Trailing
2:2	116-7583	1	Decal-Warning	9	125-8413	1	Rod-Shield, Trailing
3	125-1019	1	Spring-Torsion	10	133-8193-03	1	Bracket-Mount, Handle (LH)
4	1-513658	2	Bumper	11	133-8194-03	1	Bracket-Mount, Handle (RH)
5	121-1399-03	1	Frame-Bag	12	32144-70	4	Screw-HWHTF
6	125-1030	1	Bag-Grass				

Engine and Blade Assembly (continued)

<i>Ref.</i>	<i>Part Number</i>	<i>Qty.</i>	<i>Description</i>	<i>Ref.</i>	<i>Part Number</i>	<i>Qty.</i>	<i>Description</i>
1		1	Engine-Kawasaki, Fj180V ●	26	32144-86	3	Screw-HWHTF
			■	27	108-3787	1	Disc
2	110-0520	1	Decal	28	130-6405-03	1	Spacer-Driver, Blade
3	125-1073	4	Screw-HWH	29	107-7487	1	Support-Blade
5	104-7201	3	Nut-HF	30	108-3762-03	1	Blade-Recycling
6	130-2377	2	Bushing-Flange	31	125-1069-03	1	Accelerator-Blade
7	130-2375	1	Plate-Anchor	32	127-6852	2	Nut-Flange, Lock
8	3231-25	1	Bolt-CARR	33	117-3510	1	Tank-Fuel
10	42-3560	1	Bolt-Shoulder	34	93-7198	1	Cap-Gas
11	125-8446	1	Plate-Guide, BBC	35	109-0297	1	Hose-Fuel
12	110-1790	1	Belt	36	125-8381-03	1	Bracket-Tank, Mounting
13	605256	1	Spacer	37	125-8382-03	1	Bracket-Tank, Support
14	108-3790	1	Retainer-Belt	38	46-8091	2	Screw-HWH
15	38-7820	3	Bearing-Ball	39	125-8383	3	Screw-HWH
16	107-0758	1	Spacer-Bearing	40	107-0588	1	Hose-Fuel
17	130-9699	1	Bolt-Shoulder	41	2412-98	4	Clamp-Hose
18	125-1063	1	Plate-Brake	42	1-603770	1	Valve-Fuel
19	125-5069	2	Nut-Hex	43	130-9654	1	Wire-Control
20	108-3792	1	Spring-Tension, Brake	44	3229-30	1	Screw-CARR
21	117-5970	1	Pulley	45	130-6440-03	1	Bracket-Mount, Throttle
22	3211-42	2	Screw-HH	46	130-9655	1	Control-Throttle
23	126-8108	1	Drum	47	130-9656	1	Decal-Throttle, Choke
24	108-9342	1	Nut-Hex	48	106-8737	3	Nut-Retainer
25	125-1006	1	Cover	49	125-8440	1	Cup-Anti Scalp

● Not serviced separately

■ Obtain parts from www.kawpower.com

Height-of-Cut and Wheel Assembly (continued)

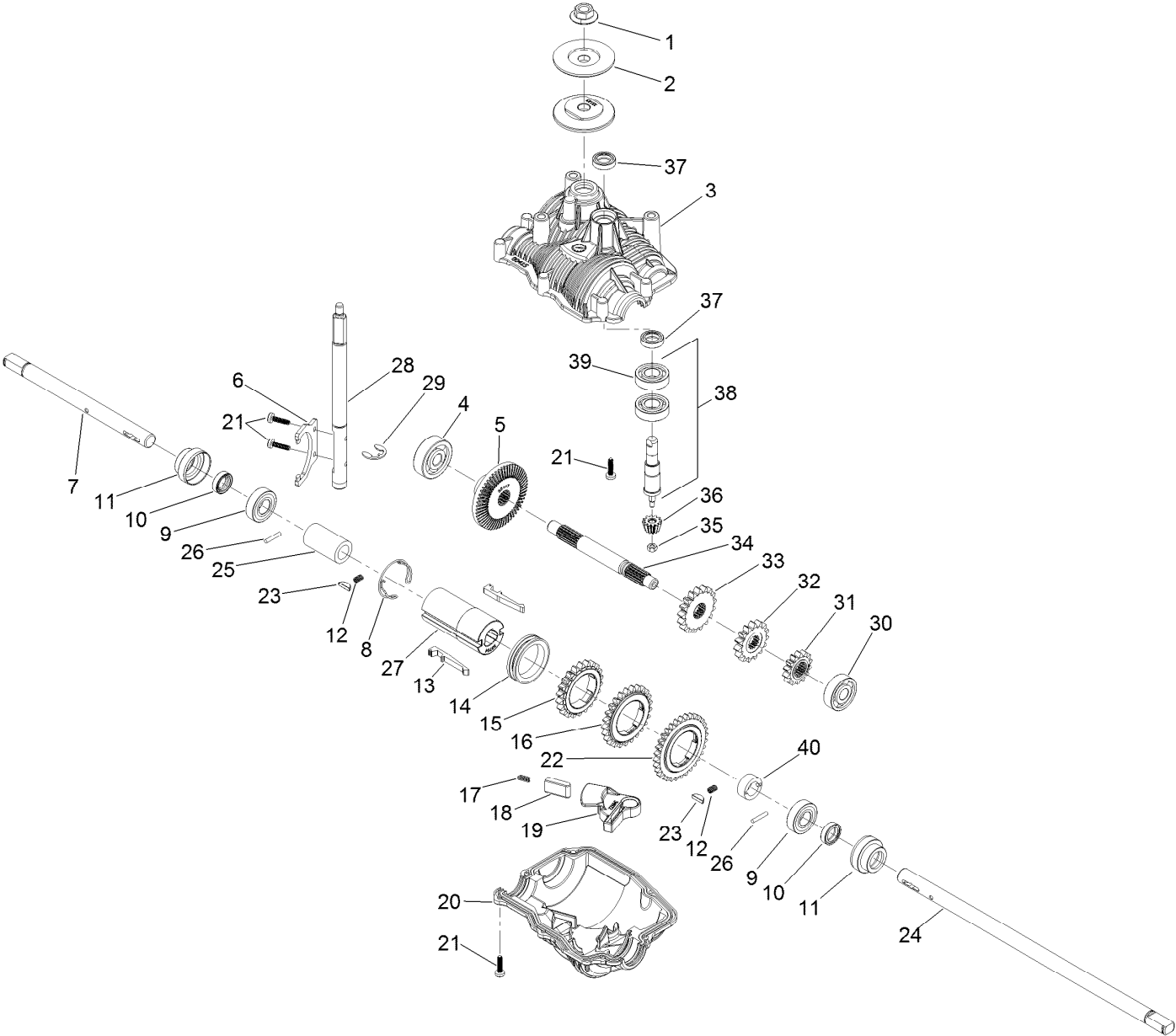
<i>Ref.</i>	<i>Part Number</i>	<i>Qty.</i>	<i>Description</i>	<i>Ref.</i>	<i>Part Number</i>	<i>Qty.</i>	<i>Description</i>
1	121-1439	2	Plate-HOC, Front	11	121-1431-03	2	Arm-Spring
2	49-2040	4	Screw-HWHTF	12	104-2065	2	Screw-HWH
3	136-5871	2	Bushing-Axle, Front (HOC)	13	130-6420	2	Arm-Pivot, Front
4	130-6434	2	Retainer-Bushing, Axle	14	99-5107	2	Nut-Lock
5	321-37	4	Screw-HH	15	323-13	2	Screw-HH
6	104-7201	4	Nut-HF	16	74-1671	2	Spacer-Cover, Wheel
7	133-2644	2	Axle-Front HOC	17	125-1080	2	Wheel
8	104-8301	2	Nut-HF, NI	17:3	133-2603	2	Bearing-Ball
9	125-1093	2	Knob-Lever, HOC	17:4	125-1077	1	Spacer
10	131-5377	2	Key-Arm, Spring	18	104-8300	2	Nut-HF, NI

Transmission and Rear Wheel Assembly (continued)

<i>Ref.</i>	<i>Part Number</i>	<i>Qty.</i>	<i>Description</i>	<i>Ref.</i>	<i>Part Number</i>	<i>Qty.</i>	<i>Description</i>
1	131-5350	1	Transmission	16	121-1448-03	2	Arm-Spring, Rear
2	125-5090-03	1	Guide-Belt	17	136-5894	2	Bearing Retainer ASM
3	125-5040	1	Lever-Shift	17:2	133-2606	2	Bearing-Ball, Custom
4	130-9681	1	Cover-Shaft, Transmission	18	133-2668	2	Screw-HH
5	125-1011	1	Belt-V	19	133-2635	2	Cover-Wheel
6	127-6848	2	Cover-Bearing	20	32151-61	4	Ring-Retaining
7	32151-10	2	Ring-Retaining	21	131-5399	2	Gear-Pinion, 15T
8	98-1452	2	Washer-Thrust	22	74-1671	2	Spacer-Cover, Wheel
9	130-6422	2	Plate-HOC, Rear	23	133-2640	2	9-Inch Wheel ASM
10	49-2040	9	Screw-HWHTF	23:1		1	Wheel ●
11	323-13	2	Screw-HH	23:1:2	133-2603	2	Bearing-Ball
12	133-2641	2	Arm-Pivot, Rear	23:1:3	125-1077	1	Spacer
13	131-5377	2	Key-Arm, Spring	24	104-8301	2	Nut-HF, NI
14	125-1093	2	Knob-Lever, HOC	25	104-7201	1	Nut-HF
15	104-2065	2	Screw-HWH				

● Not serviced separately

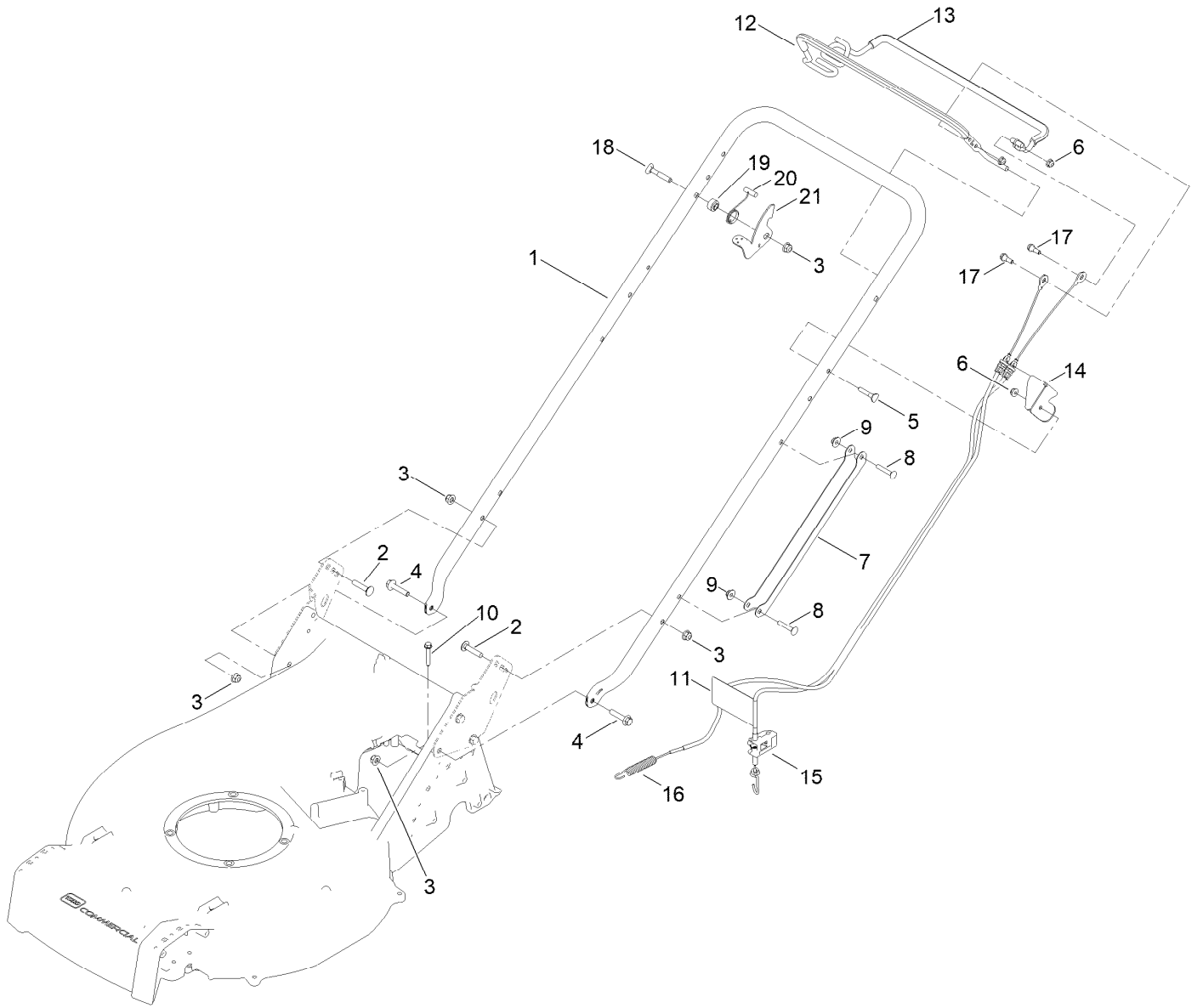
Transmission Assembly No. 131-5350



Transmission Assembly No. 131-5350 (continued)

<i>Ref.</i>	<i>Part Number</i>	<i>Qty.</i>	<i>Description</i>	<i>Ref.</i>	<i>Part Number</i>	<i>Qty.</i>	<i>Description</i>
1	130-2301	1	Nut-Flange	21	130-2302	10	Screw
2	130-2326	2	Flange-Pulley	22	130-2317	1	Gear-Output, 32 Tooth
3	130-2336	1	Case-Upper, Transmission	23	133-2614	2	Key
4	130-2318	1	Bearing-Ball	24	133-2612	1	Shaft-Output, Long
5	130-2311	1	Gear-Bevel, 53 Tooth	25	133-2617	1	Spacer-Long
6	130-2327	1	Fork-Shift	26	133-2616	2	Pin
7	133-2611	1	Shaft-Output, Short	27	133-2613	1	Hub-Gear, Output
8	130-2322	1	Spring-Retaining	28	130-2306	1	Shaft-Shift
9	130-9708	2	Bearing-Ball	29	130-2304	1	Ring-Retaining
10	130-2325	2	Seal	30	130-2319	1	Bearing-Ball
11	130-2333	2	Bushing-Shaft, Output	31	130-2314	1	Gear-Intermediate, 14 Tooth
12	133-2615	2	Spring	32	130-2313	1	Gear-Intermediate, 15 Tooth
13	130-2328	2	Key-Shift	33	130-2312	1	Gear-Intermediate, 17 Tooth
14	130-2329	1	Ring-Shift	34	130-2307	1	Shaft-Intermediate
15	130-2315	1	Gear-Output, 22 Tooth	35	130-2303	1	Nut-Shaft, Input
16	130-2316	1	Gear-Output, 25 Tooth	36	130-2310	1	Gear-Bevel, 12 Tooth
17	130-2321	1	Spring-Indexing, Shifter	37	130-2324	2	Seal
18	130-2332	1	Pin-Indexing, Shifter	38	130-2300	1	Shaft-Input
19	130-2331	1	Lever-Indexing, Shifter	39	130-9708	2	Bearing-Ball
20	130-2337	1	Case-Lower, Transmission	40	133-2618	1	Spacer-Short

Handle Assembly



Handle Assembly (continued)

<i>Ref.</i>	<i>Part Number</i>	<i>Qty.</i>	<i>Description</i>	<i>Ref.</i>	<i>Part Number</i>	<i>Qty.</i>	<i>Description</i>
1	137-4817-03	1	Handle	12	137-4810	1	Bail-BBC, Coated
2	3230-4	2	Bolt-CARR	13	139-1815	1	Bail-Traction, Coated
3	104-8300	5	Nut-HF, NI	14	137-4766-03	1	Bracket-Cable
4	115-1794	2	Screw-HHF	15	137-4768	1	Cable-Traction
5	117-7737	1	Screw-Handle	16	137-4769	1	Cable-BBC
6	104-7201	3	Nut-HF	17	42-3560	2	Bolt-Shoulder
7	127-6897-03	1	Guard-Cable, Handle	18	112-8876	1	Screw-Handle
8	108-0988	2	Screw-CARR	19	116-2690	1	Bushing-Stepped
9	114-3778	2	Nut-HF	20	109-9318	1	Spring-Lever, BBC
10	94-2691	1	Screw-HWH	21	116-2998	1	Lever-BBC
11	130-6722	1	Decal				

Attachments and Accessories

For 22280 53cm Heavy-Duty Recycler/Rear Bagger Lawn Mower

Product Name

Model/Part

Rear Discharge Kit..... 130-9734

Notes:



Count on it.