



**Count on it.**

**Parts Catalog**

**Z Master® Professional 7500-D  
Series Riding Mower**

**With 60in TURBO FORCE® Rear Discharge  
Mower**

**Model No. 72065—Serial No. 40000000 and Up**



# Ordering Replacement Parts

To order replacement parts, please supply the part number, the quantity, and the description of each part desired.

## Understanding Reference Numbers

Each identified part in an illustration has a reference number. The reference number for a part also appears in the parts list, along with other information about the part.

This catalog uses two special reference number formats, one to indicate parts in a service assembly and another to indicate the quantity of a given part in an illustration.

## Service Assembly Reference Numbers

Parts in service assemblies have reference numbers in the form a:b. The a represents the reference number of the entire service assembly and the b represents a sequential number unique to each part within the service assembly.

For example, a wheel assembly might be identified by reference number 6, the tire by 6:1, the valve by 6:2, and the wheel by 6:3. When you order the assembly identified by reference number 6, you receive all parts identified by reference numbers 6:1, 6:2, and 6:3. However, you may also order any part individually. Reference numbers of this type appear in illustration and in parts lists.

## Reference Numbers Indicating Quantity

In an illustration, if a reference number indicates more than one part, the reference number has the form nX y. The n represents the quantity of the part, the X is the multiplication symbol, and the y represents the reference number.

For example, in an illustration, the reference number 2X 37 means that two of the parts identified by reference number 37 are indicated.

# Contents

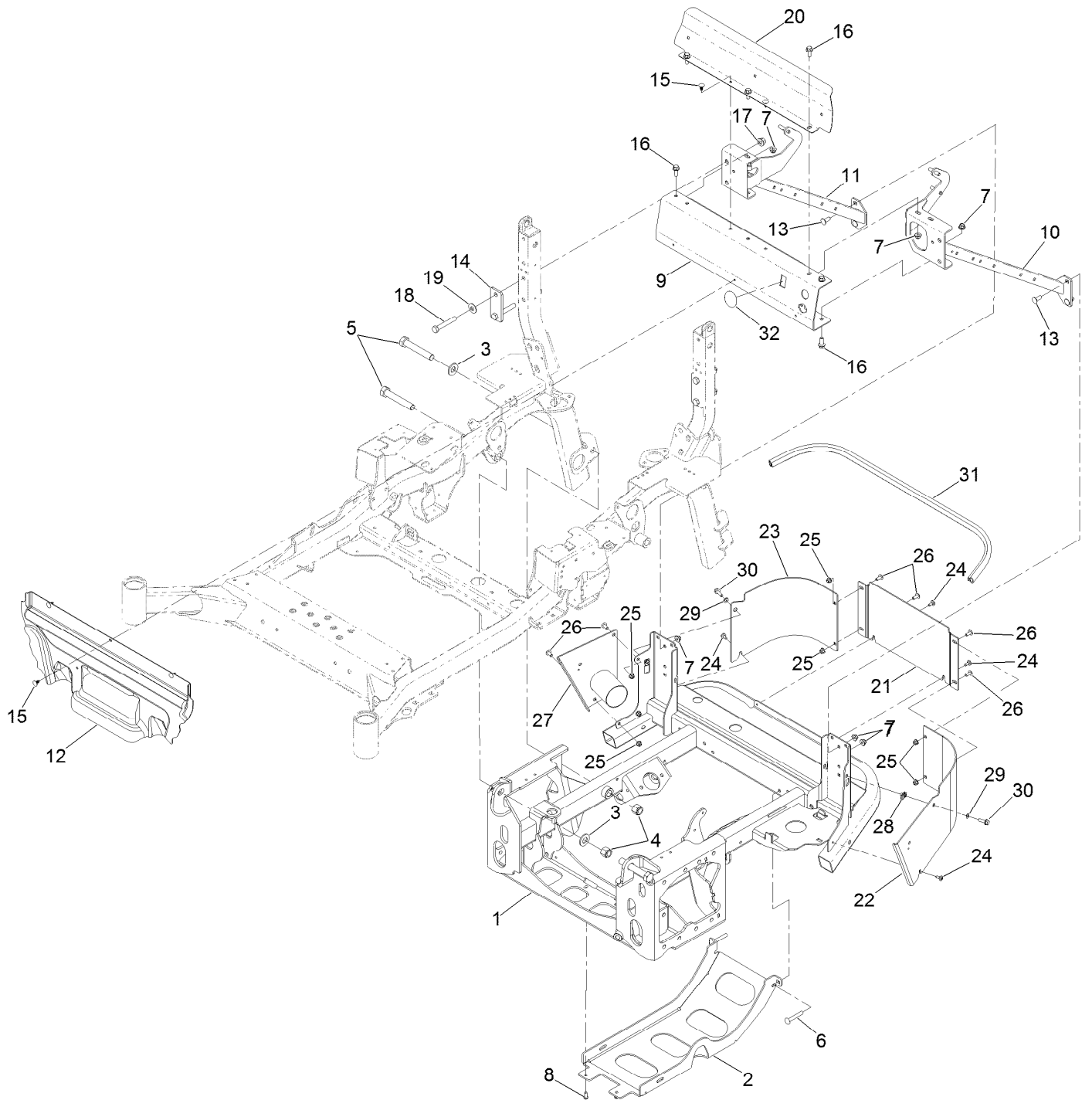
Power Frame Assembly .....	6
Frame and Roll-Over Protection System Assembly .....	8
Roll-Over Protection System Assembly No. 135-5927 .....	10
Caster Wheel Assembly .....	12
Transmission Assembly .....	14
Charge Pump Housing Assembly Transmission Assembly No. 131-5510 .....	16
Transmission Assembly (cont.) Center Section Assembly .....	18
Transmission Assembly (cont.) Gear Case and Clutch Assembly .....	20
Hydraulic Gear Pump Assembly No. 112-9542 .....	22
Rear Wheel Assembly .....	24
Parking Brake Assembly .....	26
Fuel System Assembly .....	28
RH Fuel Tank Assembly No. 126-8651 .....	30
LH Fuel Tank Assembly 126-8652 .....	32
Seat Mount Assembly .....	34
Seat Assembly No. 140-8003 .....	36
Motion Control Assembly .....	38
Hood and Cover Assembly .....	40
Hood Assembly No. 135-7930 .....	42
Electrical Assembly .....	44
Wire Harness Assembly No. 126-7352 .....	46
Deck Lif Assembly .....	48
Engine Assembly .....	50
HDAC Assembly No. 142-3554 .....	52
Hydraulic Assembly .....	54
Hydraulic Reservoir Assembly No. 142-5034 .....	56
Valve Assembly No. 131-1934 .....	58
Cooling Assembly .....	60
Cooling Assembly No. 121-3330 .....	62
Deck and Driveshaft Assembly .....	64
Driveshaft Assembly No. 110-3575 .....	66
Deck Assembly .....	68
Discharge Tunnel Assembly No. 126-3317 .....	70
Deck Decal Assembly No. 140-0965 .....	72
Gear Box and Mount Assembly .....	74
Idler Mount Assembly No. 126-3271 .....	76
Spindle Assembly No. 137-9780 .....	78
Cylinder Block Assembly .....	80
Gear Housing Assembly .....	82
Flywheel Housing and Oil Sump Assembly .....	84
Cylinder Head and Cover Assembly .....	86
Suction Manifold Assembly .....	88
Exhaust Manifold Assembly .....	90
Diesel Particulate Filter Assembly .....	92
Camshaft and Driving Gear Assembly .....	94
Crankshaft and Piston Assembly .....	96
Oil Pump Assembly .....	98
Cooling Water System Assembly .....	100
Fuel Supply Pump Assembly .....	102
Fuel Injection Valve Assembly .....	104
Fuel Line Assembly .....	106
Starting Motor Assembly .....	108
Generator Assembly .....	110
Electronic Control Unit Assembly .....	112

# Contents (continued)

Electric Parts Assembly..... 114  
Fuel Pump Assembly..... 116  
Gasket Set..... 118  
Attachments and Accessories..... 120



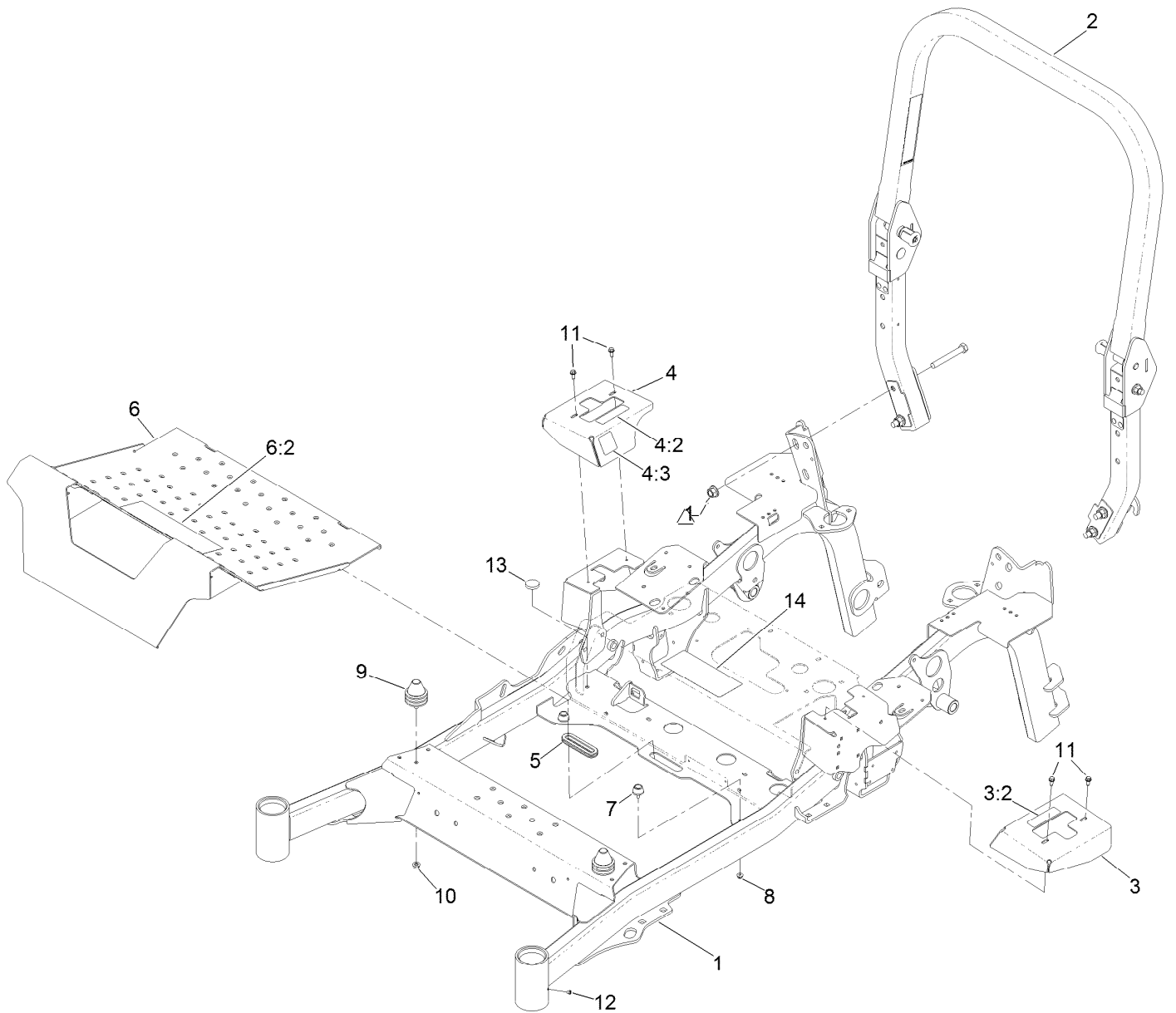
# Power Frame Assembly



## Power Frame Assembly (continued)

<i>Ref.</i>	<i>Part Number</i>	<i>Qty.</i>	<i>Description</i>	<i>Ref.</i>	<i>Part Number</i>	<i>Qty.</i>	<i>Description</i>
1	126-5929-03	1	Frame-Power	17	99-5107	4	Nut-Lock
2	126-5922-03	1	Plate-Skid	18	112-7264	4	Screw-HH
3	103-2802	4	Washer	19	109-9505	4	Washer-Spring
4	3296-51	4	Nut-Lock, NI	20	126-6557-03	1	Shield-Air
5	328-8	4	Screw-HH	21	126-8954-03	1	Plate-Bumper, Center
6	3231-44	2	Screw-CARR	22	126-8952-03	1	Plate-Bumper, LH
7	104-8301	13	Nut-HF, NI	23	126-8953-03	1	Plate-Bumper, RH
8	613381	2	Screw-BHTF	24	120-7950	4	Screw-Torx
9	126-8567-03	1	Channel-Cross	25	104-8300	7	Nut-HF, NI
10	126-8563-03	1	Brace-ROPS, LH	26	126-6268	7	Screw-Torx
11	126-8565-03	1	Brace-ROPS, RH	27	135-0880	1	Plate-Exhaust
12	126-7458	1	Panel-Deflector, Heat	28	112-3306	2	Nut
13	3231-22	4	Screw-CARR	29	3290-475	2	Washer-Belleville
14	135-0412-03	2	Plate-Spacer	30	3234-29	2	Screw-HHF
15	117-2382	5	Plug-Plastic	31	126-6845	1	Seal-Bulb
16	131-2220	7	Screw-HHF	32	135-3728	1	Decal-Cover

# Frame and Roll-Over Protection System Assembly

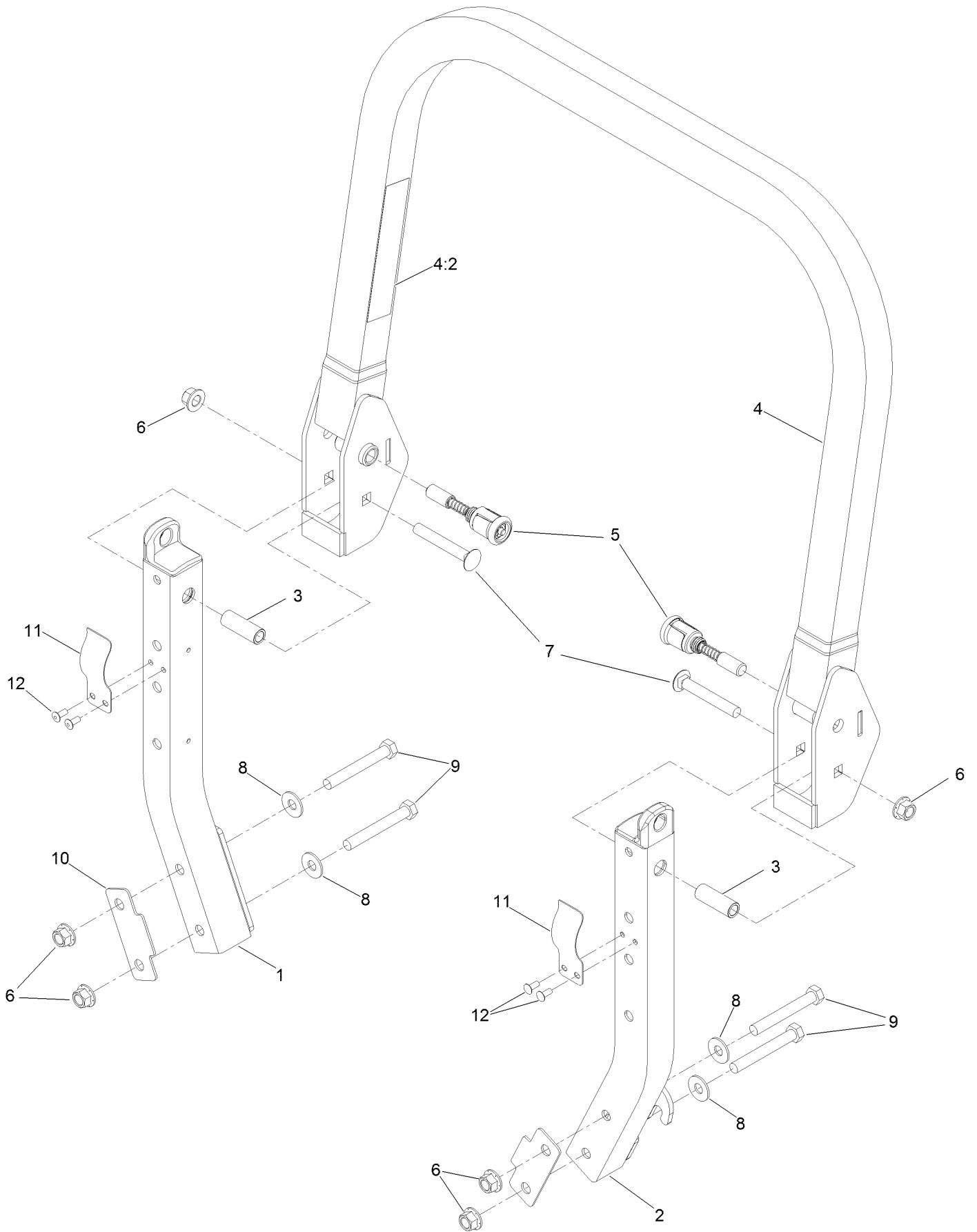




# Frame and Roll-Over Protection System Assembly (continued)

<i>Ref.</i>	<i>Part Number</i>	<i>Qty.</i>	<i>Description</i>	<i>Ref.</i>	<i>Part Number</i>	<i>Qty.</i>	<i>Description</i>
1	126-2007-01	1	Frame	6:2	126-8383	1	Decal-Danger
2	135-5927	1	ASM, ROPS-7500D Diesel	7	109-2365	2	Bumper-Rubber
3	126-1821	1	Cover-Motion Control, LH	8	104-7201	2	Nut-HF
3:2	99-8936	1	Decal-Control, Motion	9	126-5491	2	Isolator
4	126-1831	1	Cover-Motion Control, RH	10	104-8300	2	Nut-HF, NI
4:2	99-8936	1	Decal-Control, Motion	11	32144-10	4	Screw-HWH
4:3	116-5988	1	Decal-Park Brake, CE	12	1-811010	2	Plug
5	126-7065	1	Grommet-Rubber	13	109-9233	1	Bumper-Push-In, Rubber
6	126-9066	1	Pan-Floor	14	126-9279	1	Decal-Service Aid

# Roll-Over Protection System Assembly No. 135-5927

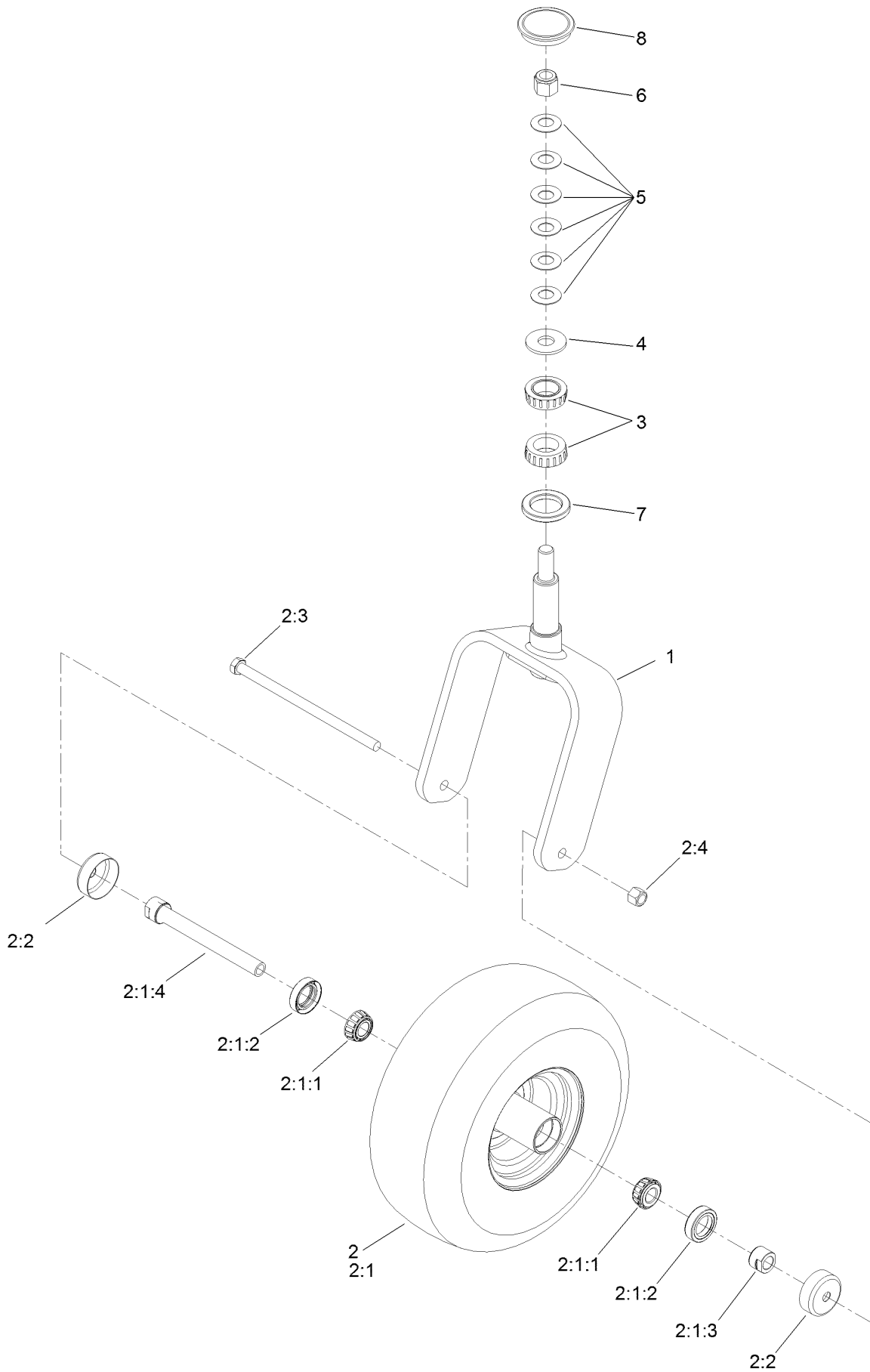


# Roll-Over Protection System Assembly No. 135-5927 (continued)

<i>Ref.</i>	<i>Part Number</i>	<i>Qty.</i>	<i>Description</i>	<i>Ref.</i>	<i>Part Number</i>	<i>Qty.</i>	<i>Description</i>
1		1	Lower-ROPS, RH ●	7	3233-10	2	Screw-CARR
2		1	Lower-ROPS, LH ●	8	109-9505	4	Washer-Spring
3	109-6653	2	Spacer	9	325-35	4	Screw-HH
4	126-7085	1	ROPS Upper ASM	10	116-0960	2	Spacer
4:2	107-3069	1	Decal-Warning	11	110-5696	2	Spring-Leaf
5	116-0104	2	Pin-Spring	12	3290-412	4	Rivet-Blind
6	99-5107	6	Nut-Lock				

● Not serviced separately

# Caster Wheel Assembly

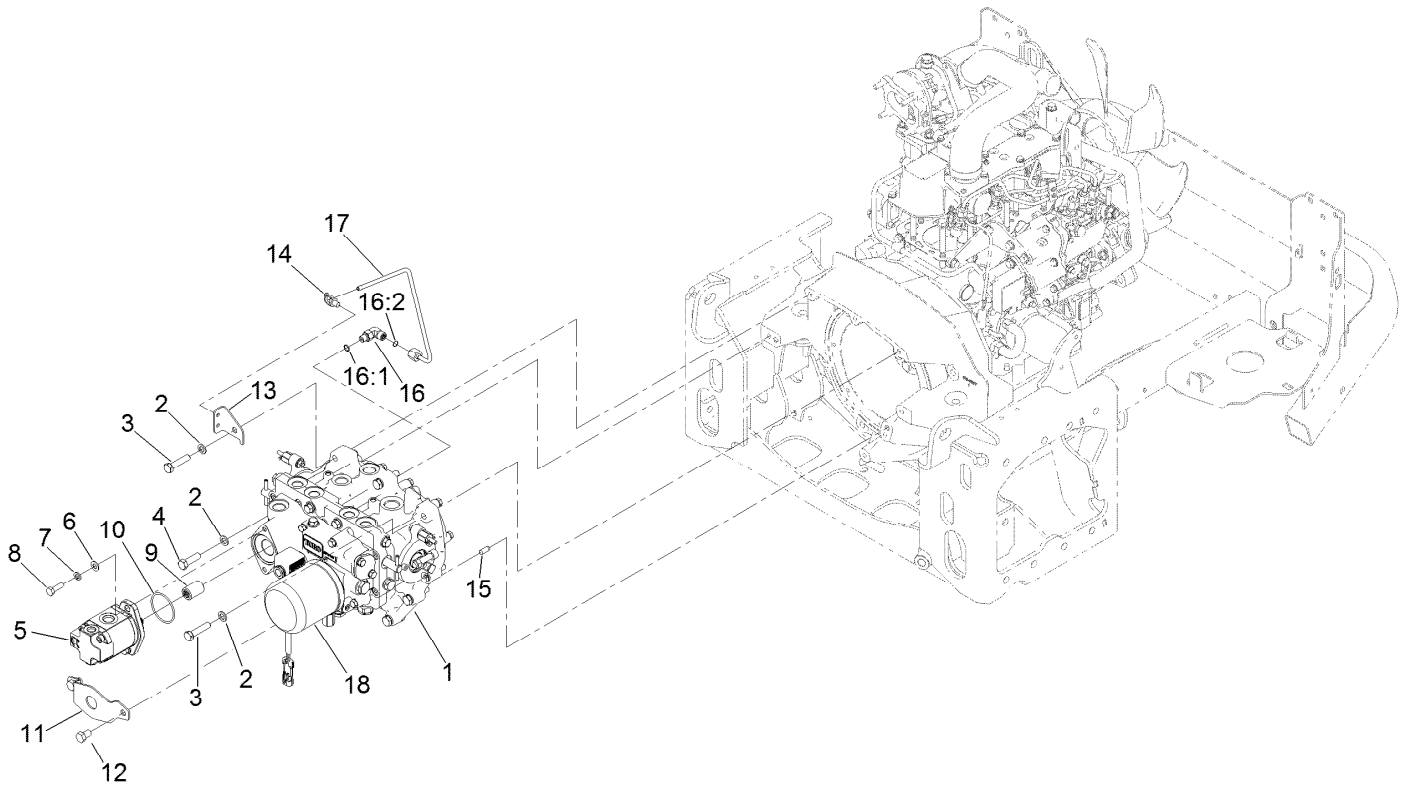


## Caster Wheel Assembly (continued)

<i>Ref.</i>	<i>Part Number</i>	<i>Qty.</i>	<i>Description</i>	<i>Ref.</i>	<i>Part Number</i>	<i>Qty.</i>	<i>Description</i>
1	126-8601-01	1	Fork-Caster	2:3	325-39	1	Screw-HH
2	126-9344	1	Wheel And Tire ASM	2:4	3296-23	1	Nut-Lock, NI
2:1		1	Tire And Wheel ASM ●	3	103-9028	2	Bearing-Roller, Cone Taper
2:1:1	1-633585	2	Bearing-Cone, Taper	4	3256-8	1	Washer-Flat
2:1:2	103-0063	2	Seal-Caster	5	1-633508	6	Washer-Bellville
2:1:3	103-3051	1	Spacer-Nut	6	3296-51	1	Nut-Lock, NI
2:1:4	126-5361	1	Axle Caster ASM	7	135-0355	1	Seal-Grease
2:2	103-2768	2	Guard-Seal	8	126-9369	1	Cap-Grease

● Not serviced separately

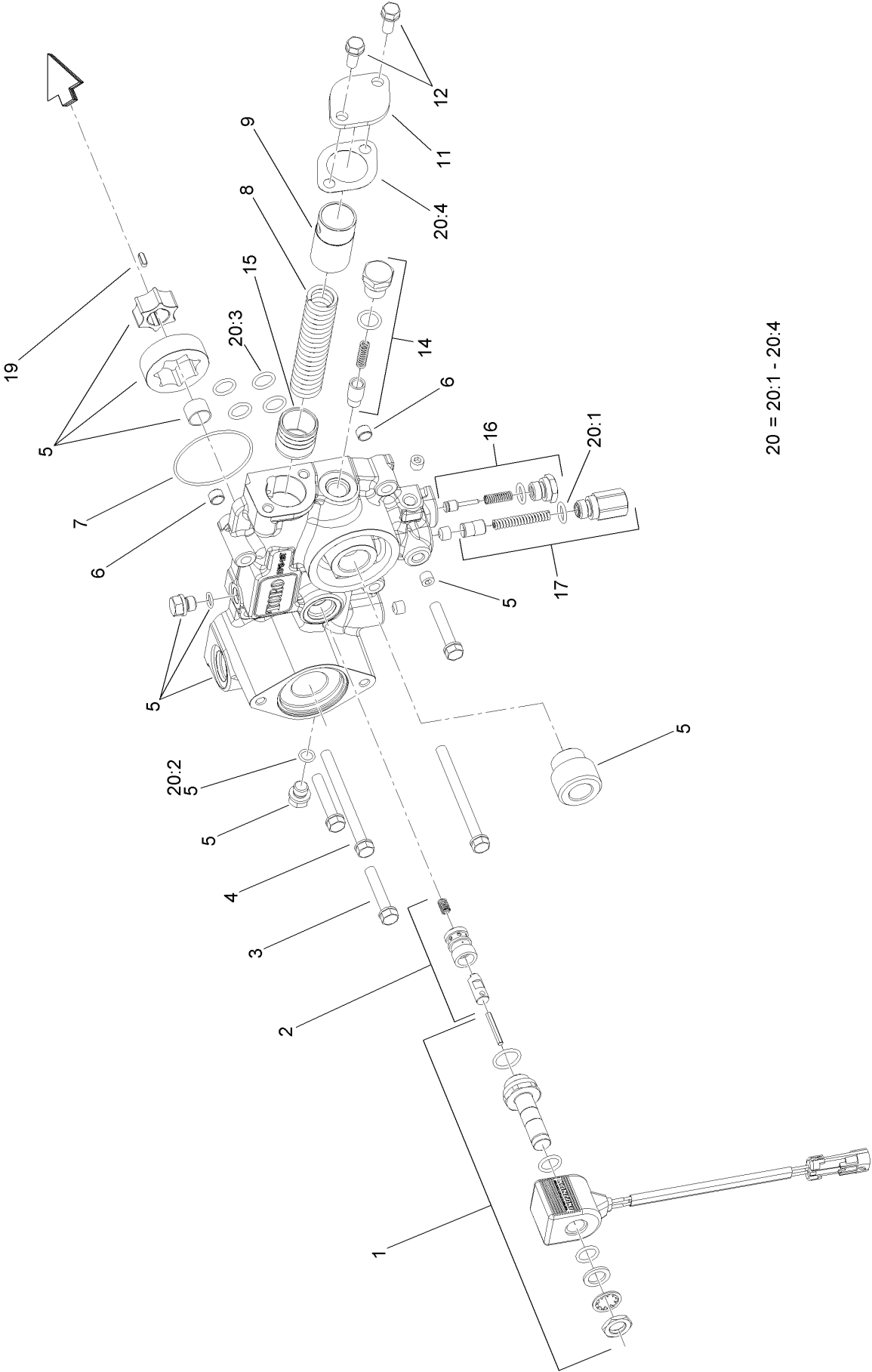
# Transmission Assembly



## Transmission Assembly (continued)

<i>Ref.</i>	<i>Part Number</i>	<i>Qty.</i>	<i>Description</i>	<i>Ref.</i>	<i>Part Number</i>	<i>Qty.</i>	<i>Description</i>
1	131-5510	1	Transmisson ASM	11	114-4088	1	Shield-Seal
2	48-9590	7	Washer-Lock	12	33115-016	2	Screw-HH
3	33115-045	6	Screw-HH	13	126-6806	1	Support-Tube
4	33115-035	1	Screw-HH	14	32180-030	1	Clip-Tie
5	112-9542	1	HYD Gear Pump ASM	15	87-1910	2	Pin-Dowel
6	3256-23	2	Washer-Plain	16	340-132	1	Fitting-Elbow, 90 DEG
7	3253-4	2	Washer-Lock	16:1	237-78	1	O-Ring
8	33114-025	2	Screw-HH	16:2	237-21	1	O-Ring
9	108-9920	1	Coupler-Spline	17	126-8689	1	Tube ASM
10	108-9919	1	O-Ring	18	108-5194	1	Filter-Oil, HYD

# Charge Pump Housing Assembly Transmission Assembly No. 131-5510



20 = 20:1 - 20:4

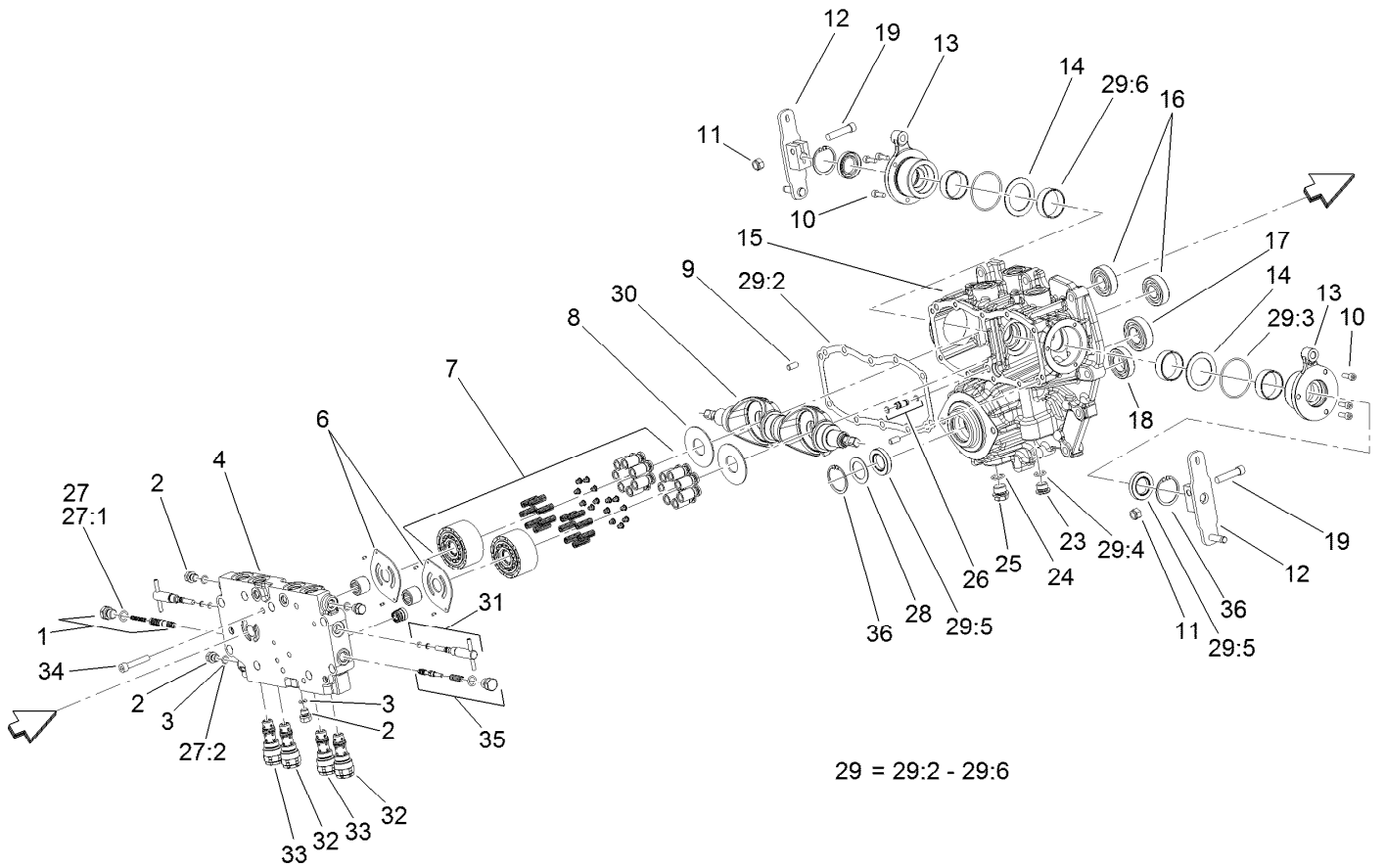


# Charge Pump Housing Assembly Transmission Assembly No. 131-5510 (continued)

<i>Ref.</i>	<i>Part Number</i>	<i>Qty.</i>	<i>Description</i>	<i>Ref.</i>	<i>Part Number</i>	<i>Qty.</i>	<i>Description</i>
1	107-0851	1	Solenoid ASM	14	107-0843	1	Filter Bypass Valve ASM
2	107-0850	1	Solenoid Valve ASM	15	107-0818	1	Piston
3	107-0863	3	Bolt	16	107-0842	1	Charge Relief Valve ASM
4	107-0864	2	Bolt	17	107-0841	1	Pressure Valve ASM
5	107-0840	1	Pump Body ASM	19	107-0865	1	Key
6	107-0848	2	Pin	20	107-0855	1	Charge Pump Seal Kit
7	107-0856	1	O-Ring	20:1	93-0418	2	O-Ring
8	107-0845	1	Spring	20:2	107-0817	2	O Ring-Plug
9	107-0844	1	Collar	20:3	104-3298	6	Packing
11	107-0846	1	Cover	20:4	107-0847	1	Gasket
12	93-0457	2	Bolt And Washer ASM				

# Transmission Assembly (cont.)

## Center Section Assembly

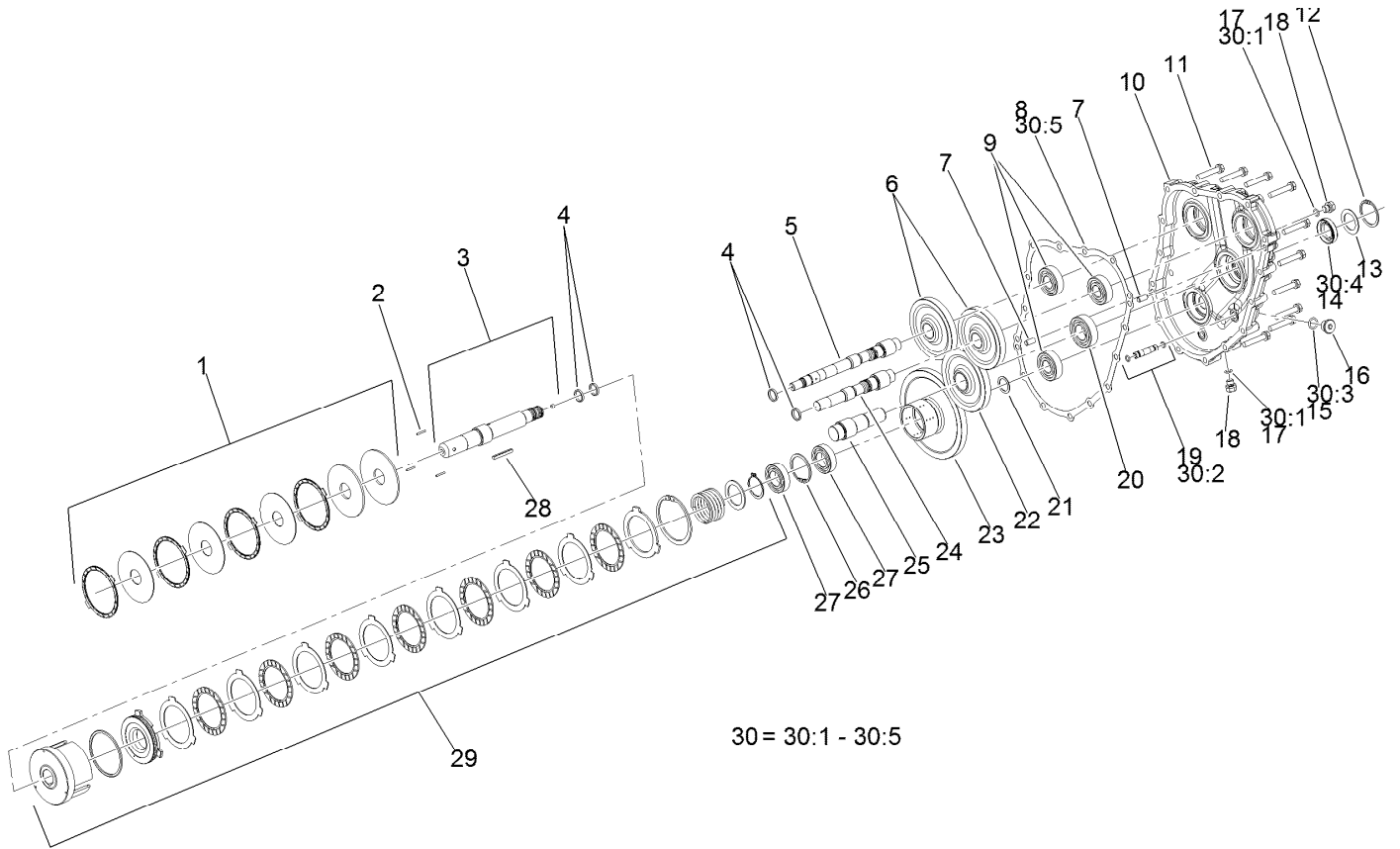


29 = 29:2 - 29:6

## Transmission Assembly (cont.) Center Section Assembly (continued)

<i>Ref.</i>	<i>Part Number</i>	<i>Qty.</i>	<i>Description</i>	<i>Ref.</i>	<i>Part Number</i>	<i>Qty.</i>	<i>Description</i>
1	107-0807	1	Valve-Flushing, RH	25	107-0867	1	Plug
2	107-0857	6	Plug	26	107-0812	1	Pipe
3	107-0817	6	O Ring-Plug	27	107-0852	1	Center Case Seal Kit
4	121-3377	1	Center Case, Complete	27:1	93-0418	2	O-Ring
6	107-0805	2	Plate-Valve	27:2	107-0817	6	O Ring-Plug
7	107-0824	2	Cylinder Block ASM	28	107-0813	1	Spacer
8	107-0830	2	Plate-Thrust	29	107-0853	1	Pump Housing Seal Kit
9	92-0765	4	Pin-Parallel	29:2	107-0810	1	Gasket-Case, Center
10	107-0859	6	Bolt	29:3	107-0817	2	O Ring-Plug
11	120-6681	2	U-Nut	29:4	104-3298	1	Packing
12	120-6680	2	Arm-Control	29:5	107-0814	3	Seal
13	107-0832	2	Side Cover ASM	29:6	107-0825	4	Ring-Seal
14	107-0829	2	Washer	30	120-6679	2	Plate-Swash
15	120-5151	1	Pump Housing ASM	31	107-0808	2	Valve-Bypass
16	107-0826	2	Bearing	32	107-0804	2	Valve-Rear
17	107-0821	1	Bearing	33	107-0803	2	Valve-Front
18	107-0838	1	Bearing	34	107-0863	8	Bolt
19	120-6682	2	Bolt	35	107-0806	1	Valve-Flushing, LH
23	107-0861	1	Plug-NPTF	36	92-0757	2	Ring-Snap
24	237-79	1	O-Ring				

# Transmission Assembly (cont.) Gear Case and Clutch Assembly

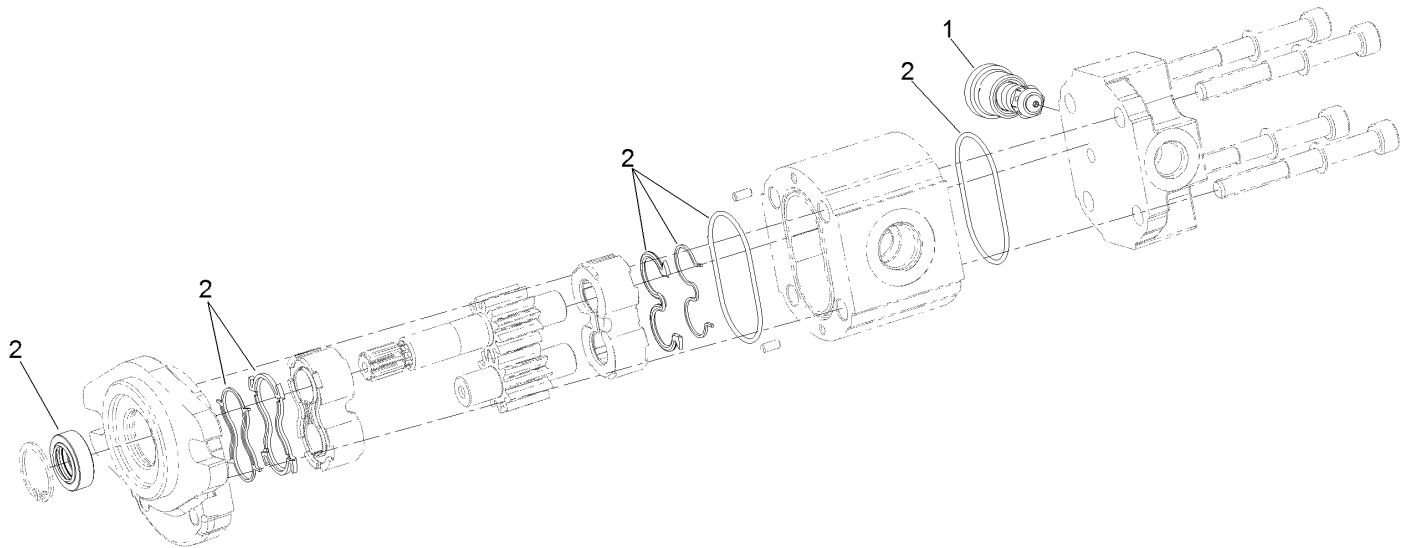


## Transmission Assembly (cont.) Gear Case and Clutch Assembly (continued)

<i>Ref.</i>	<i>Part Number</i>	<i>Qty.</i>	<i>Description</i>	<i>Ref.</i>	<i>Part Number</i>	<i>Qty.</i>	<i>Description</i>
1	107-0839	1	PTO Brake ASM	19	107-0811	1	Pipe
2	107-0837	3	Rod-Push	20	107-0821	2	Bearing
3	107-0833	1	PTO Shaft ASM	21	107-0836	1	Spacer
4	107-0825	2	Ring-Seal	22	107-0820	1	Gear-Input
5	107-0827	1	Shaft-Pump	23	107-0834	1	Gear-PTO
6	107-0823	2	Gear-Pump	24	107-0822	1	Shaft-Pump
7	92-0765	4	Pin-Parallel	25	107-0819	1	Shaft-Input
8	107-0816	1	Gasket-Housing, Gear	26	92-0758	1	Ring-Snap
9	107-0826	4	Bearing	27	107-0838	3	Bearing
10	120-5152	1	Housing-Case, Gear	28	107-0866	1	Key
11	107-0863	13	Bolt	29	107-0835	1	Clutch Cylinder ASM
12	92-0757	1	Ring-Snap	30	107-0854	1	Gear Housing Seal Kit
13	107-0813	1	Spacer	30:1	107-0817	2	O Ring-Plug
14	107-0814	1	Seal	30:2		2	O-Ring ●
15	104-3298	1	Packing	30:3	104-3298	1	Packing
16	107-0861	1	Plug-NPTF	30:4	107-0814	1	Seal
17	107-0817	6	O Ring-Plug	30:5	107-0816	1	Gasket-Housing, Gear
18	107-0857	6	Plug				

● Not serviced separately

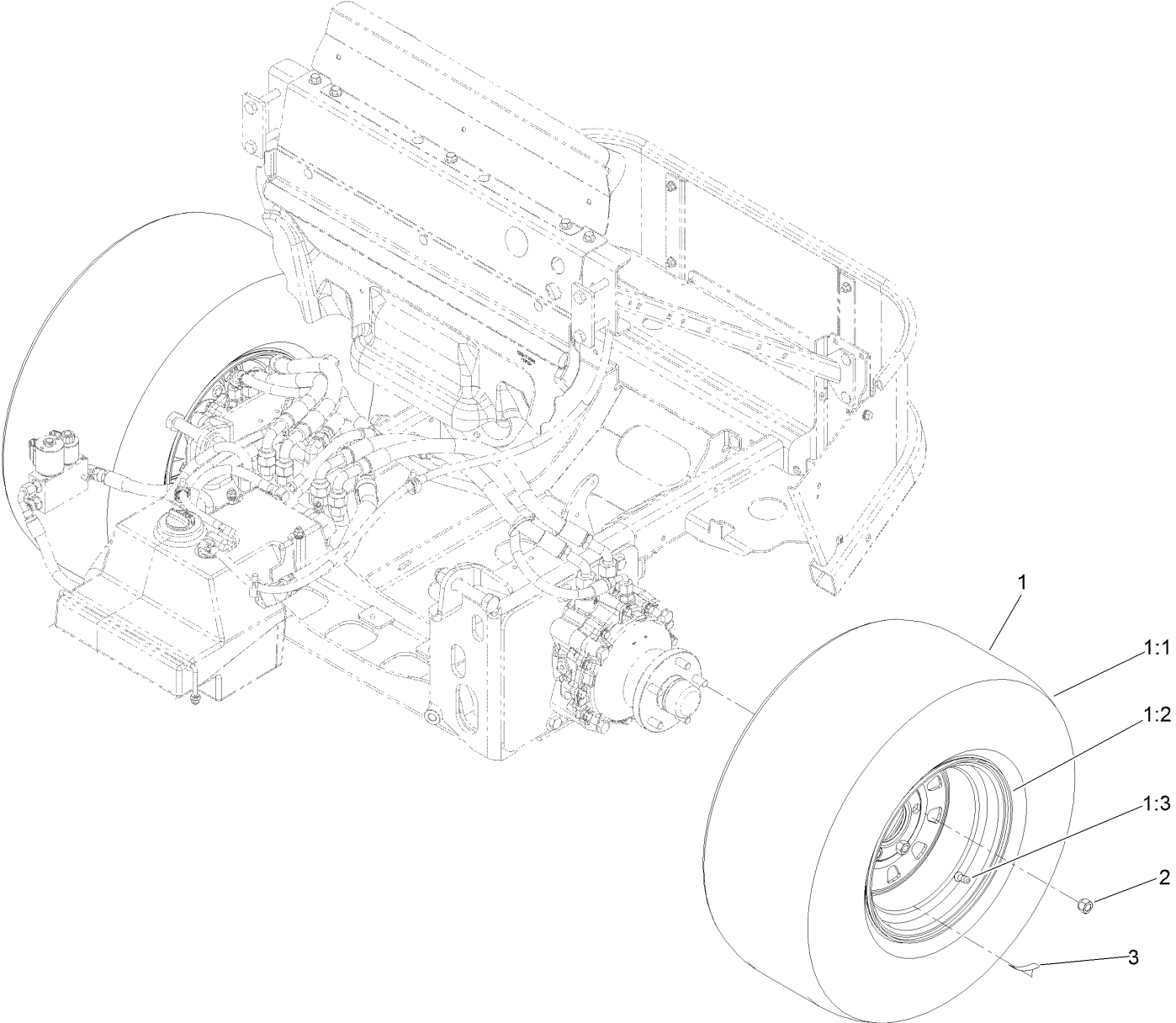
# Hydraulic Gear Pump Assembly No. 112-9542



# Hydraulic Gear Pump Assembly No. 112-9542 (continued)

<i>Ref.</i>	<i>Part Number</i>	<i>Qty.</i>	<i>Description</i>
1	112-0198	1	Valve
2	112-0199	1	Seal Kit

# Rear Wheel Assembly

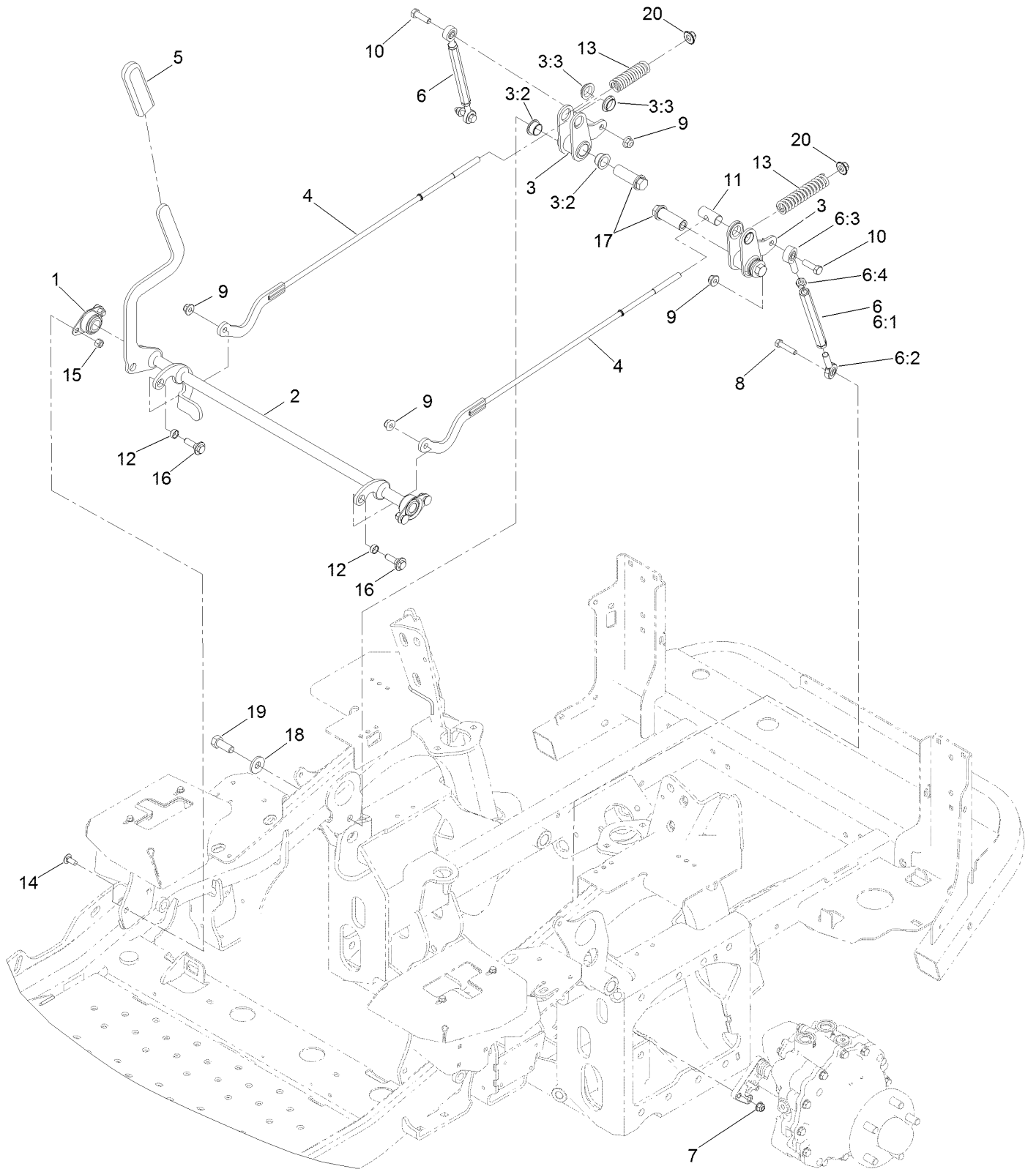




## Rear Wheel Assembly (continued)

<i>Ref.</i>	<i>Part Number</i>	<i>Qty.</i>	<i>Description</i>	<i>Ref.</i>	<i>Part Number</i>	<i>Qty.</i>	<i>Description</i>
1	126-8104	2	Tire ASM	1:3	232-27	1	Stem-Valve
1:1	126-8106	1	Rim	2	242-50	10	Nut-Lug
1:2	126-8033	1	Tire	3	135-0328	2	Decal-Torque, Wheel Nut

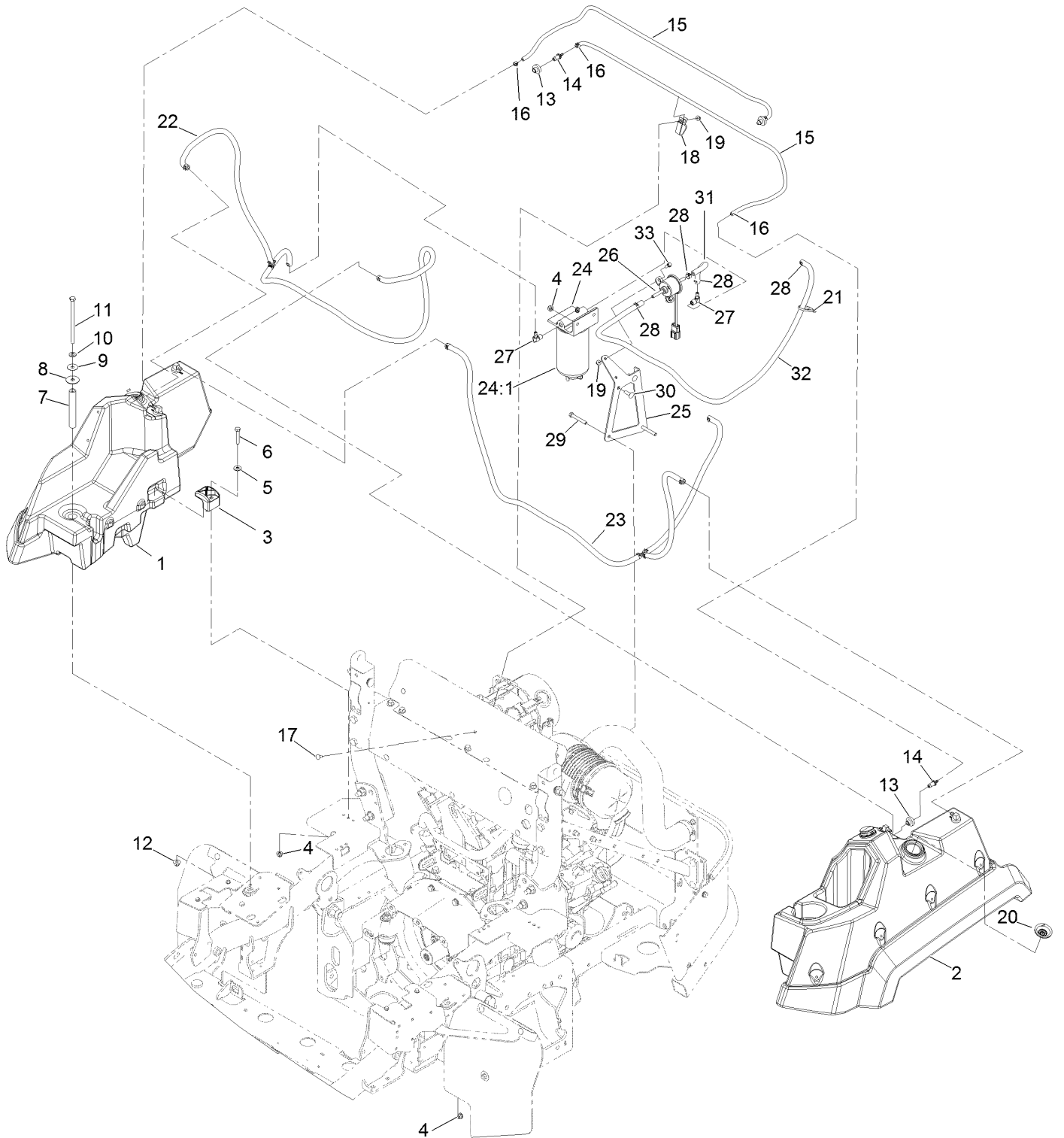
# Parking Brake Assembly



## Parking Brake Assembly (continued)

<i>Ref.</i>	<i>Part Number</i>	<i>Qty.</i>	<i>Description</i>	<i>Ref.</i>	<i>Part Number</i>	<i>Qty.</i>	<i>Description</i>
1	1-633102	2	Bearing-Flange, Side	8	322-7	2	Screw-HH
2	126-2019	1	Shaft-Brake	9	104-8301	4	Nut-HF, NI
3	126-3010	2	Brake Bellcrank ASM	10	323-7	2	Screw-HH
3:2	109-8054	2	Bushing-Flange	11	1-633144	2	Pin-Trunion
3:3	135-2840	2	Bushing-Flange	12	133-5109	2	Bearing-Sleeve
4	126-3193	2	Link-Brake, Upper	13	109-2230	2	Spring-Compression
5	1-633268	1	Grip-Lever	14	3230-23	4	Bolt-CARR
6	126-9171	2	Turnbuckle ASM	15	3296-29	4	Nut-Lock, NI
6:1	126-9172	1	Turnbuckle	16	614672	2	Screw-Shoulder, HWH
6:2	126-9302	1	Bearing-End, LH Rod	17	109-5891	2	Hub-Threaded
6:3	1-613204	1	Balljoint	18	1-513435	2	Washer-Spring
6:4	3220-3	1	Nut-HJ	19	325-5	2	Screw-HH
7	104-8300	2	Nut-HF, NI	20	109-6658	2	Nut-Flange, NI

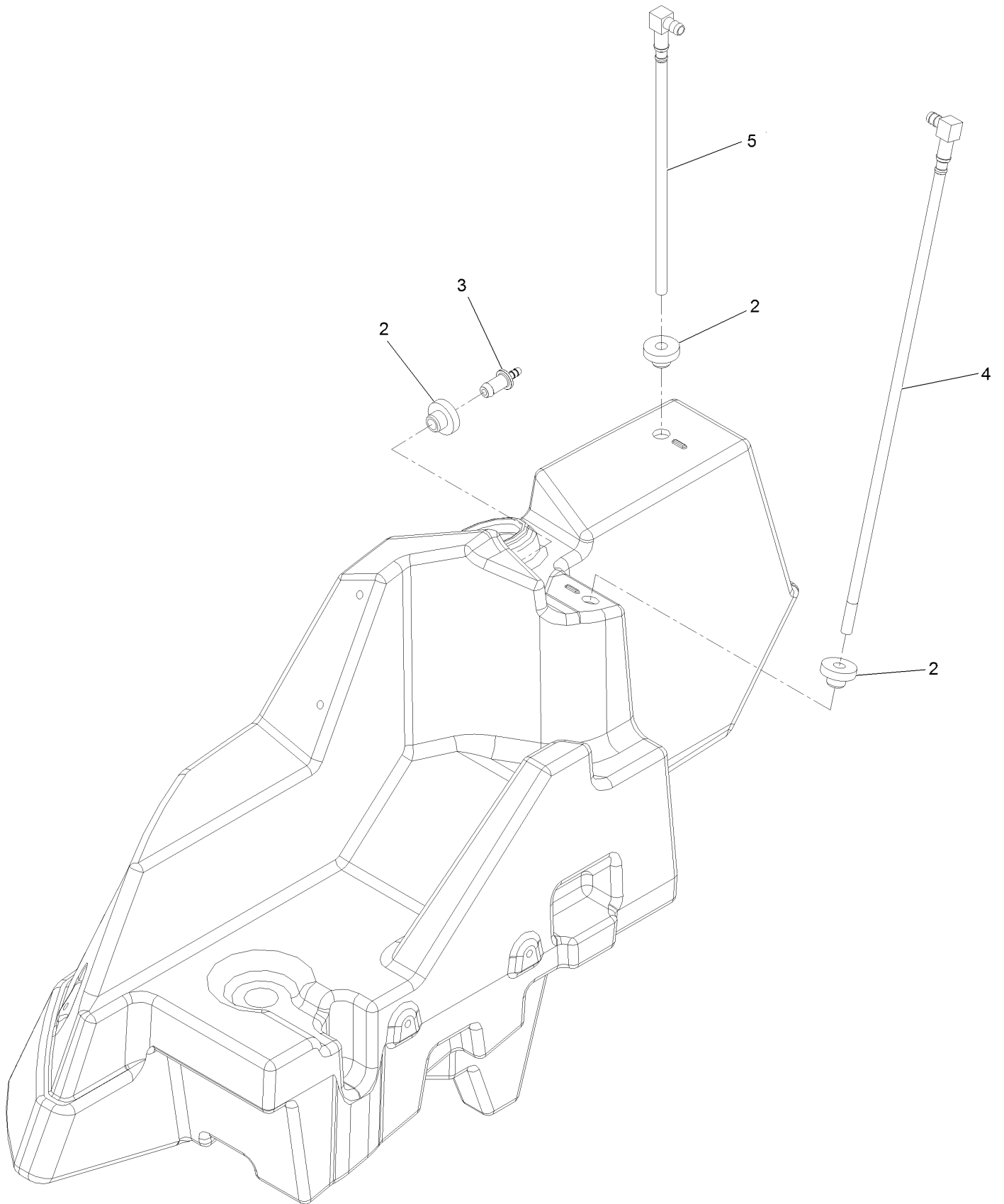
# Fuel System Assembly



## Fuel System Assembly (continued)

<i>Ref.</i>	<i>Part Number</i>	<i>Qty.</i>	<i>Description</i>	<i>Ref.</i>	<i>Part Number</i>	<i>Qty.</i>	<i>Description</i>
1	126-8651	1	RH Fuel Tank ASM	18	92-5753	3	Clamp-Hose
2	126-8652	1	LH Fuel Tank ASM	19	104-7201	5	Nut-HF
3	107-4543	4	Clamp	20	135-2715	2	Cap-Fuel, Diesel
4	104-8300	8	Nut-HF, NI	21	3290-378	1	Tie-Cable
5	3256-3	4	Washer-Flat	22	135-0512	1	Fuel Suction Line ASM
6	322-21	4	Screw-HH	23	135-0513	1	Fuel Return Line ASM
7	126-8335	2	Tube-Spacer	24	125-2914	1	Filter-Separator
8	95-1905	2	Washer-Rubber	24:1	125-2915	1	Filter-Fuel/Water Separator
9	105-6814	2	Washer-Plain	25	126-8795-03	1	Bracket-Filter, Fuel
10	3256-24	2	Washer-Flat	26	121-5613	1	Pump-Fuel, Electric
11	323-22	2	Screw-HH	27	353-781	2	Fitting-HYD, 90
12	104-8301	2	Nut-HF, NI	28	92-2379	4	Clamp-Hose
13	46-6560	2	Bushing	29	322-11	2	Screw-HH
14	116-4630	2	Fitting-Orifice, Straight	30	3230-22	2	Screw-CARR
15	117-6395	2	Hose-Vent, Tank	31	108-3280	1	Hose-Fuel
16	2412-80	4	Clamp-Hose	32	110-7503	1	Hose-Fuel
17	3229-11	3	Screw-CARR	33	32105-15	2	Screw-HWH

# RH Fuel Tank Assembly No. 126-8651

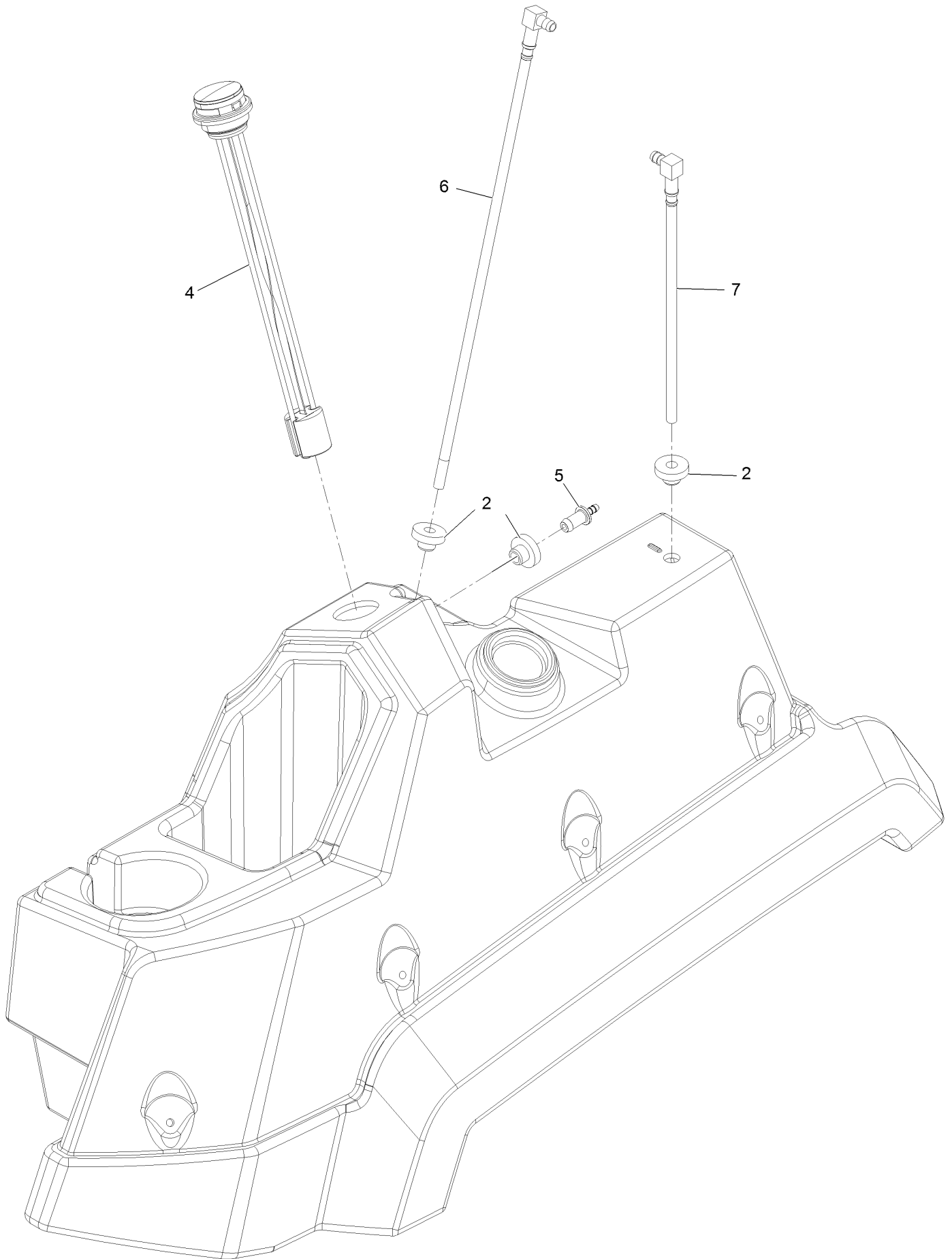


# RH Fuel Tank Assembly No. 126-8651 (continued)

<i>Ref.</i>	<i>Part Number</i>	<i>Qty.</i>	<i>Description</i>
2	46-6560	3	Bushing
3	116-4630	1	Fitting-Orifice, Straight

<i>Ref.</i>	<i>Part Number</i>	<i>Qty.</i>	<i>Description</i>
4	126-8647	1	Pick-Up-Fuel
5	126-8649	1	Return-Fuel

# LH Fuel Tank Assembly 126-8652



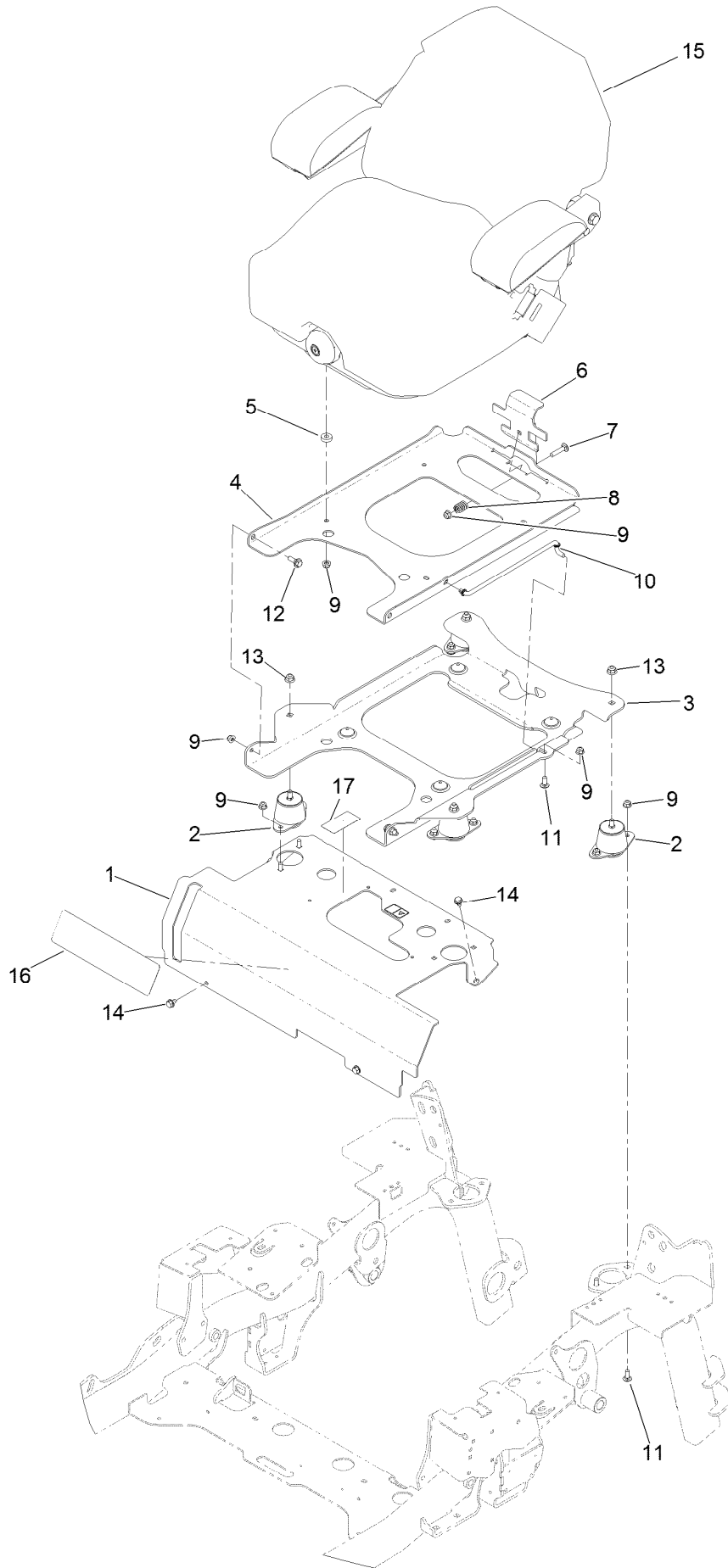


## LH Fuel Tank Assembly 126-8652 (continued)

<i>Ref.</i>	<i>Part Number</i>	<i>Qty.</i>	<i>Description</i>
2	46-6560	3	Bushing
4	126-8660	1	Gauge-Fuel
5	116-4630	1	Fitting-Orifice, Straight

<i>Ref.</i>	<i>Part Number</i>	<i>Qty.</i>	<i>Description</i>
6	126-8647	1	Pick-Up-Fuel
7	126-8649	1	Return-Fuel

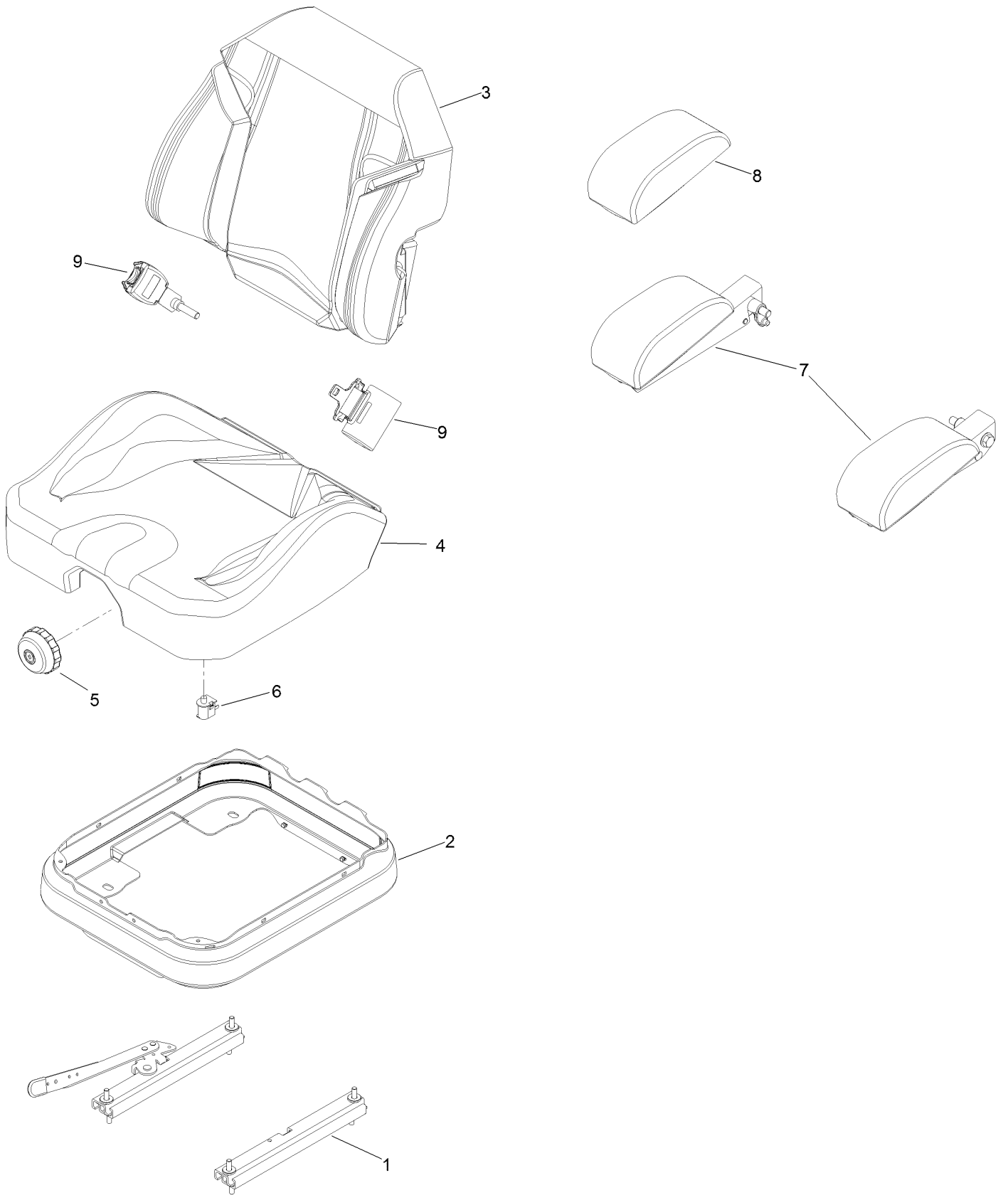
# Seat Mount Assembly



## Seat Mount Assembly (continued)

<i>Ref.</i>	<i>Part Number</i>	<i>Qty.</i>	<i>Description</i>	<i>Ref.</i>	<i>Part Number</i>	<i>Qty.</i>	<i>Description</i>
1	126-7286	1	Seat Mount ASM	10	116-0070	1	Rod-Prop
2	109-9034	4	Isolator-Seat	11	3230-23	9	Bolt-CARR
3	126-2701-03	1	Plate-Support, Tilt Seat	12	116-1297	2	Screw-Shoulder
4	126-2700-03	1	Plate-Frame, Seat	13	104-8301	4	Nut-HF, NI
5	26-4840	4	Spacer-Pin, Mounting	14	9266934	4	Screw
6	126-1855	1	Plate-Latch, Seat	15	140-8003	1	Seat-Suspension
7	3230-4	1	Bolt-CARR	16	140-1215	1	Decal-Console
8	107-3017	1	Spring-Compression	17	135-2837	1	Decal-Fluid, Transmission
9	104-8300	16	Nut-HF, NI				

# Seat Assembly No. 140-8003

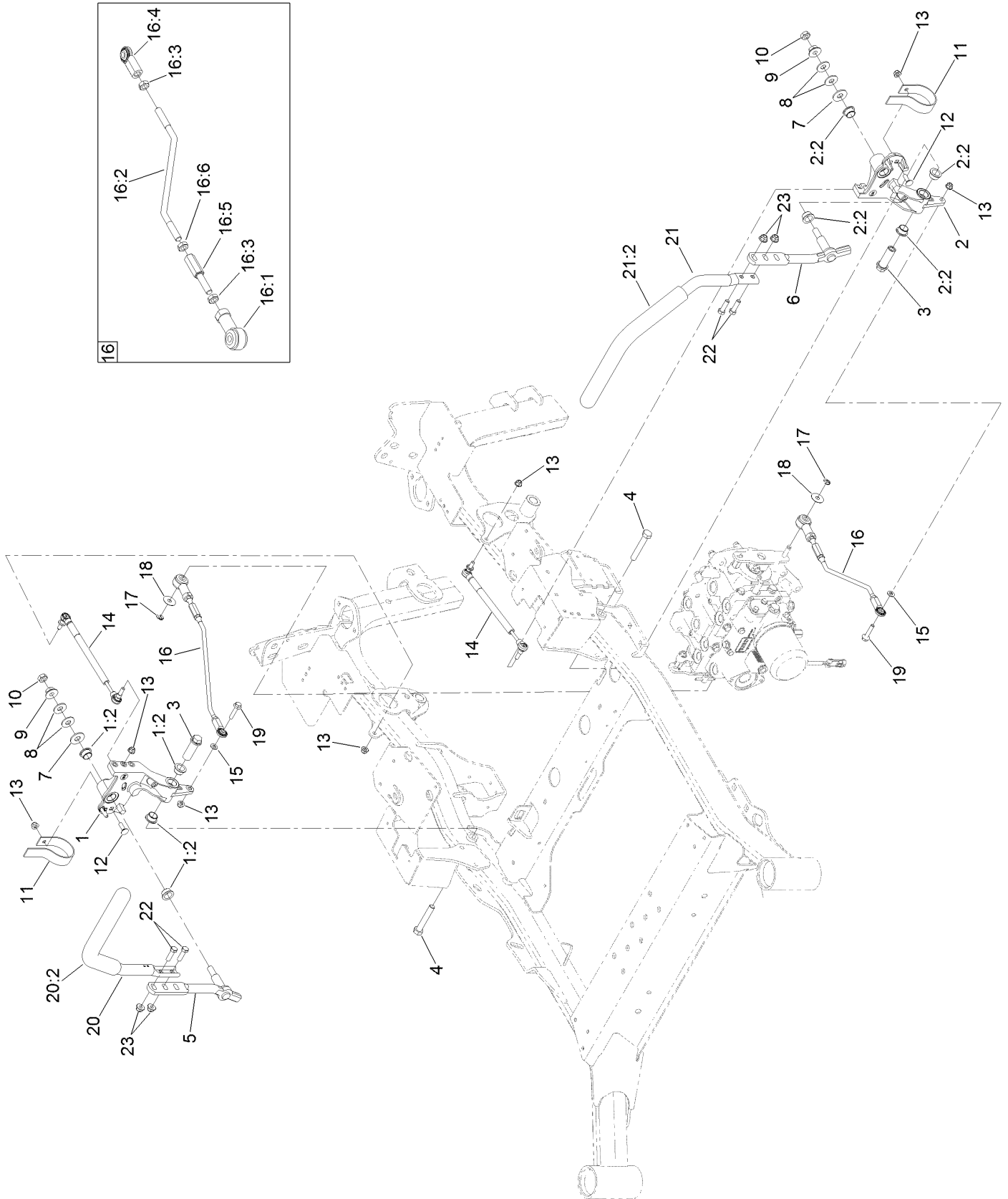


## Seat Assembly No. 140-8003 (continued)

<i>Ref.</i>	<i>Part Number</i>	<i>Qty.</i>	<i>Description</i>
1	140-8012	1	Set, Seat Track
2	116-5659	1	Cover-Suspension Bellows
3	140-8004	1	Cover-Back
4	140-8005	1	Cover-Cushion
5	116-8911	1	Knob-Adjuster

<i>Ref.</i>	<i>Part Number</i>	<i>Qty.</i>	<i>Description</i>
6	82-2190	1	Switch-Bail
7	109-9803	1	Arm Rest Set
8	109-9802	1	Arm Rest Pad Set
9	126-2061	1	Seat Belt Service Kit

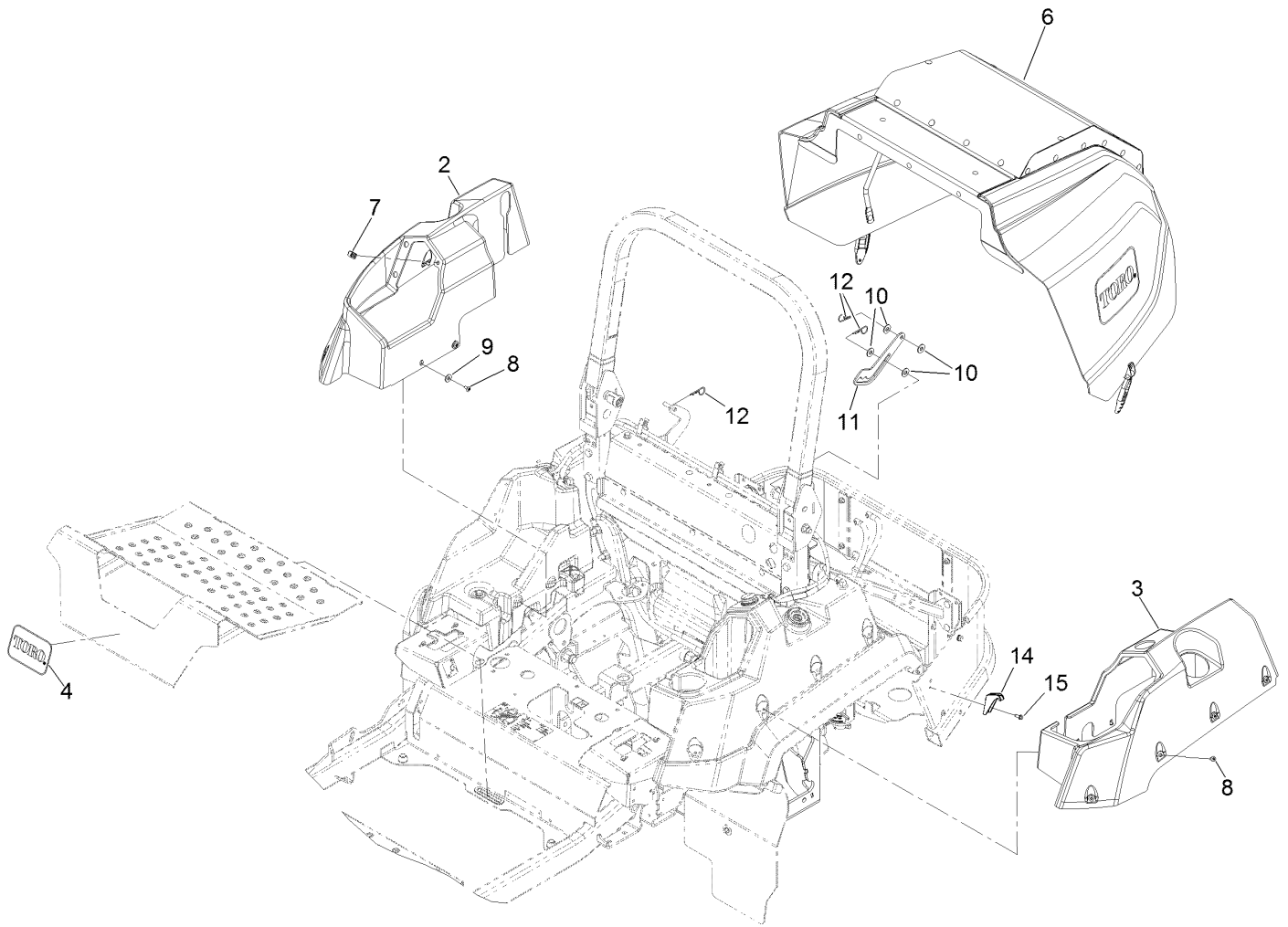
# Motion Control Assembly



## Motion Control Assembly (continued)

<i>Ref.</i>	<i>Part Number</i>	<i>Qty.</i>	<i>Description</i>	<i>Ref.</i>	<i>Part Number</i>	<i>Qty.</i>	<i>Description</i>
1	116-0880	1	RH Motion Control And Bushing ASM	15	3256-23	2	Washer-Plain
1:2	109-8054	4	Bushing-Flange	16	126-6131	2	Front Linkage Rod ASM
2	116-0881	1	LH Motion Control And Bushing ASM	16:1	105-7199	1	End-Rod, Isolated
2:2	109-8054	4	Bushing-Flange	16:2	126-6469	1	Rod-Linkage, Rear
3	109-5891	2	Hub-Threaded	16:3	3220-3	2	Nut-HJ
4	325-12	2	Screw-HH	16:4	103-2463	1	Joint-Ball, End
5	116-0039	1	Lever-Control Motion, RH	16:5	116-4755	1	Rod-Adjustment
6	116-0040	1	Lever-Control Motion, LH	16:6	3220-16	1	Nut-Hex Jam, LH
7	3256-6	2	Washer-Flat	17	32151-47	2	Ring-Retaining
8	109-9505	4	Washer-Spring	18	105-6814	2	Washer-Plain
9	32128-56	2	Nut-HF	19	115-1794	2	Screw-HHF
10	3218-5	2	Nut-Jam	20	126-7700	1	RH Steering Handle ASM
11	109-5575	2	Spring-Leaf	20:2	109-5668	1	Grip-Lever, Control
12	3230-2	2	Bolt-CARR	21	126-7699	1	LH Steering Handle ASM
13	104-8300	8	Nut-HF, NI	21:2	109-5668	1	Grip-Lever, Control
14	116-0027	2	Damper-Control, Motion	22	323-7	4	Screw-HH
				23	104-8301	4	Nut-HF, NI

# Hood and Cover Assembly

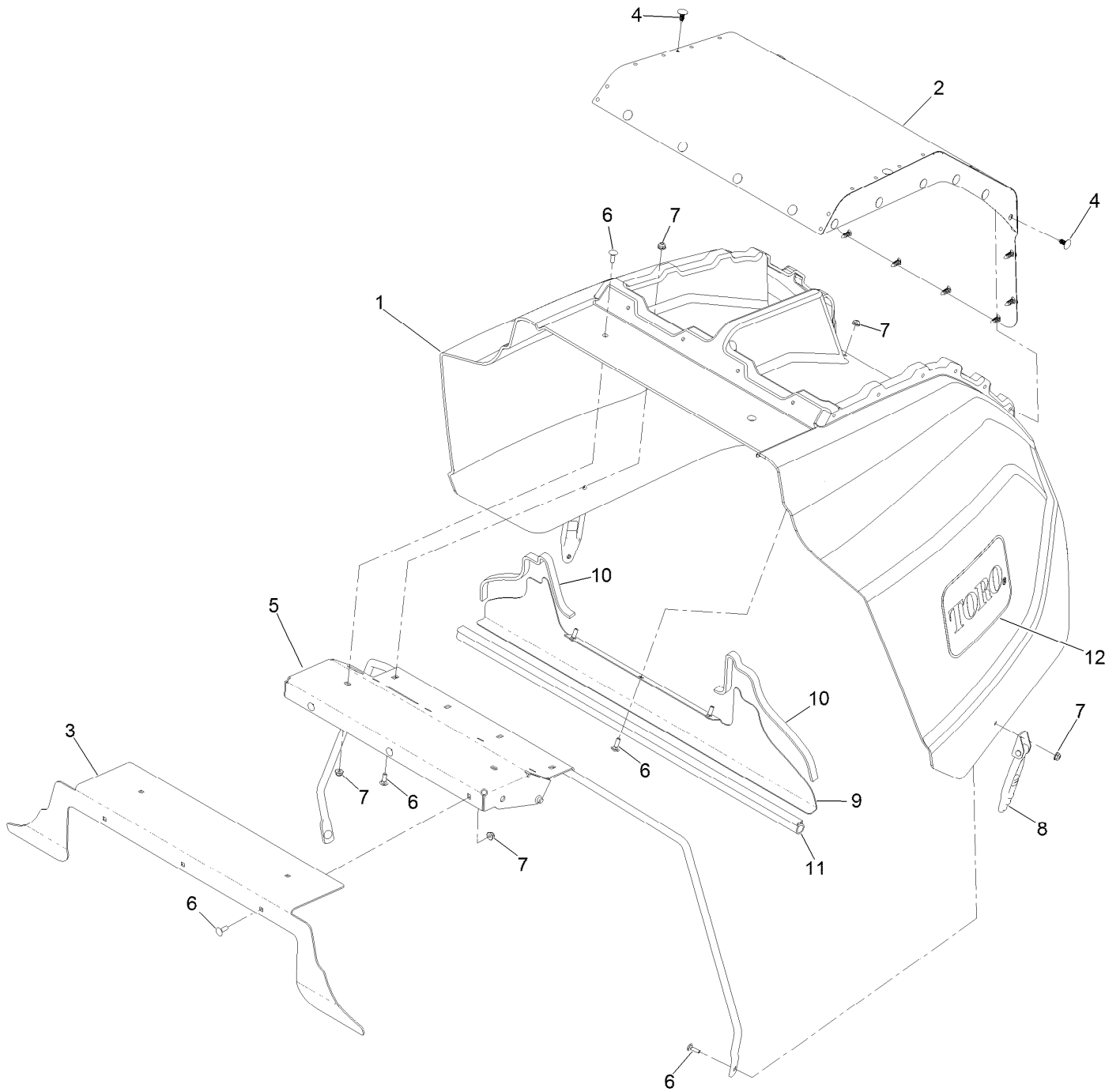




## Hood and Cover Assembly (continued)

<i>Ref.</i>	<i>Part Number</i>	<i>Qty.</i>	<i>Description</i>	<i>Ref.</i>	<i>Part Number</i>	<i>Qty.</i>	<i>Description</i>
2	126-8655	1	Cover-Tank, RH	9	3256-71	4	Washer-Flat
3	126-8656	1	Cover-Tank, LH	10	3256-4	4	Washer-Flat
4	68-3640	1	Decal	11	142-6010	1	Prop-Hood
6	135-7930	1	Hood ASM	12	3290-255	3	Pin-Cotter, Hair
7	107069	1	Clip	14	126-8672	2	Latch-Catch
8	126-8216	12	Screw-Torx	15	32144-10	2	Screw-HWH

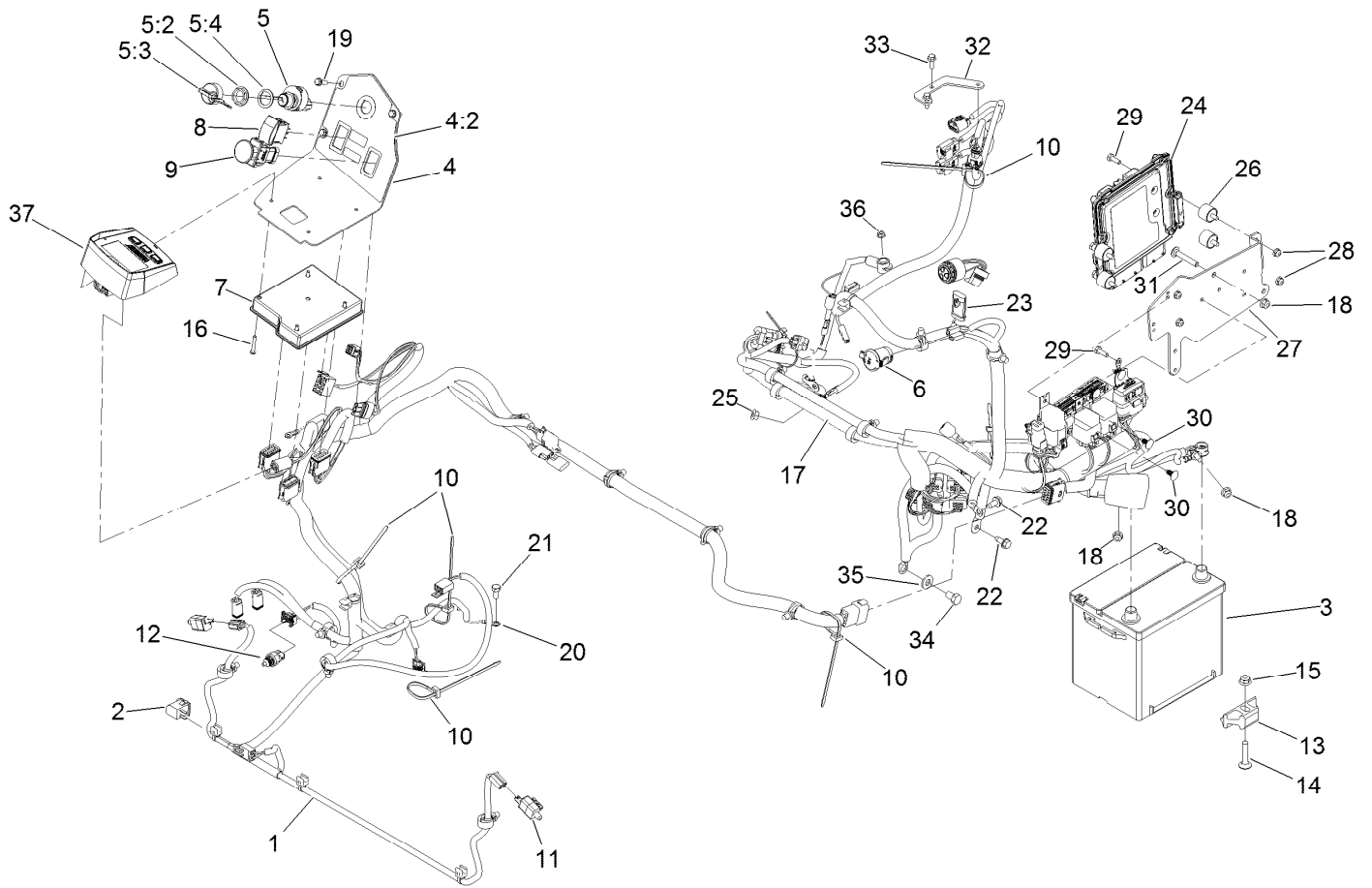
# Hood Assembly No. 135-7930



## Hood Assembly No. 135-7930 (continued)

<i>Ref.</i>	<i>Part Number</i>	<i>Qty.</i>	<i>Description</i>	<i>Ref.</i>	<i>Part Number</i>	<i>Qty.</i>	<i>Description</i>
1	135-7929	1	Hood	7	104-7201	14	Nut-HF
2	135-6746-03	1	Screen-Intake	8	103-2898	2	Latch-Rubber
3	135-6750-03	1	Block Off-Hood	9	135-7572-03	1	Plate-Seal
4	117-2382	24	Plug-Plastic	10	135-7573	2	Seal-Foam
5	126-6524-03	1	Support-Hood	11	126-6846	1	Seal-Bulb
6	3229-1	14	Screw-CARR	12	62-7400	2	Decal

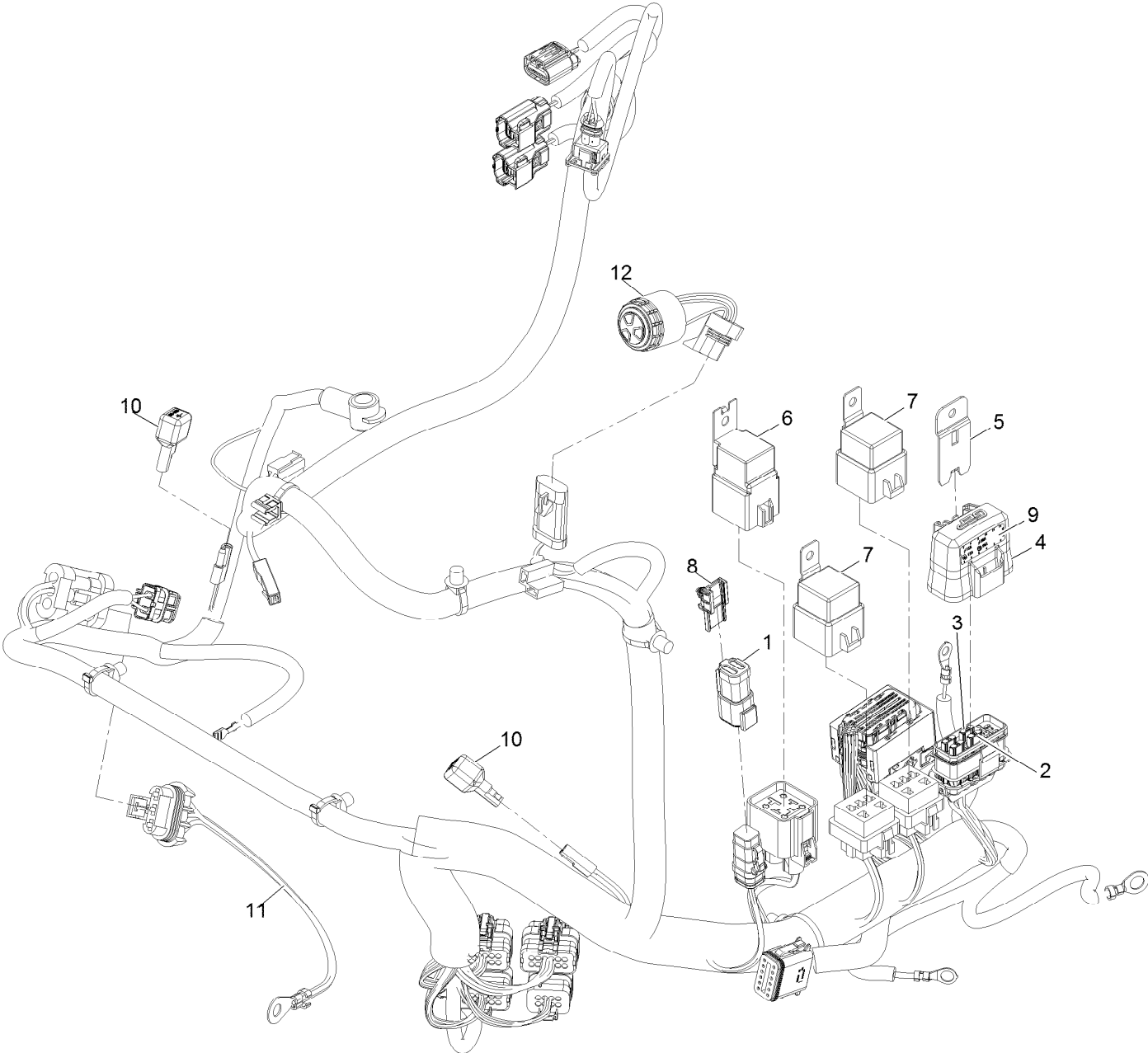
# Electrical Assembly



## Electrical Assembly (continued)

<i>Ref.</i>	<i>Part Number</i>	<i>Qty.</i>	<i>Description</i>	<i>Ref.</i>	<i>Part Number</i>	<i>Qty.</i>	<i>Description</i>
1	126-7262	1	Harness-Wire	17	126-7406	1	Cable-Battery
2	82-2190	1	Switch-Bail	18	104-8300	4	Nut-HF, NI
3	106-5187	1	Battery, 525 CCA W/O Electrolyte	19	32105-15	3	Screw-HWH
4	135-6122	1	Console ASM	20	135-3998	1	Harness-Wire, Jumper
4:2	126-9278	1	Decal-Control Panel	21	99-5132	1	Bolt
5	126-6285	1	Ignition Switch ASM	22	32144-70	2	Screw-HWHTF
5:2	108-8660	1	Nut-Mounting	23	126-7352	1	Harness-Wire
5:3	106-5270	1	Ignition Key Set	24	121-5592	1	Electronic Control Unit
5:4	108-8659	1	Washer-Backup	25	127-2371	1	Nut-HF
6	126-6499	1	Port-Power, 12V	26	125-2674	4	Mount-Cylindrical
7	135-3427	1	Module-Mcu	27	126-8706-03	1	Mount-Control Unit, Engine
8	100-1535	1	Switch-Rocker, (On)-Off-(On)	28	104-7201	4	Nut-HF
9	126-6187	1	Switch-PTO, Sealed	29	321-4	4	Screw-HH
10	3290-378	6	Tie-Cable	30	117-2382	4	Plug-Plastic
11	110-6765	2	Switch	31	3230-6	2	Bolt-CARR
12	126-7698	1	Sensor-Temperature	32	135-0071	1	Bracket-Wiring, Engine
13	138-6335	1	Retainer-Battery	33	33103-020	2	Screw-HHF
14	3231-5	1	Screw-CARR	34	33115-016	1	Screw-HH
15	104-8301	1	Nut-HF, NI	35	98-5975	1	Washer-Belleville
16	126-5092	4	Screw-PPH	36	33003-00	1	Nut-HF
				37	126-9976	1	Module-Horizon

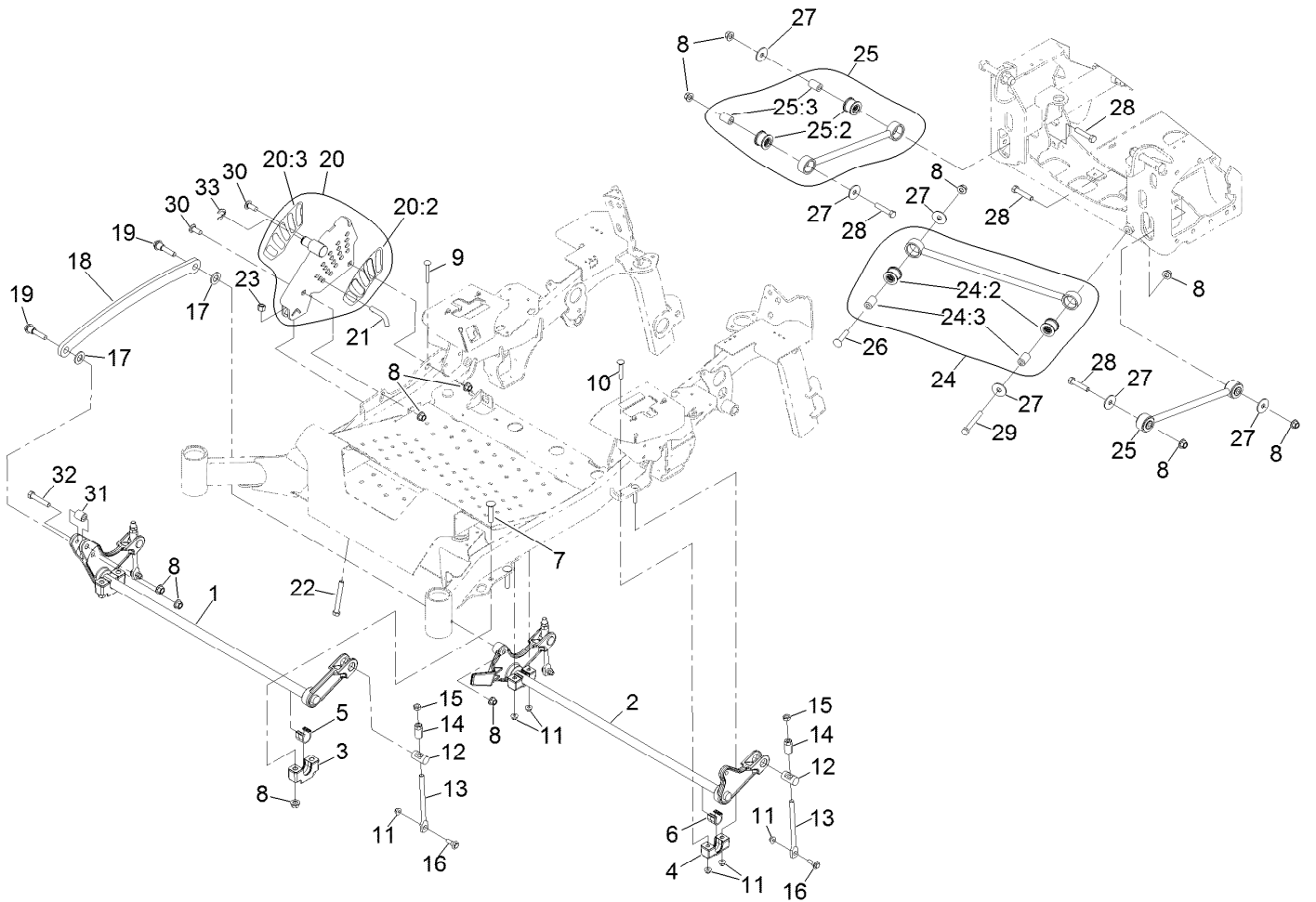
# Wire Harness Assembly No. 126-7352



## Wire Harness Assembly No. 126-7352 (continued)

<i>Ref.</i>	<i>Part Number</i>	<i>Qty.</i>	<i>Description</i>	<i>Ref.</i>	<i>Part Number</i>	<i>Qty.</i>	<i>Description</i>
1	32160-359	1	Connector (6M)	7	99-7430	2	Relay-Mini
2	121-8867	3	Fuse-Mini Blade, 15 Amp	8	32180-103	1	Clip-Connector
3	121-8869	1	Fuse-Mini Blade, 25 Amp	9	126-9351	1	Decal-Fuse
4	32180-176	1	Cover-Block, Fuse	10	100-4918	2	Diode
5	32180-177	1	Clip-Mounting	11	99-3441	1	Harness-Wire, Fusible Link
6	127-7514	1	Relay-70A	12	126-6286	1	Alarm-Dual Tone

# Deck Lif Assembly

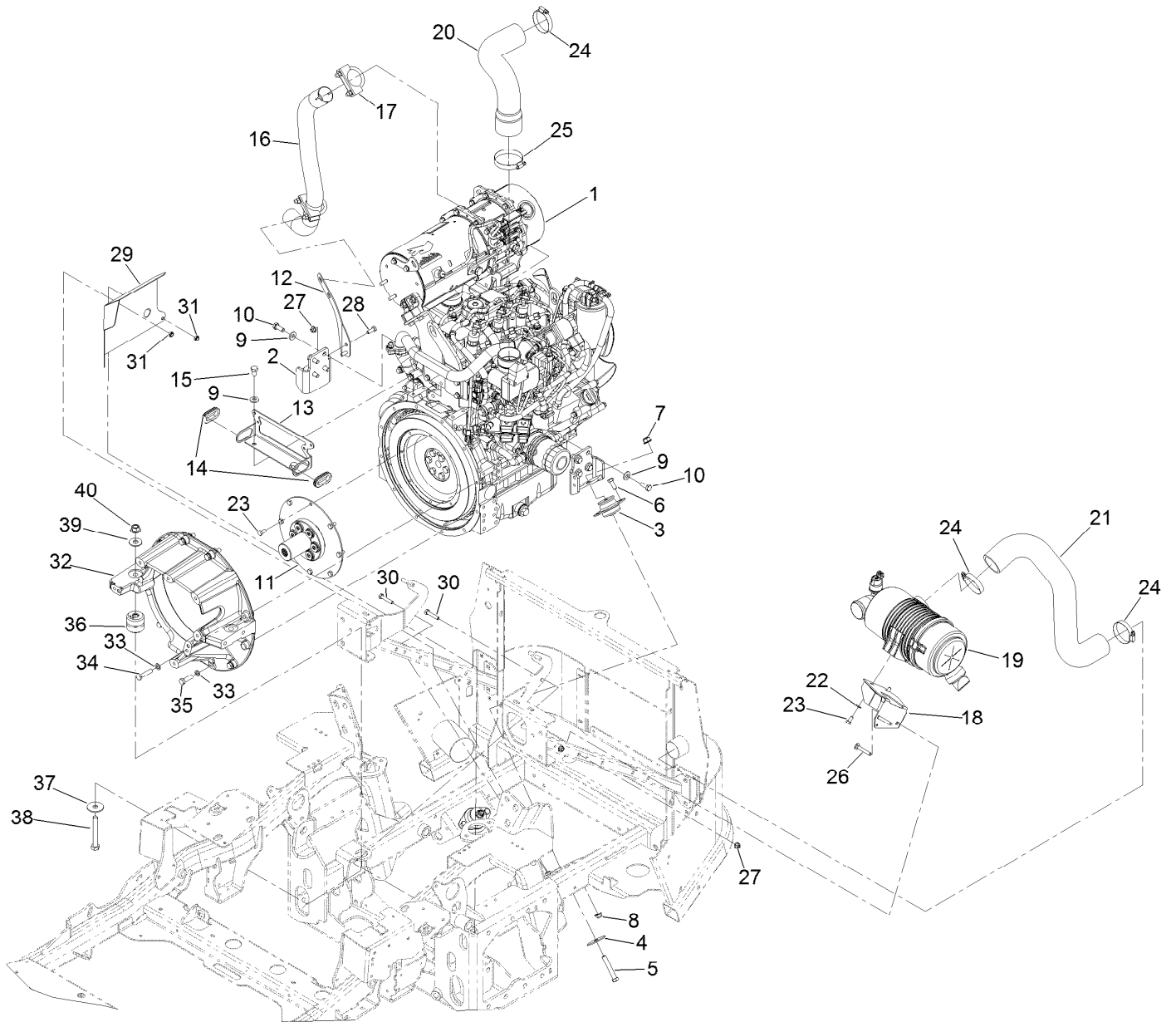




## Deck Lif Assembly (continued)

<i>Ref.</i>	<i>Part Number</i>	<i>Qty.</i>	<i>Description</i>	<i>Ref.</i>	<i>Part Number</i>	<i>Qty.</i>	<i>Description</i>
1	135-1216-03	1	Lift-Deck, Front	20:2	126-9275	1	Decal-HOC
2	116-2645-03	1	Lift-Deck, Rear	20:3	135-1432	1	Decal-HOC, Outer
3	109-9409	2	Support-Bearing, Cross Shaft (Front)	21	116-5584	1	Pin-HOC
4	127-0553	2	Support-Bearing, Cross Shaft (Rear)	22	116-0559	1	Bolt-TAP
5	109-9410	2	Bearing-Cross Shaft, Front	23	3296-23	1	Nut-Lock, NI
6	109-7173	2	Bearing-Cross Shaft, Rear	24	109-5013	1	Panhard Rod ASM
7	116-1700	4	Bolt-CARR	24:2	109-5009	2	Bushing-Suspension, Rubber
8	99-5107	15	Nut-Lock	24:3	109-5010	2	Spacer
9	3231-9	1	Screw-CARR	25	109-7952	2	Deck Strut ASM
10	3231-7	3	Screw-CARR	25:2	109-5009	2	Bushing-Suspension, Rubber
11	104-8301	8	Nut-HF, NI	25:3	109-5010	2	Spacer
12	109-8353	4	Trunnion	26	3233-34	1	Screw-CARR
13	109-8007	4	Link-Adjuster, Deck Lift	27	86-1990	6	Washer-Thrust
14	109-7840	4	Adjuster-Lift, Deck	28	325-10	4	Screw-HH
15	3218-5	4	Nut-Jam	29	325-17	1	Screw-HH
16	109-9840	4	Screw-Shoulder, HHF	30	3233-26	2	Screw-CARR, Short Neck
17	3256-28	2	Washer-Flat	31	135-1215	1	Spacer-Pivot
18	116-0797-03	1	Link-Lift, Deck	32	325-11	1	Screw-HH
19	116-2022	2	Screw-HHF, Shoulder	33	32151-91	1	Ring-Retaining
20	126-7866	1	HOC ASM				

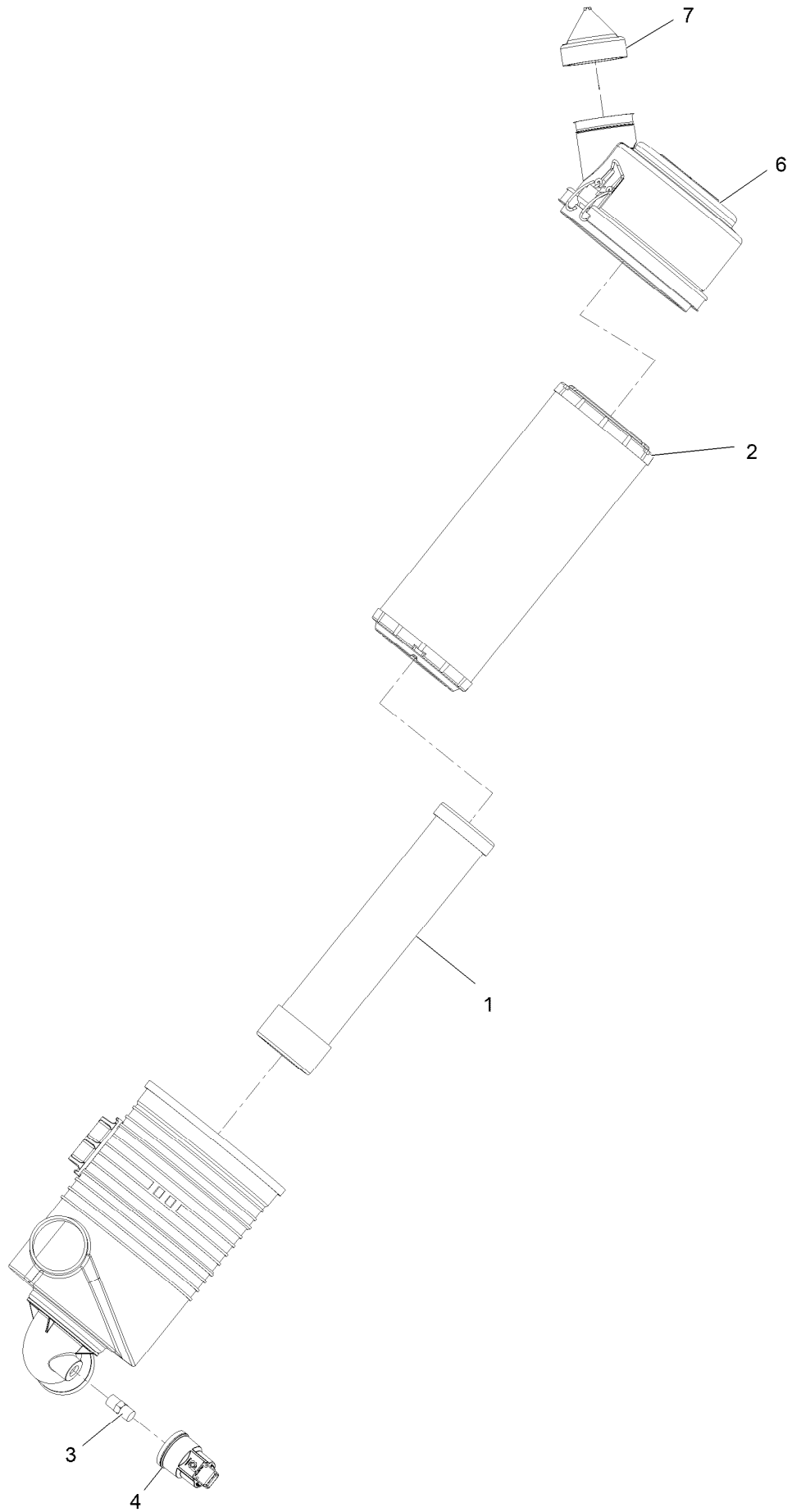
# Engine Assembly



## Engine Assembly (continued)

<i>Ref.</i>	<i>Part Number</i>	<i>Qty.</i>	<i>Description</i>	<i>Ref.</i>	<i>Part Number</i>	<i>Qty.</i>	<i>Description</i>
1	138-6927	1	Engine-Yanmar, 3Tnv88C-Dtr5	21	120-9177	1	Hose-Air
2	120-9180-03	2	Mount-Motor, Upper	22	3290-475	2	Washer-Belleville
3	130-2486	2	Mount	23	99-5132	10	Bolt
4	87-5100	2	Washer-Snubbing	24	2412-130	3	Clamp-Hose
5	324-11	2	Screw-HH	25	2412-125	1	Clamp-Hose
6	323-6	4	Screw-HH 3/8-16 X 1	26	3230-6	2	Bolt-Carriage 3/16-18 X 2
7	114-8417	2	Nut-HF, NI	27	104-8300	4	Nut-Nyloc 5/16-18 Flg
8	104-8301	4	Nut-Nyloc 3/8-16 Flg	28	322-4	2	Screw-HH 5/16-18 X 7/8
9	98-5975	10	Washer-Spring Disc 3/8	29	135-3946-03	1	Deflector-Air
10	33115-025	8	Screw-HH M10-1.5 X 35Mm	30	322-8	2	Screw-HH
11	120-9131	1	Coupling-Flywheel	31	3296-47	2	Nut-Nyloc 5/16-18 Thin
12	126-8587-03	1	Bracket-Mount	32	125-2836	1	Housing-Flywheel
13	126-7602-03	1	Bracket-Guide	33	48-9590	9	Washer-Lock
14	240-7	2	Grommet-Rubber	34	33115-045	7	Screw-HH
15	33115-016	2	Screw-HH	35	33115-035	2	Screw-HH M10-1.5 X 25Mm
16	126-7652	1	Tube-Exhaust	36	126-6095	2	Mount-Isolator
17	18-2130	2	Clamp	37	86-1990	2	Washer
18	126-8730-03	1	Bracket-Cleaner, Air	38	325-15	2	Screw-HH
19	142-3554	1	ASM, Hdac	39	3256-6	2	Washer
20	120-9199	1	Hose-Air	40	99-5107	2	Nut-Lock 1/2-13

# HDAC Assembly No. 142-3554



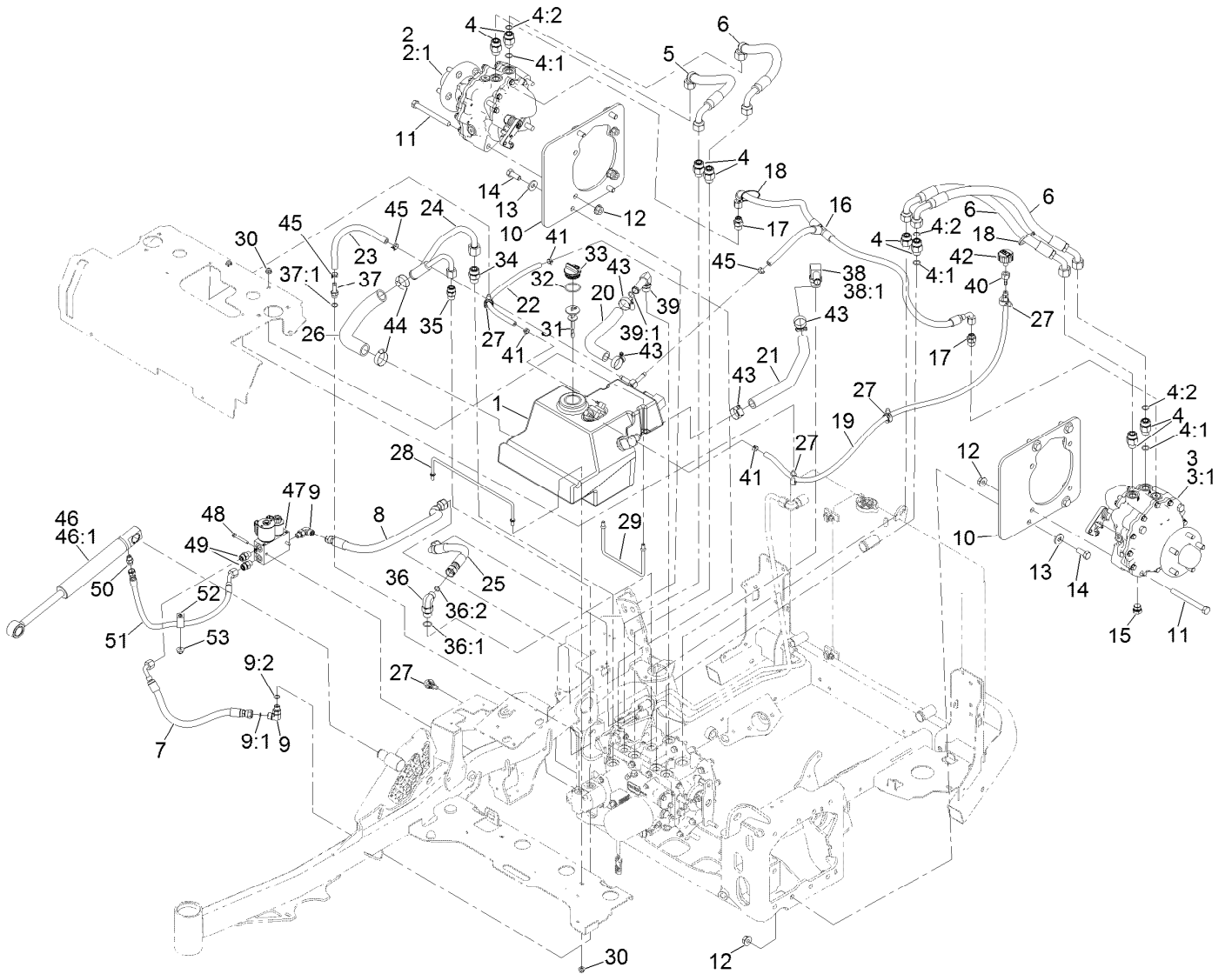
## HDAC Assembly No. 142-3554 (continued)

<i>Ref.</i>	<i>Part Number</i>	<i>Qty.</i>	<i>Description</i>
1	103-1326	1	Filter-Air, Safety
2	108-3810	1	Filter-Air
3	94-1416	1	Adapter-Indicator

<i>Ref.</i>	<i>Part Number</i>	<i>Qty.</i>	<i>Description</i>
4	126-7651	1	Indicator-Mini
6	98-9771	1	Cover ASM
7	AUA189052	1	Valve-Dust-Air Cleaner

# Hydraulic Assembly

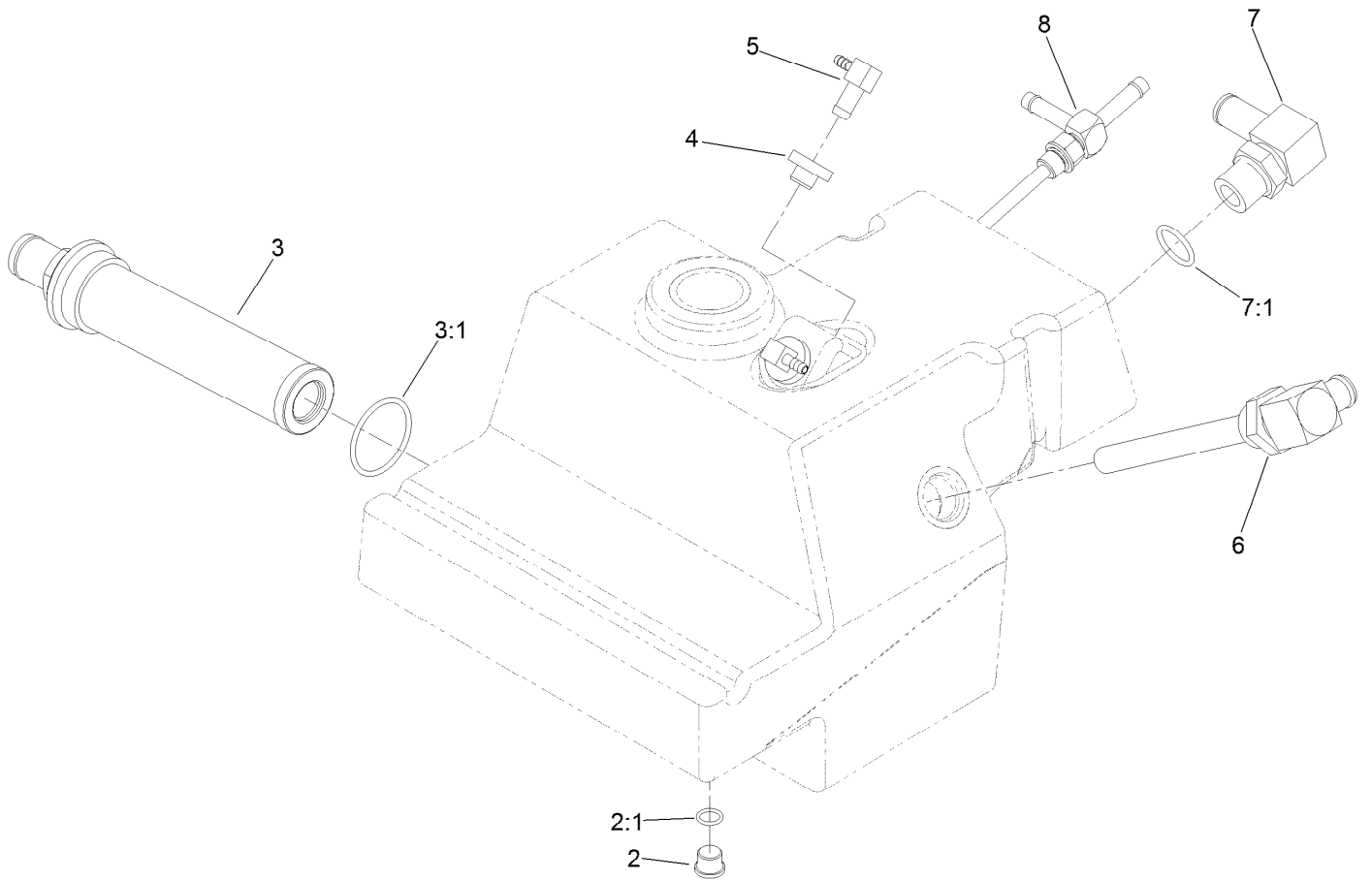
17	34	35	49	50
17:1	34:2	35:1	49:1	50:2
17:2	34:1	35:2	49:2	50:1



## Hydraulic Assembly (continued)

<i>Ref.</i>	<i>Part Number</i>	<i>Qty.</i>	<i>Description</i>	<i>Ref.</i>	<i>Part Number</i>	<i>Qty.</i>	<i>Description</i>
1	142-5034	1	HYD Reservoir ASM	31	112-6365	1	Dipstick
2	126-8133	1	Motor-HYD, RH	32	94-8166	1	O-Ring
2:1	135-5333	1	5 Stud Wheel Hub Kit	33	93-7498	1	Plug-Plastic
3	126-8134	1	Motor-HYD, LH	34	340-7	1	Fitting-Straight
3:1	135-5333	1	5 Stud Wheel Hub Kit	34:1	237-65	1	O-Ring
4	340-155	8	Fitting-Straight	34:2	237-80	1	O-Ring
4:1	237-79	1	O-Ring	35	340-4	1	Fitting-Straight
4:2	237-151	1	O-Ring	35:1	237-30	1	O-Ring
5	126-8686	1	Hose ASM	35:2	237-79	1	O-Ring
6	126-8687	3	Hose ASM	36	340-105	1	Fitting-Elbow, 90 DEG
7	126-8684	1	Hose ASM	36:1	237-80	1	O-Ring
8	126-8685	1	Hose ASM	36:2	237-30	1	O-Ring
9	340-77	2	Fitting-Elbow, 90 DEG	37	103-1912	1	Adapter-Straight
9:1	237-22	1	O-Ring	37:1	237-42	1	O-Ring
9:2	237-42	1	O-Ring	38	353-987	1	Fitting-Elbow, 90
10	126-7469-03	2	Plate-Motor	38:1	237-81	1	O-Ring
11	325-19	8	Screw-HH	39	87-8170	1	Fitting-90
12	32128-49	16	Nut-HHF	39:1	237-80	1	O-Ring
13	1-513435	8	Washer-Spring	40	354-95	1	Fitting-Straight
14	325-5	8	Screw-HH	41	2412-98	4	Clamp-Hose
15	142-2435	2	Plug-Magnetic	42	68-6150	1	Breather
16	135-3731	1	Tee Hose ASM	43	2412-129	4	Clamp-Hose
17	340-3	2	Fitting-Straight	44	2412-34	2	Clamp-Hose
17:1	237-22	1	O-Ring	45	103-1988	3	Clamp-Hose
17:2	237-79	1	O-Ring	46	126-7841	1	Lift Cylinder ASM
18	3290-378	2	Tie-Cable	46:1	142-2767	1	Kit, CYL Repair
19	126-6776	1	Hose	47	131-1934	1	Deck Lift Valve ASM
20	126-6767	1	Hose-Return	48	117-5248	2	Screw-HWHTF
21	126-6768	1	Hose-Return	49	340-2	2	Fitting-Straight
22	126-6778	1	Hose	49:1	237-22	1	O-Ring
23	126-6766	1	Hose	49:2	237-42	1	O-Ring
24	126-8688	1	Tube ASM	50	126-8692	1	Fitting-HYD, Straight
25	126-8682	1	Hose ASM	50:1	237-78	1	O-Ring
26	126-6774	1	Hose-Suction	50:2	237-21	1	O-Ring
27	32180-030	5	Clip-Tie	51	126-8683	1	Hose ASM
28	126-7547	1	Rod-Support, HYD Tank	52	1-633396	1	Clip-Loom
29	126-7546	1	Rod-Support, HYD Tank	53	104-8301	1	Nut-HF, NI
30	104-8300	4	Nut-HF, NI				

# Hydraulic Reservoir Assembly No. 142-5034

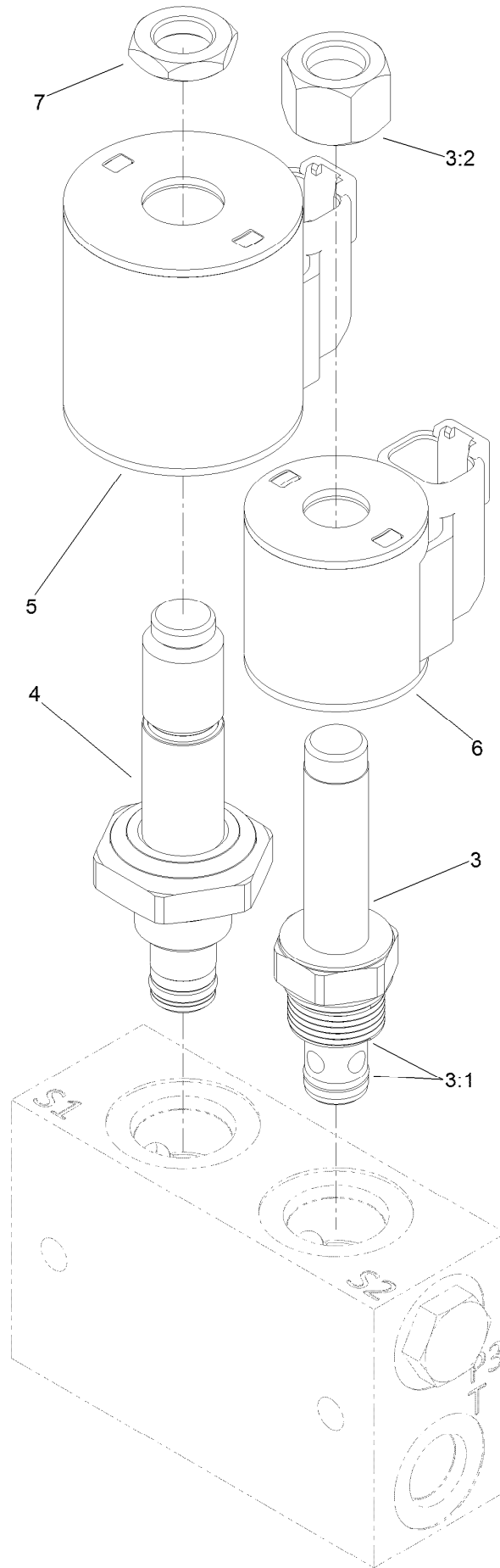




# Hydraulic Reservoir Assembly No. 142-5034 (continued)

<i>Ref.</i>	<i>Part Number</i>	<i>Qty.</i>	<i>Description</i>	<i>Ref.</i>	<i>Part Number</i>	<i>Qty.</i>	<i>Description</i>
2	353-989	1	Plug-Hex, Hollow	5	104-5228	2	Fitting-Elbow, 90 DEG
2:1	237-42	1	O-Ring	6	126-6782	1	Fitting-Standpipe
3	104-7546	1	Tank Strainer ASM	7	353-987	1	Fitting-Elbow, 90
3:1	340-136	1	O-Ring	7:1	237-81	1	O-Ring
4	46-6560	2	Bushing	8	135-3740	1	Fitting-Tee, Drop Tube

# Valve Assembly No. 131-1934

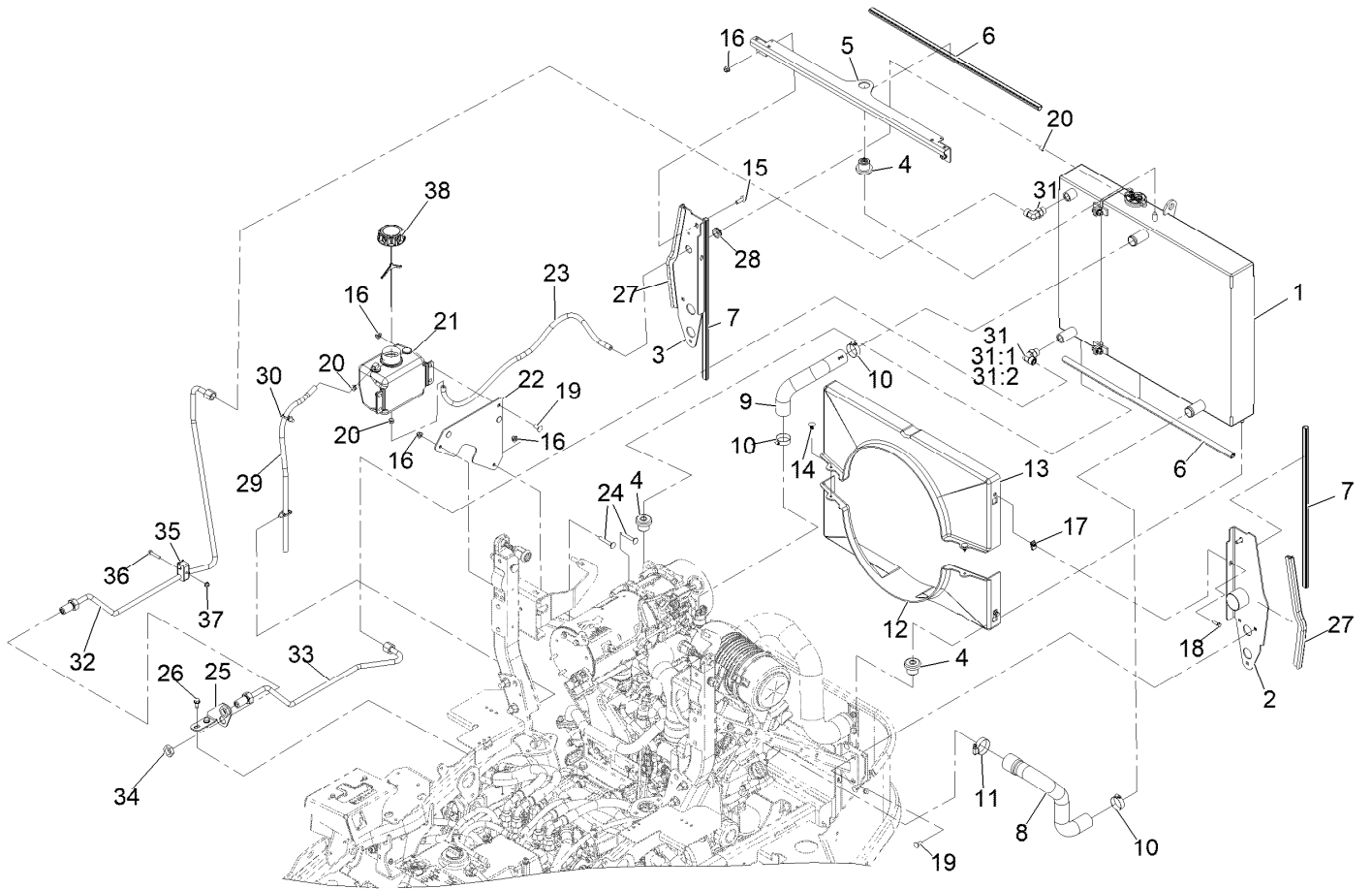


## Valve Assembly No. 131-1934 (continued)

<i>Ref.</i>	<i>Part Number</i>	<i>Qty.</i>	<i>Description</i>
3	107-7517	1	Valve-Solenoid
3:1	105-9156	1	Seal Kit
3:2	107-7812	1	Nut-Solenoid
4	131-1935	1	Valve-Solenoid

<i>Ref.</i>	<i>Part Number</i>	<i>Qty.</i>	<i>Description</i>
5	115-3021	1	Coil-12V
6	119-8036	1	Coil
7	110-2634	1	Nut-Coil

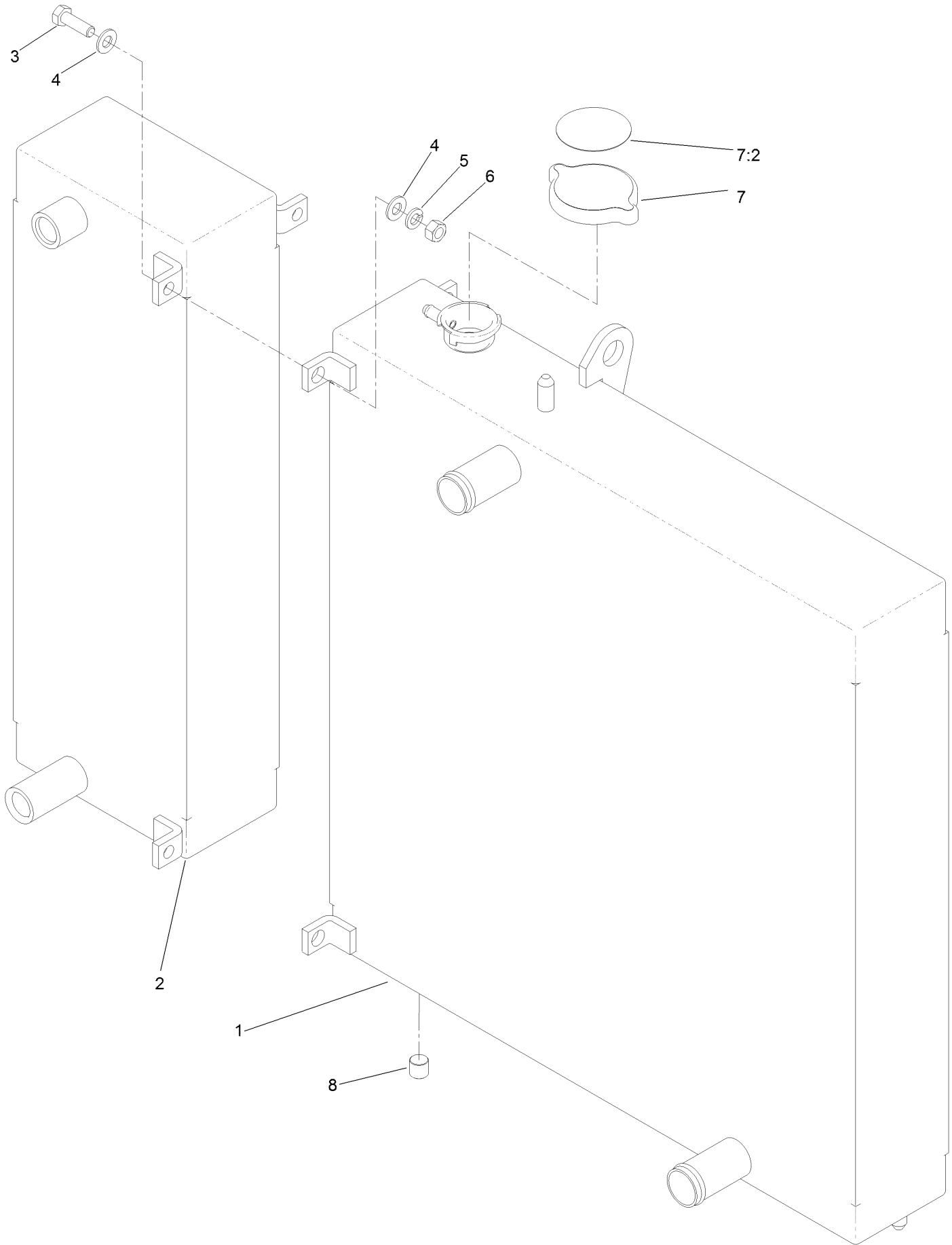
# Cooling Assembly



## Cooling Assembly (continued)

<i>Ref.</i>	<i>Part Number</i>	<i>Qty.</i>	<i>Description</i>	<i>Ref.</i>	<i>Part Number</i>	<i>Qty.</i>	<i>Description</i>
1	121-3330	1	Cooling ASM	21	135-4692	1	Tank-Overflow, W/Cap
2	126-9026-03	1	Support-Radiator, LH	22	126-9178-03	1	Bracket-Bottle
3	126-9028-03	1	Support-Radiator, RH	23	109-0284	1	Hose-Fuel Line 29"
4	119-1422	3	Mount-Isolator	24	3230-6	2	Bolt-Carriage 3/16-18 X 2
5	120-0068-03	1	Bracket-Cooling, Top	25	126-6781-03	1	Bracket-Bulkhead
6	119-1427	2	Seal-Bulb	26	32144-70	2	Screw-HWH 5/16-18 X 3/4 Tf
7	119-1426	2	Seal-Bulb	27	126-6847	2	Seal-Bulb
8	121-3322	1	Hose-Radiator, Lower	28	237-124	1	Grommet
9	121-3321	1	Hose-Radiator, Upper	29	110-4103	1	Hose-Fuel
10	2412-34	3	Clamp-Hose	30	32180-030	2	Clip-Tie
11	2412-130	1	Clamp-Hose	31	340-98	2	Fitting-Elbow, 90 DEG
12	121-3311	1	Shroud-Bottom	31:1	237-79	1	O-Ring
13	121-3312	1	Shroud-Top	31:2	237-30	1	O-Ring
14	117-2382	2	Plug-Plastic	32	126-8690	1	Hydraulic Tube ASM
15	3234-29	2	Screw-HH Flg 5/16-18 X 1	33	126-8691	1	Hydraulic Tube ASM
16	104-8300	13	Nut-Nyloc 5/16-18 Flg	34	340-127	2	Nut-Bulkhead
17	107069	4	Nut-Retainer-Panel 1/4-20	35	135-0641	1	Clamp-Twin
18	32105-15	4	Screw-Machine 1/4-20 X 3/4	36	321-13	1	Screw-HH 1/4-20 X 1 3/8
19	3230-23	9	Bolt-Carriage 5/16-18 X 3/4 Short Neck	37	104-7201	1	Nut-Nyloc 1/4-20 Flg
20	2412-98	3	Clamp-Hose	38	135-4693	1	Cap-W/Tether

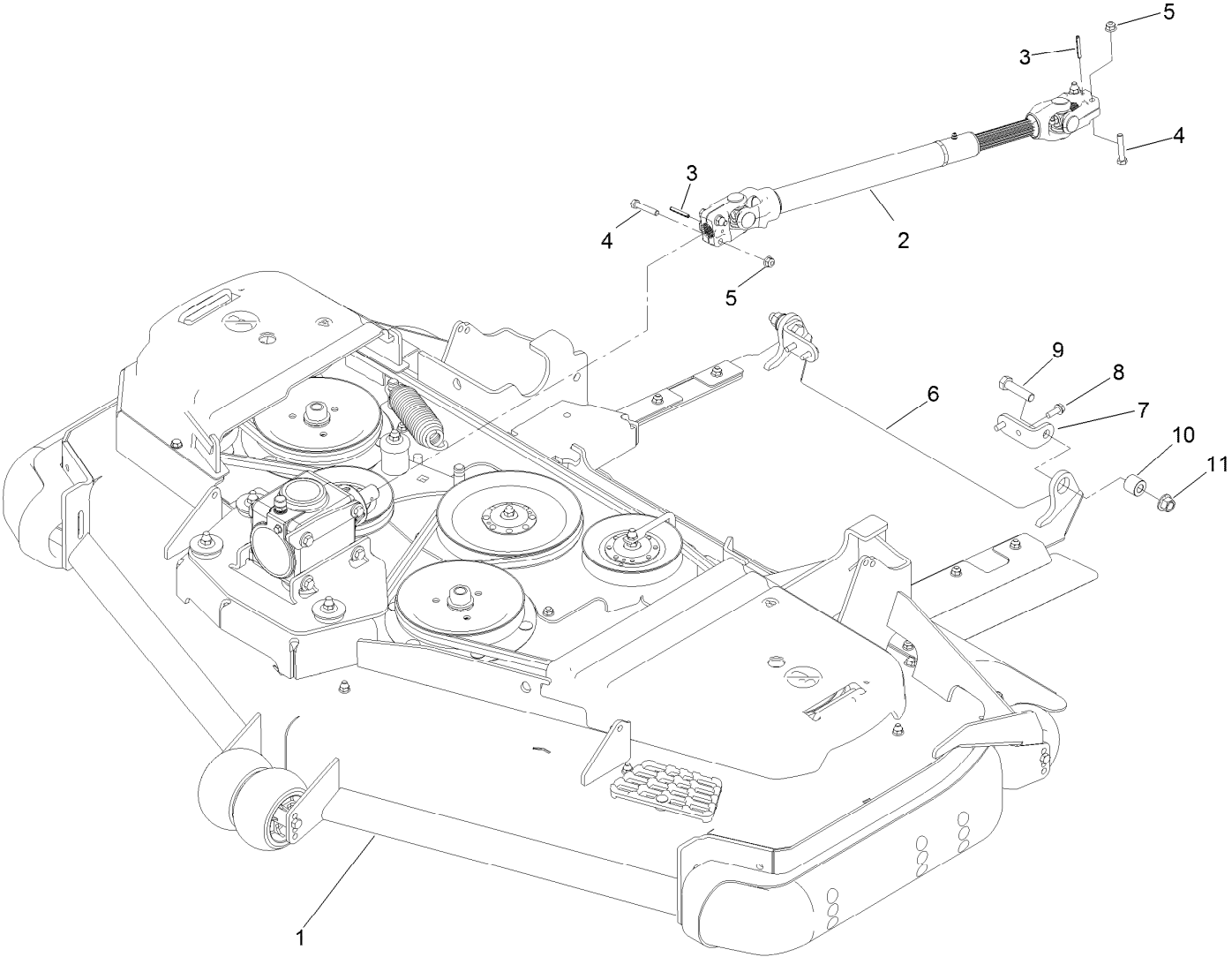
# Cooling Assembly No. 121-3330



## Cooling Assembly No. 121-3330 (continued)

<i>Ref.</i>	<i>Part Number</i>	<i>Qty.</i>	<i>Description</i>	<i>Ref.</i>	<i>Part Number</i>	<i>Qty.</i>	<i>Description</i>
1	121-3328	1	Radiator	6	3217-6	3	Nut-Hex
2	121-3329	1	Oil Cooler	7	119-1430	1	Radiator Cap ASM
3	322-5	3	Screw-HH	7:2	117-3276	1	Decal-Danger
4	3256-23	6	Washer-Plain	8	99-8551	1	Plug-Pipe
5	3253-4	3	Washer-Lock				

# Deck and Driveshaft Assembly



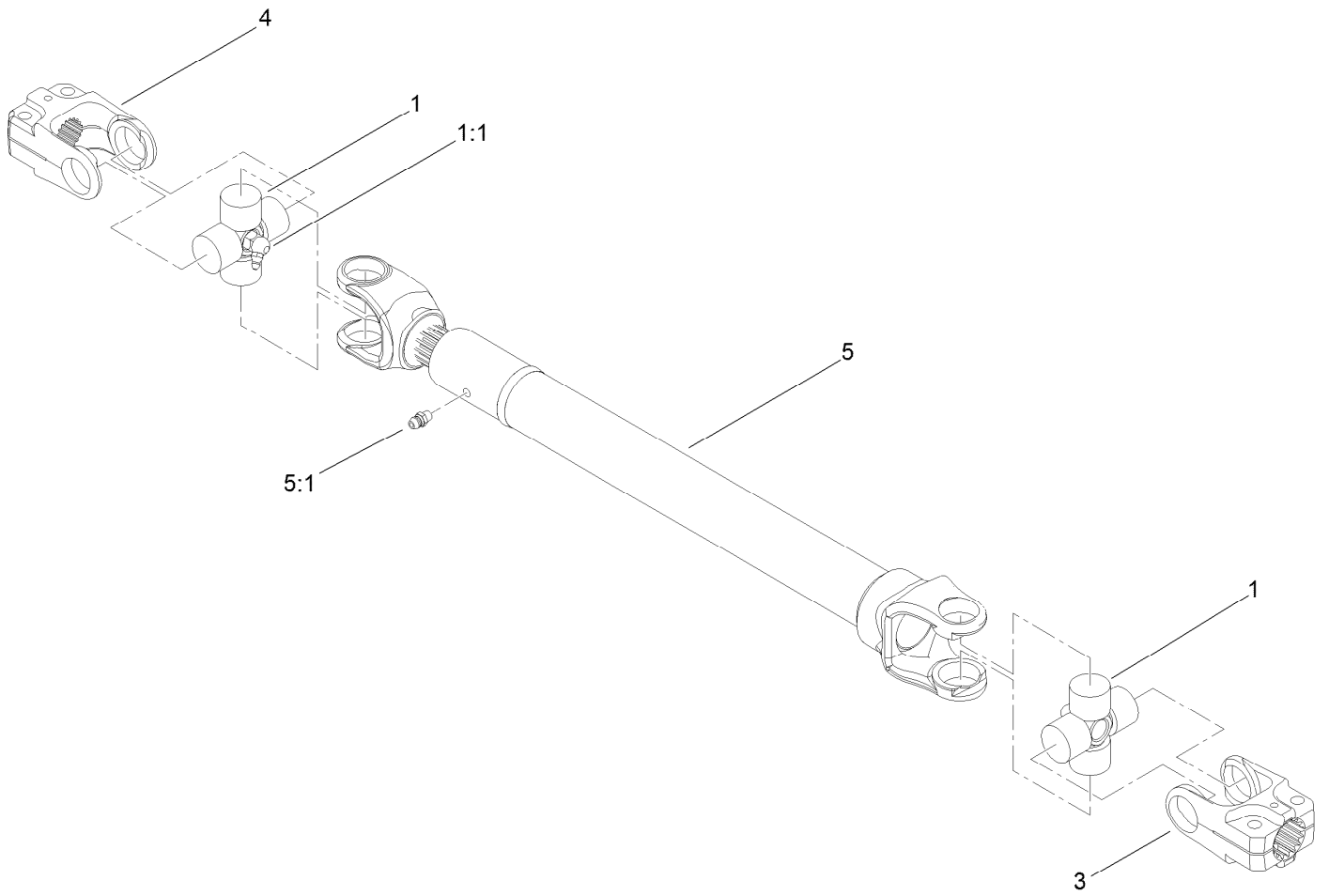


## Deck and Driveshaft Assembly (continued)

<i>Ref.</i>	<i>Part Number</i>	<i>Qty.</i>	<i>Description</i>	<i>Ref.</i>	<i>Part Number</i>	<i>Qty.</i>	<i>Description</i>
1		1	Deck ASM-60Rd ●	7	126-2793-03	2	Bracket-Discharge
2	110-3575	1	Driveshaft ASM	8	32144-41	4	Screw-Taptite
3	32121-34	2	Pin-Roll	9	325-8	2	Screw-HH
4	322-9	4	Screw-HH	10	126-1705	2	Bushing-Sleeve
5	104-8300	4	Nut-HF, NI	11	99-5107	2	Nut-Lock
6	126-3317	1	Discharge Tunnel ASM				

● Not serviced separately

# Driveshaft Assembly No. 110-3575

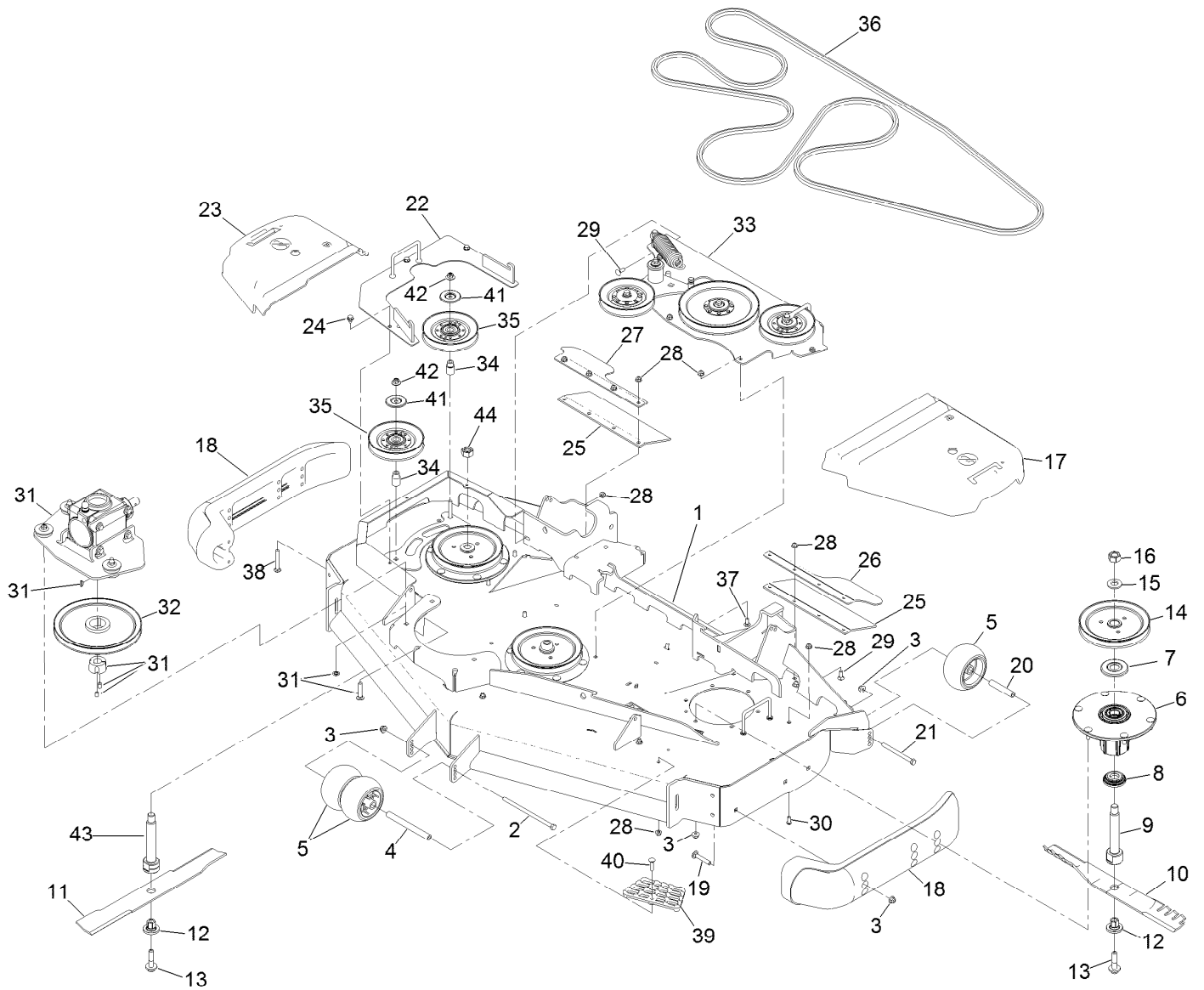


## Driveshaft Assembly No. 110-3575 (continued)

<i>Ref.</i>	<i>Part Number</i>	<i>Qty.</i>	<i>Description</i>	<i>Ref.</i>	<i>Part Number</i>	<i>Qty.</i>	<i>Description</i>
1	112-1687	2	Cross And Bearing Kit	4	54-9090	1	Yoke-End
1:1	62-3820	1	Fitting-Grease	5		1	Tube-Yoke, Slip ●
3	54-9040	1	Yoke-End	5:1	302-22	1	Fitting-Grease

● Not serviced separately

# Deck Assembly

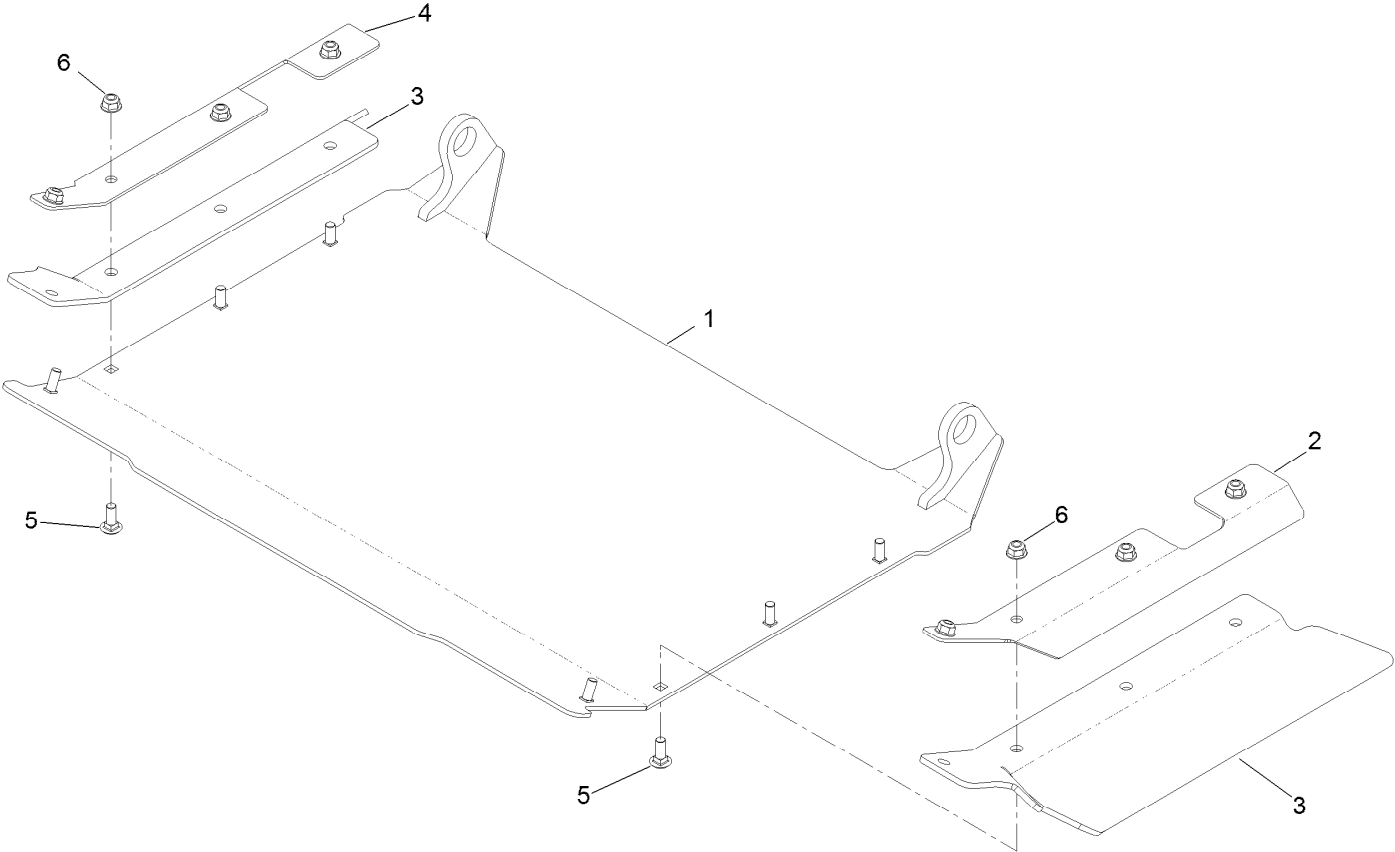


## Deck Assembly (continued)

<i>Ref.</i>	<i>Part Number</i>	<i>Qty.</i>	<i>Description</i>	<i>Ref.</i>	<i>Part Number</i>	<i>Qty.</i>	<i>Description</i>
1	140-0965	1	Deck Decal ASM	24	9266934	3	Screw
2	108-5388	1	Screw-HH	25	116-8191	2	Guard-Tire
3	104-8301	27	Nut-HF, NI	26	135-0401-01	1	Support-Flap, Outer (LH)
4	98-5967	1	Spacer-Wheel	27	135-0329-01	1	Support-Flap, Outer (RH)
5	1-603299	4	Roller-Scalp, Anti	28	104-8300	21	Nut-HF, NI
6	137-9780	3	Spindle ASM	29	3230-16	9	Screw-CARR
7	103-1330	3	Guard-Bearing, Top	30	3274-55	6	Screw-HSBH
8	137-9784	3	Guard-Bottom	31		1	Gearbox ASM ●
9	138-6045	2	Shaft-Spindle	32	126-2822	1	Pulley
10	140-1241	2	Blade-20.50 Atomic	33	126-3271	1	Idler Mount ASM
11	140-1244	1	Blade-20.50 Cr Low Flow	34	126-3312	2	Standoff-Idler
12	137-9787	3	Bushing-Hex	35	126-8766	2	Idler V
13	109-9220	3	Screw-Sems	36	126-2560	1	Belt-Bb
14	138-6059	3	Sheave-Drive, Blade	37	3230-23	5	Bolt-CARR
15	103-2802	3	Washer	38	3231-31	2	Screw-CARR
16	116-7306	2	Nut-Hex	39	126-4781-03	1	Step-Deck
17	109-6938	1	Cover-Belt, LH	40	3230-3	1	Screw-CARR
18	112-1479	2	Skid-Bumper, Deck	41	126-8043	2	Shield-Dust
19	3231-7	6	Screw-CARR	42	109-6658	2	Nut-Flange, NI
20	98-7912	2	Tube-Spanner	43	140-1188	1	Shaft-Spindle, Int. Hex LH Thd
21	323-23	2	Screw-HH	44	140-1230	1	Nut-Hex,LH,Lock
22	116-8195-01	1	Cover-Drive Reverse				
23	116-8190	1	Cover-Belt, RH				

● Not serviced separately

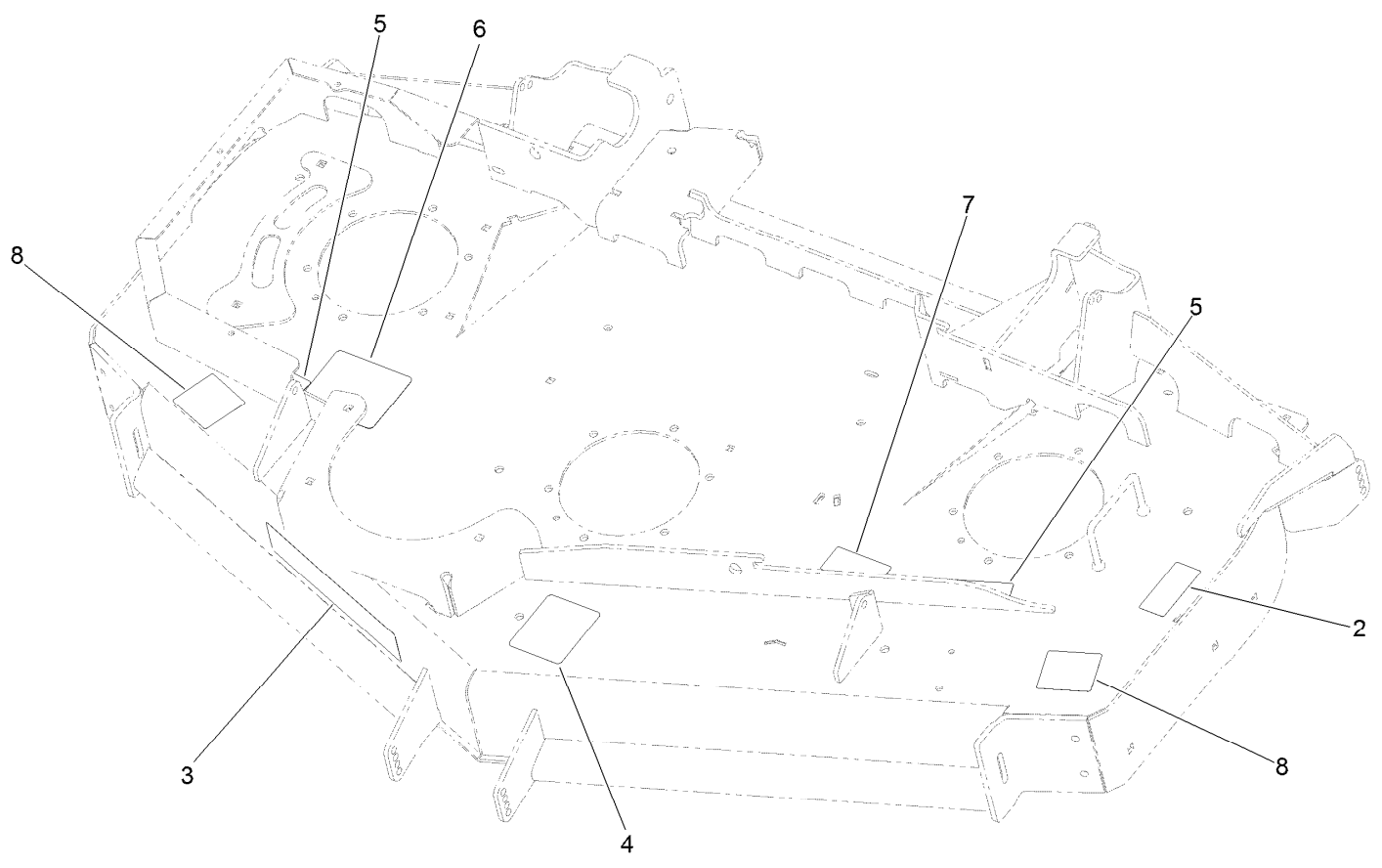
# Discharge Tunnel Assembly No. 126-3317



# Dischage Tunnel Assembly No. 126-3317 (continued)

<i>Ref.</i>	<i>Part Number</i>	<i>Qty.</i>	<i>Description</i>	<i>Ref.</i>	<i>Part Number</i>	<i>Qty.</i>	<i>Description</i>
1	126-3318-03	1	Tunnel-Discharge	4	126-2798-03	1	Bracket-Flap, RH
2	126-2797-03	1	Bracket-Flap, LH	5	3230-16	8	Screw-CARR
3	126-2799	2	Flap-Rubber	6	104-8300	8	Nut-HF, NI

# Deck Decal Assembly No. 140-0965

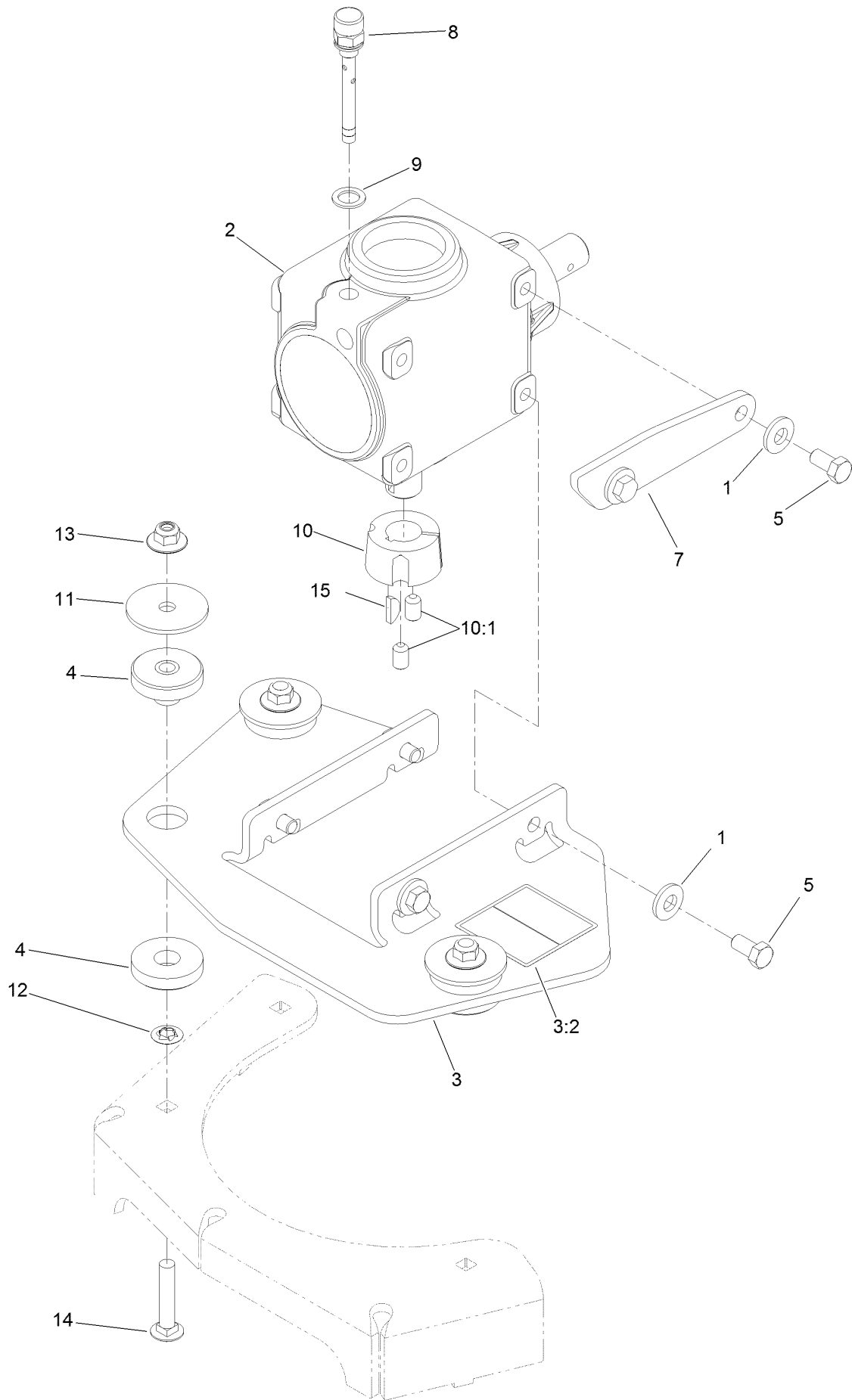




## Deck Decal Assembly No. 140-0965 (continued)

<i>Ref.</i>	<i>Part Number</i>	<i>Qty.</i>	<i>Description</i>	<i>Ref.</i>	<i>Part Number</i>	<i>Qty.</i>	<i>Description</i>
2	116-8283	1	Decal-Torque, Bolt	6	140-1198	1	Decal-Spindle Cr, CE
3	107-1619	1	Decal	7	126-9280	1	Decal-Belt Routing Rear
4	109-6036	1	Decal-Roller, Anti-Scalp	8	135-0664	2	Decal-Danger, Thrown Object
5	112-9028	2	Decal-Cover, Missing				

# Gear Box and Mount Assembly

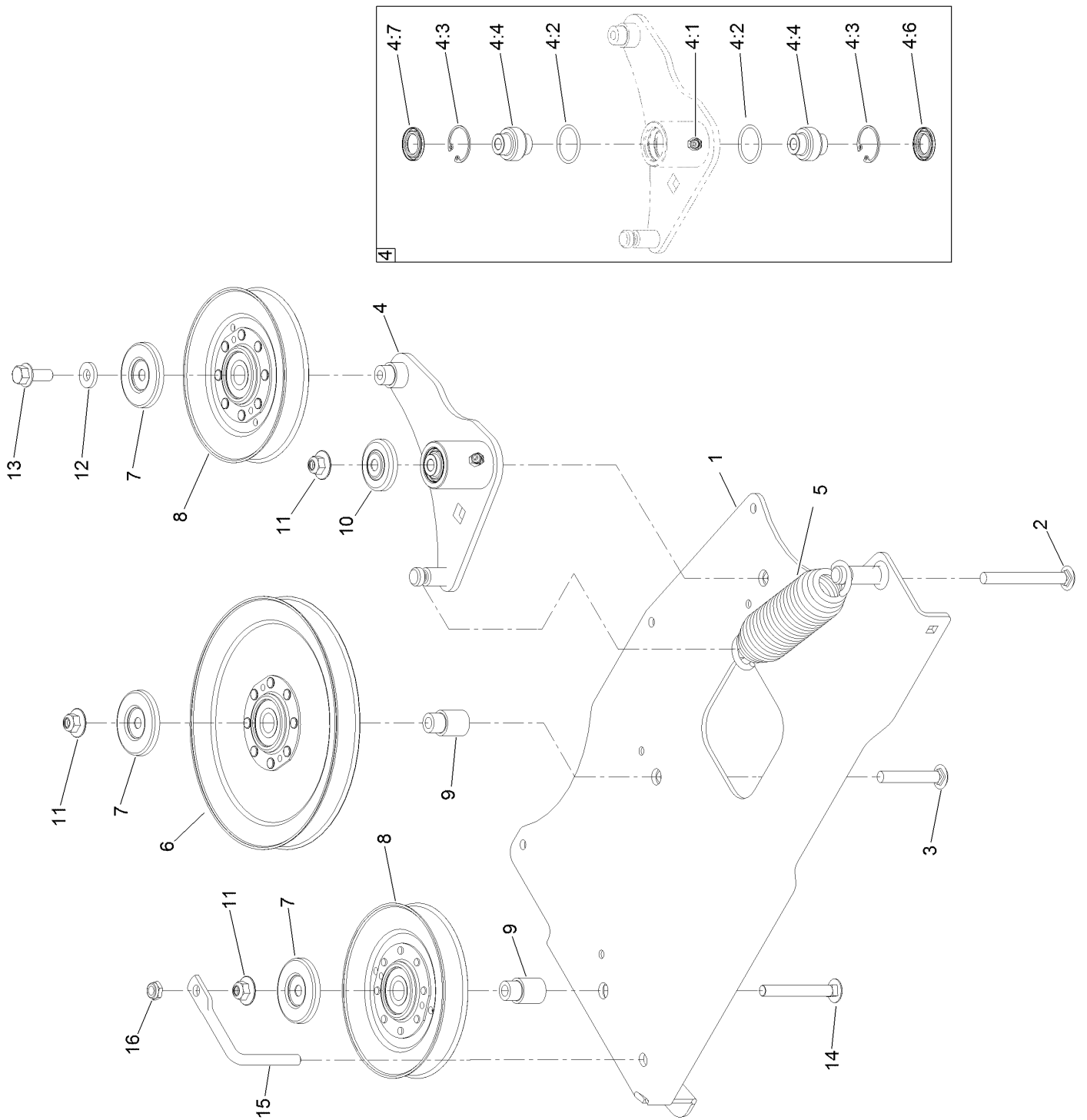


## Gear Box and Mount Assembly (continued)

<i>Ref.</i>	<i>Part Number</i>	<i>Qty.</i>	<i>Description</i>	<i>Ref.</i>	<i>Part Number</i>	<i>Qty.</i>	<i>Description</i>
1	98-5975	6	Washer-Spring Disc 3/8	8	130-8661	1	Plug-Breather
2		1	Gearbox ASM ●	9	130-4899	1	Washer
2	130-8659	1	Gearbox ASM	10	23-1640	1	Bushing-Taperlock
3	135-0874	1	Mount-Gearbox	10:1	3247-4	2	Setscrew-HSH 3/8-16 X 5/8
3:2	135-0679	1	Decal-Hazard, Entanglement	11	83-1040	3	Washer
4	126-3074	3	Mount-ISO	12	107-3154	3	Nut-Push 3/8-16
5	323-4	6	Screw-HH 3/8-16 X 3/4	13	109-6658	3	Nut-Nyloc 3/8-16 Flg
7	126-3544	1	Stop-Gearbox	14	3231-6	3	Bolt-Carriage 3/8-16 X 2
				15	3257-5	1	Key-Woodruff #9 3/4 X 3/16

● Not serviced separately

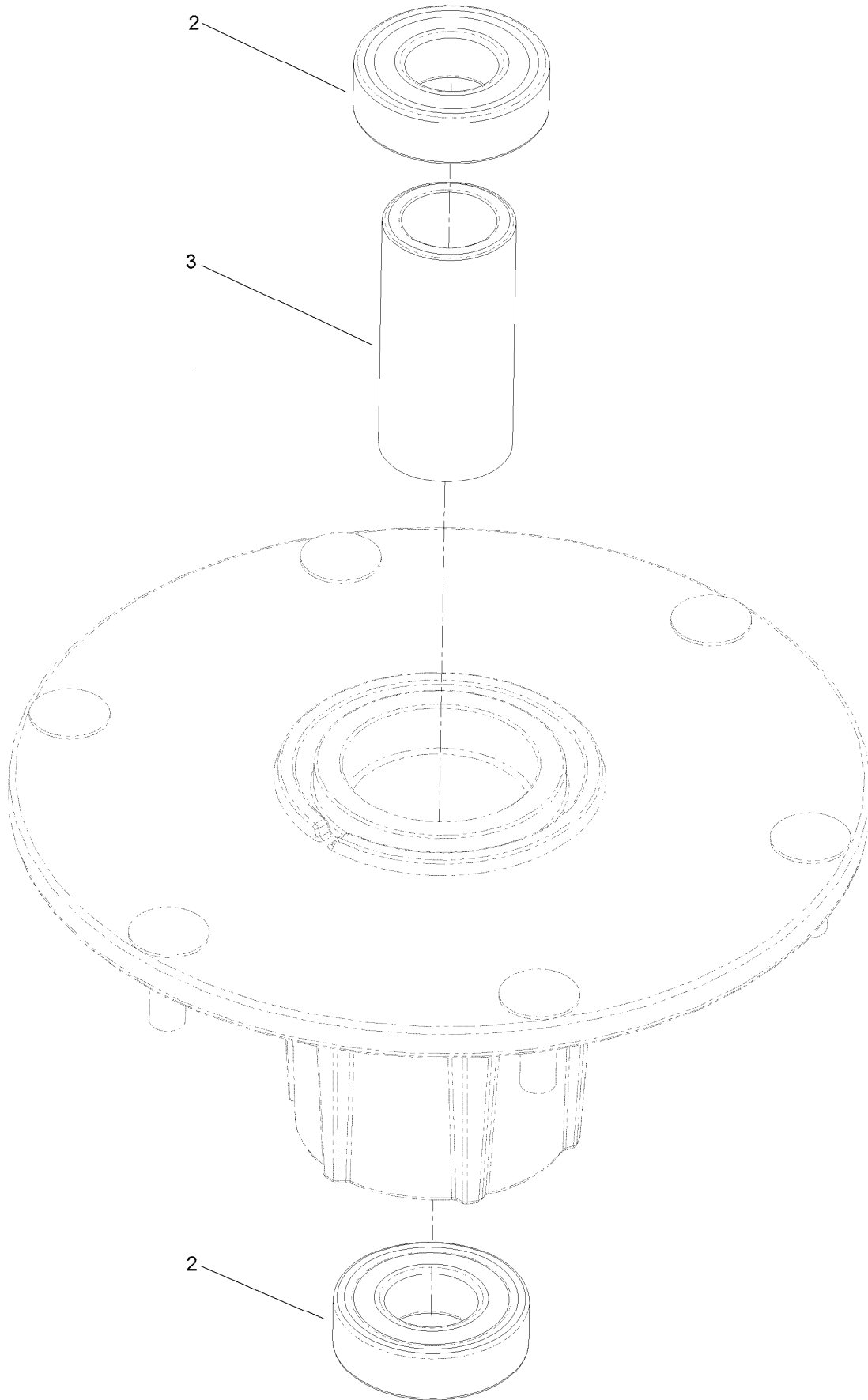
# Idler Mount Assembly No. 126-3271



## Idler Mount Assembly No. 126-3271 (continued)

<i>Ref.</i>	<i>Part Number</i>	<i>Qty.</i>	<i>Description</i>	<i>Ref.</i>	<i>Part Number</i>	<i>Qty.</i>	<i>Description</i>
1	126-3272-01	1	Mount-Idler	6	126-7460	1	Idler-V
2	116-1502	1	Bolt-Shoulder, Carriage	7	126-8043	3	Shield-Dust
3	3231-44	1	Screw-CARR	8	126-8766	2	Idler V
4	126-2967	1	Idler Arm ASM	9	126-3312	2	Standoff-Idler
4:1	302-11	1	Fitting-Lube, 45 DEG	10	103-2916	1	Guard-Top
4:2	106-7159	2	O-Ring	11	109-6658	3	Nut-Flange, NI
4:3	32120-10	2	Ring-Snap	12	43-0940	1	Spacer
4:4	103-3504	2	Bearing-Spherical	13	3234-11	1	Screw-HHF
4:6	103-3505	1	Seal-Lip, Double	14	3231-10	1	Screw-CARR
4:7	103-3506	1	Seal-Lip, Single	15	135-0362	1	Guide-Belt
5	116-6317	1	Spring-Extension	16	3296-59	1	Nut-Lock, NI

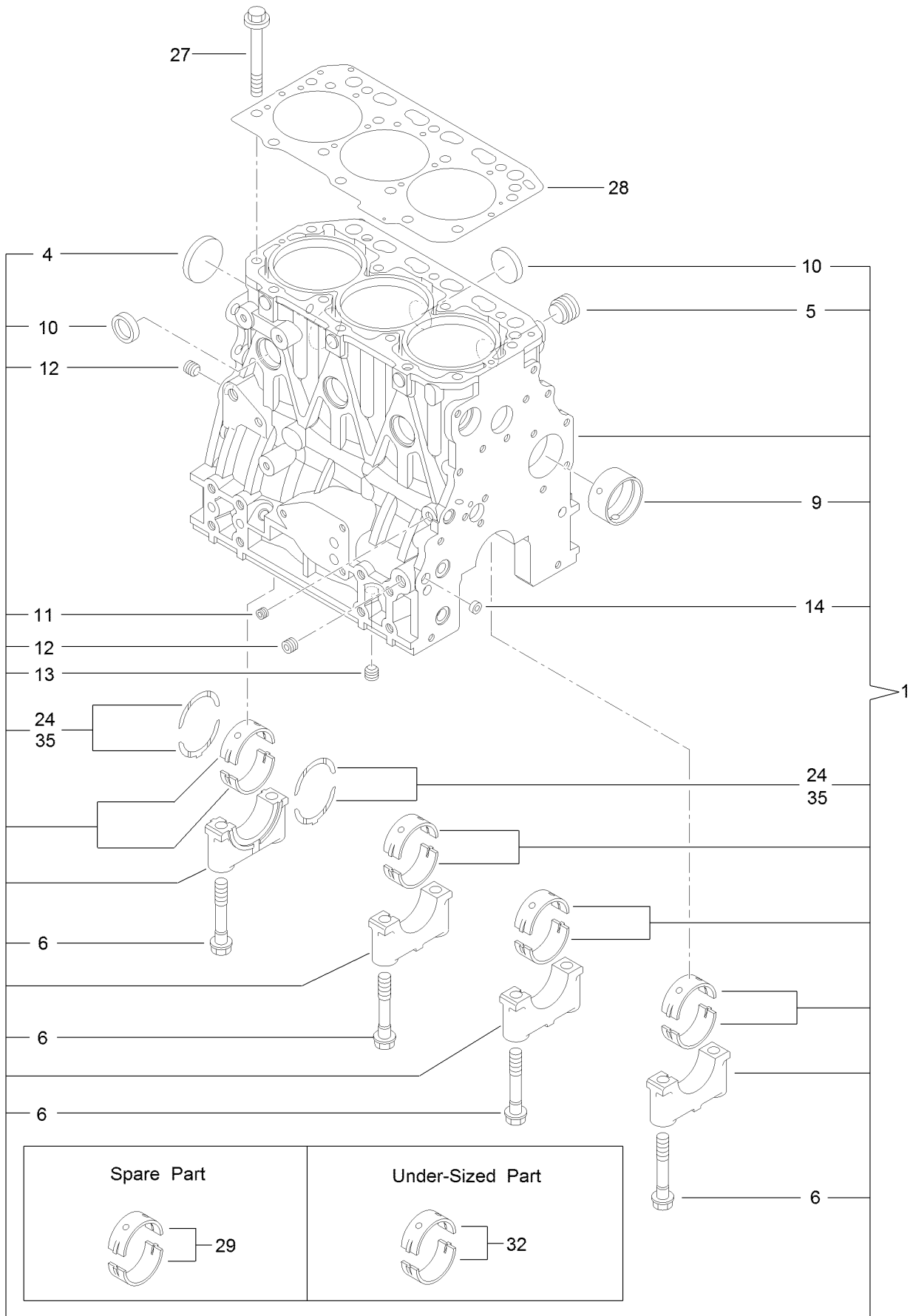
# Spindle Assembly No. 137-9780



## Spindle Assembly No. 137-9780 (continued)

<i>Ref.</i>	<i>Part Number</i>	<i>Qty.</i>	<i>Description</i>
2	116-0720	2	Bearing-Ball
3	138-6042	1	Spacer-Bearing

# Cylinder Block Assembly

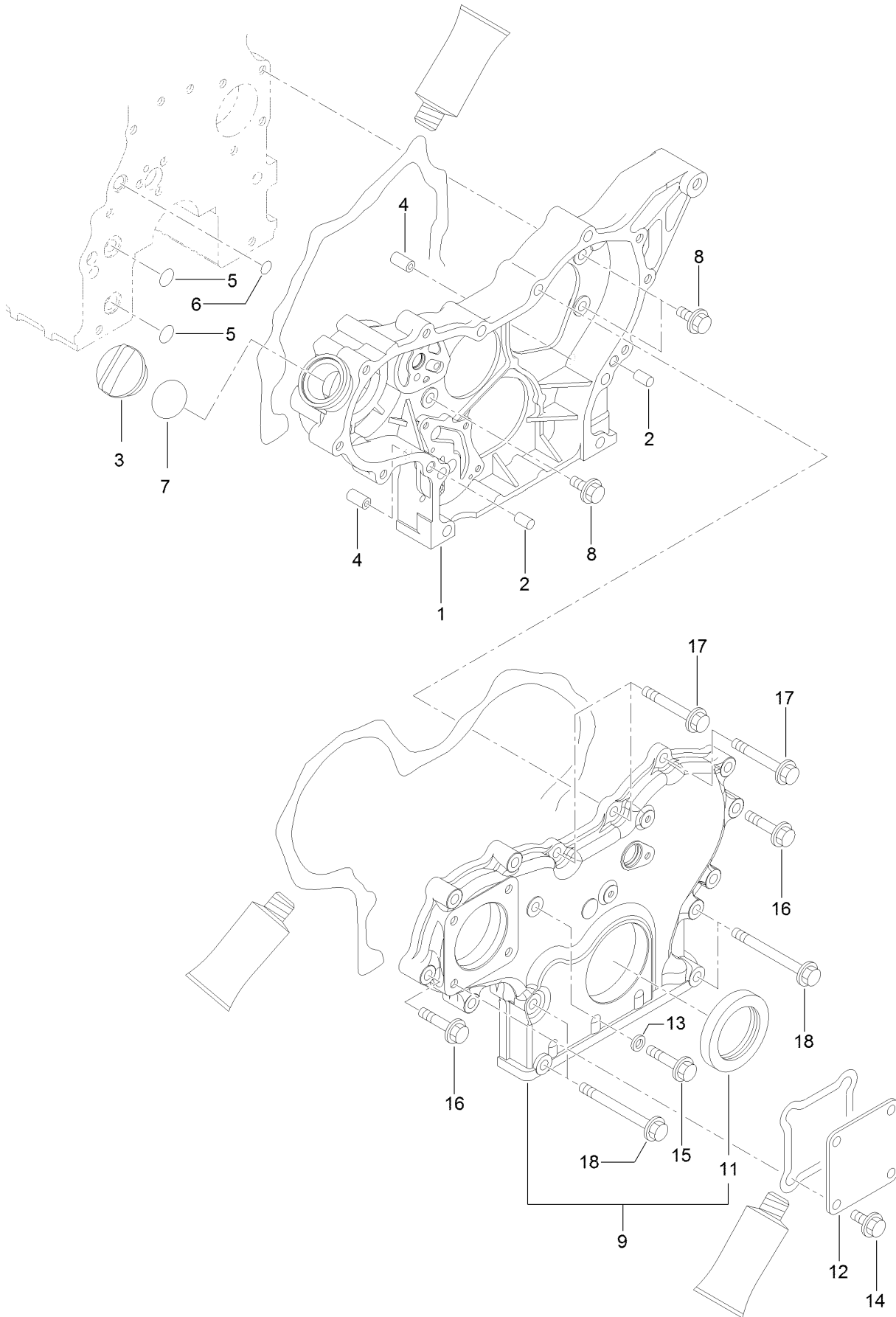




## Cylinder Block Assembly (continued)

<i>Ref.</i>	<i>Part Number</i>	<i>Qty.</i>	<i>Description</i>	<i>Ref.</i>	<i>Part Number</i>	<i>Qty.</i>	<i>Description</i>
1	127-4717	1	Cylinder Block ASM	13	125-6973	1	Plug
4	125-6980	1	Plug	14	125-7237	1	Plug
5	125-7170	1	Plug	24	125-7010	2	Metal-Thrust
6	125-7007	8	Bolt	27	125-7006	14	Bolt
9	125-7108	1	Bushing	28	127-4716	1	Head Gasket ASM
10	125-7239	6	Plug	29	125-6981	4	Metal-Main
11	125-6969	1	Plug	32	125-7009	4	Metal-Main (0.25)
12	125-6973	2	Plug	35	125-7011	1	Metal-Thrust (0.25)

# Gear Housing Assembly



## Gear Housing Assembly (continued)

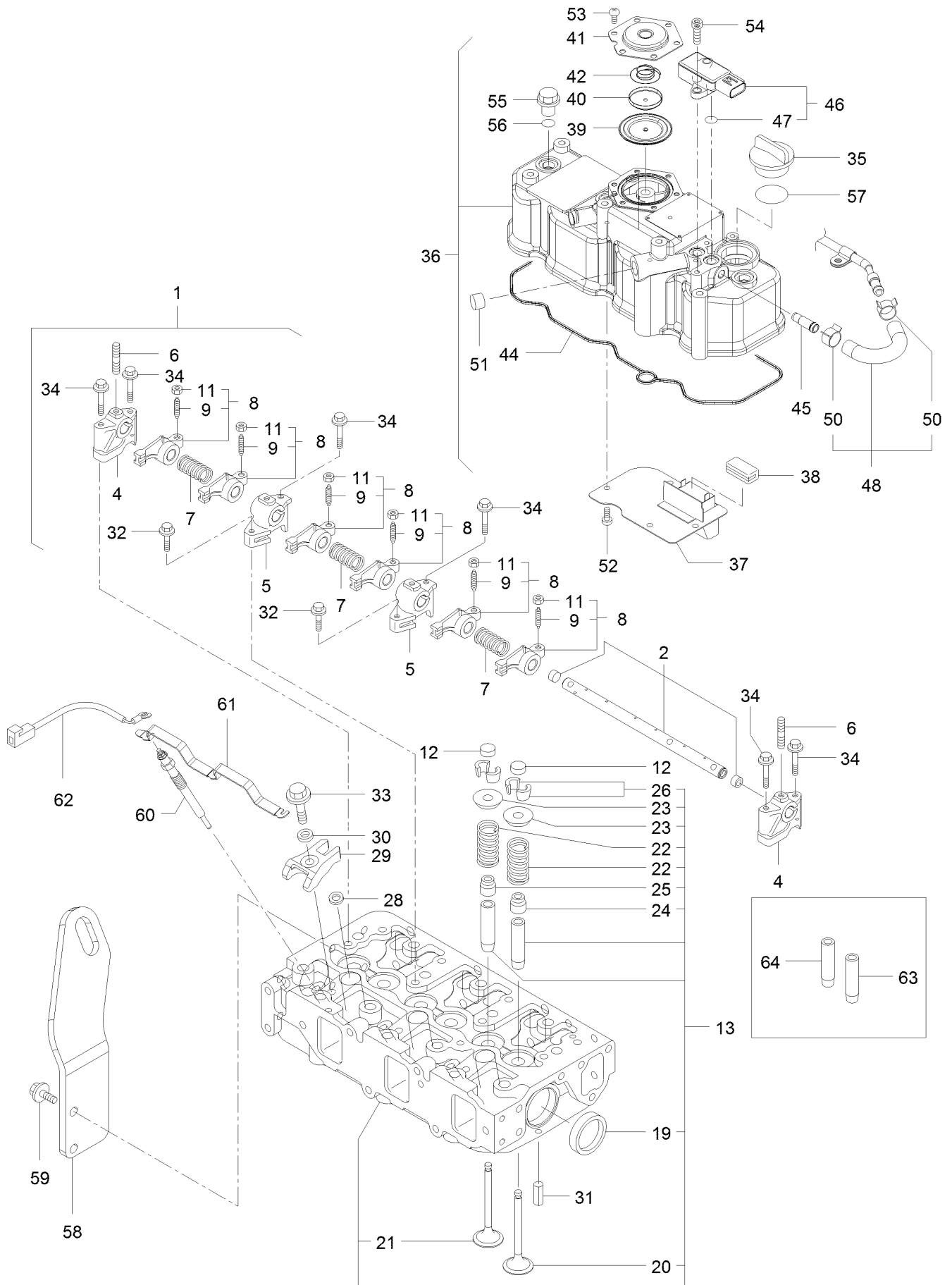
<i>Ref.</i>	<i>Part Number</i>	<i>Qty.</i>	<i>Description</i>	<i>Ref.</i>	<i>Part Number</i>	<i>Qty.</i>	<i>Description</i>
1	127-3023	1	Case-Gear	11	125-6944	1	Seal-Oil
2	125-6995	2	Pin	12	125-6977	1	Cover
3	125-6972	1	Cover-Filler	13	125-7174	1	Washer-Seal
4	125-7107	2	Pipe	14	100-6928	4	Bolt
5	125-6909	2	O-Ring	15	125-7217	1	Bolt
6	127-2973	1	O-Ring	16	125-7218	7	Bolt
7	125-7197	1	O-Ring	17	125-7222	3	Bolt
8	100-6928	3	Bolt	18	125-7224	4	Bolt
9	127-3024	1	Gearcase Cover ASM				



## Flywheel Housing and Oil Sump Assembly (continued)

<i>Ref.</i>	<i>Part Number</i>	<i>Qty.</i>	<i>Description</i>	<i>Ref.</i>	<i>Part Number</i>	<i>Qty.</i>	<i>Description</i>
1	125-6995	2	Pin	12	125-7215	2	Bolt
2	127-4758	1	Housing-Flywheel	13	125-7219	16	Bolt
3	125-6910	1	Cap	14	125-7220	4	Bolt
4	125-7226	6	Bolt	15	125-6995	2	Pin
5	125-7227	4	Bolt	16	135-4011	1	Case ASM
6	135-4010	1	Oil Pan ASM	18	125-7106	1	Seal-Oil
7	125-6912	1	Plug-Drain	19	125-7045	6	Bolt
9	125-7177	1	Washer-Seal	20	125-7217	3	Bolt
10	127-3756	1	Spacer	21	127-3062	1	Sensor-Rev, Flywheel
11	100-6928	4	Bolt	22	127-3184	1	Bolt

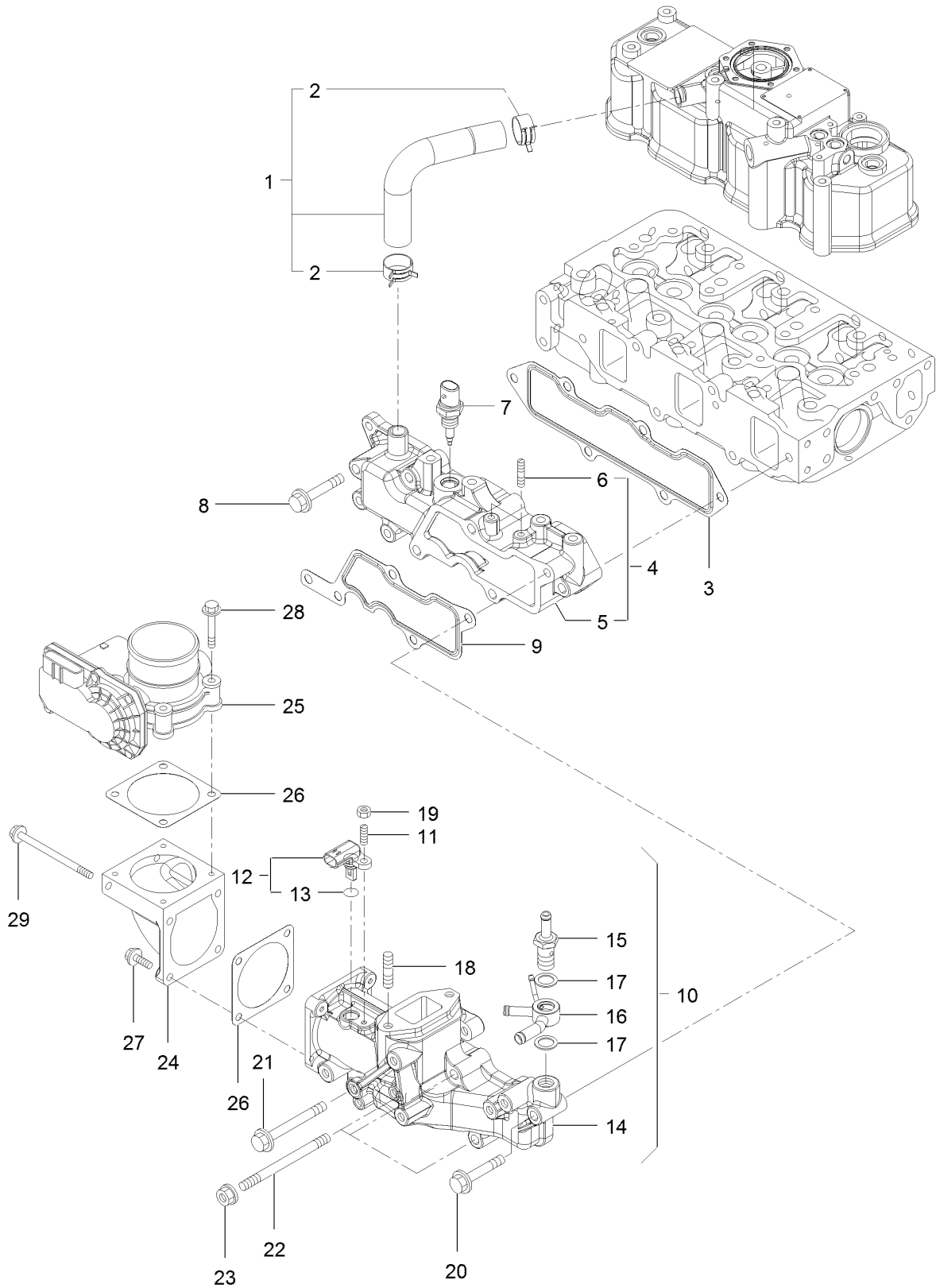
# Cylinder Head and Cover Assembly



## Cylinder Head and Cover Assembly (continued)

<i>Ref.</i>	<i>Part Number</i>	<i>Qty.</i>	<i>Description</i>	<i>Ref.</i>	<i>Part Number</i>	<i>Qty.</i>	<i>Description</i>
1	127-3757	1	Shaft ASM	36	127-4719	1	Cylinder Head Cover ASM
2	127-3758	1	Shaft	37	127-2988	1	Plate
4	127-2974	2	Support	38	125-7012	1	Baffle
5	127-2975	2	Support	39	125-6959	1	Diaphragm
6	135-4012	3	Bolt,Stud	40	125-6960	1	Plate
7	127-2995	3	Spring	41	125-6961	1	Plate-Breather
8	127-2989	6	Arm-Rocker	42	125-6962	1	Spring-Diaphragm
9	125-7013	6	Screw-Adjust, Valve	44	127-3856	1	Gasket-Valve Cover
11	125-7014	6	Nut	45	127-3026	1	Joint
12	127-2996	6	Cap-Valve	46	127-3029	1	Sensor-Pressure
13	127-2990	3	Valve	47	127-3032	2	O Ring-Sensor, Pressure
19	127-4720	1	Cylinder Head ASM	48	127-3040	1	Hose ASM
20	127-4710	3	Valve	50	127-3041	2	Clip-Hose
21	127-3012	6	Spring	51	125-6913	1	Plug
22	127-3013	6	Retainer-Spring	52	125-7186	4	Screw
23	127-2986	3	Seal-Stem, Valve	53	125-7186	6	Screw
24	127-3027	3	Seal-Stem, Valve	54	127-3184	2	Bolt
25	125-7240	2	Plug	55	125-6974	3	Knob
26	127-3186	6	Pin-Cotter	56	93-0418	3	O-Ring
28	127-3021	3	Gasket-Injector	57	125-7197	1	O-Ring
29	127-3028	3	Retainer-Injector	58	127-4718	1	Lifter-Engine
30	127-2980	3	Washer-Injector	59	100-6928	2	Bolt
31	125-7184	2	Pin-Spring	60	127-2991	3	Plug-Glow
32	125-7215	2	Bolt	61	127-3768	1	Connector-Plug, Glow
33	125-7217	3	Bolt	62	131-2704	1	Harness-Wire
34	125-7220	6	Bolt	63	127-2979	3	Guide
35	125-6972	1	Cover-Filler	64	127-2997	3	Guide-Valve

# Suction Manifold Assembly

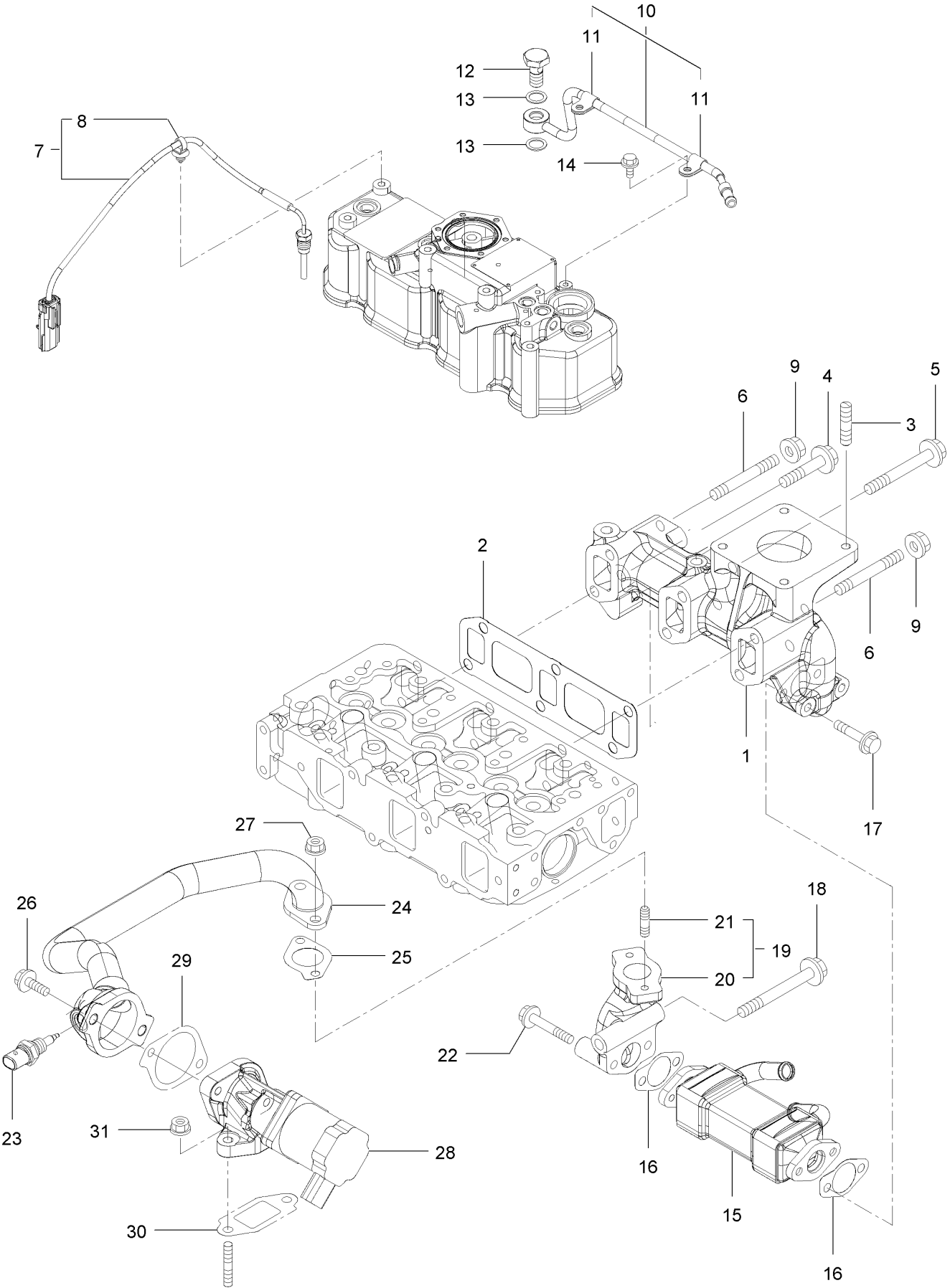




## Suction Manifold Assembly (continued)

<i>Ref.</i>	<i>Part Number</i>	<i>Qty.</i>	<i>Description</i>	<i>Ref.</i>	<i>Part Number</i>	<i>Qty.</i>	<i>Description</i>
1	127-4704	1	Pipe	16	127-3081	1	Joint-Hose
2	125-7040	2	Clip-Hose	17	127-3166	2	Washer-Seal
3	127-3857	1	Gasket-Manifold, Intake	18	127-3181	2	Stud
4	127-4722	1	Intake Manifold ASM	19	127-4775	1	Nut
5	127-4721	1	Manifold-Intake	20	125-7220	1	Bolt
6	127-3180	2	Stud	21	127-3178	1	Bolt
7	127-3031	1	Sensor-Temp, Air	22	127-3182	3	Stud
8	125-7220	3	Bolt	23	125-7229	3	Nut
9	127-3034	1	Gasket-Collector	24	127-3035	1	Bend-Inlet
10	127-4725	1	Intake Collector ASM	25	127-3036	1	Body-Throttle
11	127-4701	1	Stud	26	127-3037	2	Gasket-Throttle
12	127-3030	1	Sensor-Temp, Air	27	125-7209	2	Bolt
13	127-3033	1	O-Ring	28	125-7211	4	Bolt
14	127-4724	1	Collector-Intake	29	127-3177	2	Bolt
15	127-3080	1	Joint-Hose				

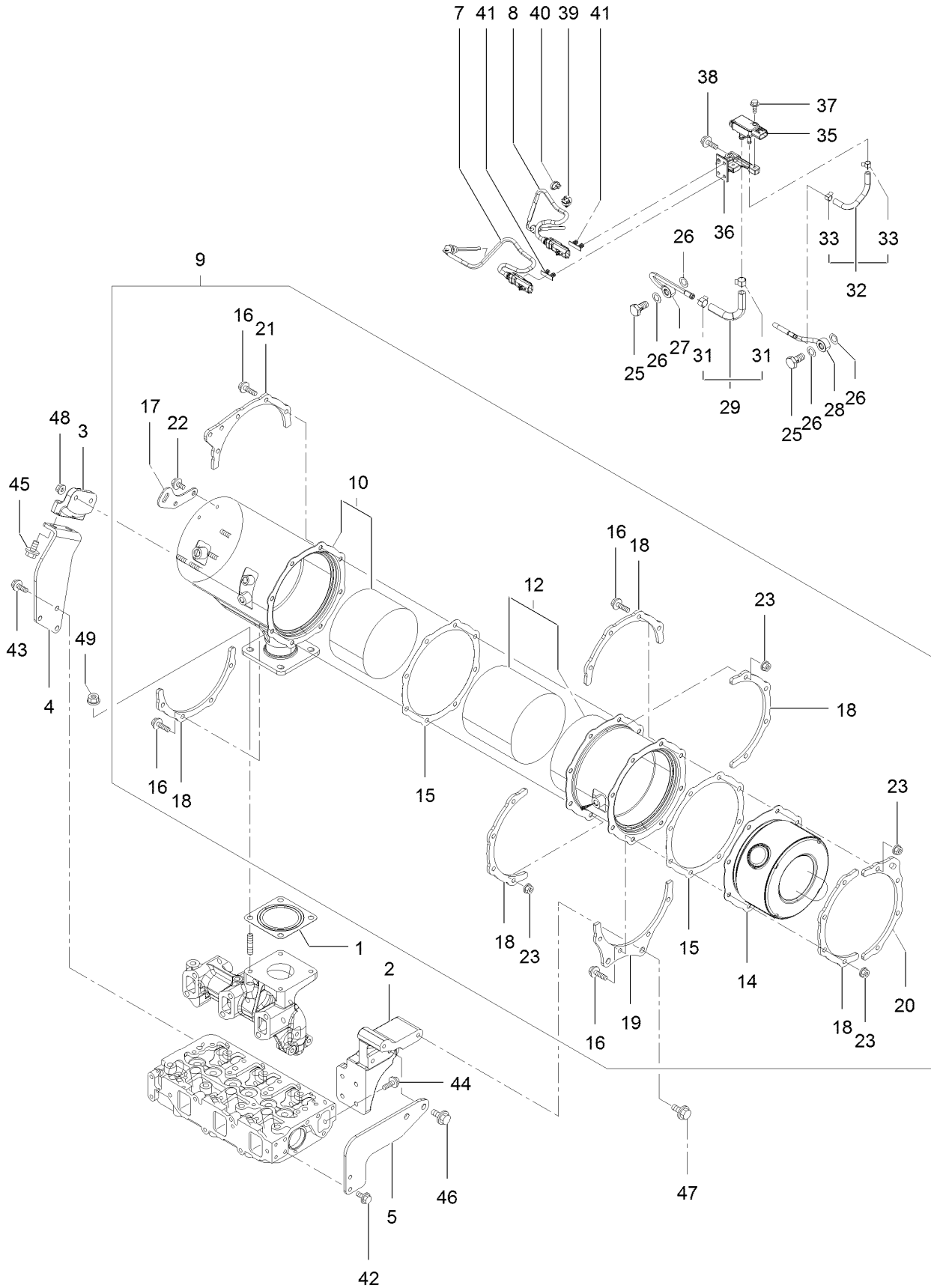
# Exhaust Manifold Assembly



## Exhaust Manifold Assembly (continued)

<i>Ref.</i>	<i>Part Number</i>	<i>Qty.</i>	<i>Description</i>	<i>Ref.</i>	<i>Part Number</i>	<i>Qty.</i>	<i>Description</i>
1	127-4726	1	Manifold-Exhaust	17	135-4015	2	Bolt
2	127-3775	1	Gasket-Manifold, Exhaust	18	135-4016	1	Bolt
3	127-2984	4	Stud	19	127-3048	1	E G R Pipe ASM
4	135-4013	1	Bolt	20	127-3049	1	Pipe-Out, E G R
5	135-4014	3	Bolt	21	125-7043	2	Stud
6	127-4756	2	Stud	22	125-7220	2	Bolt
7	127-4729	1	Sensor-Temp, Exhaust	23	137-5168	1	Sensor-Gas Temp, E G R
8	127-3087	1	Band-Clip	24	127-3780	1	E G R Pipe ASM
9	125-7230	2	Nut	25	127-3016	1	Gasket
10	127-3038	1	Exhaust Pipe ASM	26	125-7215	2	Bolt
11	127-3173	2	Clamp	27	125-7229	2	Nut
12	127-3039	1	Bolt-Joint, Pipe	28	127-3781	1	Valve-E G R
13	127-3174	2	Gasket	29	127-3050	1	Gasket-Intake Valve, E G R
14	125-7206	2	Bolt	30	127-3051	1	Gasket-Out Valve, E G R
15	127-3042	1	Cooler-E G R	31	125-7229	2	Nut
16	127-3043	2	Gasket-Cooler, E G R				

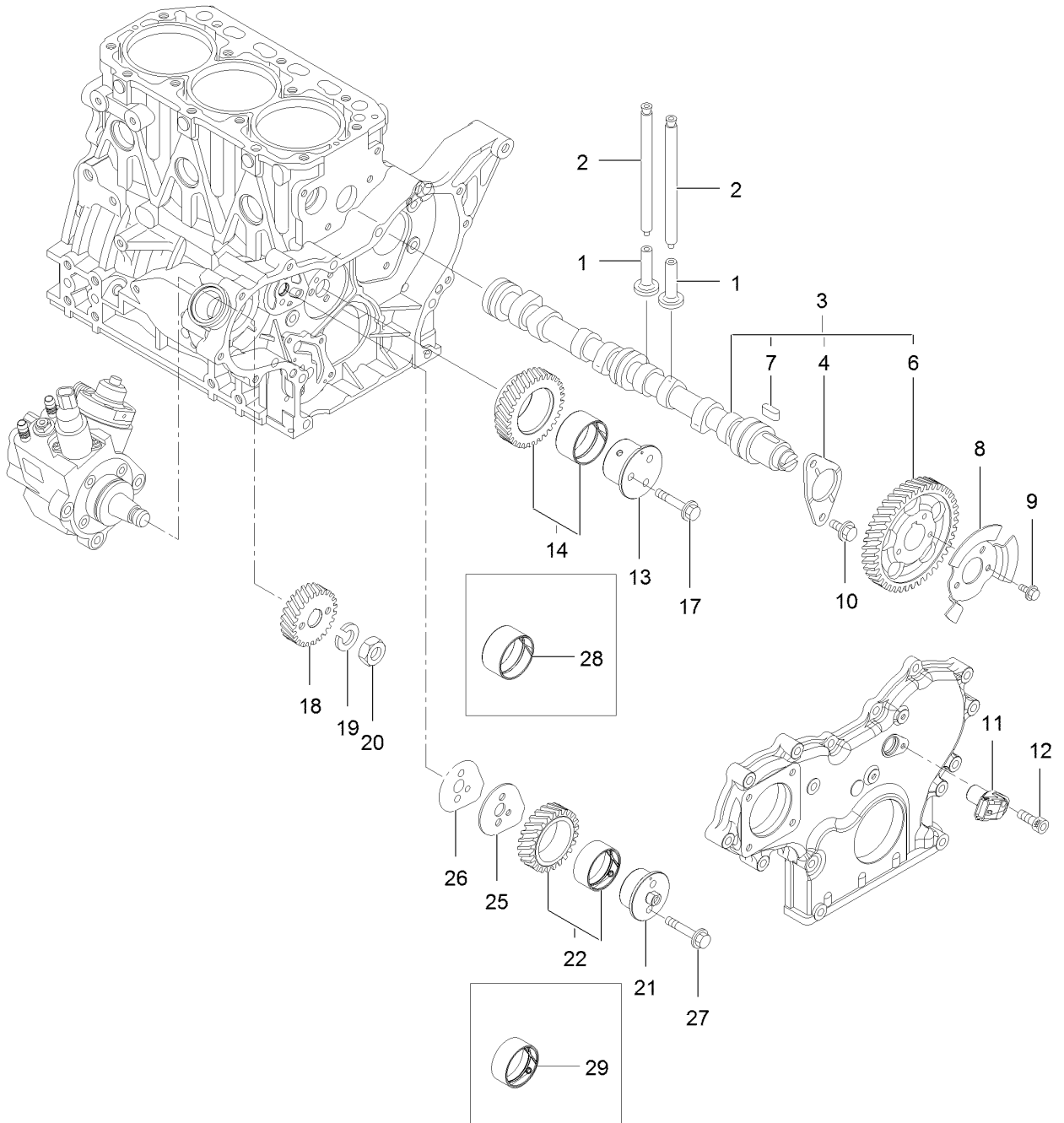
# Diesel Particulate Filter Assembly



## Diesel Particulate Filter Assembly (continued)

<i>Ref.</i>	<i>Part Number</i>	<i>Qty.</i>	<i>Description</i>	<i>Ref.</i>	<i>Part Number</i>	<i>Qty.</i>	<i>Description</i>
1	127-2987	1	Gasket-Silencer	27	127-4744	1	Sensor Pipe ASM
2	127-4738	1	Stay-D P F	28	127-4745	1	Sensor Pipe ASM
3	127-4739	1	Stay-D P F	29	127-4747	1	Exhaust Hose ASM
4	127-4740	1	Stay-D P F	31	127-3057	2	Clip-Hose
5	127-4741	1	Stay-D P F	32	127-4748	1	Exhaust Hose ASM
7	127-4764	1	Sensor-Temp, Exhaust	33	127-3058	2	Clip-Hose
8	127-4765	1	Sensor-Temp, Exhaust	35	127-3060	1	Sensor-Pressure
9	127-4759	1	D P F ASM	36	127-4750	1	Bracket-Sensor
10	127-4732	1	Case-D O C	37	125-7208	2	Bolt
12	127-4734	1	Case-Filter, Soot	38	125-7595	2	Bolt
14	127-3786	1	Silencer-D P F	39	127-3087	1	Band-Clip
15	127-3859	2	Gasket-D P F	40	127-3124	1	Band
16	127-3055	16	Bolt	41	127-3088	2	Clip-Connector
17	127-3788	1	Lifter-D P F	42	100-6928	2	Bolt
18	127-3789	5	Stiffener-D P F, A	43	100-6928	3	Bolt
19	127-4735	1	Stiffener-D P F, B	44	125-7594	4	Bolt
20	127-3792	1	Stiffener-D P F, C	45	127-4773	2	Bolt
21	127-4736	1	Stiffener-D P F, C	46	127-3179	2	Bolt
22	125-7213	2	Bolt	47	127-3179	2	Bolt
23	125-7229	16	Nut	48	127-3179	2	Bolt
25	127-3039	2	Bolt-Joint, Pipe	49	125-7230	4	Nut
26	127-3056	4	Gasket-Sensor				

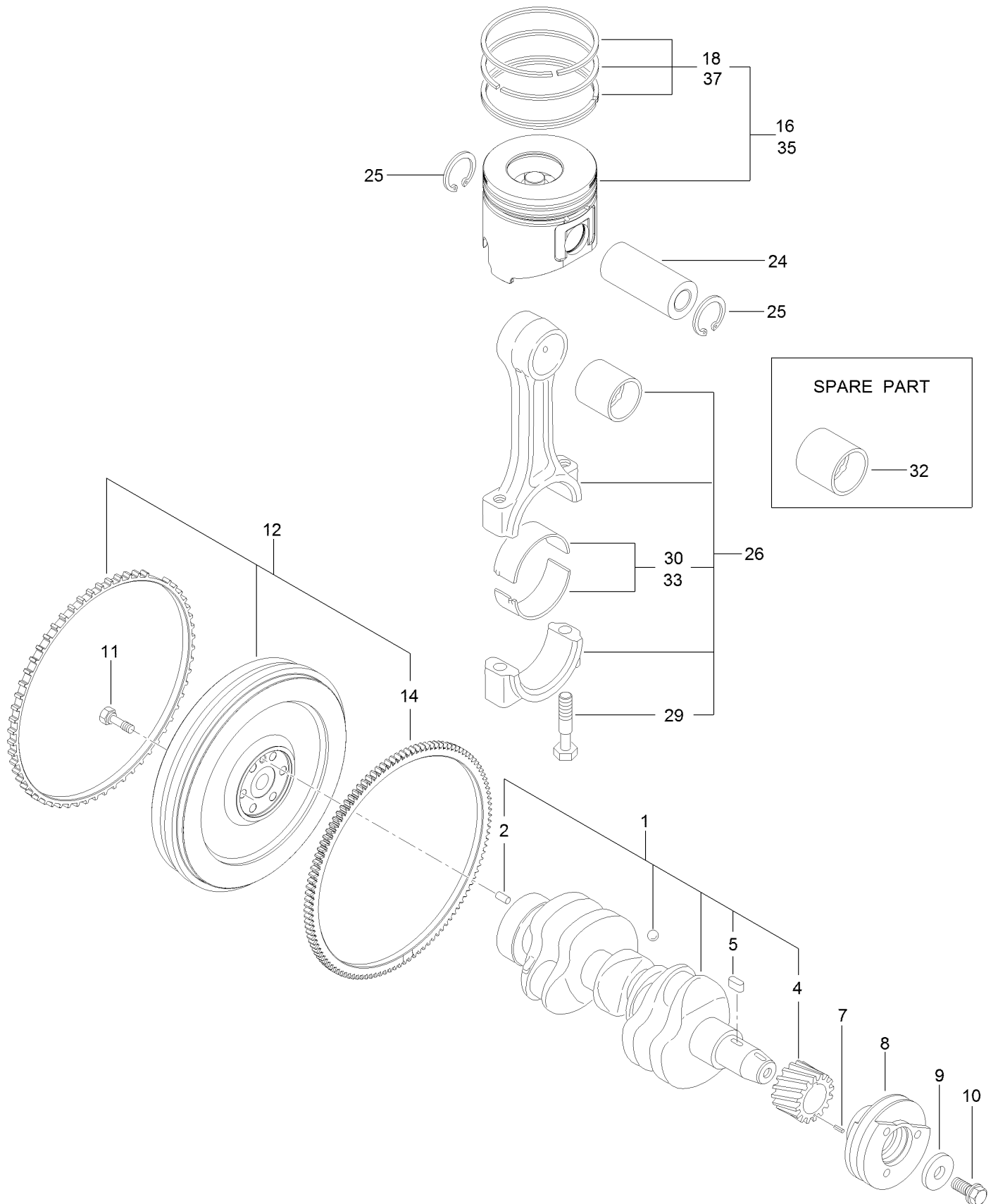
# Camshaft and Driving Gear Assembly



## Camshaft and Driving Gear Assembly (continued)

<i>Ref.</i>	<i>Part Number</i>	<i>Qty.</i>	<i>Description</i>	<i>Ref.</i>	<i>Part Number</i>	<i>Qty.</i>	<i>Description</i>
1	125-7016	6	Tappet	14	127-3066	1	Idle Gear A ASM
2	125-7017	6	Rod-Push	17	125-7219	3	Bolt
3	127-3797	1	Camshaft ASM	18	127-3070	1	Gear-Pump, Supply
4	125-7008	1	Metal-Thrust	19	127-3167	1	Washer-Spring
6	125-7185	1	Key	20	127-3185	1	Nut-Lock
7	127-3052	1	Gear-Camshaft	21	127-3064	1	Shaft-Idle, Gear B
8	127-3053	1	Pulser-Camshaft	22	127-3067	1	Idle Gear B ASM
9	125-7205	3	Bolt	25	127-3068	1	Plate-Idle, Shaft
10	125-7213	2	Bolt	26	127-3069	1	Gasket-Idle, Shaft B
11	127-3054	1	Sensor-Rev, Gear	27	125-7218	2	Bolt
12	127-3184	1	Bolt	28	125-6927	1	Bushing
13	127-3063	1	Shaft-Idle, Gear A	29	127-3065	1	Bushing

# Crankshaft and Piston Assembly

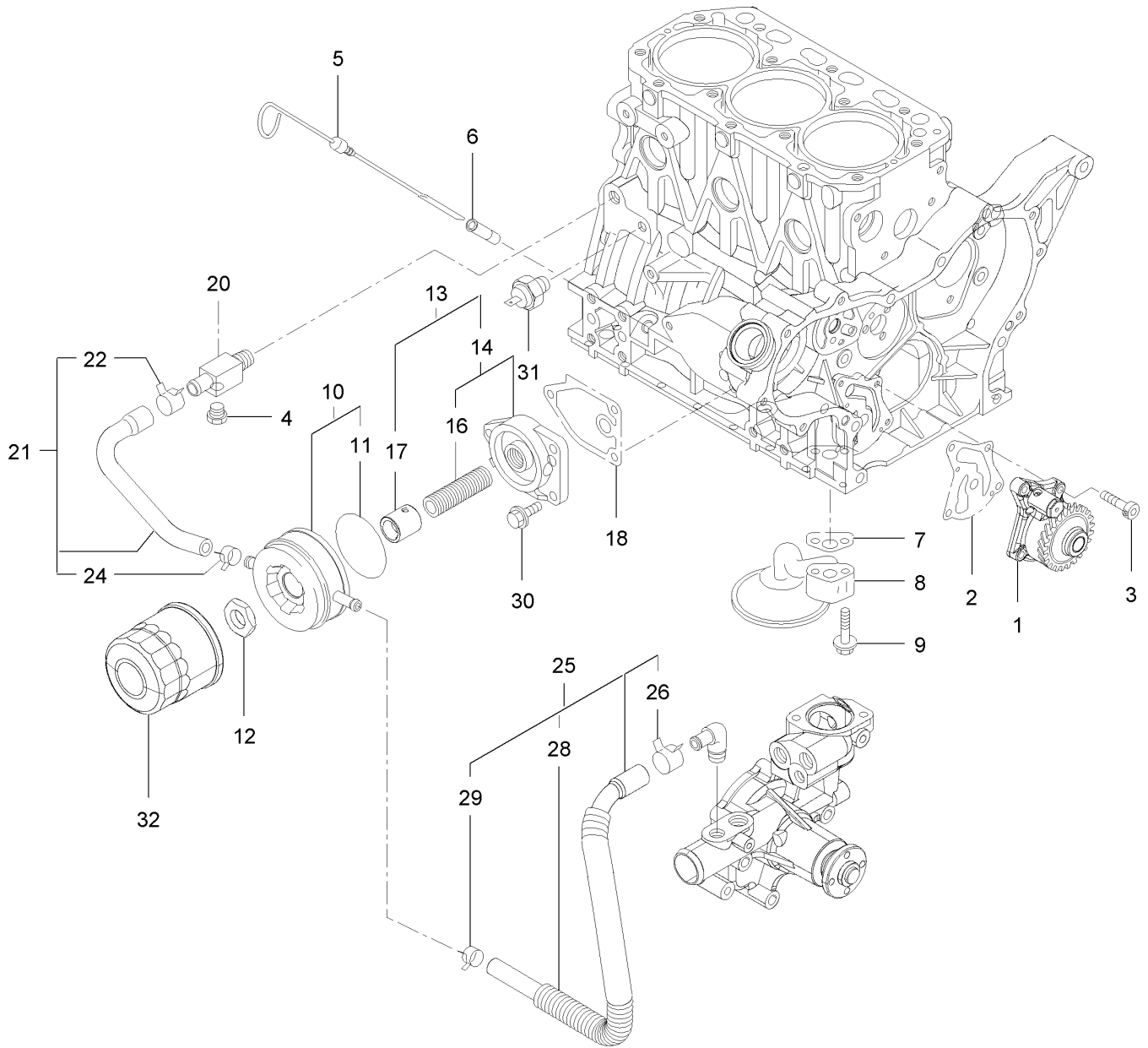




## Crankshaft and Piston Assembly (continued)

<i>Ref.</i>	<i>Part Number</i>	<i>Qty.</i>	<i>Description</i>	<i>Ref.</i>	<i>Part Number</i>	<i>Qty.</i>	<i>Description</i>
1	127-3800	1	Crankshaft ASM	16	127-4766	3	Piston ASM
2	125-6995	1	Pin	18	127-4751	3	Piston Ring ASM
4	125-6937	1	Gear	24	125-7030	3	Pin
5	125-7185	1	Key	25	125-7180	6	Ring
7	125-7182	1	Pin-Spring	26	125-7242	3	Connecting Rod ASM
8	127-3801	1	Pulley-V	29	125-6955	6	Bolt
9	125-7109	1	Washer	30	125-7018	3	Pin-Crank
10	125-6956	1	Bolt	32	125-6997	3	Pin-Piston
11	125-6951	6	Bolt	33	125-7019	3	Pin-Crank (.25)
12	127-4761	1	Flywheel ASM	35	127-4767	3	Piston ASM (0.25 O S)
14	127-4703	1	Gear	37	127-4752	3	Ring Set (0.25 O S)

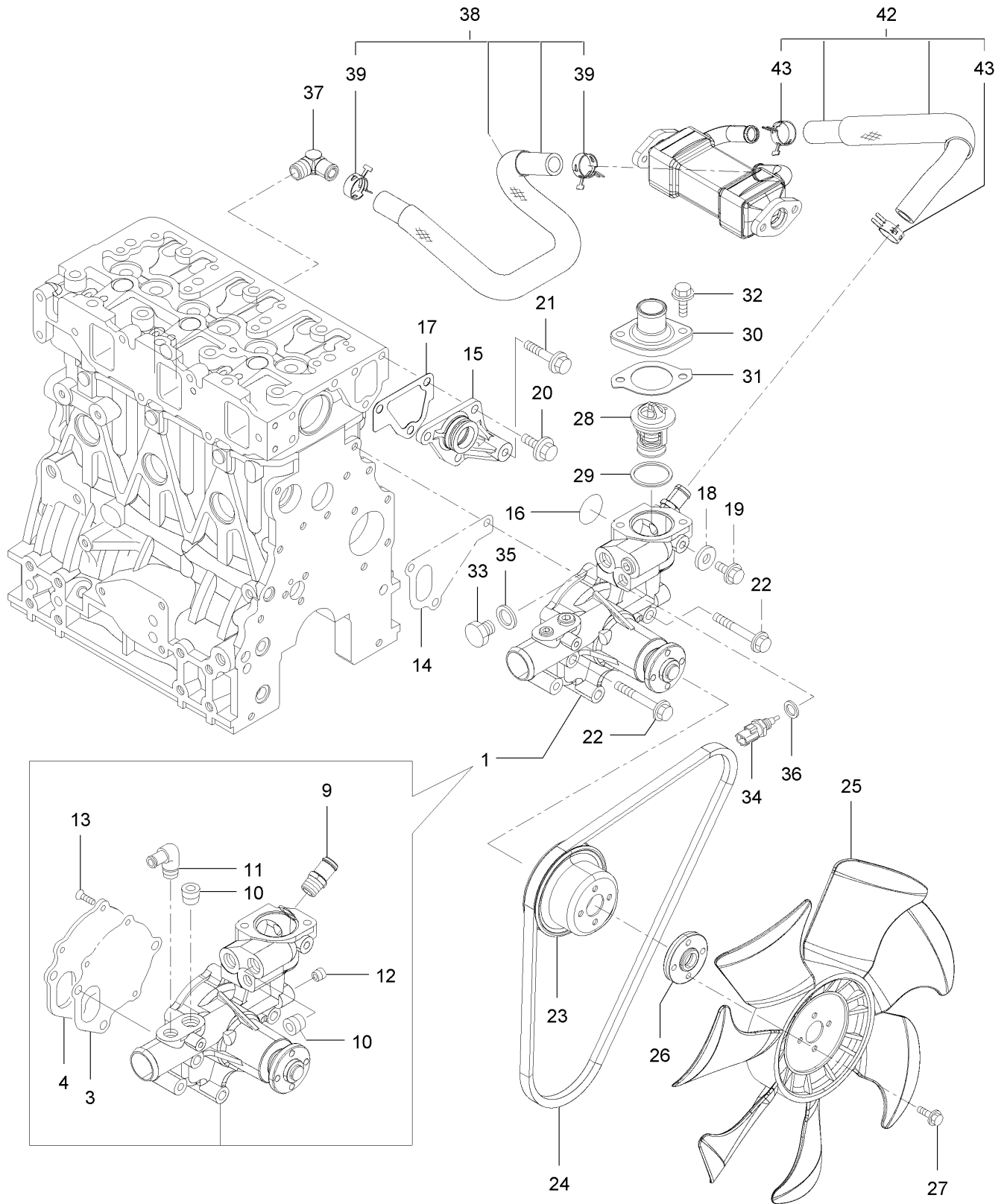
# Oil Pump Assembly



## Oil Pump Assembly (continued)

<i>Ref.</i>	<i>Part Number</i>	<i>Qty.</i>	<i>Description</i>	<i>Ref.</i>	<i>Part Number</i>	<i>Qty.</i>	<i>Description</i>
1	127-4753	1	Oil Pump ASM	16	125-7042	1	Stud
2	127-3004	1	Gasket	17	135-4022	1	Collar-Cooler, Oil
3	125-7232	4	Bolt	18	125-7024	1	Gasket
4	125-7171	1	Plug-Drain	20	125-6990	1	Joint
5	125-6987	1	Dipstick	21	125-7078	1	Pipe ASM
6	125-6954	1	Guide-Dipstick	22	125-7162	1	Clip
7	125-7022	1	Gasket	24	125-7191	1	Clamp-Hose
8	135-4017	1	Oil Inlet Pipe ASM	25	127-3804	1	Pipe ASM
9	125-7217	2	Bolt	26	125-7162	1	Clip
10	135-4018	1	Oil Cooler ASM	28	127-3805	1	Tube
11	135-4019	1	Packing-Oil Cooler	29	125-7191	1	Clamp-Hose
12	135-4020	1	Nut	30	125-7595	3	Bolt
13	135-4021	1	Lo Filter Bracket ASM	31	125-6918	1	Switch-Oil
14	125-6989	1	Bracket ASM	32	125-7025	1	Filter-Engine, Oil

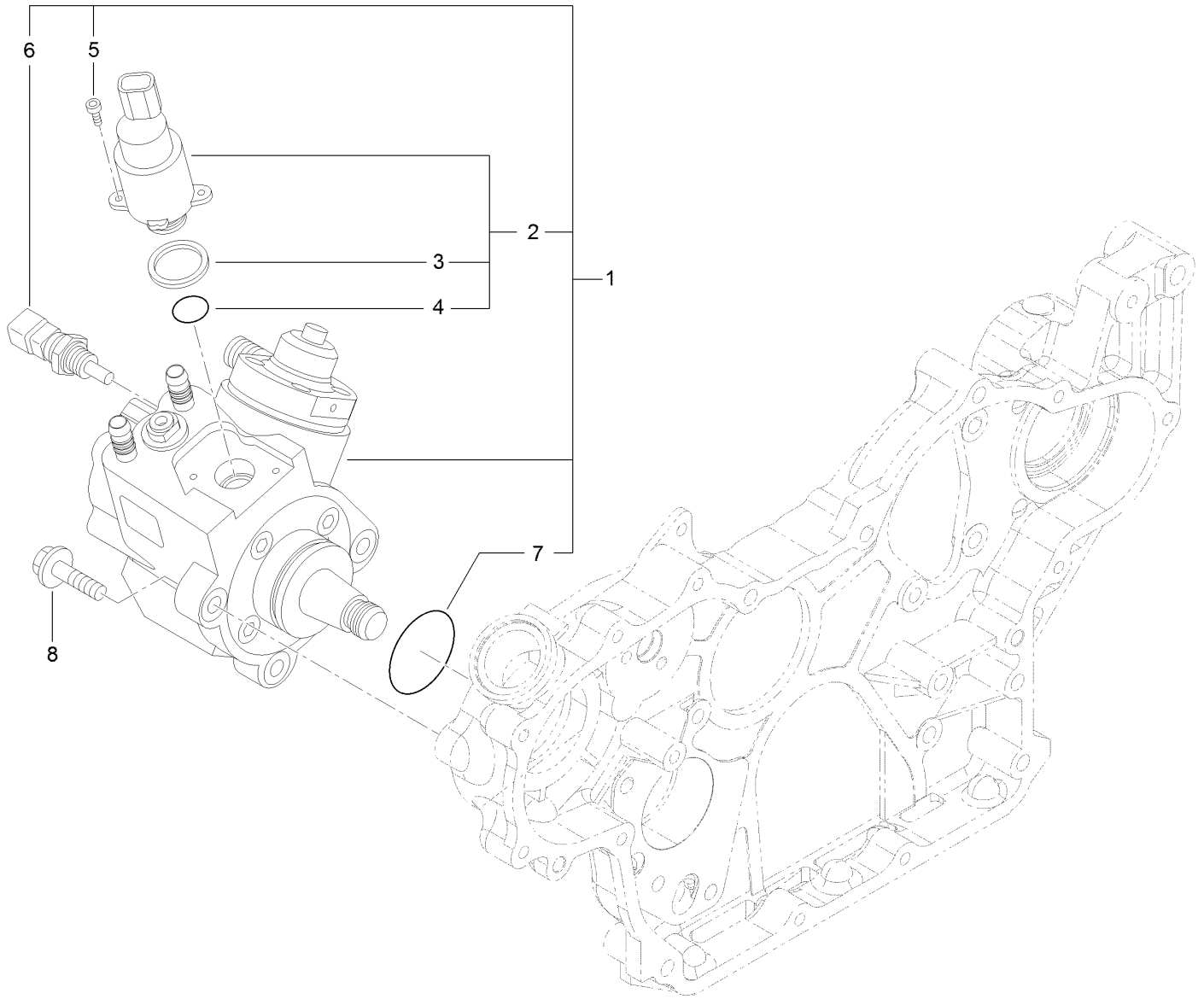
# Cooling Water System Assembly



## Cooling Water System Assembly (continued)

<i>Ref.</i>	<i>Part Number</i>	<i>Qty.</i>	<i>Description</i>	<i>Ref.</i>	<i>Part Number</i>	<i>Qty.</i>	<i>Description</i>
1	127-3071	1	Water Pump ASM	24	127-4771	1	V-Belt
3	125-6998	1	Gasket	25	127-4702	1	Fan
4	125-6999	1	Plate	26	127-3810	1	Spacer
9	127-3017	1	Joint	27	125-7209	4	Bolt
10	125-7123	2	Plug	28	125-7029	1	Thermostat
11	125-7001	1	Elbow	29	125-7026	1	Gasket
12	125-7195	1	Plug	30	125-7034	1	Cover
13	125-7234	3	Screw	31	125-7110	1	Gasket
14	125-7047	1	Gasket	32	125-7594	2	Bolt
15	125-6986	1	Joint	33	125-6953	1	Plug
16	125-7048	1	O-Ring	34	125-7124	1	Sensor-Thermostat, CW
17	125-6978	1	Gasket	35	125-6979	1	Gasket
18	125-7192	1	Gasket	36	125-7176	1	Washer-Seal
19	93-0362	1	Bolt	37	127-4705	1	Elbow
20	100-6928	3	Bolt	38	127-4757	1	E G R-C Pipe ASM
21	125-7219	1	Bolt	39	127-3020	2	Clip-Hose
22	125-7222	3	Bolt	42	127-3811	1	CW Pipe ASM
23	127-4712	1	V-Pulley	43	127-3020	2	Clip-Hose

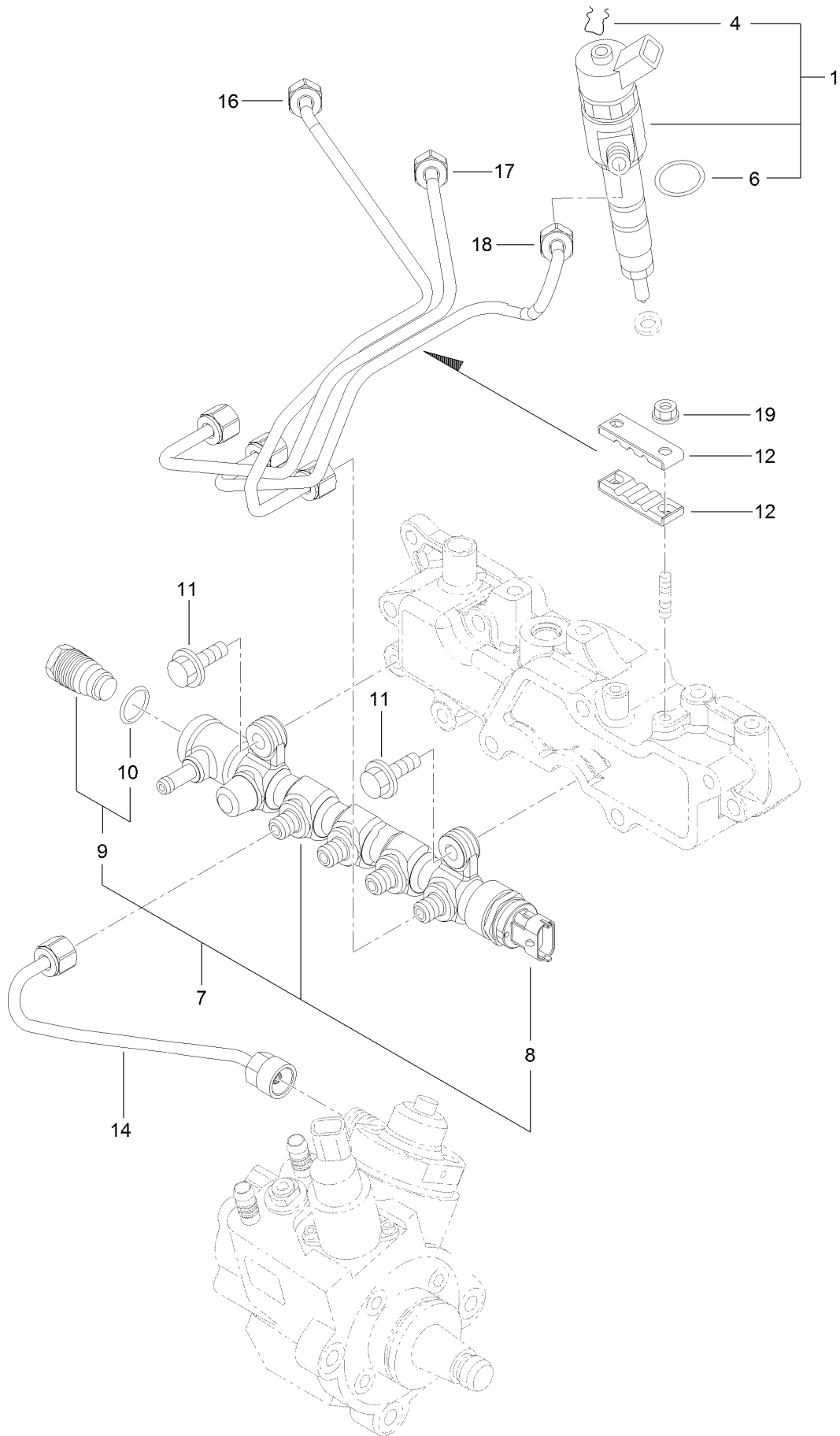
# Fuel Supply Pump Assembly



## Fuel Supply Pump Assembly (continued)

<i>Ref.</i>	<i>Part Number</i>	<i>Qty.</i>	<i>Description</i>	<i>Ref.</i>	<i>Part Number</i>	<i>Qty.</i>	<i>Description</i>
1	127-3073	1	Fuel Pump ASM	5	131-2107	2	Bolt
2	131-2103	1	Valve ASM	6	131-2108	1	Sensor-Temperature
3	131-2105	1	Ring-Sealing	7	127-3074	1	O-Ring
4	131-2106	1	O-Ring	8	125-7216	3	Bolt

# Fuel Injection Valve Assembly

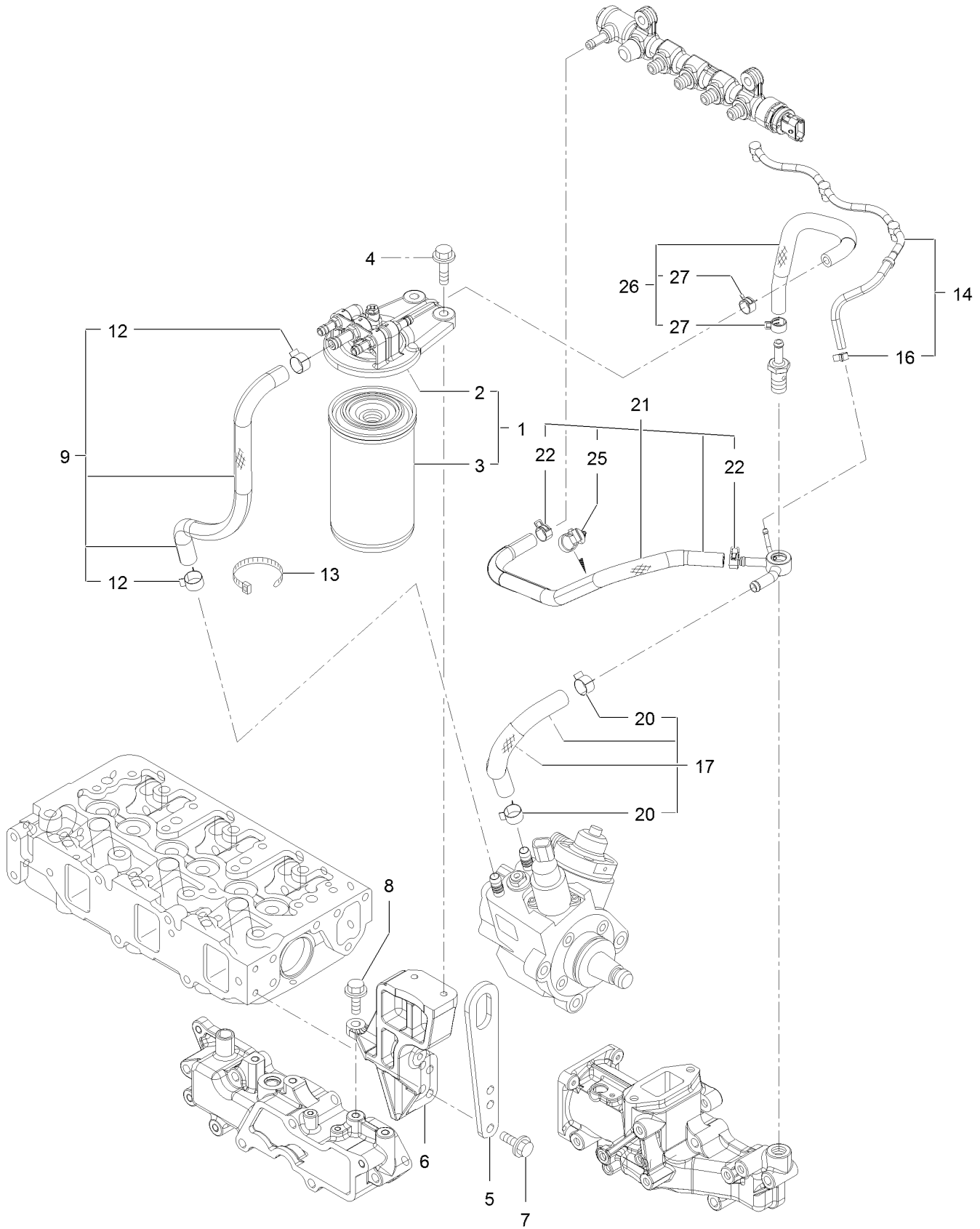




## Fuel Injection Valve Assembly (continued)

<i>Ref.</i>	<i>Part Number</i>	<i>Qty.</i>	<i>Description</i>	<i>Ref.</i>	<i>Part Number</i>	<i>Qty.</i>	<i>Description</i>
1	127-4754	3	Injector ASM	11	125-7215	2	Bolt
4	130-7430	3	Ring-Retaining	12	127-3813	2	Retainer
6	137-5173	3	O-Ring	14	127-3082	1	Rail In Pipe ASM
7	127-3812	1	Rail ASM	16	127-3814	1	Injection Pipe ASM
8	131-2709	1	Sensor-Pressure, Rail	17	127-3083	1	Injection Pipe ASM
9	131-2710	1	Valve ASM	18	127-3084	1	Injection Pipe ASM
10	130-7433	1	O-Ring	19	125-7231	2	Nut

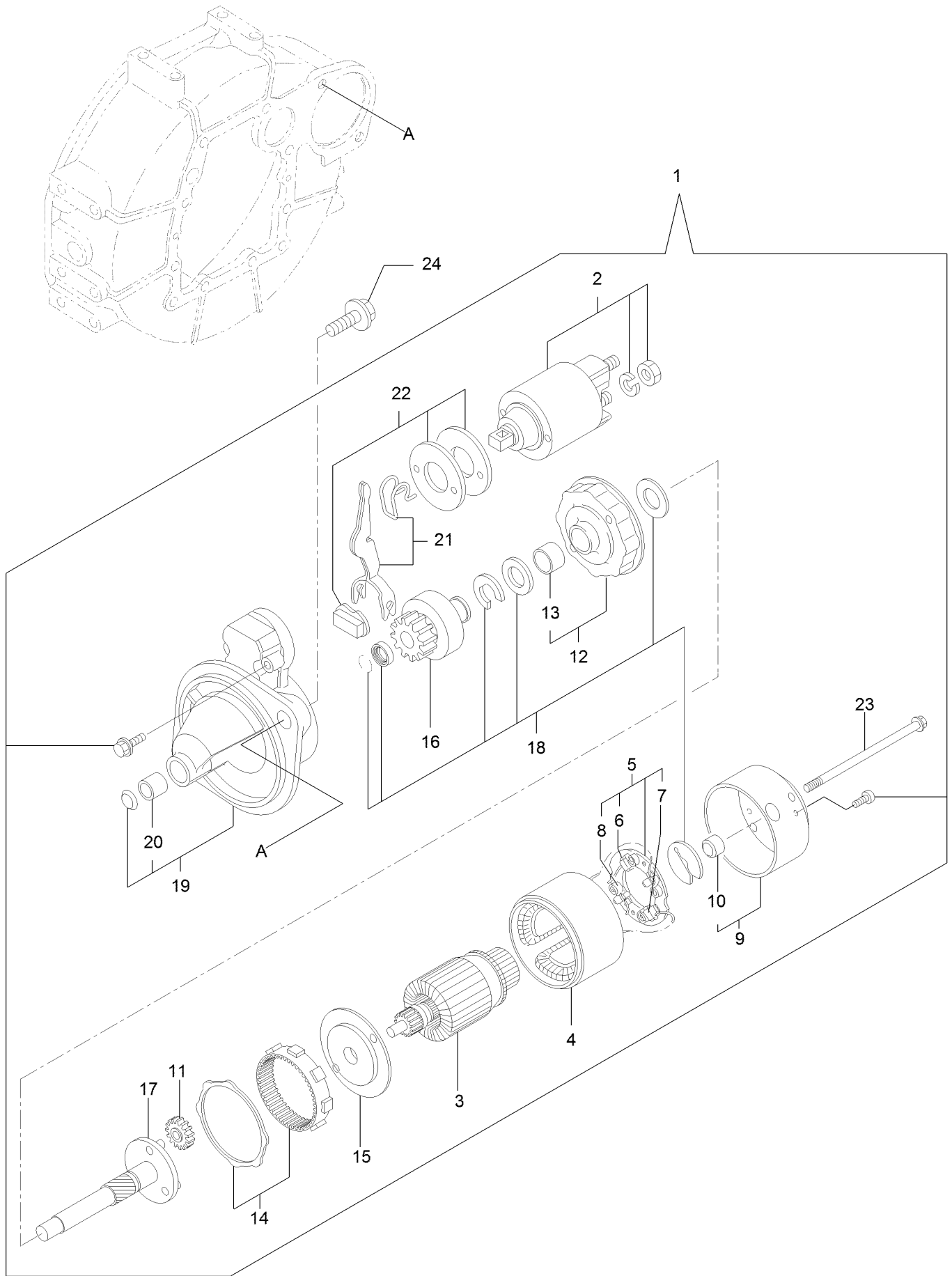
# Fuel Line Assembly



## Fuel Line Assembly (continued)

<i>Ref.</i>	<i>Part Number</i>	<i>Qty.</i>	<i>Description</i>	<i>Ref.</i>	<i>Part Number</i>	<i>Qty.</i>	<i>Description</i>
1	127-3075	1	Fuel/Oil Filter ASM	13	127-2981	1	Band
2	127-3076	1	Fuel/Oil Filter Bracket ASM	14	135-4023	1	Fuel/Oil Return Pipe ASM
3	125-8752	1	Filter-Fuel/Oil	16	127-3172	1	Clamp-Hose
4	125-7216	2	Bolt	17	127-3078	1	Fuel Pipe ASM
5	125-7111	1	Lifter	20	125-7191	2	Clamp-Hose
6	127-3815	1	Filter Bracket ASM	21	127-3817	1	Fuel Pipe ASM
7	125-7215	2	Bolt	22	127-2950	2	Clip-Hose
8	125-7215	1	Bolt	25	127-3087	1	Band-Clip
9	127-3077	1	Fuel Pipe ASM	26	127-3079	1	Fuel Pipe ASM
12	125-7191	2	Clamp-Hose	27	127-2950	2	Clip-Hose

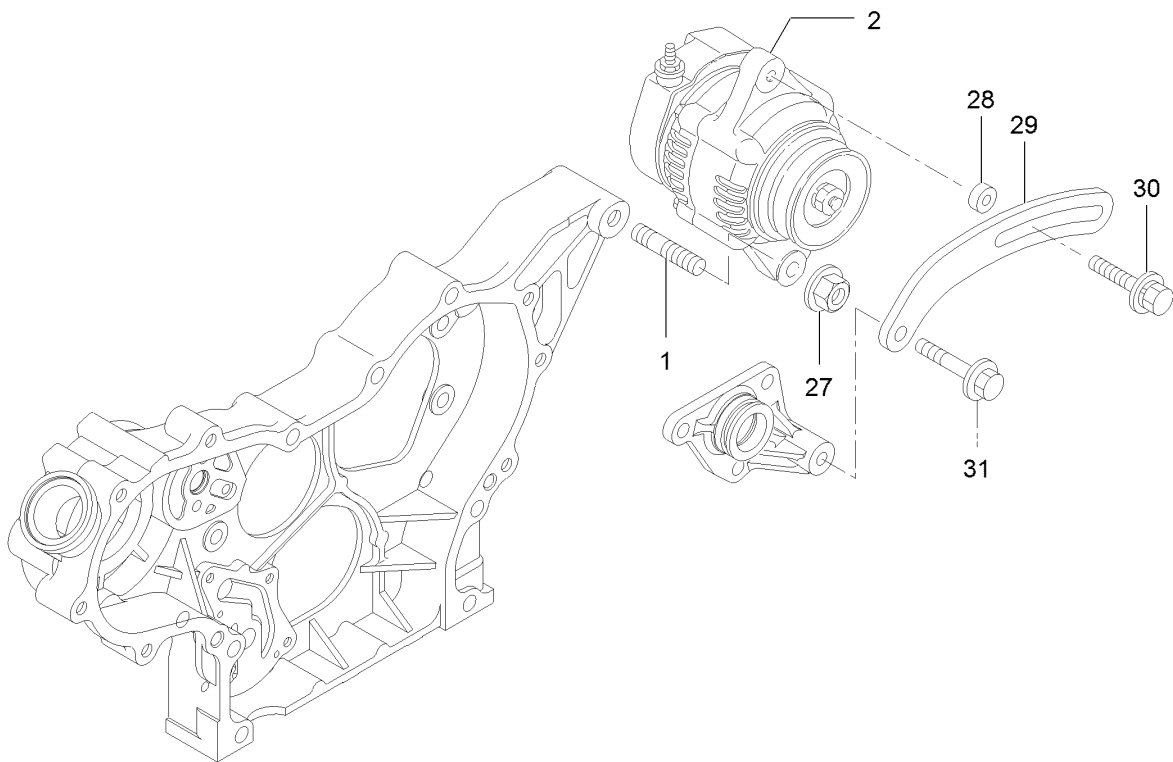
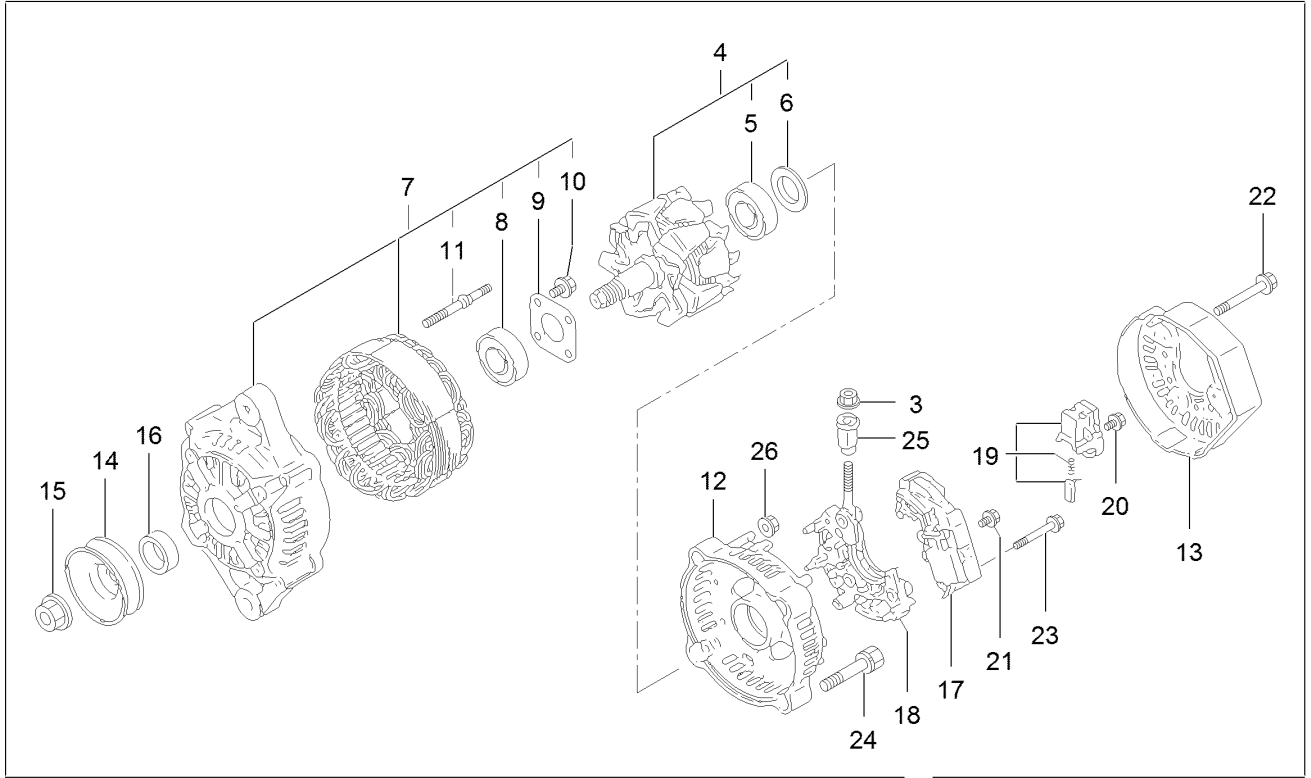
# Starting Motor Assembly



## Starting Motor Assembly (continued)

<i>Ref.</i>	<i>Part Number</i>	<i>Qty.</i>	<i>Description</i>	<i>Ref.</i>	<i>Part Number</i>	<i>Qty.</i>	<i>Description</i>
1	127-3818	1	Starter ASM	13	127-3830	1	Bracket
2	127-3819	1	Switch ASM	14	127-3831	1	Gear
3	127-3820	1	Armature ASM	15	127-3832	1	Bracket
4	127-3821	1	Yoke ASM	16	127-3833	1	Pinion ASM
5	127-3822	1	Brush Holder ASM	17	127-3834	1	Shaft
6	127-3823	2	Brush	18	127-3835	1	Washer Set
7	127-3824	1	Brush Set	19	127-3836	1	Case ASM
8	127-3825	4	Spring	20	127-3837	1	Metal-Starter
9	127-3826	1	Cover ASM	21	127-3838	1	Lever Set
10	127-3827	1	Metal	22	127-3839	1	Dust Cover ASM
11	127-3828	3	Gear	23	135-4024	2	Bolt-Through
12	127-3829	1	Bracket	24	125-7225	2	Bolt

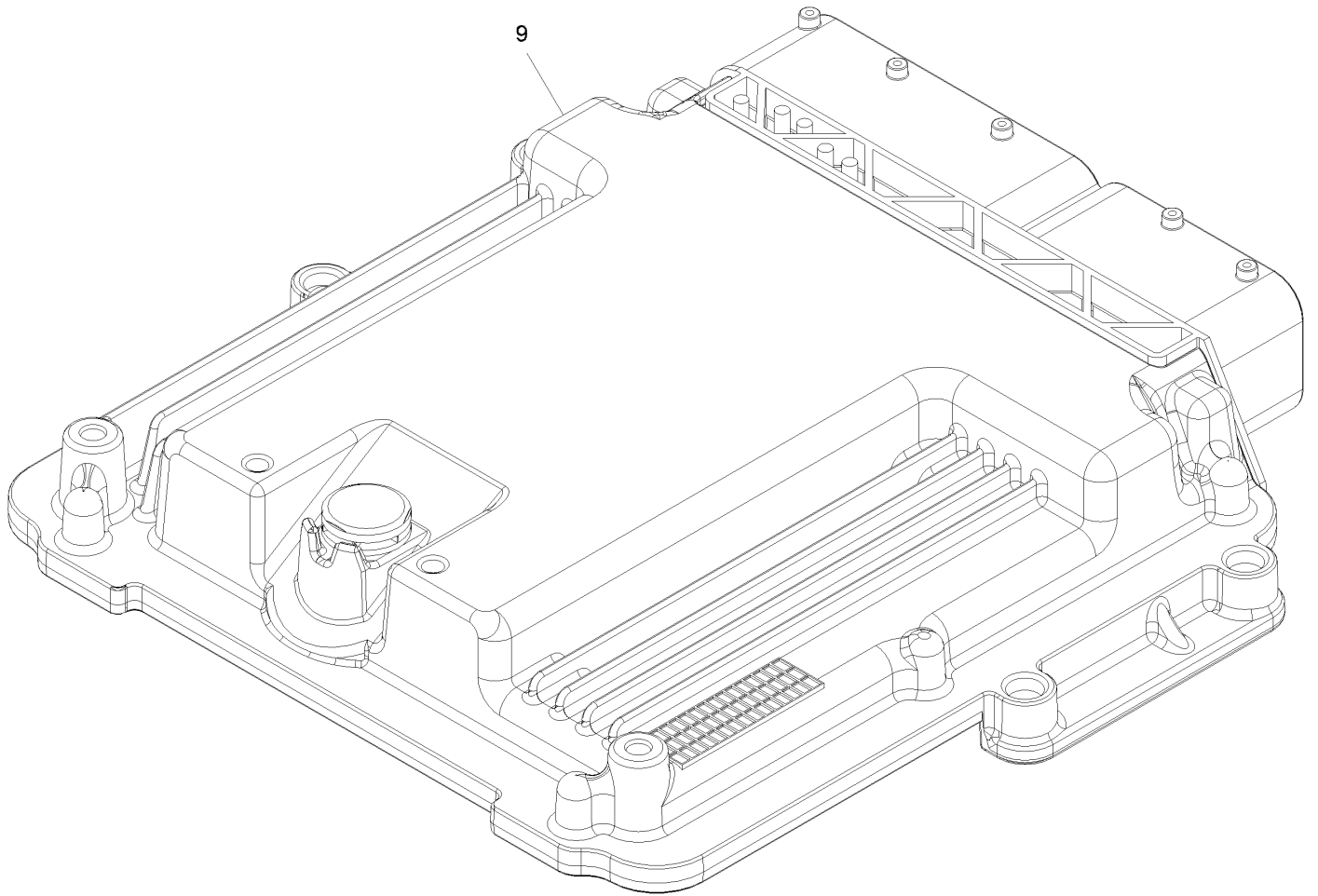
# Generator Assembly



## Generator Assembly (continued)

<i>Ref.</i>	<i>Part Number</i>	<i>Qty.</i>	<i>Description</i>	<i>Ref.</i>	<i>Part Number</i>	<i>Qty.</i>	<i>Description</i>
1	127-3011	1	Stud	17	135-4026	1	Regulator ASM
2	135-4278	1	Alternator	18	127-3848	1	Holder
3	127-3190	1	Nut	19	127-2993	1	Holder
4	127-3843	1	Rotor ASM	20	127-2965	6	Screw
5	127-2983	1	Bearing-Ball	21	127-2966	1	Screw
6	127-2962	1	Cover	22	127-2967	3	Bolt
7	135-4025	1	Frame ASM	23	127-2968	2	Screw
8	127-2958	1	Bearing-Ball	24	127-2969	2	Bolt
9	127-2959	1	Plate-Retainer	25	127-2970	1	Bushing-Insulation
10	127-2960	4	Screw	26	127-2971	2	Nut
11	127-2961	2	Stud	27	125-7230	1	Nut
12	127-3845	1	Frame	28	125-6947	1	Spacer
13	127-3846	1	Cover	29	127-2977	1	Adjuster
14	127-2954	1	Pulley	30	135-4027	1	Bolt-Adjust
15	127-2955	1	Nut	31	125-7219	1	Bolt
16	127-2957	1	Collar				

# Electronic Control Unit Assembly



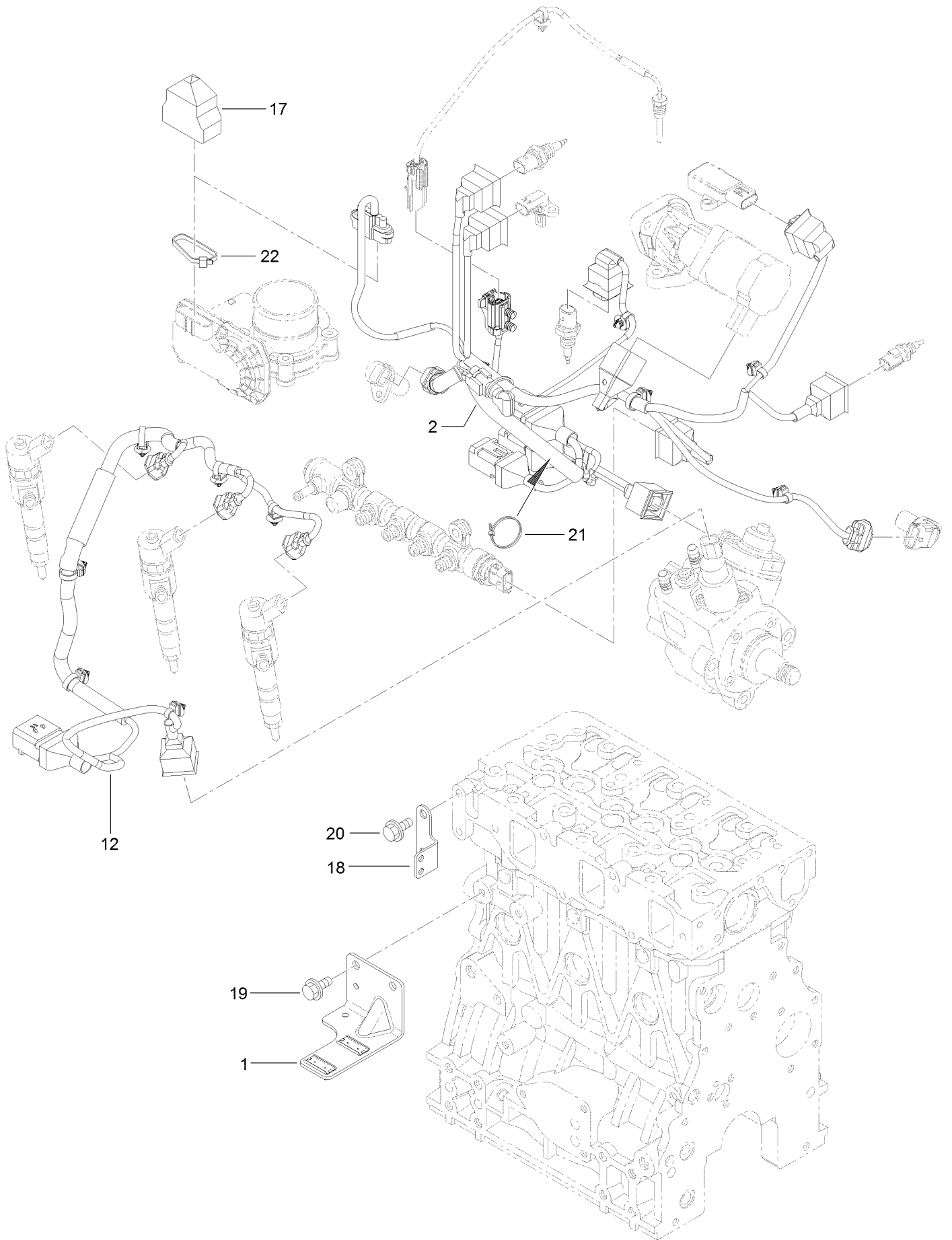


# Electronic Control Unit Assembly (continued)

<i>Ref.</i>	<i>Part Number</i>	<i>Qty.</i>	<i>Description</i>
9	121-5592	1	Electronic Control Unit ●

● Contact an Authorized Service Dealer

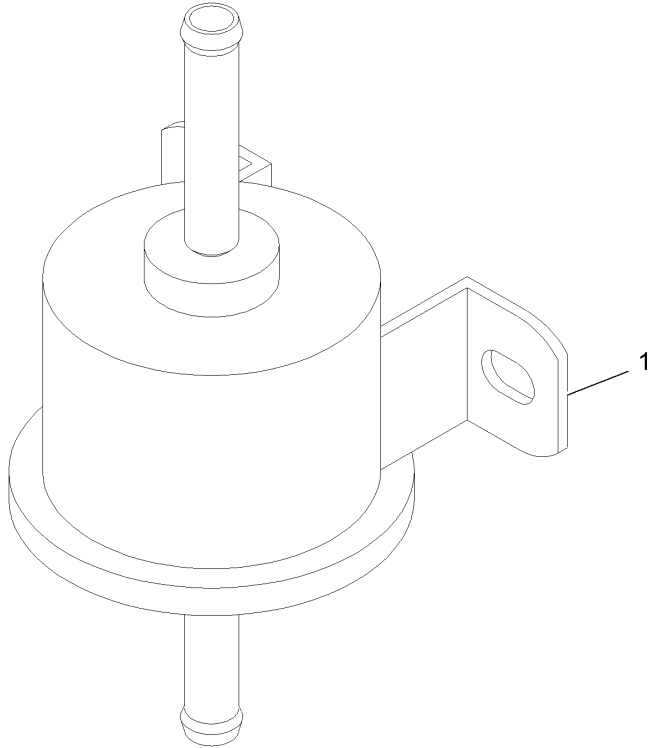
# Electric Parts Assembly



## Electric Parts Assembly (continued)

<i>Ref.</i>	<i>Part Number</i>	<i>Qty.</i>	<i>Description</i>	<i>Ref.</i>	<i>Part Number</i>	<i>Qty.</i>	<i>Description</i>
1	130-7436	1	Bracket-Connector	19	125-7213	2	Bolt
2	135-4029	1	Harness	20	125-7212	2	Bolt
12	130-7438	1	Harness	21	127-3187	1	Band
17	131-2713	1	Boot-Cap	22	127-3188	1	Band
18	127-3090	1	Bracket-Harness				

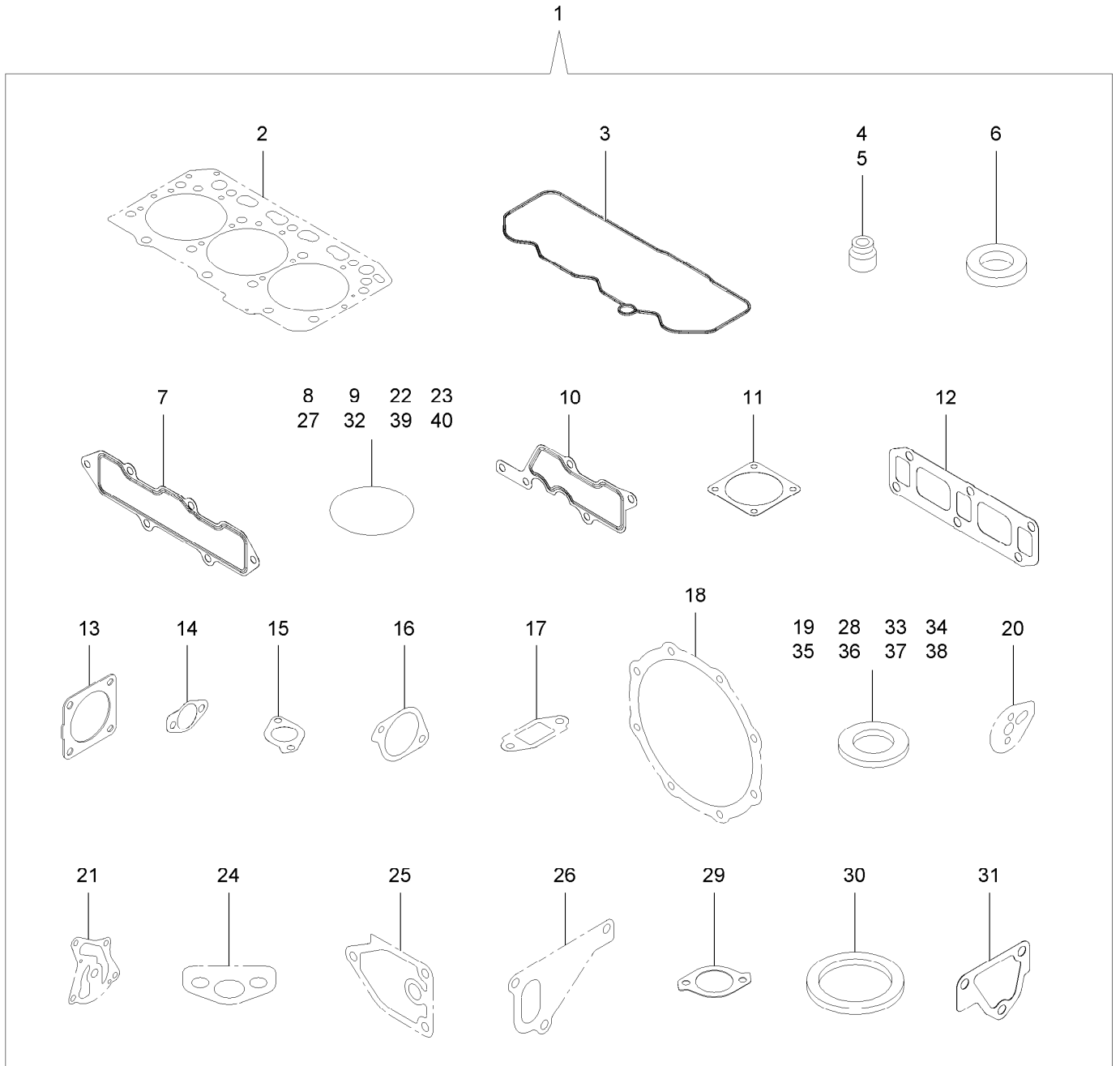
# Fuel Pump Assembly



## Fuel Pump Assembly (continued)

<i>Ref.</i>	<i>Part Number</i>	<i>Qty.</i>	<i>Description</i>
1	121-5613	1	Pump-Fuel, Electric

# Gasket Set



## Gasket Set (continued)

<i>Ref.</i>	<i>Part Number</i>	<i>Qty.</i>	<i>Description</i>	<i>Ref.</i>	<i>Part Number</i>	<i>Qty.</i>	<i>Description</i>
1	130-7440	1	Packing (Gasket Set)	21	127-3004	1	Gasket
2	127-4716	1	Head Gasket ASM	22	125-6909	2	O-Ring
3	127-3856	1	Gasket-Valve Cover	23	127-2973	1	O-Ring
4	127-2986	3	Seal-Stem, Valve	24	125-7022	1	Gasket
5	127-3027	3	Seal-Stem, Valve	25	125-7024	1	Gasket
6	127-3021	3	Gasket-Injector	26	125-7047	1	Gasket
7	127-3857	1	Gasket-Manifold, Intake	27	125-7048	1	O-Ring
8	127-3032	2	O Ring-Sensor, Pressure	28	125-6979	1	Gasket
9	127-3033	1	O-Ring	29	125-7110	1	Gasket
10	127-3034	1	Gasket-Collector	30	125-7026	1	Gasket
11	127-3037	2	Gasket-Throttle	31	125-6978	1	Gasket
12	127-3775	1	Gasket-Manifold, Exhaust	32	127-3074	1	O-Ring
13	127-2987	1	Gasket-Silencer	33	125-7174	1	Washer-Seal
14	127-3043	2	Gasket-Cooler, E G R	34	125-7176	1	Washer-Seal
15	127-3016	1	Gasket	35	127-3166	2	Washer-Seal
16	127-3050	1	Gasket-Intake Valve, E G R	36	125-7177	1	Washer-Seal
17	127-3051	1	Gasket-Out Valve, E G R	37	125-7192	1	Gasket
18	127-3859	2	Gasket-D P F	38	127-3174	2	Gasket
19	127-3056	4	Gasket-Sensor	39	93-0418	3	O-Ring
20	127-3069	1	Gasket-Idle, Shaft B	40	125-7197	2	O-Ring

# Attachments and Accessories

## For 72065 Z Master Professional 7500-D Series Riding Mower With 60in TURBO FORCE Rear Discharge Mower

<b>Product Name</b>	<b>Model/Part</b>
Premium Transmission/Hydraulic Tractor Fluid (55 Gallon Drum).....	108-1183
Premium Transmission/Hydraulic Tractor Fluid (5 Gallon Pail) .....	108-1184
Deck Skid Bumper (White).....	126-0854
Sunshade Kit .....	126-8077
Anti-Scalp and Wear Bar Kit .....	127-6650
Jack Kit.....	127-6666
Jack Mount Kit .....	135-1768
Trash Container Kit.....	135-2473
Slow Moving Vehicle Kit.....	135-2891
Rear Guard Kit.....	135-3445
Hitch Kit .....	135-3616
Worklight Kit .....	135-7076
Oil-30/10W-30 Synthetic (Quart).....	138-6053
Oil-30/10W-30 Synthetic (Gallon) .....	138-6054
Blade-20.50 Atomic .....	140-1241
Blade-20.50 Cr Low Flow.....	140-1244
6 Pack-Blade, 20.5 Atomic.....	140-4880



**Notes:**

**Notes:**

**Notes:**



**Count on it.**