



**Count on it.**

**Parts Catalog**

**Greensmaster® 1026**

**Mower**

Model No. 04840—Serial No. 407366000 and Up



# Ordering Replacement Parts

To order replacement parts, please supply the part number, the quantity, and the description of each part desired.

## Understanding Reference Numbers

Each identified part in an illustration has a reference number. The reference number for a part also appears in the parts list, along with other information about the part.

This catalog uses two special reference number formats, one to indicate parts in a service assembly and another to indicate the quantity of a given part in an illustration.

## Service Assembly Reference Numbers

Parts in service assemblies have reference numbers in the form a:b. The a represents the reference number of the entire service assembly and the b represents a sequential number unique to each part within the service assembly.

For example, a wheel assembly might be identified by reference number 6, the tire by 6:1, the valve by 6:2, and the wheel by 6:3. When you order the assembly identified by reference number 6, you receive all parts identified by reference numbers 6:1, 6:2, and 6:3. However, you may also order any part individually. Reference numbers of this type appear in illustration and in parts lists.

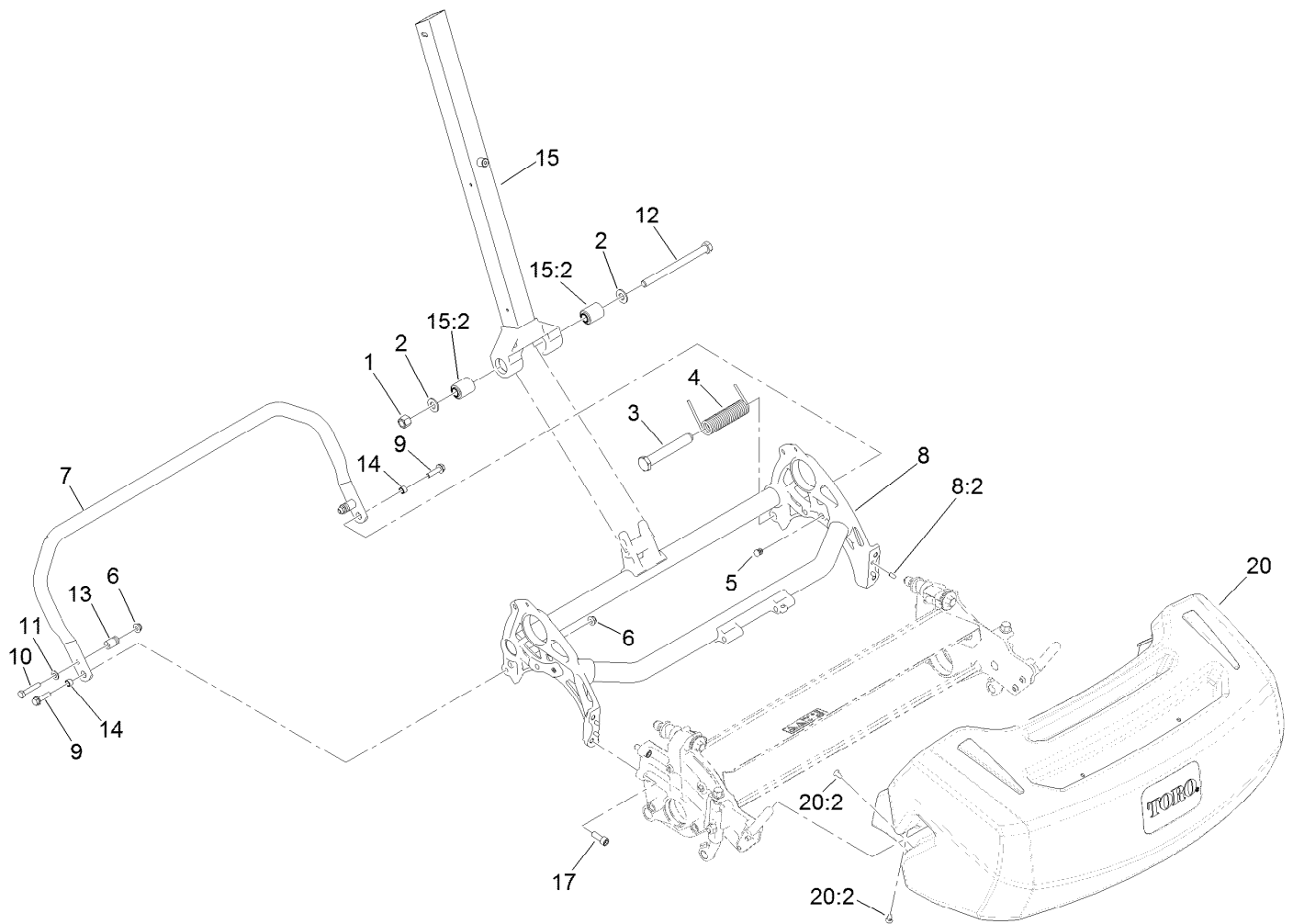
## Reference Numbers Indicating Quantity

In an illustration, if a reference number indicates more than one part, the reference number has the form nX y. The n represents the quantity of the part, the X is the multiplication symbol, and the y represents the reference number.

For example, in an illustration, the reference number 2X 37 means that two of the parts identified by reference number 37 are indicated.

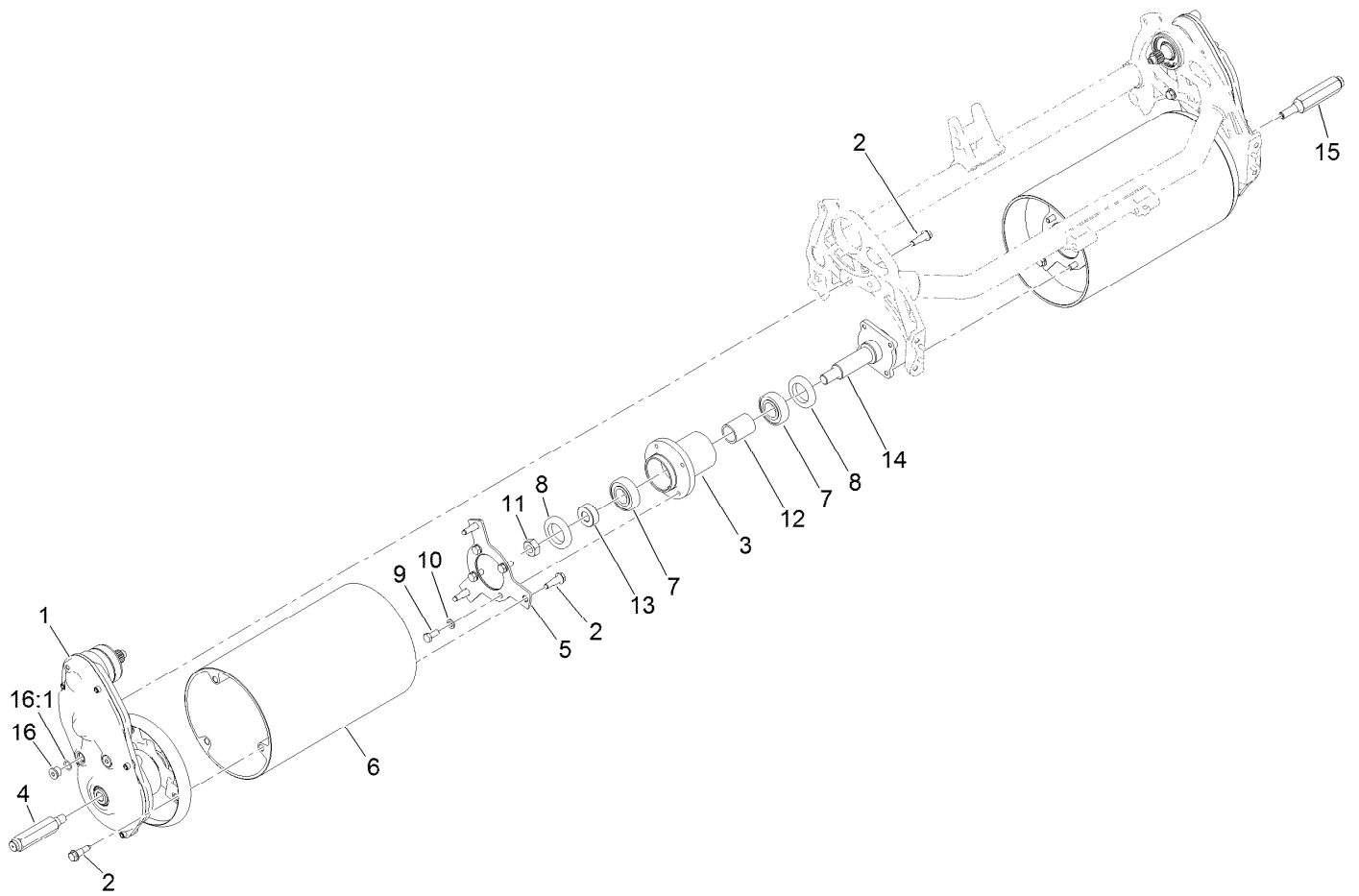
# Contents

|   |    |
|---|----|
| Frame and Handle Mount Assembly .....                                       | 4  |
| Drum Drive Assembly .....   | 5  |
| Drum Drive Gearbox Assembly No. 132-4566 .....                              | 6  |
| Transmission Assembly .....   | 7  |
| Transmission Gearbox Assembly No. 130-6820 Transmission Case Assembly ..... | 8  |
| Transmission Gearbox Assembly No. 130-6820 Reel Drive Assembly .....        | 9  |
| Transmission Gearbox Assembly No. 130-6820 Traction Drive Assembly .....    | 10 |
| Differential Assembly No. 132-4555 .....                                    | 11 |
| Engine Assembly .....   | 12 |
| Engine Assembly No. 138-2142 .....  | 13 |
| Reel Controls and Covers Assembly .....                                     | 14 |
| Upper Handle Assembly .....   | 16 |
| Traction Bail Assembly .....  | 18 |
| CE Decal .....  | 19 |
| Attachments and Accessories .....   | 20 |



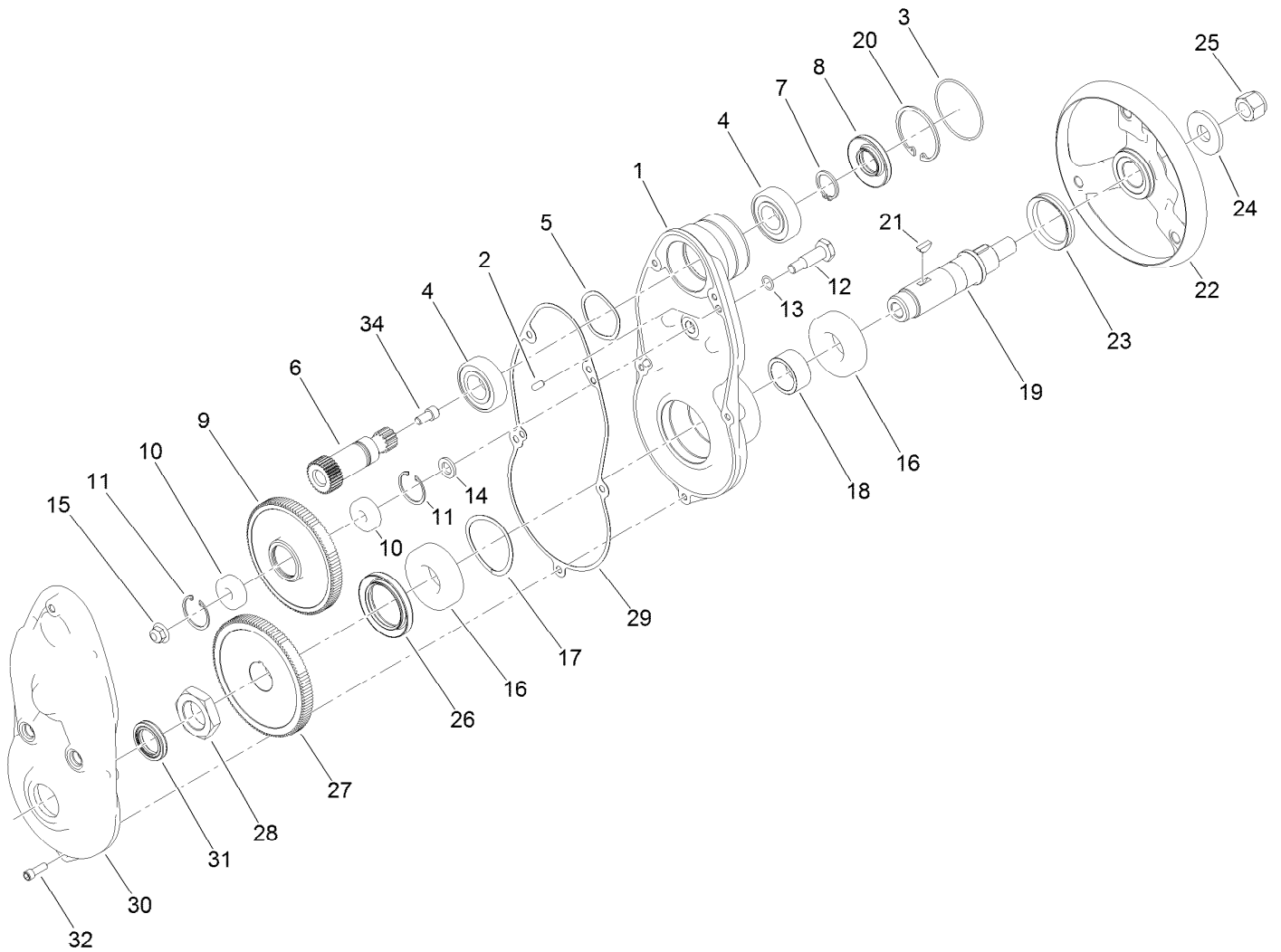
## Frame and Handle Mount Assembly

| Ref. | Part Number | Qty. | Description        | Ref. | Part Number | Qty. | Description      |
|------|-------------|------|--------------------|------|-------------|------|------------------|
| 1    | 3296-23     | 1    | Nut-Lock, NI       | 10   | 322-9       | 2    | Screw-HH         |
| 2    | 3256-26     | 2    | Washer-Flat        | 11   | 3256-23     | 2    | Washer-Plain     |
| 3    | 138-1510    | 1    | Pin-Mount, Spring  | 12   | 325-33      | 1    | Screw-HH         |
| 4    | 138-1459    | 1    | Spring-Torsion, LH | 13   | 65-7900     | 2    | Retainer-Spring  |
| 5    | 139-4326    | 2    | Plug-Plastic       | 14   | 65-7910     | 2    | Spacer           |
| 6    | 119-4041    | 3    | Nut-HF             | 15   | 137-0292    | 1    | Lower Handle ASM |
| 7    | 138-1577-03 | 1    | Kickstand-26 Inch  | 15:2 | 138-1469    | 2    | Bushing-Straight |
| 8    | 138-1648    | 1    | 26 Inch Frame ASM  | 17   | 3274-7      | 4    | Screw-HSH        |
| 8:2  | 95-0715     | 4    | Pin-Dowel          | 20   | 140-9294    | 1    | Basket-Grass     |
| 9    | 112-6913    | 2    | Screw-HHF          | 20:2 | 121-4729    | 4    | Plug             |



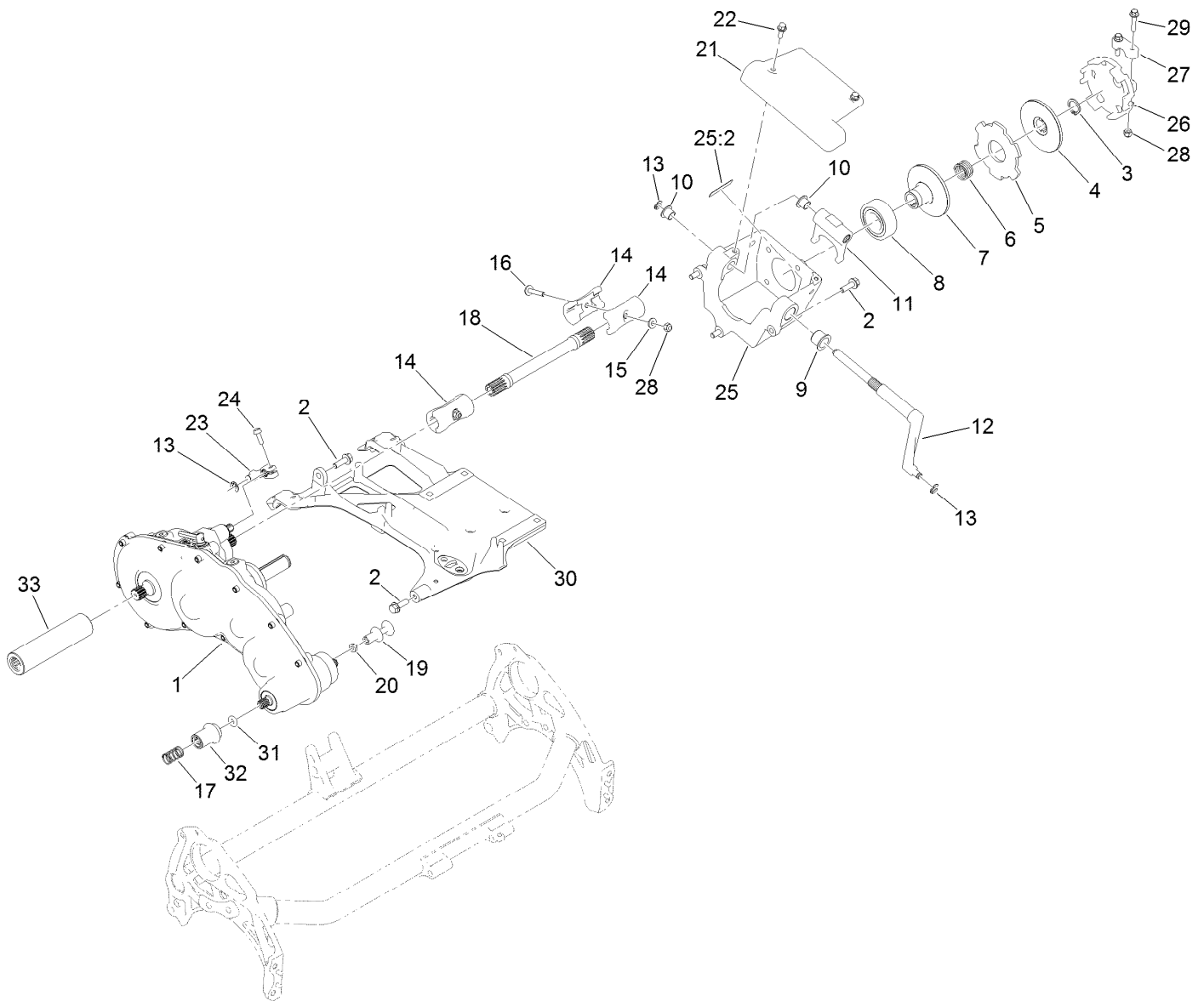
## Drum Drive Assembly

| <i>Ref.</i> | <i>Part Number</i> | <i>Qty.</i> | <i>Description</i>      | <i>Ref.</i> | <i>Part Number</i> | <i>Qty.</i> | <i>Description</i> |
|-------------|--------------------|-------------|-------------------------|-------------|--------------------|-------------|--------------------|
| 1           | 132-4566           | 2           | Drum Drive Gear Box ASM | 10          | 3253-4             | 8           | Washer-Lock        |
| 2           | 132-4607           | 14          | Bolt-Shoulder, Flange   | 11          | 3296-33            | 1           | Nut-Lock, NI       |
| 3           | 132-6971           | 1           | Hub-Drum                | 12          | 65-6520            | 1           | Spacer             |
| 4           | 132-4605           | 1           | Shaft-Hex, RH           | 13          | 65-6530            | 1           | Spacer             |
| 5           | 140-9250-0P        | 2           | Plate-Drum, Hub         | 14          | 94-5850            | 1           | Spindle-Drum       |
| 6           | 138-1529           | 2           | Drum-Traction, 26 Inch  | 15          | 132-4606           | 1           | Shaft-Hex, LH      |
| 7           | 251-82             | 2           | Bearing-Ball            | 16          | 353-989            | 4           | Plug-Hex, Hollow   |
| 8           | 253-159            | 2           | Seal                    | 16:1        | 237-42             | 1           | O-Ring             |
| 9           | 322-3              | 8           | Screw-HH                |             |                    |             |                    |



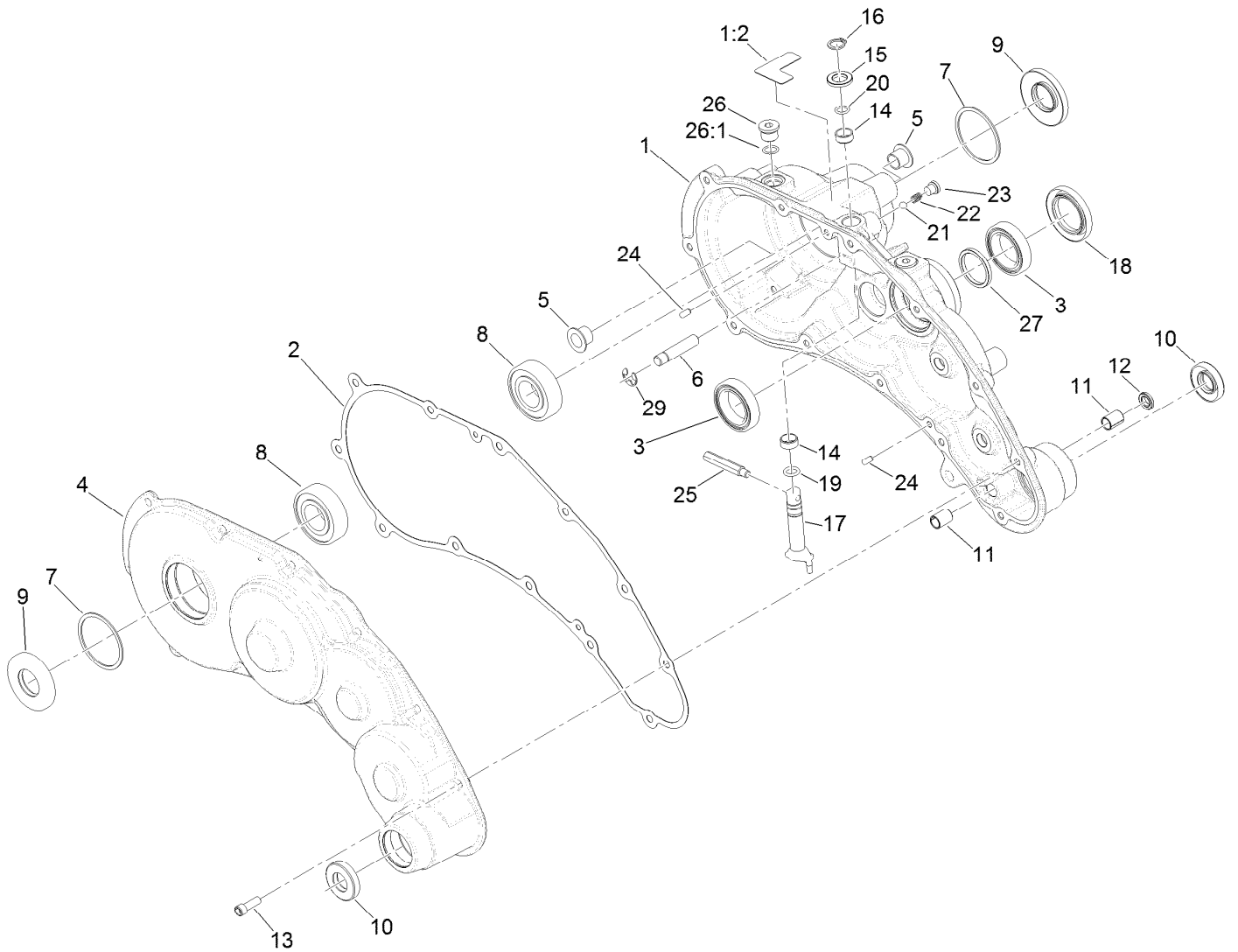
## Drum Drive Gearbox Assembly No. 132-4566

| <i>Ref.</i> | <i>Part Number</i> | <i>Qty.</i> | <i>Description</i>         | <i>Ref.</i> | <i>Part Number</i> | <i>Qty.</i> | <i>Description</i>         |
|-------------|--------------------|-------------|----------------------------|-------------|--------------------|-------------|----------------------------|
| 1           | 137-0282           | 1           | Housing-Drive, Drum        | 17          | 115-5258           | 1           | Spring-Wire, Flat          |
| 2           | 133-4591           | 2           | Pin-Dowel                  | 18          | 132-4568           | 1           | Spacer                     |
| 3           | 133-9082           | 1           | O-Ring                     | 19          | 133-4562           | 1           | Shaft-Drum, Drive          |
| 4           | 251-82             | 2           | Bearing-Ball               | 20          | 138-1480           | 1           | Ring-Retaining, Int (52Mm) |
| 5           | 3290-485           | 1           | Washer-Wave                | 21          | 138-1504           | 2           | Key-Woodruff, 5Mm          |
| 6           | 132-4565           | 1           | Gear-Spur, 30T             | 22          | 133-9244           | 1           | Hub-Drum, Outer            |
| 7           | 138-1507           | 1           | Ring-Retaining, EXT (25Mm) | 23          | 253-161            | 1           | Seal-V-Ring                |
| 8           | 138-1491           | 1           | Seal-Oil                   | 24          | 104-9216           | 1           | Washer-Hardened            |
| 9           | 137-0274           | 1           | Gear-Spur, 108T            | 25          | 126-3841           | 1           | Nut-Hex, NI                |
| 10          | 49-2410            | 2           | Bearing-Ball               | 26          | 138-1490           | 1           | Seal-Oil                   |
| 11          | 138-1506           | 2           | Ring-Retaining, Int (32Mm) | 27          | 137-0275           | 1           | Gear-Spur, 114T            |
| 12          | 133-4558           | 1           | Pin-Bearing, Short         | 28          | 133-9078           | 1           | Nut-Hex                    |
| 13          | 80-8460            | 1           | O-Ring                     | 29          | 132-4569           | 1           | Gasket-Drive, Drum         |
| 14          | 133-4553           | 1           | Spacer-Bearing             | 30          | 137-0284           | 1           | Cover-Drive, Drum          |
| 15          | 119-4042           | 1           | Nut-HF, NI                 | 31          | 133-4559           | 1           | Seal-Oil                   |
| 16          | 251-312            | 2           | Bearing-Ball               | 32          | 3274-8             | 5           | Screw-HSH                  |
|             |                    |             |                            | 34          | 3274-12            | 1           | Screw-HSH                  |



## Transmission Assembly

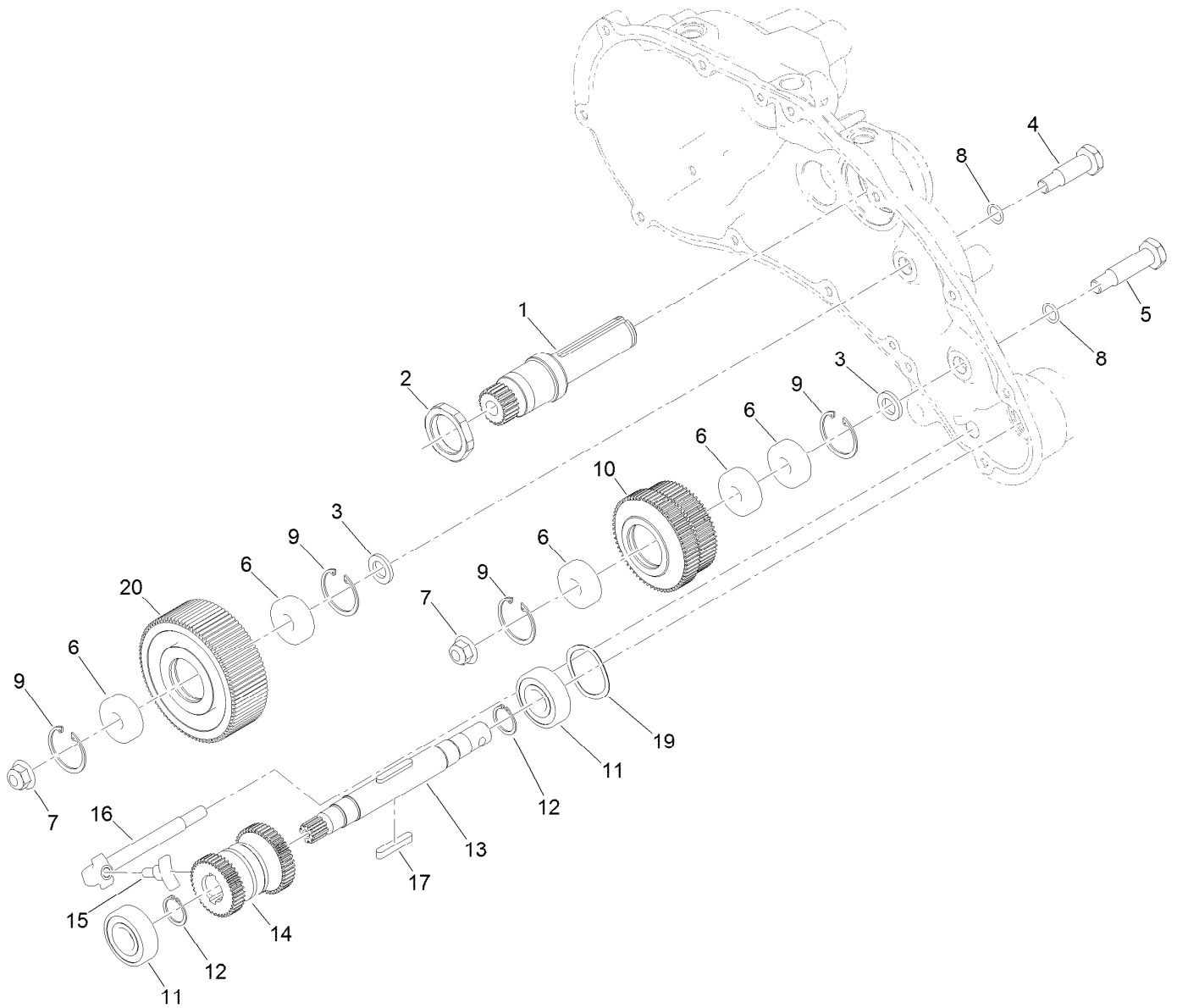
| <i>Ref.</i> | <i>Part Number</i> | <i>Qty.</i> | <i>Description</i>               | <i>Ref.</i> | <i>Part Number</i> | <i>Qty.</i> | <i>Description</i>   |
|-------------|--------------------|-------------|----------------------------------|-------------|--------------------|-------------|----------------------|
| 1           | 130-6820           | 1           | Transmission Gear Box<br>ASM     | 18          | 139-4328           | 1           | Shaft-Drive, 26 Inch |
| 2           | 115-5142           | 5           | Screw-HHF                        | 19          | 133-9207           | 1           | Adapter-Slider       |
| 3           | 32151-33           | 1           | Ring-Retaining, EXT              | 20          | 120-9638           | 1           | Nut-Jam              |
| 4           | 133-9095           | 1           | Disc-Clutch                      | 21          | 138-5545           | 1           | Cover-Clutch         |
| 5           | 133-9094           | 1           | Plate-Friction                   | 22          | 120-9678           | 2           | Screw-HHF            |
| 6           | 133-9123           | 1           | Spring-Compression, Clutch       | 23          | 133-9117           | 1           | Lever-Brake, Cable   |
| 7           | 138-1508           | 1           | Disc-Clutch, Slider              | 24          | 131-6150           | 1           | Screw-HWHTF          |
| 8           | 138-1505           | 1           | Bearing-Sealed, Self<br>Aligning | 25          | 139-4301           | 1           | Bell Housing ASM     |
| 9           | 132-4089           | 1           | Bushing                          | 25:2        | 120-9570           | 1           | Decal-Warning        |
| 10          | 125-5239           | 2           | Bushing-Flange                   | 26          | 138-3542           | 1           | Hub-Clutch, External |
| 11          | 138-3548           | 1           | Fork-Clutch                      | 27          | 138-5522           | 1           | Clamp-Hub, Clutch    |
| 12          | 138-3549           | 1           | Shaft-Fork                       | 28          | 3296-42            | 4           | Nut-Lock, NI         |
| 13          | 32151-47           | 3           | Ring-Retaining                   | 29          | 127-8639           | 2           | Screw-HHF            |
| 14          | 133-9100           | 4           | Coupler-Splined, 4 Tooth         | 30          | 138-5517           | 1           | Base-Engine          |
| 15          | 119-8952           | 2           | Washer                           | 31          | 139-4357           | 1           | O-Ring               |
| 16          | 126-8232           | 2           | Screw-Truss                      | 32          | 132-4619           | 1           | Tube-Drive, Reel     |
| 17          | 133-9128           | 1           | Spring-Compression,<br>Coupler   | 33          | 138-1616           | 1           | Tube-Drive           |



## Transmission Gearbox Assembly No. 130-6820 Transmission Case Assembly

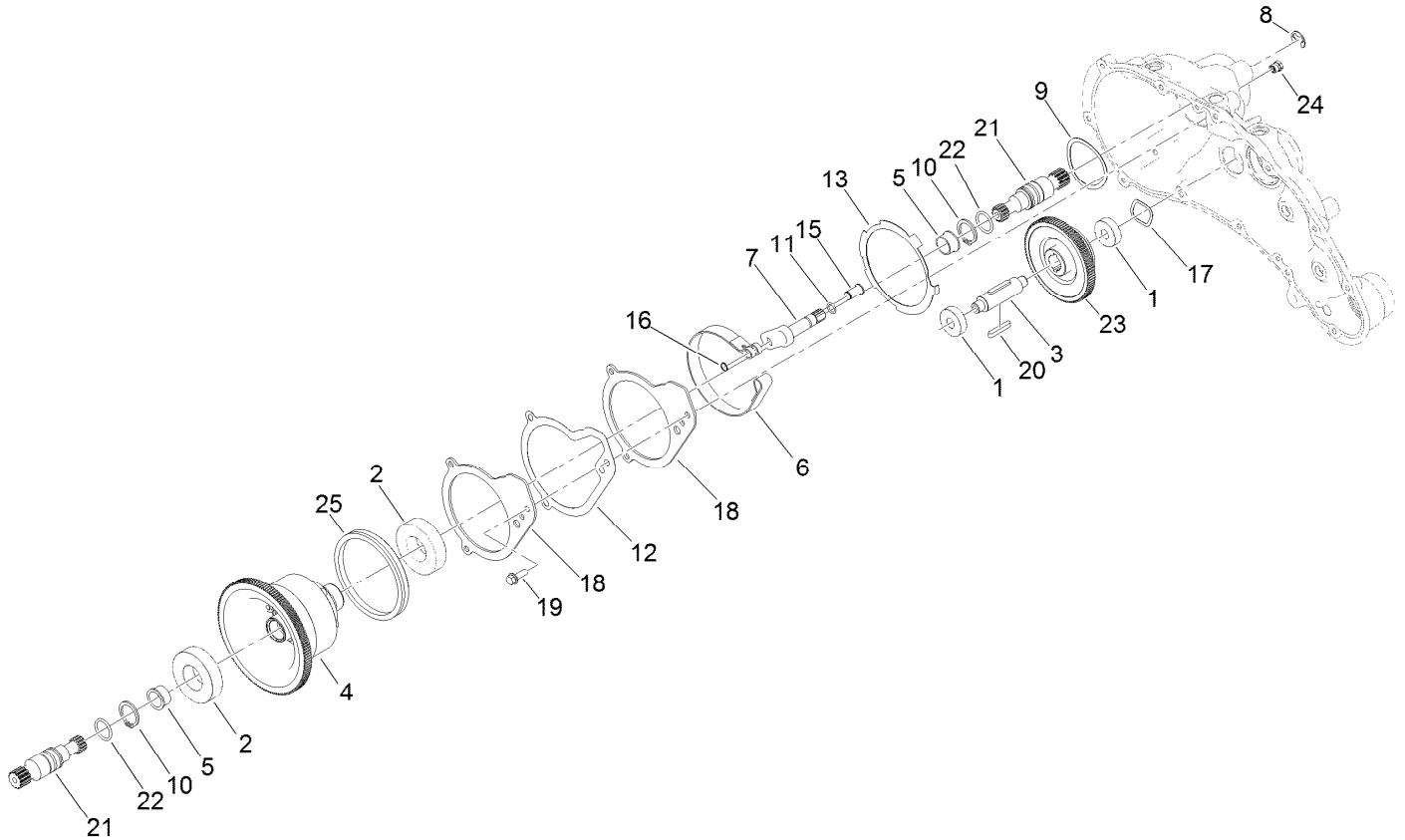
| <i>Ref.</i> | <i>Part Number</i> | <i>Qty.</i> | <i>Description</i>       | <i>Ref.</i> | <i>Part Number</i> | <i>Qty.</i> | <i>Description</i>       |
|-------------|--------------------|-------------|--------------------------|-------------|--------------------|-------------|--------------------------|
| 1           | 139-4306           | 1           | Transmission Housing ASM | 15          | 108-5059           | 1           | Spacer-Bushing           |
| 1:2         | 138-1644           | 1           | Decal-Release, Traction  | 16          | 32151-61           | 1           | Ring-Retaining           |
| 2           | 132-4551           | 1           | Gasket-Transmission      | 17          | 130-6816           | 1           | Shaft-Selector, Traction |
| 3           | 121-9281           | 2           | Bearing-Ball             | 18          | 116-5647           | 1           | Seal-Grease              |
| 4           | 138-1603           | 1           | Transmission Cover ASM   | 19          | 131-1879           | 1           | O-Ring Seal              |
| 5           | 125-5239           | 2           | Bushing-Flange           | 20          | 237-22             | 1           | O-Ring                   |
| 6           | 133-9122           | 1           | Pin-Mount, Brake         | 21          | 105-2442           | 1           | Ball-Detent              |
| 7           | 32151-92           | 2           | Ring-Retaining           | 22          | 105-2443           | 1           | Spring-Detent            |
| 8           | 251-82             | 2           | Bearing-Ball             | 23          | 131-1825           | 1           | Plug-ORB                 |
| 9           | 133-9075           | 2           | Seal-Oil                 | 24          | 121-9249           | 2           | Pin-Dowel                |
| 10          | 130-9463           | 2           | Seal-Oil                 | 25          | 133-9149           | 1           | Pin-Groomer              |
| 11          | 131-3038           | 2           | Bushing-Sleeve           | 26          | 353-989            | 2           | Plug-Hex, Hollow         |
| 12          | 131-3126           | 1           | Seal-Oil                 | 26:1        | 237-42             | 1           | O-Ring                   |
| 13          | 140-9233           | 12          | Screw-HSH                | 27          | 138-1496           | 1           | Spacer                   |
| 14          | 121-4738           | 2           | Bushing-Straight         | 29          | 105-7004           | 1           | E-Ring                   |





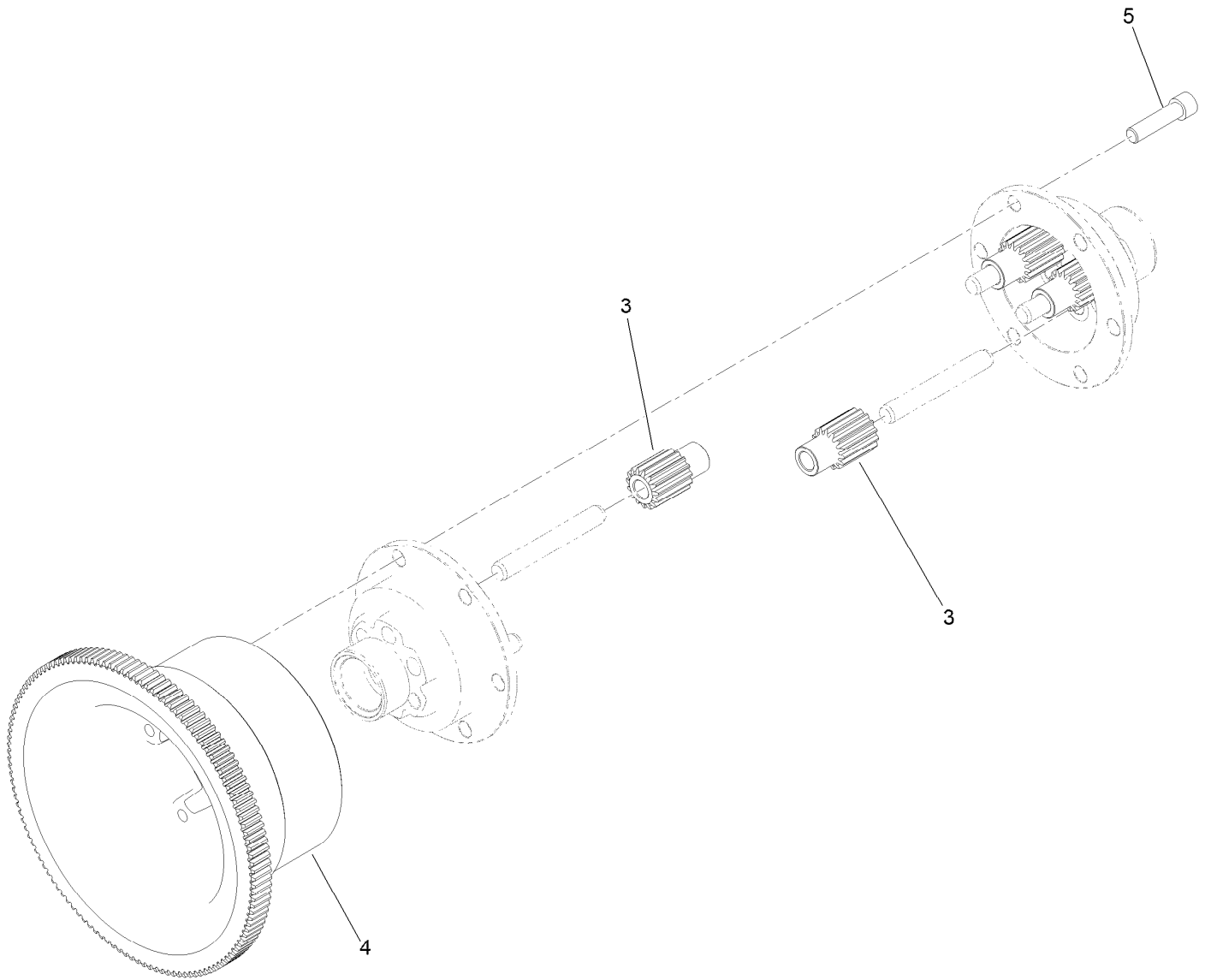
## Transmission Gearbox Assembly No. 130-6820 Reel Drive Assembly

| <i>Ref.</i> | <i>Part Number</i> | <i>Qty.</i> | <i>Description</i>         | <i>Ref.</i> | <i>Part Number</i> | <i>Qty.</i> | <i>Description</i>         |
|-------------|--------------------|-------------|----------------------------|-------------|--------------------|-------------|----------------------------|
| 1           | 138-1509           | 1           | Shaft-Input, 22T           | 11          | 38-7820            | 2           | Bearing-Ball               |
| 2           | 138-1495           | 1           | Nut-Lock, Thin             | 12          | 138-1629           | 2           | Ring-Retaining, EXT (17Mm) |
| 3           | 133-4553           | 2           | Spacer-Bearing             | 13          | 139-4359           | 1           | Shaft-Drive, Reel          |
| 4           | 133-4558           | 1           | Pin-Bearing, Short         | 14          | 130-6834           | 1           | Gear-Spur, Slider          |
| 5           | 133-4557           | 1           | Pin-Bearing, Long          | 15          | 133-9120           | 1           | Shoe-Clutch, Reel          |
| 6           | 49-2410            | 5           | Bearing-Ball               | 16          | 133-9121           | 1           | Actuator-Clutch, Reel      |
| 7           | 104-8301           | 2           | Nut-HF, NI                 | 17          | 103-2739           | 2           | Key                        |
| 8           | 80-8460            | 2           | O-Ring                     | 19          | 131-3170           | 1           | Spring-Wave                |
| 9           | 138-1506           | 4           | Ring-Retaining, Int (32Mm) | 20          | 137-0273           | 1           | Gear-Spur, 85T             |
| 10          | 137-0272           | 1           | Gear-Spur, 60T/65T         |             |                    |             |                            |



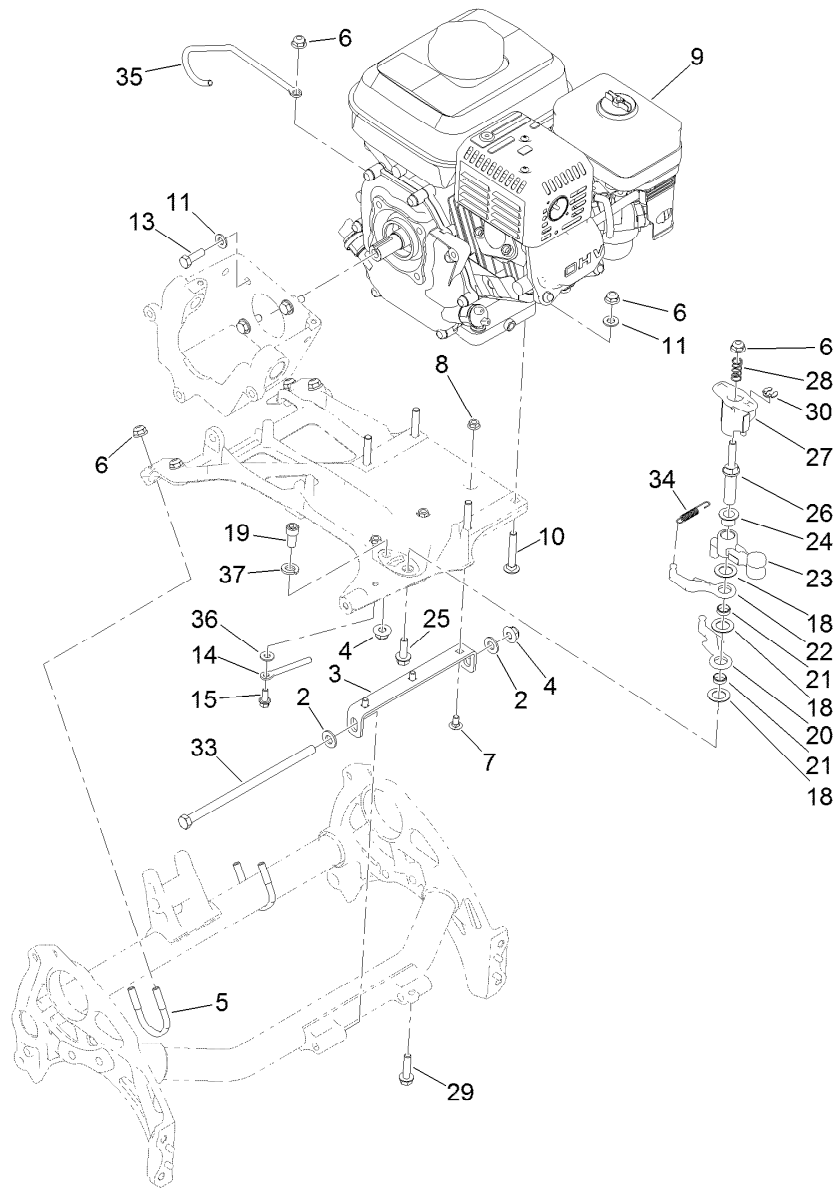
## Transmission Gearbox Assembly No. 130-6820 Traction Drive Assembly

| <i>Ref.</i> | <i>Part Number</i> | <i>Qty.</i> | <i>Description</i>       | <i>Ref.</i> | <i>Part Number</i> | <i>Qty.</i> | <i>Description</i>       |
|-------------|--------------------|-------------|--------------------------|-------------|--------------------|-------------|--------------------------|
| 1           | 49-2410            | 2           | Bearing-Ball             | 13          | 140-9236           | 1           | Plate-Retainer, Brake    |
| 2           | 251-312            | 2           | Bearing-Ball             | 15          | 120-9687           | 1           | Pin-Clevis, Brake        |
| 3           | 137-0236           | 1           | Shaft-Slider, Neutral    | 16          | 32120-46           | 1           | Ring-Retaining           |
| 4           | 132-4555           | 1           | Differential ASM         | 17          | 112-5163           | 1           | Washer-Wave              |
| 5           | 256-252            | 2           | Bearing-Flange           | 18          | 140-9237           | 2           | Plate-Seal, Brake        |
| 6           | 130-6824           | 1           | Band-Brake               | 19          | 119-1138           | 4           | Screw-HWH                |
| 7           | 132-4550           | 1           | Lever-Brake              | 20          | 103-2739           | 2           | Key                      |
| 8           | 32120-47           | 1           | Ring-Retaining, External | 21          | 130-6841           | 2           | Shaft-Differential       |
| 9           | 115-5258           | 1           | Spring-Wire, Flat        | 22          | 237-159            | 2           | O-Ring                   |
| 10          | 32151-36           | 2           | Ring-Retaining           | 23          | 137-0276           | 1           | Gear-Spur, Neutral (93T) |
| 11          | 237-22             | 1           | O-Ring                   | 24          | 133-4589           | 1           | Fitting-Plug             |
| 12          | 140-9249           | 1           | Gasket-Plate, Brake      | 25          | 138-1472           | 1           | V-Ring, Seal             |



## Differential Assembly No. 132-4555

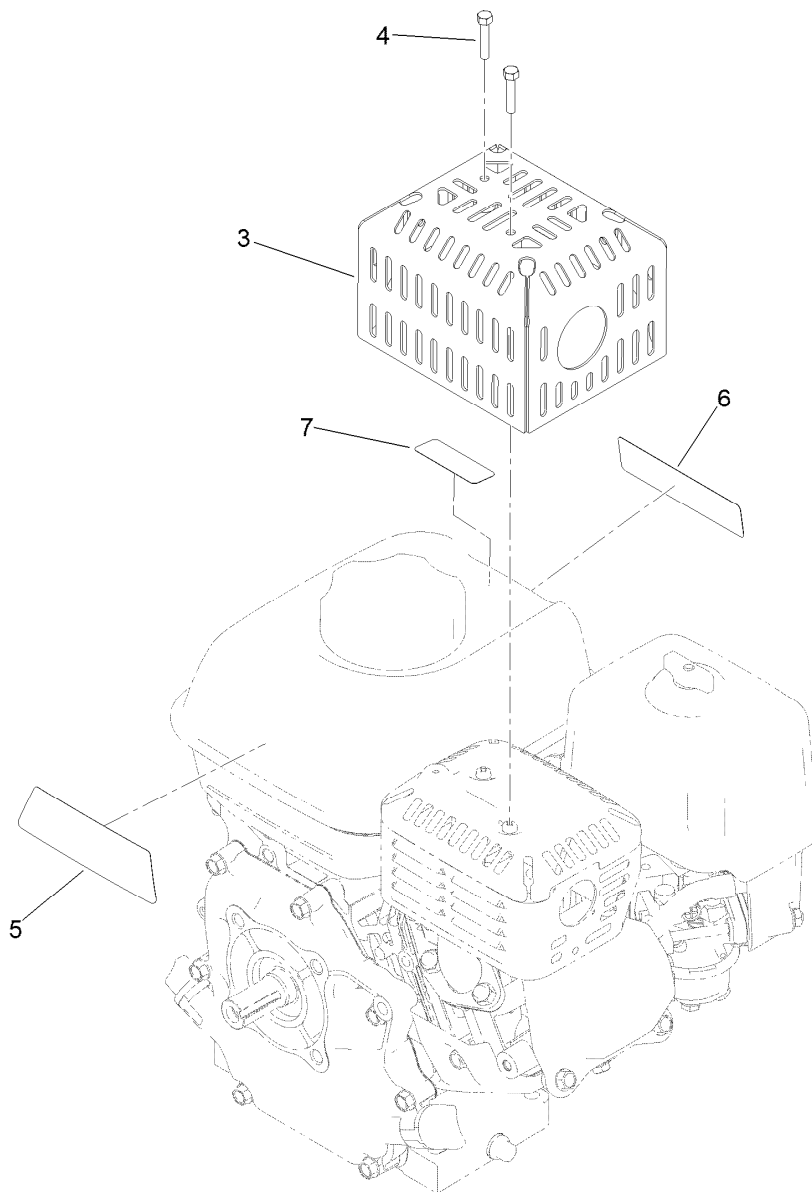
| <i>Ref.</i> | <i>Part Number</i> | <i>Qty.</i> | <i>Description</i>      |
|-------------|--------------------|-------------|-------------------------|
| 3           | 130-6840           | 6           | Gear-Spur, Differential |
| 4           | 137-0294           | 1           | Gear-Differential, 127T |
| 5           | 3274-26            | 6           | Screw-HSH               |



## Engine Assembly

| Ref. | Part Number | Qty. | Description           | Ref. | Part Number | Qty. | Description          |
|------|-------------|------|-----------------------|------|-------------|------|----------------------|
| 2    | 3256-24     | 2    | Washer-Flat           | 21   | 133-9226    | 2    | Bushing-Straight     |
| 3    | 138-1623-01 | 1    | Bracket-Mount, Engine | 22   | 138-1524    | 1    | Lever-Reel           |
| 4    | 119-4042    | 2    | Nut-HF, NI            | 23   | 133-9206    | 1    | Bellcrank-Reel       |
| 5    | 137-0301    | 2    | Clamp-Tube            | 24   | 125-5239    | 1    | Bushing-Flange       |
| 6    | 119-4041    | 9    | Nut-HF                | 25   | 115-5142    | 1    | Screw-HHF            |
| 7    | 116-5611    | 3    | Bolt-CARR             | 26   | 137-0298    | 1    | Shaft-Selector, Reel |
| 8    | 32128-10    | 3    | Nut-Lock, HHF         | 27   | 137-0299    | 1    | Hub-Selector, Reel   |
| 9    | 138-2142    | 1    | Engine ASM ●          | 28   | 117-1031    | 1    | Spring-Compression   |
| 10   | 3230-6      | 4    | Bolt-CARR             | 29   | 112-6913    | 1    | Screw-HHF            |
| 11   | 3256-23     | 8    | Washer-Plain          | 30   | 32151-47    | 1    | Ring-Retaining       |
| 13   | 131-5919    | 4    | Screw-HH, Patch       | 33   | 323-30      | 1    | Screw-HH             |
| 14   | 138-1591    | 1    | Guide-Cable           | 34   | 119-4609    | 1    | Spring-Extension     |
| 15   | 3234-33     | 1    | Screw-HHF             | 35   | 139-4309    | 1    | Guide-Cable          |
| 18   | 139-7362    | 3    | Washer-Poly           | 36   | 3256-22     | 1    | Washer-Flat          |
| 19   | 131-8573    | 1    | Screw-HSH             | 37   | 3253-21     | 1    | Washer-Lock          |
| 20   | 138-1523    | 1    | Reel Lever            |      |             |      |                      |

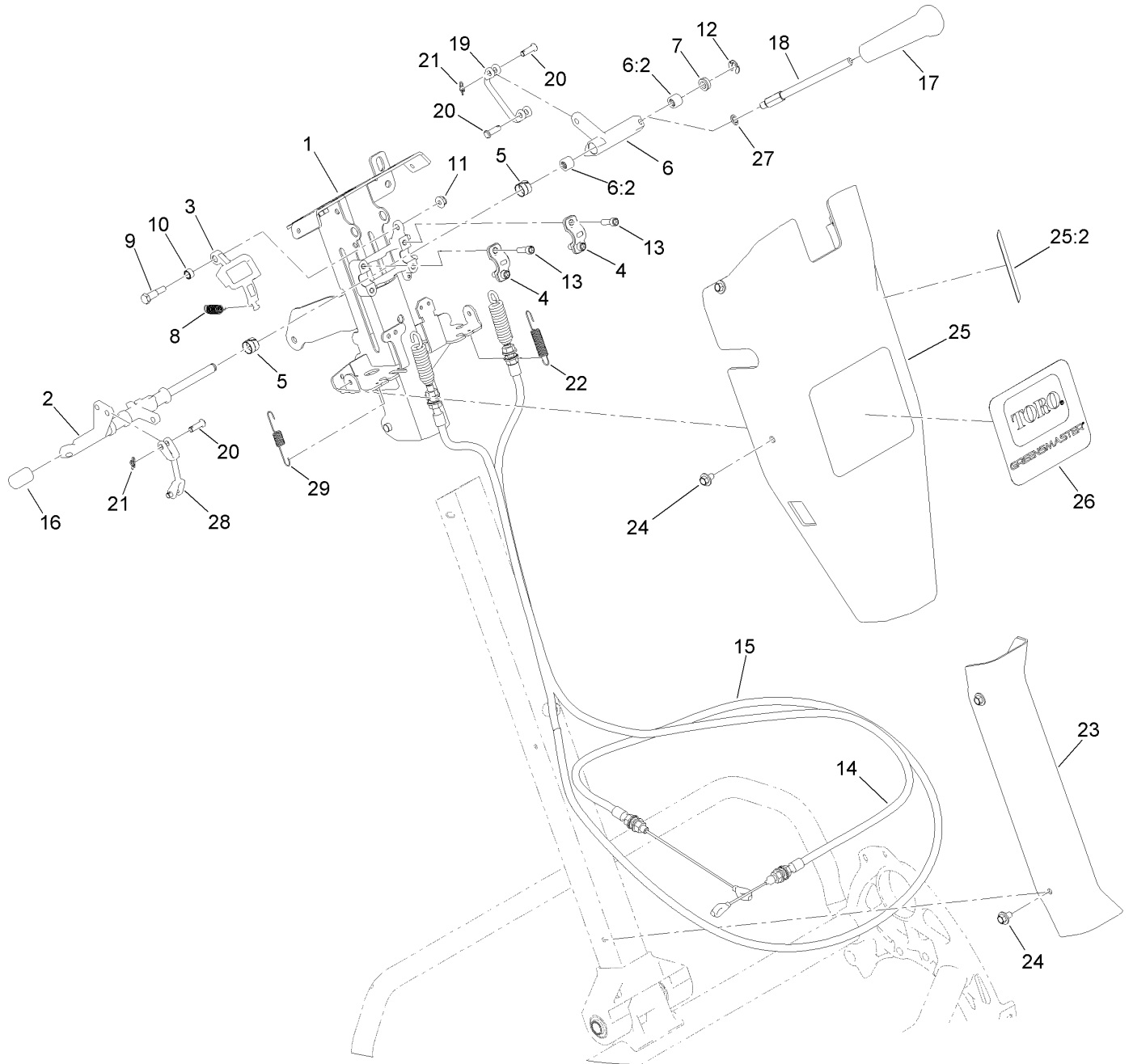
● Obtain parts from [www.honda-engines.com](http://www.honda-engines.com)



## Engine Assembly No. 138-2142

| <i>Ref.</i> | <i>Part Number</i> | <i>Qty.</i> | <i>Description</i>     |
|-------------|--------------------|-------------|------------------------|
| 3           | 138-2128-03        | 1           | Guard-Muffler          |
| 4           | 87-5150            | 2           | Screw-HH               |
| 5           | 138-2138           | 1           | Decal-Warning, Engine  |
| 6           | 133-8062           | 1           | Decal-Arrestor, Spark  |
| 7           | 130-8322           | 1           | Decal-Warning, Ethanol |

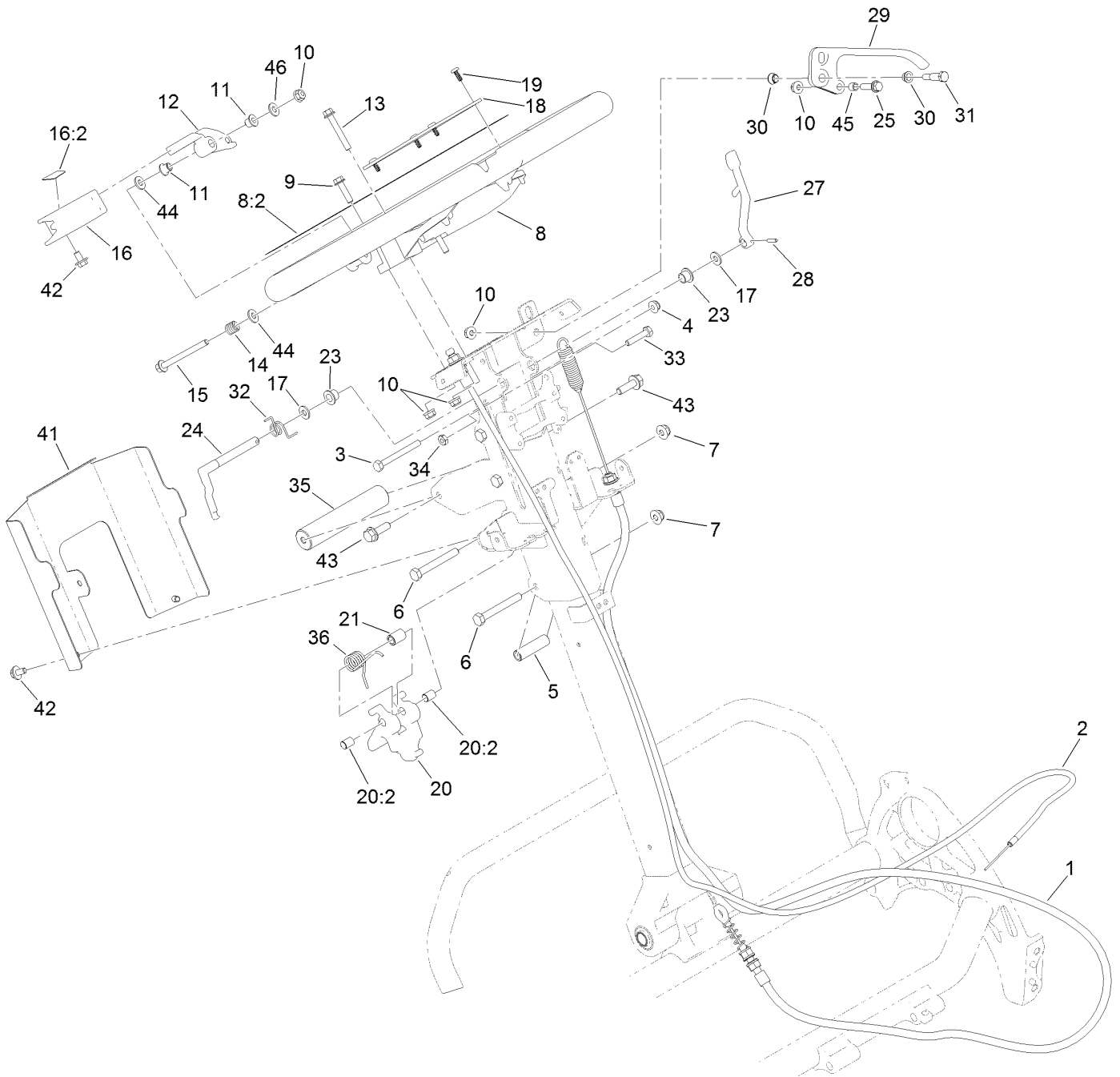
# Reel Controls and Covers Assembly



## Reel Controls and Covers Assembly (continued)

| <i>Ref.</i> | <i>Part Number</i> | <i>Qty.</i> | <i>Description</i>   | <i>Ref.</i> | <i>Part Number</i> | <i>Qty.</i> | <i>Description</i>             |
|-------------|--------------------|-------------|----------------------|-------------|--------------------|-------------|--------------------------------|
| 1           | 140-9217-0P        | 1           | Receiver-Upper       | 16          | 138-1641           | 1           | Stockcap                       |
| 2           | 137-0264           | 1           | Shaft-Main, Controls | 17          | 104-9760           | 1           | Knob-Black                     |
| 3           | 137-0266           | 1           | Cam-Latch, Upper     | 18          | 137-0190           | 1           | Rod-Handle, Reel Lever         |
| 4           | 138-1513           | 2           | Clamp-Shaft, Control | 19          | 137-0232           | 1           | Connector-Clevis               |
| 5           | 137-0263           | 2           | Bushing-Split        | 20          | 1-808265           | 4           | Pin-Clevis                     |
| 6           | 137-0312           | 1           | Reel Lever ASM       | 21          | 138-1587           | 2           | Clip-Pin, Cotter               |
| 6:2         | 138-1637           | 2           | Bearing-Needle       | 22          | 138-1536           | 1           | Spring-Extension               |
| 7           | 131-3187           | 1           | Seal-V-Ring          | 23          | 138-1479           | 1           | Cover-Handle, Lower            |
| 8           | 140-3410           | 1           | Spring-Extension     | 24          | 46-6810            | 8           | Screw And Washer ASM           |
| 9           | 137-0313           | 1           | Screw-Shoulder       | 25          | 139-4304           | 1           | Control Upper Cover ASM        |
| 10          | 137-0346           | 1           | Spacer-Latch, Bail   | 25:2        | 138-1589           | 1           | Decal-Reel Drive<br>Engagement |
| 11          | 104-7201           | 1           | Nut-HF               | 26          | 138-1581           | 1           | Decal-Greensmaster 1026        |
| 12          | 32151-47           | 1           | Ring-Retaining       | 27          | 75-5470            | 1           | Spacer-Bearing                 |
| 13          | 3274-8             | 4           | Screw-HSH            | 28          | 138-1592           | 1           | Connector-Clevis               |
| 14          | 137-0180           | 1           | Cable-Clutch         | 29          | 140-3417           | 1           | Spring-Extension               |
| 15          | 137-0181           | 1           | Cable-Traction       |             |                    |             |                                |

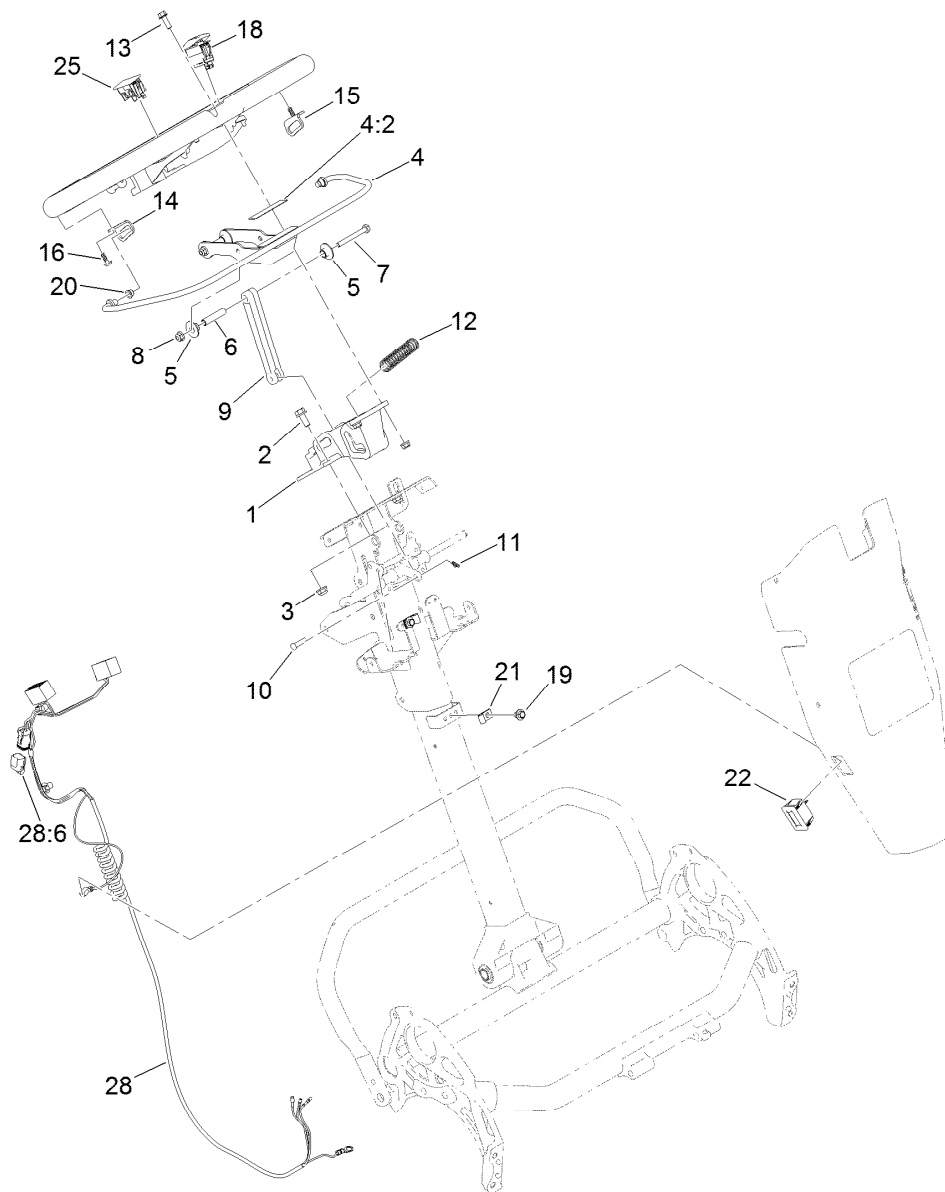
# Upper Handle Assembly





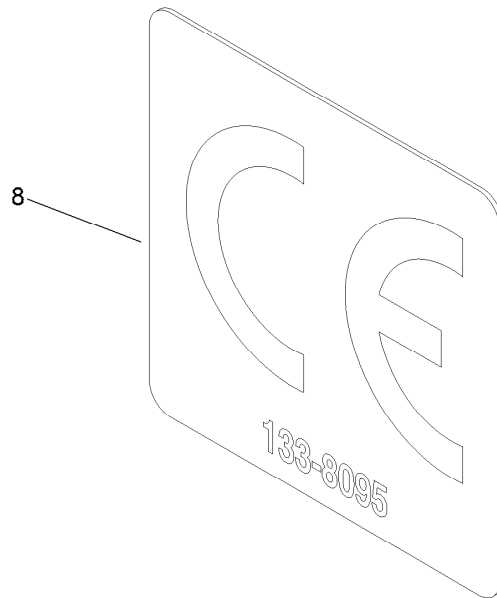
## Upper Handle Assembly (continued)

| <i>Ref.</i> | <i>Part Number</i> | <i>Qty.</i> | <i>Description</i>       | <i>Ref.</i> | <i>Part Number</i> | <i>Qty.</i> | <i>Description</i>     |
|-------------|--------------------|-------------|--------------------------|-------------|--------------------|-------------|------------------------|
| 1           | 137-0183           | 1           | Cable-Brake              | 20:2        | 137-0308           | 2           | Bushing-Igus           |
| 2           | 137-0182           | 1           | Cable-Throttle           | 21          | 137-0318           | 1           | Spacer-Spring          |
| 3           | 321-15             | 1           | Screw-HH                 | 23          | 138-1514           | 2           | Bushing-Flange         |
| 4           | 104-7201           | 1           | Nut-HF                   | 24          | 138-1573           | 1           | Latch-Brake            |
| 5           | 110-0618           | 1           | Pin-Clevis               | 25          | 119-1066           | 1           | Screw-HF               |
| 6           | 75-5470            | 1           | Spacer-Bearing           | 27          | 140-3377           | 1           | Lever-Lock, Brake      |
| 7           | 3272-6             | 1           | Pin-Cotter               | 28          | 32121-73           | 1           | Pin-Roll               |
| 8           | 138-1645           | 1           | Handle ASM               | 29          | 138-5505           | 1           | Lever                  |
| 8:2         | 138-5532           | 1           | Decal-Warning, General   | 30          | 138-5538           | 2           | Bushing-Flange         |
| 9           | 120-4654           | 2           | Screw-HHF                | 31          | 138-1559           | 1           | Screw-Shoulder         |
| 10          | 119-4040           | 5           | Nut-Flange, NI           | 32          | 138-1518           | 1           | Spring-Brake, Torsion  |
| 11          | 138-3538           | 2           | Bushing-Flange           | 33          | 114-0282           | 1           | Screw-HH               |
| 12          | 138-1636           | 1           | Arm-Throttle             | 34          | 120-9695           | 1           | Nut-Jam                |
| 13          | 138-5527           | 1           | Screw-HHF                | 35          | 138-1535           | 1           | Handle-Assist, Lift    |
| 14          | 3-5787             | 1           | Spring-Compression       | 36          | 138-1481           | 1           | Spring-Handle, Torsion |
| 15          | 114-8410           | 1           | Screw-HHF                | 41          | 138-5530-03        | 1           | Cover-Bottom, Controls |
| 16          | 139-4303           | 1           | Throttle Lever ASM       | 42          | 46-6810            | 3           | Screw And Washer ASM   |
| 16:2        | 138-5534           | 1           | Decal-Throttle           | 43          | 115-5142           | 2           | Screw-HHF              |
| 17          | 33095-00           | 2           | Washer-Flat              | 44          | 3256-22            | 2           | Washer-Flat            |
| 18          | 138-5514           | 1           | Plate-Notepad, Handle    | 45          | 120-6564           | 1           | Spacer                 |
| 19          | 127-6843           | 4           | Screw-Plastite, Torx Pan | 46          | 139-1323           | 1           | Washer-Spcl            |
| 20          | 137-0317           | 1           | Handle Adjuster ASM      |             |                    |             |                        |



## Traction Bail Assembly

| <i>Ref.</i> | <i>Part Number</i> | <i>Qty.</i> | <i>Description</i>   | <i>Ref.</i> | <i>Part Number</i> | <i>Qty.</i> | <i>Description</i>            |
|-------------|--------------------|-------------|----------------------|-------------|--------------------|-------------|-------------------------------|
| 1           | 138-5524           | 1           | Mount-Handle         | 13          | 120-9678           | 2           | Screw-HHF                     |
| 2           | 3234-47            | 2           | Screw-HHF            | 14          | 138-3539           | 1           | Bracket-Bail, RH              |
| 3           | 119-4041           | 2           | Nut-HF               | 15          | 138-3540           | 1           | Bracket-Bail, LH              |
| 4           | 139-4302           | 1           | Clutch Bail ASM      | 16          | 138-5775           | 2           | Screw-Delta Point             |
| 4:2         | 138-5533           | 1           | Decal-Bail, Traction | 18          | 122-1497           | 1           | Switch-Rocker,<br>On-None-Off |
| 5           | 138-3466           | 4           | Bushing-Flange       | 19          | 46-6810            | 2           | Screw And Washer ASM          |
| 6           | 138-3465           | 2           | Spacer-Tube          | 20          | 138-5538           | 2           | Bushing-Flange                |
| 7           | 321-18             | 2           | Screw-HH             | 21          | 2412-72            | 2           | Clip-Closed, Insulated        |
| 8           | 119-4040           | 4           | Nut-Flange, NI       | 22          | 119-1347           | 1           | Meter-Hour                    |
| 9           | 138-5515           | 1           | Link-Bail, Clutch    | 25          | 119-7791           | 1           | Plug-Hole, Carling            |
| 10          | 353-322            | 1           | Pin-Clevis           | 28          | 122-1416           | 1           | Harness-Wire                  |
| 11          | 138-1587           | 1           | Clip-Pin, Cotter     | 28:6        | 32180-091          | 1           | Cap-Dust, 2 Way               |
| 12          | 138-3468           | 1           | Spring-Compression   |             |                    |             |                               |



## CE Decal

| <i>Ref.</i> | <i>Part Number</i> | <i>Qty.</i> | <i>Description</i> |
|-------------|--------------------|-------------|--------------------|
| 8           | 133-8095           | 1           | Decal-CE           |

# Attachments and Accessories

## For 04840 Greensmaster 1026 Mower

| <b>Product Name</b>                                | <b>Model/Part</b> |
|--|-------------------|
| Wheel Kit .....                                    | 04123             |
| Split Full 26in Roller .....                       | 04127             |
| Light Kit (2019+) .....                            | 04135             |
| Push Broom Kit, Walk Greensmower (2019+) .....     | 04136             |
| Split Wiehle 26in Roller .....                     | 04137             |
| 26in Extended Wiehle Roller (2019+) .....          | 04146             |
| Trans Pro 80 Tow-Behind Trailer.....               | 04238             |
| Trans Pro 100 Tow-Behind Trailer.....              | 04240             |
| Flat Ramp .....                                    | 04245             |
| Rail Ramp Kit (Update).....                        | 04247             |
| 26in Stiff Grooming Brush.....                     | 04276             |
| Turf Evaluator .....                               | 04399             |
| Universal Groomer Drive .....                      | 04707             |
| Backlap Kit.....                                   | 04800             |
| 26in Twin Tip Groomer Reel .....                   | 04803             |
| 26in Interlace Narrow Wiehle Roller Asm.....       | 04806             |
| 26in Full Front Roller Asm .....                   | 04816             |
| 26in Wide Wiehle Roller Asm .....                  | 04826             |
| 8-Blade 26in Fixed EDGESERIES CU.....              | 04842             |
| 11-Blade 26in Fixed EDGESERIES CU.....             | 04843             |
| Bedknife-Highcut .....                             | 104-2646          |
| Bedknife-Fairway.....                              | 107-8181          |
| Bedknife-Micro-Cut.....                            | 112-9275          |
| Roller Extension Kit .....                         | 115-7361          |
| Bedknife-EDGEMAX, Tournament Cut .....             | 117-1548          |
| MVP Kit-Cutting Unit Re-Build .....                | 121-2637          |
| Premium Engine Oil 10w30 (55 Gallon Drum) .....    | 121-6392          |
| Premium Engine Oil 10w30 (5 Gallon Pail) .....     | 121-6393          |
| Toro Reel Paper (10 Pack).....                     | 125-5610          |
| 26in Stiff Grooming Brush Kit.....                 | 127-1549          |
| Angle Indicator.....                               | 131-6828          |
| Angle Indicator Mount.....                         | 131-6829          |
| Blade-Groomer, Universal Harden Blade (Thin) ..... | 132-4626          |
| Grease-Synthetic.....                              | 136-8595          |
| Bedbar-26in .....                                  | 138-1522-01       |
| Bedknife-EDGEMAX, 26in Microcut Short .....        | 139-4322          |
| Bedknife-EDGEMAX, 26in Tournament Short.....       | 139-4323          |
| Bedknife-EDGEMAX, 26in Microcut .....              | 139-4324          |
| Traction Lever Kit.....                            | 139-4330          |
| Access Backlap Kit .....                           | 139-4342          |
| Wireless Hour Meter Kit .....                      | 139-4369          |
| 26in Interlaced Roller Scraper Asm .....           | 139-4394          |
| 26in Full Roller Scraper Asm .....                 | 139-4398          |
| 26in Smooth Roller Scraper Brush Asm.....          | 139-5117          |
| 26in Interlaced Roller Scraper Brush Asm .....     | 139-5125          |
| 26in Wide Wiehle Roller Scraper Asm .....          | 139-7406          |

# Attachments and Accessories (continued)

Wide Wiehle Roller Scraper Brush Asm..... 139-7410  
Shim-TORO Reel (.002in) ..... 140-5531  
Bedknife-1/8in..... 93-9015  
Bedknife-Tournament Cut..... 94-5885  
Height-of-Cut Bar..... 94-9010  
Extended HOC Arm ..... 99-4286

**Notes:**

**Notes:**



**Count on it.**