



**Count on it.**

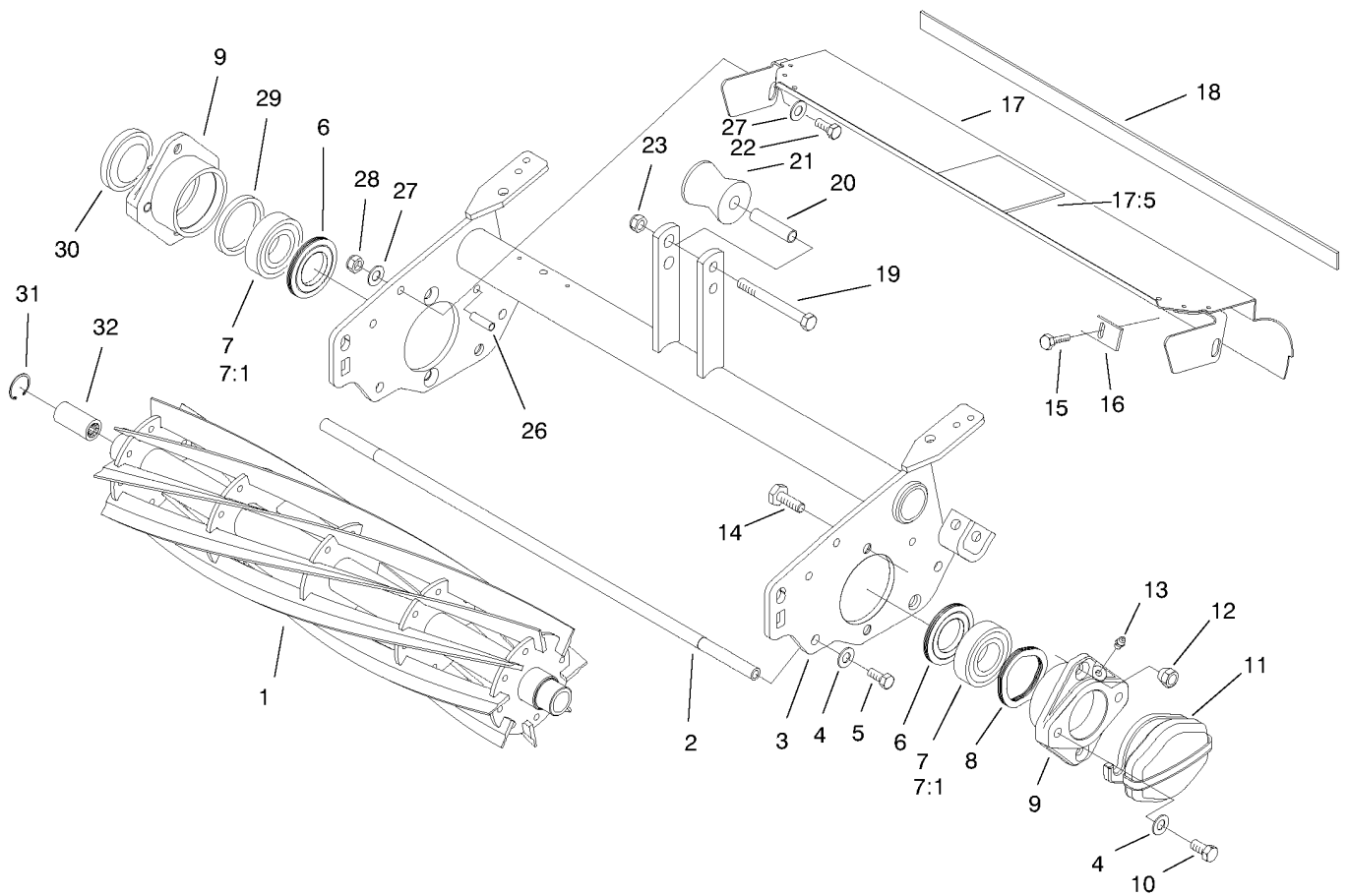
**Parts Catalog**

**8 and 11 Blade 4-Bolt Reel Mower  
Greensmaster® 3200**

Model No. 04480—Serial No. 200000001 and Up

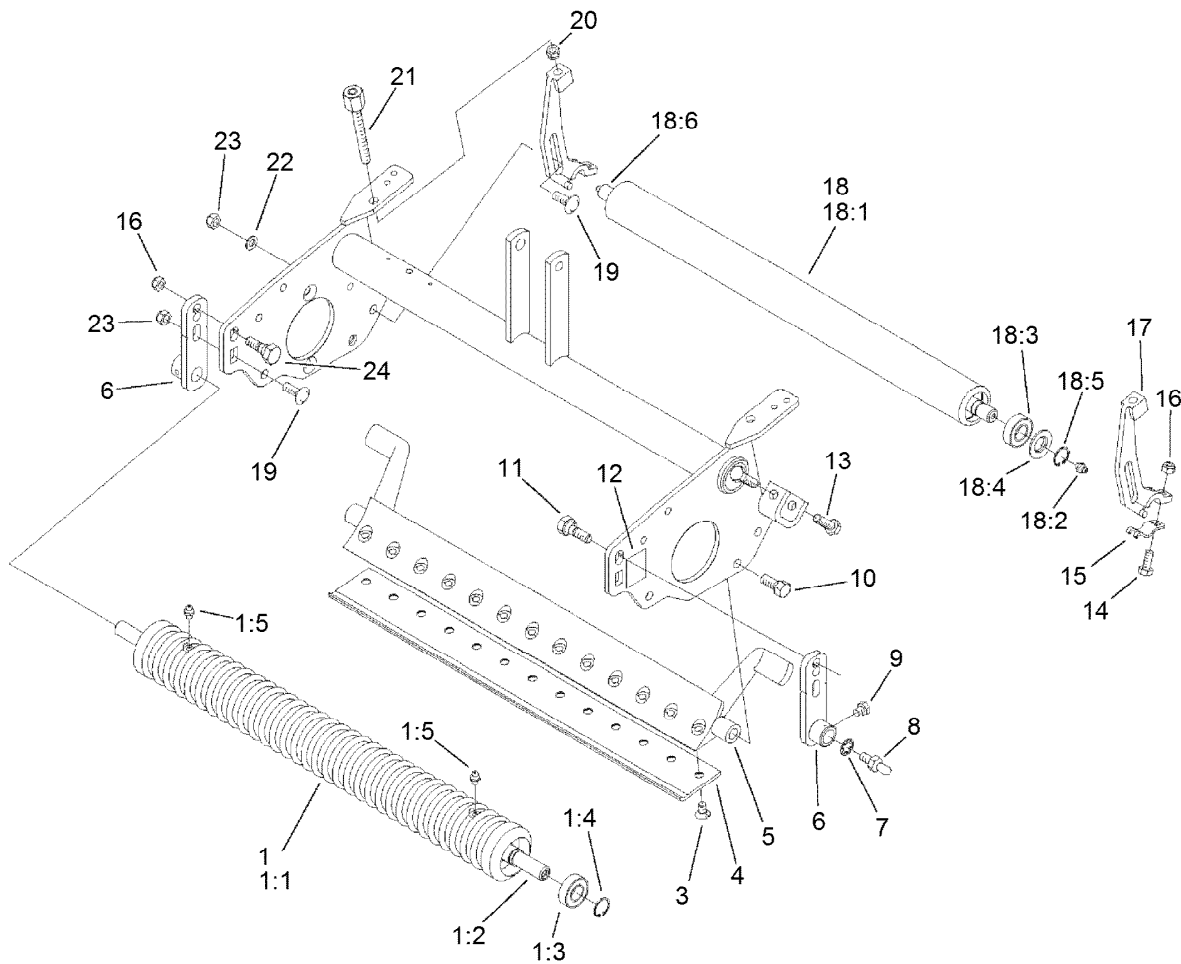
Model No. 04481—Serial No. 200000001 and Up





## Reel Assembly

<i>Ref.</i>	<i>Part Number</i>	<i>Qty.</i>	<i>Description</i>	<i>Ref.</i>	<i>Part Number</i>	<i>Qty.</i>	<i>Description</i>
1	94-4356	1	8 Bld Reel ASM (Only On: 04480)	15	32144-73	5	Screw-HWH
1	94-4357	1	11 Bld Reel ASM (Only On: 04481)	16	36-7260	1	Bar-Off, Cut
2	98-2196	1	Rod-Shield	17	99-4197	1	Rear Shield ASM
3	95-1635-01	1	Reel Frame ASM	17:5	99-1456	1	Pad-Unit, Cutting
4	3256-24	4	Washer-Flat	18	95-1636	1	Strip-Seal
5	33115-020	2	Screw-HH	19	33115-080	1	Screw-HH
6	94-8908	2	Seal - Grease	20	93-2464	1	Spacer-Roller
7		2	Bearing, Packed W/Grease	21	93-2463	1	Roller-Lift
7:1	93-2489	1	Bearing	22	33114-020	2	Screw-HH
8	94-4543	1	Spring-Wire, Flat	23	33025-00	1	Nut-Lock, NI
9	94-4545	2	Housing-Bearing	26	32121-123	2	Pin-Roll
10	93-2569	4	Screw-HHF	27	3256-74	4	Washer-Flat
11	95-1642-01	1	Weight-Counter	28	33024-00	2	Nut-Lock, NI
12	93-2454	4	Nut-Lock, Tapered	29	94-4544	1	Spacer
13	302-5	2	Fitting-Grease	30	2410-30	1	Cap-Plastic
14	95-0745	4	Screw-Tapered	31	32120-37	1	Ring-Retaining
				32	94-4507	1	Coupler-Splined



## Roller Assembly

Ref.	Part Number	Qty.	Description	Ref.	Part Number	Qty.	Description
1	99-4211	1	Front Roller ASM	11	95-1618	1	50lt-Shoulder
1:1	99-4147	1	Roller-Wiehle	12	94-8169	2	Decal-Position, Bracket
1:2	93-2470	1	Shaft - Roller	13	33114-030	4	Screw-HH
1:3	93-2559	2	Bearing-Ball	14	33114-020	2	Screw-HH
1:4	93-2525	2	Ring-Retaining	15	99-8168	2	Collar-HOC
1:5	302-5	2	Fitting-Grease	16	33024-00	4	Nut-Lock, NI
3	57-4910	13	Screw-Special	17	95-1638	2	Bracket-Rear, HOC Adjust
4	94-6392	1	Bedknife-Highcut (21In GR)	18	95-2910	1	Roller ASM
4	93-4264	1	Bedknife-Low Cut (21In GR)	18:1	95-2913	1	Roller Tube ASM
4	93-4263	1	Bedknife-Tournament Cut (21In GR)	18:2	302-5	2	Fitting-Grease
4	63-8600	1	Bedknife-Fairway	18:3	85-9970	2	Bearing-Ball
4	93-4262	1	Bedknife-Microcut (21In GR)	18:4	85-7190	2	Washer-Shield
5	93-2576-01	1	Bedbar	18:5	32151-12	2	Ring-Retaining
6	94-8170	2	Bracket-Front	18:6	95-2912	1	Shaft-Roller
7	3254-6	2	Washer-Lock, Internal	19	33125-025	4	Screw-CARR
8	94-2958	2	Stud-Ball	20	3296-5	2	Nut-Hex
9	33113-012	2	Screw-HH	21	95-1633	2	HOC Adjust ASM
10	217-74	2	Bolt-Wheel	22	3256-46	2	Washer-Flat
				23	33025-00	4	Nut-Lock, NI
				24	95-1617	1	Bolt-Eccentric



**Count on it.**