



# Introduction

This machine is intended to be used by residential homeowners. It is designed primarily for removing snow from paved surfaces, such as driveways and sidewalks, and other surfaces for traffic on residential or commercial properties. It is not designed for removing materials other than snow. Using this product for purposes other than its intended use could prove dangerous to you and bystanders.

Read this information carefully to learn how to operate and maintain your product properly and to avoid injury and product damage. You are responsible for operating the product properly and safely.

Visit [www.Toro.com](http://www.Toro.com) for product safety and operation training materials, accessory information, help finding a dealer, or to register your product.

Whenever you need service, genuine Toro parts, or additional information, contact an Authorized Service Dealer or Toro Customer Service and have the model and serial numbers of your product ready. **Figure 1** identifies the location of the model and serial numbers on the product. Write the numbers in the space provided.

**Important:** With your mobile device, you can scan the QR code on the serial number decal (if equipped) to access warranty, parts, and other product information.

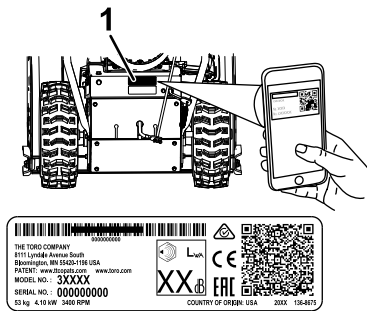


Figure 1

- 1. Model and serial number location

Model No. \_\_\_\_\_  
Serial No. \_\_\_\_\_

This manual identifies potential hazards and has safety messages identified by the safety-alert symbol (**Figure 2**), which signals a hazard that may cause serious injury or death if you do not follow the recommended precautions.



Figure 2

Safety-alert symbol

g000502

This manual uses 2 words to highlight information. **Important** calls attention to special mechanical information and **Note** emphasizes general information worthy of special attention.

This product complies with all relevant European directives; for details, please see the separate product specific Declaration of Conformity (DOC) sheet.

**Important:** If you are using this machine above 1500 m (5,000 ft) for a continuous period, ensure that the High Altitude Kit has been installed so that the engine meets CARB/EPA emission regulations. The High Altitude Kit increases engine performance while preventing spark-plug fouling, hard starting, and increased emissions. Once you have installed the kit, attach the high-altitude label next to the serial decal on the machine. Contact any Authorized Toro Service Dealer to obtain the proper High Altitude Kit and high-altitude label for your machine. To locate a dealer convenient to you, access our website at [www.Toro.com](http://www.Toro.com) or contact our Toro Customer Care Department at the number(s) listed in your Emission Control Warranty Statement. Remove the kit from the engine and restore the engine to its original factory configuration when running the engine under 1500 m (5,000 ft). Do not operate an engine that has been converted for high-altitude use at lower altitudes; otherwise, you could overheat and damage the engine.

If you are unsure whether or not your machine has been converted for high-altitude use, look for the following label (**Figure 3**).



NOTE: THE ENGINE ON THIS PRODUCT HAS BEEN MODIFIED FOR USE AT ABOVE 5,000 FEET ELEVATION. IF USING BELOW 5,000 FEET, IT MUST BE REVISED BACK TO ORIGINAL SPECIFICATIONS.

127-9363

decal127-9363

**Figure 3**

# Contents

Introduction ..... 1

Safety ..... 2

    General Safety ..... 2

    Safety and Instructional Decals ..... 3

Setup ..... 5

    1 Installing the Upper Handle ..... 5

    2 Installing the Wheel-Clutch-Cable Ends..... 5

    3 Installing the Traction-Control Linkage ..... 6

    4 Installing the Chute-Control Rod ..... 6

    5 Installing the Snow-Cleanout Tool ..... 7

    6 Checking the Engine-Oil Level ..... 8

    7 Checking the Tire Pressure ..... 8

    8 Checking the Skids and Scraper ..... 8

    9 Checking the Operation of the Traction Drive ..... 8

Product Overview ..... 10

    Specifications ..... 10

    Attachments/Accessories ..... 10

Operation ..... 11

    Before Operation ..... 11

        Before Operation Safety ..... 11

        Filling the Fuel Tank ..... 11

    During Operation ..... 12

        During Operation Safety ..... 12

        Starting the Engine ..... 12

        Shutting Off the Engine ..... 14

        Operating the Handwarmers ..... 14

        Operating the Traction Drive ..... 14

        Using the Wheel-Clutch Levers ..... 15

        Operating the Speed Selector ..... 15

        Operating the Auger/Impeller Drive ..... 15

        Operating the Quick Stick® ..... 16

        Clearing a Clogged Discharge Chute ..... 17

        Operating Tips ..... 17

    After Operation ..... 18

        After Operation Safety ..... 18

        Preventing Freeze-up after Use ..... 18

Maintenance ..... 19

    Recommended Maintenance Schedule(s) ..... 19

    Maintenance Safety ..... 19

    Preparing for Maintenance ..... 19

    Checking the Engine-Oil Level ..... 20

Checking and Adjusting the Skids and Scraper ..... 20

Checking and Adjusting the Traction Cable ..... 21

Checking and Adjusting the Auger/Impeller Cable ..... 22

Checking the Auger-Gearbox-Oil Level..... 23

Changing the Engine Oil ..... 23

Lubricating the Hex Shaft ..... 24

Replacing the Spark Plug ..... 25

Replacing the Drive Belts ..... 25

Replacing the Headlight ..... 26

Storage ..... 27

    Storage Safety ..... 27

    Storing the Machine ..... 27

    Removing the Machine from Storage ..... 27

Troubleshooting ..... 28

# Safety

This machine has been designed in accordance with EN ISO 8437 specifications.

## General Safety

This product is capable of amputating hands and feet and of throwing objects. Always follow all safety instructions to avoid serious personal injury.

- Read and understand the contents of this *Operator's Manual* before you start the engine. Ensure that everyone using this product knows how to use it, knows how to shut off the engine quickly, and understands the warnings.
- Shut off the engine whenever you leave the operating position for any reason.
- Do not put your hands or feet near moving parts on the machine.
- Do not operate the machine without all guards and other safety protective devices in place and working.
- Keep clear of any discharge opening. Keep bystanders, especially small children, out of the operating area.
- Never allow children to operate the machine.

# Safety and Instructional Decals



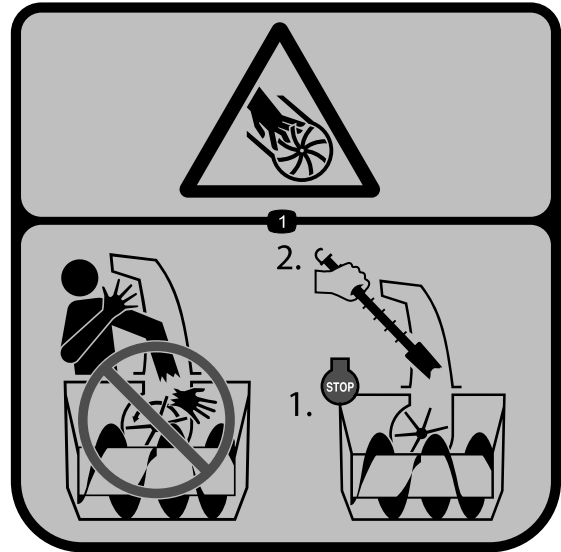
Safety decals and instructions are easily visible to the operator and are located near any area of potential danger. Replace any decal that is damaged or missing.



120-9805

decal120-9805

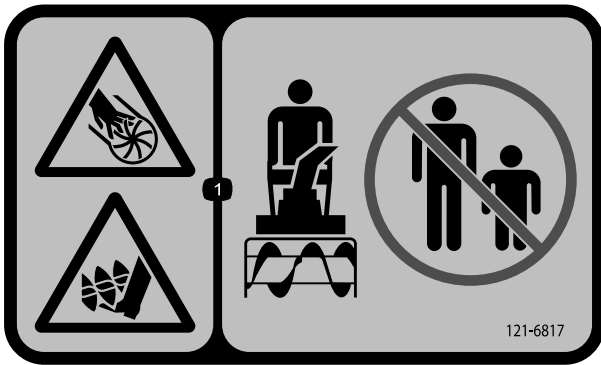
1. Insert the key.
2. Prime the engine 3 times.
3. Engage the choke.
4. Pull the starter cord.
5. Once the engine is running, disengage the choke.



121-6847

decal121-6847

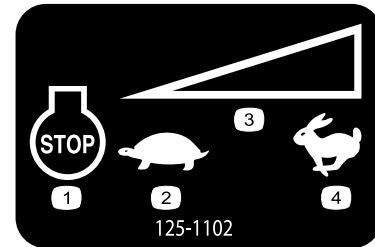
1. Cutting/dismemberment hazard of the fingers or hand, impeller—do not place your hand in the chute; shut off the engine before using the tool to clear the chute.



121-6817

decal121-6817

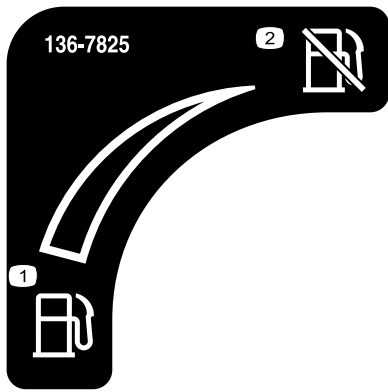
1. Cutting/dismemberment hazard of hand or foot, impeller and auger—keep bystanders away.



125-1102

decal125-1102

1. Engine—shut off
2. Slow
3. Variable speed control
4. Fast



136-7825

2

1

136-7825

decal136-7825

- 1. Fuel
- 2. Fuel shutoff

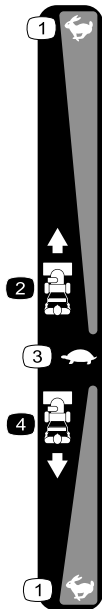


138-0650

decal138-0650

- 1. Squeeze the lower lever to turn left.
- 2. Squeeze the upper lever to engage the traction drive.
- 3. Warning—read the *Operator's Manual*.
- 4. Cutting/dismemberment of fingers or hand, impeller blade—do not place your hand in the chute; shut off the engine before using the tool to clear the chute.
- 5. Cutting/dismemberment of fingers or hand, impeller blade—keep away from moving parts; keep all guards and shields in place; remove the key from the ignition before servicing the machine.
- 6. Thrown object hazard—keep bystanders away.
- 7. Squeeze the upper lever to engage the impeller.
- 8. Squeeze the lower lever to turn right.

Order Part Number 144-0333



144-0326

decal144-0326

- 1. Fast
- 2. Forward speed
- 3. Slow
- 4. Reverse speed

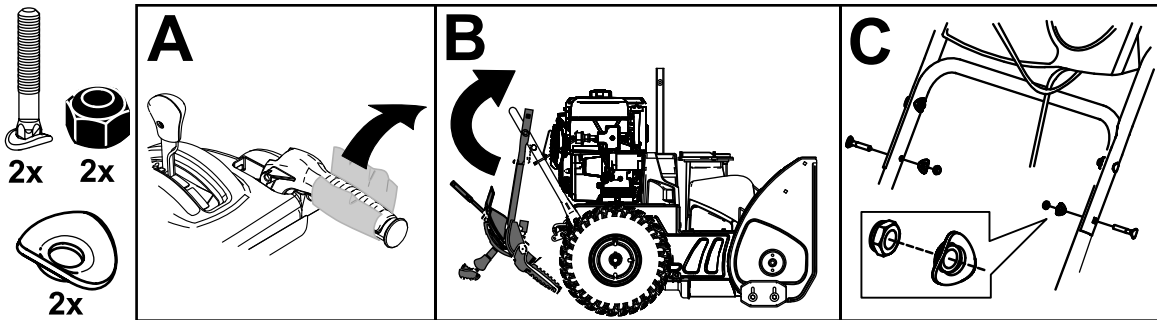
# Setup

# 1

## Installing the Upper Handle

No Parts Required

### Procedure



g293415

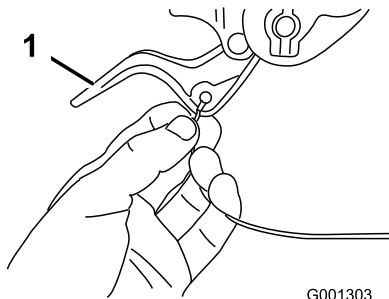
# 2

## Installing the Wheel-Clutch-Cable Ends

No Parts Required

### Procedure

1. Route either the left or right cable end over the lower handle and insert the cable end into the hole in the corresponding wheel-clutch lever (Figure 5).



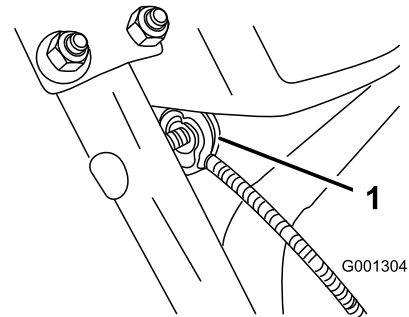
G001303

Figure 5

g001303

1. Wheel-clutch lever

2. Remove the nut and washer from the handle, attach the cable clamp on the cable to the handle, install the washer and the nut, and tighten the nut by hand (Figure 6).



G001304

Figure 6

g001304

1. Cable clamp (2)

**Important:** Ensure that the curved side of the cable clamp is against the handle and that the cable is routed below the clamp bolt. The cable must be in a straight line from the cable clamp to the point where it attaches to the wheel-clutch lever.

3. Pull the cable jacket down gently until the wheel-clutch lever is down and the slack is out of the cable, then tighten the cable-clamp nut securely (Figure 7).

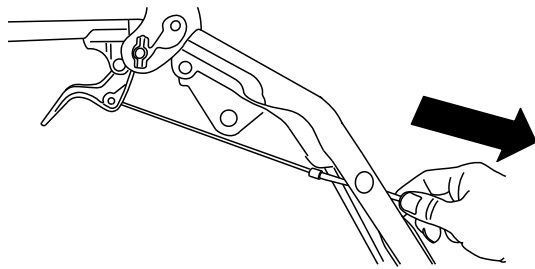
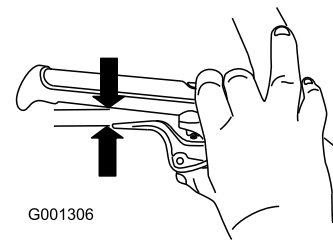


Figure 7

g259955



G001306

Figure 8

g001306

- Squeeze the lever fully, then check the gap between the bottom of the handle and the end of the wheel-clutch lever (Figure 8).

**Note:** The gap should be approximately the thickness of a pencil (1/4 inch or 6 mm). If it is greater, loosen the cable-clamp nut, slide the cable jacket up slightly, tighten the cable-clamp nut, and check the gap again.

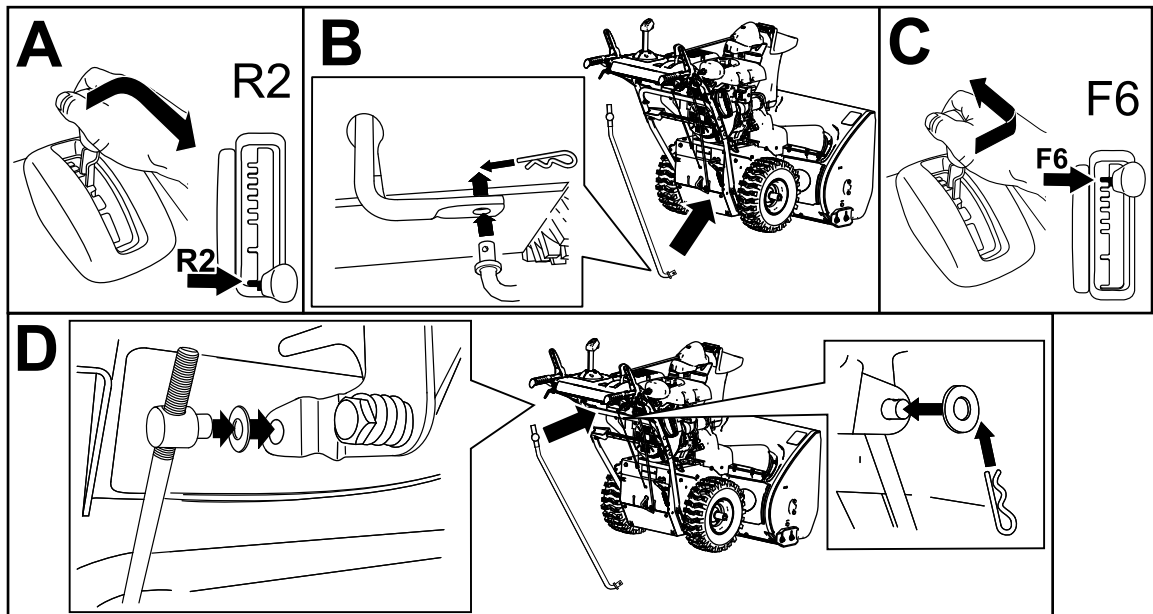
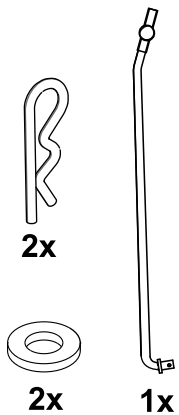
- Repeat steps 2 through 5 for the other cable.

# 3

## Installing the Traction-Control Linkage

No Parts Required

### Procedure



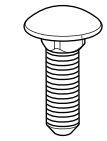
g263628

# 4

## Installing the Chute-Control Rod

No Parts Required

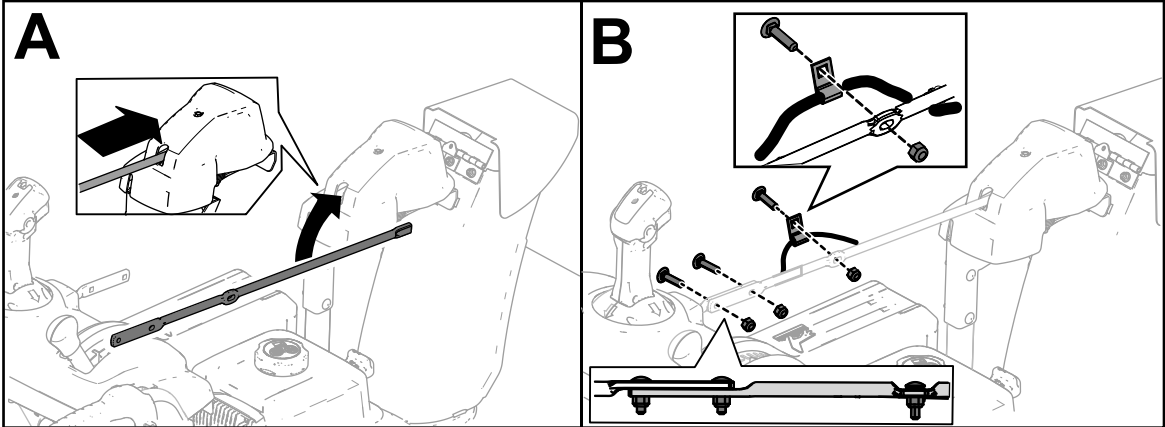
### Procedure



3x



1x



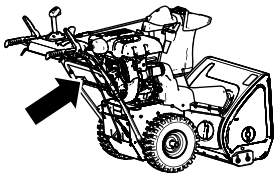
g252615

# 5

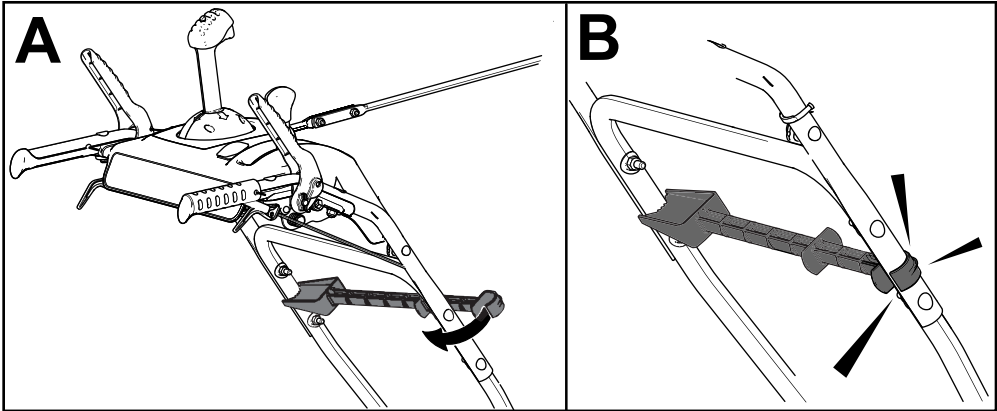
## Installing the Snow-Cleanout Tool

No Parts Required

### Procedure



1x



g258663

# 6

## Checking the Engine-Oil Level

No Parts Required

### Procedure

**Note:** Your machine comes with oil in the engine crankcase. Before starting the engine, check the oil level and add oil if necessary.

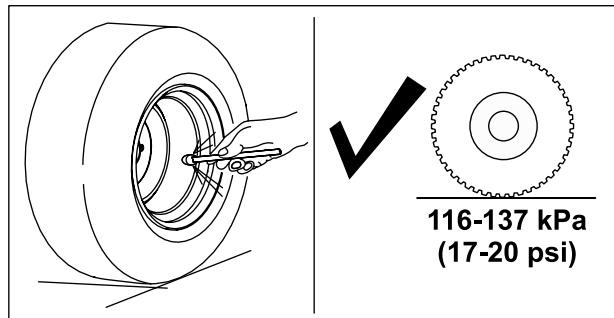
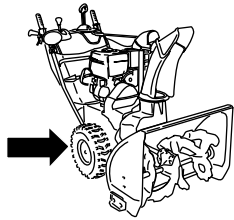
Refer to [Checking the Engine-Oil Level \(page 20\)](#).

# 7

## Checking the Tire Pressure

No Parts Required

### Procedure



g252396

# 8

## Checking the Skids and Scraper

No Parts Required

### Procedure

Refer to [Checking and Adjusting the Skids and Scraper \(page 20\)](#).



# 9

## Checking the Operation of the Traction Drive

No Parts Required

### Procedure

#### ⚠ CAUTION

If the traction drive is not properly adjusted, the machine may move in the direction opposite of what you intended, causing injury and/or property damage.

Carefully check the traction drive and adjust it properly, if necessary.

1. Start the engine; refer to [Starting the Engine \(page 12\)](#).
2. Move the speed selector to Position R1; refer to [Operating the Speed Selector \(page 15\)](#).
3. Squeeze the left (traction) lever to the handgrip ([Figure 13](#)).

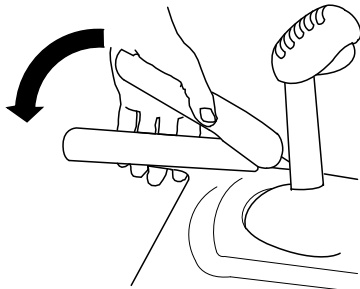


Figure 13

g322974

5. Move the speed selector to Position 1; refer to [Operating the Speed Selector \(page 15\)](#).
6. Squeeze the left (traction) lever to the handgrip ([Figure 13](#)).

The machine should move forward. If the machine does not move or moves rearward, complete the following:

- A. Release the traction lever and shut off the engine.
  - B. Disconnect the trunnion from the speed-selector lever.
  - C. Turn the trunnion upward (counterclockwise) on the speed-control rod.
  - D. Connect the trunnion to the speed-selector lever.
7. If you made any adjustments, repeat this procedure until no adjustments are required.

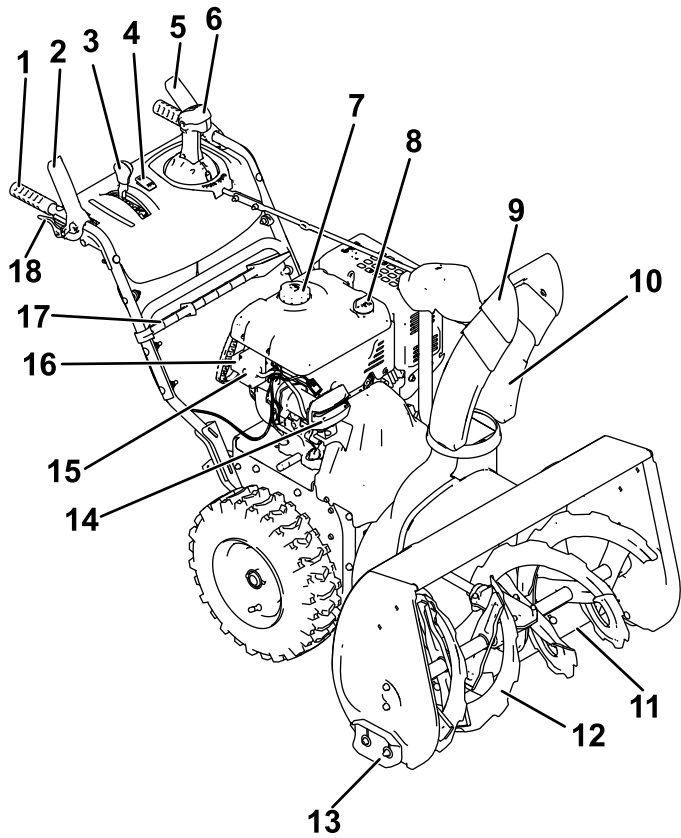
**Important:** If the machine moves when the traction lever is in the released position, check the traction cable; refer to [Checking and Adjusting the Traction Cable \(page 21\)](#) or take the machine to an Authorized Service Dealer for service.

---

The machine should move rearward. If the machine does not move or moves forward, complete the following:

- A. Release the traction lever and shut off the engine.
  - B. Disconnect the trunnion from the speed-selector lever.
  - C. Turn the trunnion downward (clockwise) on the speed-control rod.
  - D. Connect the trunnion to the speed-selector lever.
4. Release the traction lever.

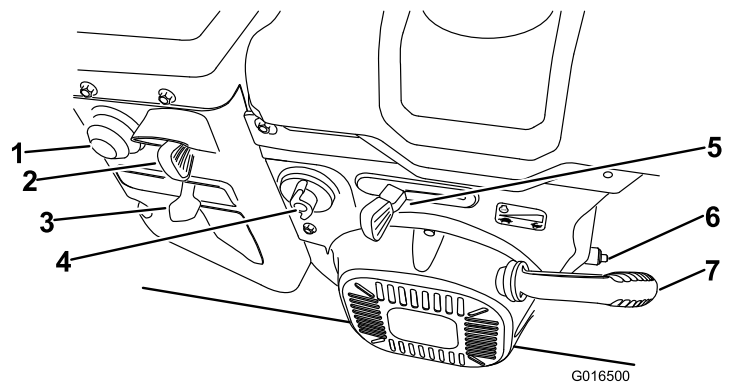
# Product Overview



**Figure 14**

g247809

- |   |                            |
|---|----------------------------|
| 1. Handgrip (2)                         | 10. Discharge chute        |
| 2. Auger/impeller lever                 | 11. Scraper                |
| 3. Speed-selector lever                 | 12. Auger                  |
| 4. Handwarmer switch                    | 13. Skid (2)               |
| 5. Traction lever                       | 14. Headlight              |
| 6. Quick Stick® discharge-chute control | 15. Electric-start button  |
| 7. Fuel-tank cap                        | 16. Electric-start plug-in |
| 8. Oil-fill tube/dipstick               | 17. Snow-cleanout tool     |
| 9. Chute deflector                      | 18. Wheel-clutch lever (2) |

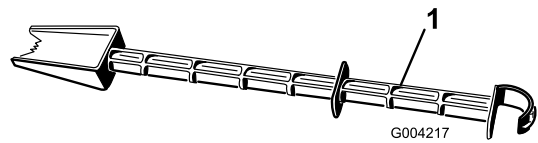


**Figure 15**

G016500

g016500

- |                       |                        |
|-----------------------|------------------------|
| 1. Primer             | 5. Throttle            |
| 2. Key                | 6. Oil-drain plug      |
| 3. Choke              | 7. Recoil-start handle |
| 4. Fuel-shutoff valve |                        |



G004217

g004217

**Figure 16**

1. Snow-cleanout tool (attached to the handle)

## Specifications

Model	Weight	Length	Width	Height
38855	147.4 kg (325 lb)	160 cm (63 inches)	74 cm (29 inches)	114 cm (45 inches)

## Attachments/Accessories

A selection of Toro approved attachments and accessories is available for use with the machine to enhance and expand its capabilities. Contact your Authorized Service Dealer or authorized Toro distributor or go to [www.Toro.com](http://www.Toro.com) for a list of all approved attachments and accessories.

To ensure optimum performance and continued safety certification of the machine, use only genuine Toro replacement parts and accessories. Replacement parts and accessories made by other manufacturers could be dangerous, and such use could void the product warranty.

# Operation

**Note:** Determine the left and right sides of the machine from the normal operating position.

## Before Operation

## Before Operation Safety

### General Safety

- **For electric-start models only:** Use extension cords and receptacles as specified in the manual. Inspect the electrical cord before plugging it into a power source. If the cord is damaged, replace it. Unplug the power cord whenever you are not starting the machine.
- Wear appropriate clothing, including eye protection; long pants; substantial, slip-resistant footwear; and hearing protection. Tie back long hair, secure loose clothing, and do not wear loose jewelry.
- Thoroughly inspect the area where you will use the machine, and remove all doormats, sleds, boards, wires, and other foreign objects.
- If a shield, safety device, or decal is damaged, illegible, or missing, repair or replace it before beginning operation. Also, tighten any loose fasteners.
- Adjust the collector housing height to clear a gravel or crushed-rock surface.

### Fuel Safety

Fuel is extremely flammable and explosive. A fire or explosion from fuel can burn you and others.

- To prevent a static charge from igniting the fuel, place the container and/or machine on the ground before filling, not in a vehicle or on an object.
- Fill the fuel tank outdoors when the engine is cold. Replace the fuel cap securely and wipe up spills.
- Do not handle fuel when smoking or around an open flame or sparks.
- Store fuel in an approved fuel container, out of the reach of children.
- When fuel is in the tank, tip the machine only as directed in the instructions.
- If you spill fuel on your clothing, change your clothing immediately.

## Filling the Fuel Tank

Type	Unleaded gasoline
Minimum octane rating	87 (US) or 91 (research octane; outside the US)
Ethanol	No more than 10% by volume
Methanol	None
MTBE (methyl tertiary butyl ether)	Less than 15% by volume
Oil	Do not add to the fuel

Use only clean, fresh (no more than 30 days old), fuel from a reputable source.

Fill the fuel tank as shown in [Figure 17](#); do not fill above the bottom of the fuel tank neck.

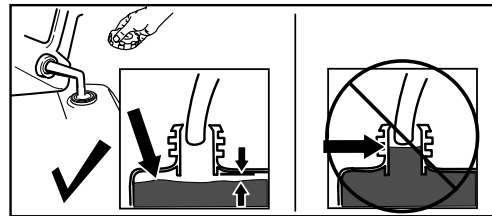


Figure 17

g216203

**Important:** For best results, purchase only the quantity of fuel that you expect to use in 30 days. Otherwise, add fuel stabilizer/conditioner to fresh fuel as directed by the fuel-stabilizer/conditioner manufacturer.

# ***During Operation***

## **During Operation Safety**

### **General Safety**

- **Shut off the engine before unclogging the machine and always use a stick or the snow-cleanout tool (if provided).**
- Stay behind the handles and away from the discharge opening while operating the machine. **Keep your face, hands, feet, and any other part of your body or clothing away from moving or rotating parts.**
- Never direct the discharge toward people or areas where property damage can occur.
- Use your full attention while operating the machine. Do not engage in any activity that causes distractions; otherwise, injury or property damage may occur.
- Exercise caution to avoid slipping or falling, especially when operating the machine in reverse.
- Always be sure of your footing, and keep a firm hold on the handles. Walk; never run.
- Exercise extreme caution when operating the machine on a slope.
- Do not operate the machine without good visibility or light.
- Look behind and use care when backing up the machine.
- When not actively clearing snow, disengage power to the auger.
- Exercise extreme caution when operating the machine on or crossing gravel drives, walks, or roads. Stay alert for hidden hazards or traffic.
- Never attempt to make any adjustments while the engine is running, except as directed in the instructions.
- After striking a foreign object, shut off the engine, remove the key, and inspect the machine for damage. Repair any damage before starting the machine.
- If the machine starts to vibrate abnormally, shut off the engine and check immediately for the cause.
- Do not run the engine indoors; exhaust fumes are dangerous.
- Do not overload the machine capacity by attempting to clear snow at too fast a rate.
- Disengage all clutches and shift into neutral before starting the engine.
- Shut off the engine whenever you leave the operating position, before clearing or unclogging the collector, impeller, or discharge chute, and when making any repairs, adjustments, or inspections.
- Never operate the machine at high transport speeds on slippery surfaces.

## **Starting the Engine**

### **Electric Start**

**Note:** To use the electric starter (electric-start models only), connect a power cord to the plug-in first and then to a power outlet. Use only a UL-listed, 16-gauge extension cord recommended for outdoor use that is not longer than 15 m (50 ft).

#### **▲ WARNING**

The electrical cord can become damaged, causing a shock or fire.

Thoroughly inspect the electrical cord before using the machine. If the cord is damaged, do not use it. Replace or repair the damaged cord immediately. Contact an Authorized Service Dealer for assistance.

#### **▲ CAUTION**

If you leave the machine plugged into a power outlet, someone can inadvertently start the machine and injure people or damage property.

Unplug the power cord whenever you are not starting the machine.

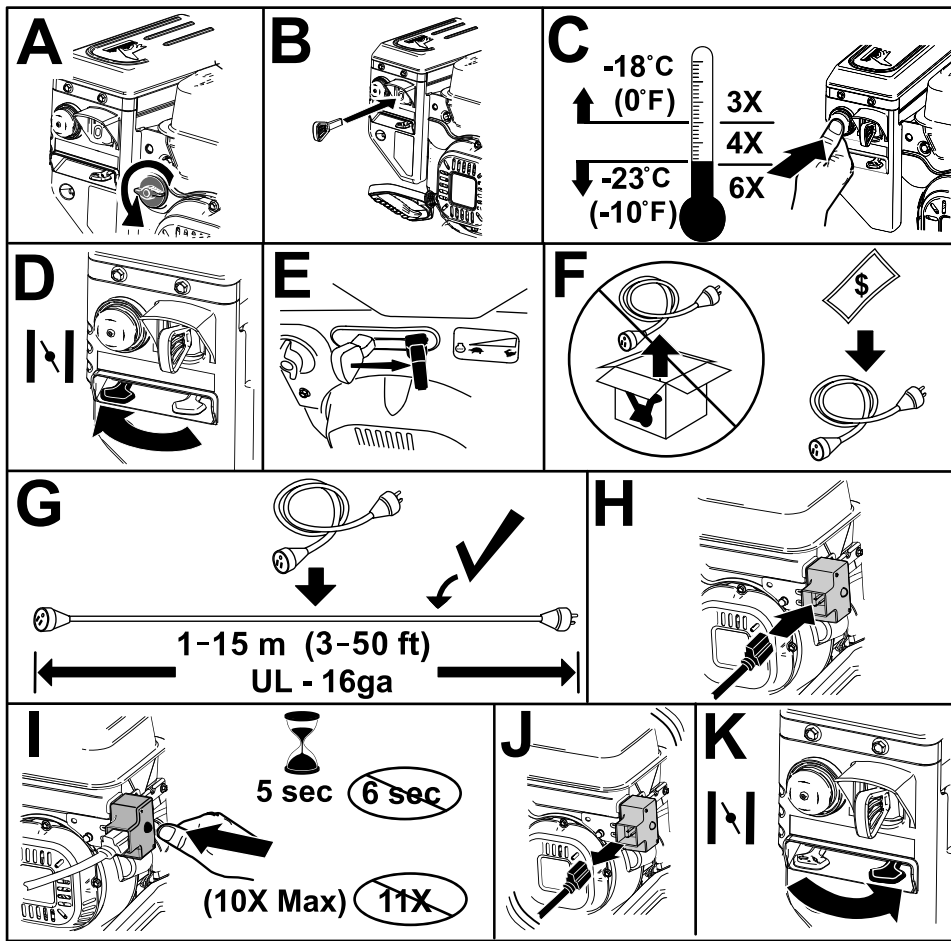


Figure 18

g322740

## Recoil Start

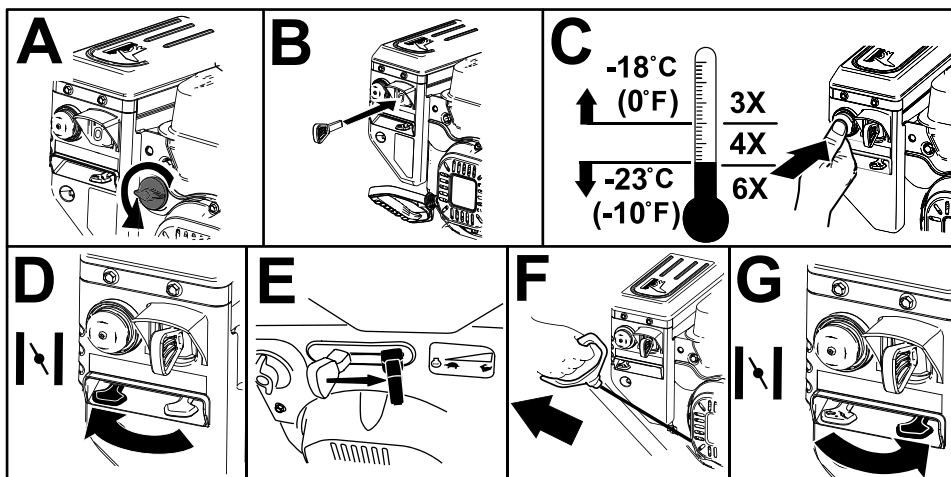


Figure 19

g257505

# Shutting Off the Engine

**Important:** Wait for all moving parts to stop before leaving the operating position.

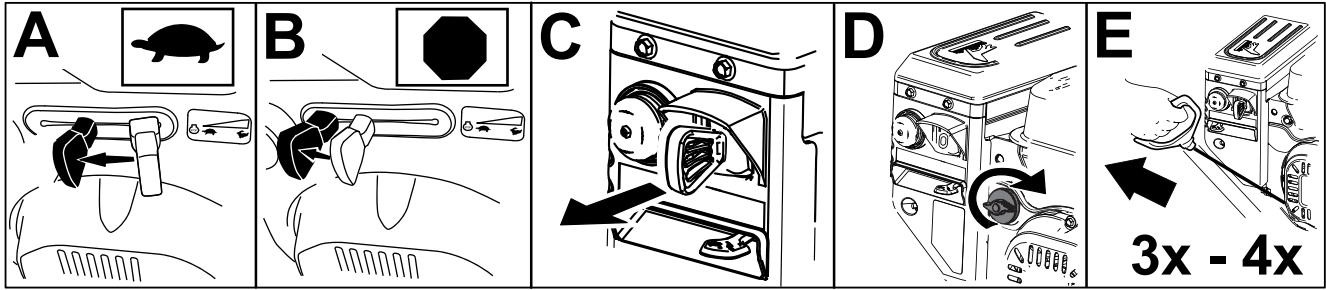


Figure 20

g252411

## Operating the Handwarmers

Operate the handwarmers as follows:

- Press the switch to the ON position to turn on the handwarmers.
- Press the switch to the OFF position to turn off the handwarmers.

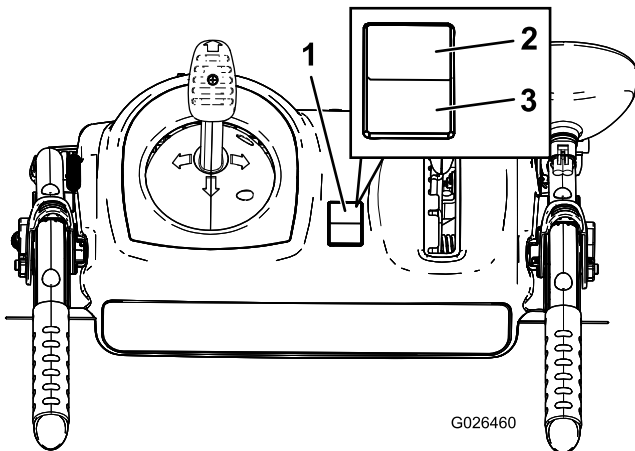


Figure 21

g026460

1. On/Off switch
2. ON position
3. OFF position

## Operating the Traction Drive

### ⚠ CAUTION

If the traction drive is not properly adjusted, the machine may move in the direction opposite of what you intended, causing injury and/or property damage.

Carefully check the traction drive and adjust it properly, if necessary; refer to [Checking and Adjusting the Traction Cable \(page 21\)](#) for more information.

**Important:** If the machine moves when the traction lever is in the released position, check the traction cable; refer to [Checking and Adjusting the Traction Cable \(page 21\)](#) or take the machine to an Authorized Service Dealer for service.

1. To engage the traction drive, squeeze the left (traction) lever to the handgrip ([Figure 22](#)).

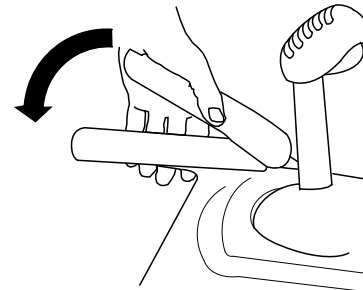


Figure 22

g322974

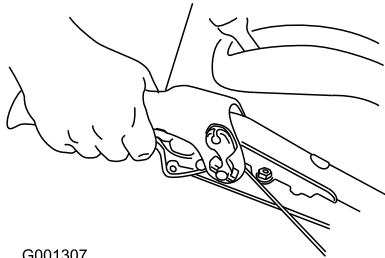
2. To stop the traction drive, release the traction lever.

## Using the Wheel-Clutch Levers

The wheel-clutch levers allow you to momentarily disengage the drive to 1 or both wheels with the traction-drive lever still engaged. This enables you to turn and maneuver the machine easily.

**Note:** Holding down the traction lever against the handle engages the traction drive to both wheels.

To turn the machine to the right, lift up the right wheel-clutch lever and squeeze it toward the handle (Figure 23).



G001307

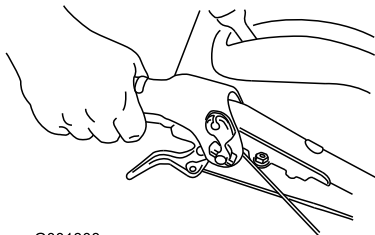
Figure 23

g001307

**Note:** This disengages the drive to the right wheel while the left wheel continues driving, and the machine turns to the right.

**Note:** Similarly, squeezing the left wheel-clutch lever turns the machine to the left.

When you complete the turn, release the wheel-clutch lever, and the drive re-engages both wheels (Figure 24).



G001308

Figure 24

g001308

Momentarily squeezing and releasing the left or right wheel-clutch lever also allows for steering adjustments to keep the machine going in a straight line, especially in deep snow.

Squeezing both wheel-clutch levers simultaneously disengages the drive to both wheels. This enables you to manually move the machine backward without stopping to shift it into a reverse gear. It also allows you to maneuver and transport the machine more easily when the engine is not running.

## Operating the Speed Selector

The speed selector has 6 forward and 2 reverse gears. To change speeds, release the traction lever and shift the speed-selector lever to the desired position (Figure 25). The lever locks in a notch at each speed selection.

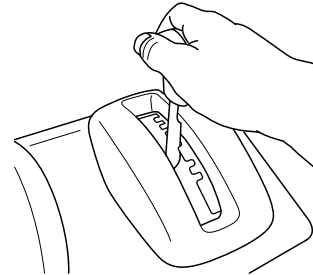


Figure 25

g322971

## Operating the Auger/Impeller Drive

1. To engage the auger/impeller drive, squeeze the right (auger/impeller) lever to the handgrip (Figure 26).

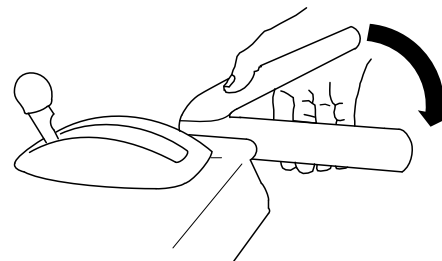


Figure 26

g322975

2. To stop the auger and impeller, release the right lever.

**Important:** When you engage both the auger/impeller lever and the traction lever, the traction lever locks the auger/impeller lever down, freeing your right hand. To release both levers, simply release the left (traction) lever.

3. If the auger and impeller continue to rotate when you release the auger/impeller lever, do not operate the machine. Check the auger/impeller cable; refer to [Checking and Adjusting the Auger/Impeller Cable \(page 22\)](#) and adjust it if necessary. Otherwise, take the machine to an Authorized Service Dealer for service.

## **⚠ WARNING**

If the auger and impeller continue to rotate when you release the auger/impeller lever, you could seriously injure yourself or others.

Do not operate the machine. Take it to an Authorized Service Dealer for service.

## Operating the Quick Stick®

Hold the blue trigger cap down to use the Quick Stick to move the discharge chute and the chute deflector. Release the trigger cap to lock the discharge chute and chute deflector into position (Figure 27).

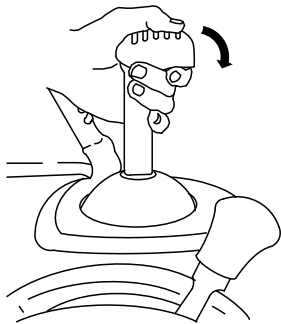


Figure 27

g001014

- If the chute does not move, refer to [Checking and Adjusting the Auger/Impeller Cable](#) (page 22).
- If the chute does not turn as far to the left as it does to the right, ensure that the cable is routed to the inside of the handles. Refer to [1 Installing the Upper Handle](#) (page 5).
- If the chute does not lock into place when you release the trigger cap, refer to [Checking and Adjusting the Auger/Impeller Cable](#) (page 22).

## Moving the Chute Deflector

Hold the blue trigger cap down and move the Quick Stick forward to lower the chute deflector; move it rearward to raise the chute deflector (Figure 29).

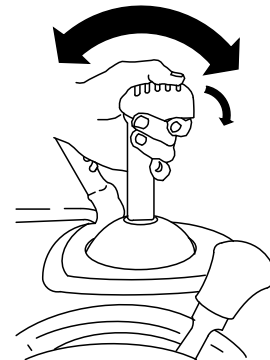


Figure 29

g001016

## Moving the Discharge Chute

Hold the blue trigger cap down and move the Quick Stick to the left to move the discharge chute to the left; move the Quick Stick to the right to move the discharge chute to the right (Figure 28).

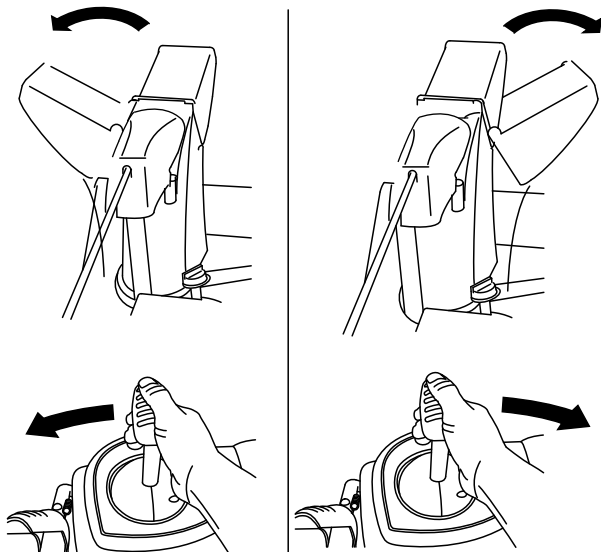


Figure 28

g322957



# Clearing a Clogged Discharge Chute

## ⚠ WARNING

If the auger/impeller is running but there is no snow coming out of the discharge chute, the discharge chute may be clogged.

Never use your hands to clear a clogged discharge chute. This could result in personal injury.

- To unclog the discharge chute, stay in the operating position and release the left (traction) lever. While running the auger/impeller, push down on the handles to raise the front of the machine a few centimeters (inches) off the pavement. Then lift the handles quickly to bump the front of the machine on the pavement. Repeat if necessary until a stream of snow comes out the discharge chute.
- If you cannot unclog the discharge chute by bumping the front of the machine, **shut off the engine, wait for all moving parts to stop, and use the snow-cleanout tool (Figure 16).**

**Important:** Unclogging the discharge chute by bumping the front of the machine on the pavement may cause the skids to move. Adjust the skids and tighten the skid bolts securely; refer to [Checking and Adjusting the Skids and Scraper \(page 20\)](#).

# Operating Tips

## ⚠ DANGER

When the machine is in operation, the impeller and auger rotate and can injure or amputate hands or feet.

- Before adjusting, cleaning, inspecting, troubleshooting, or repairing the machine, shut off the engine and wait for all moving parts to stop. Disconnect the wire from the spark plug and keep it away from the plug to prevent someone from accidentally starting the engine.
- Remove an obstruction from the discharge chute; refer to [Clearing a Clogged Discharge Chute \(page 17\)](#). Use the snow-cleanout tool ([Figure 17](#)), not your hands, to remove an obstruction from the discharge chute.
- Stay behind the handles and away from the discharge opening while operating the machine.
- Keep your face, hands, feet, and any other part of your body or clothing away from concealed, moving, or rotating parts.

## ⚠ WARNING

The impeller can throw stones, toys, and other foreign objects and cause serious personal injury to you or bystanders.

- Keep the area to be cleared free of all objects that the auger could pick up and throw.
- Keep all children and pets away from the area of operation.
- Always set the throttle to the FAST position when throwing snow.
- If the engine slows down under a load or the wheels slip, shift the machine into a lower gear.
- If the front of the machine rides up, shift the machine into a lower gear. If the front continues to ride up, lift up on the handles.

# After Operation

## After Operation Safety

### General Safety

- Never store the machine with fuel in the fuel tank inside a building where ignition sources are present, such as hot water heaters, space heaters, or clothes dryers. Allow the engine to cool before storing the machine in any enclosure.
- When storing the machine for more than 30 days, refer to [Storing the Machine \(page 27\)](#) for important information.
- Run the machine a few minutes after throwing snow to prevent freeze-up of the collector and impeller.

## Preventing Freeze-up after Use

- In snowy and cold conditions, some controls and moving parts may freeze. **Do not use excessive force when trying to operate frozen controls.** If you have difficulty operating any control or part, start the engine and let it run for a few minutes.
- After using the machine, let the engine run for a few minutes to prevent moving parts from freezing. Engage the auger/impeller to clear any remaining snow from inside the housing. Rotate the Quick Stick to prevent it from freezing. Shut off the engine, wait for all moving parts to stop, and remove all ice and snow from the machine.
- With the engine off, pull the recoil-start handle several times and push the electric-start button once to prevent the recoil starter and electric starter from freezing up.

# Maintenance

## Recommended Maintenance Schedule(s)

Maintenance Service Interval	Maintenance Procedure
After the first 2 hours	<ul style="list-style-type: none"><li>• Inspect the traction cable and adjust it if necessary.</li><li>• Inspect the auger/impeller cable and adjust it if necessary.</li></ul>
After the first 5 hours	<ul style="list-style-type: none"><li>• Change the engine oil.</li></ul>
Before each use or daily	<ul style="list-style-type: none"><li>• Check the engine-oil level and add oil if necessary.</li></ul>
Every 50 hours	<ul style="list-style-type: none"><li>• Change the engine oil. Change the engine oil every 25 operating hours when operating the engine under a heavy load.</li></ul>
Every 100 hours	<ul style="list-style-type: none"><li>• Replace the spark plug.</li></ul>
Yearly	<ul style="list-style-type: none"><li>• Check the skids and the scraper and adjust them if necessary.</li><li>• Inspect the traction cable and adjust or replace it if necessary.</li><li>• Inspect the auger/impeller cable and adjust or replace it if necessary.</li><li>• Check the auger-gearbox oil and add oil if necessary.</li><li>• Lubricate the hex shaft.</li></ul>
Yearly or before storage	<ul style="list-style-type: none"><li>• Check the air pressure in the tires and inflate them to 116 to 137 kPa (17 to 20 psi).</li><li>• Drain the fuel and run the engine to dry out the fuel tank and the carburetor at the end of the season.</li><li>• Have an Authorized Service Dealer inspect and replace the traction drive belt and/or the auger/impeller drive belt, if necessary.</li></ul>

## Maintenance Safety

Read the following safety precautions before performing any maintenance on the machine:

- Shut off the engine, remove the key, and wait for all movement to stop before you leave the operator's position. Allow the machine to cool before adjusting, servicing, cleaning, or storing it.
- Always wear eye protection while performing an adjustment or repair to protect your eyes from foreign objects that the machine may throw.
- Check all fasteners at frequent intervals for proper tightness to ensure that the machine is in safe working condition.
- Do not change the governor settings on the engine.

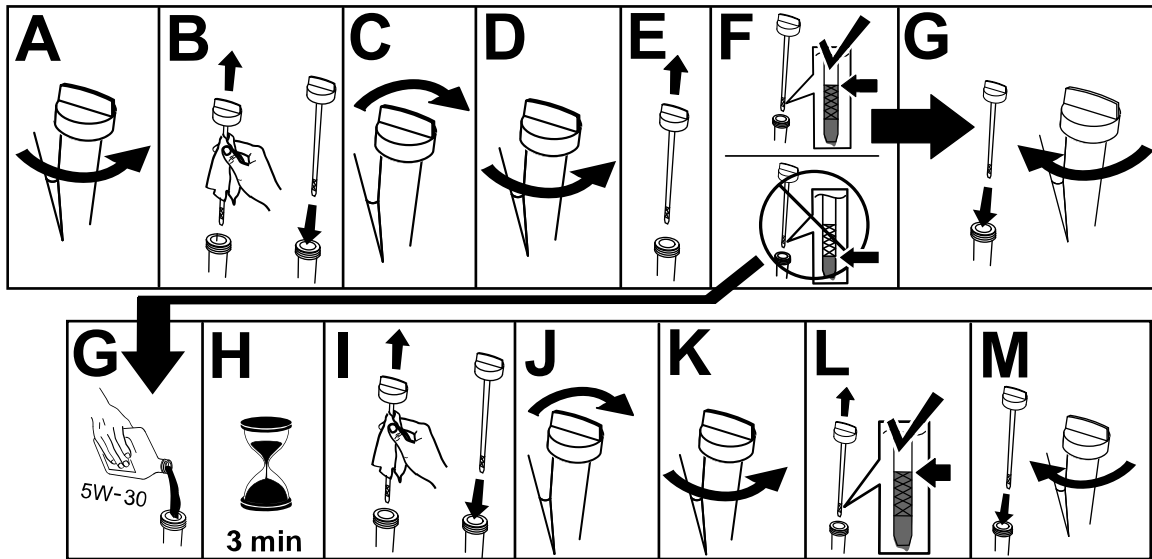
Purchase only genuine Toro replacement parts and accessories.

## Preparing for Maintenance

1. Move the machine to a level surface.
2. Shut off the engine and wait for all moving parts to stop.
3. Disconnect the spark-plug wire. Refer to [Replacing the Spark Plug \(page 25\)](#).

# Checking the Engine-Oil Level

**Service Interval:** Before each use or daily—Check the engine-oil level and add oil if necessary.



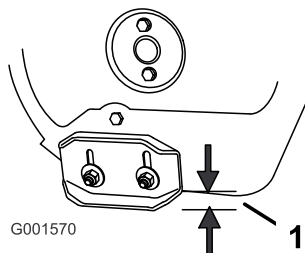
g257528

# Checking and Adjusting the Skids and Scraper

**Service Interval:** Yearly—Check the skids and the scraper and adjust them if necessary.

Check the skids and the scraper to ensure that the auger does not contact the paved or gravel surface. Adjust the skids and the scraper as needed to compensate for wear.

1. Check the tire pressure; refer to [7 Checking the Tire Pressure \(page 8\)](#).
2. Loosen the nuts that secure both skids to the auger sides until the skids slide up and down easily.



**Figure 31**

g001570

1. 3 mm (1/8 inch)

**Important:** The auger blades must be supported above the ground by the skids.

3. Ensure that the scraper is 3 mm (1/8 inch) above and parallel to a level surface.

**Note:** If the pavement is cracked, rough, or uneven, adjust the skids to raise the scraper. For gravel surfaces, adjust the skids further down to prevent the machine from picking up rocks.

4. Move the skids down until they are even with the ground.
5. Firmly tighten the nuts that secure both skids to the auger sides.

**Note:** To quickly adjust the skids if they loosen, support the scraper 3 mm (1/8 inch) off the pavement, then adjust the skids down to the pavement.

**Note:** If the skids become excessively worn, you can turn them over and set the unused side toward the pavement.

# Checking and Adjusting the Traction Cable

**Service Interval:** After the first 2 hours—Inspect the traction cable and adjust it if necessary.

Yearly—Inspect the traction cable and adjust or replace it if necessary.

If the machine does not drive in the forward or reverse speeds or it drives when you release the traction lever, adjust the traction cable.

With the traction lever disengaged, ensure that the bottom of the traction-cable bracket is touching the frame of the machine (Figure 30).

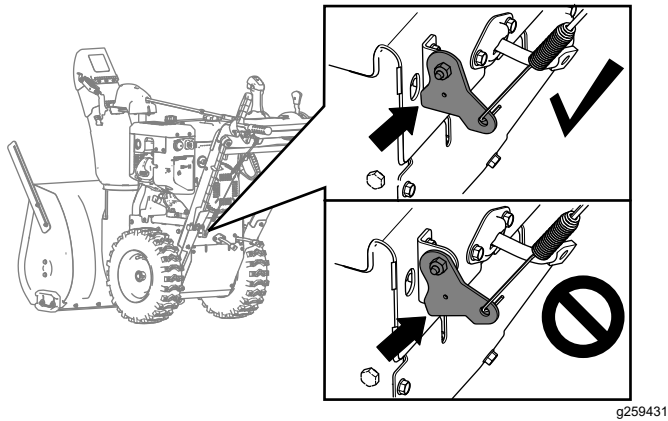


Figure 32

If the bottom of the traction-cable bracket is not touching the frame of the machine, the left (traction) cable is not properly adjusted.

To adjust the traction cable, do the following:

1. Loosen the jam nut.
2. Loosen or tighten the turnbuckle to until the cable is taught and the bottom of the bracket touches the frame of the machine.
3. Tighten the jam nut (Figure 33).

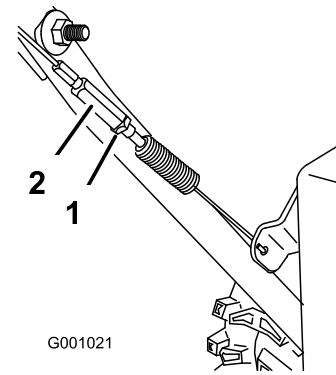


Figure 33

1. Jam nut
2. Turnbuckle

g001021

# Checking and Adjusting the Auger/Impeller Cable

**Service Interval:** After the first 2 hours—Inspect the auger/impeller cable and adjust it if necessary.

Yearly—Inspect the auger/impeller cable and adjust or replace it if necessary.

1. Remove the 2 screws that are holding the belt cover in place (Figure 34).
2. Remove the belt cover (Figure 34).

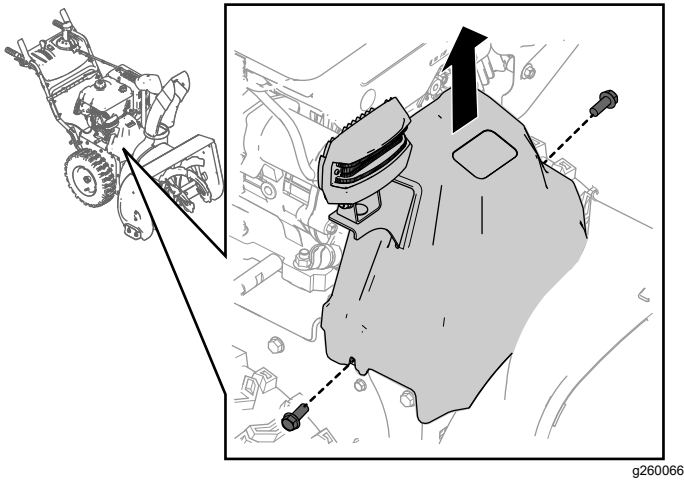


Figure 34

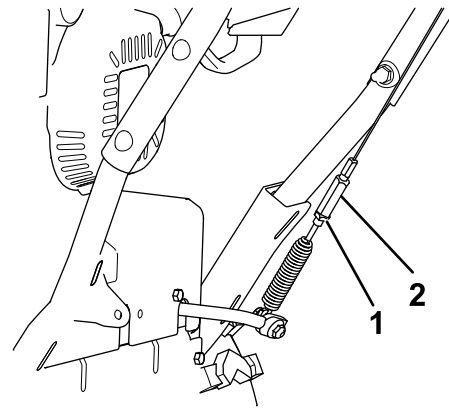


Figure 36

g322960

1. Jam nut
2. Turnbuckle

6. Loosen or tighten the turnbuckle that adjusts the tension on the cable (Figure 36).
7. Adjust the turnbuckle until you obtain the proper gap.
8. Tighten the jam nut.
9. Insert the 2 screws that you previously removed on the belt cover.
10. If the auger/impeller cable is properly adjusted but a problem remains, contact an Authorized Service Dealer.

3. With the auger/impeller lever disengaged, ensure that the gap between the auger clutch arm and the frame of the machine is 1.5 mm (1/16 inch) as shown in Figure 35.

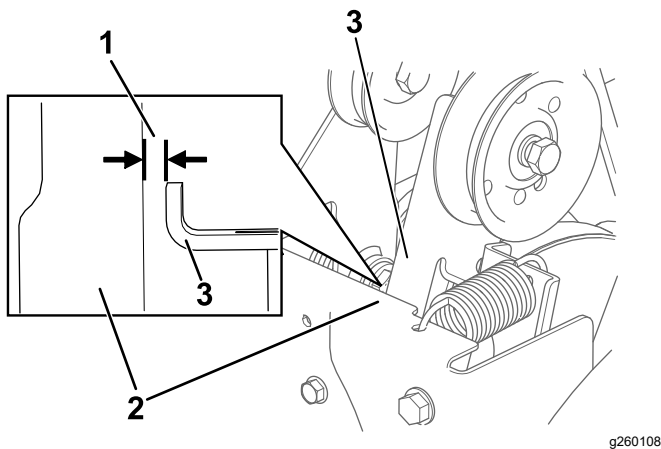


Figure 35

g260108

1. 1.5 mm (1/16 inch)
2. Frame
3. Auger clutch arm

4. If the auger/impeller cable is not properly adjusted, do the following steps:
5. Loosen the jam nut (Figure 36).

# Checking the Auger-Gearbox-Oil Level

**Service Interval:** Yearly—Check the auger-gearbox oil and add oil if necessary.

1. Move the machine to a level surface.
2. Clean the area around the pipe plug and remove the pipe plug from the gearbox (Figure 37).

**Note:** If needed, use pliers to assist in removing the pipe plug.

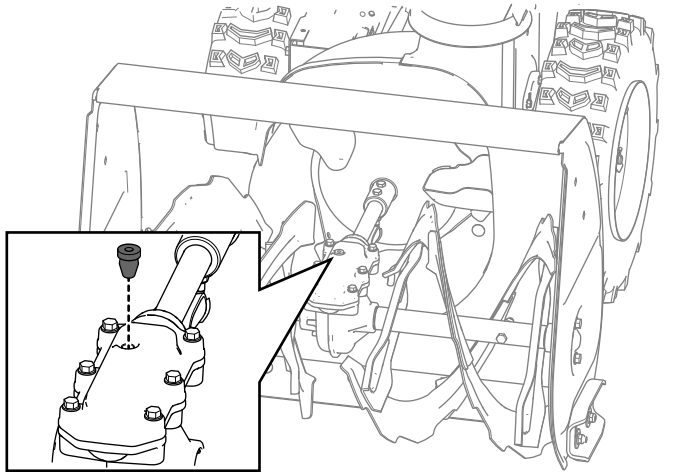


Figure 37

g257725

3. Check the oil level using a suitable measuring device, such as a clean cable tie. The oil should be approximately 3.8 cm (1.5 inches) below the filler opening (Figure 38).

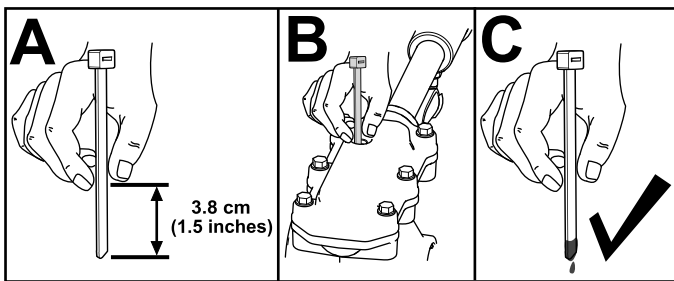


Figure 38

g257737

4. If the oil level is low, add GL-5 or GL-6, SAE 85-95 EP gear oil lubricant to the gearbox, then check the oil level again.

**Note:** Do not use synthetic oil.

5. Install the pipe plug in the gearbox.

# Changing the Engine Oil

**Service Interval:** After the first 5 hours—Change the engine oil.

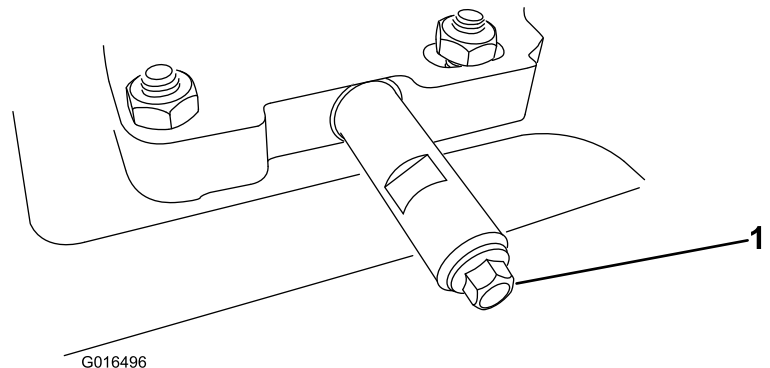
Every 50 hours—Change the engine oil.  
Change the engine oil every 25 operating hours when operating the engine under a heavy load.

If possible, run the engine for a few minutes before changing the oil because warm oil flows better and carries more contaminants.

<b>Engine oil capacity</b>	0.95 L (32 fl oz)*
<b>Oil viscosity</b>	Refer to Figure 40.
<b>API service classification</b>	SJ or higher

\*There is residual oil in the crankcase after you drain the oil. Do not pour the entire capacity of oil into the crankcase. Fill the crankcase with oil as directed in the following steps.

1. Move the machine to a level surface.
2. Clean the area around the oil-drain cap (Figure 39).



G016496

g016496

Figure 39

1. Oil-drain cap
3. Slide an oil-drain pan under the drain extension and remove the oil-drain cap.

**Note:** When removing the cap, ensure that the tube does not loosen.

4. Drain the oil.

**Note:** Dispose of the used oil properly at a local recycling center.

5. Install the oil-drain cap and tighten it securely.
6. Clean around the oil fill/dipstick.
7. Unscrew the dipstick and remove it.
8. Carefully pour about 3/4 of the engine capacity of oil into the oil-fill tube.

Use Figure 40 to select the best oil viscosity for the outdoor temperature range expected:

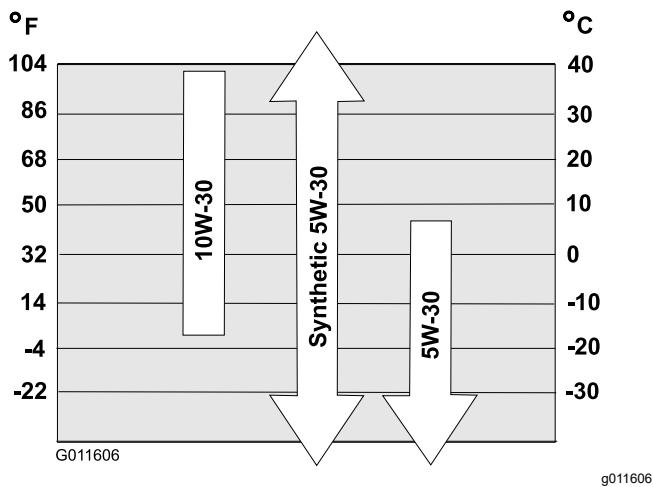


Figure 40

## Lubricating the Hex Shaft

**Service Interval:** Yearly—Lubricate the hex shaft.

Lightly lubricate the hex shaft yearly with automotive engine oil (Figure 41).

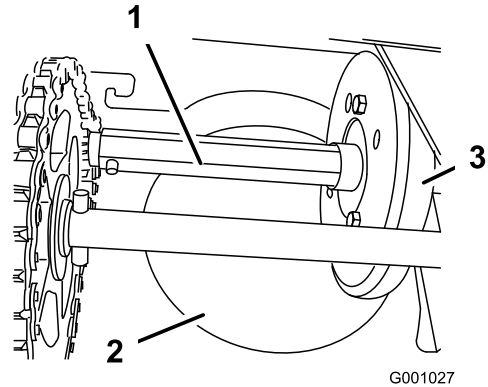


Figure 41

1. Hex shaft
2. Aluminum friction plate
3. Rubber wheel

9. Wait 3 minutes for the oil to settle in the engine.
10. Wipe the dipstick clean with a clean cloth.
11. Insert the dipstick into the oil-fill tube and screw it in, then remove the dipstick.
12. Read the oil level on the dipstick.
  - If the oil level on the dipstick is too low, carefully pour a small amount of oil into the oil-fill tube, wait 3 minutes, and repeat steps 10 through 12 until the oil level on the dipstick is correct.
  - If the oil level on the dipstick is too high, drain the excess oil until the oil level on the dipstick is correct.

**Important:** If the oil level in the engine is too low or too high and you run the engine, you may damage the engine.

13. Install the dipstick into the oil-fill tube securely.
14. Recycle the used oil properly.

**Important:** Do not get oil on the rubber wheel or the aluminum friction drive plate because the traction drive will slip (Figure 41).

1. Drain the fuel from the fuel tank.
2. Tip the machine forward onto its auger housing and block it so that it cannot fall.
3. Remove the back cover (Figure 42).

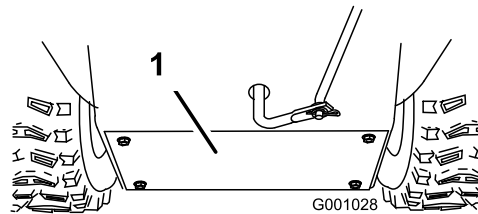


Figure 42

1. Back cover

4. Move the speed-selector lever to Position R2.
5. Dip your finger in automotive engine oil and **lightly** lubricate hex shaft.
6. Move the speed-selector lever to Position 6.
7. Lubricate the other end of the hex shaft.
8. Move the speed-selector lever forward and rearward a few times.
9. Install the back cover and return the machine to the operating position.



# Replacing the Spark Plug

**Service Interval:** Every 100 hours—Replace the spark plug.

## ⚠ WARNING

Replacing the spark plug while the engine is hot can result in burns.

Wait until the engine is cool to replace the spark plug.

Use a Toro spark plug or equivalent (Champion® RN9YC or NGK BPR6ES).

1. Remove the boot (Figure 43).

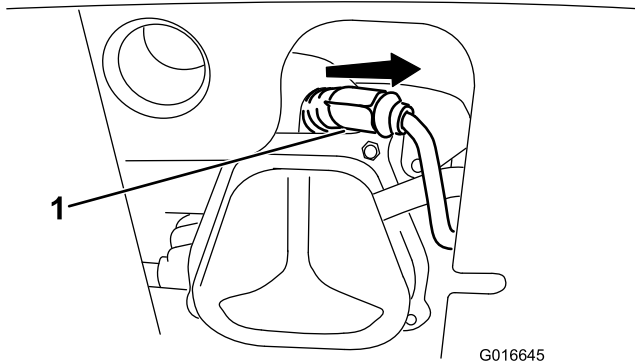


Figure 43

1. Spark-plug boot

2. Clean around the base of the spark plug.

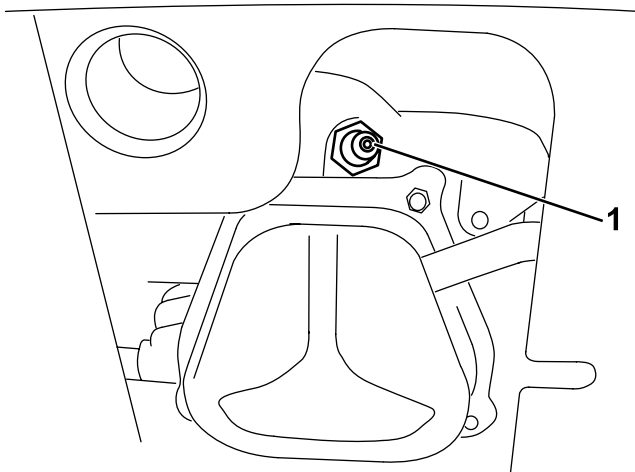


Figure 44

1. Spark-plug base

3. Remove and discard the old spark plug.

**Note:** You will need a ratchet wrench extension to remove the spark plug.

4. Set the gap between the electrodes on a new spark plug at 0.76 mm (0.030 inch) as shown in Figure 45.

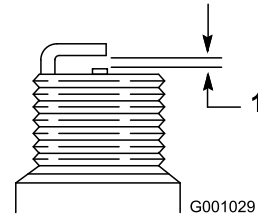


Figure 45

1. 0.76 mm (0.030 inch)

5. Install the new spark plug, tighten it firmly, and attach the ignition wire to the spark plug.

**Note:** Ensure that the ignition wire snaps completely into place on the spark plug.

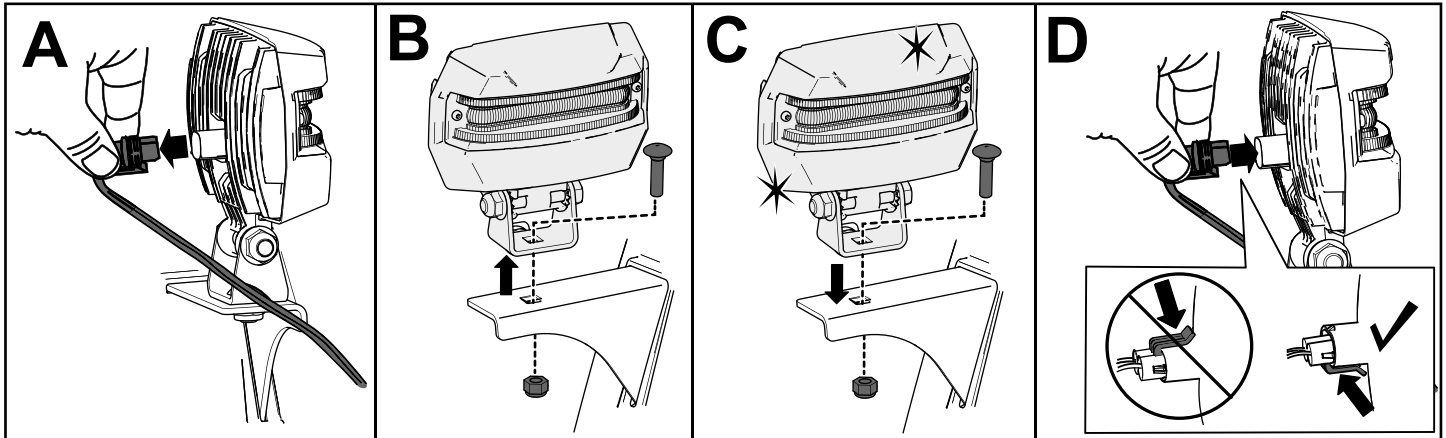
## Replacing the Drive Belts

If the auger/impeller drive belt or the traction-drive belt becomes worn, oil-soaked, or otherwise damaged, have an Authorized Service Dealer replace the belt.

# Replacing the Headlight

Replace the headlight assembly (Toro part number 138-0670) when needed.

1. Remove the headlight wire from the back of the headlight (A of [Figure 46](#)).
2. Remove the bolt and nut holding the headlight assembly onto the headlight bracket and then remove the old headlight assembly (B of [Figure 46](#)).
3. Secure the new headlight assembly onto the headlight bracket with the previously removed nut and bolt (C of [Figure 46](#)).
4. Insert the headlight wire straight into the back of the headlight until it is securely in place (D of [Figure 46](#)).



g326789

Figure 46

# Storage

## Storage Safety

- Shut off the engine, remove the key, and wait for all movement to stop before you leave the operator's position. Allow the machine to cool before adjusting, servicing, cleaning, or storing it.
- Fuel fumes are highly flammable, explosive, and dangerous if inhaled. If you store the product in an area with an open flame, the fuel fumes may ignite and cause an explosion.
- Do not store the machine in a house (living area), basement, or any other area where ignition sources may be present, such as hot water and space heaters, clothes dryers, furnaces, and other appliances.
- Do not tip the machine either forward or backward with fuel in the fuel tank; otherwise, fuel may leak out of the machine.
- Do not store the machine with its handle tipped down onto the ground; otherwise, oil may leak into the engine cylinder and onto the ground, and the engine may not start.

## Storing the Machine

1. On the last refueling of the year, add fuel stabilizer to fresh fuel as directed by the fuel stabilizer manufacturer.  
***Important: Do not store fuel longer than that suggested by the fuel stabilizer manufacturer.***
2. Run the engine for 10 minutes to distribute the conditioned fuel through the fuel system.
3. Run the machine until the engine runs out of fuel.
4. Prime the engine and start it again.
5. Allow the engine to run until it shuts off. When you can no longer start the engine, it is sufficiently dry.
6. Allow the engine to cool.
7. Remove the key.
8. Clean the machine thoroughly.
9. Touch up chipped surfaces with paint available from an Authorized Service Dealer. Sand affected areas before painting, and use a rust preventative to prevent the metal parts from rusting.
10. Tighten all loose screws, bolts, and locknuts. Repair or replace any damaged parts.

11. Cover the machine and store it in a clean, dry place out of the reach of children.

## Removing the Machine from Storage

Perform the annual maintenance procedures as given in the Recommended Maintenance Schedule; refer to [Maintenance \(page 19\)](#).

# Troubleshooting

Problem	Possible Cause	Corrective Action
The electric starter does not turn (electric-start models only).	<ol style="list-style-type: none"> <li>1. The power cord is disconnected at the outlet or the machine.</li> <li>2. The power cord is worn, corroded, or damaged.</li> <li>3. The power outlet is not energized.</li> </ol>	<ol style="list-style-type: none"> <li>1. Connect the power cord to the outlet and/or the machine.</li> <li>2. Replace the power cord.</li> <li>3. Have a qualified electrician energize the outlet.</li> </ol>
The engine does not start or starts hard.	<ol style="list-style-type: none"> <li>1. The key is not in the ignition.</li> <li>2. The choke is in the OFF position and the primer has not been pressed.</li> <li>3. The fuel-shutoff valve is not open.</li> <li>4. The throttle is not in the FAST position.</li> <li>5. The fuel tank is empty or the fuel system contains stale fuel.</li> <li>6. The spark-plug wire is loose or disconnected.</li> <li>7. The spark plug is pitted, fouled, or the gap is incorrect.</li> <li>8. The fuel-vent cap is restricted.</li> <li>9. The engine-oil level in the engine crankcase is too low or too high.</li> </ol>	<ol style="list-style-type: none"> <li>1. Insert the key into the ignition.</li> <li>2. Move the choke to the ON position and press the primer 3 times.</li> <li>3. Open the fuel-shutoff valve.</li> <li>4. Move the throttle to the FAST position.</li> <li>5. Drain and/or fill the fuel tank with fresh fuel (not more than 30 days old). If the problem persists, contact an Authorized Service Dealer.</li> <li>6. Connect the wire to the spark plug.</li> <li>7. Check the spark plug and adjust the gap if necessary. Replace the spark plug if it is pitted, fouled, or cracked.</li> <li>8. Remove the vent restriction or replace the fuel cap.</li> <li>9. Add or drain oil to adjust the oil level in the engine crankcase to the Full mark on the dipstick.</li> </ol>
The engine runs rough.	<ol style="list-style-type: none"> <li>1. The choke is in the ON position.</li> <li>2. The fuel-shutoff valve is not completely open.</li> <li>3. The fuel tank is nearly empty or contains stale fuel.</li> <li>4. The spark-plug wire is loose.</li> <li>5. The spark plug is pitted, fouled, or the gap is incorrect.</li> <li>6. The engine-oil level in the engine crankcase is too low or too high.</li> </ol>	<ol style="list-style-type: none"> <li>1. Move the choke to the OFF position.</li> <li>2. Open the fuel-shutoff valve.</li> <li>3. Drain and fill the fuel tank with fresh fuel (not more than 30 days old). If the problem persists, contact an Authorized Service Dealer.</li> <li>4. Connect the wire to the spark plug.</li> <li>5. Check the spark plug and adjust the gap if necessary. Replace the spark plug if it is pitted, fouled, or cracked.</li> <li>6. Add or drain oil to adjust the oil level in the engine crankcase to the Full mark on the dipstick.</li> </ol>

Problem	Possible Cause	Corrective Action
The engine runs, but the machine discharges snow poorly or not at all.	<ol style="list-style-type: none"> <li>1. The throttle is not in the FAST position when throwing snow.</li> <li>2. The machine is moving too fast to clear the snow.</li> <li>3. You are trying to remove too much snow per swath.</li> <li>4. You are trying to remove extremely heavy or wet snow.</li> <li>5. The discharge chute is plugged.</li> <li>6. The auger/impeller drive belt is loose or is off the pulley.</li> <li>7. The auger/impeller drive belt is worn or broken.</li> </ol>	<ol style="list-style-type: none"> <li>1. Move the throttle to the FAST position.</li> <li>2. Shift the machine into a lower gear.</li> <li>3. Reduce the amount of snow removed per swath.</li> <li>4. Do not overload the machine with extremely heavy or wet snow.</li> <li>5. Unclog the discharge chute.</li> <li>6. Install and/or adjust the auger/impeller drive belt; refer to <a href="http://www.Toro.com">www.Toro.com</a> for servicing information or take the machine to an Authorized Service Dealer.</li> <li>7. Replace the auger/impeller drive belt; refer to <a href="http://www.Toro.com">www.Toro.com</a> for servicing information or take the machine to an Authorized Service Dealer.</li> </ol>
The discharge chute either does not lock into place or does not move.	<ol style="list-style-type: none"> <li>1. The discharge-chute latch is not properly adjusted.</li> </ol>	<ol style="list-style-type: none"> <li>1. Adjust the discharge-chute latch.</li> </ol>
The machine does not properly clear the snow off the surface.	<ol style="list-style-type: none"> <li>1. The skids and/or scraper are not properly adjusted.</li> <li>2. The pressure in the tires is not equal.</li> </ol>	<ol style="list-style-type: none"> <li>1. Adjust the skids and/or the scraper.</li> <li>2. Check and adjust the pressure in 1 or both tires.</li> </ol>

# Notes:

## EEA/UK Privacy Notice

### **Toro's Use of Your Personal Information**

The Toro Company ("Toro") respects your privacy. When you purchase our products, we may collect certain personal information about you, either directly from you or through your local Toro company or dealer. Toro uses this information to fulfil contractual obligations - such as to register your warranty, process your warranty claim or to contact you in the event of a product recall - and for legitimate business purposes - such as to gauge customer satisfaction, improve our products or provide you with product information which may be of interest. Toro may share your information with our subsidiaries, affiliates, dealers or other business partners in connection these activities. We may also disclose personal information when required by law or in connection with the sale, purchase or merger of a business. We will never sell your personal information to any other company for marketing purposes.

### **Retention of your Personal Information**

Toro will keep your personal information as long as it is relevant for the above purposes and in accordance with legal requirements. For more information about applicable retention periods please contact [legal@toro.com](mailto:legal@toro.com).

### **Toro's Commitment to Security**

Your personal information may be processed in the US or another country which may have less strict data protection laws than your country of residence. Whenever we transfer your information outside of your country of residence, we will take legally required steps to ensure that appropriate safeguards are in place to protect your information and to make sure it is treated securely.

### **Access and Correction**

You may have the right to correct or review your personal data, or object to or restrict the processing of your data. To do so, please contact us by email at [legal@toro.com](mailto:legal@toro.com). If you have concerns about the way in which Toro has handled your information, we encourage you to raise this directly with us. Please note that European residents have the right to complain to your Data Protection Authority.



**Count on it.**