



**Count on it.**

**Parts Catalog**

**Z Master® 8000 Series Riding  
Mower**

**with 122cm Cutting Unit**

**Model No. 74311TE—Serial No. 405700000 and Up**



# Ordering Replacement Parts

To order replacement parts, please supply the part number, the quantity, and the description of each part desired.

## Understanding Reference Numbers

Each identified part in an illustration has a reference number. The reference number for a part also appears in the parts list, along with other information about the part.

This catalog uses two special reference number formats, one to indicate parts in a service assembly and another to indicate the quantity of a given part in an illustration.

## Service Assembly Reference Numbers

Parts in service assemblies have reference numbers in the form a:b. The a represents the reference number of the entire service assembly and the b represents a sequential number unique to each part within the service assembly.

For example, a wheel assembly might be identified by reference number 6, the tire by 6:1, the valve by 6:2, and the wheel by 6:3. When you order the assembly identified by reference number 6, you receive all parts identified by reference numbers 6:1, 6:2, and 6:3. However, you may also order any part individually. Reference numbers of this type appear in illustration and in parts lists.

## Reference Numbers Indicating Quantity

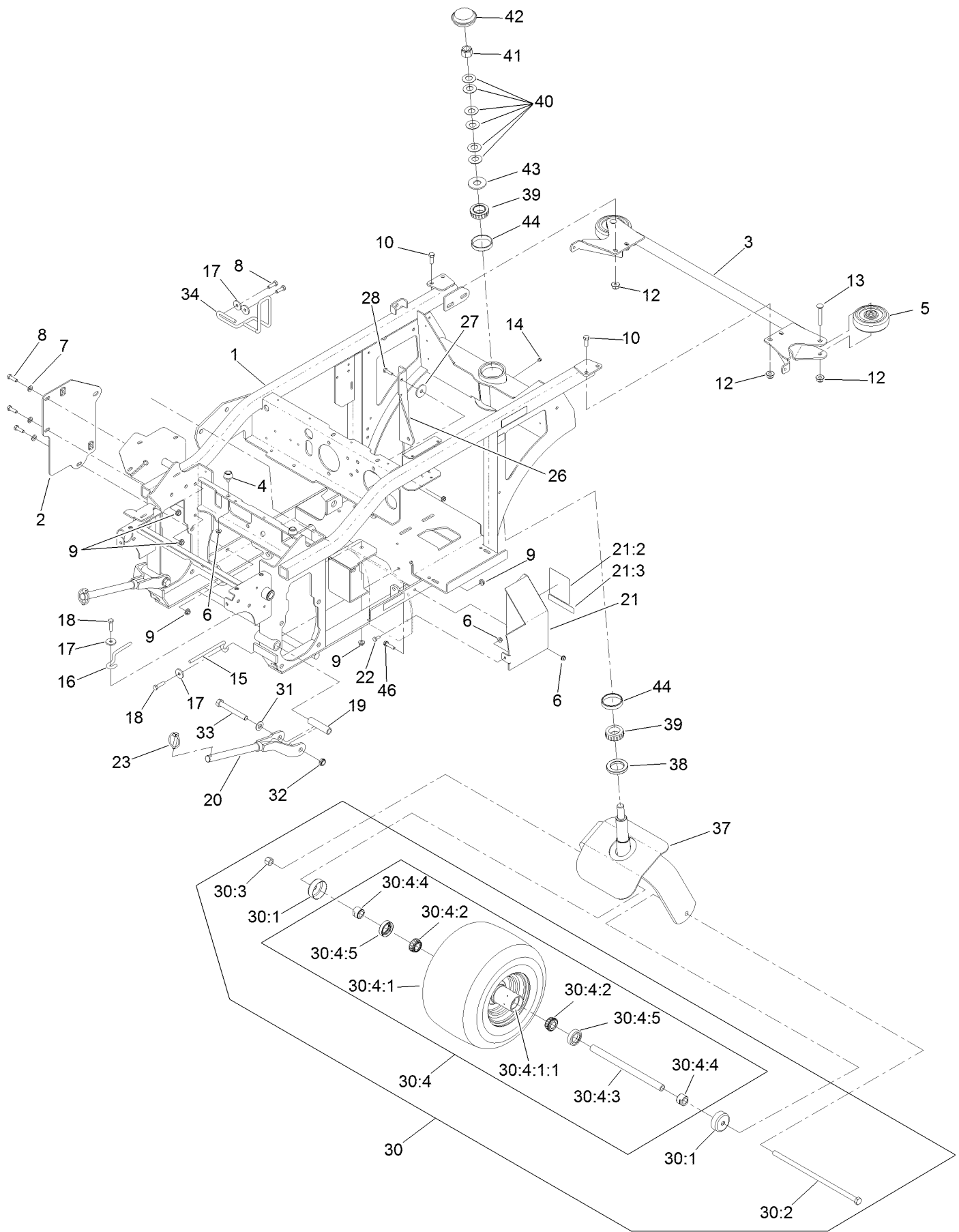
In an illustration, if a reference number indicates more than one part, the reference number has the form nX y. The n represents the quantity of the part, the X is the multiplication symbol, and the y represents the reference number.

For example, in an illustration, the reference number 2X 37 means that two of the parts identified by reference number 37 are indicated.

# Contents

Caster Wheel and Frame Assembly .....	4
Frame and Decal Assembly No. 116-7482 .....	6
Pump and Muffler Guard Assembly .....	8
Roll-Over Protection System Kit No. 130-8459 .....	10
Speed and Steering Control Assembly .....	12
Parking Brake Assembly .....	14
Seat and Console Assembly .....	16
Hydraulic Assembly .....	18
Hydraulic Pump Assembly No. 116-7836 .....	20
Idler Assembly No. 103-7349 .....	22
PTO Guard Assembly .....	24
Blower Mounting Assembly .....	26
Blower Assembly No. 116-9649 .....	28
Engine, Muffler and Air Cleaner Assembly .....	30
Fuel Assembly .....	32
Electrical System Assembly .....	34
Hopper Switch Actuator Assembly No. 103-8528 .....	36
Hopper Mounting Assembly .....	38
Hopper Assembly No. 130-2872 .....	40
Hopper Screen Assembly No. 109-0717 .....	42
Hopper Door Assembly No. 130-2875 .....	44
Hopper Frame Assembly No. 109-4086 .....	46
Drive Assembly .....	48
Deck Mounting Assembly .....	50
Deck Assembly .....	52
Gearbox Assembly No. 103-3387 .....	54
Drive Shaft Assembly No. 103-9485 .....	56
Discharge Tube Assembly .....	58
Rear Deck Height Adjustment Assembly No. 109-0323 .....	60
Deck Decal Assembly No. 142-2922 .....	62
Deck Support Frame Assembly No. 142-2999 .....	64
Deck Support W/Decals Assembly No. 142-2914 .....	66
Spring Lift Assist Assembly No. 116-7851 .....	68
Attachments and Accessories .....	70

# Caster Wheel and Frame Assembly



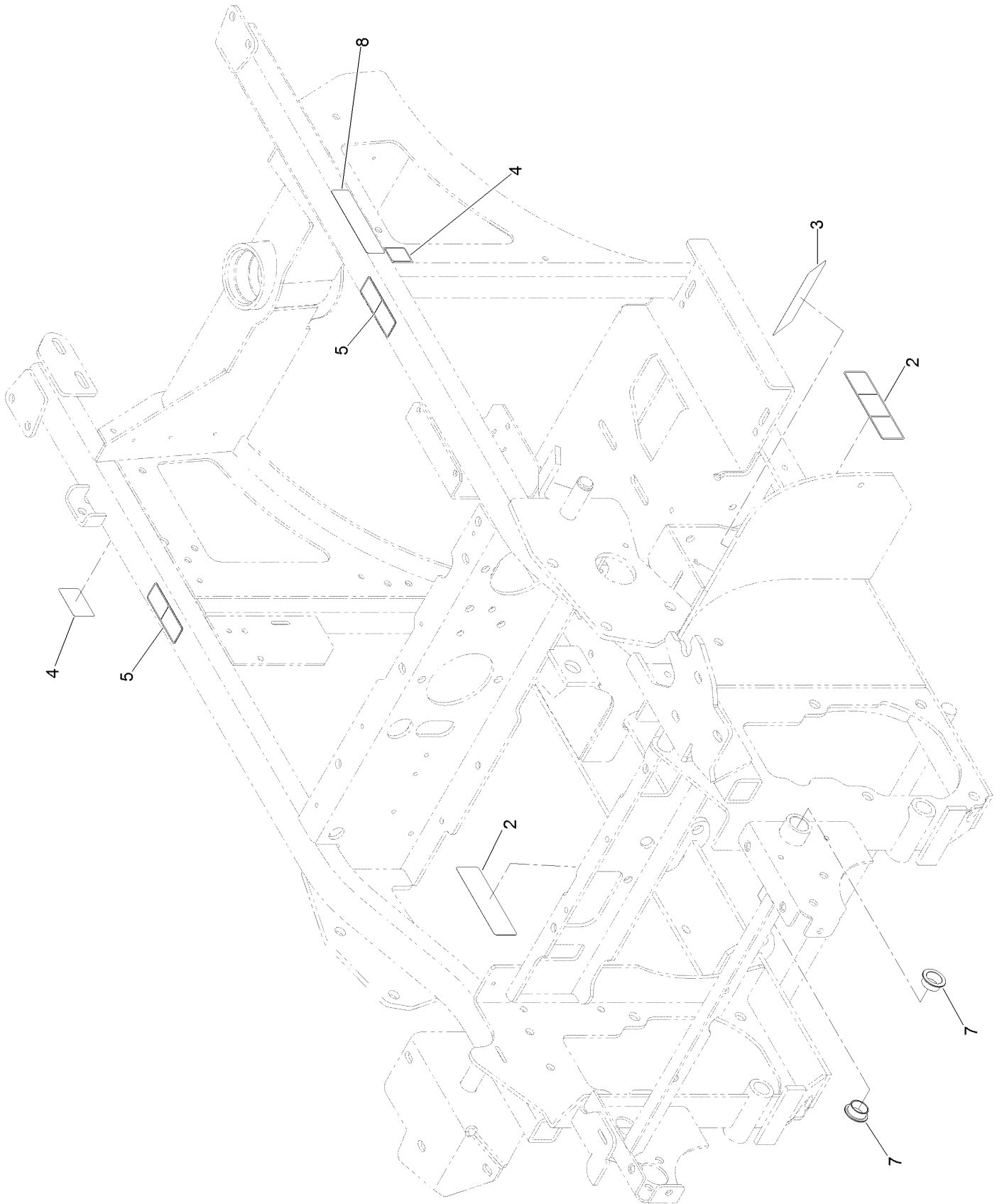
## Caster Wheel and Frame Assembly (continued)

<i>Ref.</i>	<i>Part Number</i>	<i>Qty.</i>	<i>Description</i>	<i>Ref.</i>	<i>Part Number</i>	<i>Qty.</i>	<i>Description</i>
1	116-7482	1	Frame ASM	28	321-6	1	Screw-HH
2	116-7396-03	1	Plate-Support	30	130-2865	1	Wheel And Axle ASM
3	109-0925-03	1	Bumper-Rear	30:1	103-2768	2	Guard-Seal
4	109-2365	1	Bumper-Rubber	30:2	103-7738	1	Screw-HH
5	103-5408	2	Roller-Bumper	30:3	3296-23	1	Nut-Lock, NI
6	32128-33	5	Nut-HF	30:4	130-2864	1	Wheel And Bearing ASM
7	3256-23	3	Washer-Plain	30:4:1		1	Wheel And Tire ASM ●
8	322-5	5	Screw-HH	30:4:1:1	1-633584	2	Bearing-Cup
9	32128-20	5	Nut-HF	30:4:2	1-633585	2	Bearing-Cone, Taper
10	323-6	4	Screw-HH	30:4:3	126-5362	1	Axle Caster ASM
12	104-8301	6	Nut-HF, NI	30:4:4	103-3051	1	Spacer-Nut ■
13	3231-31	2	Screw-CARR	30:4:5	103-0063	2	Seal-Caster
14	1-811010	1	Plug	31	3256-26	2	Washer-Flat
15	103-8333	1	Guide-Belt	32	3296-45	2	Nut-Hex
16	103-8349	1	Guide-Belt	33	325-17	2	Screw-HH
17	1-613235	4	Washer	34	135-5784	1	Wld-Belt Guide
18	322-6	2	Screw-HH	37	103-3351-03	1	Fork-Rear Caster
19	1-633060	2	Spacer-Wheel, Short	38	103-9027	1	Seal-Grease
20	103-6596-03	2	Rod-Push	39	103-9028	2	Bearing-Roller, Cone Taper
21	133-1821	1	Shield ASM-Drive	40	1-633508	6	Washer-Bellville
21:2	116-8941	1	Decal-Belt Routing	41	3296-51	1	Nut-Lock, NI
21:3	98-1977	1	Decal-Warning	42	126-9882	1	Cap-Grease
22	321-3	1	Screw-HH	43	3256-8	1	Washer-Flat
23	103-4155	2	Pin-Lynch	44	103-9029	2	Cup-Tapered, Roller Bearing
26	109-5874-03	1	Brace-PTO	46	120-4654	1	Screw-HHF
27	1-213069	1	Washer				

● Not serviced separately

■ Use Pro-Lock, Nut Type (P/N 1-840022, .5ml tube) on threads.

# Frame and Decal Assembly No. 116-7482

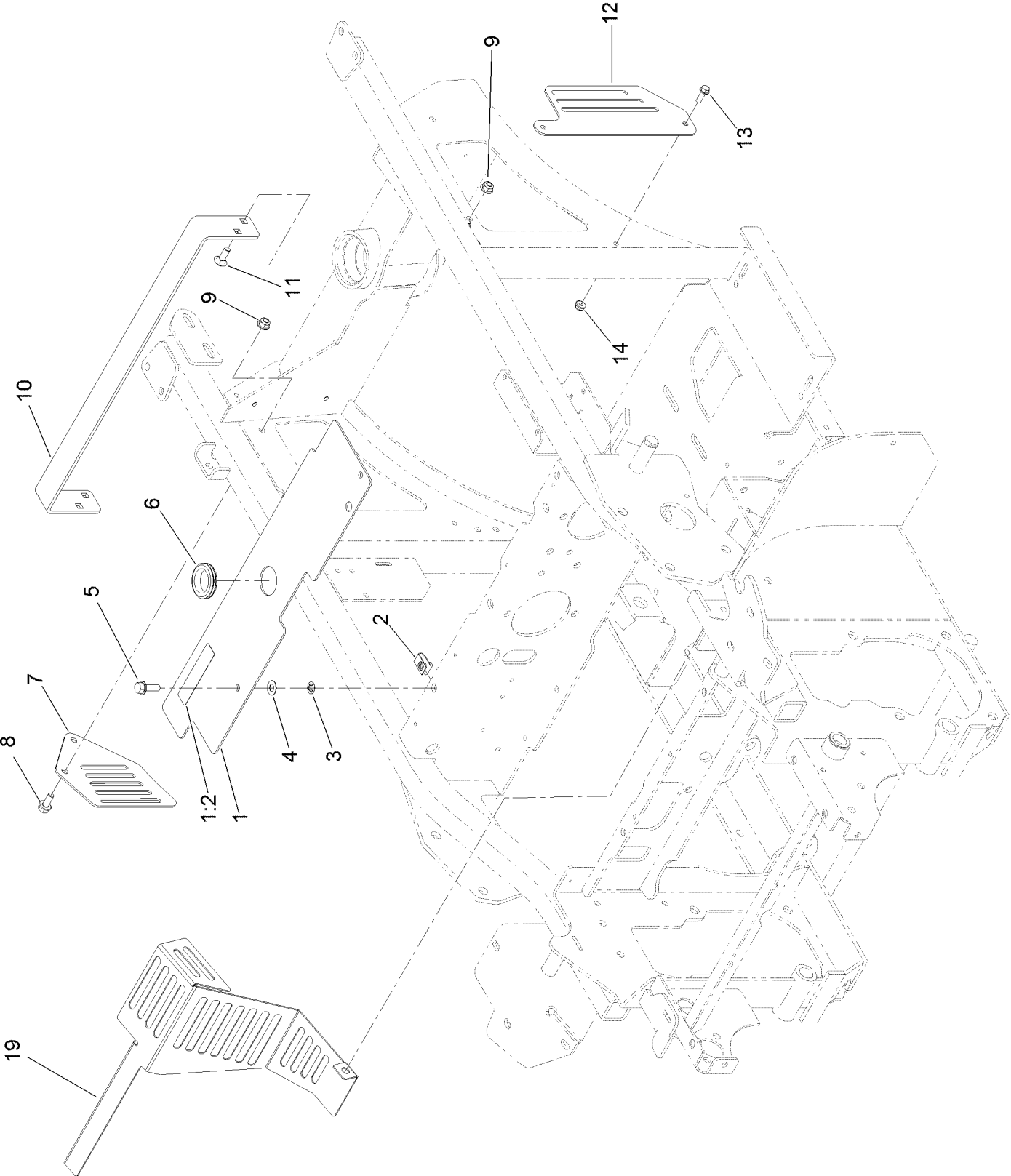


# Frame and Decal Assembly No. 116-7482 (continued)

<i>Ref.</i>	<i>Part Number</i>	<i>Qty.</i>	<i>Description</i>
2	112-9028	2	Decal-Cover, Missing
3	126-4207	1	Decal-Adjustment, Clutch
4	106-5517	2	Decal-Warning

<i>Ref.</i>	<i>Part Number</i>	<i>Qty.</i>	<i>Description</i>
5	120-0625	2	Decal-Warning
7	108519	2	Bushing-Bronze
8	133-8062	1	Decal-Arrestor, Spark

# Pump and Muffler Guard Assembly



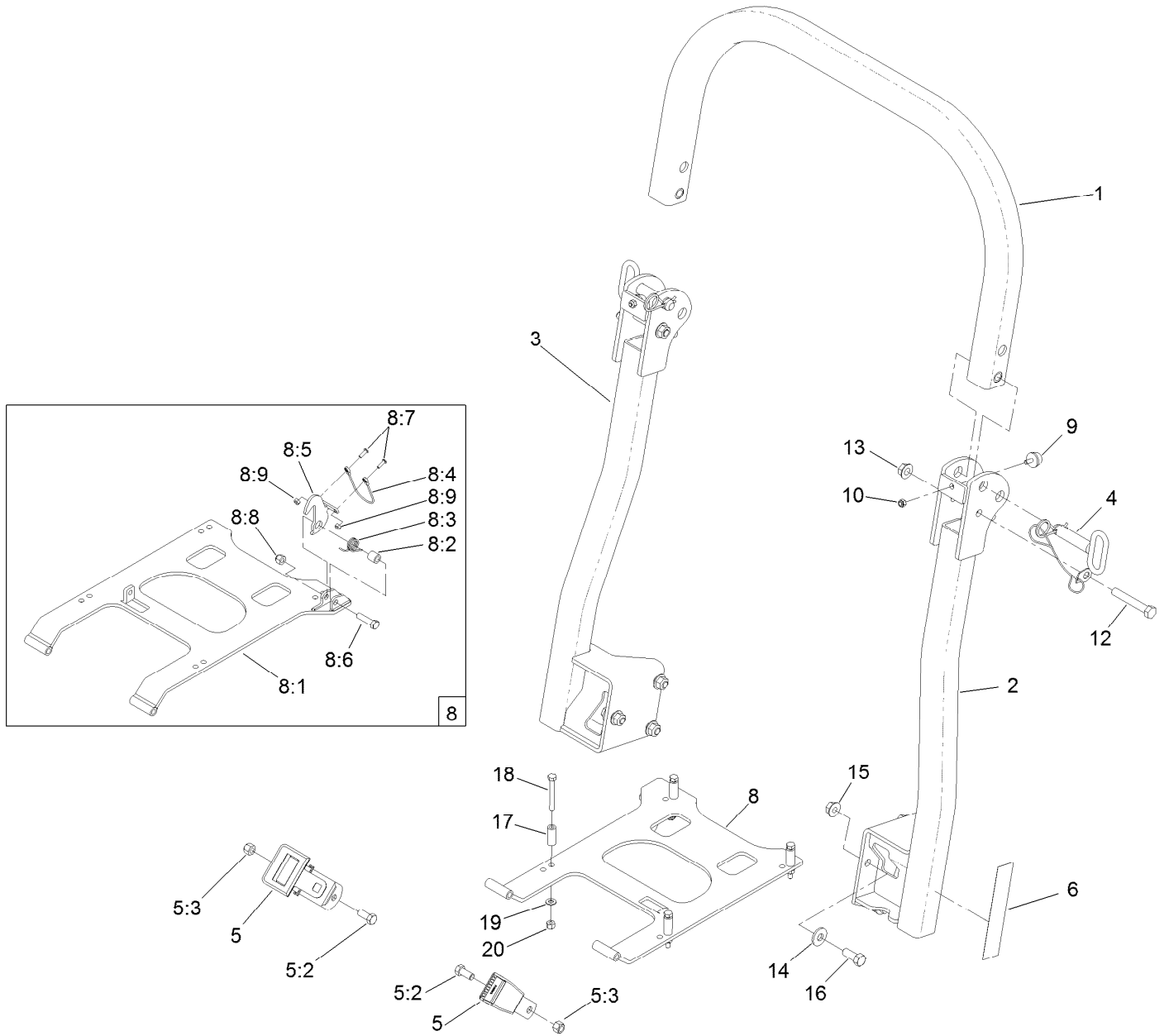


## Pump and Muffler Guard Assembly (continued)

<i>Ref.</i>	<i>Part Number</i>	<i>Qty.</i>	<i>Description</i>	<i>Ref.</i>	<i>Part Number</i>	<i>Qty.</i>	<i>Description</i>
1	133-1826	1	Pump Guard ASM	9	104-8300	6	Nut-HF, NI
1:2	98-1977	1	Decal-Warning	10	133-1823-03	1	Guard-Muffler, Top
2	115-7721	2	Nut-Clip, U	11	3230-16	4	Screw-CARR
3	117-2749	2	Nut-Push	12	133-1822-03	1	Guard-Muffler, LH
4	73-0041	2	Washer-Thrust	13	32105-15	2	Screw-HWH
5	3234-29	2	Screw-HHF	14	104-7201	2	Nut-HF
6	240-3	1	Grommet-Rubber	18	130-8459	1	Kit-ROPS ●
7	133-1824-03	1	Guard-Muffler, RH	19	116-7272-03	1	Shield-Heat
8	3234-47	2	Screw-HHF				

● Not illustrated

# Roll-Over Protection System Kit No. 130-8459



# Roll-Over Protection System Kit No. 130-8459 (continued)

<i>Ref.</i>	<i>Part Number</i>	<i>Qty.</i>	<i>Description</i>	<i>Ref.</i>	<i>Part Number</i>	<i>Qty.</i>	<i>Description</i>
1		1	Tube-Upper ROPS ●	8:7	3274-39	2	Screw-HSBH
2		1	Tube-Support ●	8:8	3296-39	1	Nut-Lock, NI
3		1	Tube-Support ●	8:9	3296-2	2	Nut-Lock, NI
4	103-4553	2	Pin-Fold, ROPS	9	109-2365	2	Bumper-Rubber
5	103-4469	1	Seatbelt Kit	10	3296-73	2	Nut-Lock, NI
5:2	3212-4	2	Screw-HH	12	325-13	2	Screw-HH
5:3	3296-7	2	Nut-Lock	13	32128-23	2	Nut-HF
6	107-3069	1	Decal-Warning	14	1-513435	6	Washer-Spring
8	126-0070	1	Seat Frame ASM	15	32128-49	6	Nut-HHF
8:1	126-0018-03	1	Mount-Seat, ROPS	16	325-5	6	Screw-HH
8:2	75-5270	1	Spacer-Knob, Seat	17	103-0384	4	Spacer
8:3	110-5831	1	Spring-Torsion	18	322-12	4	Screw-HH
8:4	126-0522	1	Cable Grip ASM	19	3256-23	4	Washer-Plain
8:5	126-0358	1	Hook	20	3296-29	4	Nut-Lock, NI
8:6	323-8	1	Screw-HH				

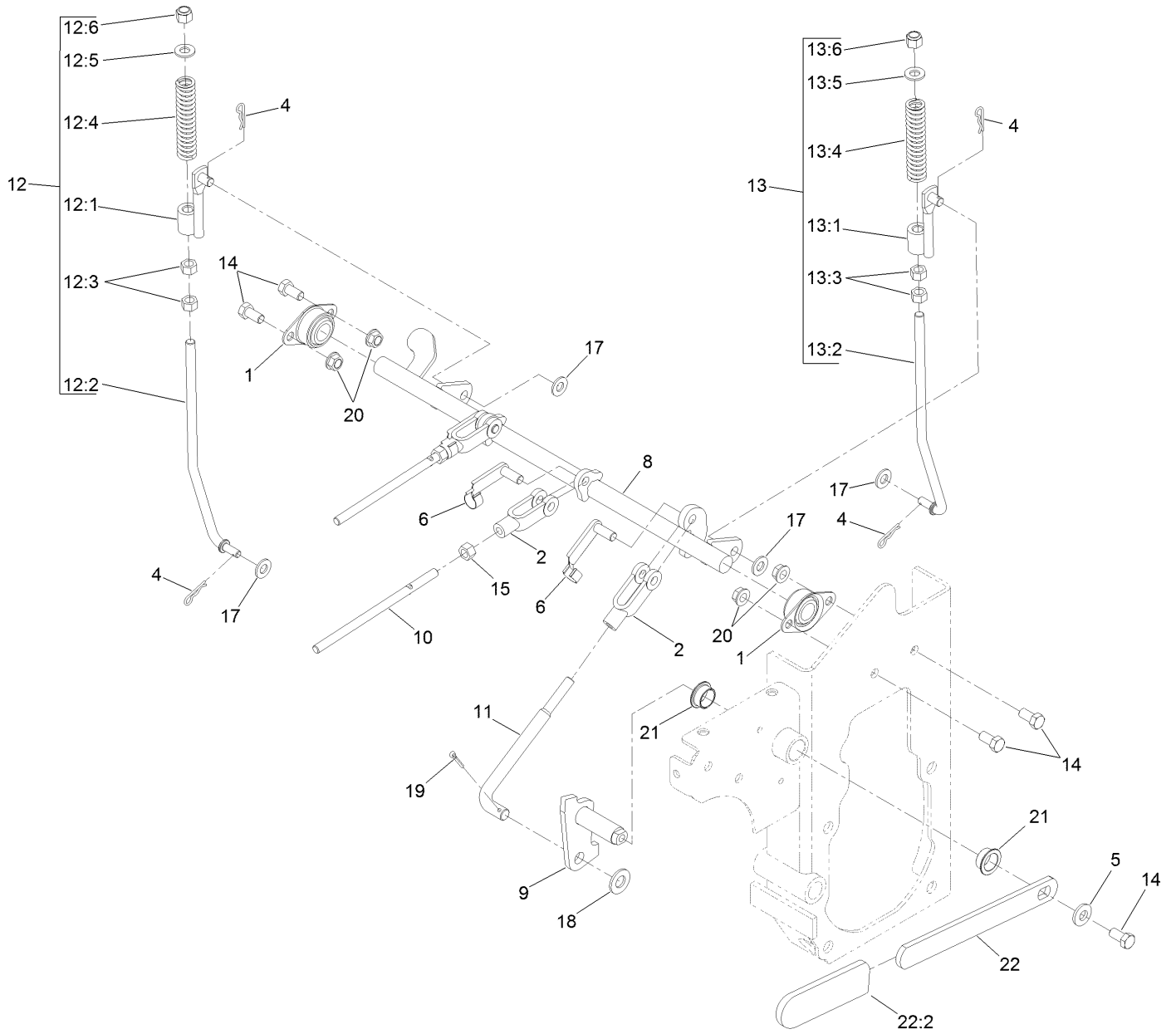
● Not serviced separately



## Speed and Steering Control Assembly (continued)

<i>Ref.</i>	<i>Part Number</i>	<i>Qty.</i>	<i>Description</i>	<i>Ref.</i>	<i>Part Number</i>	<i>Qty.</i>	<i>Description</i>
1	116-7856	1	Shaft-Control, Speed	21:6	103-5945	1	Spacer
2	3257-5	3	Key-Woodruff	21:7	116-7492	1	Rod-Linkage, Steering
3	116-7372	1	Stop-Hub, Center	21:8	3219-2	1	Nut-Hex
4	116-7414	2	Bushing-Plastic	28	322-6	4	Screw-HH
5	116-8475	1	Spring-Torsion, Double	29	104-8300	7	Nut-HF, NI
6	321-11	1	Screw-HH	30	116-9246	2	Handle ASM
7	116-8444	1	RH Control Hub ASM	30:2	103-5994	1	Grip-Handle, Steering
7:2	103-4398	2	Bearing-Flange, Iglide	32	321-5	4	Screw-HH
8	116-7380	1	Spring-Torsion, RH	33	32128-33	4	Nut-HF
9	126-7461	1	RH Steering Handle ASM	34	103-5009	2	Disc-Friction
9:2	116-7422	2	Bearing-Flange, Iglide	35	116-7846	1	Plate-Friction, Speed Control
10	116-7416	1	LH Control Hub ASM	36	116-7845	1	Lever-Speed Control
10:2	103-4398	2	Bearing-Flange, Iglide	37	116-7849	1	Plate-Friction, Speed Control
11	116-7381	1	Spring-Torsion, LH	38	103-5018	3	Washer-Disc, Spring
12	126-7463	1	LH Steering Handle ASM	39	3296-19	1	Nut-Hex
12:1	116-7422	2	Bearing-Flange, Iglide	40	116-7848	1	Screw-HH
13	103-4342	2	Hub-Speed Control	41	116-7859	1	Hub-Control, Speed
14	108-0989	6	Screw-Set	43	3256-23	1	Washer-Plain
15	3296-56	1	Nut-Lock, NI	44	323-8	1	Screw-HH
16	1-633102	2	Bearing-Flange, Side	45	103-4397	1	Knob-Ball, Speed Control
17	323-4	4	Screw-HH	46	3218-3	1	Nut-Jam
18	3290-357	6	Nut-HHF, Whiz	47	133-1832	1	Console ASM
19	3256-3	9	Washer-Flat	47:2	116-9049	1	Decal-Danger, Driveline
20	116-9667	1	RH Pump Linkage ASM	47:3	116-8946	1	Decal-Motor, Wheel
20:1	1-323245	2	Spring-Compression	48	103-5993-03	1	Guide-Plenum
20:2	1-543017	1	Balljoint-RH	49	322-3	6	Screw-HH
20:3	1-633152	1	Balljoint-LH	50	32128-20	3	Nut-HF
20:4	1-804524	2	Nut	51	103-8494	1	Hook
20:5	116-7492	1	Rod-Linkage, Steering	52	322-5	3	Screw-HH
20:6	3219-2	2	Nut-Hex	53	133-1831	1	Pin-Flag
21	116-9668	1	LH Pump Linkage ASM	54	115-7721	1	Nut-Clip, U
21:1	1-323245	2	Spring-Compression	55	117-2749	1	Nut-Push
21:2	1-543017	1	Balljoint-RH	56	73-0041	1	Washer-Thrust
21:3	1-633152	1	Balljoint-LH	57	3234-29	1	Screw-HHF
21:4	1-804524	2	Nut				
21:5	103-3060	1	Knob-Tracking				

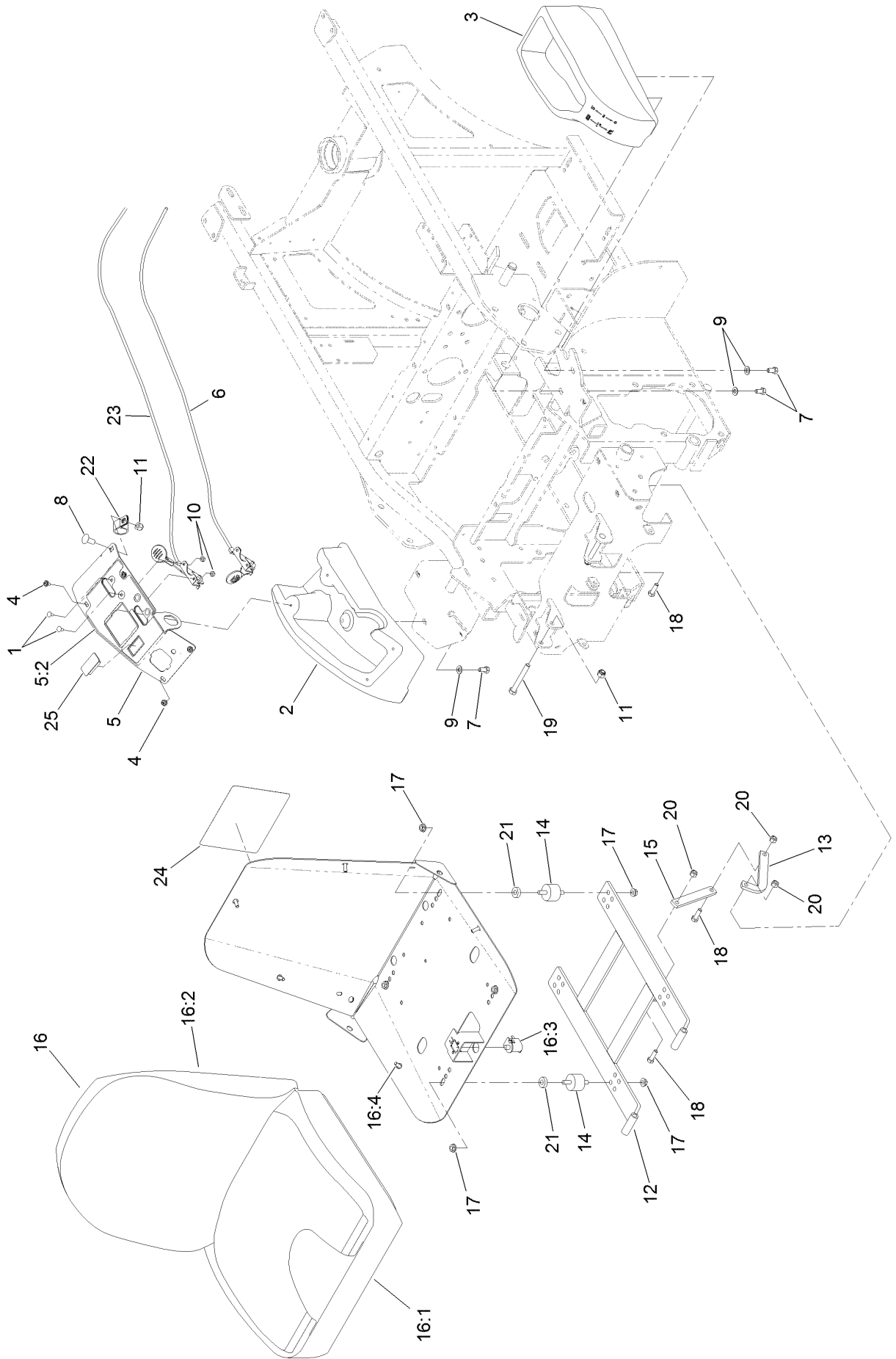
# Parking Brake Assembly



## Parking Brake Assembly (continued)

<i>Ref.</i>	<i>Part Number</i>	<i>Qty.</i>	<i>Description</i>	<i>Ref.</i>	<i>Part Number</i>	<i>Qty.</i>	<i>Description</i>
1	1-633102	2	Bearing-Flange, Side	13	116-9749	1	LH Brake Linkage ASM
2	1-633131	3	Yoke-Linkage, Brake	13:1	116-8467	1	Brake Linkage ASM
4	1-806003	4	Pin-Cotter	13:2	116-8464	1	Link-Brake, LH
5	98-5975	1	Washer-Belleville	13:3	3219-3	2	Nut-Hex
6	103-2399	3	Pin-Spring, Clevis	13:4	116-8470	1	Spring-Compression
8	116-7483-03	1	Shaft-Brake	13:5	3256-24	1	Washer-Flat
9	116-7486	1	Pivot-Brake	13:6	3296-6	1	Nut-Lock
10	116-7838	2	Rod-Linkage, Brake	14	323-4	5	Screw-HH
11	116-8474	1	Rod-Linkage, Brake	15	3219-3	2	Nut-Hex
12	116-9748	1	RH Brake Linkage ASM	17	3256-24	4	Washer-Flat
12:1	116-8467	1	Brake Linkage ASM	18	3256-26	1	Washer-Flat
12:2	116-8465	1	Link-Brake, RH	19	3272-10	1	Pin-Cotter
12:3	3219-3	2	Nut-Hex	20	3290-357	4	Nut-HHF, Whiz
12:4	116-8470	1	Spring-Compression	21	108519	2	Bushing-Bronze
12:5	3256-24	1	Washer-Flat	22	103-9469	1	Park Brake Handle ASM
12:6	3296-6	1	Nut-Lock	22:2	1-633268	1	Grip-Lever

# Seat and Console Assembly

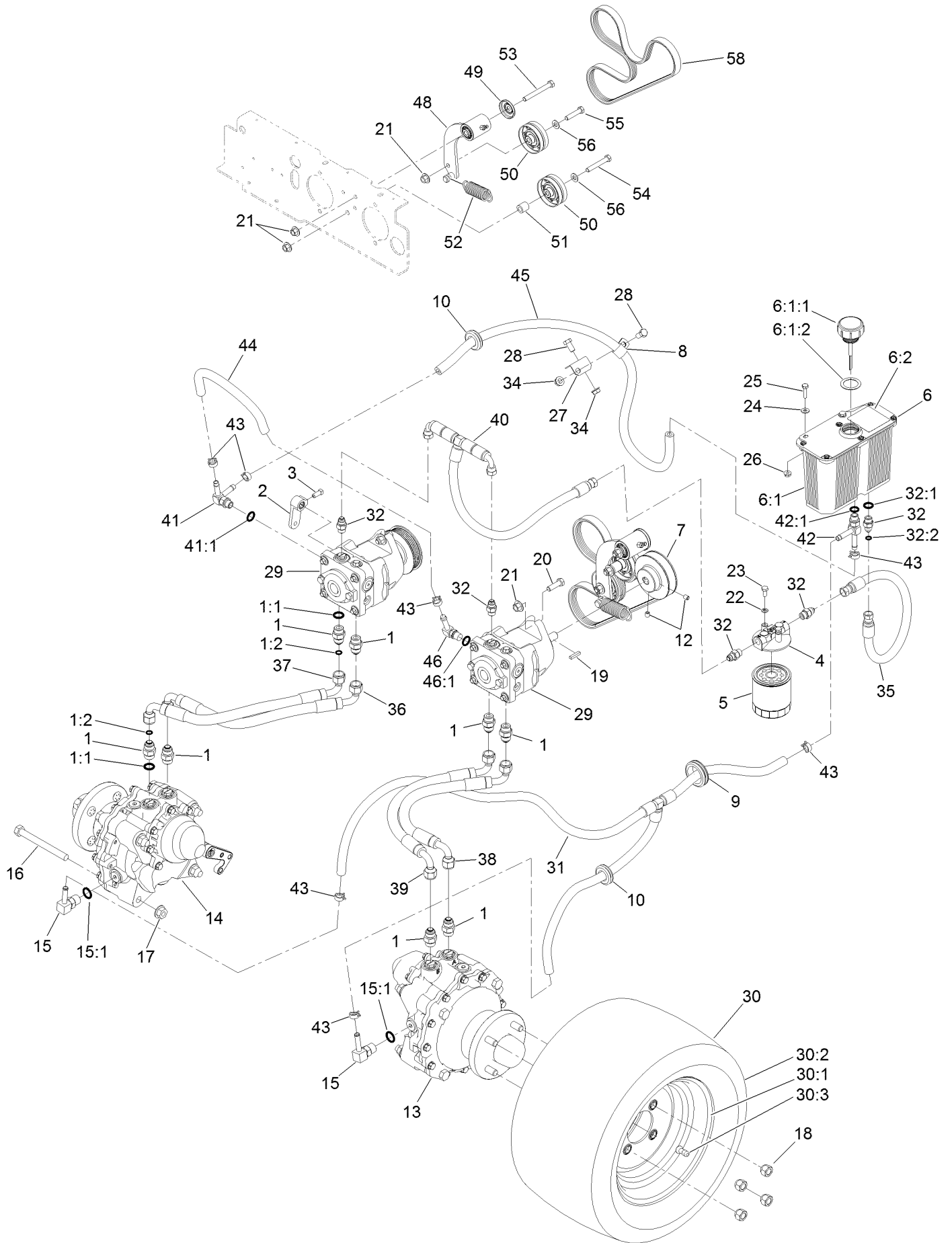




## Seat and Console Assembly (continued)

<i>Ref.</i>	<i>Part Number</i>	<i>Qty.</i>	<i>Description</i>	<i>Ref.</i>	<i>Part Number</i>	<i>Qty.</i>	<i>Description</i>
1	1-807513	4	Bolt-CARR	15	103-8563	1	Link-Seat
2	130-2857	1	Console-RH	16	130-2852	1	Seat ASM
3	126-4343	1	Console-LH	16:1	121-4751	1	Cushion-Seat, Bottom
4	109-2661	4	Screw-PPH	16:2	121-4752	1	Cushion-Seat, Back
5	130-2896	1	Control Panel ASM	16:3	82-2190	1	Switch-Bail
5:2	130-2880	1	Decal-Control	16:4	103-8383	5	Bolt-Seat
6	109-4641	1	Cable-Throttle	17	32128-20	8	Nut-HF
7	322-2	6	Screw-HH	18	322-5	3	Screw-HH
8	3231-27	1	Screw-CARR	19	323-14	2	Screw-HH
9	3256-23	6	Washer-Plain	20	3296-29	3	Nut-Lock, NI
10	3296-2	4	Nut-Lock, NI	21	5-0652	4	Spacer
11	3296-39	3	Nut-Lock, NI	22	1-643312	1	Clip-Loom
12	103-4362-03	1	Frame-Seat	23	109-4640	1	Cable-Choke
13	116-9554	1	Link-Seat Stop	24	116-9044	1	Decal-Service Aid
14	103-5496	4	Mount-Vibration, Rubber	25	99-7420	1	Plug-Hole

# Hydraulic Assembly



## Hydraulic Assembly (continued)

<i>Ref.</i>	<i>Part Number</i>	<i>Qty.</i>	<i>Description</i>	<i>Ref.</i>	<i>Part Number</i>	<i>Qty.</i>	<i>Description</i>
1	1-603990	8	Fitting-Straight	30	130-2869	2	Wheel And Tire ASM
1:1	1-603920	1	O-Ring	30:1	130-2868	1	Wheel
1:2	1-603992	1	O-Ring	30:2	105-1945	1	Tire
2	1-632208	2	Arm-Control, Pump	30:3	232-27	1	Stem-Valve
3	120-6474	2	Screw-Set, SQH	31	116-7831	1	Hydraulic Hose ASM
4	104-7836	1	Head-Filter	32	103-2156	5	Fitting-Straight
5	114-3494	1	Element-Filter, 25 Micron	32:1	1-603921	1	O-Ring
6	116-9274	1	Reservoir ASM	32:2	103-1020	1	O-Ring
6:1		1	Reservoir-HYD ●	34	3290-357	2	Nut-HHF, Whiz
6:1:1	116-9273	1	Reservoir Cap ASM	35	126-4400	1	Hydraulic Hose ASM
6:1:2	103-1949	1	Gasket-Cap	36	116-7827	1	Hydraulic Hose ASM
6:2	115-4212	1	Decal-Warning	37	116-7828	1	Hydraulic Hose ASM
7	103-4246	2	Sheave	38	116-7829	1	Hydraulic Hose ASM
8	1-633396	1	Clip-Loom	39	116-7830	1	Hydraulic Hose ASM
9	103-7706	1	Grommet	40	109-1264	1	Hydraulic Hose ASM
10	1-543286	2	Grommet	41	103-5469	1	Adapter-Tee
12	1-803310	4	Screw-Set	41:1	237-42	1	O-Ring
13	116-7401	1	Motor-HYD, LH	42	103-1828	1	Adapter-Run, Tee
14	116-7402	1	Motor-HYD, RH	42:1	237-42	1	O-Ring
15	354-134	2	Fitting-90	43	103-1988	7	Clamp-Hose
15:1	237-79	1	O-Ring	44	103-5452	1	Hose-HYD
16	325-19	8	Screw-HH	45	103-5477	1	Hose-HYD
17	32128-49	8	Nut-HHF	46	100-4887	1	Fitting-Elbow, 90
18	242-50	8	Nut-Lug	46:1	237-42	1	O-Ring
19	1-807272	2	Key	48	103-7349	1	Short Idler ASM
20	323-7	4	Screw-HH	49	103-2916	1	Guard-Top
21	32128-43	7	Nut-Flange	50	116-6361	2	Pulley
22	1-805004	2	Washer-Lock	51	106-5574	1	Spacer-Mounting, Steering
23	321-3	2	Screw-HH	52	1-653331	1	Spring-Idler
24	3256-22	2	Washer-Flat	53	323-20	1	Screw-HH
25	321-6	2	Screw-HH	54	323-12	1	Screw-HH
26	32128-33	2	Nut-HF	55	323-9	1	Screw-HH
27	103-8631	1	Bracket-Clamp	56	3256-24	2	Washer-Flat
28	323-4	2	Screw-HH	58	130-2871	1	Belt-V
29	116-7836	2	12Cc Hydro Pump ASM				

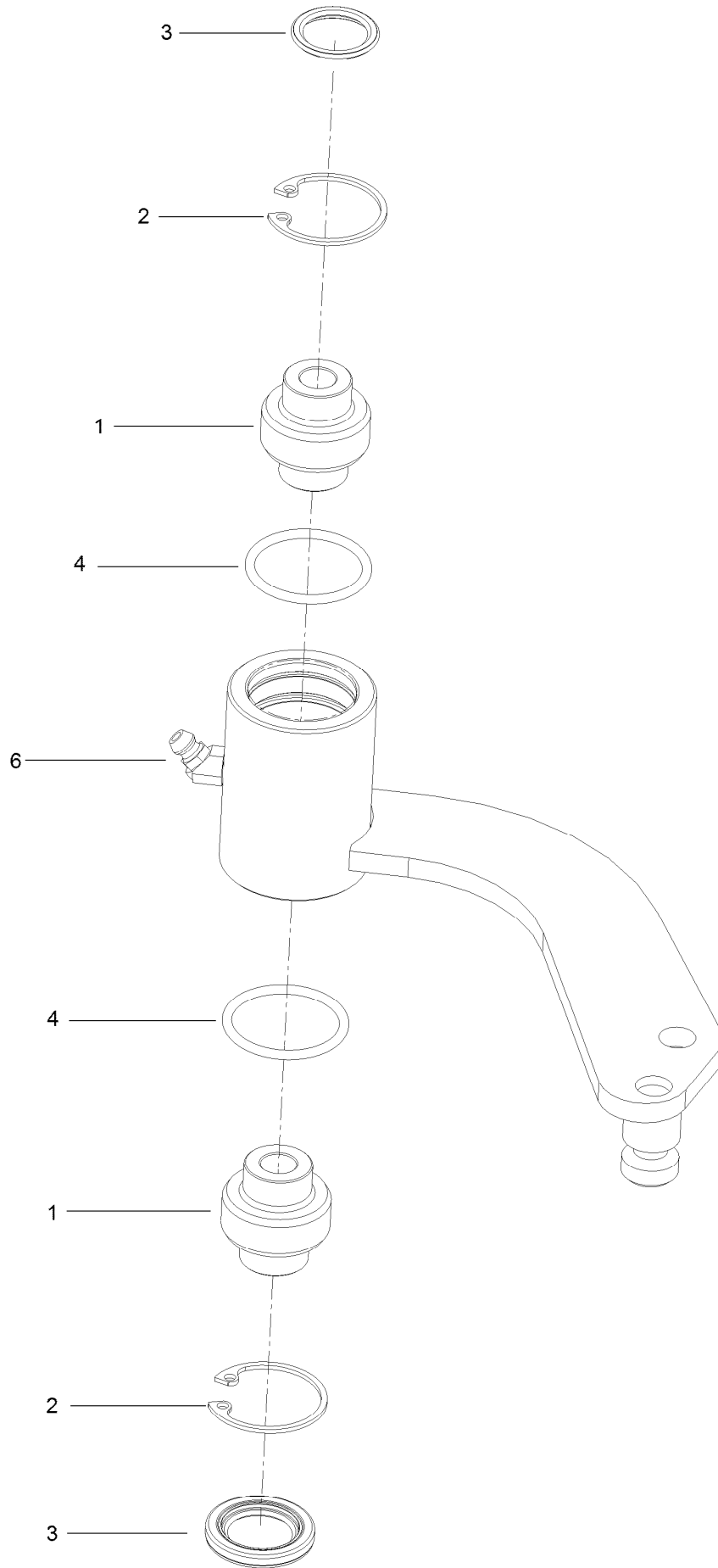
● Not serviced separately



# Hydraulic Pump Assembly No. 116-7836 (continued)

<i>Ref.</i>	<i>Part Number</i>	<i>Qty.</i>	<i>Description</i>	<i>Ref.</i>	<i>Part Number</i>	<i>Qty.</i>	<i>Description</i>
1	104-5311	1	Bearing-Ball	3	121-3235	1	Bearing-Thrust, Plastic Cage
2	103-7443	1	Cylinder Block Kit	4	105-6184	1	Seal Overhaul Kit

# Idler Assembly No. 103-7349

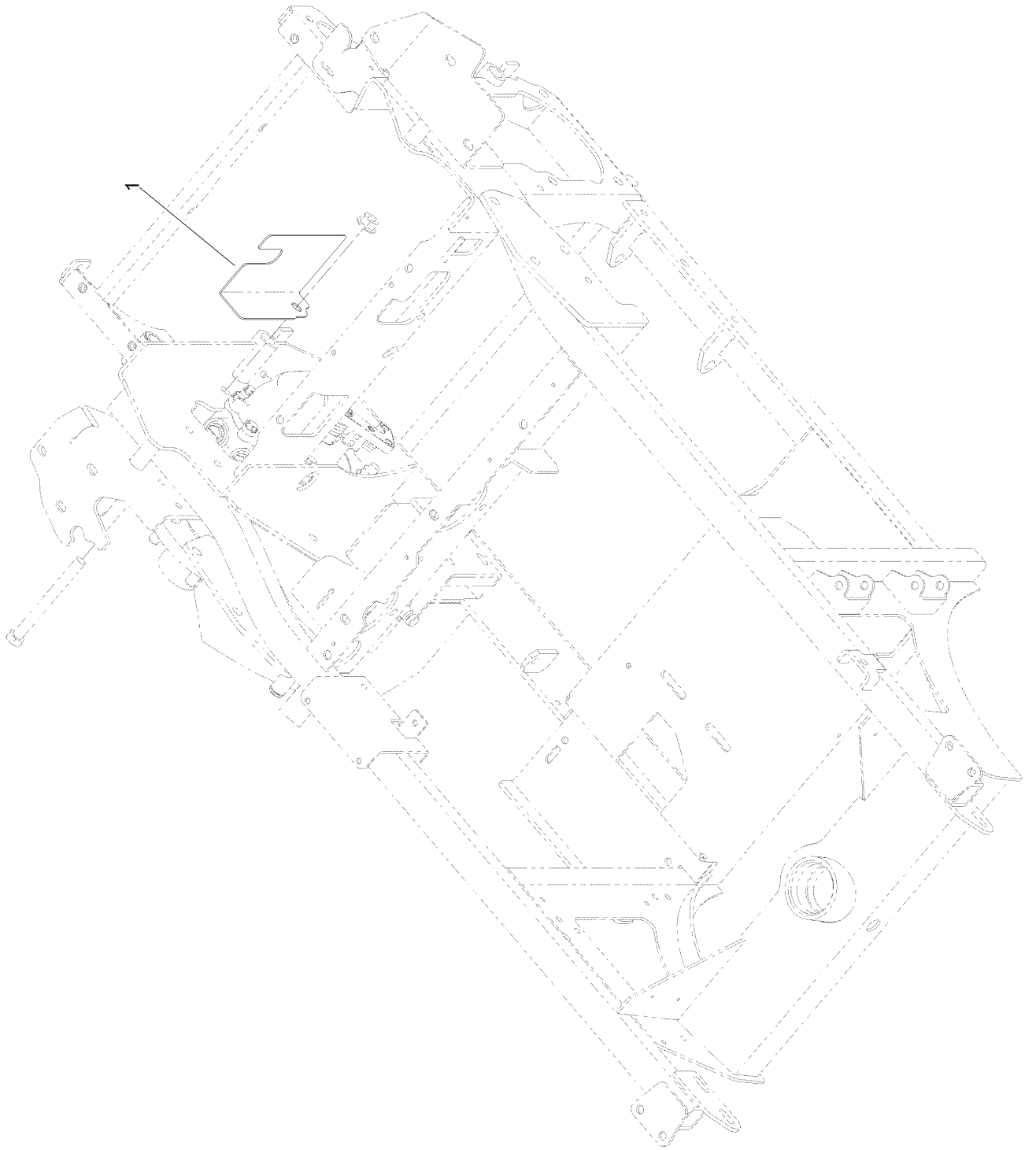


## Idler Assembly No. 103-7349 (continued)

<i>Ref.</i>	<i>Part Number</i>	<i>Qty.</i>	<i>Description</i>
1	103-3504	2	Bearing-Spherical
2	32120-10	2	Ring-Snap
3	103-3506	2	Seal-Lip, Single

<i>Ref.</i>	<i>Part Number</i>	<i>Qty.</i>	<i>Description</i>
4	106-7159	2	O-Ring
6	302-11	1	Fitting-Lube, 45 DEG

# PTO Guard Assembly

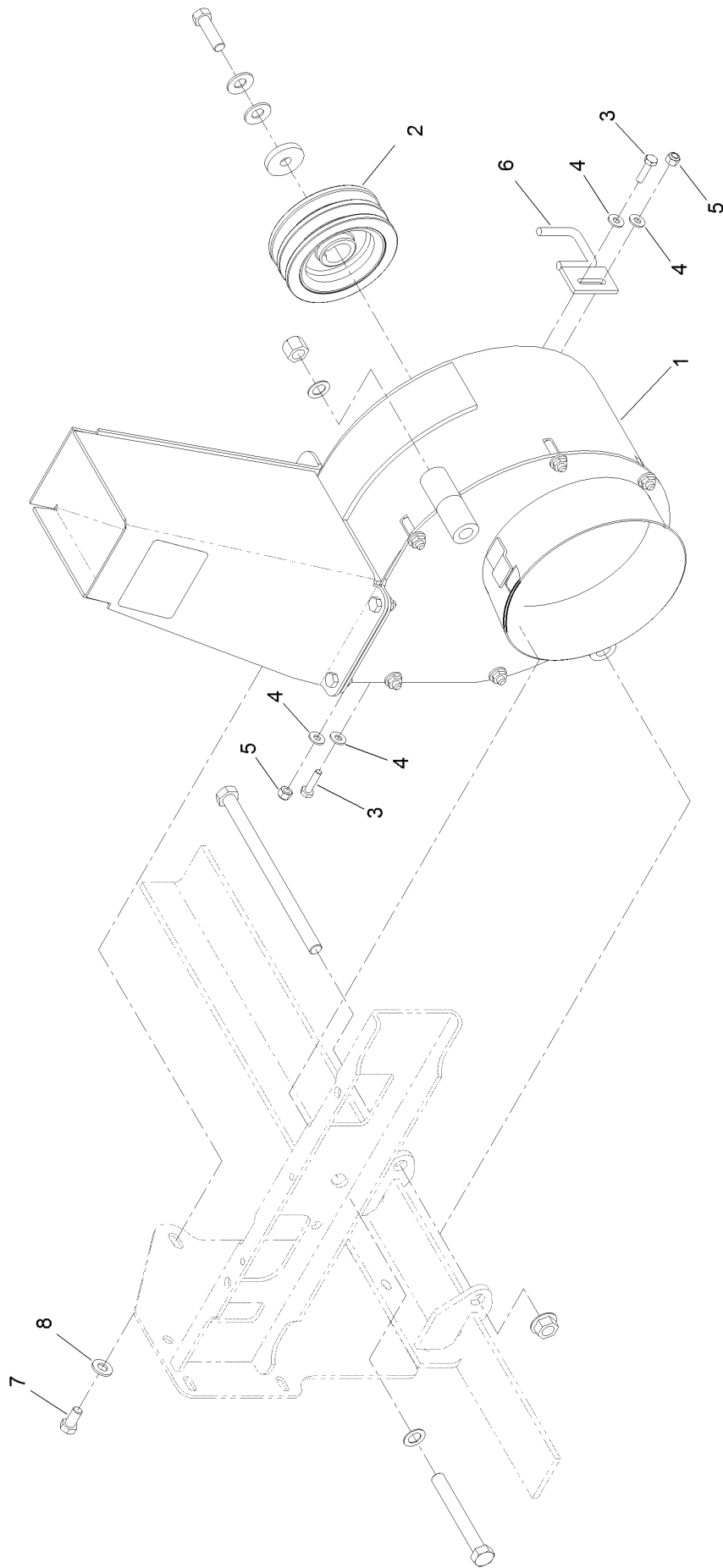




## PTO Guard Assembly (continued)

<i>Ref.</i>	<i>Part Number</i>	<i>Qty.</i>	<i>Description</i>
1	136-1662-03	1	Guard-PTO

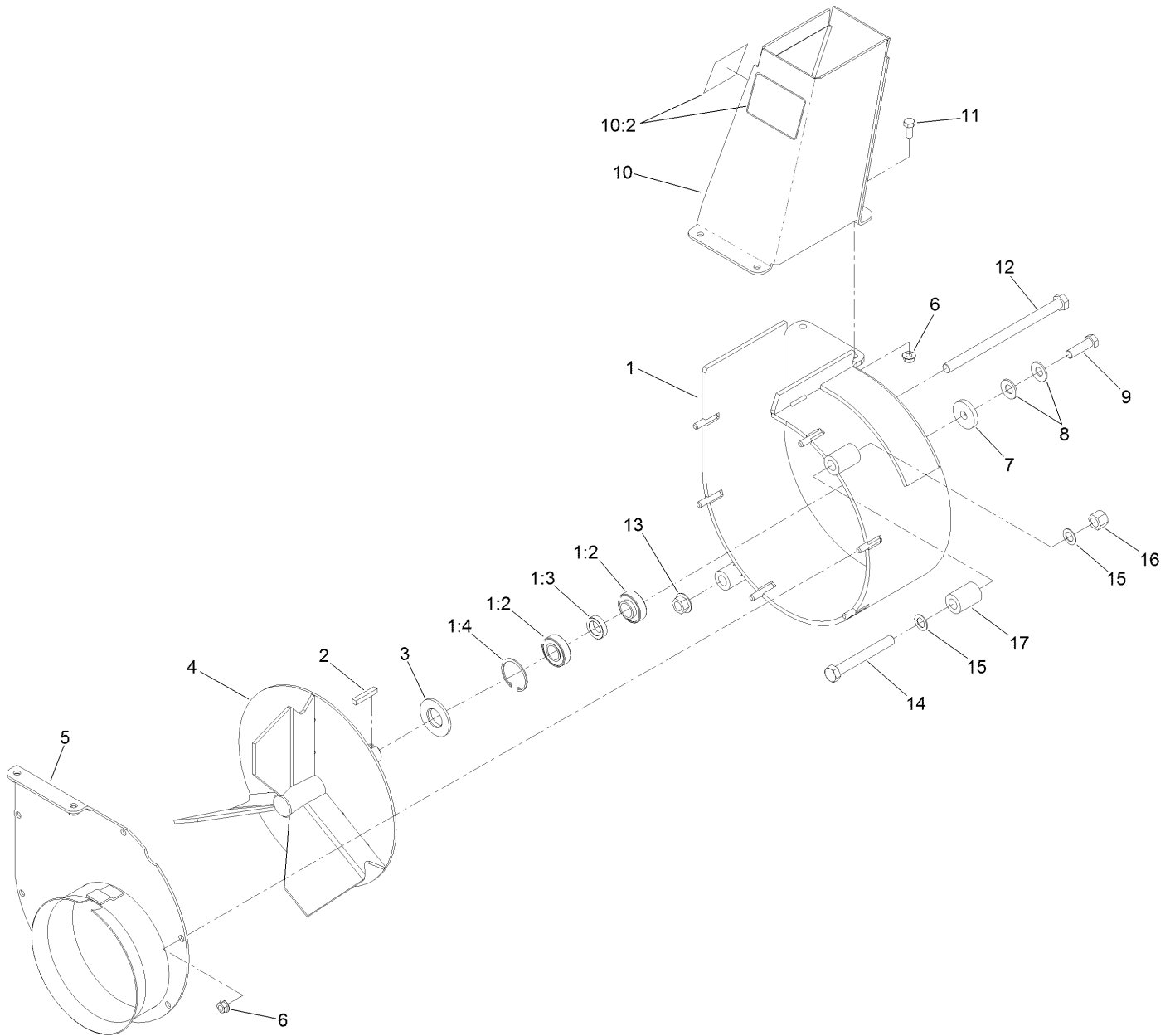
# Blower Mounting Assembly



## Blower Mounting Assembly (continued)

<i>Ref.</i>	<i>Part Number</i>	<i>Qty.</i>	<i>Description</i>	<i>Ref.</i>	<i>Part Number</i>	<i>Qty.</i>	<i>Description</i>
1	116-9649	1	Blower ASM	5	3296-42	2	Nut-Lock, NI
2	103-6733	1	Sheave-Blower	6	103-9167-03	1	Guide
3	321-6	2	Screw-HH	7	323-4	1	Screw-HH
4	3256-22	4	Washer-Flat	8	3256-24	1	Washer-Flat

# Blower Assembly No. 116-9649

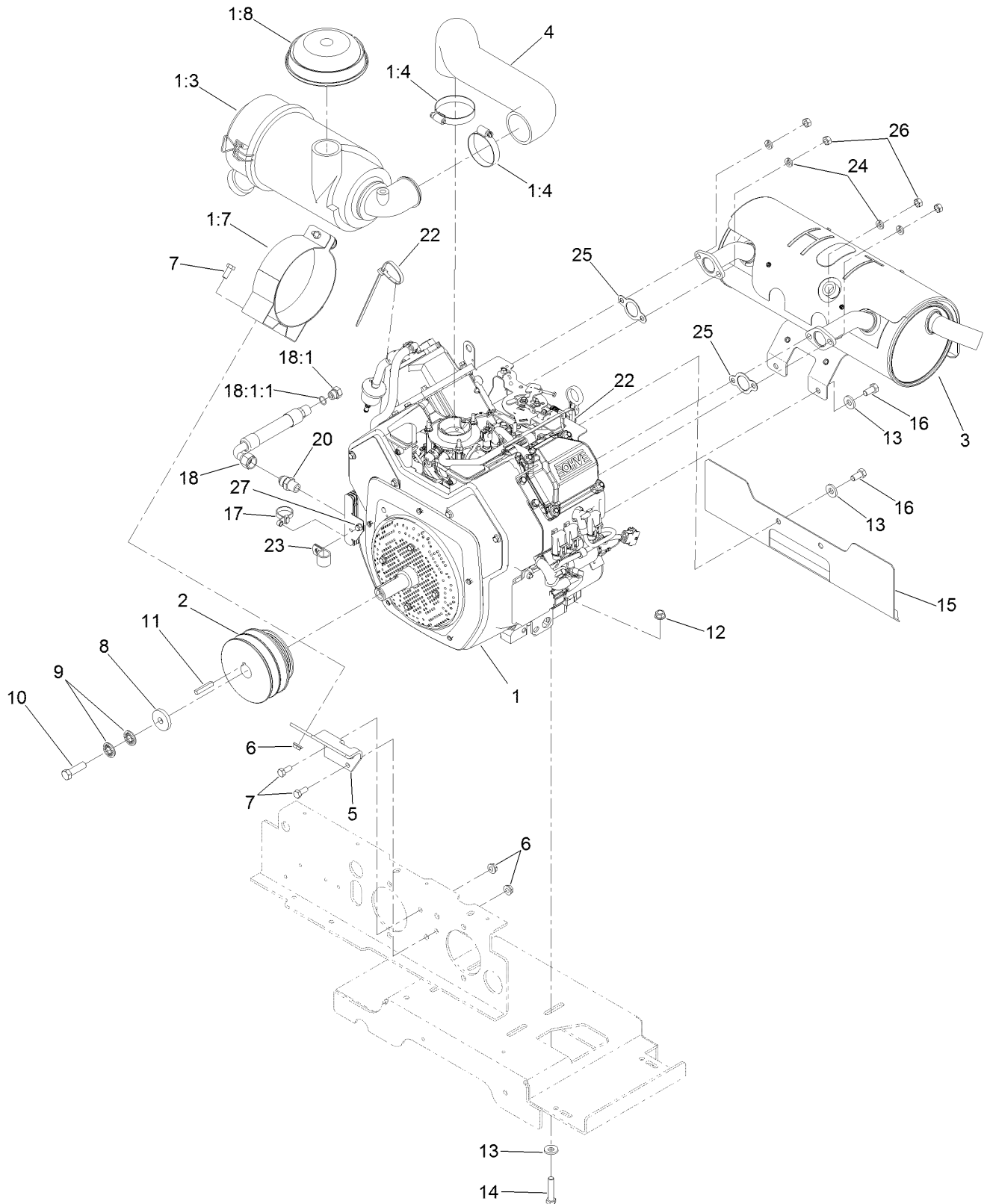


## Blower Assembly No. 116-9649 (continued)

<i>Ref.</i>	<i>Part Number</i>	<i>Qty.</i>	<i>Description</i>
1	116-9648	1	Housing ASM
1:2	103-3540	2	Bearing-Ball
1:3	103-4921	1	Spacer-Bearing
1:4	32120-8	2	Ring-Snap
2	67-7490	1	Key-Square
3	103-3894	1	Spacer-Blower
4	103-5194	1	Impeller-3 Blade
5	103-3370-03	1	Cover-Blower
6	32128-20	10	Nut-HF
7	1-543610	1	Washer-Clutch
8	1-603610	2	Washer-Spring

<i>Ref.</i>	<i>Part Number</i>	<i>Qty.</i>	<i>Description</i>
9	3212-6	1	Screw-HH
10	103-9474	1	Discharge Chute ASM
10:2	116-8943	2	Decal-Danger, Impeller
11	322-3	4	Screw-HH
12	325-42	1	Screw-HH
13	32128-23	1	Nut-HF
14	325-17	1	Screw-HH
15	18-9810	2	Washer-Thrust
16	3296-23	1	Nut-Lock, NI
17	103-6999	1	Spacer-Mount

# Engine, Muffler and Air Cleaner Assembly



# Engine, Muffler and Air Cleaner Assembly (continued)

<i>Ref.</i>	<i>Part Number</i>	<i>Qty.</i>	<i>Description</i>	<i>Ref.</i>	<i>Part Number</i>	<i>Qty.</i>	<i>Description</i>
1		1	Engine-Kohler, Ch640-3164 ●■	12	3290-357	4	Nut-HHF, Whiz
1:3	103-8569	1	Air Cleaner Canister ASM	13	98-5975	8	Washer-Belleville
1:4	2412-42	2	Clamp-Hose	14	323-9	4	Screw-HH
1:7	103-1058	1	Bracket-Filter, Air	15	109-0181-03	1	Shield-Exhaust
1:8	100-2436	1	Hood-Cleaner, 2" Air Intake	16	323-4	4	Screw-HH
2	103-6731	1	Sheave-Engine	17	109-7896	1	Tie-Cable
3	103-7444	1	Muffler	18	116-5338	1	Oil Drain Hose ASM
4	103-6961	1	Hose-Air Intake	18:1	353-508	1	Plug-HH
5	103-3695-03	1	Bracket-Filter, Air	18:1:1	237-42	1	O-Ring
6	32128-20	4	Nut-HF	20	116-1455	1	Fitting-Straight ▲
7	322-3	4	Screw-HH	22	1-303335	3	Tie-Plastic
8	1-543610	1	Washer-Clutch	23	1-633396	1	Clip-Loom
9	1-603610	2	Washer-Spring	24	1-805005	4	Washer-Lock
10	3212-6	1	Screw-HH ◆	25	1-653291	2	Gasket-Exhaust
11	67-7490	1	Key-Square	26	33014-00	4	Nut-Hex
				27	126-4338	1	Screw-HH

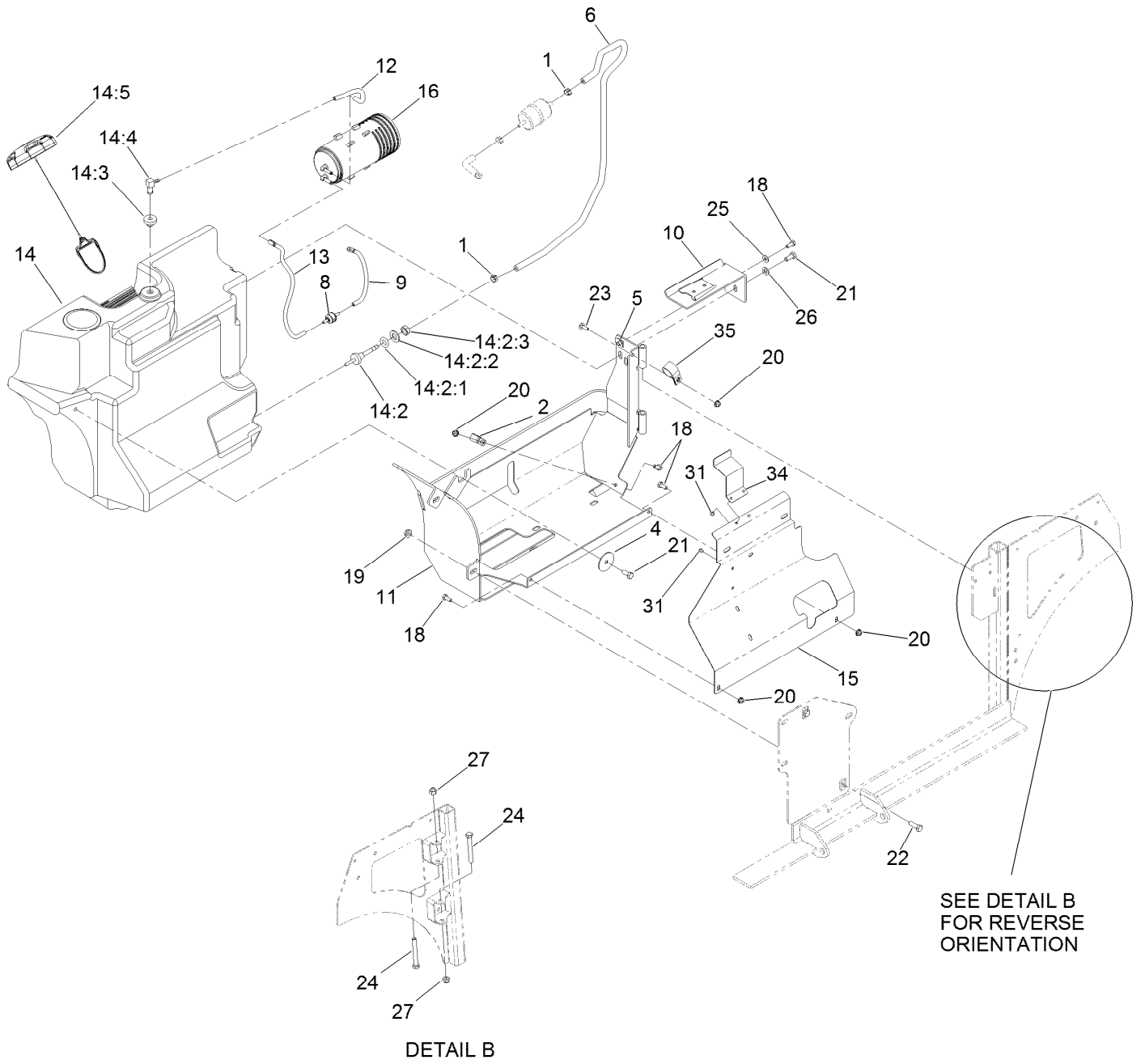
● Not serviced separately

▲ Use a Teflon Pipe Sealant or equivalent on threads.

◆ Use Pro-Lock, Nut Type (P/N 1-840022, .5ml tube) on threads.

■ Obtain parts from [www.kohlerplus.com](http://www.kohlerplus.com)

# Fuel Assembly





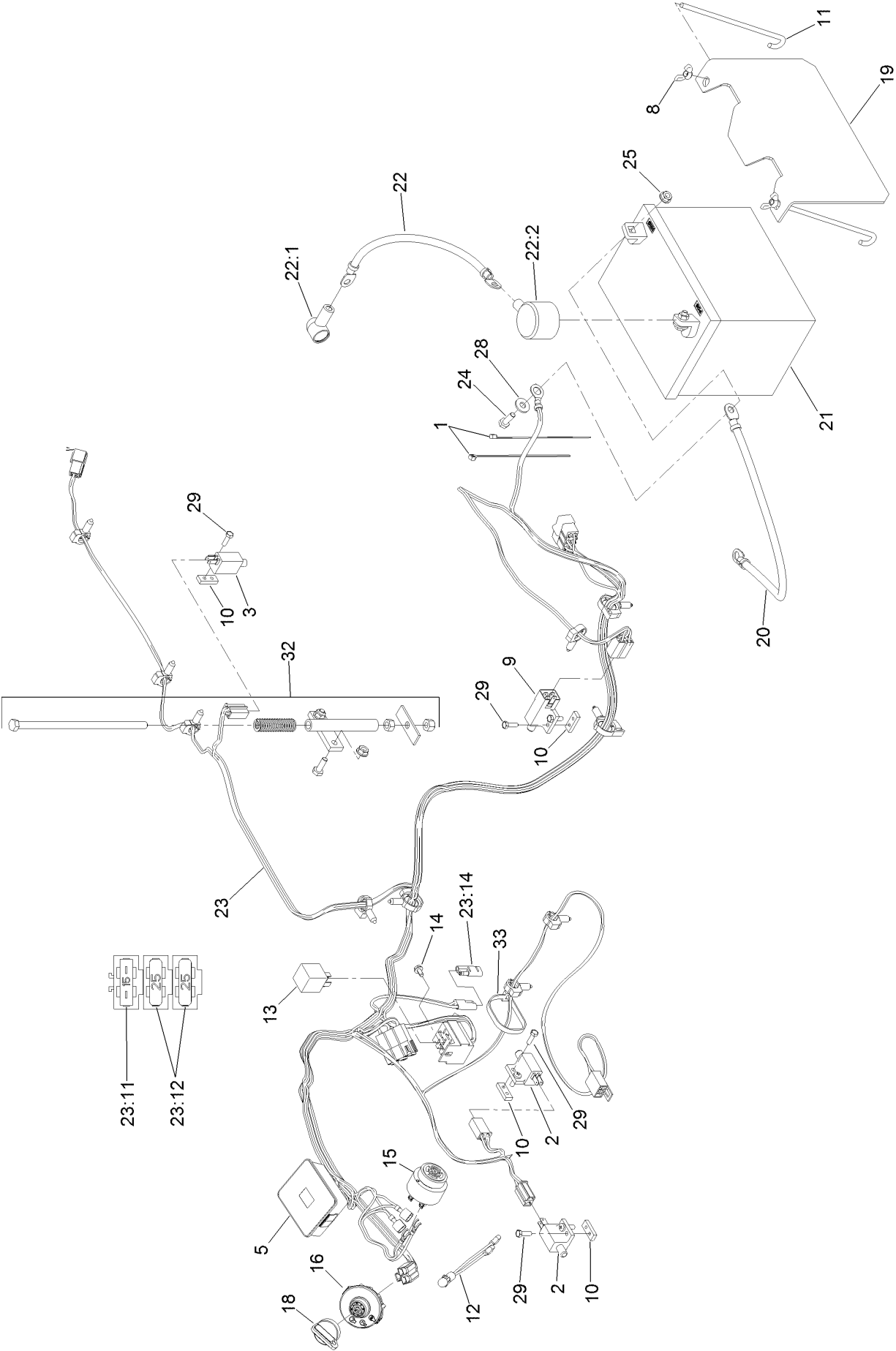
## Fuel Assembly (continued)

<i>Ref.</i>	<i>Part Number</i>	<i>Qty.</i>	<i>Description</i>	<i>Ref.</i>	<i>Part Number</i>	<i>Qty.</i>	<i>Description</i>
1	2412-98	2	Clamp-Hose	14:4	100-1596	1	Fitting-90 DEG
2	1-513762	1	Clip-Loom	14:5	137-4119	1	Cap-Fuel, Ratcheting
4	1-653036	1	Washer	15	116-7928-03	1	Panel-Tank Shield
5	107069	1	Clip	16	117-1221	1	Canister-Carbon, 800Cc
6	109-0284	1	Hose-Fuel	18	321-3	4	Screw-HH
8	133-8499	1	Valve-Check, Vacuum	19	32128-20	2	Nut-HF
9	116-2619	1	Hose-Vent, Formed	20	104-7201	4	Nut-HF
10	116-2847-03	1	Canister Bracket ASM	21	322-3	2	Screw-HH ●
11	116-2848-03	1	Tank Frame ASM	22	322-5	2	Screw-HH ■
12	116-2966	1	Hose-Vent, Formed	23	3229-1	1	Screw-CARR
13	116-2967	1	Hose-Vent, Formed	24	323-14	2	Screw-HH
14	116-8365	1	Fuel Tank ASM	25	3256-22	1	Washer-Flat
14:2	103-6057	1	Fitting-Fuel, Bulkhead ●	26	3256-23	1	Washer-Plain
14:2:1	103-2784	1	O-Ring	27	3296-39	2	Nut-Lock, NI
14:2:2	3256-26	1	Washer-Flat	31	1-803035	2	Rivet-Pop
14:2:3	3220-5	1	Nut-Jam	34	116-4037-03	1	Bracket-Shield, Tank
14:3	46-6560	1	Bushing	35	110-0824	1	R-Clamp

● Use Pro-Lock, Nut Type (P/N 1-840022, .5ml tube) on threads.

■ Use Pro-Lock retaining type, Part no. 1-840023 (.5cc tube) on threads.

# Electrical System Assembly



## Electrical System Assembly (continued)

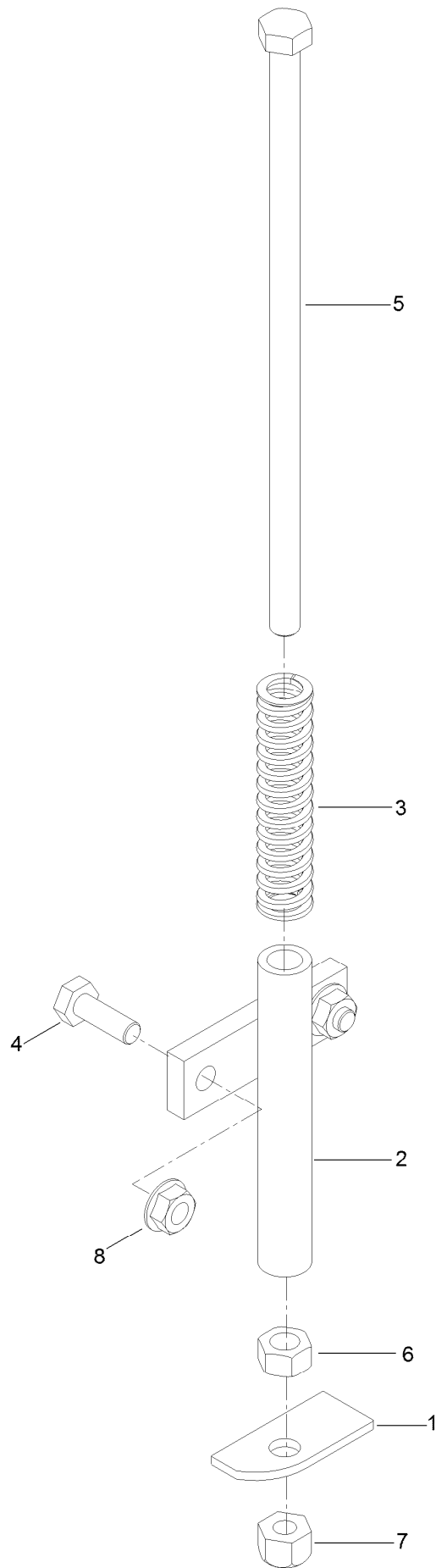
<i>Ref.</i>	<i>Part Number</i>	<i>Qty.</i>	<i>Description</i>	<i>Ref.</i>	<i>Part Number</i>	<i>Qty.</i>	<i>Description</i>
1	1-303287	2	Tie-Cable	21		1	Battery ●■
2	1-513051	2	Switch-Open, Normally	22	116-4730	1	Cable-Battery, Positive
3	1-513152	1	Switch-Closed, Normally	22:1	1-543393	1	Insulator-Solenoid
5	116-8812	1	Hour Meter ASM	22:2	109-2407	1	Insulator-Battery
8	1-543792	2	Wingnut	23	116-9114	1	Harness-Wiring ▲
9	1-633111	1	Switch	23:11	109355	1	Fuse-Blade, 15 Amp
10	1-633181	4	Plate-Tapped	23:12	109102	2	Fuse-Blade, 25 Amp
11	1-633651	2	Bolt-Holddown	23:14	116-0053	1	Cap-Plug
12	1-643267	1	Indicator-LED, Red	24	321-4	2	Screw-HH
13	1-643275	1	Relay	25	32128-33	2	Nut-HF
14	104-2065	1	Screw-HWH	28	3256-2	2	Washer-Flat
15	103-0205	1	Alarm-Tone, Dual	29	3290-134	8	Screw
16	137-4100	1	Switch-Ignition	32	103-8528	1	Hopper Switch Actuator ASM
18	63-8360	1	Key-Ignition			4	Tie-Plastic
19	103-4161-03	1	Hold Down-Battery	33	1-303335		
20	103-8355	1	Cable-Battery, Negative				

● Obtain locally.

■ Not serviced separately

▲ Use dielectric grease on all unsealed connectors and terminals only. Do not apply in sealed connectors.

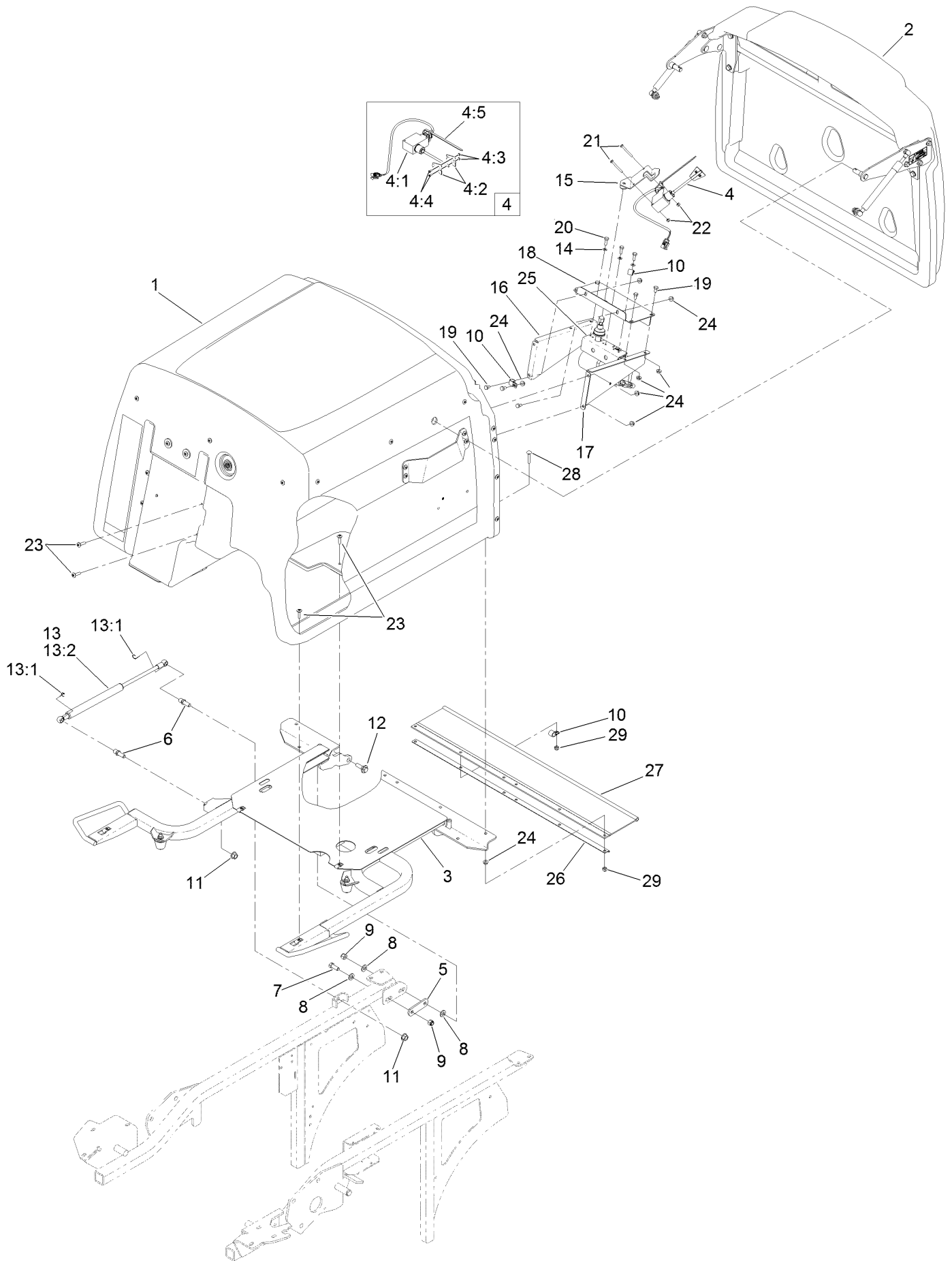
# Hopper Switch Actuator Assembly No. 103-8528



# Hopper Switch Actuator Assembly No. 103-8528 (continued)

<i>Ref.</i>	<i>Part Number</i>	<i>Qty.</i>	<i>Description</i>	<i>Ref.</i>	<i>Part Number</i>	<i>Qty.</i>	<i>Description</i>
1	126-7505	1	Plate-Switch	5	322-50	1	Screw-HH
2	1-522424-03	1	Mount-Spring, Seat	6	3217-6	1	Nut-Hex
3	1-523415	1	Spring-Switch, Seat	7	3296-29	1	Nut-Lock, NI
4	321-4	2	Screw-HH	8	32128-33	2	Nut-HF

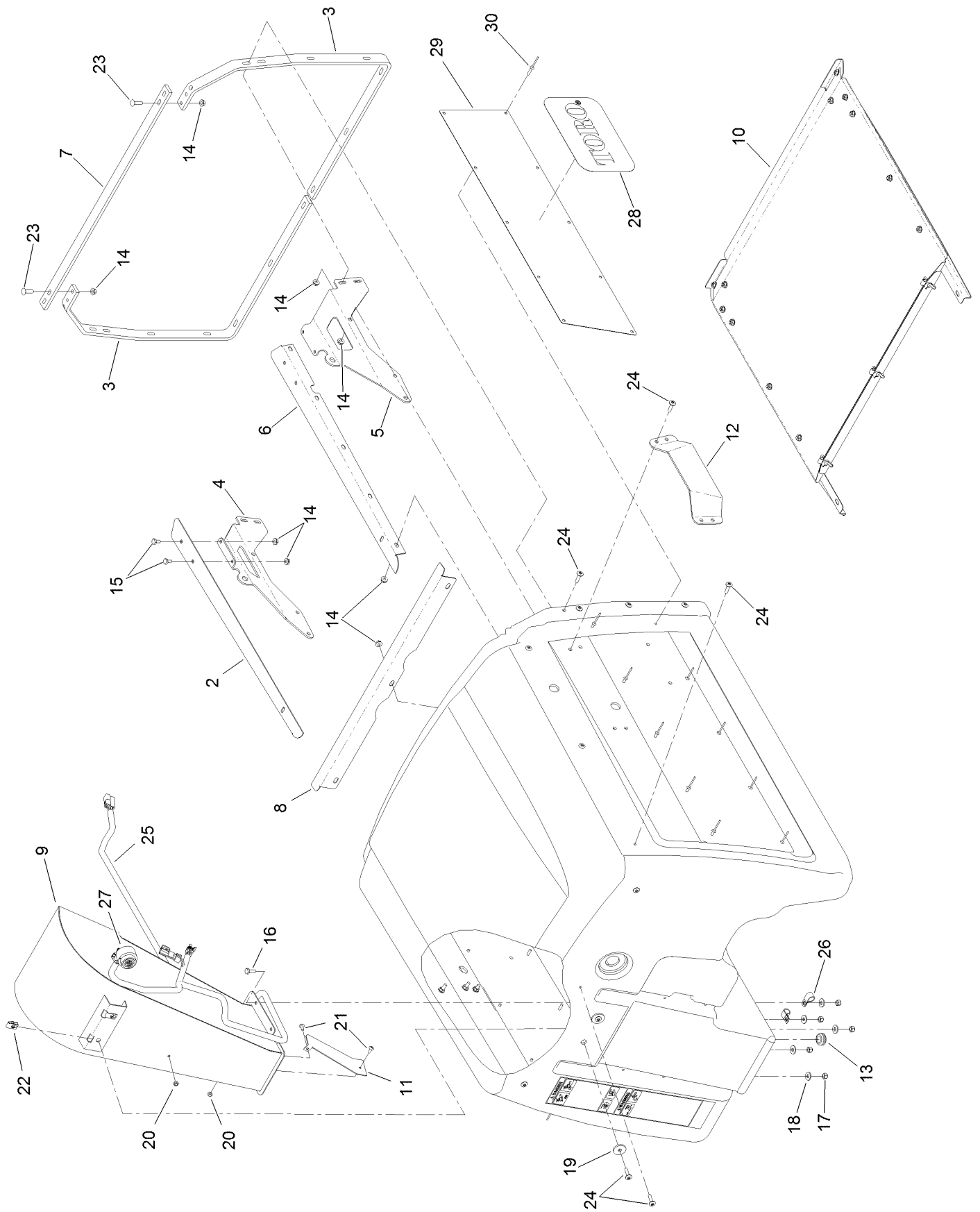
# Hopper Mounting Assembly



## Hopper Mounting Assembly (continued)

<i>Ref.</i>	<i>Part Number</i>	<i>Qty.</i>	<i>Description</i>	<i>Ref.</i>	<i>Part Number</i>	<i>Qty.</i>	<i>Description</i>
1	130-2872	1	Hopper ASM	13:1	103-8325	2	Clip-Retainer
2	130-2875	1	Hopper Door ASM	13:2	103-5425	1	Shock-Compression, Gas
3	109-4086	1	Hopper Frame ASM	14	1-303435	3	Washer-Spring
4	116-9404	1	Fill Sensor ASM	15	109-3648	1	Mount-Switch
4:1	109-3854	1	Fill Sensor Wire Kit	16	103-6067-03	1	Bracket-Drive Motor, LH
4:2	103-8789	2	Flag-Sensor, Fill	17	103-6068-03	1	Bracket-Drive Motor, RH
4:3	3296-9	2	Nut-Hex	18	103-7085-03	1	Plate-Switch
4:4	9107622	2	Screw-Pan	19	321-2	7	Screw-HH
4:5	1-303335	1	Tie-Plastic	20	329-4	3	Screw-HH
5	1-633068	2	Arm-Lift, Deck	21	3250-48	2	Screw-PPH
6	103-5426	2	Stud-Ball	22	3296-2	2	Nut-Lock, NI
7	323-6	2	Screw-HH	23	32105-32	8	Screw-TTH
8	3256-24	6	Washer-Flat	24	32128-33	17	Nut-HF
9	3296-39	4	Nut-Lock, NI	25	103-9121	1	Motor Wiring ASM
10	1-513762	3	Clip-Loom	26	103-6022-03	1	Channel-Frame, Hopper
11	33005-00	2	Nut-HF	27	103-6025	1	Deflector-Grass
12	614672	2	Screw-Shoulder, HWH	28	3229-4	6	Screw-CARR
13	109-0716	1	Damper Kit	29	104-7201	6	Nut-HF

# Hopper Assembly No. 130-2872

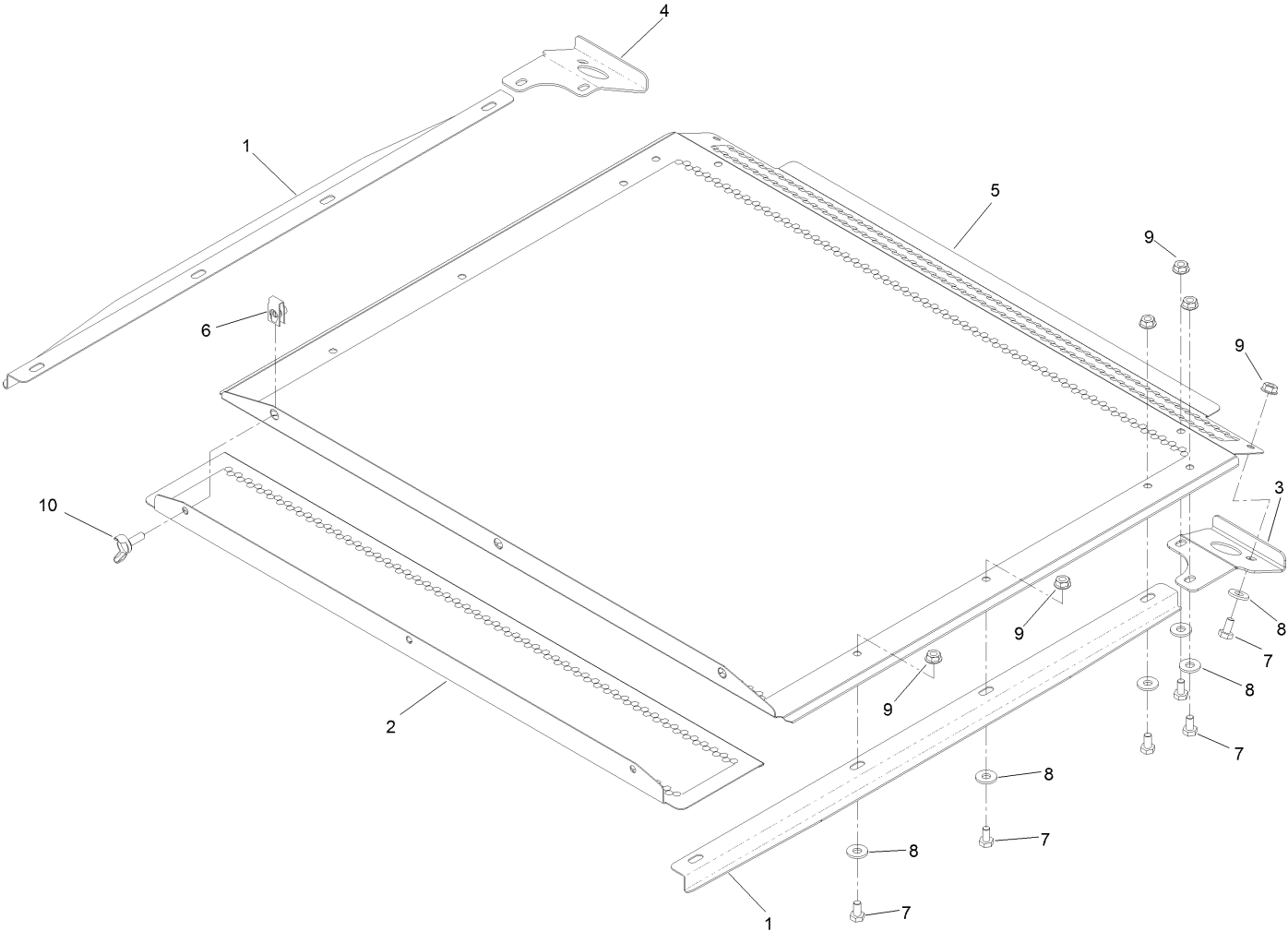




## Hopper Assembly No. 130-2872 (continued)

<i>Ref.</i>	<i>Part Number</i>	<i>Qty.</i>	<i>Description</i>	<i>Ref.</i>	<i>Part Number</i>	<i>Qty.</i>	<i>Description</i>
2	103-5736-03	1	Angle-Screen Track, RH	17	3296-42	5	Nut-Lock, NI
3	103-5045-03	2	Reinforcement-Hopper	18	3256-2	5	Washer-Flat
4	103-5751-03	1	Brace-Door Pivot, RH	19	1-613235	2	Washer
5	103-5749-03	1	Brace-Door Pivot, LH	20	3296-2	2	Nut-Lock, NI
6	103-5774-03	1	Angle-Screen Track, LH	21	32122-30	2	Screw-PTH
7	103-5772-03	1	Bracket-Frame Connect	22	107069	2	Clip
8	103-7035-03	1	Channel-Screen, Front	23	3229-2	4	Screw-CARR
9	109-3650-03	1	Diffuser	24	32105-32	27	Screw-TTH
10	109-0717	1	Hopper Screen ASM	25	103-8800	1	Harness-Wire, Hopper
11	103-8680	1	Deflector-Discharge Chute	26	1-513762	2	Clip-Loom
12	109-4019	2	Plate-Guard	27	103-0205	1	Alarm-Tone, Dual
13	1-543296	1	Grommet	28	130-2885	2	Decal
14	32128-33	33	Nut-HF	29	130-2898-03	2	Plate-Hopper, Side
15	321-2	4	Screw-HH	30	130-8451	20	Rivet-Trifold
16	321-4	5	Screw-HH				

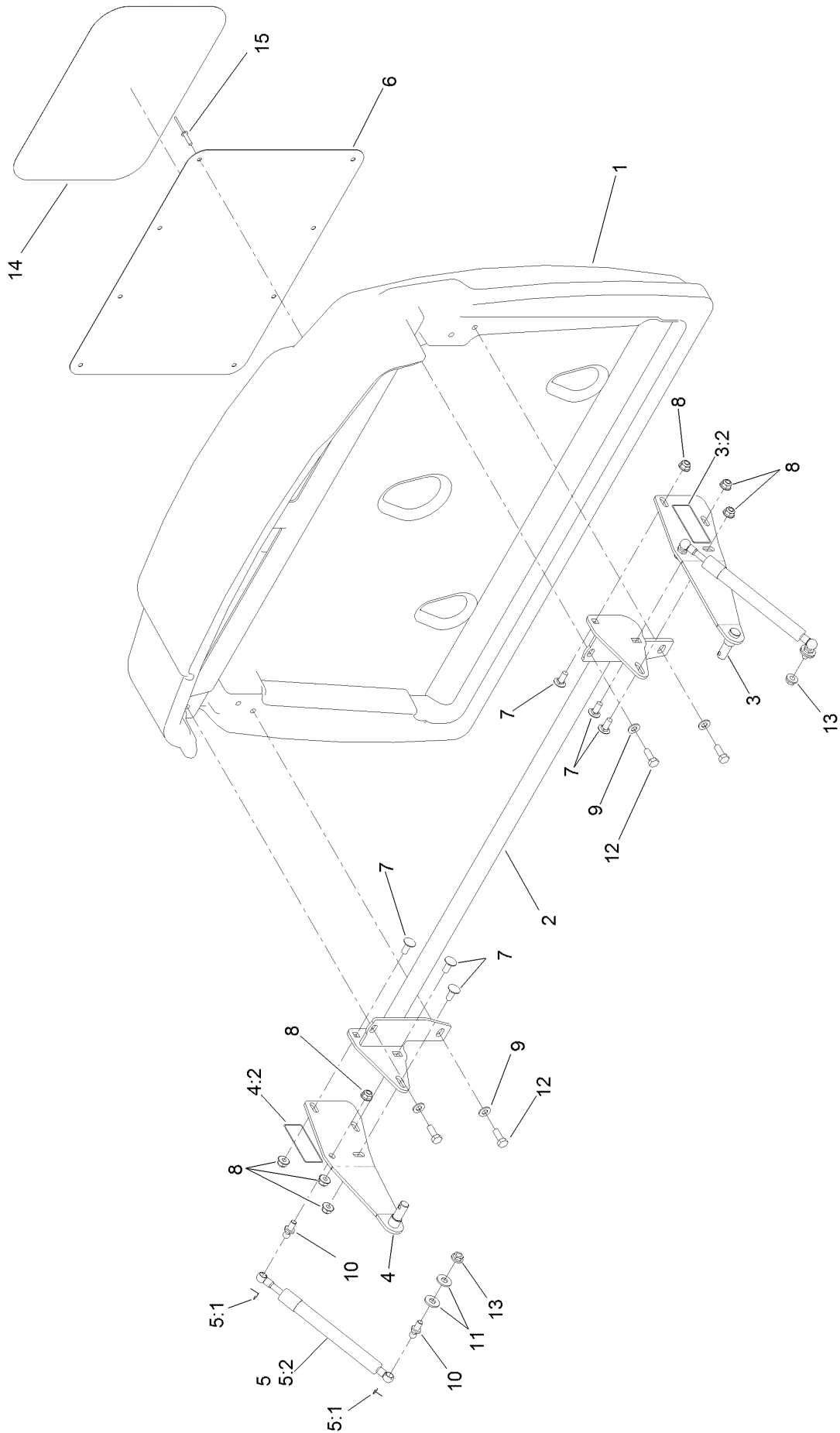
# Hopper Screen Assembly No. 109-0717



# Hopper Screen Assembly No. 109-0717 (continued)

<i>Ref.</i>	<i>Part Number</i>	<i>Qty.</i>	<i>Description</i>	<i>Ref.</i>	<i>Part Number</i>	<i>Qty.</i>	<i>Description</i>
1	103-8203-03	2	Guide-Screen	6	107069	3	Clip
2	103-7048-03	1	Panel-Screen, Removable	7	321-2	12	Screw-HH
3	103-7098-03	1	Handle-Screen, LH	8	3256-2	12	Washer-Flat
4	103-7099-03	1	Handle-Screen, RH	9	32128-33	12	Nut-HF
5	103-5745-03	1	Panel-Screen, Hopper	10	109-1063	3	Screw-Wing

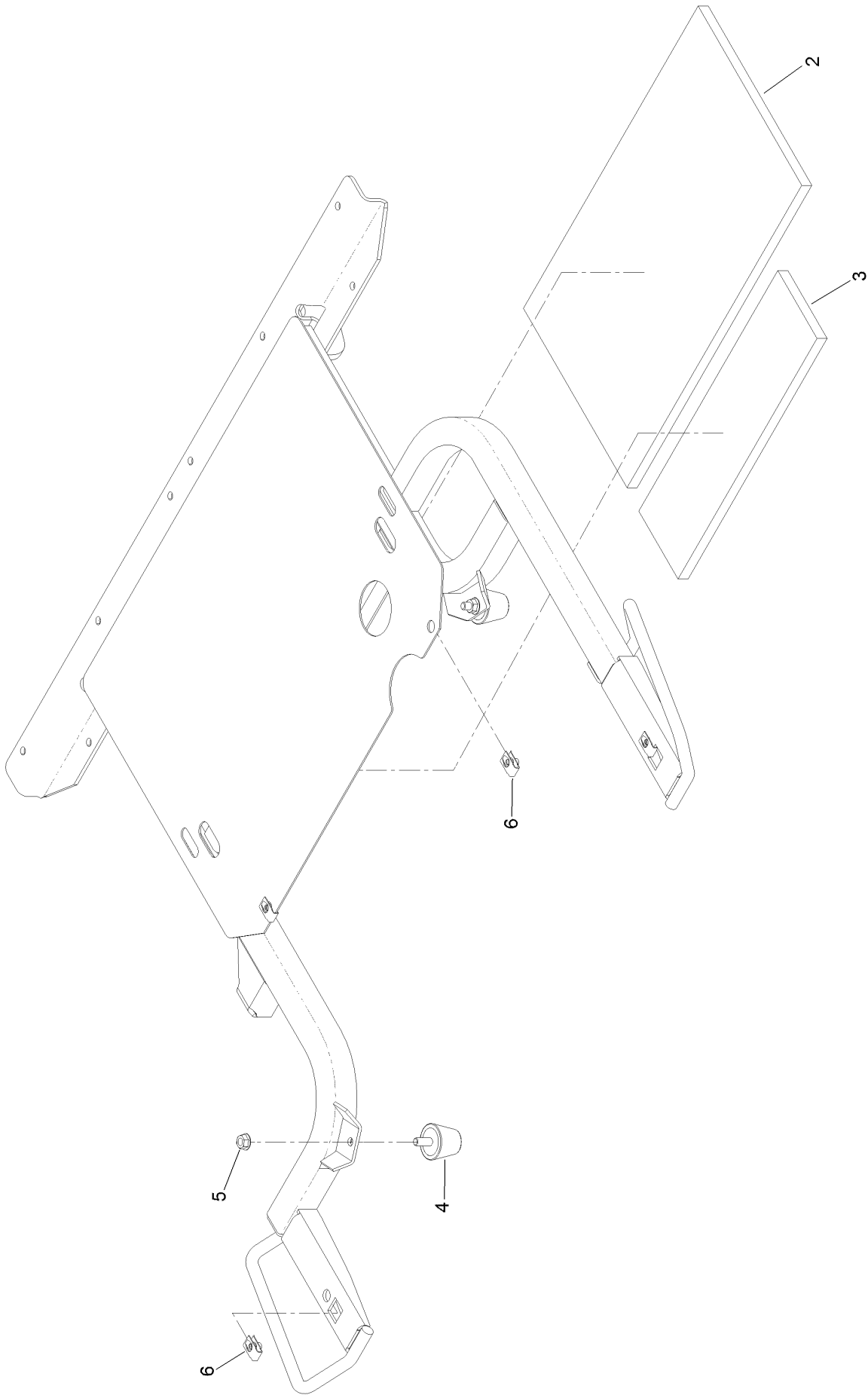
# Hopper Door Assembly No. 130-2875



## Hopper Door Assembly No. 130-2875 (continued)

<i>Ref.</i>	<i>Part Number</i>	<i>Qty.</i>	<i>Description</i>	<i>Ref.</i>	<i>Part Number</i>	<i>Qty.</i>	<i>Description</i>
1	130-2877	1	Door-Hopper	7	3230-23	6	Screw-CARR
2	109-4153-03	1	Support-Door	8	104-8300	8	Nut-HF, NI
3	109-4253	1	LH Door Pivot ASM	9	3256-23	4	Washer-Plain
3:2	120-0625	1	Decal-Warning	10	103-5752	4	Stud-Ball
4	109-4254	1	RH Door Pivot ASM	11	3256-3	4	Washer-Flat
4:2	120-0625	1	Decal-Warning	12	322-4	4	Screw-HH
5	109-0715	2	Damper Kit	13	32128-20	2	Nut-HF
5:1	103-8324	2	Clip-Retainer	14	130-2886	1	Decal
5:2	103-5746	1	Shock-Gas Tension	15	130-8451	8	Rivet-Trifold
6	130-8450-03	1	Plate-Door, Hopper				

# Hopper Frame Assembly No. 109-4086



# Hopper Frame Assembly No. 109-4086 (continued)

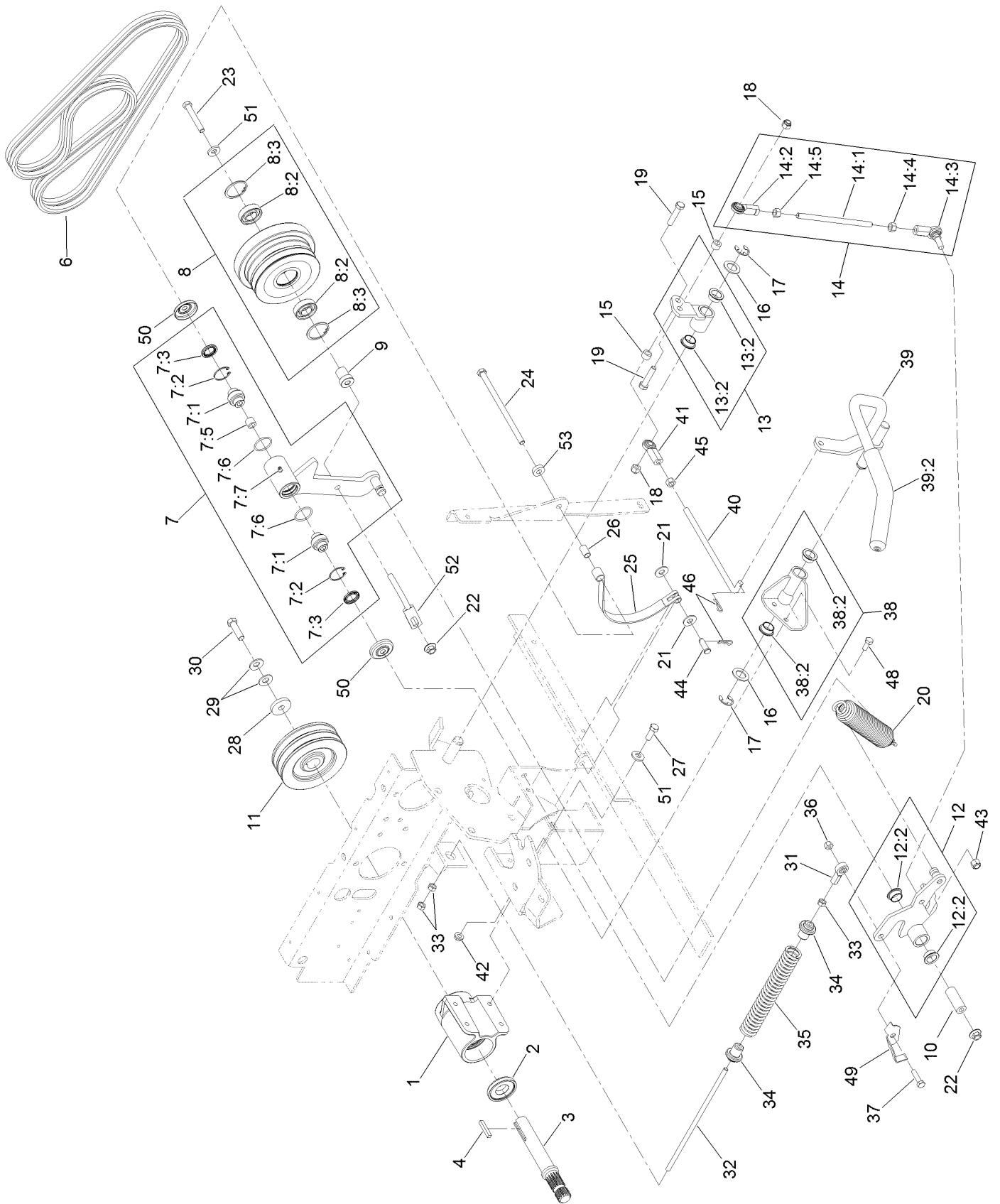
---

<i>Ref.</i>	<i>Part Number</i>	<i>Qty.</i>	<i>Description</i>
2	103-7824	1	Insulation-Foam Pad, Rear
3	103-7825	1	Insulation-Foam Pad, Front
4	1-543963	2	Bumper-Rubber

---

<i>Ref.</i>	<i>Part Number</i>	<i>Qty.</i>	<i>Description</i>
5	32128-20	2	Nut-HF
6	107069	4	Clip

# Drive Assembly

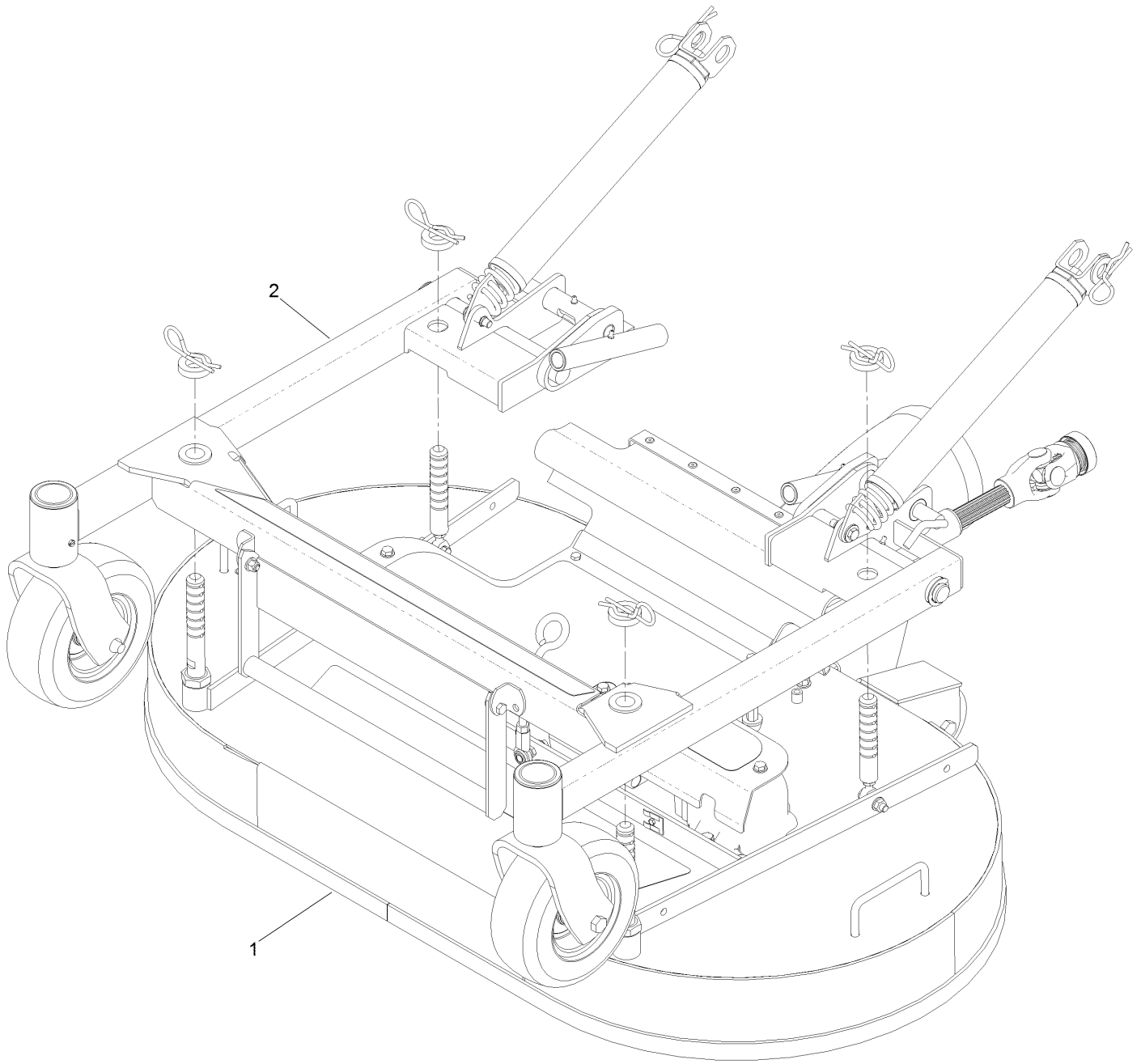




## Drive Assembly (continued)

<i>Ref.</i>	<i>Part Number</i>	<i>Qty.</i>	<i>Description</i>	<i>Ref.</i>	<i>Part Number</i>	<i>Qty.</i>	<i>Description</i>
1	103-2544	1	Jackshaft ASM	21	3256-4	2	Washer-Flat
2	103-2535	1	Spacer-Guard, Bottom	22	32128-19	2	Nut-HF Lock, Large Flg
3	103-6735	1	Jackshaft	23	323-12	1	Screw-HH
4	67-7490	1	Key-Square	24	323-36	1	Screw-HH
6	130-2870	1	Belts-Pair, Matched	25	103-7697	1	Band-Brake
7	103-8253	1	Idler Pivot ASM	26	103-9816	1	Spacer
7:1	103-3504	2	Bearing-Spherical	27	323-6	4	Screw-HH
7:2	32120-10	2	Ring-Snap	28	1-543610	1	Washer-Clutch
7:3	103-3506	2	Seal-Lip, Single	29	1-603610	2	Washer-Spring
7:5	1-413088	1	Bushing-Lever, Lift	30	3212-6	1	Screw-HH
7:6	106-7159	2	O-Ring	31	1-543017	1	Balljoint-RH
7:7	302-19	1	Fitting-Grease	32	103-7996	1	Linkage-Rod, PTO Brake
8	103-9439	1	Idler Sheave ASM	33	3219-2	3	Nut-Hex
8:2	251-347	2	Bearing-Ball	34	103-8254	2	Bushing-Spring
8:3	32151-13	2	Ring-Retaining	35	103-7997	1	Spring-Brake
9	103-7350	1	Spacer-Idler	36	3296-29	1	Nut-Lock, NI
10	103-7382	1	Bushing	37	322-6	1	Screw-HH
11	103-6732	1	Sheave	38	103-9295	1	Pivot ASM
12	103-9296	1	Arm ASM	38:2	108519	2	Bushing-Bronze
12:2	108519	2	Bushing-Bronze	39	103-9486	1	PTO Handle ASM
13	103-9297	1	Arm ASM	39:2	103-8153	1	Grip-Lever, Control
13:2	108519	2	Bushing-Bronze	40	103-8277	1	Link-Handle
14	103-7392	1	Clutch Link ASM	41	103-0608	1	Joint-Ball, End
14:1	103-7393	1	Rod-Linkage	42	32128-20	2	Nut-HF
14:2	103-1167	1	Joint-Ball End, LH	43	3296-6	1	Nut-Lock
14:3	103-7994	1	Balljoint-RH	44	283-2	1	Pin-Clevis
14:4	3219-3	1	Nut-Hex	45	3219-3	1	Nut-Hex
14:5	3219-20	1	Nut-Hex, LH	46	1-806003	2	Pin-Cotter
15	92-9025	2	Spacer	48	322-3	2	Screw-HH
16	1-303007	2	Washer	49	103-8716-03	1	Switch-Flag
17	32151-48	2	E-Ring	50	103-2916	2	Guard-Top
18	3296-39	2	Nut-Lock, NI	51	98-5975	5	Washer-Belleville
19	323-9	2	Screw-HH	52	109-5491	1	Guide-Belt
20	109-0148	1	Spring-Extension	53	5-0652	1	Spacer

# Deck Mounting Assembly



## Deck Mounting Assembly (continued)

<i>Ref.</i>	<i>Part Number</i>	<i>Qty.</i>	<i>Description</i>
1		1	Deck-Cutting 48 ●
2	142-2999	1	Frame-Deck Support 48

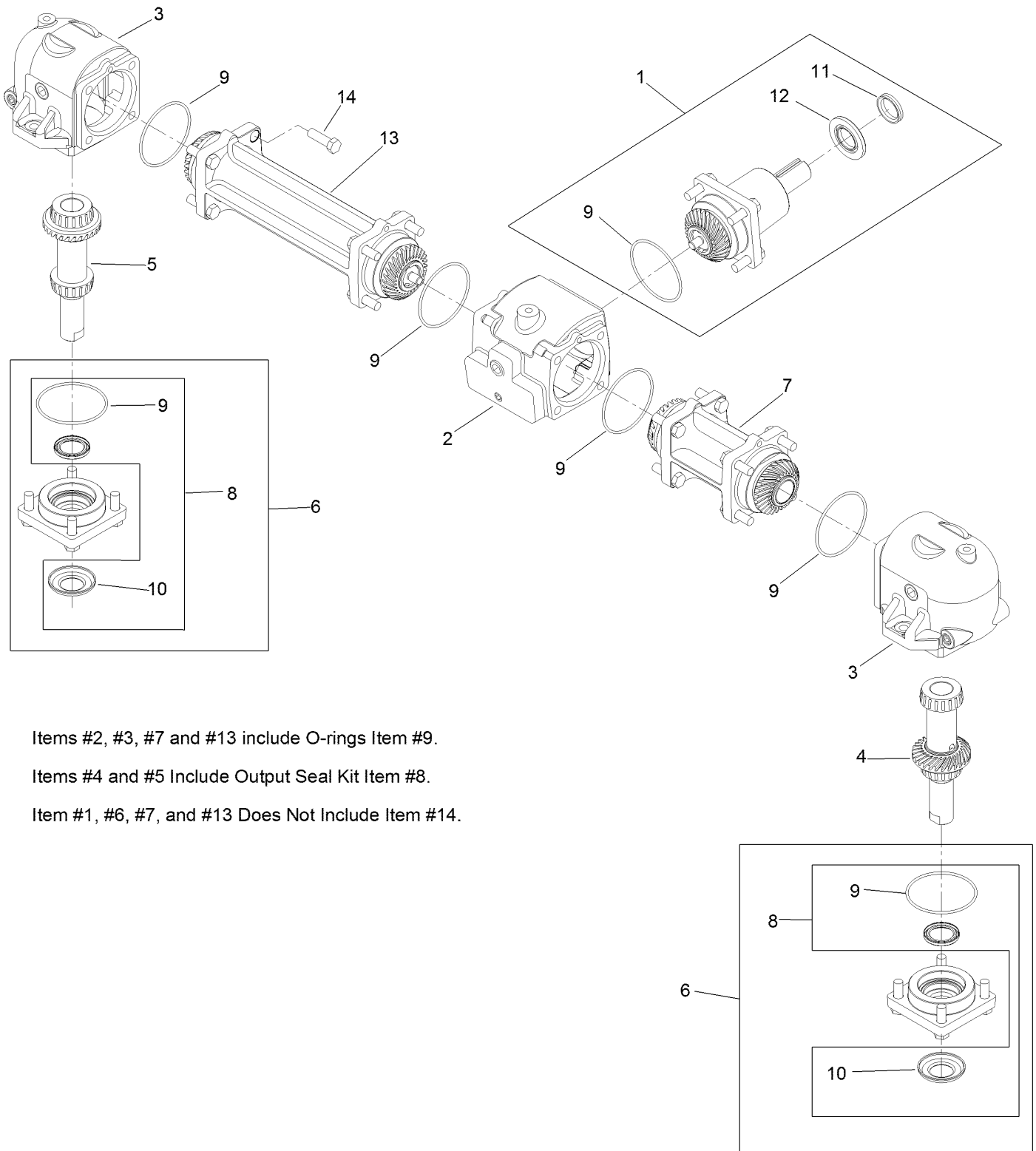
● Not serviced separately



## Deck Assembly (continued)

<i>Ref.</i>	<i>Part Number</i>	<i>Qty.</i>	<i>Description</i>	<i>Ref.</i>	<i>Part Number</i>	<i>Qty.</i>	<i>Description</i>
1	1-513690	1	Clip-Deck, Hold Up Rod	29	130-2887	1	Decal
2	1-523420	2	Bumper	30	130-2899	1	Gearbox Cover ASM
3	1-803075	3	Screw-Head, Truss	30:2	103-8629	1	Pad-Anti Skid
4	30-8770	2	Washer	30:3	119-0217	1	Decal-Danger
5	67-7490	1	Key-Square	31	133-1870-01	1	Guard-PTO, Front
6	75-3960	1	Spring-Torsion, LH (Yellow)	32	133-1871-01	1	Guard-PTO
7	75-3970	2	Spring-Torsion, RH	33	133-1877	1	PTO Guard ASM
8	92-5816	2	Bolt-Blade	33:2	133-1883	1	Flap-Rubber
9	99-0283	4	Bolt-Shear	33:3	1-803035	6	Rivet-Pop
10	103-3387	1	Gear Box ASM	34	136-1660-03	1	Plate-Guard
11	103-3700	2	Roller-Deck	35	136-1661-03	1	Mount-Guard
12	103-4230	2	Spacer-Roller	36	142-2475	2	Latch - Deck
13	103-5979	1	Guard-PTO	37	142-2922	1	Deck-Cutting 48 W/Decals
14	103-6290-03	1	Strap-Drive, Line Cover	38	321-2	2	Screw-HH
15	103-7705	2	Driver-Blade	39	322-3	3	Screw-HH
16	103-8363	1	Deck Latch ASM	40	322-5	3	Screw-HH
16:1	103-7994	1	Balljoint-RH	41	322-7	2	Screw-HH
16:2	103-8307	1	Latch-Deck	42	323-7	4	Screw-HH
16:3	3219-3	1	Nut-Hex	43	323-9	1	Screw-HH
16:4	3296-6	1	Nut-Lock	44	325-14	2	Screw-HH
17	103-8610	2	Stand-Off	45	3230-23	2	Screw-CARR
18	103-8841	1	Spring-Extension	46	3247-2	1	Screw-Set, HSH
19	103-9485	1	Drive Shaft ASM	47	3256-14	5	Washer-Flat
20	103-9487	1	Discharge Tube ASM	48	3256-23	3	Washer-Plain
21	104-8300	4	Nut-HF, NI	49	3256-3	2	Washer-Flat
22	108-9087	2	Collar-Basket	50	3256-60	6	Washer-Flat
23	109-0321	2	Front Deck Height Adjust ASM	51	3290-134	1	Screw
23:1	1-413425	1	Spacer-Deck Support	52	3290-357	4	Nut-HHF, Whiz
23:2	103-7353	1	Pin-Cut Height	53	3296-2	6	Nut-Lock, NI
23:3	103-8496	1	Nut-Jam	54	3296-29	3	Nut-Lock, NI
24	109-0323	2	Rear Deck Height Adjust ASM	55	3296-39	1	Nut-Lock, NI
25	110-4068	2	Washer-Plastic	56	3296-42	4	Nut-Lock, NI
26	120-4654	6	Screw-HHF	57	32115-15	6	Nut-Push
27	130-2861	1	Blade-25In, LH	58	32128-49	2	Nut-HHF
28	130-2862	1	Blade-25In, RH	59	107069	6	Clip
				60	114439	5	Rivet-Blind

# Gearbox Assembly No. 103-3387



Items #2, #3, #7 and #13 include O-rings Item #9.

Items #4 and #5 Include Output Seal Kit Item #8.

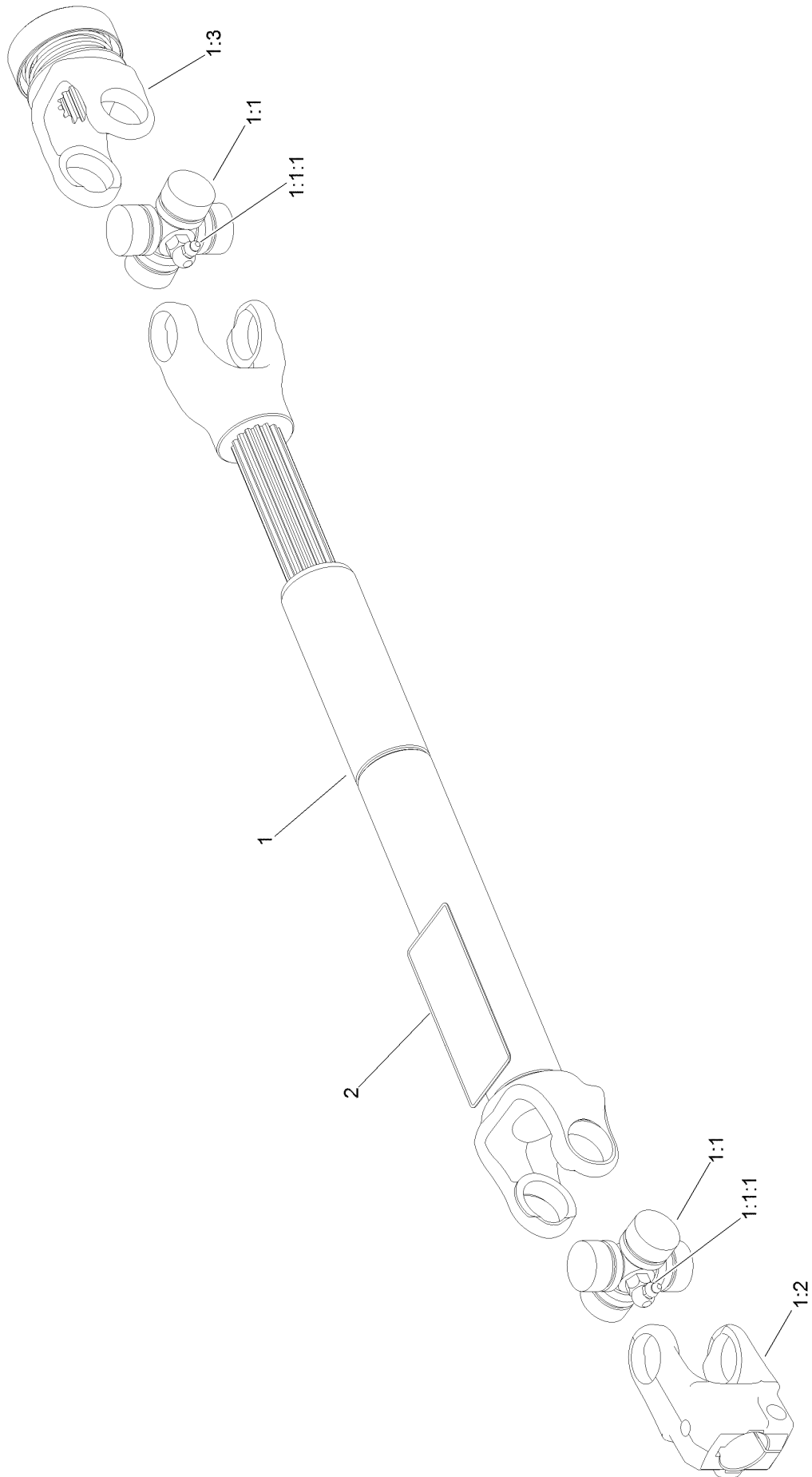
Item #1, #6, #7, and #13 Does Not Include Item #14.

## Gearbox Assembly No. 103-3387 (continued)

<i>Ref.</i>	<i>Part Number</i>	<i>Qty.</i>	<i>Description</i>	<i>Ref.</i>	<i>Part Number</i>	<i>Qty.</i>	<i>Description</i>
1	109-0189	1	Pinion-Input	8	109-0201	1	Output Seal Kit
2	109-0190	1	Housing-Center	9	109-0203	1	Seal-O-Ring
3	109-0191	1	Housing-End	10	109-0204	1	Washer-Cupped
4	109-0193	1	Output Shaft And Gear-LH	11	109-0205	1	Seal-V-Ring ●
5	109-0195	1	Output Shaft And Gear-RH	12	109-0202	1	Seal-Input ●
6	109-0196	1	Cap-Output	13	109-0200	1	Connector-Tube, Long
7	109-0198	1	Tube-Connector, Shor	14	93-3987	28	Bolt-Blade

● Apply bead of Mobil HTS grease (P/N 103-5217 1.5 oz packet) (or a food-grade anti-seize) between input seal and v-ring.

# Drive Shaft Assembly No. 103-9485



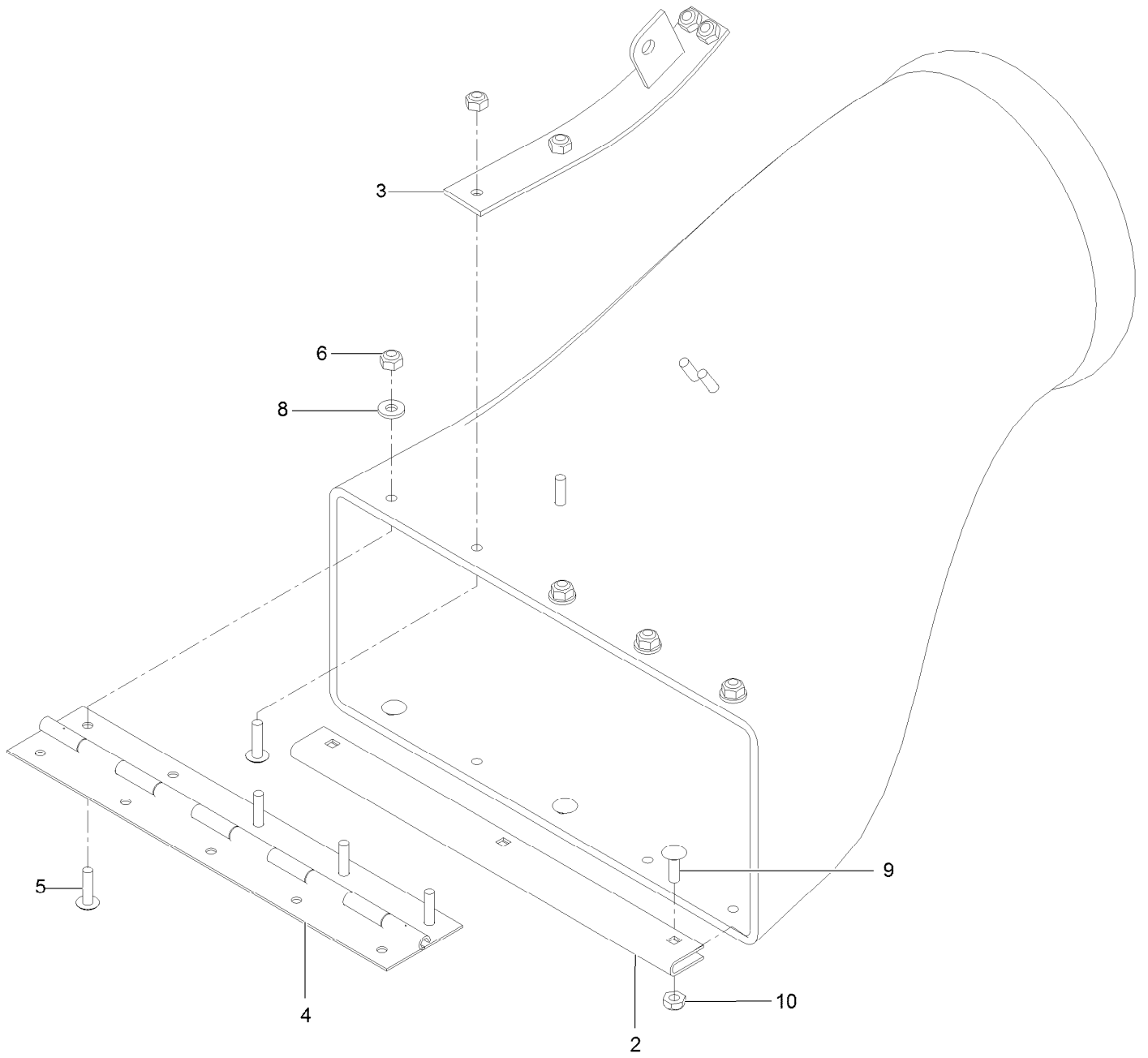


## Drive Shaft Assembly No. 103-9485 (continued)

<i>Ref.</i>	<i>Part Number</i>	<i>Qty.</i>	<i>Description</i>	<i>Ref.</i>	<i>Part Number</i>	<i>Qty.</i>	<i>Description</i>
1		1	Drive Shaft-Telescoping ●	1:2	103-9328	1	Yoke-Keyed
1:1	54-9180	2	U-Joint Kit	1:3	103-9329	1	Yoke-Quick Disconnect
1:1:1	62-3820	1	Fitting-Grease	2	116-9049	1	Decal-Danger, Driveline

● Not serviced separately

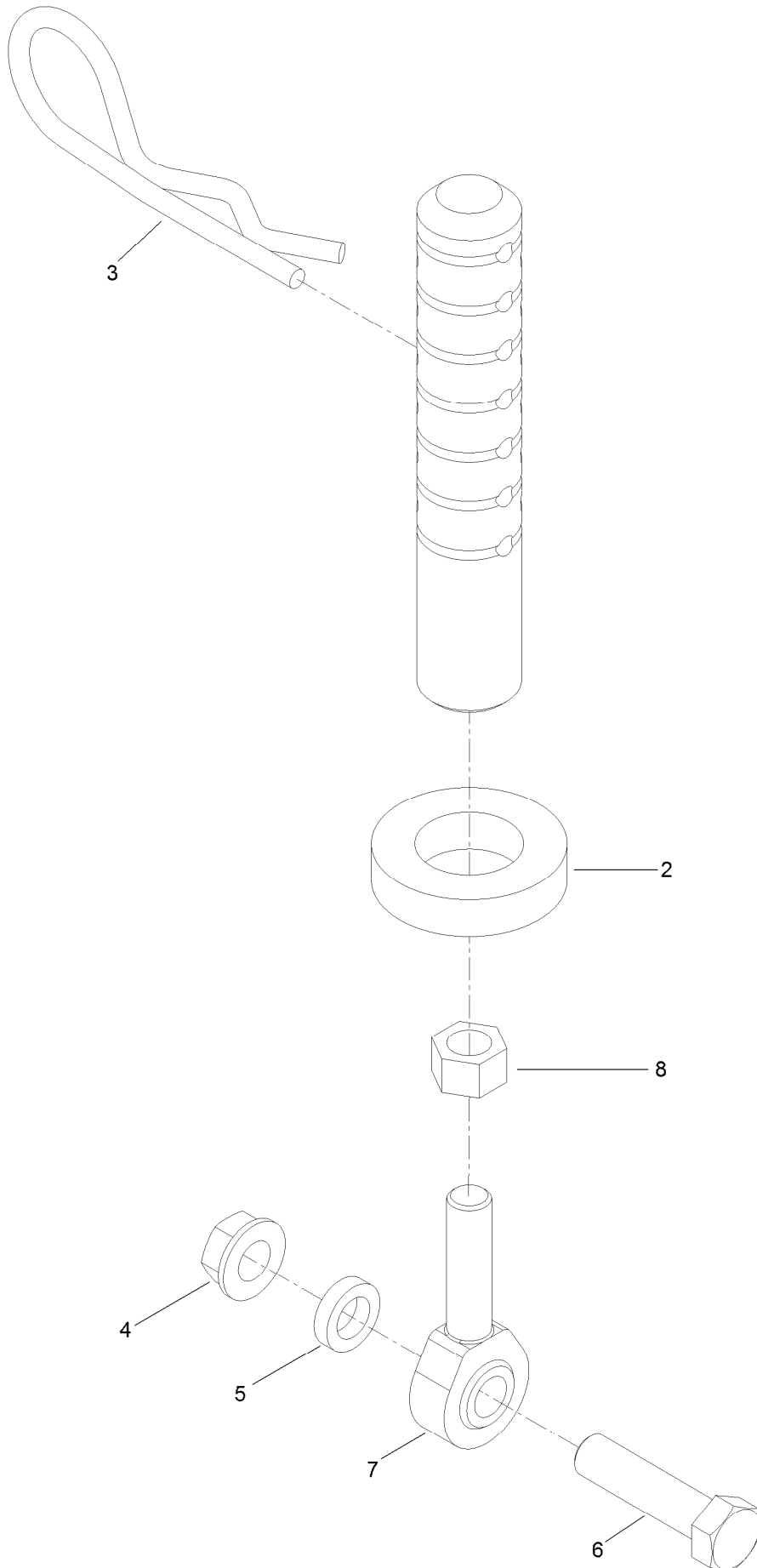
# Discharge Tube Assembly



## Discharge Tube Assembly (continued)

<i>Ref.</i>	<i>Part Number</i>	<i>Qty.</i>	<i>Description</i>	<i>Ref.</i>	<i>Part Number</i>	<i>Qty.</i>	<i>Description</i>
2	109-2228-03	1	Guard-Plenum	6	3296-2	8	Nut-Lock, NI
3	103-5868-01	1	Mount-Spring	8	3256-14	4	Washer-Flat
4	139-4460	1	Hinge-Piano	9	1-807533	3	Bolt-CARR
5	1-803075	8	Screw-Head, Truss	10	3296-12	3	Nut-Lock, NI

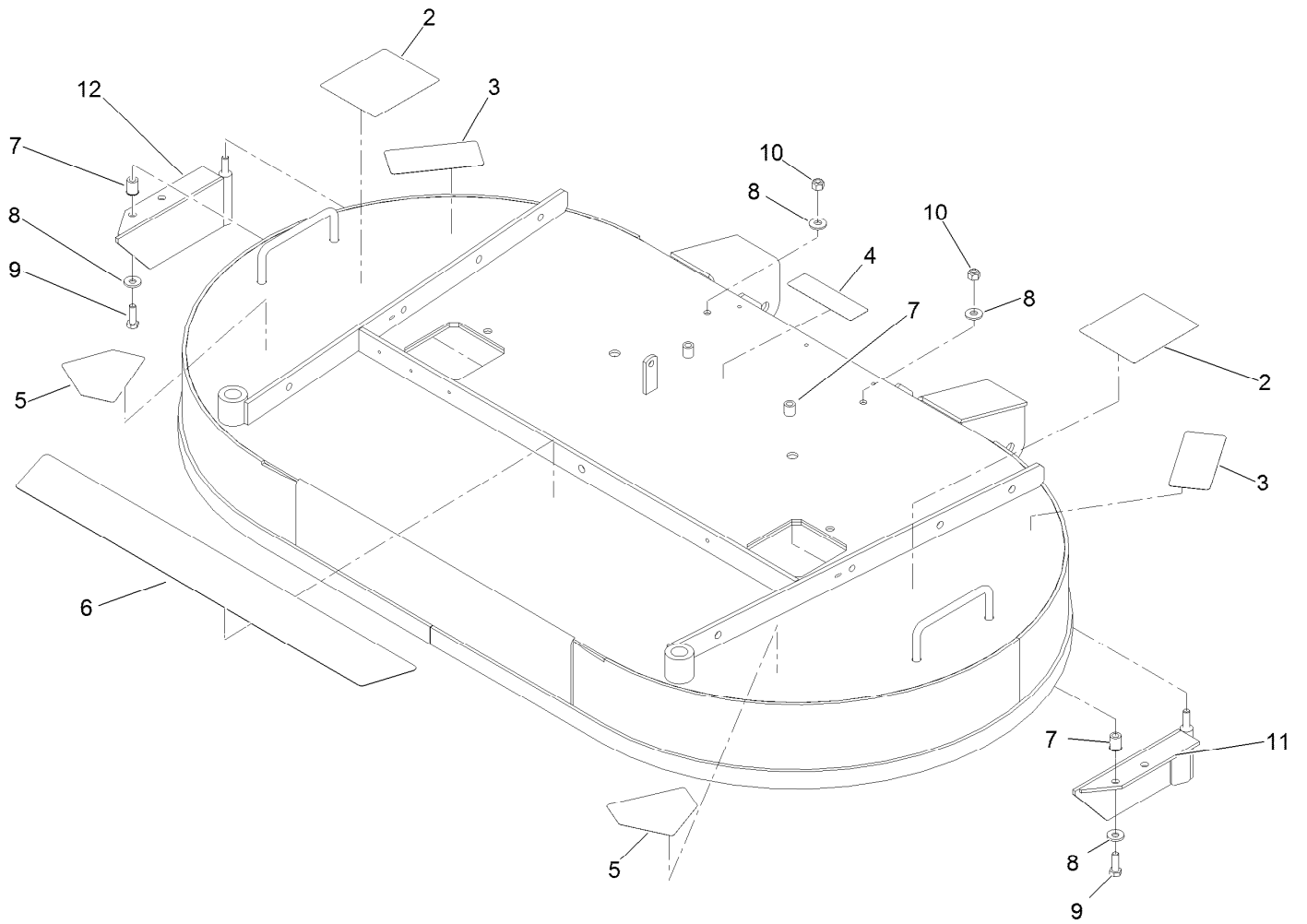
# Rear Deck Height Adjustment Assembly No. 109-0323



# Rear Deck Height Adjustment Assembly No. 109-0323 (continued)

<i>Ref.</i>	<i>Part Number</i>	<i>Qty.</i>	<i>Description</i>	<i>Ref.</i>	<i>Part Number</i>	<i>Qty.</i>	<i>Description</i>
2	1-413425	1	Spacer-Deck Support	6	323-8	1	Screw-HH
3	103-7353	1	Pin-Cut Height	7	1-613204	1	Balljoint
4	3290-357	1	Nut-HHF, Whiz	8	3220-3	1	Nut-HJ
5	106-5597	1	Spacer-Idler				

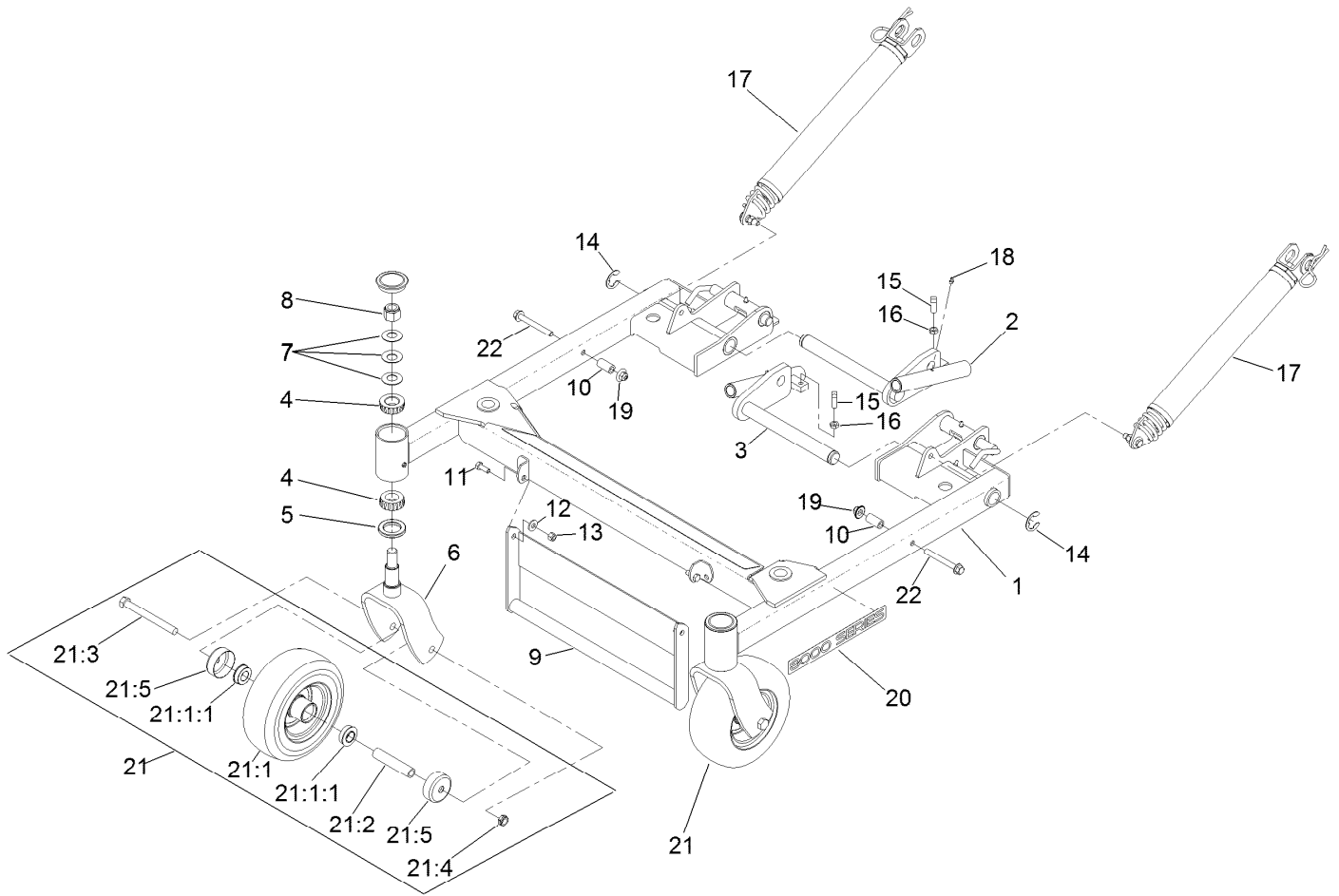
# Deck Decal Assembly No. 142-2922



## Deck Decal Assembly No. 142-2922 (continued)

<i>Ref.</i>	<i>Part Number</i>	<i>Qty.</i>	<i>Description</i>	<i>Ref.</i>	<i>Part Number</i>	<i>Qty.</i>	<i>Description</i>
2	116-8934	2	Decal-Height Adjust, Cutting	8	1-303334	4	Washer-Spring Disc 5/16
3	93-7818	2	Decal-Torque, Blade Bolt	9	322-5	2	Screw-HH 5/16-18 X 1
4	112-9028	1	Decal-Cover, Missing	10	3296-29	2	Nut-Nyloc 5/16-18
5	112-8760	2	Decal-Danger	11	109-4053-01	1	Baffle-LH
6	103-8630	1	Pad-Anti Skid	12	109-4054-01	1	Baffle-RH
7	32148-7	4	Nut-Clinch				

# Deck Support Frame Assembly No. 142-2999

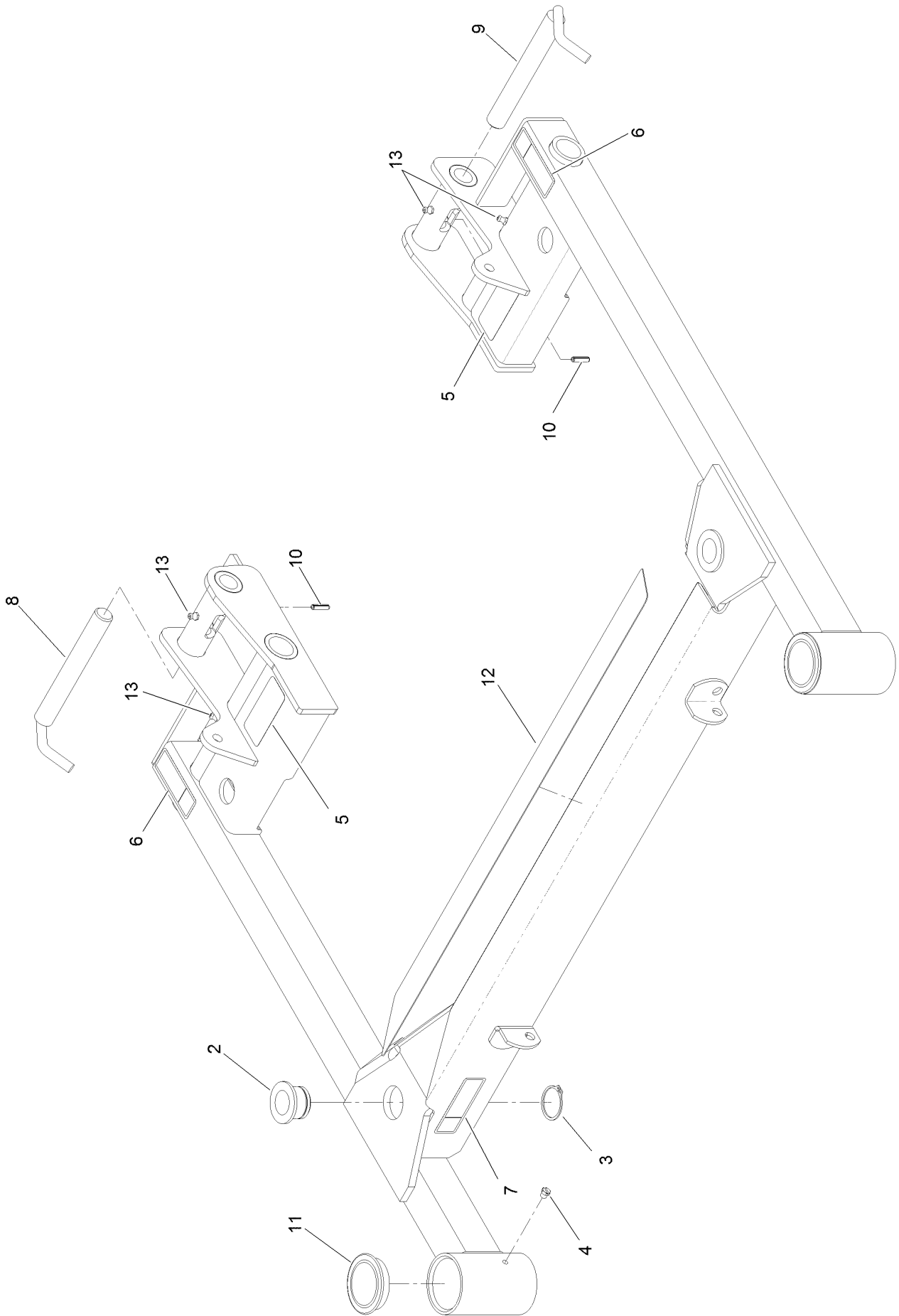




# Deck Support Frame Assembly No. 142-2999 (continued)

<i>Ref.</i>	<i>Part Number</i>	<i>Qty.</i>	<i>Description</i>	<i>Ref.</i>	<i>Part Number</i>	<i>Qty.</i>	<i>Description</i>
1	142-2914	1	Frame-Deck Support W/Decals	15	3243-5	2	Screw-Set, SQH
2	103-3729-01	1	Pivot-Deck, RH	16	3218-3	2	Nut-Jam
3	103-3732-01	1	Pivot-Deck, LH	17	116-7851	2	Lift Assist Spring ASM
4	1-543509	4	Bearing-Roller, Tapered	18	302-19	2	Fitting-Grease
5	1-543511	2	Seal-Grease	19	109-6658	2	Nut-Flange, NI
6	109-1933-01	2	Fork-Caster	20	130-2884	2	Decal
7	1-633508	6	Washer-Bellville	21	135-5967	2	Wheel And Axle ASM
8	3296-51	2	Nut-Lock, NI	21:1	135-5964	1	Wheel And Tire ASM
9	103-4225-01	1	Handle-Lift	21:1:1	135-5963	2	Bearing-Ball
10	108-6544	2	Spacer	21:2	109-2094	1	Spacer-Caster, Front
11	322-4	2	Screw-HH	21:3	325-19	1	Screw-HH
12	1-303334	2	Washer-Spring	21:4	3296-45	1	Nut-Hex
13	3296-29	2	Nut-Lock, NI	21:5	103-2768	2	Guard-Seal
14	1-808519	2	Ring-Snap	22	3234-41	2	Screw-HHF

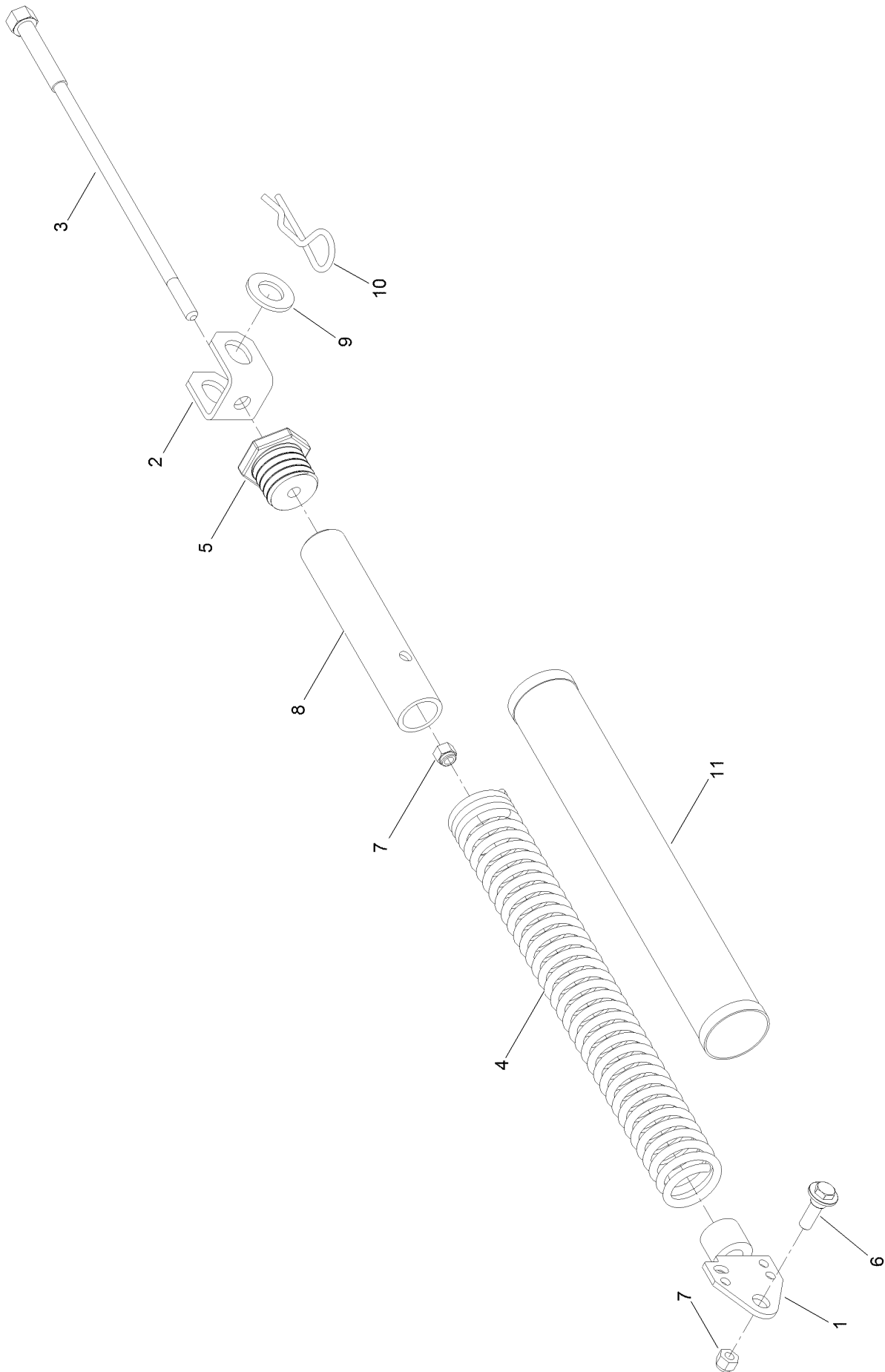
# Deck Support W/Decals Assembly No. 142-2914



# Deck Support W/Decals Assembly No. 142-2914 (continued)

<i>Ref.</i>	<i>Part Number</i>	<i>Qty.</i>	<i>Description</i>	<i>Ref.</i>	<i>Part Number</i>	<i>Qty.</i>	<i>Description</i>
2	103-7436	2	Bushing-Support, Deck	8	103-4119	1	Lock-Deck, RH
3	32120-33	2	Ring-Retaining	9	103-4118	1	Lock-Deck, LH
4	1-811010	2	Plug	10	32121-3	2	Pin-Spring
5	93-6696	2	Decal-Warning	11	103-4882	2	Cap-Grease
6	116-8935	2	Decal-Warning, Folding Deck	12	103-8630	1	Pad-Anti Skid
7	116-8936	1	Decal-Danger	13	302-19	4	Fitting-Grease

# Spring Lift Assist Assembly No. 116-7851



## Spring Lift Assist Assembly No. 116-7851 (continued)

<i>Ref.</i>	<i>Part Number</i>	<i>Qty.</i>	<i>Description</i>	<i>Ref.</i>	<i>Part Number</i>	<i>Qty.</i>	<i>Description</i>
1	103-4284	1	Tensioner-Spring	7	3296-39	2	Nut-Lock, NI
2	103-4285	1	Mount-Lift Assist, Deck	8	103-7865	1	Spring-Tube
3	103-3773	1	Shaft-Adjustment, Spring	9	3256-28	1	Washer-Flat
4	103-4281	1	Spring-Extension	10	103-7353	1	Pin-Cut Height
5	103-3772	1	Plug-Adjuster, Spring	11	103-7971	1	Cover-Spring, Deck
6	614672	1	Screw-Shoulder, HWH				

# Attachments and Accessories

## For 74311TE Z Master 8000 Series Riding Mower with 122cm Cutting Unit

<b>Product Name</b>	<b>Model/Part</b>
Hypr-Oil 500 (quart) .....	114-4713
Hypr-Oil 500 (gallon).....	114-4714
Hypr-Oil 500-5 (5 gallon).....	114-4715
ROPS Pin Kit .....	126-1339
ROPS Kit .....	130-8459
48in Mulch Kit .....	130-8463
25in LH Mulching Blade .....	130-8464
25in DH Mulching Blade .....	130-8465
MVP Kit.....	130-8468
Hopper Latch Kit.....	130-8488

**Notes:**



**Count on it.**