



Count on it.

Parts Catalog

**Z Master® 8000 Series Riding
Mower**

with 122cm Cutting Unit

Model No. 74311TE—Serial No. 40000000 and Up



Ordering Replacement Parts

To order replacement parts, please supply the part number, the quantity, and the description of each part desired.

Understanding Reference Numbers

Each identified part in an illustration has a reference number. The reference number for a part also appears in the parts list, along with other information about the part.

This catalog uses two special reference number formats, one to indicate parts in a service assembly and another to indicate the quantity of a given part in an illustration.

Service Assembly Reference Numbers

Parts in service assemblies have reference numbers in the form a:b. The a represents the reference number of the entire service assembly and the b represents a sequential number unique to each part within the service assembly.

For example, a wheel assembly might be identified by reference number 6, the tire by 6:1, the valve by 6:2, and the wheel by 6:3. When you order the assembly identified by reference number 6, you receive all parts identified by reference numbers 6:1, 6:2, and 6:3. However, you may also order any part individually. Reference numbers of this type appear in illustration and in parts lists.

Reference Numbers Indicating Quantity

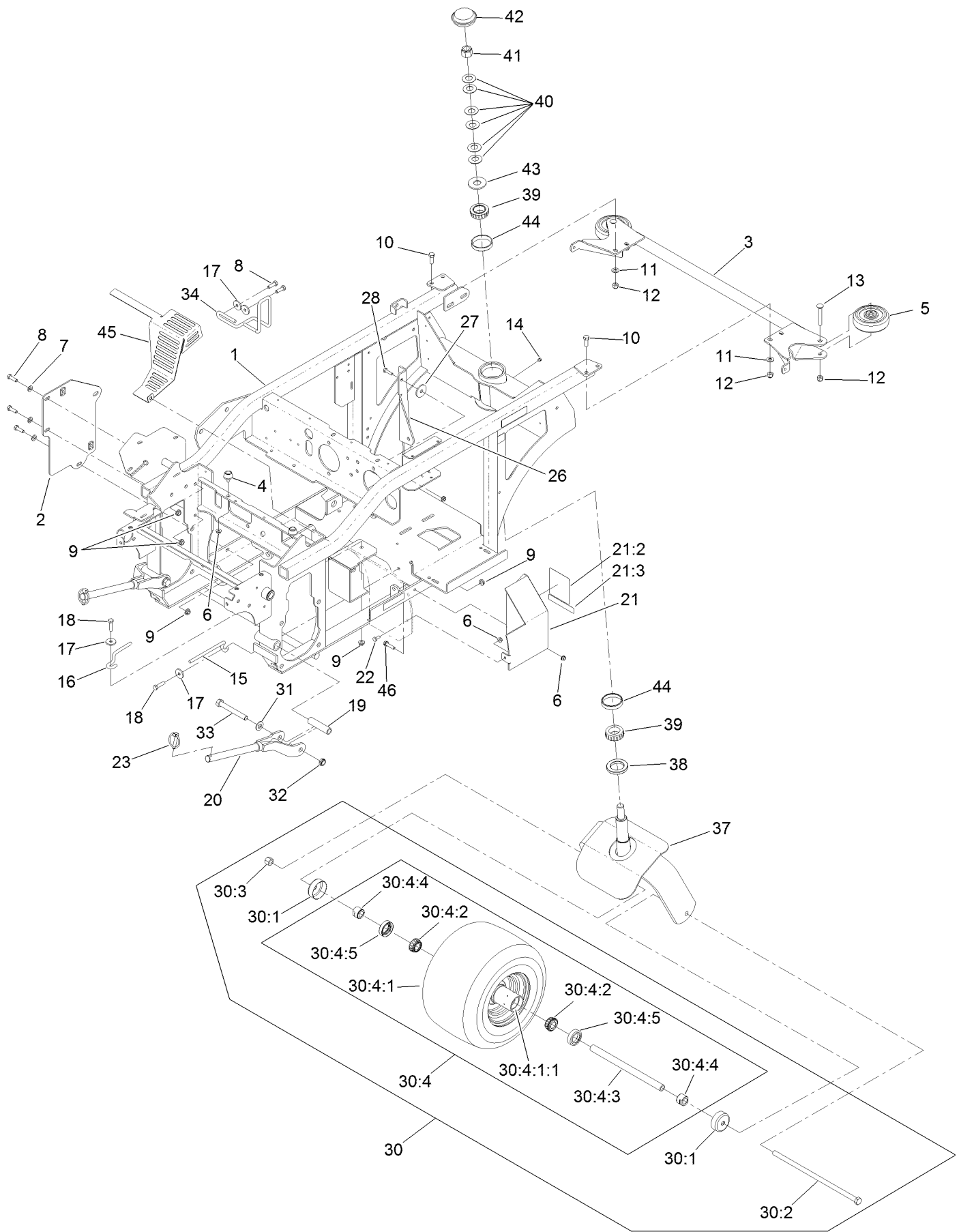
In an illustration, if a reference number indicates more than one part, the reference number has the form nX y. The n represents the quantity of the part, the X is the multiplication symbol, and the y represents the reference number.

For example, in an illustration, the reference number 2X 37 means that two of the parts identified by reference number 37 are indicated.

Contents

Caster Wheel and Frame Assembly	4
Frame and Decal Assembly No. 116-7482	6
Pump and Muffler Guard Assembly	8
Roll-Over Protection System Assembly No. 78559	10
Speed and Steering Control Assembly	12
Parking Brake Assembly	14
Seat and Console Assembly	16
Hydraulic Assembly	18
Hydraulic Pump Assembly No. 116-7836	20
Idler Assembly No. 103-7349	22
PTO Guard Assembly	24
Blower Mounting Assembly	26
Blower Assembly No. 116-9649	28
Engine, Muffler and Air Cleaner Assembly	30
Fuel Assembly	32
Electrical System Assembly	34
Hopper Switch Actuator Assembly No. 103-8528	36
Hopper Mounting Assembly	38
Hopper Assembly No. 130-2872	40
Hopper Screen Assembly No. 109-0717	42
Hopper Door Assembly No. 130-2875	44
Hopper Frame Assembly No. 109-4086	46
Drive Assembly	48
Deck Mounting Assembly	50
Deck Assembly	52
Deck Decal Assembly No. 109-4372	54
Discharge Tube Assembly No. 103-9487	56
Gearbox Assembly No. 103-3387	58
Rear Deck Height Adjustment Assembly No. 109-0323	60
Drive Shaft Assembly No. 103-9485	62
Deck Support Frame Assembly No. 130-2893	64
Deck Support W/Decals Assembly No. 103-9480	66
Spring Lift Assist Assembly No. 116-7851	68
Attachments and Accessories	70

Caster Wheel and Frame Assembly



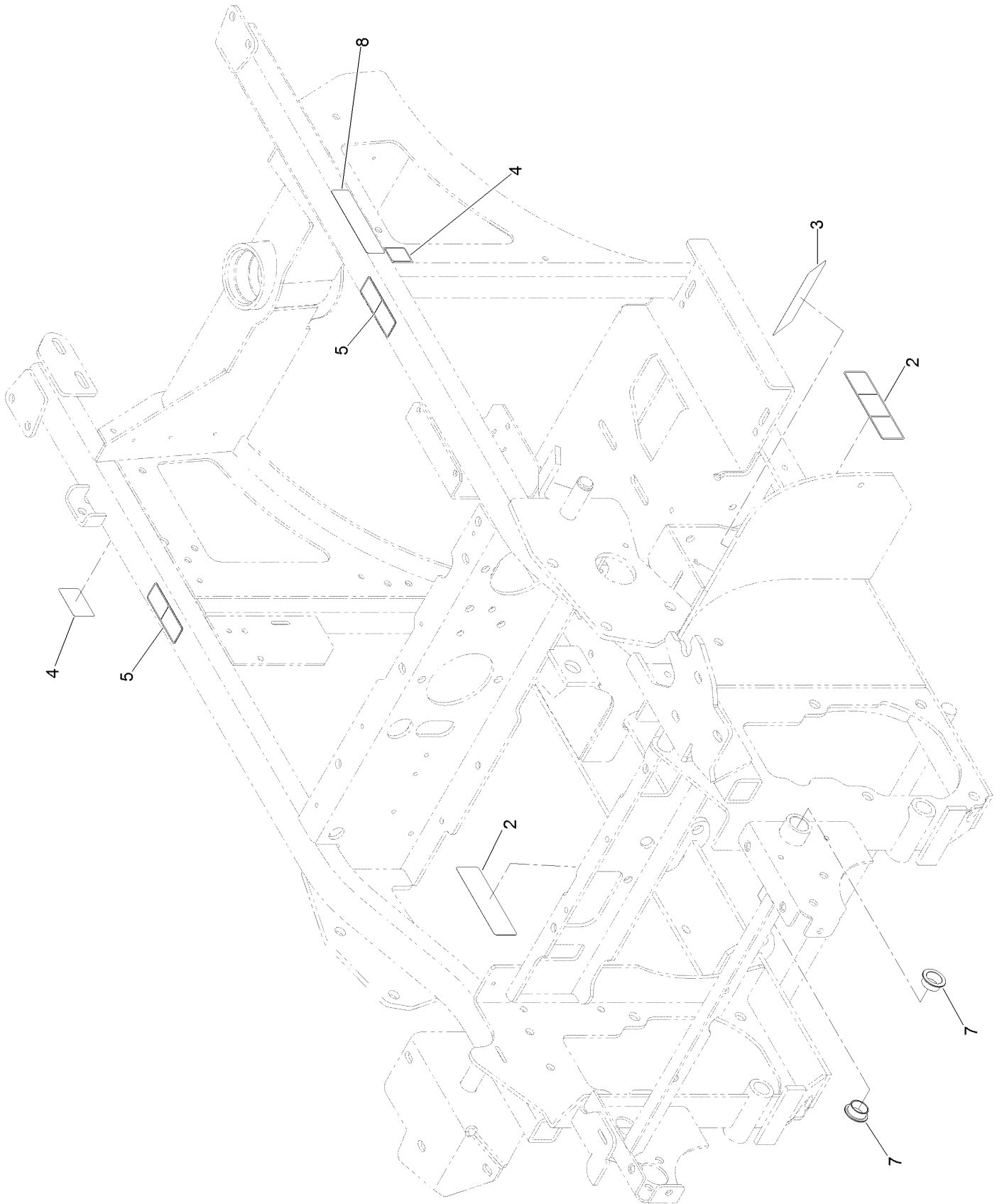
Caster Wheel and Frame Assembly (continued)

<i>Ref.</i>	<i>Part Number</i>	<i>Qty.</i>	<i>Description</i>	<i>Ref.</i>	<i>Part Number</i>	<i>Qty.</i>	<i>Description</i>
1	116-7482	1	Frame ASM	28	321-6	1	Screw-HH
2	116-7396-03	1	Plate-Support	30	130-2865	1	Wheel And Axle ASM
3	109-0925-03	1	Bumper-Rear	30:1	103-2768	2	Guard-Seal
4	109-2365	1	Bumper-Rubber	30:2	103-7738	1	Screw-HH
5	103-5408	2	Roller-Bumper	30:3	3296-23	1	Nut-Lock, NI
6	32128-33	5	Nut-HF	30:4	130-2864	1	Wheel And Bearing ASM
7	3256-23	3	Washer-Plain	30:4:1		1	Wheel And Tire ASM ●
8	322-5	5	Screw-HH	30:4:1:1	1-633584	2	Bearing-Cup
9	32128-20	5	Nut-HF	30:4:2	1-633585	2	Bearing-Cone, Taper
10	323-6	4	Screw-HH	30:4:3	126-5362	1	Axle Caster ASM
11	3256-24	4	Washer-Flat	30:4:4	103-3051	1	Spacer-Nut ■
12	3296-39	6	Nut-Lock, NI	30:4:5	103-0063	2	Seal-Caster
13	3231-31	2	Screw-CARR	31	3256-26	2	Washer-Flat
14	1-811010	1	Plug	32	3296-45	2	Nut-Hex
15	103-8333	1	Guide-Belt	33	325-17	2	Screw-HH
16	103-8349	1	Guide-Belt	34	116-8323	1	Guide-Belt
17	1-613235	4	Washer	37	103-3351-03	1	Fork-Rear Caster
18	322-6	2	Screw-HH	38	103-9027	1	Seal-Grease
19	1-633060	2	Spacer-Wheel, Short	39	103-9028	2	Bearing-Roller, Cone Taper
20	103-6596-03	2	Rod-Push	40	1-633508	6	Washer-Bellville
21	133-1821	1	Shield ASM-Drive	41	3296-51	1	Nut-Lock, NI
21:2	116-8941	1	Decal-Belt Routing	42	126-9882	1	Cap-Grease
21:3	98-1977	1	Decal-Warning	43	3256-8	1	Washer-Flat
22	321-3	1	Screw-HH	44	103-9029	2	Cup-Tapered, Roller Bearing
23	103-4155	2	Pin-Lynch	45	116-7272-03	1	Shield-Heat
26	109-5874-03	1	Brace-PTO	46	120-4654	1	Screw-HHF
27	1-213069	1	Washer				

● Not serviced separately

■ Use Pro-Lock, Nut Type (P/N 1-840022, .5ml tube) on threads.

Frame and Decal Assembly No. 116-7482

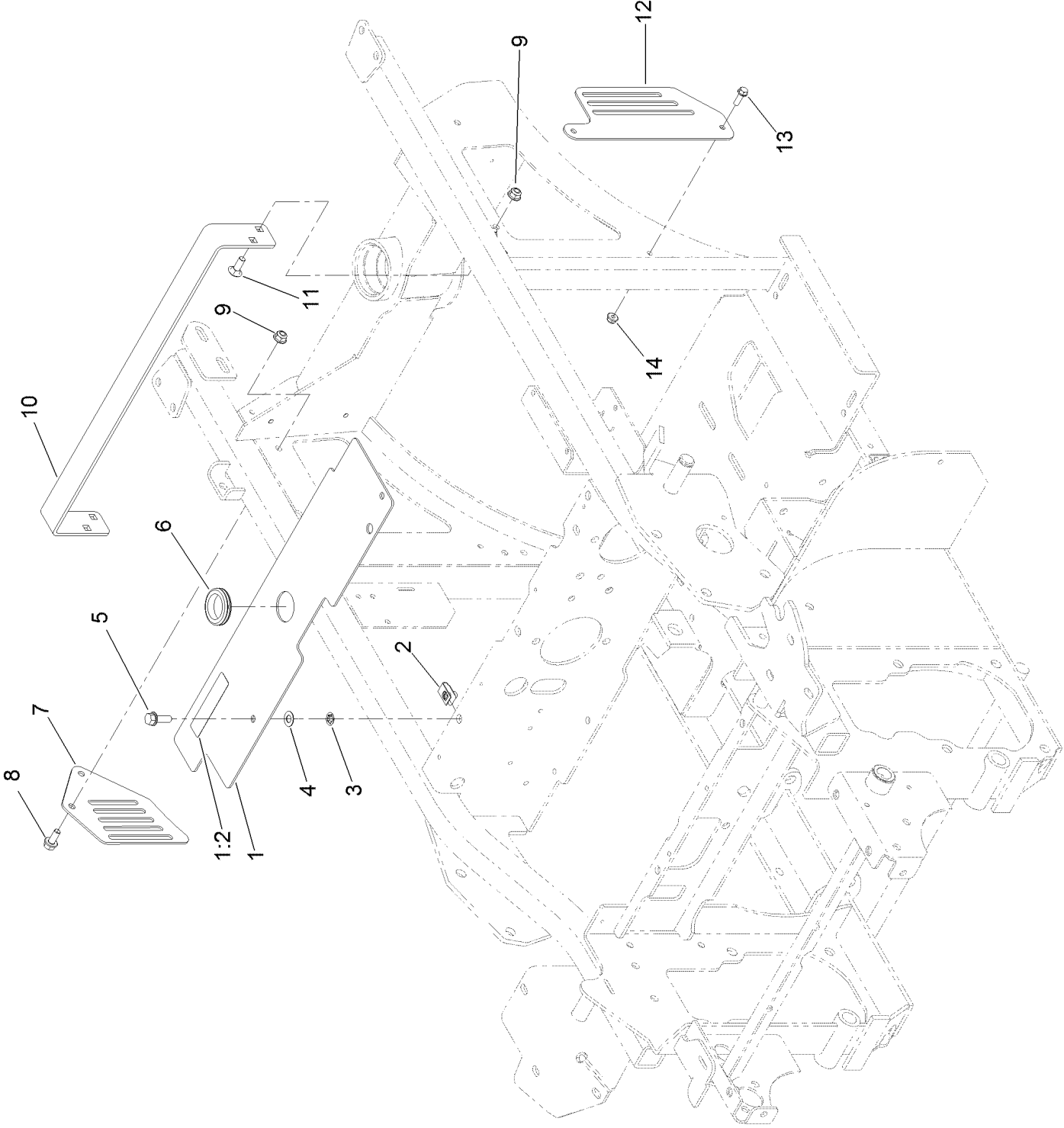


Frame and Decal Assembly No. 116-7482 (continued)

<i>Ref.</i>	<i>Part Number</i>	<i>Qty.</i>	<i>Description</i>
2	112-9028	2	Decal-Cover, Missing
3	126-4207	1	Decal-Adjustment, Clutch
4	106-5517	2	Decal-Warning

<i>Ref.</i>	<i>Part Number</i>	<i>Qty.</i>	<i>Description</i>
5	120-0625	2	Decal-Warning
7	108519	2	Bushing-Bronze
8	117-2718	1	Decal-Arrester, Spark

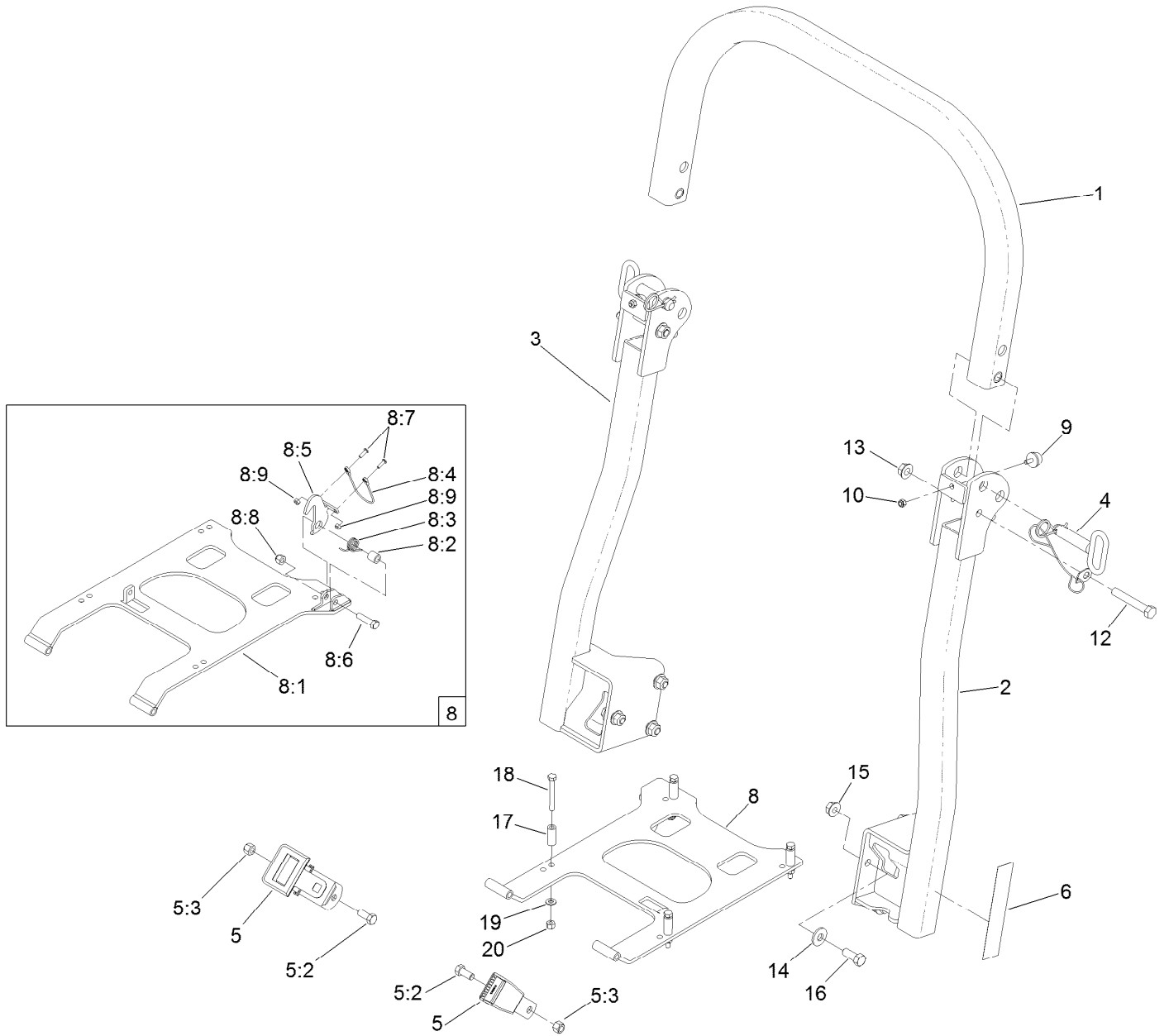
Pump and Muffler Guard Assembly



Pump and Muffler Guard Assembly (continued)

<i>Ref.</i>	<i>Part Number</i>	<i>Qty.</i>	<i>Description</i>	<i>Ref.</i>	<i>Part Number</i>	<i>Qty.</i>	<i>Description</i>
1	133-1826	1	Pump Guard ASM	8	3234-47	2	Screw-HHF
1:2	98-1977	1	Decal-Warning	9	104-8300	6	Nut-HF, NI
2	115-7721	2	Nut-Clip, U	10	133-1823-03	1	Guard-Muffler, Top
3	117-2749	2	Nut-Push	11	3230-16	4	Screw-CARR
4	73-0041	2	Washer-Thrust	12	133-1822-03	1	Guard-Muffler, LH
5	3234-29	2	Screw-HHF	13	32105-15	2	Screw-HWH
6	240-3	1	Grommet-Rubber	14	104-7201	2	Nut-HF
7	133-1824-03	1	Guard-Muffler, RH				

Roll-Over Protection System Assembly No. 78559

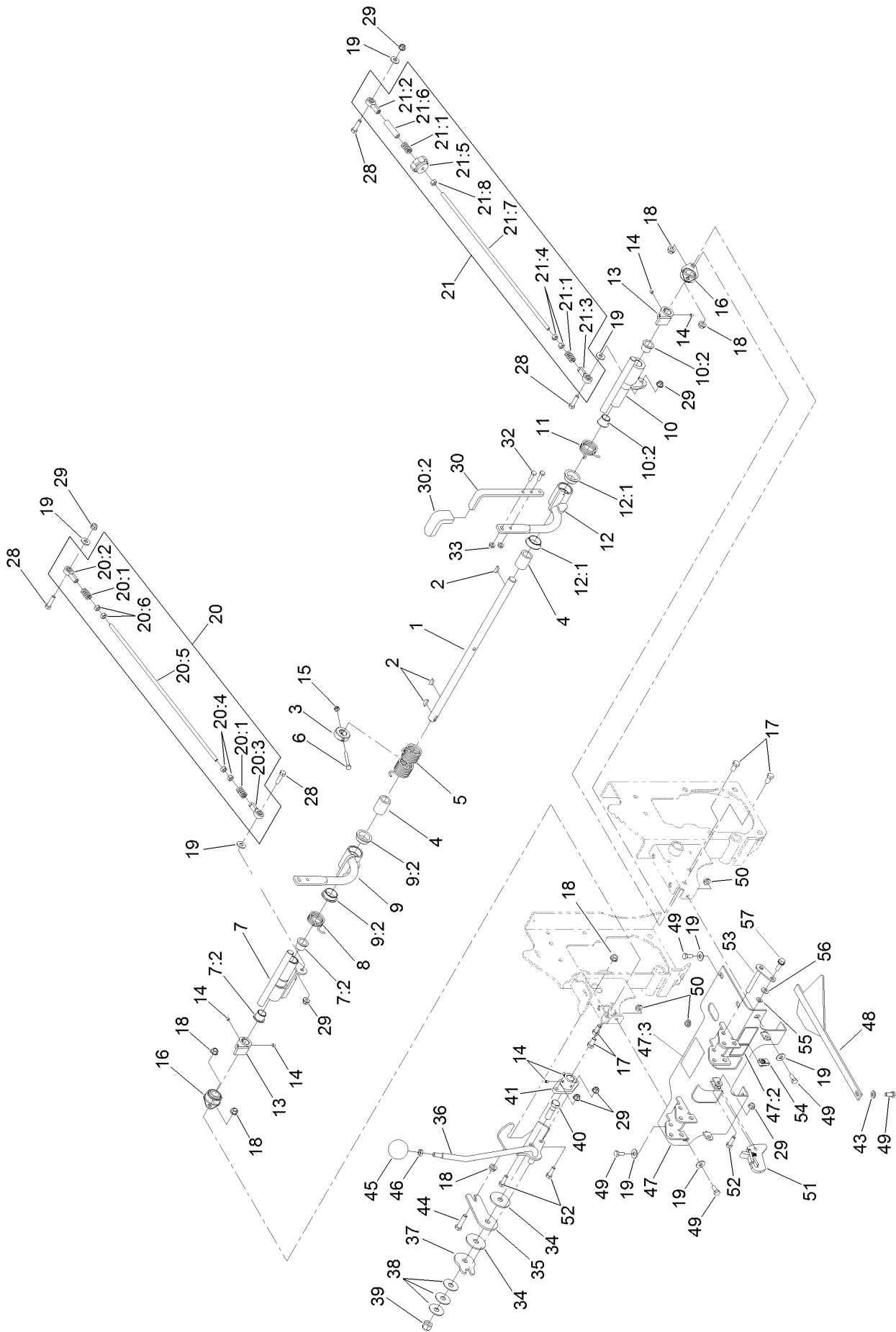


Roll-Over Protection System Assembly No. 78559 (continued)

<i>Ref.</i>	<i>Part Number</i>	<i>Qty.</i>	<i>Description</i>	<i>Ref.</i>	<i>Part Number</i>	<i>Qty.</i>	<i>Description</i>
1		1	Tube-Upper ROPS ●	8:7	3274-39	2	Screw-HSBH
2		1	Tube-Support ●	8:8	3296-39	1	Nut-Lock, NI
3		1	Tube-Support ●	8:9	3296-2	2	Nut-Lock, NI
4	103-4553	2	Pin-Fold, ROPS	9	109-2365	2	Bumper-Rubber
5	103-4469	1	Seatbelt Kit	10	3296-73	2	Nut-Lock, NI
5:2	3212-4	2	Screw-HH	12	325-13	2	Screw-HH
5:3	3296-7	2	Nut-Lock	13	32128-23	2	Nut-HF
6	107-3069	1	Decal-Warning	14	1-513435	6	Washer-Spring
8	126-0070	1	Seat Frame ASM	15	32128-49	6	Nut-HHF
8:1	126-0018-03	1	Mount-Seat, ROPS	16	325-5	6	Screw-HH
8:2	75-5270	1	Spacer-Knob, Seat	17	103-0384	4	Spacer
8:3	110-5831	1	Spring-Torsion	18	322-12	4	Screw-HH
8:4	126-0522	1	Cable Grip ASM	19	3256-23	4	Washer-Plain
8:5	126-0358	1	Hook	20	3296-29	4	Nut-Lock, NI
8:6	323-8	1	Screw-HH				

● Not serviced separately

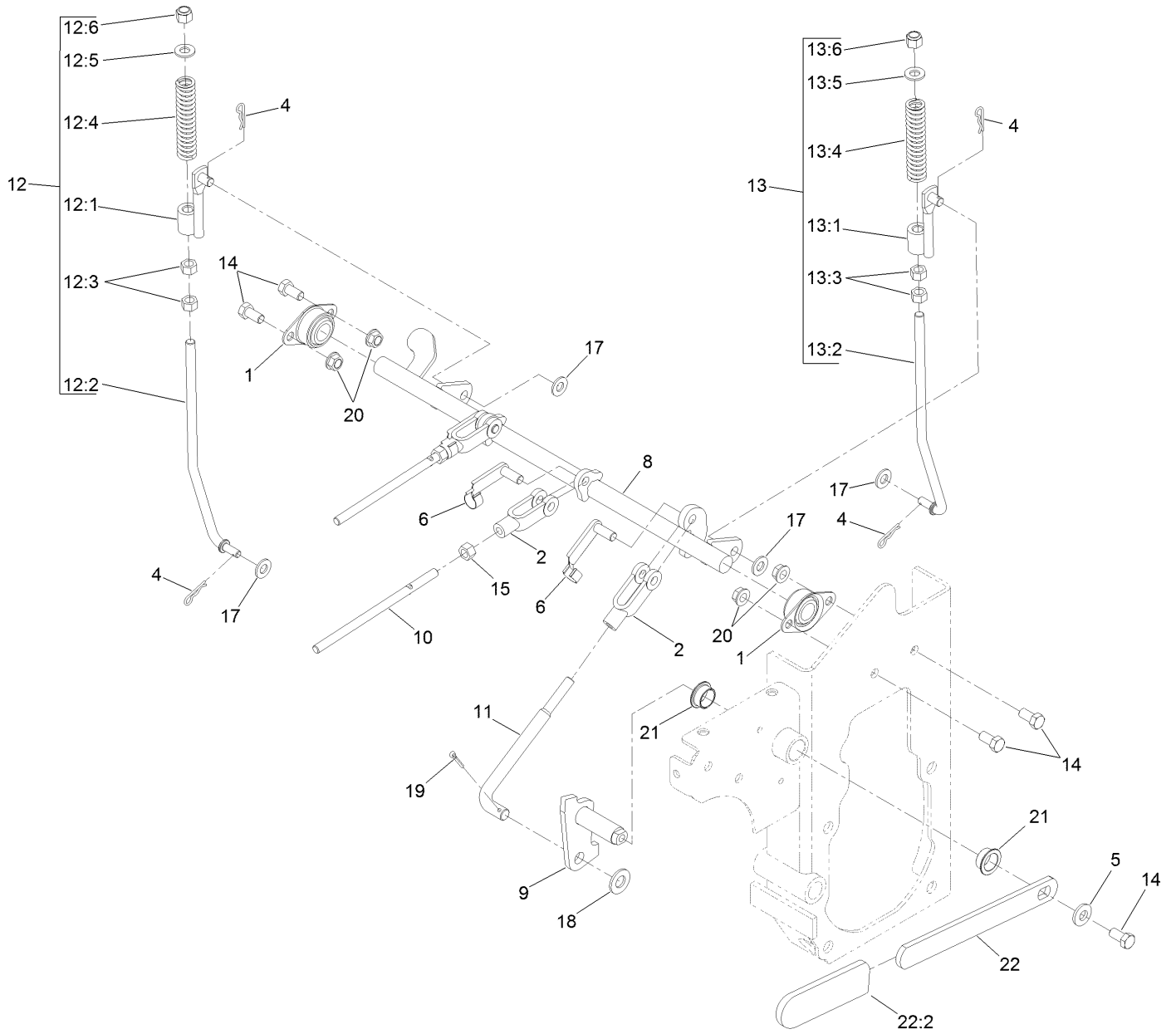
Speed and Steering Control Assembly



Speed and Steering Control Assembly (continued)

<i>Ref.</i>	<i>Part Number</i>	<i>Qty.</i>	<i>Description</i>	<i>Ref.</i>	<i>Part Number</i>	<i>Qty.</i>	<i>Description</i>
1	116-7856	1	Shaft-Control, Speed	21:6	103-5945	1	Spacer
2	3257-5	3	Key-Woodruff	21:7	116-7492	1	Rod-Linkage, Steering
3	116-7372	1	Stop-Hub, Center	21:8	3219-2	1	Nut-Hex
4	116-7414	2	Bushing-Plastic	28	322-6	4	Screw-HH
5	116-8475	1	Spring-Torsion, Double	29	104-8300	7	Nut-HF, NI
6	321-11	1	Screw-HH	30	116-9246	2	Handle ASM
7	116-8444	1	RH Control Hub ASM	30:2	103-5994	1	Grip-Handle, Steering
7:2	103-4398	2	Bearing-Flange, Iglide	32	321-5	4	Screw-HH
8	116-7380	1	Spring-Torsion, RH	33	32128-33	4	Nut-HF
9	126-7461	1	RH Steering Handle ASM	34	103-5009	2	Disc-Friction
9:2	116-7422	2	Bearing-Flange, Iglide	35	116-7846	1	Plate-Friction, Speed Control
10	116-7416	1	LH Control Hub ASM	36	116-7845	1	Lever-Speed Control
10:2	103-4398	2	Bearing-Flange, Iglide	37	116-7849	1	Plate-Friction, Speed Control
11	116-7381	1	Spring-Torsion, LH	38	103-5018	3	Washer-Disc, Spring
12	126-7463	1	LH Steering Handle ASM	39	3296-19	1	Nut-Hex
12:1	116-7422	2	Bearing-Flange, Iglide	40	116-7848	1	Screw-HH
13	103-4342	2	Hub-Speed Control	41	116-7859	1	Hub-Control, Speed
14	108-0989	6	Screw-Set	43	3256-23	1	Washer-Plain
15	3296-56	1	Nut-Lock, NI	44	323-8	1	Screw-HH
16	1-633102	2	Bearing-Flange, Side	45	103-4397	1	Knob-Ball, Speed Control
17	323-4	4	Screw-HH	46	3218-3	1	Nut-Jam
18	3290-357	6	Nut-HHF, Whiz	47	133-1832	1	Console ASM
19	3256-3	9	Washer-Flat	47:2	116-9049	1	Decal-Danger, Driveline
20	116-9667	1	RH Pump Linkage ASM	47:3	116-8946	1	Decal-Motor, Wheel
20:1	1-323245	2	Spring-Compression	48	103-5993-03	1	Guide-Plenum
20:2	1-543017	1	Balljoint-RH	49	322-3	6	Screw-HH
20:3	1-633152	1	Balljoint-LH	50	32128-20	3	Nut-HF
20:4	1-804524	2	Nut	51	103-8494	1	Hook
20:5	116-7492	1	Rod-Linkage, Steering	52	322-5	3	Screw-HH
20:6	3219-2	2	Nut-Hex	53	133-1831	1	Pin-Flag
21	116-9668	1	LH Pump Linkage ASM	54	115-7721	1	Nut-Clip, U
21:1	1-323245	2	Spring-Compression	55	117-2749	1	Nut-Push
21:2	1-543017	1	Balljoint-RH	56	73-0041	1	Washer-Thrust
21:3	1-633152	1	Balljoint-LH	57	3234-29	1	Screw-HHF
21:4	1-804524	2	Nut				
21:5	103-3060	1	Knob-Tracking				

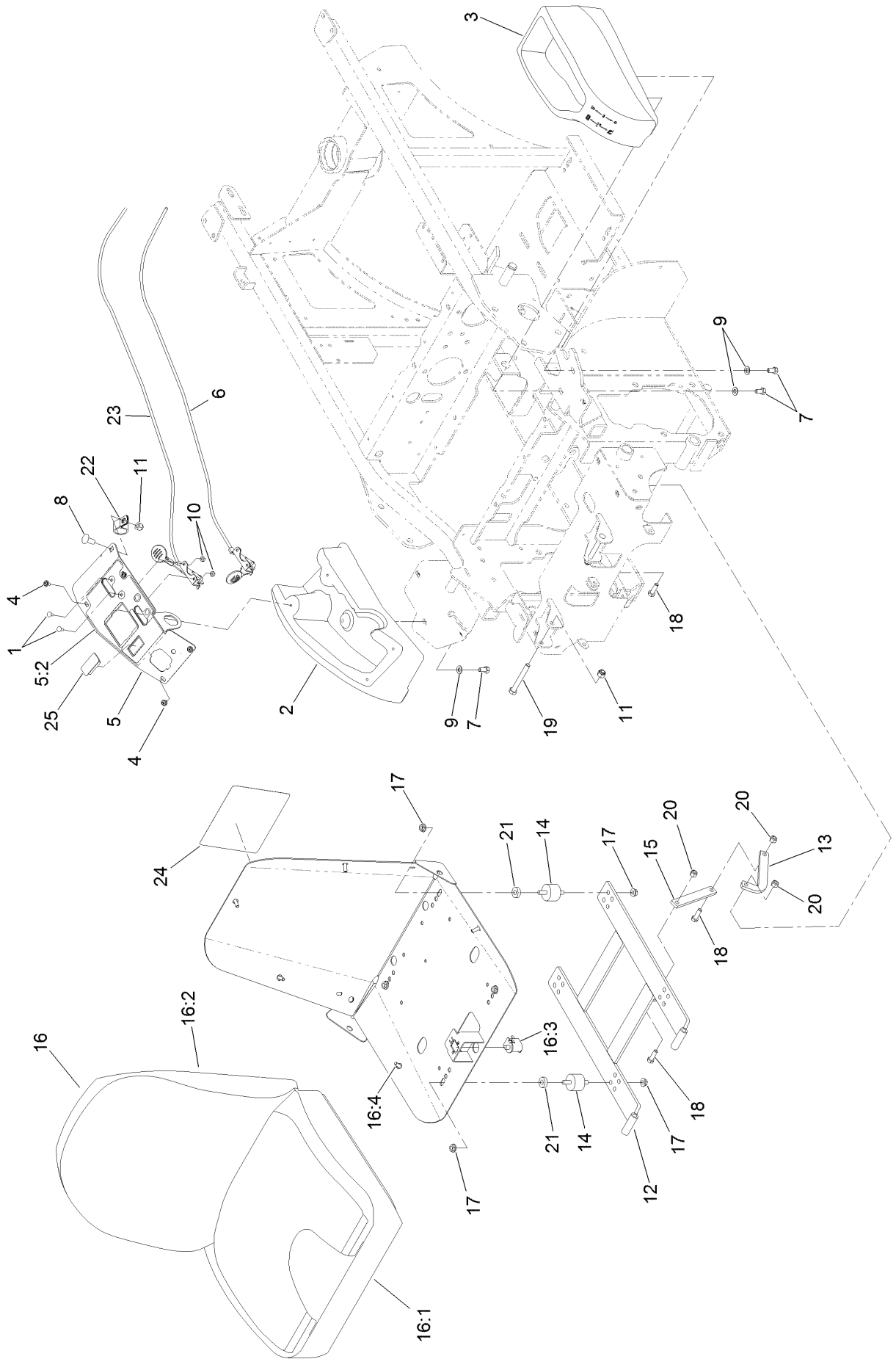
Parking Brake Assembly



Parking Brake Assembly (continued)

<i>Ref.</i>	<i>Part Number</i>	<i>Qty.</i>	<i>Description</i>	<i>Ref.</i>	<i>Part Number</i>	<i>Qty.</i>	<i>Description</i>
1	1-633102	2	Bearing-Flange, Side	13	116-9749	1	LH Brake Linkage ASM
2	1-633131	3	Yoke-Linkage, Brake	13:1	116-8467	1	Brake Linkage ASM
4	1-806003	4	Pin-Cotter	13:2	116-8464	1	Link-Brake, LH
5	98-5975	1	Washer-Belleville	13:3	3219-3	2	Nut-Hex
6	103-2399	3	Pin-Spring, Clevis	13:4	116-8470	1	Spring-Compression
8	116-7483-03	1	Shaft-Brake	13:5	3256-24	1	Washer-Flat
9	116-7486	1	Pivot-Brake	13:6	3296-6	1	Nut-Lock
10	116-7838	2	Rod-Linkage, Brake	14	323-4	5	Screw-HH
11	116-8474	1	Rod-Linkage, Brake	15	3219-3	2	Nut-Hex
12	116-9748	1	RH Brake Linkage ASM	17	3256-24	4	Washer-Flat
12:1	116-8467	1	Brake Linkage ASM	18	3256-26	1	Washer-Flat
12:2	116-8465	1	Link-Brake, RH	19	3272-10	1	Pin-Cotter
12:3	3219-3	2	Nut-Hex	20	3290-357	4	Nut-HHF, Whiz
12:4	116-8470	1	Spring-Compression	21	108519	2	Bushing-Bronze
12:5	3256-24	1	Washer-Flat	22	103-9469	1	Park Brake Handle ASM
12:6	3296-6	1	Nut-Lock	22:2	1-633268	1	Grip-Lever

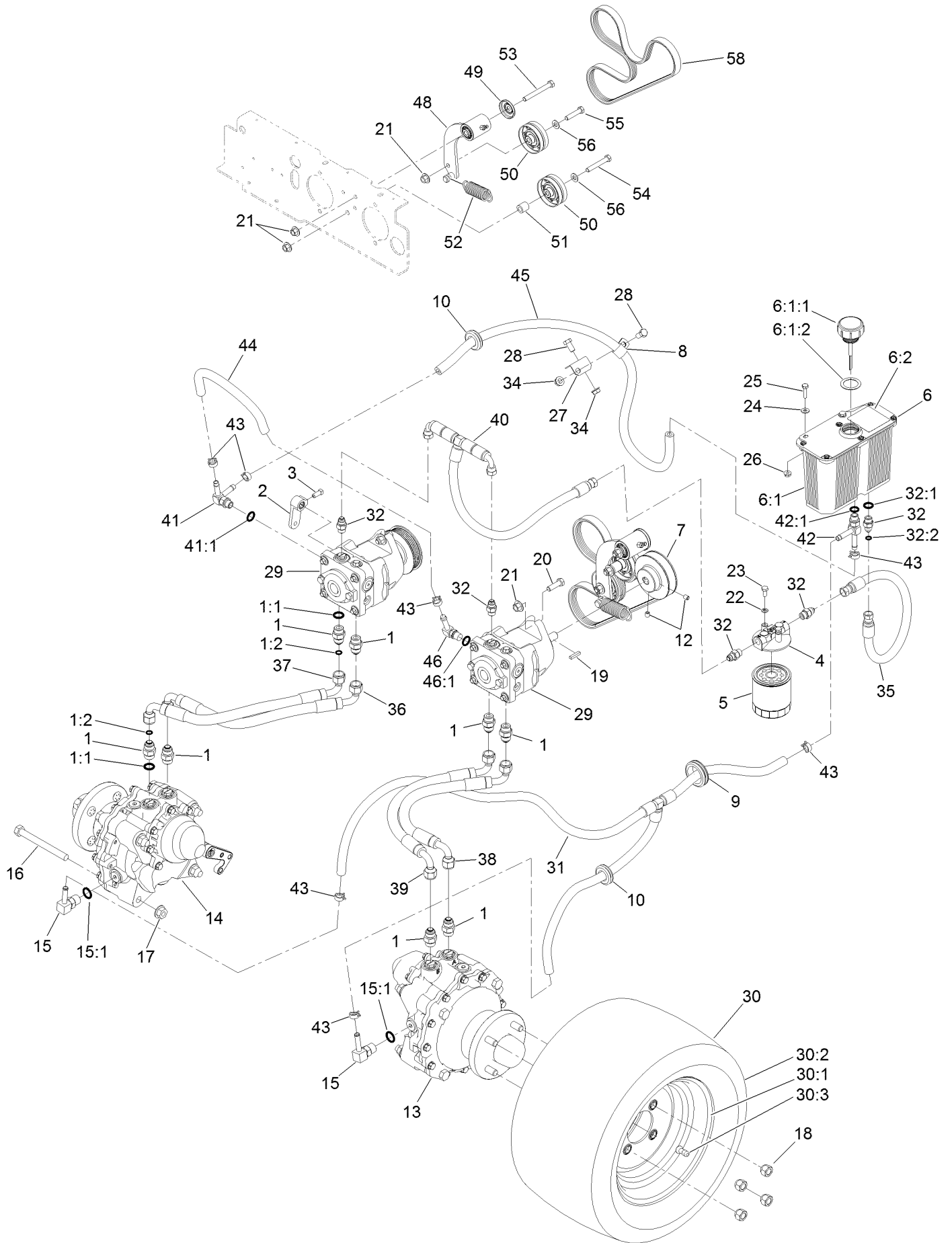
Seat and Console Assembly



Seat and Console Assembly (continued)

<i>Ref.</i>	<i>Part Number</i>	<i>Qty.</i>	<i>Description</i>	<i>Ref.</i>	<i>Part Number</i>	<i>Qty.</i>	<i>Description</i>
1	1-807513	4	Bolt-CARR	15	103-8563	1	Link-Seat
2	130-2857	1	Console-RH	16	130-2852	1	Seat ASM
3	126-4343	1	Console-LH	16:1	121-4751	1	Cushion-Seat, Bottom
4	109-2661	4	Screw-PPH	16:2	121-4752	1	Cushion-Seat, Back
5	130-2896	1	Control Panel ASM	16:3	82-2190	1	Switch-Bail
5:2	130-2880	1	Decal-Control	16:4	103-8383	5	Bolt-Seat
6	109-4641	1	Cable-Throttle	17	32128-20	8	Nut-HF
7	322-2	6	Screw-HH	18	322-5	3	Screw-HH
8	3231-27	1	Screw-CARR	19	323-14	2	Screw-HH
9	3256-23	6	Washer-Plain	20	3296-29	3	Nut-Lock, NI
10	3296-2	4	Nut-Lock, NI	21	5-0652	4	Spacer
11	3296-39	3	Nut-Lock, NI	22	1-643312	1	Clip-Loom
12	103-4362-03	1	Frame-Seat	23	109-4640	1	Cable-Choke
13	116-9554	1	Link-Seat Stop	24	116-9044	1	Decal-Service Aid
14	103-5496	4	Mount-Vibration, Rubber	25	99-7420	1	Plug-Hole

Hydraulic Assembly

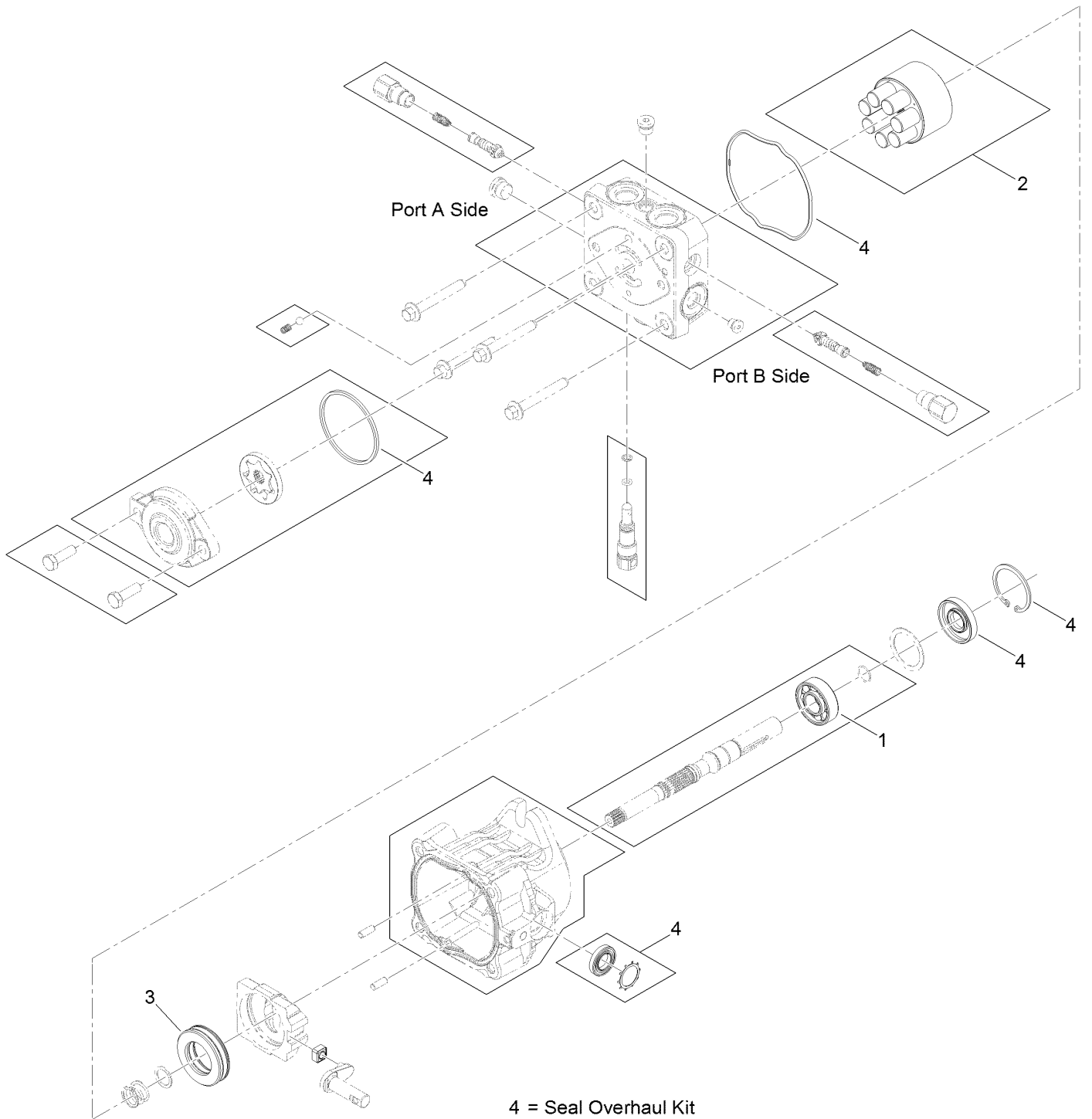


Hydraulic Assembly (continued)

<i>Ref.</i>	<i>Part Number</i>	<i>Qty.</i>	<i>Description</i>	<i>Ref.</i>	<i>Part Number</i>	<i>Qty.</i>	<i>Description</i>
1	1-603990	8	Fitting-Straight	30	130-2869	2	Wheel And Tire ASM
1:1	1-603920	1	O-Ring	30:1	130-2868	1	Wheel
1:2	1-603992	1	O-Ring	30:2	105-1945	1	Tire
2	1-632208	2	Arm-Control, Pump	30:3	232-27	1	Stem-Valve
3	120-6474	2	Screw-Set, SQH	31	116-7831	1	Hydraulic Hose ASM
4	104-7836	1	Head-Filter	32	103-2156	5	Fitting-Straight
5	114-3494	1	Element-Filter, 25 Micron	32:1	1-603921	1	O-Ring
6	116-9274	1	Reservoir ASM	32:2	103-1020	1	O-Ring
6:1		1	Reservoir-HYD ●	34	3290-357	2	Nut-HHF, Whiz
6:1:1	116-9273	1	Reservoir Cap ASM	35	126-4400	1	Hydraulic Hose ASM
6:1:2	103-1949	1	Gasket-Cap	36	116-7827	1	Hydraulic Hose ASM
6:2	115-4212	1	Decal-Warning	37	116-7828	1	Hydraulic Hose ASM
7	103-4246	2	Sheave	38	116-7829	1	Hydraulic Hose ASM
8	1-633396	1	Clip-Loom	39	116-7830	1	Hydraulic Hose ASM
9	103-7706	1	Grommet	40	109-1264	1	Hydraulic Hose ASM
10	1-543286	2	Grommet	41	103-5469	1	Adapter-Tee
12	1-803310	4	Screw-Set	41:1	237-42	1	O-Ring
13	116-7401	1	Motor-HYD, LH	42	103-1828	1	Adapter-Run, Tee
14	116-7402	1	Motor-HYD, RH	42:1	237-42	1	O-Ring
15	354-134	2	Fitting-90	43	103-1988	7	Clamp-Hose
15:1	237-79	1	O-Ring	44	103-5452	1	Hose-HYD
16	325-19	8	Screw-HH	45	103-5477	1	Hose-HYD
17	32128-49	8	Nut-HHF	46	100-4887	1	Fitting-Elbow, 90
18	242-50	8	Nut-Lug	46:1	237-42	1	O-Ring
19	1-807272	2	Key	48	103-7349	1	Short Idler ASM
20	323-7	4	Screw-HH	49	103-2916	1	Guard-Top
21	32128-43	7	Nut-Flange	50	116-6361	2	Pulley
22	1-805004	2	Washer-Lock	51	106-5574	1	Spacer-Mounting, Steering
23	321-3	2	Screw-HH	52	1-653331	1	Spring-Idler
24	3256-22	2	Washer-Flat	53	323-20	1	Screw-HH
25	321-6	2	Screw-HH	54	323-12	1	Screw-HH
26	32128-33	2	Nut-HF	55	323-9	1	Screw-HH
27	103-8631	1	Bracket-Clamp	56	3256-24	2	Washer-Flat
28	323-4	2	Screw-HH	58	130-2871	1	Belt-V
29	116-7836	2	12Cc Hydro Pump ASM				

● Not serviced separately

Hydraulic Pump Assembly No. 116-7836

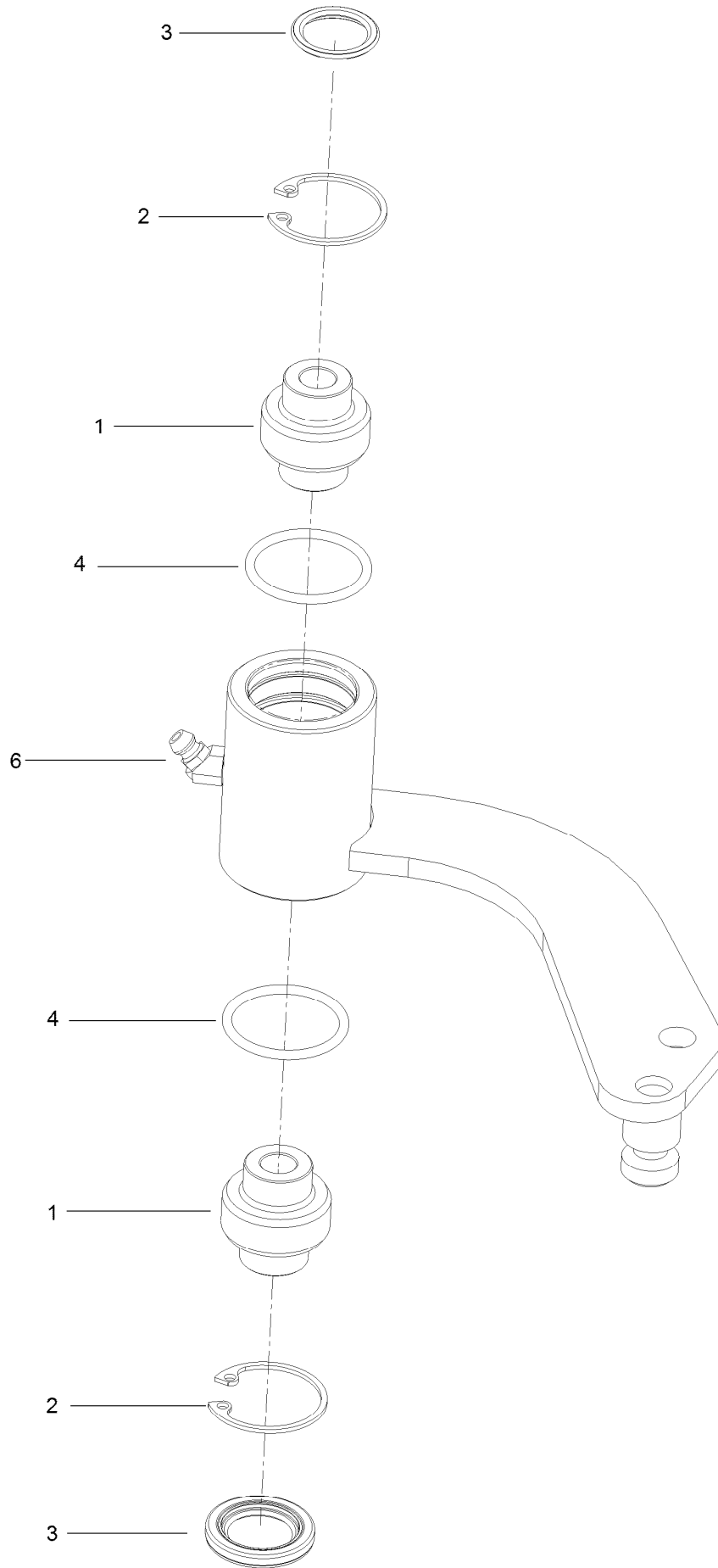


Hydraulic Pump Assembly No. 116-7836 (continued)

<i>Ref.</i>	<i>Part Number</i>	<i>Qty.</i>	<i>Description</i>
1	104-5311	1	Bearing-Ball
2	103-7443	1	Cylinder Block Kit

<i>Ref.</i>	<i>Part Number</i>	<i>Qty.</i>	<i>Description</i>
3	121-3235	1	Bearing-Thrust, Plastic Cage
4	105-6184	1	Seal Overhaul Kit

Idler Assembly No. 103-7349

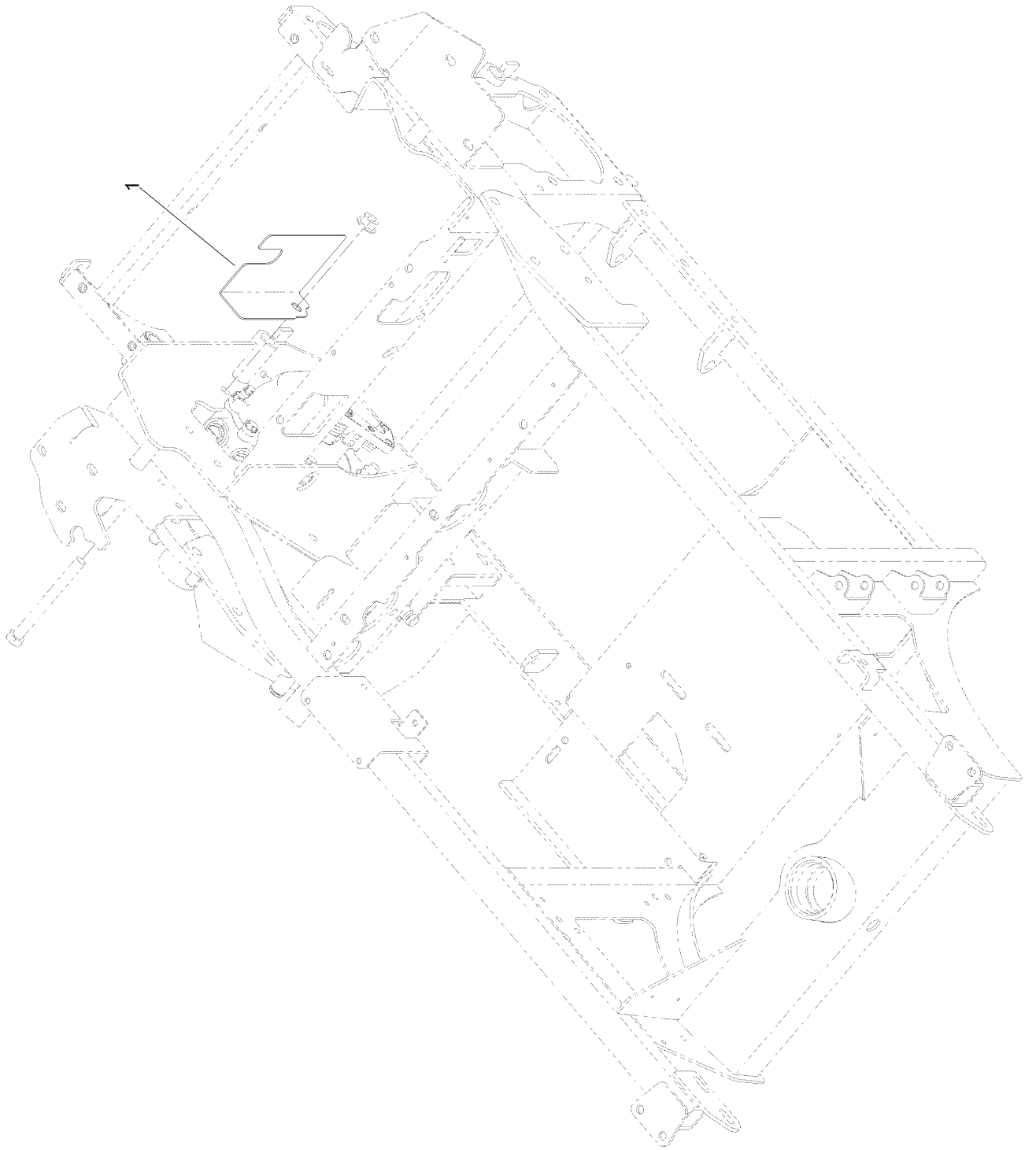


Idler Assembly No. 103-7349 (continued)

<i>Ref.</i>	<i>Part Number</i>	<i>Qty.</i>	<i>Description</i>
1	103-3504	2	Bearing-Spherical
2	32120-10	2	Ring-Snap
3	103-3506	2	Seal-Lip, Single

<i>Ref.</i>	<i>Part Number</i>	<i>Qty.</i>	<i>Description</i>
4	106-7159	2	O-Ring
6	302-11	1	Fitting-Lube, 45 DEG

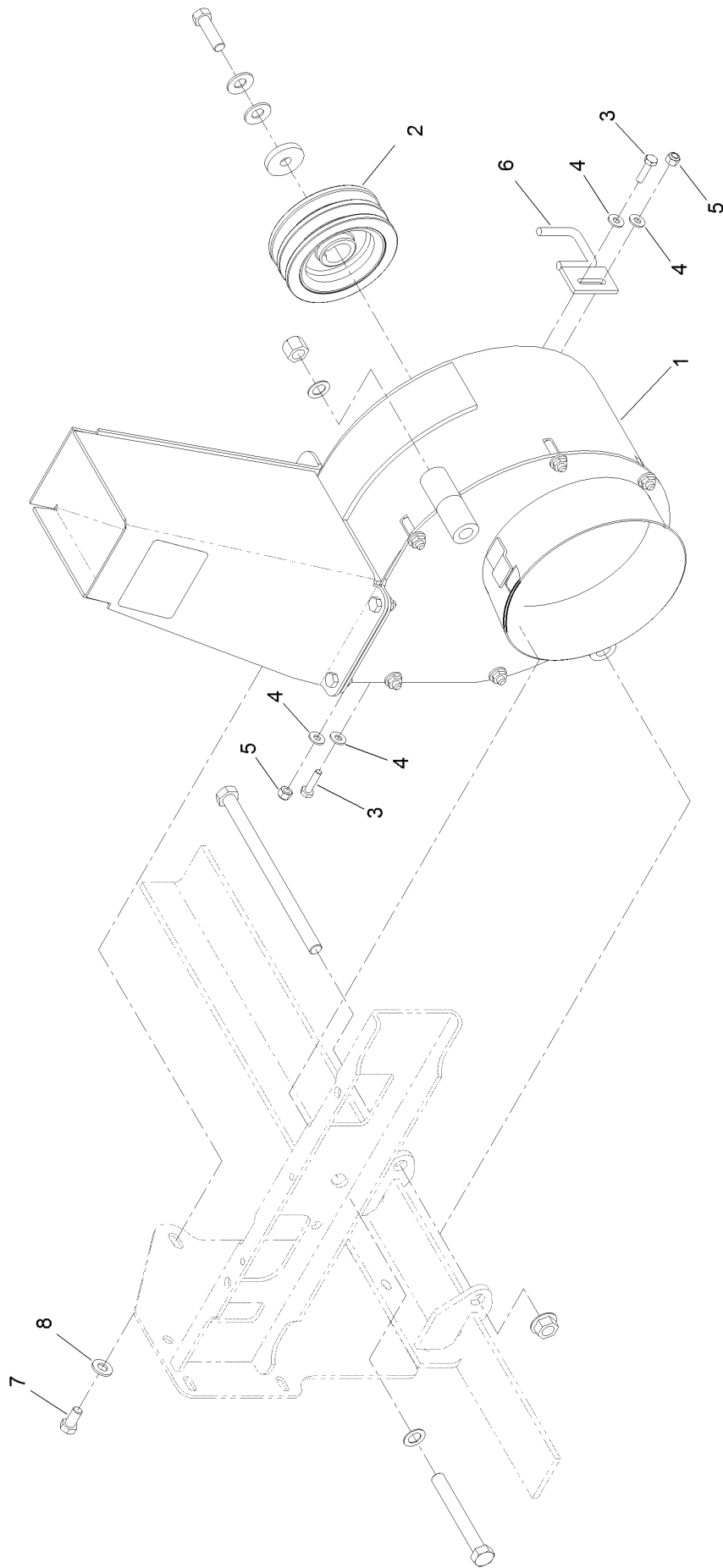
PTO Guard Assembly



PTO Guard Assembly (continued)

<i>Ref.</i>	<i>Part Number</i>	<i>Qty.</i>	<i>Description</i>
1	136-1662-03	1	Guard-PTO

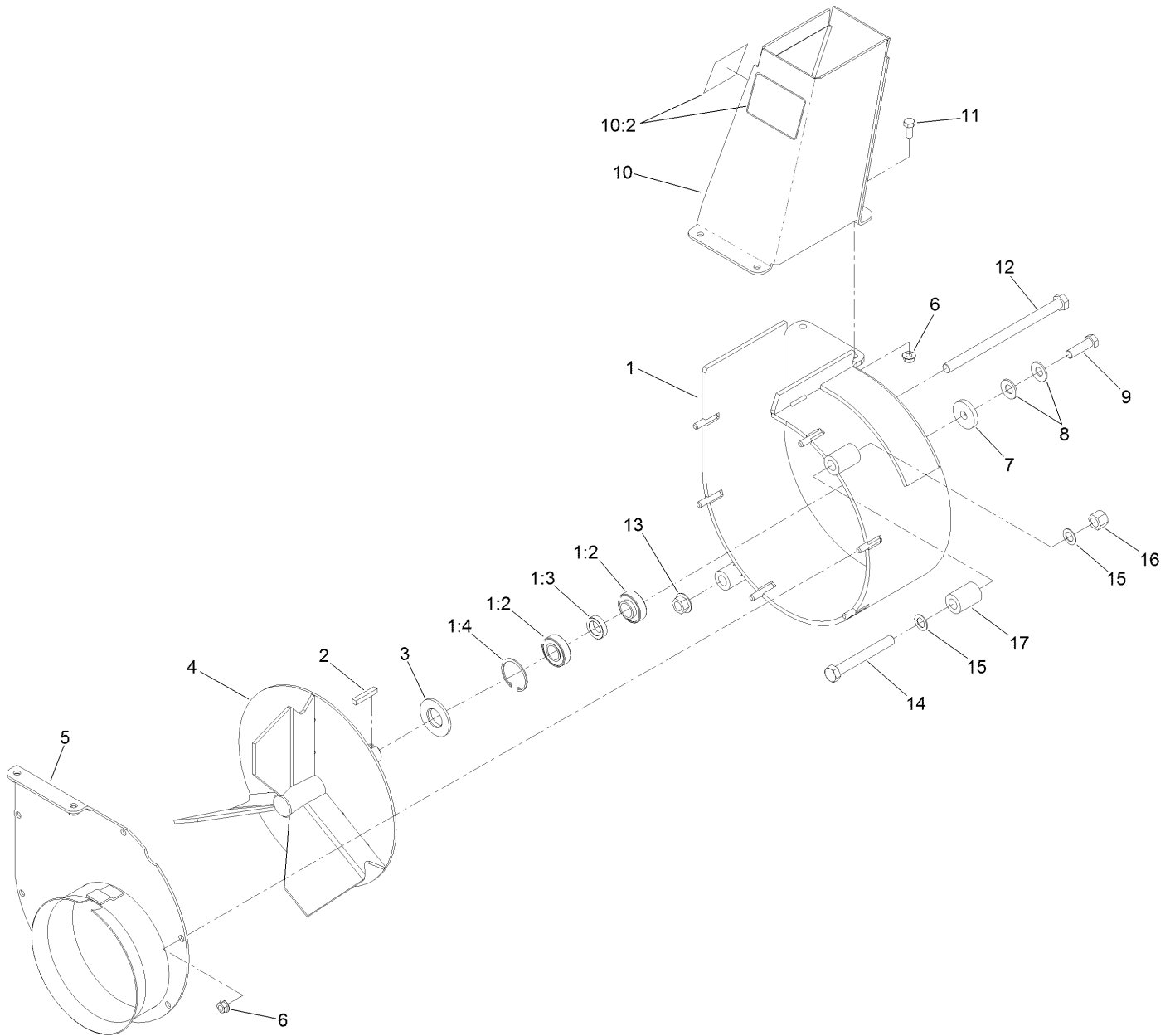
Blower Mounting Assembly



Blower Mounting Assembly (continued)

<i>Ref.</i>	<i>Part Number</i>	<i>Qty.</i>	<i>Description</i>	<i>Ref.</i>	<i>Part Number</i>	<i>Qty.</i>	<i>Description</i>
1	116-9649	1	Blower ASM	5	3296-42	2	Nut-Lock, NI
2	103-6733	1	Sheave-Blower	6	103-9167-03	1	Guide
3	321-6	2	Screw-HH	7	323-4	1	Screw-HH
4	3256-22	4	Washer-Flat	8	3256-24	1	Washer-Flat

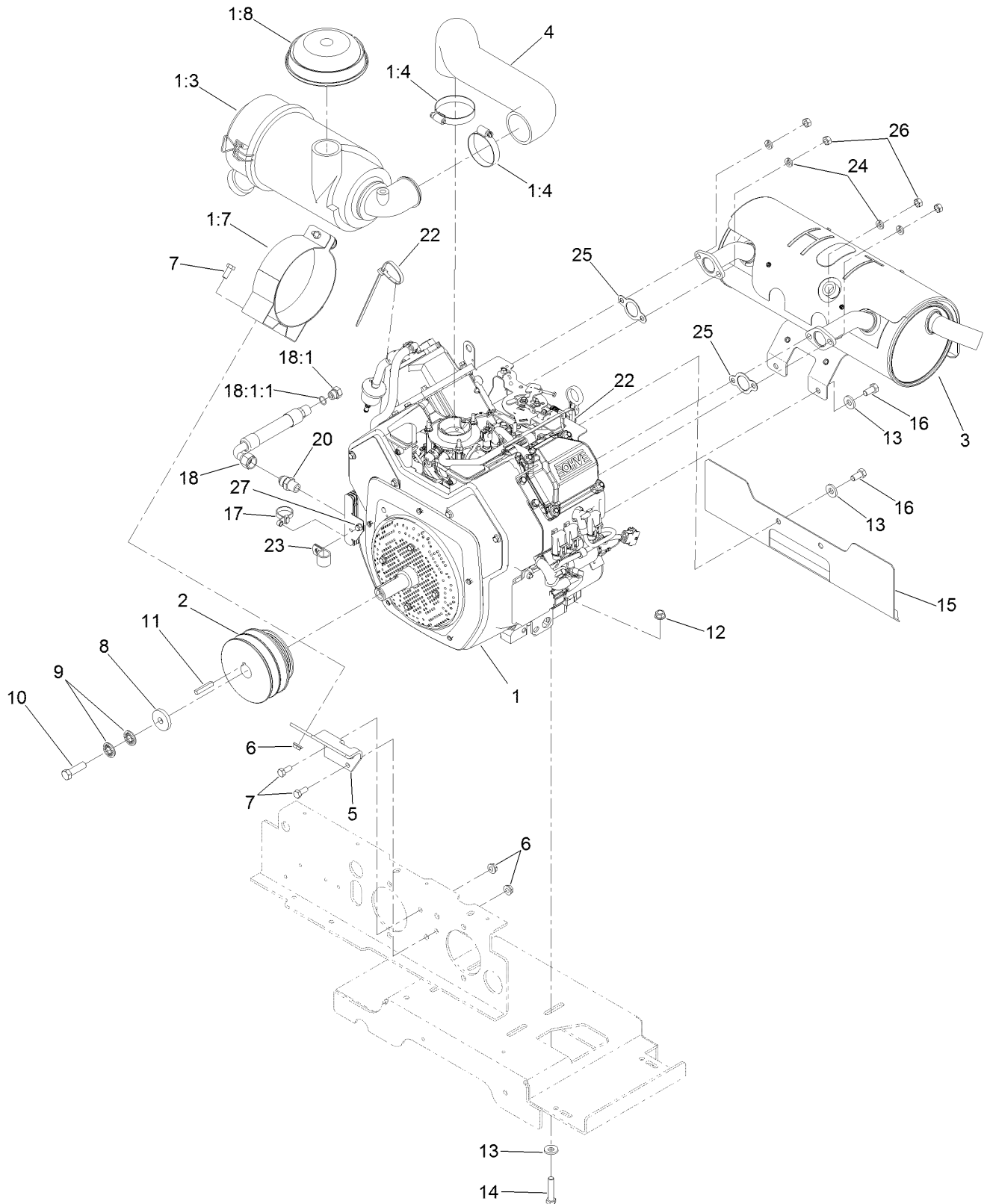
Blower Assembly No. 116-9649



Blower Assembly No. 116-9649 (continued)

<i>Ref.</i>	<i>Part Number</i>	<i>Qty.</i>	<i>Description</i>	<i>Ref.</i>	<i>Part Number</i>	<i>Qty.</i>	<i>Description</i>
1	116-9648	1	Housing ASM	9	3212-6	1	Screw-HH
1:2	103-3540	2	Bearing-Ball	10	103-9474	1	Discharge Chute ASM
1:3	103-4921	1	Spacer-Bearing	10:2	116-8943	2	Decal-Danger, Impeller
1:4	32120-8	2	Ring-Snap	11	322-3	4	Screw-HH
2	67-7490	1	Key-Square	12	325-42	1	Screw-HH
3	103-3894	1	Spacer-Blower	13	32128-23	1	Nut-HF
4	103-5194	1	Impeller-3 Blade	14	325-17	1	Screw-HH
5	103-3370-03	1	Cover-Blower	15	18-9810	2	Washer-Thrust
6	32128-20	10	Nut-HF	16	3296-23	1	Nut-Lock, NI
7	1-543610	1	Washer-Clutch	17	103-6999	1	Spacer-Mount
8	1-603610	2	Washer-Spring				

Engine, Muffler and Air Cleaner Assembly



Engine, Muffler and Air Cleaner Assembly (continued)

<i>Ref.</i>	<i>Part Number</i>	<i>Qty.</i>	<i>Description</i>	<i>Ref.</i>	<i>Part Number</i>	<i>Qty.</i>	<i>Description</i>
1		1	Engine-Kohler, Ch640-3164 ●■	12	3290-357	4	Nut-HHF, Whiz
1:3	103-8569	1	Air Cleaner Canister ASM	13	98-5975	8	Washer-Belleville
1:4	2412-42	2	Clamp-Hose	14	323-9	4	Screw-HH
1:7	103-1058	1	Bracket-Filter, Air	15	109-0181-03	1	Shield-Exhaust
1:8	100-2436	1	Hood-Cleaner, 2" Air Intake	16	323-4	4	Screw-HH
2	103-6731	1	Sheave-Engine	17	109-7896	1	Tie-Cable
3	103-7444	1	Muffler	18	116-5338	1	Oil Drain Hose ASM
4	103-6961	1	Hose-Air Intake	18:1	353-508	1	Plug-HH
5	103-3695-03	1	Bracket-Filter, Air	18:1:1	237-42	1	O-Ring
6	32128-20	4	Nut-HF	20	116-1455	1	Fitting-Straight ▲
7	322-3	4	Screw-HH	22	1-303335	3	Tie-Plastic
8	1-543610	1	Washer-Clutch	23	1-633396	1	Clip-Loom
9	1-603610	2	Washer-Spring	24	1-805005	4	Washer-Lock
10	3212-6	1	Screw-HH ◆	25	1-653291	2	Gasket-Exhaust
11	67-7490	1	Key-Square	26	33014-00	4	Nut-Hex
				27	126-4338	1	Screw-HH

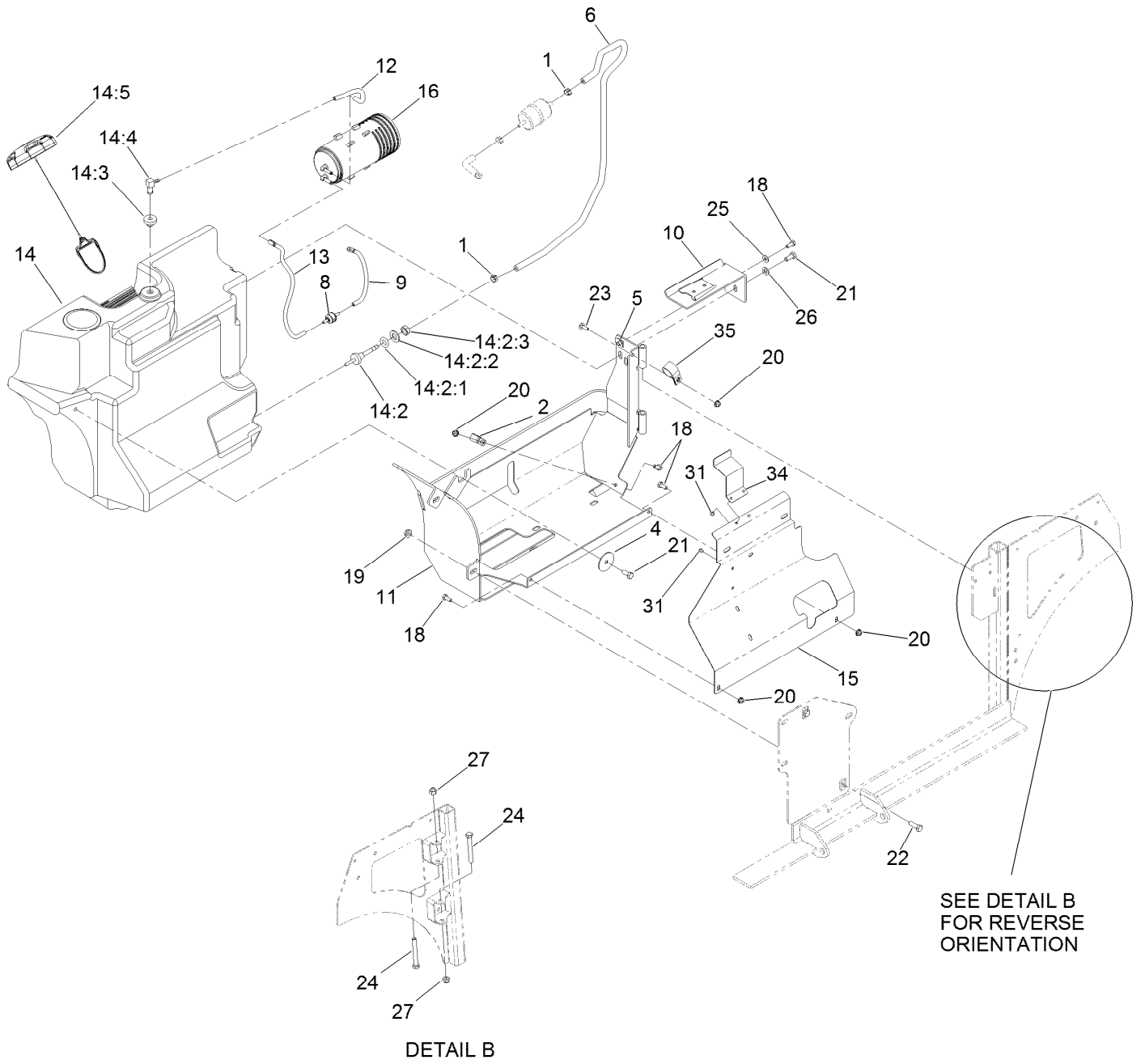
● Not serviced separately

▲ Use a Teflon Pipe Sealant or equivalent on threads.

◆ Use Pro-Lock, Nut Type (P/N 1-840022, .5ml tube) on threads.

■ Obtain parts from www.kohlerplus.com

Fuel Assembly



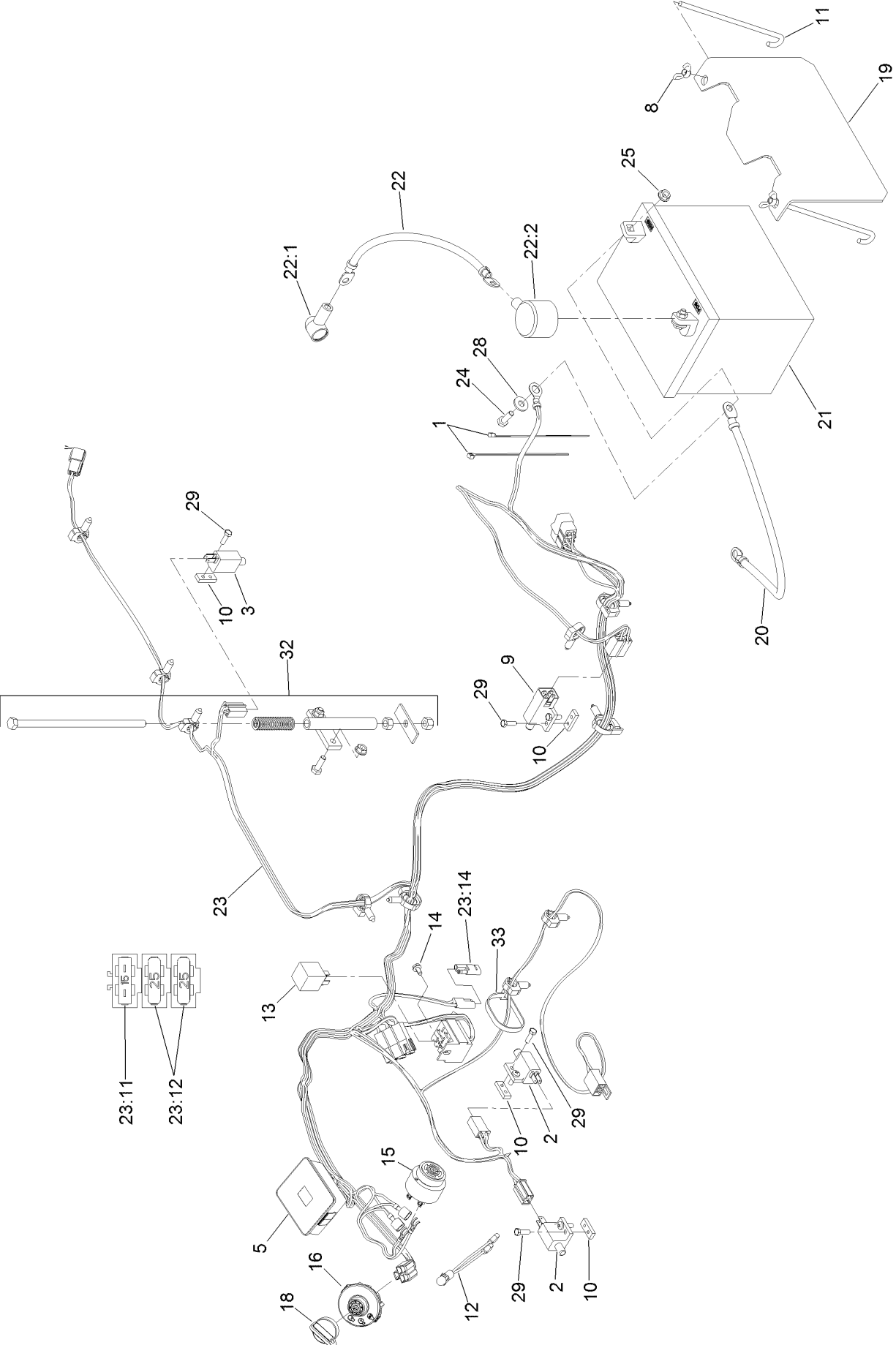
Fuel Assembly (continued)

<i>Ref.</i>	<i>Part Number</i>	<i>Qty.</i>	<i>Description</i>	<i>Ref.</i>	<i>Part Number</i>	<i>Qty.</i>	<i>Description</i>
1	2412-98	2	Clamp-Hose	14:4	100-1596	1	Fitting-90 DEG
2	1-513762	1	Clip-Loom	14:5	120-5461	1	Cap-Fuel, Ratcheting
4	1-653036	1	Washer	15	116-7928-03	1	Panel-Tank Shield
5	107069	1	Clip	16	117-1221	1	Canister-Carbon, 800Cc
6	109-0284	1	Hose-Fuel	18	321-3	4	Screw-HH
8	133-8499	1	Valve-Check, Vacuum	19	32128-20	2	Nut-HF
9	116-2619	1	Hose-Vent, Formed	20	104-7201	4	Nut-HF
10	116-2847-03	1	Canister Bracket ASM	21	322-3	2	Screw-HH ●
11	116-2848-03	1	Tank Frame ASM	22	322-5	2	Screw-HH ■
12	116-2966	1	Hose-Vent, Formed	23	3229-1	1	Screw-CARR
13	116-2967	1	Hose-Vent, Formed	24	323-14	2	Screw-HH
14	116-8365	1	Fuel Tank ASM	25	3256-22	1	Washer-Flat
14:2	103-6057	1	Fitting-Fuel, Bulkhead ●	26	3256-23	1	Washer-Plain
14:2:1	103-2784	1	O-Ring	27	3296-39	2	Nut-Lock, NI
14:2:2	3256-26	1	Washer-Flat	31	1-803035	2	Rivet-Pop
14:2:3	3220-5	1	Nut-Jam	34	116-4037-03	1	Bracket-Shield, Tank
14:3	46-6560	1	Bushing	35	110-0824	1	R-Clamp

● Use Pro-Lock, Nut Type (P/N 1-840022, .5ml tube) on threads.

■ Use Pro-Lock retaining type, Part no. 1-840023 (.5cc tube) on threads.

Electrical System Assembly



Electrical System Assembly (continued)

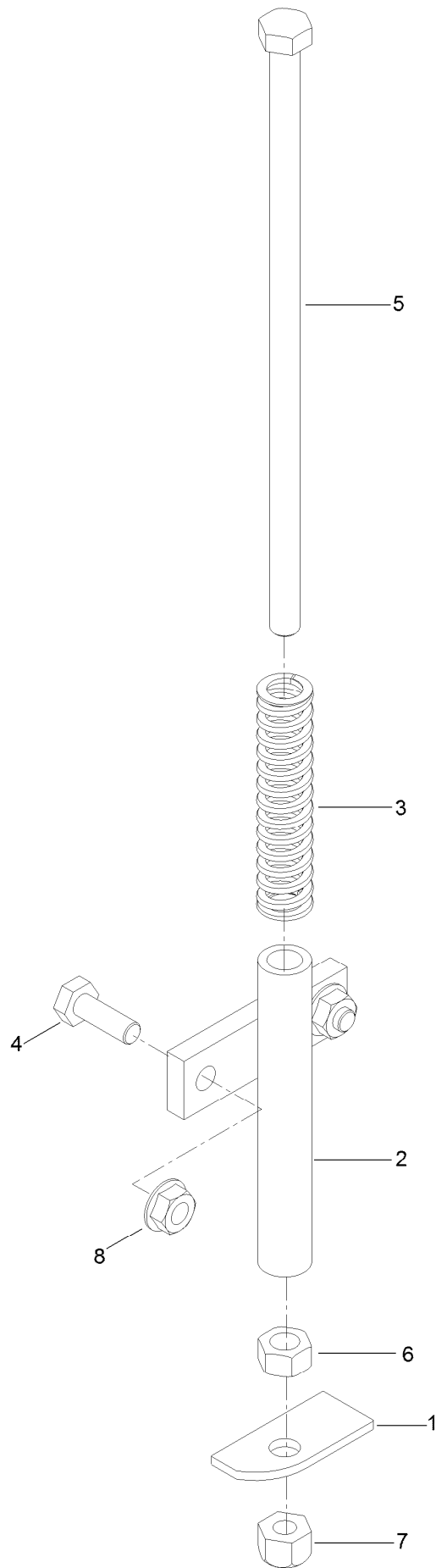
<i>Ref.</i>	<i>Part Number</i>	<i>Qty.</i>	<i>Description</i>	<i>Ref.</i>	<i>Part Number</i>	<i>Qty.</i>	<i>Description</i>
1	1-303287	2	Tie-Cable	21		1	Battery (300 CCA, Wet) ●■
2	1-513051	2	Switch-Open, Normally	22	116-4730	1	Cable-Battery, Positive
3	1-513152	1	Switch-Closed, Normally	22:1	1-543393	1	Insulator-Solenoid
5	116-8812	1	Hour Meter ASM	22:2	109-2407	1	Insulator-Battery
8	1-543792	2	Wingnut	23	116-9114	1	Harness-Wiring ▲
9	1-633111	1	Switch	23:11	109355	1	Fuse-Blade, 15 Amp
10	1-633181	4	Plate-Tapped	23:12	109102	2	Fuse-Blade, 25 Amp
11	1-633651	2	Bolt-Holddown	23:14	116-0053	1	Cap-Plug
12	1-643267	1	Indicator-LED, Red	24	321-4	4	Screw-HH
13	1-643275	1	Relay	25	32128-33	4	Nut-HF
14	104-2065	1	Screw-HWH	28	3256-2	2	Washer-Flat
15	103-0205	1	Alarm-Tone, Dual	29	3290-134	8	Screw
16	117-2221	1	Switch-Ignition	32	103-8528	1	Hopper Switch Actuator ASM
18	63-8360	1	Key-Ignition			4	Tie-Plastic
19	103-4161-03	1	Hold Down-Battery	33	1-303335		
20	103-8355	1	Cable-Battery, Negative				

● Obtain locally.

■ Not serviced separately

▲ Use dielectric grease on all unsealed connectors and terminals only. Do not apply in sealed connectors.

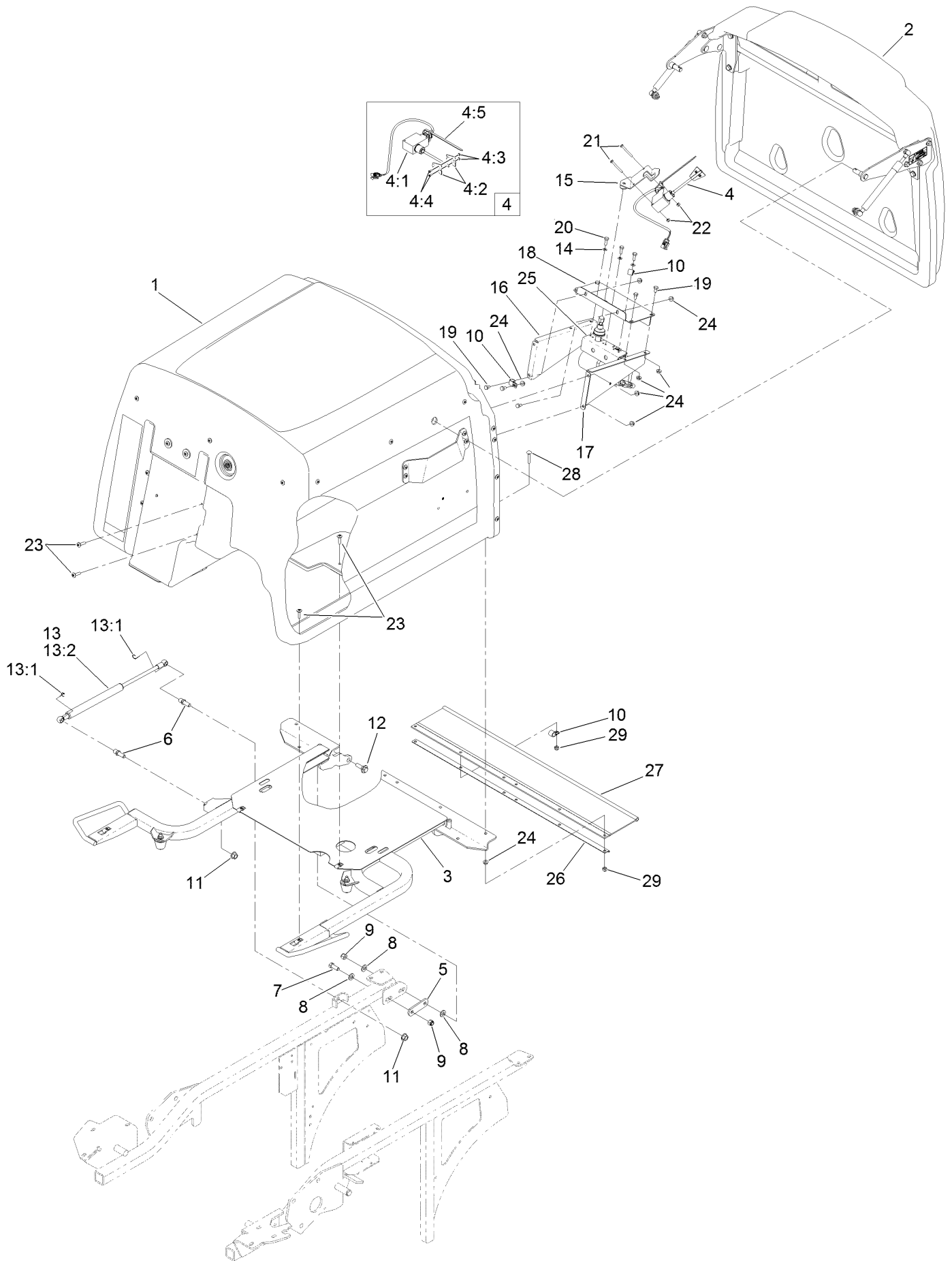
Hopper Switch Actuator Assembly No. 103-8528



Hopper Switch Actuator Assembly No. 103-8528 (continued)

<i>Ref.</i>	<i>Part Number</i>	<i>Qty.</i>	<i>Description</i>	<i>Ref.</i>	<i>Part Number</i>	<i>Qty.</i>	<i>Description</i>
1	126-7505	1	Plate-Switch	5	322-50	1	Screw-HH
2	1-522424-03	1	Mount-Spring, Seat	6	3217-6	1	Nut-Hex
3	1-523415	1	Spring-Switch, Seat	7	3296-29	1	Nut-Lock, NI
4	321-4	2	Screw-HH	8	32128-33	2	Nut-HF

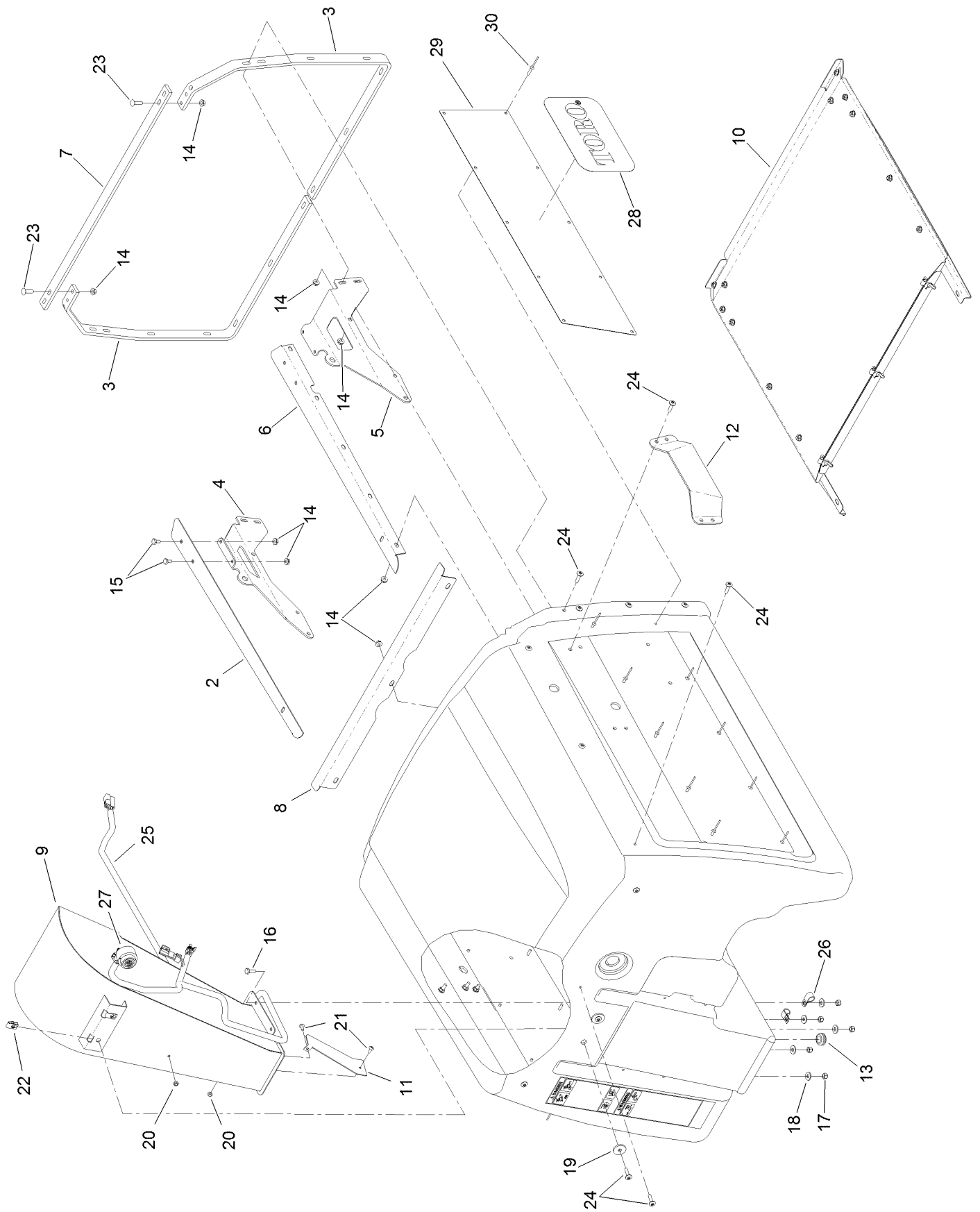
Hopper Mounting Assembly



Hopper Mounting Assembly (continued)

<i>Ref.</i>	<i>Part Number</i>	<i>Qty.</i>	<i>Description</i>	<i>Ref.</i>	<i>Part Number</i>	<i>Qty.</i>	<i>Description</i>
1	130-2872	1	Hopper ASM	13:1	103-8325	2	Clip-Retainer
2	130-2875	1	Hopper Door ASM	13:2	103-5425	1	Shock-Compression, Gas
3	109-4086	1	Hopper Frame ASM	14	1-303435	3	Washer-Spring
4	116-9404	1	Fill Sensor ASM	15	109-3648	1	Mount-Switch
4:1	109-3854	1	Fill Sensor Wire Kit	16	103-6067-03	1	Bracket-Drive Motor, LH
4:2	103-8789	2	Flag-Sensor, Fill	17	103-6068-03	1	Bracket-Drive Motor, RH
4:3	3296-9	2	Nut-Hex	18	103-7085-03	1	Plate-Switch
4:4	9107622	2	Screw-Pan	19	321-2	7	Screw-HH
4:5	1-303335	1	Tie-Plastic	20	329-4	3	Screw-HH
5	1-633068	2	Arm-Lift, Deck	21	3250-48	2	Screw-PPH
6	103-5426	2	Stud-Ball	22	3296-2	2	Nut-Lock, NI
7	323-6	2	Screw-HH	23	32105-32	8	Screw-TTH
8	3256-24	6	Washer-Flat	24	32128-33	17	Nut-HF
9	3296-39	4	Nut-Lock, NI	25	103-9121	1	Motor Wiring ASM
10	1-513762	3	Clip-Loom	26	103-6022-03	1	Channel-Frame, Hopper
11	33005-00	2	Nut-HF	27	103-6025	1	Deflector-Grass
12	614672	2	Screw-Shoulder, HWH	28	3229-4	6	Screw-CARR
13	109-0716	1	Damper Kit	29	3296-42	6	Nut-Lock, NI

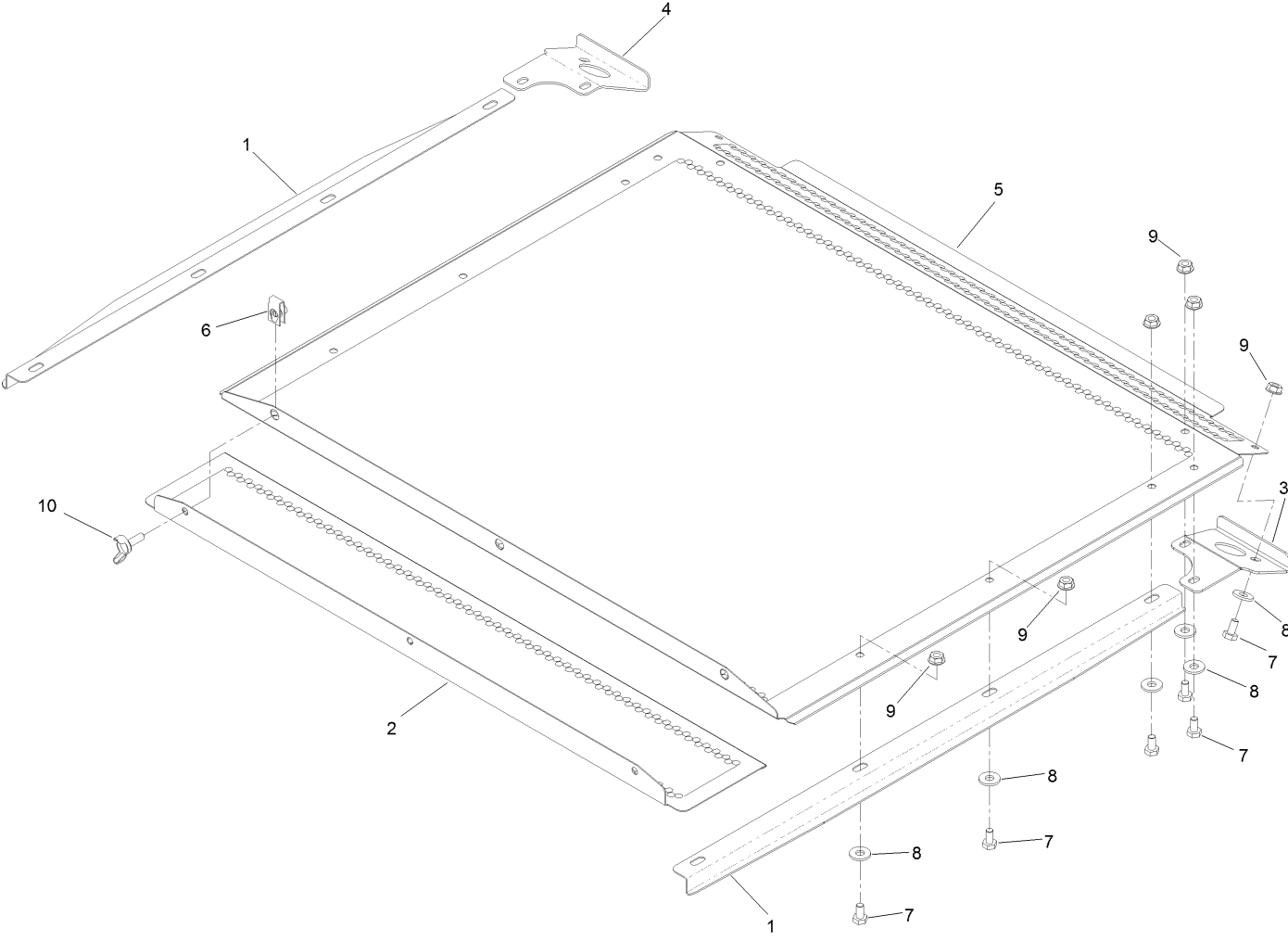
Hopper Assembly No. 130-2872



Hopper Assembly No. 130-2872 (continued)

<i>Ref.</i>	<i>Part Number</i>	<i>Qty.</i>	<i>Description</i>	<i>Ref.</i>	<i>Part Number</i>	<i>Qty.</i>	<i>Description</i>
2	103-5736-03	1	Angle-Screen Track, RH	17	3296-42	5	Nut-Lock, NI
3	103-5045-03	2	Reinforcement-Hopper	18	3256-2	5	Washer-Flat
4	103-5751-03	1	Brace-Door Pivot, RH	19	1-613235	2	Washer
5	103-5749-03	1	Brace-Door Pivot, LH	20	3296-2	2	Nut-Lock, NI
6	103-5774-03	1	Angle-Screen Track, LH	21	32122-30	2	Screw-PTH
7	103-5772-03	1	Bracket-Frame Connect	22	107069	2	Clip
8	103-7035-03	1	Channel-Screen, Front	23	3229-2	4	Screw-CARR
9	109-3650-03	1	Diffuser	24	32105-32	27	Screw-TTH
10	109-0717	1	Hopper Screen ASM	25	103-8800	1	Harness-Wire, Hopper
11	103-8680	1	Deflector-Discharge Chute	26	1-513762	2	Clip-Loom
12	109-4019	2	Plate-Guard	27	103-0205	1	Alarm-Tone, Dual
13	1-543296	1	Grommet	28	130-2885	2	Decal
14	32128-33	33	Nut-HF	29	130-2898-03	2	Plate-Hopper, Side
15	321-2	4	Screw-HH	30	130-8451	20	Rivet-Trifold
16	321-4	5	Screw-HH				

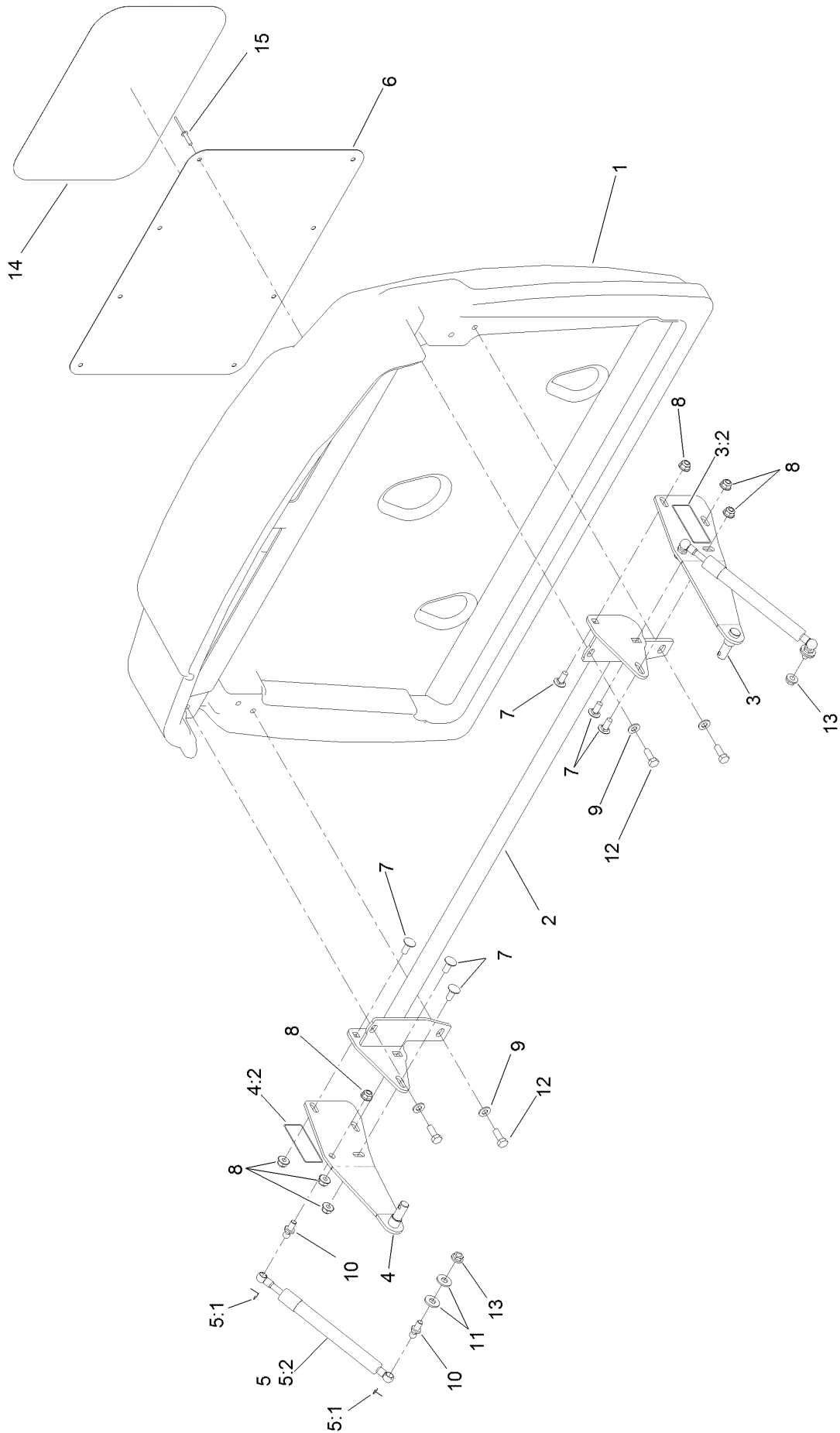
Hopper Screen Assembly No. 109-0717



Hopper Screen Assembly No. 109-0717 (continued)

<i>Ref.</i>	<i>Part Number</i>	<i>Qty.</i>	<i>Description</i>	<i>Ref.</i>	<i>Part Number</i>	<i>Qty.</i>	<i>Description</i>
1	103-8203-03	2	Guide-Screen	6	107069	3	Clip
2	103-7048-03	1	Panel-Screen, Removable	7	321-2	12	Screw-HH
3	103-7098-03	1	Handle-Screen, LH	8	3256-2	12	Washer-Flat
4	103-7099-03	1	Handle-Screen, RH	9	32128-33	12	Nut-HF
5	103-5745-03	1	Panel-Screen, Hopper	10	109-1063	3	Screw-Wing

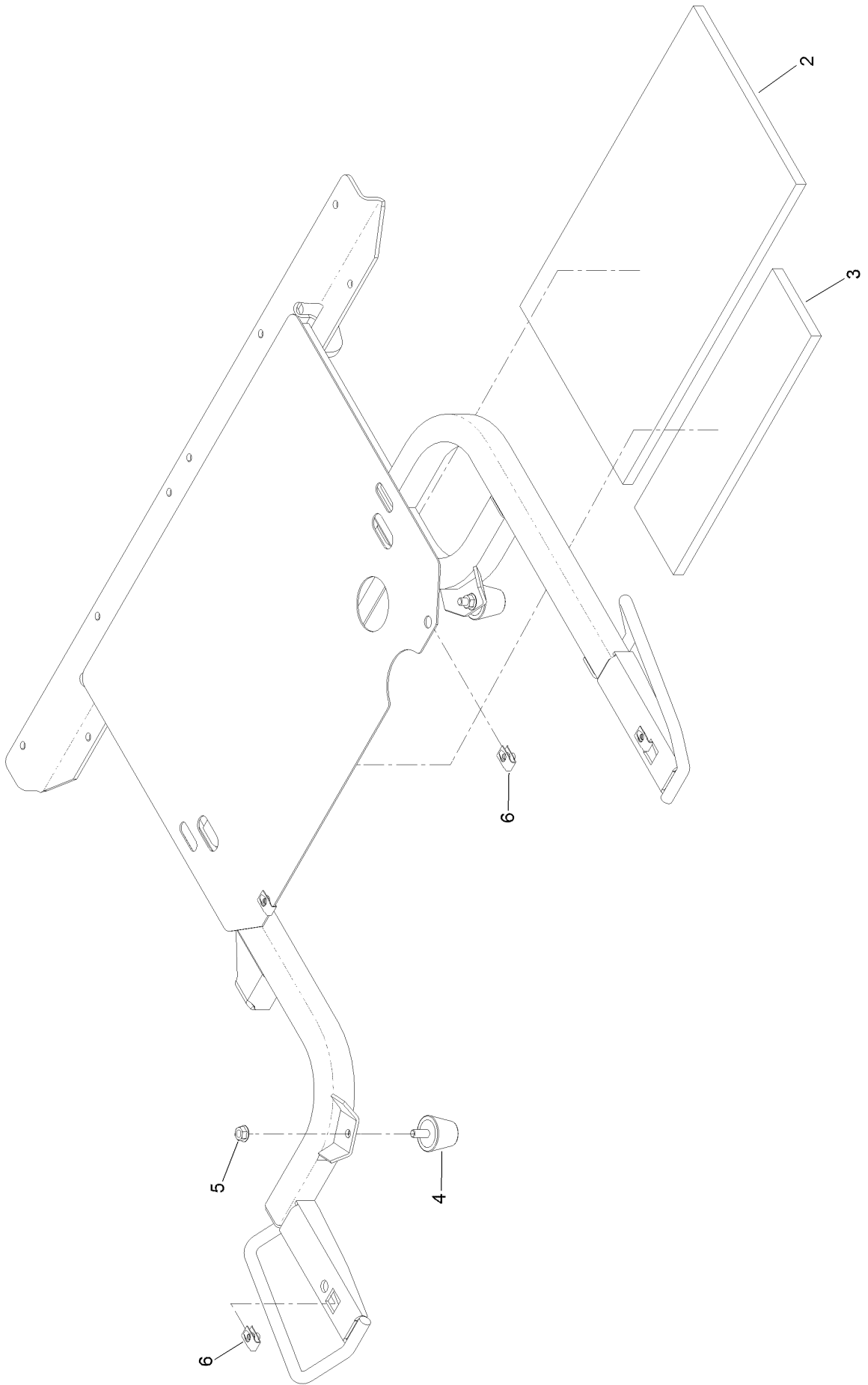
Hopper Door Assembly No. 130-2875



Hopper Door Assembly No. 130-2875 (continued)

<i>Ref.</i>	<i>Part Number</i>	<i>Qty.</i>	<i>Description</i>	<i>Ref.</i>	<i>Part Number</i>	<i>Qty.</i>	<i>Description</i>
1	130-2877	1	Door-Hopper	7	3230-23	6	Screw-CARR
2	109-4153-03	1	Support-Door	8	104-8300	8	Nut-HF, NI
3	109-4253	1	LH Door Pivot ASM	9	3256-23	4	Washer-Plain
3:2	120-0625	1	Decal-Warning	10	103-5752	4	Stud-Ball
4	109-4254	1	RH Door Pivot ASM	11	3256-3	4	Washer-Flat
4:2	120-0625	1	Decal-Warning	12	322-4	4	Screw-HH
5	109-0715	2	Damper Kit	13	32128-20	2	Nut-HF
5:1	103-8324	2	Clip-Retainer	14	130-2886	1	Decal
5:2	103-5746	1	Shock-Gas Tension	15	130-8451	8	Rivet-Trifold
6	130-8450-03	1	Plate-Door, Hopper				

Hopper Frame Assembly No. 109-4086

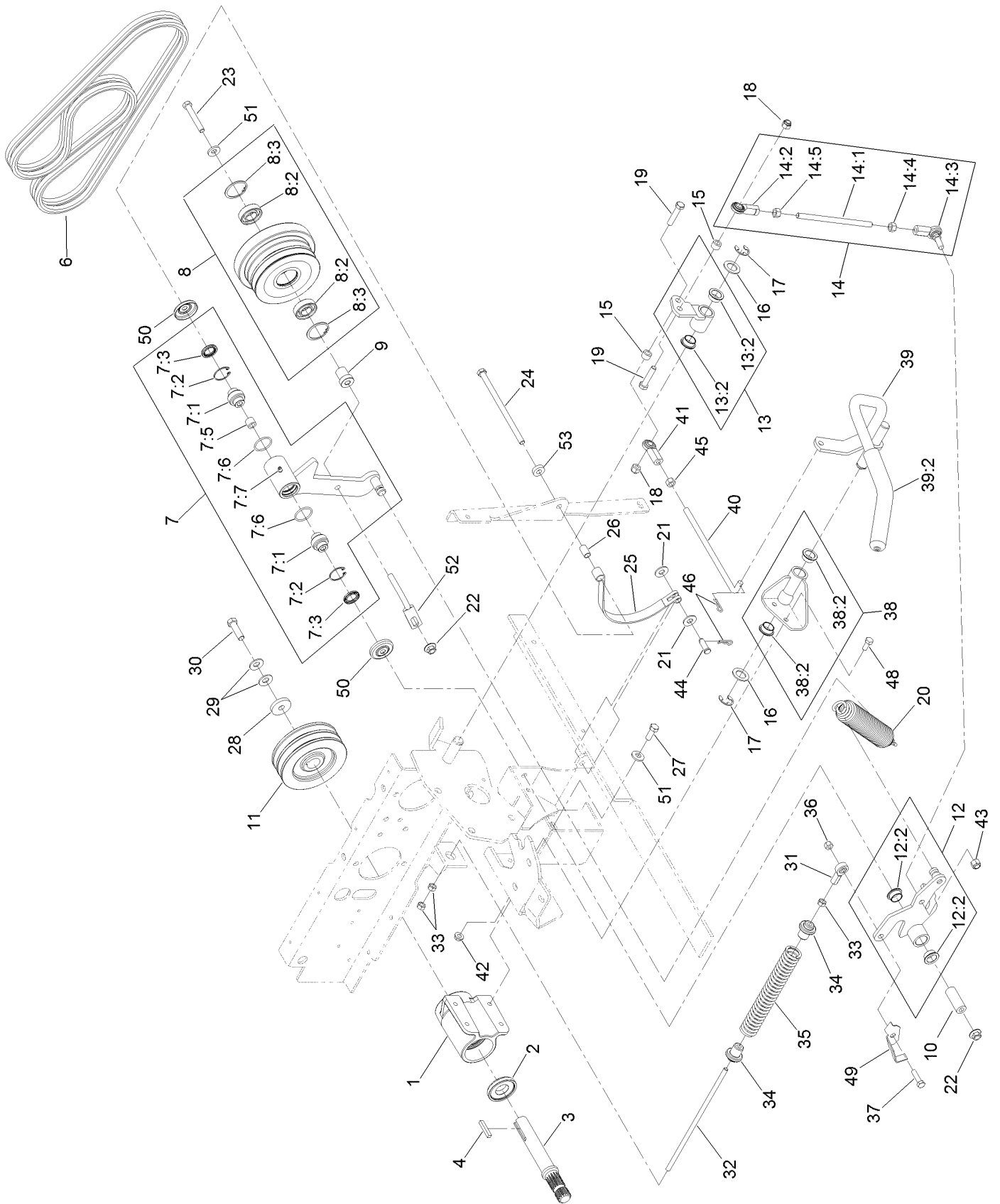


Hopper Frame Assembly No. 109-4086 (continued)

<i>Ref.</i>	<i>Part Number</i>	<i>Qty.</i>	<i>Description</i>
2	103-7824	1	Insulation-Foam Pad, Rear
3	103-7825	1	Insulation-Foam Pad, Front
4	1-543963	2	Bumper-Rubber

<i>Ref.</i>	<i>Part Number</i>	<i>Qty.</i>	<i>Description</i>
5	32128-20	2	Nut-HF
6	107069	4	Clip

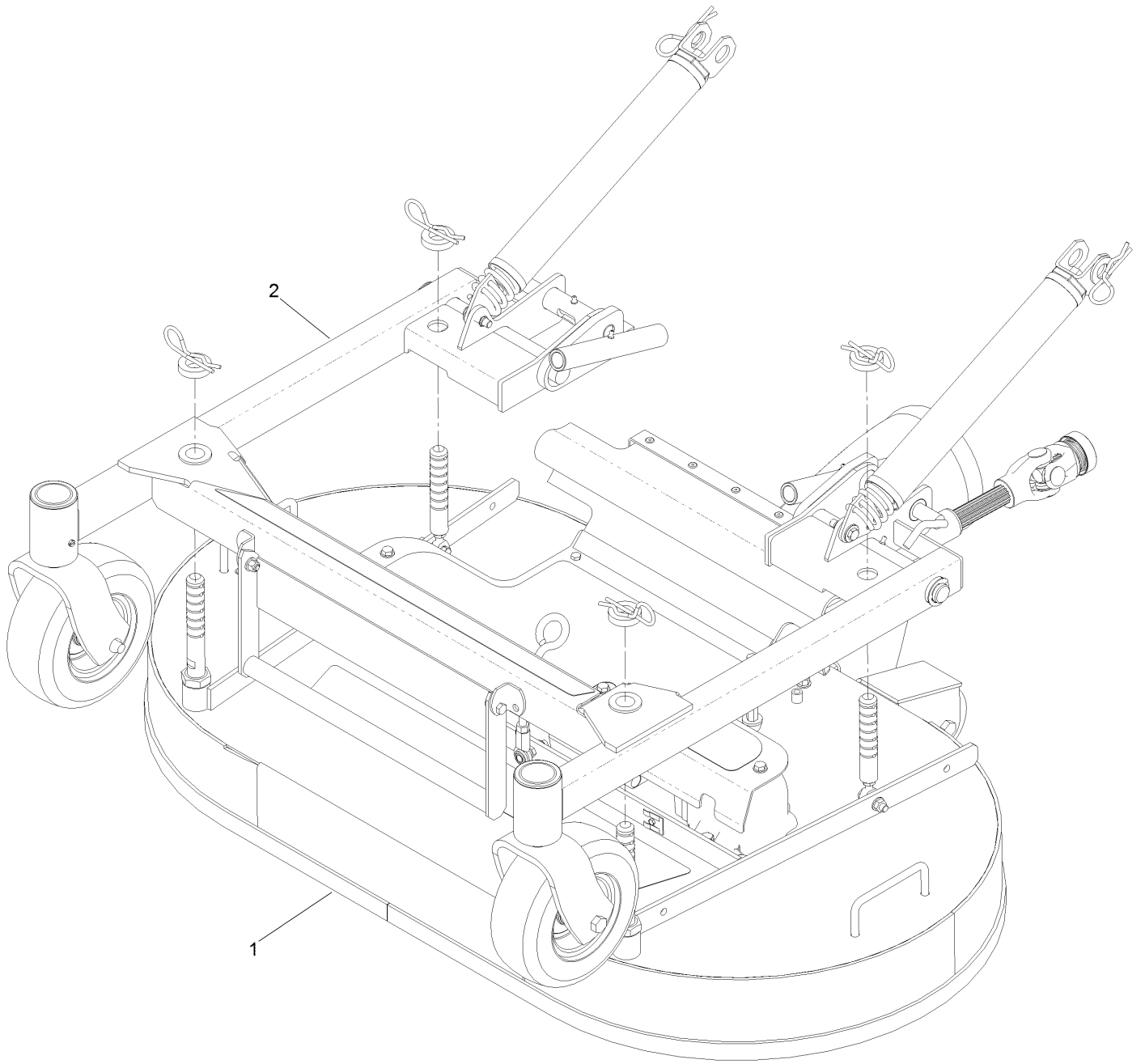
Drive Assembly



Drive Assembly (continued)

<i>Ref.</i>	<i>Part Number</i>	<i>Qty.</i>	<i>Description</i>	<i>Ref.</i>	<i>Part Number</i>	<i>Qty.</i>	<i>Description</i>
1	103-2544	1	Jackshaft ASM	21	3256-4	2	Washer-Flat
2	103-2535	1	Spacer-Guard, Bottom	22	32128-19	2	Nut-HF Lock, Large Flg
3	103-6735	1	Jackshaft	23	323-12	1	Screw-HH
4	67-7490	1	Key-Square	24	323-36	1	Screw-HH
6	130-2870	1	Belts-Pair, Matched	25	103-7697	1	Band-Brake
7	103-8253	1	Idler Pivot ASM	26	103-9816	1	Spacer
7:1	103-3504	2	Bearing-Spherical	27	323-6	4	Screw-HH
7:2	32120-10	2	Ring-Snap	28	1-543610	1	Washer-Clutch
7:3	103-3506	2	Seal-Lip, Single	29	1-603610	2	Washer-Spring
7:5	1-413088	1	Bushing-Lever, Lift	30	3212-6	1	Screw-HH
7:6	106-7159	2	O-Ring	31	1-543017	1	Balljoint-RH
7:7	302-19	1	Fitting-Grease	32	103-7996	1	Linkage-Rod, PTO Brake
8	103-9439	1	Idler Sheave ASM	33	3219-2	3	Nut-Hex
8:2	251-347	2	Bearing-Ball	34	103-8254	2	Bushing-Spring
8:3	32151-13	2	Ring-Retaining	35	103-7997	1	Spring-Brake
9	103-7350	1	Spacer-Idler	36	3296-29	1	Nut-Lock, NI
10	103-7382	1	Bushing	37	322-6	1	Screw-HH
11	103-6732	1	Sheave	38	103-9295	1	Pivot ASM
12	103-9296	1	Arm ASM	38:2	108519	2	Bushing-Bronze
12:2	108519	2	Bushing-Bronze	39	103-9486	1	PTO Handle ASM
13	103-9297	1	Arm ASM	39:2	103-8153	1	Grip-Lever, Control
13:2	108519	2	Bushing-Bronze	40	103-8277	1	Link-Handle
14	103-7392	1	Clutch Link ASM	41	103-0608	1	Joint-Ball, End
14:1	103-7393	1	Rod-Linkage	42	32128-20	2	Nut-HF
14:2	103-1167	1	Joint-Ball End, LH	43	3296-6	1	Nut-Lock
14:3	103-7994	1	Balljoint-RH	44	283-2	1	Pin-Clevis
14:4	3219-3	1	Nut-Hex	45	3219-3	1	Nut-Hex
14:5	3219-20	1	Nut-Hex, LH	46	1-806003	2	Pin-Cotter
15	92-9025	2	Spacer	48	322-3	2	Screw-HH
16	1-303007	2	Washer	49	103-8716-03	1	Switch-Flag
17	32151-48	2	E-Ring	50	103-2916	2	Guard-Top
18	3296-39	2	Nut-Lock, NI	51	98-5975	5	Washer-Belleville
19	323-9	2	Screw-HH	52	109-5491	1	Guide-Belt
20	109-0148	1	Spring-Extension	53	5-0652	1	Spacer

Deck Mounting Assembly

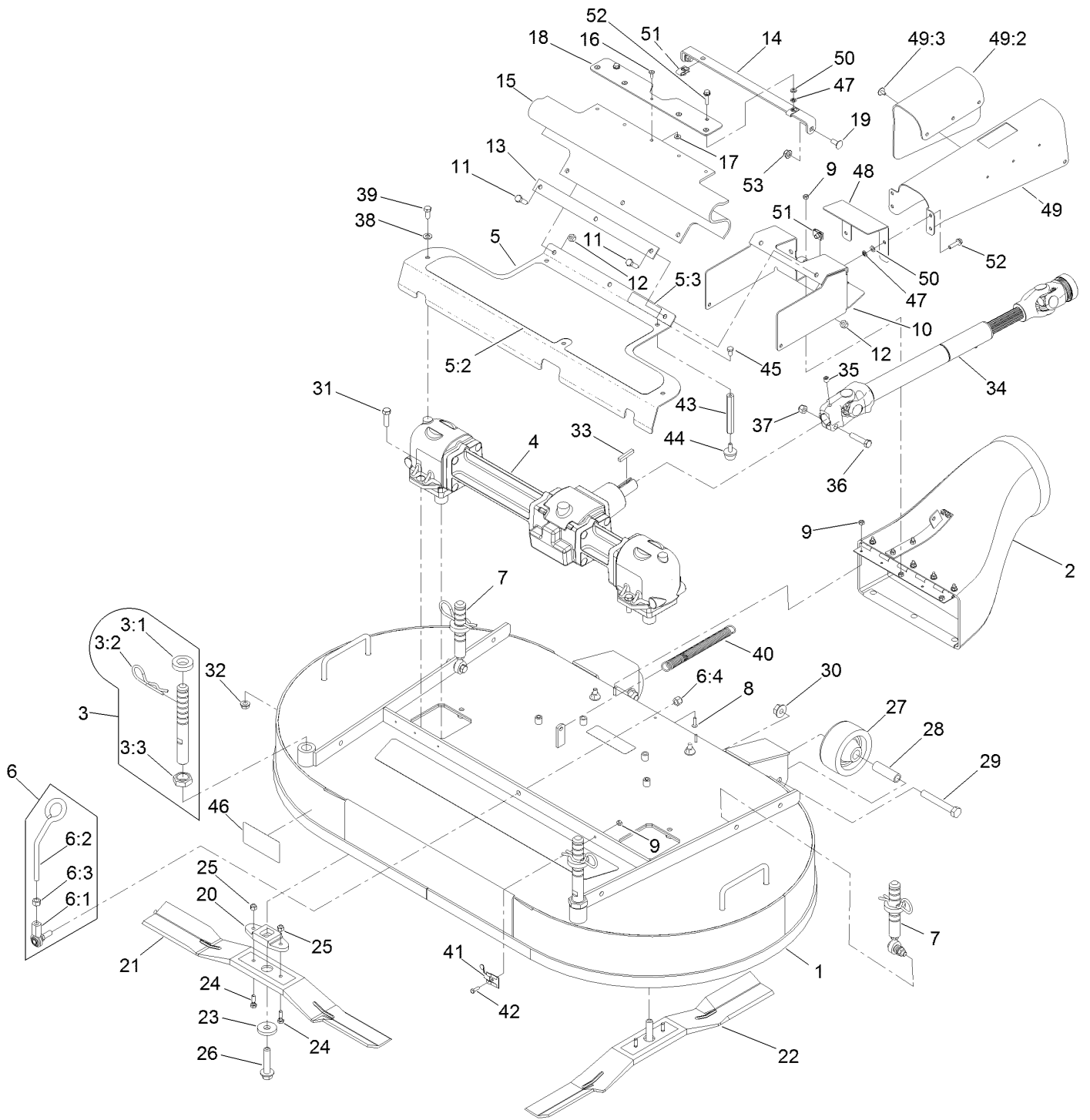


Deck Mounting Assembly (continued)

<i>Ref.</i>	<i>Part Number</i>	<i>Qty.</i>	<i>Description</i>
1		1	Deck ASM ●
2	130-2893	1	Deck Support Frame ASM

● Not serviced separately

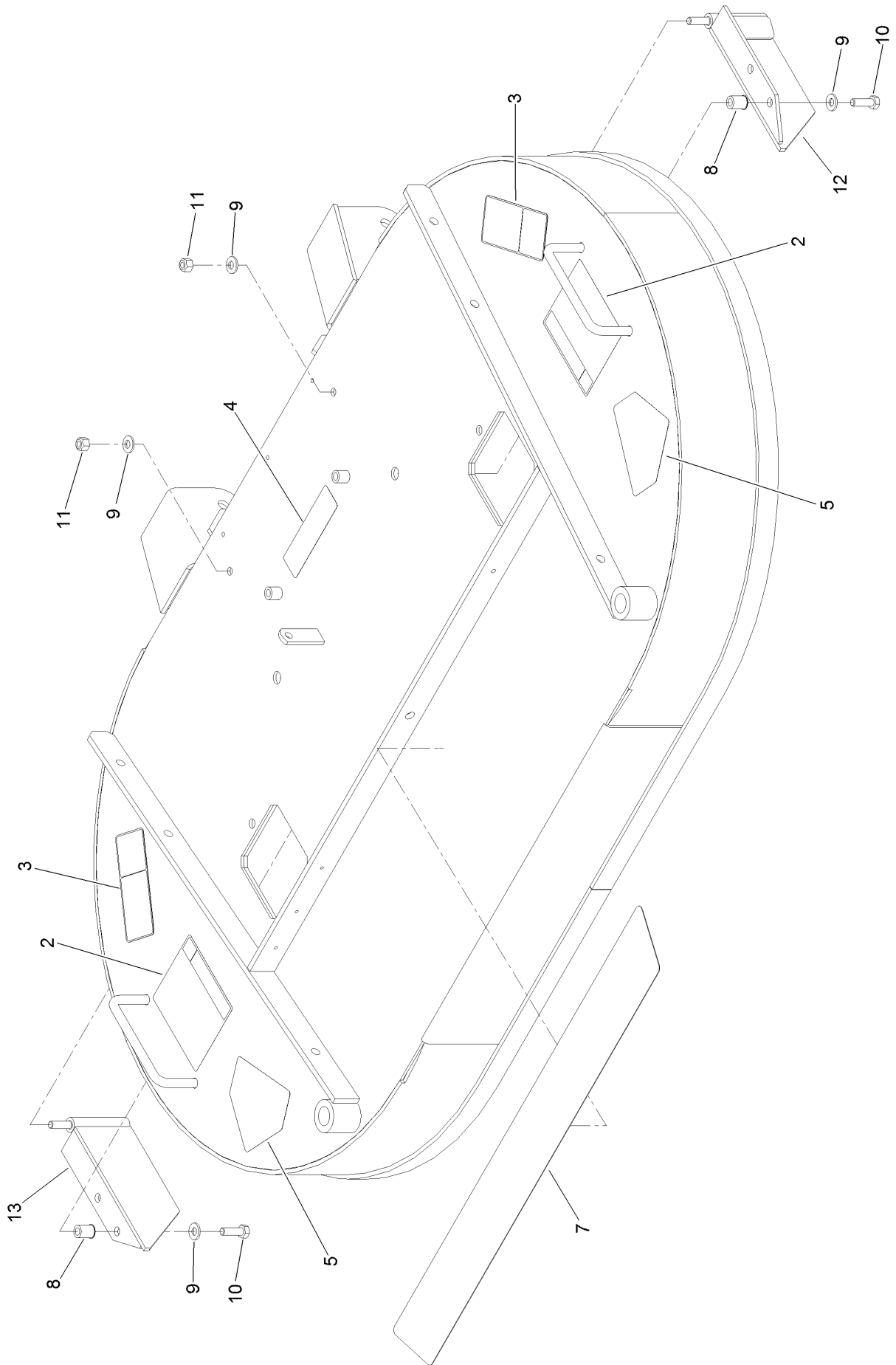
Deck Assembly



Deck Assembly (continued)

<i>Ref.</i>	<i>Part Number</i>	<i>Qty.</i>	<i>Description</i>	<i>Ref.</i>	<i>Part Number</i>	<i>Qty.</i>	<i>Description</i>
1	109-4372	1	Deck Decal And Baffle ASM	23	30-8770	2	Washer
2	103-9487	1	Discharge Tube ASM	24	99-0283	4	Bolt-Shear
3	109-0321	2	Front Deck Height Adjust ASM	25	3296-42	4	Nut-Lock, NI
3:1	1-413425	1	Spacer-Deck Support	26	92-5816	2	Bolt-Blade
3:2	103-7353	1	Pin-Cut Height	27	103-3700	2	Roller-Deck
3:3	103-8496	1	Nut-Jam	28	103-4230	2	Spacer-Roller
4	103-3387	1	Gear Box ASM	29	325-14	2	Screw-HH
5	130-2899	1	Gearbox Cover ASM	30	32128-49	2	Nut-HHF
5:2	103-8629	1	Pad-Anti Skid	31	323-7	4	Screw-HH
5:3	119-0217	1	Decal-Danger	32	3290-357	4	Nut-HHF, Whiz
6	103-8363	1	Deck Latch ASM	33	67-7490	1	Key-Square
6:1	103-7994	1	Balljoint-RH	34	103-9485	1	Drive Shaft ASM
6:2	103-8307	1	Latch-Deck	35	3247-2	1	Screw-Set, HSH
6:3	3219-3	1	Nut-Hex	36	323-9	1	Screw-HH
6:4	3296-6	1	Nut-Lock	37	3296-39	1	Nut-Lock, NI
7	109-0323	2	Rear Deck Height Adjust ASM	38	3256-23	3	Washer-Plain
8	1-803075	3	Screw-Head, Truss	39	322-3	3	Screw-HH
9	3296-2	6	Nut-Lock, NI	40	103-8841	1	Spring-Extension
10	133-1870-01	1	Guard-PTO, Front	41	1-513690	1	Clip-Deck, Hold Up Rod
11	322-5	3	Screw-HH	42	3290-134	1	Screw
12	3296-29	3	Nut-Lock, NI	43	103-8610	2	Stand-Off
13	103-6290-03	1	Strap-Drive, Line Cover	44	1-523420	2	Bumper
14	136-1661-03	1	Mount-Guard	45	321-2	2	Screw-HH
15	103-5979	1	Guard-PTO	46	130-2887	1	Decal
16	114439	5	Rivet-Blind	47	106-8737	6	Nut-Retainer
17	3256-14	5	Washer-Flat	48	133-1871-01	1	Guard-PTO
18	136-1660-03	1	Plate-Guard	49	133-1877	1	PTO Guard ASM
19	3230-23	2	Screw-CARR	49:2	133-1883	1	Flap-Rubber
20	103-7705	2	Driver-Blade	49:3	1-803035	6	Rivet-Pop
21	130-2862	1	Blade-25In, RH	50	3256-60	6	Washer-Flat
22	130-2861	1	Blade-25In, LH	51	107069	6	Clip
				52	120-4654	6	Screw-HHF
				53	104-8300	2	Nut-HF, NI

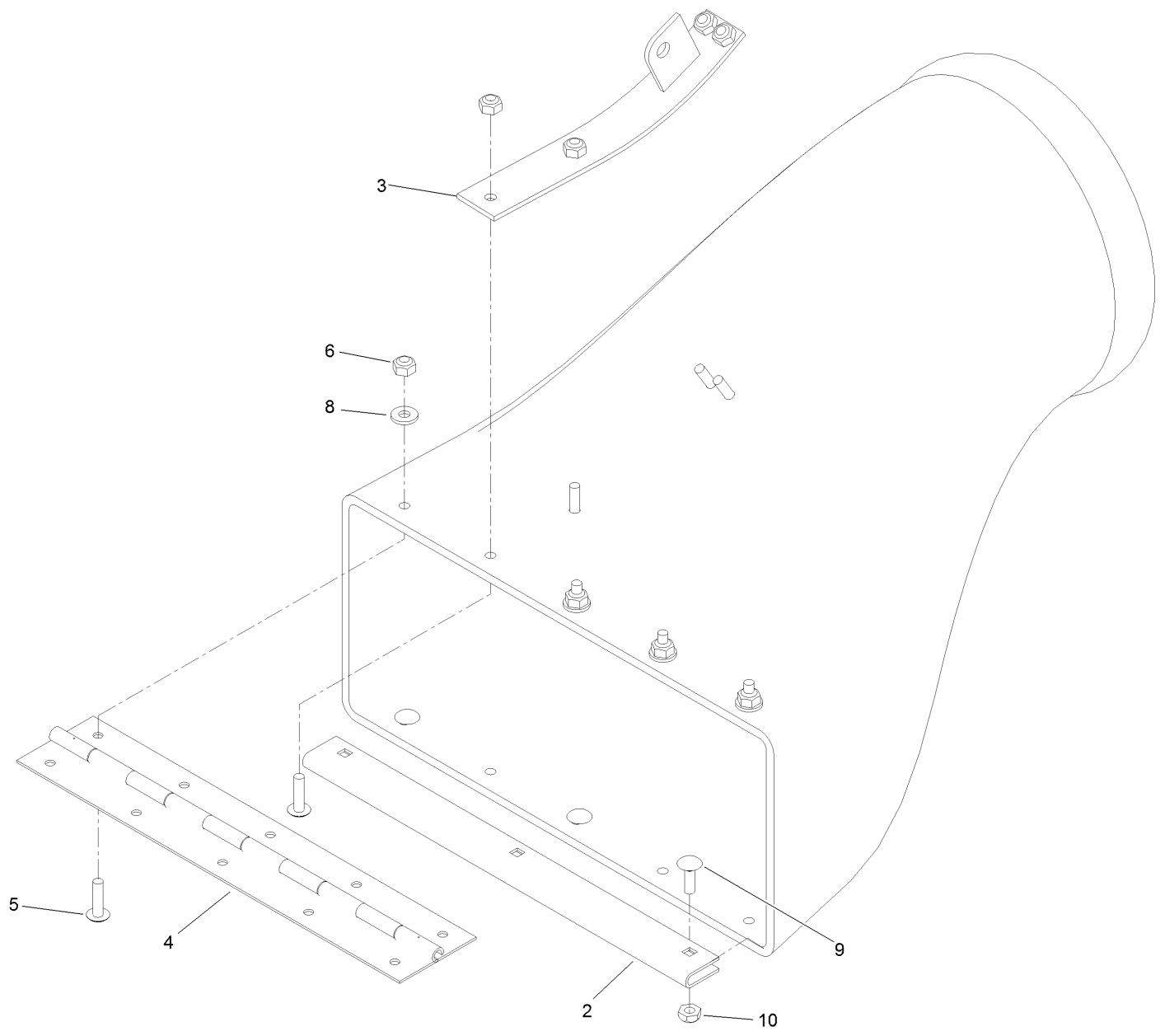
Deck Decal Assembly No. 109-4372



Deck Decal Assembly No. 109-4372 (continued)

<i>Ref.</i>	<i>Part Number</i>	<i>Qty.</i>	<i>Description</i>	<i>Ref.</i>	<i>Part Number</i>	<i>Qty.</i>	<i>Description</i>
2	116-8934	2	Decal-Height Adjust, Cutting	9	1-303334	4	Washer-Spring
3	93-7818	2	Decal-Torque, Blade Bolt	10	322-5	2	Screw-HH
4	112-9028	1	Decal-Cover, Missing	11	3296-29	2	Nut-Lock, NI
5	112-8760	2	Decal-Danger	12	109-4053-01	1	Baffle-LH
7	103-8630	1	Pad-Anti Skid	13	109-4054-01	1	Baffle-RH
8	32148-7	4	Nut-Clinch				

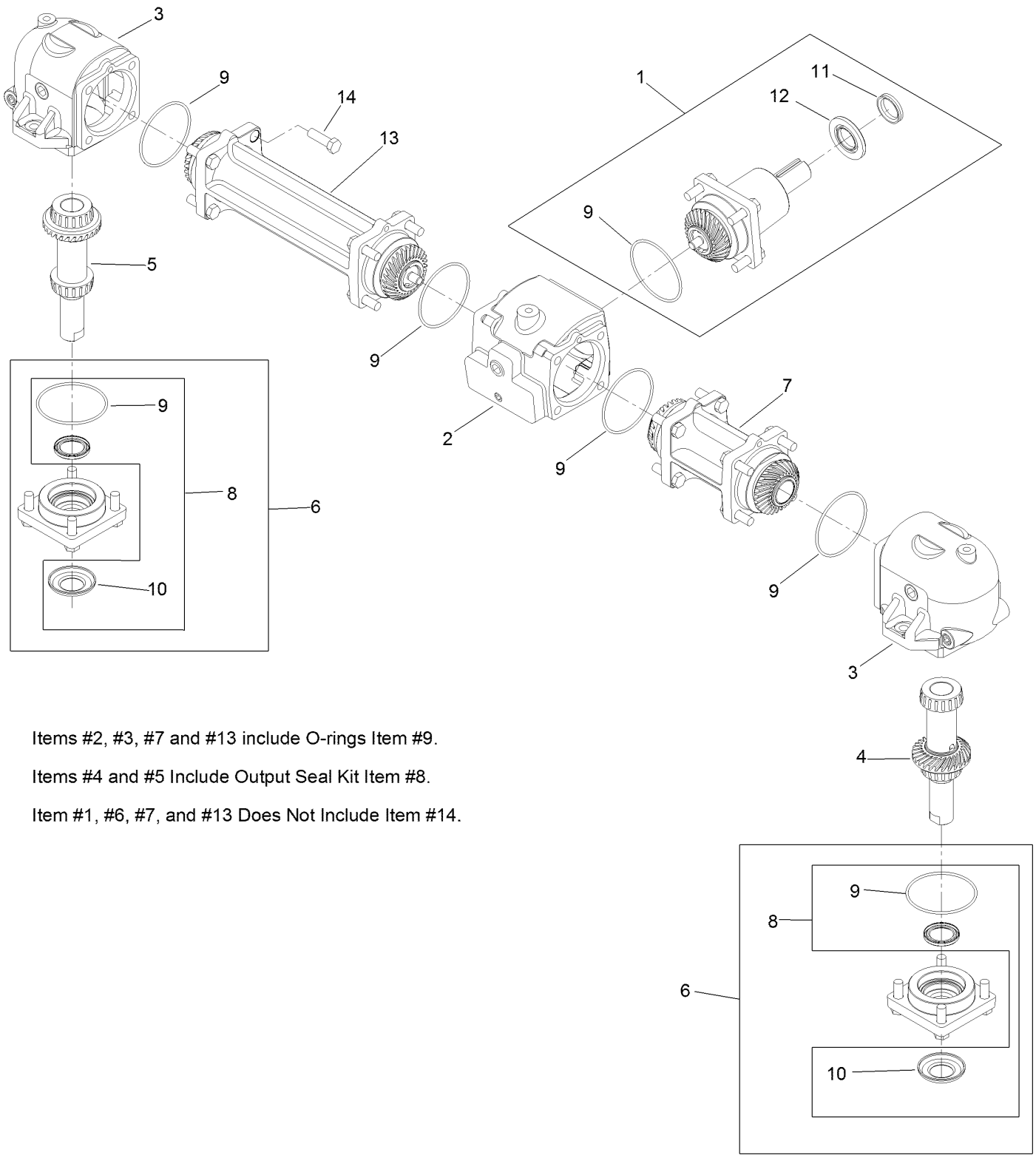
Discharge Tube Assembly No. 103-9487



Discharge Tube Assembly No. 103-9487 (continued)

<i>Ref.</i>	<i>Part Number</i>	<i>Qty.</i>	<i>Description</i>	<i>Ref.</i>	<i>Part Number</i>	<i>Qty.</i>	<i>Description</i>
2	109-2228-03	1	Guard-Plenum	6	3296-2	8	Nut-Lock, NI
3	103-5868-01	1	Mount-Spring	8	3256-14	4	Washer-Flat
4	103-4974	1	Hinge-Piano	9	1-807533	3	Bolt-CARR
5	1-803075	8	Screw-Head, Truss	10	3296-12	3	Nut-Lock, NI

Gearbox Assembly No. 103-3387



Items #2, #3, #7 and #13 include O-rings Item #9.

Items #4 and #5 Include Output Seal Kit Item #8.

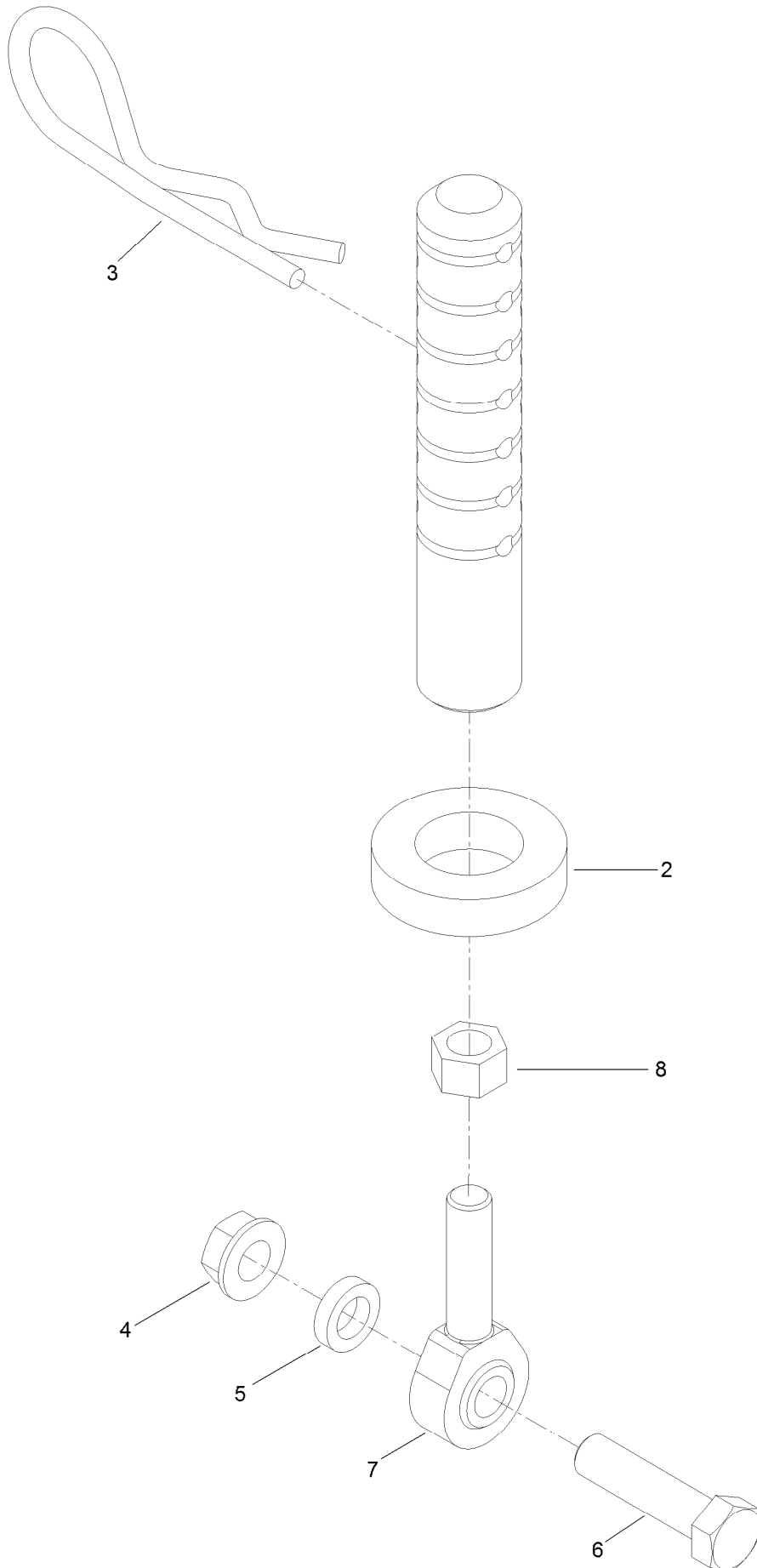
Item #1, #6, #7, and #13 Does Not Include Item #14.

Gearbox Assembly No. 103-3387 (continued)

<i>Ref.</i>	<i>Part Number</i>	<i>Qty.</i>	<i>Description</i>	<i>Ref.</i>	<i>Part Number</i>	<i>Qty.</i>	<i>Description</i>
1	109-0189	1	Pinion-Input	8	109-0201	1	Output Seal Kit
2	109-0190	1	Housing-Center	9	109-0203	1	Seal-O-Ring
3	109-0191	1	Housing-End	10	109-0204	1	Washer-Cupped
4	109-0193	1	Output Shaft And Gear-LH	11	109-0205	1	Seal-V-Ring ●
5	109-0195	1	Output Shaft And Gear-RH	12	109-0202	1	Seal-Input ●
6	109-0196	1	Cap-Output	13	109-0200	1	Connector-Tube, Long
7	109-0198	1	Tube-Connector, Shor	14	93-3987	28	Bolt-Blade

● Apply bead of Mobil HTS grease (P/N 103-5217 1.5 oz packet) (or a food-grade anti-seize) between input seal and v-ring.

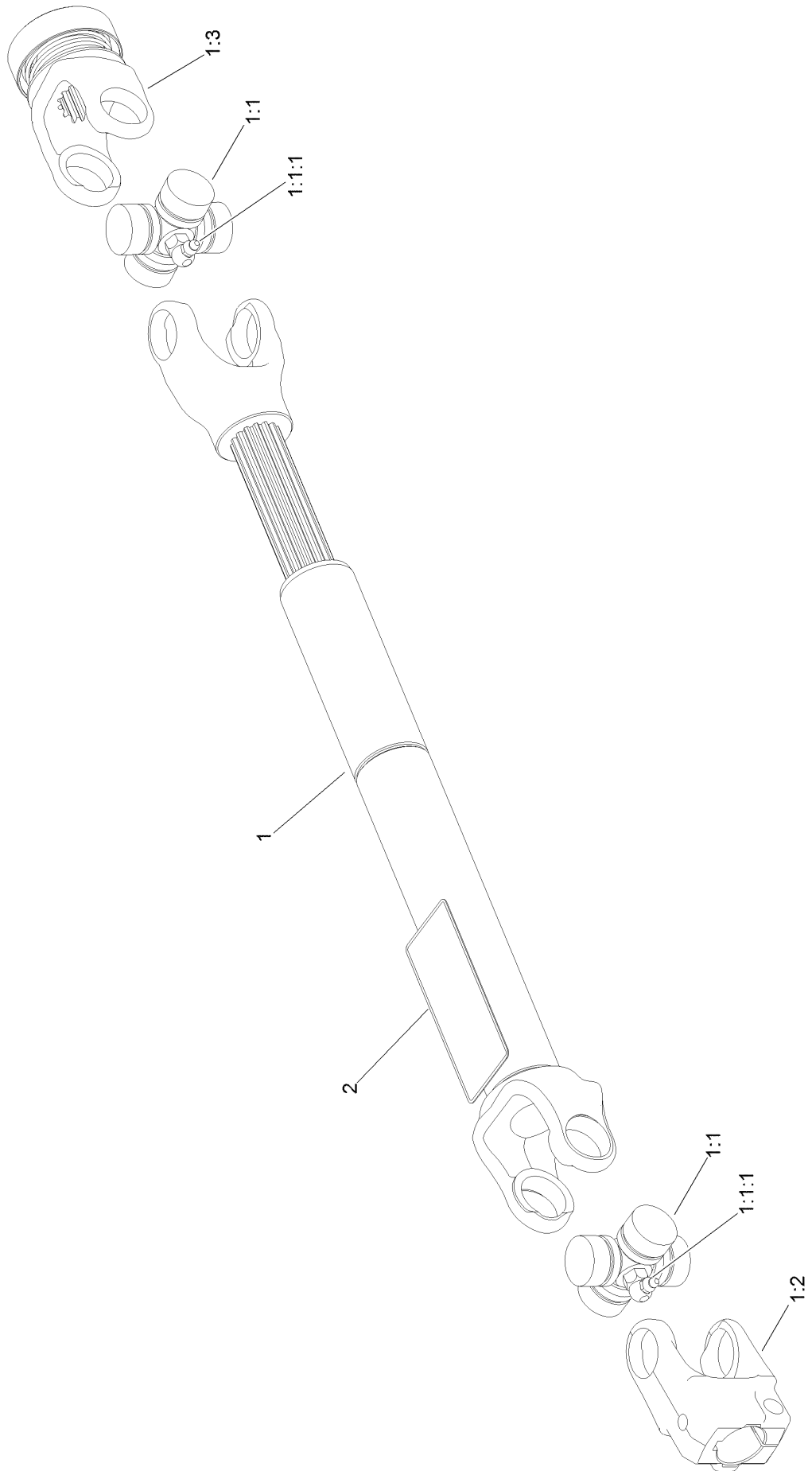
Rear Deck Height Adjustment Assembly No. 109-0323



Rear Deck Height Adjustment Assembly No. 109-0323 (continued)

<i>Ref.</i>	<i>Part Number</i>	<i>Qty.</i>	<i>Description</i>	<i>Ref.</i>	<i>Part Number</i>	<i>Qty.</i>	<i>Description</i>
2	1-413425	1	Spacer-Deck Support	6	323-8	1	Screw-HH
3	103-7353	1	Pin-Cut Height	7	1-613204	1	Balljoint
4	3290-357	1	Nut-HHF, Whiz	8	3220-3	1	Nut-HJ
5	106-5597	1	Spacer-Idler				

Drive Shaft Assembly No. 103-9485

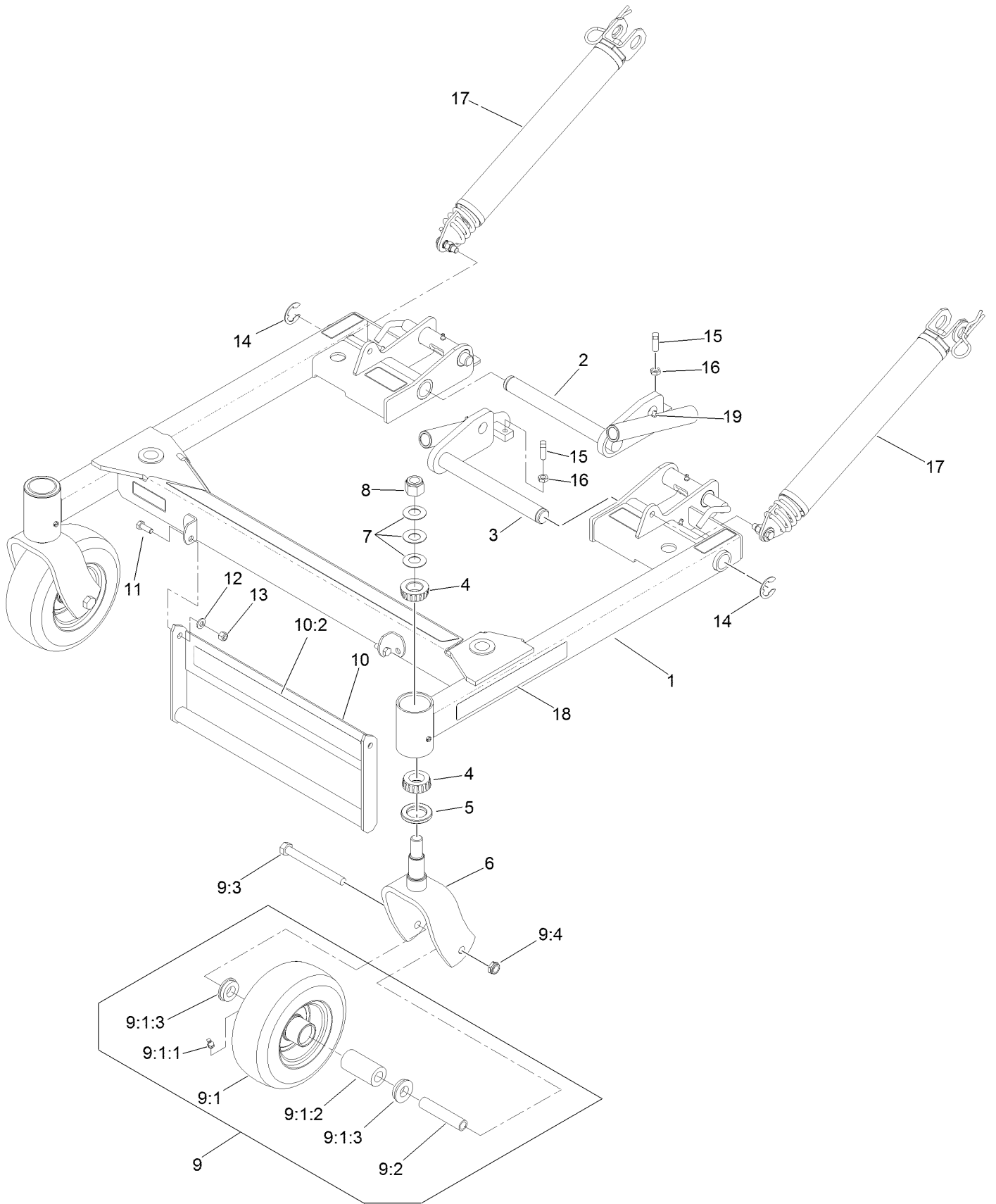


Drive Shaft Assembly No. 103-9485 (continued)

<i>Ref.</i>	<i>Part Number</i>	<i>Qty.</i>	<i>Description</i>	<i>Ref.</i>	<i>Part Number</i>	<i>Qty.</i>	<i>Description</i>
1		1	Drive Shaft-Telescoping ●	1:2	103-9328	1	Yoke-Keyed
1:1	54-9180	2	U-Joint Kit	1:3	103-9329	1	Yoke-Quick Disconnect
1:1:1	62-3820	1	Fitting-Grease	2	116-9049	1	Decal-Danger, Driveline

● Not serviced separately

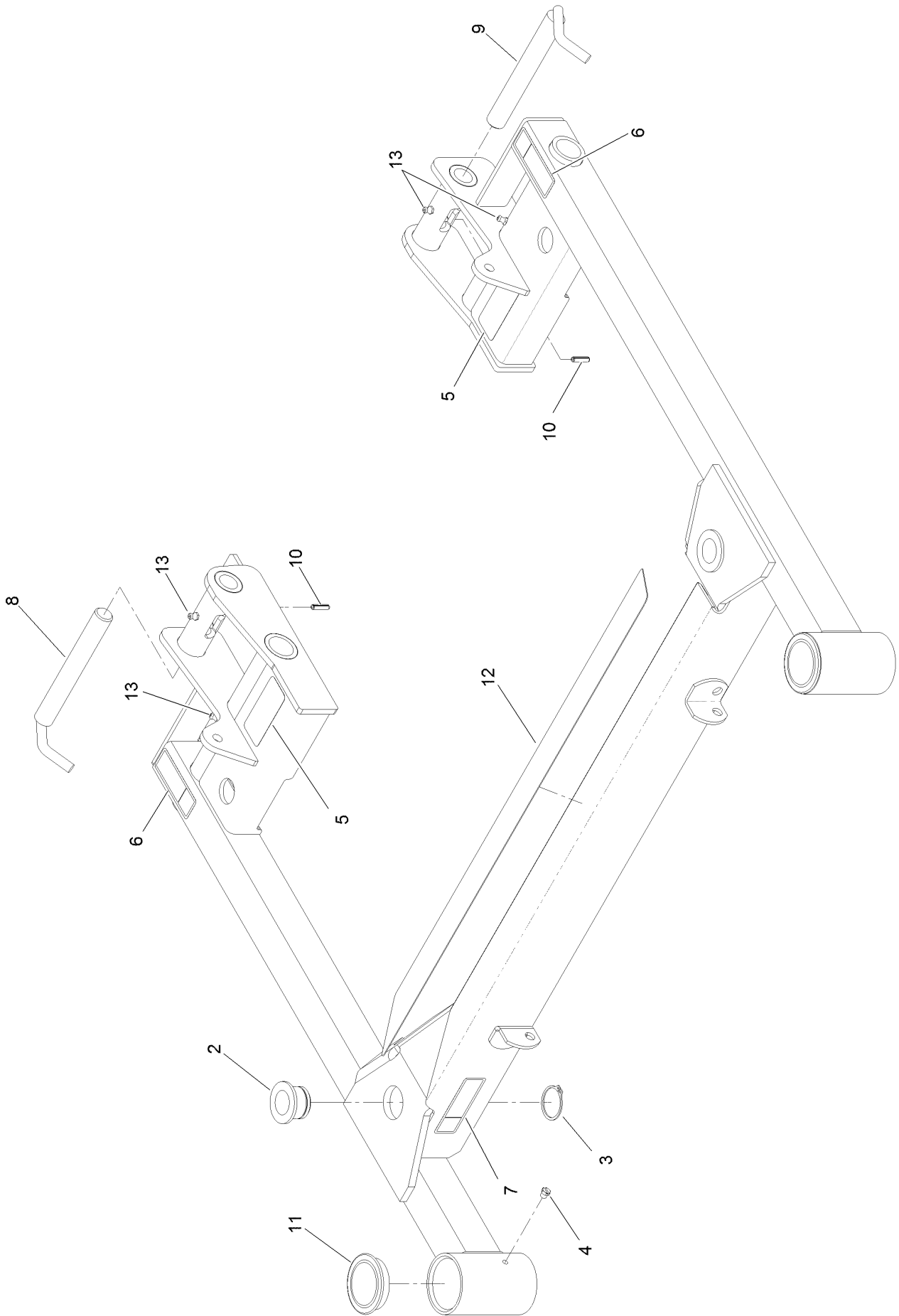
Deck Support Frame Assembly No. 130-2893



Deck Support Frame Assembly No. 130-2893 (continued)

<i>Ref.</i>	<i>Part Number</i>	<i>Qty.</i>	<i>Description</i>	<i>Ref.</i>	<i>Part Number</i>	<i>Qty.</i>	<i>Description</i>
1	103-9480	1	Deck Support ASM	9:3	325-19	1	Screw-HH
2	103-3729-01	1	Pivot-Deck, RH	9:4	3296-45	1	Nut-Hex
3	103-3732-01	1	Pivot-Deck, LH	10	130-2897	1	Deck Lift Handle ASM
4	1-543509	4	Bearing-Roller, Tapered	10:2	130-2883	1	Decal
5	1-543511	2	Seal-Grease	11	322-4	2	Screw-HH
6	109-1933-01	2	Fork-Caster	12	1-303334	2	Washer-Spring
7	1-633508	6	Washer-Bellville	13	3296-29	2	Nut-Lock, NI
8	3296-51	2	Nut-Lock, NI	14	1-808519	2	Ring-Snap
9	130-2867	2	Wheel And Axle ASM	15	3243-5	2	Screw-Set, SQH
9:1	130-2866	1	Wheel And Tire	16	3218-3	2	Nut-Jam
9:1:1	302-61	1	Fitting-Grease	17	116-7851	2	Lift Assist Spring ASM
9:1:2	103-4588	1	Bearing-Roller, Straight	18	130-2884	2	Decal
9:1:3	1-513810	2	Bushing	19	302-19	2	Fitting-Grease
9:2	109-2094	1	Spacer-Caster, Front				

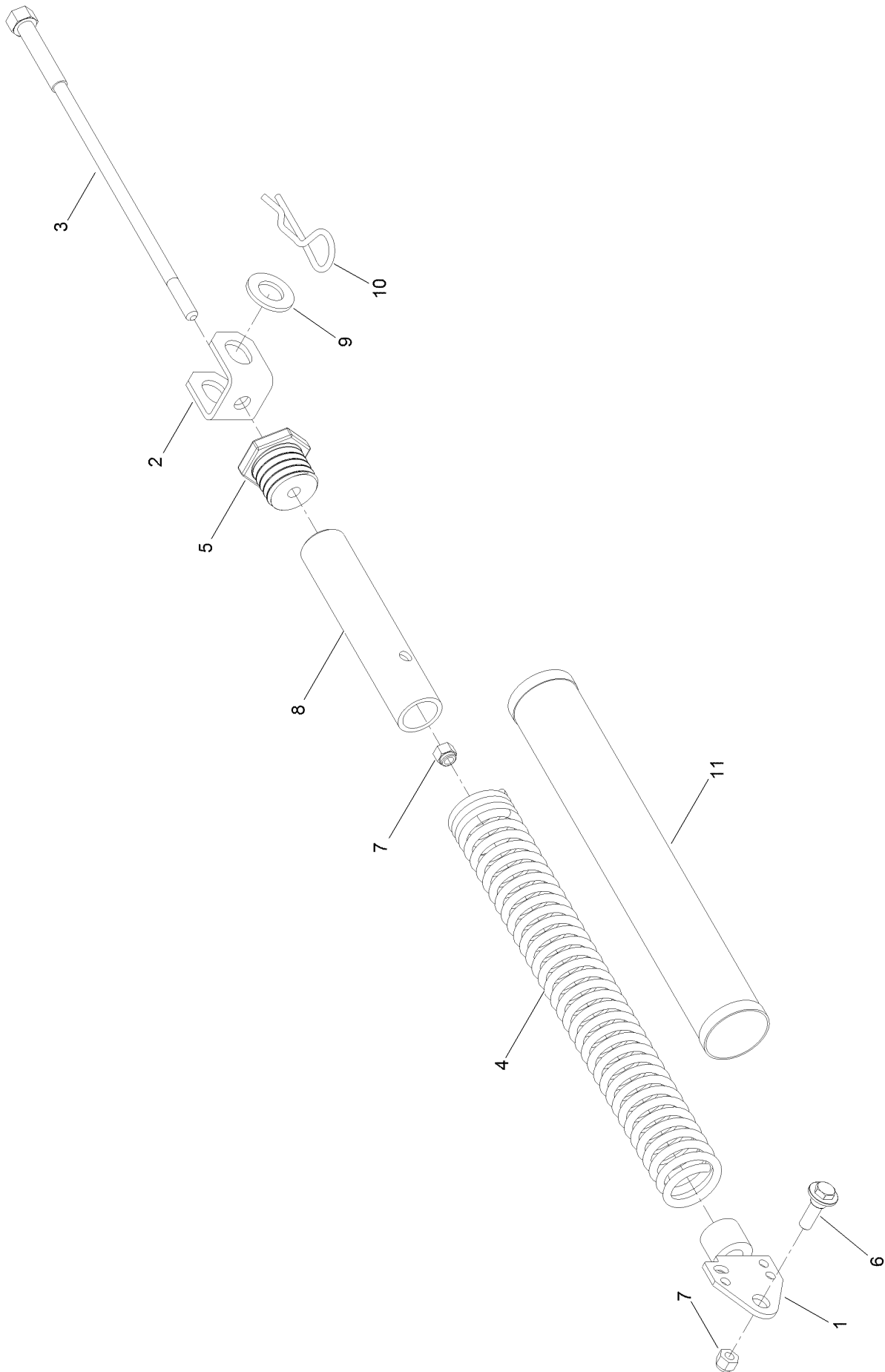
Deck Support W/Decals Assembly No. 103-9480



Deck Support W/Decals Assembly No. 103-9480 (continued)

<i>Ref.</i>	<i>Part Number</i>	<i>Qty.</i>	<i>Description</i>	<i>Ref.</i>	<i>Part Number</i>	<i>Qty.</i>	<i>Description</i>
2	103-7436	2	Bushing-Support, Deck	8	103-4119	1	Lock-Deck, RH
3	32120-33	2	Ring-Retaining	9	103-4118	1	Lock-Deck, LH
4	1-811010	2	Plug	10	32121-3	2	Pin-Spring
5	93-6696	2	Decal-Warning	11	103-4882	2	Cap-Grease
6	116-8935	2	Decal-Warning, Folding Deck	12	103-8630	1	Pad-Anti Skid
7	116-8936	1	Decal-Danger	13	302-19	4	Fitting-Grease

Spring Lift Assist Assembly No. 116-7851



Spring Lift Assist Assembly No. 116-7851 (continued)

<i>Ref.</i>	<i>Part Number</i>	<i>Qty.</i>	<i>Description</i>	<i>Ref.</i>	<i>Part Number</i>	<i>Qty.</i>	<i>Description</i>
1	103-4284	1	Tensioner-Spring	7	3296-39	2	Nut-Lock, NI
2	103-4285	1	Mount-Lift Assist, Deck	8	103-7865	1	Spring-Tube
3	103-3773	1	Shaft-Adjustment, Spring	9	3256-28	1	Washer-Flat
4	103-4281	1	Spring-Extension	10	103-7353	1	Pin-Cut Height
5	103-3772	1	Plug-Adjuster, Spring	11	103-7971	1	Cover-Spring, Deck
6	614672	1	Screw-Shoulder, HWH				

Attachments and Accessories

For 74311TE Z Master 8000 Series Riding Mower with 122cm Cutting Unit

Product Name	Model/Part
Hypr-Oil 500 (quart)	114-4713
Hypr-Oil 500 (gallon).....	114-4714
Hypr-Oil 500-5 (5 gallon).....	114-4715
ROPS Pin Kit	126-1339
ROPS Kit	130-8459
48in Mulch Kit	130-8463
25in LH Mulching Blade	130-8464
25in DH Mulching Blade	130-8465
MVP Kit.....	130-8468

Notes:



Count on it.