



Count on it.

Parts Catalog

GrandStand® Mower

With 102cm TURBO FORCE® Cutting Unit

Model No. 74536TE—Serial No. 404600000 and Up



Ordering Replacement Parts

To order replacement parts, please supply the part number, the quantity, and the description of each part desired.

Understanding Reference Numbers

Each identified part in an illustration has a reference number. The reference number for a part also appears in the parts list, along with other information about the part.

This catalog uses two special reference number formats, one to indicate parts in a service assembly and another to indicate the quantity of a given part in an illustration.

Service Assembly Reference Numbers

Parts in service assemblies have reference numbers in the form a:b. The a represents the reference number of the entire service assembly and the b represents a sequential number unique to each part within the service assembly.

For example, a wheel assembly might be identified by reference number 6, the tire by 6:1, the valve by 6:2, and the wheel by 6:3. When you order the assembly identified by reference number 6, you receive all parts identified by reference numbers 6:1, 6:2, and 6:3. However, you may also order any part individually. Reference numbers of this type appear in illustration and in parts lists.

Reference Numbers Indicating Quantity

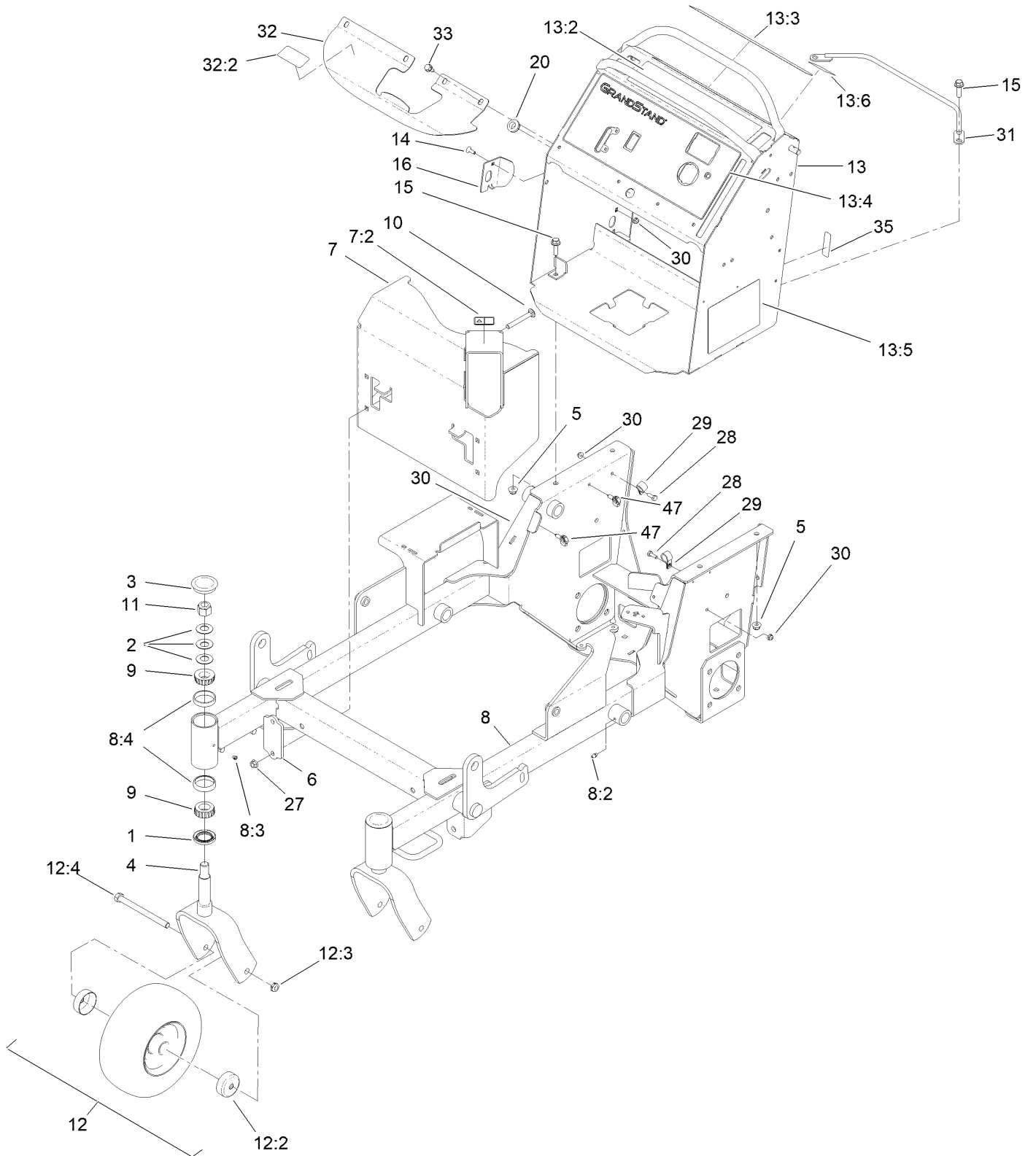
In an illustration, if a reference number indicates more than one part, the reference number has the form nX y. The n represents the quantity of the part, the X is the multiplication symbol, and the y represents the reference number.

For example, in an illustration, the reference number 2X 37 means that two of the parts identified by reference number 37 are indicated.

Contents

Main Frame Assembly	4
Wheel and Bearing Assembly	6
Parking Brake Assembly	8
Height-of-Cut Plate Assembly	10
Deck Lift Assembly	12
Deck Lift Spring Assembly No. 119-2338	14
Cushion and Platform Assembly	16
Cushion Assembly No. 130-1767	18
Platform Assembly No. 132-9402	20
Traction Drive Assembly	22
Hydraulic Motor Assembly 104-1171	24
Hydraulic Pump Assembly No. 119-0176	26
Hydraulic Pump Assembly No. 119-0177	28
Pump Idler Assembly No. 117-7685	30
Motion Control Assembly	32
Engine Assembly	34
Fuel Tank Assembly	36
Vent Hose Assembly	38
Electrical Assembly	40
Deck Assembly	42
Deflector Assembly No. 119-2347	44
Spindle Assembly No. 117-7635	46
Spindle Assembly No. 117-7636	48
Spindle Assembly No. 117-7640	50
Deck Decal Assembly No. 121-6020	52
Attachments and Accessories	54

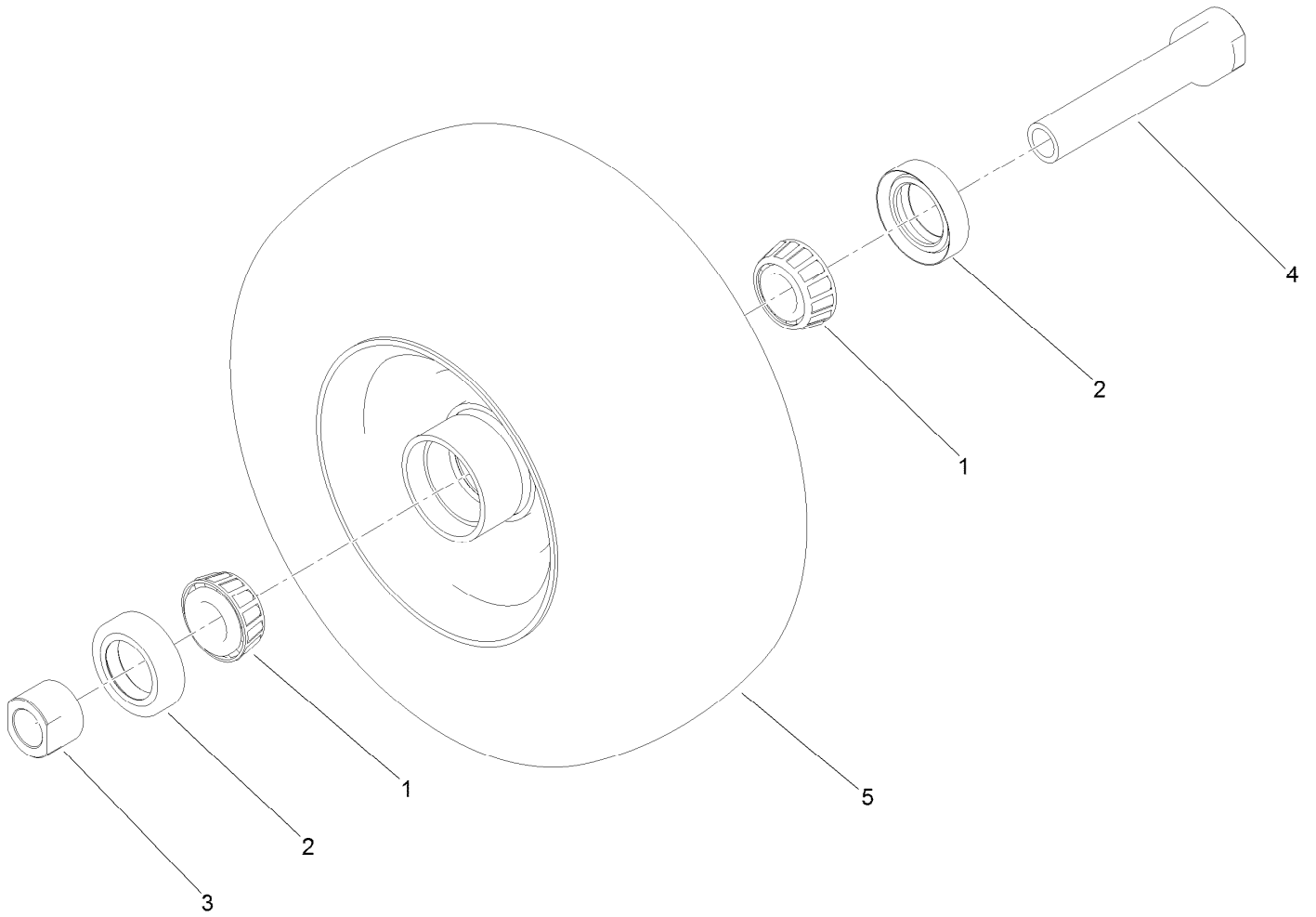
Main Frame Assembly



Main Frame Assembly (continued)

<i>Ref.</i>	<i>Part Number</i>	<i>Qty.</i>	<i>Description</i>	<i>Ref.</i>	<i>Part Number</i>	<i>Qty.</i>	<i>Description</i>
1	116-5647	2	Seal-Grease	13	125-4676	1	Control Tower ASM
2	1-633508	6	Washer-Bellville	13:2	117-0454	1	Decal-OPC
3	103-4882	2	Cap-Grease	13:3	139-2878	1	Decal-Warning
4	121-7988-01	2	Fork-Caster	13:4	125-4679	1	Decal-Panel, Control
5	104-8301	4	Nut-HF, NI	13:5	119-0241	1	Decal-Service Aid
6	119-7303-01	2	Bracket-Mounting, Guard	13:6	133-4665	1	Decal-Stability, CE
7	116-8739	1	Muffler Guard ASM	14	1-807512	1	Bolt-CARR
7:2	106-5517	1	Decal-Warning	15	119-4061	4	Screw-HHF
8	125-4655	1	Frame ASM	16	119-7312	1	Plate-Striker
8:2	302-5	7	Fitting-Grease	20	112-7069	1	Grommet
8:3	1-811010	2	Plug	27	32128-21	4	Nut-HF Lock
8:4	1-543508	4	Cup-Bearing	28	321-4	2	Screw-HH
9	1-543509	4	Bearing-Roller, Tapered	29	2412-87	2	Clamp-Cable
10	3231-10	4	Screw-CARR	30	104-7201	3	Nut-HF
11	3296-51	2	Nut-Lock, NI	31	119-1878-03	1	Retainer-Cable
12	140-1890	2	Wheel, Tire And Bearing ASM	32	119-0239	1	Cover-Tank
12:2	103-2768	2	Guard-Seal	32:2	116-8775	1	Decal-Fill, Fuel
12:3	3296-45	1	Nut-Hex	33	32144-70	4	Screw-HWHTF
12:4	325-20	1	Screw-HH	35	116-8772	1	Decal-Fuse
				47	32180-040	2	Clip-Harness

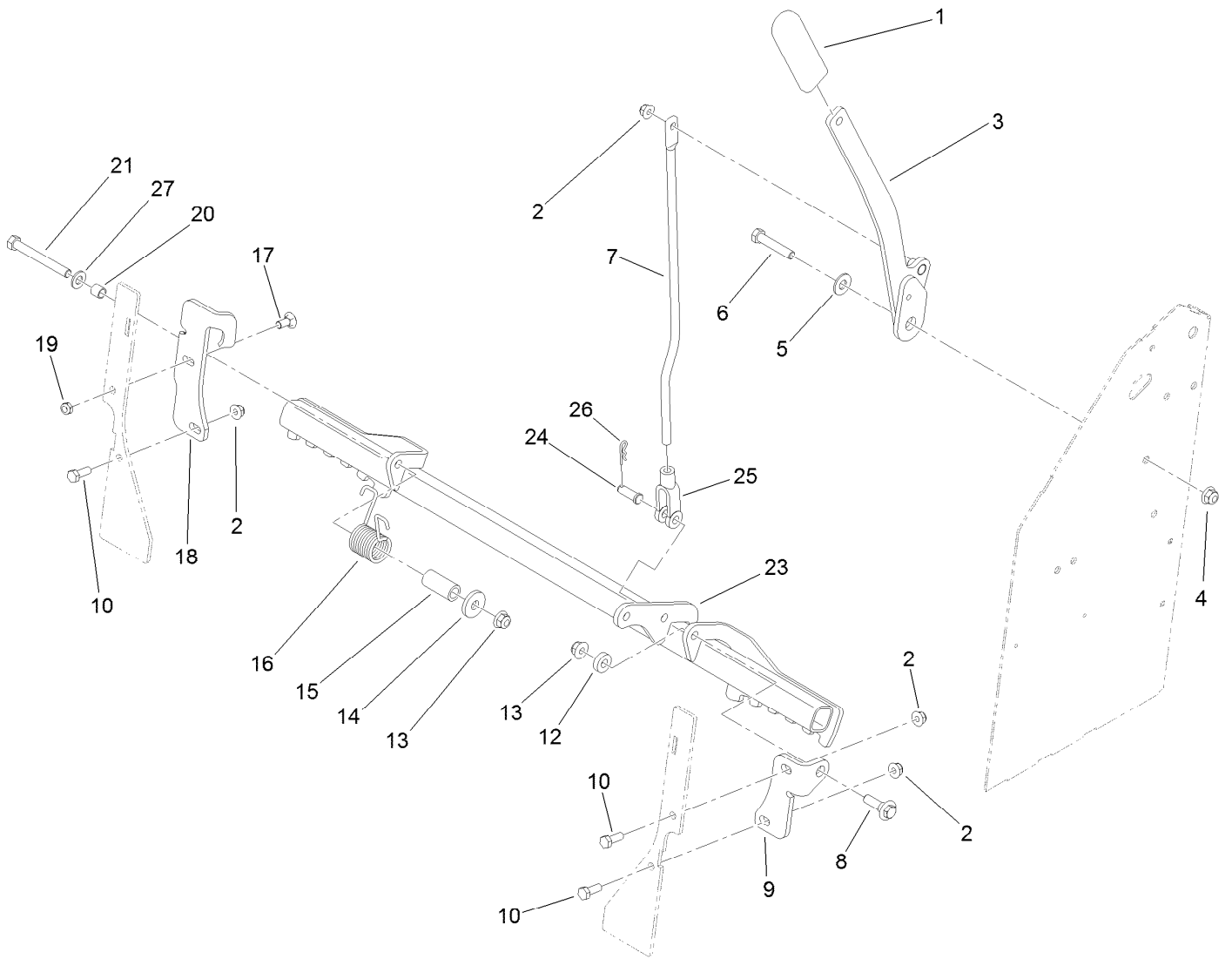
Wheel and Bearing Assembly



Wheel and Bearing Assembly (continued)

<i>Ref.</i>	<i>Part Number</i>	<i>Qty.</i>	<i>Description</i>	<i>Ref.</i>	<i>Part Number</i>	<i>Qty.</i>	<i>Description</i>
1	1-633585	2	Bearing-Cone, Taper	4	126-5359	1	Caster Axle ASM
2	103-0063	2	Seal-Caster	5	140-1892	1	Wheel And Tire ASM
3	103-3051	1	Spacer-Nut				

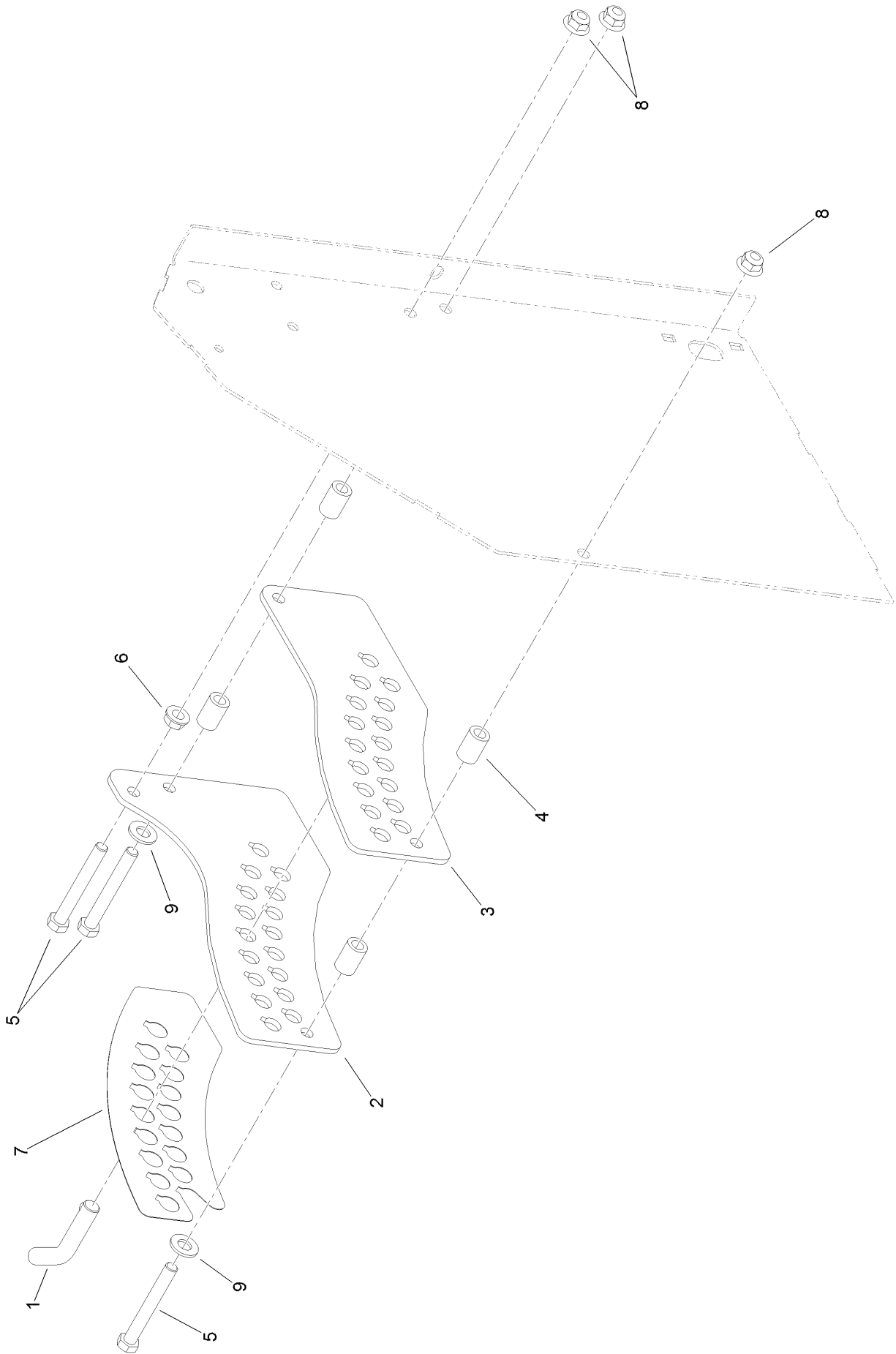
Parking Brake Assembly



Parking Brake Assembly (continued)

<i>Ref.</i>	<i>Part Number</i>	<i>Qty.</i>	<i>Description</i>	<i>Ref.</i>	<i>Part Number</i>	<i>Qty.</i>	<i>Description</i>
1	1-633268	1	Grip-Lever	15	117-9683	1	Spacer
2	104-8300	4	Nut-HF, NI	16	108-4052	1	Spring-Torsion
3	119-1861-01	1	Handle-Brake	17	3230-1	1	Bolt-CARR
4	104-8301	1	Nut-HF, NI	18	125-4667-01	1	Bracket-Brake Mount, RH
5	3256-4	1	Washer-Flat	19	3296-47	1	Nut-Lock, NI
6	323-10	1	Screw-HH	20	117-9684	1	Spacer
7	117-6199	1	Rod-Link, Brake	21	323-20	1	Screw-HH
8	614672	1	Screw-Shoulder, HWH	23	116-4600-03	1	Bar-Brake
9	119-1860-01	1	Bracket-Brake Mount, LH	24	283-2	1	Pin-Clevis
10	322-4	3	Screw-HH	25	1-633131	1	Yoke-Linkage, Brake
12	5-0652	1	Spacer	26	3290-307	1	Pin-Cotter
13	104-8301	2	Nut-HF, NI	27	3256-24	1	Washer-Flat
14	1-373034	1	Washer				

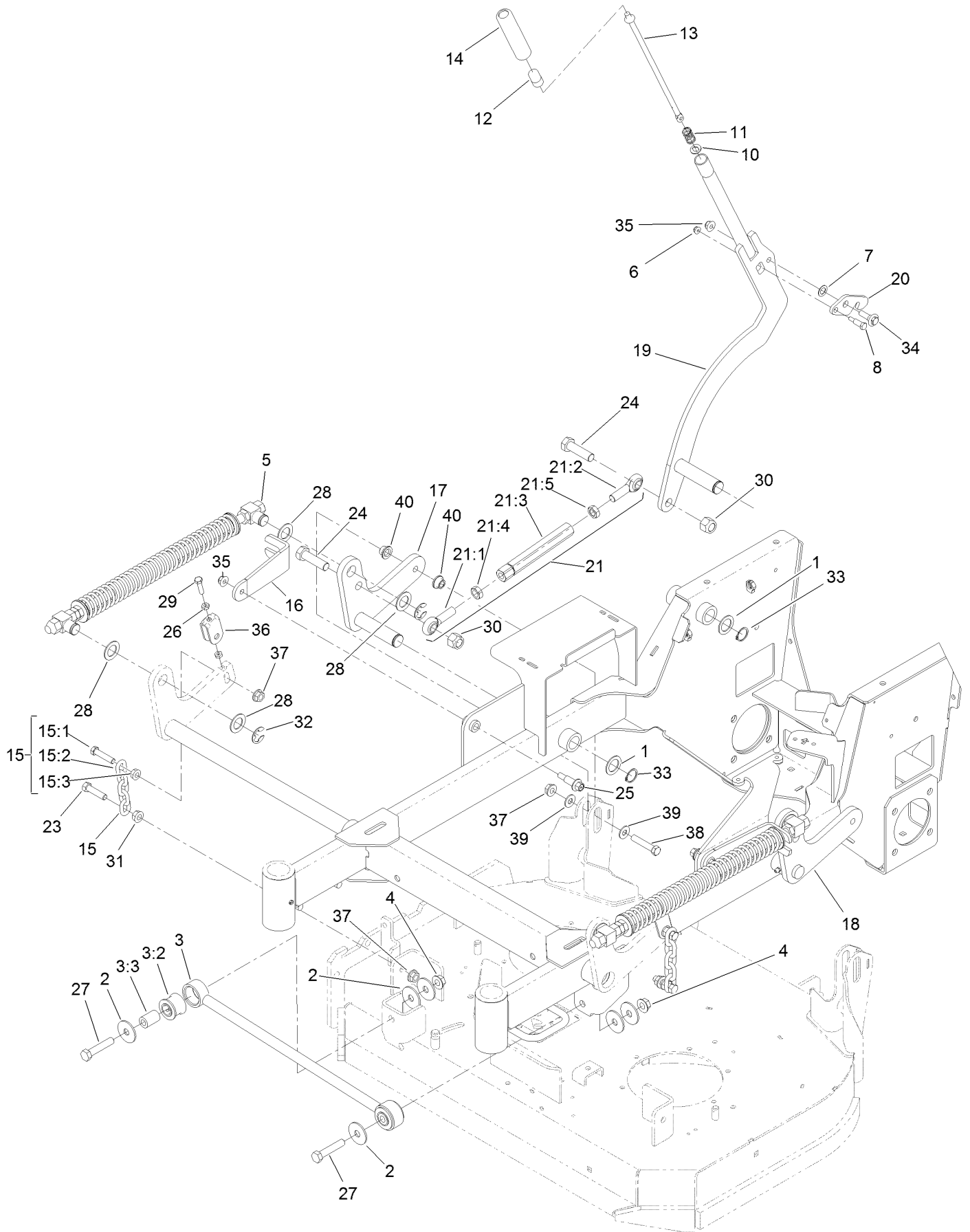
Height-of-Cut Plate Assembly



Height-of-Cut Plate Assembly (continued)

<i>Ref.</i>	<i>Part Number</i>	<i>Qty.</i>	<i>Description</i>	<i>Ref.</i>	<i>Part Number</i>	<i>Qty.</i>	<i>Description</i>
1	116-5584	1	Pin-HOC	6	3290-357	1	Nut-HHF, Whiz
2	117-5286-01	1	Plate-HOC, Outside	7	119-2317	1	Decal-HOC
3	117-5287-01	1	Plate-HOC, Inside	8	104-8301	3	Nut-HF, NI
4	114-2754	4	Spacer	9	3256-24	2	Washer-Flat
5	323-14	3	Screw-HH				

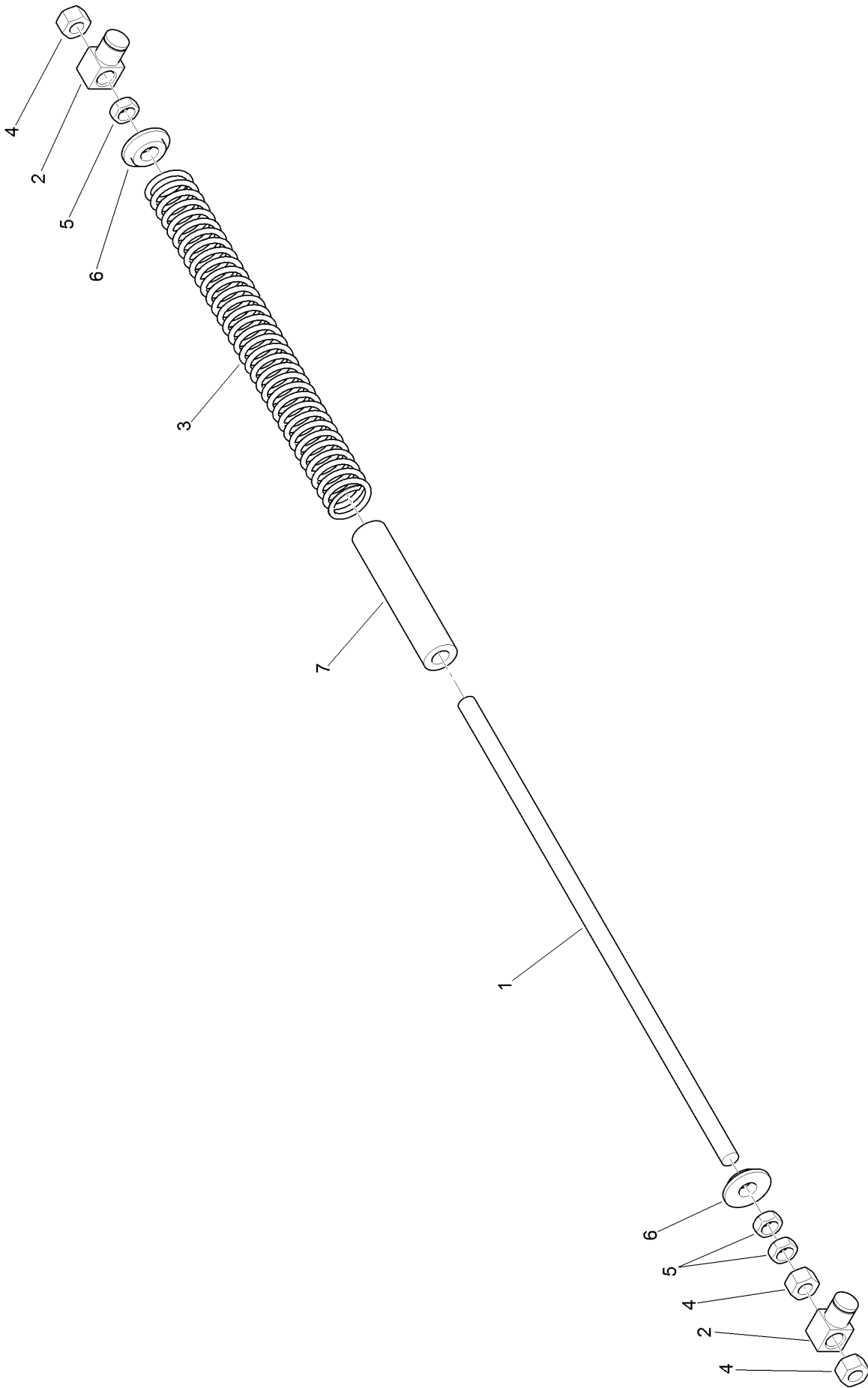
Deck Lift Assembly



Deck Lift Assembly (continued)

<i>Ref.</i>	<i>Part Number</i>	<i>Qty.</i>	<i>Description</i>	<i>Ref.</i>	<i>Part Number</i>	<i>Qty.</i>	<i>Description</i>
1	1-523157	3	Washer-Spacer	21	119-0383	1	Deck Lift Link ASM
2	86-1990	2	Washer-Thrust	21:1	1-633029	1	Balljoint-Spherical
3	109-5013	1	Panhard Rod ASM	21:2	117-5291	1	Balljoint-Spherical
3:2	109-5009	2	Bushing-Suspension, Rubber	21:3	119-0382	1	Link-Lift, Deck
3:3	109-5010	2	Spacer	21:4	3220-6	1	Nut-Jam
4	32128-23	2	Nut-HF	21:5	117-5293	1	Nut-Jam
5	119-2338	2	Deck Lift Spring ASM	23	324-7	2	Screw-HH
6	104-7201	1	Nut-HF	24	327-22	2	Screw-HH
7	98-1629	1	Washer	25	62-1330	2	Bolt-Shoulder
8	119-2309	1	Bolt-Shoulder	26	3218-2	4	Nut-Jam
10	114-1207	1	Washer-Special	27	325-10	2	Screw-HH
11	114-8187	1	Spring-Compression	28	119-2332	8	Washer-Flat
12	115-2750	1	Knob	29	119-3626	2	Screw-HH
13	136-0530	1	Rod-Latch, Release	30	3296-53	2	Nut-Lock, NI
14	115-3592	1	Grip	31	32128-37	2	Nut-HF
15	116-0756	2	Deck Lift Chain ASM	32	32151-103	4	Ring-Retaining, EXT
15:1	1-633447	1	Chain-Lift, Deck	33	32151-29	3	Ring-Retaining
15:2	109-9065	1	Screw-HH	34	614672	1	Screw-Shoulder, HWH
15:3	32128-37	1	Nut-HF	35	104-8301	3	Nut-HF, NI
16	119-2302-01	2	Bracket-Fork	36	109-9066	2	Yoke-Adjust, Deck
17	121-6014-01	1	Arm-Lift, RH	37	32128-42	6	Nut-HF
18	121-6013-01	1	Arm-Lift, LH	38	324-9	2	Screw-HH
19	117-5290-01	1	Arm-Lift, HOC	39	3256-4	4	Washer-Flat
20	117-5292	1	Latch-HOC	40	116-2428	4	Bushing-Flanged

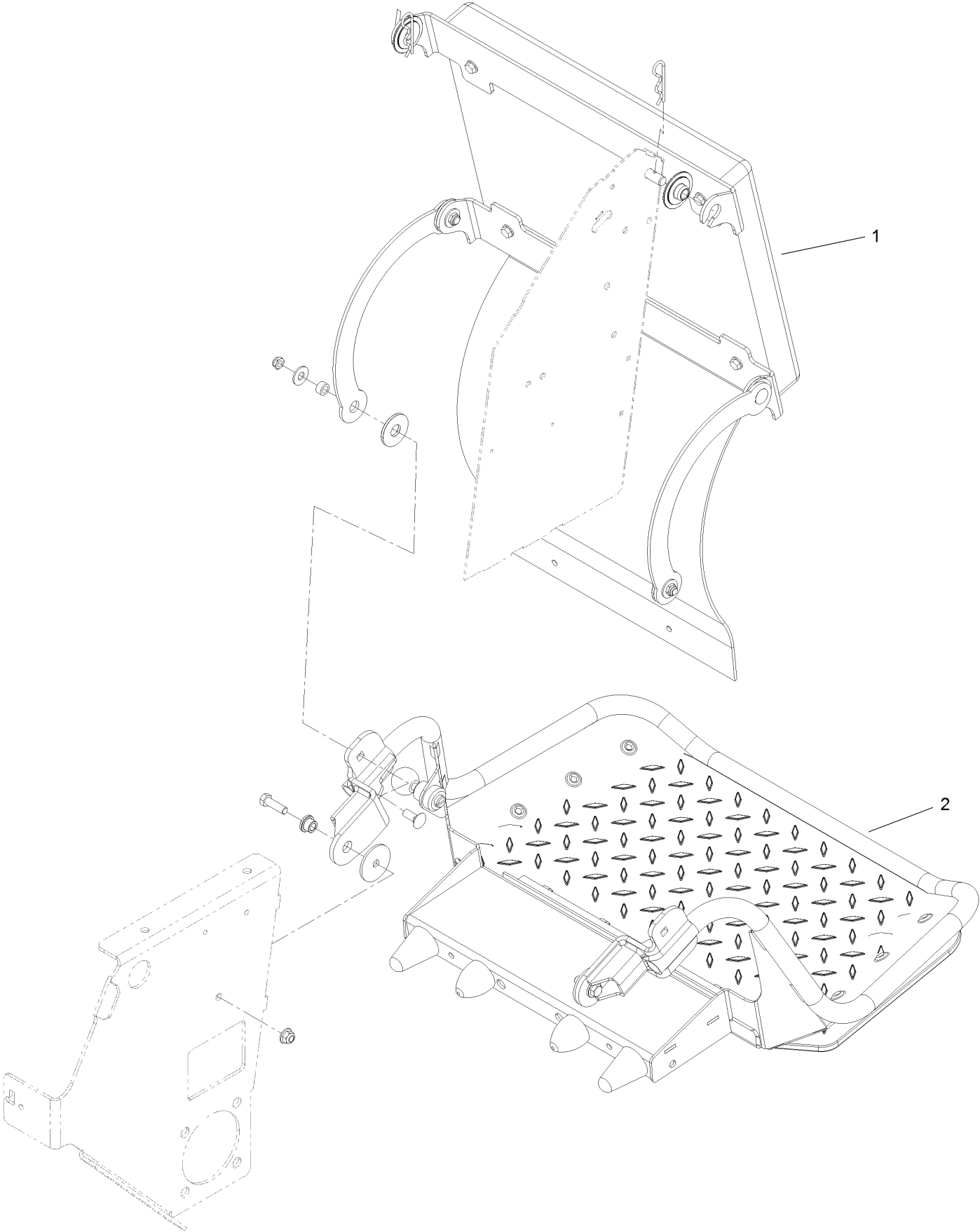
Deck Lift Spring Assembly No. 119-2338



Deck Lift Spring Assembly No. 119-2338 (continued)

<i>Ref.</i>	<i>Part Number</i>	<i>Qty.</i>	<i>Description</i>	<i>Ref.</i>	<i>Part Number</i>	<i>Qty.</i>	<i>Description</i>
1	119-2333	1	Rod-Lift, Deck	5	3218-6	3	Nut-Jam
2	1-633441	2	Swivel-Deck Mount, Rear	6	119-2334	2	Washer-Step
3	119-2328	1	Spring-Compression	7	119-2335	1	Tube-Guide, Spring
4	3217-11	3	Nut-Hex				

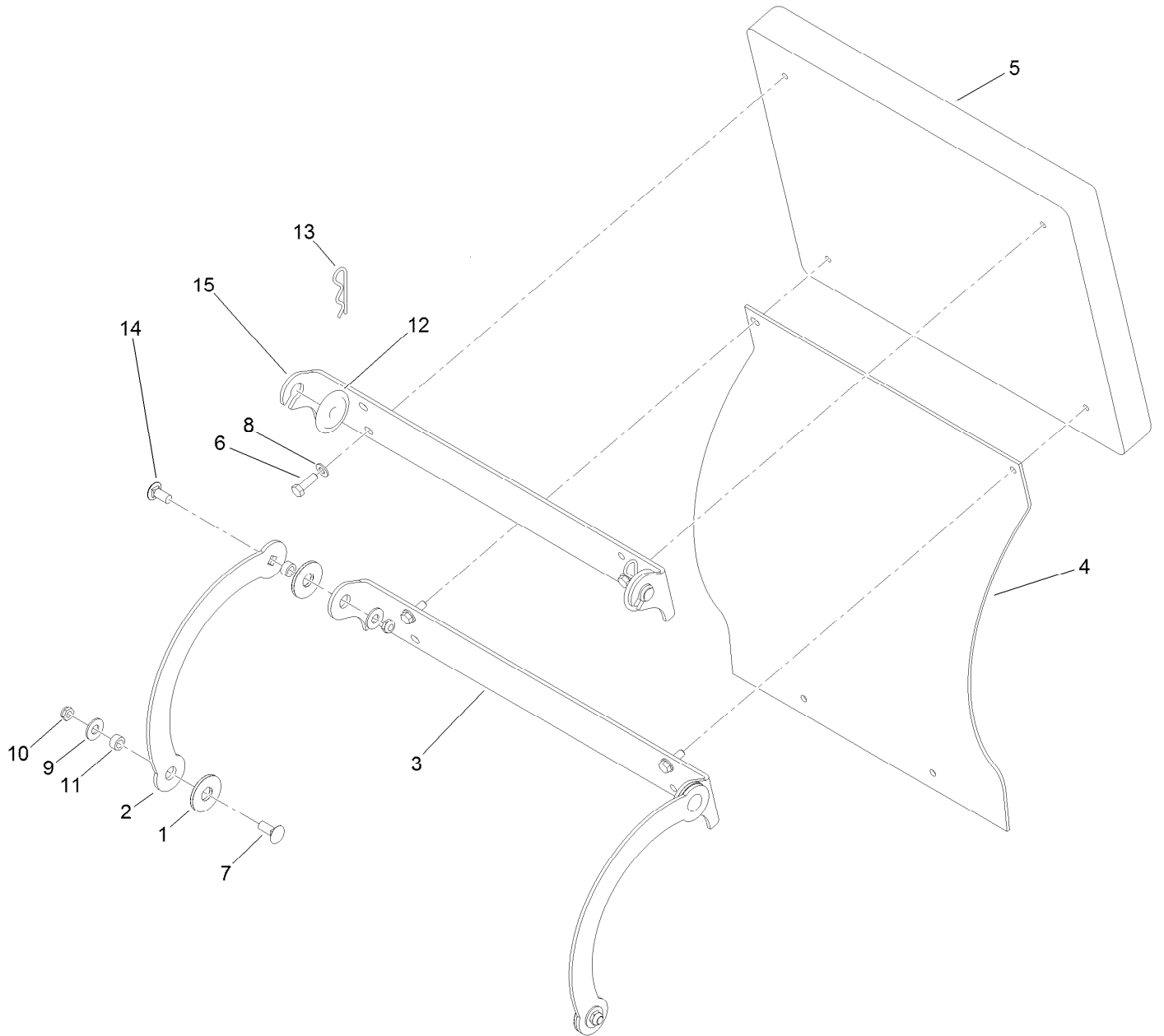
Cushion and Platform Assembly



Cushion and Platform Assembly (continued)

<i>Ref.</i>	<i>Part Number</i>	<i>Qty.</i>	<i>Description</i>
1	130-1767	1	Cushion ASM
2	132-9402	1	Platform ASM

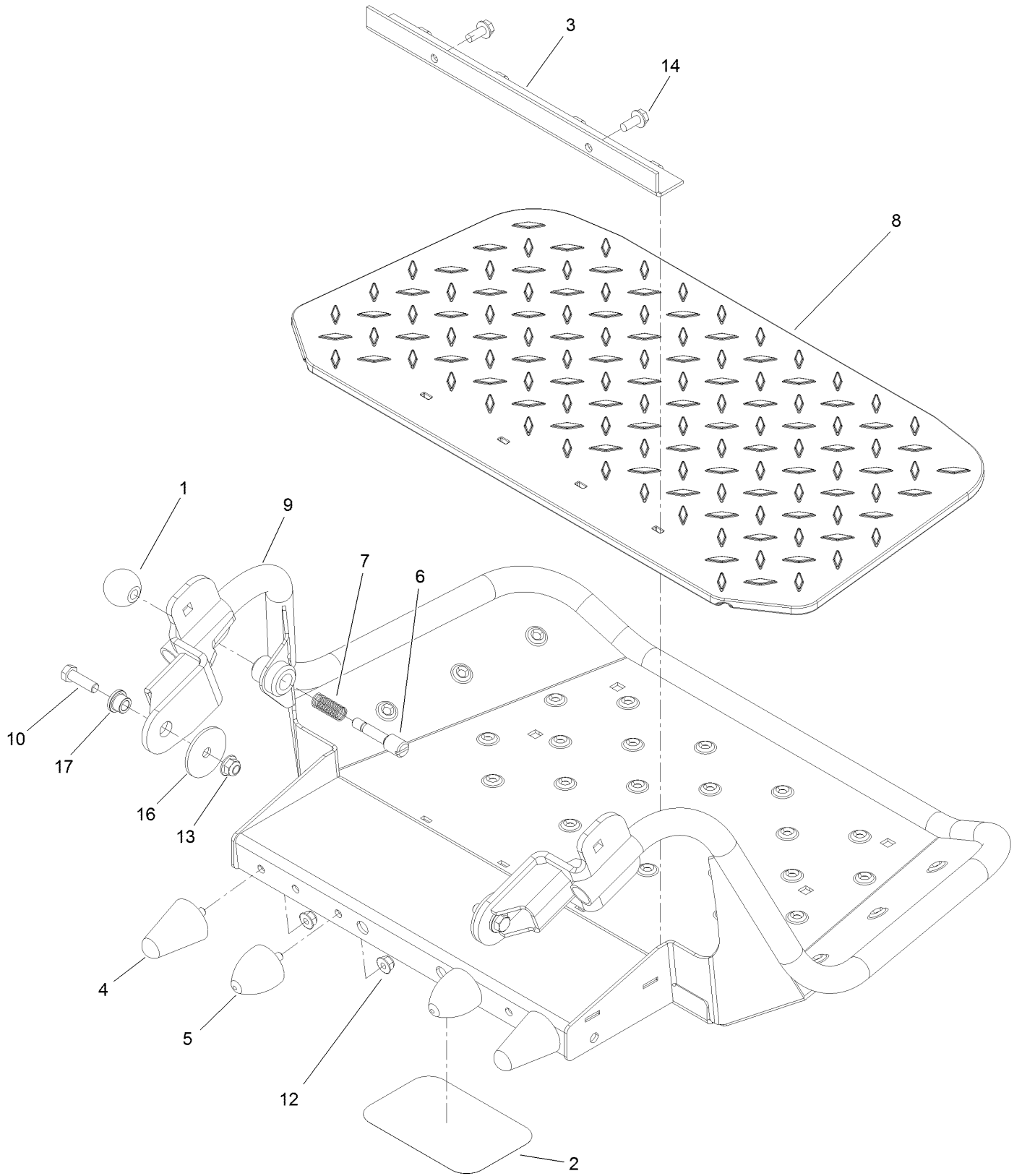
Cushion Assembly No. 130-1767



Cushion Assembly No. 130-1767 (continued)

<i>Ref.</i>	<i>Part Number</i>	<i>Qty.</i>	<i>Description</i>	<i>Ref.</i>	<i>Part Number</i>	<i>Qty.</i>	<i>Description</i>
1	114-0463	4	Washer-Friction, Composite	9	3256-4	4	Washer-Flat
2	114-1915-01	2	Link-Pad	10	3296-59	4	Nut-Lock, NI
3	116-2061-03	1	Hinge-Pad	11	111044	4	Spacer
4	130-1769	1	Shield-Rear	12	116-2886	2	Slide-Bushing
5	117-9739	1	Pad-Cushion	13	3290-355	2	Pin-Hair
6	121-7999	4	Screw-HH	14	3231-27	2	Screw-CARR
7	3231-2	2	Bolt-CARR	15	116-2757-03	1	Hinge-Pad
8	3256-23	4	Washer-Plain				

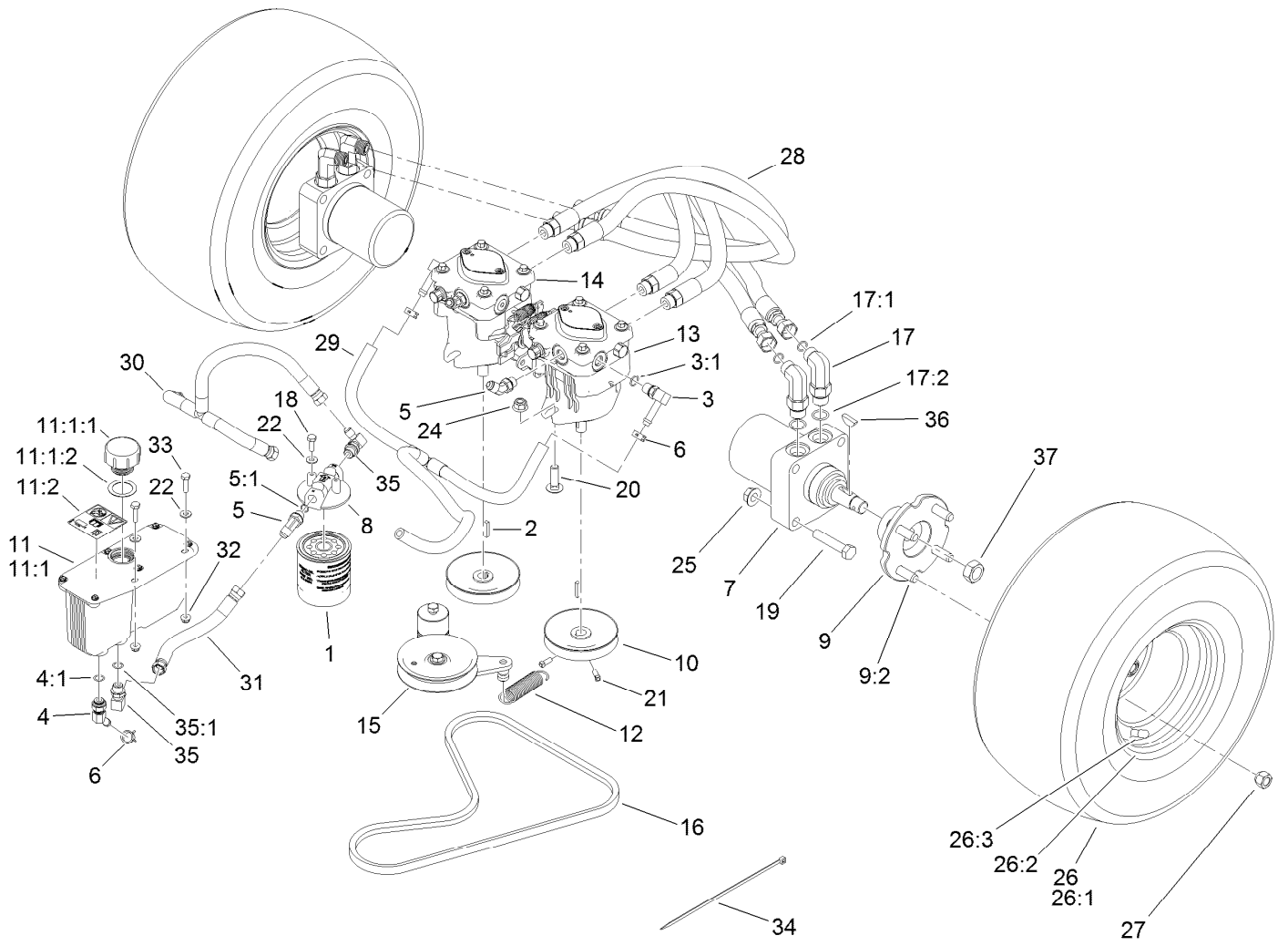
Platform Assembly No. 132-9402



Platform Assembly No. 132-9402 (continued)

<i>Ref.</i>	<i>Part Number</i>	<i>Qty.</i>	<i>Description</i>	<i>Ref.</i>	<i>Part Number</i>	<i>Qty.</i>	<i>Description</i>
1	1-603175	1	Knob-Ball	9	132-9403-01	1	Platform ASM
2	68-3640	1	Decal	10	323-7	2	Screw-HH
3	114-1920-03	1	Clamp-Shield	12	104-8300	4	Nut-HF, NI
4	114-1925	2	Bumper-Rubber	13	104-8301	2	Nut-HF, NI
5	114-1926	2	Bumper-Rubber	14	32144-11	2	Screw-HWH
6	119-8650	1	Pin-Latch	16	83-1040	2	Washer-Flat
7	114-5348	1	Spring	17	109-8788	2	Bushing-Flanged
8	126-7157	1	Mat-Platform				

Traction Drive Assembly



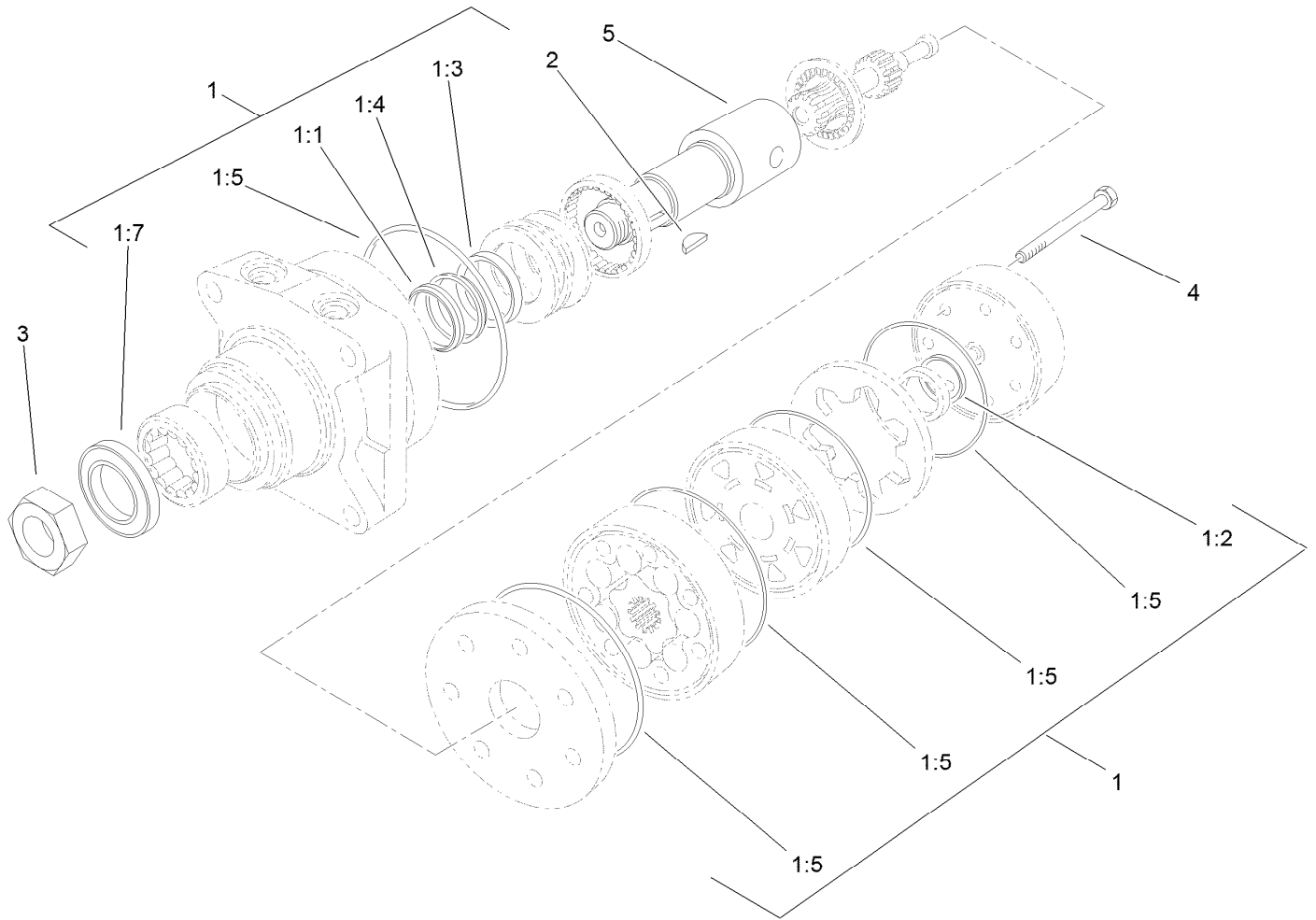
Traction Drive Assembly (continued)

<i>Ref.</i>	<i>Part Number</i>	<i>Qty.</i>	<i>Description</i>	<i>Ref.</i>	<i>Part Number</i>	<i>Qty.</i>	<i>Description</i>
1	114-3494	1	Element-Filter, 25 Micron	17:1	237-30	1	O-Ring
2	1-807272	2	Key	17:2	237-80	1	O-Ring
3	100-4887	2	Fitting-Elbow, 90	18	321-3	2	Screw-HH
3:1	237-42	1	O-Ring	19	325-10	8	Screw-HH
4	103-1807	1	Fitting-Barbed, 45 DEG	20	3232-3	4	Bolt-CARR
4:1	237-42	1	O-Ring	21	3241-5	4	Screw-Set
5	353-212	3	Fitting-Elbow, 45 DEG	22	3256-22	4	Washer-Flat
5:1	237-42	1	O-Ring	24	114-8417	4	Nut-HF, NI
6	103-1988	3	Clamp-Hose	25	32128-23	8	Nut-HF
7	104-1171	2	HYD Motor ASM	26	140-4272	2	Wheel And Tire ASM
8	104-7836	1	Head-Filter	26:1	140-1887	1	Rim-8 Inch Black
9	105-0800	2	Wheel Hub ASM	26:2	120-6451	1	Tire
9:2	10-6830	4	Stud-Type, Drive	26:3	232-27	1	Stem-Valve
10	105-5648	2	Pulley-Pump	27	242-50	8	Nut-Lug
11	107-8433	1	HYD Reservoir ASM	28	119-0173	4	HYD Hose ASM
11:1		1	Reservoir-HYD ●■	29	119-8745	1	HYD Hose ASM
11:1:1	103-1948	1	Cap-Reservoir, HYD	30	119-0206	1	HYD Hose ASM
11:1:2	103-1949	1	Gasket-Cap	31	119-0203	1	HYD Hose ASM
11:2	115-4212	1	Decal-Warning	32	104-7201	2	Nut-HF
12	108-4056	1	Spring-Extension	33	321-6	2	Screw-HH
13	119-0176	1	Hydraulic Pump ASM	34	3290-378	1	Tie-Cable
14	119-0177	1	Hydraulic Pump ASM	35	103-1802	2	Fitting-Elbow, 90 DEG
15	117-7685	1	Pump Idler ASM	35:1	237-42	1	O-Ring
16	119-0174	1	Belt-V	36	3257-8	2	Key-Woodruff
17	119-8680	4	Fitting-Elbow, 90	37	85-7310	2	Nut-Motor, Wheel

● Not illustrated

■ Not serviced separately

Hydraulic Motor Assembly 104-1171

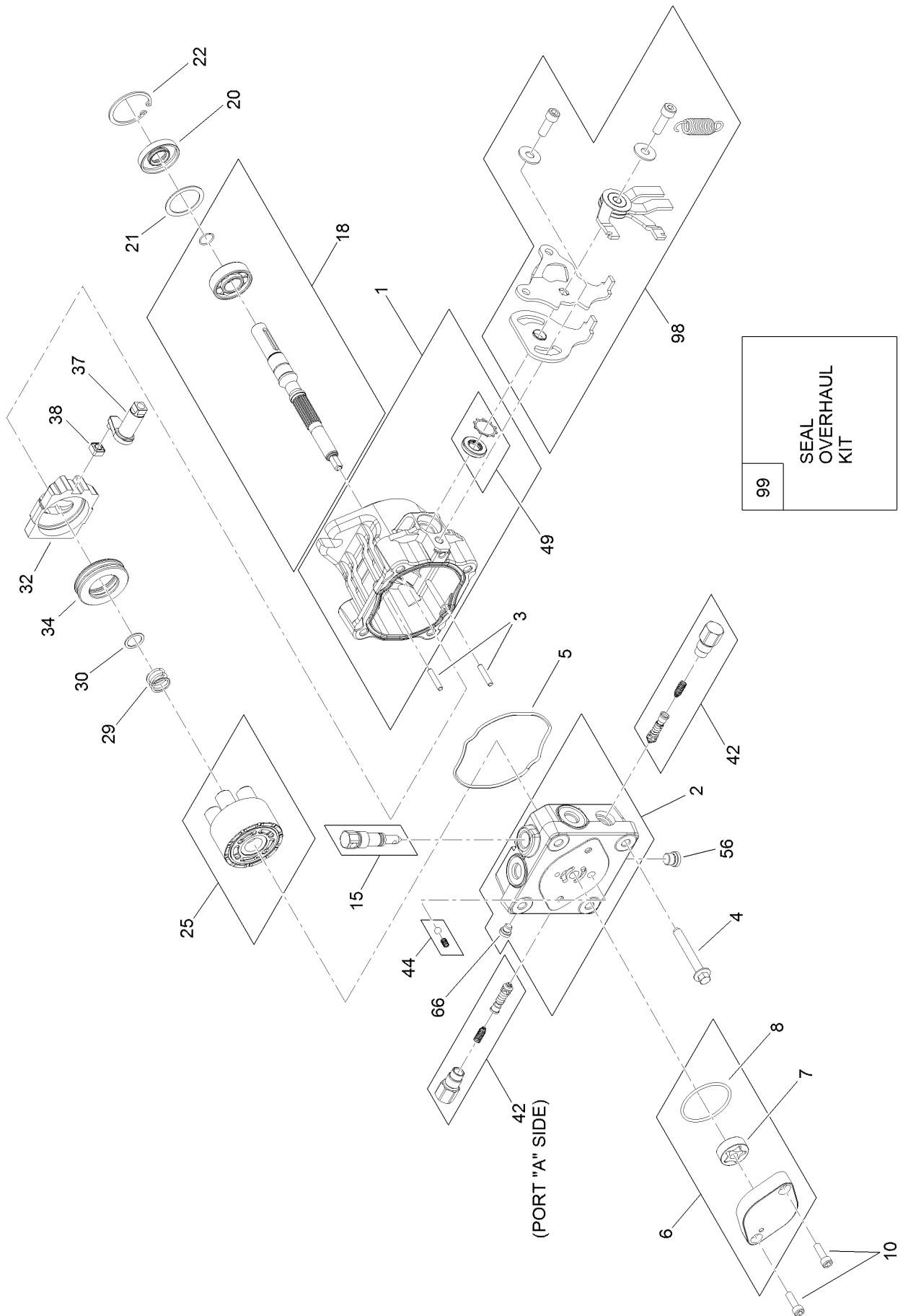


Hydraulic Motor Assembly 104-1171 (continued)

<i>Ref.</i>	<i>Part Number</i>	<i>Qty.</i>	<i>Description</i>	<i>Ref.</i>	<i>Part Number</i>	<i>Qty.</i>	<i>Description</i>
1	1-000119	1	Seal Kit	1:7		1	Seal-Dirt And Water ●
1:1		1	Ring-Back Up ●	2	3257-8	1	Key-Woodruff
1:2		1	Seal-Commutator ●	3	85-7310	1	Nut-Motor, Wheel
1:3		1	Seal-Shaft (Viton) ●	4	106-5549	6	Bolt-Special
1:4		1	Washer-Back Up (Steel) ●	5	106-8764	1	Shaft-Coupling
1:5		5	Ring-Seal (Viton) ●				

● Not serviced separately

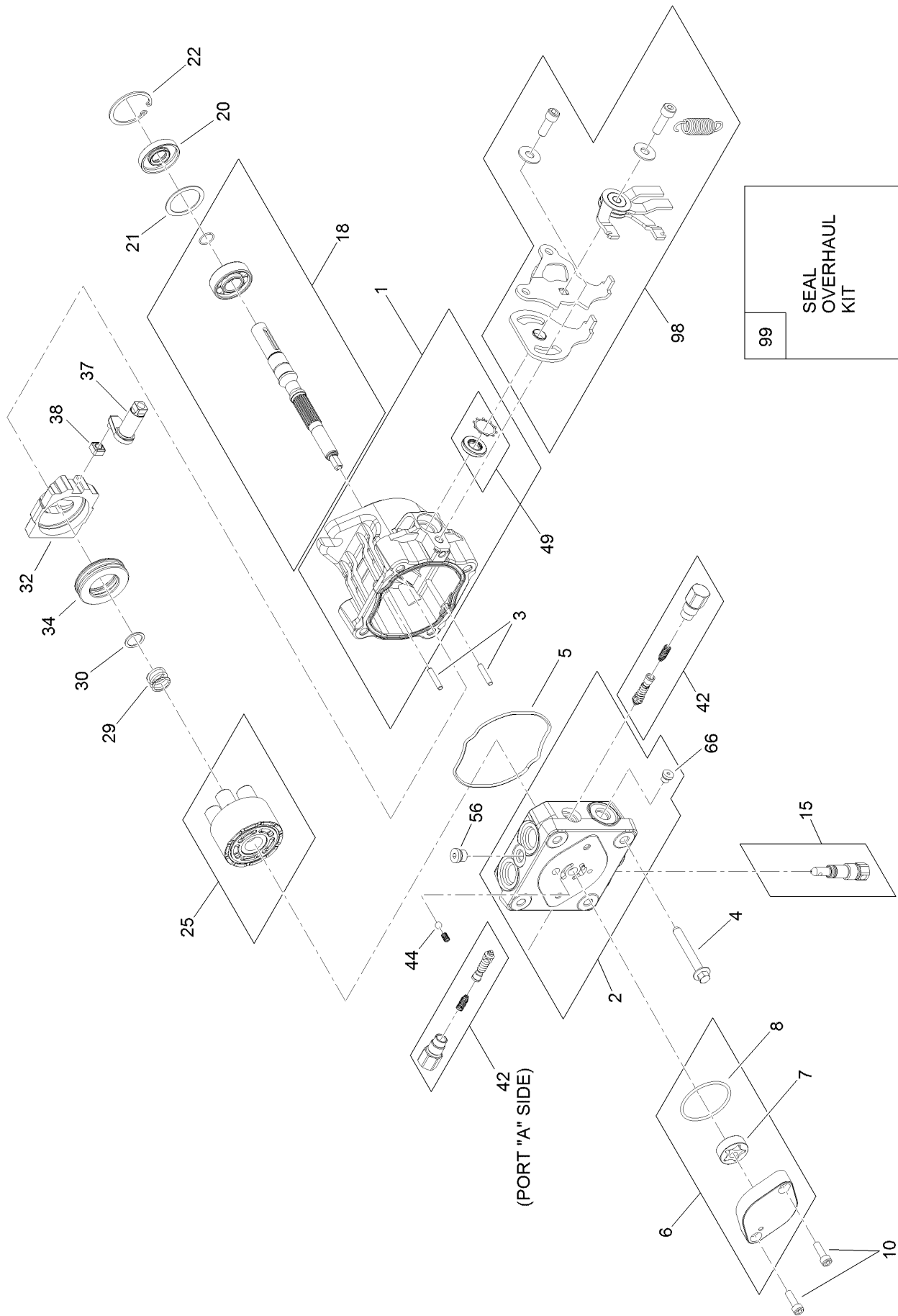
Hydraulic Pump Assembly No. 119-0176



Hydraulic Pump Assembly No. 119-0176 (continued)

<i>Ref.</i>	<i>Part Number</i>	<i>Qty.</i>	<i>Description</i>	<i>Ref.</i>	<i>Part Number</i>	<i>Qty.</i>	<i>Description</i>
1	115-4464	1	Housing Kit	29	94-1936	1	Spring-Block
2	119-0184	1	End Cap STD Charge Kit	30	94-1937	1	Washer-Thrust
3	106-8753	2	Pin-Headless, Straight	32	94-1907	1	Swashplate-Variable
4	106-8754	4	Bolt-HF	34	94-6922	1	Bearing-Thrust
5	106-8755	1	O-Ring	37	115-4458	1	Arm-Trunnion, Tapered Square
6	106-8756	1	Charge Pump Kit	38	94-1910	1	Guide-Slot
7	104-2122	1	Gerotor ASM	42	98-3252	2	Valve-Check (W/Poppet)
8	106-8757	1	O-Ring	44	112-4164	1	Charge Relief Kit
10	104-2111	2	Capscrew	49	106-8761	1	Trunnion Seal / Retainer Kit
15	106-8759	1	Bypass Valve Kit	56	106-8762	1	Plug-HSH
18	103-2664	1	Input Shaft Kit	66	106-8763	1	Plug-HSH
20	104-5310	1	Seal-Lip	98	115-4459	1	Return Kit
21	104-5308	1	Spacer	99	105-6184	1	Seal Overhaul Kit
22	104-5309	1	Ring-Retaining				
25	103-2666	1	Cylinder Block Kit				

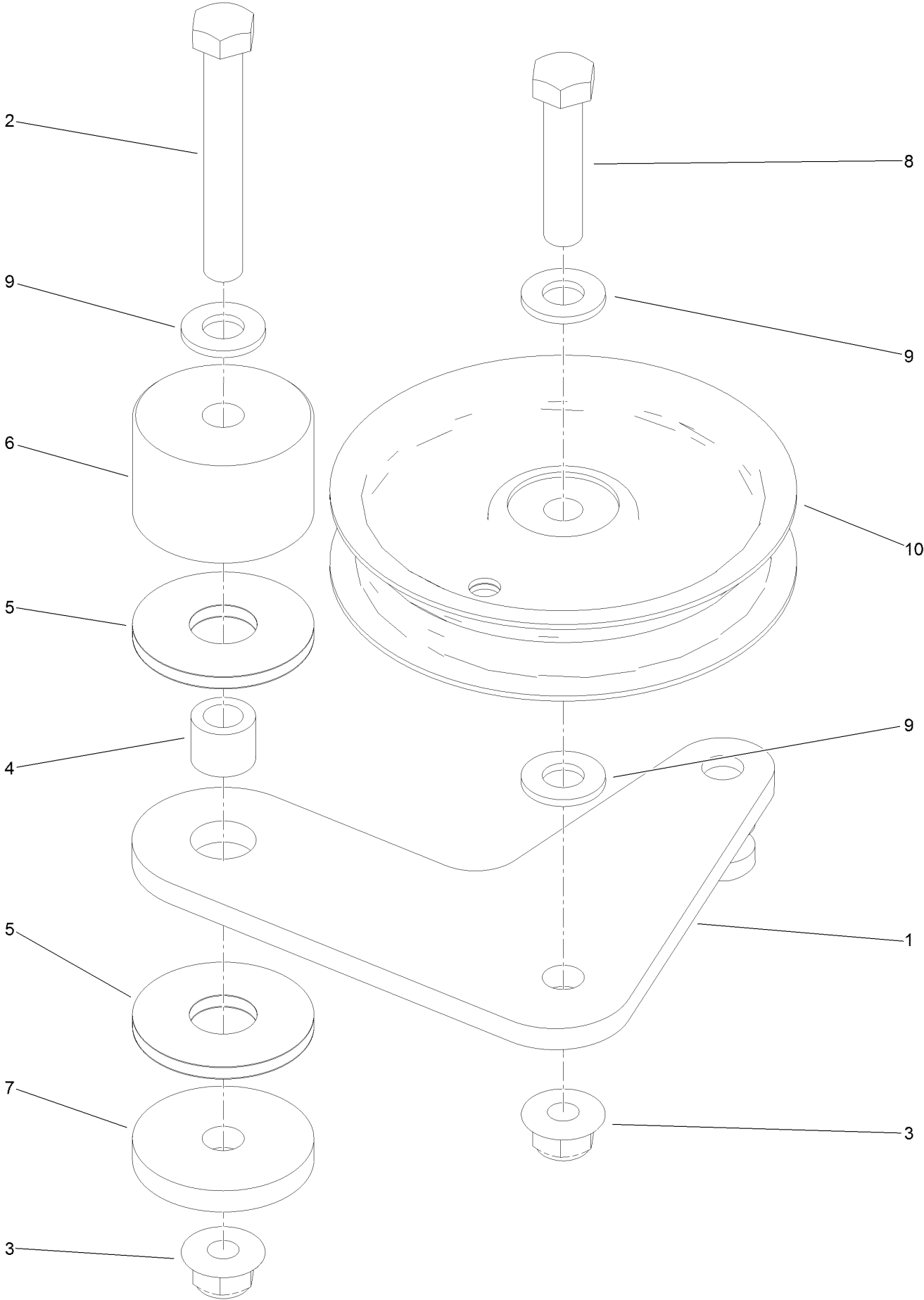
Hydraulic Pump Assembly No. 119-0177



Hydraulic Pump Assembly No. 119-0177 (continued)

<i>Ref.</i>	<i>Part Number</i>	<i>Qty.</i>	<i>Description</i>	<i>Ref.</i>	<i>Part Number</i>	<i>Qty.</i>	<i>Description</i>
1	115-4464	1	Housing Kit	29	94-1936	1	Spring-Block
2	119-0184	1	End Cap STD Charge Kit	30	94-1937	1	Washer-Thrust
3	106-8753	2	Pin-Headless, Straight	32	94-1907	1	Swashplate-Variable
4	106-8754	4	Bolt-HF	34	94-6922	1	Bearing-Thrust
5	106-8755	1	O-Ring	37	115-4458	1	Arm-Trunnion, Tapered Square
6	106-8756	1	Charge Pump Kit	38	94-1910	1	Guide-Slot
7	104-2122	1	Gerotor ASM	42	98-3252	2	Valve-Check (W/Poppet)
8	106-8757	1	O-Ring	44	112-4164	1	Charge Relief Kit
10	104-2111	2	Capscrew	49	106-8761	1	Trunnion Seal / Retainer Kit
15	106-8759	1	Bypass Valve Kit	56	106-8762	1	Plug-HSH
18	103-2664	1	Input Shaft Kit	66	106-8763	1	Plug-HSH
20	104-5310	1	Seal-Lip	98	115-4459	1	Return Kit
21	104-5308	1	Spacer	99	105-6184	1	Seal Overhaul Kit
22	104-5309	1	Ring-Retaining				
25	103-2666	1	Cylinder Block Kit				

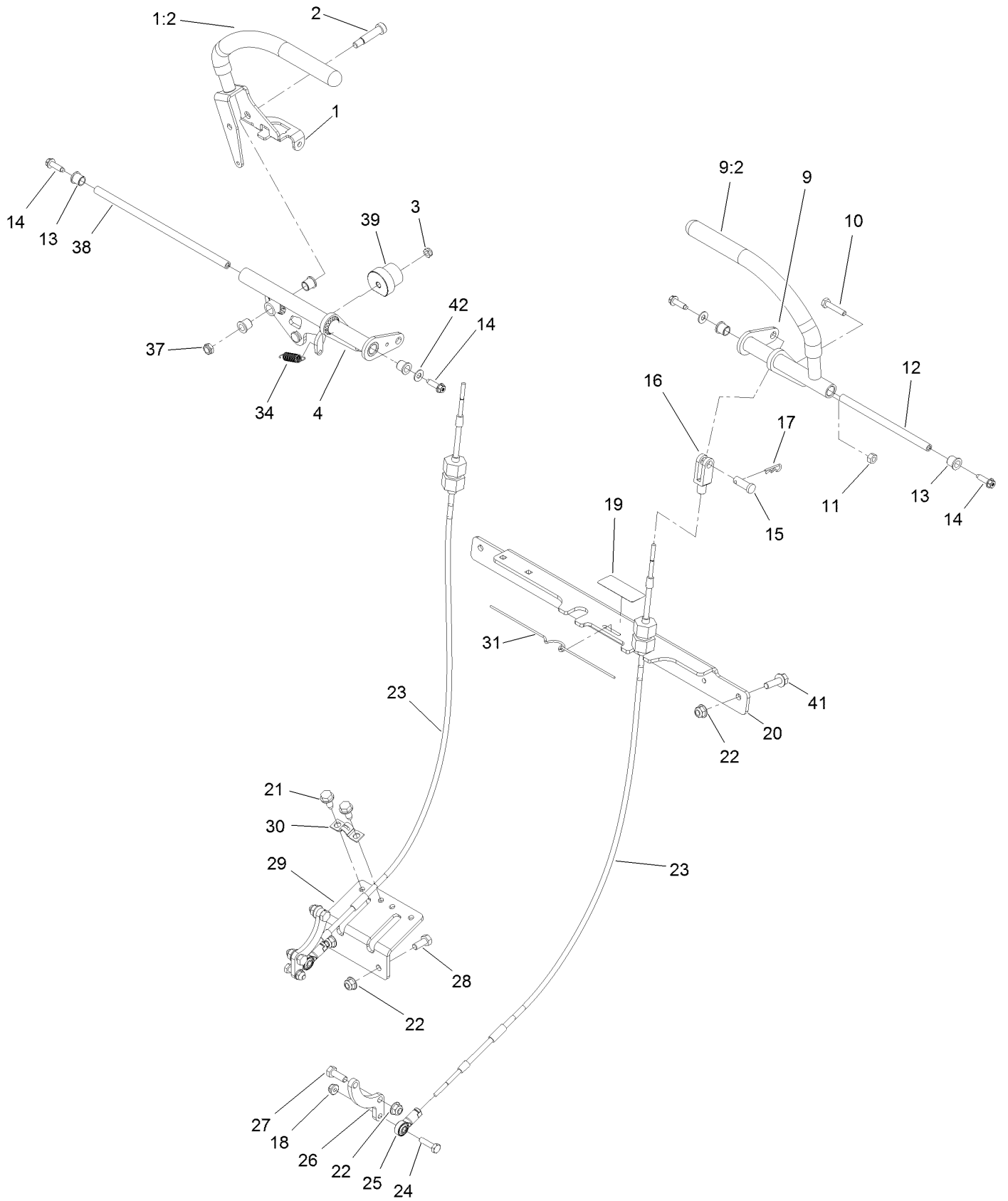
Pump Idler Assembly No. 117-7685



Pump Idler Assembly No. 117-7685 (continued)

<i>Ref.</i>	<i>Part Number</i>	<i>Qty.</i>	<i>Description</i>	<i>Ref.</i>	<i>Part Number</i>	<i>Qty.</i>	<i>Description</i>
1	117-7684	1	Plate-Idler	6	116-7599	1	Hub, Idler
2	323-13	1	Screw-HH	7	110-9981	1	Washer-Plain
3	104-8301	2	Nut-HF, NI	8	323-9	1	Screw-HH
4	1-413088	1	Bushing-Lever, Lift	9	3256-24	3	Washer-Flat
5	114-0463	2	Washer-Friction, Composite	10	93-1622	1	Pulley-Idler

Motion Control Assembly



Motion Control Assembly (continued)

<i>Ref.</i>	<i>Part Number</i>	<i>Qty.</i>	<i>Description</i>	<i>Ref.</i>	<i>Part Number</i>	<i>Qty.</i>	<i>Description</i>
1	120-8393	1	RH Lever ASM	21	32144-70	4	Screw-HWHTF
1:2	119-0222	1	Grip	22	104-8300	8	Nut-HF, NI
2	114-0239	1	Screw-HSH	23	117-6225	2	Cable ASM
3	3296-56	1	Nut-Lock, NI	24	321-6	2	Screw-HH
4	131-7403	1	RH Motion Control ASM	25	117-6222	2	Rod End-Ball Joint
9	125-4671	1	LH Motion Control ASM	26	117-6204	2	Arm-Control, Pump
9:2	119-0222	1	Grip	27	322-4	4	Screw-HH
10	114-0282	2	Screw-HH	28	322-3	2	Screw-HH
11	3217-5	2	Nut-Hex	29	117-6238-01	1	Bracket-Clamp, Cable
12	119-1885	1	Shaft-Pivot, Motion Control	30	93-2279	2	Clamp-Cable
13	103-9928	6	Bearing	31	114-0433	1	Clip-Spring
14	80-0700	4	Screw-HH, Torx	34	114-0249	1	Spring-Extension
15	1-808284	2	Pin-Clevis	37	3296-47	1	Nut-Lock, NI
16	119-1869	2	Yoke-Female	38	119-1886	1	Shaft-Pivot
17	3290-307	2	Pin-Cotter	39	126-1499	1	Cam
18	104-7201	2	Nut-HF	41	3234-29	2	Screw-HHF
19	119-1854	1	Decal-Tracking, Hydro	42	3256-1	2	Washer-Flat
20	117-6239-01	1	Bracket-Cross				

Engine Assembly (continued)

<i>Ref.</i>	<i>Part Number</i>	<i>Qty.</i>	<i>Description</i>	<i>Ref.</i>	<i>Part Number</i>	<i>Qty.</i>	<i>Description</i>
1	1-603610	1	Washer-Spring	24	3234-29	2	Screw-HHF
2	119-0215	1	Pulley	26	3212-9	1	Screw-HH
3	119-0221	4	Screw-HSH	27	323-7	4	Screw-HH
6	92-1624	2	Screw-HWH	28	3231-2	4	Bolt-CARR
7	116-6126	1	Valve-Drain, Oil	30	3253-4	4	Washer-Lock
7:1	138-4636	1	O-Ring	32	104-7658	2	Spacer
8	81-1690	1	Clamp-Cable	33	32128-25	2	Nut-HF
9	119-1883	1	Plate-Set, Throttle	34	98-5975	3	Washer-Belleville
10	104-8301	7	Nut-HF, NI	35	121-5984-03	1	Bracket-Stop, Clutch
11	119-0220	1	Clutch/Brake ASM	36	322-5	1	Screw-HH
12	608006	1	Key-Square	37	33114-016	4	Screw-HH
13	107-4136	1	Washer	38	109-3765	1	Bumper
14	127-1901	1	Bracket-Muffler, LH	39	106-9962	1	Control-Choke, Push/Pull
15	127-1902	1	Bracket-Muffler, RH	40	110-5547	1	Lever-Control
16	112-7067	1	Pulley	41	119-1882	1	Cable-Control
17	112-7069	1	Grommet	42	32128-17	2	Nut-Lock, Flange
18		1	Engine Kawasaki, Fs541V ■	43	3274-39	2	Screw-HSBH
18:1	92-2153	1	Plug-Spark ●	44	1-603175	1	Knob-Ball
18:2	119-5852	1	Filter-Oil ●	45	104-8300	1	Nut-HF, NI
18:3	120-2235	1	Filter-Fuel ●	46	3290-378	2	Tie-Cable
18:4	120-7447	1	Filter-Air, Foam ●	47	1-653313	2	Gasket-Exhaust
19	132-4729	1	Anchor-Spring, Short	48	114-3550	4	Washer-Lock
20	131-1183	1	Muffler	49	114-3549	4	Nut
21	3290-378	1	Tie-Cable	99	103-1964	1	Hose-Drain, Oil ●
22	119-0170-01	1	Base-Engine				

● Not illustrated

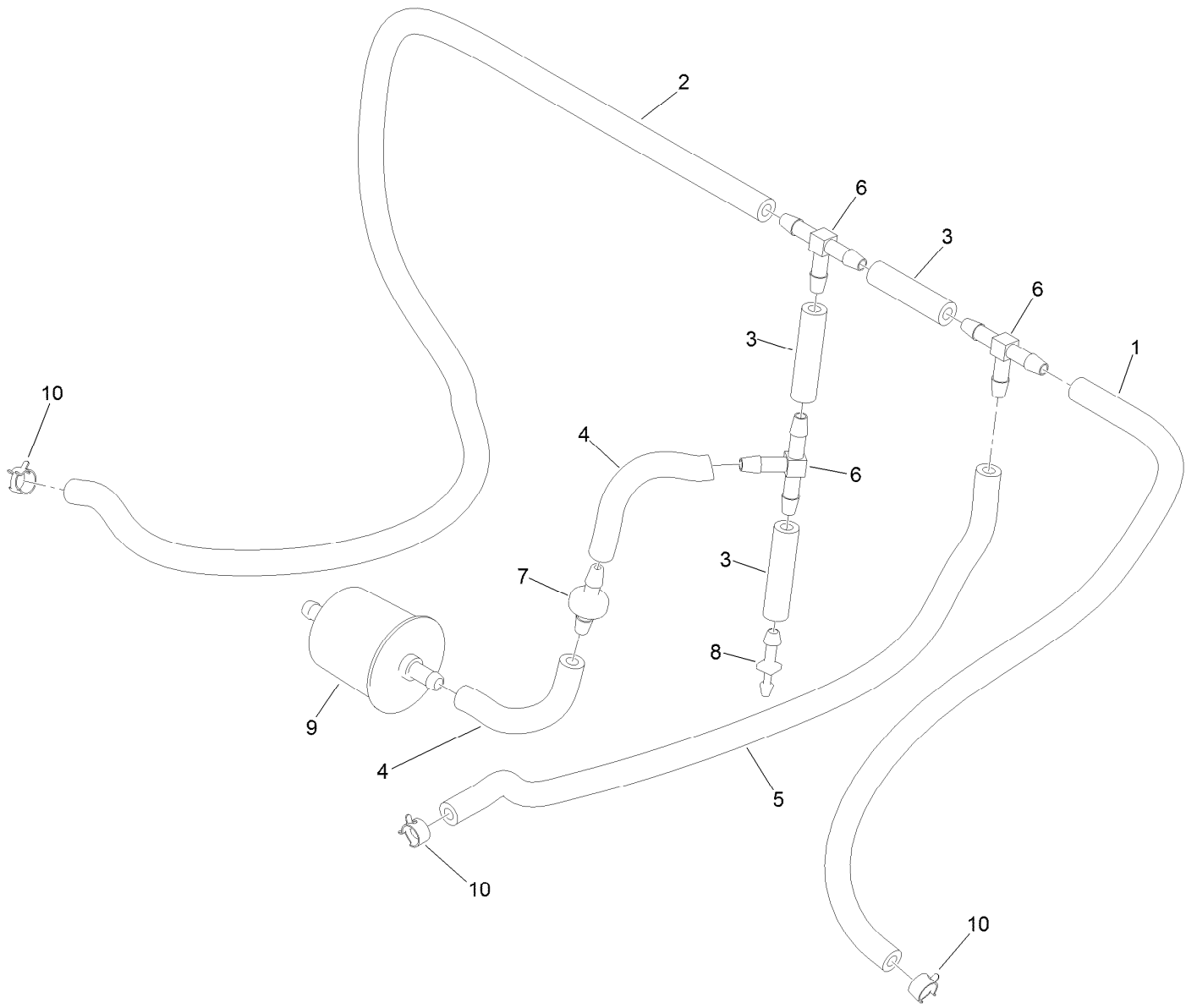
■ Not serviced separately

Fuel Tank Assembly (continued)

<i>Ref.</i>	<i>Part Number</i>	<i>Qty.</i>	<i>Description</i>	<i>Ref.</i>	<i>Part Number</i>	<i>Qty.</i>	<i>Description</i>
1	135-0650	1	Tank ASM	5	109-0301	1	Hose-Fuel
1:2	46-6560	3	Bushing	8	3290-378	4	Tie-Cable
1:3	1-643172	3	Elbow-90 DEG	9		1	Vent Hose ASM ●
1:5	126-1789	1	Cap-Fuel, Ratcheting	10	2412-87	3	Clamp-Cable
1:6	116-3408	1	Fitting-Fuel, Bulkhead	15	104-7201	2	Nut-HF
1:99	126-6924	1	Fuel Gauge Replacement Kit	16	321-5	2	Screw-HH
2	109-0297	1	Hose-Fuel	18	110-4102	1	Hose-Fuel
3	2412-98	4	Clamp-Hose	25	116-4769	1	Decal-Filter, Emissions
4	1-603770	1	Valve-Fuel	26	2412-96	1	Clamp-R
				28	3256-22	1	Washer-Flat

● Not serviced separately

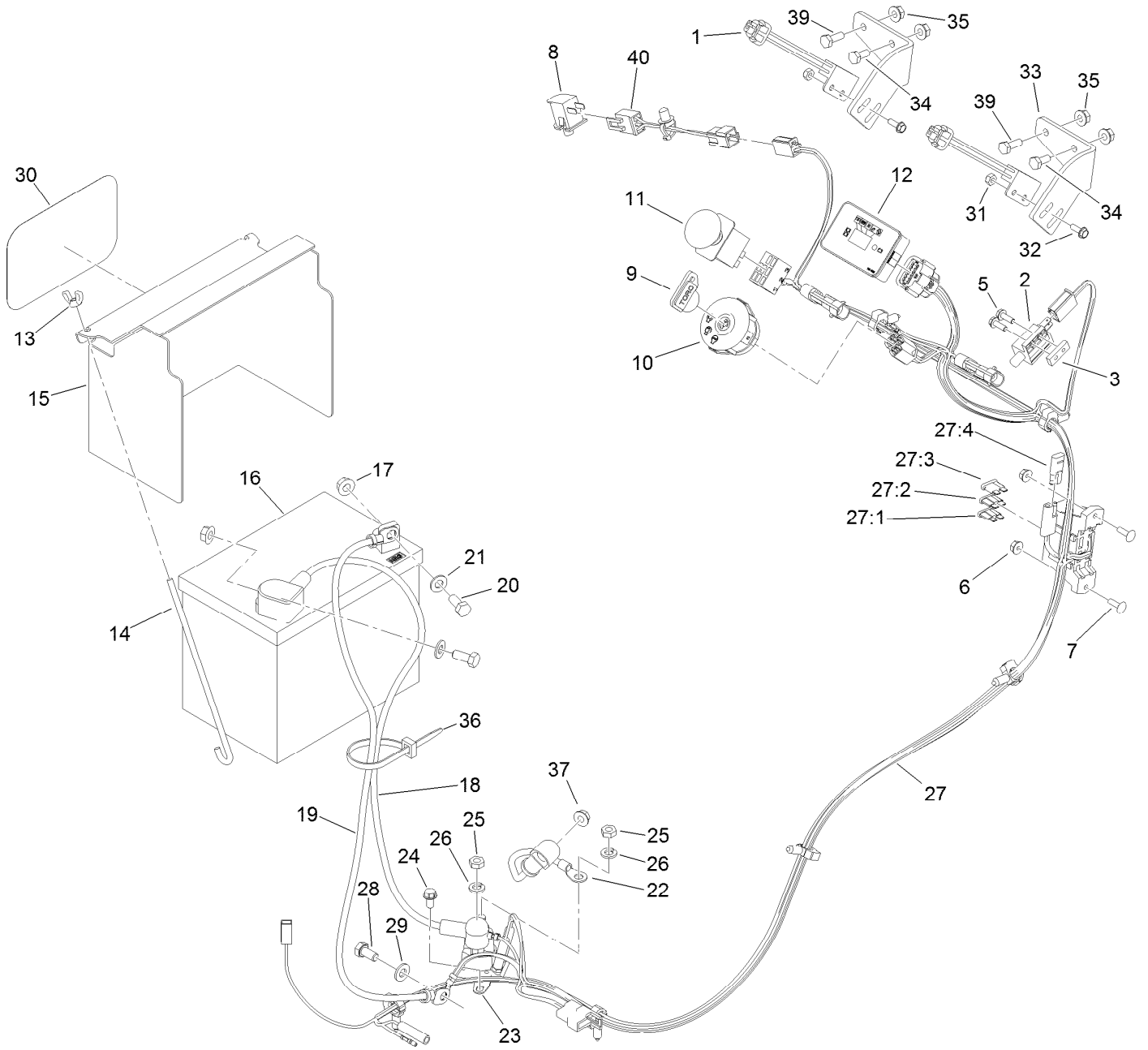
Vent Hose Assembly



Vent Hose Assembly (continued)

<i>Ref.</i>	<i>Part Number</i>	<i>Qty.</i>	<i>Description</i>	<i>Ref.</i>	<i>Part Number</i>	<i>Qty.</i>	<i>Description</i>
1	110-5701	1	Hose-Fuel	6	99-5005	3	Fitting-Tee, Barbed
2	110-5702	1	Hose-Fuel	7	99-5000	1	Valve-Check, Fuel
3	99-9415	3	Hose-Fuel	8	106-8150	1	Fitting-Straight
4	109-0650	2	Hose-Fuel	9	120-2235	1	Filter-Fuel
5	109-0296	1	Hose-Fuel	10	2412-98	3	Clamp-Hose

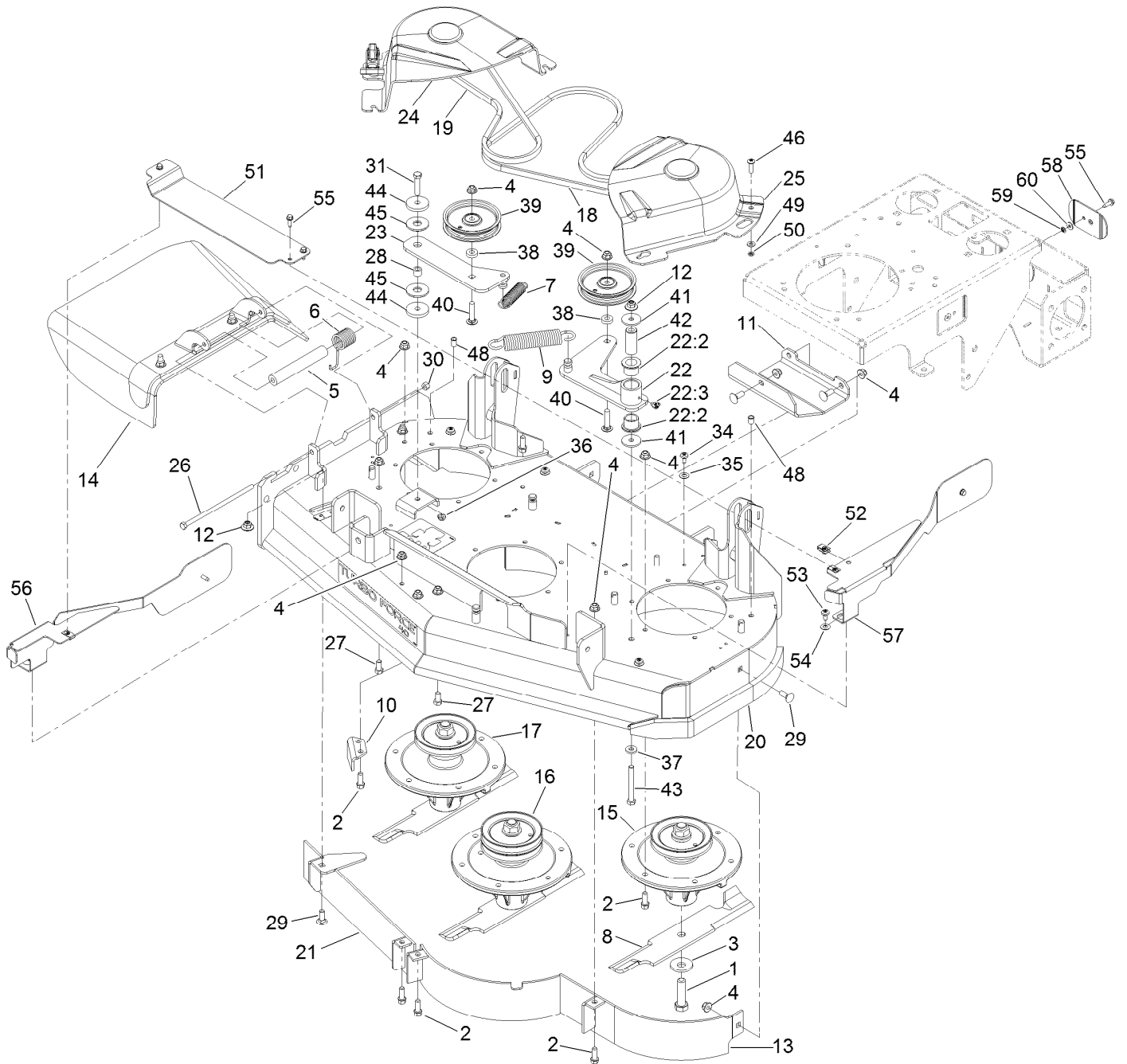
Electrical Assembly



Electrical Assembly (continued)

<i>Ref.</i>	<i>Part Number</i>	<i>Qty.</i>	<i>Description</i>	<i>Ref.</i>	<i>Part Number</i>	<i>Qty.</i>	<i>Description</i>
1	105-0023	2	Switch-Proximity	23	117-1197	1	Solenoid
2	1-513152	1	Switch-Closed, Normally	24	32144-4	2	Screw-HWH
3	1-633181	1	Plate-Tapped	25	3220-2	2	Nut-Jam
5	32105-2	2	Screw-SHWH	26	3253-4	2	Washer-Lock
6	32128-17	2	Nut-Lock, Flange	27	119-0181	1	Harness-Wire
7	1-807533	2	Bolt-CARR	27:1	109103	1	Fuse-Blade, 30 Amp
8	82-2190	1	Switch-Bail	27:2	109102	1	Fuse-Blade, 25 Amp
9	63-8360	1	Key-Ignition	27:3	218-578	1	Fuse-Blade, 10 Amp
10	137-4101	1	Switch-Ignition	27:4	116-0053	1	Cap-Plug
11	114-0279	1	Switch-PTO, On-On	28	33114-016	1	Screw-HH
12	117-3886	1	Module-Hour Meter	29	33094-00	1	Washer-Plain
13	1-543792	2	Wingnut	30	68-3640	1	Decal
14	1-633651	2	Bolt-Holddown	31	3296-2	4	Nut-Lock, NI
15	117-0543-01	1	Cover-Battery	32	32105-23	4	Screw
16	104-8162	1	Battery, 300CCA W/O Electrolyte	33	119-8503-01	2	Bracket-Mount, Switch
17	109-5715	2	Nut-HHF, Smooth	34	321-3	2	Screw-HH
18	120-6442	1	Cable-Battery, Positive	35	32128-32	4	Nut-HHF
19	103-0705	1	Cable-Ground, Negative	36	3290-378	1	Tie-Cable
20	322-3	2	Screw-HH	37	32128-33	1	Nut-HF
21	3256-23	2	Washer-Plain	39	321-4	2	Screw-HH
22	106-8268	1	Cable-Battery, Red	40	130-1779	1	Harness-Wire, Jumper (OPC)

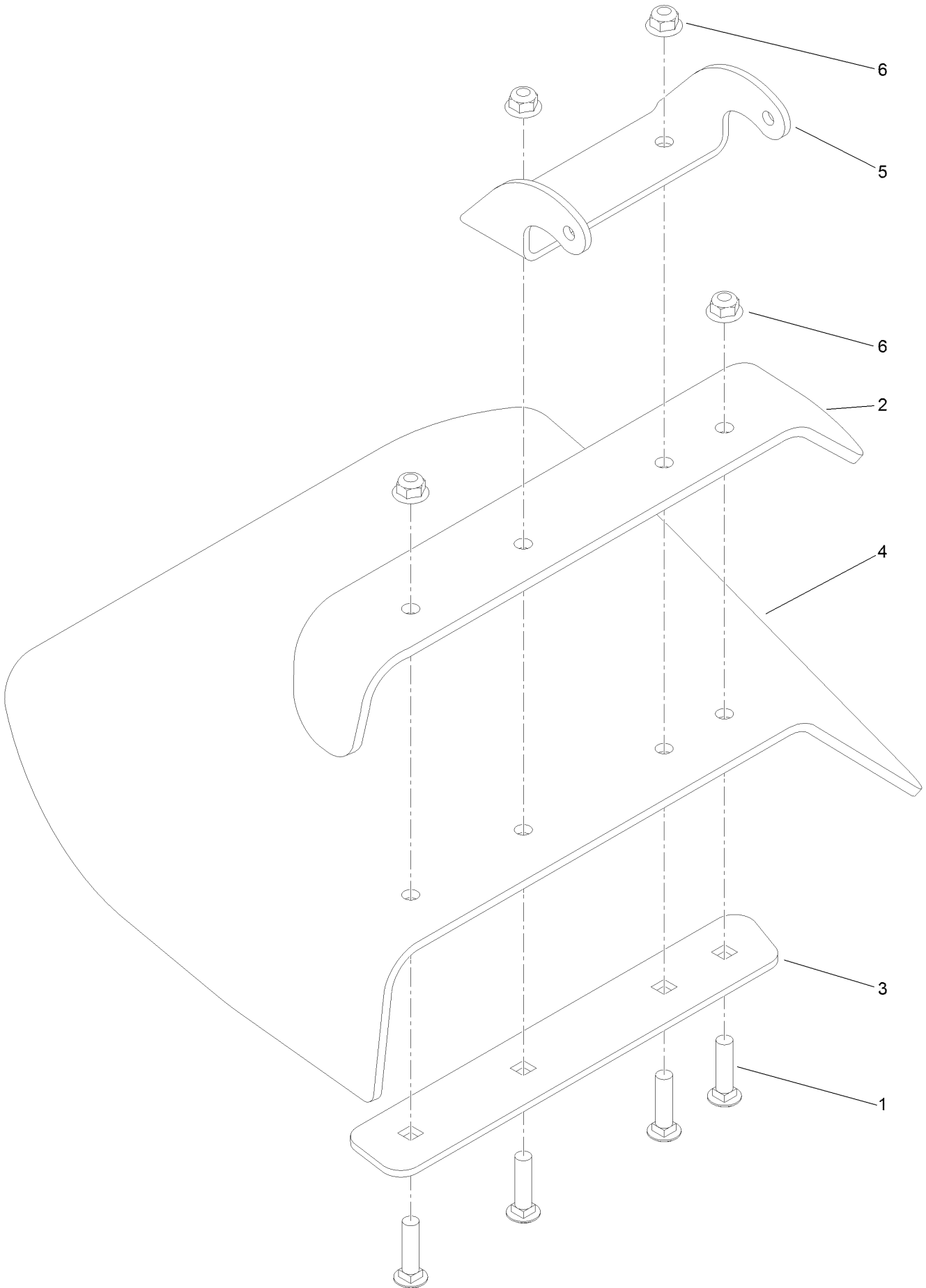
Deck Assembly



Deck Assembly (continued)

<i>Ref.</i>	<i>Part Number</i>	<i>Qty.</i>	<i>Description</i>	<i>Ref.</i>	<i>Part Number</i>	<i>Qty.</i>	<i>Description</i>
1	51-4060	3	Screw-Blade	29	3231-2	5	Bolt-CARR
2	92-1624	23	Screw-HWH	30	3296-29	1	Nut-Lock, NI
3	103-0865	3	Washer-Blade Bolt, Heavy	31	323-9	1	Screw-HH
4	104-8301	31	Nut-HF, NI	34	120-7950	5	Screw-Torx
5	105-4622	1	Spacer	35	73-0041	5	Washer-Thrust
6	108-4052	1	Spring-Torsion	36	3296-59	1	Nut-Lock, NI
7	108-4056	1	Spring-Extension	37	71-9310	1	Spacer
8	108-4081-03	3	Blade-14 Inch (High Sail)	38	5-0652	2	Spacer
9	119-0394	1	Spring-Extension	39	93-1622	2	Pulley-Idler
10	108-7273-01	1	Baffle-Discharge	40	3231-5	2	Screw-CARR
11	108-7282-01	1	Plate-Skid	41	1-213069	2	Washer
12	109-6658	2	Nut-Flange, NI	42	119-0208	1	Spacer-Plain
13	110-6910-03	1	Baffle ASM	43	323-20	1	Screw-HH
14	119-2347	1	Deflector ASM	44	110-9981	2	Washer-Plain
15	117-7635	1	Spindle ASM	45	114-0463	2	Washer-Friction, Composite
16	117-7636	1	Spindle ASM	46	32105-32	2	Screw-TTH
17	117-7640	1	Spindle ASM	48	32148-6	2	Nut-Clinch
18	117-7648	1	Belt-V	49	3256-22	2	Washer-Flat
19	117-7649	1	Belt-V	50	106-8737	2	Nut-Retainer
20	121-6020	1	Deck And Decal ASM	51	131-1507-01	1	Guard-Deck, Center
21	119-0163-03	1	Front Baffle ASM	52	107069	3	Clip
22	119-0178	1	Idler Arm ASM	53	120-7950	2	Screw-Torx
22:2	33-3090	2	Bushing	54	73-0041	2	Washer-Thrust
22:3	302-11	1	Fitting-Lube, 45 DEG	55	32144-44	6	Screw-HWH, Thread Roll
23	119-0171	1	Idler Arm ASM	56	131-1493-01	1	Guard-Deck, RH
24	121-6029	1	Cover-Belt, RH	57	131-1494-01	1	Guard-Deck, LH
25	121-6028	1	Cover-Belt, LH	58	131-1495-01	4	Guard-Plate
26	322-50	1	Screw-HH	59	106-8737	6	Nut-Retainer
27	323-4	2	Screw-HH	60	119-8952	6	Washer
28	1-413088	1	Bushing-Lever, Lift				

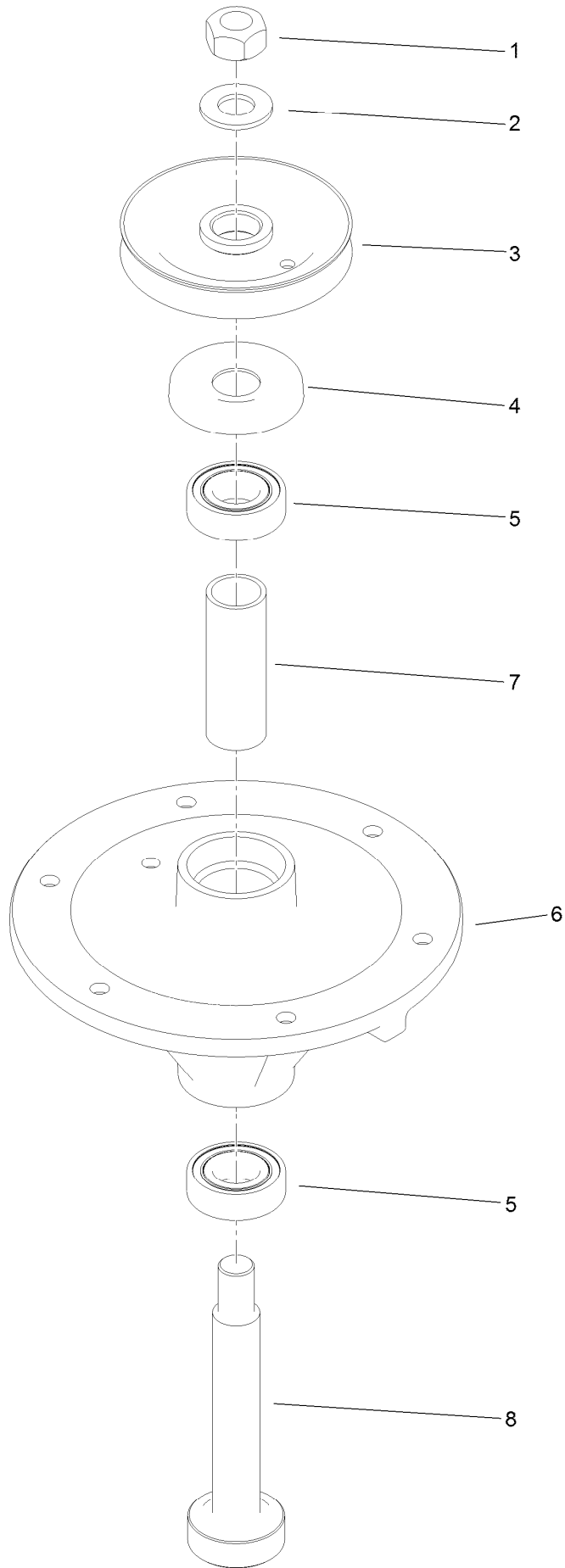
Deflector Assembly No. 119-2347



Deflector Assembly No. 119-2347 (continued)

<i>Ref.</i>	<i>Part Number</i>	<i>Qty.</i>	<i>Description</i>	<i>Ref.</i>	<i>Part Number</i>	<i>Qty.</i>	<i>Description</i>
1	3231-4	4	Screw-CARR	4	119-2346	1	Deflector-Rubber
2	110-0792-01	1	Deflector	5	110-9923-01	1	Bracket-Mounting, Deflector
3	110-0793-03	1	Strap-Discharge	6	104-8301	4	Nut-HF, NI

Spindle Assembly No. 117-7635

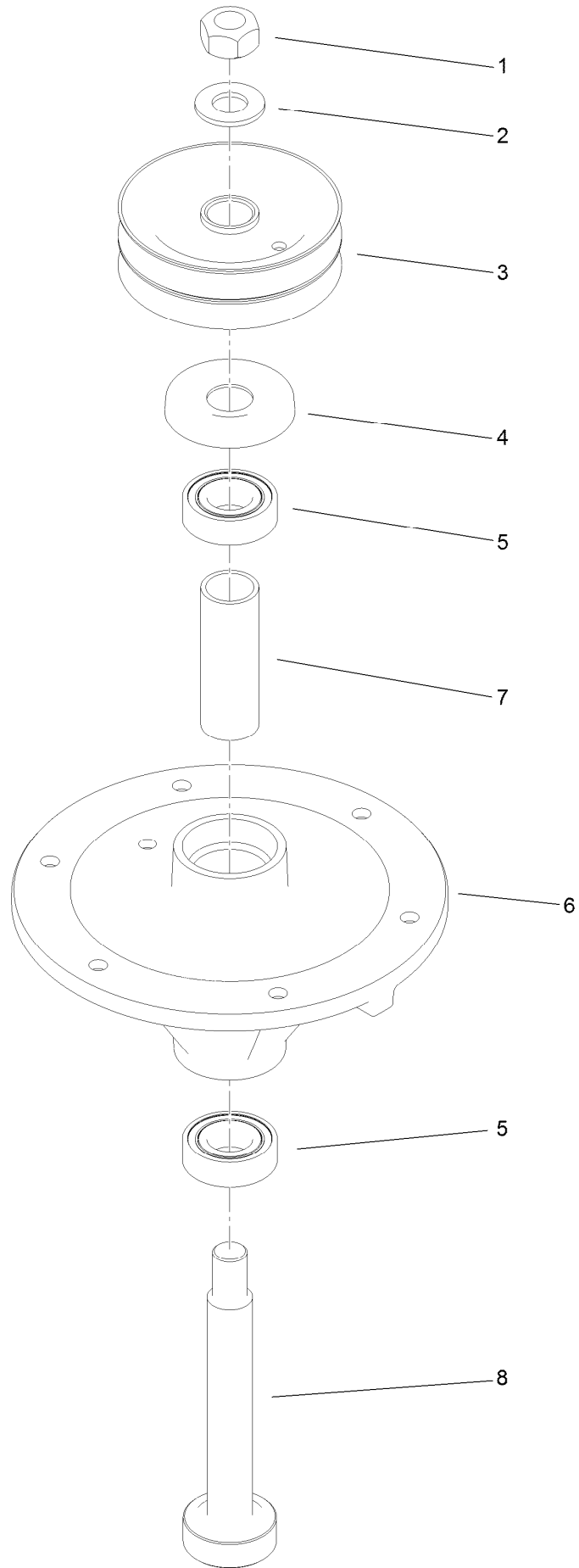


Spindle Assembly No. 117-7635 (continued)

<i>Ref.</i>	<i>Part Number</i>	<i>Qty.</i>	<i>Description</i>
1	3219-7	1	Nut-Hex
2	7-4150	1	Washer
3	117-7615	1	Pulley ASM
4	106-0873	1	Shield-Bearing

<i>Ref.</i>	<i>Part Number</i>	<i>Qty.</i>	<i>Description</i>
5	116-0720	2	Bearing-Ball
6	108-6696	1	Housing-Spindle
7	110-0727	1	Spacer-Bearing
8	110-0726	1	Shaft-Spindle

Spindle Assembly No. 117-7636

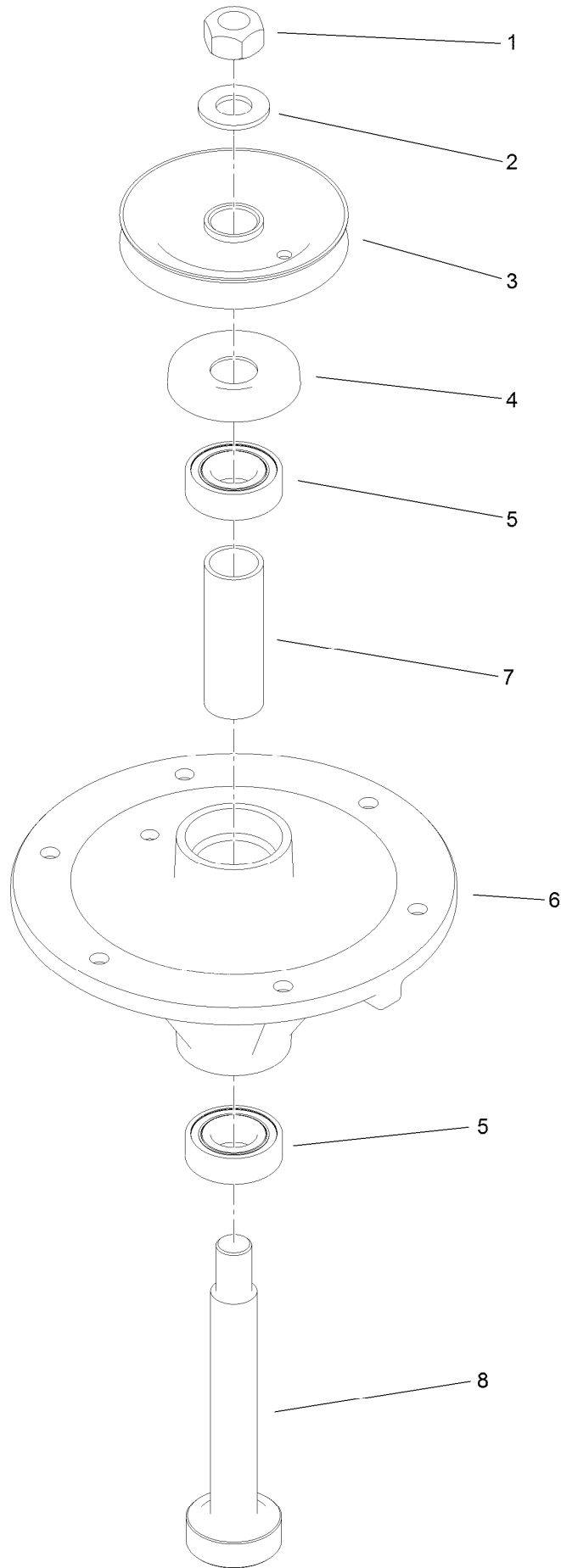


Spindle Assembly No. 117-7636 (continued)

<i>Ref.</i>	<i>Part Number</i>	<i>Qty.</i>	<i>Description</i>
1	3219-7	1	Nut-Hex
2	7-4150	1	Washer
3	117-7616	1	Pulley ASM
4	106-0873	1	Shield-Bearing

<i>Ref.</i>	<i>Part Number</i>	<i>Qty.</i>	<i>Description</i>
5	116-0720	2	Bearing-Ball
6	108-6696	1	Housing-Spindle
7	110-0727	1	Spacer-Bearing
8	117-7626	1	Shaft-Spindle

Spindle Assembly No. 117-7640

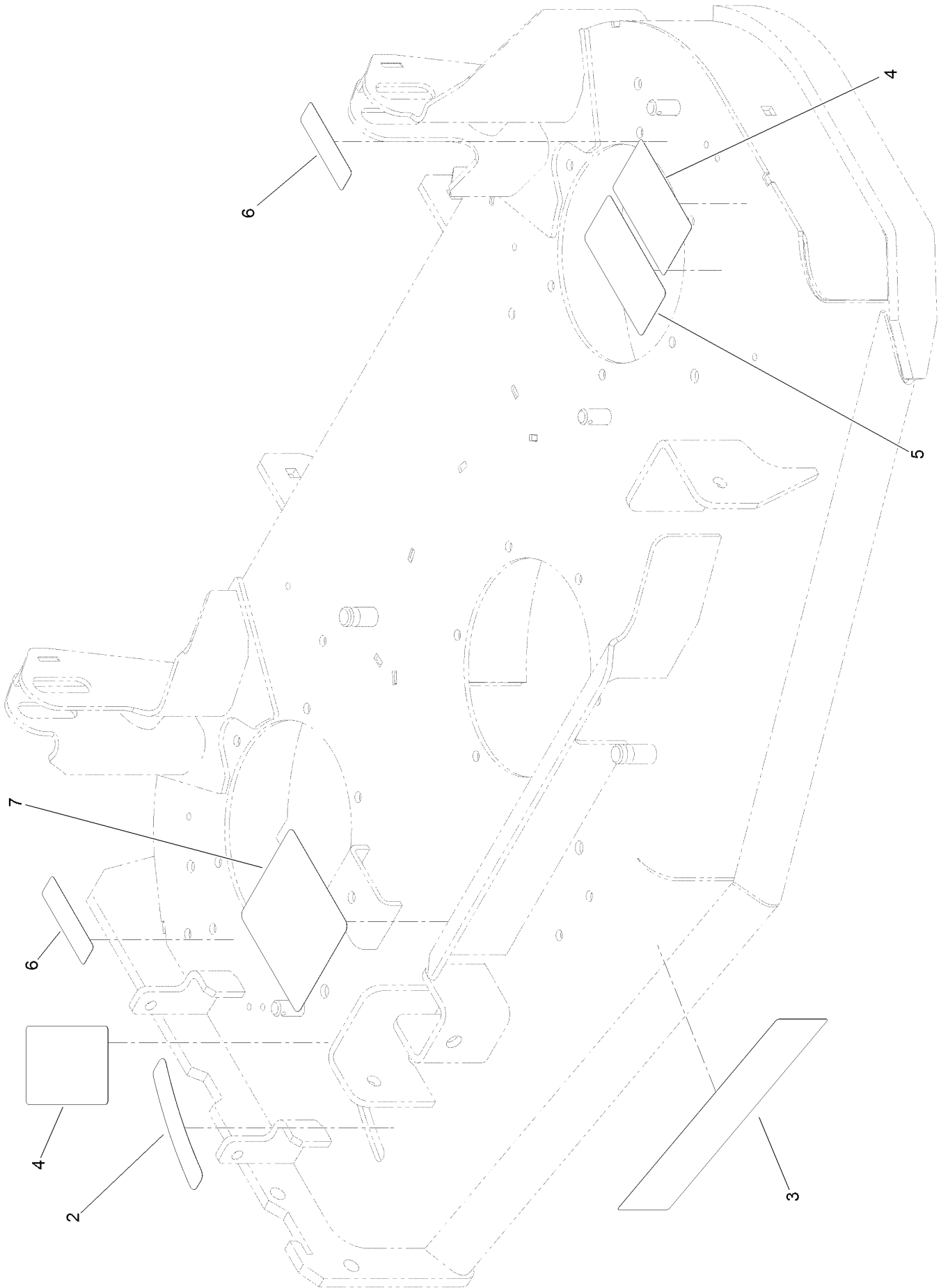


Spindle Assembly No. 117-7640 (continued)

<i>Ref.</i>	<i>Part Number</i>	<i>Qty.</i>	<i>Description</i>
1	3219-7	1	Nut-Hex
2	7-4150	1	Washer
3	117-7617	1	Pulley ASM
4	106-0873	1	Shield-Bearing

<i>Ref.</i>	<i>Part Number</i>	<i>Qty.</i>	<i>Description</i>
5	116-0720	2	Bearing-Ball
6	108-6696	1	Housing-Spindle
7	110-0727	1	Spacer-Bearing
8	117-7626	1	Shaft-Spindle

Deck Decal Assembly No. 121-6020



Deck Decal Assembly No. 121-6020 (continued)

<i>Ref.</i>	<i>Part Number</i>	<i>Qty.</i>	<i>Description</i>	<i>Ref.</i>	<i>Part Number</i>	<i>Qty.</i>	<i>Description</i>
2	110-2067	1	Decal-Setting, Baffle	5	93-7818	1	Decal-Torque, Blade Bolt
3	119-0198	1	Decal	6	119-0217	2	Decal-Danger
4	121-6049	2	Decal-Danger	7	119-0187	1	Decal-Routing, Belt

Attachments and Accessories

For 74536TE GrandStand Mower With 102cm TURBO FORCE Cutting Unit

Product Name	Model/Part
40in Bagger Enhancement Kit	110-2025
40in Recycler Kit.....	110-2070
Turbo Plate Kit.....	110-6902
Light Kit.....	114-3505
Hypr-Oil 500 (quart).....	114-4713
Hypr-Oil 500 (gallon).....	114-4714
Hypr-Oil 500-5 (5 gallon).....	114-4715
Blade-Recycler, 14in (6-pack).....	114-4961
Blade-Low Flow, 14in (6-pack).....	114-4962
Blade-Mid Flow, 14in (6-pack)	114-4963
Blade-High Flow, 14in (6-pack).....	114-4964
Weight Kit	117-3620
Striping Kit	117-8560
Operator-Controlled Discharge Chute Kit with Bag	117-8565
Oil Filter	119-5852
Fuel Filter.....	120-2235
Air Filter Element	120-7447
Trash Bag Kit	121-7530
Soft Bag (3 Bushel).....	30104
Spark Plug	92-2153
Spark Arrestor	98-9099

Notes:



Count on it.