



**Count on it.**

**Parts Catalog**

**21in Heavy-Duty Recycler®/Rear  
Bagger**

**Lawn Mower**

**Model No. 22296—Serial No. 405400000 and Up**



# Ordering Replacement Parts

To order replacement parts, please supply the part number, the quantity, and the description of each part desired.

## Understanding Reference Numbers

Each identified part in an illustration has a reference number. The reference number for a part also appears in the parts list, along with other information about the part.

This catalog uses two special reference number formats, one to indicate parts in a service assembly and another to indicate the quantity of a given part in an illustration.

## Service Assembly Reference Numbers

Parts in service assemblies have reference numbers in the form a:b. The a represents the reference number of the entire service assembly and the b represents a sequential number unique to each part within the service assembly.

For example, a wheel assembly might be identified by reference number 6, the tire by 6:1, the valve by 6:2, and the wheel by 6:3. When you order the assembly identified by reference number 6, you receive all parts identified by reference numbers 6:1, 6:2, and 6:3. However, you may also order any part individually. Reference numbers of this type appear in illustration and in parts lists.

## Reference Numbers Indicating Quantity

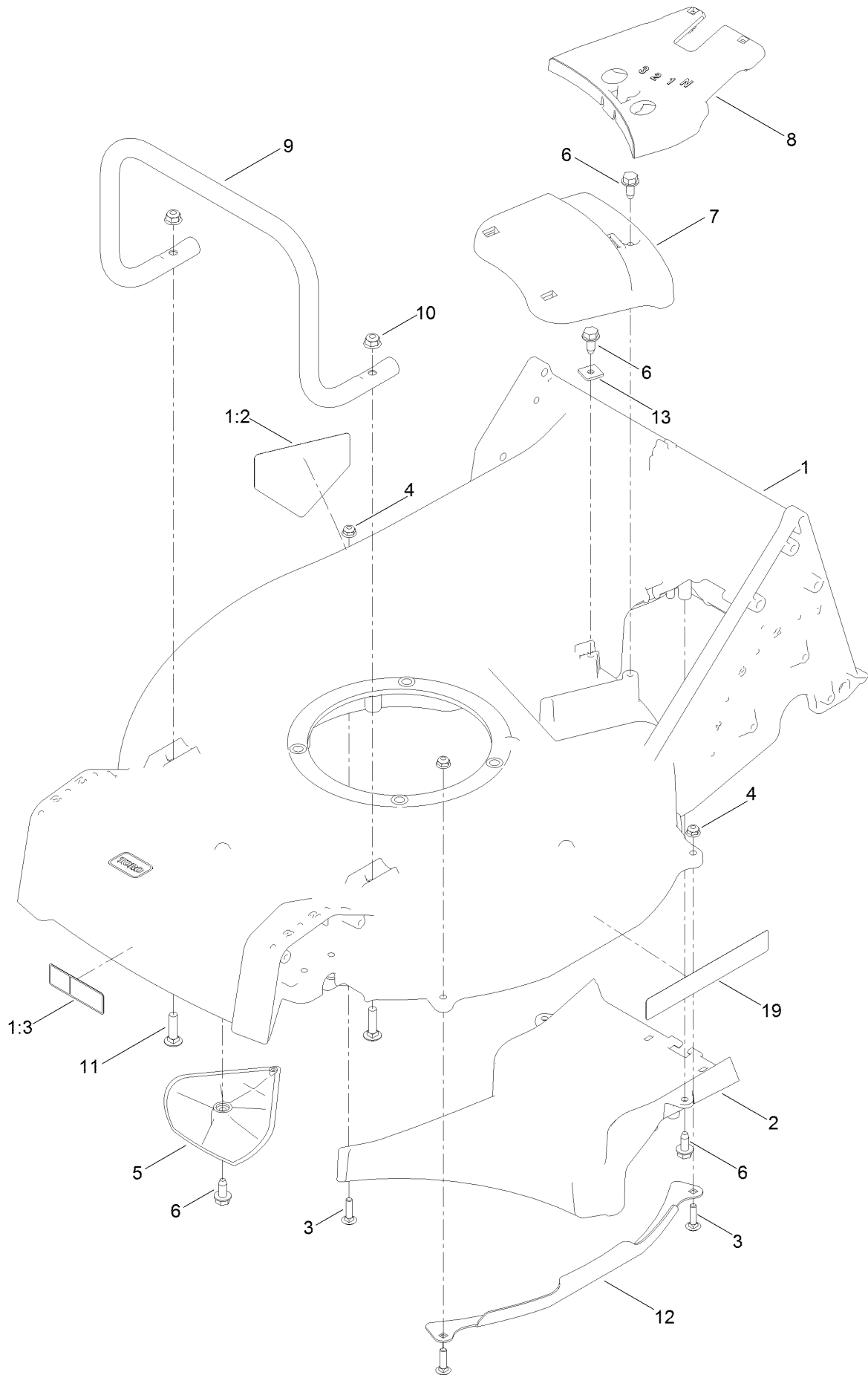
In an illustration, if a reference number indicates more than one part, the reference number has the form nX y. The n represents the quantity of the part, the X is the multiplication symbol, and the y represents the reference number.

For example, in an illustration, the reference number 2X 37 means that two of the parts identified by reference number 37 are indicated.

# Contents

|  |    |
|--|----|
| Housing Assembly .....                       | 4  |
| Grass Bag Assembly .....                     | 6  |
| Engine and Blade Assembly .....              | 8  |
| Front Wheel and Height-of-Cut Assembly ..... | 10 |
| Transmission and Rear Wheel Assembly .....   | 12 |
| Transmission Assembly No. 131-5350 .....     | 14 |
| Handle and Control Assembly .....            | 16 |
| Attachments and Accessories .....            | 18 |

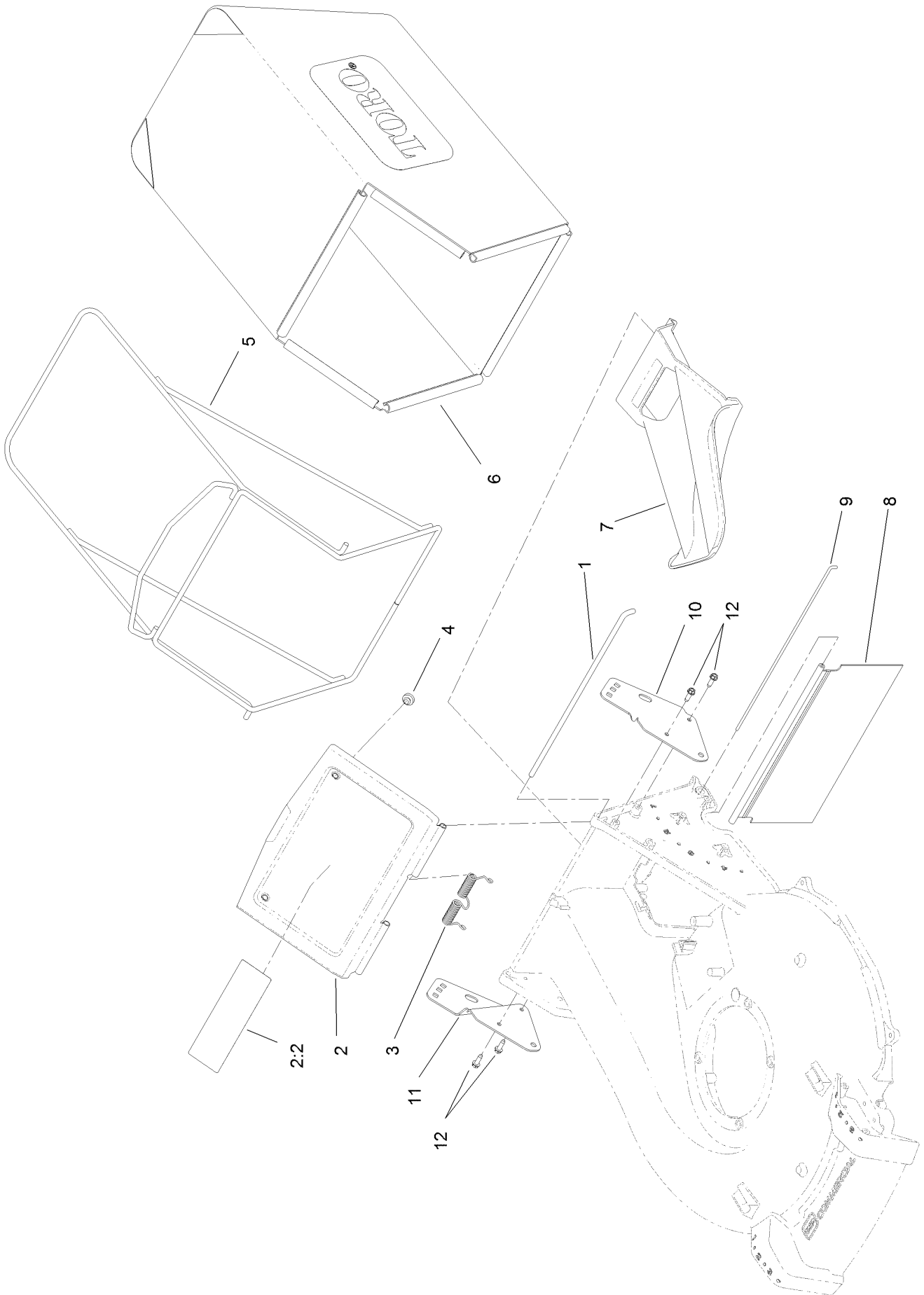
# Housing Assembly



## Housing Assembly (continued)

| <i>Ref.</i> | <i>Part Number</i> | <i>Qty.</i> | <i>Description</i>   | <i>Ref.</i> | <i>Part Number</i> | <i>Qty.</i> | <i>Description</i> |
|-------------|--------------------|-------------|----------------------|-------------|--------------------|-------------|--------------------|
| 1           | 136-5896           | 1           | Housing ASM          | 7           | 125-5038           | 1           | Cover-Belt, Front  |
| 1:2         | 94-8072            | 1           | Decal-Danger         | 8           | 125-5039           | 1           | Cover-Belt, Rear   |
| 1:3         | 130-9670           | 1           | Decal-Warning, Blade | 9           | 125-1003-03        | 1           | Guard-Engine       |
| 2           | 125-1002-01        | 1           | Floor-Chute          | 10          | 104-8300           | 2           | Nut-HF, NI         |
| 3           | 3229-2             | 4           | Screw-CARR           | 11          | 3230-3             | 2           | Screw-CARR         |
| 4           | 104-7201           | 4           | Nut-HF               | 12          | 125-1047-03        | 2           | Guard-Side, Deck   |
| 5           | 125-5041           | 2           | Kicker               | 13          | 125-8387           | 1           | Clamp-Cable        |
| 6           | 49-2040            | 6           | Screw-HWHTF          | 19          | 119-2368           | 2           | Decal-Recycler     |

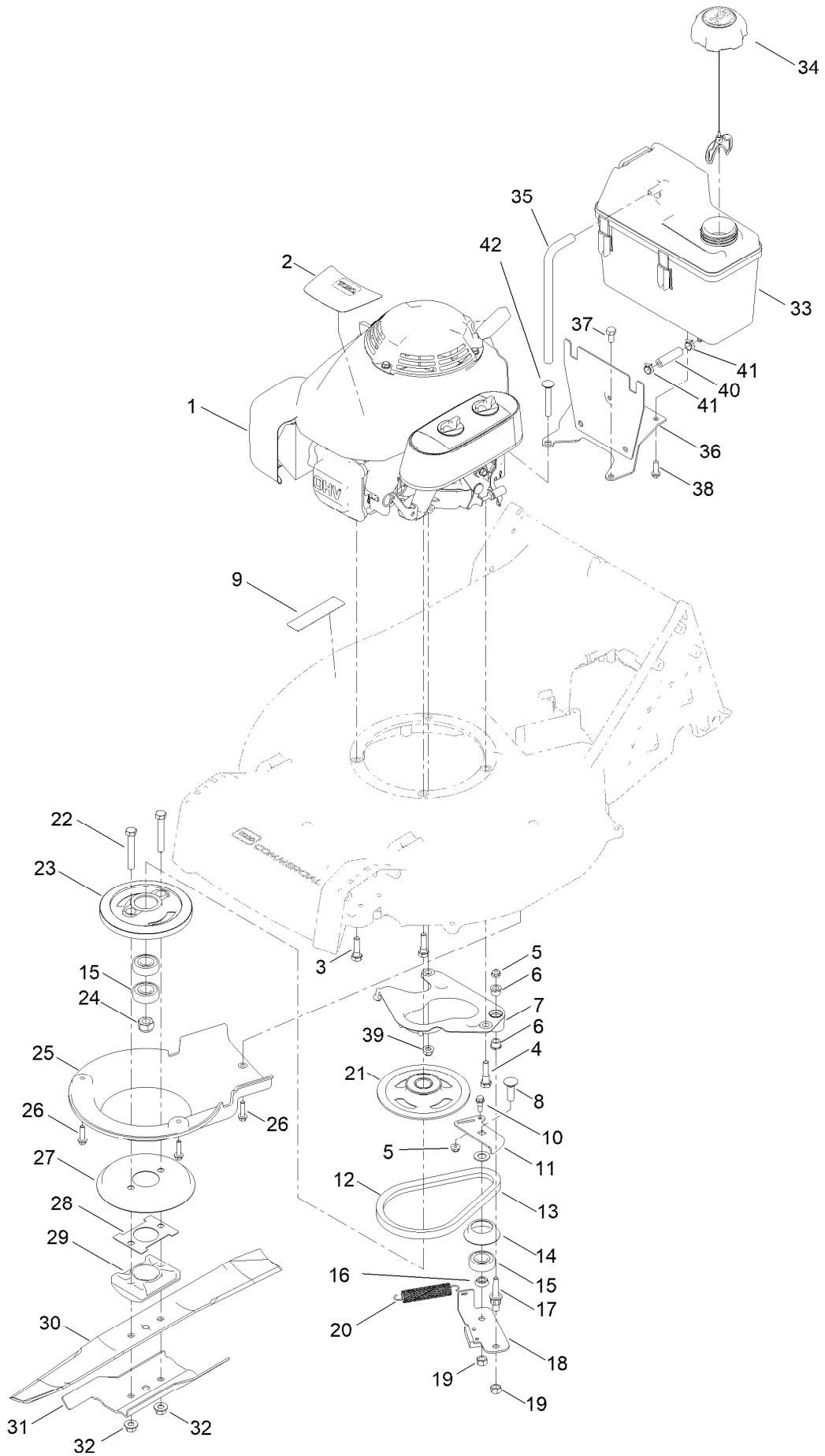
# Grass Bag Assembly



## Grass Bag Assembly (continued)

| <i>Ref.</i> | <i>Part Number</i> | <i>Qty.</i> | <i>Description</i> | <i>Ref.</i> | <i>Part Number</i> | <i>Qty.</i> | <i>Description</i>         |
|-------------|--------------------|-------------|--------------------|-------------|--------------------|-------------|----------------------------|
| 1           | 125-1017           | 1           | Rod-Door, Bag      | 7           | 125-1008           | 1           | Plug-Mulch                 |
| 2           | 125-8402           | 1           | Bag Door ASM       | 8           | 125-1007           | 1           | Shield-Trailing            |
| 2:2         | 116-7583           | 1           | Decal-Warning      | 9           | 125-8413           | 1           | Rod-Shield, Trailing       |
| 3           | 125-1019           | 1           | Spring-Torsion     | 10          | 133-8193-03        | 1           | Bracket-Mount, Handle (LH) |
| 4           | 1-513658           | 2           | Bumper             | 11          | 133-8194-03        | 1           | Bracket-Mount, Handle (RH) |
| 5           | 121-1399-03        | 1           | Frame-Bag          | 12          | 32144-70           | 4           | Screw-HWHTF                |
| 6           | 125-1030           | 1           | Bag-Grass          |             |                    |             |                            |

# Engine and Blade Assembly





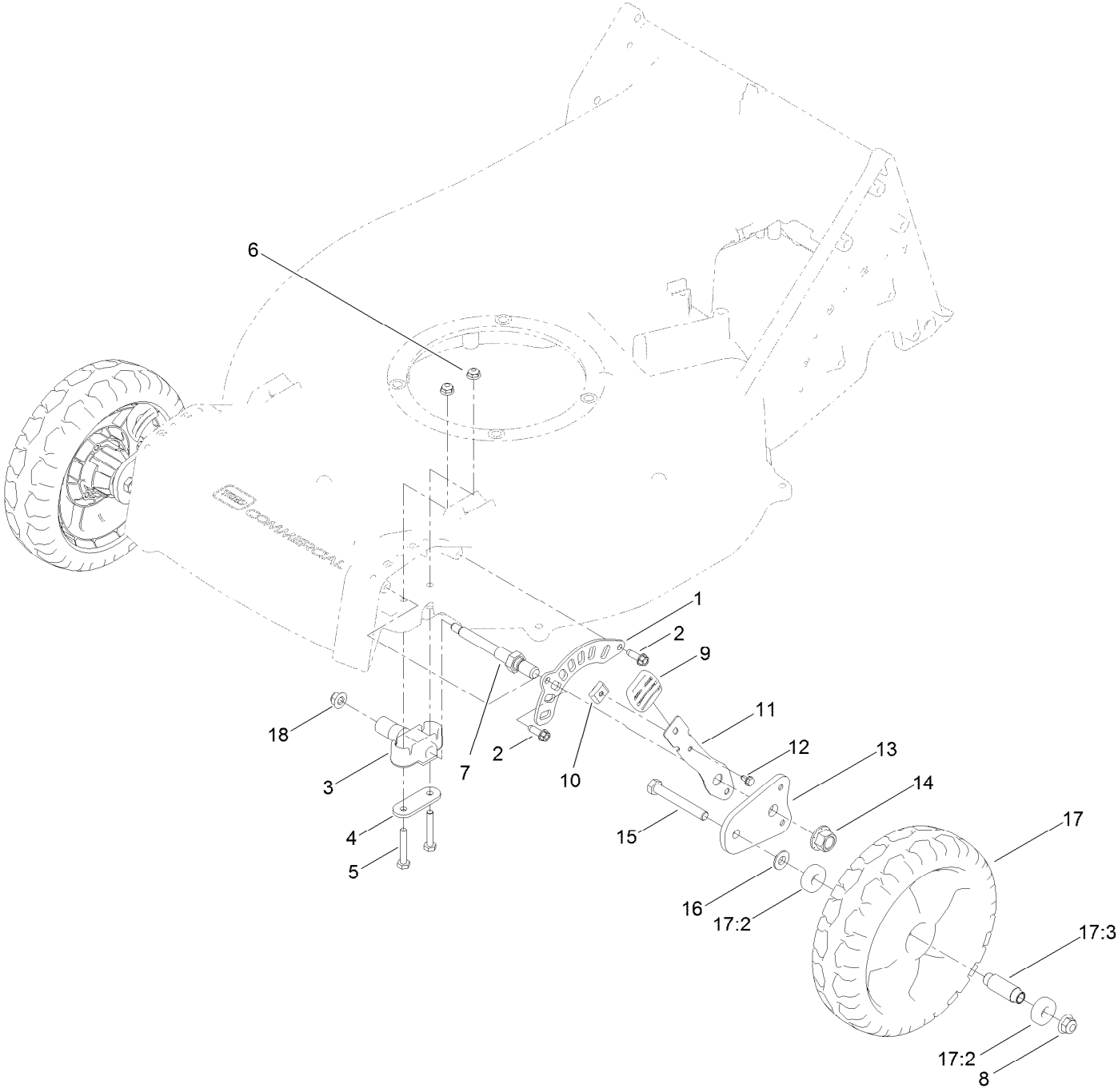
## Engine and Blade Assembly (continued)

| <i>Ref.</i> | <i>Part Number</i> | <i>Qty.</i> | <i>Description</i>             | <i>Ref.</i> | <i>Part Number</i> | <i>Qty.</i> | <i>Description</i>    |
|-------------|--------------------|-------------|--------------------------------|-------------|--------------------|-------------|-----------------------|
| 1           |                    | 1           | Engine-Honda, Gxv160 Gas<br>●■ | 22          | 3211-42            | 2           | Screw-HH              |
| 2           | 125-8405           | 1           | Decal-Engine, Honda            | 23          | 126-8108           | 1           | Drum                  |
| 3           | 125-1074           | 2           | Screw-HH                       | 24          | 108-9342           | 1           | Nut-Hex               |
| 4           | 103-2678           | 1           | Screw-Shoulder                 | 25          | 125-1006           | 1           | Cover                 |
| 5           | 104-7201           | 2           | Nut-HF                         | 26          | 32144-86           | 3           | Screw-HWHTF           |
| 6           | 130-2377           | 2           | Bushing-Flange                 | 27          | 138-3225           | 1           | Disk                  |
| 7           | 130-2375           | 1           | Plate-Anchor                   | 28          | 130-6404-01        | 1           | Spacer-Driver, Blade  |
| 8           | 3231-25            | 1           | Bolt-CARR                      | 29          | 107-7487           | 1           | Support-Blade         |
| 9           | 133-8062           | 1           | Decal-Arrestor, Spark          | 30          | 133-8183-03        | 1           | Blade-Recycling, 21In |
| 10          | 42-3560            | 1           | Bolt-Shoulder                  | 31          | 125-1069-03        | 1           | Accelerator-Blade     |
| 11          | 125-8446           | 1           | Plate-Guide, BBC               | 32          | 127-6852           | 2           | Nut-Flange, Lock      |
| 12          | 110-1790           | 1           | Belt                           | 33          | 114-0280           | 1           | Tank-Fuel             |
| 13          | 605256             | 1           | Spacer                         | 34          | 137-4127           | 1           | Cap-Fuel              |
| 14          | 138-3217           | 1           | Retainer-Belt                  | 35          | 115-0962           | 1           | Hose-Vent, Canister   |
| 15          | 38-7820            | 3           | Bearing-Ball                   | 36          | 119-7837-03        | 1           | Mount-Tank            |
| 16          | 107-0758           | 1           | Spacer-Bearing                 | 37          | 3210-2             | 1           | Screw-HH              |
| 17          | 130-9699           | 1           | Bolt-Shoulder                  | 38          | 46-8091            | 2           | Screw-HWH             |
| 18          | 125-1063           | 1           | Plate-Brake                    | 39          | 104-8300           | 1           | Nut-HF, NI            |
| 19          | 125-5069           | 2           | Nut-Hex                        | 40          | 119-7856           | 1           | Hose-Fuel             |
| 20          | 108-3792           | 1           | Spring-Tension, Brake          | 41          | 2412-98            | 2           | Clamp-Hose            |
| 21          | 117-5970           | 1           | Pulley                         | 42          | 3230-7             | 1           | Bolt-CARR             |

● Not serviced separately

■ Obtain parts from [www.honda-engines.com](http://www.honda-engines.com)

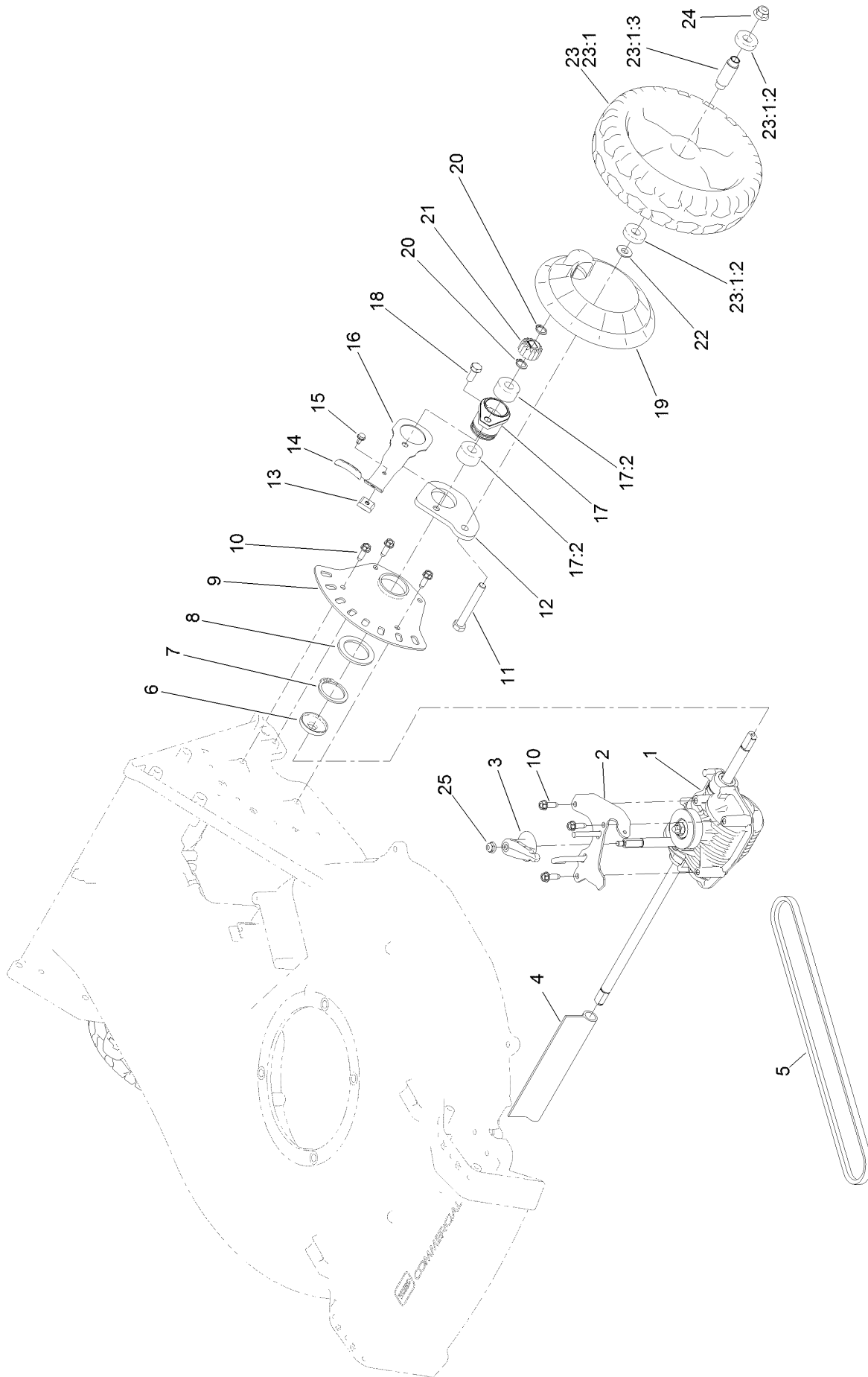
# Front Wheel and Height-of-Cut Assembly



## Front Wheel and Height-of-Cut Assembly (continued)

| <i>Ref.</i> | <i>Part Number</i> | <i>Qty.</i> | <i>Description</i>        | <i>Ref.</i> | <i>Part Number</i> | <i>Qty.</i> | <i>Description</i>  |
|-------------|--------------------|-------------|---------------------------|-------------|--------------------|-------------|---------------------|
| 1           | 121-1439           | 2           | Plate-HOC, Front          | 11          | 121-1431-03        | 2           | Arm-Spring          |
| 2           | 49-2040            | 4           | Screw-HWHTF               | 12          | 104-2065           | 2           | Screw-HWH           |
| 3           | 136-5871           | 2           | Bushing-Axle, Front (HOC) | 13          | 130-6420           | 2           | Arm-Pivot, Front    |
| 4           | 130-6434           | 2           | Retainer-Bushing, Axle    | 14          | 99-5107            | 2           | Nut-Lock            |
| 5           | 321-37             | 4           | Screw-HH                  | 15          | 323-13             | 2           | Screw-HH            |
| 6           | 104-7201           | 4           | Nut-HF                    | 16          | 74-1671            | 2           | Spacer-Cover, Wheel |
| 7           | 133-2644           | 2           | Axle-Front HOC            | 17          | 133-2639           | 2           | Wheel               |
| 8           | 104-8301           | 2           | Nut-HF, NI                | 17:2        | 133-2603           | 2           | Bearing-Ball        |
| 9           | 125-1093           | 2           | Knob-Lever, HOC           | 17:3        | 125-1077           | 1           | Spacer              |
| 10          | 131-5377           | 2           | Key-Arm, Spring           | 18          | 104-8300           | 2           | Nut-HF, NI          |

# Transmission and Rear Wheel Assembly

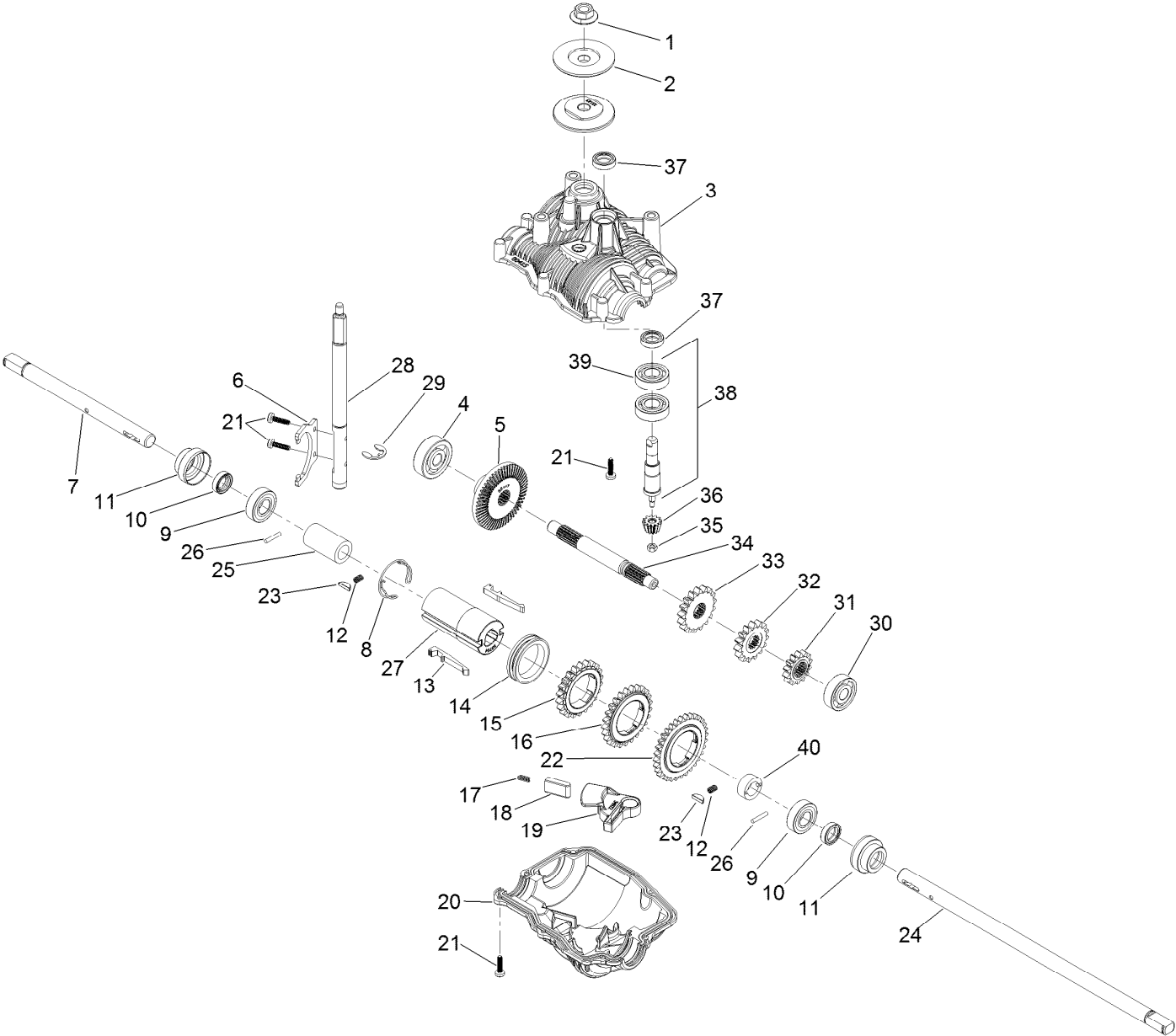


## Transmission and Rear Wheel Assembly (continued)

| <i>Ref.</i> | <i>Part Number</i> | <i>Qty.</i> | <i>Description</i>        | <i>Ref.</i> | <i>Part Number</i> | <i>Qty.</i> | <i>Description</i>   |
|-------------|--------------------|-------------|---------------------------|-------------|--------------------|-------------|----------------------|
| 1           | 131-5350           | 1           | Transmission              | 16          | 121-1448-03        | 2           | Arm-Spring, Rear     |
| 2           | 125-5090-03        | 1           | Guide-Belt                | 17          | 136-5894           | 2           | Bearing Retainer ASM |
| 3           | 125-5040           | 1           | Lever-Shift               | 17:2        | 133-2606           | 2           | Bearing-Ball, Custom |
| 4           | 130-9681           | 1           | Cover-Shaft, Transmission | 18          | 133-2668           | 2           | Screw-HH             |
| 5           | 125-1011           | 1           | Belt-V                    | 19          | 133-2635           | 2           | Cover-Wheel          |
| 6           | 127-6848           | 2           | Cover-Bearing             | 20          | 32151-61           | 4           | Ring-Retaining       |
| 7           | 32151-10           | 2           | Ring-Retaining            | 21          | 131-5399           | 2           | Gear-Pinion, 15T     |
| 8           | 98-1452            | 2           | Washer-Thrust             | 22          | 74-1671            | 2           | Spacer-Cover, Wheel  |
| 9           | 130-6422           | 2           | Plate-HOC, Rear           | 23          | 133-2640           | 2           | 9-Inch Wheel ASM     |
| 10          | 49-2040            | 9           | Screw-HWHTF               | 23:1        |                    | 1           | Wheel ●              |
| 11          | 323-13             | 2           | Screw-HH                  | 23:1:2      | 133-2603           | 2           | Bearing-Ball         |
| 12          | 133-2641           | 2           | Arm-Pivot, Rear           | 23:1:3      | 125-1077           | 1           | Spacer               |
| 13          | 131-5377           | 2           | Key-Arm, Spring           | 24          | 104-8301           | 2           | Nut-HF, NI           |
| 14          | 125-1093           | 2           | Knob-Lever, HOC           | 25          | 104-7201           | 1           | Nut-HF               |
| 15          | 104-2065           | 2           | Screw-HWH                 |             |                    |             |                      |

● Not serviced separately

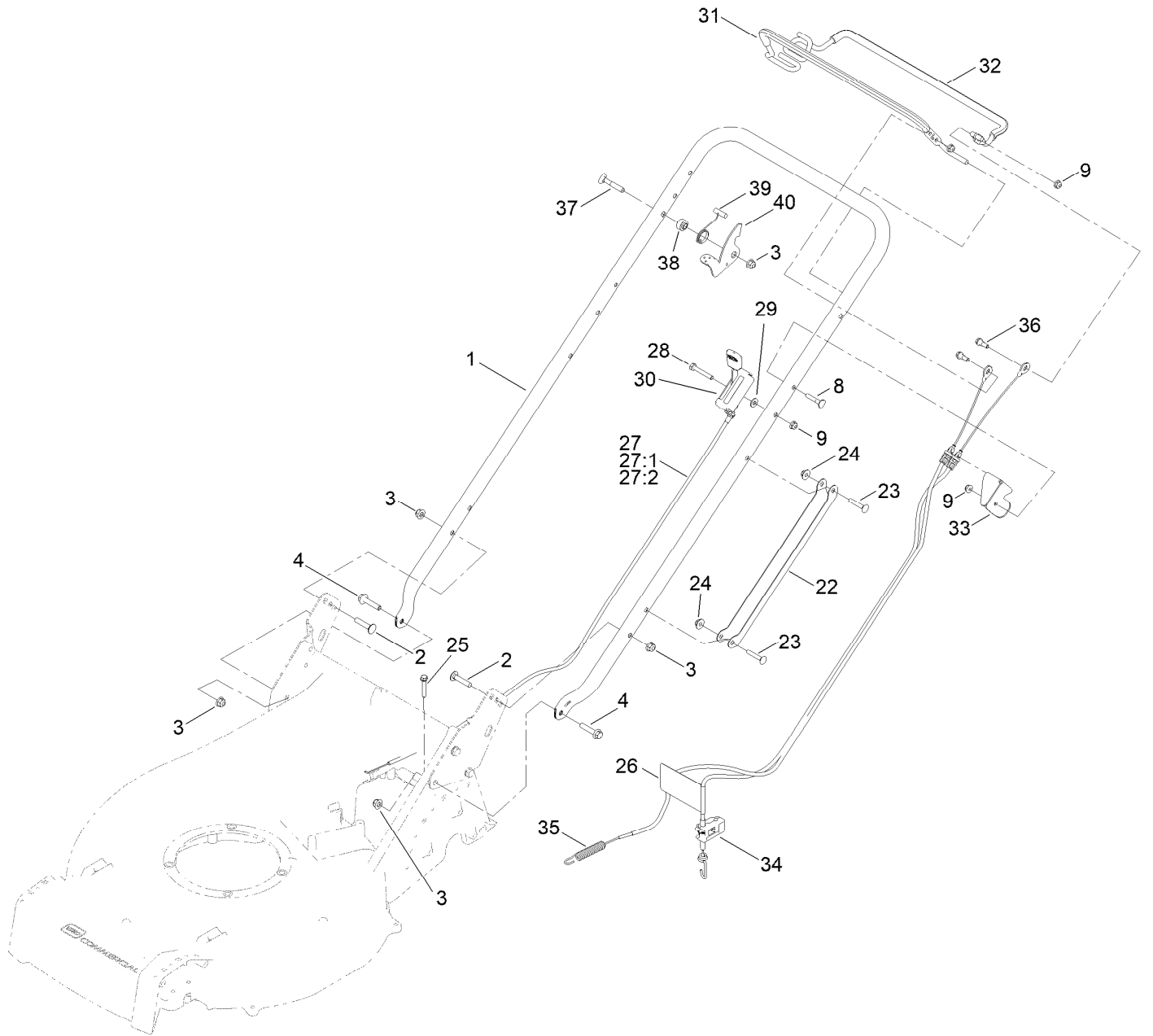
# Transmission Assembly No. 131-5350



## Transmission Assembly No. 131-5350 (continued)

| <i>Ref.</i> | <i>Part Number</i> | <i>Qty.</i> | <i>Description</i>       | <i>Ref.</i> | <i>Part Number</i> | <i>Qty.</i> | <i>Description</i>          |
|-------------|--------------------|-------------|--------------------------|-------------|--------------------|-------------|-----------------------------|
| 1           | 130-2301           | 1           | Nut-Flange               | 21          | 130-2302           | 10          | Screw                       |
| 2           | 130-2326           | 2           | Flange-Pulley            | 22          | 130-2317           | 1           | Gear-Output, 32 Tooth       |
| 3           | 130-2336           | 1           | Case-Upper, Transmission | 23          | 133-2614           | 2           | Key                         |
| 4           | 130-2318           | 1           | Bearing-Ball             | 24          | 133-2612           | 1           | Shaft-Output, Long          |
| 5           | 130-2311           | 1           | Gear-Bevel, 53 Tooth     | 25          | 133-2617           | 1           | Spacer-Long                 |
| 6           | 130-2327           | 1           | Fork-Shift               | 26          | 133-2616           | 2           | Pin                         |
| 7           | 133-2611           | 1           | Shaft-Output, Short      | 27          | 133-2613           | 1           | Hub-Gear, Output            |
| 8           | 130-2322           | 1           | Spring-Retaining         | 28          | 130-2306           | 1           | Shaft-Shift                 |
| 9           | 130-9708           | 2           | Bearing-Ball             | 29          | 130-2304           | 1           | Ring-Retaining              |
| 10          | 130-2325           | 2           | Seal                     | 30          | 130-2319           | 1           | Bearing-Ball                |
| 11          | 130-2333           | 2           | Bushing-Shaft, Output    | 31          | 130-2314           | 1           | Gear-Intermediate, 14 Tooth |
| 12          | 133-2615           | 2           | Spring                   | 32          | 130-2313           | 1           | Gear-Intermediate, 15 Tooth |
| 13          | 130-2328           | 2           | Key-Shift                | 33          | 130-2312           | 1           | Gear-Intermediate, 17 Tooth |
| 14          | 130-2329           | 1           | Ring-Shift               | 34          | 130-2307           | 1           | Shaft-Intermediate          |
| 15          | 130-2315           | 1           | Gear-Output, 22 Tooth    | 35          | 130-2303           | 1           | Nut-Shaft, Input            |
| 16          | 130-2316           | 1           | Gear-Output, 25 Tooth    | 36          | 130-2310           | 1           | Gear-Bevel, 12 Tooth        |
| 17          | 130-2321           | 1           | Spring-Indexing, Shifter | 37          | 130-2324           | 2           | Seal                        |
| 18          | 130-2332           | 1           | Pin-Indexing, Shifter    | 38          | 130-2300           | 1           | Shaft-Input                 |
| 19          | 130-2331           | 1           | Lever-Indexing, Shifter  | 39          | 130-9708           | 2           | Bearing-Ball                |
| 20          | 130-2337           | 1           | Case-Lower, Transmission | 40          | 133-2618           | 1           | Spacer-Short                |

# Handle and Control Assembly





## Handle and Control Assembly (continued)

| <i>Ref.</i> | <i>Part Number</i> | <i>Qty.</i> | <i>Description</i>                | <i>Ref.</i> | <i>Part Number</i> | <i>Qty.</i> | <i>Description</i>    |
|-------------|--------------------|-------------|-----------------------------------|-------------|--------------------|-------------|-----------------------|
| 1           | 137-4817-03        | 1           | Handle                            | 27:2        | 130-6401           | 1           | Control-Throttle      |
| 2           | 3230-4             | 2           | Bolt-CARR                         | 28          | 321-10             | 1           | Screw-HH              |
| 3           | 104-8300           | 5           | Nut-HF, NI                        | 29          | 3256-22            | 1           | Washer-Flat           |
| 4           | 115-1794           | 2           | Screw-HHF                         | 30          | 130-9656           | 1           | Decal-Throttle, Choke |
| 8           | 117-7737           | 1           | Screw-Handle                      | 31          | 137-4810           | 1           | Bail-BBC, Coated      |
| 9           | 104-7201           | 4           | Nut-HF                            | 32          | 139-1815           | 1           | Bail-Traction, Coated |
| 22          | 127-6897-03        | 1           | Guard-Cable, Handle               | 33          | 137-4766-03        | 1           | Bracket-Cable         |
| 23          | 108-0988           | 2           | Screw-CARR                        | 34          | 137-4768           | 1           | Cable-Traction        |
| 24          | 114-3778           | 2           | Nut-HF                            | 35          | 137-4769           | 1           | Cable-BBC             |
| 25          | 94-2691            | 1           | Screw-HWH                         | 36          | 42-3560            | 2           | Bolt-Shoulder         |
| 26          | 130-6722           | 1           | Decal-Adjust Self Propel<br>Drive | 37          | 112-8876           | 1           | Screw-Handle          |
| 27          | 125-8374           | 1           | Control-Throttle/Choke            | 38          | 116-2690           | 1           | Bushing-Stepped       |
| 27:1        | 130-6400           | 1           | Cable-Throttle                    | 39          | 109-9318           | 1           | Spring-Lever, BBC     |
|             |                    |             |                                   | 40          | 116-2998           | 1           | Lever-BBC             |

# Attachments and Accessories

## For 22296 21in Heavy-Duty Recycler/Rear Bagger Lawn Mower

| <b>Product Name</b>       | <b>Model/Part</b> |
|---------------------------|-------------------|
| Blade-Bagging, 21in ..... | 125-1072-03       |
| Cup-Anti Scalp.....       | 125-8440          |
| Rear Discharge Kit.....   | 130-9734          |

**Notes:**



**Count on it.**