



Count on it.

Parts Catalog

Reelmaster® 3100-D

With Sidewinder®

Model No. 03200—Serial No. 200000001 and Up

Model No. 03201—Serial No. 200000001 and Up



Ordering Replacement Parts

To order replacement parts, please supply the part number, the quantity, and the description of each part desired.

Understanding Reference Numbers

Each identified part in an illustration has a reference number. The reference number for a part also appears in the parts list, along with other information about the part.

This catalog uses two special reference number formats, one to indicate parts in a service assembly and another to indicate the quantity of a given part in an illustration.

Service Assembly Reference Numbers

Parts in service assemblies have reference numbers in the form a:b. The a represents the reference number of the entire service assembly and the b represents a sequential number unique to each part within the service assembly.

For example, a wheel assembly might be identified by reference number 6, the tire by 6:1, the valve by 6:2, and the wheel by 6:3. When you order the assembly identified by reference number 6, you receive all parts identified by reference numbers 6:1, 6:2, and 6:3. However, you may also order any part individually. Reference numbers of this type appear in illustration and in parts lists.

Reference Numbers Indicating Quantity

In an illustration, if a reference number indicates more than one part, the reference number has the form nX y. The n represents the quantity of the part, the X is the multiplication symbol, and the y represents the reference number.

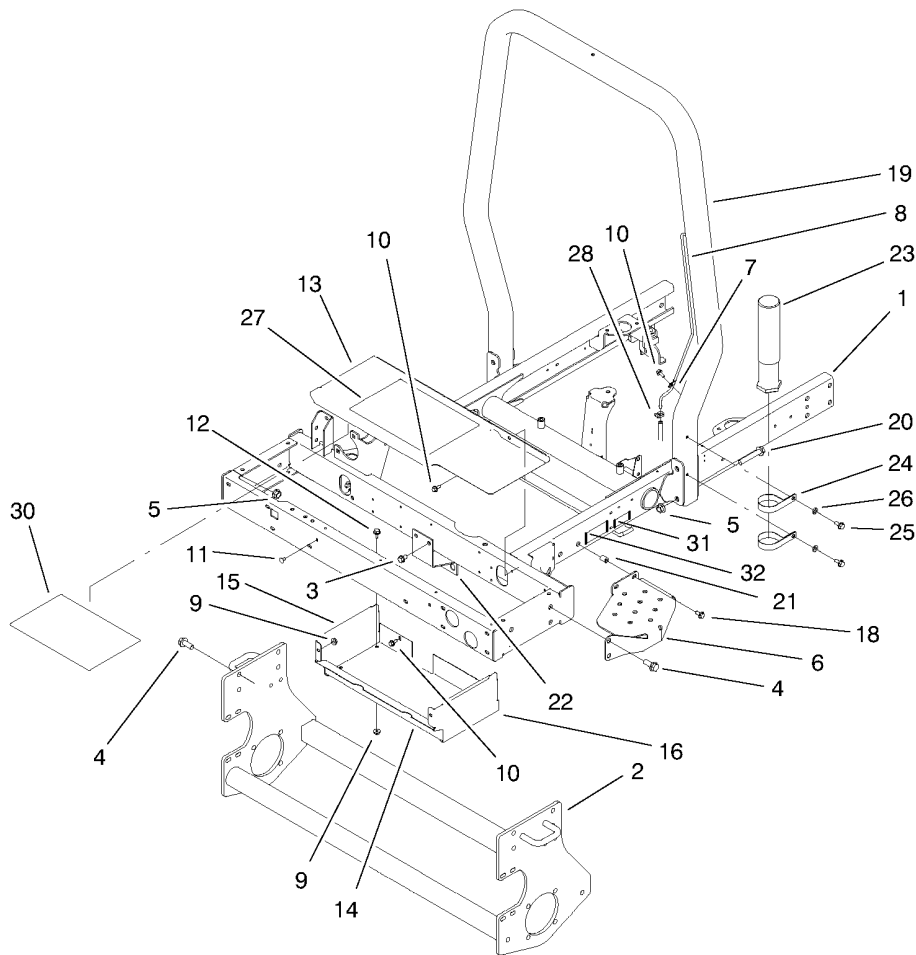
For example, in an illustration, the reference number 2X 37 means that two of the parts identified by reference number 37 are indicated.

Contents

Frame And Platform Assembly	5
Hood and Screen Assembly	6
Steering Column Assembly	7
Steering Control Valve Assembly No. 100-4909	8
Front Wheel And Brake Assembly	9
Hydraulic Motor Assembly No. 75-9990	10
Hydraulic Motor Assembly No. 95-8693	11
Rear Fork And Tire Assembly	12
Hydraulic Cylinder Assembly No. 94-8141	13
Hydraulic Motor Assembly No. 95-8694	14
Control Panel Assembly	15
Parking Brake Assembly	16
Battery Assembly	17
Rocker Arm Assembly	18
Traction Pedal Assembly	19
Control Valve Assembly (model No. 03200)	20
Control Valve Assembly No. 95-8689 (model No. 03200)	21
Control Valve Assembly (model No. 03201)	22
Control Valve Assembly No. 95-8581 (model No. 03201)	23
Neutral Arm Assembly	24
Fuel System Assembly	25
Water / Fuel Separator Filter Assembly No. 98-9305	26
Hydraulic Tank Assembly	27
Hydrostat Assembly	28
Gear Pump Assembly No. 95-8601	30
Piston Pump Assembly No. 100-4819	31
Manifold Block Assembly	32
Hydraulic Manifold Assembly No. 95-8675	33
Scissors Assembly (model No. 03201 Only)	34
Rear Lift Arm Assembly	35
Carrier Assembly	37
Hydraulic Cylinder Assembly No. 95-8978	39
Cutting Unit Drive Assembly	40
Hydraulic Motor Assembly No. 99-3627	41
Hydraulic Motor Assembly No. 93-6975	42
Radiator Assembly	43
Muffler And Air Cleaner Assembly	44
Engine Assembly	46
Crankcase Assembly	47
Oil Pan Assembly	48
Cylinder Head Assembly	49
Gear Case and Oil Filter Assembly	50
Head Cover Assembly	51
Dipstick and Guide Assembly	52
Main Bearing Case Assembly	53
Camshaft Assembly	54
Piston and Crankshaft Assembly	55
Flywheel Assembly	57
Fuel Camshaft Assembly	58
Engine Stop Lever Assembly	59
Stop Solenoid and Fuel Pump Assembly	60
Injection Pump Assembly	61
Injection Pump Assembly (continued)	62
Governor Assembly	63

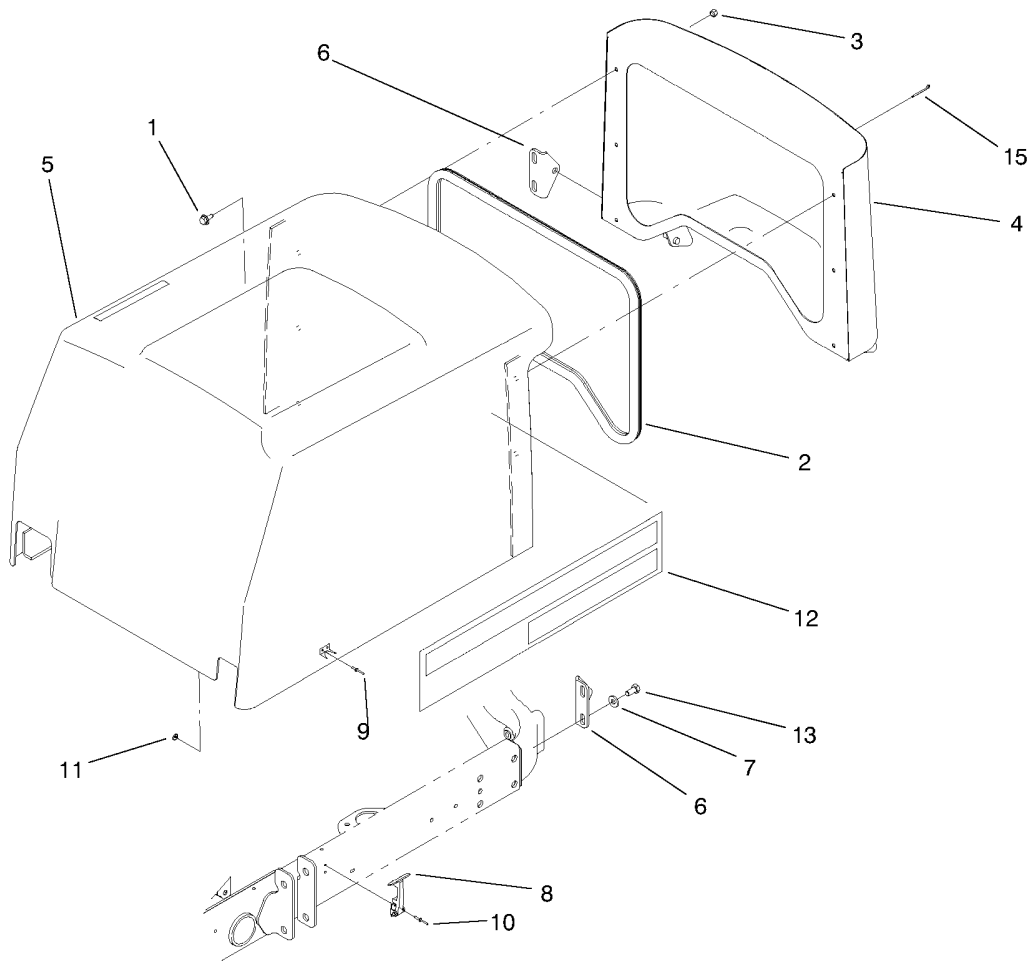
Contents (continued)

Speed Control Plate Assembly	64
Nozzle Holder and Glow Plug Assembly	65
Nozzle Holder Assembly	66
Alternator and Pulley Assembly	67
Alternator Assembly	68
Starter Mount Assembly	69
Starter Assembly No. 98-9705	70
Water Flange and Thermostat Assembly	71
Water Pump Assembly	72
Valve and Rocker Arm Assembly	73
Exhaust Manifold and Gasket Assembly	74



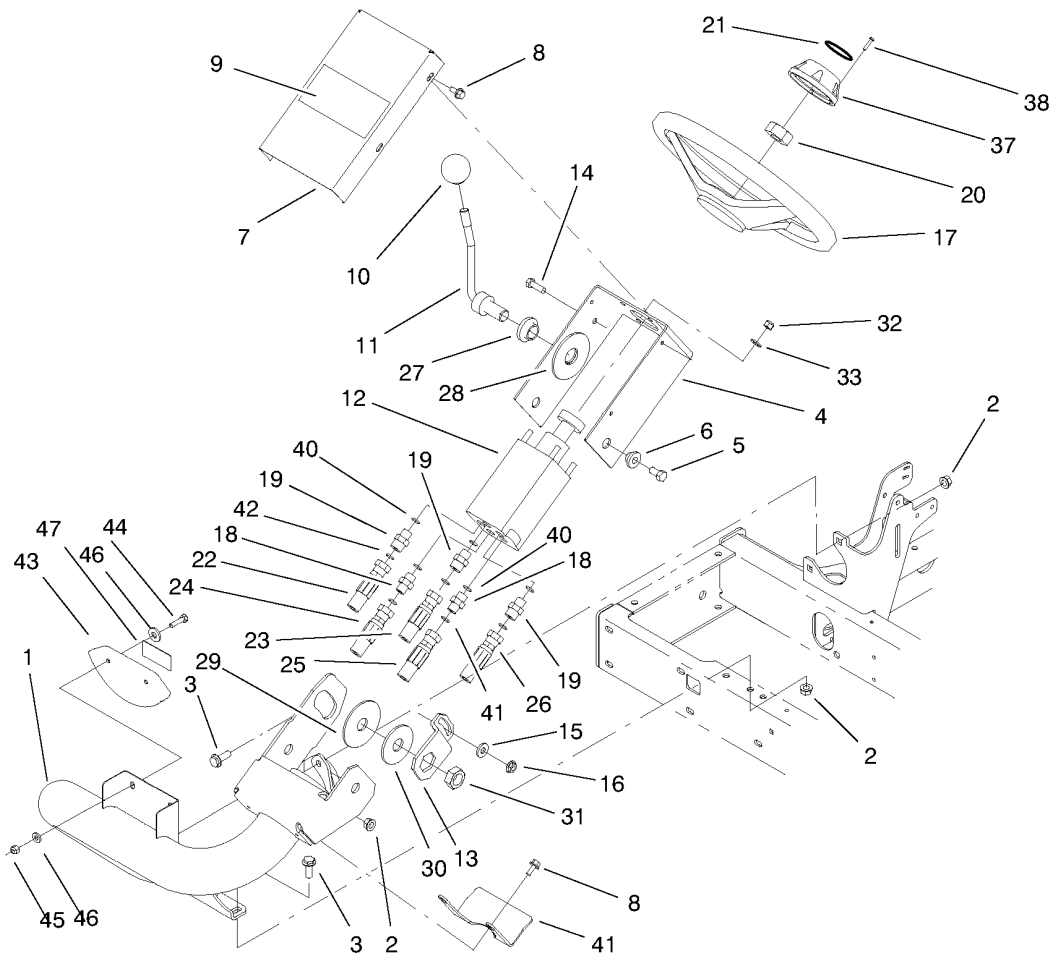
Frame And Platform Assembly

<i>Ref.</i>	<i>Part Number</i>	<i>Qty.</i>	<i>Description</i>	<i>Ref.</i>	<i>Part Number</i>	<i>Qty.</i>	<i>Description</i>
1	95-8590-03	1	Frame Assembly	16	99-3432-03	1	End-Toolbox, LH
2	95-8568-03	1	Frame-Lower	18	3234-5	2	Screw-Hfh
3	32144-15	2	Screw-HWH	19	99-3350-03	1	Tube-ROPS
4	3234-38	8	Screw-Hfh	20	3234-40	4	Screw-Hfh
5	32128-49	12	Nut-Hex. Flange	21	32148-8	2	Nut-Clinch
6	99-3375-03	1	Step	22	95-8598-03	1	Bracket-Bulkhead, Scissor
7	2412-72	3	Clamp-R	23	74-0720	1	Tube-Manual
8	95-8615	1	Tube-Breather	24	2412-133	2	Clamp-R
9	32128-33	6	Nut-Hex. Flange	25	32144-70	2	Screw
10	32144-10	13	Screw-HH	26	3256-23	2	Washer-Plain
11	3229-10	2	Screw-CARR	27	99-3496	1	Decal-Danger
12	3234-13	4	Screw-Hfh	27	99-3560	1	Decal-Danger (Europe)
13	99-3504	0	Toolbox Cover Assembly (Incl. Ref. #27)	28	2412-108	1	Clamp-Hose
14	99-3430-03	1	Bottom-Toolbox	30	99-3494	1	Decal-Service
15	99-3431-03	1	End-Toolbox, RH	31	63-9920	1	Decal-Noise Level
				32	85-6910	1	Decal-Noise Rating



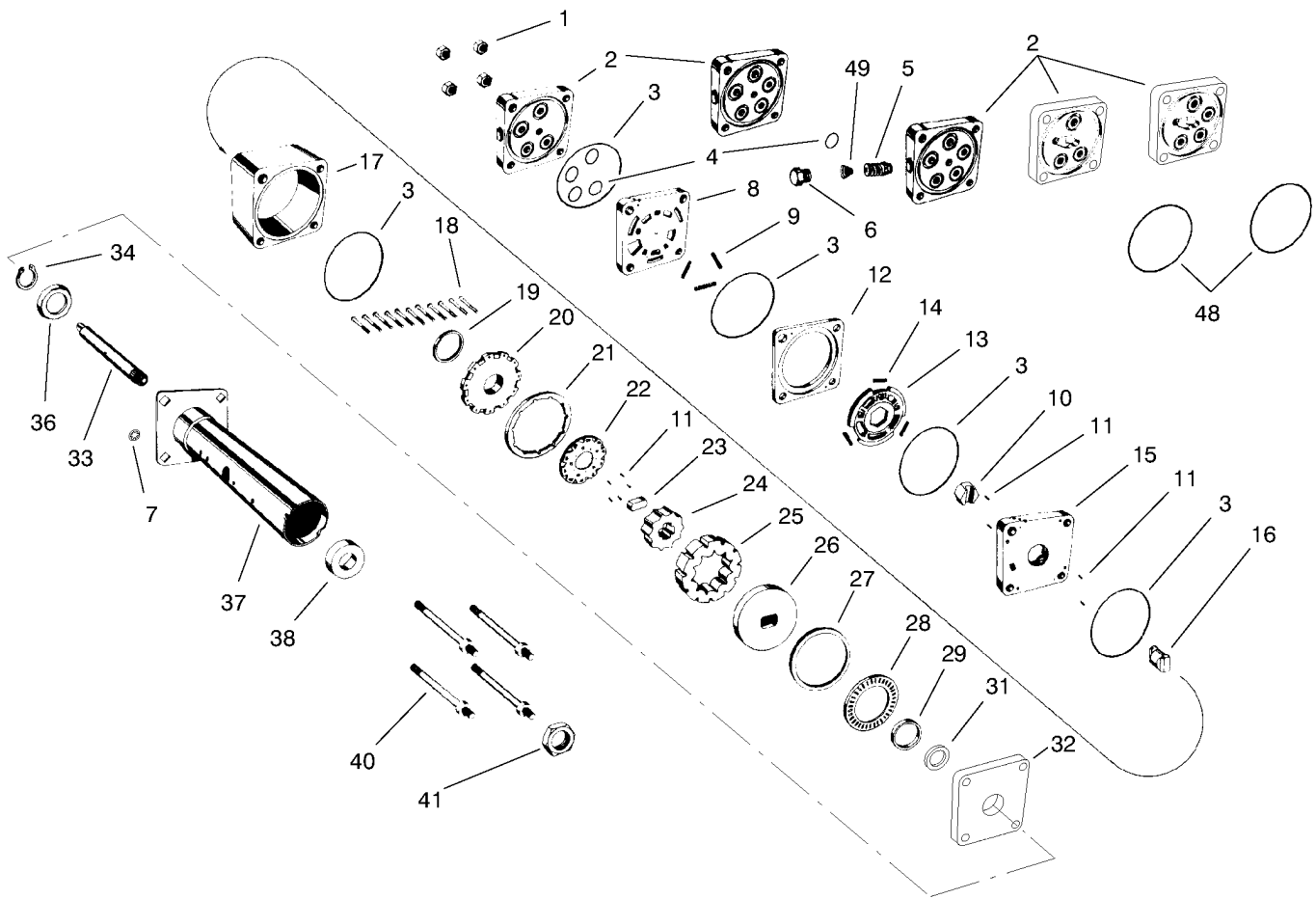
Hood and Screen Assembly

Ref.	Part Number	Qty.	Description
1	3234-4	6	Screw-Hfh
2	95-8809	1	Trim-Seal
3	3296-42	6	Nut-Hex. Lock
4	95-8724-03	1	Screen Assembly-Hood
5	95-8935	1	Hood Assembly
6	95-8728	2	Bracket-Hood Pivot
7	3256-24	4	Washer-Flat
8	59-9740	2	Flex Draw Latch Assembly
9	98-7310	4	Rivet-Pop
10	3290-55	4	Rivet-Pop
11	3269-10	4	Washer-Flat
12	99-3387	2	Decal
13	323-4	4	Screw-HH
15	3290-467	1	Pin-Cotter, Hair



Steering Column Assembly

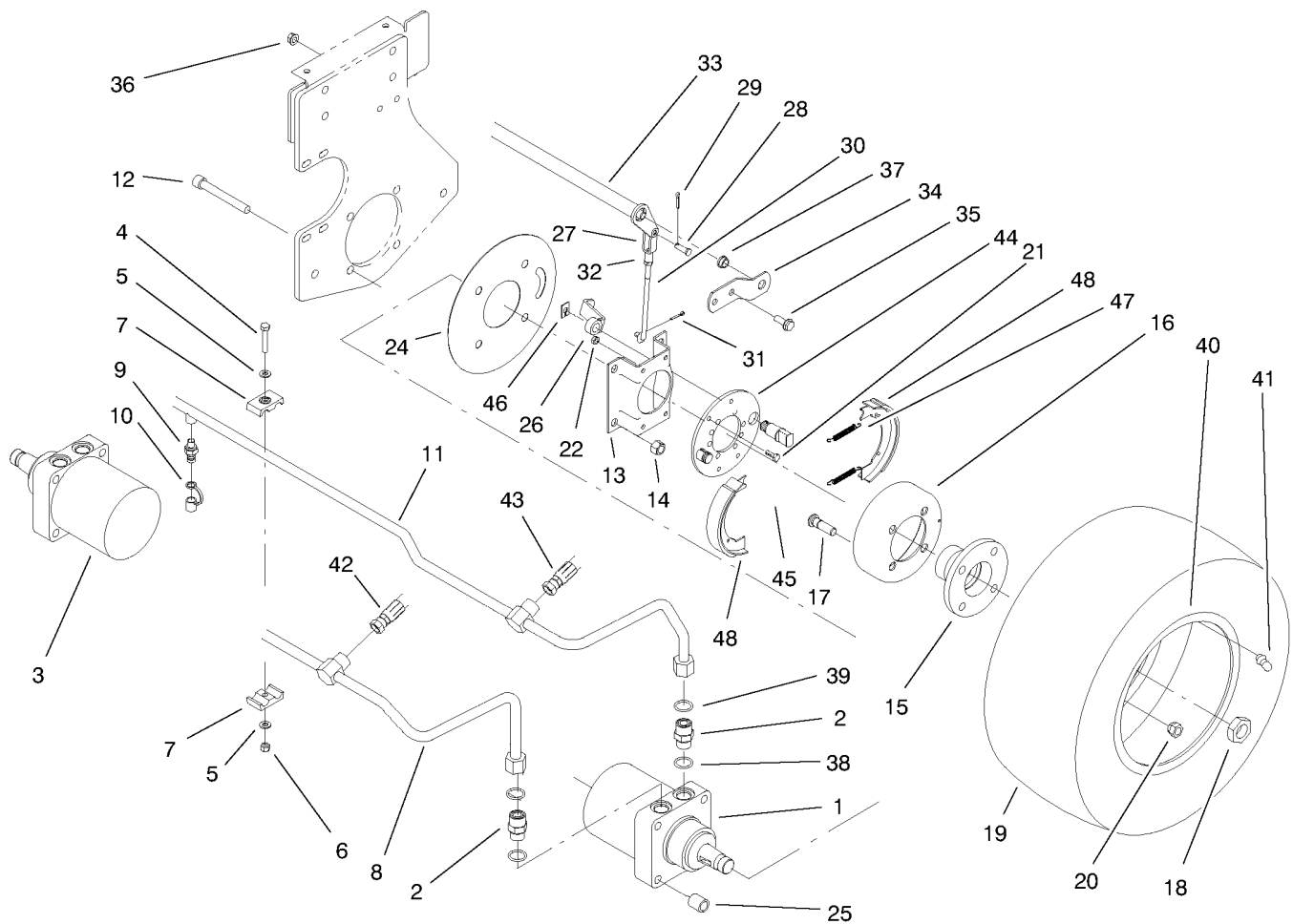
Ref.	Part Number	Qty.	Description	Ref.	Part Number	Qty.	Description
1	100-4869-01	1	Steering Arm Assembly	23	95-8843	1	Hose Assembly
2	32128-43	4	Nut-Hex. Flange	24	95-8844	1	Hose Assembly
3	3234-11	4	Screw-Hfh	25	95-8845	1	Hose Assembly
4	95-8793-01	1	Bracket-Steering Valve	26	95-8846	1	Hose Assembly
5	323-5	2	Screw-HH	27	99-3502	1	Boss-Tilt Steering
6	93-5988	2	Hub-Pivot	28	31-0390	1	Disc-Friction
7	95-8794-01	1	Cover-Steering	29	82-9010	1	Disc-Friction
8	32144-10	5	Screw-HH	30	80-2930	1	Washer-Flat
9	67-1300	1	Decal-Toro	31	3218-7	1	Nut-Jam
10	233-48	1	Knob-Ball	32	3296-4	4	Nut-Lock NI
11	95-8798-03	1	Lever Assembly	33	3256-23	4	Washer-Plain
12	100-4909	1	Control-Steering (Incl. Ref. #20)	34	3920-271	2	Rivet-Pop
13	80-2880	1	Bracket-Tilt	36	99-3405-01	1	Shield-Steering
14	322-5	1	Screw-HH	37	68-5140	1	Cap-Steering Wheel
15	3256-3	1	Washer-Flat	38	32144-21	1	Screw-PPH
16	32128-44	1	Nut-Hex. Flange	39	32128-21	2	Nut-Hex Flange
17	68-5130	1	Wheel-Steering (Incl. Ref. #37 & 38)	40	237-42	5	O-Ring
18	340-1	2	Fitting-Hydraulic (Incl. Ref. #40 & 41)	41	237-21	2	O-Ring
19	340-2	3	Fitting-Hydraulic (Incl. Ref. #40 & 42)	42	237-22	3	O-Ring
20	47-6990	1	Nut-Steering Wheel	43	100-4929	1	Slope Indicator (Incl. Ref. #47)
21	68-5370	1	Decal-Toro	44	321-6	2	Screw-HH
22	95-8842	1	Hose Assembly	45	3296-42	2	Nut-Lock
				46	3256-22	4	Washer-Flat
				47	100-4837	1	Decal



Steering Control Valve Assembly No. 100-4909

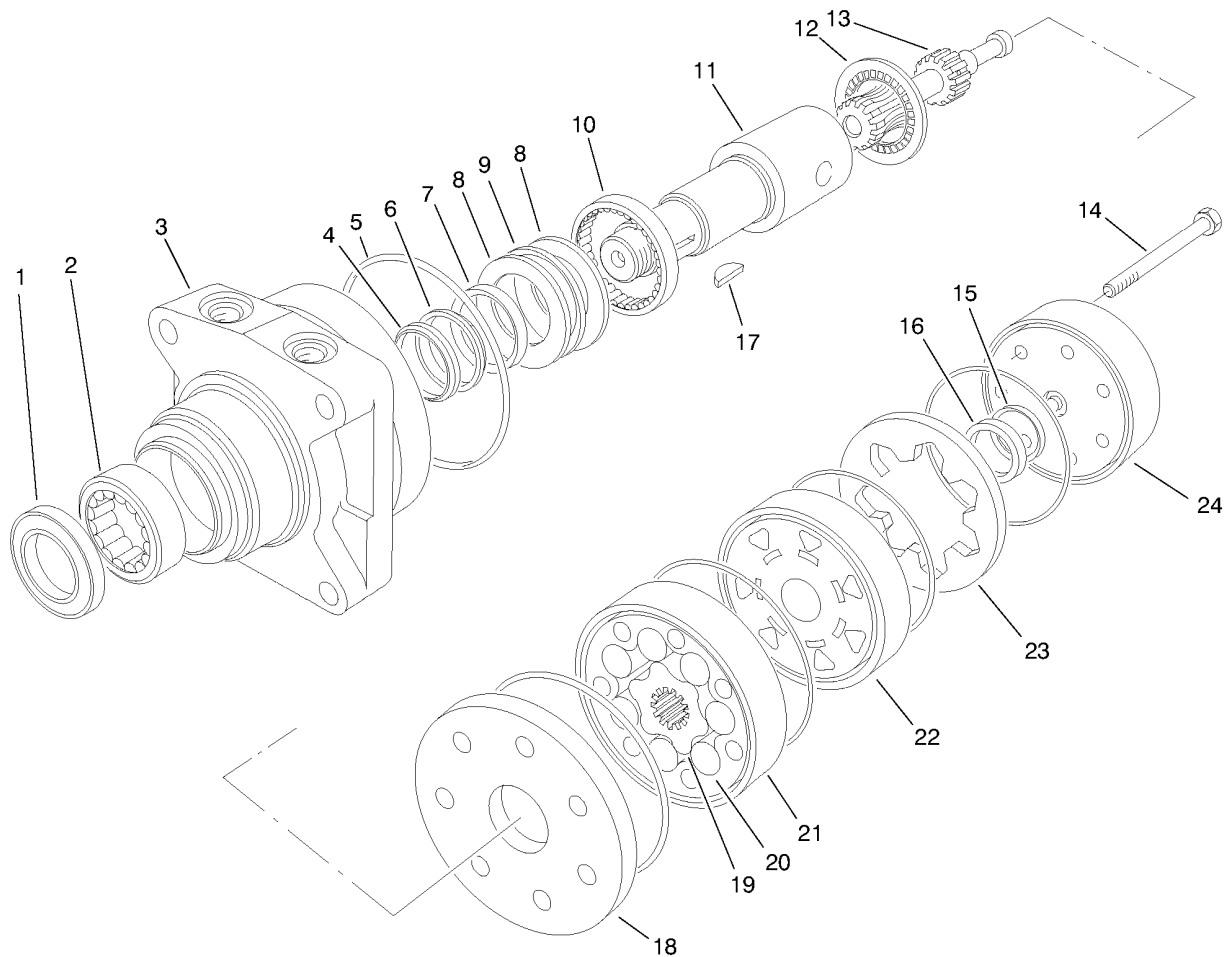
Ref.	Part Number	Qty.	Description	Ref.	Part Number	Qty.	Description
1		4	Nut	25		1	Stator
2		1	Cover-Port	26		1	Plate-Drive
3		5	Ring-Seal	27		1	Spacer-Thrust Bearing
4		3	O-Ring	28		1	Bearing-Thrust
5	99-3523	1	Cartridge-Relief Valve (Incl. Ref. #49)	29		1	Seal-Face
6		1	Plug	31		1	Spacer-Seal
7	92-7316	4	Nut-Push	32		1	Plate-Upper Cover
8		1	Manifold-Port	33		1	Shaft-Input
9		3	Spring	34		1	Ring-Retaining
10		1	Hex. Drive Assembly	36		1	Plate-Retaining
11		9	Pin-Alignment	37		1	Upper Cover & Jacket
12		1	Ring-Valve	38		1	Bushing
13		1	Plate-Valve	40	99-3524	4	Bolt-Special
14		3	Spring	41	47-6990	1	Nut
15		1	Manifold-Isolation	48		1	Ring-Seal (White)
16		1	Link-Drive	49		1	Spring-Coil
17		1	Ring-Metering	51		1	Spacer
18		11	Screw-HSH	*	66-9970	1	Kit-Spring (Incl. #9&14) ●
19		1	Seal-Commutator	*	66-9980	1	Kit-Seal (Incl. Ref. #3, 19 & 29) ●
20		1	Cover-Commutator	*	66-9990	1	Kit-Needle Roller (Incl. Ref. #11) ●
21		1	Ring-Commutator	*	100-4910	1	Column Assembly (Incl. Ref. #7, 33-34, 37-39 & 41) ●
22		1	Commutator				
23		1	Spacer-Drive Link				
24		1	Rotor				

● * Not Illustrated



Front Wheel And Brake Assembly

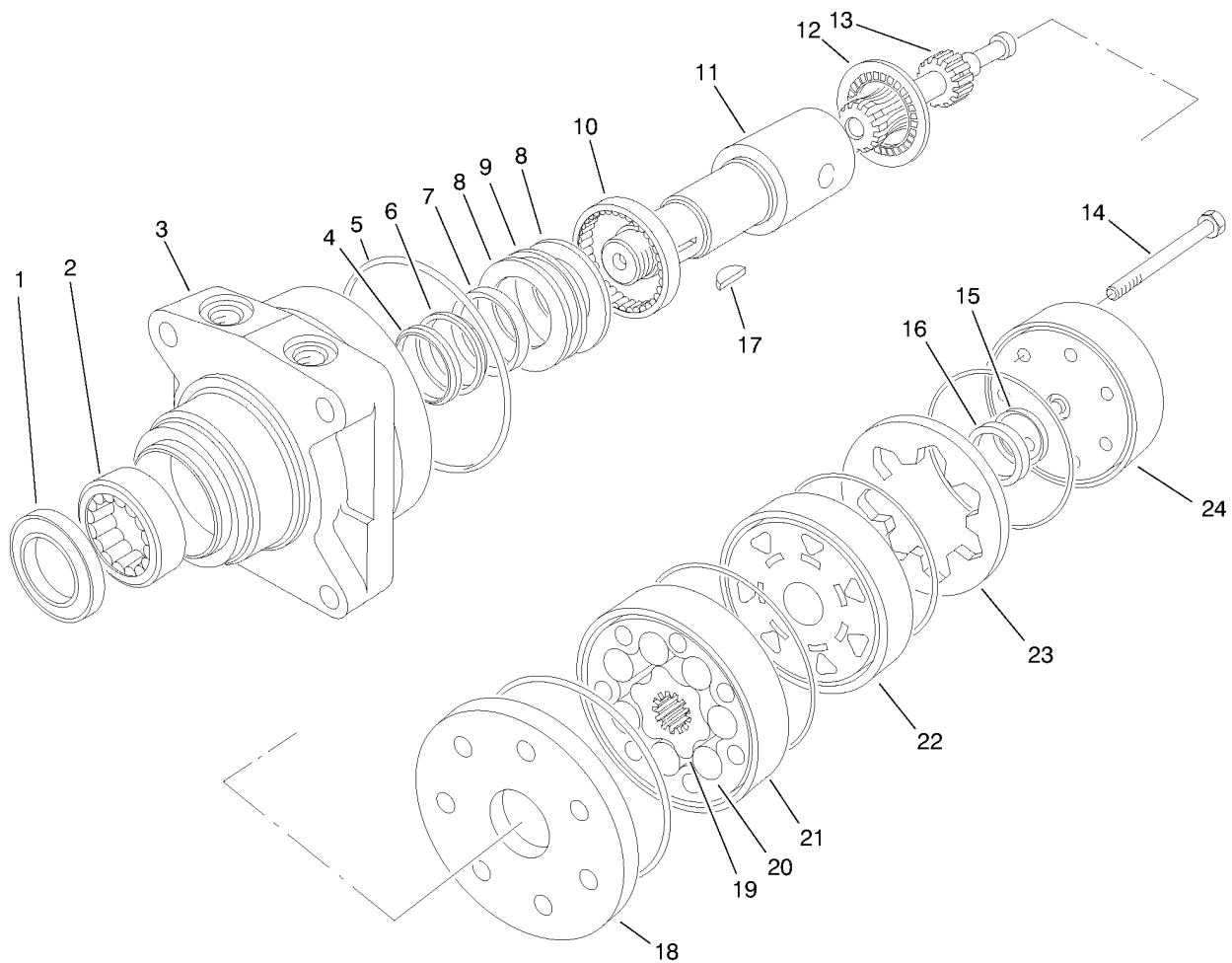
Ref.	Part Number	Qty.	Description	Ref.	Part Number	Qty.	Description
1	75-9990	1	Motor-Hydraulic	26	93-6850	2	Brake Lever Assembly
2	340-7	4	Fitting-Hydraulic (Incl. Ref. #38 & 39)	27	282-2	2	Clevis-Adjustable
3	95-8693	1	Motor-Hydraulic	28	283-1	2	Pin-Clevis
4	322-9	2	Screw-HH	29	3272-10	2	Pin-Cotter
5	3256-23	4	Washer-Plain	30	95-5824	2	Rod-Adjustment
6	3296-29	2	Nut-Hex. Lock	31	3272-6	2	Pin-Cotter
7	56-7971	4	Clamp-Tube	32	3220-2	2	Nut-Jam
8	95-8783	1	Tube Assembly	33	95-8685-03	1	Shaft-Brake Pivot
9	354-77	1	Fitting-Quick Connect	34	95-8683	2	Bracket-Pivot, Brake
10	354-79	1	Cap-Fitting, Yellow	35	3234-11	4	Screw-Hfh
11	95-8784	1	Tube Assembly	36	32128-43	4	Nut-Hex. Flange
12	3274-99	8	Screw-HSH	37	256-156	2	Bushing-Flange
13	84-2000-03	2	Bracket-Brake	38	237-80	2	O-Ring
14	3296-23	8	Nut-Hex. Lock	39	237-65	2	O-Ring
15	93-6838-03	2	Hub-Wheel	40	99-3474	2	Rim-Wheel
16	10-6850	2	Brake-Drum	41	232-27	2	Valve Stem
17	85-6540	8	Stud-Drive	42	95-8832	1	Hose Assembly
18	26-3790	2	Nut-Lock	43	95-8834	1	Hose Assembly
19	95-8656	2	Tire	44	70-9870	1	Plate-Backing
20	242-50	8	Nut-Lug	45	70-9860	1	Cam Shaft
21	321-5	8	Screw-HH	46	70-9850	2	Clip-Retainer
22	3296-42	11	Nut-Hex. Lock	47	70-9880	2	Spring-Return
24	95-8818-03	2	Shield-Wheel	48	70-9840	2	Shoe-Brake
25	92-1715	8	Spacer	*	71-1500	2	Brake Assembly (Incl. Ref. #44-48)



Hydraulic Motor Assembly No. 75-9990

Ref.	Part Number	Qty.	Description	Ref.	Part Number	Qty.	Description
1		1	Seal-Dirt And Water	17	3257-42	1	Key-Woodruff
2		1	Bearing	18	76-0870	1	Plate-Wear
3		1	Housing	19		1	Rotor
4		1	Washer-Backup	20		7	Vane
5		5	Seal Rings	21		1	Stator
6		1	Washer-Backup	22	76-0840	1	Manifold
7		1	Seal-Inner	23		1	Ring-Commutator
8		2	Washer-Thrust	24	76-0940	1	Asm-End Cover
9		1	Bearing-Thrust	*	76-0970	1	Rotor Set (Incl. Ref. #19-21)
10		1	Bearing				●
11	76-0860	1	Shaft-Coupling	*	76-0880	1	Asm-Commutator (Incl. Ref. #15, 16 & 23) ●
12	76-0850	1	Bearing-Thrust	*	76-0800	1	Kit-Seal (Incl. Ref. #1, 4-7 & 15) ●
13	76-0960	1	Link-Drive	*	76-0810	1	Asm-Housing (Incl. Ref. #2, 3 & 8-10) ●
14	76-1010	7	Screw-Hex. Hd.				
15		1	Seal-Commutator				
16		1	Commutator				

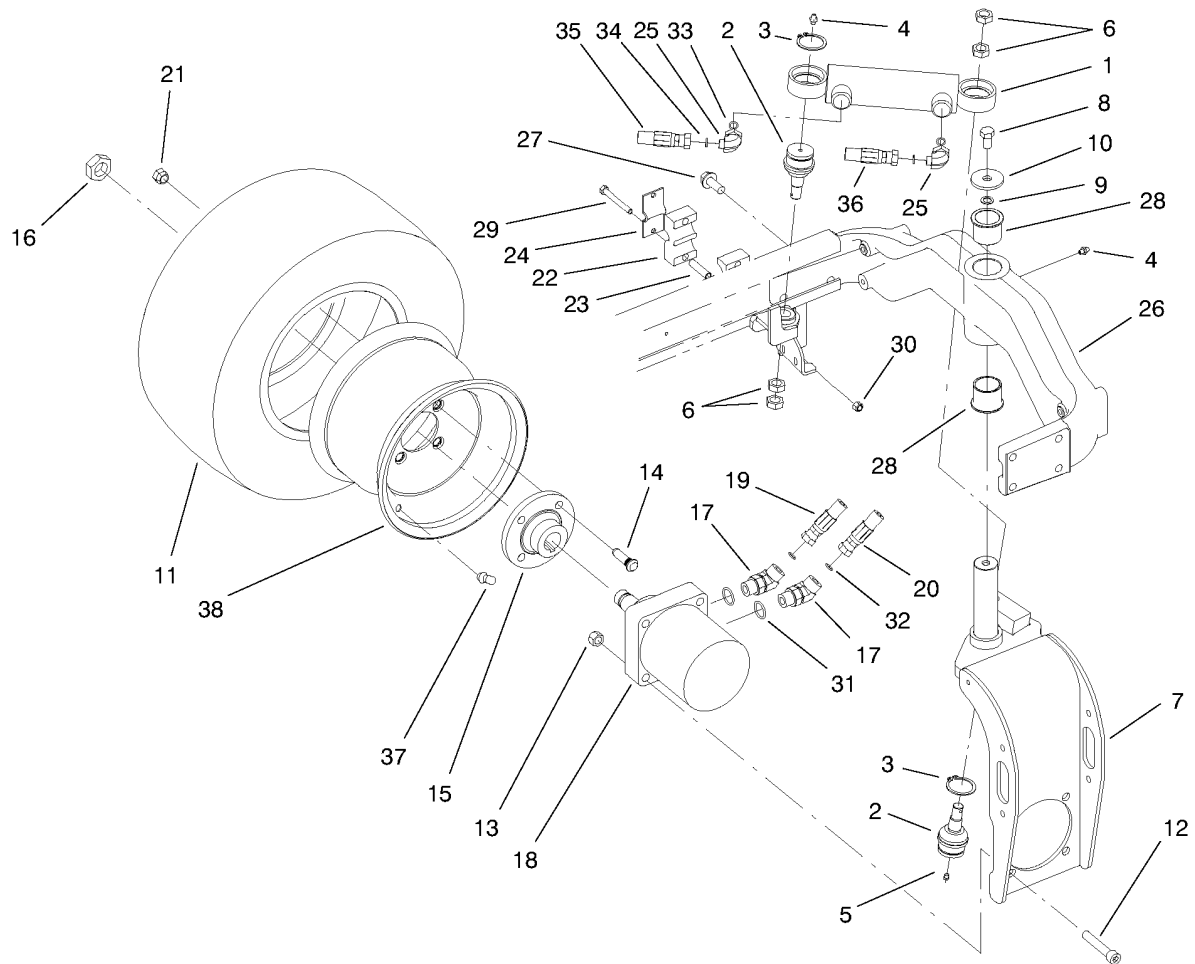
● * Not Illustrated



Hydraulic Motor Assembly No. 95-8693

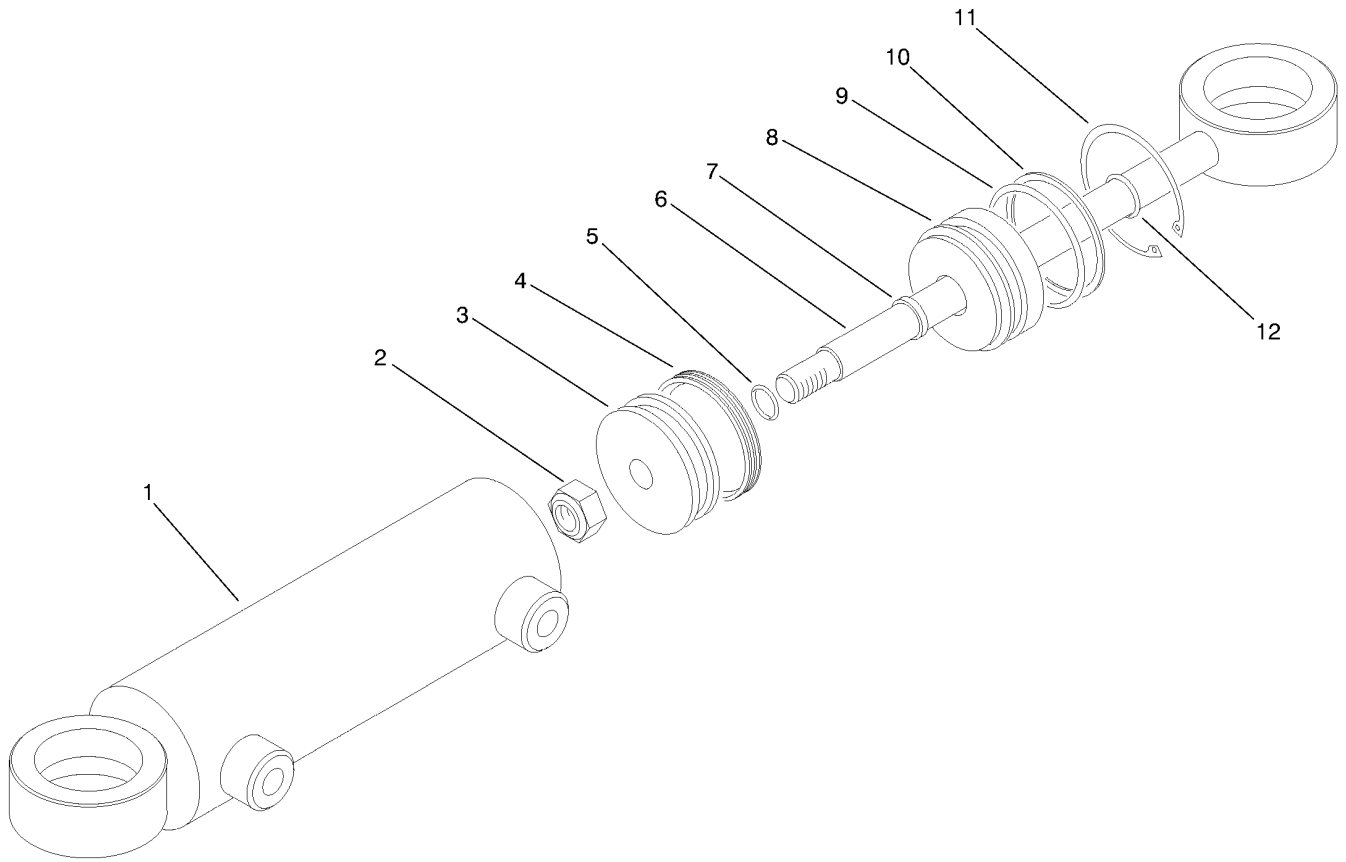
Ref.	Part Number	Qty.	Description	Ref.	Part Number	Qty.	Description
1		1	Seal-Dirt & Water	17	3257-42	1	Key-Woodruff
2		1	Bearing	18	76-0870	1	Plate-Wear
3		1	Housing	19		1	Rotor
4		1	Washer-Backup	20		7	Vane
5		5	Seal Rings	21		1	Stator
6		1	Washer-Backup	22	99-3535	1	Manifold
7		1	Seal-Inner	23		1	Ring-Commutator
8		2	Washer-Thrust	24	76-0940	1	Asm-End Cover
9		1	Bearing-Thrust	*	76-0970	1	Rotor Set (Incl. Ref. #19-21)
10		1	Bearing				●
11	76-0860	1	Shaft-Coupling	*	76-0880	1	Asm-Commutator (Incl. Ref. #15, 16 & 23) ●
12	76-0850	1	Bearing-Thrust	*	76-0800	1	Kit-Seal (Incl. Ref. #1, 4-7 & 15) ●
13	76-0960	1	Link-Drive	*	76-0810	1	Asm-Housing (Incl. Ref. #2, 3 & 8-10) ●
14	76-1010	7	Screw-Hex. Hd.				
15		1	Seal-Commutator				
16		1	Commutator				

● * Not Illustrated



Rear Fork And Tire Assembly

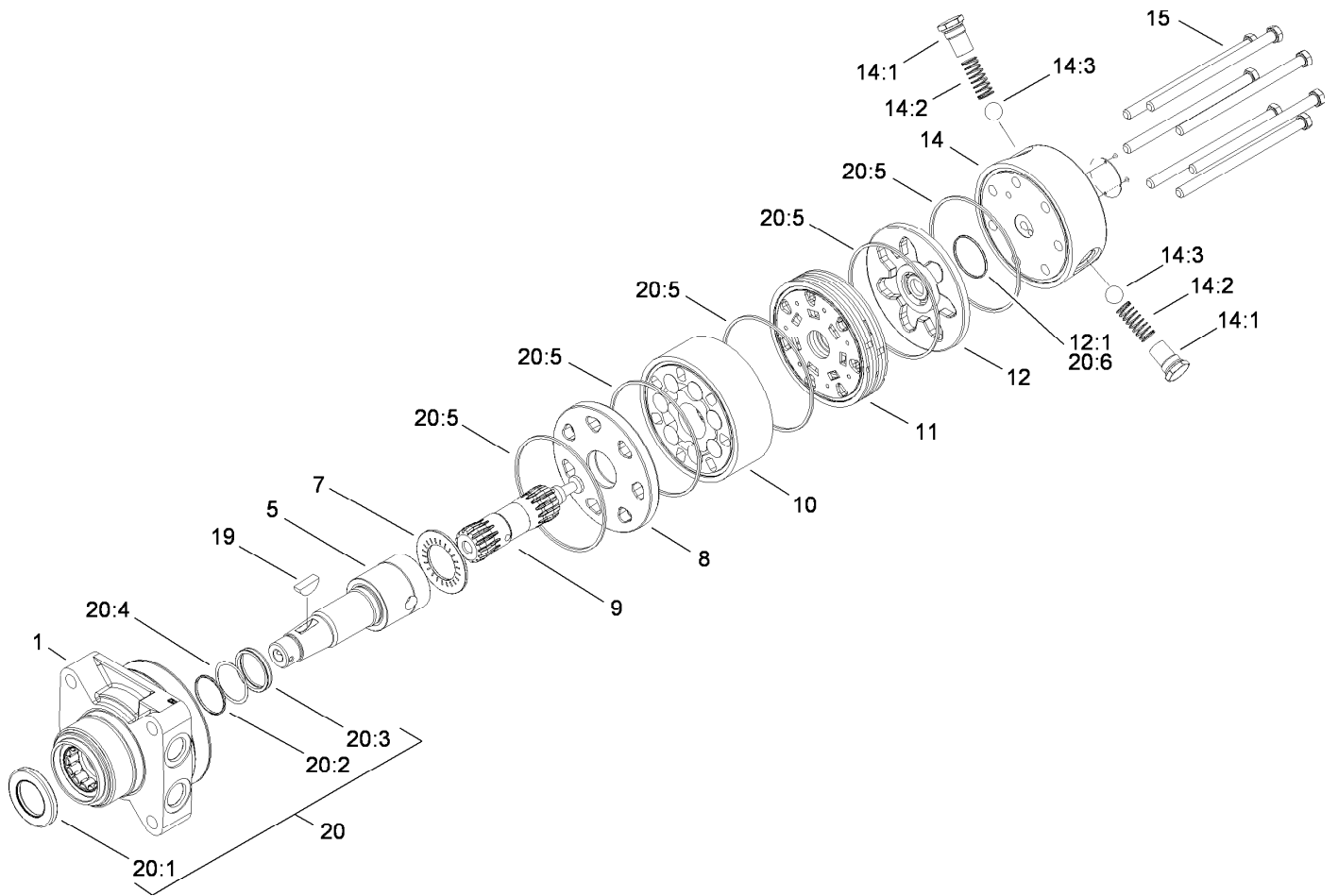
Ref.	Part Number	Qty.	Description	Ref.	Part Number	Qty.	Description
1	94-8141	1	Hydraulic Cylinder Assembly	20	95-8833	1	Hose Assembly
2	92-5838	2	Ball Joint	21	242-50	4	Nut-Lug
3	32151-104	2	Ring-Retaining, External	22	82-8170	2	Clamp
4	302-5	2	Fitting-Grease, Straight	23	93-7960	2	Spacer
5	302-59	1	Plug-Grease Fitting	24	93-7961	1	Clamp-Case Drain
6	3220-6	4	Nut-Jam	25	340-132	2	Fitting-Hydraulic (Incl. Ref. #33 & 34)
7	95-8905-01	1	Rear Fork Assembly	26	18-3979-03	1	Casting-Rear (Incl. Ref. #4)
8	325-3	1	Screw-HH	27	3234-38	8	Screw-Hfh
9	3255-2	1	Washer-Lock, External	28	95-8805	2	Bushing
10	75-7730	1	Washer-Thrust	29	322-13	2	Screw-HH
11	95-8656	1	Tire	30	3296-29	2	Nut-Hex. Lock
12	3274-93	4	Screw-HSH	31	237-80	2	O-Ring
13	3296-23	4	Nut-Hex. Lock	32	237-65	2	O-Ring
14	10-6830	4	Stud-Drive	33	237-78	2	O-Ring
15	10-6870-03	1	Hub-Wheel	34	237-21	2	O-Ring
16	26-3790	1	Nut-Lock	35	95-8844	1	Hose Assembly
17	340-14	2	Fitting-Hydraulic, 45# (Incl. Ref. #31 & 32)	36	95-8845	1	Hose Assembly
18	95-8694	1	Motor-Hydraulic	37	232-27	1	Valve Stem
19	95-8832	1	Hose Assembly	38	95-8657	1	Rim-Wheel



Hydraulic Cylinder Assembly No. 94-8141

<i>Ref.</i>	<i>Part Number</i>	<i>Qty.</i>	<i>Description</i>
1	94-9955	1	Asm-Barrel
2	32152-10	1	Nut-Lock
3	94-9957	1	Piston
4		1	Uniring
5		1	O-Ring
6	94-9956	1	Asm-Piston Rod
7		1	Seal-Rod
8	94-9958	1	Gland-Cylinder
9		1	O-Ring
10		1	Backup
11	32120-8	1	Ring-Retaining
12		1	O-Ring
*	86-5390	1	Kit-Seal (Incl. Ref. #4, 5, 7, 9, 10 & 12)

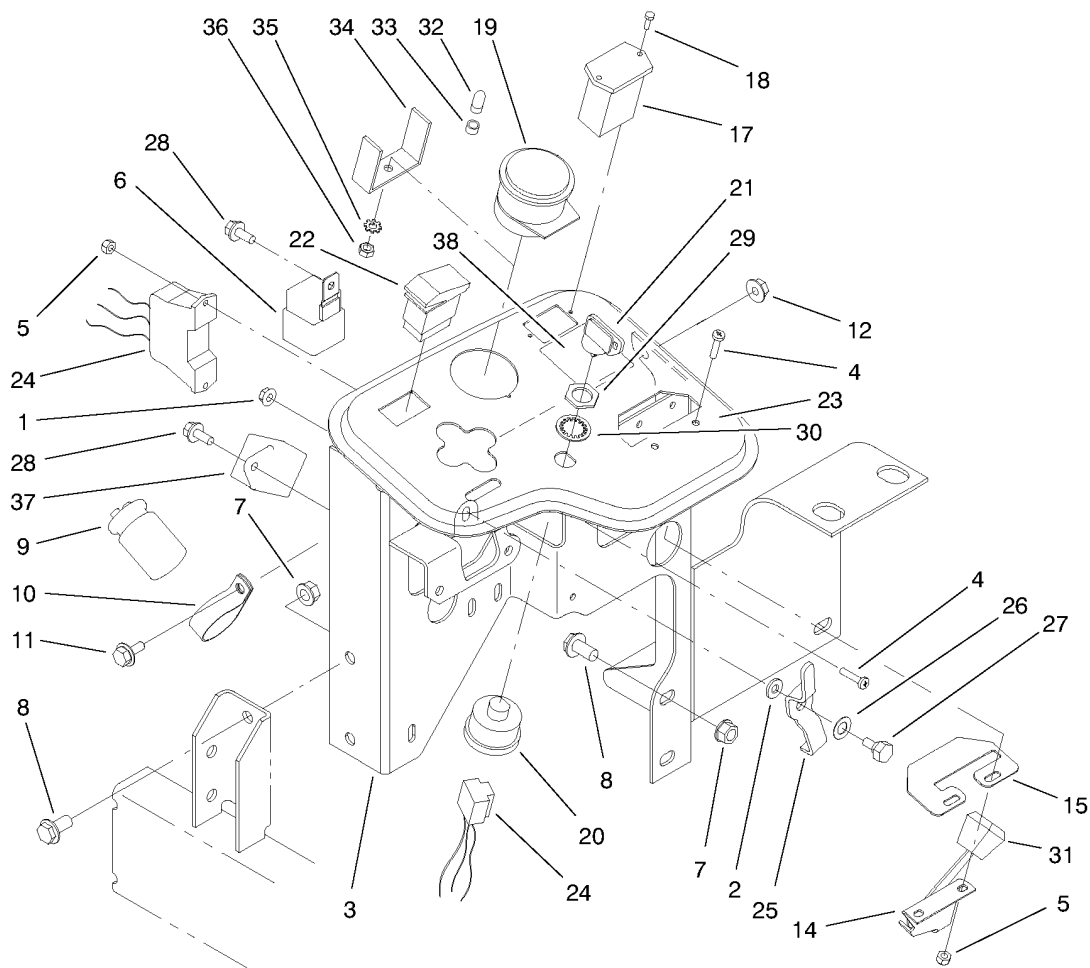
● * Not Illustrated



Hydraulic Motor Assembly No. 95-8694

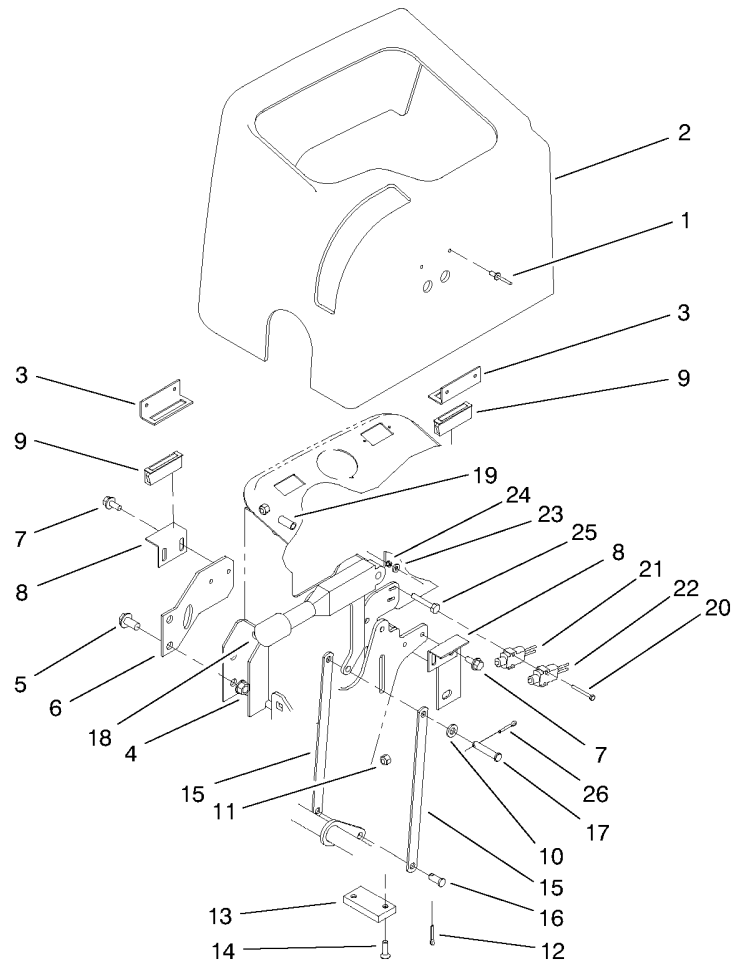
Ref.	Part Number	Qty.	Description
1	76-0810	1	Housing ASM
5	99-3090	1	Shaft-Coupling
7	76-0850	1	Bearing-Thrust
8	76-0870	1	Plate-Wear
9	99-3537	1	Link-Drive
10	99-3539	1	Set-Rotor
11	99-3535	1	Manifold
12	76-0880	1	Commutator ASM
12:1		1	Seal-Commutator ●
14	99-3538	1	End Cover ASM
14:1		1	Spring Cap And O-Ring ASM ●
14:2	99-3541	1	Spring
14:3	99-3540	1	Ball
15	99-3536	7	Screw-HH
19	3257-42	1	Key-Woodruff
20	94-8178	1	Seal Kit
20:1		1	Seal-Dirt And Water ●
20:2		1	Backup-Ring ●
20:3		1	Seal-Shaft ●
20:4		1	Washer-Back Up ●
20:5		5	Seal-Square, Ring (Inner) ●
20:6		1	Seal-Commutator ●

● Not serviced separately



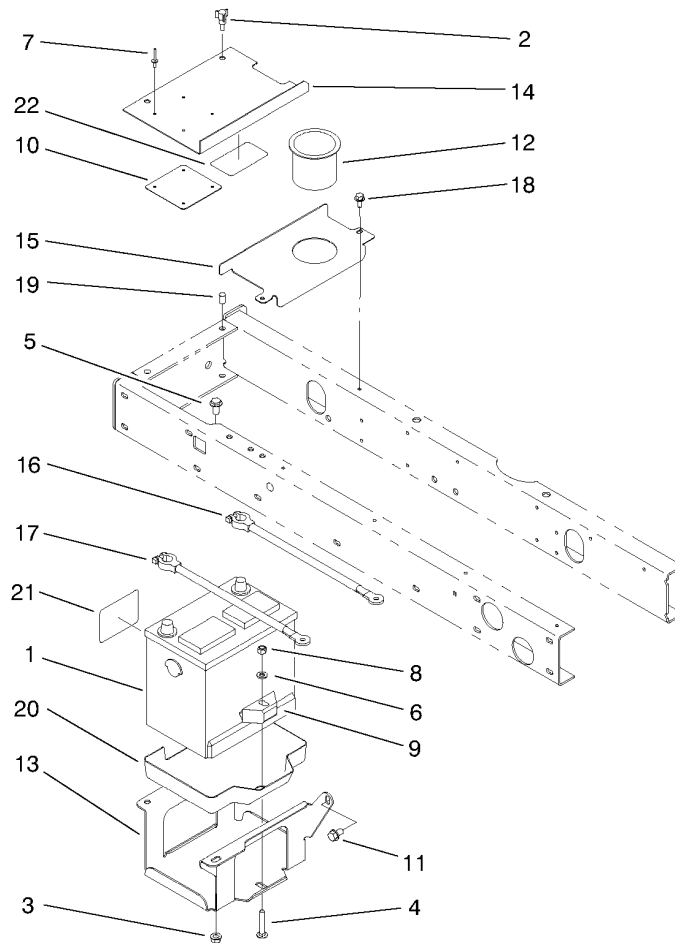
Control Panel Assembly

<i>Ref.</i>	<i>Part Number</i>	<i>Qty.</i>	<i>Description</i>	<i>Ref.</i>	<i>Part Number</i>	<i>Qty.</i>	<i>Description</i>
1	32128-32	1	Nut-Hex. Lock	22	95-8999	1	Switch
2	3256-22	1	Washer-Flat	23	99-3493	1	Decal-Console (Model 03200)
3	95-8712-03	1	Control Panel Assembly	23	99-3443	1	Decal-Console (Model 03201)
4	3250-27	4	Screw-PPH	24	99-3555	1	Wire Harness
5	3296-2	4	Nut-Lock, NI	25	99-3401-03	1	Lever-Lock, Valve
6	70-1480	3	Relay	26	3290-477	1	Washer-Curved
7	32128-43	5	Nut-Hex. Flange	27	63-3410	1	Bolt-Shoulder
8	3234-1	5	Screw-Hfh	28	32144-10	4	Screw-HH
9	37-2690	1	Capacitor	29	218-461	1	Nut-Hex.
10	2412-74	1	Clamp	30	3254-5	1	Washer-Lock
11	3234-4	1	Screw-HH	31	66-0120	1	Knob
12	32128-33	1	Nut-Hex. Flange	32	219-17	4	Bulb-Warning Light
14	95-8855	1	Throttle-Control (Incl. Ref. #31)	33	87-6270	4	Socket & Bulb Assembly (Incl. Ref. #32)
15	95-8614	1	Plate-Throttle, Stop	34		1	Clamp-Light
17	75-6820	1	Hourmeter	35	3254-1	1	Washer-Lock
18	32144-18	2	Screw-HWH	36	3217-26	1	Nut-Hex.
19	93-7053	1	Warning Light Cluster (Incl. Ref. #32-36)	37	98-7611	1	Controller-Glow
20	88-9830	1	Switch-Ignition (Incl. Ref. #29 & 30)	38	99-3558	1	Decal-Console (Europe)
21	63-8360	2	Key-Ignition				



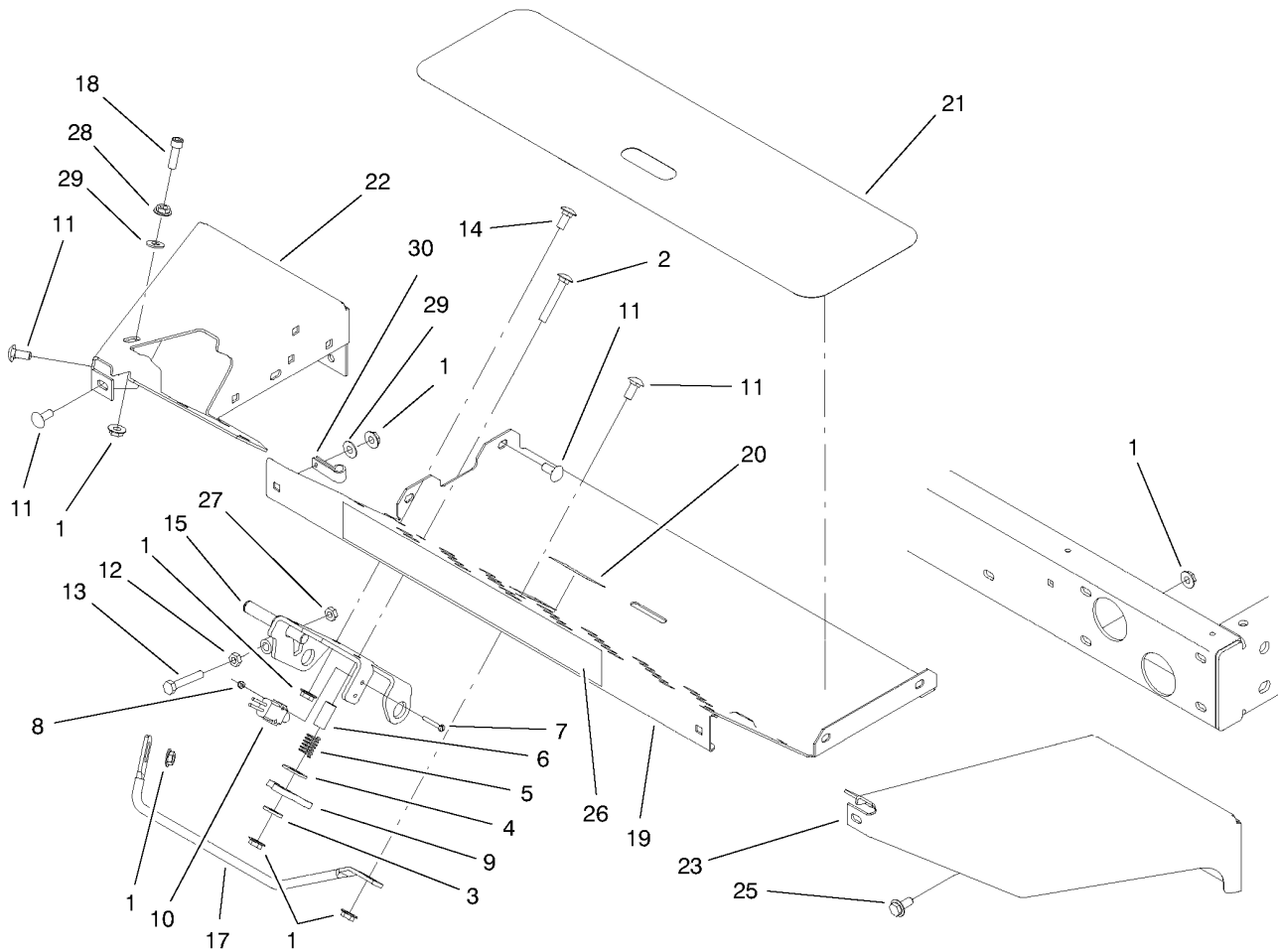
Parking Brake Assembly

<i>Ref.</i>	<i>Part Number</i>	<i>Qty.</i>	<i>Description</i>	<i>Ref.</i>	<i>Part Number</i>	<i>Qty.</i>	<i>Description</i>
1	3269-5	4	Rivet-Pop	14	3289-4	2	Screw-HSFH
2	95-8707	1	Cover-Control Panel	15	95-8681-03	2	Link-Brake, Parking
3	95-8763	2	Bracket-Cover	16	283-62	1	Pin-Clevis
4	32128-43	2	Nut-Hex. Flange	17	94-3829	1	Pin-Clevis
5	3234-1	2	Screw-Hfh	18	87-2710	1	Lever Assembly
6	95-8764-03	1	Support-Magnet	19	87-4710	1	Spacer-Parking Brake
7	32144-10	4	Screw-HWH	20	32105-21	2	Screw-SHH
8	95-8765	2	Bracket-Strike	21	95-8900	1	Switch
9	58-4250	2	Catch-Magnetic	22	99-3410	1	Switch
10	3256-23	1	Washer-Plain	23	3256-21	2	Washer-Flat
11	3296-42	3	Nut-Lock NI	24	3296-9	2	Nut-Lock NI
12	3272-10	1	Pin-Cotter	25	321-9	1	Screw-HH
13	95-8684	1	Pad-Bumper	26	3272-6	1	Pin-Cotter



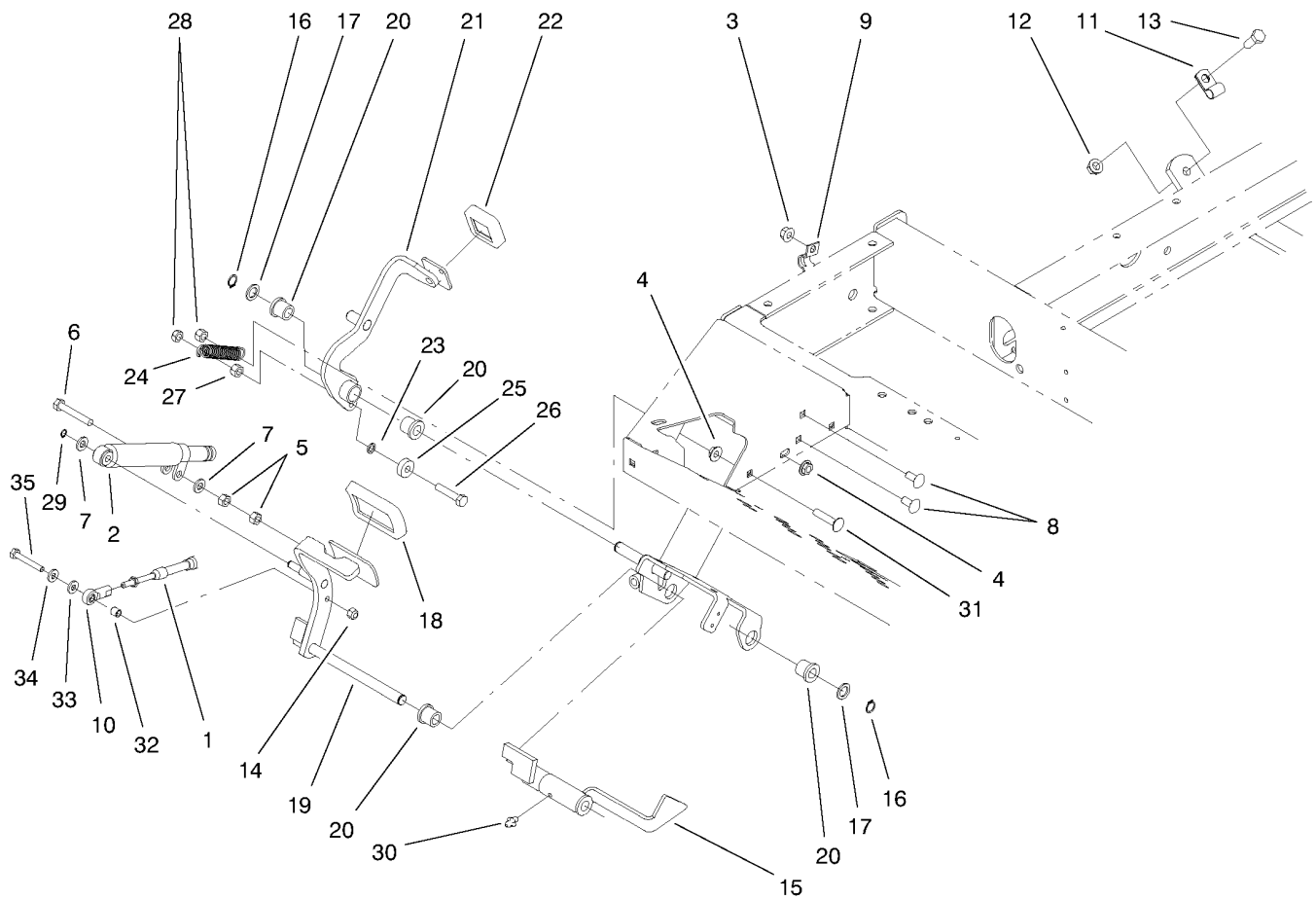
Battery Assembly

<i>Ref.</i>	<i>Part Number</i>	<i>Qty.</i>	<i>Description</i>
1	83-9000	1	Battery
2	233-70	2	Knob
3	32128-43	3	Nut-Hex. Flange
4	3230-5	1	Bolt-CARR
5	3234-1	3	Screw-Hfh
6	3256-23	1	Washer-Plain
7	3269-27	4	Rivet-Plastic
8	3296-29	1	Nut-Lock NI
9	66-2490	1	Retainer-Battery
10	87-7620	1	Shield-Battery Cover
11	32144-15	1	Screw-HWH
12	94-1410	1	Holder-Beverage
13	95-8796-03	1	Support-Battery
14	99-3602	1	Cover-Battery (Incl. Ref. #22)
15	95-8817-01	1	Cover-Battery, Inner
16	95-8854	1	Cable-Battery, Negative
17	95-8853	1	Cable-Battery, Positive
18	32144-4	2	Screw-HWH
19	32148-6	2	Insert-Threaded
20	99-3513	1	Tray-Battery
21	93-6668	1	Decal-Battery
22	93-7276	1	Decal-Danger



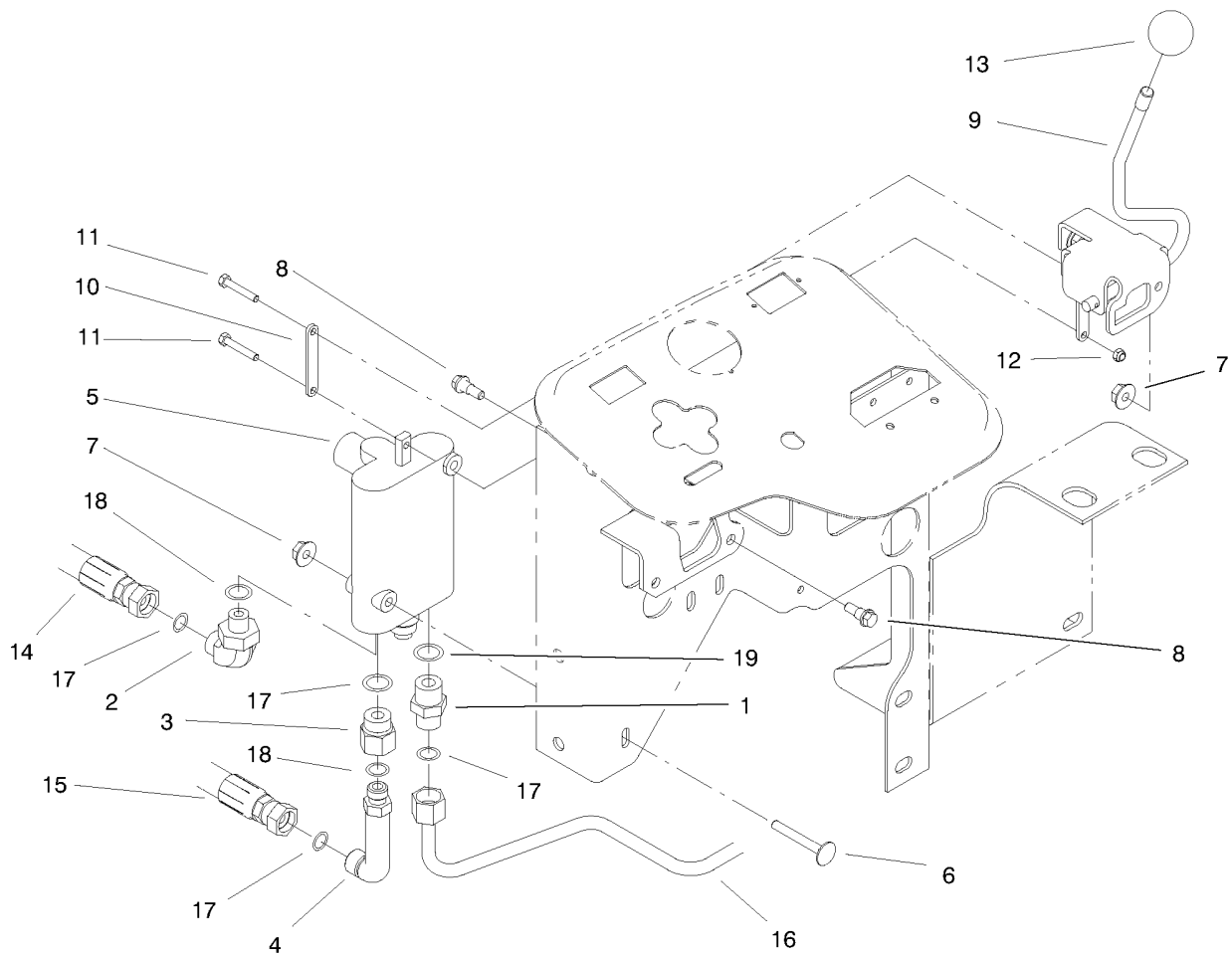
Rocker Arm Assembly

<i>Ref.</i>	<i>Part Number</i>	<i>Qty.</i>	<i>Description</i>	<i>Ref.</i>	<i>Part Number</i>	<i>Qty.</i>	<i>Description</i>
1	32128-44	23	Nut-Hex. Flange	17	95-8893	1	Bar-Deflector
2	3230-6	1	Bolt-CARR	18	3274-22	1	Screw-HSH
3	3256-3	1	Washer-Flat	19	95-8610-01	1	Plate-Floor
4	3256-40	1	Washer-Flat	20	99-3444	1	Decal-Mow/Transport
5	65-9940	1	Spring-Compression	21	99-3478	1	Tread-Floor Plate
6	95-8866	1	Tube-Rocker Arm	22	95-8611-01	1	Bracket-Floor Plate, RH
7	32105-9	2	Screw-HH	23	95-8612-01	1	Bracket-Floor Plate, LH
8	3296-9	2	Nut-Hex	25	3234-5	10	Screw-Hfh
9	99-3593	1	Rocker Arm	26	99-3388	1	Decal-Sidewinder (Model No. 03201)
10	95-8900	1	Switch	27	99-3565	1	Nut-Square
11	3230-1	9	Screw-CARR	28	3217-6	1	Nut-Hex.
12	3218-2	1	Nut-Hex. Jam	29	3256-23	2	Washer-Plain
13	322-41	1	Screw-HH	30	2412-103	1	Clamp
14	3230-23	2	Screw-CARR				
15	95-8869-03	1	Bracket Assembly-Traction				



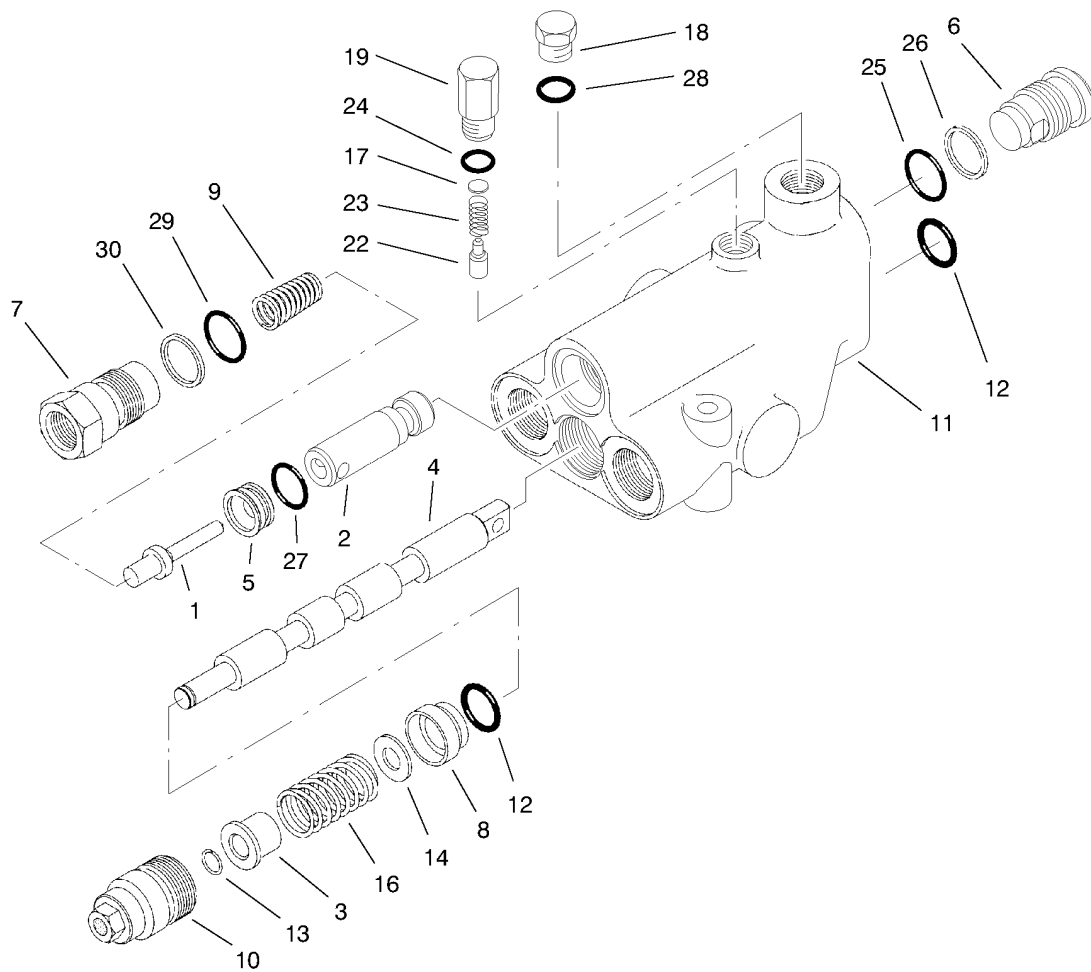
Traction Pedal Assembly

<i>Ref.</i>	<i>Part Number</i>	<i>Qty.</i>	<i>Description</i>	<i>Ref.</i>	<i>Part Number</i>	<i>Qty.</i>	<i>Description</i>
1	93-2099	1	Cable-Traction Control	19	99-3564-03	1	Traction Pedal Assembly
2	76-8870	1	Lever Damper Assembly	20	256-243	4	Bushing
3	32128-20	2	Nut-Hex. Flange	21	99-3379	1	Pedal Assembly-Reverse (Incl. Ref. #20)
4	32128-44	2	Nut-Hex. Flange	22	74-9110	1	Pad-Pedal, Reverse
5	3217-6	2	Nut-Hex.	23	75-5470	1	Spacer
6	322-10	1	Screw-HH	24	99-3476	1	Spring-Extension
7	3256-23	1	Washer-Plain	25	251-259	1	Bearing-Ball
8	3230-1	2	Screw-CARR	26	322-7	1	Screw-HH
9	93-2092	1	Clamp-Cable	27	3296-29	1	Nut-Lock NI
10	2411-41	1	Rod End	28	3296-47	2	Nut-Lock NI
11	2412-10	1	Clamp-R	29	32151-3	1	Ring-Retaining
12	32128-43	1	Nut-Hex. Flange	30	302-5	1	Fitting-Grease, Straight
13	323-6	1	Screw-HH	31	3230-27	1	Bolt-Carriage
14	3296-42	1	Nut-Lock NI	32	99-3545	1	Spacer
15	95-8861	1	Slide Assembly	33	33093-00	1	Washer-Flat
16	32151-84	2	Ring-Retaining	34	3256-22	1	Washer-Flat
17	41-8440	2	Spacer-Hardened	35	321-9	1	Screw-HH
18	74-9100	1	Pad-Pedal, Forward				



Control Valve Assembly (model No. 03200)

<i>Ref.</i>	<i>Part Number</i>	<i>Qty.</i>	<i>Description</i>
1	340-3	1	Fitting-Hydraulic, Straight (Incl. Ref. #17 & 19)
2	340-77	2	Fitting-Hydraulic, 90# ((Ncl. Ref. #17 & 18)
3	353-397	1	Fitting-Hydraulic (Incl. Ref. #17)
4	69-4320	1	Fitting-Hydraulic, 90# Incl. Ref. #17 & 18)
5	95-8689	1	Valve-Single Spool
6	3230-33	2	Screw-CARR
7	32128-33	4	Nut-Hex. Flange
8	42-3560	2	Bolt-Shoulder
9	95-8692	1	Valve Lever Assembly
10	95-8634	2	Link
11	87-5150	2	Screw-HH
12	87-5140	2	Nut-Lock
13	233-42	1	Knob
14	99-3575	1	Hose Assembly
15	95-8843	1	Hose Assembly
16	99-3551	1	Tube Assembly
17	237-22	5	O-Ring
18	237-42	3	O-Ring
19	237-79	1	O-Ring

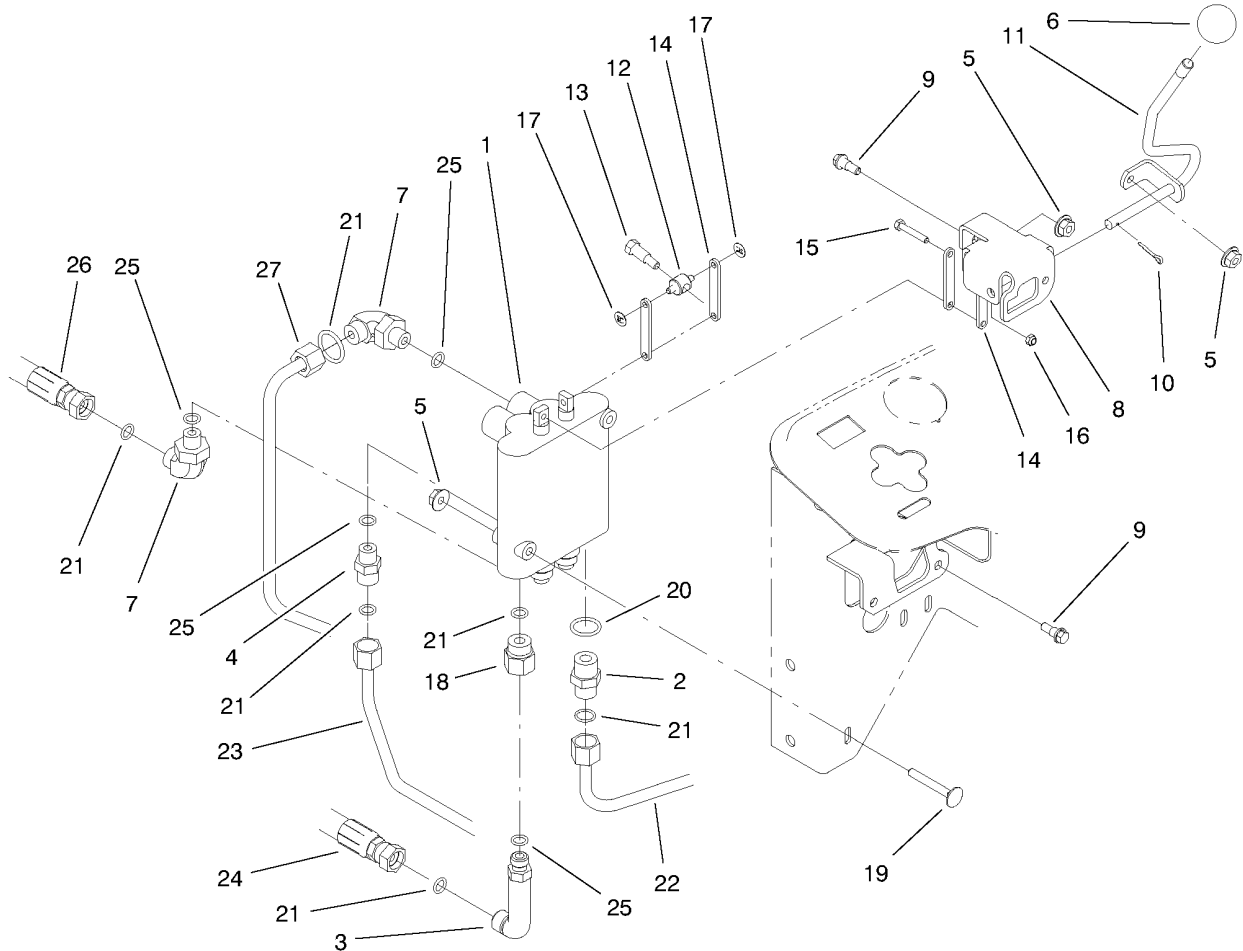


Control Valve Assembly No. 95-8689 (model No. 03200)

Ref.	Part Number	Qty.	Description
1	58-6290	1	Poppet Assembly
2	99-3586	1	Plunger
3	58-6310	1	Spacer
4		1	Spool
5	58-6330	1	Seat Assembly (Incl. Ref. #27)
6	58-6350	1	Plug Assembly (Incl. Ref. #25 & 26)
7	99-3527	1	Plug Assembly (Incl. Ref. #29 & 30)
8	58-6400	1	Bushing
9	69-1810	1	Spring
10	58-6420	1	Cap Assembly
11		1	Body
12	58-6450	2	O-Ring
13	58-6460	1	Ring-Retaining
14	65-2770	1	Washer

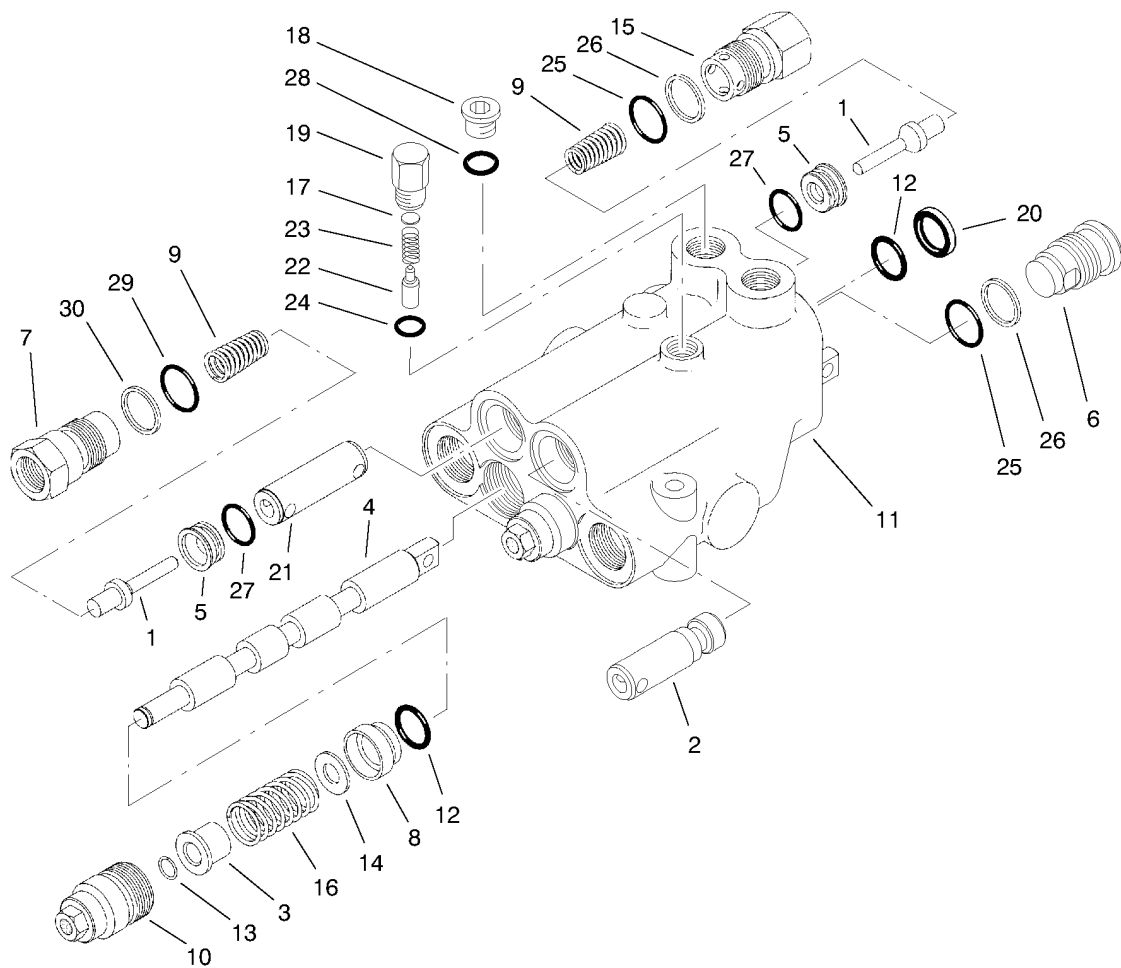
Ref.	Part Number	Qty.	Description
16	99-3531	1	Spring
17	60-6450	0	Disc
18	353-989	1	Plug Assembly (Incl. Ref. #28)
19	99-3588	1	Plug Assembly (Incl. Ref. #24)
22	99-3585	1	Detent-Plunger
23	99-3587	1	Spring
24	60-6410	1	O-Ring
25	60-5720	1	O-Ring
26	59-7730	1	Washer-Backup
27	58-6340	1	O-Ring
28	237-42	1	O-Ring
29	60-5720	1	O-Ring
30	59-7730	1	Washer-Backup
*	99-3589	1	Kit-Seal (Incl. Ref. #1, 12-13, 24-25 & 27-30)●

● * Not Illustrated



Control Valve Assembly (model No. 03201)

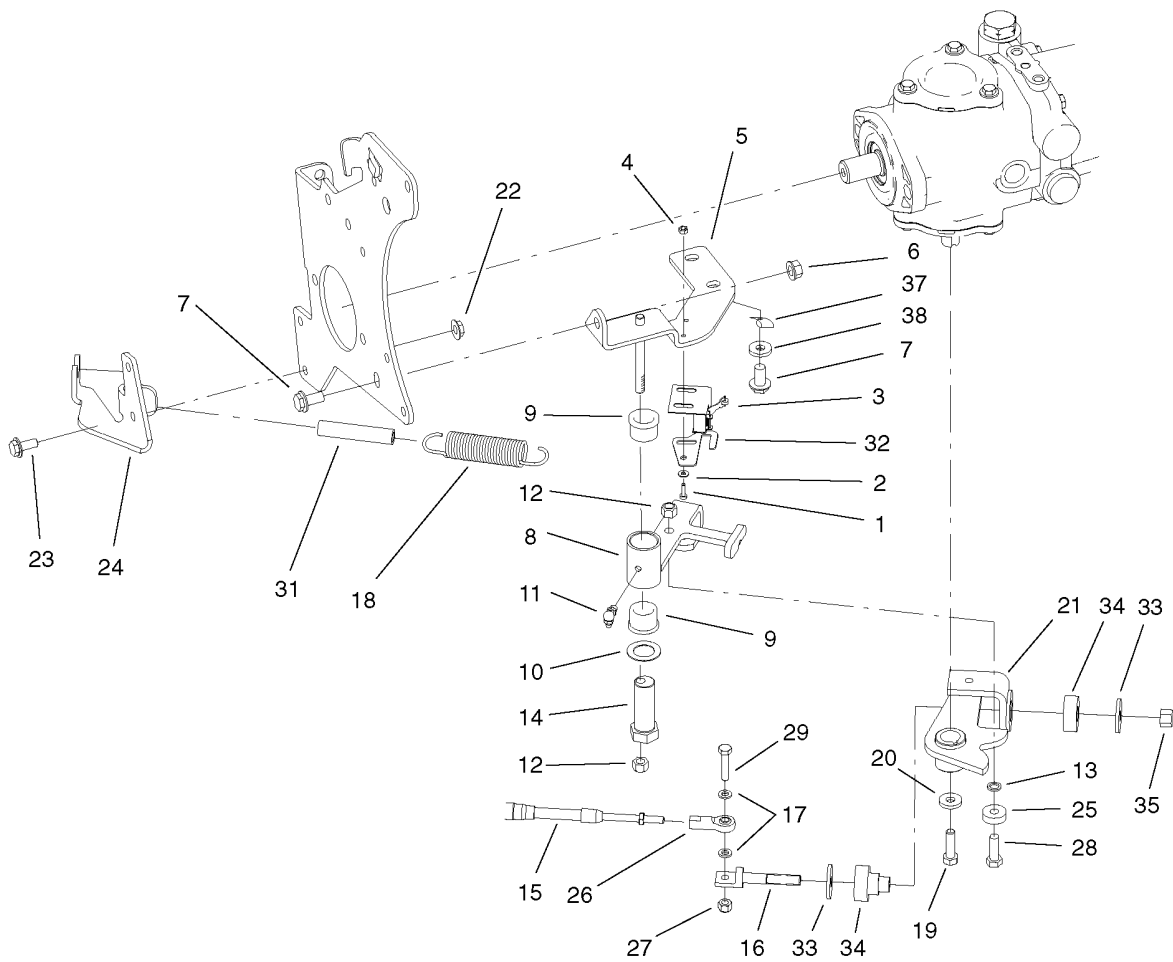
Ref.	Part Number	Qty.	Description	Ref.	Part Number	Qty.	Description
1	95-8581	1	2-Spool Control Valve ASM	13	92-8916	1	Bolt-Shoulder
2	340-3	1	Fitting-Hydraulic, Straight (Incl. Ref. #20 & 21)	14	95-8634	4	Link
3	69-4320	1	Fitting-Hydraulic, 90# (Incl. Ref. #21 & 25)	15	87-5150	3	Screw-HH
4	340-2	1	Fitting-Hydraulic, Straight (Incl. Ref. #21 & 25)	16	87-5140	3	Nut-Lock
5	32128-33	5	Nut-Hex. Flange	17	93-3988	2	Nut-Push
6	233-42	1	Knob	18	353-397	1	Fitting-Hydraulic (Incl. Ref. #21)
7	340-77	2	Fitting-Hydraulic, 90# (Incl. Ref. #21 & 25)	19	3230-33	2	Screw-CARR
8	95-8633	1	Bracket-Actuator, Valve	20	237-79	1	O-Ring
9	42-3560	2	Bolt-Shoulder	21	237-22	6	O-Ring
10	3272-6	1	Pin-Cotter	22	95-8792	1	Tube Assembly
11	95-8635	1	Lever-Valve	23	95-8791	1	Tube Assembly
12	95-8638	1	Trunnion-Actuator, Valve	24	95-8843	1	Hose Assembly
				25	237-42	4	O-Ring
				26	95-8822	1	Hose Assembly
				27	95-8790	1	Tube Assembly



Control Valve Assembly No. 95-8581 (model No. 03201)

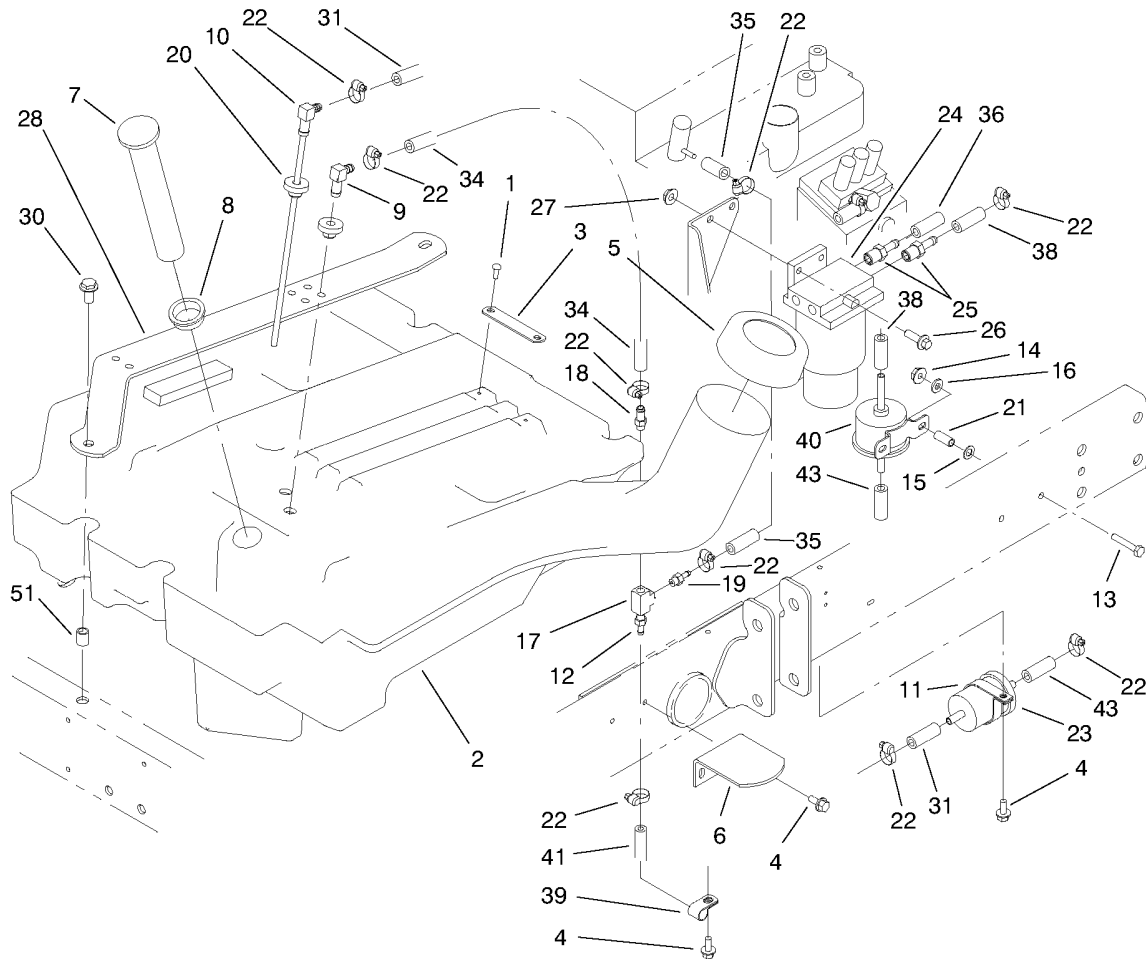
Ref.	Part Number	Qty.	Description	Ref.	Part Number	Qty.	Description
1	58-6290	3	Poppet Assembly	16	99-3531	2	Spring
2	69-1840	1	Plunger	17	60-6450	0	Disc
3	58-6310	2	Spacer	18	353-989	1	Plug Assembly (Incl. Ref. #28)
4		2	Spool	19	58-6780	1	Plug Assembly (Incl. Ref. #24)
5	58-6330	3	Seat Assembly (Incl. Ref. #27)	20	58-6320	2	Seal-Wiper
6	58-6350	1	Plug Assembly (Incl. Ref. #25 & 26)	21	99-3528	1	Plunger
7	99-3527	2	Plug Assembly (Incl. Ref. #29 & 30)	22	58-6770	1	Detent-Plunger
8	58-6400	2	Bushing	23	58-6760	1	Spring
9	69-1810	3	Spring	24	58-6790	1	O-Ring
10	58-6420	2	Cap Assembly	25	60-5720	2	O-Ring
11		1	Body	26	59-7730	2	Washer-Backup
12	58-6450	4	O-Ring	27	58-6340	2	O-Ring
13	58-6460	2	Ring-Retaining	28	237-42	1	O-Ring
14	65-2770	2	Washer	29	60-5720	2	O-Ring
15	99-3526	1	Plug Assembly (Incl. Ref. #25 & 26)	30	59-7730	2	Washer-Backup
				*	99-3530	1	Kit-Seal (Incl. Ref. #1, 12-13, 20, 24-25 & 27-30) ●

● * Not Illustrated



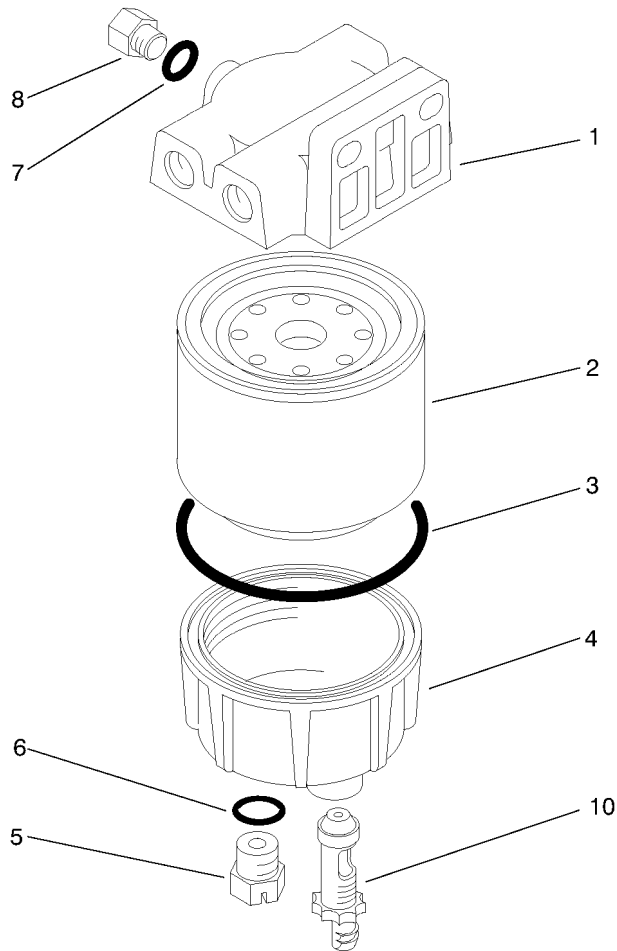
Neutral Arm Assembly

<i>Ref.</i>	<i>Part Number</i>	<i>Qty.</i>	<i>Description</i>	<i>Ref.</i>	<i>Part Number</i>	<i>Qty.</i>	<i>Description</i>
1	32105-13	2	Screw-SHH	19	3210-6	1	Screw-HH
2	3256-14	2	Washer-Flat	20	88-7200	1	Washer-Flat
3	92-7905	1	Switch Assembly	21	99-3592-03	1	Lever Assembly-Pump
4	3296-2	2	Nut-Lock NI	22	32128-44	2	Nut-Hex. Flange
5	95-8960-03	1	Bracket Assembly-Neutral	23	3234-5	2	Screw-Hfh
6	32128-43	1	Nut-Hex. Flange	24	99-3553-03	1	Bracket-Cable, Support
7	3234-1	3	Screw-Hfh	25	251-259	1	Bearing-Ball
8	95-8958-03	1	Neutral Arm Assembly	26	2411-41	1	Rod End
9	256-113	2	Bushing-Flange	27	3296-42	1	Nut-Lock NI
10	3-6498	1	Washer-Thrust	28	3274-104	1	Screw
11	302-60	1	Fitting-Grease, 90#	29	321-8	1	Screw-HH
12	3296-29	2	Nut-Lock NI	31	99-3556	1	Hose-Dampener
13	75-5470	1	Spacer	32	99-3549	1	Bracket-Adjuster
14	76-8640	1	Stud-Traction	33	63-8410	2	Washer-Flat
15	93-2099	1	Cable-Traction Control	34	95-2596	1	Mount-ISO
16	99-3591	1	Stud-Isolator	35	3296-39	1	Nut-Lock NI
17	33093-00	2	Washer-Flat	37	2412-112	1	Clamp
18	94-1369	1	Spring-Extension	38	3256-24	1	Washer-Flat



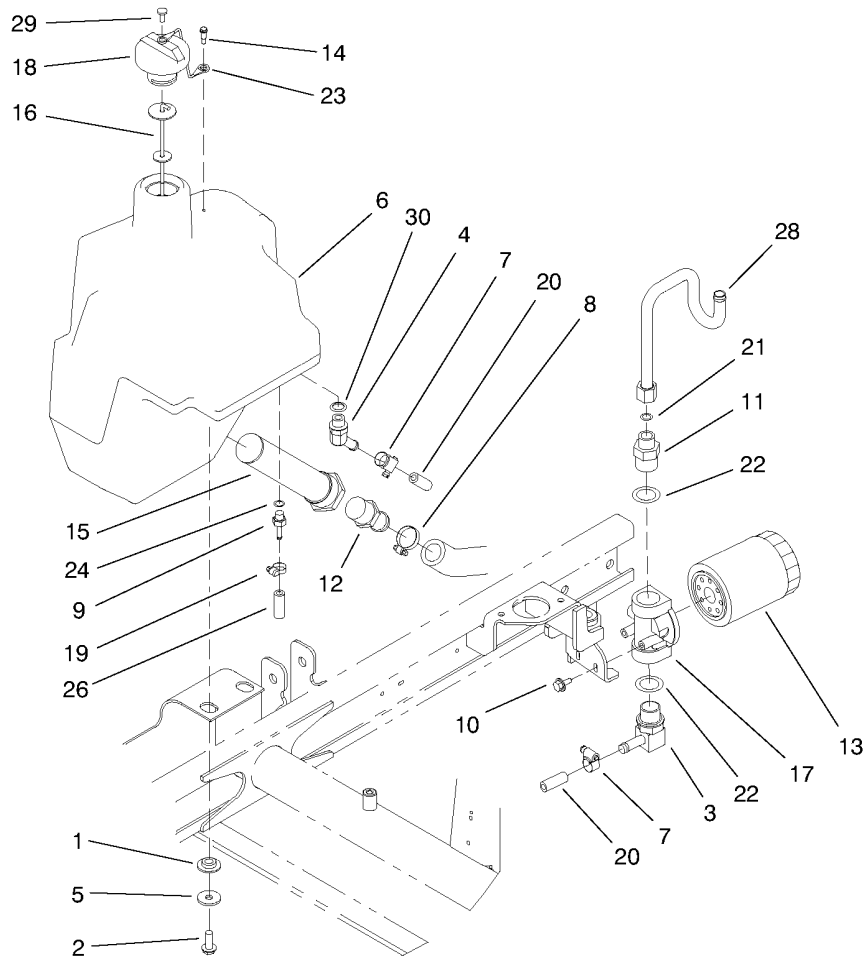
Fuel System Assembly

Ref.	Part Number	Qty.	Description	Ref.	Part Number	Qty.	Description
1	321-2	2	Screw-HH	21	87-4710	2	Spacer-Parking Brake
2	95-8620	1	Tank-Fuel (Incl. Ref. #7 & 8)	22	2412-108	13	Clamp-Hose
3	95-8881	1	Strap-Fuel Line	23	98-7612	1	Filter-Fuel
4	32144-10	4	Screw-HH	24	98-9305	1	Filter-Water/Fuel Separator
5	95-4193	1	Gas Cap Assembly-Diesel	25	353-783	2	Fitting-Fuel
6	95-8968-03	1	Support-Fuel Tank	26	3234-17	2	Screw-Hfh
7	95-8971	1	Fuel-Gauge	27	32128-44	2	Nut-Hex. Flange
8	95-8972	1	Grommet	28	95-8731-03	2	Strap-Support, Seat
9	46-6550	1	Fitting-Connector	29	95-8896	2	Foam
10	66-8121	1	Standpipe	30	3234-1	4	Screw-Hfh
11	2412-148	1	R-Clamp	31	71-3383	1	Hose
12	304-73	1	Fitting-Barb	34	71-3380	1	Hose
13	321-9	2	Screw-HH	35	99-3498	1	Hose
14	32128-33	2	Nut-Hex. Flange	36	99-3554	1	Hose
15	3255-7	1	Washer-Lock	38	63-9640	1	Hose
16	3256-22	2	Washer-Flat	39	2412-73	1	Clamp-R
17	354-20	1	Fitting-Tee	40	99-3464	1	Pump-Fuel
18	354-21	1	Fitting-Barbed	41	99-3185	1	Hose-Fuel
19	354-22	1	Fitting-Barbed	43	19-3250	1	Hose
20	46-6560	2	Bushing	51	32148-9	2	Insert-Threaded



Water / Fuel Separator Filter Assembly No. 98-9305

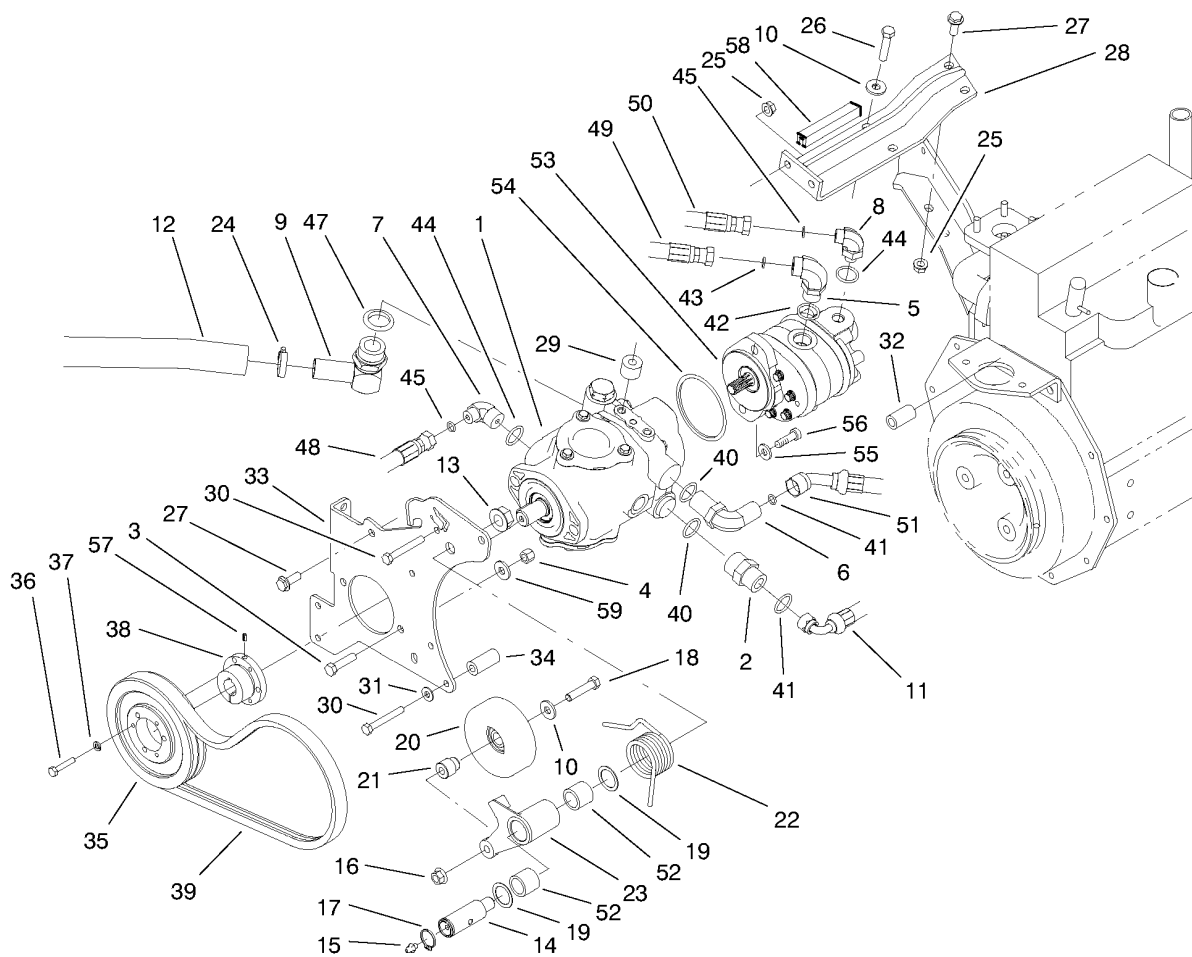
<i>Ref.</i>	<i>Part Number</i>	<i>Qty.</i>	<i>Description</i>
1	98-9772	1	Head-Filter
2	98-9764	1	Element-Spin On
3	98-9774	1	O-Ring, Filter Base
4	98-9775	1	Base-Filter
5	98-9773	1	Plug-Base, Filter (Incl. Ref. #6)
6	237-42	1	O-Ring
7	237-78	1	O-Ring
8	98-9776	1	Plug-Head, Filter (Incl. Ref. #7)
10	98-9777	1	Drain Valve Assembly



Hydraulic Tank Assembly

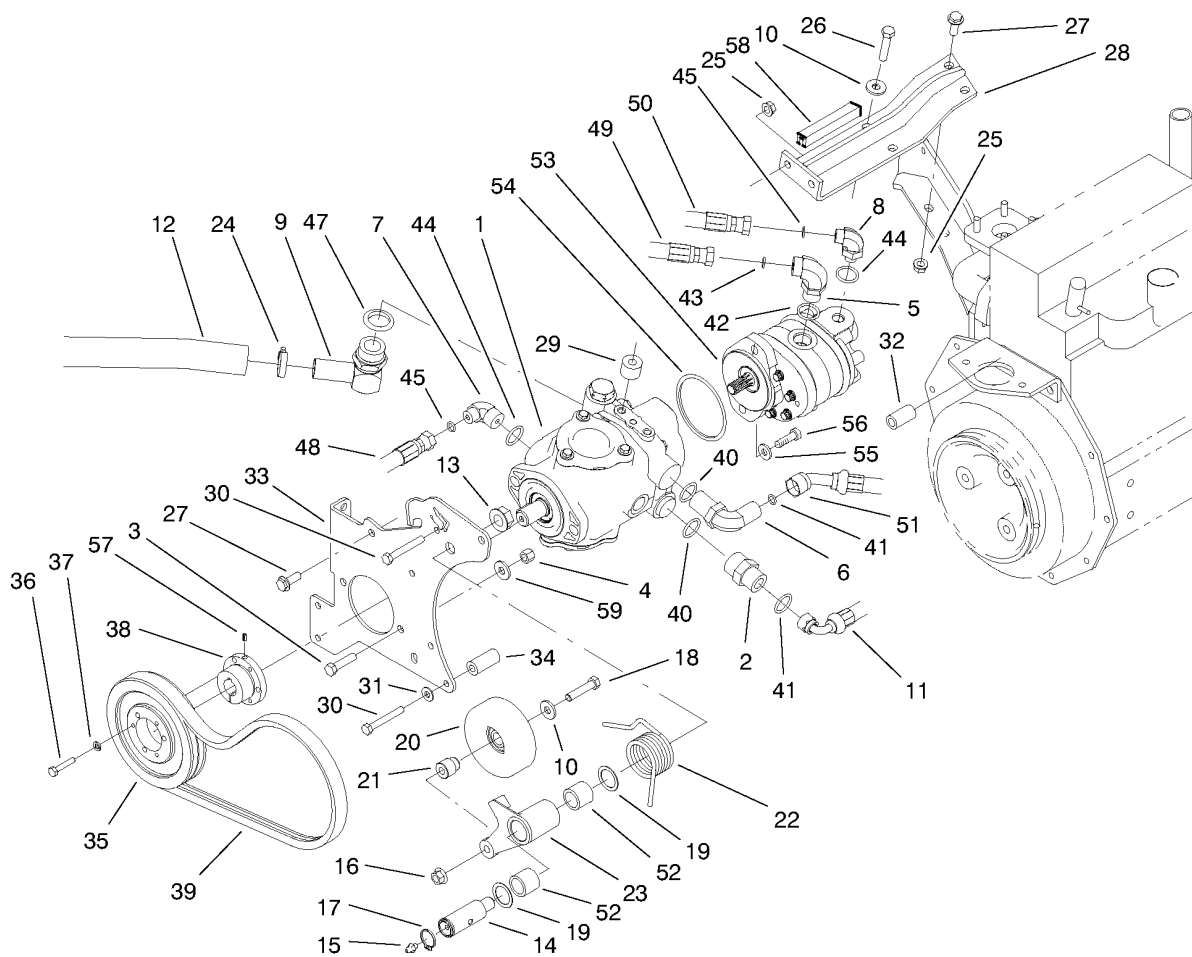
Ref.	Part Number	Qty.	Description	Ref.	Part Number	Qty.	Description
1	240-11	4	Grommet	15	75-0550	1	Suction-Strainer
2	3234-11	4	Screw-Hfh	16	75-3710	1	Dipstick Assembly-Oil
3	95-8814	1	Fitting-Barb (Incl. Ref. #22)	17	92-5821	1	Filter Head Assembly
4	354-126	1	Fitting-Barb (Incl. Ref. #30)	18	93-7160	1	Cap-Hydraulic Oil (Incl. Ref. #23 & 29)
5	63-8410	4	Washer-Flat	19	2412-108	1	Clamp-Hose
6	95-8708	1	Tank-Hydraulic	20	99-3501	1	Hose
7	2412-36	2	Clamp-Hose	21	237-65	1	O-Ring
8	2412-34	1	Clamp-Hose	22	237-81	2	O-Ring
9	95-8849	1	Fitting (Incl. Ref. #24)	23		1	Tether ●
10	3234-13	2	Screw-Hfh	24	237-78	1	O-Ring
11	340-8	1	Fitting-Hydraulic, Straight (Incl. Ref. #21 & 22)	26	66-8160	1	Hose
12	353-682	1	Fitting-Hydraulic	28	95-8704	1	Tube Assembly
13	54-0110	1	Element-Oil Filter	29		1	Plug ●
14	57-5420	1	Screw-Shoulder	30	237-79	1	O-Ring

● à Not Serviced Separately



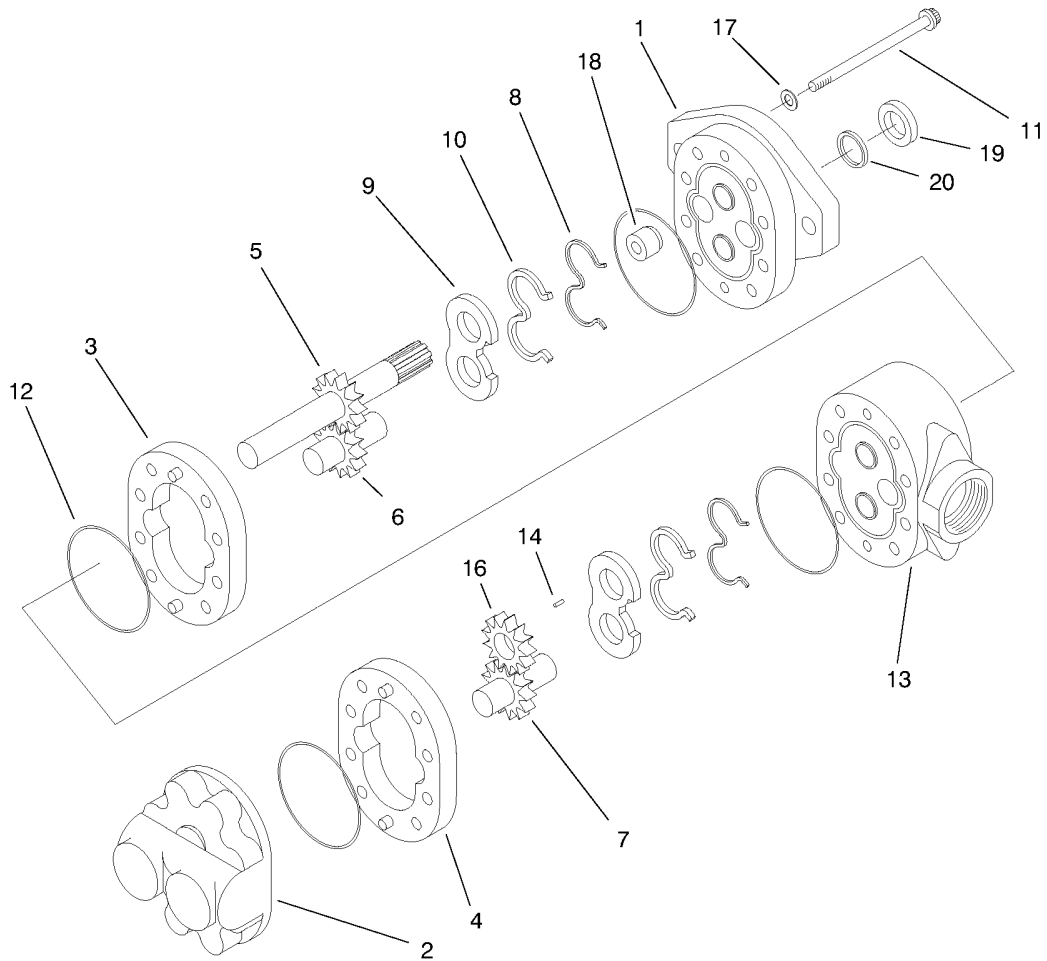
Hydrostat Assembly

Ref.	Part Number	Qty.	Description	Ref.	Part Number	Qty.	Description
1	100-4819	1	Pump-Piston	23	95-8957	1	Arm Assembly-Idler (Incl. Ref. #52)
2	340-8	1	Fitting-Hydraulic, Straight (Incl. Ref. #40 & 41)	24	2412-34	1	Clamp-Hose
3	323-8	2	Screw-HH	25	32128-43	4	Nut-Hex. Flange
4	3296-39	2	Nut-Hex. Lock	26	323-19	2	Screw-HH
5	340-105	1	Fitting-Hydraulic, 90# (Incl. Ref. #42 & 43)	27	3234-11	4	Screw-HH
6	340-139	1	Fitting-Hydraulic, 90# (Incl. Ref. #40 & 41)	28	99-3436-03	1	Pump Support Assembly
7	340-18	1	Fitting-Hydraulic, 90# (Incl. Ref. #44 & 45)	29	99-3440	2	Spacer
8	340-77	1	Fitting-Hydraulic, 90# (Incl. Ref. #45 & 46)	30	33114-060	4	Screw-HH
9	56-9530	1	Fitting-Hydraulic, 90# (Incl. Ref. #47)	31	87-8640	3	Washer-Flat
10	80-6990	3	Washer-Hardened	32	95-8736	1	Spacer
11	95-8834	1	Hose Assembly	33	95-8933-03	1	Plate-Pump, Mount
12	95-8956	1	Hose-Suction	34	95-8941	4	Spacer-Mount, Pump
13	32128-54	1	Nut-Hex. Flange	35	93-6841	1	Pulley
14	95-8918	1	Pin-Pivot, Idler	36	321-13	3	Screw-HH
15	302-5	1	Fitting-Grease	37	3253-3	3	Washer-Lock
16	32128-21	1	Nut-Hex. Flange	38	93-6842	1	Bushing-Taper Lock (Incl. Ref. #57)
17	32151-36	1	Ring-Retaining	39	95-8730	1	V-Belt
18	323-10	1	Screw-HH	40	237-81	2	O-Ring
19	74-1810	2	Washer-Thrust	41	237-65	2	O-Ring
20	95-8802	1	Pulley-Idler	42	237-80	1	O-Ring
21	95-8806	1	Spacer	43	237-30	1	O-Ring
22	95-8917	1	Spring-Torsion	44	237-79	1	O-Ring
				45	237-22	1	O-Ring
				46	237-42	1	O-Ring
				47	237-117	1	O-Ring



Hydrostat Assembly (continued)

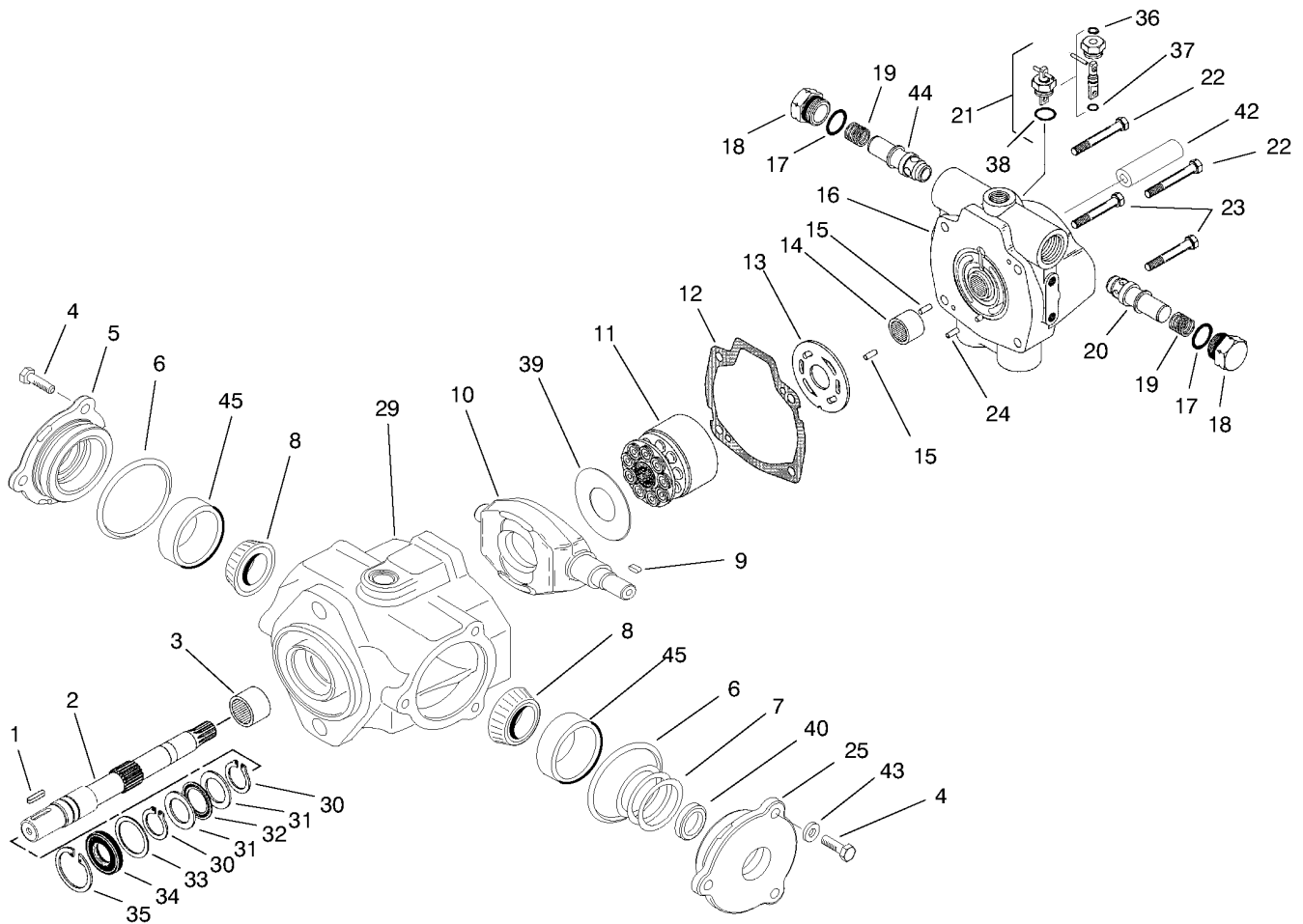
<i>Ref.</i>	<i>Part Number</i>	<i>Qty.</i>	<i>Description</i>	<i>Ref.</i>	<i>Part Number</i>	<i>Qty.</i>	<i>Description</i>
48	95-8830	1	Hose Assembly	54	60-3520	1	O-Ring
49	95-8829	1	Hose Assembly	55	3256-24	2	Washer-Flat
50	95-8846	1	Hose Assembly	56	3274-1	2	Screw-HSH
51	95-8833	1	Hose Assembly	57	3245-36	1	Screw-Set
52	3-0348	2	Bushing	58	70-2041	1	Trim
53	95-8601	1	Gear Pump ASM	59	100-4852	2	Washer-Hardened



Gear Pump Assembly No. 95-8601

Ref.	Part Number	Qty.	Description
1		1	Plate-Front
2		1	Plate-Back
3		1	Body
4	95-4364	1	Body
5		1	Gear-Drive
6		1	Gear-Idler
7	95-4366	1	Gear-Idler
8	95-4367	2	Gasket-Backup
9	95-4368	2	Plate-Wear
10	95-4369	2	Seal-Pressure
11	94-8158	8	Screw-Cap
12		4	O-Ring
13		1	Plate-Adapter
14		1	Key
16	95-4373	1	Gear
17	94-8160	4	Washer
18	94-3011	1	Plug
19	49-2640	1	Seal
20	60-5890	1	Washer
*	94-8161	1	Kit-Seal Repair (Incl. Ref. #8-10, 12 & 18-20) ●

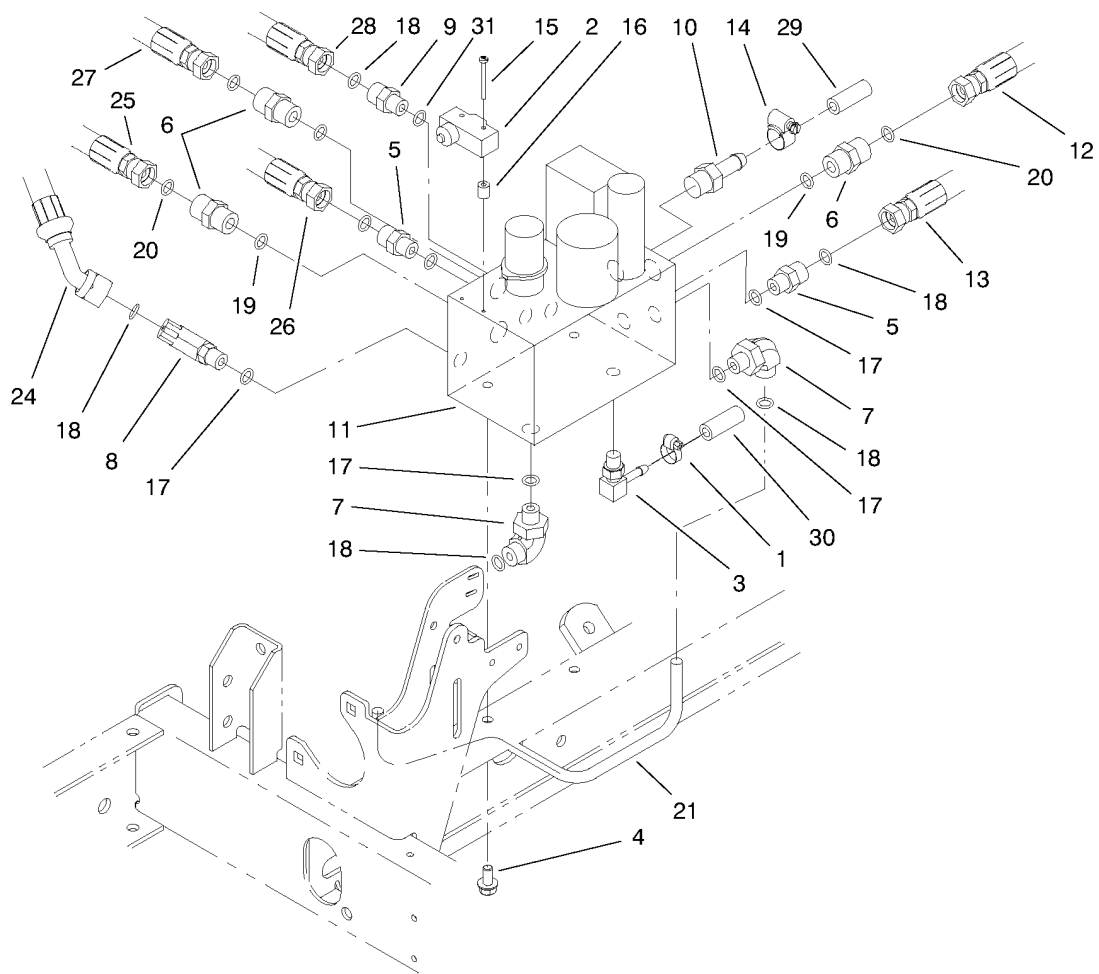
● * Not Illustrated



Piston Pump Assembly No. 100-4819

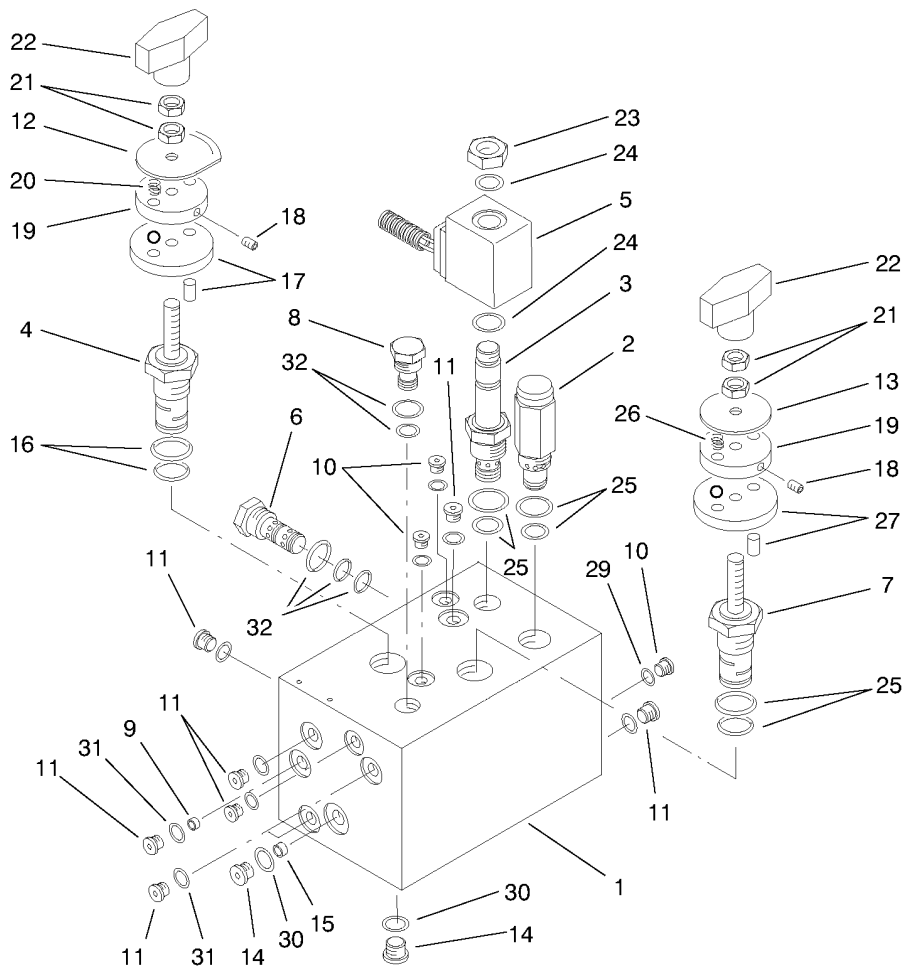
Ref.	Part Number	Qty.	Description	Ref.	Part Number	Qty.	Description
1	94-3645	1	Key	23	76-6160	2	Screw-Cap
2	94-6359	1	Shaft-Drive	24		1	Pin-Roll
3	94-6363	1	Bearing	25	98-4645	1	Cover Plate
4	98-4640	6	Screw-Cap	29	100-3176	1	Housing Assembly (Incl. Ref. #3)
5	98-4633	1	Cover Plate Assembly	30	32151-29	2	Ring-Retaining
6	100-3179	2	O-Ring	31	252-71	2	Race-Bearing
7	100-3182	0	Shim Kit	32	252-66	1	Bearing-Thrust
8	98-4639	2	Bearing-Cone	33	33-3720	1	Washer
9	94-3646	1	Key	34	42-2720	1	Seal-Shaft
10	99-3520	1	Plate-Cam	35	32151-13	1	Ring-Retaining
11	76-6070	1	Rotating Kit Assembly	36		1	Ring-Retaining
12	33-4930	1	Gasket	37		1	O-Ring
13	99-3522	1	Plate-Valve	38		1	O-Ring
14	94-6368	1	Bearing	39	98-4635	1	Insert-Camplate
15	76-6150	2	Pin-Dowel	40		1	Seal-Shaft
16	100-3177	1	Back Plate Assembly (Incl. Ref. #14 & 24)	41		1	Ring-Retaining
17		4	O-Ring	42	74-9040	1	Coupler
18	70-1240	2	Plug Assembly (Incl. Ref. #17)	43	95-6055	6	Washer
19	76-6200	2	Spring	44	99-3521	1	Relief Valve Assembly
20	94-3644	1	Seat	45	100-4949	2	Race-Bearing
21	100-3181	1	Dump Valve Assembly	*	98-4636	1	Seal Repair Kit (Incl. Ref. #6, 12, 17, 30, 34-38 & 40-41) ●
22	76-6170	2	Screw-Cap				

● * Not Illustrated



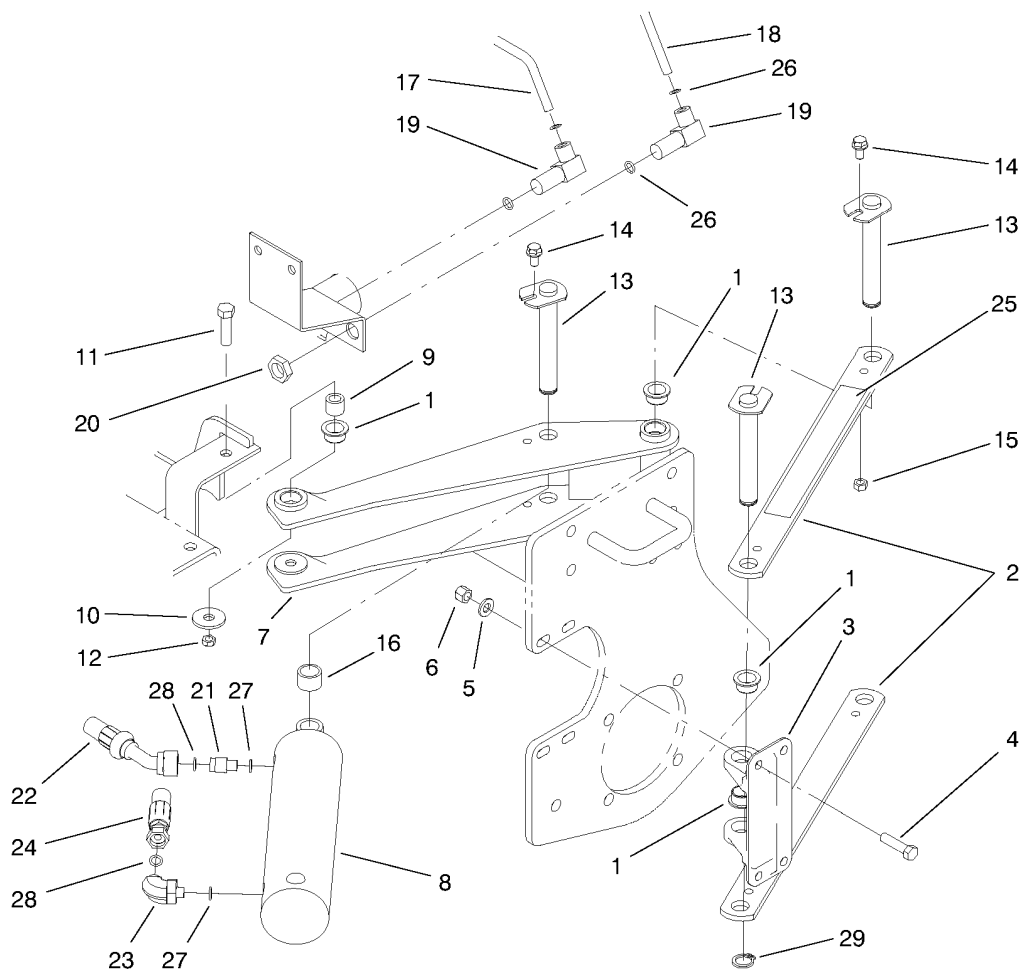
Manifold Block Assembly

Ref.	Part Number	Qty.	Description	Ref.	Part Number	Qty.	Description
1	2412-108	1	Clamp-Hose	21	95-8792	1	Tube Assembly (Model No. 03201)
2	29-6162	1	Switch-Micro	24	99-3576	1	Hose Assembly (Model No. 03200)
3	304-99	1	Fitting-Barb	24	95-8823	1	Hose Assembly (Model No. 03201)
4	3234-5	2	Screw-Hfh	25	99-3578	1	Hose Assembly (Model No. 03200)
5	340-2	2	Fitting-Hydraulic, Straight (Incl. Ref. #17 & 18)	25	95-8824	1	Hose Assembly (Model No. 03201)
6	340-4	3	Fitting-Hydraulic, Straight (Incl. Ref. #19 & 20)	26	99-3579	1	Hose Assembly (Model No. 03200)
7	340-77	2	Fitting-Hydraulic, 90# (Incl. Ref. #17 & 18)	26	95-8821	1	Hose Assembly (Model No. 03201)
8	340-87	1	Fitting-Hydraulic, 45# (Incl. Ref. #17 & 18)(Model No. 03201)	27	99-3574	1	Hose Assembly (Model No. 03200)
9	340-88	1	Fitting-Hydraulic, Straight (Incl. Ref. #18 & 31)	27	95-8820	1	Hose Assembly (Model No. 03201)
10	354-121	1	Fitting-Barb	28	99-3577	1	Hose Assembly (Model No. 03200)
11	95-8675	1	Manifold-Hydraulic	28	95-8825	1	Hose Assembly (Model No. 03201)
12	95-8829	1	Hose Assembly	29	99-3500	1	Hose
13	95-8830	1	Hose Assembly	30	66-8160	1	Hose
14	2412-36	1	Clamp-Hose	31	237-78	1	O-Ring
15	95-8762	2	Spacer				
16	3250-46	2	Screw-PPH				
17	237-42	5	O-Ring				
18	237-22	6	O-Ring				
19	237-79	3	O-Ring				
20	237-30	3	O-Ring				
21	99-3551	1	Tube Assembly (Model No. 03200)				



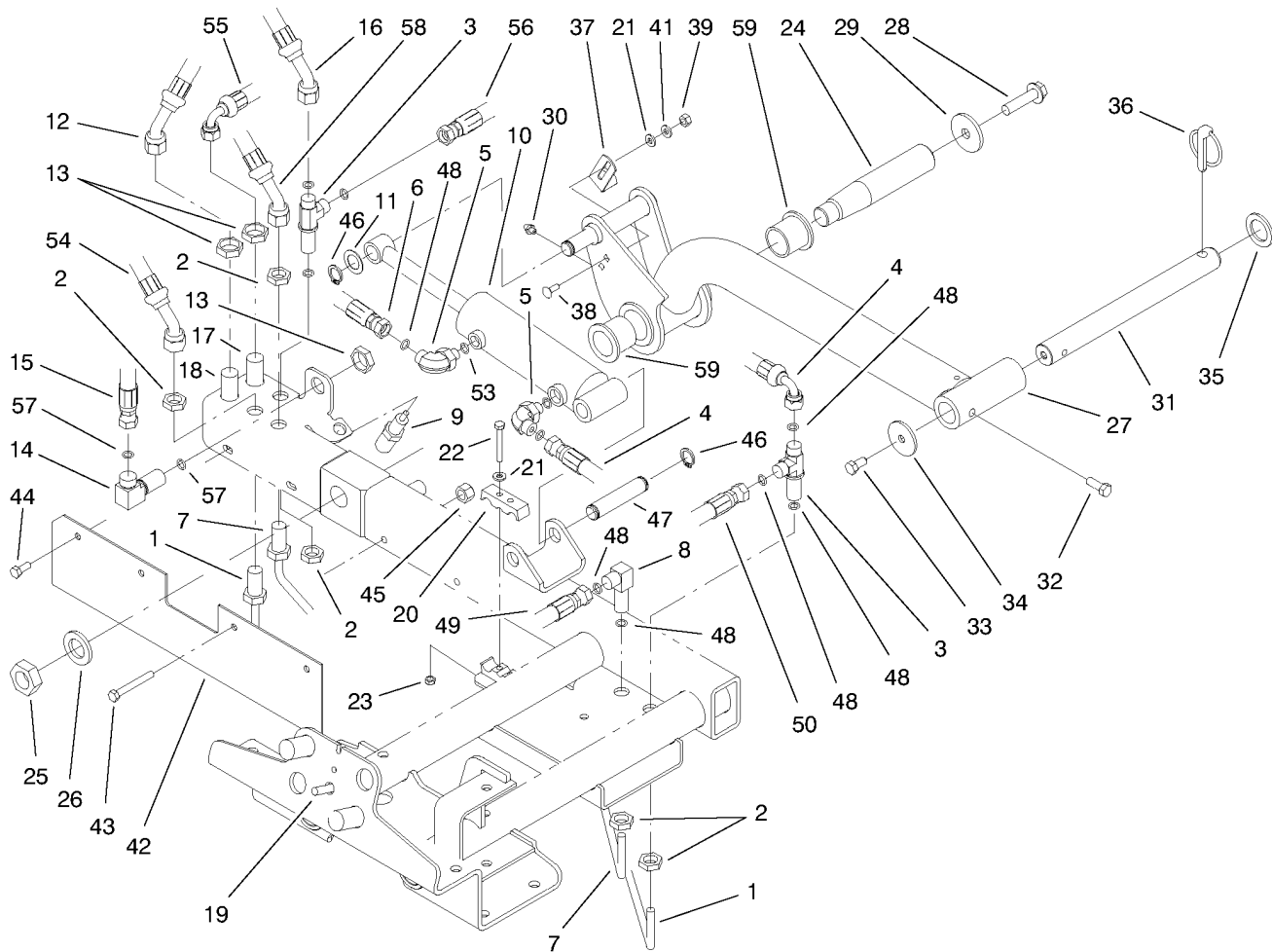
Hydraulic Manifold Assembly No. 95-8675

Ref.	Part Number	Qty.	Description	Ref.	Part Number	Qty.	Description
1		1	Body-Manifold	14	353-989	3	Plug-SAE (Incl. Ref. #30)
2	94-3655	1	Assembly-Cartridge Valve (Incl. Ref. #25)	15	99-3544	1	Plug
3	93-7494	1	Assembly-Spool (Incl. Ref. #23-25)	16	94-3661	1	Kit-Seal
4	94-3657	1	Assembly-Spool (Incl. Ref. #16)	17	94-5021	1	Assembly-Locating Plate
5	83-2010	1	Assembly-Coil (Incl. Ref. #24)	18	3245-36	2	Screw-Set
6	69-4120	1	Assembly-Cartridge Valve (Incl. Ref. #32)	19	94-5023	2	Assembly-Detent Plate (Incl. Ref. #18)
7	94-3659	1	Assembly-Spool (Incl. Ref. #25)	20	94-5024	2	Spring-Compression
8	99-3542	1	Cartridge-Cavity Plug (Incl. Ref. #32)	21	3218-1	4	Nut-Jam
9	95-5999	2	Plug-Orifice	22	94-5020	2	Knob
10	353-991	4	Plug-SAE (Incl. Ref. #29)	23	69-4300	1	Nut
11	353-990	12	Plug-SAE (Incl. Ref. #31)	24	94-5438	2	O-Ring
12	99-3543	1	Plate-Indicator	25	75-2080	3	Kit-Seal
13	94-5026	1	Plate-Indicator	26	94-5027	2	Spring-Compression
				27	94-5025	1	Assembly-Locating Plate
				29	237-156	4	O-Ring
				30	237-42	3	O-Ring
				31	237-78	12	O-Ring
				32	69-4240	2	Kit-Seal



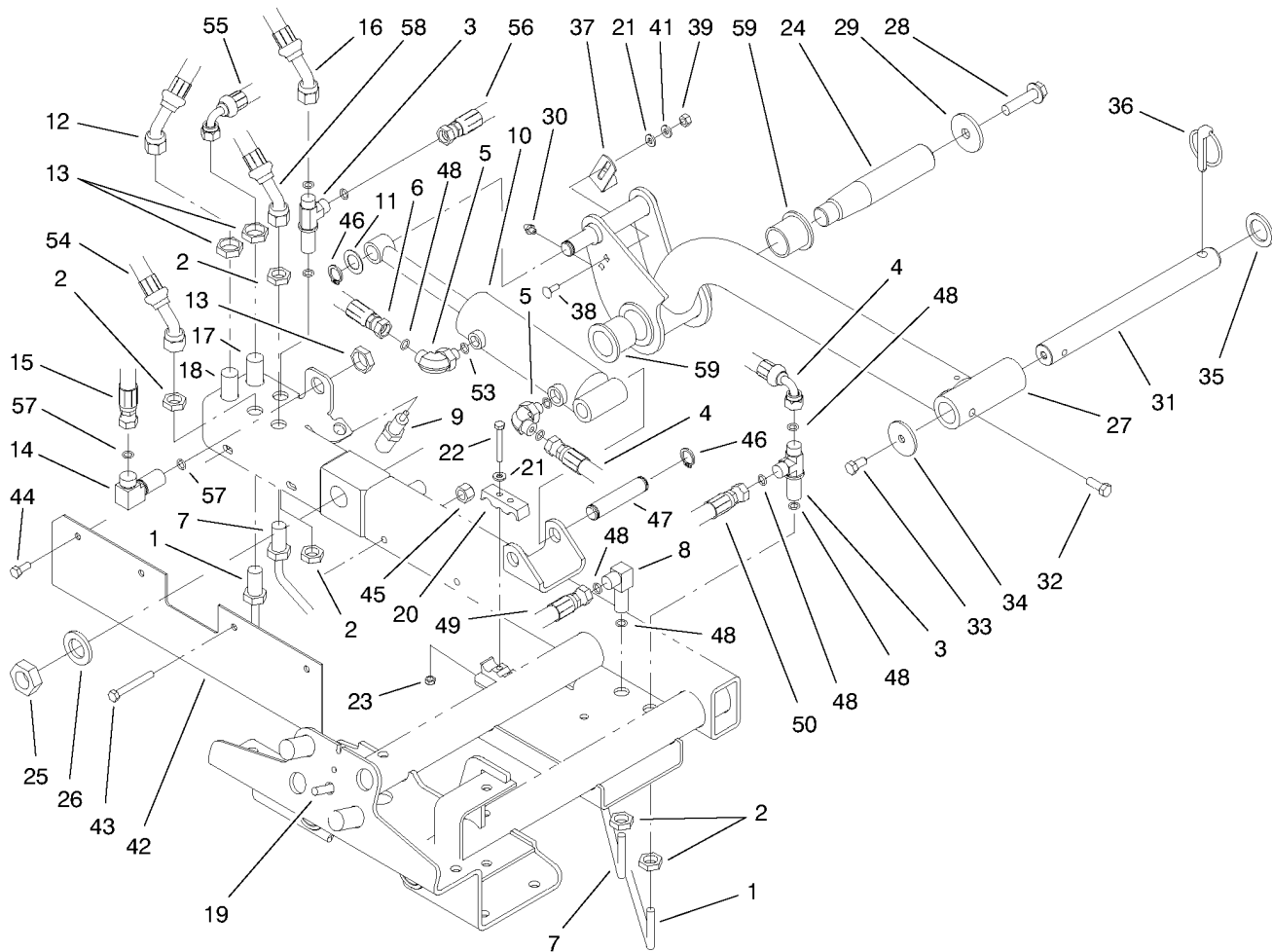
Scissors Assembly (model No. 03201 Only)

<i>Ref.</i>	<i>Part Number</i>	<i>Qty.</i>	<i>Description</i>	<i>Ref.</i>	<i>Part Number</i>	<i>Qty.</i>	<i>Description</i>
1	95-8526	6	Bushing-Plastic	17	95-8790	1	Tube Assembly
2	99-3505	2	Link-Scissor (Incl. Ref. #25)	18	95-8791	1	Tube Assembly
3	95-8883	1	Mount-Scissor	19	340-154	2	Fitting-Hydraulic, 90# (Incl. Ref. #26)
4	323-7	4	Screw-HH	20	340-70	2	Nut-Lock, Bulkhead
5	3256-24	4	Washer-Flat	21	85-9720	1	Fitting-Hydraulic, Straight (Incl. Ref. #27 & 28)
6	3296-39	4	Nut-Lock NI	22	95-8838	1	Hose
7	95-8521-03	1	Scissor Frame	23	340-132	1	Fitting-Hydraulic, 90# (Incl. Ref. #27 & 28)
8	95-8512	1	Cylinder-Hydraulic	24	95-8839	1	Hose
9	95-8603	2	Spacer	25	94-3353	1	Decal-Pinch Point
10	87-5330	2	Washer-Flat	26	237-22	4	O-Ring
11	324-6	2	Screw-HH	27	237-78	2	O-Ring
12	3296-48	2	Nut-Lock NI	28	237-21	2	O-Ring
13	95-8529	3	Pin-Welded	29	32120-93	1	Ring-Retaining
14	3234-14	3	Screw-Hfh				
15	32152-1	3	Nut-Lock				
16	46-6350	2	Spacer				



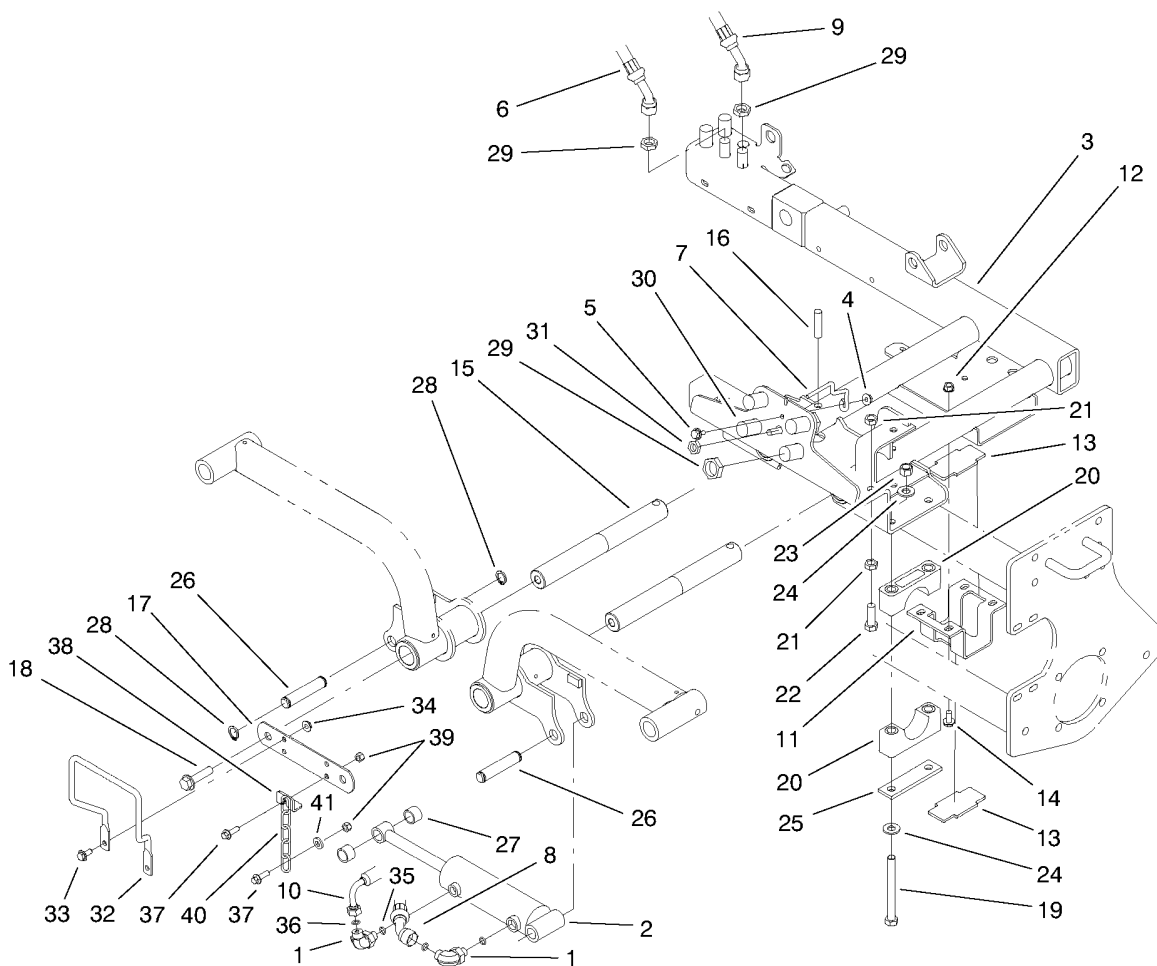
Rear Lift Arm Assembly

Ref.	Part Number	Qty.	Description	Ref.	Part Number	Qty.	Description
1	95-8984	1	Tube Assembly	16	99-3577	1	Hose Assembly (Model No. 03200)
2	340-70	5	Nut-Lock	16	95-8825	1	Hose Assembly (Model No. 03201)
3	340-68	2	Fitting-Hydraulic, Tee (Incl. Ref. #48)	17	95-8980	1	Tube Assembly
4	95-8831	1	Hose Assembly	18	95-8981	1	Tube Assembly
5	340-77	2	Fitting-Hydraulic, 90# (Incl. Ref. #48 & 53)	19	95-8982	1	Tube Assembly
6	99-3576	1	Hose Assembly (Model No. 03200)	20	93-2509	2	Clamp-Tube
6	95-8823	1	Hose Assembly (Model No. 03201)	21	3256-22	6	Washer-Flat
7	95-8983	1	Tube Assembly	22	321-11	2	Screw-HH
8	340-154	1	Fitting-Hydraulic, 90# (Incl. Ref. #48)	23	3296-42	2	Nut-Hex. Lock
9	93-6762	1	Switch-Push Button	24	95-8990	1	Shaft-Pivot, Rear
10	95-8978	1	Cylinder-Hydraulic	25	3220-9	1	Nut-Hex. Jam
11	3-6498	1	Washer-Thrust	26	86-1480	1	Washer
12	99-3574	1	Hose Assembly (Model No. 03200)	27	95-8985	1	Lift Arm Assembly (Incl. Ref. #59)
12	95-8820	1	Hose Assembly (Model No. 03201)	28	3234-27	1	Screw-Hfh
13	340-127	3	Nut-Bulkhead	29	75-7730	1	Washer-Thrust
14	93-9151	1	Fitting-Hydraulic (Incl. Ref. #57)	30	302-5	1	Fitting-Grease
15	99-3578	1	Hose Assembly (Model No. 03200)	31	95-8979	1	Shaft-Cu, Pivot
15	95-8824	1	Hose Assembly (Model No. 03201)	32	323-6	1	Screw-HH
				33	323-4	1	Screw-HH
				34	63-7400	1	Washer-Rebound
				35	3-6781	1	Washer
				36	283-71	1	Pin-Lynch
				37	95-8613	1	Bracket-Switch
				38	3229-1	2	Screw-CARR
				39	3217-5	2	Nut-Hex.



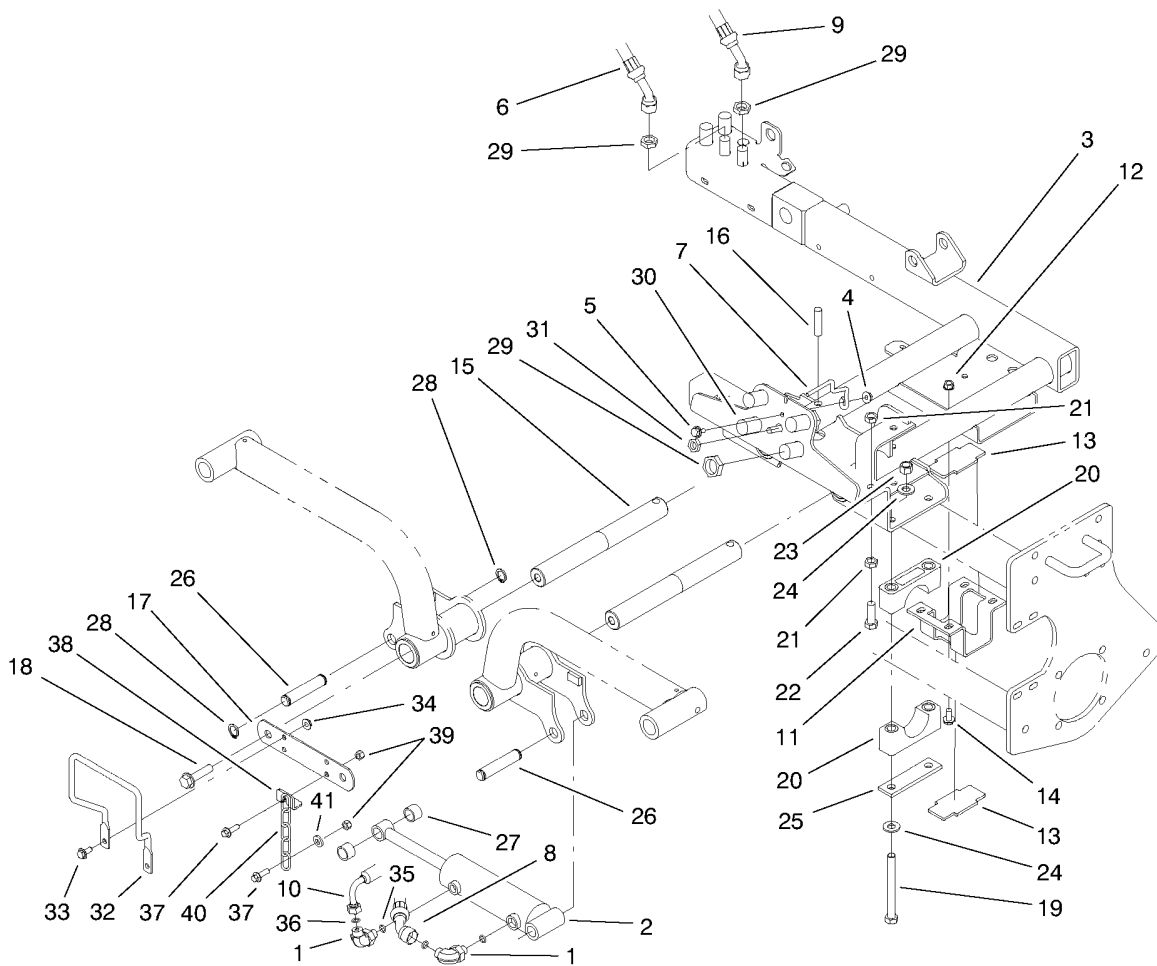
Rear Lift Arm Assembly (continued)

<i>Ref.</i>	<i>Part Number</i>	<i>Qty.</i>	<i>Description</i>	<i>Ref.</i>	<i>Part Number</i>	<i>Qty.</i>	<i>Description</i>
41	3253-3	2	Washer-Lock	54	95-8822	1	Hose Assembly (Model No. 03201)
42	95-8591-03	1	Guard	55	95-8826	1	Hose Assembly
43	322-12	2	Screw-HH	56	95-8828	1	Hose Assembly
44	322-3	2	Screw-HH	57	237-30	2	O-Ring
45	3296-29	4	Nut-Lock NI	58	99-3579	1	Hose Assembly (Model No. 03200)
46	32120-93	3	Ring-Retaining, External	58	95-8821	1	Hose Assembly (Model No. 03201)
47	95-8575	1	Pin-Clevis	59	69-6470	2	Bushing
48	237-22	9	O-Ring				
49	95-8840	1	Hose Assembly				
50	99-3439	1	Hose Assembly				
53	237-42	1	O-Ring				
54	99-3575	1	Hose Assembly (Model No. 03200)				



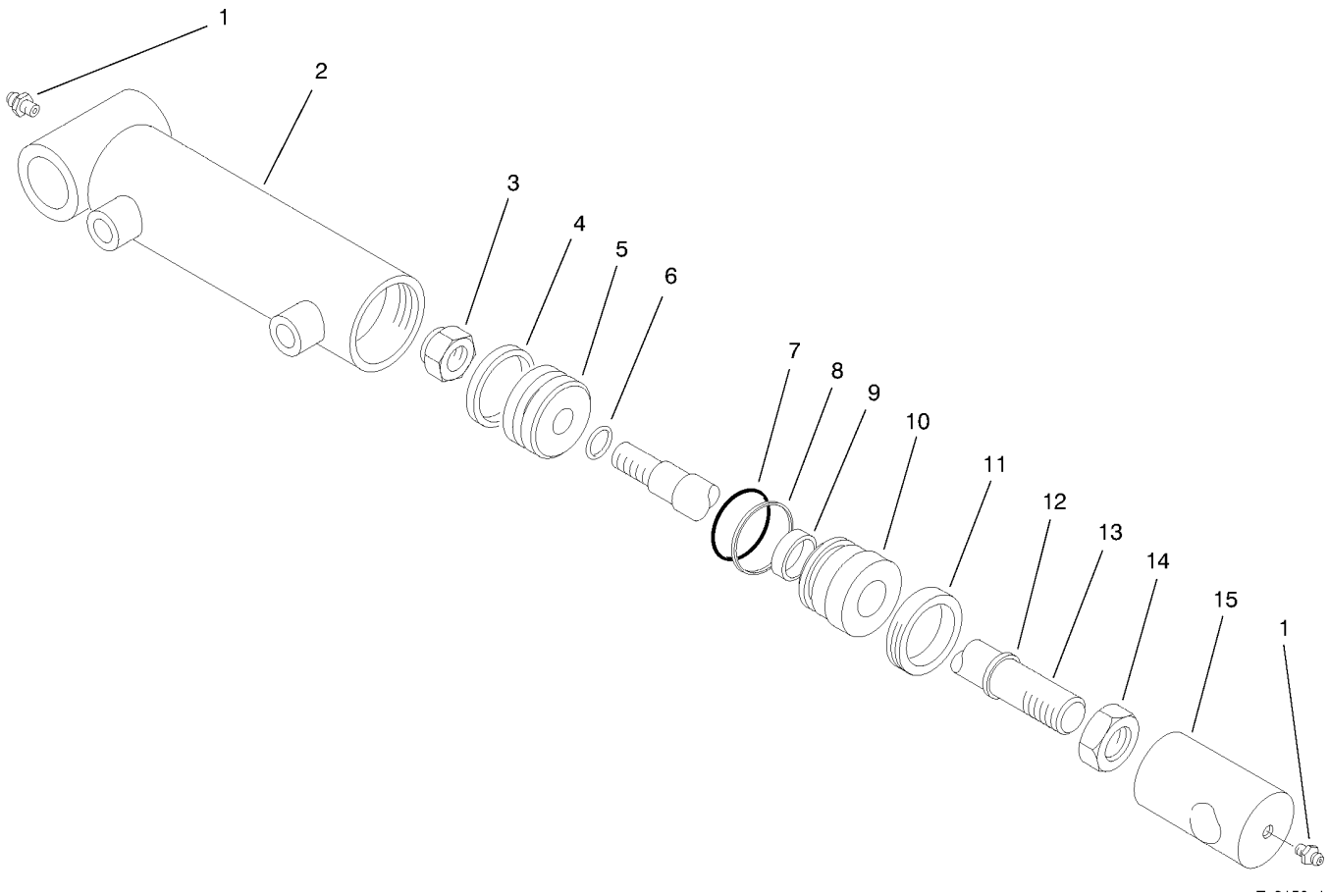
Carrier Assembly

Ref.	Part Number	Qty.	Description	Ref.	Part Number	Qty.	Description
1	340-77	2	Fitting-Hydraulic, 90# (Incl. Ref. #35 & 36)	14	3234-1	4	Screw-Hfh
2	95-8978	1	Cylinder-Hydraulic	15	95-8531	2	Shaft-Pivot, Liftarm
3	100-4930-03	1	Carrier Assembly	16	32121-122	2	Pin-Roll
4	32128-33	1	Nut-Hex. Flange (Model 03201)	17	95-8532-03	1	Link-Shaft, Pivot
5	3234-4	1	Screw-Hfh (Model 03201)	18	3234-27	2	Screw-Hfh
6	99-3575	1	Hose Assembly (Model No. 03200)	19	325-38	8	Screw-HH (Model No. 03201)
6	95-8822	1	Hose Assembly (Model No. 03201)	19	325-19	4	Screw-HH (Model No. 03200)
7	99-3433	1	Wire-Centering (Model 03201)	20	95-8884	4	Clamp (Model No. 03200)
8	99-3439	1	Hose Assembly	20	95-8609	8	Cap-Bearing (Model No. 03201)
9	99-3579	1	Hose Assembly (Model No. 03200)	21	3218-5	4	Nut-Jam
9	95-8821	1	Hose Assembly (Model No. 03201)	22	325-6	2	Screw-HH
10	95-8840	1	Hose Assembly	23	3296-23	8	Nut-Hex. Lock (Model No. 03201)
11	95-8904-03	1	Bracket-Clamp (Model No. 03200)	23	3296-23	4	Nut-Hex. Lock (Model No. 03200)
11	95-8519	1	Bracket-Slide (Model No. 03201)	24	87-7270	16	Washer-Hardened (Model No. 03201)
12	32128-43	4	Nut-Hex. Flange	24	87-7270	8	Washer-Hardened (Model No. 03200)
13	95-8538	1	Slide-Plastic (Model No. 03200)	25	99-3373	4	Bar-Support, Slide (Model No. 03201)
13	95-8538	2	Slide-Plastic (Model No. 03201)	25	99-3373	2	Bar-Support, Slide (Model No. 03200)
				26	95-8575	2	Pin-Clevis
				27	75-9590	2	Spacer



Carrier Assembly (continued)

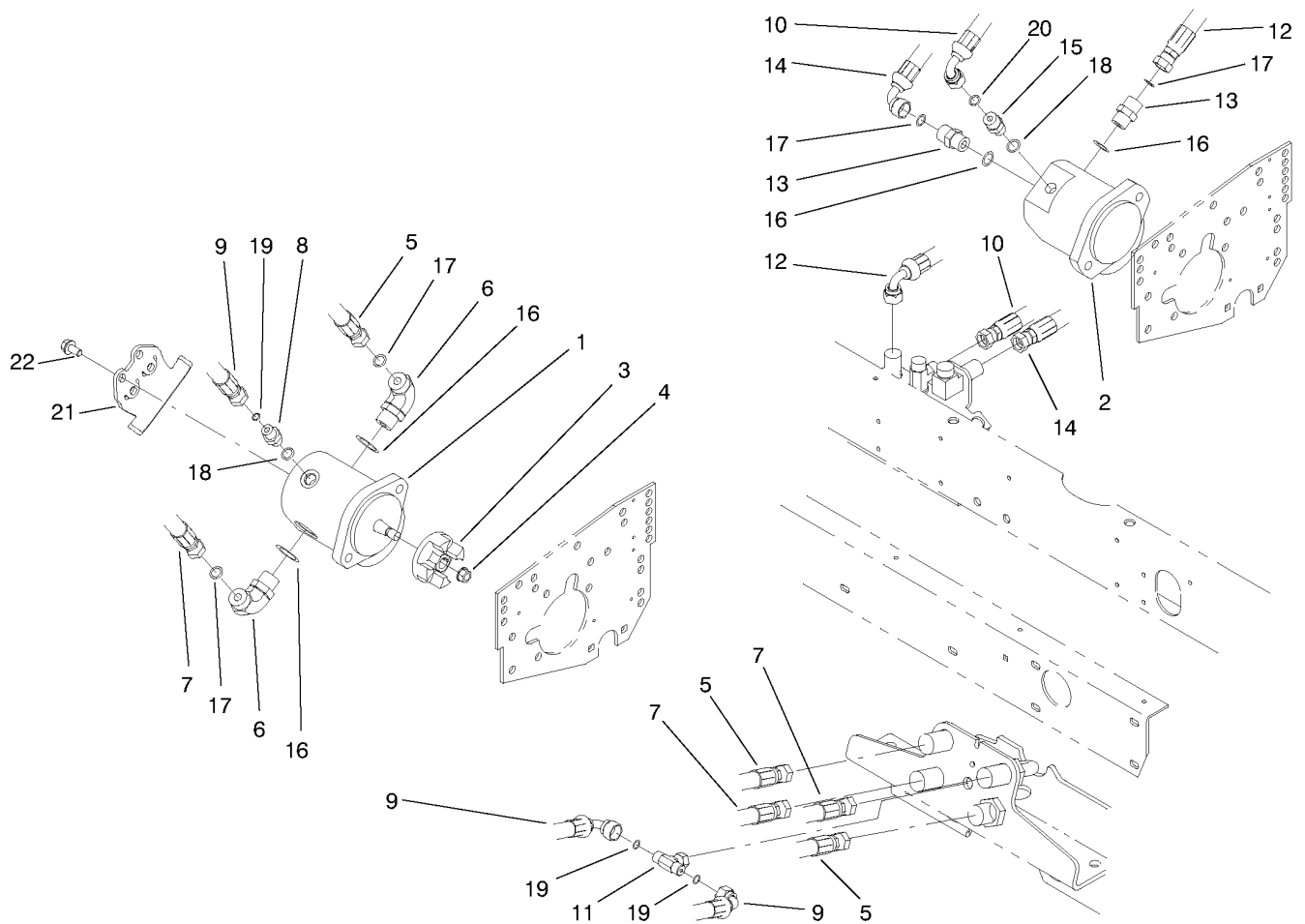
<i>Ref.</i>	<i>Part Number</i>	<i>Qty.</i>	<i>Description</i>	<i>Ref.</i>	<i>Part Number</i>	<i>Qty.</i>	<i>Description</i>
28	32120-93	4	Ring-Retaining, External	35	237-42	2	O-Ring
29	340-74	4	Nut-Bulkhead	36	237-22	2	O-Ring
30	94-1319	1	Tube-Hydraulic	37	3234-17	4	Screw-Hfh
31	340-78	1	Nut-Bulkhead	38	99-3550	2	Clip-Link
32	99-3492	1	Rod-Hose (Model No. 03201)	39	3296-29	4	Nut-Hex.
33	3234-5	2	Screw-Hfh (Model No. 03201)	40	98-7981	2	Chain-Straight Link
34	32128-44	2	Nut-Hex. Flange (Model No. 03201)	41	3256-23	2	Washer-Plain



Hydraulic Cylinder Assembly No. 95-8978

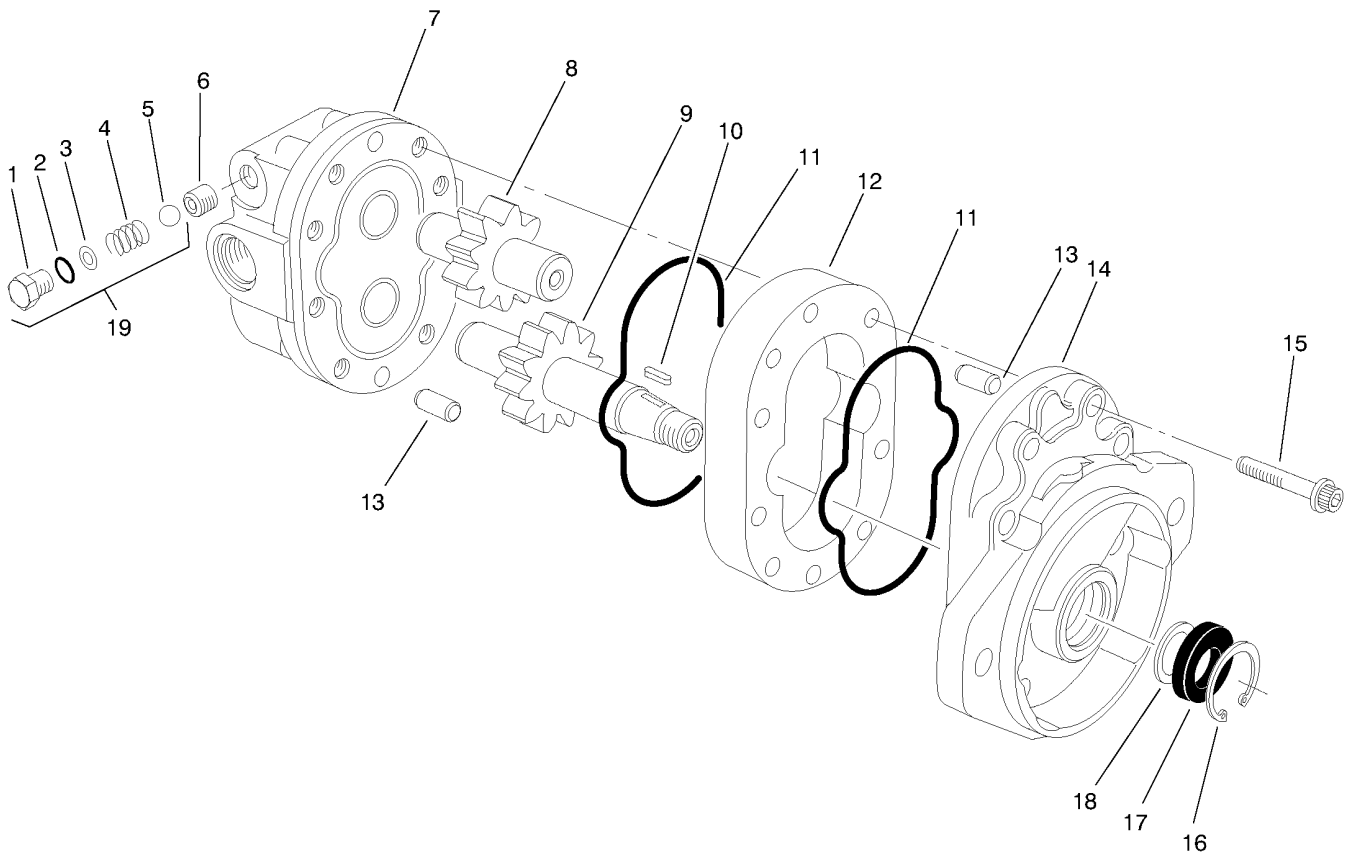
<i>Ref.</i>	<i>Part Number</i>	<i>Qty.</i>	<i>Description</i>
1	302-5	2	Fitting-Grease
2		1	Barrel W/Clevis
3	32152-10	1	Nut
4		1	Uniring
5	52-1990	1	Piston
6		1	O-Ring
7		1	O-Ring
8		1	Ring-Backup
9		1	Seal-Rod
10	65-4860	1	Head
11	99-3532	1	Collar-Internal
12		1	Seal-Dust
13	99-3534	1	Shaft
14	3220-6	1	Nut
15	99-3533	1	Clevis
*	83-7240	1	Kit-Seal Repair (Incl. Ref. #4, 6-9 & 12)

● * Not Illustrated



Cutting Unit Drive Assembly

Ref.	Part Number	Qty.	Description
1	99-3627	2	Motor-Hydraulic
2	93-6975	1	Motor-Hydraulic
3	93-8823	3	Coupler-Reel Motor
4	32128-48	3	Nut-Hex. Flange
5	95-8836	2	Hose
6	340-105	4	Fitting-Hydraulic, 90# (Incl. Ref. #16 & 17)
7	95-8835	2	Hose
8	340-1	2	Fitting-Hydraulic, Straight (Incl. Ref. #18 & 19)
9	95-8837	2	Hose
10	95-8828	1	Hose
11	99-3477	1	Fitting-Hydraulic, Tee (Incl. Ref. #19)
12	95-8826	1	Hose
13	340-6	2	Fitting-Hydraulic, Straight (Incl. Ref. #16 & 17)
14	95-8827	1	Hose
15	340-2	1	Fitting-Hydraulic, Straight (Incl. Ref. #18 & 20)
16	237-80	6	O-Ring
17	237-30	6	O-Ring
18	237-42	4	O-Ring
19	237-21	4	O-Ring
20	237-22	2	O-Ring
21	100-4846-03	2	Plate-Skid, Motor
22	3234-14	8	Screw-HHF

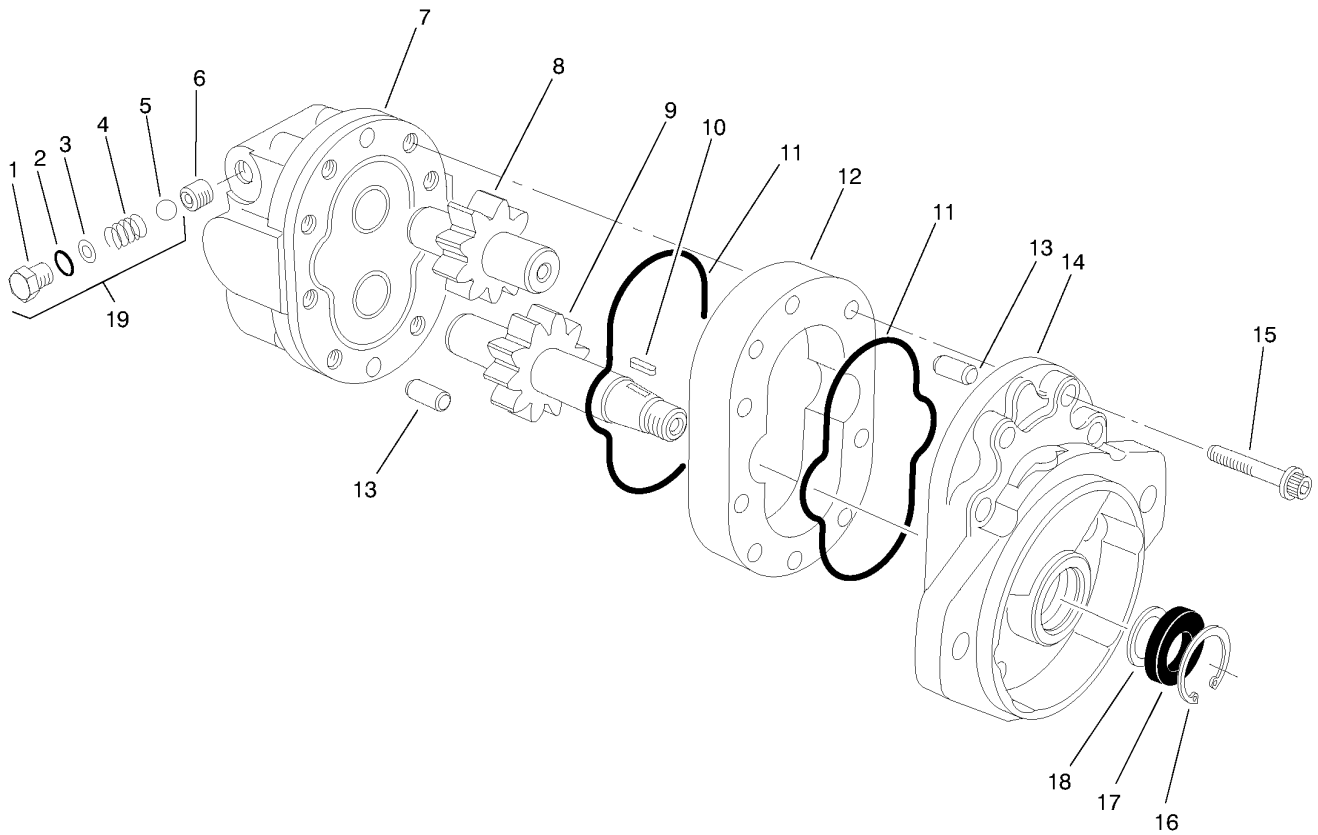


Hydraulic Motor Assembly No. 99-3627

Ref.	Part Number	Qty.	Description
1		2	Plug ■
2		2	O-Ring ■
3		0	Shim ■
4		2	Spring ■
5		2	Ball ■
6		2	Seal-Relief Valve ■
7	100-4873	1	Asm-Backplate/Relief (Incl. Ref. #1-6)
8	94-3601	1	Gear-Idler
9	94-3602	1	Gear-Drive
10	94-3606	1	Key
11	59-8420	2	O-Ring
12	94-3603	1	Body
13	42-2010	2	Pin-Alignment
14	66-5730	1	Asm-Front Plate
15	94-3600	8	Screw-Hex. Socket Hd.
16	59-8320	1	Ring-Retaining
17	66-5710	1	Seal-Oil
18	60-5890	1	Washer-Backup
19	92-9260	1	Asm-Relief Valve (Incl. Ref. #1-5)
*	93-1413	1	Kit-Seal Repair (Incl. Ref. #2, 11, 16, & 17) ●

● * Not Illustrated

■ à Not Serviced Separately

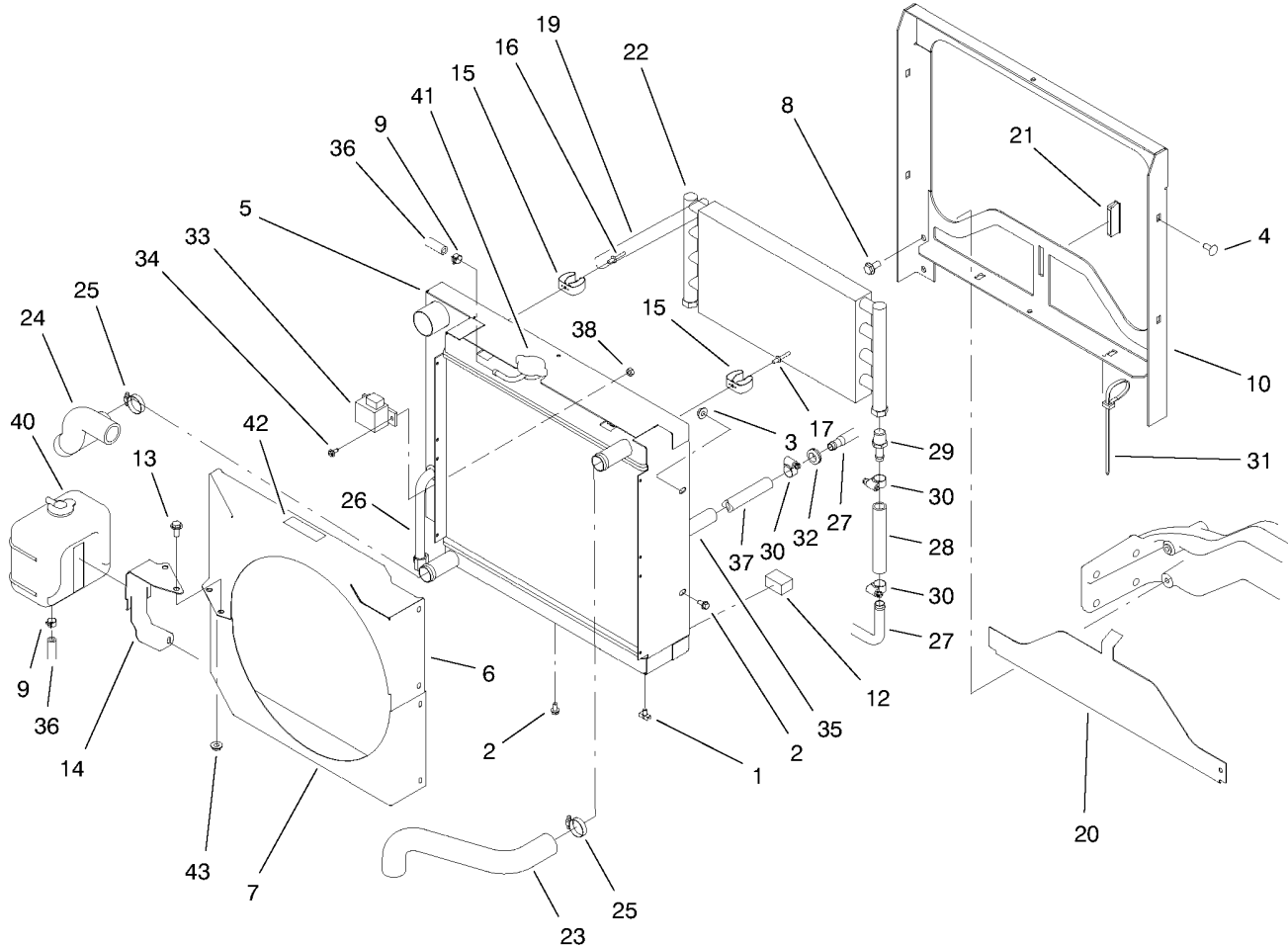


Hydraulic Motor Assembly No. 93-6975

Ref.	Part Number	Qty.	Description
1		2	Plug ■
2		2	O-Ring ■
3		0	Shim ■
4		2	Spring ■
5		2	Ball ■
6		2	Seal-Relief Valve ■
7	94-3605	1	Asm-Backplate/Relief (Incl. Ref. #1-6)
8	94-3601	1	Gear-Idler
9	94-3602	1	Gear-Drive
10	94-3606	1	Key
11	59-8420	2	O-Ring
12	94-3603	1	Body
13	42-2010	2	Pin-Alignment
14	66-5730	1	Asm-Front Plate
15	94-3600	8	Screw-Hex. Socket Hd.
16	59-8320	1	Ring-Retaining
17	66-5710	1	Seal-Oil
18	60-5890	1	Washer-Backup
19	92-9260	1	Asm-Relief Valve (Incl. Ref. #1-5)
*	93-1413	1	Kit-Seal Repair (Incl. Ref. #2, 11, 16, & 17) ●

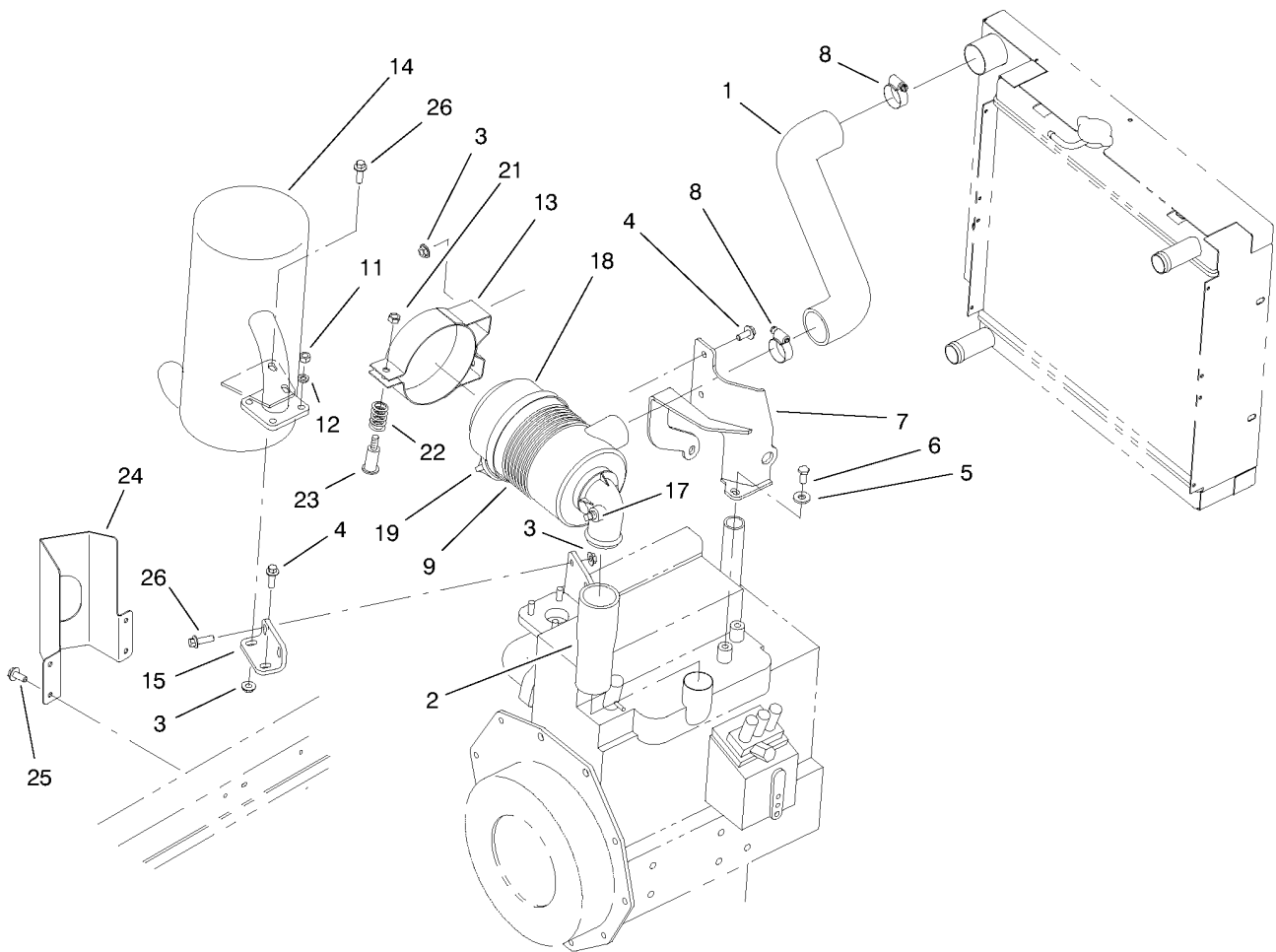
● * Not Illustrated

■ à Not Serviced Separately



Radiator Assembly

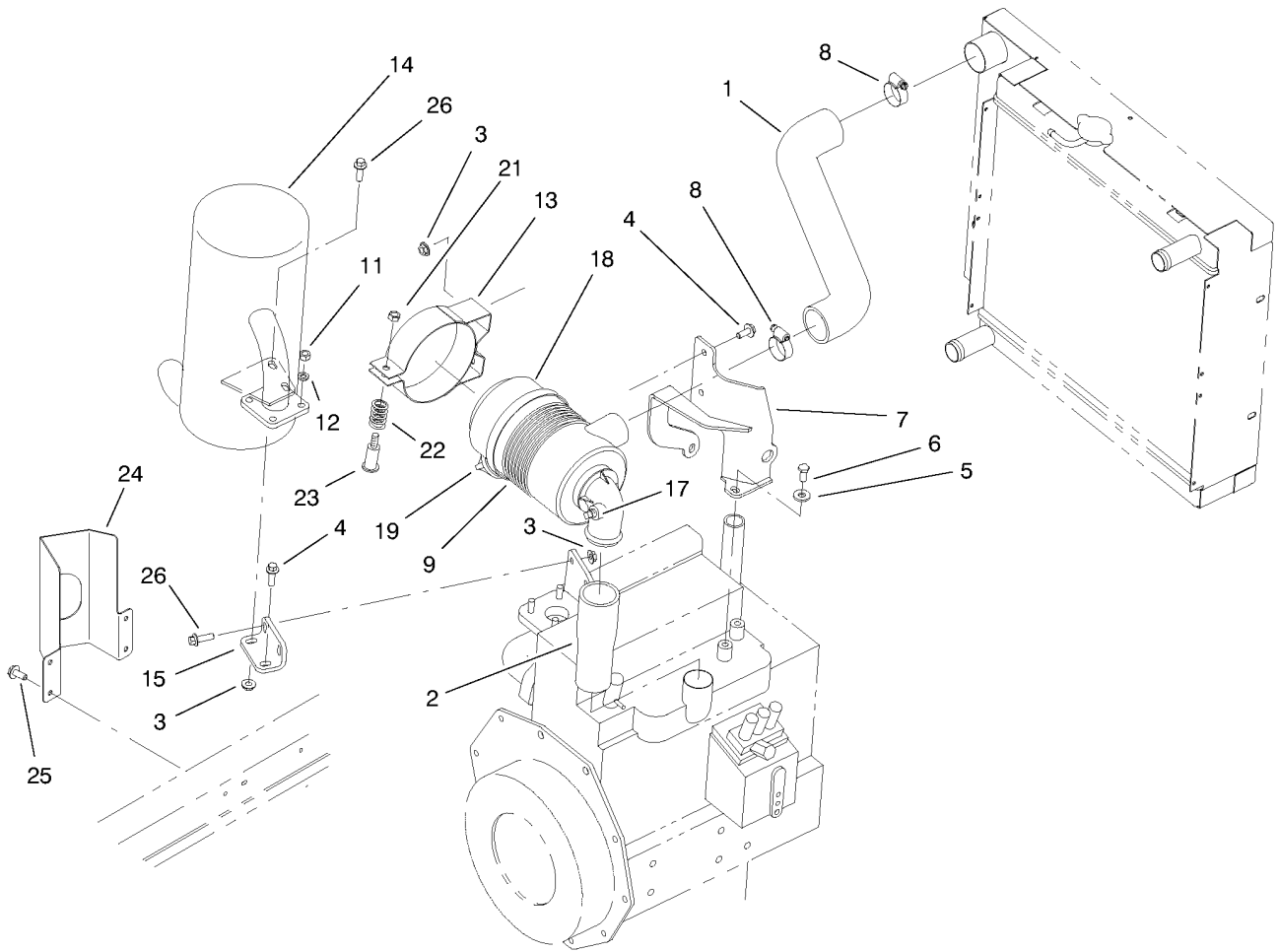
<i>Ref.</i>	<i>Part Number</i>	<i>Qty.</i>	<i>Description</i>	<i>Ref.</i>	<i>Part Number</i>	<i>Qty.</i>	<i>Description</i>
1	304-46	1	Valve-Drain Cock	23	95-8944	1	Hose-Radiator, Upper
2	32104-116	10	Screw-Hfh	24	95-8945	1	Hose-Radiator, Lower
3	32128-44	6	Nut-Hex. Flange	25	2412-34	2	Clamp-Hose
4	3230-1	4	Screw-CARR	26	95-8704	1	Tube-Hydraulic
5	95-8934	1	Radiator (Incl. Ref. #41)	27	95-8705	1	Tube-Hydraulic
6	99-3580	1	Shroud-Fan, Top (Incl. Ref. #42)	28	95-8706	2	Hose-Hydraulic
7	99-3360-03	1	Shroud-Fan	29	95-8710	2	Fitting-Barb
8	3234-1	4	Screw-Hfh	30	2412-36	5	Clamp-Hose
9	92-2379	2	Clamp-Hose	31	3290-378	2	Tie-Cable
10	100-4903-03	1	Frame Assembly-Radiator	32	99-3481	2	Grommet
12	95-8962	2	Seal-Radiator	33	66-8800	1	Relay-Glow Plug
13	3234-5	2	Screw-Hfh	34	32105-13	2	Screw-Thread Form
14	95-8879-03	1	Bracket-Reservoir	35	56-7985	1	Sleeve
15	95-8939	2	Spring-Clip	36	63-7623	1	Hose
16	3269-22	1	Rivet-Pop	37	99-3500	1	Hose
17	3269-23	1	Rivet-Pop	38	3296-2	2	Nut-Lock NI
19	99-3390	1	Lanyard	40	98-9323	1	Reservoir
20	95-8702-03	1	Frame-Screen, Lower	41	93-5957	1	Cap-Radiator
21	99-3497	1	Catch-Magnetic	42	93-6681	1	Decal-Warning, Fan
22	75-1040	1	Cooler-Oil	43	32128-20	2	Nut-Hex. Flange



Muffler And Air Cleaner Assembly

Ref.	Part Number	Qty.	Description
1	95-8946	1	Hose-Air Inlet, Upper
2	95-8947	1	Hose-Air Inlet, Lower
3	32128-44	6	Nut-Hex. Flange
4	3234-5	3	Screw-Hfh
5	3256-23	2	Washer-Plain
6	33114-016	2	Screw-HH
7	99-3355-03	1	Bracket Assembly-Air Filter
8	2412-92	4	Clamp-Hose
9	93-2190	1	Air Cleaner Assembly (Incl. Ref. #17-20)
11	33014-00	4	Nut-Hex.
12	42-9850	4	Washer-Lock
13	93-2191	1	Mounting Band Assembly (Incl. Ref. #21-23)
14	95-8942	1	Muffler
15	95-8943-03	1	Bracket-Muffler
17	285-17	1	Plug
18	94-3652	1	Cover Assembly
19	94-1414	1	Valve
*20	93-2195	1	Element-Air Cleaner ●
21	48-9510	1	Nut-Lock
22	94-3654	1	Spring-Compression
23	94-3653	1	Bolt
24	99-3425-03	1	Guard-Exhaust (Europe)

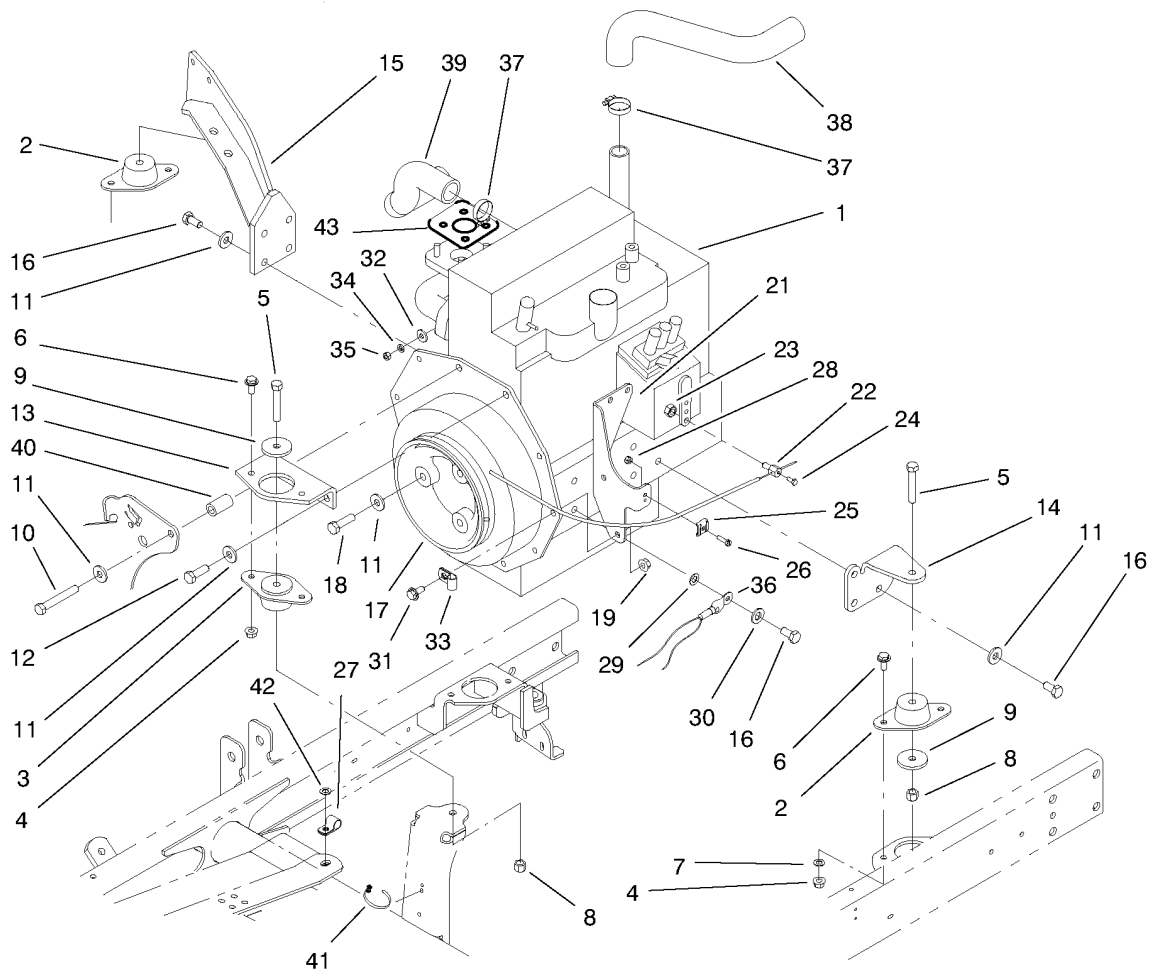
● * Not Illustrated



Muffler And Air Cleaner Assembly (continued)

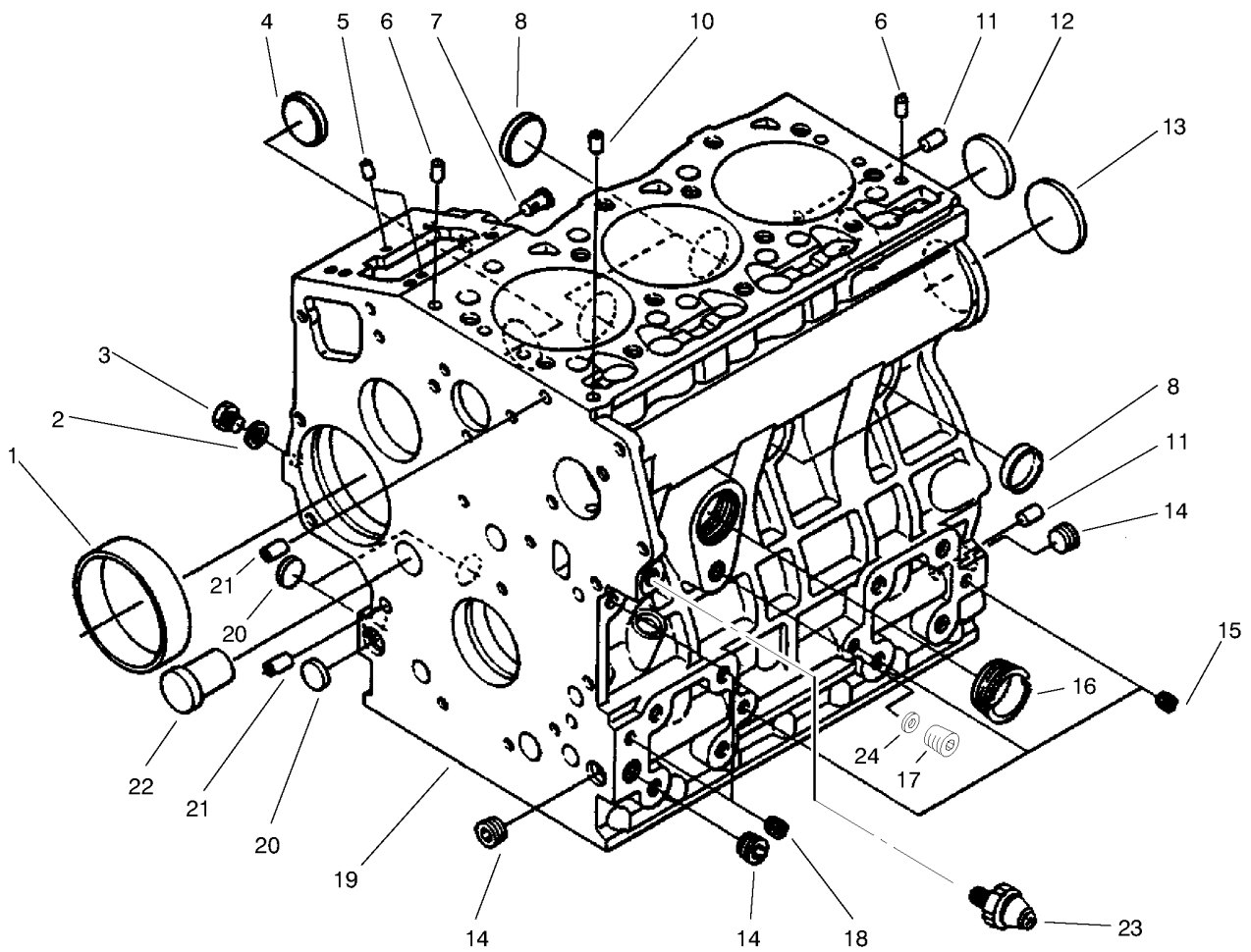
<i>Ref.</i>	<i>Part Number</i>	<i>Qty.</i>	<i>Description</i>
25	32144-4	4	Screw-HWH (Europe)
26	3234-17	3	Screw-Hfh

● * Not Illustrated



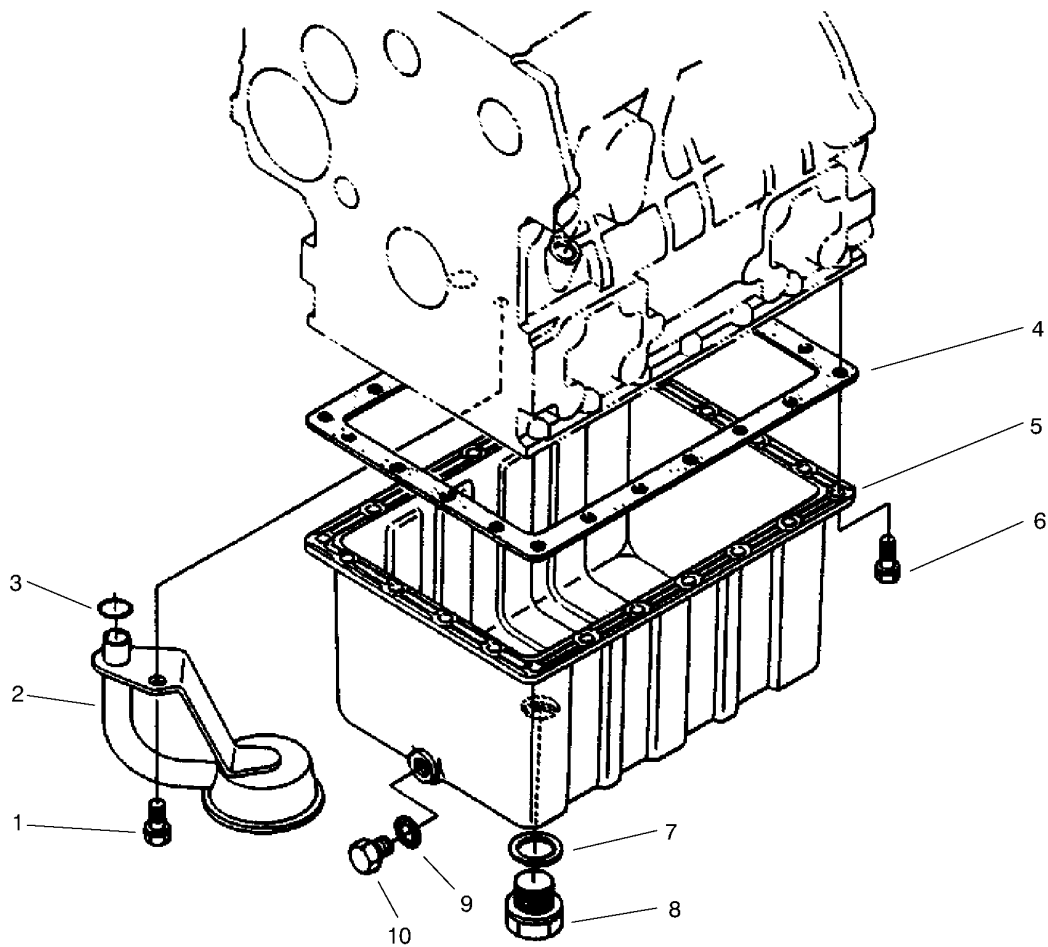
Engine Assembly

<i>Ref.</i>	<i>Part Number</i>	<i>Qty.</i>	<i>Description</i>	<i>Ref.</i>	<i>Part Number</i>	<i>Qty.</i>	<i>Description</i>
1	95-8912	1	Engine-Kubota D1105	23	3296-20	1	Nut-Lock NI
2	83-1030	2	Mount-Engine	24	25-8640	1	Screw-SHH
3	93-5265	1	Mount-Engine	25	81-1690	1	Clamp-Throttle Cable
4	32128-20	6	Nut-Hex. Flange	26	32105-13	1	Screw-HH
5	323-11	3	Screw-HH	27	2412-112	1	Clamp-R
6	3234-5	6	Screw-Hfh	28	3296-2	1	Nut-Lock NI
7	3255-8	1	Washer-Lock, External	29	3255-9	1	Washer-Lock
8	3296-39	3	Nut-Lock NI	30	3256-25	1	Washer-Flat
9	80-8560	3	Washer	31	3234-17	2	Screw-Hfh
10	42-9370	1	Screw-Machine	32	3256-78	1	Washer-Flat
11	80-6990	12	Washer-Hardened	33	2412-10	1	Clamp-R
12	95-8812	1	Screw-HH	34	43-5930	1	Washer-Lock
13	95-8926-03	1	Mount-Engine, Front	35	48-7890	1	Nut-Hex.
14	95-8937-03	1	Mount-Engine, LH	36	99-3441	1	Harness-Wire
15	95-8919-03	1	Mount Assembly-Engine	37	2412-34	2	Clamp-Hose
16	63-7790	8	Screw-HH	38	95-8944	1	Hose-Radiator, Upper
17	99-3412-03	1	Pulley	39	95-8945	1	Hose-Radiator, Lower
18	56-2140	3	Screw-HH	40	95-8736	1	Spacer
19	32128-44	2	Nut-Hex. Flange	41	3290-378	1	Tie-Cable
21	99-3354-03	1	Support-Throttle, Filter	42	3256-24	1	Washer-Flat
22	98-9311	1	Swivel-Throttle Cable	43	98-9611	1	Gasket



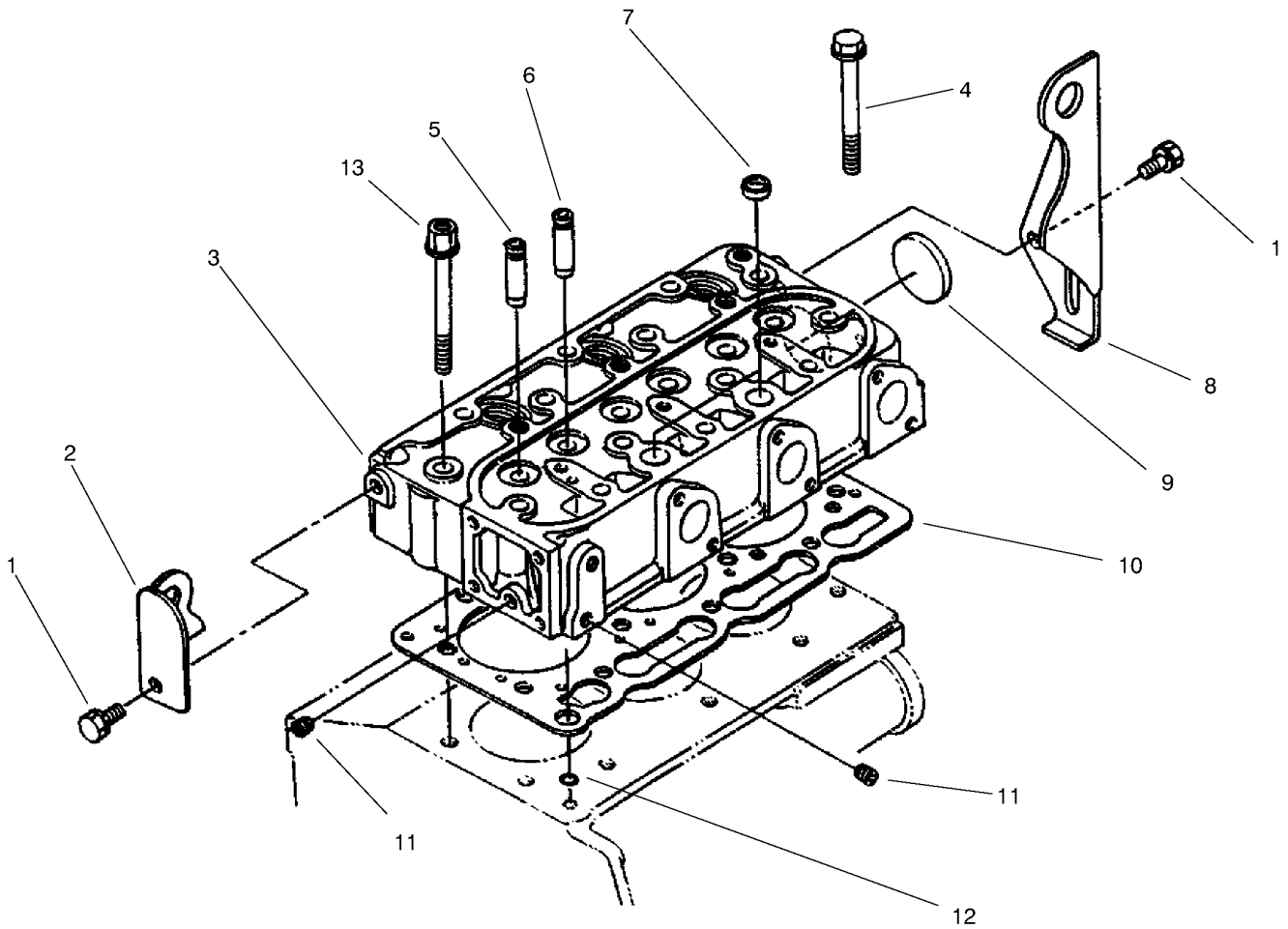
Crankcase Assembly

<i>Ref.</i>	<i>Part Number</i>	<i>Qty.</i>	<i>Description</i>
1	98-9656	1	Bushing-Governor, Gear
2	98-7428	1	Gasket
3	98-7507	1	Plug
4	98-9599	1	Plug
5	98-9375	2	Pin-Straight
6	98-9376	2	Pin-Straight
7	98-9630	1	Pin-Start Spring
8	98-9398	4	Cap-Sealing
10	98-9539	1	Pin-Pipe
11	98-9377	2	Pin-Straight
12	98-7540	1	Plug
13	98-9668	1	Plug-Expansion
14	98-9597	3	Plug
15	98-7539	3	Cap-Sealing
16	98-9667	1	Plug
17	99-3447	1	Plug-Pipe
18	98-7487	2	Plug
19	98-9604	1	Asm-Crankcase (Incl. Ref. #1-8, 10-16, 18 & 20-22)
20	98-9379	3	Plug-Expansion
21	98-9387	2	Pin-Pipe
22	98-9675	1	Plug
23	98-9416	1	Switch
24	99-3445	1	Gasket



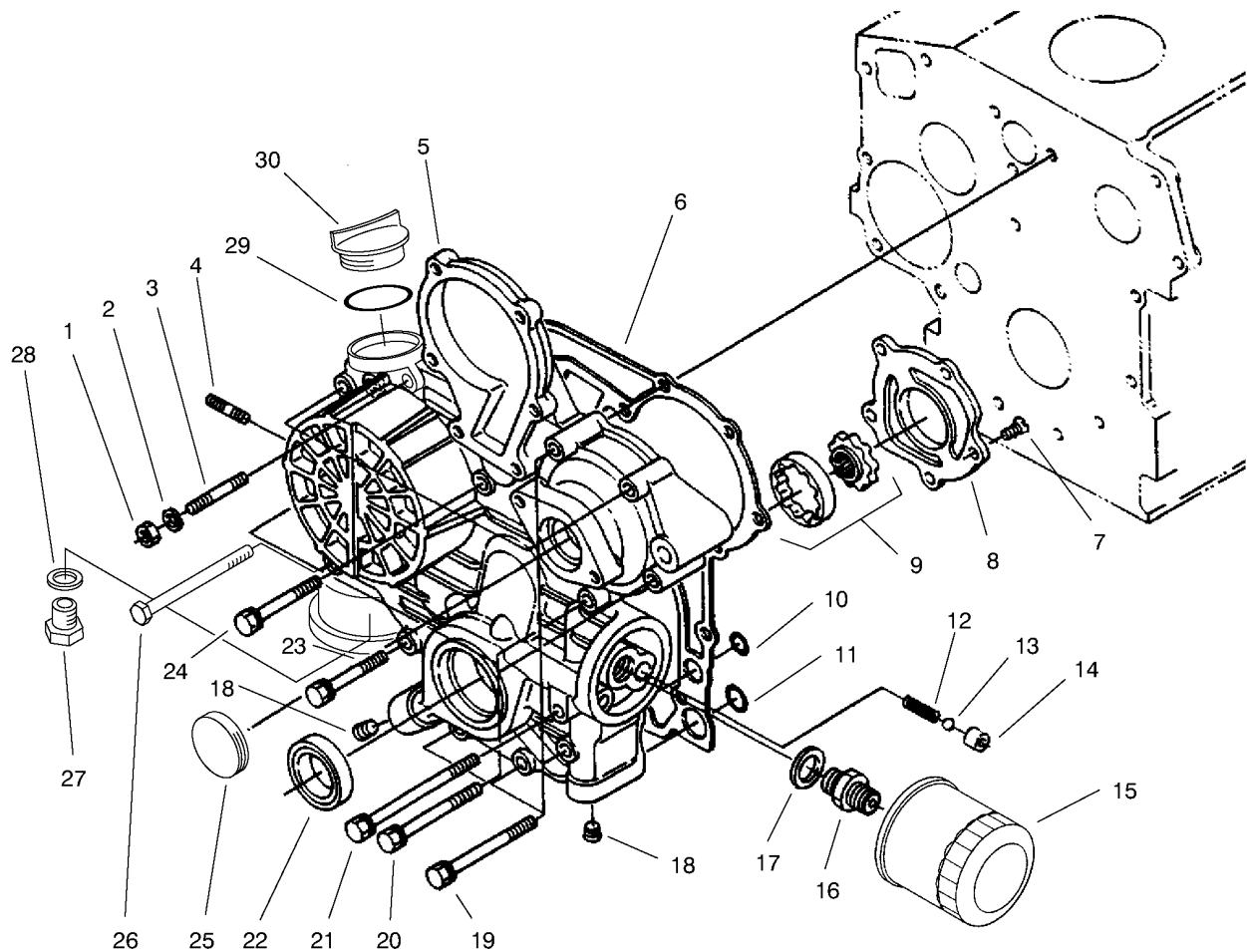
Oil Pan Assembly

<i>Ref.</i>	<i>Part Number</i>	<i>Qty.</i>	<i>Description</i>
1	98-9358	1	Bolt
2	98-9538	1	Filter-Oil
3	98-7527	1	O-Ring
4	98-9646	1	Gasket-Oil Pan
5	98-9685	1	Oil Pan
6	98-9350	22	Bolt
7	98-9399	1	Gasket
8	98-7523	1	Plug-Drain
9	98-7524	1	Gasket
10	98-9386	1	Plug



Cylinder Head Assembly

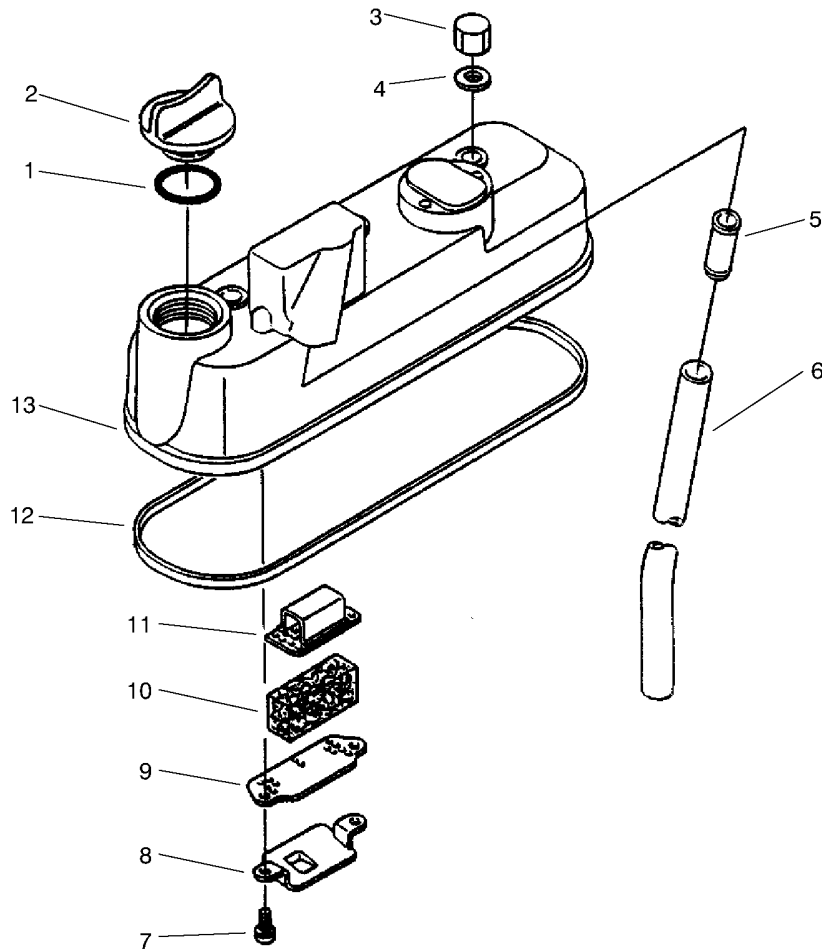
<i>Ref.</i>	<i>Part Number</i>	<i>Qty.</i>	<i>Description</i>
1	98-7585	2	Bolt
2	98-9477	1	Hook-Engine
3	99-8344	1	Asm-Cylinder Head (Incl. Ref. #5-7, 9 &11)
4	98-9479	12	Bolt-Cylinder Head
5	98-9499	3	Guide-Inlet Valve
6	98-9500	3	Guide-Exhaust Valve
7	98-9389	2	Cap-Sealing
8	98-9478	1	Hook-Engine
9	98-9395	1	*obs* Cap-Sealing
10	98-9613	1	Gasket-Cylinder Head
11	98-7540	2	Plug
12	98-7509	1	O-Ring
13	98-9647	2	Bolt-Cylinder Head



Gear Case and Oil Filter Assembly

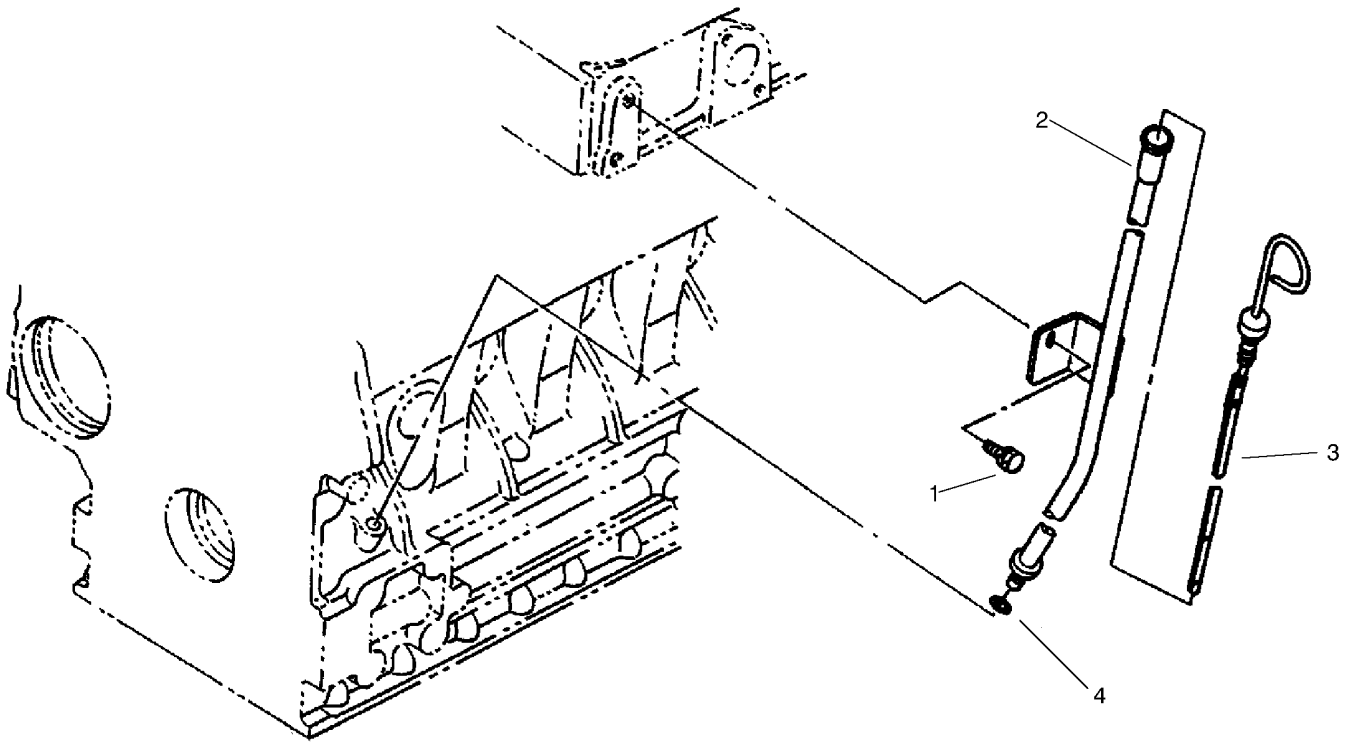
<i>Ref.</i>	<i>Part Number</i>	<i>Qty.</i>	<i>Description</i>
1	98-7572	1	Nut
2	98-9367	1	Washer-Lock
3	98-9363	1	Stud
4	98-9362	2	Stud
5	99-3462	1	Asm-Case, Gear (Incl. Ref. #7-9, 12-14 & 16-18)
6	98-9633	1	Gasket-Gear Case
7	98-9592	5	Screw
8	98-9541	1	Cover-Oil Pump
9	98-9540	1	Asm-Rotor, Oil Pump
10	98-9372	2	O-Ring
11	98-7547	2	O-Ring
12	98-9544	1	Spring
13	98-9380	1	Ball
14	98-9543	1	Seal-Valve
15	99-8384	1	Asm-Cartridge, Oil

<i>Ref.</i>	<i>Part Number</i>	<i>Qty.</i>	<i>Description</i>
16	98-9388	1	Joint-Pipe
17	98-7562	1	Washer-Flat
18	98-9598	2	Plug
19	98-9356	2	Bolt
20	98-9355	4	Bolt
21	99-3510	2	Bolt
22	98-9482	1	Seal-Oil
23	98-9437	1	Bolt
24	98-7496	3	Bolt
25	99-3515	1	Plug-Gear Case
26	99-3511	1	Bolt
27	99-3450	1	Plug
28	99-3451	1	Packing-Plug
29	98-7430	1	O-Ring
30	98-9449	1	Plug-Oil Filler



Head Cover Assembly

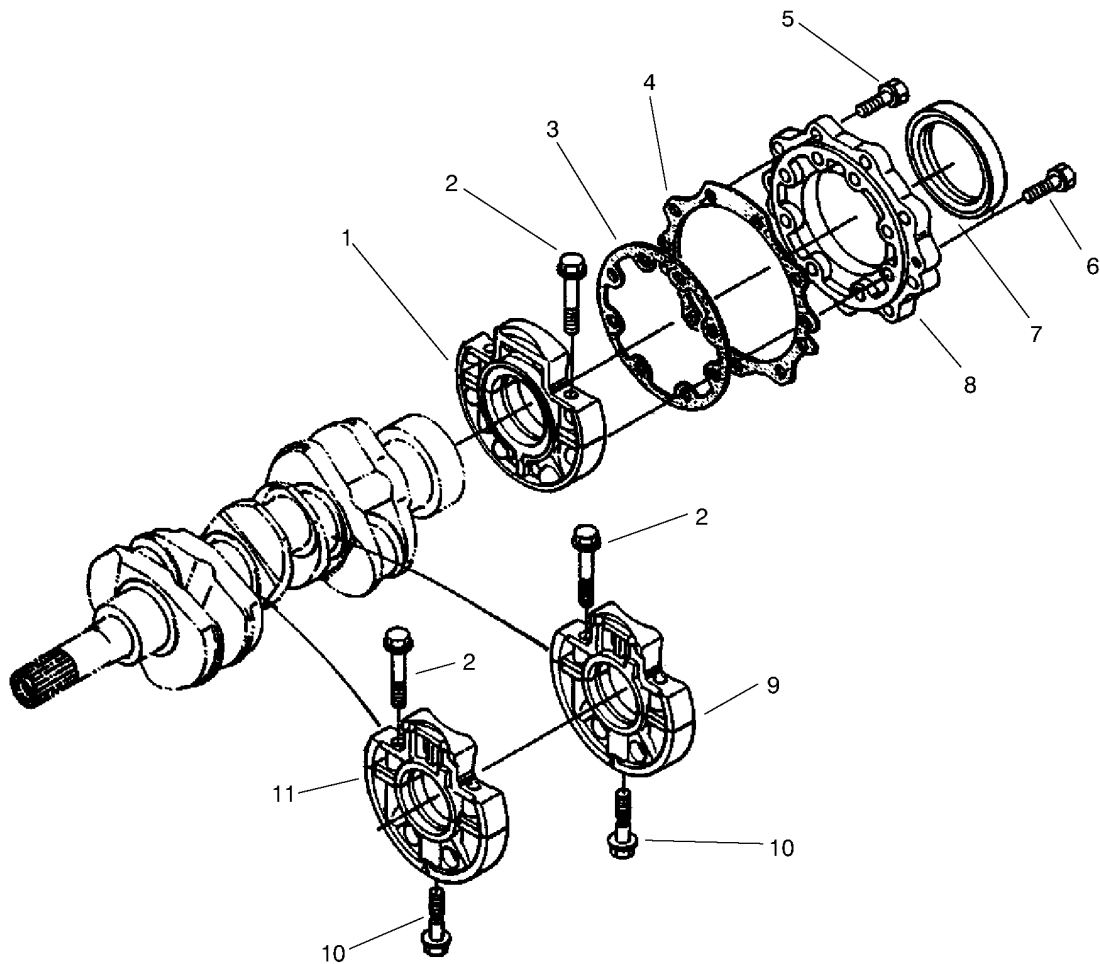
<i>Ref.</i>	<i>Part Number</i>	<i>Qty.</i>	<i>Description</i>
1	98-7430	1	O-Ring
2	98-9449	1	Plug-Oil Filler
3	98-9455	3	Nut-Cap
4	98-9454	3	Gasket
5	98-9492	1	Joint-Breather Pipe
6	98-9491	1	Pipe-Breather
7	98-9364	2	Screw W/Washer
8	98-9490	1	Oil Shield-Breather
9	98-9488	1	Plate-Breather Element
10	98-9493	1	Element-Breather
11	98-9489	1	Plate-Breather Element
12	98-9615	1	Gasket-Head Cover
13	98-9614	1	Asm-Cover, Cylinder Head (Incl. Ref. #5 & 7-12)



Dipstick and Guide Assembly

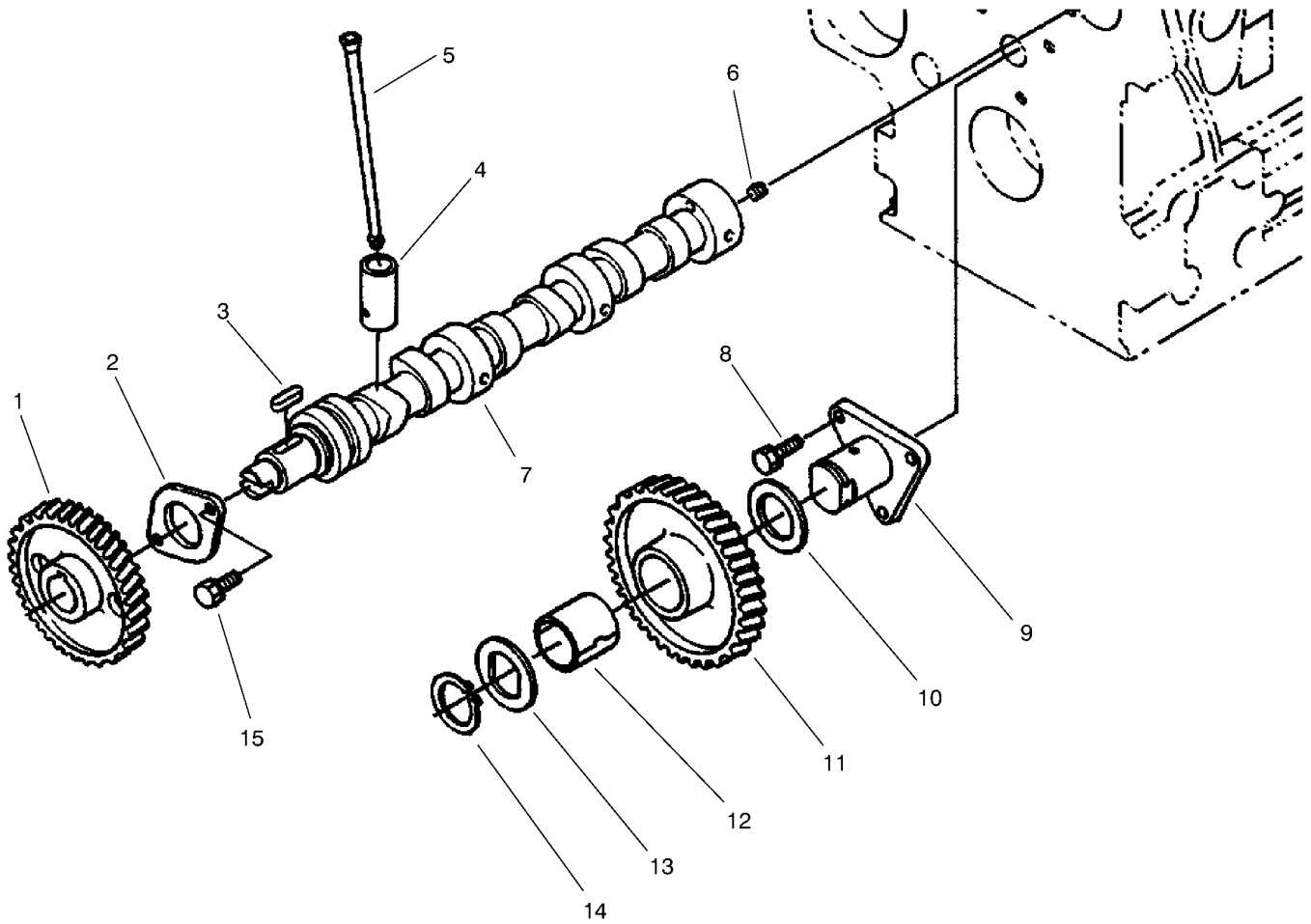
<i>Ref.</i>	<i>Part Number</i>	<i>Qty.</i>	<i>Description</i>
1	98-7585	1	Bolt
2	98-9671	1	Guide-Oil Gauge
3	98-9670	1	Gauge-Oil
4	98-9374	1	*obs* O-Ring
*	98-9672	1	Asm-Guide, Oil Gauge (Incl. Ref. #2 & 4)●

● * Not Illustrated



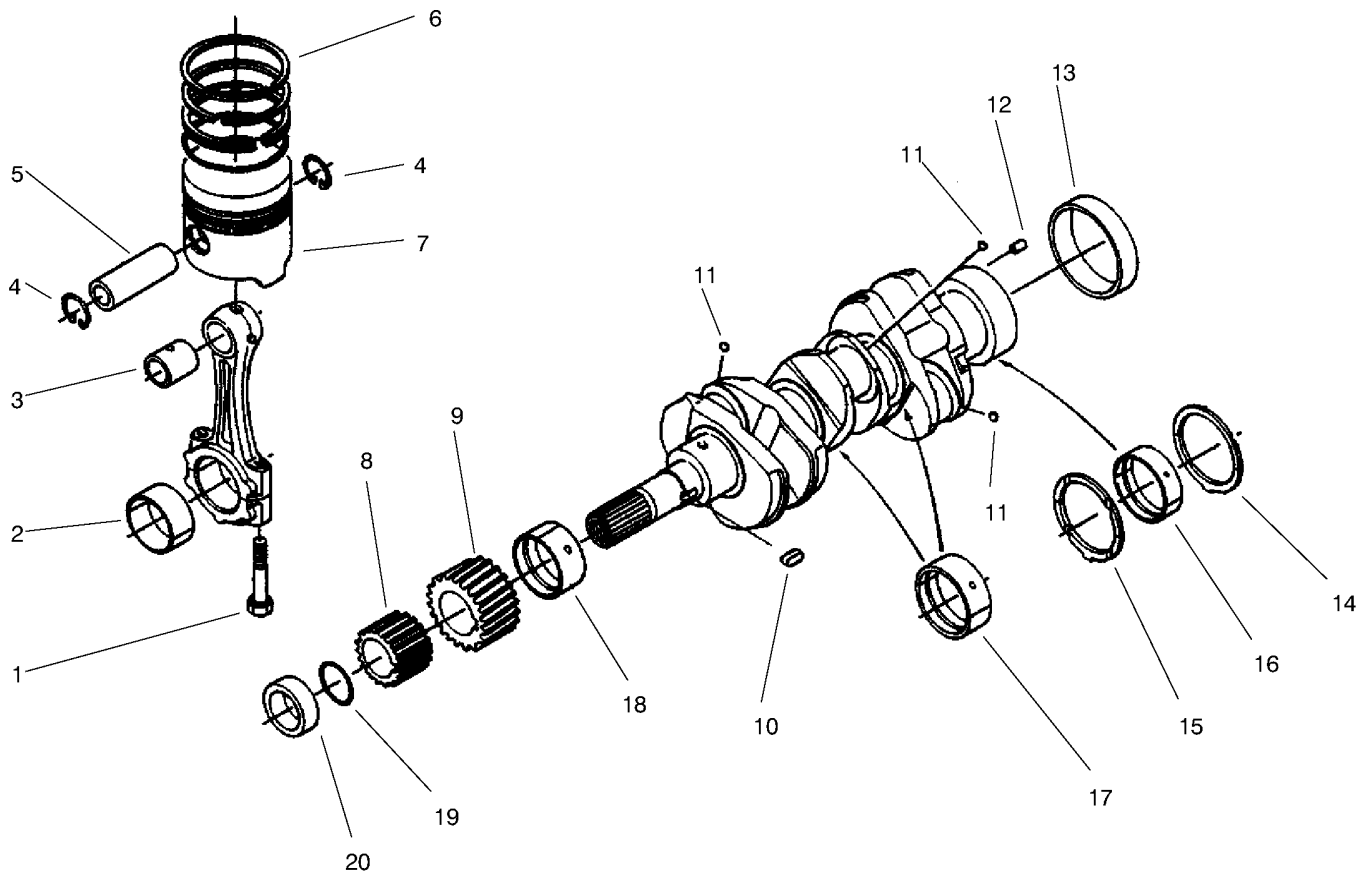
Main Bearing Case Assembly

<i>Ref.</i>	<i>Part Number</i>	<i>Qty.</i>	<i>Description</i>
1	99-8345	1	Asm-Case, Main Bearing
2	98-9484	6	Bolt-Bearing Case
3	98-9634	1	Gasket-Bearing Case
4	98-9635	1	Gasket-Bearing Case Cover
5	98-7568	9	Bolt
6	98-9352	8	Bolt
7	98-9483	1	Seal-Oil
8	98-9487	1	Cover-Bearing Case
9	98-9607	1	Asm-Case, Main Bearing (Incl. Ref. #2 & 10)
10	98-9485	2	Bolt-Bearing Case
11	98-9606	1	Asm-Case, Main Bearing (Incl. Ref. #2 & 10)



Camshaft Assembly

<i>Ref.</i>	<i>Part Number</i>	<i>Qty.</i>	<i>Description</i>
1	98-9512	1	Gear-Cam
2	98-9510	1	Stopper-Camshaft
3	98-9378	1	Key-Feather
4	98-9616	6	Tappet
5	98-9509	6	Push Rod
6	98-7449	1	Screw-Set
7	98-9617	1	Asm-Camshaft (Incl. Ref. #1-3, 6 & 15)
8	98-7692	3	Bolt
9	98-9533	1	Shaft-Gear, Idle
10	98-9535	1	Collar-Gear, Idle
11	98-9649	1	Asm-Gear, Idle (Incl. Ref. #8-14)
12	98-9650	1	Bushing-Gear, Idle
13	98-9536	1	Collar-Gear, Idle
14	98-9534	1	Circlip-Gear, Idle
15	98-9351	2	Bolt

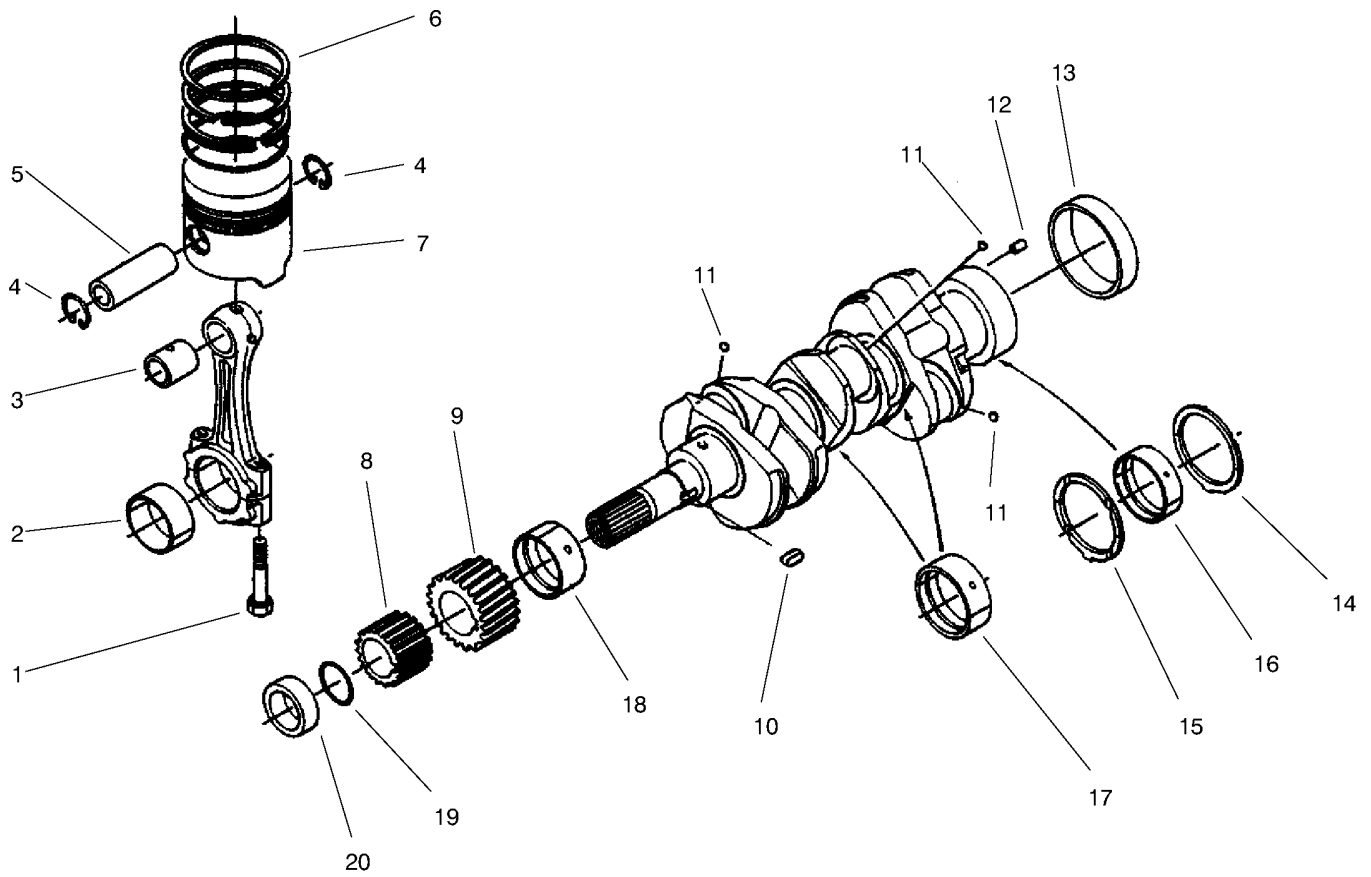


Piston and Crankshaft Assembly

<i>Ref.</i>	<i>Part Number</i>	<i>Qty.</i>	<i>Description</i>
1	98-9517	6	Bolt-Connecting Rod
2	98-9553	3	Metal-Crankpin (Std.)
2	98-9519	3	Metal-Crankpin (0.2Mm Undersize)
2	98-9520	3	Metal-Crankpin (0.4Mm Undersize)
3	98-9515	3	Bushing-Piston Pin
4	98-9514	6	Circlip-Pin, Piston
5	98-9513	3	Pin-Piston
6	98-9618	3	Asm-Piston Ring (Std.)
6	98-9619	3	Asm-Piston Ring (0.5Mm Oversize)
7	98-9550	3	Piston (Std.)
7	98-9470	3	Piston (0.5Mm Oversize)
8	98-9542	1	Gear-Oil Pump Drive
9	98-9532	1	Gear-Crankshaft
10	98-9666	1	Key
11	98-7473	3	Ball
12	98-9375	1	Pin-Straight
13	98-9522	1	Sleeve-Crankshaft
14	98-9413	2	Metal-Side (Std.)
14	98-9414	2	Metal-Side (0.2Mm Oversize)
14	98-9415	2	Metal-Side (0.4Mm Oversize)

<i>Ref.</i>	<i>Part Number</i>	<i>Qty.</i>	<i>Description</i>
15	98-9688	2	Metal-Side (Std.)
15	98-9689	2	Metal-Side (0.2Mm Oversize)
15	98-9690	2	Metal-Side (0.4Mm Oversize)
16	98-9556	1	Metal-Crankshaft (Std)
16	98-9526	1	Metal-Crankshaft (0.2Mm Undersize)
16	98-9527	1	Metal-Crankshaft (0.4Mm Undersize)
17	98-9555	2	Metal-Crankshaft (Std Set)
17	98-9530	2	Metal-Crankshaft (0.2Mm Undersize Set)
17	98-9531	2	Metal-Crankshaft (0.4Mm Undersize Set)
18	98-9554	1	Metal-Crankshaft (Std)
18	98-9528	1	Metal-Crankshaft (0.2Mm Undersize)
18	98-9529	1	Metal-Crankshaft (0.4Mm Undersize)
19	98-9373	1	O-Ring
20	98-9521	1	Collar-Crankshaft

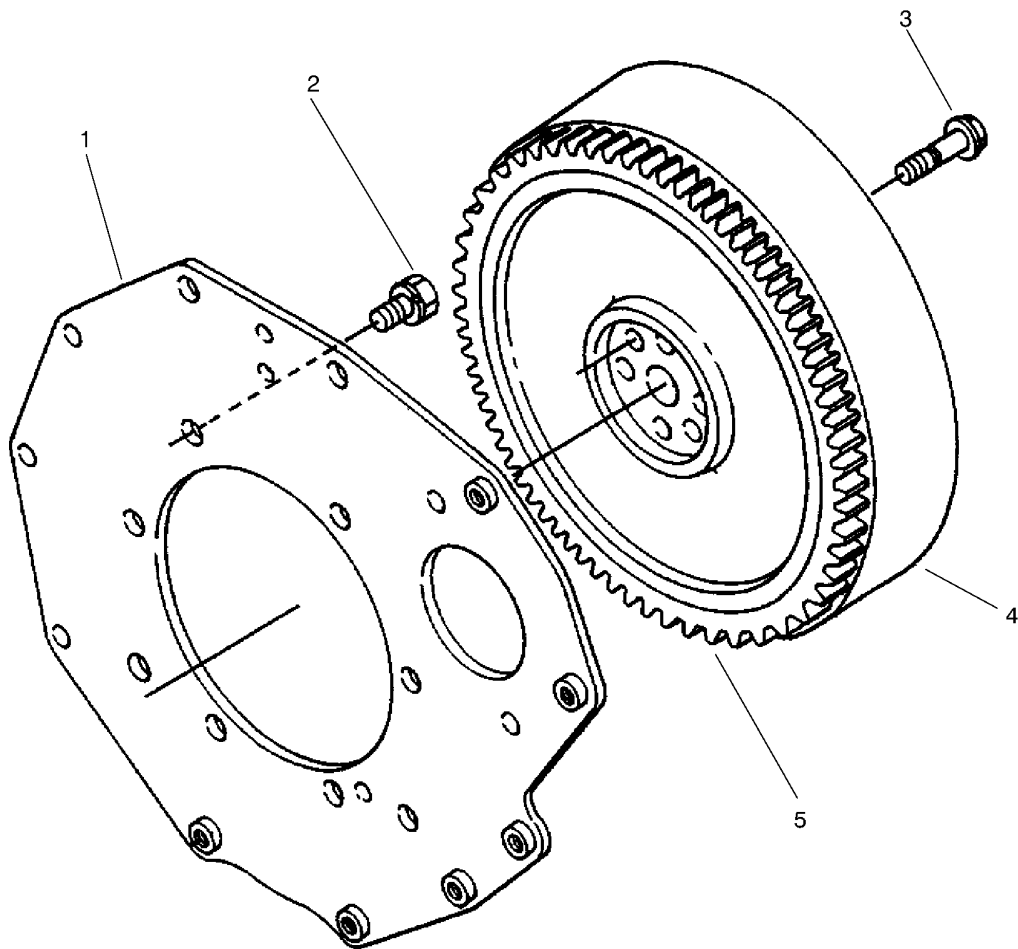
● * Not Illustrated



Piston and Crankshaft Assembly (continued)

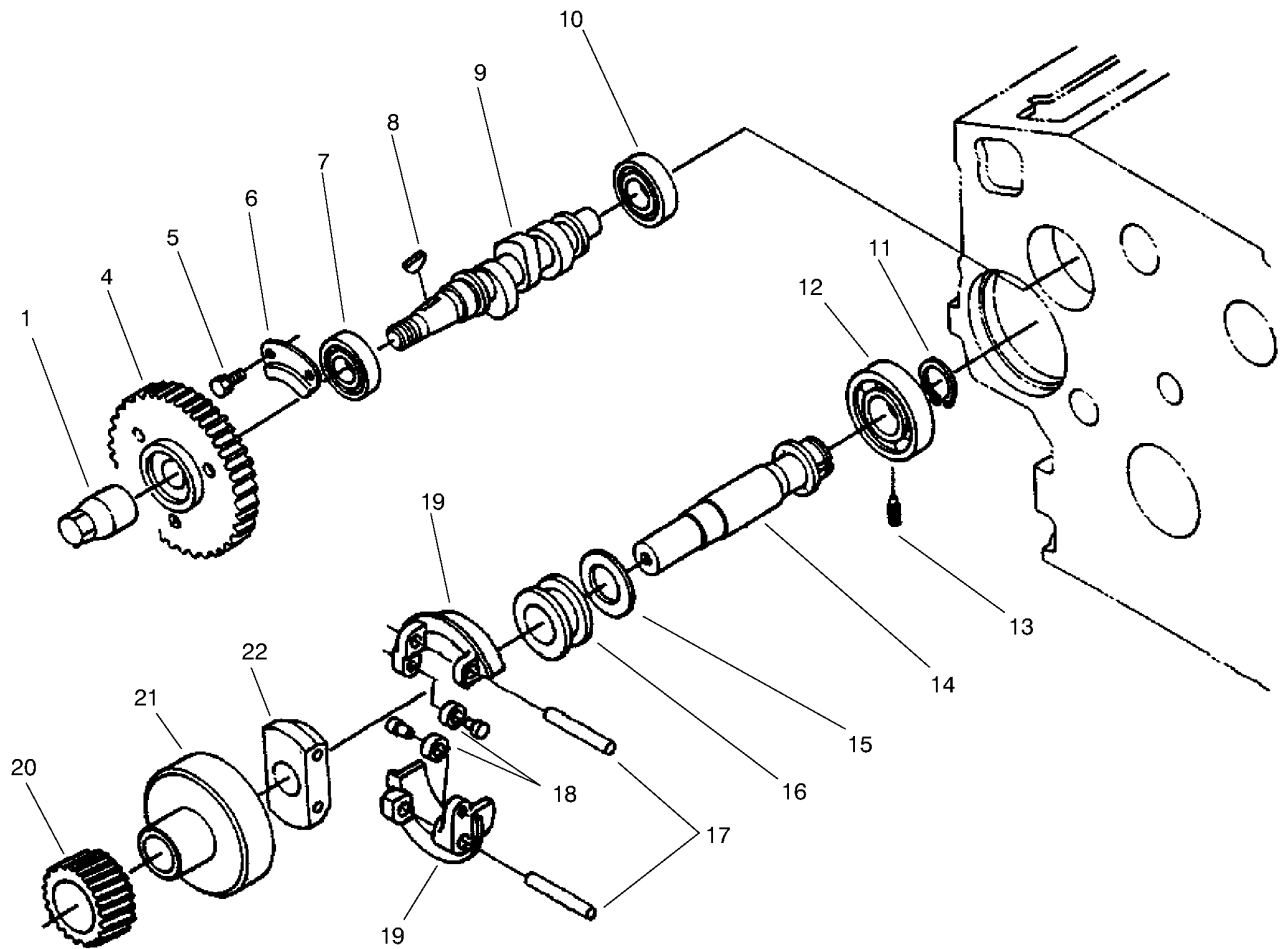
<i>Ref.</i>	<i>Part Number</i>	<i>Qty.</i>	<i>Description</i>
*	98-9552	3	Asm-Rod, Connecting (Incl. Ref. #1-3) ●
*	98-9642	1	Asm-Crankshaft (Incl. Ref. #8-13) ●

● * Not Illustrated



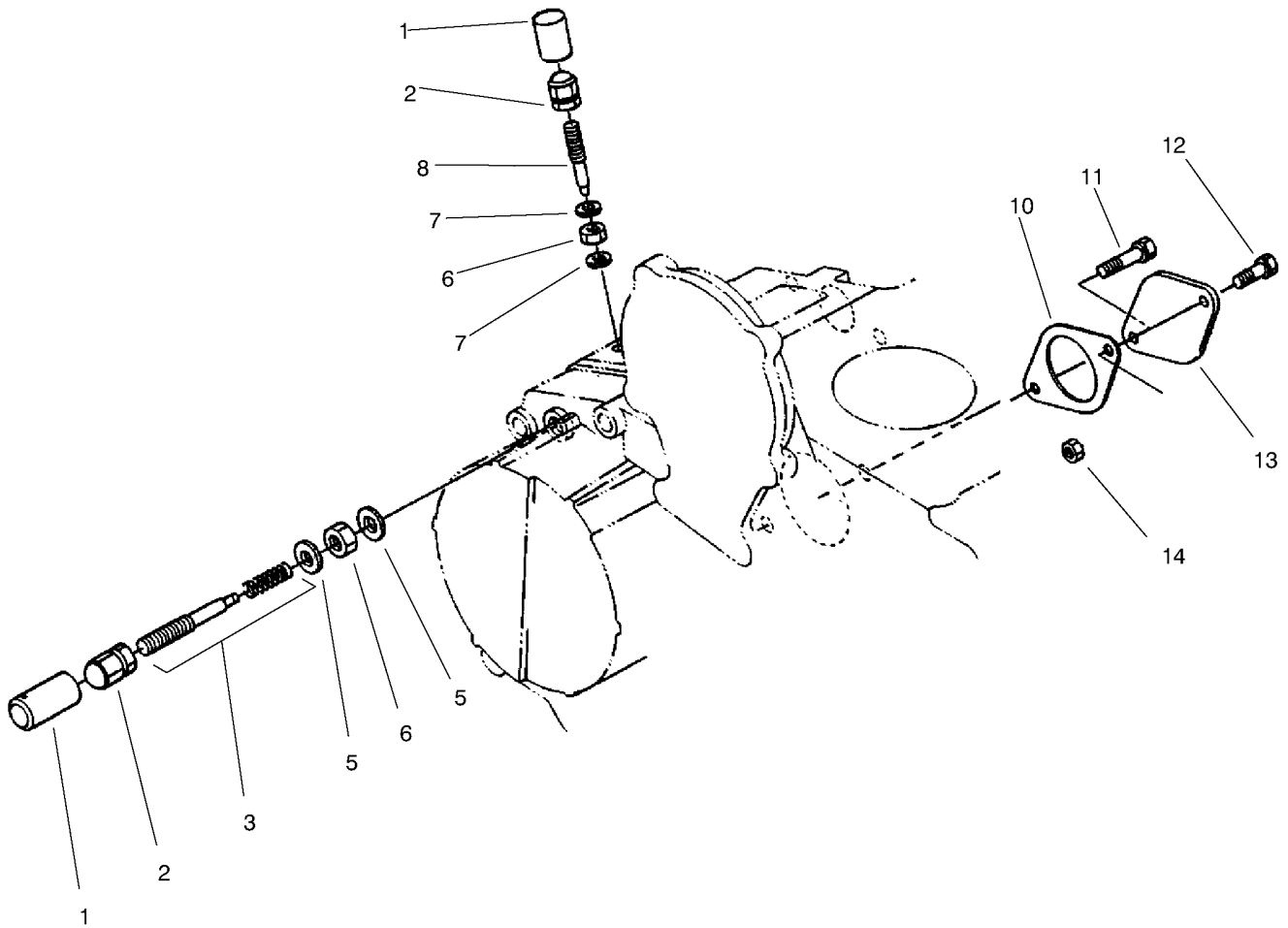
Flywheel Assembly

<i>Ref.</i>	<i>Part Number</i>	<i>Qty.</i>	<i>Description</i>
1	98-9486	1	Plate-End, Rear
2	98-9392	8	Bolt
3	98-9537	6	Bolt-Flywheel
4	98-9691	1	Asm-Flywheel (Incl. Ref. #5)
5	98-9394	1	Gear-Ring



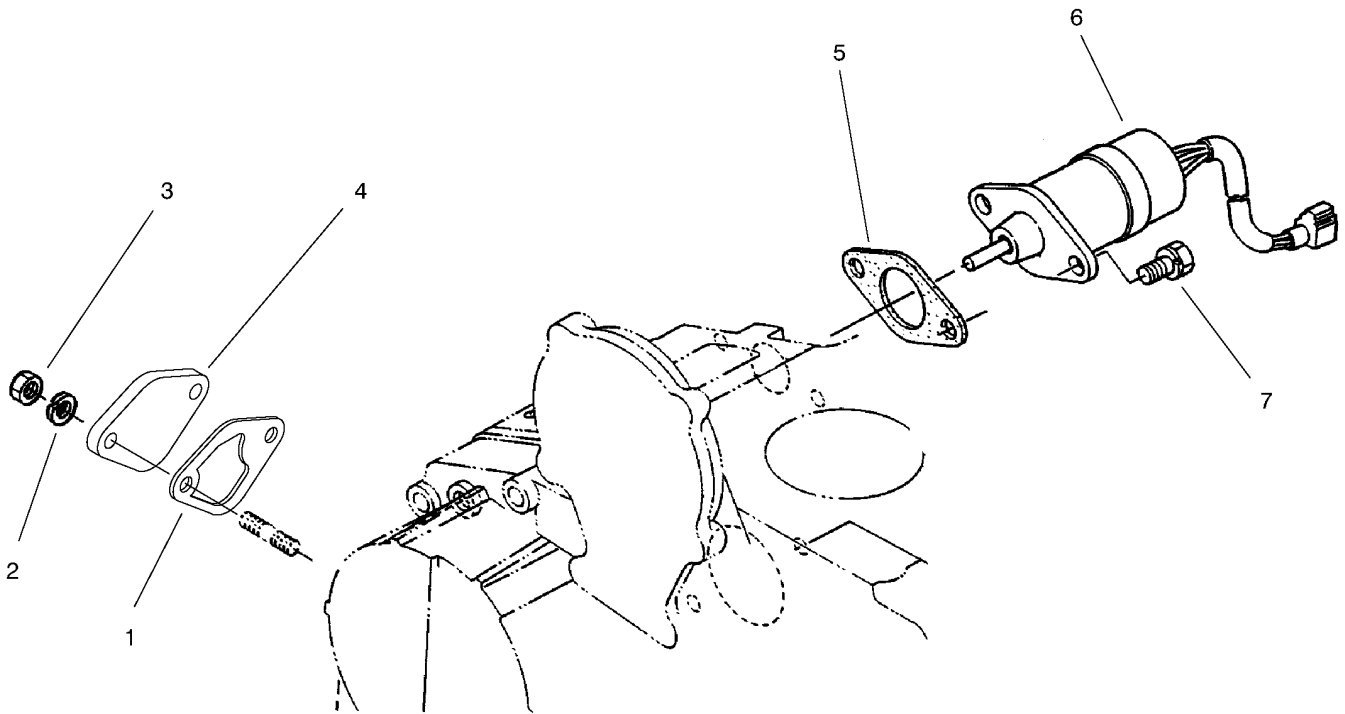
Fuel Camshaft Assembly

Ref.	Part Number	Qty.	Description
1	98-9590	1	Nut-Cap
4	98-9669	1	Gear-Injection Pump
5	98-9350	2	Bolt
6	98-9511	1	Stopper-Fuel, Camshaft
7	98-9383	1	Bearing-Ball
8	98-9595	1	Key-Woodruff
9	98-9459	1	Camshaft-Fuel
10	98-9382	1	Bearing-Ball
11	98-9657	1	Clip-Circular, Gov. Shaft
12	98-9381	1	Bearing-Ball
13	98-9565	1	Screw-Set
14	98-9644	1	Asm-Shaft, Governor (Incl. Ref. #12 & 14-22)
15	98-9564	1	Washer-Thrust
16	98-9563	1	Sleeve-Governor
17	98-9560	2	Shaft-Governor Weight
18	98-9692	2	Roller
19	98-9559	2	Asm-Weight, Governor
20	98-9673	1	Gear-Governor
21	98-9562	1	Holder-Gear, Governor
22	98-9561	1	Holder-Gear, Governor



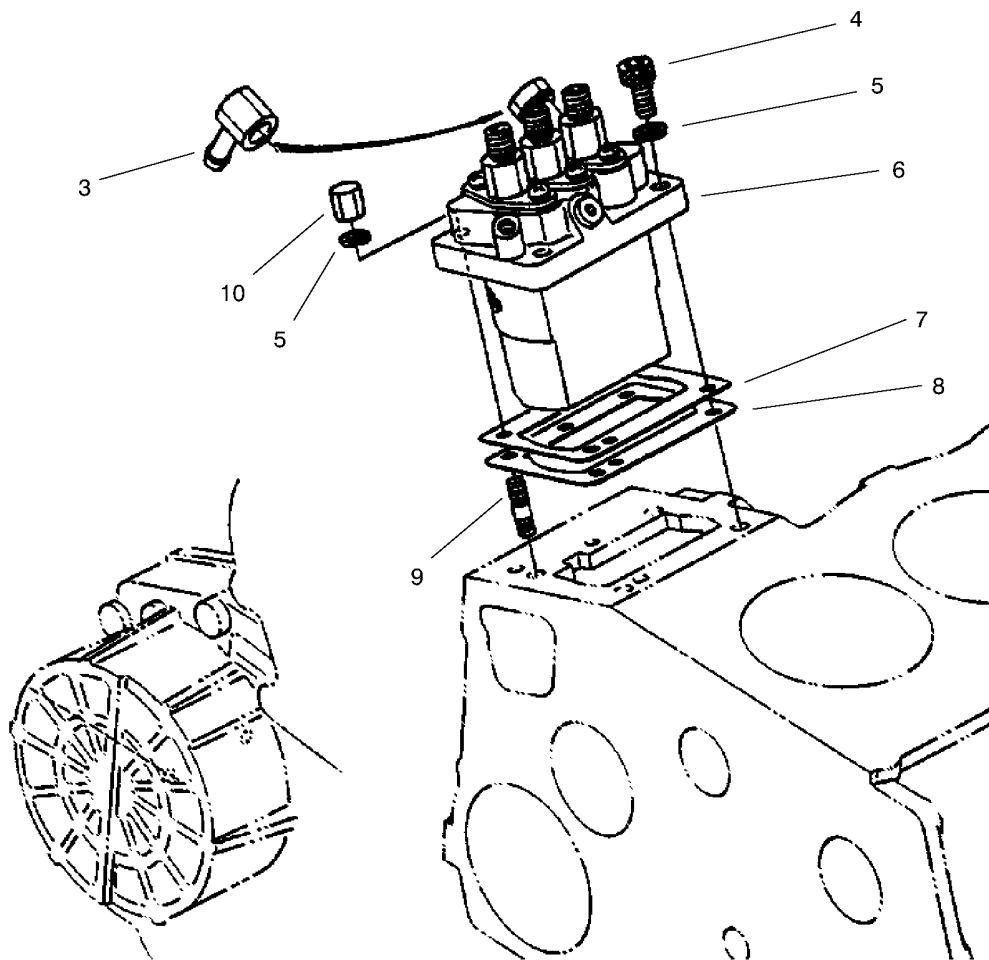
Engine Stop Lever Assembly

<i>Ref.</i>	<i>Part Number</i>	<i>Qty.</i>	<i>Description</i>
1	99-3465	2	Cap
2	98-9441	2	Nut-Cap
3	99-3458	1	Asm-Bolt, Adjusting
5	98-7654	2	Gasket
6	98-9439	2	Nut
7	98-7654	2	Gasket
8	98-9557	1	Bolt-Adjusting
10	98-9674	1	Packing
11	98-7645	1	Bolt
12	98-9359	1	Bolt
13	98-9640	1	Cover-Pump
14	98-7534	1	Nut



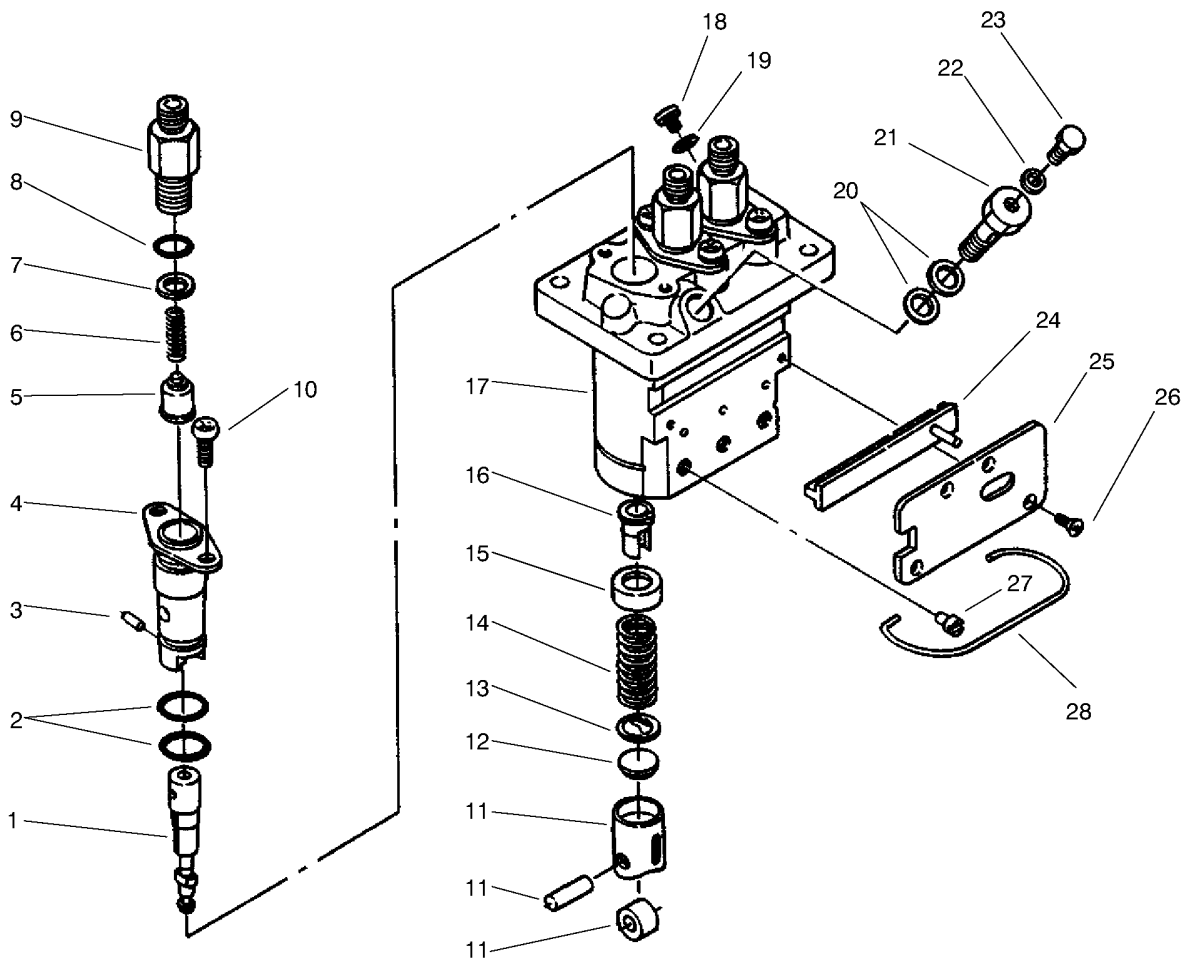
Stop Solenoid and Fuel Pump Assembly

<i>Ref.</i>	<i>Part Number</i>	<i>Qty.</i>	<i>Description</i>
1	98-9636	1	Gasket-Fuel Pump
2	98-9367	2	Washer-Lock
3	98-7572	2	Nut
4	99-3514	1	Cover
5	98-9683	1	Gasket-Solenoid Cover
6	98-9693	1	Solenoid-Stop
7	98-9351	2	Bolt



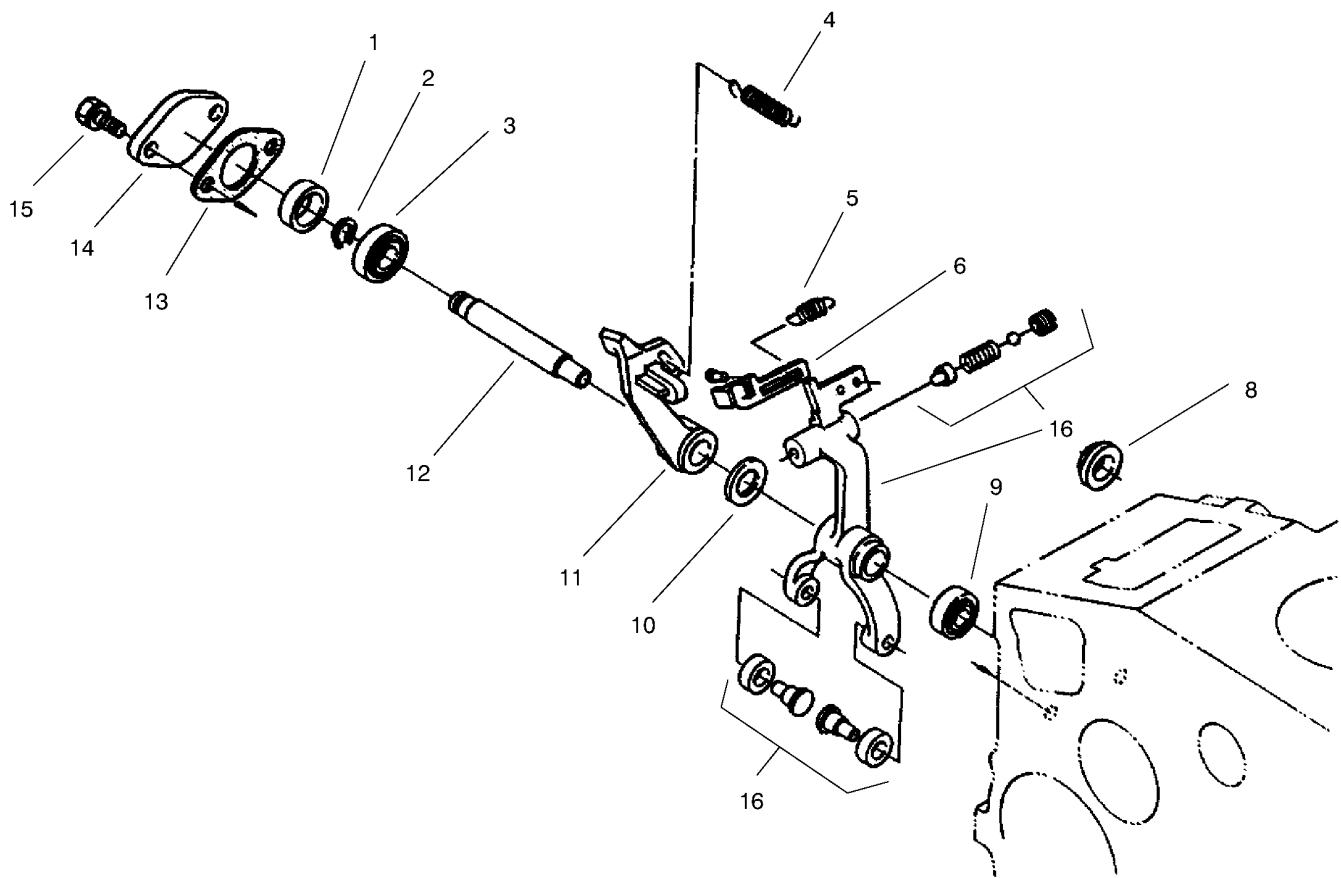
Injection Pump Assembly

<i>Ref.</i>	<i>Part Number</i>	<i>Qty.</i>	<i>Description</i>
3	98-9596	1	Joint-Eye
4	98-9361	2	Bolt
5	98-9367	4	Washer-Lock
6	98-9643	1	Asm-Pump, Injection
7	98-9456	1	Shim-Injection (0.2Mm)
7	98-9457	1	Shim-Injection (0.25Mm)
8	98-9458	1	Shim-Injection (0.30Mm)
9	98-9438	2	Stud
10	98-9440	2	Nut-Cap



Injection Pump Assembly (continued)

<i>Ref.</i>	<i>Part Number</i>	<i>Qty.</i>	<i>Description</i>	<i>Ref.</i>	<i>Part Number</i>	<i>Qty.</i>	<i>Description</i>
1	98-9462	3	Element-Pump	16	98-9432	3	Sleeve-Control
2	98-9423	6	O-Ring	17	98-9643	1	Asm-Pump, Injection (Incl. Ref. #1-16 & 18-28)
3	98-9443	3	Pin-Joint	18	98-9466	1	Plug
4	98-9434	3	Flange-Sleeve	19	98-9451	1	Gasket
5	98-9421	3	Valve-Delivery	20	98-9445	2	Gasket
6	98-9424	3	Spring-Valve, Delivery	21	98-9464	1	Bolt-Joint
7	98-9425	3	Gasket-Valve, Delivery	22	98-9446	1	Gasket
8	98-9447	3	O-Ring	23	98-9430	1	Screw
9	98-9652	3	Holder-Valve, Delivery	24	98-9463	1	Rack-Control
10	98-9452	6	Screw	25	98-9465	1	Plate
11	98-9422	3	Asm-Tappet	26	98-9442	4	Screw-Countersunk Hd.
12	98-9433	3	Shim	27	98-9426	3	Pin-Guide, Tappet
13	98-9429	3	Seat-Spring, Lower	28	98-9450	1	Pin-Clamp
14	98-9428	3	Spring-Plunger				
15	98-9427	3	Seat-Spring, Upper				

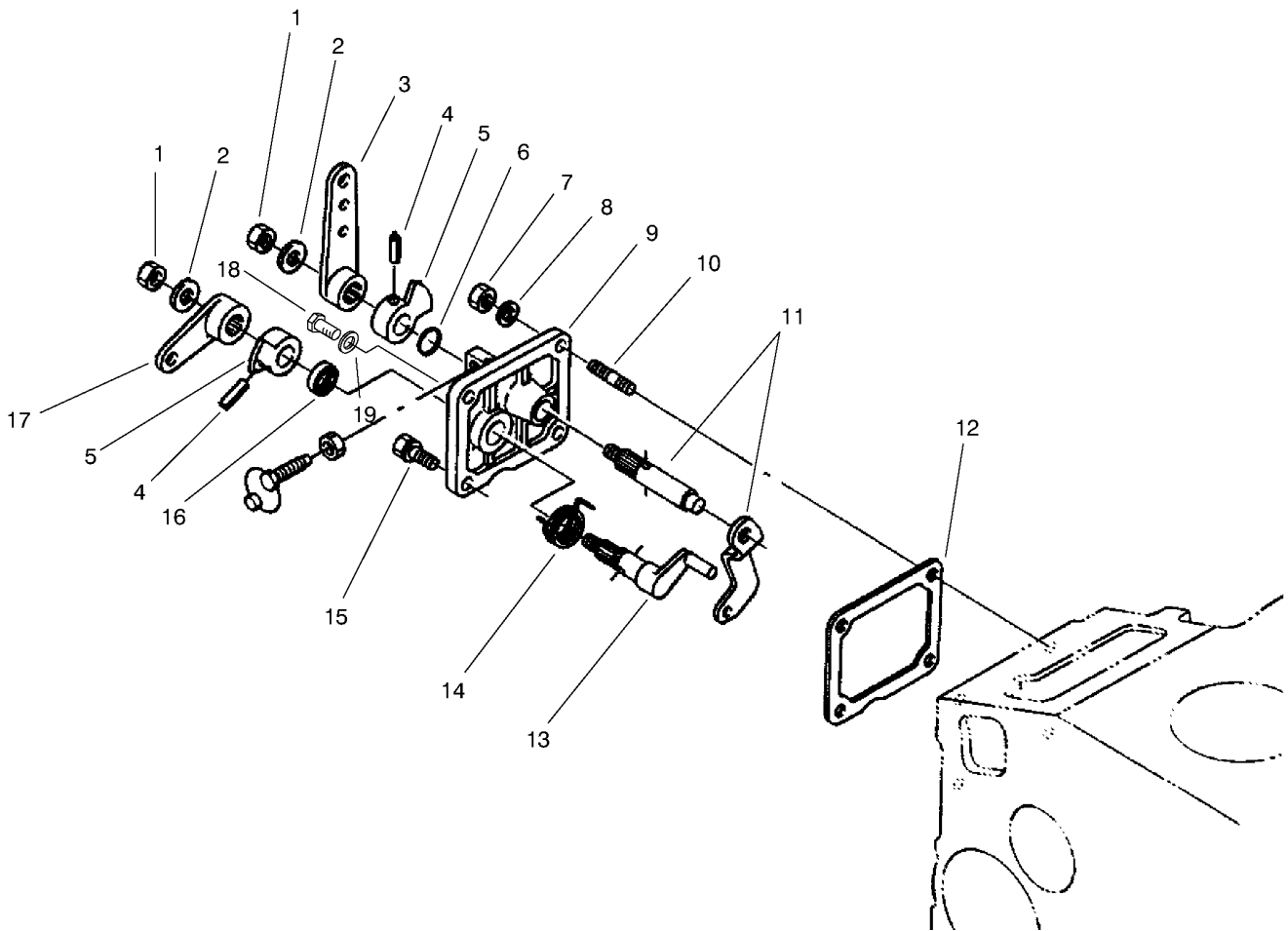


Governor Assembly

Ref.	Part Number	Qty.	Description
1	98-9567	1	Collar
2	98-9369	1	Clip-Circular, External
3	98-9570	1	Bearing-Miniature
4	99-3459	1	Spring-Governor
5	98-9645	1	Spring-Start
6		1	Lever-Thrust ●
8	98-9568	1	Collar
9	98-9571	1	Bearing-Miniature
10	98-9593	1	Washer-Flat
11	98-9659	1	Lever-Fork
12	98-9566	1	Shaft-Lever, Fork
13	98-9682	1	Gasket
14	98-9569	1	Cover-Shaft, Fork Lever
15	98-9351	2	Bolt
16		1	Complete Lever & Fork
*	99-3452	1	Asm-Lever, Fork (Incl. Ref. #2, 3, 6, 10-12 & 16) ■

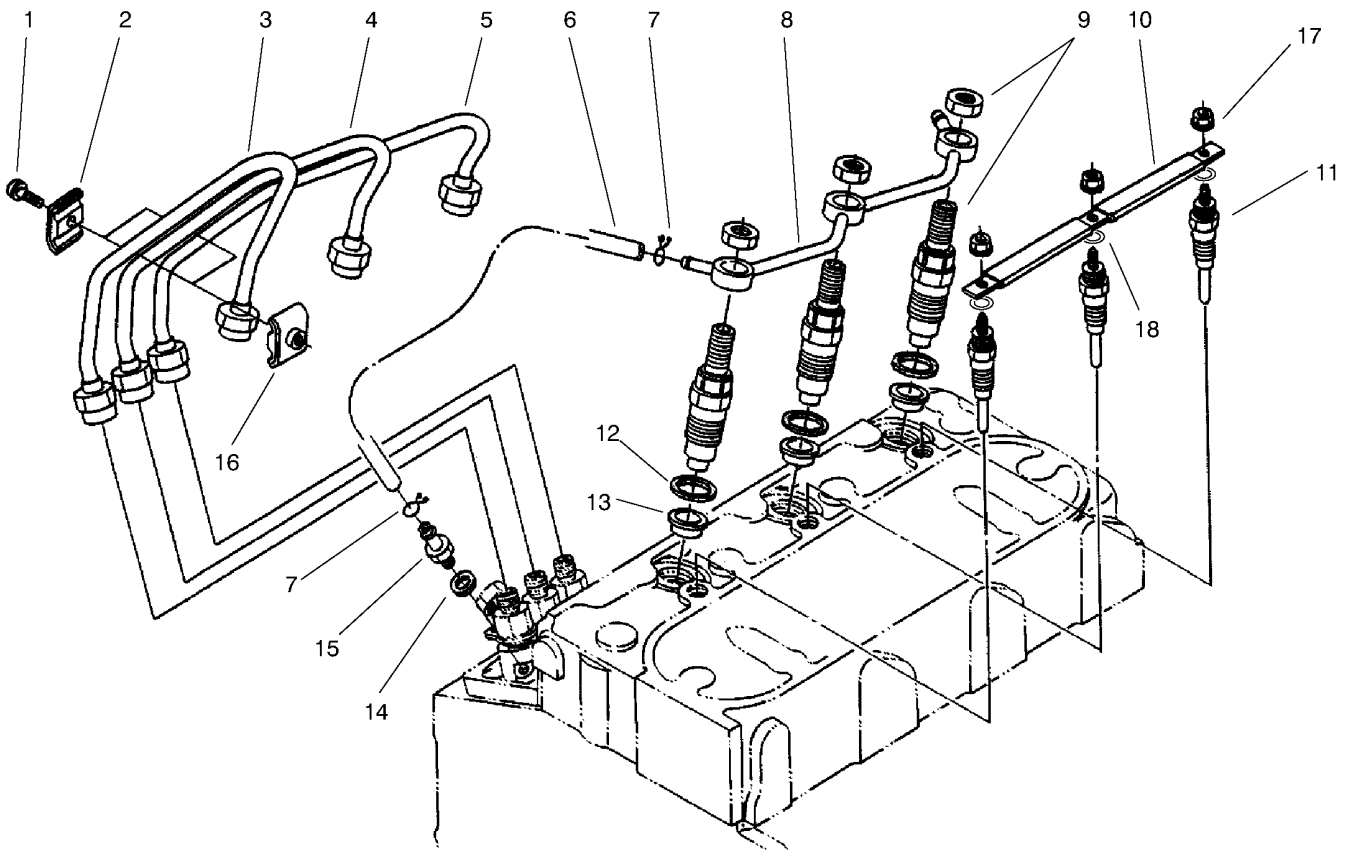
● à Not Serviced

■ * Not Illustrated



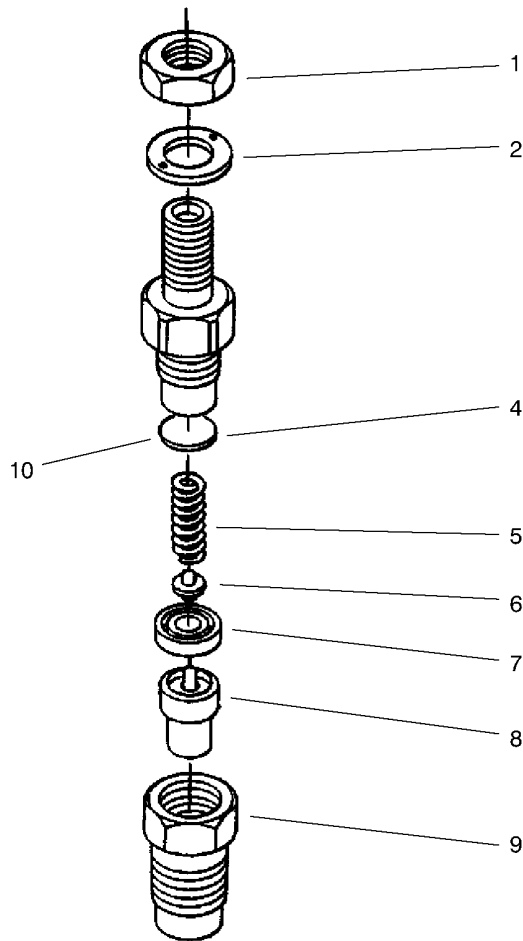
Speed Control Plate Assembly

<i>Ref.</i>	<i>Part Number</i>	<i>Qty.</i>	<i>Description</i>
1	98-9589	2	Nut
2	98-9594	2	Washer-Flat
3	98-9662	1	Lever-Speed Control
4	98-7602	2	Pin-Spring
5	98-9572	2	Lever-Speed Control
6	98-9371	1	O-Ring
7	98-7572	2	Nut
8	98-9367	2	Washer-Lock
9	98-9661	1	Asm-Plate, Control (Incl. Ref. #1-6, 11, 13, 14, 16 &17)
10	98-9362	2	Stud
11	98-9658	1	Asm-Lever, Governor
12	98-9637	1	Gasket
13	98-9664	1	Shaft-Stop Lever
14	98-9472	1	Spring-Return
15	98-7692	1	Bolt
16	98-7601	1	Seal-Oil
17	98-9663	1	Lever-Engine Stop
18	99-8348	1	Bolt
19	98-7654	1	Gasket



Nozzle Holder and Glow Plug Assembly

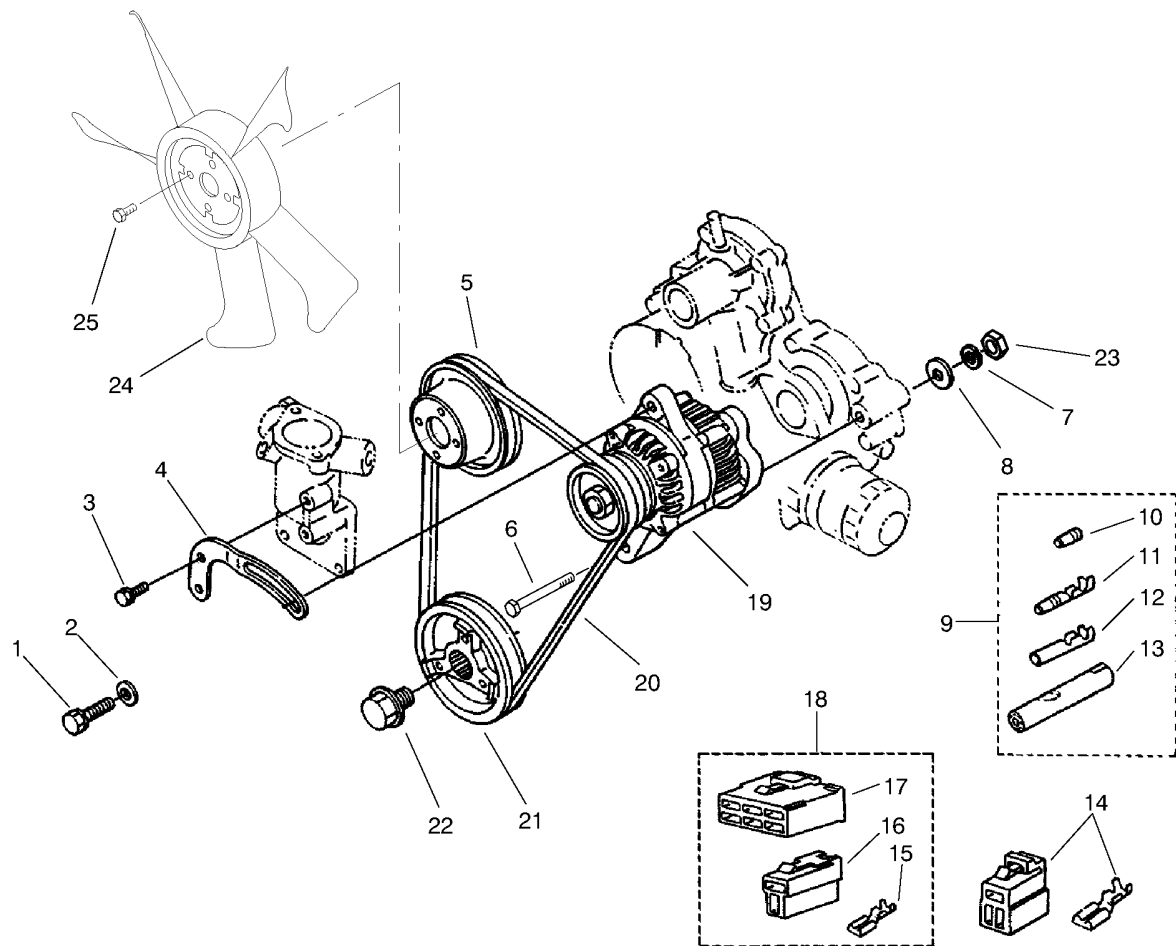
<i>Ref.</i>	<i>Part Number</i>	<i>Qty.</i>	<i>Description</i>
1	98-7684	2	Screw W/Washer
2	98-7683	2	Clamp-Pipe
3	99-3460	1	Pipe-Injection
4	98-9654	1	Pipe-Injection
5	98-9655	1	Pipe-Injection
6	98-9624	1	Asm-Pipe, Overflow (Incl. Ref. #7)
7	98-7671	2	Clip-Pipe
8	98-9621	1	Asm-Pipe, Overflow
9	98-9468	3	Asm-Holder, Nozzle
10	98-9631	1	Cord-Glow Plug
11	98-9623	3	Plug-Glow
12	98-7676	3	Gasket
13	98-9694	3	Seat-Heat
14	98-7654	1	Gasket
15	98-9431	1	Screw-Air Bleed
16	98-7682	2	Clamp-Pipe
17	99-8377	3	Nut-Flange
18	99-8378	3	Washer-Plain



Nozzle Holder Assembly

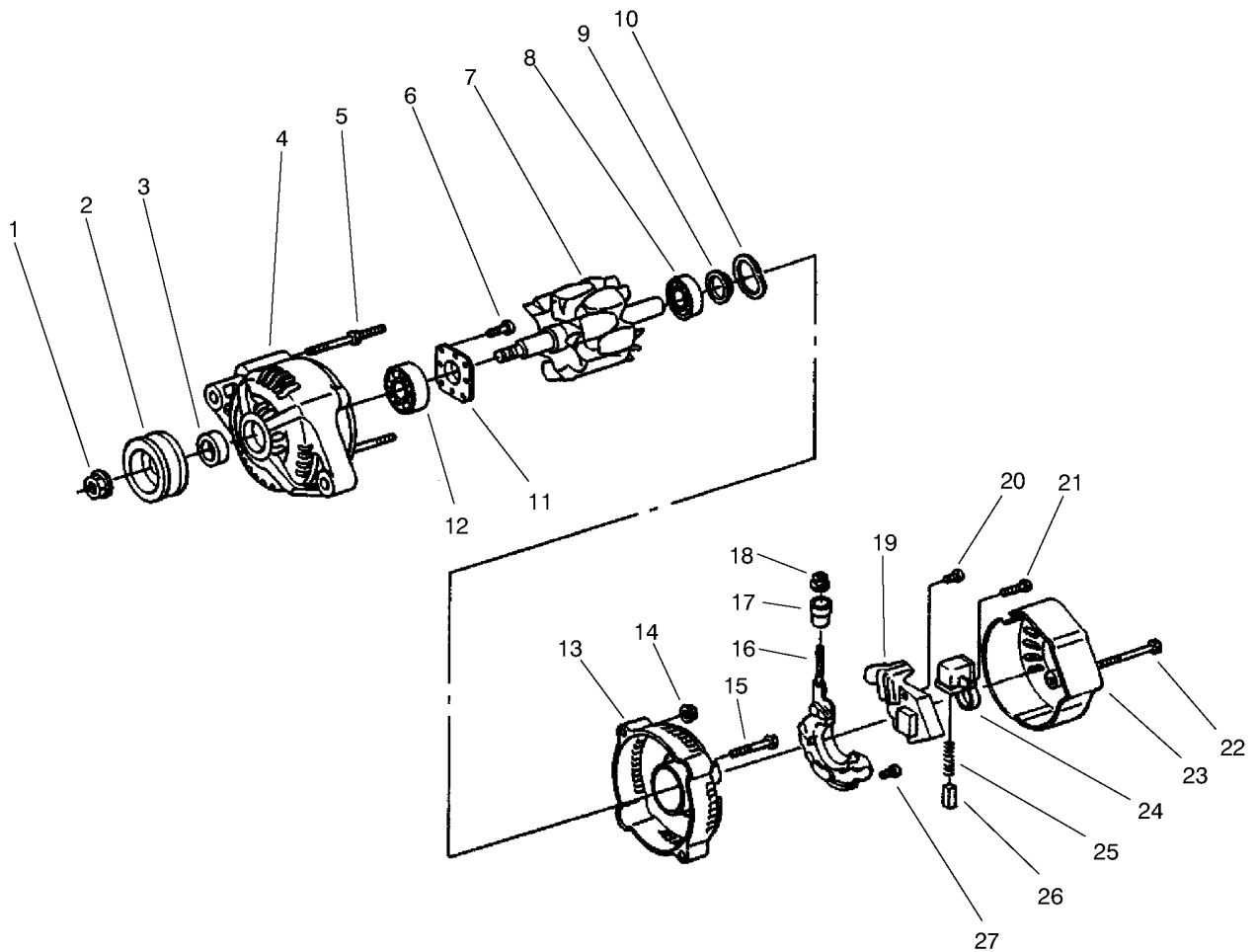
Ref.	Part Number	Qty.	Description
1	99-8301	3	Nut
2	99-8307	3	Washer
4	99-8302	3	Washer-Adjusting
5	99-8303	3	Spring-Nozzle
6	99-8305	3	Push Rod
7	99-8304	3	Piece-Distance
8	99-8308	3	Piece-Nozzle
9	99-8306	3	Nut-Nozzle
10	99-8309	3	Asm-Washer, Adjusting
*	99-8310	3	Washer-Adj. (0.10Mm)●
*	99-8311	3	Washer-Adj. (0.20Mm)●
10	99-8312	3	Washer-Adj. (0.30Mm)
*	99-8313	3	Washer-Adj. (0.40Mm)●
*	99-8314	3	Washer-Adj. (0.50Mm)●
*	99-8315	3	Washer-Adj. (0.52Mm)●
*	99-8316	3	Washer-Adj. (0.54Mm)●
*	99-8317	3	Washer-Adj. (0.56Mm)●
*	99-8318	3	Washer-Adj. (0.58Mm)●
*	99-8319	3	Washer-Adj. (0.80Mm)●
*	98-9468	3	Asm-Holder, Nozzle (Incl. Ref. #1-9)●

● * Not Illustrated



Alternator and Pulley Assembly

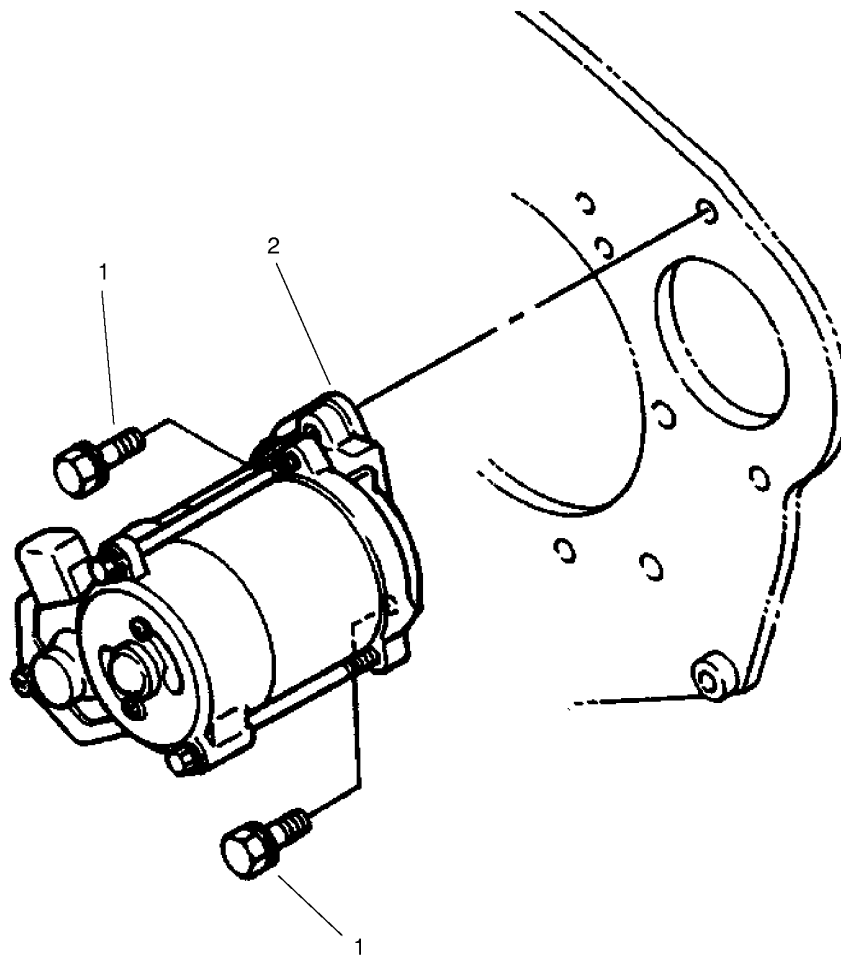
<i>Ref.</i>	<i>Part Number</i>	<i>Qty.</i>	<i>Description</i>	<i>Ref.</i>	<i>Part Number</i>	<i>Qty.</i>	<i>Description</i>
1	98-7697	1	Bolt	14	98-9602	1	Asm-Coupler, Lock
2	98-7698	1	Washer-Flat	15	98-9699	7	Terminal
3	98-7692	1	Bolt	16	98-9698	1	Connector
4	98-9573	1	Stay-Dynamo	17	98-9697	1	Connector
5	99-3453	1	Pulley-Fan	18	98-9696	1	Asm-Coupler (Incl. Ref. #15-17)
6	98-9360	1	Bolt	19	98-9474	1	Asm-Alternator
7	98-9368	1	Washer-Lock	20	99-3467	1	V-Belt
8	98-9366	1	Washer-Flat	21	99-3456	1	Pulley-Fan Drive
9	98-9700	1	Asm-Terminal (Incl. Ref. #10-13)	22	98-9585	1	Bolt
10	98-9701	1	Terminal	23	98-7737	1	Nut
11	98-9702	1	Sleeve	24	99-3461	1	Fan
12	98-9703	1	Terminal	25	33103-012	4	Screw-HHF
13	98-9704	1	Sleeve				



Alternator Assembly

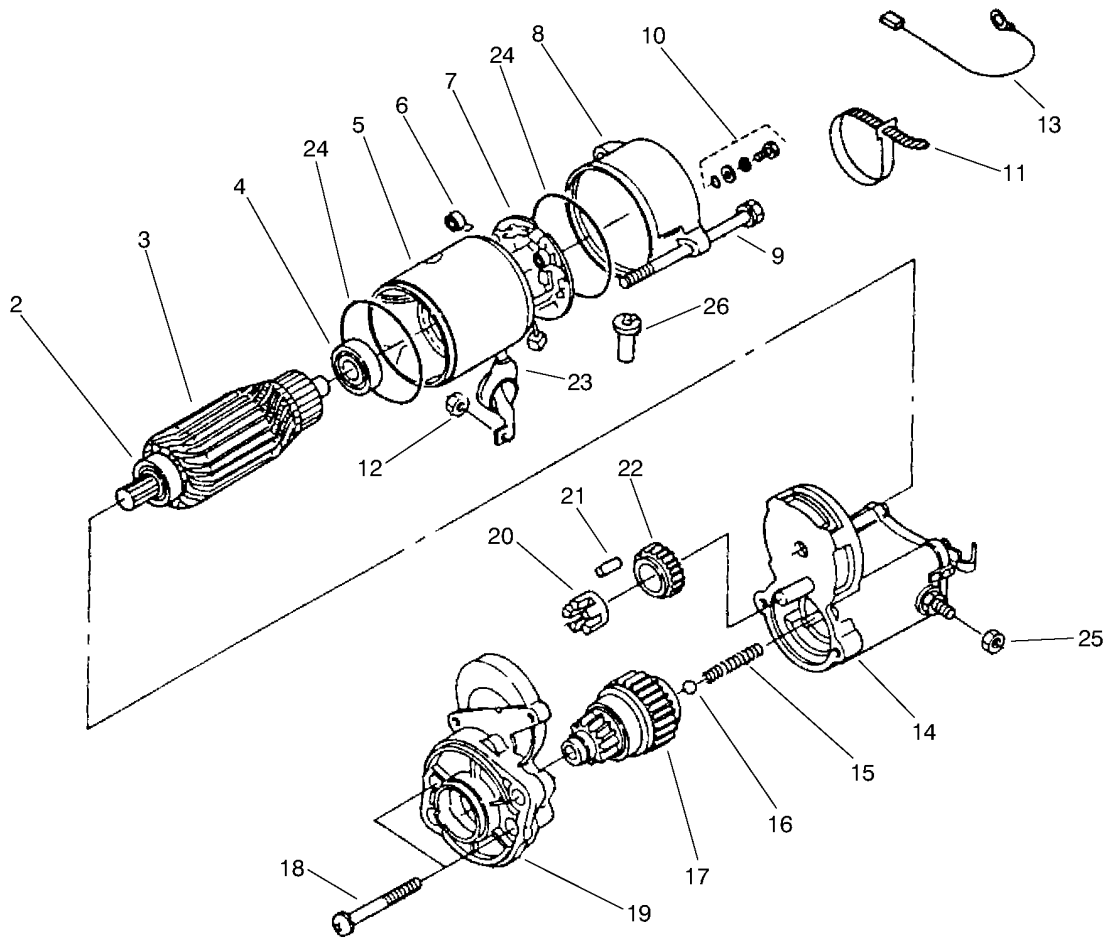
<i>Ref.</i>	<i>Part Number</i>	<i>Qty.</i>	<i>Description</i>	<i>Ref.</i>	<i>Part Number</i>	<i>Qty.</i>	<i>Description</i>
1	98-7708	1	Nut	16	98-7721	1	Asm-Rectifier
2	98-9453	1	Pulley-Dynamo	17	98-7722	1	Bushing-Insulation
3	98-7709	1	Collar	18	98-7732	1	Nut
4	98-7714	1	Frame-Drive End	19	98-7733	1	Asm-Regulator
5	98-7717	2	Bolt-Through	20	98-7726	2	Screw-RH
6	98-7716	4	Screw-RH	21	98-7728	1	Screw-RH
7	98-7710	1	Rotor	22	98-7729	3	Bolt
8	98-7712	1	Bearing-Ball	23	98-7720	1	Cover-End
9	98-7711	1	Cover-Bearing	24	98-7723	1	Holder-Brush
10	98-7713	1	Washer-Thrust	25	98-7725	2	Spring-Brush
11	98-7715	1	Plate-Retainer	26	98-7724	2	Brush
12	98-7718	1	Bearing-Ball	27	98-7727	6	Screw-RH
13	98-7719	1	Frame-End	*	98-9474	1	Asm-Alternator (Incl. Ref. #1-27) ●
14	98-7730	2	Nut				
15	98-7731	2	Bolt				

● * Not Illustrated



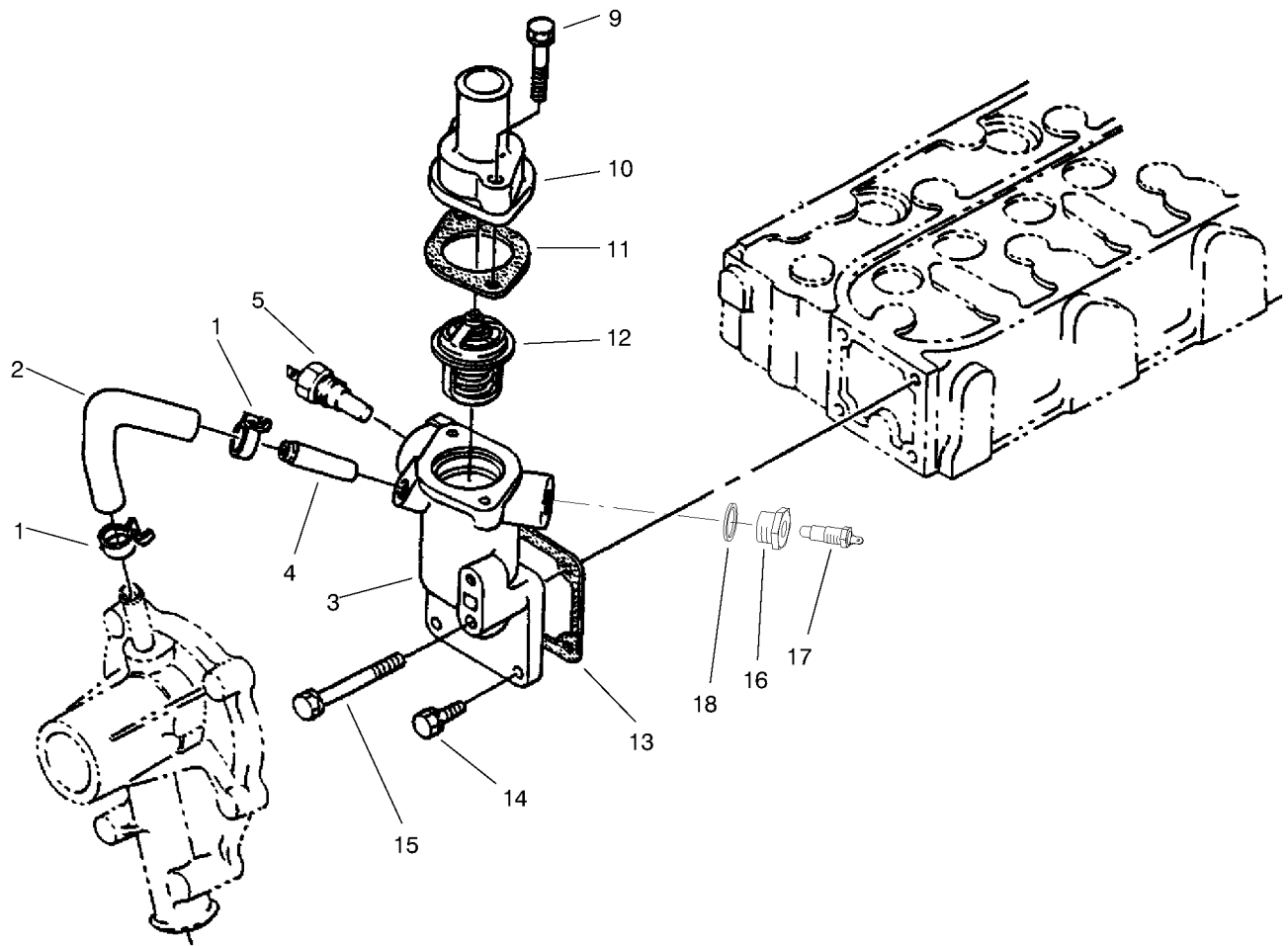
Starter Mount Assembly

<i>Ref.</i>	<i>Part Number</i>	<i>Qty.</i>	<i>Description</i>
1	98-7697	2	Bolt
2	98-9705	1	Starter ASM



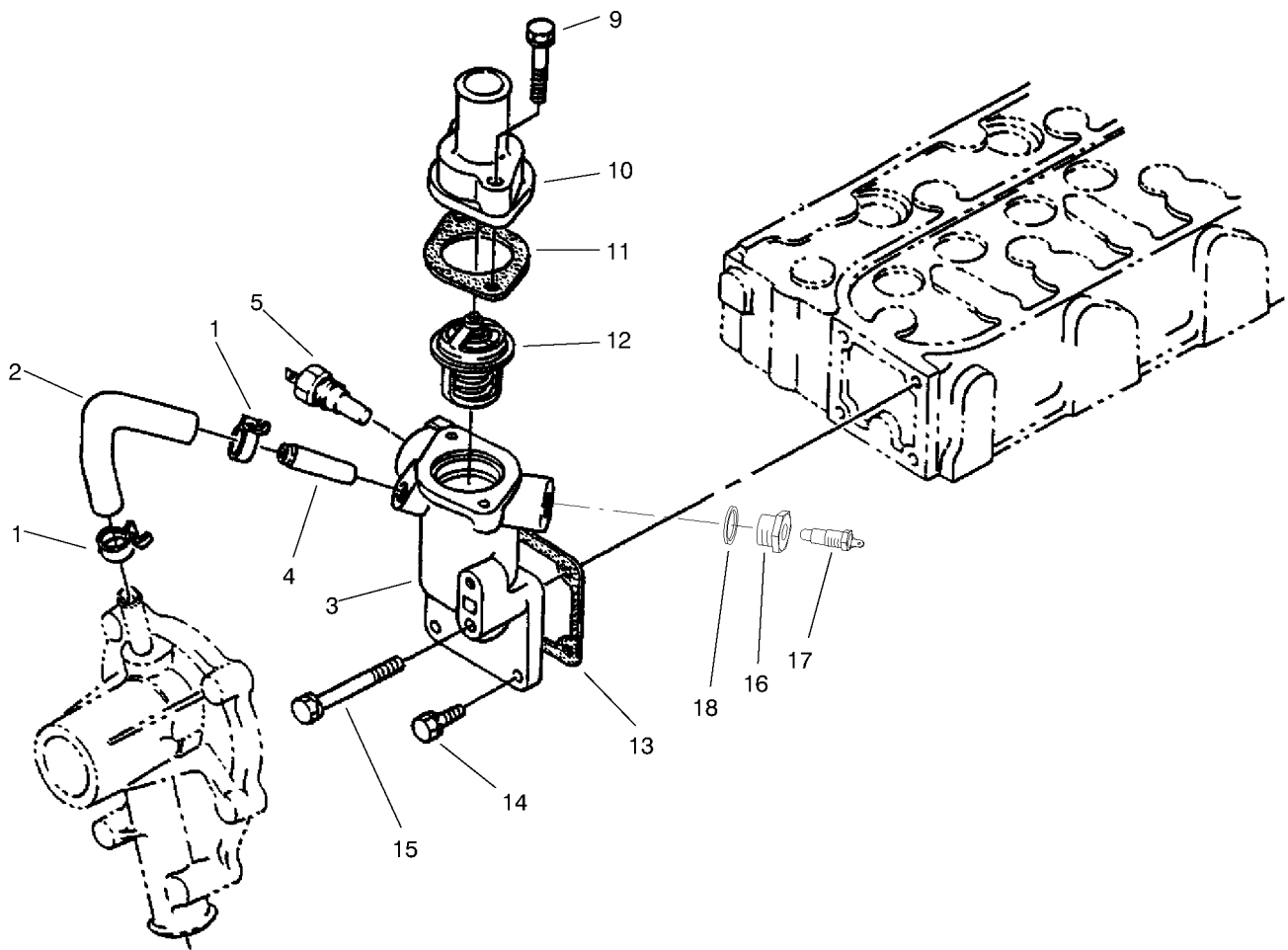
Starter Assembly No. 98-9705

<i>Ref.</i>	<i>Part Number</i>	<i>Qty.</i>	<i>Description</i>	<i>Ref.</i>	<i>Part Number</i>	<i>Qty.</i>	<i>Description</i>
2	98-7743	1	Bearing-Ball	14	99-8372	1	Magnetic Switch ASM
3	98-7742	1	Armature ASM (Incl. Ref. No. 2, 4)	15	98-7754	1	Spring
4	98-7744	1	Bearing-Ball	16	98-7755	1	Ball
5	98-7741	1	Yoke ASM	17	99-8373	1	Clutch-Running, Over
6	98-7750	4	Spring-Brush	18	98-7756	2	Bolt
7	98-7749	1	Brush Holder ASM (Incl. Ref. No. 6)	19	99-8374	1	Frame-End, Drive
8	99-8370	1	Frame-End	20	98-7752	1	Retainer
9	98-9549	2	Bolt	21	98-7753	5	Roller
10	98-7758	2	Bolt ASM	22	98-7751	1	Gear
11	98-9712	1	Band-Cover	23	99-8375	1	Cover
12	99-8371	1	Nut-Hex	24	98-7757	2	O-Ring
13	98-9711	1	Cord-Solenoid, Stop	25	99-8376	1	Nut-Hex
				26	98-7759	1	Pipe-Drain



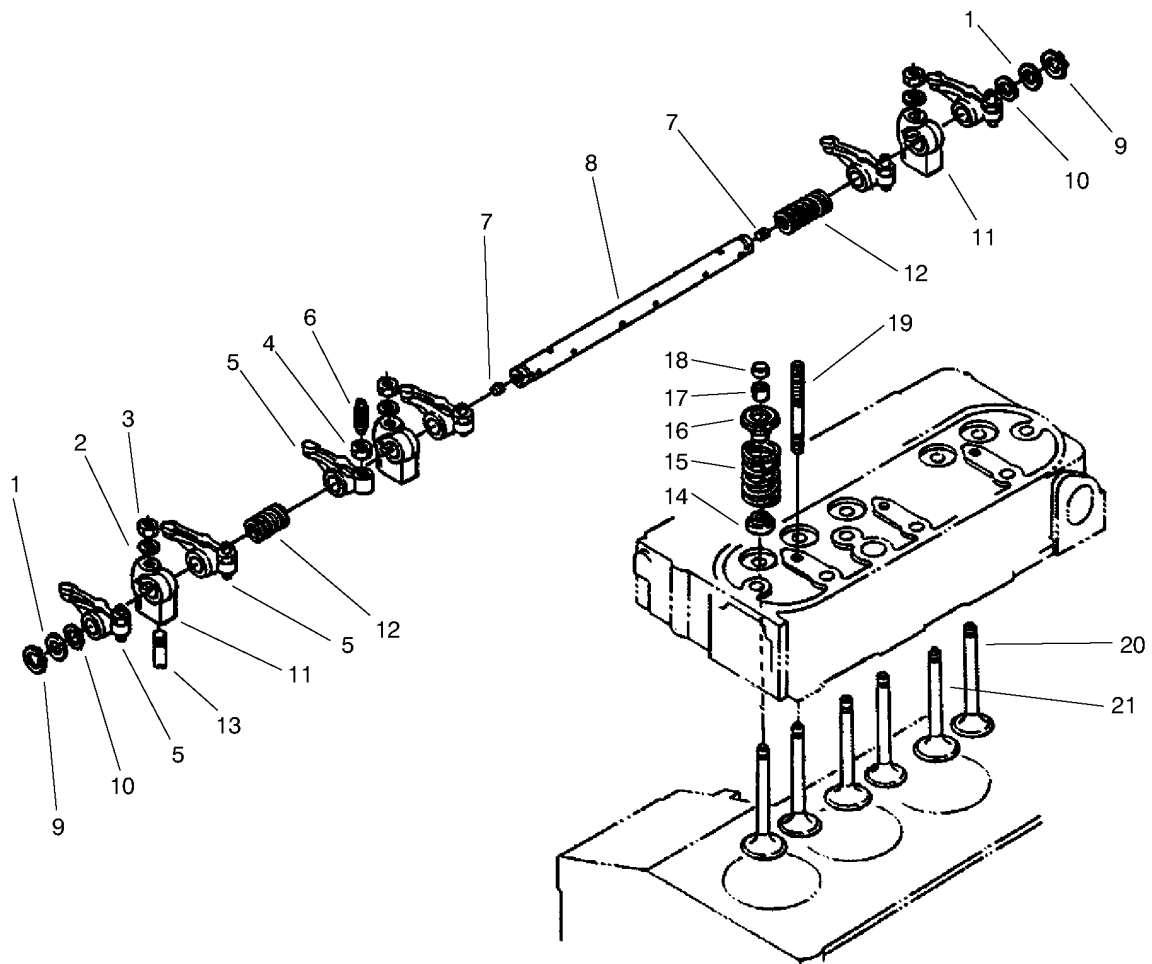
Water Flange and Thermostat Assembly

<i>Ref.</i>	<i>Part Number</i>	<i>Qty.</i>	<i>Description</i>
1	98-9579	2	Band Pipe
2	98-9578	1	Pipe-Return, Water
3	98-9713	1	Asm-Flange, Water (Incl. Ref. #4)
4	98-9580	1	Pipe-Return, Water
5	98-9719	1	Thermoswitch (105#c)
9	98-7777	2	Bolt
10	98-9471	1	Cover-Thermostat
11	98-7776	1	Gasket
12	98-7778	1	Asm-Thermostat
13	98-9638	1	Gasket-Flange, Water
14	98-7692	3	Bolt
15	98-9356	1	Bolt
16	99-3581	1	Adapter
17	99-3582	1	Thermoswitch (110#c)
18	99-3583	1	Gasket



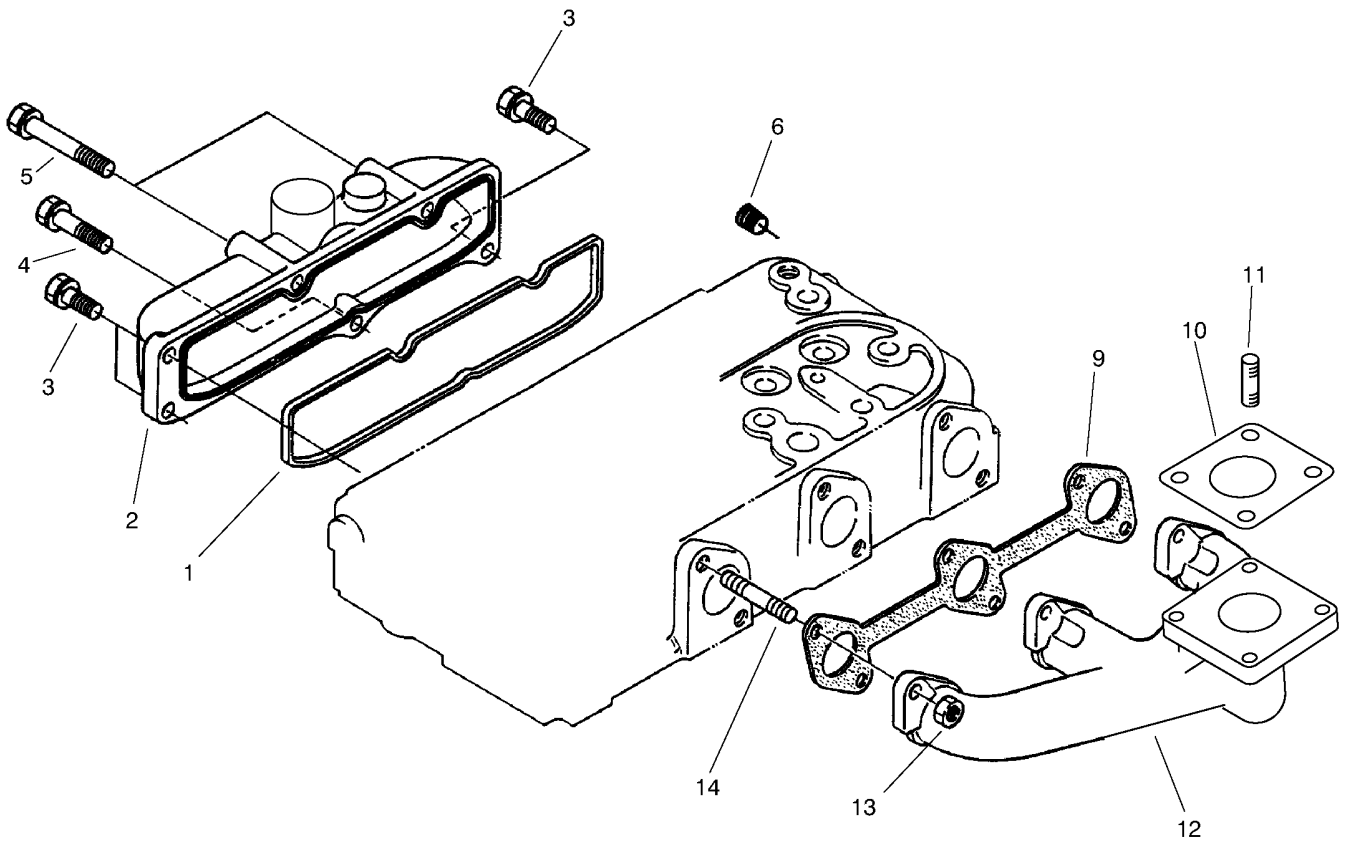
Water Pump Assembly

<i>Ref.</i>	<i>Part Number</i>	<i>Qty.</i>	<i>Description</i>
1	99-3455	1	Asm-Pump, Water (Incl. Ref. #2-6)
2	99-3516	1	Flange-Pump, Water
3	99-3517	1	Bearing
4	98-9577	1	Pipe-Return, Water
5	99-3518	1	Asm-Seal
6	99-3519	1	Impeller-Water
7	99-3454	1	Gasket-Pump, Water
8	33103-030	1	Bolt
9	98-9357	4	Bolt
10	98-9717	2	Clamp
11	98-9574	1	Pipe-Water
12	98-9716	1	Pipe-Water



Valve and Rocker Arm Assembly

Ref.	Part Number	Qty.	Description
1	98-9508	2	Washer-Shaft, Rocker Arm
2	98-9385	3	Washer-Flat
3	98-9393	3	Nut
4	98-9503	6	Nut
5	98-9501	6	Asm-Arm, Rocker (Incl. Ref. #4 & 6)
6	98-9502	6	Screw-Adjusting
7	98-9365	2	Screw-Set
8	98-9612	1	Asm-Shaft, Rocker Arm (Incl. Ref. #7)
9	98-9370	2	Clip-Circular, External
10	98-9507	2	Washer-Shaft, Rocker Arm
11	98-9505	3	Bracket-Rocker Arm
12	98-9504	2	Spring-Rocker Arm
13	98-9391	1	Screw-Set
14	98-9496	6	Seal-Valve Stem
15	98-9648	6	Spring-Valve
16	98-9498	6	Retainer-Valve Spring
17	98-9390	6	Collet-Valve Spring Set
18	98-9497	6	Cap-Valve
19	98-9506	3	Stud
20	98-9495	3	Valve-Exhaust
21	98-9494	3	Valve-Inlet



Exhaust Manifold and Gasket Assembly

<i>Ref.</i>	<i>Part Number</i>	<i>Qty.</i>	<i>Description</i>
1	98-9609	1	Gasket-Manifold, Inlet
2	99-3457	1	Manifold-Inlet
3	98-7605	3	Bolt
4	98-9353	1	Bolt
5	98-9355	2	Bolt
6	98-9444	1	Plug
9	98-9610	1	Gasket-Manifold, Exhaust
10	98-9611	1	Gasket-Muffler
11	42-9560	4	Stud
12	98-9718	1	Manifold-Exhaust
13	98-9665	6	Nut
14	98-9588	6	Stud

Notes:



Count on it.