



**Count on it.**

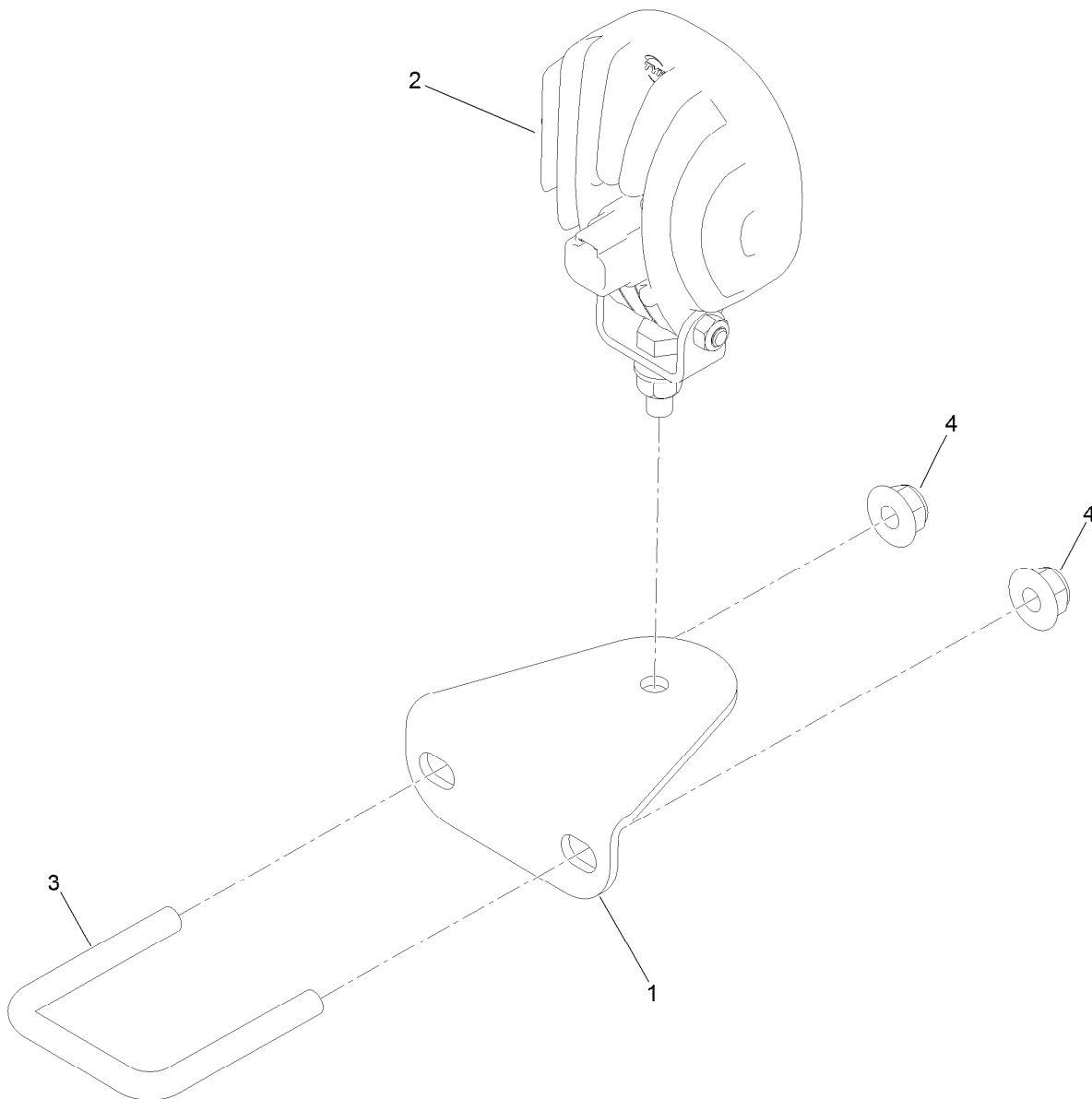
**Parts Catalog**

**Rear Light Kit**

**Greensmaster® 3360 or 3370 eTriFlex  
Traction Unit**

**Model No. 137-7945**





## Rear Light Kit Assembly No. 137-7945

<i>Ref.</i>	<i>Part Number</i>	<i>Qty.</i>	<i>Description</i>
1	131-2049-03	1	Bracket-Light
2	122-1087	1	Light-Work, LED
3	130-6549	1	Bolt-U
4	104-8301	2	Nut-HF, NI