



Count on it.

Parts Catalog

**Z Master[®] Professional 7000
Series Riding Mower**

**With 132cm TURBO FORCE[®] Rear Discharge
Mower**

Model No. 72279TE—Serial No. 406397919 and Up



Ordering Replacement Parts

To order replacement parts, please supply the part number, the quantity, and the description of each part desired.

Understanding Reference Numbers

Each identified part in an illustration has a reference number. The reference number for a part also appears in the parts list, along with other information about the part.

This catalog uses two special reference number formats, one to indicate parts in a service assembly and another to indicate the quantity of a given part in an illustration.

Service Assembly Reference Numbers

Parts in service assemblies have reference numbers in the form a:b. The a represents the reference number of the entire service assembly and the b represents a sequential number unique to each part within the service assembly.

For example, a wheel assembly might be identified by reference number 6, the tire by 6:1, the valve by 6:2, and the wheel by 6:3. When you order the assembly identified by reference number 6, you receive all parts identified by reference numbers 6:1, 6:2, and 6:3. However, you may also order any part individually. Reference numbers of this type appear in illustration and in parts lists.

Reference Numbers Indicating Quantity

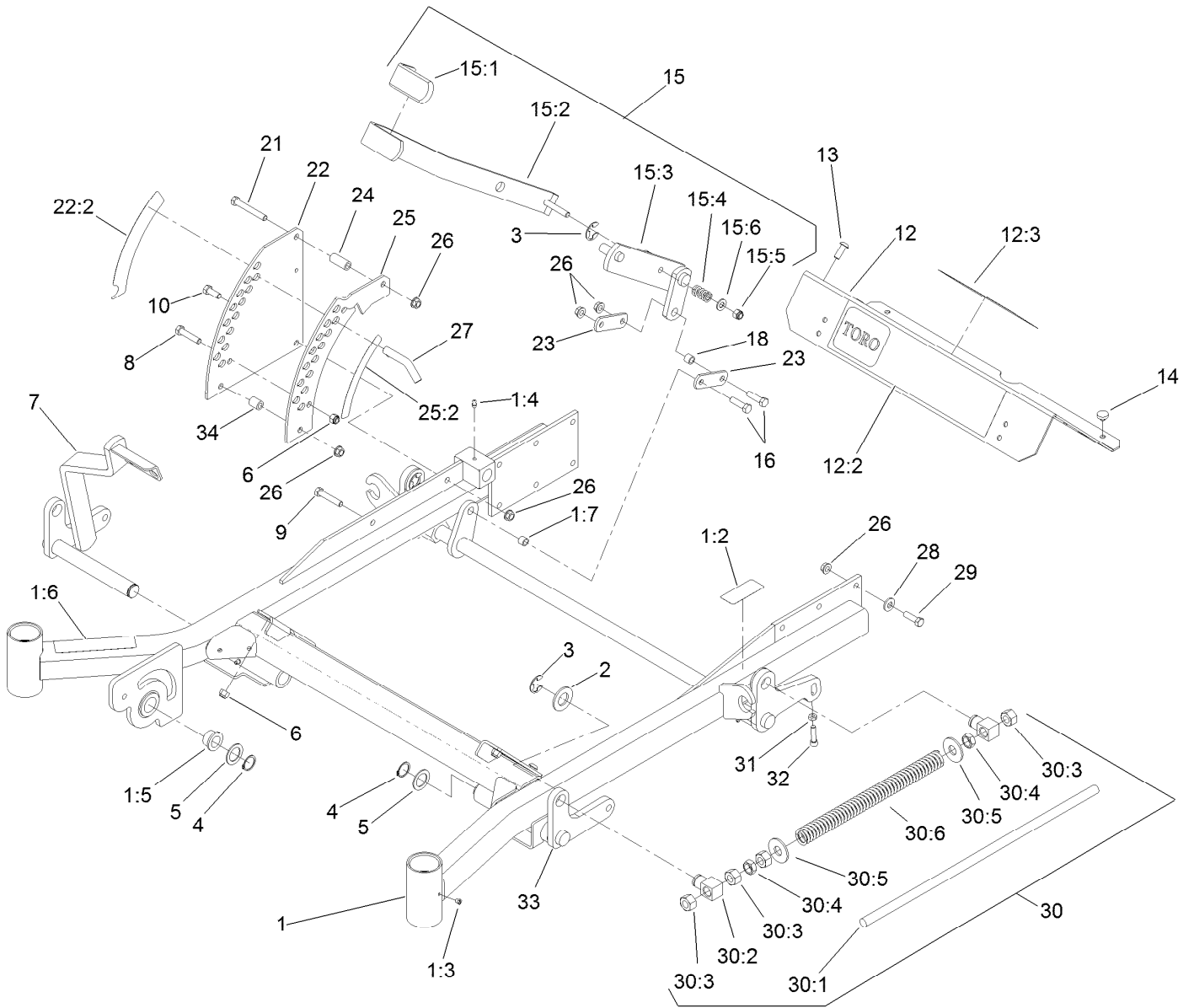
In an illustration, if a reference number indicates more than one part, the reference number has the form nX y. The n represents the quantity of the part, the X is the multiplication symbol, and the y represents the reference number.

For example, in an illustration, the reference number 2X 37 means that two of the parts identified by reference number 37 are indicated.

Contents

Front Frame Assembly	4
Fork, Caster Wheel and Z Stand Assembly	6
Traction Frame and Floor Pan Assembly	7
Seat and Roll-Over Protection System Assembly	8
Seat Assembly No. 140-8003	10
Roll-Over Protection System Assembly No. 110-0877	12
Main Frame and Rear Wheel Assembly	14
Hydro Control Assembly	16
Engine, Exhaust and Air Intake Assembly	18
Air Cleaner Assembly No. 93-2190	20
Gearbox, Clutch and Pulley Assembly	22
Gearbox Assembly No. 107-9887	24
Hydraulic Tank, Pump and Motor Assembly	26
Tandem Pump Assembly No. 107-9885	28
Hydraulic Motor Assembly No. 112-8357 (CCW)	29
Hydraulic Motor Assembly No. 112-8358 (CW)	30
Hydraulic Hose System Assembly	31
Fuel System and Throttle Control Assembly	32
Fuel Line Assembly	33
Engine Housing Assembly	34
Cooling System Assembly	36
Hood Assembly	38
Deck Connection Assembly	40
Deck Assembly	42
Deck Decal Assembly No. 140-1155	44
Spindle Assembly No. 137-9780	46
Spring Idler Assembly No. 114-1812	48
Electrical Assembly	49
Crankcase Assembly	50
Oil Pan, Oil Pump and Dipstick Assembly	51
Cylinder Head Assembly	52
Gear Case and Oil Filter Cartridge Assembly	53
Cylinder Head Cover Assembly	54
Main Bearing Case Assembly	55
Camshaft and Idle Gear Shaft Assembly	56
Piston and Crankshaft Assembly	57
Fuel Camshaft Assembly	58
Idle Apparatus and Fuel Pump Cover Assembly	59
Stop Solenoid and Speed Control Plate Assembly	60
Injection Pump Assembly	61
Governor Assembly	62
Nozzle Holder and Glow Plug Assembly	63
Nozzle Holder Assembly	64
Alternator and Pulley Assembly	67
Alternator Components Assembly	68
Starter and Flywheel Assembly	69
Starter Component Assembly	70
Water Flange and Thermostat Assembly	71
Water Pump and Water Pipe Assembly	72
Valve and Rocker Arm Assembly	73
Inlet and Exhaust Manifold Assembly	74
Miscellaneous Engine Parts	75
Upper Engine Gasket Kit	76
Lower Engine Gasket Kit	77
Attachments and Accessories	78

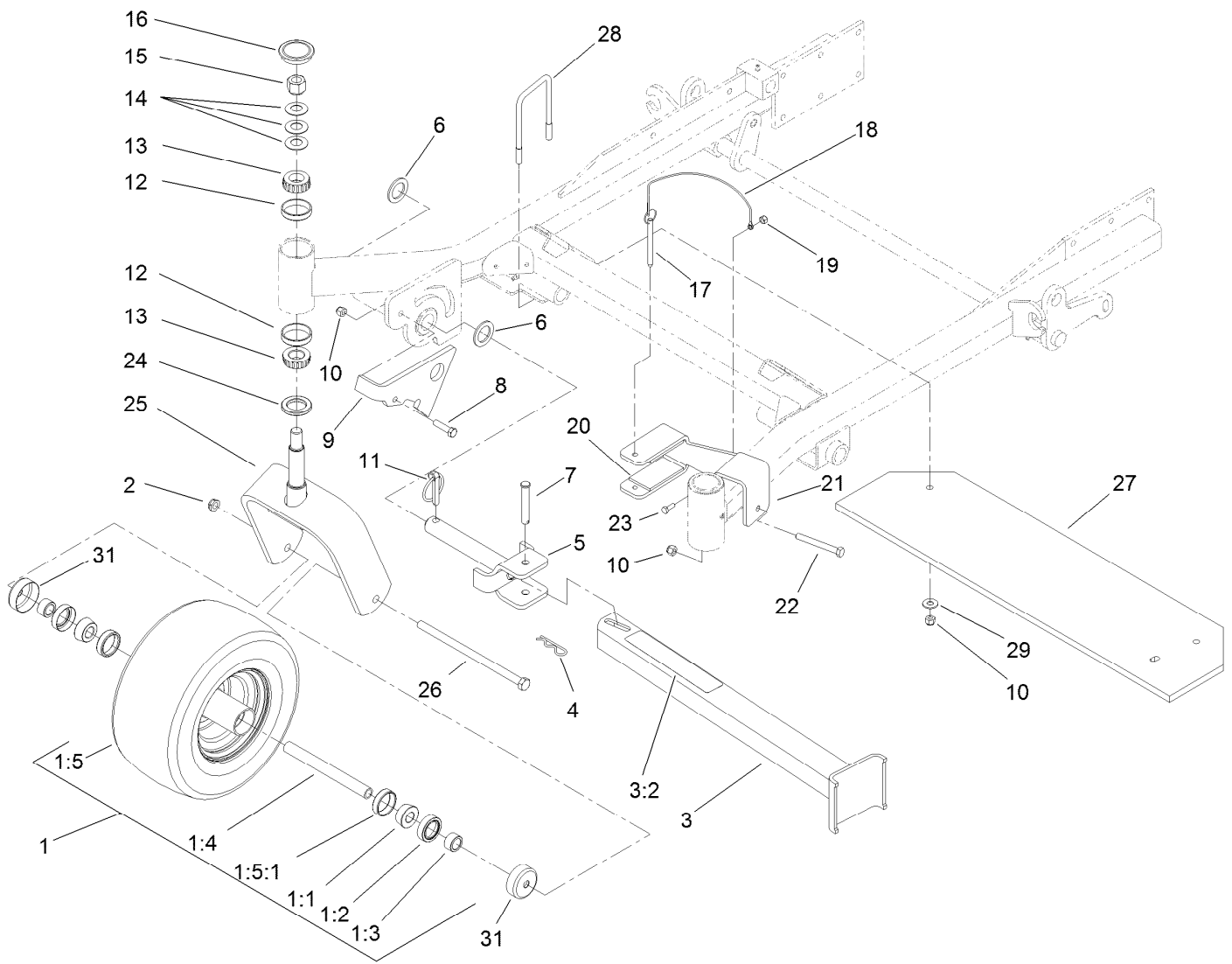
Front Frame Assembly



Front Frame Assembly (continued)

<i>Ref.</i>	<i>Part Number</i>	<i>Qty.</i>	<i>Description</i>	<i>Ref.</i>	<i>Part Number</i>	<i>Qty.</i>	<i>Description</i>
1	110-0800	1	Frame ASM	15:5	3296-39	1	Nut-Lock, NI
1:2	107-3968	1	Decal-Brake, Parking	15:6	3256-24	1	Washer-Flat
1:3	1-811010	2	Plug	16	323-29	2	Screw-HH
1:4	302-19	5	Fitting-Grease	18	103-1918	1	Bushing
1:5	94-1291	2	Bushing	21	323-11	1	Screw-HH
1:6	107-3969	1	Decal-Warning	22	117-0367	1	Plate-HOC, Outer
1:7	103-1918	1	Bushing	22:2	107-3961	1	Decal-Height, Deck
2	3256-29	4	Washer-Flat	23	1-633068	2	Arm-Lift, Deck
3	32151-103	5	Ring-Retaining, EXT	24	1-633082	1	Bushing-Lever, Lift
4	32151-29	2	Ring-Retaining	25	117-0370	1	Plate-HOC, Inner
5	1-523157	2	Washer-Spacer	25:2	107-3962	1	Decal-Height, Deck
6	3296-39	5	Nut-Lock, NI	26	3290-357	17	Nut-HHF, Whiz
7	108-7786-01	1	Lift-Deck, RH Front	27	109-8757	1	Pin-HOC
8	323-9	1	Screw-HH	28	98-5975	12	Washer-Belleville
9	323-10	1	Screw-HH	29	323-7	12	Screw-HH
10	323-6	1	Screw-HH	30		2	Front Frame Spring ASM ●
12	107-3976	1	Footrest	30:1	1-633096	1	Rod-Lift, Deck
12:2	140-1215	1	Decal-Console	30:2	1-633441	2	Swivel-Deck Mount, Rear
12:3	132-0871	1	Decal-Danger	30:3	3217-11	4	Nut-Hex
13	3274-94	4	Screw-HSBH	30:4	3218-6	2	Nut-Jam
14	1-513658	2	Bumper	30:5	3256-7	2	Washer-Flat
15	110-5860	1	Deck Lift Handle ASM	30:6	1-633064	1	Spring-Support, Deck
15:1	1-633295	1	Grip-Lever, Lift	31	3218-2	2	Nut-Jam
15:2	103-2083-03	1	Lever-Lift	32	3274-18	2	Screw-HSH
15:3	103-2064-03	1	Arm-Lift, Deck	33	106-8984-01	1	Lift-Deck, LH
15:4	1-633325	1	Spring-Compression	34	1-633080	1	Bushing-Lever, Lift

● Not serviced separately

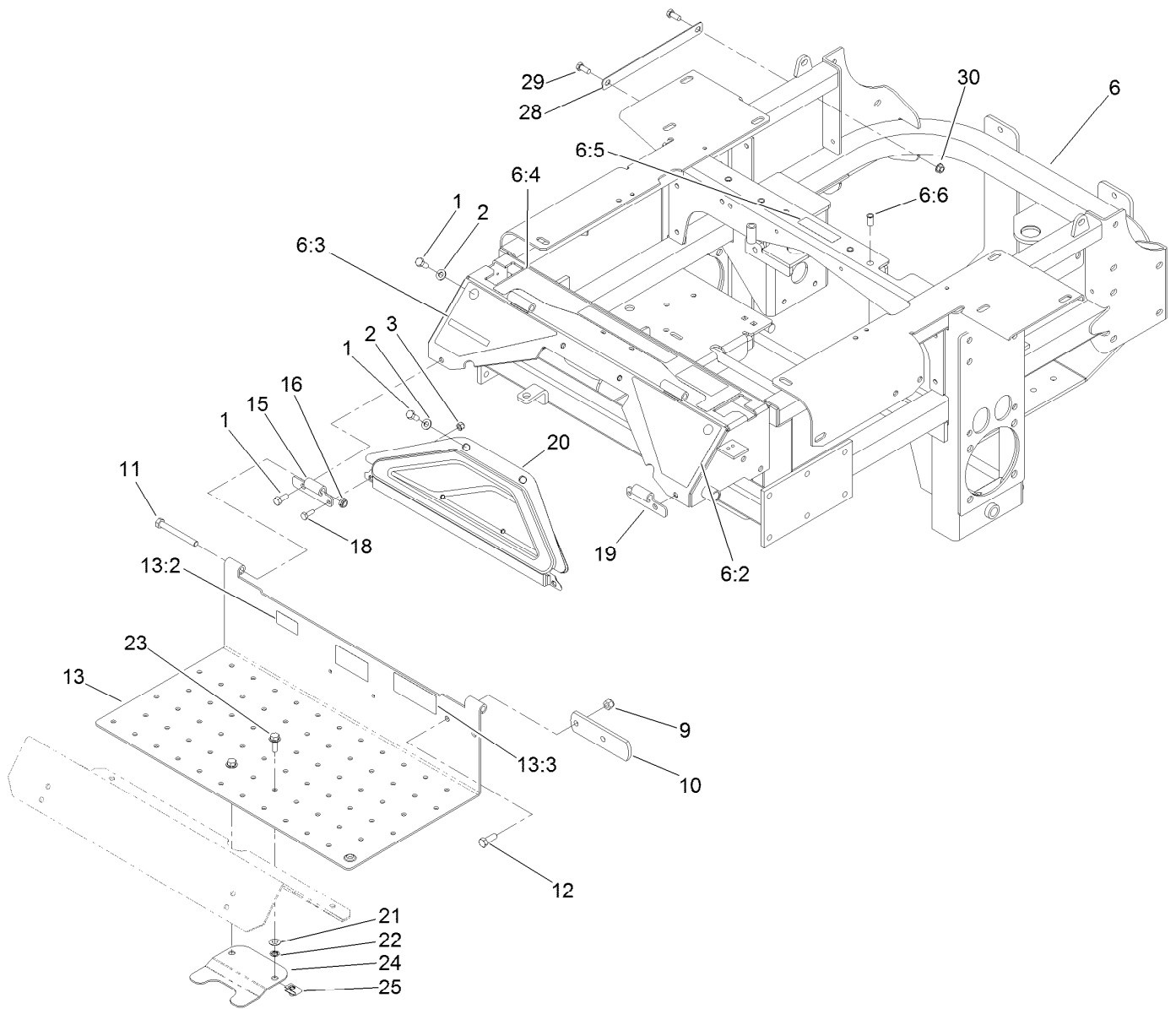


Fork, Caster Wheel and Z Stand Assembly

Ref.	Part Number	Qty.	Description	Ref.	Part Number	Qty.	Description
1	109-9125	2	Wheel And Tire ASM	13	254-94	4	Bearing-Cone, Tapered
1:1	1-633585	2	Bearing-Cone, Taper	14	1-633508	6	Washer-Bellville
1:2	103-0063	2	Seal-Caster	15	3296-51	2	Nut-Lock, NI
1:3	103-3051	1	Spacer-Nut ■	16	103-4882	2	Cap-Grease
1:4	126-5361	1	Axle Caster ASM	17	105-1647	1	Pin-Hitch, Cotterless
1:5		1	Wheel And Tire ASM ●	18	100-9385	1	Lanyard-Nylon
1:5:1	1-633584	2	Bearing-Cup	19	3296-42	1	Nut-Lock, NI
2	3296-23	2	Nut-Lock, NI	20	100-6547	2	Cushion-Rubber
3	107-1874	1	Leg ASM	21	100-6542-01	1	Bracket-Cradle
3:2	106-7464	1	Decal-Z Stand	22	323-20	1	Screw-HH
4	3290-355	1	Pin-Hair	23	321-4	1	Screw-HH
5	100-9692-01	1	Pin-Pivot	24	116-5647	2	Seal-Grease
6	3-6781	2	Washer-Thrust	25	116-6705-01	2	Caster
7	283-55	1	Pin-Clevis	26	325-24	2	Screw-HH
8	323-8	1	Screw-HH	27	107-9874-01	1	Weight
9	136-1657-01	1	Plate-Latch	28	110-0817	2	U-Bolt, 3In
10	3296-39	6	Nut-Lock, NI	29	3256-4	4	Washer-Flat
11	283-71	1	Pin-Lynch	31	103-2768	4	Guard-Seal
12	254-72	4	Bearing-Cup, Tapered				

● Not serviced separately

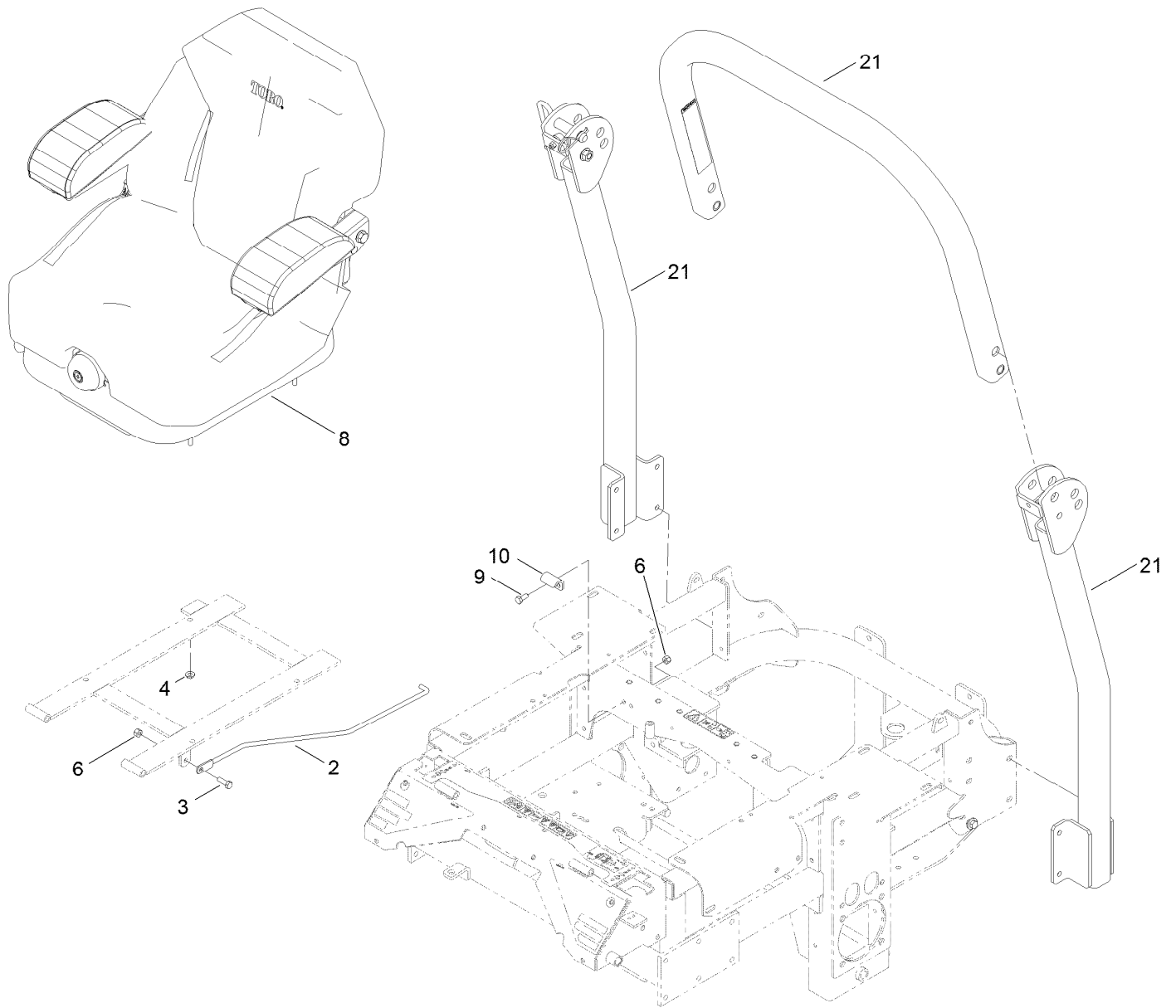
■ Use Pro-Lock, Nut Type (P/N 1-840022, .5ml tube) on threads.



Traction Frame and Floor Pan Assembly

Ref.	Part Number	Qty.	Description	Ref.	Part Number	Qty.	Description
1	322-43	6	Screw-HH	13:3	121-7559	1	Decal-Diesel, Bio-Ready
2	3256-70	4	Washer-Flat	15	106-7488-03	1	Hinge-Floorpan, LH
3	3296-42	2	Nut-Lock, NI	16	3296-59	2	Nut-Lock, NI
6	131-7712	1	Traction Frame ASM	18	321-4	2	Screw-HH
6:2	107-3963	1	Decal-Danger, Left	19	106-7489-03	1	Hinge-Floorpan, RH
6:3	107-3964	1	Decal-Warning, Right	20	106-7498	1	Pocket
6:4	110-0820	1	Decal-Console, Top (CE)	21	73-0041	2	Washer-Thrust
6:5	112-9028	1	Decal-Cover, Missing	22	117-2749	2	Nut-Push
6:6	32148-11	5	Nut-Clinch	23	3234-29	2	Screw-HHF
9	3296-39	2	Nut-Lock, NI	24	119-0395-03	1	Adapter-Captive
10	1-633964-03	1	Stop-Brake, Park	25	94-2413	2	Nut-U
11	323-20	2	Screw-HH	28	131-8671-03	1	Strip
12	323-6	2	Screw-HH	29	323-5	2	Screw-HH
13	115-3851	1	Floor Pan ASM	30	3290-357	2	Nut-HHF, Whiz
13:2	98-4387	1	Decal-Protection, Ear				

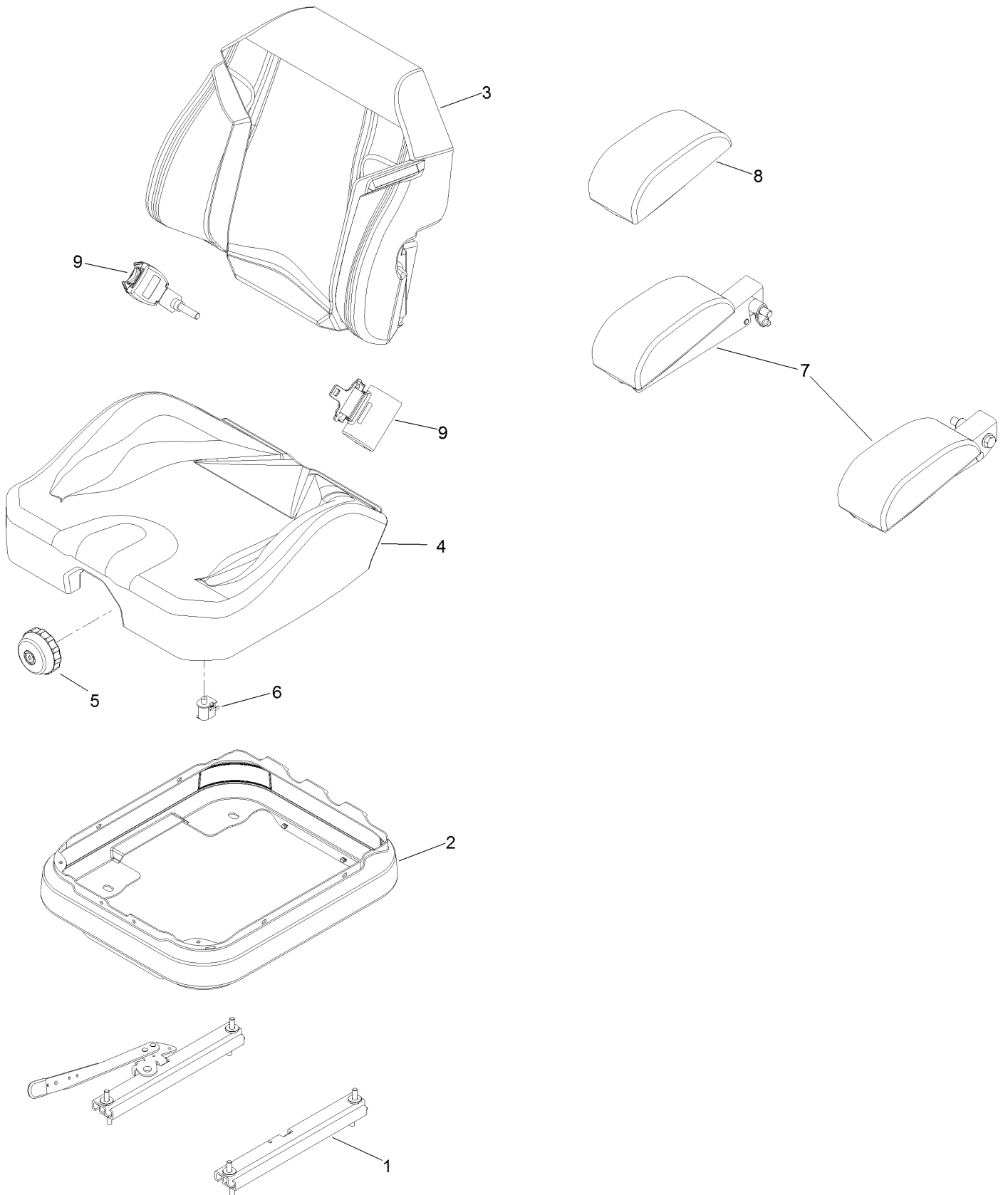
Seat and Roll-Over Protection System Assembly



Seat and Roll-Over Protection System Assembly (continued)

<i>Ref.</i>	<i>Part Number</i>	<i>Qty.</i>	<i>Description</i>	<i>Ref.</i>	<i>Part Number</i>	<i>Qty.</i>	<i>Description</i>
2	108-5341	1	Rod-Prop, Seat	8	140-8003	1	Seat-Suspension
3	322-5	1	Screw-HH	9	322-3	2	Screw-HH
4	32128-20	4	Nut-HF	10	107-3058	1	Catch-Latch, Seat
6	3296-29	3	Nut-Lock, NI	21	110-0877	1	ROPS Kit

Seat Assembly No. 140-8003

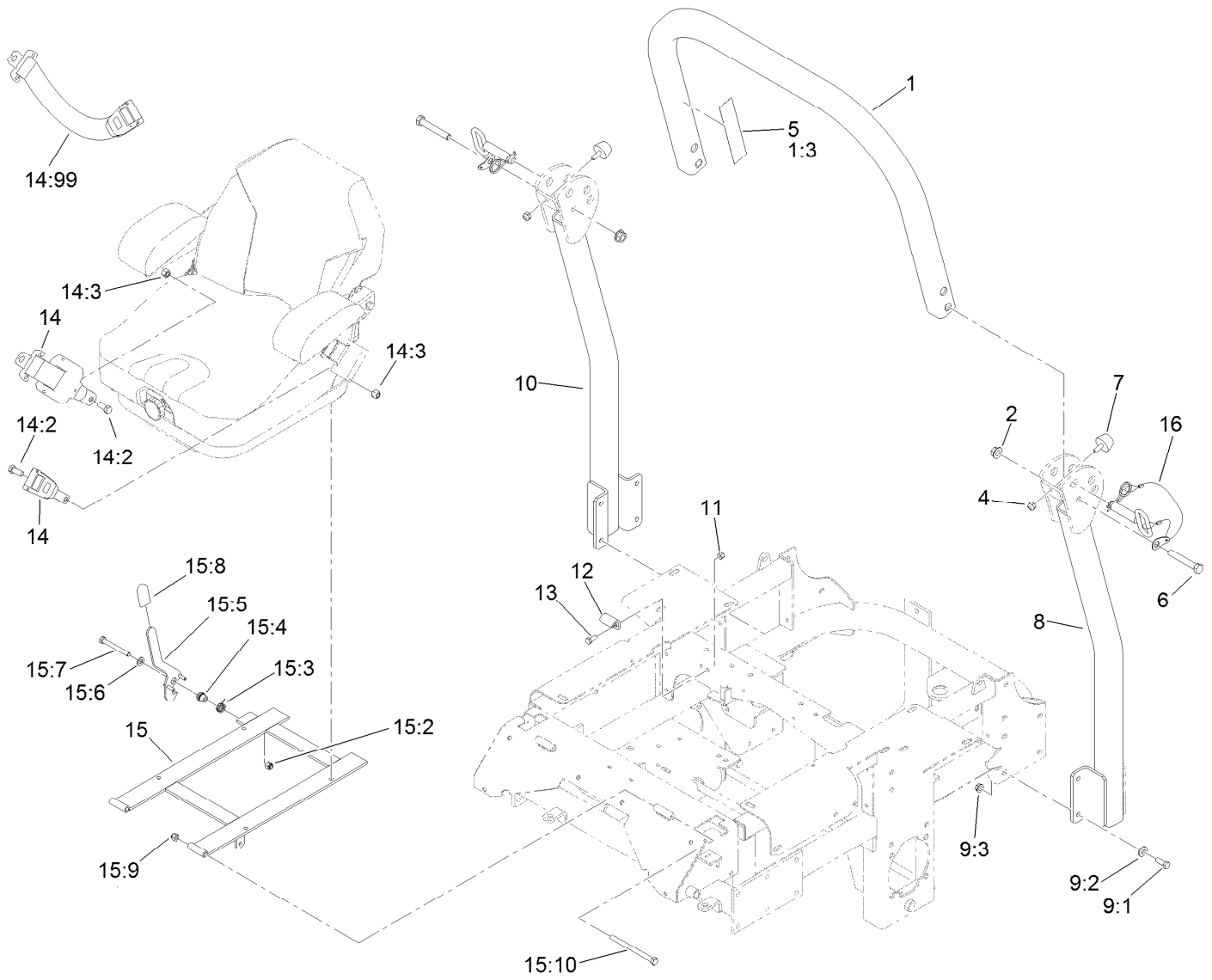


Seat Assembly No. 140-8003 (continued)

<i>Ref.</i>	<i>Part Number</i>	<i>Qty.</i>	<i>Description</i>
1	140-8012	1	Set, Seat Track
2	116-5659	1	Cover-Suspension Bellows
3	140-8004	1	Cover-Back
4	140-8005	1	Cover-Cushion
5	116-8911	1	Knob-Adjuster

<i>Ref.</i>	<i>Part Number</i>	<i>Qty.</i>	<i>Description</i>
6	82-2190	1	Switch-Bail
7	109-9803	1	Arm Rest Set
8	109-9802	1	Arm Rest Pad Set
9	126-2061	1	Seat Belt Service Kit

Roll-Over Protection System Assembly No. 110-0877

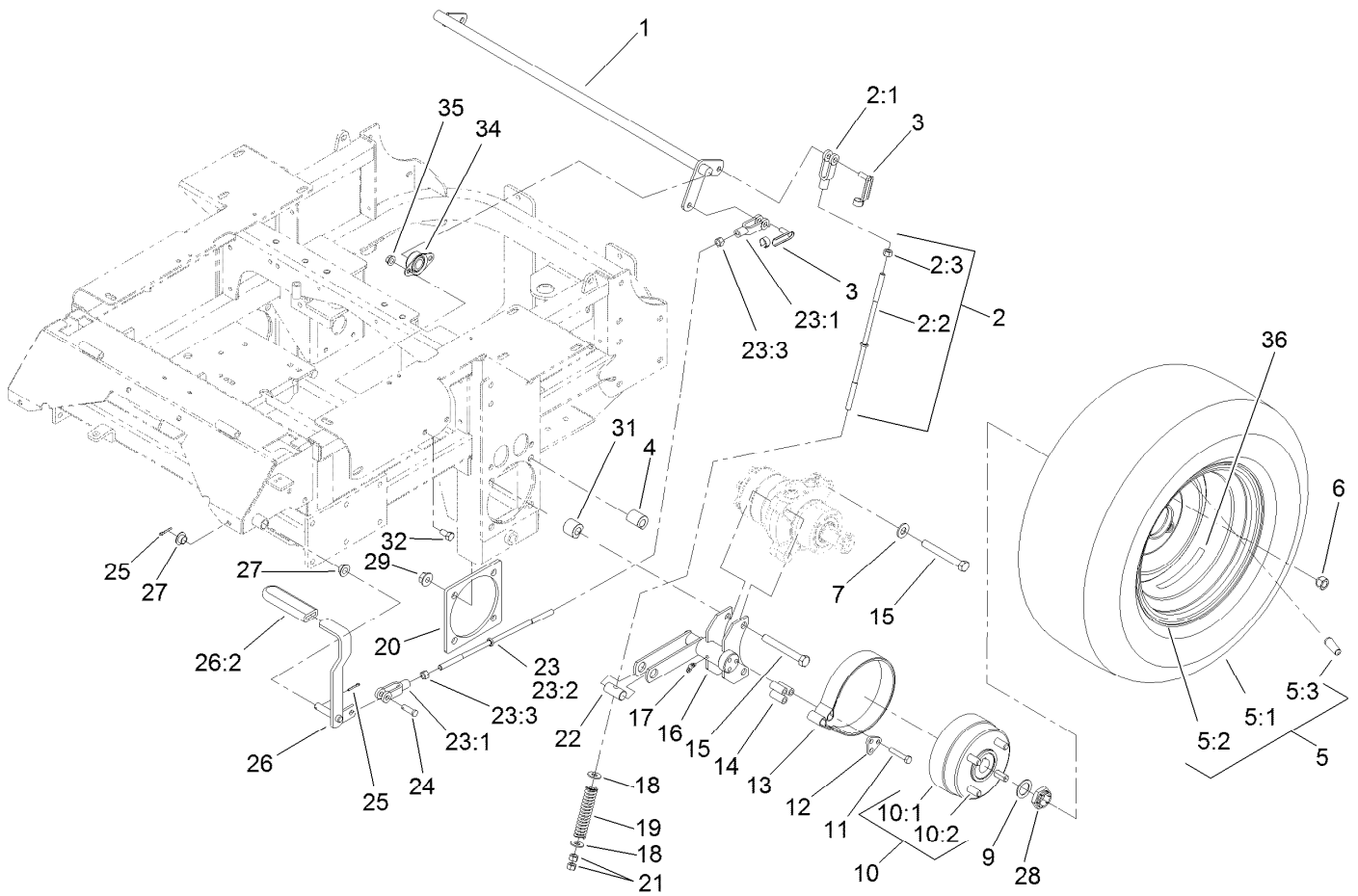


Roll-Over Protection System Assembly No. 110-0877 (continued)

<i>Ref.</i>	<i>Part Number</i>	<i>Qty.</i>	<i>Description</i>	<i>Ref.</i>	<i>Part Number</i>	<i>Qty.</i>	<i>Description</i>
1		1	Upper Tube ASM ■	13	322-3	2	Screw-HH
1:3	107-2102	1	Decal-Warning, Folding ROPS	14	110-0883	1	Retractable Seatbelt Kit
2	32128-23	2	Nut-HF	14:2	3212-4	2	Screw-HH
4	3296-73	2	Nut-Lock, NI	14:3	3296-7	2	Nut-Lock
5	107-3069	1	Decal-Warning	14:99	109-6226	1	Seat Belt Extension Kit
6	325-13	2	Screw-HH	15	110-0874	1	Seatframe ASM
7	109-2365	2	Bumper-Rubber	15:2	3296-39	1	Nut-Lock, NI
8		1	Tube-Support, LH ■	15:3	107-0076	1	Spring-Torsion
9		1	Bag-Bolt, ROPS ● ■	15:4	107-0075	1	Bushing-Latch, Seat
9:1	323-6	8	Screw-HH	15:5	107-3083	1	Latch ASM
9:2	98-5975	8	Washer-Belleville	15:6	3256-24	1	Washer-Flat
9:3	3290-357	8	Nut-HHF, Whiz	15:7	323-20	1	Screw-HH
10		1	Tube-Support, RH ■	15:8	103-4434	1	Grip-Lever
11	3296-29	2	Nut-Lock, NI	15:9	3296-39	2	Nut-Lock, NI
12	107-3058	1	Catch-Latch, Seat	15:10	323-39	2	Screw-HH
				16	103-4553	2	Pin-Fold, ROPS

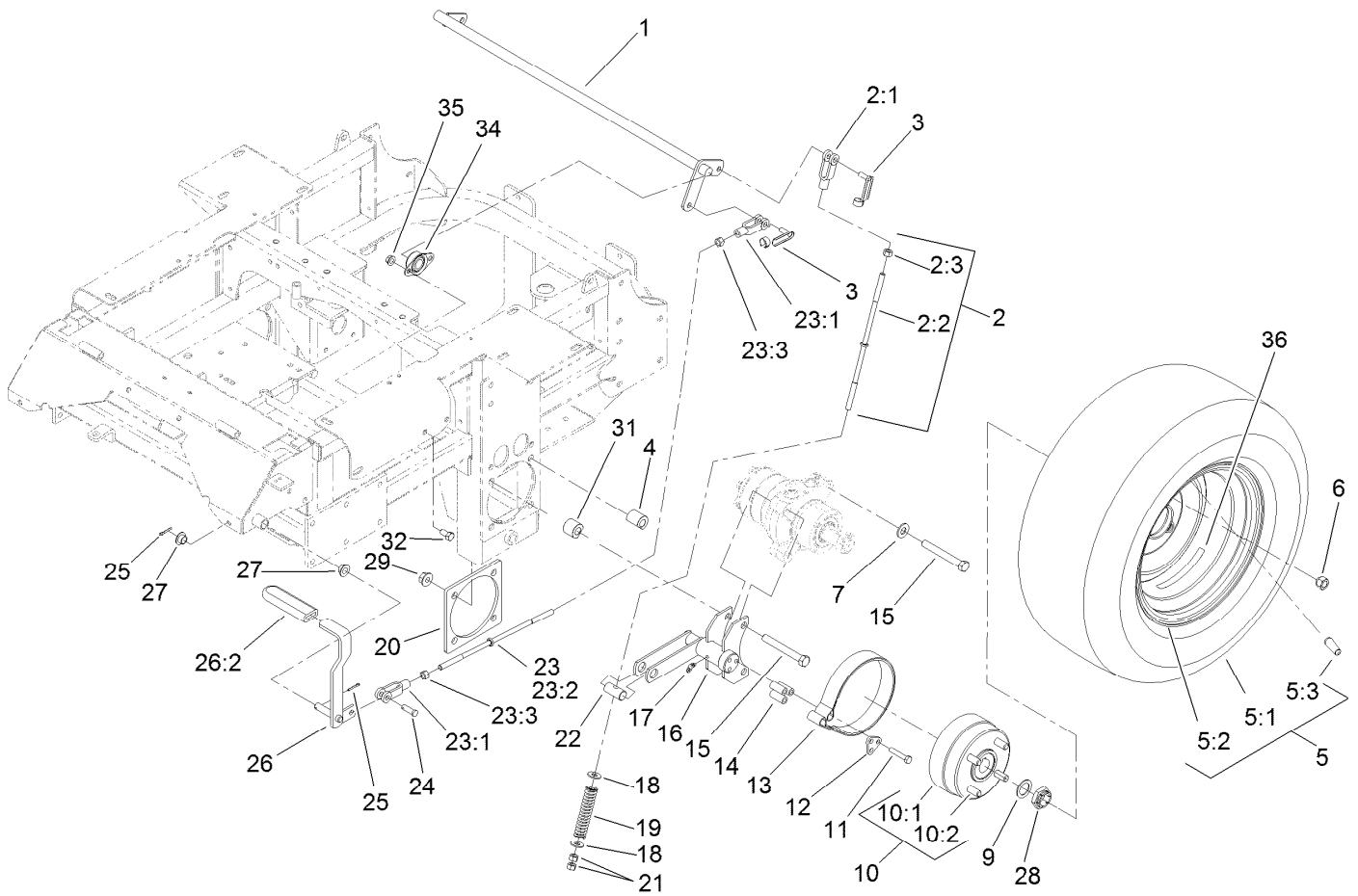
● Not illustrated

■ Not serviced separately



Main Frame and Rear Wheel Assembly

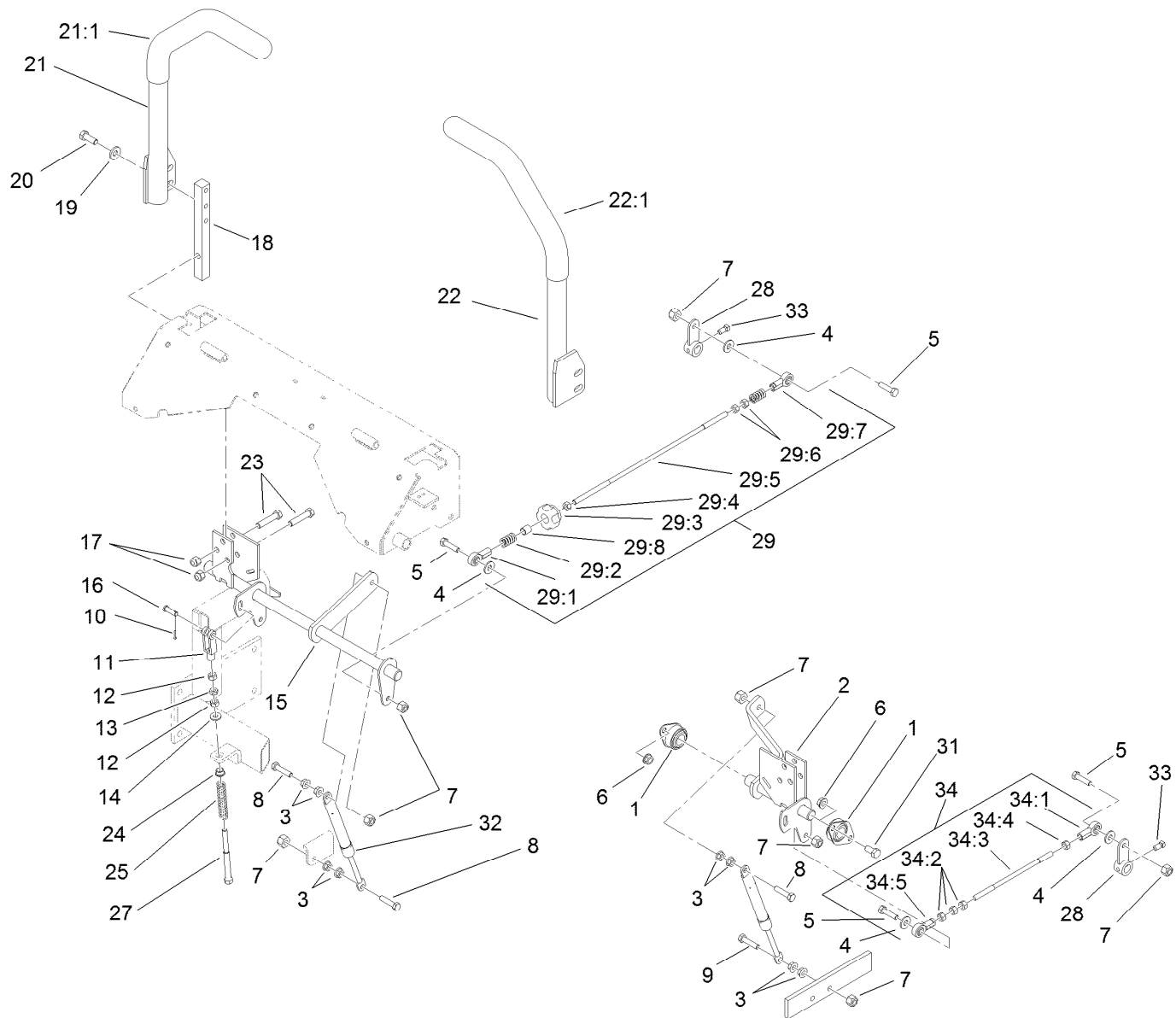
Ref.	Part Number	Qty.	Description	Ref.	Part Number	Qty.	Description
1	1-632217-03	1	Shaft-Brake	15	325-18	8	Screw-HH
2	108-5963	2	Brake Rod ASM	16	103-0352-03	2	Bracket-Brake
2:1	1-633131	1	Yoke-Linkage, Brake	17	1481	2	Fitting-Grease
2:2	108-5980	1	Rod-Brake	18	3256-4	4	Washer-Flat
2:3	3219-3	1	Nut-Hex	19	1-633454	2	Spring-Brake
3	103-2399	3	Pin-Spring, Clevis	20	103-3271-03	2	Plate-Reinforcement
4	114-1185	4	Spacer-Wheel, Long	21	3219-3	4	Nut-Hex
5	1-653010	2	Wheel And Tire ASM	22	1-633144	2	Pin-Trunion
5:1	1-653160	1	Tire	23	108-5962	1	Brake Rod ASM
5:2	1-653158	1	Wheel	23:1	1-633131	2	Yoke-Linkage, Brake
5:3	232-27	1	Stem-Valve	23:2	1-633477	1	Rod-Brake
6	242-50	8	Nut-Lug	23:3	3219-3	2	Nut-Hex
7	87-7270	4	Washer-Thrust	24	1-808285	1	Pin-Clevis
9	1-523157	2	Washer-Spacer	25	3272-10	2	Pin-Cotter
10	103-0590	2	Wheel Hub ASM	26	1-634500	1	Brake Lever ASM
10:1	103-0589	1	Hub-Wheel	26:2	1-633268	1	Grip-Lever
10:2	1-633926	4	Stud-Wheel	27	1-513140	2	Bearing-Control
11	322-9	6	Screw-HH	28	116-1399	2	Locknut
12	103-0374	2	Retainer-Band, Brake	29	32128-49	8	Nut-HHF
13	103-0355	2	Band-Brake	31	114-1184	4	Spacer-Wheel, Short
14	103-0384	6	Spacer	32	323-4	4	Screw-HH



Main Frame and Rear Wheel Assembly (continued)

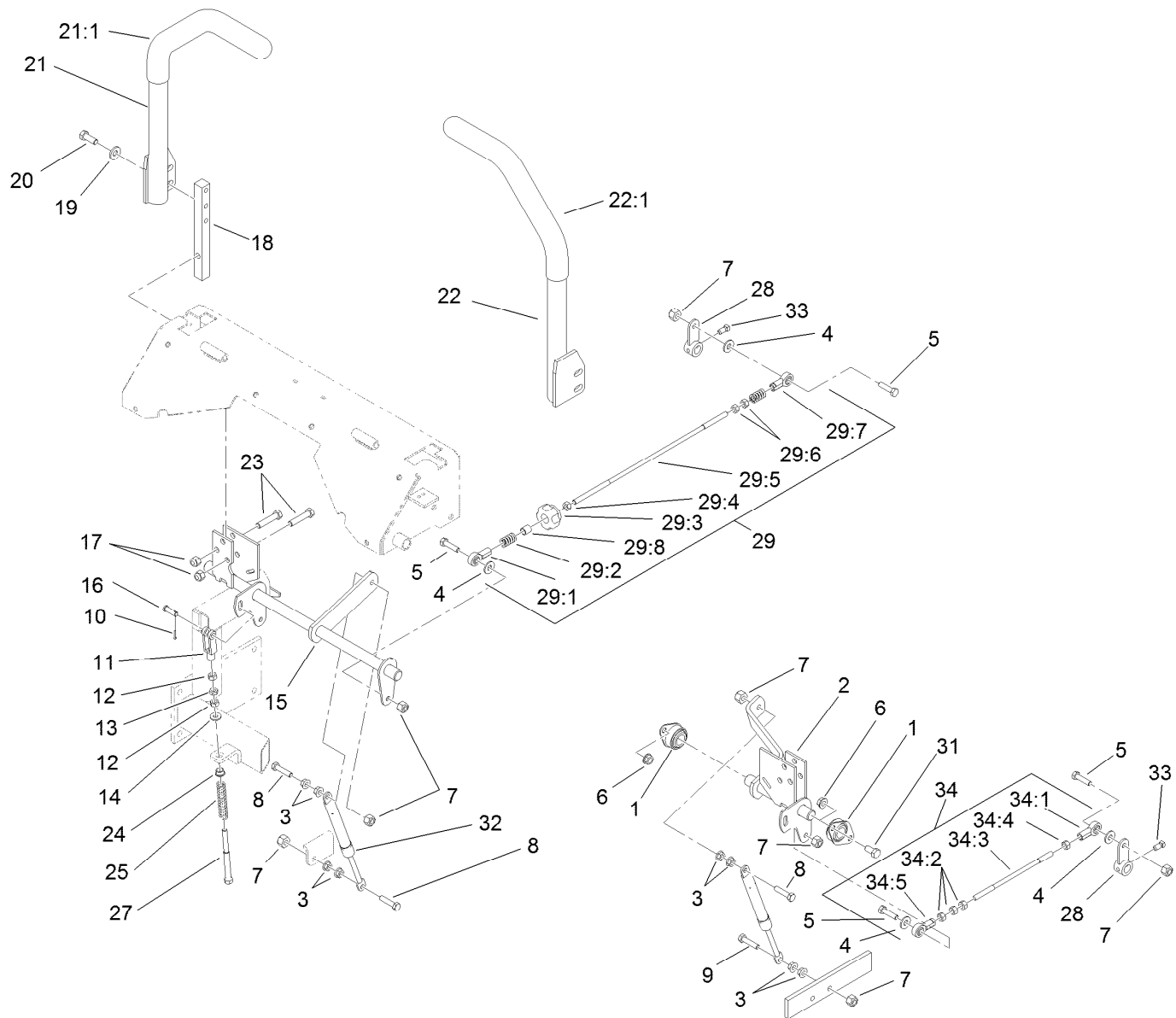
Ref.	Part Number	Qty.	Description
34	1-633102	2	Bearing-Flange, Side

Ref.	Part Number	Qty.	Description
35	3290-357	4	Nut-HHF, Whiz
36	126-2055	2	Decal-Torque, Wheel Hub Lug



Hydro Control Assembly

Ref.	Part Number	Qty.	Description	Ref.	Part Number	Qty.	Description
1	1-633102	4	Bearing-Flange, Side	21:1	106-9987	1	Grip-Control, Motion
2	107-3480	1	Control-Motion, LH	22	108-7238	1	LH Lever ASM
3	32128-20	10	Nut-HF	22:1	106-9987	1	Grip-Control, Motion
4	3256-3	4	Washer-Flat	23	323-9	6	Screw-HH
5	322-6	4	Screw-HH	24	1-603735	2	Bushing-Flanged
6	3290-357	6	Nut-HHF, Whiz	25	1-603807	2	Spring-Return, Neutral
7	3296-29	8	Nut-Lock, NI	27	1-603737	2	Bolt-Return, Neutral
8	1-403180	3	Screw-HH	28	107-3470-03	2	Arm-Control, Hydraulic
9	322-41	1	Screw-HH	29	107-3474	1	RH Control Rod ASM
10	3272-5	2	Pin-Cotter	29:1	1-543017	1	Balljoint-RH
11	1-303105	2	Yoke-Adjustable	29:2	1-323245	2	Spring-Compression
12	3219-2	4	Nut-Hex	29:3	103-3060	1	Knob-Tracking
13	3220-2	2	Nut-Jam	29:4	3219-2	1	Nut-Hex
14	3256-2	2	Washer-Flat	29:5	107-3472	1	Rod-Control, RH
15	107-3481	1	Control-Motion, RH	29:6	1-804524	2	Nut
16	1-808280	2	Pin-Clevis	29:7	1-633152	1	Balljoint-LH
17	3296-39	6	Nut-Lock, NI	29:8	103-1166	1	Spacer-Tube, Pump Link
18	103-0407	2	Arm-Shaft, Control	31	323-4	6	Screw-HH
19	98-5975	4	Washer-Belleville	32	109-2339	2	Damper-Control, Motion
20	323-6	4	Screw-HH	33	1-803022	2	Screw-Set
21	108-7237	1	RH Lever ASM	34	107-3475	1	LH Control Rod ASM

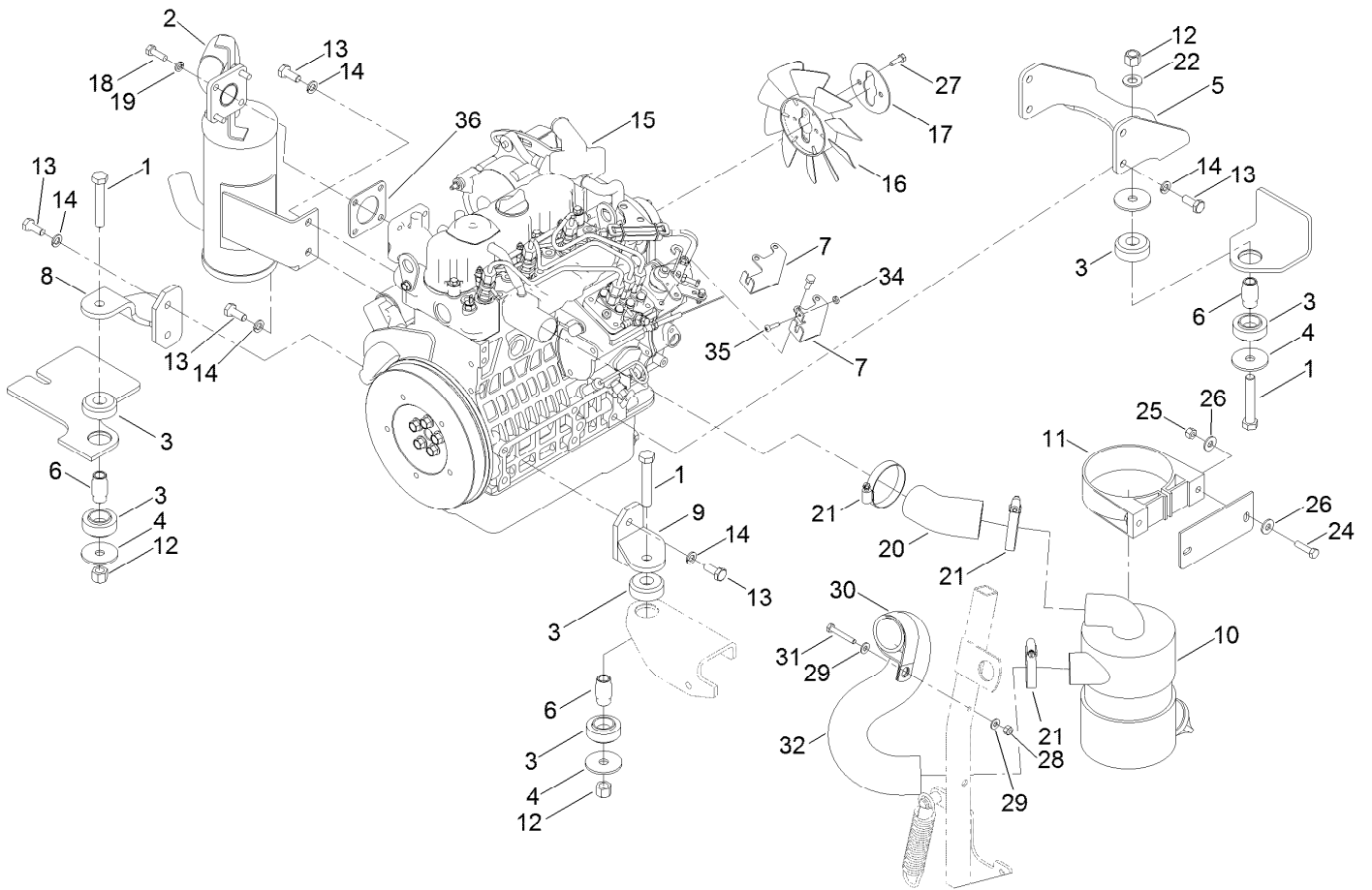


Hydro Control Assembly (continued)

<i>Ref.</i>	<i>Part Number</i>	<i>Qty.</i>	<i>Description</i>
34:1	1-543017	1	Balljoint-RH
34:2	3219-2	3	Nut-Hex
34:3	107-3473	1	Rod-Control, LH

<i>Ref.</i>	<i>Part Number</i>	<i>Qty.</i>	<i>Description</i>
34:4	1-804524	1	Nut
34:5	1-633152	1	Balljoint-LH

Engine, Exhaust and Air Intake Assembly



Engine, Exhaust and Air Intake Assembly (continued)

<i>Ref.</i>	<i>Part Number</i>	<i>Qty.</i>	<i>Description</i>	<i>Ref.</i>	<i>Part Number</i>	<i>Qty.</i>	<i>Description</i>
1	325-12	3	Screw-HH	18	33114-025	4	Screw-HH
2	107-9909	1	Muffler	19	3253-4	4	Washer-Lock
3	107-9914	3	Isolation Mount ASM	20	108-5371	1	Hose-Intake, Air Cleaner
4	55-7960	4	Washer-Large	21	1-643009	3	Clamp-Hose
5	107-9917-03	1	Bracket-Engine Mount, Rear	22	3256-26	1	Washer-Flat
6	110-0300	3	Spacer	24	322-6	2	Screw-HH
7	108-5922	1	Bracket-Support, Throttle	25	3296-29	2	Nut-Lock, NI
8	107-9920-03	1	Support-Engine, RH	26	3256-23	4	Washer-Plain
9	107-9930-03	1	Support-Engine, LH	27	33113-020	2	Screw-HH
10	93-2190	1	Air Cleaner ASM	28	3296-42	1	Nut-Lock, NI
11	95-5806	1	Bracket-Mounting, Air Cleaner	29	3256-22	2	Washer-Flat
12	3296-23	3	Nut-Lock, NI	30	1-643241	1	Clip-Loom
13	43-0090	10	Screw-HH	31	321-10	1	Screw-HH
14	48-9590	10	Washer-Lock	32	108-5370	1	Hose-Intake, Engine
15	138-6912	1	Engine-Kubota, D902	34	3217-26	1	Nut-Hex
16	110-0814	1	Fan	35	110-0863	1	Screw
17	110-0816	1	Plate-Reatainer, Fan	36	99-8343	1	Gasket-Muffler

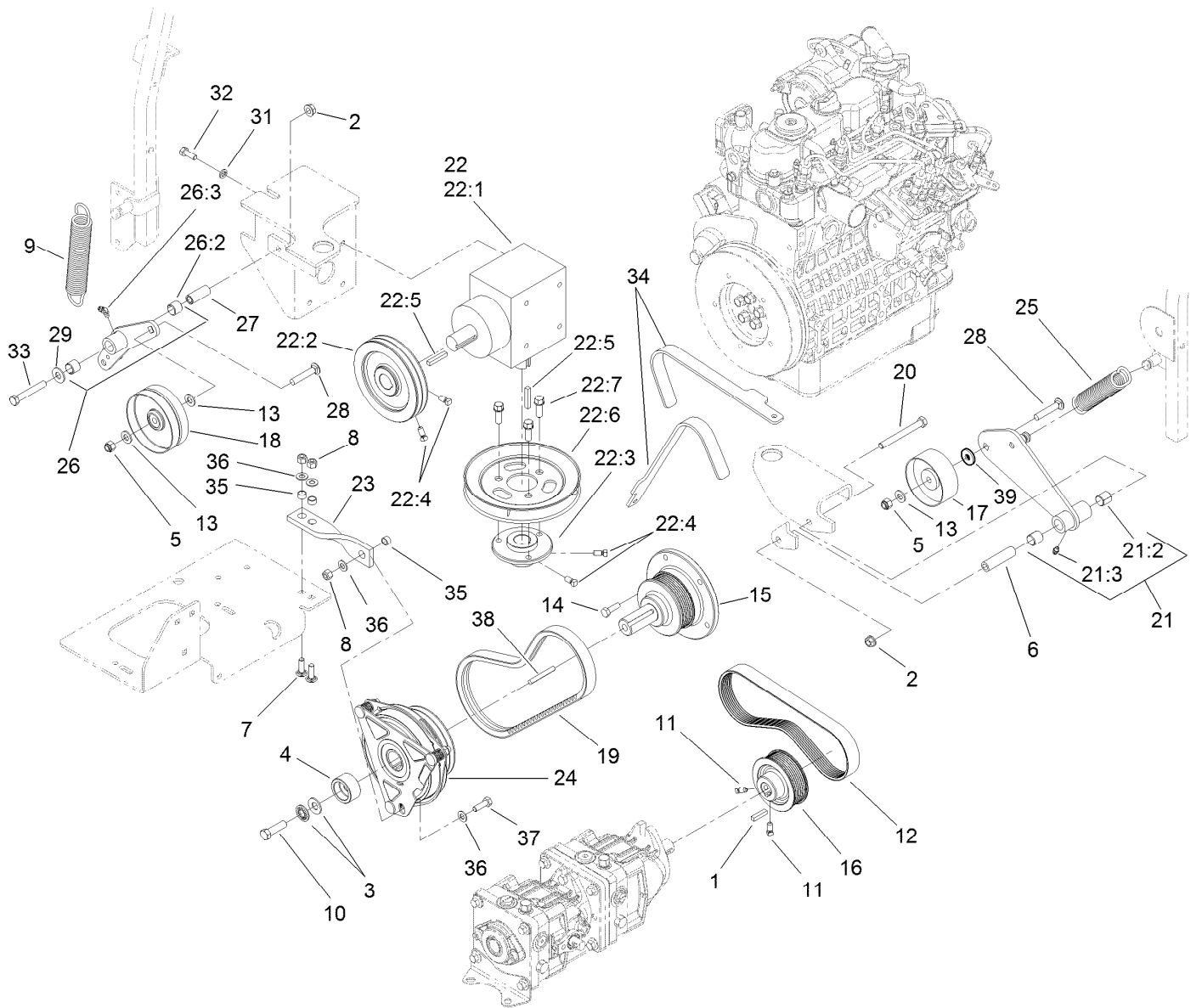
Air Cleaner Assembly No. 93-2190



Air Cleaner Assembly No. 93-2190 (continued)

<i>Ref.</i>	<i>Part Number</i>	<i>Qty.</i>	<i>Description</i>
2	108-3811	1	Filter-Air
3	94-3652	1	Cover ASM
3:1	1-643283	2	Latch-Cleaner, Air

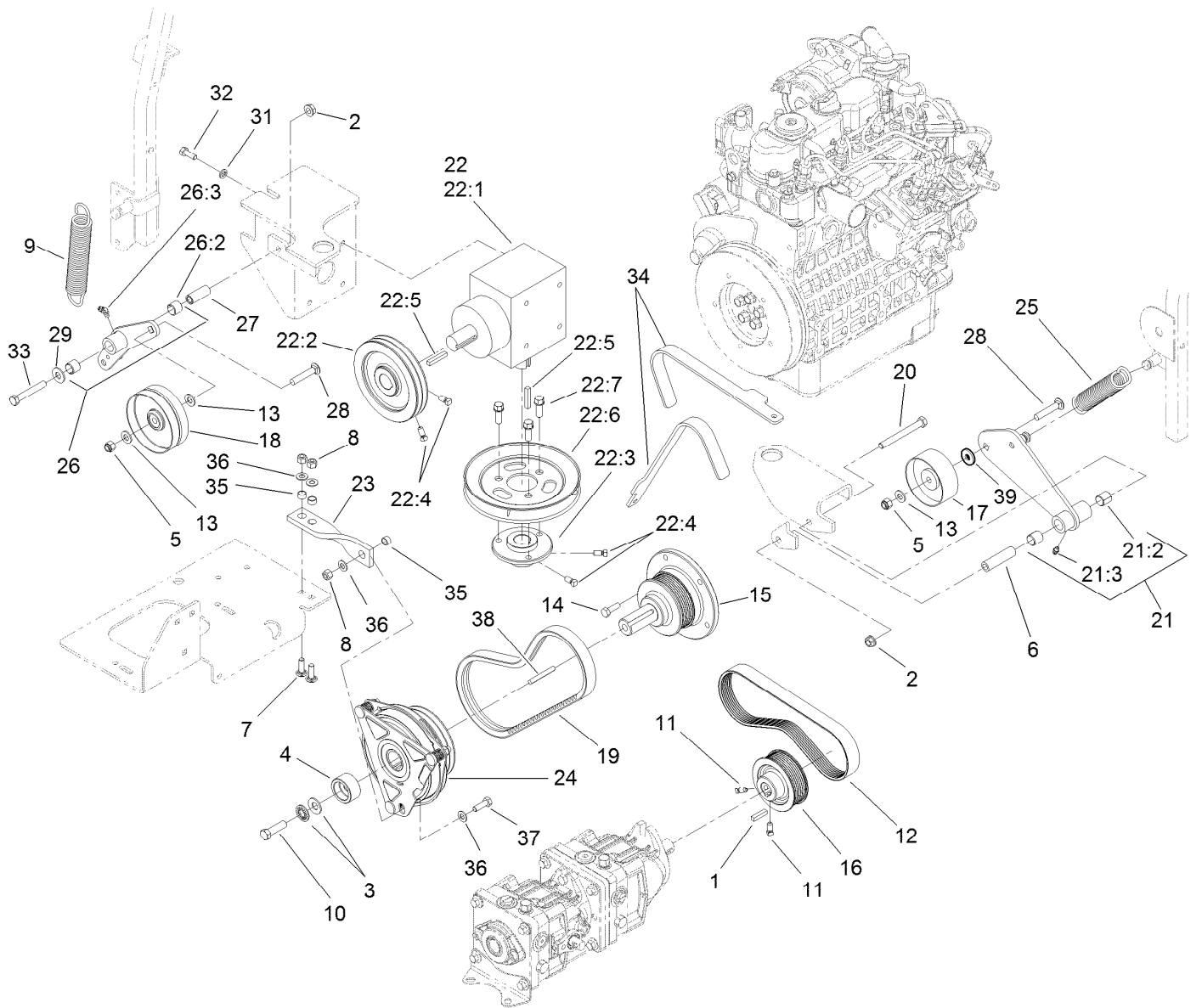
<i>Ref.</i>	<i>Part Number</i>	<i>Qty.</i>	<i>Description</i>
4	87-9400	1	Valve-Vacuator
5	285-17	1	Plug-Pipe



Gearbox, Clutch and Pulley Assembly

Ref.	Part Number	Qty.	Description	Ref.	Part Number	Qty.	Description
1	5-0698	1	Key	19	110-0805	1	Belt-V
2	3290-357	2	Nut-HHF, Whiz	20	323-15	1	Screw-HH
3	1-603610	2	Washer-Spring	21	108-5939	1	Pump Idler Arm ASM
4	114-8152	1	Retainer-Clutch	21:2	1-513034	2	Sleeve-Bearing
5	3296-39	2	Nut-Lock, NI	21:3	302-5	1	Fitting-Grease
6	1-603384	1	Bushing-Pivot, Idler	22		1	Gearbox ASM ●
7	3230-22	2	Screw-CARR	22:1	107-9887	1	Gearbox-90 DEG
8	3296-29	3	Nut-Lock, NI	22:2	108-5912	1	Pulley
9	119-0392	1	Spring-Extension	22:3	112-3894	1	Hub-Pulley
10	3212-6	1	Screw-HH	22:4	1-803022	4	Screw-Set
11	1-803022	2	Screw-Set	22:5	67-7490	2	Key-Square
12	107-9910	1	Belt-V	22:6	108-5979	1	Pulley-B Section
13	3256-24	4	Washer-Flat	22:7	92-1624	3	Screw-HWH
14	33114-020	5	Screw-HH	23	112-1781	1	Strap-Stop, Clutch
15	112-2335	1	Shaft-Stub	24	112-2320	1	Clutch-Magnetic
16	108-5976	1	Pulley	25	119-0394	1	Spring-Extension
17	108-5910	1	Pulley-Flat	26	112-2354	1	Gearbox Idler ASM (W/Bearings)
18	110-0803	1	Pulley-Flat				

● Not serviced separately

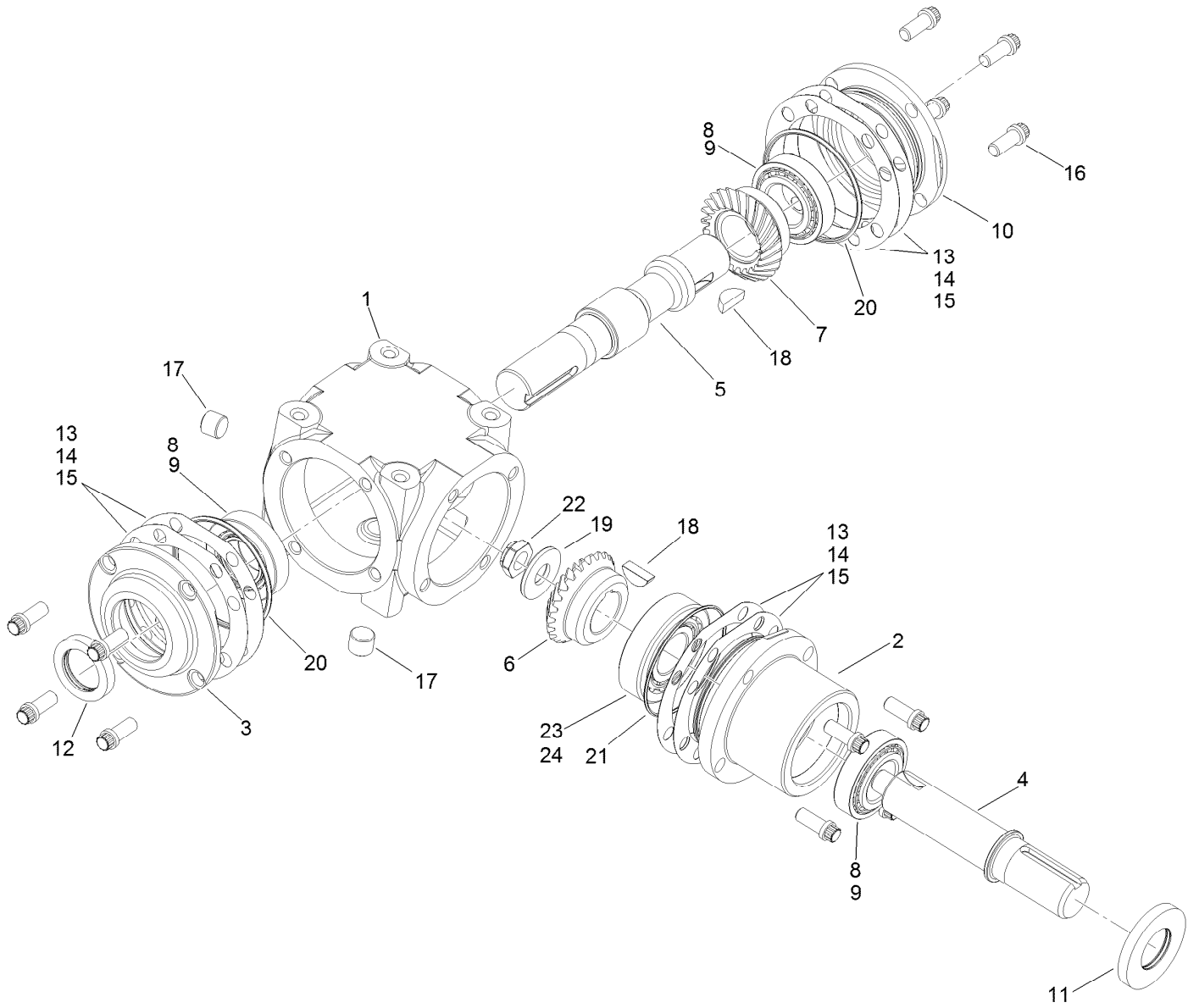


Gearbox, Clutch and Pulley Assembly (continued)

Ref.	Part Number	Qty.	Description	Ref.	Part Number	Qty.	Description
26:2	103-4681	2	Sleeve-Bearing	33	323-12	1	Screw-HH
26:3	1481	1	Fitting-Grease	34	110-0876	1	Tool-Alignment, Pulley
27	1-603044	1	Bushing	35	65-9820	3	Spacer
28	3231-6	2	Screw-CARR	36	3256-23	4	Washer-Plain
29	3256-4	1	Washer-Flat	37	322-5	1	Screw-HH
31	3253-4	4	Washer-Lock	38	5-1336	1	Key-Square
32	322-4	4	Screw-HH	39	1-373034	1	Washer

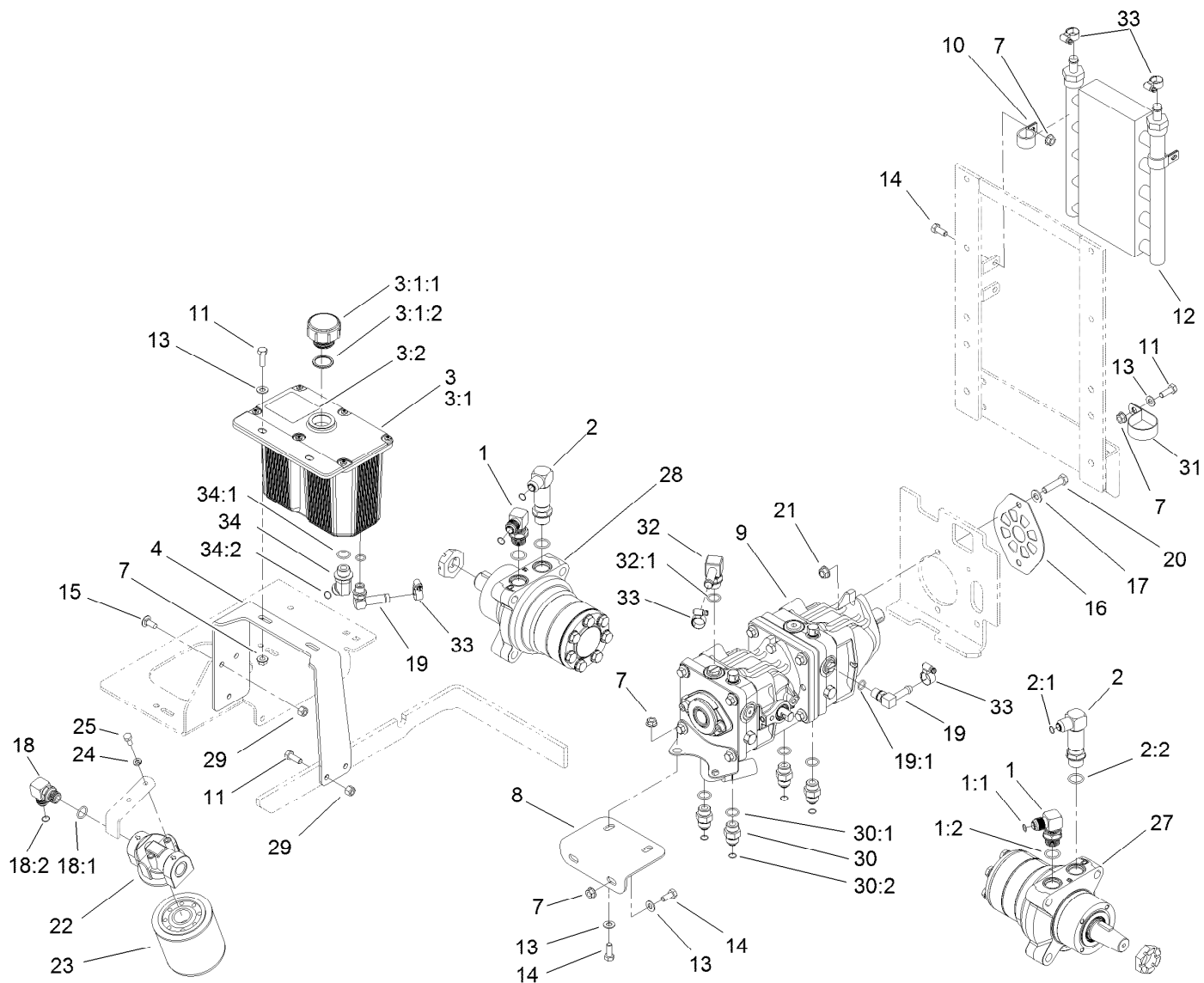
● Not serviced separately

Gearbox Assembly No. 107-9887



Gearbox Assembly No. 107-9887 (continued)

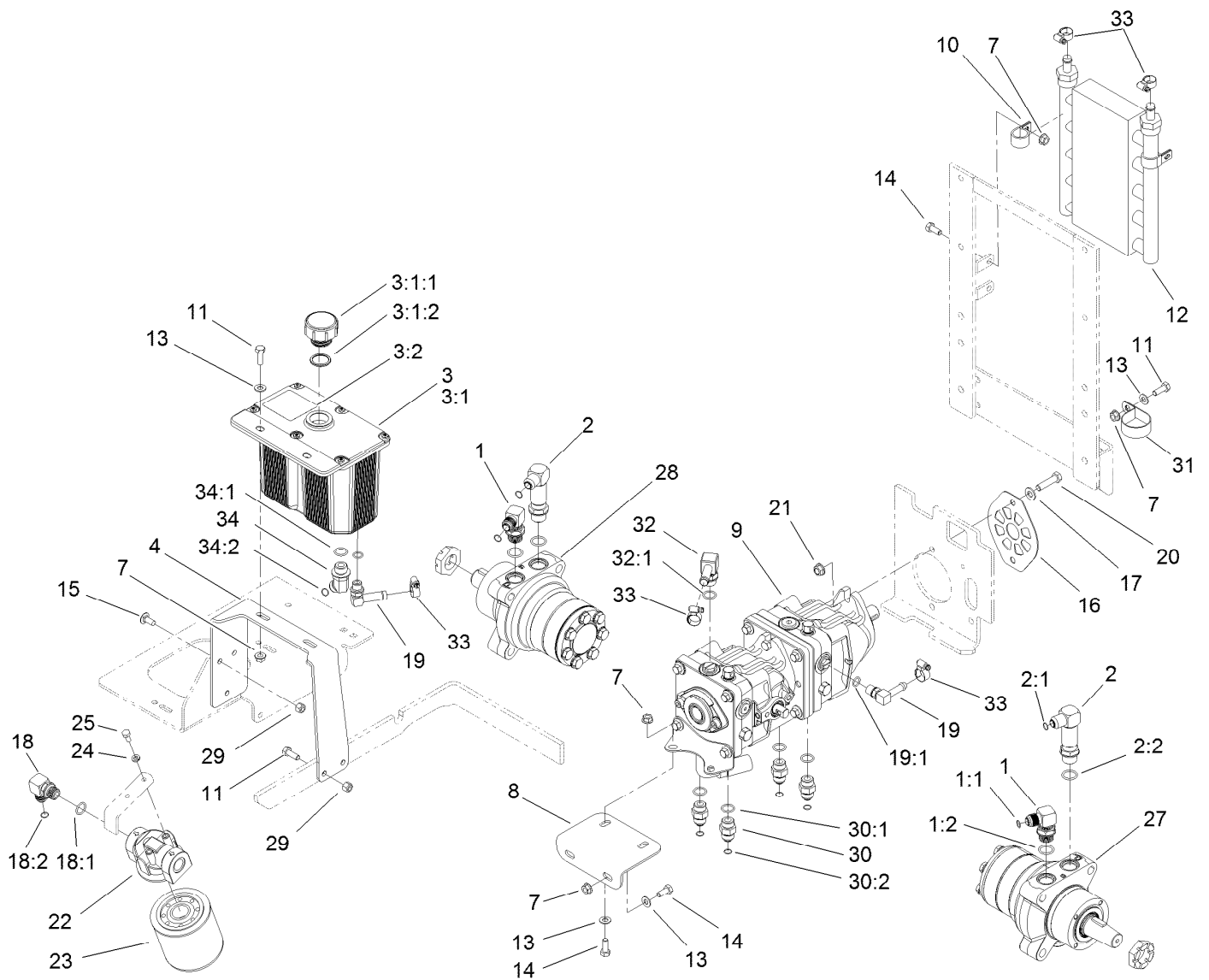
<i>Ref.</i>	<i>Part Number</i>	<i>Qty.</i>	<i>Description</i>	<i>Ref.</i>	<i>Part Number</i>	<i>Qty.</i>	<i>Description</i>
1	110-0843	1	Case	13	100-4591	1	Shim-Brown, .010In
2	110-0853	1	Housing-Pinion	14	100-4592	1	Shim-Blue, .005In
3	100-4566	1	Cap-End, Open	15	100-4593	1	Shim-Green, .003In
4	110-0844	1	Shaft-Pinion	16	100-4578	12	Screw
5	110-0845	1	Shaft-Cross	17	100-4579	2	Plug
6	110-0847	1	Gear-Shaft, Cross	18	3257-33	2	Key-Woodruff
7	110-0846	1	Gear-Pinion	19	100-4581	1	Washer
8	110-0848	3	Bearing-Cup	20	100-4582	2	O-Ring
9	110-0849	3	Bearing-Cone	21	110-0851	1	O-Ring
10	100-4574	1	Cap-End, Closed	22	110-0852	1	Nut Lock
11	100-4575	1	Seal	23	100-5817	1	Bearing-Cup
12	110-0850	1	Seal-Shaft, Cross	24	100-5816	1	Bearing-Cone



Hydraulic Tank, Pump and Motor Assembly

Ref.	Part Number	Qty.	Description	Ref.	Part Number	Qty.	Description
1	1-633605	2	Fitting-HYD, 90 DEG	13	3256-23	7	Washer-Plain
1:1	1-603992	1	O-Ring	14	322-3	8	Screw-HH
1:2	237-80	1	O-Ring	15	3230-23	3	Screw-CARR
2	108-5323	2	Fitting-Elbow-90	16	108-5367-03	1	Plate-Shield, Pump
2:1	1-603992	1	O-Ring	17	3256-24	2	Washer-Flat
2:2	237-80	1	O-Ring	18	103-2153	1	Fitting-90 DEG
3	108-5320	1	Hydraulic Tank ASM	18:1	1-603920	1	O-Ring
3:1		1	Tank-Hydraulic ●	18:2	1-603992	1	O-Ring
3:1:1	103-1948	1	Cap-Reservoir, HYD	19	109-6449	2	Fitting-Elbow, 90
3:1:2	103-1949	1	Gasket-Cap	19:1	237-42	1	O-Ring
3:2	115-4212	1	Decal-Warning	20	323-8	2	Screw-HH
4	108-5352-03	1	Bracket-Tank, Hydraulic	21	3290-357	2	Nut-HHF, Whiz
7	32128-20	11	Nut-HF	22	86-9080	1	Head-Filter
8	107-3462-03	1	Bracket-Pump, Front	23	67-8110	1	Cartridge-Filter, Oil
9	107-9885	1	Tandem Pump ASM	24	1-805004	2	Washer-Lock
10	110-0824	4	R-Clamp	25	321-3	2	Screw-HH
11	322-5	4	Screw-HH	27	112-8357	1	HYD Motor ASM (CCW)
12	114-8168	1	Cooler-Oil, Hydro	28	112-8358	1	HYD Motor ASM (CW)

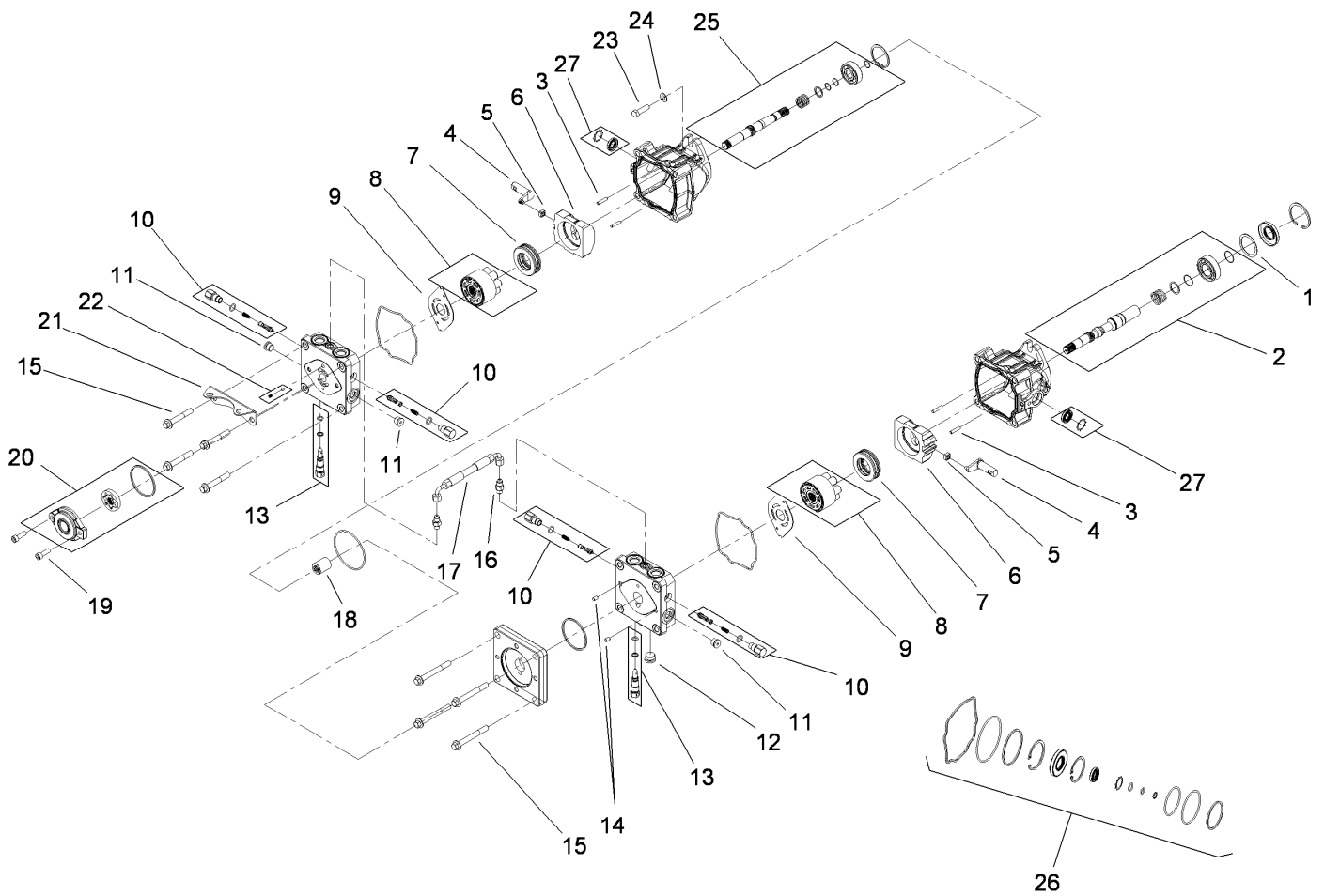
● Not serviced separately



Hydraulic Tank, Pump and Motor Assembly (continued)

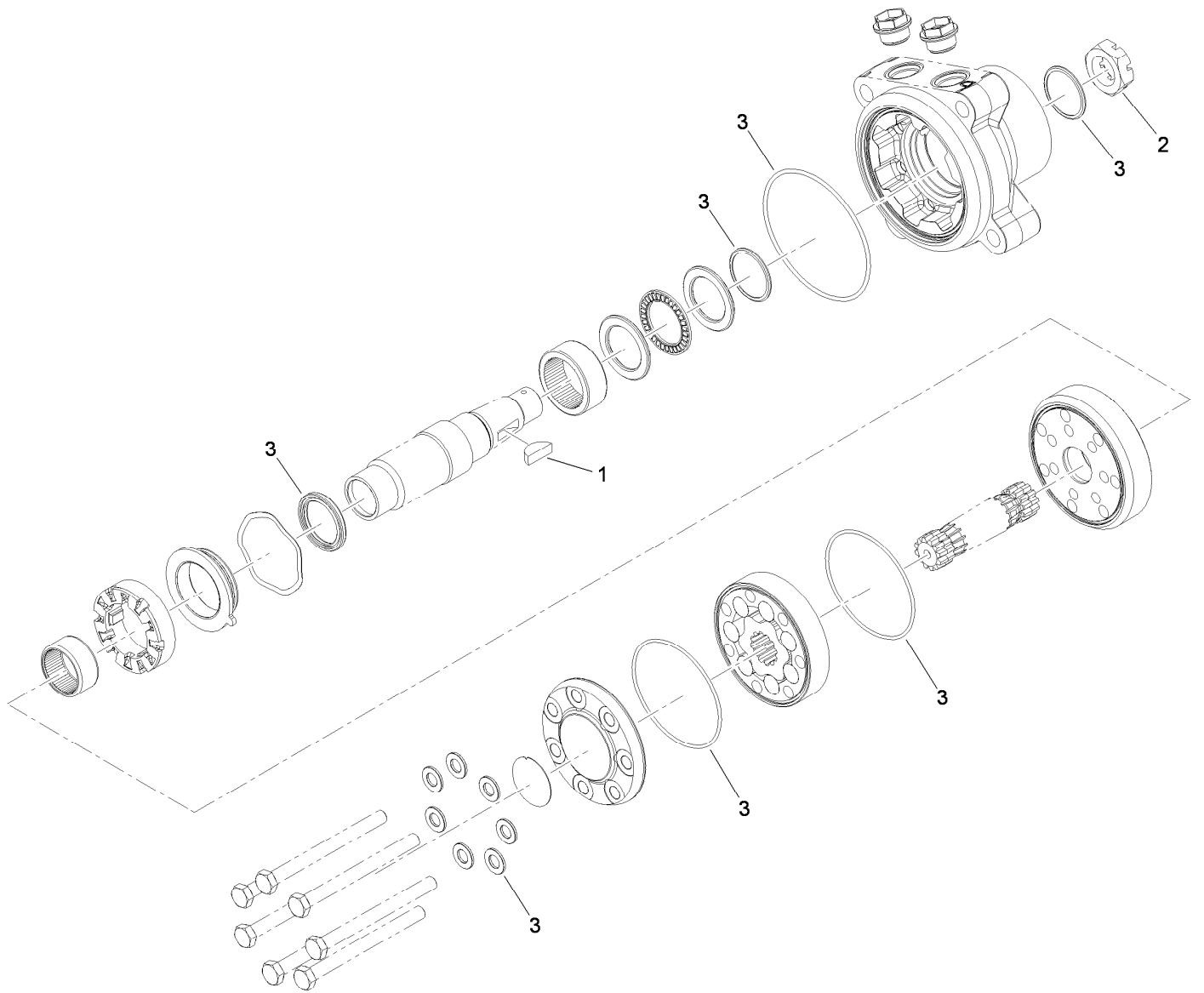
<i>Ref.</i>	<i>Part Number</i>	<i>Qty.</i>	<i>Description</i>	<i>Ref.</i>	<i>Part Number</i>	<i>Qty.</i>	<i>Description</i>
29	3296-29	4	Nut-Lock, NI	32:1	237-79	1	O-Ring
30	1-603990	4	Fitting-Straight	33	109-6801	5	Clamp-Hose
30:1	1-603920	1	O-Ring	34	1-523221	1	Fitting-HYD, 45 DEG
30:2	1-603992	1	O-Ring	34:1	1-603920	1	O-Ring
31	2412-147	1	Clamp-R	34:2	1-603992	1	O-Ring
32	108-5316	1	Fitting-Elbow, 90 DEG				

● Not serviced separately



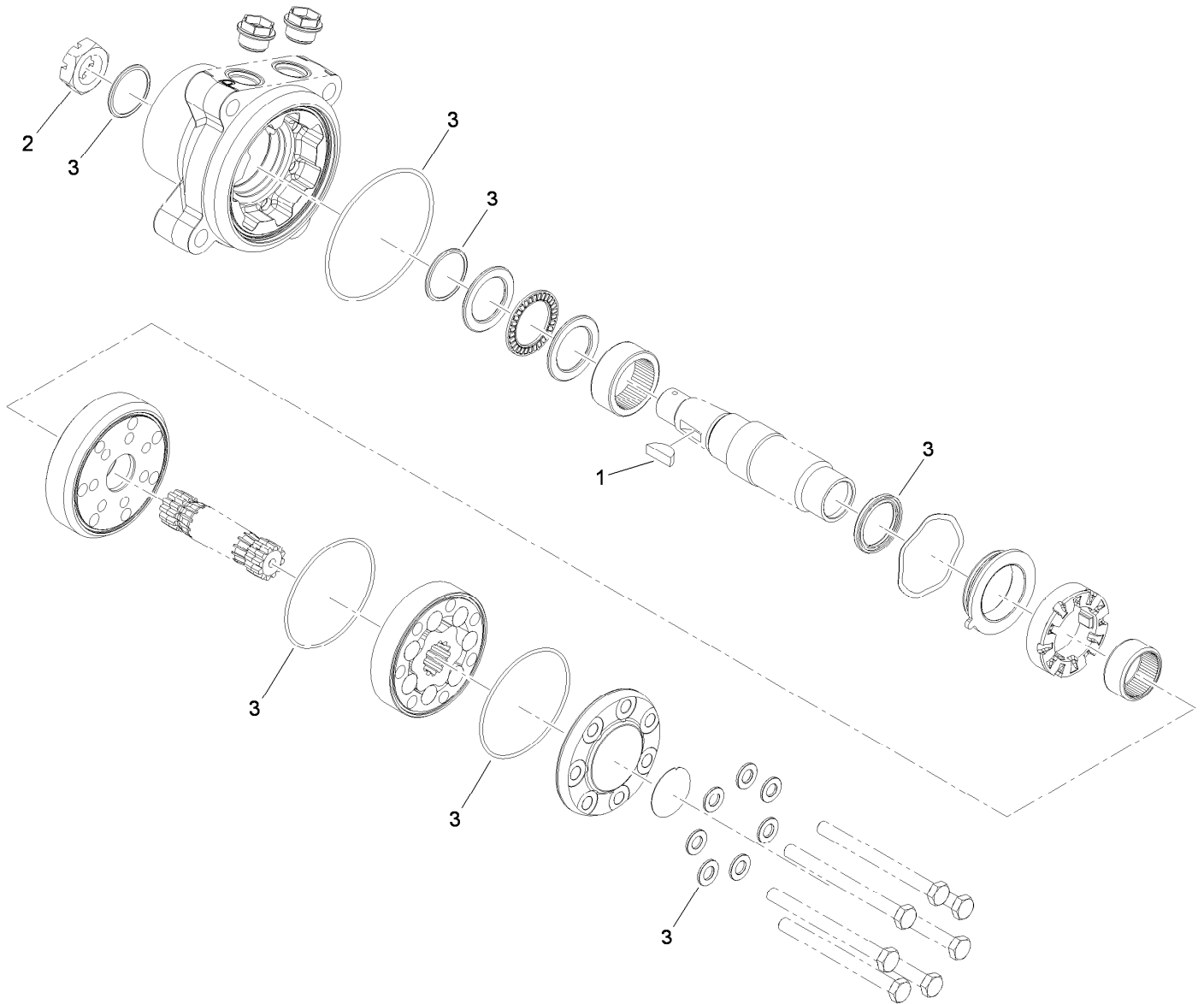
Tandem Pump Assembly No. 107-9885

Ref.	Part Number	Qty.	Description	Ref.	Part Number	Qty.	Description
1	112-4168	1	Spacer	15	112-4157	8	Bolt
2	112-4151	1	Input Pump Shaft Kit	16	117-7842	2	Fitting-Straight
3	106-8753	4	Pin-Headless, Straight	17	117-7843	1	Hose ASM
4	112-4152	2	Arm-Trunnion	18	112-4160	1	Coupling
5	94-1910	2	Guide-Slot	19	112-4161	2	Bolt
6	112-4153	2	Swashplate	20	112-4162	1	Charge Pump Kit
7	112-4154	2	Bearing-Thrust	21	112-4163	1	Bracket-Support, Pump
8	108-2112	2	Cylinder Block Kit	22	112-4164	1	Charge Relief Kit
9	108-6801	2	Plate-Valve	23	112-4165	2	Bolt-HSH
10	112-4155	4	Shock Valve Kit	24	112-4166	2	Washer
11	104-2189	3	Plug-Thread, Straight	25	112-4167	1	Second Pump Shaft Kit
12	112-4156	1	Plug-Steel	26	112-4150	1	Overhaul Seal Kit
13	106-8759	2	Bypass Valve Kit	27	114-8155	1	Trunnion Seal Kit
14	104-2170	2	Pin				



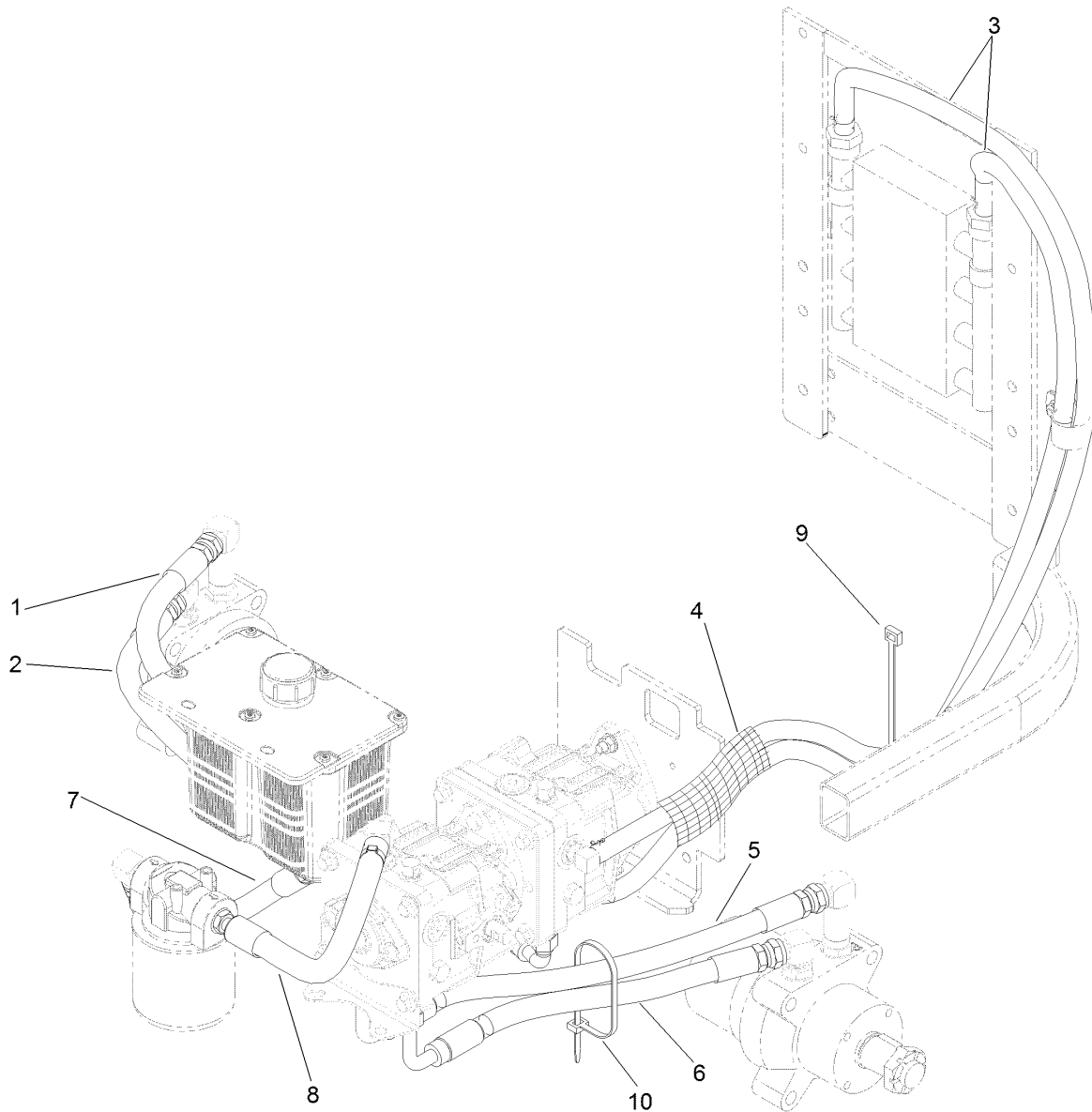
Hydraulic Motor Assembly No. 112-8357 (CCW)

<i>Ref.</i>	<i>Part Number</i>	<i>Qty.</i>	<i>Description</i>
1	3257-42	1	Key-Woodruff
2	1-809036	1	Nut-HH
3	109-5966	1	Wheel Motor Seal Kit



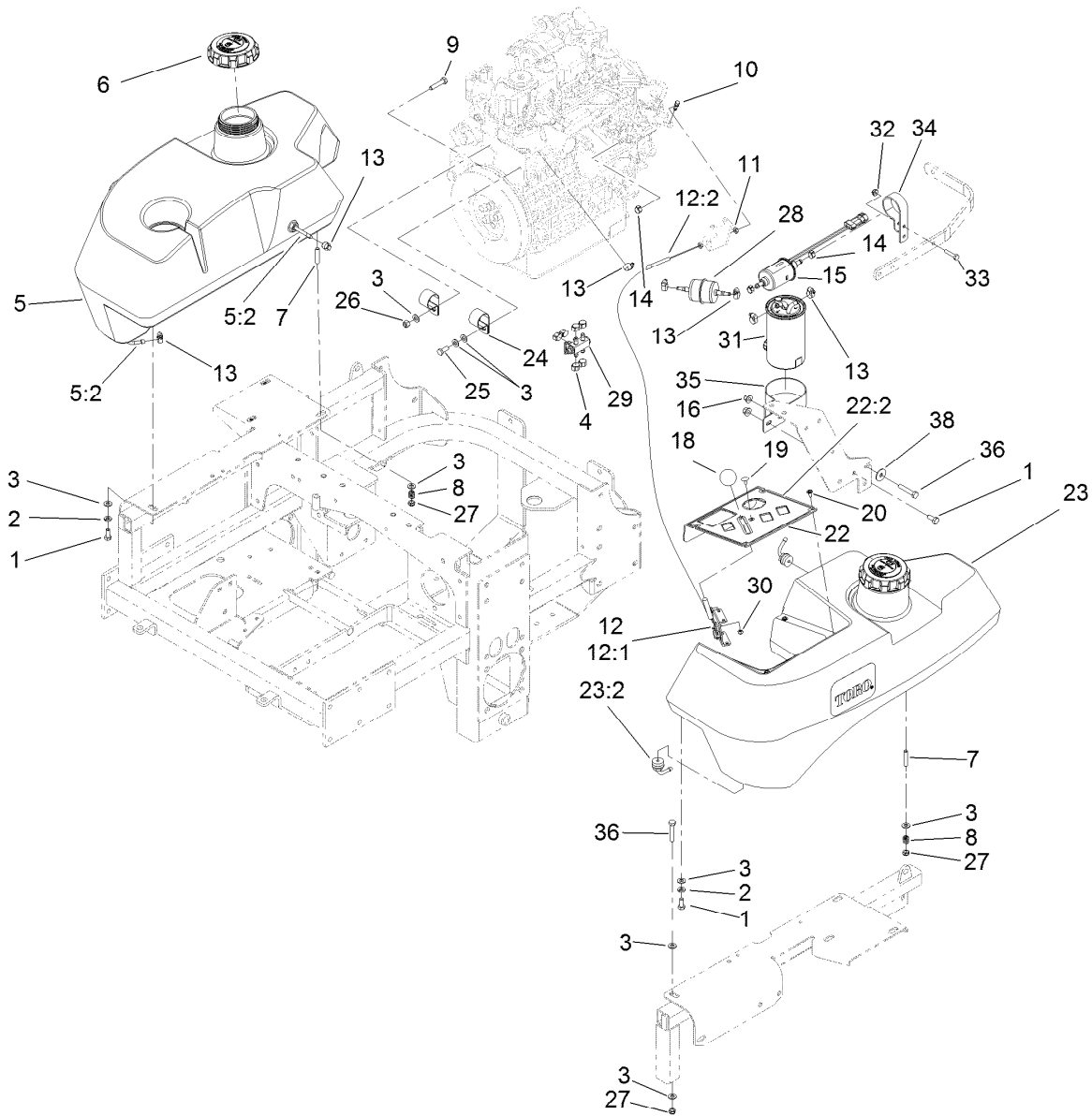
Hydraulic Motor Assembly No. 112-8358 (CW)

<i>Ref.</i>	<i>Part Number</i>	<i>Qty.</i>	<i>Description</i>
1	3257-42	1	Key-Woodruff
2	1-809036	1	Nut-HH
3	109-5966	1	Wheel Motor Seal Kit



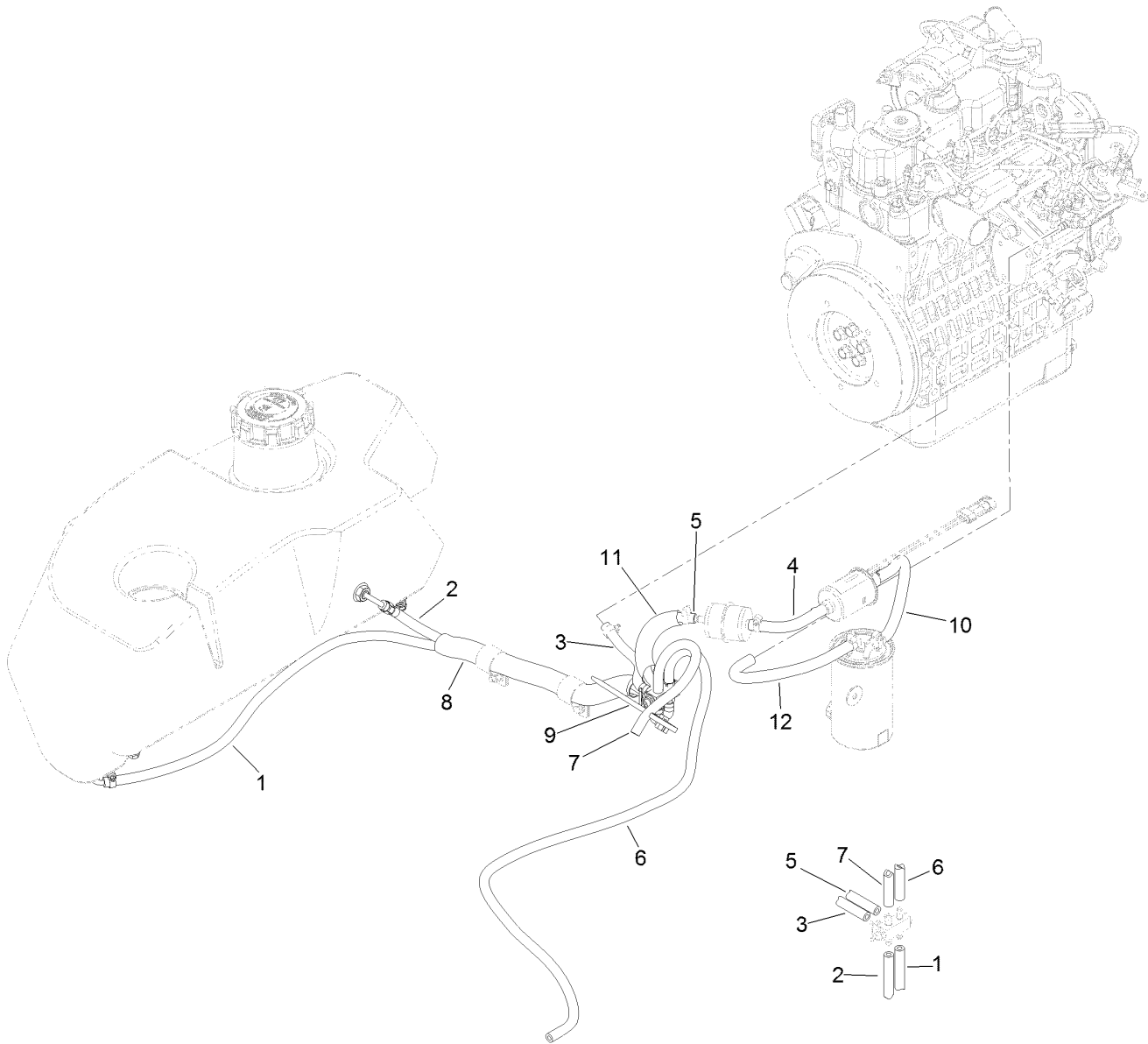
Hydraulic Hose System Assembly

Ref.	Part Number	Qty.	Description
1	107-3495	1	Hydraulic Hose ASM
2	107-3490	1	Hydraulic Hose ASM
3	114-8169	2	Hose-Hydraulic
4	114-8201	1	Sleeve-Fabric
5	108-5318	1	Hydraulic Hose ASM
6	107-3491	1	Hydraulic Hose ASM
7	110-3854	1	Hydraulic Hose ASM
8	108-5374	1	Hydraulic Hose ASM
9	1-303335	1	Tie-Plastic
10	1-809066	1	Cable Tie-Plastic



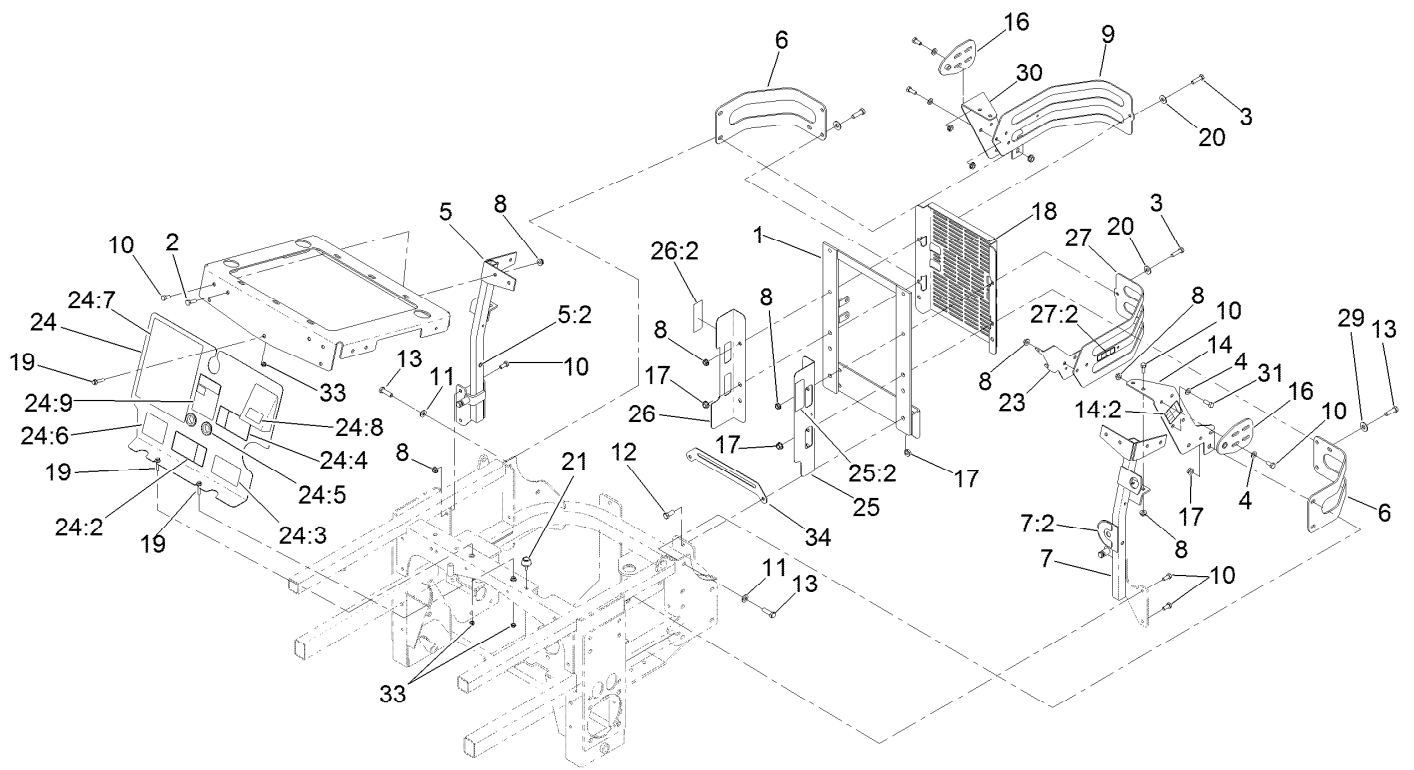
Fuel System and Throttle Control Assembly

Ref.	Part Number	Qty.	Description	Ref.	Part Number	Qty.	Description
1	322-3	3	Screw-HH	19	1-807513	2	Bolt-CARR
2	1-805005	2	Washer-Lock	20	109-2661	4	Screw-PPH
3	3256-23	11	Washer-Plain	22	117-0913	1	Control Panel ASM
4	1-643293	6	Clamp-Hose, Fuel	22:2	121-7562	1	Decal-Panel, Control
5	114-8221	1	RH Fuel Tank ASM	23	114-8222	1	LH Fuel Tank ASM
5:2	103-2615	2	Fitting-Fuel, Bulkhead	23:2	103-2615	2	Fitting-Fuel, Bulkhead
6	114-5062	2	Cap-Biodiesel	24	1-643312	2	Clip-Loom
7	1-633023	6	Stud	25	33114-020	1	Screw-HH
8	1-633349	6	Spring-Tank, Fuel	26	3296-29	1	Nut-Lock, NI
9	322-7	1	Screw-HH	27	3296-47	6	Nut-Lock, NI
10	108-5928	1	Swivel-Stop, Cable	28	112-7836	1	Filter-Inline
11	3220-1	2	Nut-Jam	29	1-643234	1	Valve-Fuel, Dual Flow
12	108-5927	1	Cable-Control, Throttle	30	3296-2	2	Nut-Lock, NI
12:1	112-2333	1	Lever-Cable, Throttle	31	112-9188	1	Element-Filter, Fuel/Water
12:2	108-6337	1	Cable-Throttle	32	104-7201	1	Nut-HF
13	2412-108	9	Clamp-Worm	33	321-8	1	Screw-HH
14	1-643277	3	Clamp-Hose, Fuel	34	110-8817	1	Bracket-Pump, Fuel
15	110-8806	1	Pump-Fuel	35	110-8807	1	Bracket-Filter, Fuel
16	3296-58	2	Nut-Lock, NI	36	322-9	1	Screw-HH
18	1-603175	1	Knob-Ball	38	3256-82	1	Washer-Flat



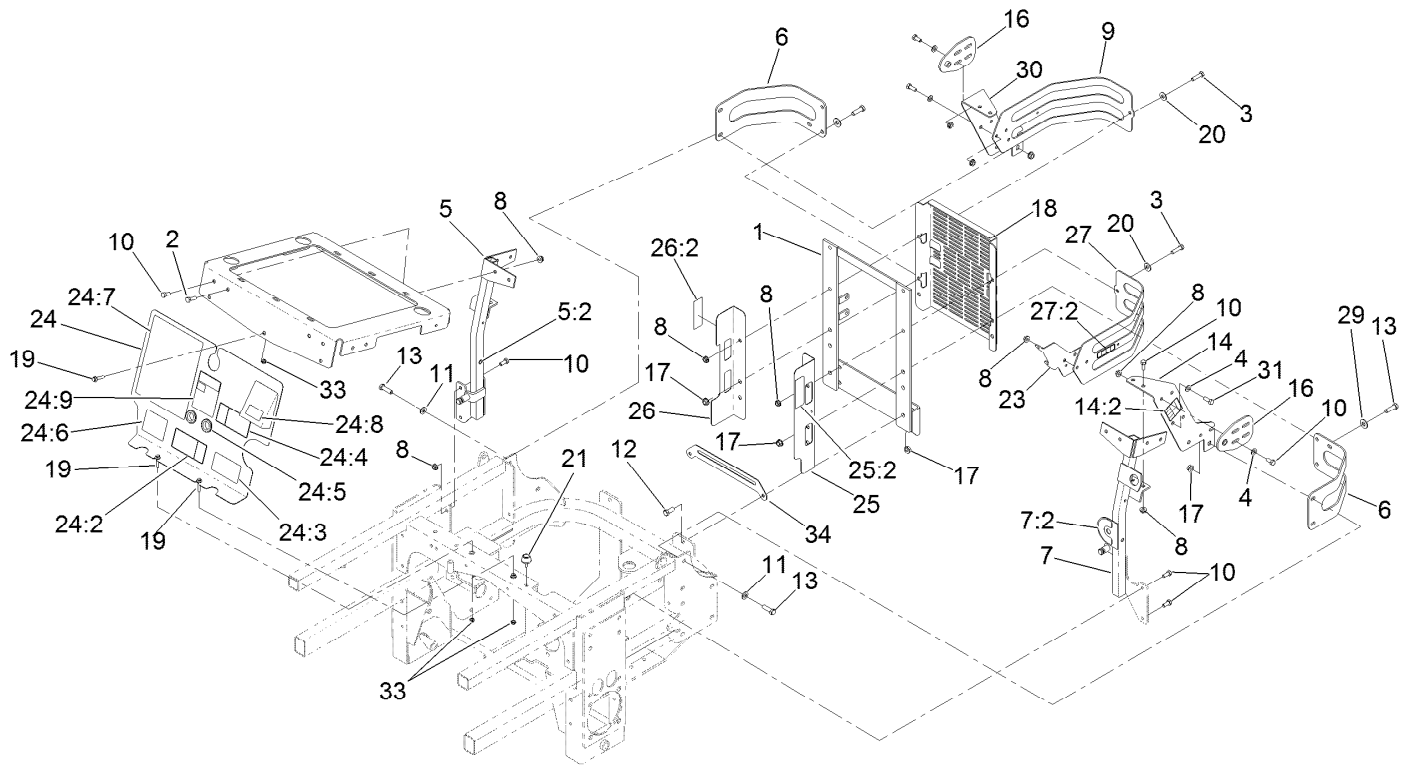
Fuel Line Assembly

Ref.	Part Number	Qty.	Description
1	108-5376	1	Hose-Fuel
2	109-0301	1	Hose-Fuel
3	109-0306	1	Hose-Fuel
4	108-3283	1	Hose-Fuel
5	109-0303	1	Hose-Fuel
6	109-0275	1	Hose-Fuel
7	109-0297	1	Hose-Fuel
8	108-5377	1	Sleeve-Fabric
9	1-303335	1	Tie-Plastic
10	110-4124	1	Hose-Fuel
11	114-8224	1	Conduit-Fuel Line
12	110-4105	1	Hose-Fuel



Engine Housing Assembly

<i>Ref.</i>	<i>Part Number</i>	<i>Qty.</i>	<i>Description</i>	<i>Ref.</i>	<i>Part Number</i>	<i>Qty.</i>	<i>Description</i>
1	107-9934-03	1	Support-Radiator, Rear	20	3256-3	2	Washer-Flat
2	322-5	2	Screw-HH	21	109-2365	2	Bumper-Rubber
3	322-6	2	Screw-HH	23	119-0393-03	1	Bracket-Relay, Fuse
4	3256-23	8	Washer-Plain	24	114-1829	1	Front Shield ASM
5	114-1170	1	RH Radiator Brace ASM	24:2	110-3853	1	Decal-Danger, Rotating Devices
5:2	32148-11	1	Nut-Clinch	24:3	140-4358	1	Decal-Hydro Belt Routing
6	131-8670-03	2	Guard-Lower, Rear	24:4	110-3852	1	Decal- Warning, Buzzer
7	110-3870	1	LH Radiator Brace ASM	24:5	100-3815	2	Grommet-Rubber
7:2	140-4356	1	Decal-Fuel Valve	24:6	140-4359	1	Decal-Clutch Belt Routing
8	32128-20	22	Nut-HF	24:7	140-4363	1	Decal-Check Service
9	131-8669-03	1	Guard-Upper, Rear	24:8	110-0806	1	Decal-Caution
10	322-3	14	Screw-HH	24:9	104-2449	1	Decal-Coolant
11	3256-24	3	Washer-Flat	25	110-0879	1	Guard-Fan, LH (CE)
12	323-6	3	Screw-HH	25:2	107-7719	1	Decal-Danger
13	323-7	4	Screw-HH	26	110-0888	1	Guard-Fan, RH (CE)
14	119-6650	1	LH Support Bracket ASM	26:2	107-7719	1	Decal-Danger
14:2	140-4361	1	Decal-Fuse	27	131-8738	1	Guard-Upper Rear W/Decal
16	108-5345-03	2	Plate-Pivot, Hood	27:2	140-4360	1	Decal-Relay
17	3290-357	7	Nut-HHF, Whiz	29	3256-4	2	Washer-Flat
18	112-8302-03	1	Shield-Cooler	30	108-5339-03	1	Bracket-Support, RH
19	3234-21	3	Screw-HHF				

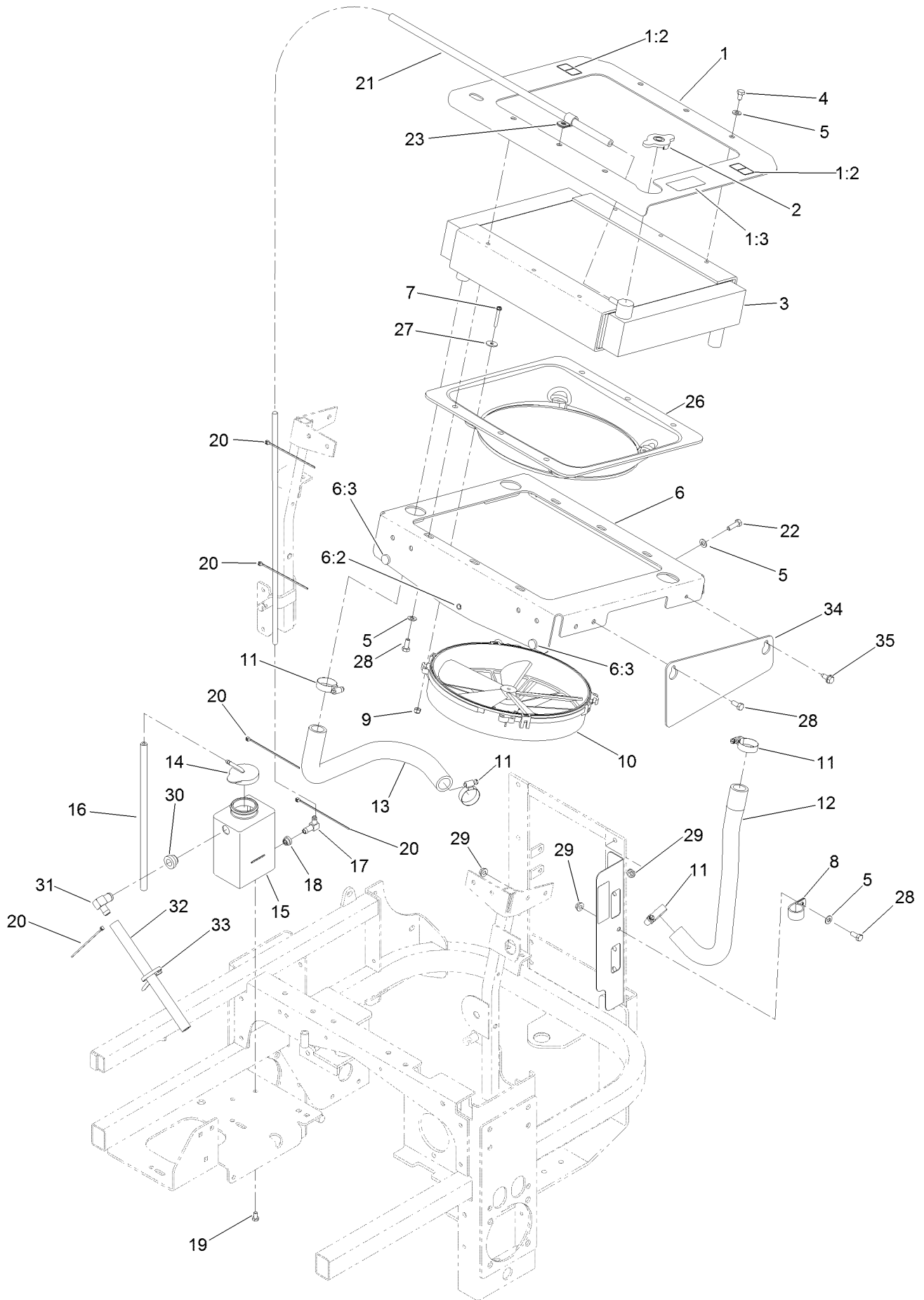


Engine Housing Assembly (continued)

<i>Ref.</i>	<i>Part Number</i>	<i>Qty.</i>	<i>Description</i>
31	322-4	4	Screw-HH

<i>Ref.</i>	<i>Part Number</i>	<i>Qty.</i>	<i>Description</i>
33	3296-56	3	Nut-Lock, NI
34	131-8679-03	1	Shield-Fan

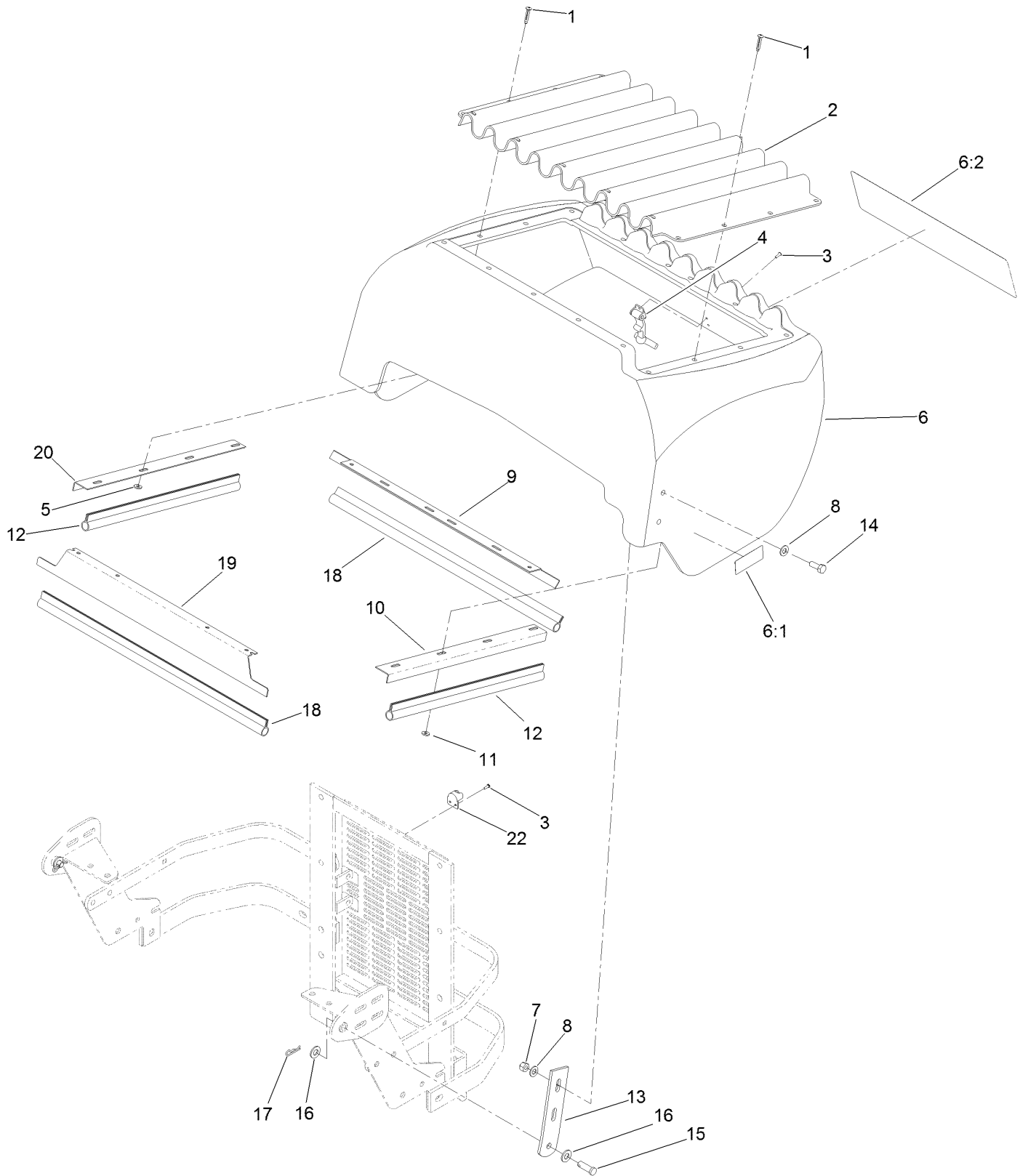
Cooling System Assembly



Cooling System Assembly (continued)

<i>Ref.</i>	<i>Part Number</i>	<i>Qty.</i>	<i>Description</i>	<i>Ref.</i>	<i>Part Number</i>	<i>Qty.</i>	<i>Description</i>
1	110-3845	1	Top Radiator Plate ASM	16	1-603954	1	Hose-Line, Fuel
1:2	93-8069	2	Decal-Surface, Hot	17	46-6550	1	Fitting-Elbow, 90 DEG
1:3	110-3842	1	Decal-Antifreeze	18	1-513645	1	Bushing-Valve, Fuel
2	1-643161	1	Cap-Radiator	19	321-2	2	Screw-HH
3	107-9932	1	Radiator	20	1-303287	6	Tie-Cable
4	322-1	6	Screw-HH	21	103-1428	1	Hose-Overflow
5	3256-23	16	Washer-Plain	22	322-5	5	Screw-HH
6	131-8748	1	Bottom Radiator Plate ASM	23	1-603727	1	Clip-Loom
6:2	32148-6	1	Nut-Clinch	26	108-5971	1	Shroud-Cooling, Engine
6:3	1-513658	2	Bumper	27	3256-67	4	Washer
7	108-5988	4	Screw-HWH	28	322-3	8	Screw-HH
8	1-643312	1	Clip-Loom	29	32128-20	3	Nut-HF
9	1-804254	4	Nut-Lock, HH	30	104-0790	1	Bushing
10	1-633831	1	Fan	31	117-0943	1	Fitting-Elbow
11	2412-34	4	Clamp-Hose	32	115-4969	1	Hose-Overflow
12	108-5372	1	Hose-Radiator, LH	33	1-303335	1	Tie-Plastic
13	108-5904	1	Hose-Outlet, Engine	34	131-8678-03	2	Shield-Radiator
14	1-643164	1	Cap-Tank, Overflow	35	32144-70	2	Screw-HWHTF
15	117-0941	1	Tank-Overflow				

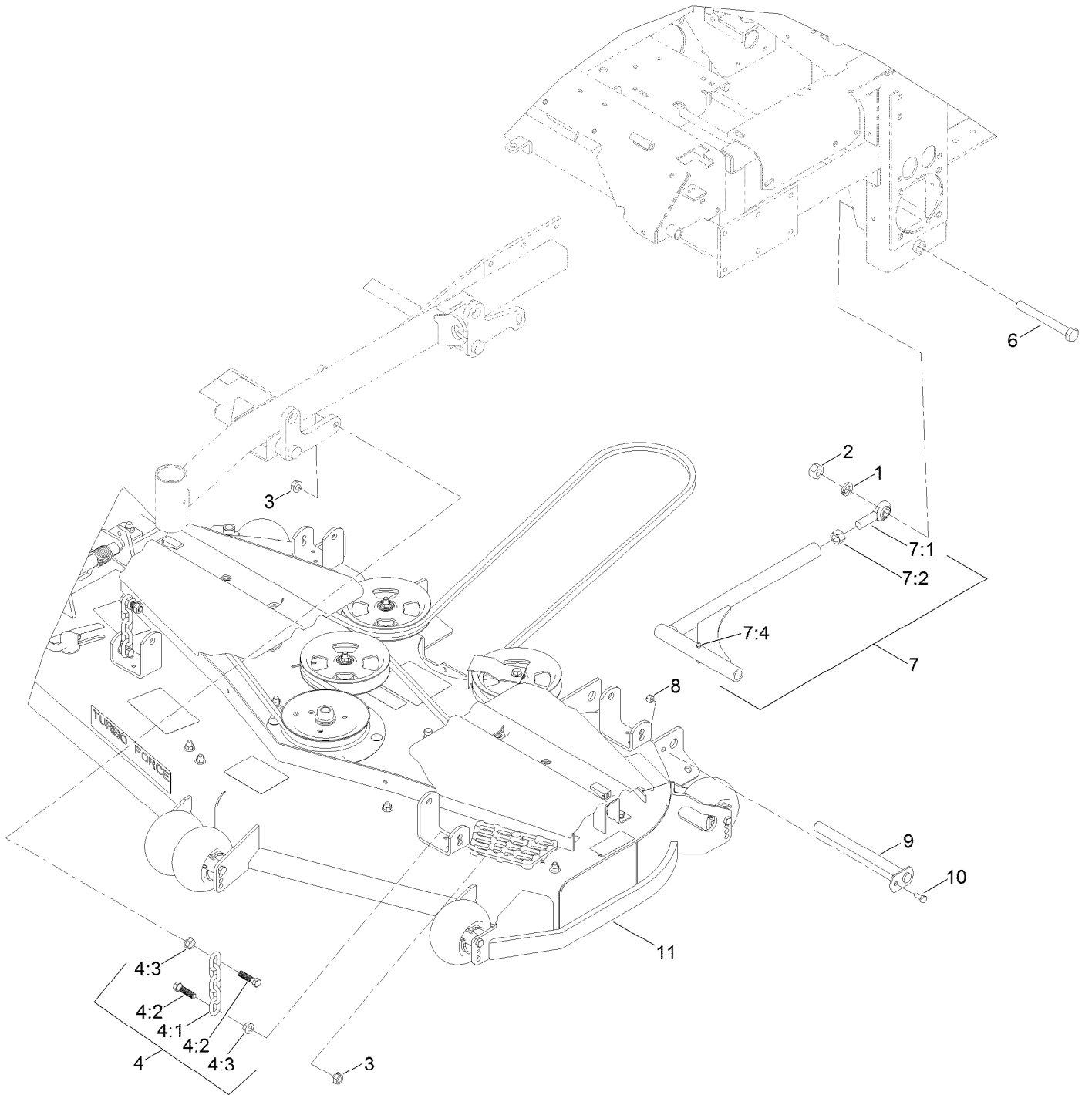
Hood Assembly



Hood Assembly (continued)

<i>Ref.</i>	<i>Part Number</i>	<i>Qty.</i>	<i>Description</i>	<i>Ref.</i>	<i>Part Number</i>	<i>Qty.</i>	<i>Description</i>
1	1-803072	17	Rivet	11	3256-14	12	Washer-Flat
2	1-633864-03	1	Screen-Radiator	12	1-643186	2	Seal-Trim
3	923786	4	Rivet	13	108-5337-03	2	Plate-Hinge, Hood
4	1-643188	1	Latch-Rubber	14	322-4	4	Screw-HH
5	1-303435	4	Washer-Spring	15	1-808285	2	Pin-Clevis
6	114-8225	1	Hood ASM	16	3256-24	4	Washer-Flat
6:1	114-9600	2	Decal-Low Sulfur	17	1-806003	2	Pin-Cotter
6:2	140-1215	1	Decal-Console	18	1-643187	2	Seal-Trim
7	3296-29	4	Nut-Lock, NI	19	1-643107-03	1	Angle-Radiator, Top
8	3256-23	8	Washer-Plain	20	1-643106-03	1	Angle-Radiator, RH
9	1-643108-03	1	Angle-Radiator, Bottom	22	249-40	1	Keeper
10	1-643105-03	1	Angle-Radiator, LH				

Deck Connection Assembly

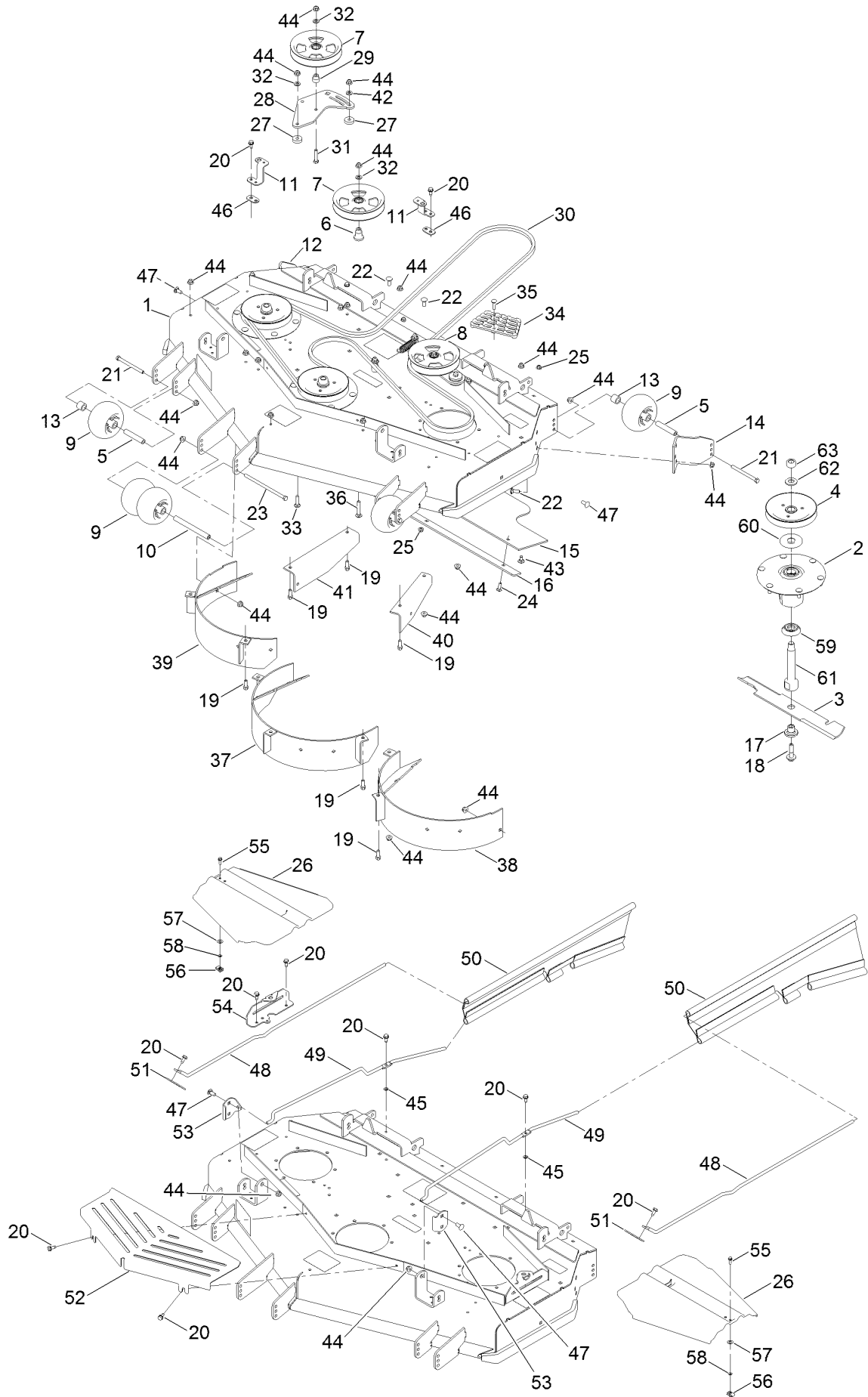


Deck Connection Assembly (continued)

<i>Ref.</i>	<i>Part Number</i>	<i>Qty.</i>	<i>Description</i>	<i>Ref.</i>	<i>Part Number</i>	<i>Qty.</i>	<i>Description</i>
1	3253-8	2	Washer-Lock	7	108-5969	2	Strut ASM
2	3217-11	2	Nut-Hex	7:1	1-633029	1	Balljoint-Spherical
3	32128-37	8	Nut-HF	7:2	3219-6	1	Nut-Hex
4	103-9792	4	Deck Chain ASM	7:4	109-1380	1	Fitting-Grease
4:1	1-633447	1	Chain-Lift, Deck	8	3296-29	2	Nut-Lock, NI
4:2	103-1898	2	Screw-HH	9	1-632199-01	2	Pin-Strut
4:3	32128-37	2	Nut-HF	10	322-3	2	Screw-HH
6	327-28	2	Screw-HH	11		1	Deck ASM-52Rd ●

● Not serviced separately

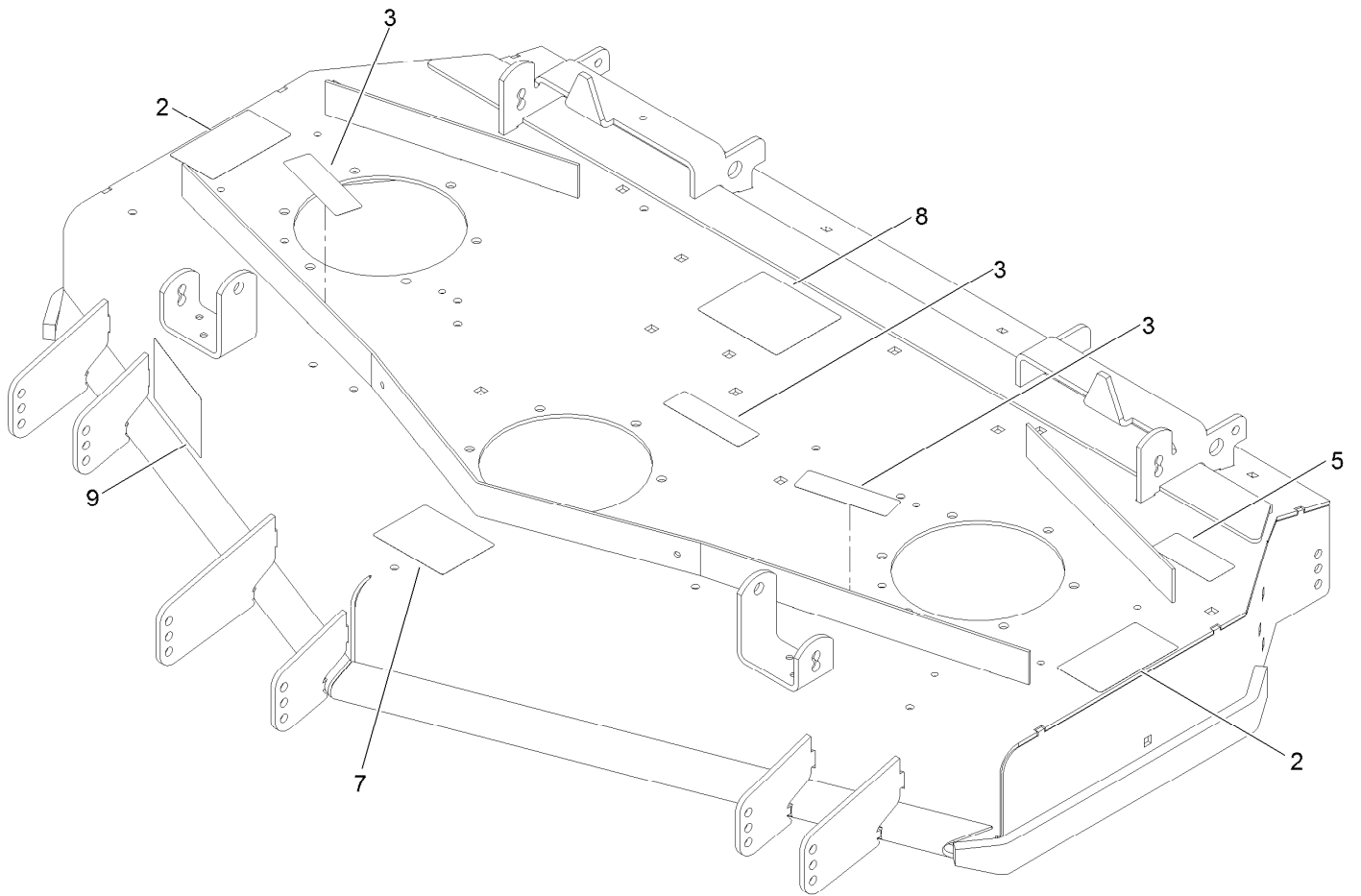
Deck Assembly



Deck Assembly (continued)

<i>Ref.</i>	<i>Part Number</i>	<i>Qty.</i>	<i>Description</i>	<i>Ref.</i>	<i>Part Number</i>	<i>Qty.</i>	<i>Description</i>
1	140-1155	1	Deck ASM	34	126-4781-03	1	Step-Deck
2	137-9780	3	Spindle ASM	35	3230-3	1	Screw-CARR
3	140-1242	3	Blade-Flow, High	36	3231-7	1	Screw-CARR
4	138-6061	3	Sheave-Blade, Drive	37	112-3871-01	1	Baffle-Center
5	98-7912	4	Tube-Spanner	38	112-3872-01	1	Baffle-LH
6	106-3214	1	Mount-Pulley	39	112-3873-01	1	Baffle-RH
7	132-9424	2	Pulley-Idler, Flat	40	112-3862-01	1	Baffle-Trailing
8	114-1812	1	Spring Idler ASM	41	112-3863-01	1	Baffle-Trailing
9	1-603299	6	Roller-Scalp, Anti	42	98-5975	1	Washer-Belleville
10	98-5967	1	Spacer-Wheel	43	3231-1	4	Screw-CARR
11	108-2177-01	2	Bracket-Cover, Tall	44	104-8301	52	Nut-HF, NI
12	112-3893-01	1	Mount-Anti Scalp, RH	45	117-2749	2	Nut-Push
13	98-7913	4	Tube-Spacer	46	119-4222-01	2	Spacer-Cover, Belt
14	112-3895-01	1	Mount-Anti Scalp, LH	47	3231-27	4	Screw-CARR
15	112-3869	1	Deflector-Rubber	48	131-4004	2	Rod-Support, Upper
16	112-3868-01	1	Skid-Skirt	49	131-7707	2	Rod Support, Lower
17	137-9787	3	Bushing-Hex	50	131-7701	2	Guard Side
18	109-9220	3	Screw-Sems	51	131-4003-03	2	Bracket-Mounting, Upper Rod
19	92-1624	9	Screw-HWH	52	131-3983-03	1	Shield-Front
20	32144-70	12	Screw-HWHTF	53	131-4198-03	2	Bracket-Mounting, Front
21	323-23	4	Screw-HH	54	131-4002-03	2	Bracket-Support, Spindle Cover
22	3231-2	8	Bolt-CARR	55	32105-15	2	Screw-HWH
23	108-5388	1	Screw-HH	56	107069	2	Clip
24	3230-22	4	Screw-CARR	57	73-0041	2	Washer-Thrust
25	104-8300	5	Nut-HF, NI	58	32115-15	2	Nut-Push
26	107-8536	2	Cover-Belt	59	137-9784	3	Guard-Bottom
27	105-7788	2	Spacer	60	103-1330	3	Guard-Bearing, Top
28	107-8516-01	1	Plate-Idler	61	138-6045	3	Shaft-Spindle
29	1-603496	1	Bushing-Idler	62	103-2802	3	Washer
30	108-5951	1	Belt-V	63	116-7306	3	Nut-Hex
31	323-9	1	Screw-HH				
32	3256-24	3	Washer-Flat				
33	3231-4	2	Screw-CARR				

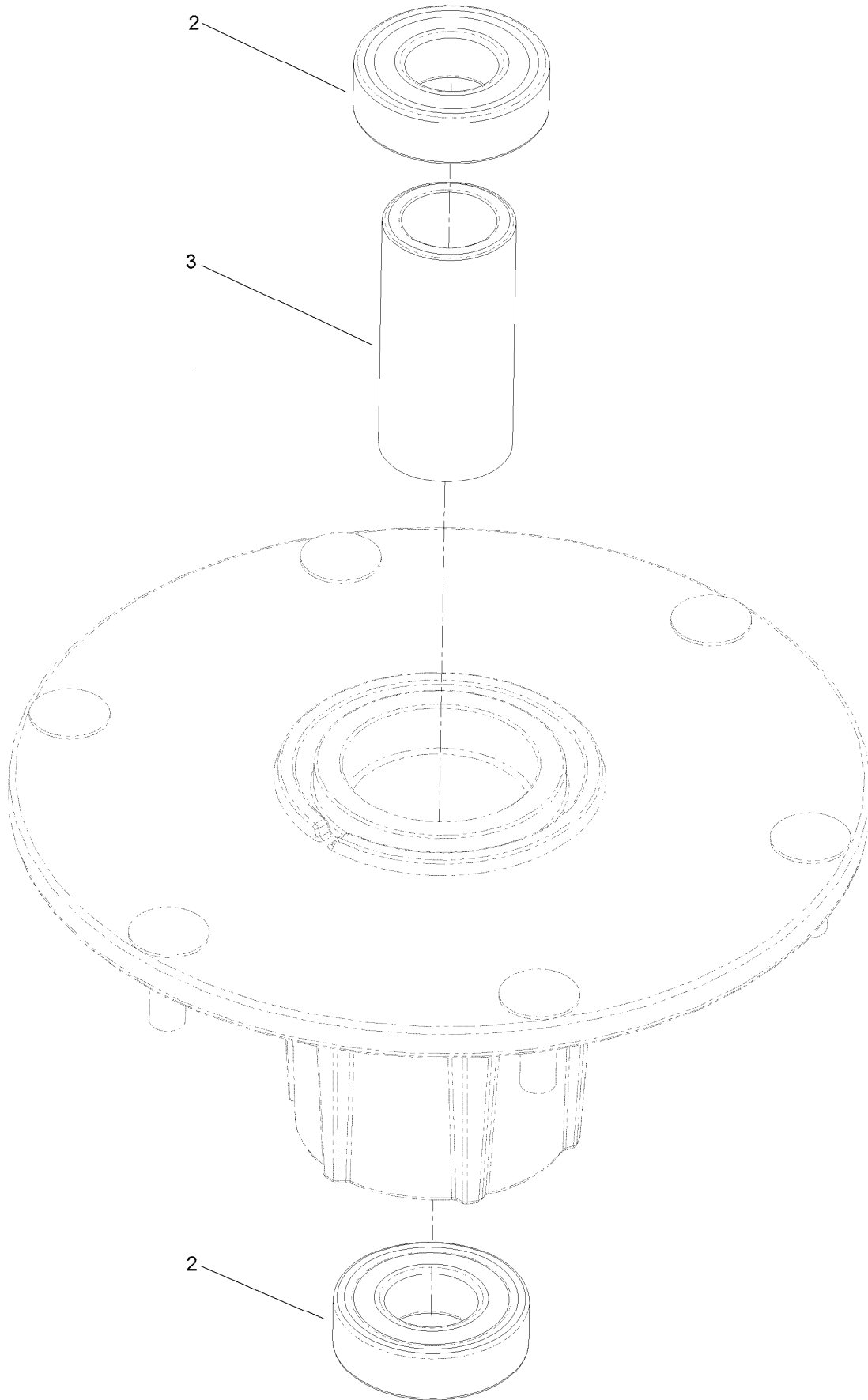
Deck Decal Assembly No. 140-1155



Deck Decal Assembly No. 140-1155 (continued)

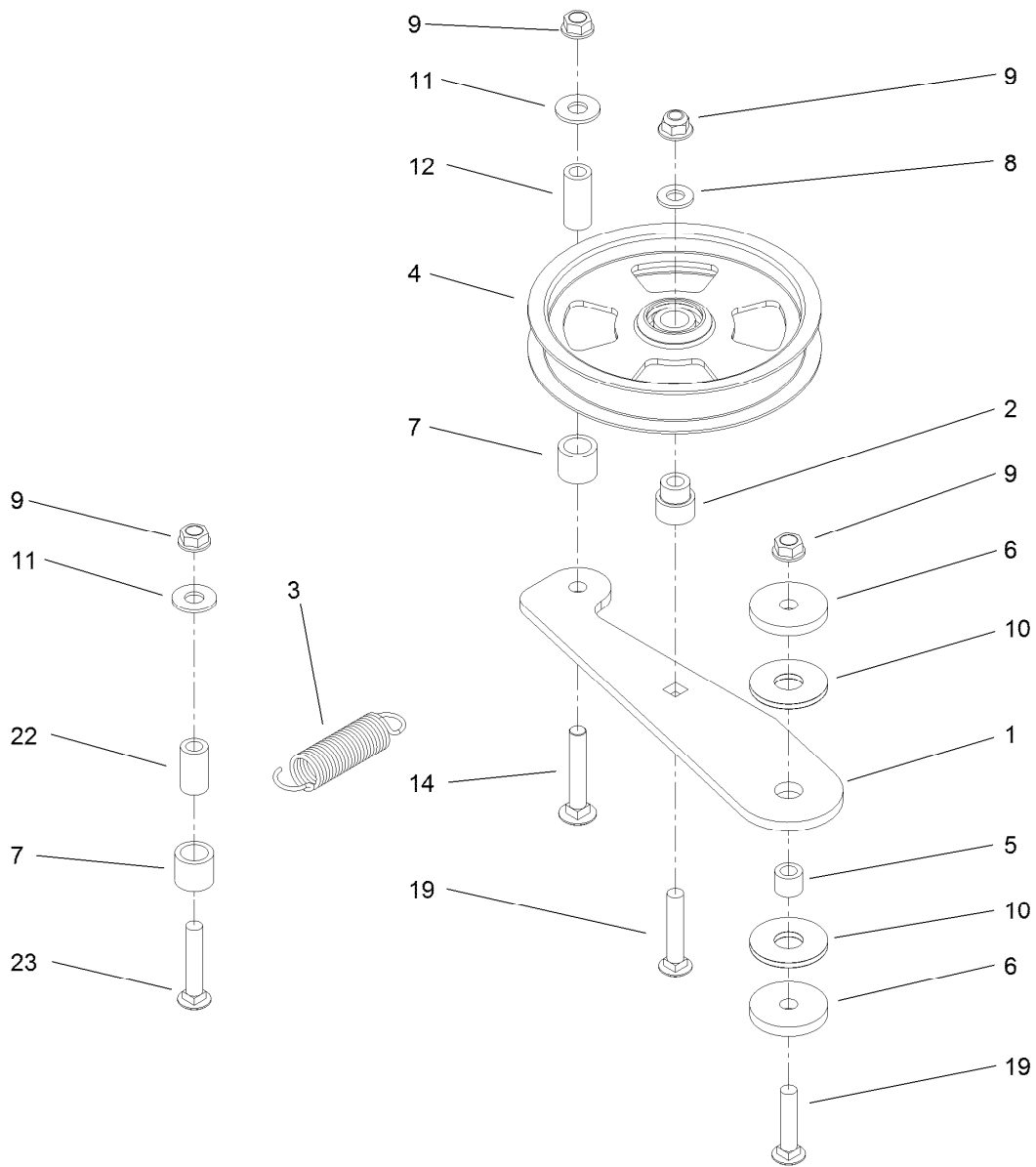
<i>Ref.</i>	<i>Part Number</i>	<i>Qty.</i>	<i>Description</i>	<i>Ref.</i>	<i>Part Number</i>	<i>Qty.</i>	<i>Description</i>
2	117-3848	2	Decal-Danger	7	112-3858	1	Decal-Scalp, Anti
3	112-9028	3	Decal-Cover, Missing	8	108-5981	1	Decal-Routing, Belt
5	116-8283	1	Decal-Torque, Bolt	9	114-1827	1	Decal

Spindle Assembly No. 137-9780



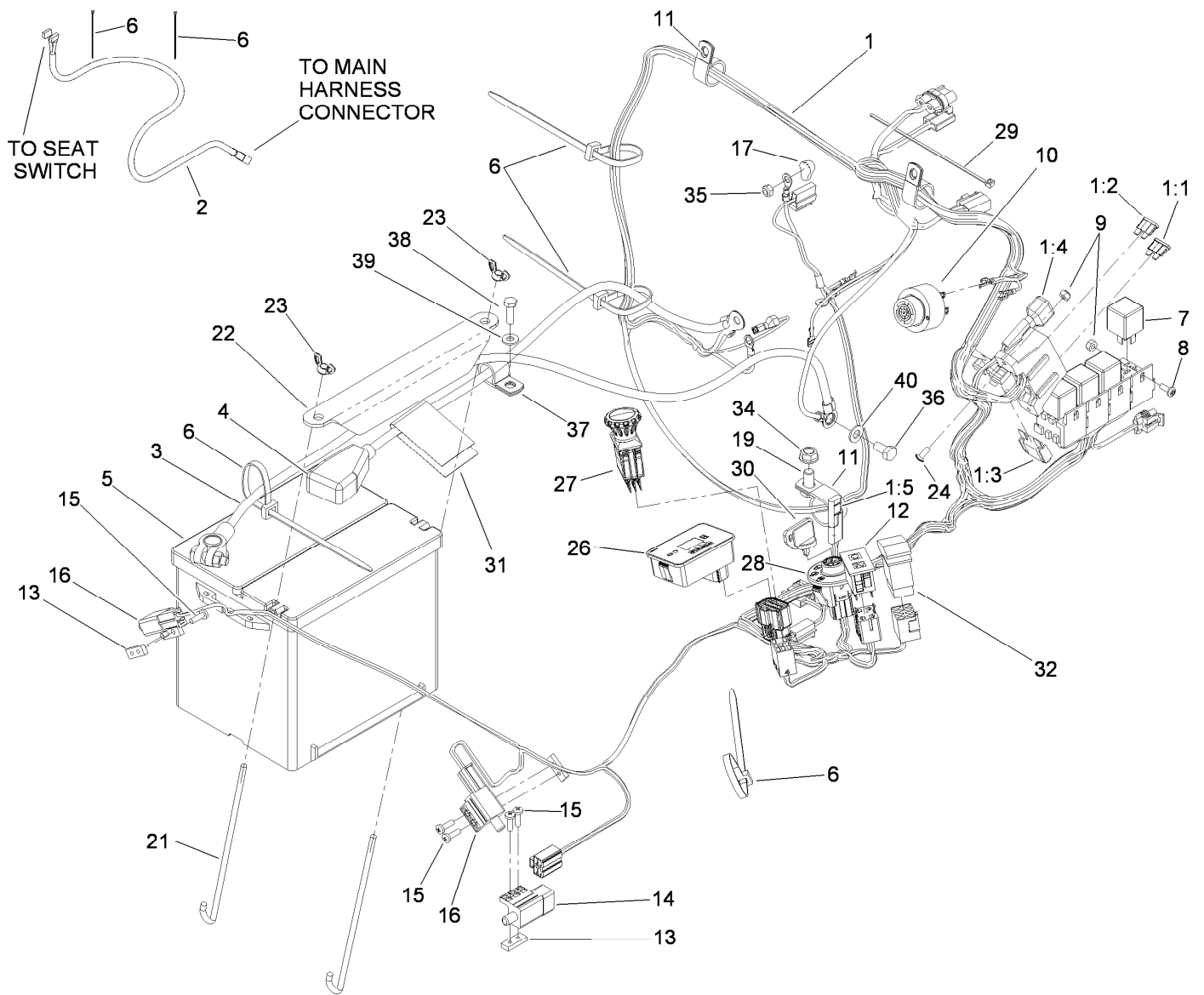
Spindle Assembly No. 137-9780 (continued)

<i>Ref.</i>	<i>Part Number</i>	<i>Qty.</i>	<i>Description</i>
2	116-0720	2	Bearing-Ball
3	138-6042	1	Spacer-Bearing



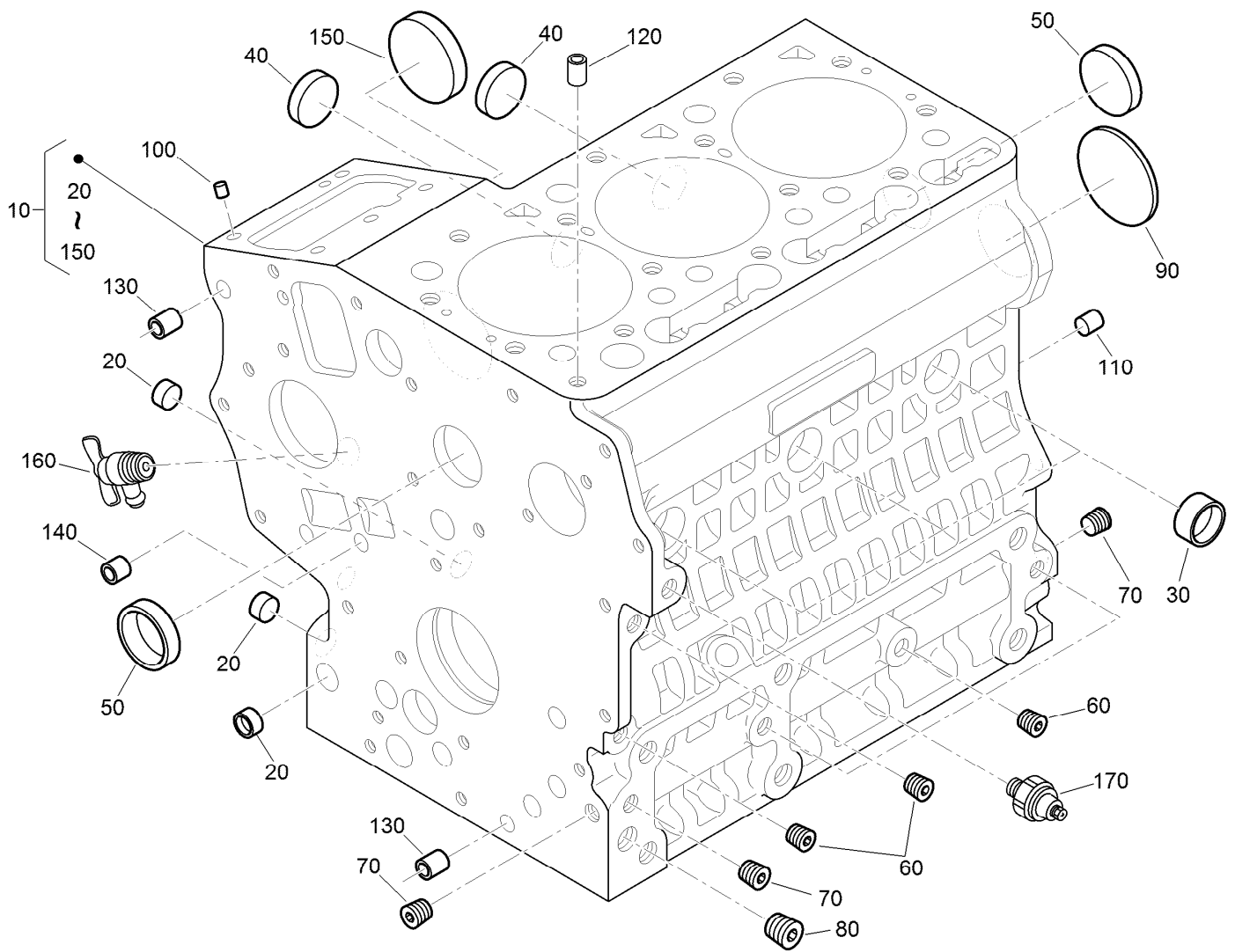
Spring Idler Assembly No. 114-1812

<i>Ref.</i>	<i>Part Number</i>	<i>Qty.</i>	<i>Description</i>	<i>Ref.</i>	<i>Part Number</i>	<i>Qty.</i>	<i>Description</i>
1	114-1815	1	Arm-Idler	9	104-8301	4	Nut-HF, NI
2	1-603496	1	Bushing-Idler	10	114-0463	2	Washer-Friction, Composite
3	108-4056	1	Spring-Extension	11	3256-4	2	Washer-Flat
4	132-9424	1	Pulley-Idler, Flat	12	1-603401	1	Spacer
5	1-413088	1	Bushing-Lever, Lift	14	3231-6	1	Screw-CARR
6	110-9981	2	Washer-Plain	19	3231-5	2	Screw-CARR
7	108-4063	2	Spacer-Rubber	22	104-0151	1	Spacer
8	3256-24	1	Washer-Flat	23	3231-40	1	Bolt-CARR



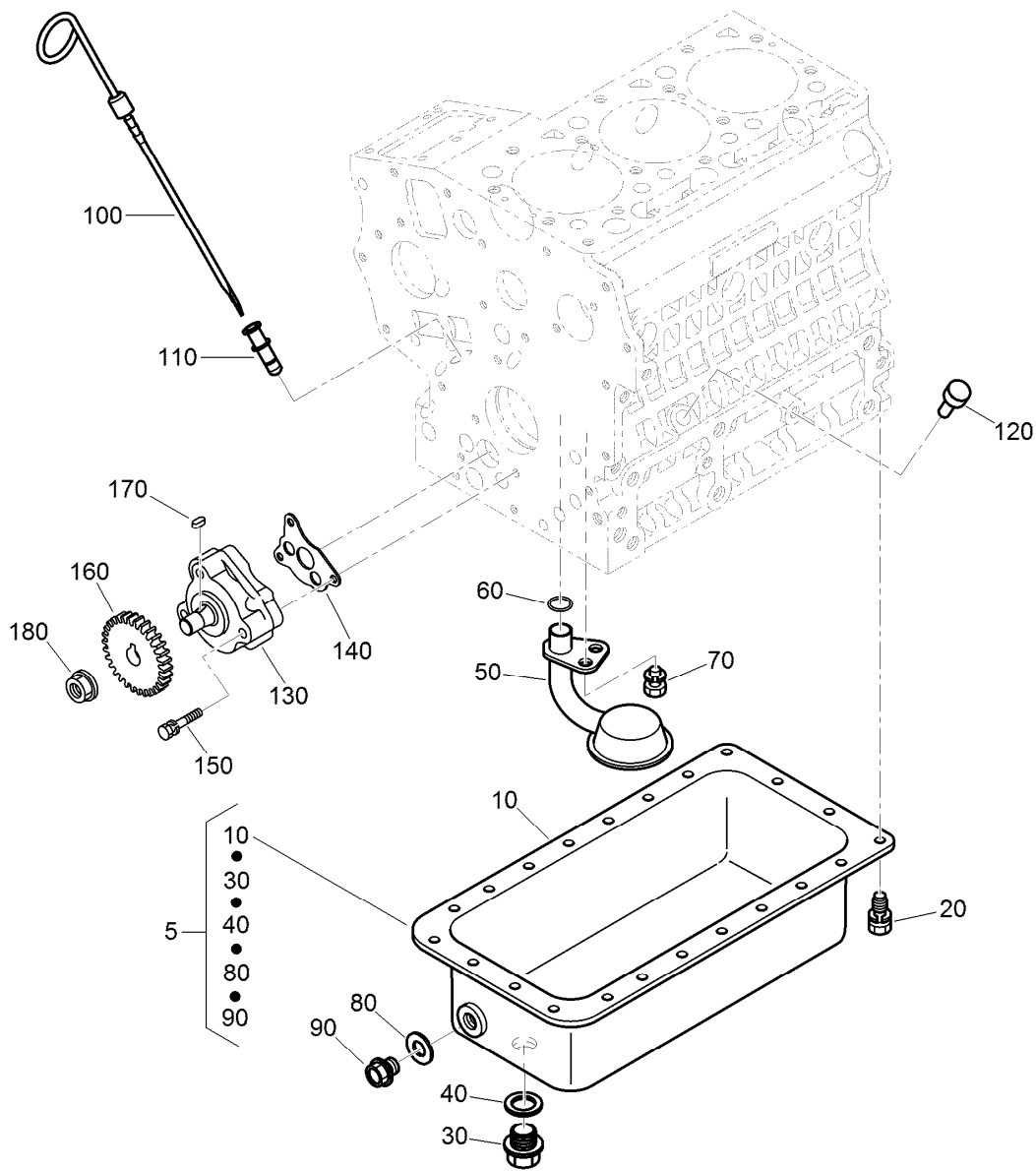
Electrical Assembly

Ref.	Part Number	Qty.	Description	Ref.	Part Number	Qty.	Description
1	119-0351	1	Harness-Wire	17	1-643178	1	Cap-Insulator, Red
1:1	218-578	1	Fuse-Blade, 10 Amp	19	323-4	1	Screw-HH
1:2	109103	1	Fuse-Blade, 30 Amp	21	103-1312	2	Bolt-Holddown
1:3	94-8002	1	Fuse-Blade, 50 Amp	22	103-1311-03	1	Holddown-Battery
1:4	100-4918	1	Diode	23	1-543792	2	Wingnut
1:5	116-0053	1	Cap-Plug	24	1-803075	2	Screw-Head, Truss
2	103-1227	1	Harness-Wiring, Seat	26	116-5609	1	Module ASM
3	110-0303	1	Cable-Battery, Negative	27	116-0124	1	Switch-PTO, 10 Amp
4	110-0304	1	Cable-Battery, Positive	28	137-4100	1	Switch-Ignition
5	106-5187	1	Battery-Dry	29	1-303287	1	Tie-Cable
6	1-303335	7	Tie-Plastic	30	63-8360	2	Key-Ignition
7	1-643275	4	Relay	31	140-4357	1	Decal-Battery Charging
8	1-803071	2	Screw	32	110-0811	1	Switch-Rocker On-None-(On)
9	3296-2	4	Nut-Lock, NI	34	3290-357	1	Nut-HHF, Whiz
10	103-0205	1	Alarm-Tone, Dual	35	33023-00	1	Nut-Lock
11	1-643312	3	Clip-Loom	36	33114-016	1	Screw-HH
12	100-8071	1	Lamp-Warning	37	1-633396	2	Clip-Loom
13	1-633181	3	Plate-Tapped	38	321-5	2	Screw-HH
14	1-633111	1	Switch	39	3256-22	2	Washer-Flat
15	3290-500	6	Screw-PPH	40	3256-23	1	Washer-Plain
16	1-513051	2	Switch-Open, Normally				



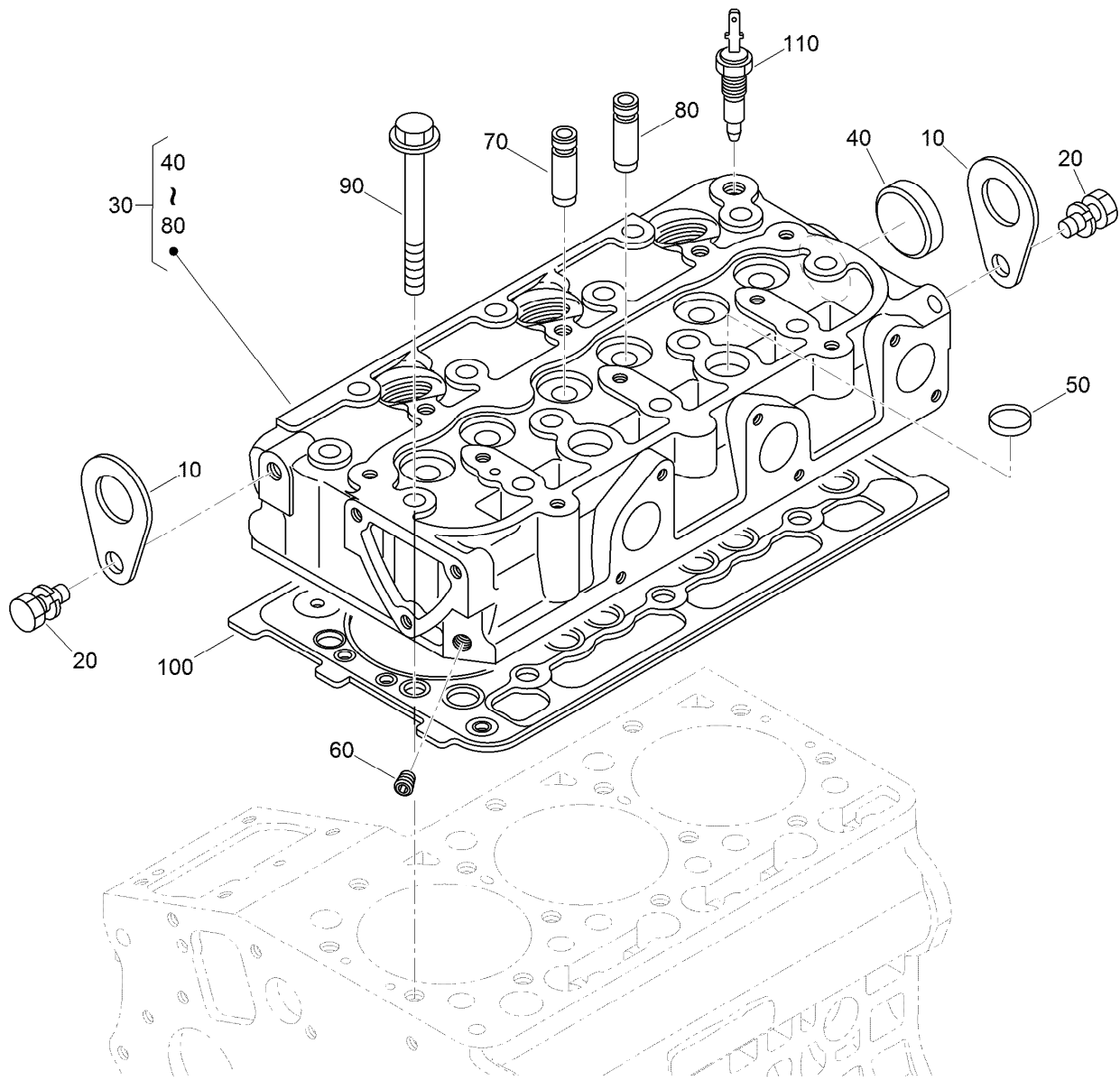
Crankcase Assembly

<i>Ref.</i>	<i>Part Number</i>	<i>Qty.</i>	<i>Description</i>	<i>Ref.</i>	<i>Part Number</i>	<i>Qty.</i>	<i>Description</i>
10	120-3120	1	Crankcase ASM	100	98-9375	2	Pin-Straight
20	100-2019	3	Cap-Sealing	110	98-9377	2	Pin-Straight
30	100-2020	3	Cap-Sealing	120	98-7506	1	Pin-Pipe
40	110-3702	2	Cap-Sealing	130	100-2051	2	Pin-Pipe
50	98-9398	2	Cap-Sealing	140	100-2051	2	Pin-Pipe
60	98-9687	5	Plug	150	100-1991	1	Cover-Fuel, Camshaft
70	98-7487	3	Plug	160	120-3121	1	Draincock ASM
80	98-7488	1	Plug	170	100-2230	1	Switch-Oil
90	100-1851	1	Plug-Expansion				



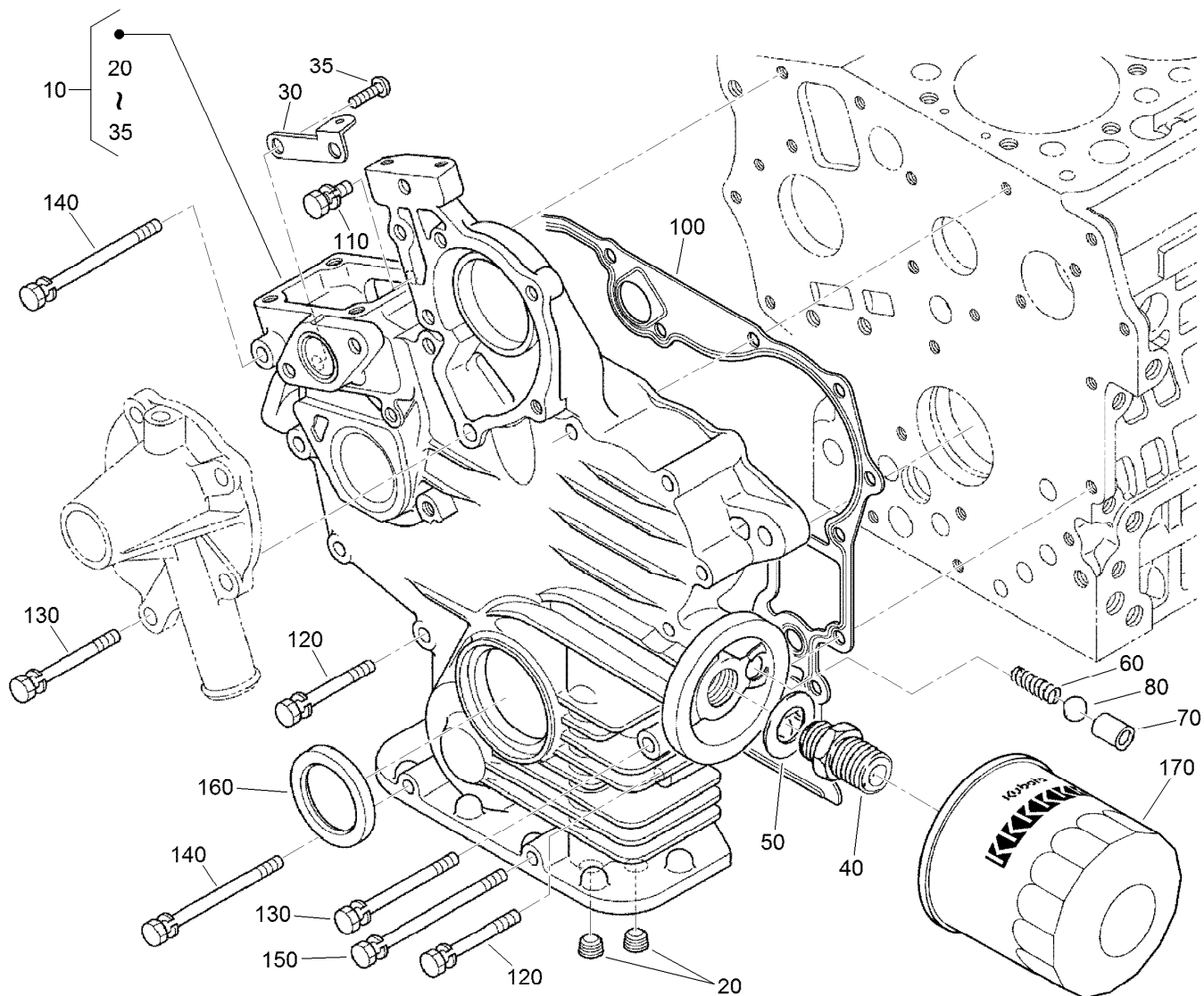
Oil Pan, Oil Pump and Dipstick Assembly

Ref.	Part Number	Qty.	Description	Ref.	Part Number	Qty.	Description
5	112-8327	1	Oil Pan Kit	100	110-3719	1	Gauge-Oil
10	112-2523	1	Pan-Oil	110	105-4580	1	Guide-Gauge, Oil
20	98-9350	22	Bolt	120	110-3720	1	Plug-Gauge, Oil
30	114-8151	1	Plug-Drain	130	100-2002	1	Oil Pump ASM
40	110-9715	1	Gasket-Pan, Oil	140	100-2003	1	Gasket-Pump, Oil
50	100-2001	1	Strainer-Pickup, Oil	150	100-1923	3	Bolt
60	105-3776	1	O-Ring	160	130-1419	1	Gear-Drive, Oil Pump
70	100-9195	1	Bolt	170	98-7658	1	Key-Feather
80	98-7524	1	Gasket	180	100-1779	1	Nut-Flange
90	98-9686	1	Plug-Drain				



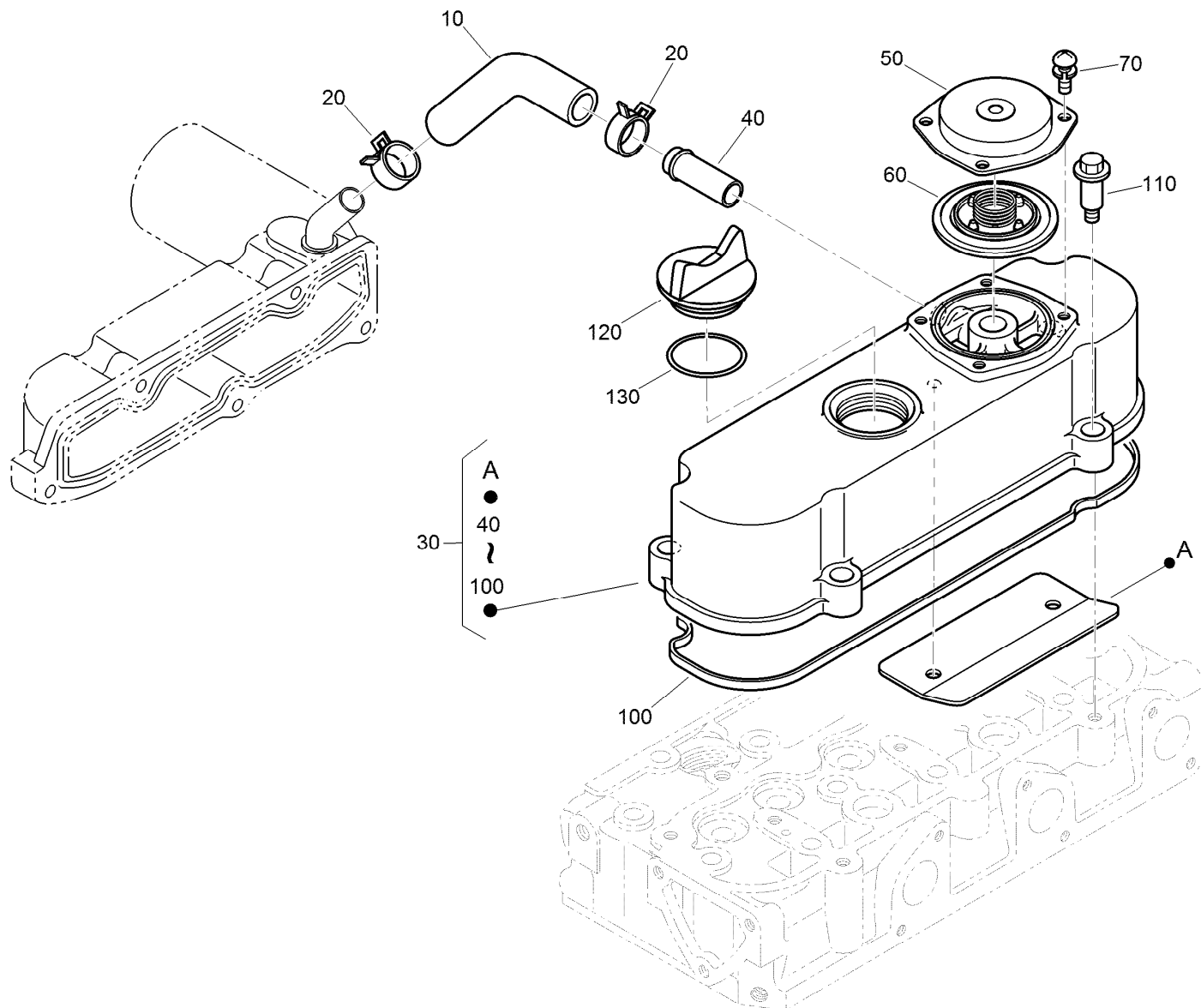
Cylinder Head Assembly

<i>Ref.</i>	<i>Part Number</i>	<i>Qty.</i>	<i>Description</i>
10	98-7531	2	Hook-Engine
20	98-7526	2	Bolt
30	130-1504	1	Cylinder Head ASM
40	105-3705	1	Cap-Sealing
50	98-9389	2	Cap-Sealing
60	98-9687	1	Plug
70	100-1882	3	Guide-Valve, Inlet
80	100-1883	3	Guide-Valve, Exhaust
90	100-1820	14	Bolt-Head, Cylinder
100	112-2520	1	Gasket-Head, Cylinder
110	99-3582	1	Thermoswitch



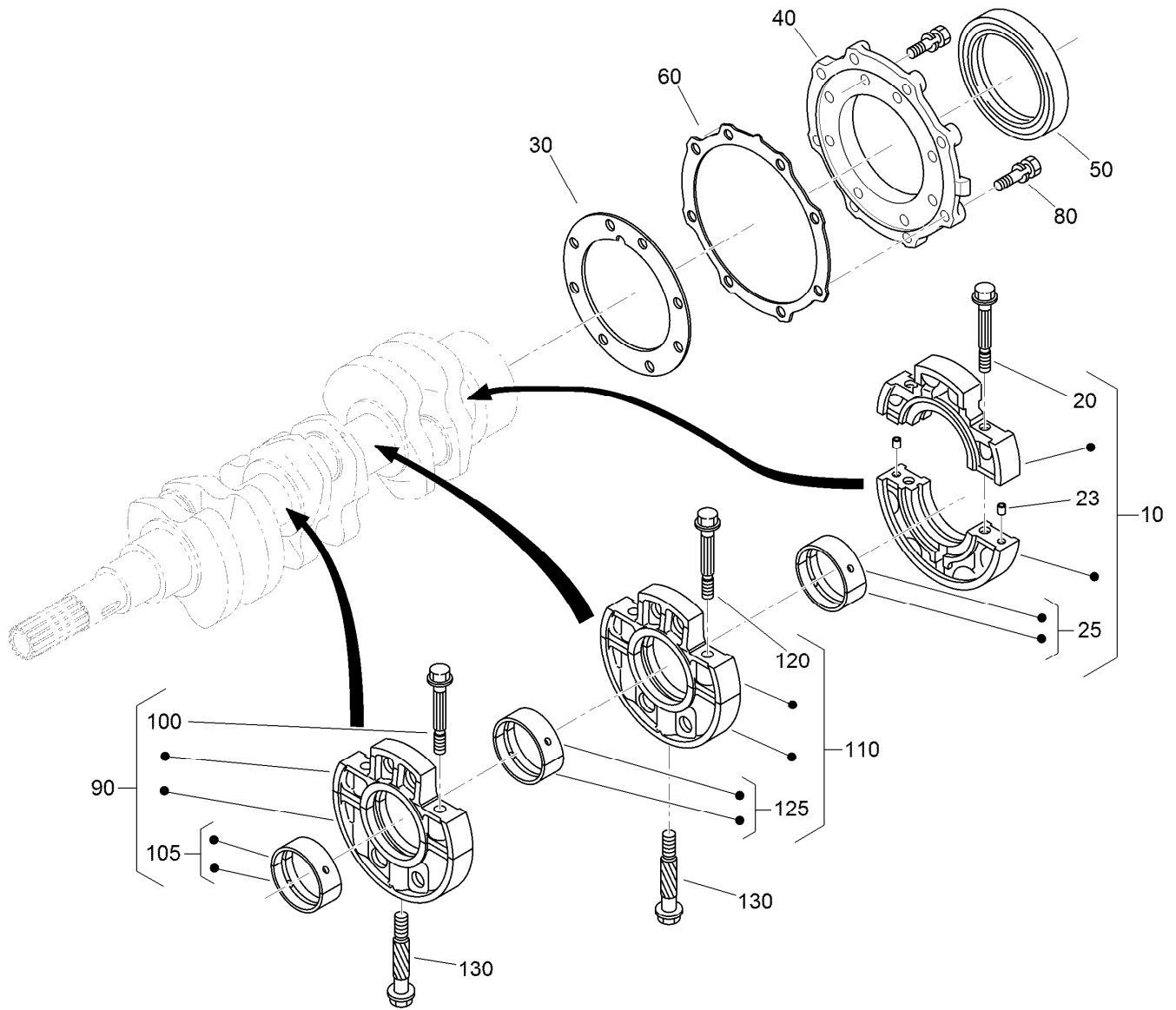
Gear Case and Oil Filter Cartridge Assembly

<i>Ref.</i>	<i>Part Number</i>	<i>Qty.</i>	<i>Description</i>	<i>Ref.</i>	<i>Part Number</i>	<i>Qty.</i>	<i>Description</i>
10	110-3707	1	Case-Gear	100	117-0327	1	Gasket-Case, Gear
20	98-7488	2	Plug	110	127-0403	1	Bolt-Flange
30	110-3708	1	Stay-Spring, Start	120	125-9063	9	Bolt-Sems
35	100-2040	2	Screw	130	100-1922	2	Bolt
40	98-9388	1	Joint-Pipe	140	98-9357	2	Bolt
50	100-1926	1	Washer-Plain	150	110-3710	1	Bolt
60	100-2004	1	Spring	160	120-7852	1	Seal-Oil
70	100-1894	1	Seat-Valve	170	115-8189	1	Filter-Oil, Engine
80	100-1792	1	Ball				



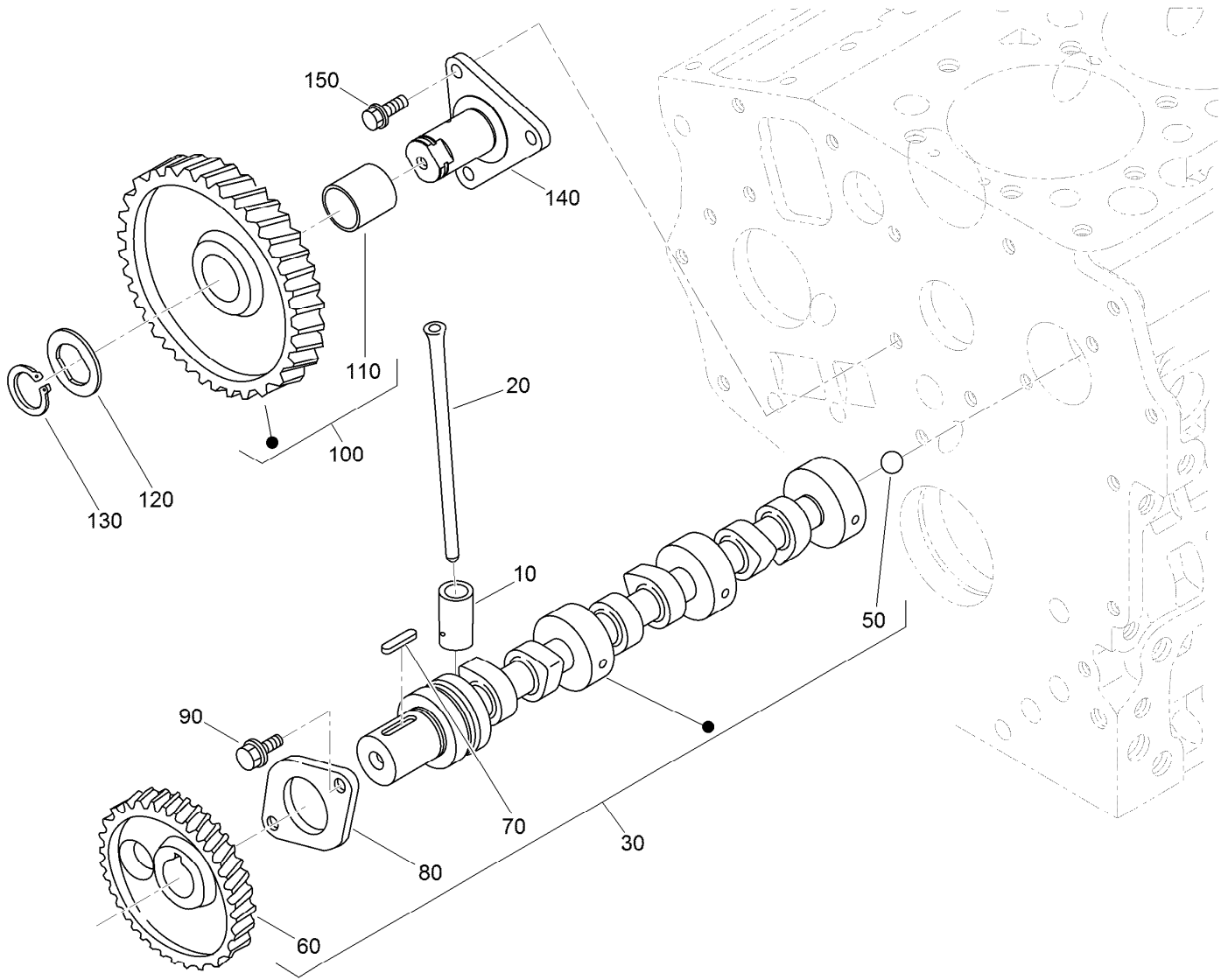
Cylinder Head Cover Assembly

Ref.	Part Number	Qty.	Description
10	120-3139	1	Tube-Breather
20	110-3712	2	Clamp-Hose
30	112-8332	1	Cylinder Head Cover ASM
40	98-9580	1	Pipe-Return, Water
50	110-3714	1	Cover-Breather
60	110-3715	1	Valve-Breather
70	98-9364	4	Screw (With Washer)
100	112-2521	1	Gasket-Cover, Head
110	108-7063	4	Bolt
120	107-9075	1	Plug-Filler, Oil
130	99-3446	1	O-Ring



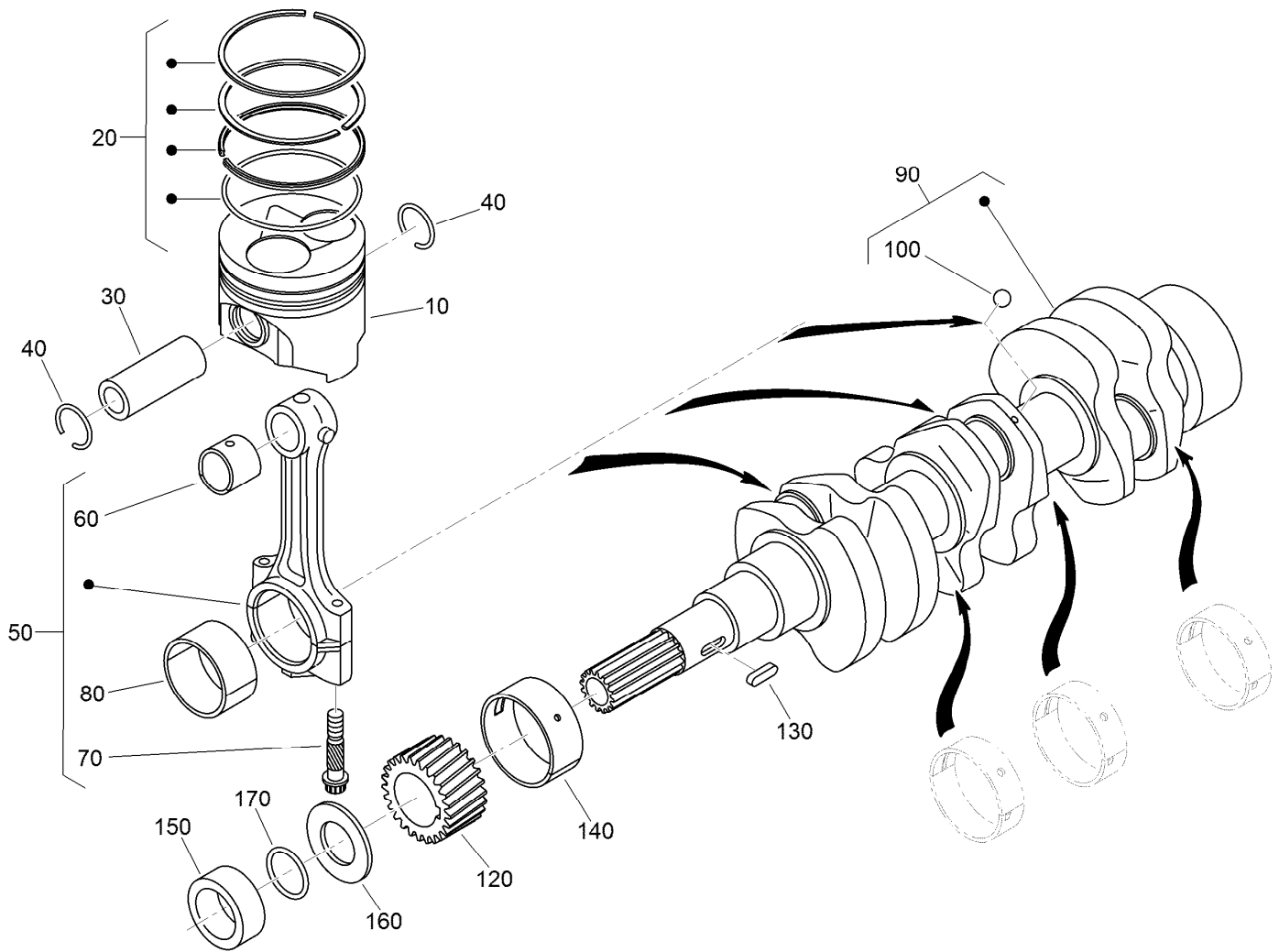
Main Bearing Case Assembly

<i>Ref.</i>	<i>Part Number</i>	<i>Qty.</i>	<i>Description</i>	<i>Ref.</i>	<i>Part Number</i>	<i>Qty.</i>	<i>Description</i>
10	125-9064	1	Wheel Bearing Case ASM	105	110-3741	1	Crankshaft Metal ASM (STD)
20	125-9065	2	Bolt-Flange	105	125-9083	1	Crankshaft Metal ASM (-0.20Mm)
23	125-9082	2	Pin-Straight	105	110-3743	1	Crankshaft Metal ASM (-0.40Mm)
25	125-9066	1	Crankshaft Metal ASM (STD)	110	125-9069	1	Main Case Bearing ASM
25	125-9067	1	Crankshaft Metal ASM (-0.20Mm)	120	110-3723	2	Bolt-Case, Bearing
25	125-9068	1	Crankshaft Metal ASM (-0.40Mm)	125	110-3741	1	Crankshaft Metal ASM (STD)
30	100-1873	1	Gasket-Case, Bearing	125	125-9083	1	Crankshaft Metal ASM (-0.20Mm)
40	112-8334	1	Cover-Case, Bearing	125	110-3743	1	Crankshaft Metal ASM (-0.40Mm)
50	110-3724	1	Seal-Oil	130	100-1874	2	Bolt-Case, Bearing
60	100-1876	1	Gasket-Cover, Case				
80	100-1750	16	Bolt				
90	110-3725	1	Main Bearing Case ASM				
100	110-3723	2	Bolt-Case, Bearing				



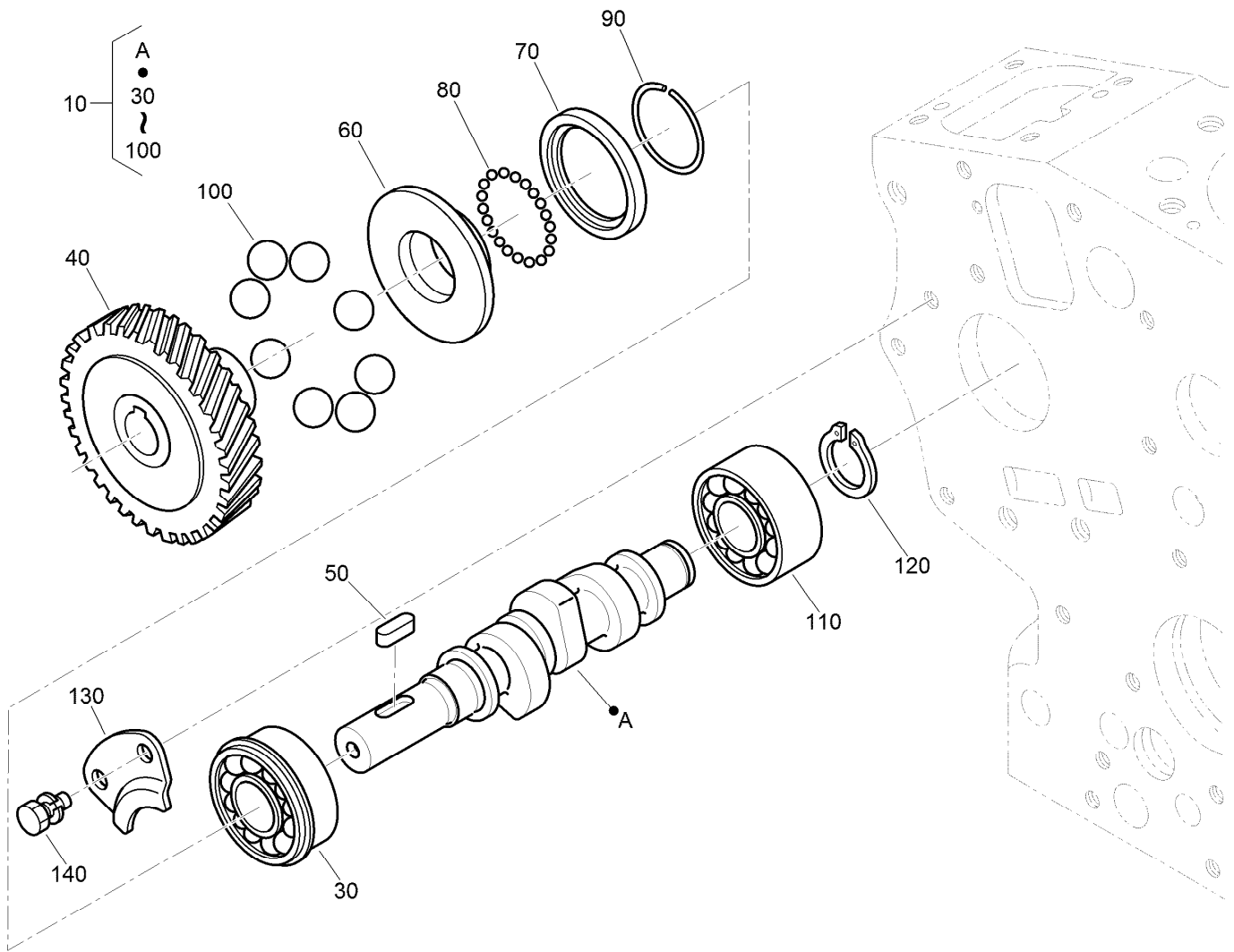
Camshaft and Idle Gear Shaft Assembly

<i>Ref.</i>	<i>Part Number</i>	<i>Qty.</i>	<i>Description</i>
10	110-3727	6	Tappet
20	100-1989	6	Rod-Push
30	120-3126	1	Camshaft ASM
50	110-3729	1	Ball
60	130-1534	1	Gear-Cam
70	98-9378	1	Key-Feather
80	100-1887	1	Stopper-Camshaft
90	98-9350	2	Bolt
100	121-2421	1	Idle Gear ASM
110	121-2422	1	Bushing
120	100-1970	1	Collar-Gear, Idle
130	100-1969	1	Ring-Snap
140	100-1967	1	Shaft-Gear, Idle
150	100-1774	3	Bolt-Flange



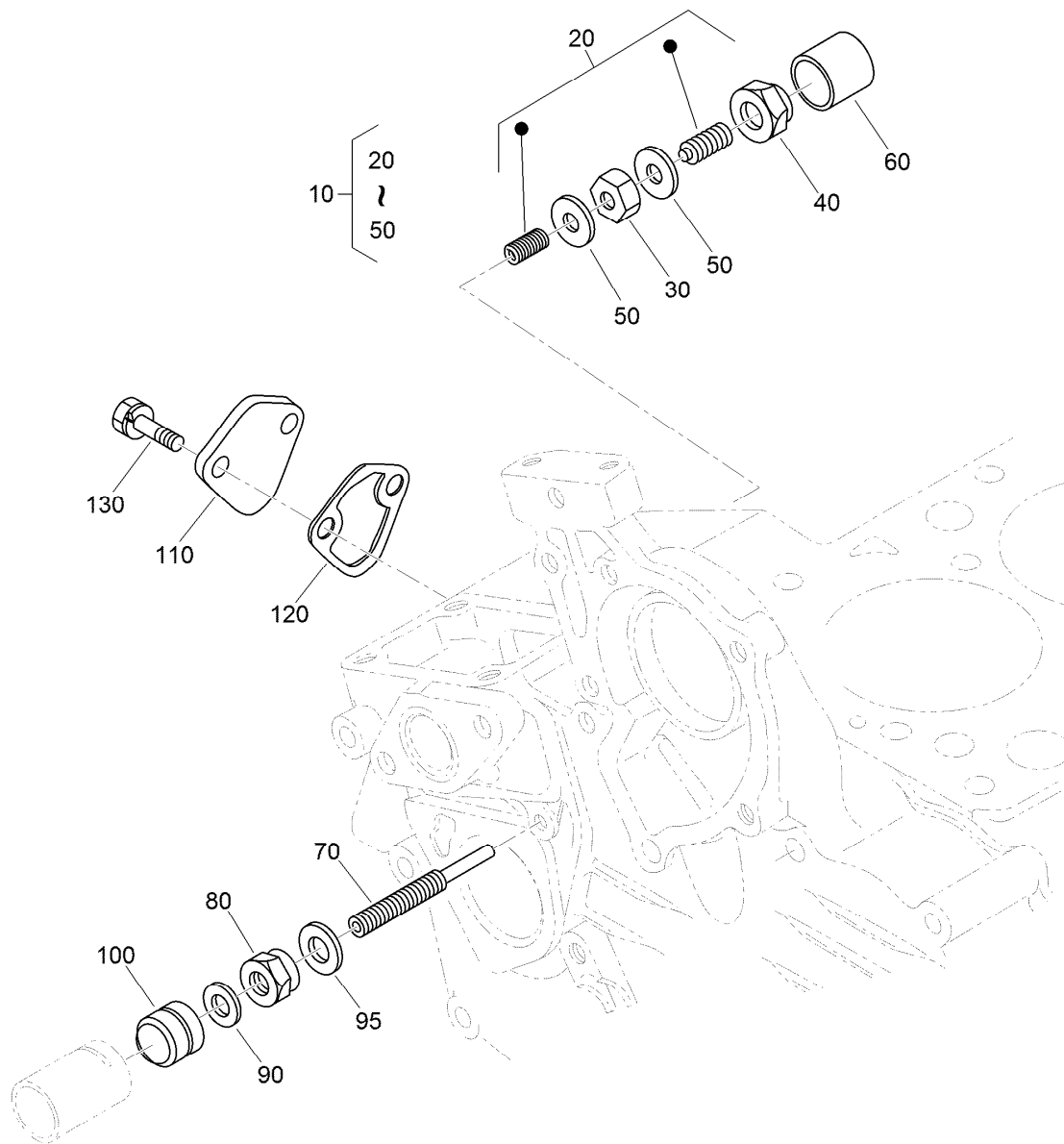
Piston and Crankshaft Assembly

Ref.	Part Number	Qty.	Description	Ref.	Part Number	Qty.	Description
10	130-1518	3	Piston	80	121-2420	3	Metal-Crankpin (-.40Mm)
10	130-1520	3	Piston	90	117-0308	1	Crankshaft
20	130-1516	3	Piston Ring ASM	100	100-1791	3	Ball
20	130-1517	3	Piston Ring ASM	120	100-1891	1	Gear-Crankshaft
30	110-3734	3	Pin-Piston	130	100-1752	1	Key-Feather
40	100-1835	6	Circlip-Internal	140	110-3738	1	Metal-Crankshaft (STD)
50	125-9070	3	Connecting Rod ASM	140	121-2424	1	Metal-Crankshaft (-.20Mm)
60	110-3736	3	Bushing-Pin, Piston	140	121-2425	1	Metal-Crankshaft (-.40Mm)
70	100-1999	6	Bolt-Rod, Connecting	150	100-1890	1	Collar-Crankshaft
80	100-2000	3	Metal-Crankpin (STD)	160	100-1974	1	Slinger-Oil
80	121-3849	3	Metal-Crankpin (-.20Mm)	170	100-2209	1	O-Ring



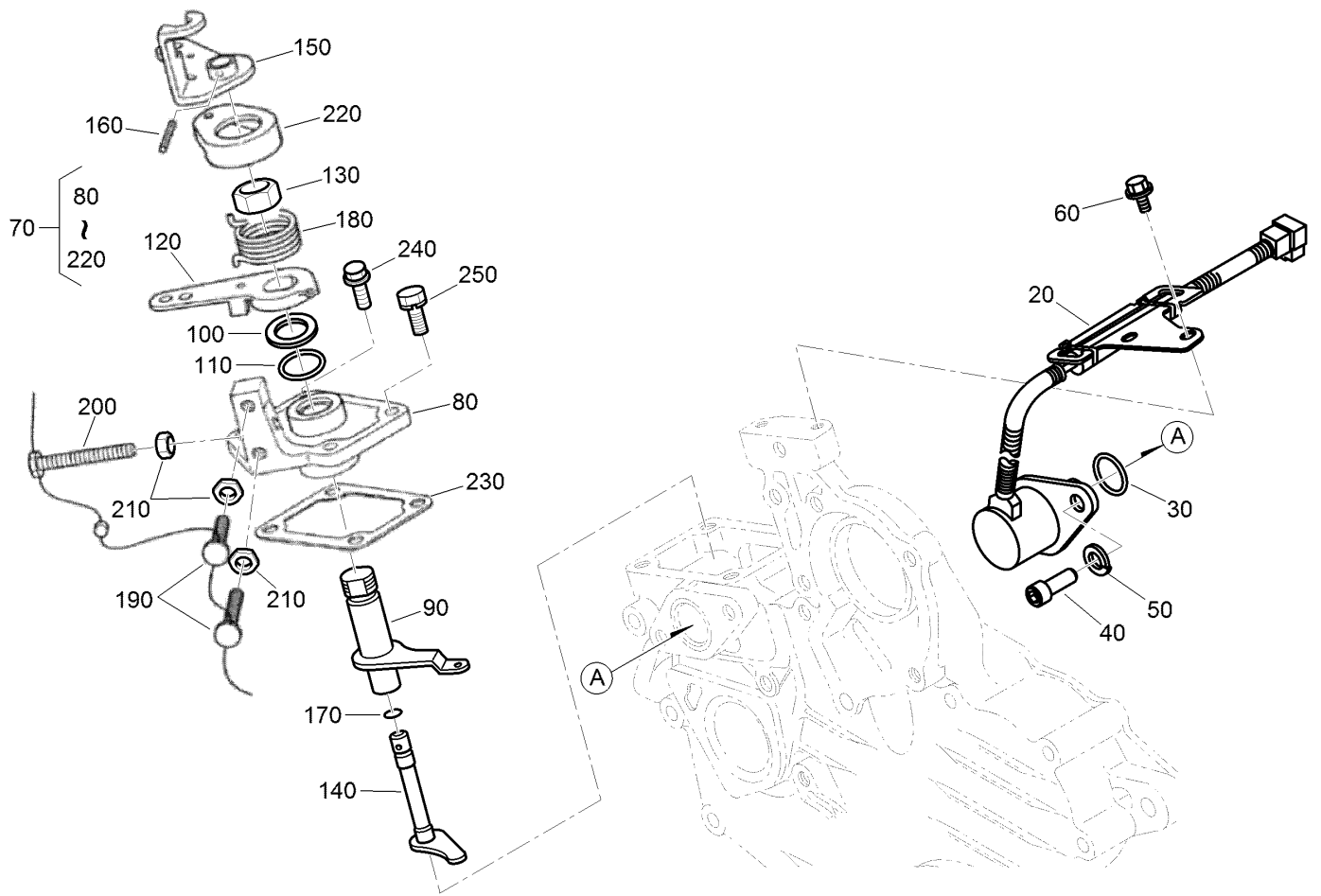
Fuel Camshaft Assembly

Ref.	Part Number	Qty.	Description
10	125-9075	1	Fuel Camshaft ASM
30	100-1795	1	Bearing-Ball
40	100-2006	1	Gear-Pump, Injection
50	100-1752	1	Key-Feather
60	112-8336	1	Sleeve-Governor
70	100-1904	1	Case-Ball, Governor
80	100-1790	32	Ball
90	100-1843	1	Circ-Clip
100	100-1793	8	Ball
110	110-3757	1	Bearing-Ball
120	100-1784	1	Circ-Clip, External
130	100-1888	1	Stopper-Fuel, Camshaft
140	98-9350	2	Bolt



Idle Apparatus and Fuel Pump Cover Assembly

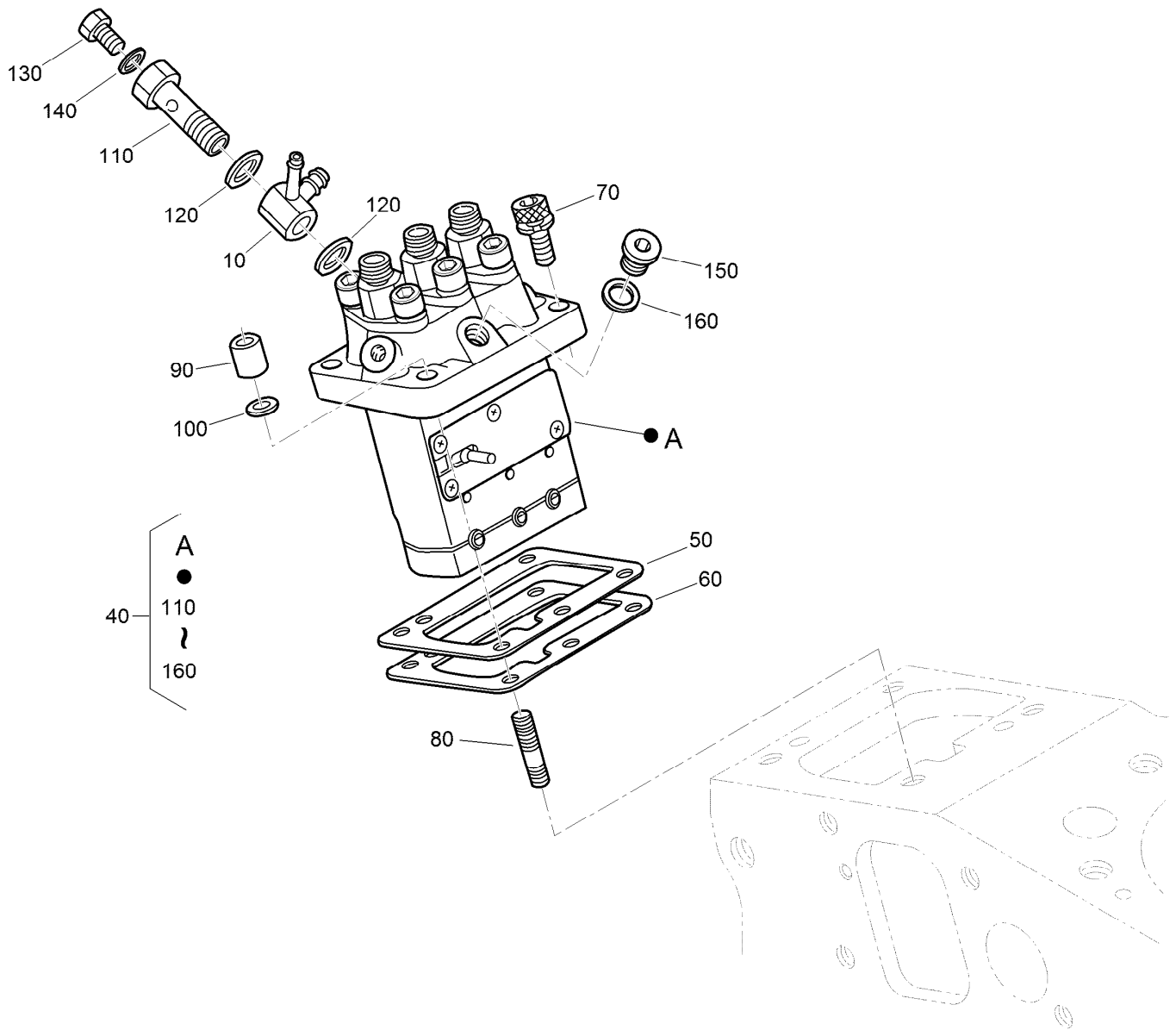
Ref.	Part Number	Qty.	Description
10	100-1898	1	Idle Apparatus ASM
20	100-1899	1	Adjusting Bolt ASM
30	100-1846	1	Nut
40	100-1901	1	Nut-Cap
50	98-7428	2	Gasket
60	100-1902	1	Cap
70	110-3758	1	Bolt-Adjusting
80	100-2175	1	Nut-Lock
90	98-7654	1	Gasket
95	107-9081	1	Gasket
100	99-8387	1	Nut-Cap
110	99-3514	1	Cover
120	98-9636	1	Gasket-Pump, Fuel
130	98-7692	2	Bolt



Stop Solenoid and Speed Control Plate Assembly

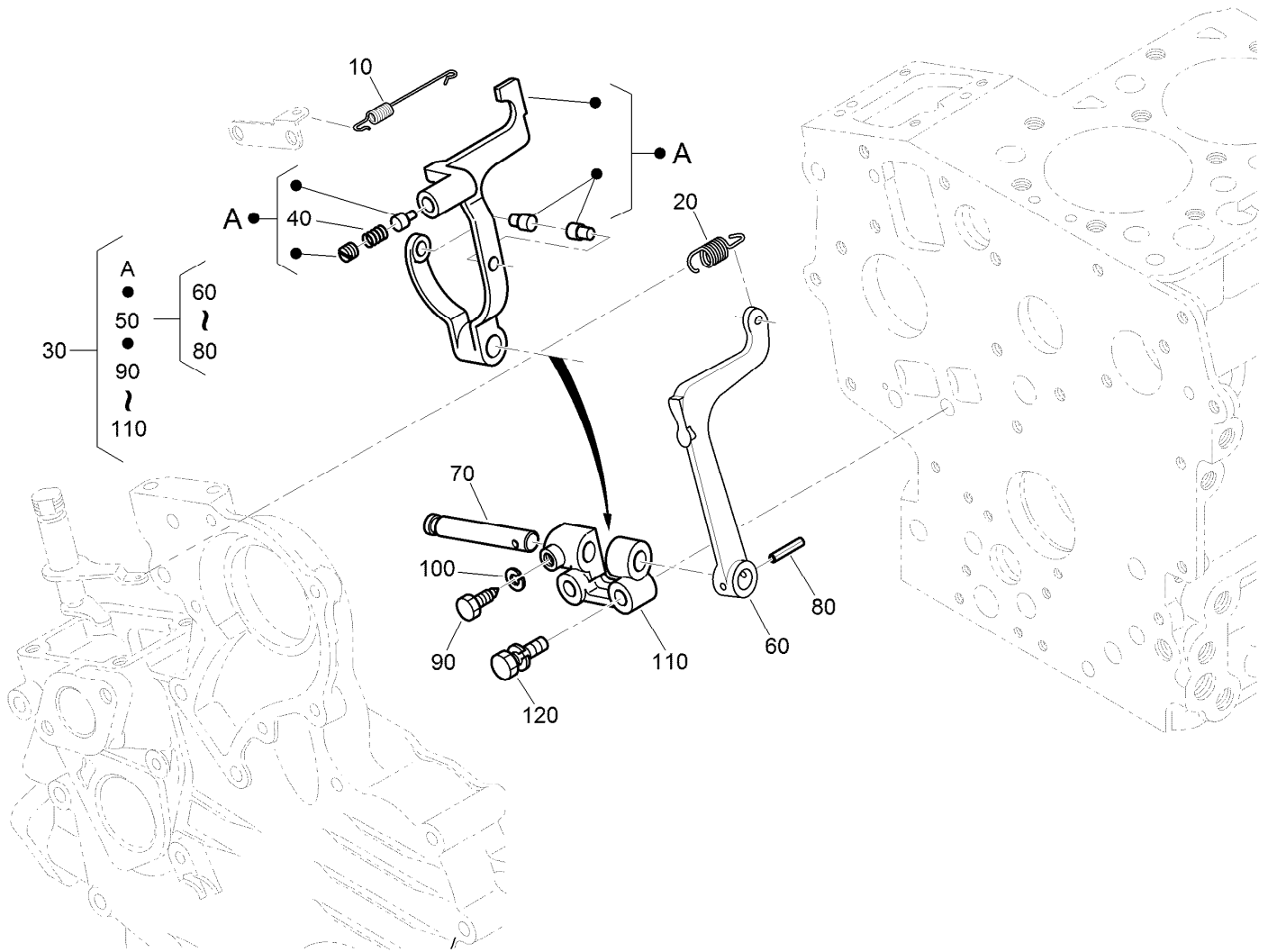
Ref.	Part Number	Qty.	Description
20	117-2719	1	Solenoid Stop ASM
30	110-3762	1	O-Ring
40	110-3763	2	Bolt-HSH
50	98-7699	2	Washer-Spring
60	100-1774	2	Bolt-Flange
70	110-3769	1	Speed Control Plate ASM
80	110-3770	1	Plate-Control, Speed
90	110-3771	1	Lever-Governor
100	110-3772	1	Collar
110	100-2208	1	O-Ring
120	110-3773	1	Lever-Control, Speed
130	110-3774	1	Nut-Control, Speed

Ref.	Part Number	Qty.	Description
140	110-3775	1	Shaft-Lever
150	110-3776	1	Lever-Stop, Engine
160	110-3777	1	Pin-Spring
170	100-2207	1	O-Ring
180	110-3778	1	Spring-Return
190	120-3133	2	Screw-Stopper
200	120-3134	1	Bolt
210	98-7572	3	Nut
220	110-3779	1	Cap
230	100-1962	1	Gasket-Plate, Control
240	127-0403	2	Bolt-Flange
250	112-2507	2	Bolt



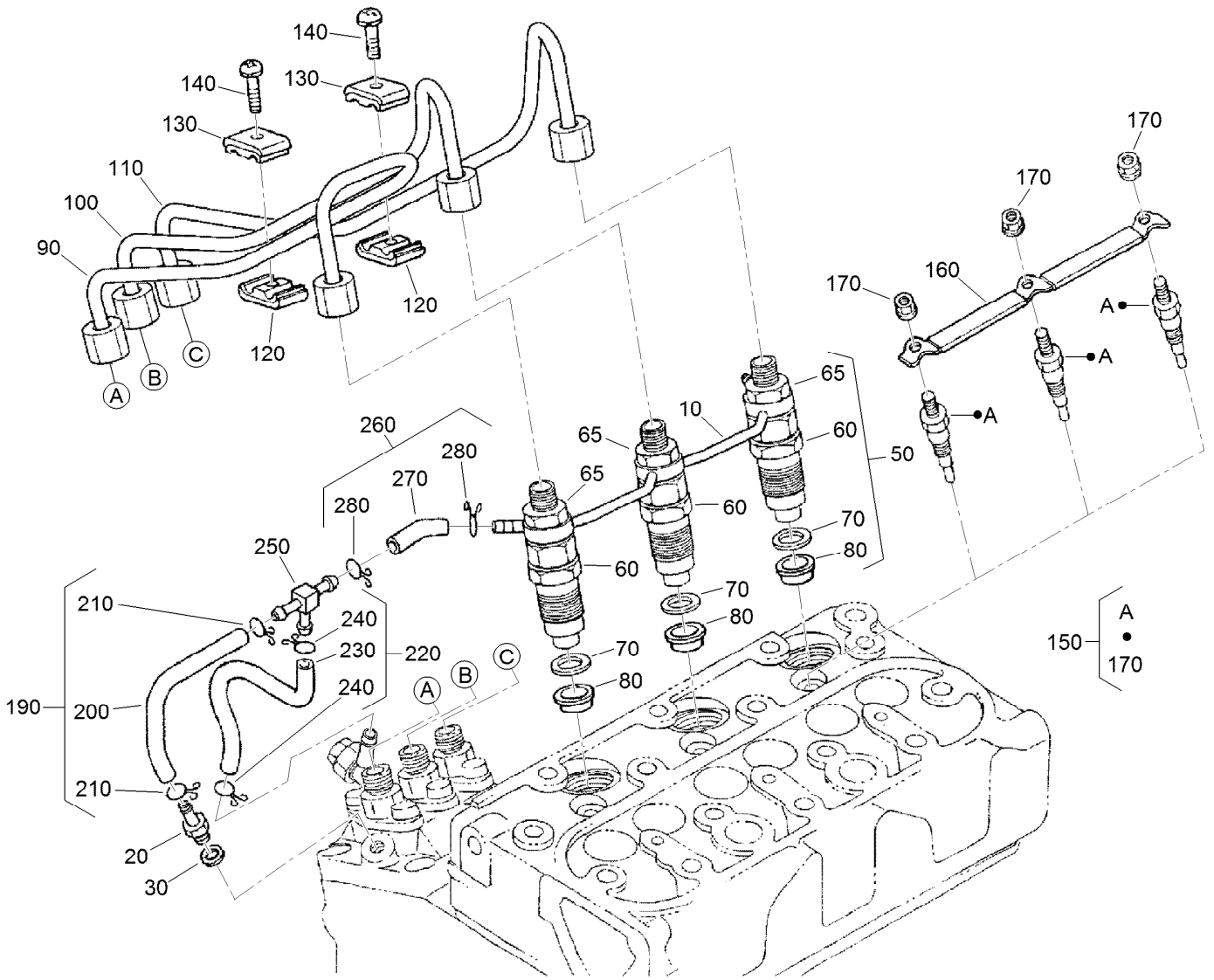
Injection Pump Assembly

<i>Ref.</i>	<i>Part Number</i>	<i>Qty.</i>	<i>Description</i>	<i>Ref.</i>	<i>Part Number</i>	<i>Qty.</i>	<i>Description</i>
10	110-3764	1	Joint	90	98-9440	2	Nut-Cap
40	110-3765	1	Injection Pump ASM	100	98-7699	2	Washer-Spring
50	115-3045	1	Shim-Injection (0.175Mm)	110	100-1896	1	Screw-Hollow
50	98-9456	1	Shim-Injection (0.20Mm)	120	98-9445	2	Gasket
50	98-9457	1	Shim-Injection (0.25Mm)	130	98-9430	1	Screw
60	98-9458	1	Shim-Injection (0.30Mm)	140	98-9446	1	Gasket
60	115-3046	1	Shim-Injection (0.35Mm)	150	98-9466	1	Plug
70	117-7564	2	Bolt-Hex Soc HD	160	98-9451	1	Gasket
80	98-9438	2	Stud				



Governor Assembly

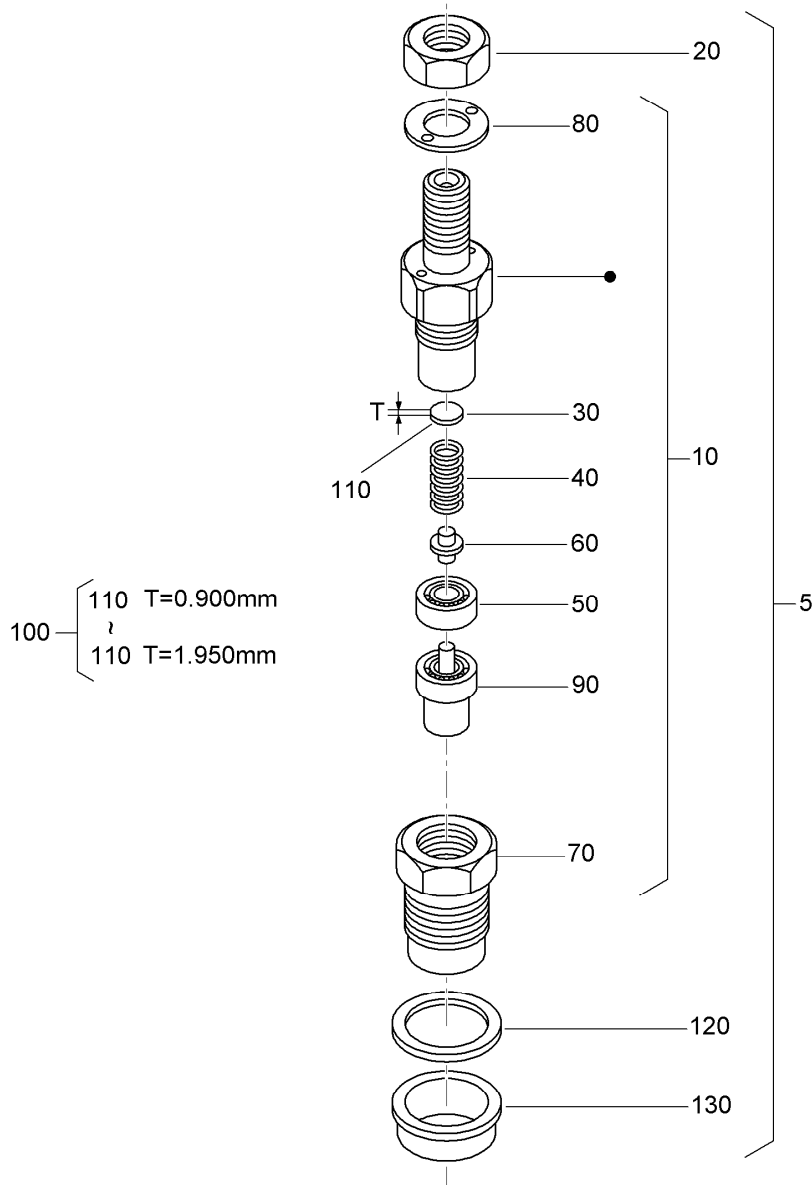
Ref.	Part Number	Qty.	Description
10	110-3766	1	Spring-Start
20	110-3767	1	Spring-Governor
30	130-1367	1	Fork Lever ASM
40	121-3803	1	Spring
50	100-1905	1	Fork Lever ASM
60	100-1907	1	Lever-Fork
70	100-1908	1	Shaft-Lever, Fork
80	100-1751	1	Pin-Spring
90	100-1845	1	Bolt
100	127-0408	1	Washer-Lock, Spring
110	100-1909	1	Holder-Lever, Fork
120	100-1763	2	Bolt



Nozzle Holder and Glow Plug Assembly

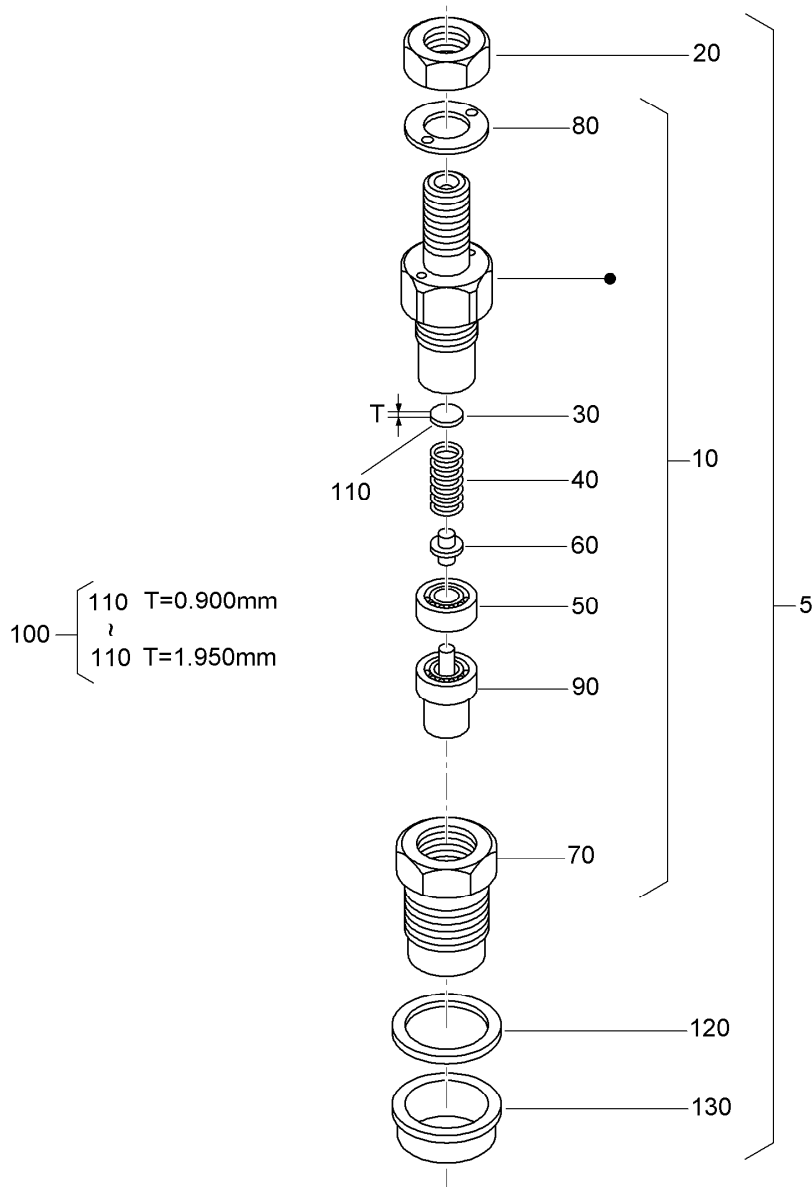
Ref.	Part Number	Qty.	Description
10	110-3780	1	Over Flow Pipe ASM
20	98-9431	1	Screw-Bleeder, Air
30	98-7654	1	Gasket
50	130-1305	3	Nozzle Holder Kit
60	130-1303	3	Nozzle Holder ASM
65	121-2411	3	Nut
70	98-7676	3	Gasket
80	98-7677	3	Seal-Heat
90	130-1522	1	Pipe-Injection
100	130-1523	1	Pipe-Injection
110	130-1541	1	Pipe-Injection
120	98-7682	2	Clamp-Pipe
130	98-7683	2	Clamp-Pipe
140	98-7684	2	Screw (W/Washer)

Ref.	Part Number	Qty.	Description
150	130-1411	3	Plug-Glow
160	110-3784	1	Cord-Plug, Glow
170	99-8377	3	Nut-Flange
190	110-3785	1	Fuel Tube ASM
200	110-3786	1	Tube-Fuel
210	98-7671	2	Clip-Pipe
220	110-3787	1	Fuel Tube ASM
230	110-3788	1	Tube-Fuel
240	98-7671	2	Clip-Pipe
250	112-8338	1	Pipe-Joint, T
260	110-3790	1	Fuel Tube ASM
270	110-3791	1	Tube-Fuel
280	98-7671	2	Clip-Pipe



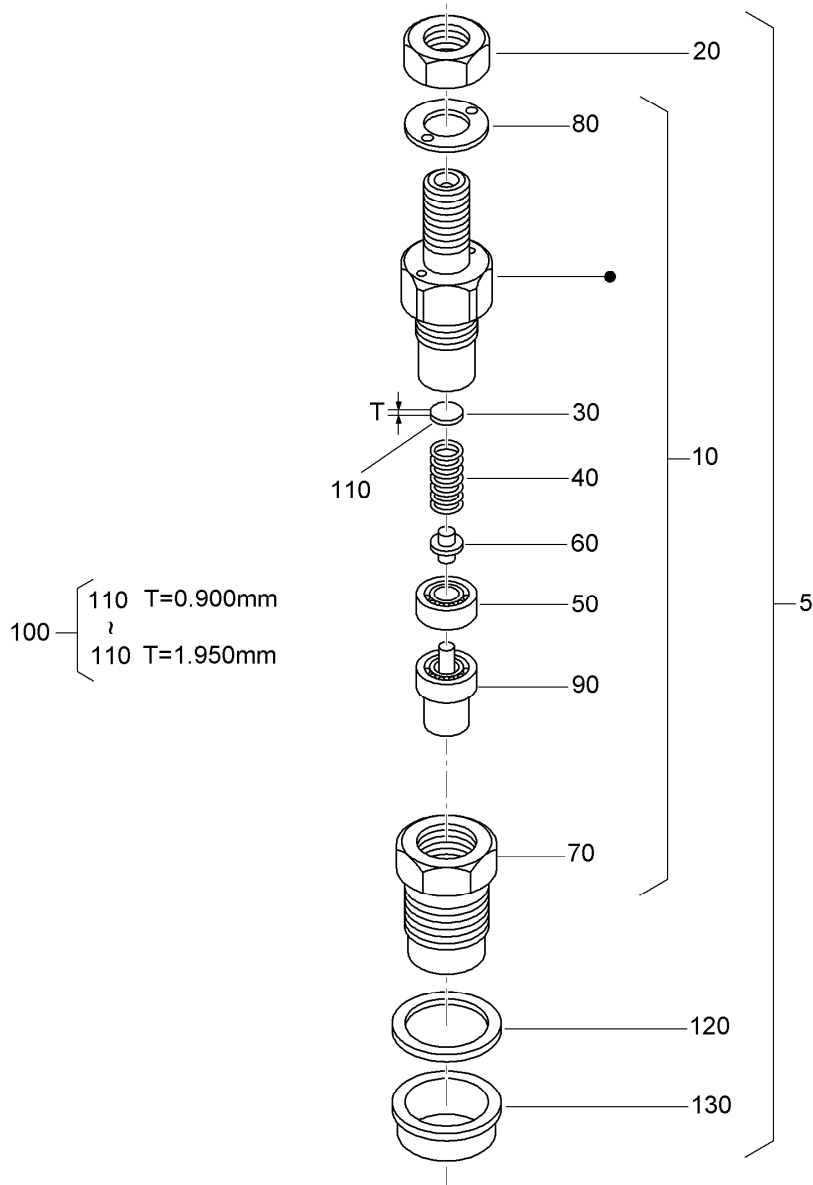
Nozzle Holder Assembly

Ref.	Part Number	Qty.	Description	Ref.	Part Number	Qty.	Description
5	130-1305	3	Nozzle Holder Kit	110	98-7845	3	Washer-Adjusting (1.025Mm)
10	130-1303	3	Nozzle Holder ASM	110	98-7846	3	Washer-Adjusting (1.050Mm)
20	121-2411	3	Nut	110	98-7847	3	Washer-Adjusting (1.075Mm)
30	99-8302	3	Washer-Adjusting	110	98-7848	3	Washer-Adjusting (1.100Mm)
40	99-8303	3	Spring-Nozzle	110	98-7849	3	Washer-Adjusting (1.125Mm)
50	99-8304	3	Spacer-Distance	110	98-7850	3	Washer-Adjusting (1.150Mm)
60	99-8305	3	Rod-Push	110	98-7851	3	Washer-Adjusting (1.175Mm)
70	130-1304	3	Nut-Nozzle	110	98-7852	3	Washer-Adjusting (1.200Mm)
80	99-8307	3	Washer-Plain	110	98-7853	3	Washer-Adjusting (1.225Mm)
90	130-1497	3	Nozzle-Piece	110	98-7854	3	Washer-Adjusting (1.250Mm)
100	98-9448	3	Adjusting Washer ASM				
110	98-7642	3	Washer-Adjusting (0.900Mm)				
110	98-7841	3	Washer-Adjusting (0.925Mm)				
110	98-7842	3	Washer-Adjusting (0.950Mm)				
110	98-7843	3	Washer-Adjusting (0.975Mm)				
110	98-7844	3	Washer-Adjusting (1.000Mm)				



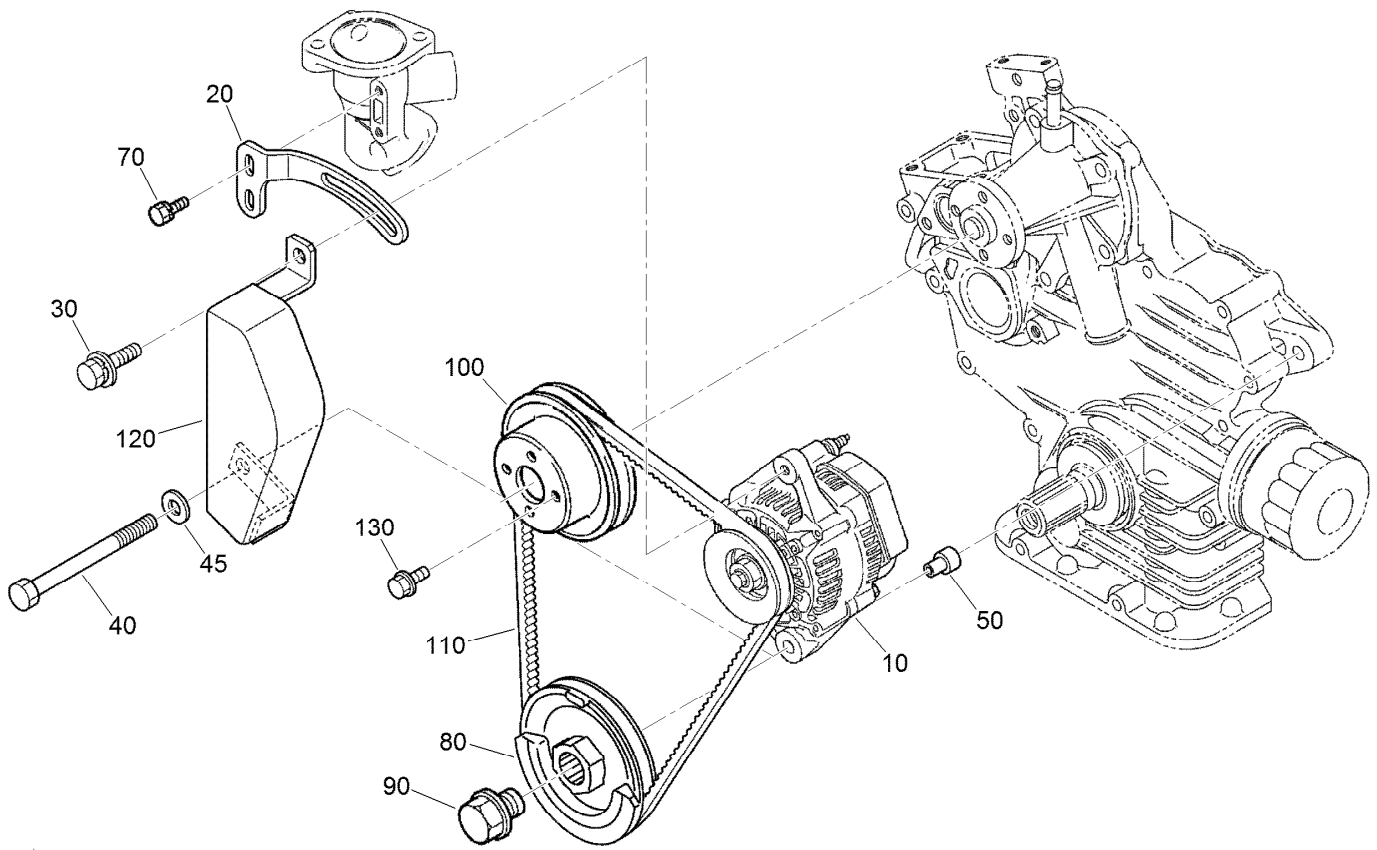
Nozzle Holder Assembly (continued)

<i>Ref.</i>	<i>Part Number</i>	<i>Qty.</i>	<i>Description</i>	<i>Ref.</i>	<i>Part Number</i>	<i>Qty.</i>	<i>Description</i>
110	98-7855	3	Washer-Adjusting (1.275Mm)	110	98-7865	3	Washer-Adjusting (1.525Mm)
110	98-7856	3	Washer-Adjusting (1.300Mm)	110	98-7866	3	Washer-Adjusting (1.550Mm)
110	98-7857	3	Washer-Adjusting (1.325Mm)	110	98-7867	3	Washer-Adjusting (1.575Mm)
110	98-7858	3	Washer-Adjusting (1.350Mm)	110	98-7868	3	Washer-Adjusting (1.600Mm)
110	98-7859	3	Washer-Adjusting (1.375Mm)	110	98-7869	3	Washer-Adjusting (1.625Mm)
110	98-7860	3	Washer-Adjusting (1.400Mm)	110	98-7870	3	Washer-Adjusting (1.650Mm)
110	98-7861	3	Washer-Adjusting (1.425Mm)	110	98-7871	3	Washer-Adjusting (1.675Mm)
110	98-7862	3	Washer-Adjusting (1.450Mm)	110	98-7872	3	Washer-Adjusting (1.700Mm)
110	98-7863	3	Washer-Adjusting (1.475Mm)	110	98-7873	3	Washer-Adjusting (1.725Mm)
110	98-7864	3	Washer-Adjusting (1.500Mm)	110	98-7874	3	Washer-Adjusting (1.750Mm)



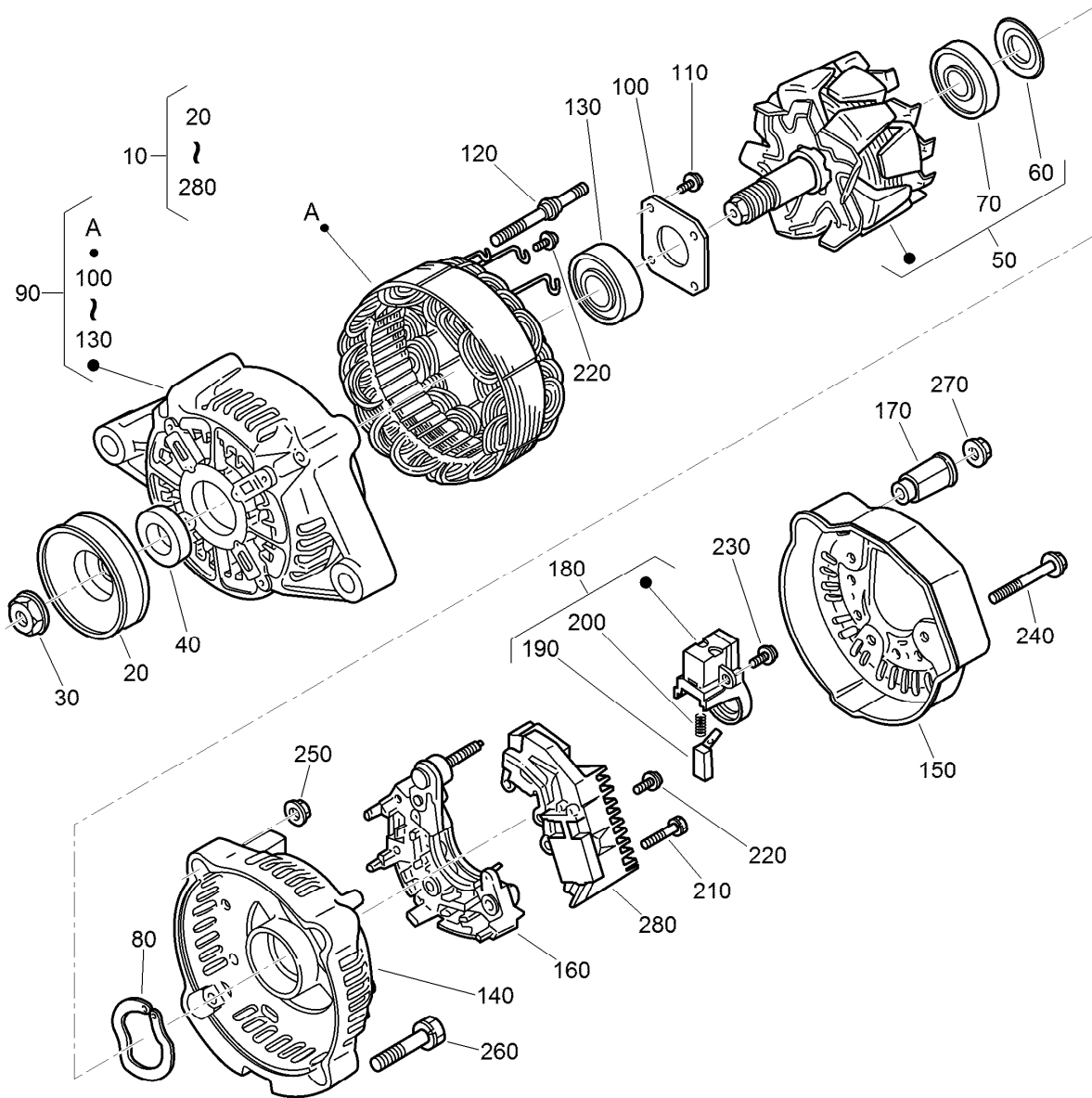
Nozzle Holder Assembly (continued)

<i>Ref.</i>	<i>Part Number</i>	<i>Qty.</i>	<i>Description</i>	<i>Ref.</i>	<i>Part Number</i>	<i>Qty.</i>	<i>Description</i>
110	98-7875	3	Washer-Adjusting (1.775Mm)	110	98-7880	3	Washer-Adjusting (1.900Mm)
110	98-7876	3	Washer-Adjusting (1.800Mm)	110	98-7881	3	Washer-Adjusting (1.925Mm)
110	98-7877	3	Washer-Adjusting (1.825Mm)	110	98-7882	3	Washer-Adjusting (1.950Mm)
110	98-7878	3	Washer-Adjusting (1.850Mm)	120	98-7676	3	Gasket
110	98-7879	3	Washer-Adjusting (1.875Mm)	130	98-7677	3	Seal-Heat



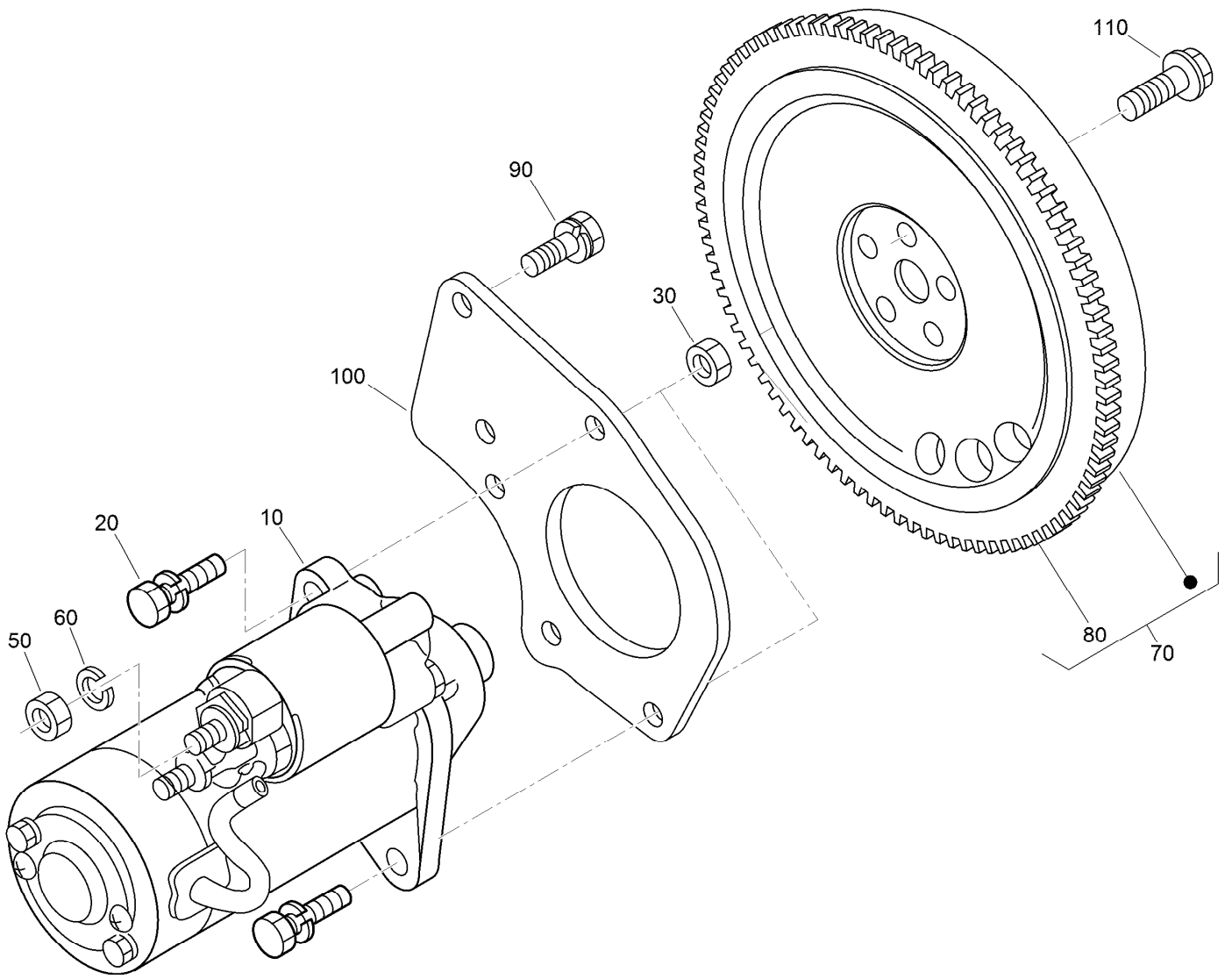
Alternator and Pulley Assembly

<i>Ref.</i>	<i>Part Number</i>	<i>Qty.</i>	<i>Description</i>
10	98-9474	1	Alternator ASM
20	110-3792	1	Stay-Alternator
30	121-3800	1	Bolt-Sems
40	110-3793	1	Bolt
45	120-5832	1	Washer-Plain
50	110-3794	1	Collar
70	98-7692	2	Bolt
80	110-3795	1	Pulley-Drive, Fan
90	100-1978	1	Bolt
100	100-1921	1	Pulley-Fan
110	110-3796	1	Belt-V
120	110-3797	1	Cover
130	99-8363	4	Bolt-Flange



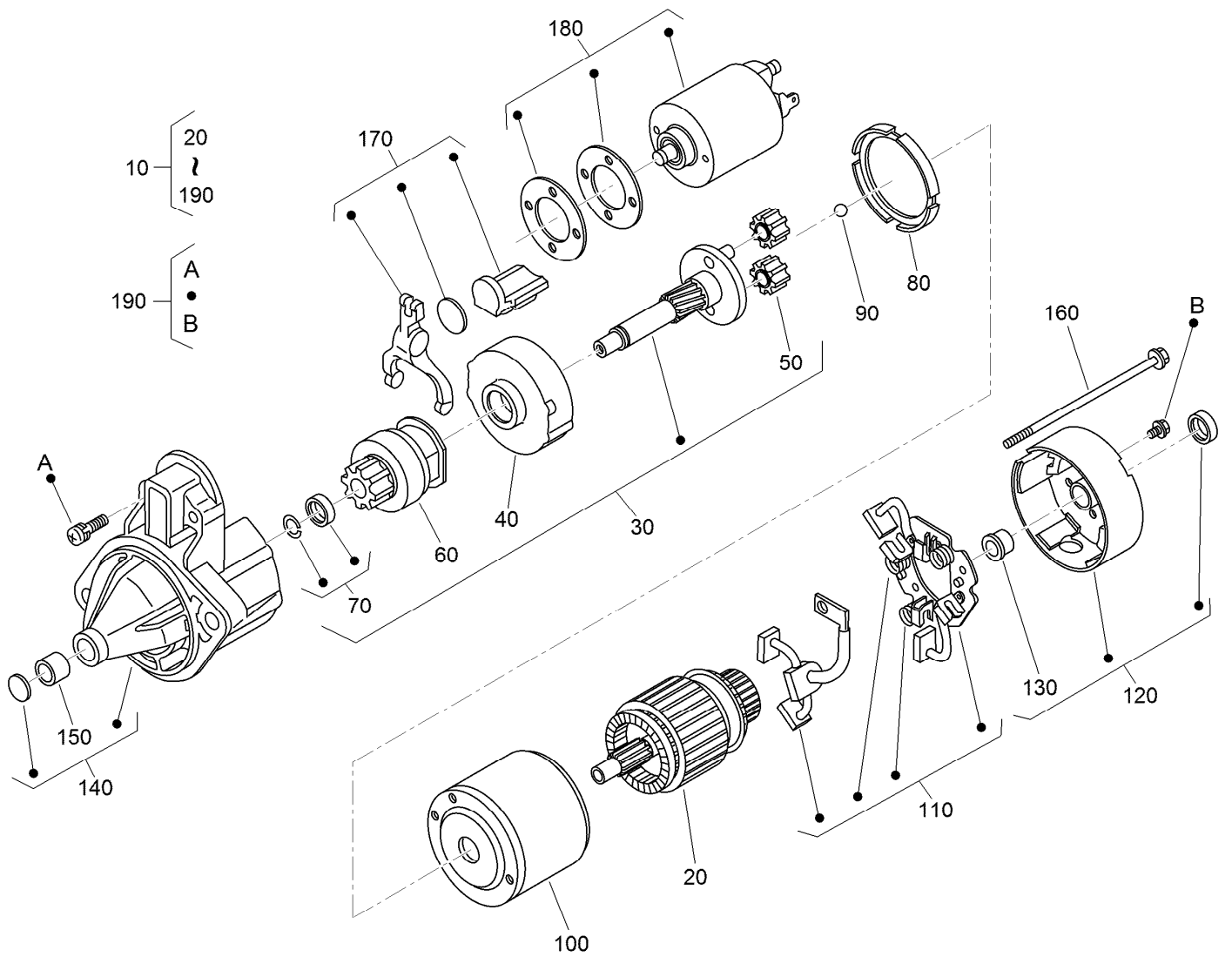
Alternator Components Assembly

Ref.	Part Number	Qty.	Description	Ref.	Part Number	Qty.	Description
10	98-9474	1	Alternator ASM	150	107-0140	1	Cover-End
20	98-9453	1	Pulley-Dynamo	160	127-1612	1	Rectifier ASM
30	98-7708	1	Nut	170	98-7722	1	Bushing-Insulation
40	98-7709	1	Collar	180	107-0141	1	Brush Holder ASM
50	107-0136	1	Rotor ASM	190	98-7724	2	Brush
60	98-7711	1	Cover-Bearing	200	98-7725	2	Spring-Brush
70	107-0138	1	Bearing-Ball	210	98-7726	2	Screw-Head, Round
80	98-7713	1	Washer-Thrust	220	98-7727	6	Screw-Head, Round
90	107-0139	1	Drive End Frame ASM	230	98-7728	1	Screw-Head, Round
100	98-7715	1	Plate-Retainer	240	98-7729	3	Bolt
110	98-7716	4	Screw-Head, Round	250	98-7730	2	Nut
120	98-7717	2	Bolt-Through	260	98-7731	2	Bolt
130	133-2811	1	Bearing	270	98-7732	1	Nut
140	107-9087	1	Frame-End	280	110-3799	1	Regulator ASM



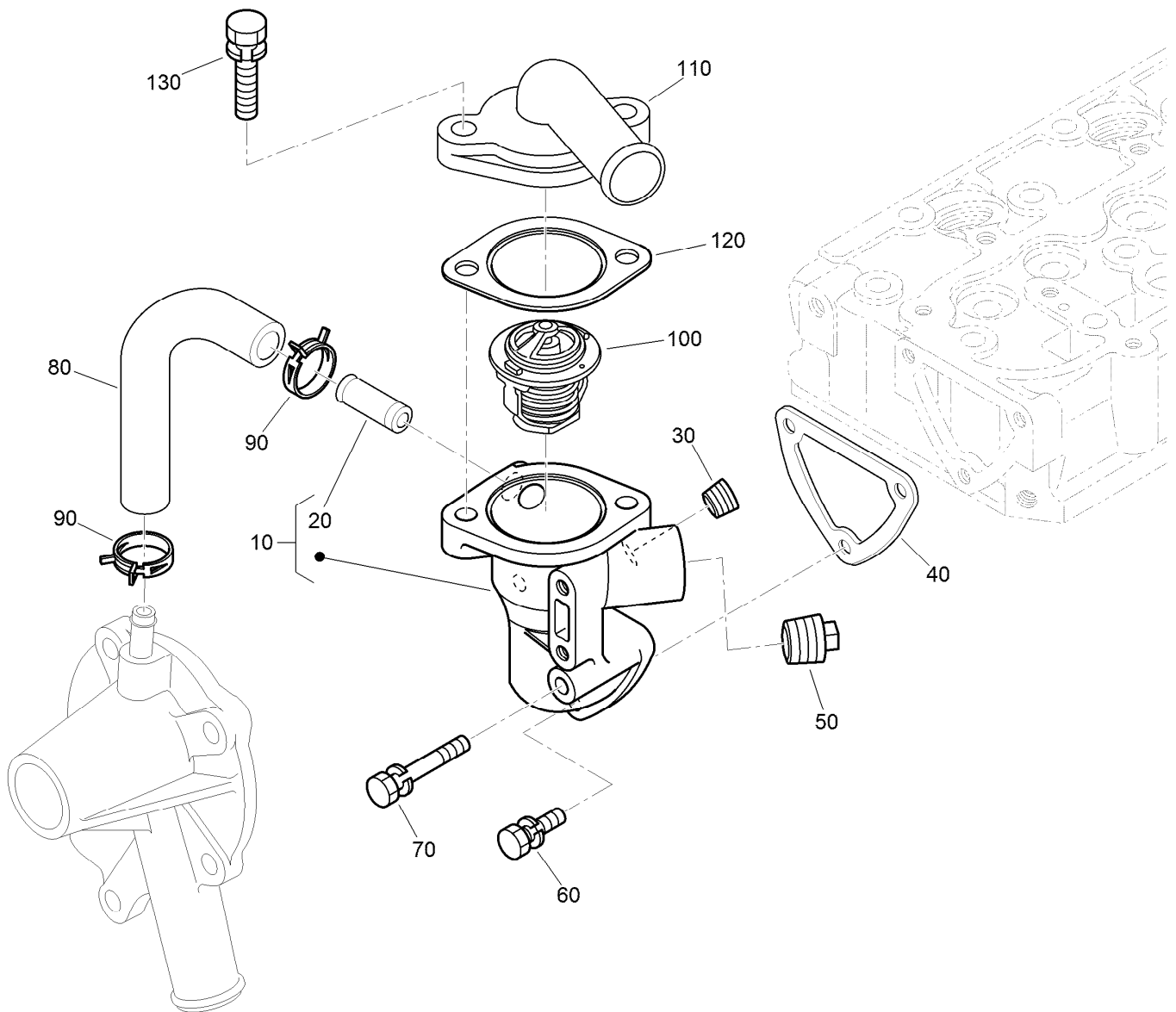
Starter and Flywheel Assembly

Ref.	Part Number	Qty.	Description
10	110-3800	1	Starter ASM
20	98-7697	2	Bolt
30	98-7534	2	Nut
50	98-7534	1	Nut
60	105-2893	1	Washer-Spring
70	130-1496	1	Flywheel ASM
80	127-1604	1	Gear-Ring
90	100-1930	5	Bolt-Flywheel
100	117-0323	1	Plate-End, Rear
110	110-3754	3	Bolt



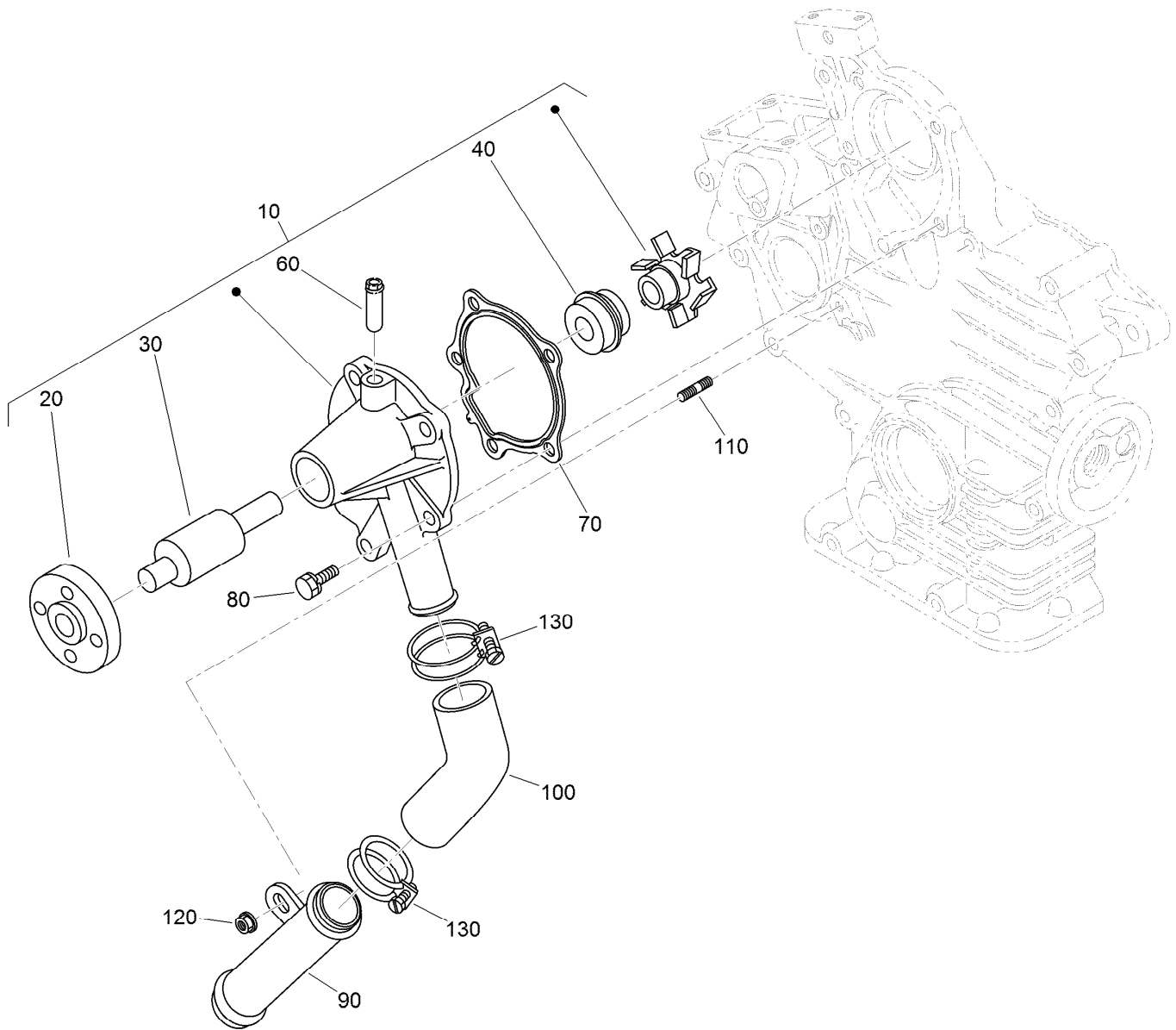
Starter Component Assembly

<i>Ref.</i>	<i>Part Number</i>	<i>Qty.</i>	<i>Description</i>	<i>Ref.</i>	<i>Part Number</i>	<i>Qty.</i>	<i>Description</i>
10	110-3800	1	Starter ASM	110	110-3810	1	Brush Holder ASM
20	110-3801	1	Armature	120	110-3811	1	Rear Bracket ASM
30	110-3802	1	Shaft ASM	130	110-3812	1	Bushing
40	120-3142	1	Gear-Internal	140	110-3813	1	Front Bracket ASM
50	110-3804	3	Gear-Planetary	150	110-3814	1	Bushing
60	110-3805	1	Clutch-Running, Over	160	110-3815	2	Bolt
70	110-3806	1	Stopper	170	110-3816	1	Fork Lever ASM
80	120-3143	1	Gasket	180	125-9099	1	Switch-Magnetic
90	110-3808	1	Ball	190	110-3818	1	Screws (Set Of 4)
100	130-1295	1	Yoke				



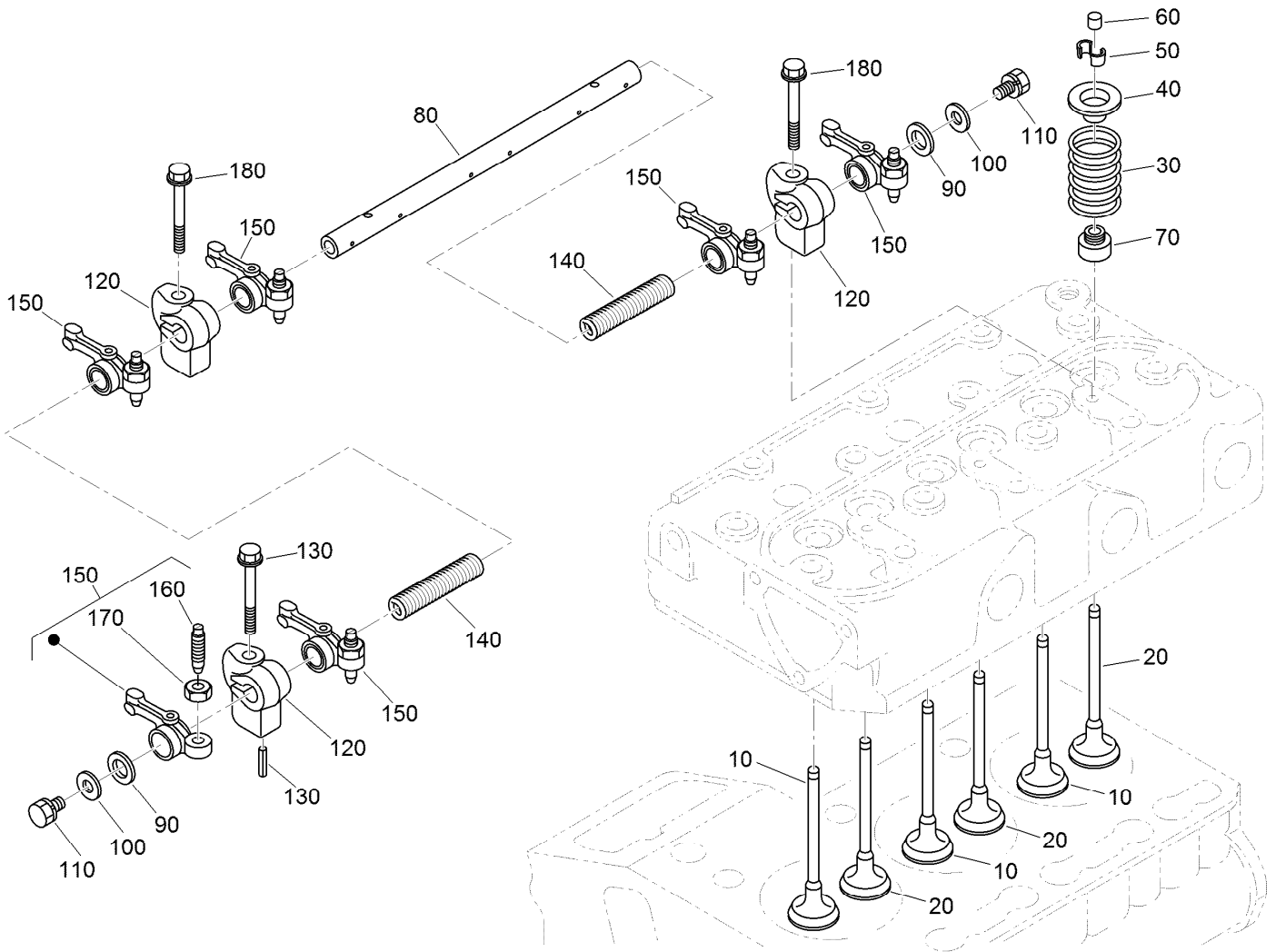
Water Flange and Thermostat Assembly

<i>Ref.</i>	<i>Part Number</i>	<i>Qty.</i>	<i>Description</i>
10	110-3819	1	Water Flange ASM
20	98-9580	1	Pipe-Return, Water
30	98-9444	1	Plug
40	110-3820	1	Gasket-Flange, Water
50	110-3821	1	Plug
60	98-7692	2	Bolt
70	125-9063	1	Bolt-Sems
80	110-3822	1	Pipe-Return, Water
90	125-9078	2	Clamp-Hose
100	98-7778	1	Thermostat ASM
110	110-3823	1	Cover-Thermostat
120	105-3748	1	Gasket-Thermostat
130	98-7777	2	Bolt



Water Pump and Water Pipe Assembly

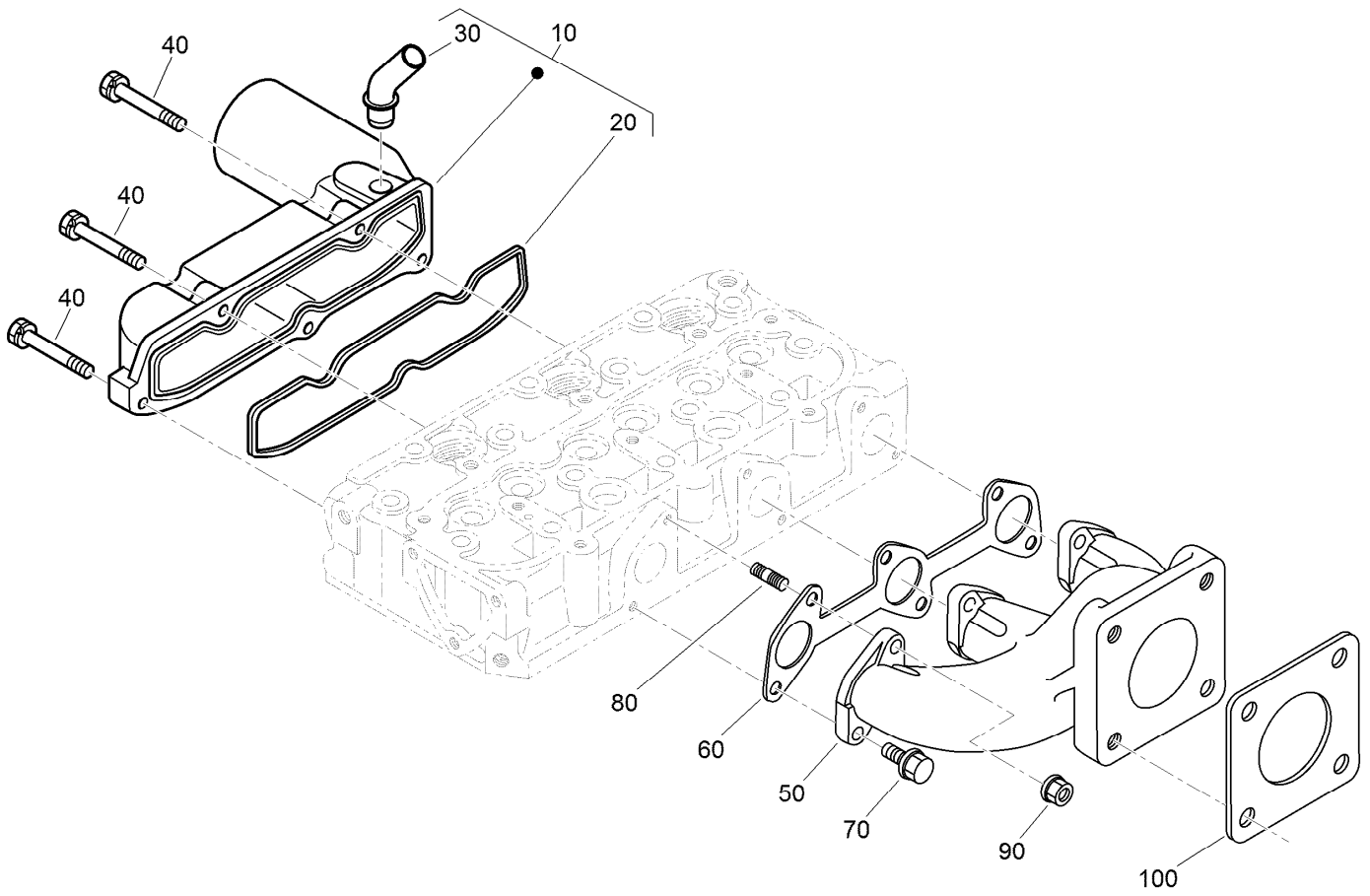
<i>Ref.</i>	<i>Part Number</i>	<i>Qty.</i>	<i>Description</i>
10	110-3824	1	Water Pump ASM
20	125-9081	1	Flange-Pump, Water
30	100-1934	1	Bearing-Ball
40	99-3518	1	Water Pump Seal ASM
60	100-1932	1	Pipe-Return, Water
70	117-0330	1	Gasket-Pump, Water
80	100-1750	4	Bolt
90	100-1918	1	Pipe-Water
100	110-3827	1	Pipe-Water
110	100-1924	1	Stud
120	100-2203	1	Nut-Flange
130	110-3828	2	Band-Pipe



Valve and Rocker Arm Assembly

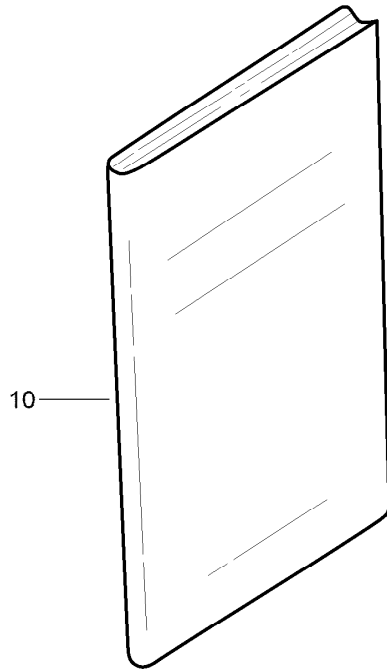
Ref.	Part Number	Qty.	Description
10	112-2514	3	Valve-Inlet
20	112-2515	3	Valve-Exhaust
30	100-1823	6	Spring-Valve
40	100-1825	6	Retainer-Spring, Valve
50	120-3136	6	Collet-Spring, Valve
60	100-2155	6	Cap-Valve
70	100-1797	6	Seal-Stem, Valve
80	112-8341	1	Shaft-Arm, Rocker
90	100-2044	2	Washer

Ref.	Part Number	Qty.	Description
100	110-3832	2	Washer-Plain
110	100-1762	2	Bolt
120	110-3833	3	Bracket-Arm, Rocker
130	98-7602	1	Pin-Spring
140	112-8342	2	Spring
150	100-1884	6	Rocker Arm ASM
160	100-1885	6	Screw-Adjusting
170	100-1827	6	Nut
180	110-3834	3	Bolt-Flange



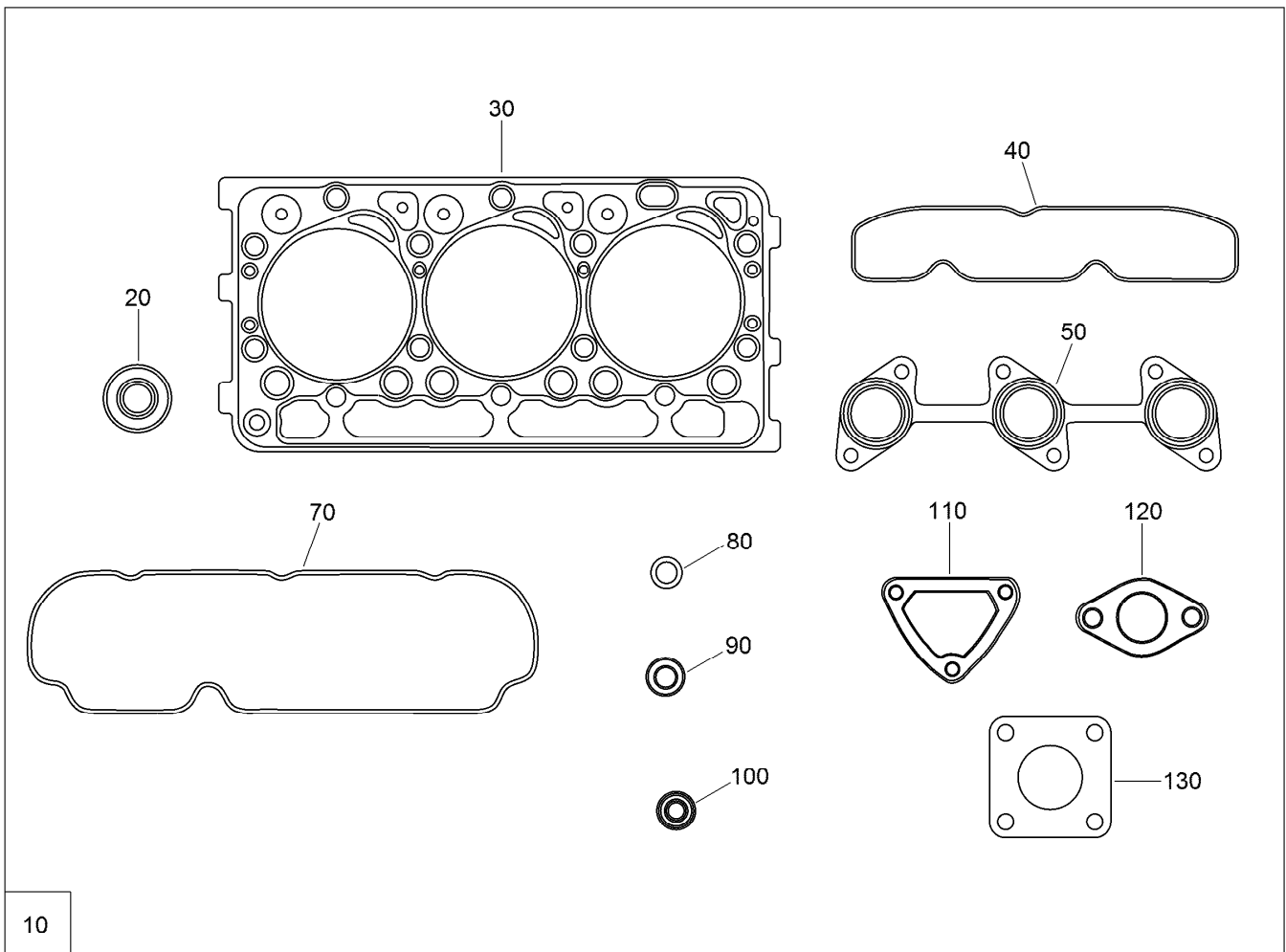
Inlet and Exhaust Manifold Assembly

<i>Ref.</i>	<i>Part Number</i>	<i>Qty.</i>	<i>Description</i>
10	120-3141	1	Intake Manifold ASM
20	110-3838	1	Gasket-Manifold, Intake
30	121-2417	1	Pipe-Breather
40	98-9352	5	Bolt
50	110-3839	1	Manifold-Exhaust
60	110-3840	1	Gasket-Manifold, Exhaust
70	130-1154	3	Screw-Hex HD
80	130-1156	3	Bolt-Stud
90	100-1778	3	Nut
100	99-8343	1	Gasket-Muffler



Miscellaneous Engine Parts

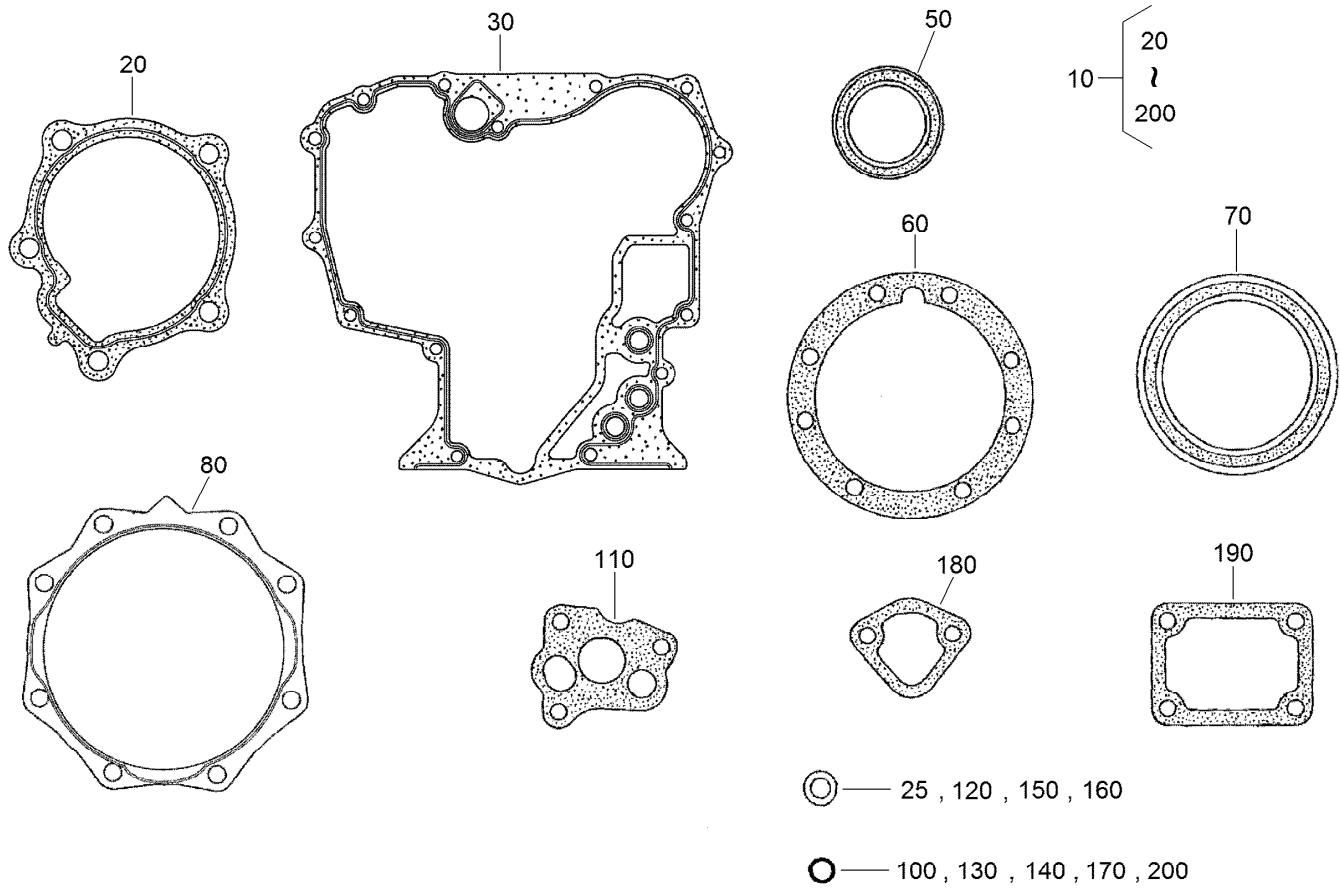
<i>Ref.</i>	<i>Part Number</i>	<i>Qty.</i>	<i>Description</i>
10	130-1513	1	Manual-Operator



10

Upper Engine Gasket Kit

Ref.	Part Number	Qty.	Description
10	112-2518	1	Upper Gasket Kit
20	100-1797	6	Seal-Stem, Valve
30	112-2520	1	Gasket-Head, Cylinder
40	110-3838	1	Gasket-Manifold, Intake
50	110-3840	1	Gasket-Manifold, Exhaust
70	112-2521	1	Gasket-Cover, Head
80	99-3446	1	O-Ring
90	98-7676	3	Gasket
100	98-7677	3	Seal-Heat
110	110-3820	1	Gasket-Flange, Water
120	105-3748	1	Gasket-Thermostat
130	99-8343	1	Gasket-Muffler



Lower Engine Gasket Kit

Ref.	Part Number	Qty.	Description	Ref.	Part Number	Qty.	Description
10	117-0331	1	Lower Gasket Kit	120	98-7654	1	Gasket
20	117-0330	1	Gasket-Pump, Water	130	105-3776	1	O-Ring
25	98-7524	1	Gasket	140	100-2207	1	O-Ring
30	117-0327	1	Gasket-Case, Gear	150	98-7654	2	Gasket
50	120-7852	1	Seal-Oil	160	110-9715	1	Gasket-Pan, Oil
60	100-1873	1	Gasket-Case, Bearing	170	100-2208	1	O-Ring
70	110-3724	1	Seal-Oil	180	98-9636	1	Gasket-Pump, Fuel
80	100-1876	1	Gasket-Cover, Case	190	100-1962	1	Gasket-Plate, Control
100	100-2209	1	O-Ring	200	110-3762	1	O-Ring
110	100-2003	1	Gasket-Pump, Oil				

Attachments and Accessories

For 72279TE Z Master Professional 7000 Series Riding Mower With 132cm TURBO FORCE Rear Discharge Mower

Product Name	Model/Part
TÜV Kit - Speed Decal 20kph	02980
TÜV Kit - German Vehicle Serial Plate	02983
1.25in Spark Arrester Kit	105-1672
Light Kit	107-9880
Fuse-In Line	111-5101
Z593 Musterbericht	111-5135
TÜV Kit Instructions	111-5244
TÜV Kit Instructions	111-5911
Z593 Manufacturers Certificate	111-5967
Hypr-Oil 500 (quart)	114-4713
Hypr-Oil 500 (gallon)	114-4714
Hypr-Oil 500-5 (5 gallon)	114-4715
Bimini Folding Shade Assembly	115-4510
Seat Cover W/arm rest	117-0095
ROPS Pin Kit	126-1339
Blade-18.00 High Flow	140-1242
Blade-18.00 Medium Flow	140-4856
Blade-18.00 Low Flow	140-4857
Blade-18.00 Atomic	140-4858
Blade-18.00 Recycler	140-4859
6 Pack-Blade, 18.00 High Flow	140-4882
6 Pack-Blade, 18.00 Med Flow	140-4883
6 Pack-Blade, 18.00 Low Flow	140-4884
6 Pack-Blade, 18.00 Atomic	140-4885
6 Pack-Blade, 18.00 Recycler	140-4886
Filter Minder Gauge	99-4664
Hitch Kit	99-8925

Notes:



Count on it.