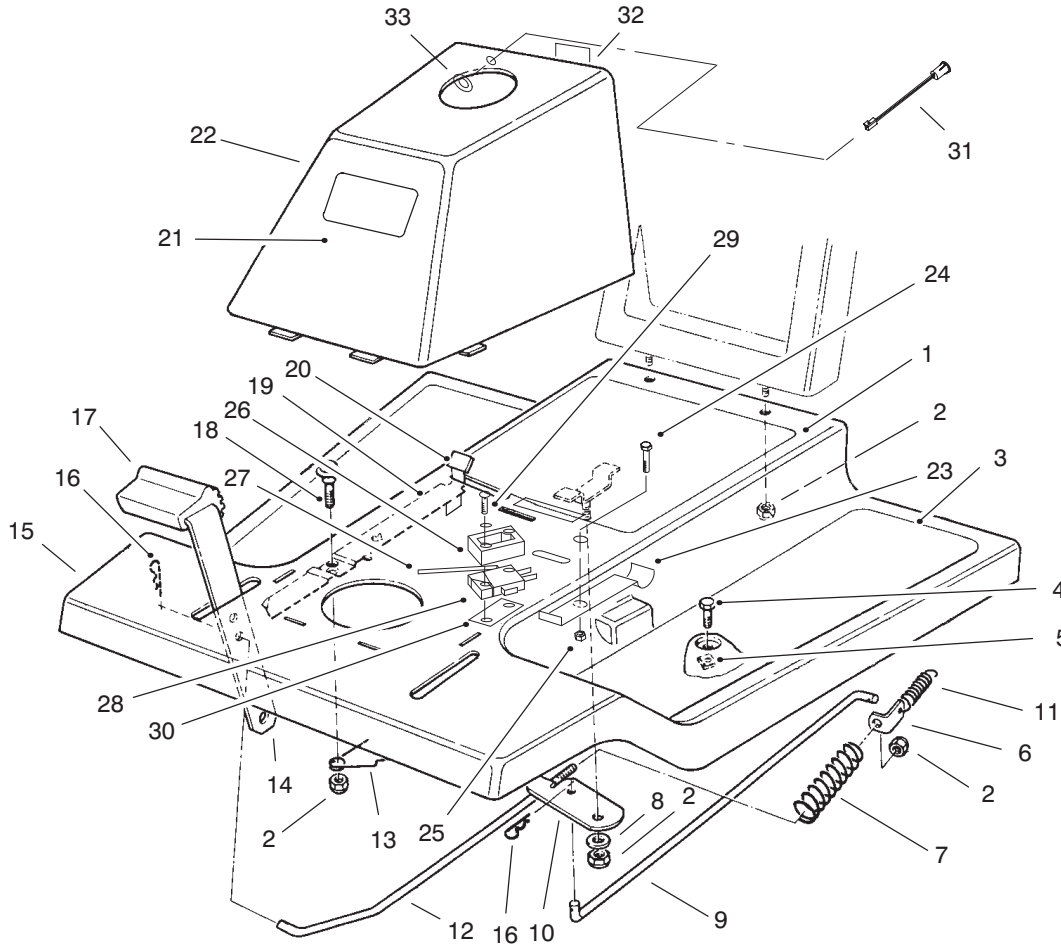




MODEL NO. 70044-210000001 & UP

**PARTS
CATALOG**

**WHEEL HORSE®
825 Recycler® Riding Mower**

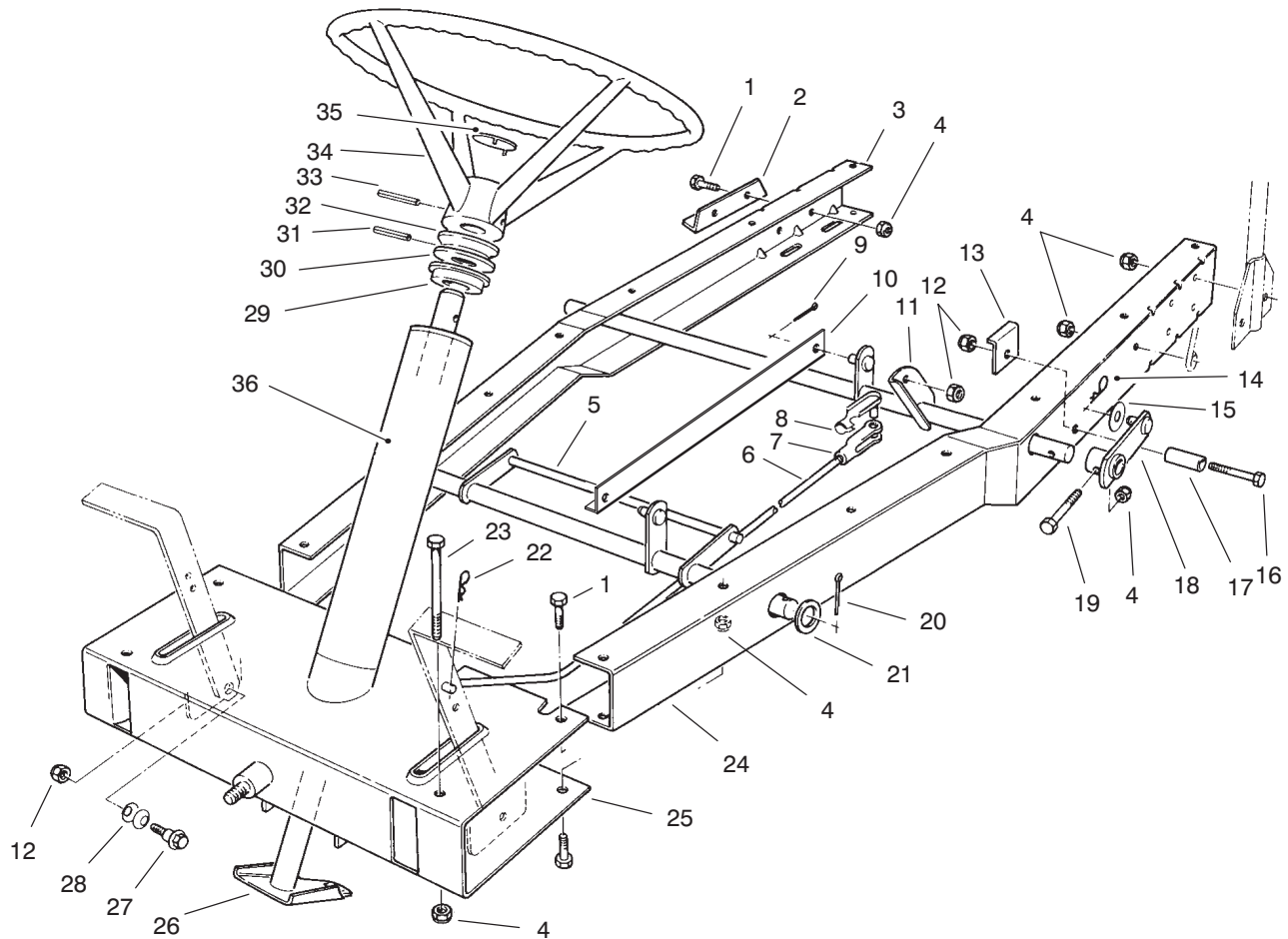


C-1940

FRONT BODY ASSEMBLY

Ref. No.	Part No.	Description	No. Used
1	99-6069	Decal - Instruction	1
2	3296-29	Nut - Lock	5
3	44-7030	Tread - Foot Rest	2
4	32104-110	Screw - Cap Hex. Hd.	4
5	3290-347	Nut - U-Type	4
6	67-1590	Bracket - Brake Return	1
7	67-1430	Spring - Compression	1
8	26-9530	Washer - Pivot	1
9	67-1340	Rod - Brake, Transmission	1
10	67-1330-03	Lever - Brake, Bellcrank	1
11	67-1450	Spring - Extension	1
12	67-1350	Rod - Front, Brake	1
13	19-1970	Spring - Brake, Parking	1
14	67-1130-03	Pedal - Brake & Clutch	2
15	98-2387-01	Body W.A. - Front	1
16	3290-250	Pin - Hair, Cotter	2
17	65-2920	Pad - Pedal	2

Ref. No.	Part No.	Description	No. Used
18	19-1470	Bolt - Shoulder	1
19	98-0711-03	Lever - Brake, Parking	1
20	19-2200	Tip - Brake, Parking	1
21	92-7981	Decal - Toro	1
22	99-2968	Tower (Incl. Ref. #21)	1
23	98-0709	Clamp	1
24	321-2	Screw - Hex Hd.	1
25	3296-16	Nut - Lock	1
26	88-4880	Spacer - Micro Switch	1
27	88-9932	Switch - Micro	1
28	93-3240	Seal - Plunger	1
29	9104784	Screw	2
30	3290-354	Nut - Speed	1
31	95-7652	Light - Indicator	1
32	99-2981	Decal - Indicator Light	1
33	99-6059	Clip - Retainer	1



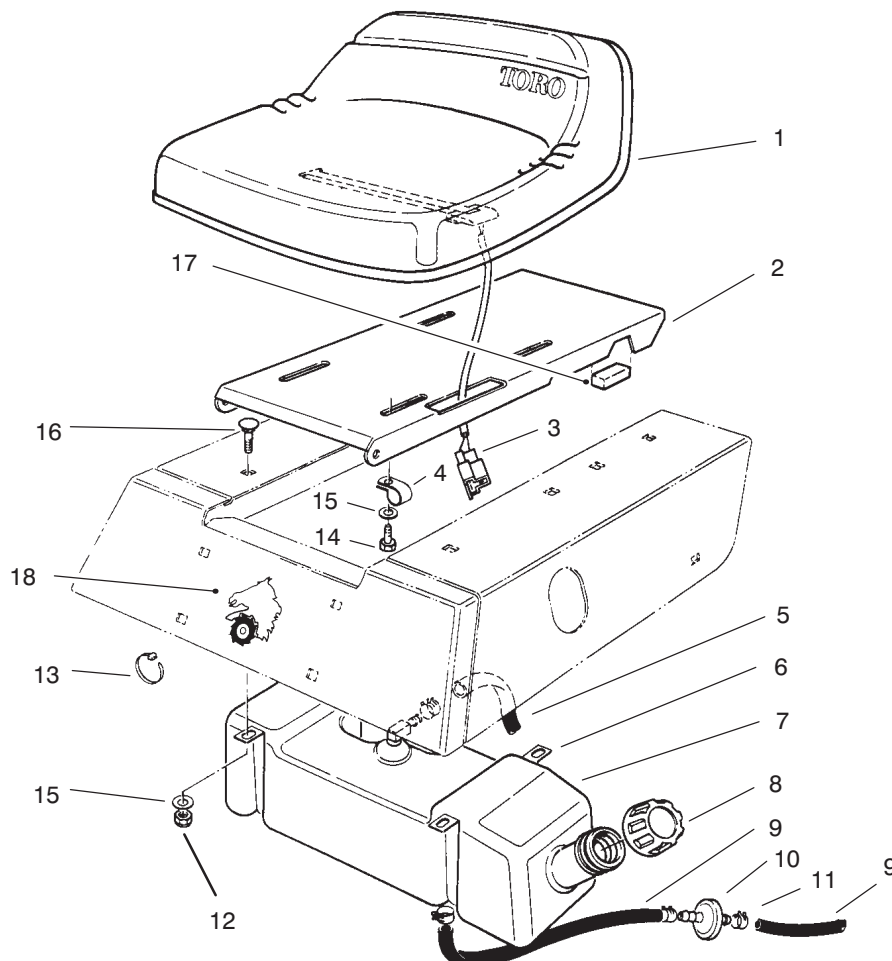
C-0005

FRAME ASSEMBLY

Ref. No.	Part No.	Description	No. Used
1	322-3	Screw - Cap Hex. Hd.	6
2	44-7140-01	Mount - Bearing, Axle	1
3	67-0520-01	Channel - R.H.	1
4	3296-29	Nut - Lock	16
5	67-0010-03	Lift W.A. - Front, Deck	1
6	67-0430	Rod - Clutch	1
7	282-27	Clevis	1
8	67-1530	Pin - Clevis	1
9	3272-6	Pin - Cotter	2
10	67-0090-01	Bracket - Link, H.O.C.	1
11	67-0050-01	Tube W.A. - Support, Rear	1
12	3296-39	Nut - Lock	5
13	67-1510-01	Brace - Stop, Deck	2
14	3290-355	Pin - Hair, Cotter	2
15	67-1460	Washer - Flat	2
16	323-10	Screw - Cap Hex. Hd.	2
17	68-8380	Spacer - Stop, Deck	2
18	67-0300-01	Lever W.A. - H.O.C.	2
19	46-2510	Bolt - Mounting, Axle	2

Ref. No.	Part No.	Description	No. Used
20	3272-23	Pin - Cotter	2
21	3256-29	Washer - Flat	2
22	3290-250	Pin - Hair, Cotter	1
23	322-14	Screw - Cap Hex. Hd.	2
24	67-0530-01	Channel - L.H.	1
25	67-0450-01	Frame W.A. - Front	1
26	67-0830-01	Shaft W.A. - Steering	1
27	67-0870	Bolt - Shoulder	2
28	3290-413	Washer - Belleville	4
29	67-0850	Bushing - Steering	2
30	67-0860	Washer - Steering	1
31	32121-32	Pin - Roll	1
32	67-0440	Spacer - Steering	1
33	32121-78	Pin - Roll	1
34	49-3242	Wheel - Steering	1
35	92-7990	Insert - Wheel, Steering	1
36	76-4080	Decal	1
*	13-6049	Kit - Loose parts	1

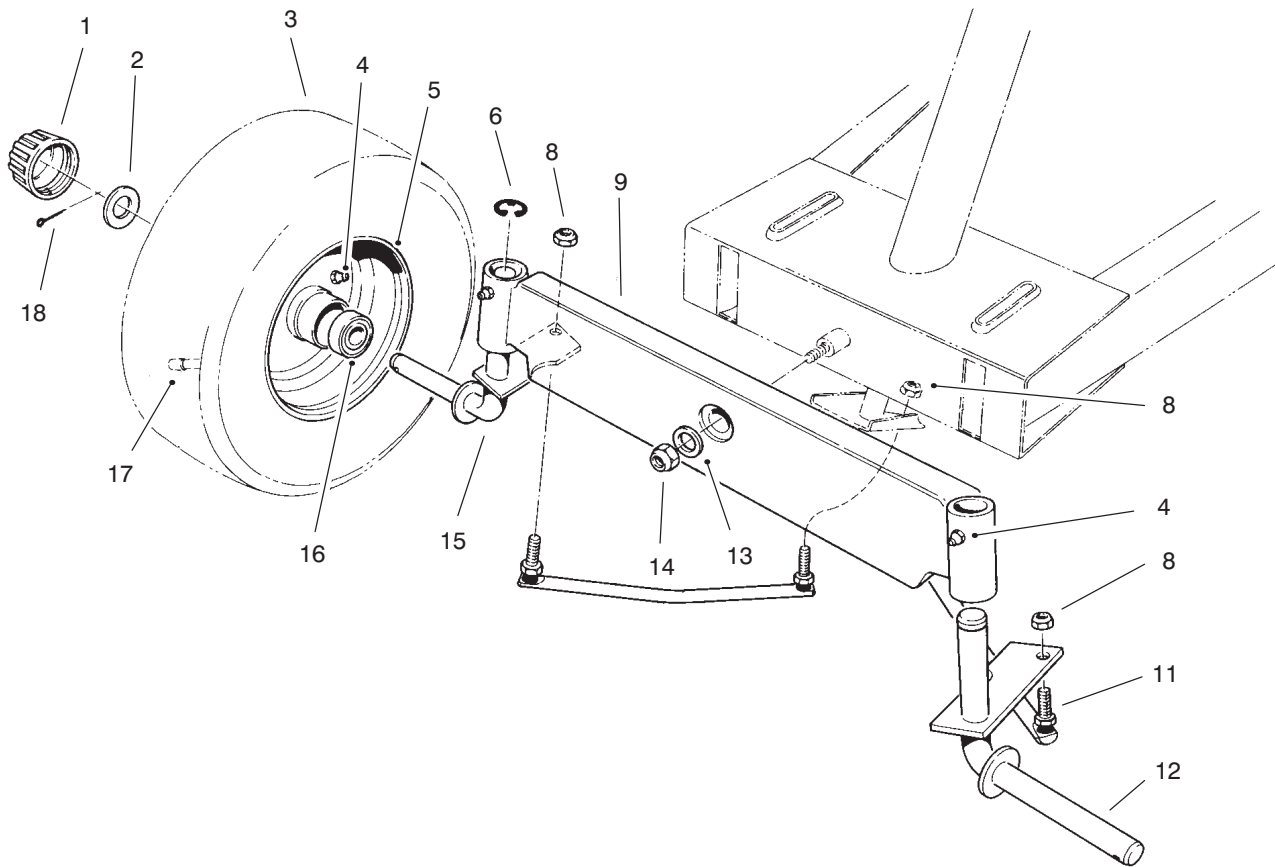
*Not Illustrated



C-1941

SEAT & GAS TANK ASSEMBLY

Ref. No.	Part No.	Description	No. Used	Ref. No.	Part No.	Description	No. Used
1	88-4330	Seat	1	10	56-6360	Filter	1
2	67-1242-01	Base - Seat	1	11	2412-98	Clamp - Hose	5
3	38-1420	Switch - Seat	1	12	3296-29	Nut - Lock	4
4	18-2970	R-Clamp	1	13	3290-378	Tie - Cable	1
5	47-2986	Hose - Gas	1	14	322-3	Screw - Cap Hex. Hd.	4
6	67-0950	Strap - Tank, Gas	2	15	3256-23	Washer - Flat	8
7	80-4580	Tank - Gas	1	16	3230-1	Bolt - Carriage	4
8	55-3576	Assembly - Cap, Gas	1	17	66-6920	Pad - Isolator	2
9	47-2964	Hose - Gas	2	18	92-7978	Decal - Horsehead	1



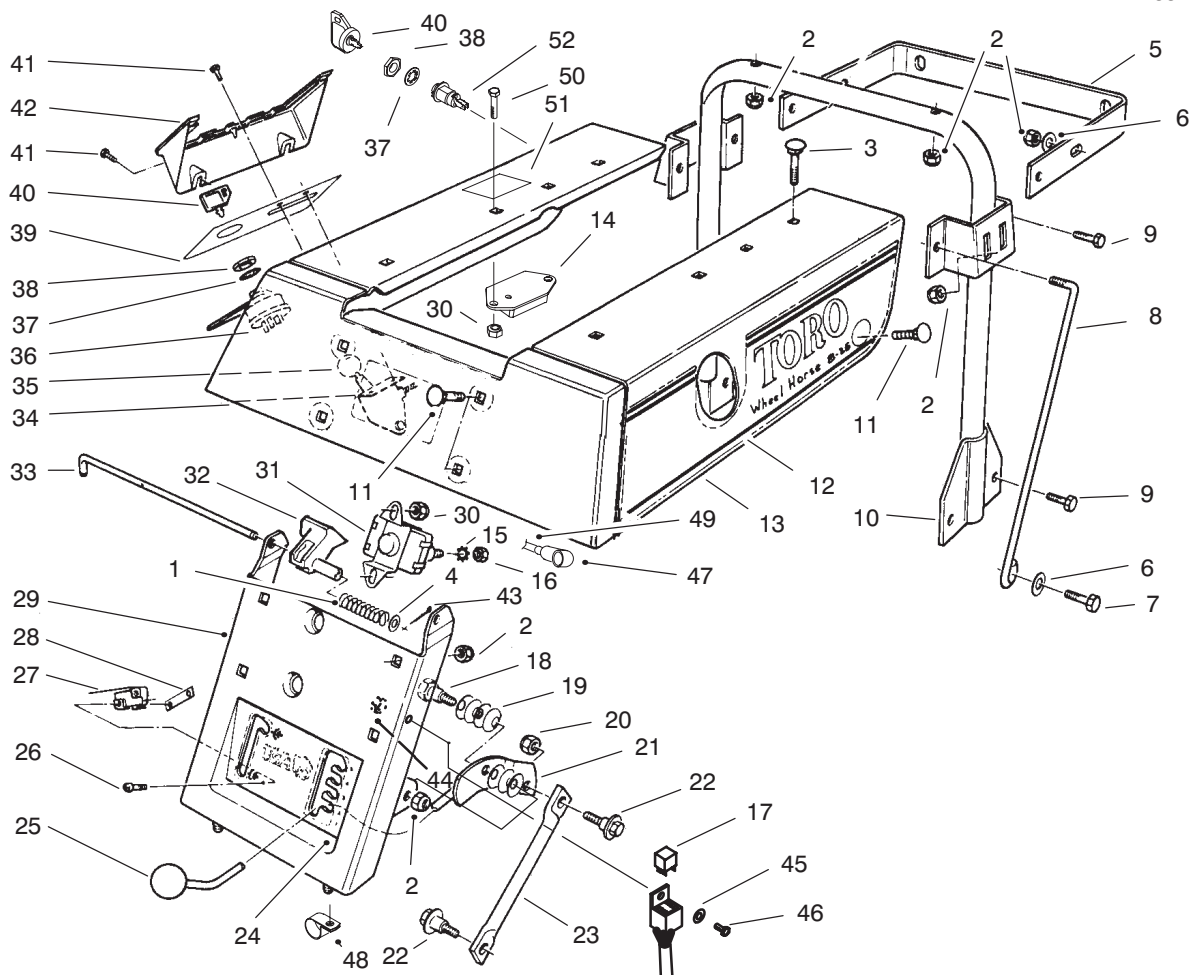
C-0003A

FRONT AXLE ASSEMBLY

Ref. No.	Part No.	Description	No. Used
1	61-9780	Cap - Hub	2
2	28-2480	Washer - Flat	2
3	99-2990	Tire	2
4	302-5	Fitting - Grease	4
5	217-80	Rim	2
6	32151-48	Ring - Retaining	2
8	3296-4	Nut - Lock	4
9	67-0990-01	Axle - Front	1
11	67-0880	Assembly - Tie Rod	2

Ref. No.	Part No.	Description	No. Used
12	67-0810-01	Spindle - L.H.	1
13	3256-26	Washer - Flat	1
14	3296-25	Nut - Lock	1
15	67-0800-01	Spindle - R.H.	1
16	88-4400	Bearing	4
17	232-27	Valve Stem w/Cap	2
18	3272-12	Pin - Cotter	2
*	232-44	Tube - Inner	2

*Not Illustrated

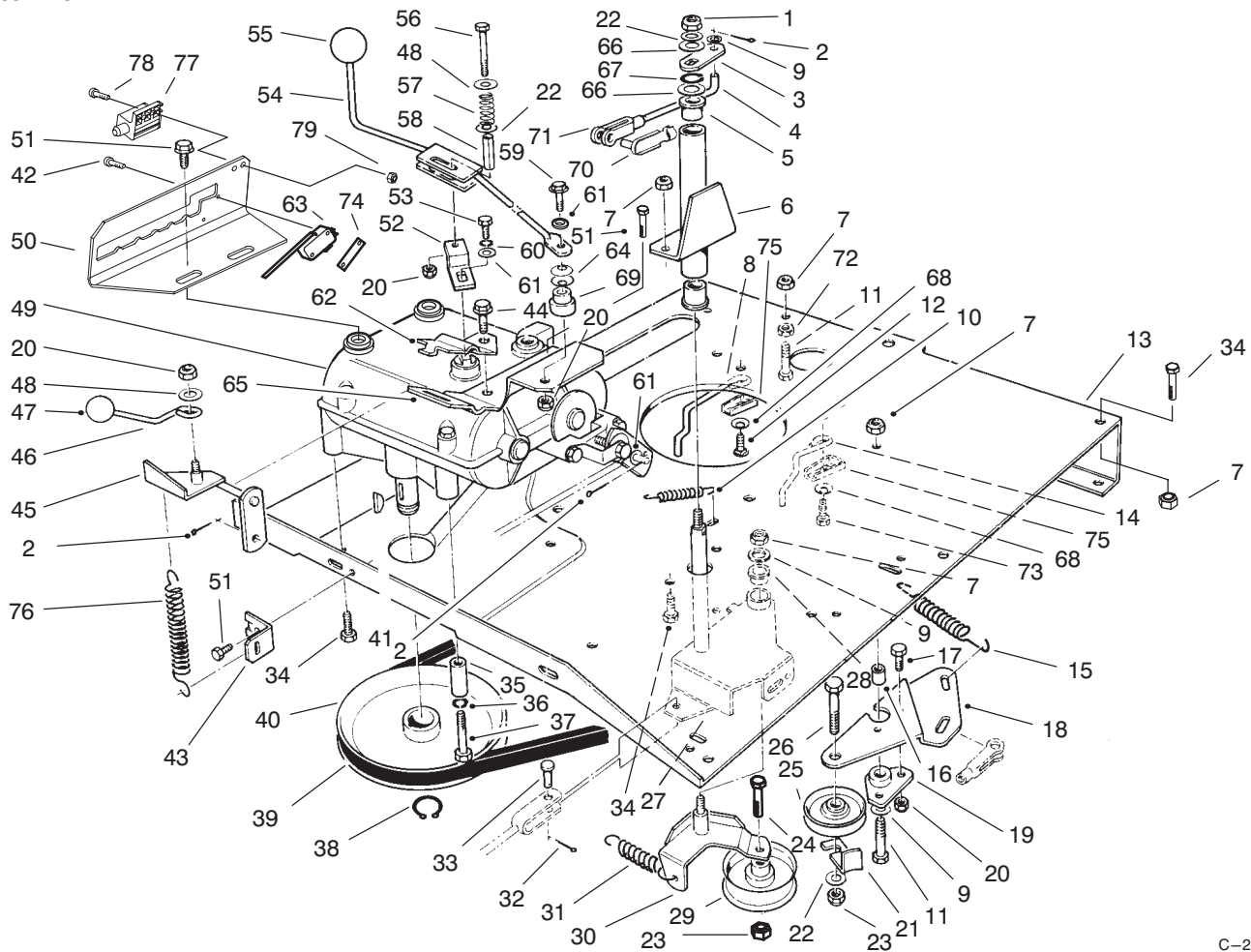


C-2601

REAR BODY ASSEMBLY

Ref. No.	Part No.	Description	No. Used	Ref. No.	Part No.	Description	No. Used
1	71-8310	Spring - Prop, Seat	1	27	88-9932	Switch - Micro	1
2	3296-29	Nut - Lock	13	28	3290-354	Nut - Double	1
3	3230-3	Bolt - Carriage	2	29	67-1090-03	Support W.A. - Seat	1
4	3256-22	Washer - Flat	1	30	3296-42	Nut - Lock	4
5	67-1500-03	Bar - Stand	1	31	47-1910	Solenoid	1
6	3256-23	Washer - Flat	4	32	80-4330	Prop - Seat	1
7	322-5	Screw - Cap Hex. Hd.	2	33	80-4550	Rod - Base, Seat	1
8	67-1480	Brace - Support, Seat	2	34	66-6640	Control - Throttle	1
9	322-3	Screw - Cap Hex. Hd.	6	35	233-25	Knob	1
10	67-0790-03	Support W.A. - Seat	1	36	88-9830	Switch - Ignition (Incl. Ref. #37 & 38)	1
11	3230-1	Bolt - Carriage	6	37	3254-5	Washer - Lock, Int. Tooth	2
12	98-1456	Decal - Toro L.H.	1	38	218-461	Nut - Hex.	2
*	99-2983	Decal - Toro R.H.	1	39	67-1270	Decal - Panel, Control	1
13	99-2964-01	Body W.A. - Rear	1	40	63-8360	Key	2
14	99-3700	Module - NMR	1	41	32144-42	Screw - Hex. Hd. Tapping	4
15	3253-3	Washer - Lock	2	42	67-1030	Cover - Panel, Control	1
16	3218-1	Nut - Jam	2	43	3272-4	Pin - Cotter	1
17	98-7249	Relay	1	44	3296-2	Nut - Lock	1
18	28-0540	Bolt - Shoulder	1	45	3256-14	Washer - Flat	1
19	3290-413	Washer - Belleville	7	46	3290-134	Screw - Cap Mach. Hd.	1
20	3296-39	Nut - Lock	1	47	93-3190	Boot - Terminal Insulator	1
21	67-0270	Handle W.A. - H.O.C.	1	48	18-2970	Clamp	1
22	67-0870	Bolt - Shoulder	2	49	98-0707	Cable	1
23	67-0080	Link - H.O.C.	1	50	321-4	Screw - Hex Hd.	2
24	76-3920	Decal - H.O.C./Deck Engage.	1	51	99-2985	Decal - Danger	1
25	233-22	Knob	1	52	46-5780	Switch - Starter	1
26	910478	Screw - Pan Head	2				

*Not Illustrated

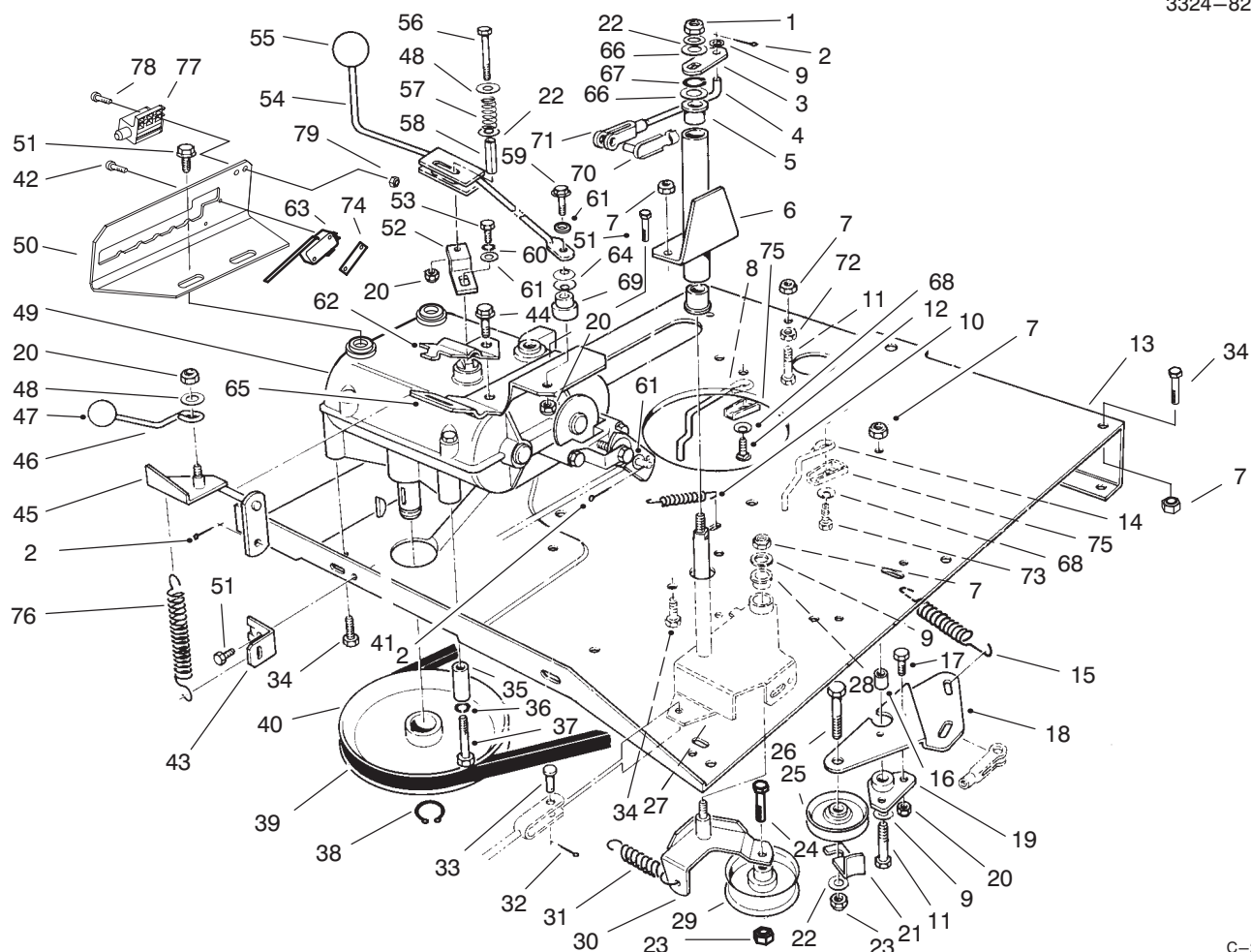


C-2602

TRANSMISSION & LINKAGE ASSEMBLY

Ref. No.	Part No.	Description	No. Used
1	3296-39	Nut - Lock	1
2	3272-6	Pin - Cotter	2
3	67-0690-03	Flat - Deck Engage	1
4	68-8370	Link - Deck Engage	1
5	256-90	Bushing	2
6	67-0540-03	Tube W.A. - Pivot (Incl. Ref. #5)	1
7	3296-29	Nut - Lock	13
8	99-2976	Guide R.H. - Belt, Engine	1
9	3256-23	Washer - Flat	3
10	26-6700	Spring - Return, Brake	1
11	322-6	Screw - Cap Hex. Hd.	2
12	32144-49	Screw - Tapping	1
13	76-4090-01	Plate - Engine	1
14	67-0940	Guide L.H. - Belt, Engine	1
15	68-9950	Spring - Traction	1
16	67-0410	Spacer - Pivot	1
17	321-4	Screw - Cap Hex. Hd.	2
18	67-0420-03	Plate - Mount, Idler	1
19	67-0400	Mount - Pivot	1
20	3296-42	Nut - Lock	5
21	12-9020	Retainer - Belt	1
22	3256-24	Washer - Flat	3
23	3296-59	Nut - Lock	2

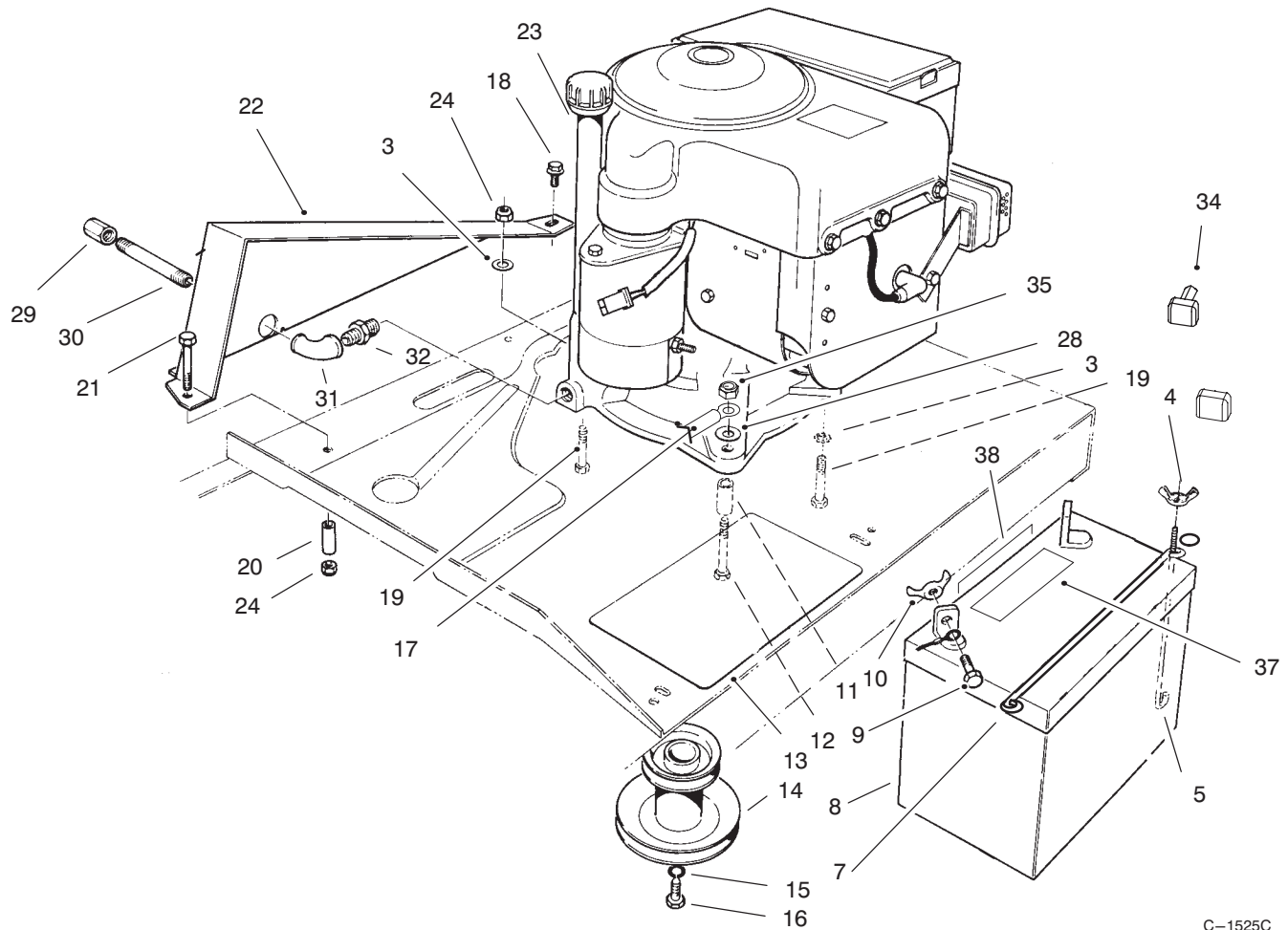
Ref. No.	Part No.	Description	No. Used
24	323-9	Screw - Cap Hex. Hd.	1
25	12-5820	Pulley - Idler, Traction	1
26	323-8	Screw - Cap Hex. Hd.	1
27	67-0360	Bracket - Arm, Idler (Incl. Ref. #28)	1
28	256-155	Bushing	1
29	56-9870	Pulley - Idler, Deck	1
30	67-0330-03	Idler - Plate, Mount	1
31	67-9170	Spring	1
32	3272-4	Pin - Cotter	1
33	283-67	Pin - Clevis	1
34	322-3	Screw - Cap Hex. Hd.	14
35	67-0920	Guide - Belt	1
36	3253-4	Washer - Lock	1
37	322-10	Screw - Cap Hex. Hd.	1
38	32120-64	Ring - Retaining	1
39	67-0900	Belt - Traction	1
40	82-6450	Pulley - Transmission	1
41	3257-23	Key	1
42	910478	Screw - Tapping	2
43	67-0750	Bracket - Mount, Spring	1
44	32144-70	Screw - Hex. Hd. Tapping	1
45	67-0600-03	Lever W.A. - Deck Engage	1
46	67-0640	Handle - Deck Engage	1



C-2602

TRANSMISSION & LINKAGE ASSEMBLY (CONTINUED)

Ref. No.	Part No.	Description	No. Used	Ref. No.	Part No.	Description	No. Used
47	233-22	Knob	1	64	3290-478	Washer - Belleville	2
48	3256-55	Washer - Fender	2	65	67-0660	Bracket - Mount, Shifter	1
49	67-1400	Transmission	1	66	20-3220	Washer - Flat	2
50	99-2970-03	Gate - Shift	1	67	32151-62	Ring - Retaining	1
51	32144-14	Screw - Wash. Hd., Tap.	4	68	3290-456	Washer - Belleville	2
52	56-7620	Lever - Shift	1	69	76-3970	Spacer - Pivot	1
53	329-4	Screw - Cap Hex. Hd.	1	70	67-1530	Assembly - Pin, Clevis	1
54	76-3940-03	Lever W.A. - Shift	1	71	282-27	Clevis	1
55	233-48	Knob	1	72	3218-2	Nut - Jam	1
56	321-15	Screw - Cap Hex. Hd.	1	73	3230-2	Bolt - Carriage	1
57	56-7730	Spring	1	74	3290-354	Nut - Double	1
58	56-7740	Spacer	1	75	76-3820	Anchor - Guide, Belt	2
59	321-8	Screw - Cap Hex. Hd.	1	76	76-4660	Spring	1
60	3253-3	Washer - Lock	1	77	95-1653	Switch - Single Pole	1
61	3256-22	Washer - Flat	3	78	3290-392	Screw - Hex Hd. Slot	2
62	67-0670	Bracket - Engage, Deck	1	79	3296-1	Nut - Lock	2
63	88-9930	Switch - Micro	1				

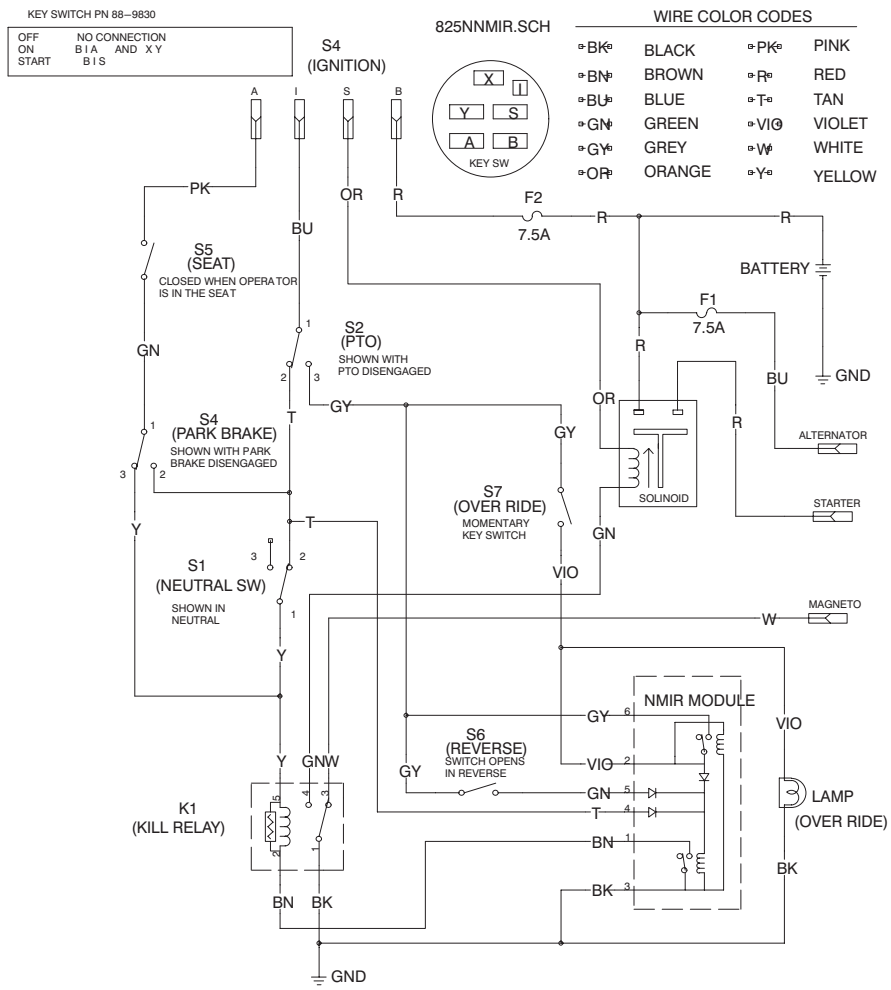


C-1525C

ENGINE ASSEMBLY

Ref. No.	Part No.	Description	No. Used
3	3256-23	Washer - Flat	2
4	32103-12	Nut - Wing	2
5	56-7720	Post - Hold Down, Battery	2
7	117316	Rod - Battery Hold Down	1
8	104-1755	Battery - 155 CCA	1
9	321-4	Screw - Cap Hex. Hd.	2
10	32103-22	Nut - Wing	2
11	80-4560	Spacer	1
12	322-12	Screw - Cap Hex. Hd.	1
13	62-4300	Pad - Anti-Skid	1
14	98-0712	Pulley - Engine	1
15	3256-25	Washer - Flat	1
16	62-3760	Screw - Cap Hex. Hd.	1
17	98-0708	Assembly - Wire Battery to Ground	2
18	32144-14	Screw - Self Tapping	1

Ref. No.	Part No.	Description	No. Used
19	322-7	Screw - Cap Hex. Hd.	3
20	67-0920	Guide - Belt	1
21	322-10	Screw - Cap Hex. Hd.	1
22	67-0962-01	Guard - Chain	1
23		Engine - 8 H.P. B & S	1
24	3296-29	Nut - Lock	4
28	3255-8	Washer - Lock	3
29	288-2	Cap - Pipe	1
30	289-34	Nipple - Pipe	1
31	2811-17	Elbow - Street	1
32	2812-1	Reducer	1
34	28-8080	Boot - Battery Terminal	1
35	32153-3	Nut - Lock	1
37	104-4163	Decal - Battery	1
38	104-4164	Decal - Battery	1

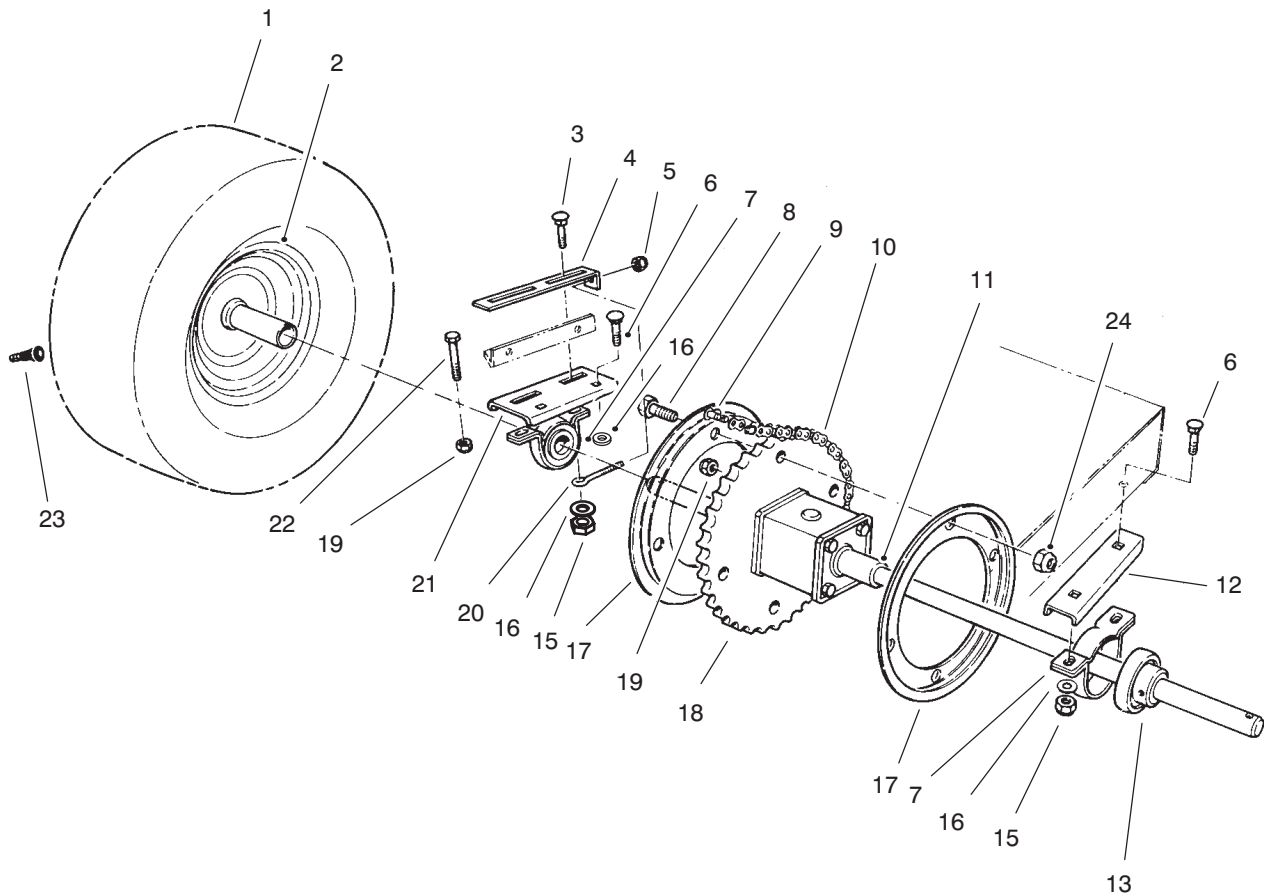


C-2378

ELECTRICAL SCHEMATIC

Ref. No.	Part No.	Description	No. Used
1	99-2325	Harness - Wire	1

Ref. No.	Part No.	Description	No. Used



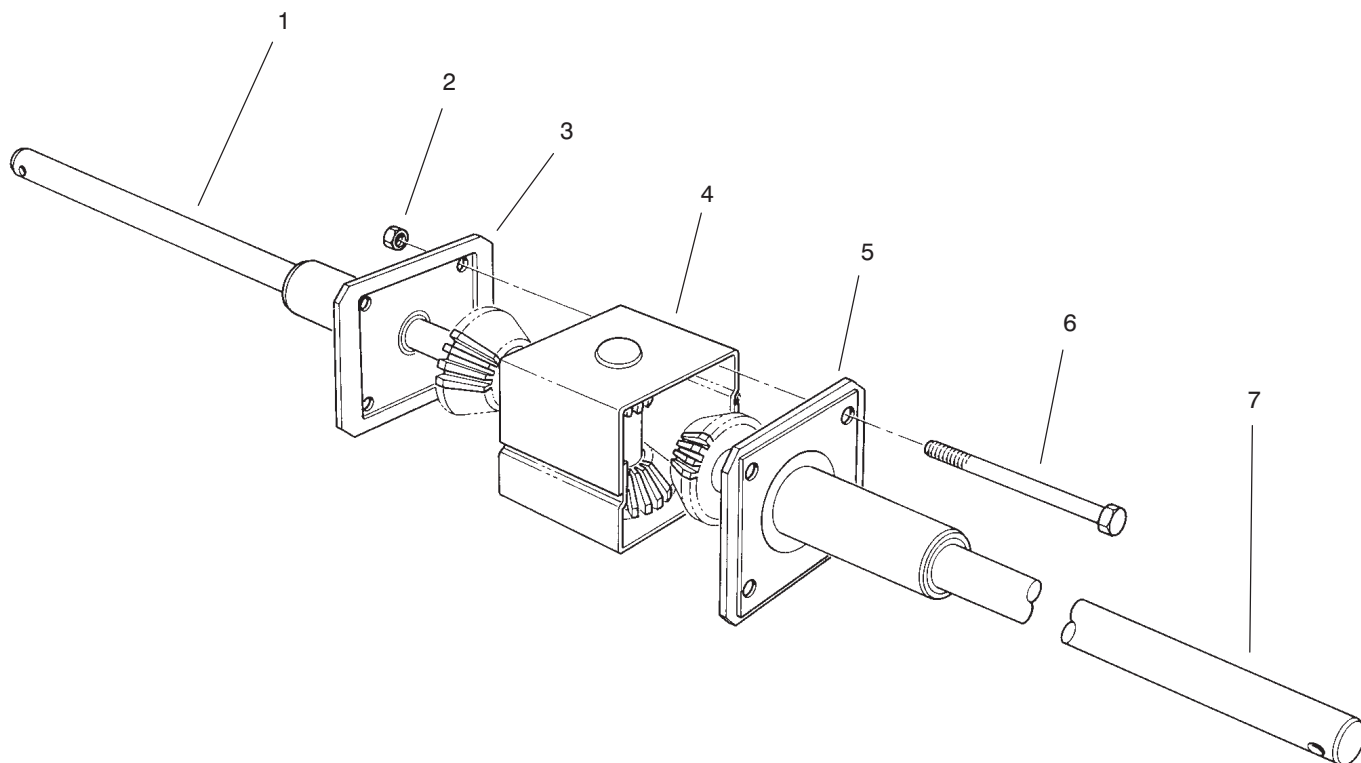
C-0008B

REAR AXLE ASSEMBLY

Ref. No.	Part No.	Description	No. Used
1	99-2992	Tire	2
2	44-9760	Rim	2
3	3231-4	Bolt - Carriage	2
4	61-9990	Plate - Adjusting	1
5	3296-42	Nut - Lock	1
6	3231-25	Bolt - Carriage	4
7	47-1480	Mount - Bearing	2
8	321-4	Screw - Cap Hex. Hd.	4
9	2710-11	Link - Connecting	1
10	67-0910	Chain (Incl. Ref. #9)	1
11	56-9960	Differential	1
12	66-6630-01	Support L.H.	1

Ref. No.	Part No.	Description	No. Used
13	47-1490	Bearing (Incl. Ref. #14)	2
15	3296-39	Nut - Lock	6
16	3256-24	Washer - Flat	6
17	76-1580-03	Guide - Chain	2
18	76-4010	Sprocket	1
19	3296-29	Nut - Lock	6
20	61-9980	Screw - Adjusting	1
21	66-6620-03	Support R.H.	1
22	46-2511	Bolt - Axle	2
23	232-27	Valve Stem w/Cap	2
24	3296-8	Nut - Lock	4
*	232-38	Tube - Inner	2

*Not Illustrated



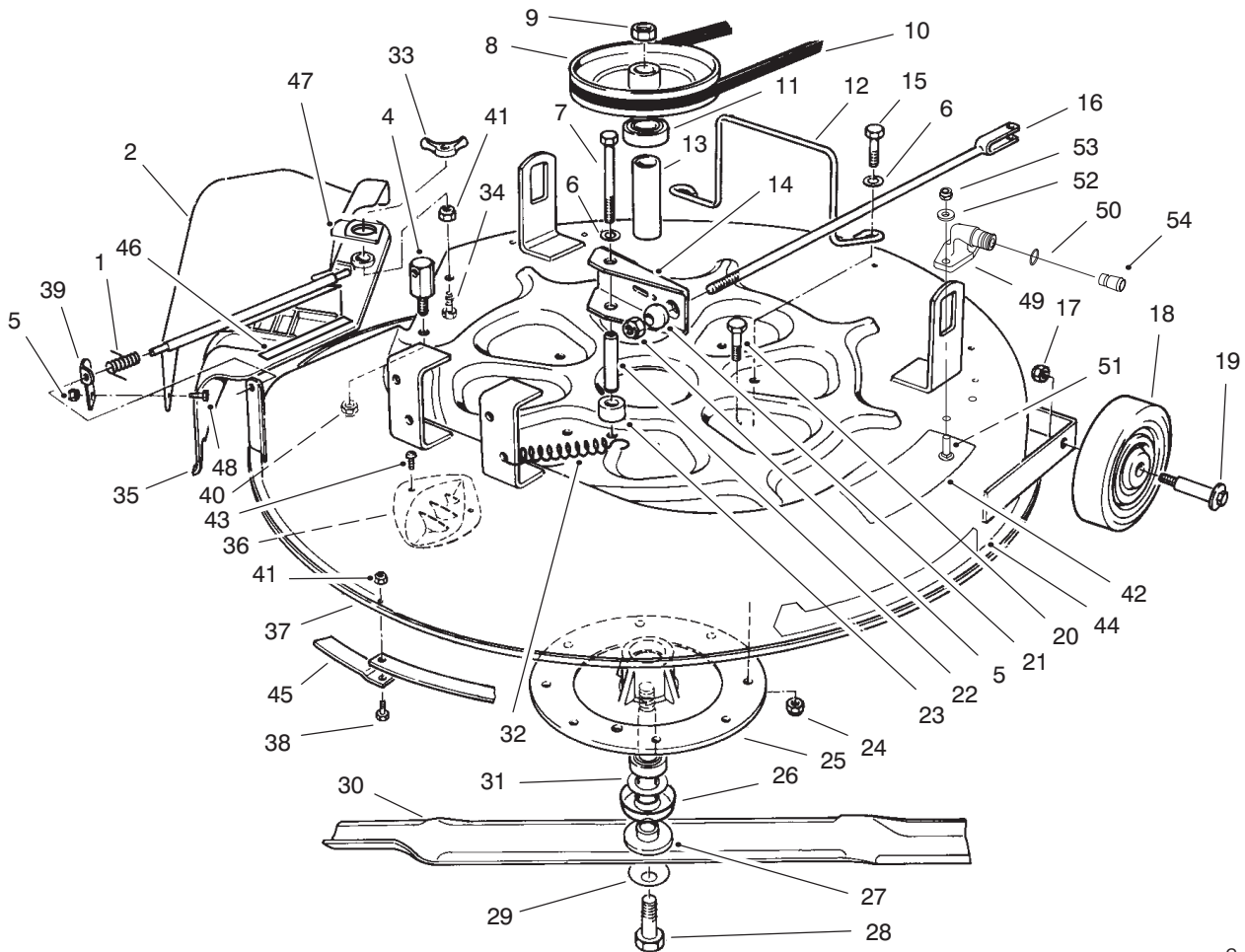
C-0010

DIFFERENTIAL ASSEMBLY

Ref. No.	Part No.	Description	No. Used
1	55-7762	Axle - R.H.	1
2	32152-1	Nut - Lock	4
3	55-7770	Cap - End, R.H.	1
4	55-7780	Case - Gear, Transfer	1

Ref. No.	Part No.	Description	No. Used
5	55-7771	Cap - End, L.H.	1
6	322-22	Screw - Cap Hex. Hd.	4
7	55-7763	Axle - L.H.	1
*	56-9960	Differential - Complete	1

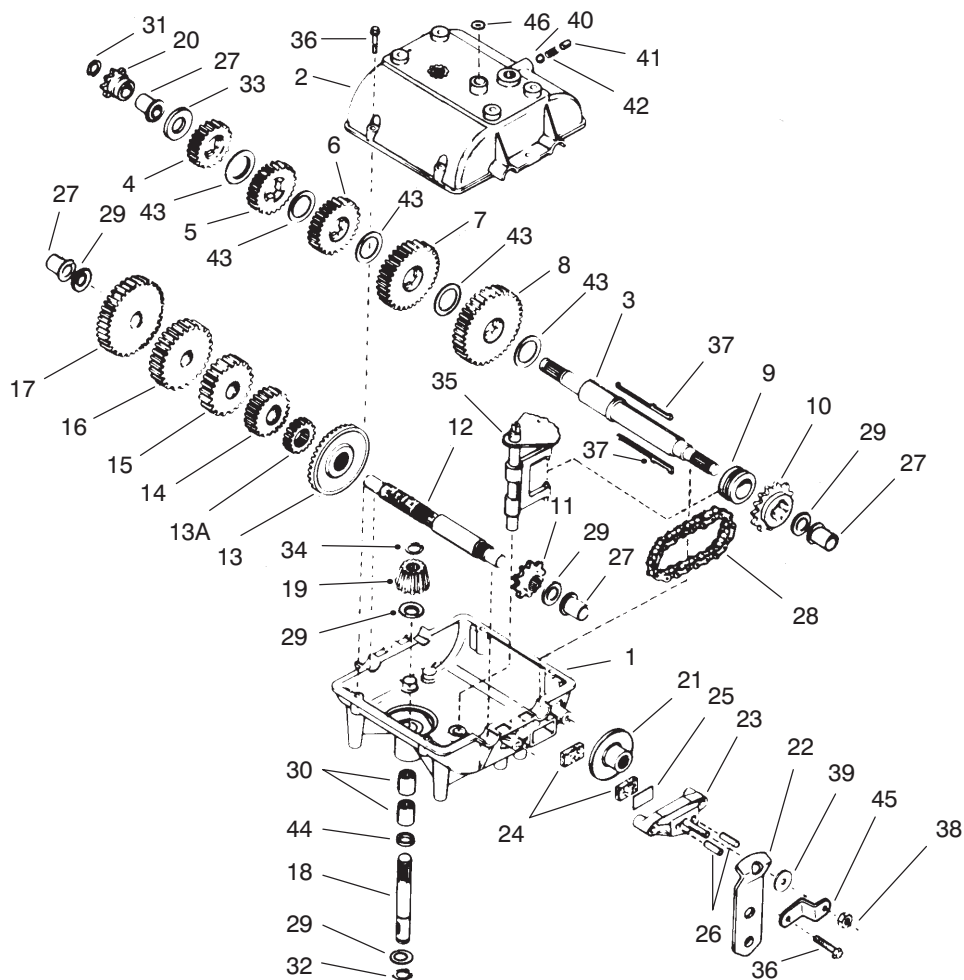
*Not Illustrated



C-2603

CUTTING UNIT ASSEMBLY

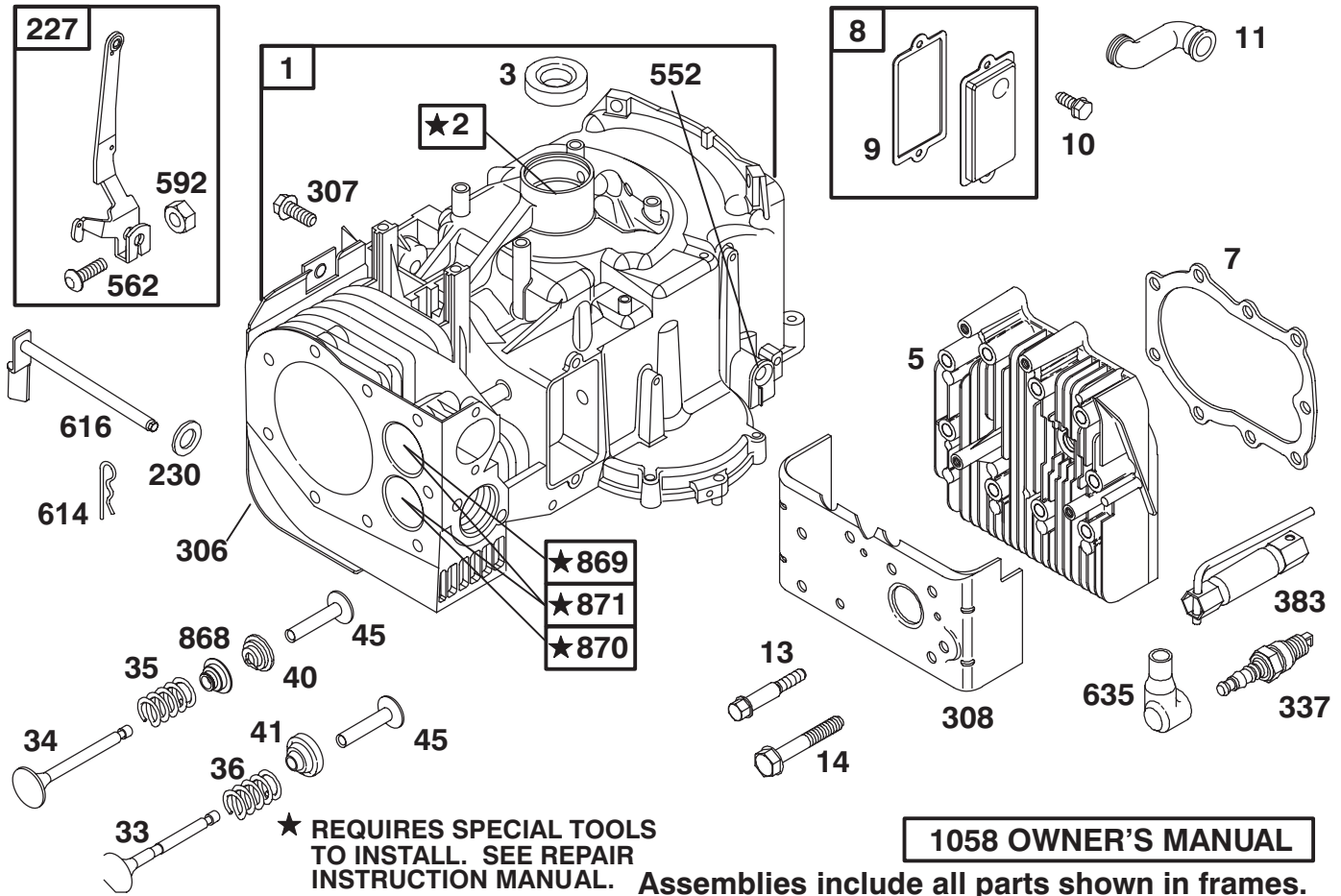
Ref. No.	Part No.	Description	No. Used	Ref. No.	Part No.	Description	No. Used
1	28-8010	Spring	1	29	3290-465	Washer - Belleville	1
2	67-1150-01	Deflector	1	30	80-4530	Blade	1
4	67-0140	Post - Pivot	1	31	80-4380	Spacer - Spindle	1
5	3296-8	Nut - Lock	2	32	67-1440	Spring - Brake	1
6	3256-23	Washer - Lock	3	33	32109-14	Nut - Wing	1
7	322-22	Screw - Cap Hex. Hd.	1	34	3234-21	Screw - Cap Hex. Hd.	1
8	80-4460	Pulley - Deck	1	35	80-4450	Cover - Recycler	1
9	3219-6	Nut - Hex.	1	36	80-4510	Kicker	4
10	98-0710	V-Belt	1	37	94-7484	Deck	1
11	38-7820	Bearing - Ball	2			(Incl. Ref. #42 & 46)	1
12	80-4520	Guide - Belt	1	38	321-4	Screw - Cap Hex. Hd.	8
13	62-3660	Spacer - Bearing	1	39	67-1600-01	Bracket - Deflector	1
14	67-1370-01	Assy. - Brake, Deck	1	40	3296-59	Nut - Lock	1
15	322-6	Screw - Cap Hex. Hd.	2	41	3296-42	Nut - Lock	9
16	67-0570	Rod W.A. - Brake, Deck	1	42	76-4070	Decal - Danger	1
17	3296-39	Nut - Lock	2	43	32144-111	Screw - Special	8
18	61-9760	Wheel - Deck	2	44	92-9522	Decal - Recycler	1
19	56-6590	Bolt - Wheel	2	45	80-4540-03	Ring - Deck, Recycler	4
20	322-3	Screw - Cap Hex. Hd.	6	46	68-3650	Decal - Warning	1
21	67-0710	Ball - Swivel	1	47	83-6610	Tab - Hold Down	1
22	67-0730	Post - Mount, Brake	1	48	321-5	Screw - Hex Hd. Cap	1
23	67-0740	Spacer - Brake, Deck	1	49	95-2747	Fitting - Washout	1
24	3296-29	Nut - Lock	9	50	46-6290	O-Ring	1
25	67-0970	Hub - Spindle	1	51	3229-1	Screw - Carriage	2
26	80-4360	Shield - Bearing	1	52	3256-1	Washer - Flat	2
27	80-4340	Shaft - Spindle	1	53	3296-16	Nut - Lock	2
28	26-0671	Bolt - Blade	1	54	95-3270	Connector - Hose	1



C-0441

TRANSMISSION PEERLESS MODEL 700-025

Ref. No.	Part No.	Description	No. Used	Ref. No.	Part No.	Description	No. Used
1	770061	Case – Transmission	1	24	790006	Pad – Brake	2
2	772083	Cover – Transmission	1	25	790007	Plate – Pad, Brake	1
3	776217	Shaft – Output	1	26	786026	Pin – Dowel	2
4	778121A	Gear – Spur (20 Teeth)	1	27	780105A	Bushing – Flange	4
5	778122A	Gear – Spur (22 Teeth)	1	28	786081	Chain – Roller (No. 41 Chain, 24 Links)	1
6	778123A	Gear – Spur (25 Teeth)	1	29	780072	Washer – Thrust	5
7	778124A	Gear – Spur (30 Teeth)	1	30	780086	Bearing – Needle	2
8	778125	Gear – Spur (35 Teeth)	1	31	792072	Ring – Retaining	1
9	784266	Collar – Shift	1	32	792035	Ring – Retaining	1
10	786083	Sprocket (18 Teeth)	1	33	780109	Washer	1
11	786082	Sprocket (9 Teeth)	1	34	788040	Ring – Retaining	1
12	776134	Shaft – Counter	1	35	784267	Assy. Rod & Fork – Shift	1
13	788137A	Gear – Bevel (42 Teeth)	1	36	792073	Screw – Thread Forming	8
13A	778136	Gear – Spur (15 Teeth)	1	37	792089A	Key	2
14	778126A	Gear – Spur (20 Teeth)	1	38	792075	Nut – Lock	1
15	778127A	Gear – Spur (25 Teeth)	1	39	792076	Washer	1
16	778128A	Gear – Spur (28 Teeth)	1	40	792077	Ball – Steel	1
17	778129A	Gear – Spur (30 Teeth)	1	41	792078	Screw – Set	1
18	776135	Shaft – Input	1	42	792079	Spring	1
19	778113A	Bevel – Pinion, Input	1	43	780108	Washer – Thrust	5
20	786047	Sprocket (8 Teeth)	1	44	792001	O-Ring	1
21	790003	Disk – Brake	1	45	786086	Bracket – Lever, Brake	1
22	790008A	Lever – Brake	1	46	788069	Seal – Square Cut	1
23	790025	Holder – Pad, Brake	1				



1058 OWNER'S MANUAL

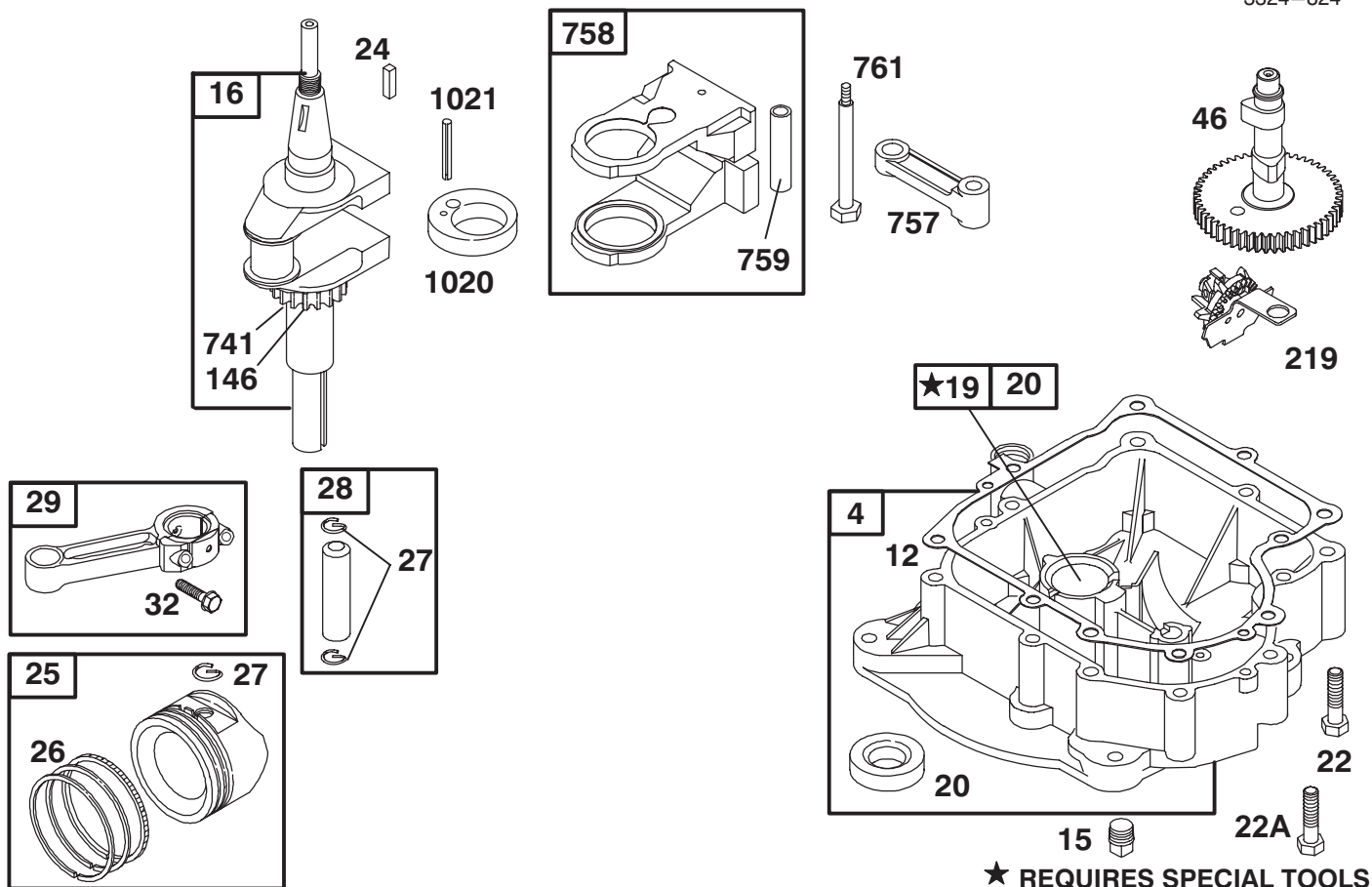
ENGINE BRIGGS & STRATTON MODEL 195707-0421-E1

Ref. No.	Part No.	Description	No. Used
1	495623	Cylinder Assembly	1
2	495657	Bushing	1
★3	391086	Seal-Oil	1
5	214015	Head-Cylinder	1
†★7	272163	Gasket-Cylinder Head	1
8	495735	Breather Assy.	1
†★9	27803	Gasket-Breather	1
10	94621	Screw-Breather Mtg.	1
11	280005	Grommet	1
13	94565	Screw-Cylinder Head	1
14	94622	Screw-Cylinder Head	1
33	390420	Valve-Exhaust	1
34	261055	Valve-Intake	1
35	65906	Spring-Valve (Intake)	1
36	691597	Spring-Valve (Exhaust)	1
40	221596	Retainer-Valve	1
41	691939	Retainer-Valve	1
45	260933	Tappet-Valve	1
227	493935	Lever Assy.-Governor	1

Ref. No.	Part No.	Description	No. Used
230	94927	Washer	1
306	496797	Shield-Cylinder	1
307	94930	Screw-Hex. Hd.	1
308	224896	Cover-Cylinder Head	1
337	802592	Plug-Spark	1
383	89838	Wrench-Spark Plug	1
552	491986	Bushing-Gov. Crank	1
562	94907	Bolt-Carriage	1
592	231978	Nut-Hex.	1
614	93306	Pin-Cotter	1
616	495157	Crank-Governor	1
635	66538	Elbow-Spark Plug	1
868	497656	Seal-Valve	1
869	211661	Seat-Int. Valve	1
870	211661	Seat-Ex. Valve	1
871	261961	Guide-Exhaust Valve	1
	231218	Guide-Intake Valve	1
1058	273681	Owner's Manual	1

★ Included in Gasket Set-Part No. 299577.
 ● Included in Carburetor Kit-Part No. 497535.

◆ Included in Carburetor Gasket Set-Part No. 494385.
 † Included in Valve Overhaul Gasket Set-Part No. 498536.



Assemblies include all parts shown in frames.

ENGINE BRIGGS & STRATTON MODEL 195707-0421-E1

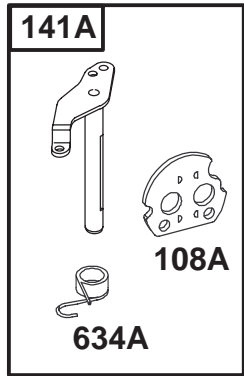
Ref. No.	Part No.	Description	No. Used
4	392548	Sump-Engine	1
★12	271701	Gasket-Crankcase (.015" Thick, Std.)	1
★	27876	Gasket-Crankcase (.005" Thick)	1
★	27877	Gasket-Crankcase (.009" Thick)	1
15	94239	Plug-Oil Drain	1
16	495629	Crankshaft	1
19	295963	Bushing	1
★20	391086	Seal-Oil	1
22	93585	Screw-Hex.	1
22A	94690	Screw-Hex. (Used in Pos. #1)	1
24	222698	Key-Flywheel	1
25	499907	Piston Assy. (Std.)	1
	499908	Piston Assy. (.010" O.S.)	1
	499909	Piston Assy. (.020" O.S.)	1
	499910	Piston Assy. (.030" O.S.)	1

Ref. No.	Part No.	Description	No. Used
26	499421	Ring Set (Std.)	1
	299743	Ring Set (Std. Chrome)	1
	391670	Ring Set (.010" O.S.)	1
	391671	Ring Set (.020" O.S.)	1
	391672	Ring Set (.030" O.S.)	1
27	690975	Lock-Piston Pin	1
28	499911	Pin-Piston (Std.)	1
	499920	Pin-Piston (.005" O.S.)	1
29	390402	Rod-Connecting	1
	390773	Rod-Connecting (.020" U.S.)	1
32	94670	Screw-Conn. Rod	1
46	214786	Gear-Cam	1
146	94388	Key-Timing	1
219	491397	Gear-Governor	1
741	263025	Gear-Timing	1
757	213998	Link-Counterweight	1
758	390172	Counterweight	1
759	230787	Pin-Counterweight	1
761	94592	Screw-Shoulder	1
1020	261190	Eccentric	1
1021	94853	Pin-Groove	1

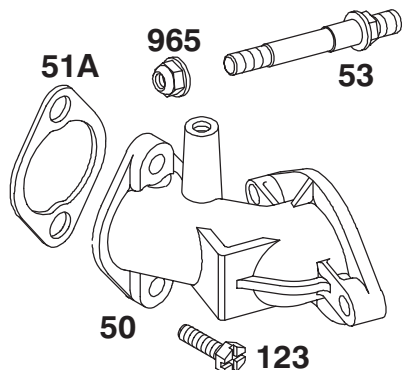
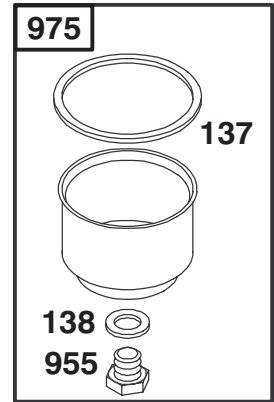
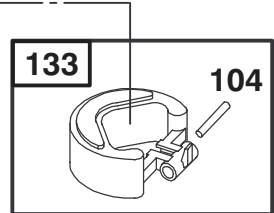
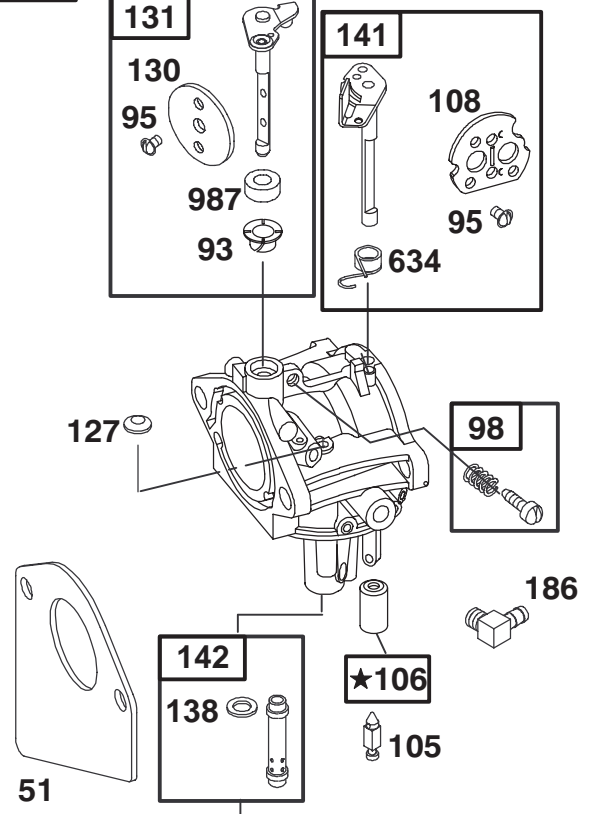
★ Included in Gasket Set-Part No. 299577.
 ● Included in Carburetor Kit-Part No. 497535.

◆ Included in Carburetor Gasket Set-Part No. 494385.
 † Included in Valve Overhaul Gasket Set-Part No. 498536.

REMOTE CHOKE



MANUAL CHOKE



★ **REQUIRES SPECIAL TOOLS TO INSTALL. SEE REPAIR INSTRUCTION MANUAL.**

Assemblies include all parts shown in frames.

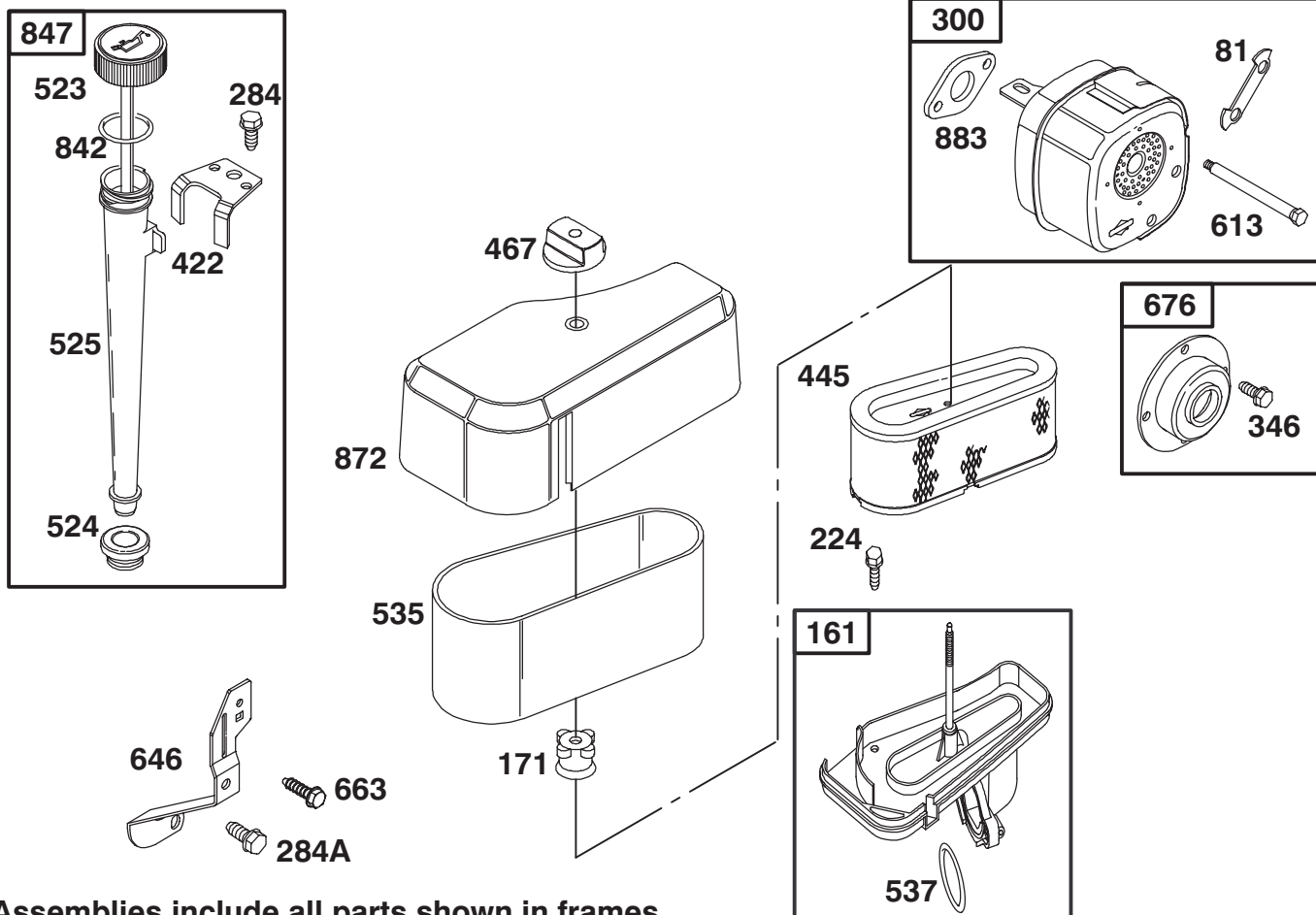
ENGINE BRIGGS & STRATTON MODEL 195707-0421-E1

Ref. No.	Part No.	Description	No. Used
50	213819	Manifold-Intake	1
◆●51	272465	Gasket-Carb. Elbow	1
★†51A	272554	Gasket-Carb. Mtg.	1
53	94637	Stud-Carb. Mtg.	1
93	281346	Bushing-Throttle Shaft	1
●95	94098	Screw-Slotted	1
98	495800	Screw-Idle Speed	1
●104	231789	Pin-Float Hinge	1
●105	231855	Valve-Needle	1
●106	231854	Seat-Inlet	1
108	224558	Valve-Manual Choke	1
108A	224540	Valve-Remote Choke	1
123	94913	Screw-TorxRHex.	1
125	692684	Carburetor	1
●127		Plug-Welch	1
		Note: Sold in Kit Only.	1
130	224668	Valve-Throttle	1

Ref. No.	Part No.	Description	No. Used
131	494885	Shaft-Throttle	1
133	494381	Float-Carburetor	1
◆●137	281165	Gasket-Float Bowl	1
◆●138	281164	Washer	1
141	495097	Shaft-Manual Choke	1
141A	495931	Shaft-Remote Choke	1
142	692687	Nozzle-Carburetor (Standard) Nozzle-Carburetor (High Altitude)	1
186	493496	Connector-Hose	1
●634	494453	Seal-Choke Shaft	1
●634A	494455	Seal-Choke Shaft	1
955	94642	Plug	1
965	94010	Nut-Hex.	1
975	495933	Bowl-Float	1
◆987	281166	Seal-Throttle Shaft	1

★ Included in Gasket Set-Part No. 299577.
● Included in Carburetor Kit-Part No. 497535.

◆ Included in Carburetor Gasket Set-Part No. 494385.
† Included in Valve Overhaul Gasket Set-Part No. 498536.



Assemblies include all parts shown in frames.

ENGINE BRIGGS & STRATTON MODEL 195707-0421-E1

Ref. No.	Part No.	Description	No. Used
81	222263	Lock—Screw	1
161	494827	Base—Air Cleaner	1
171	281051	Nut	1
224	94730	Screw—Hex.	1
284	94874	Screw—Hex.	1
284A	94704	Screw—Hex.	1
300	692304	Muffler—Exhaust	1
346	94896	Screw—Hex.	1
422	224872	Bracket—Oil Fill	1
445	493910	Filter—Air	1
467	493903	Knob	1
523	495228	Dipstick	1

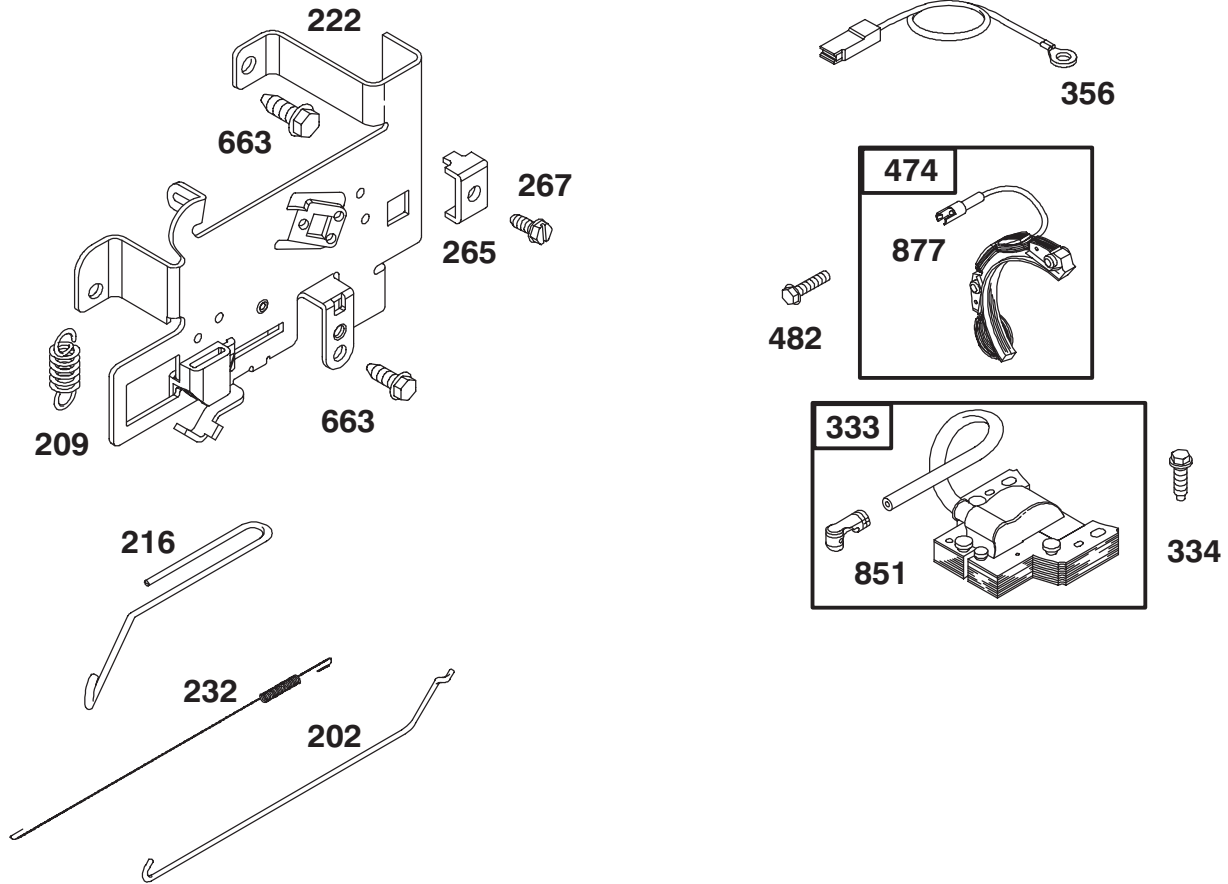
Ref. No.	Part No.	Description	No. Used
★524	81370	Grommet	1
525	280133	Tube—Oil Fill	1
535	272477	Filter—Air	1
★537	281106	Gasket—Air Cleaner	1
613	94042	Screw—Shoulder	1
646	224614	Brace	1
663	94929	Screw—Hex.	1
676	395700	Deflector—Exhaust	1
★842	270920	Seal—O-Ring	1
847	392066	Dipstick/Tube Assembly	1
872	281105	Cover—Air Cleaner	1
†★883	272309	Gasket—Exhaust	1

★ Included in Gasket Set—Part No. 299577.

● Included in Carburetor Kit—Part No. 497535.

◆ Included in Carburetor Gasket Set—Part No. 494385.

† Included in Valve Overhaul Gasket Set—Part No. 498536.

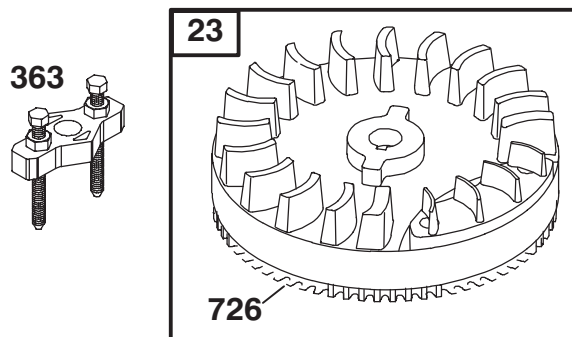
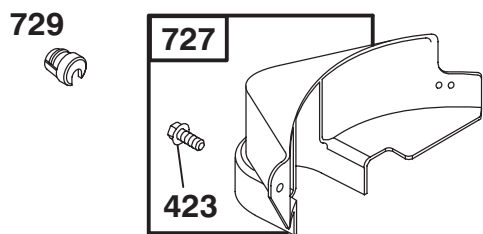
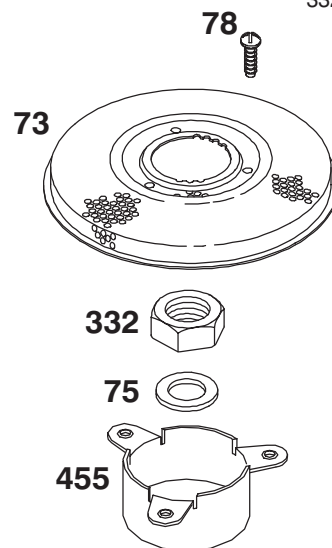
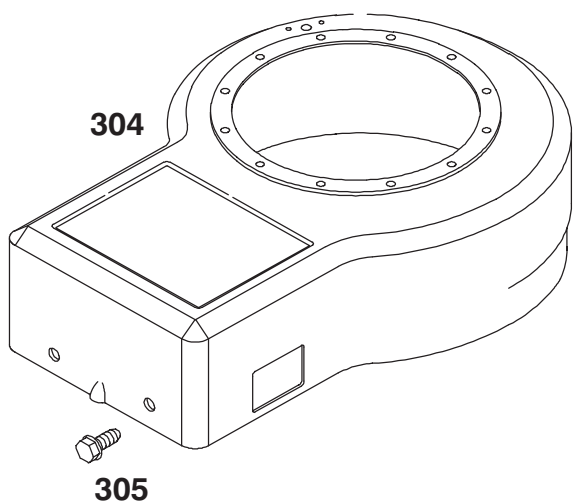


Assemblies include all parts shown in frames.

ENGINE BRIGGS & STRATTON MODEL 195707-0421-E1

Ref. No.	Part No.	Description	No. Used
202	262769	Link—Mechanical Governor	1
209	260871	Spring—Governor	1
216	262768	Link—Choke	1
222	495611	Bracket—Control	1
232	262787	Spring—Link	1
265	221535	Clamp—Casing	1
267	94906	Screw—Hex.	1

Ref. No.	Part No.	Description	No. Used
333	398811	Armature—Magneto	1
334	94731	Screw—Hex.	1
356	494328	Wire—Stop	1
474	391529	Alternator	1
482	93621	Screw—Hex.	1
663	94929	Screw—Hex.	1
851	493880	Terminal—Cable	1
877	393814	Wire—Alternator	1



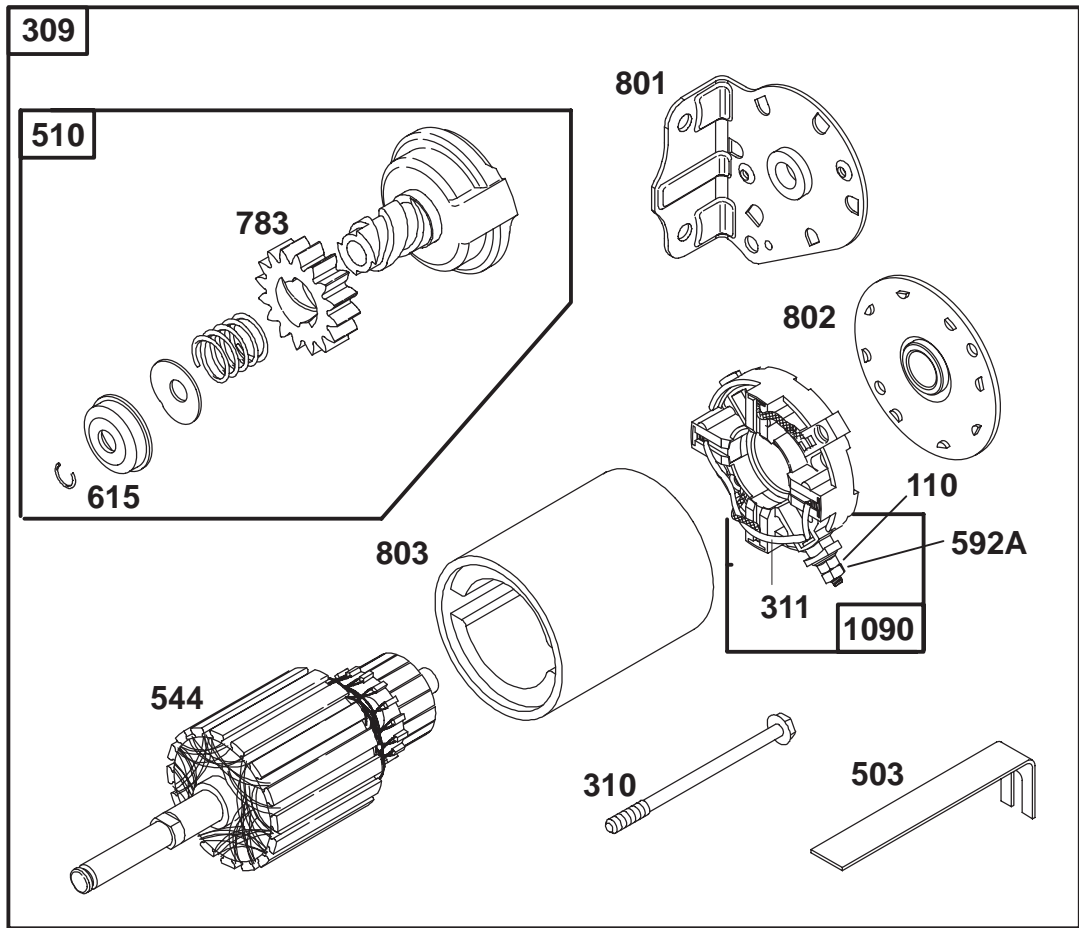
1036 LABEL KIT-EMISSIONS

Assemblies include all parts shown in frames.

ENGINE BRIGGS & STRATTON MODEL 195707-0421-E1

Ref. No.	Part No.	Description	No. Used
23	391983	Flywheel	1
73	224517	Screen-Rotating	1
75	225136	Washer-Flywheel	1
78	94626	Screw-Hex.	1
304	494084	Housing-Blower	1
305	94786	Screw-Hex.	1
332	94877	Nut-Flywheel	1

Ref. No.	Part No.	Description	No. Used
363	19165	Flywheel Puller	1
423	94625	Screw-Shoulder	1
455	222561	Cup-Flywheel	1
726	392134	Gear-Ring	1
727	395405	Guard-Starter Drive	1
729	281395	Clip-Wire	1
1036	499356	Label Kit - Emissions	1

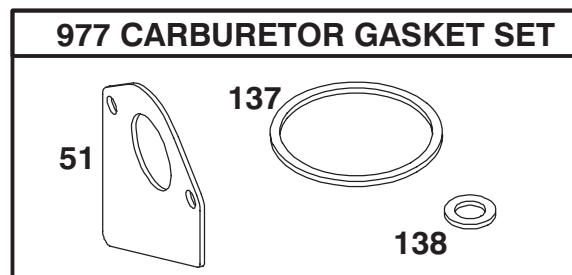
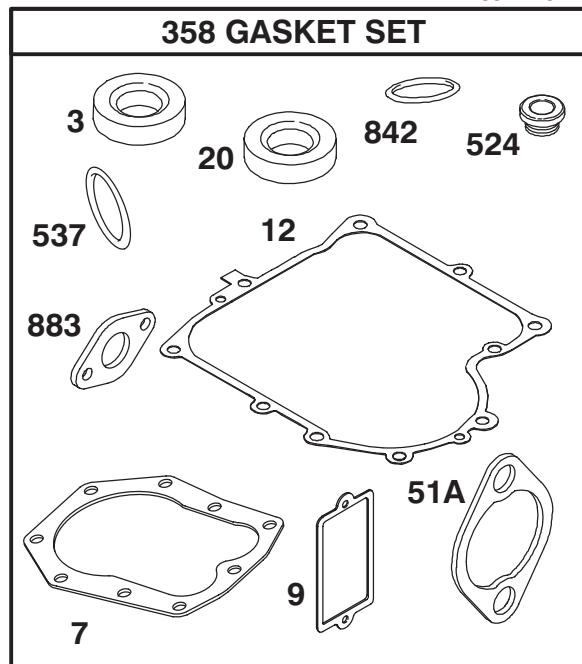
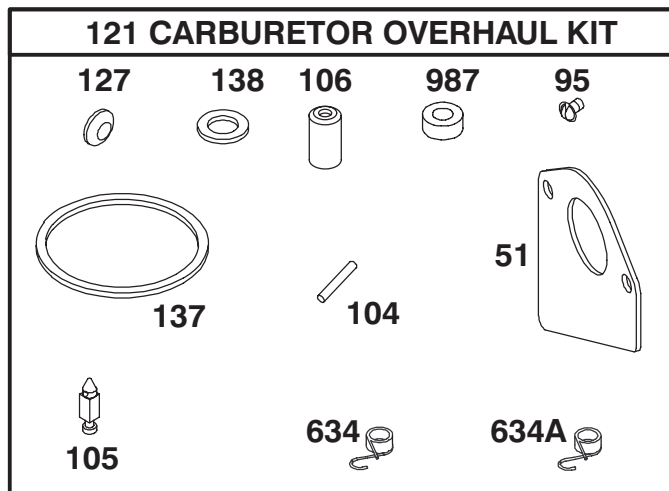
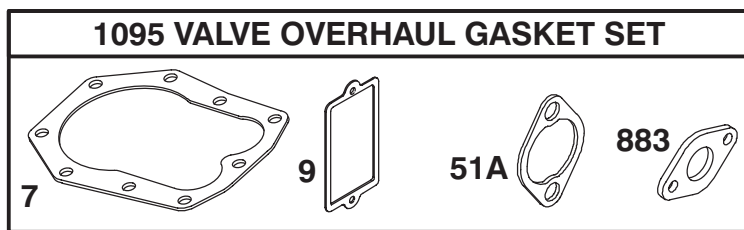


Assemblies include all parts shown in frames.

ENGINE BRIGGS & STRATTON MODEL 195707-0421-E1

Ref. No.	Part No.	Description	No. Used
110	225137	Washer-Flat	1
309	497595	Motor-Starter	1
310	94003	Screw-Hex.	1
311	497608	Brush Set	1
592A	92278	Nut-Hex.	1
503	806006	Strap-Starter	1
510	497606	Drive-Starter	1
544	497603	Armature-Starter	1

Ref. No.	Part No.	Description	No. Used
615	263080	Retainer	1
728	94951	Screw-Torx® Hex.	1
729A	225170	Clip-Wire	1
783	280104	Gear-Starter	1
801	394856	Cap-Drive	1
802	497607	Cap-End	1
803	497604	Housing-Starter	1
1090	497605	Retainer-Brush	1



Assemblies include all parts shown in frames.

ENGINE BRIGGS & STRATTON MODEL 195707-0421-E1

Ref. No.	Part No.	Description	No. Used
★3	391086	Seal—Oil	1
†★7	272163	Gasket—Cylinder Head	1
†★9	27803	Gasket—Breather	1
★12	271701	Gasket—Crankcase (.015" Thick, Std.)	1
★	27876	Gasket—Crankcase (.005" Thick)	1
★	27877	Gasket—Crankcase (.009" Thick)	1
★20	391086	Seal—Oil	1
◆●51	272465	Gasket—Carburetor Elbow	1
†★51A	272554	Gasket—Carb. Mtg.	1
●95	94098	Screw—Slotted	1
●104	231789	Pin—Float Hinge	1
●105	231855	Valve—Needle	1
●106	231854	Seat—Inlet	1

Ref. No.	Part No.	Description	No. Used
121	497535	Carburetor Kit	1
●127		Plug—Welch	1
		Note: Sold in Kit Only.	
◆●137	281165	Gasket—Float Bowl	1
◆●138	281164	Washer	1
358	299577	Gasket Set	1
★524	281370	Grommet	1
★537	281106	Gasket—Air Cleaner	1
●634	494453	Seal—Choke Shaft	1
●634A	494455	Seal—Choke Shaft	1
★842	270920	Seal—O-Ring	1
†★883	272309	Gasket—Exhaust	1
977	494385	Gasket Set—Carburetor	1
◆987	281166	Seal—Throttle Shaft	1
1095	498536	Gasket Set— Valve Overhaul	1

★ Included in Gasket Set—Part No. 299577.
● Included in Carburetor Kit—Part No. 497535.

◆ Included in Carburetor Gasket Set—Part No. 494385.
† Included in Valve Overhaul Gasket Set—Part No. 498536.

PRODUCT CHANGES

In an effort to make improvements available to TORO owners as quickly as possible, minor changes are incorporated into Toro's products from time to time that do not become immediately shown in the Parts Catalog. If such a change has been made in your unit, which is not reflected in your manual, see your TORO Distributor or his Authorized TORO Service Dealer for information and part numbers.

COUNTRIES OTHER THAN THE UNITED STATES OR CANADA

Customers who have purchased TORO products exported from the United States or Canada should contact their Toro Distributor (Dealer) to obtain guarantee policies for your country, province or state. If for any reason you are dissatisfied with your Distributor's

service or have difficulty obtaining guarantee information, contact the TORO importer. If all other remedies fail, you may contact us at The Toro Company.

MAINTENANCE RECORD

Date								

Compliance with Radio Interference Regulations Certified.
Certifie Conforme au Reglement sur le Brouillage Radioelectrique.

MAINTENANCE RECORD

3324-824

Date								

MAINTENANCE RECORD

Date								