



Count on it.

Parts Catalog

Winter Enclosure

**Groundsmaster® 3200 or 3300 Series
Traction Unit**

Model No. 31990—Serial No. 40000000 and Up



Ordering Replacement Parts

To order replacement parts, please supply the part number, the quantity, and the description of each part desired.

Understanding Reference Numbers

Each identified part in an illustration has a reference number. The reference number for a part also appears in the parts list, along with other information about the part.

This catalog uses two special reference number formats, one to indicate parts in a service assembly and another to indicate the quantity of a given part in an illustration.

Service Assembly Reference Numbers

Parts in service assemblies have reference numbers in the form a:b. The a represents the reference number of the entire service assembly and the b represents a sequential number unique to each part within the service assembly.

For example, a wheel assembly might be identified by reference number 6, the tire by 6:1, the valve by 6:2, and the wheel by 6:3. When you order the assembly identified by reference number 6, you receive all parts identified by reference numbers 6:1, 6:2, and 6:3. However, you may also order any part individually. Reference numbers of this type appear in illustration and in parts lists.

Reference Numbers Indicating Quantity

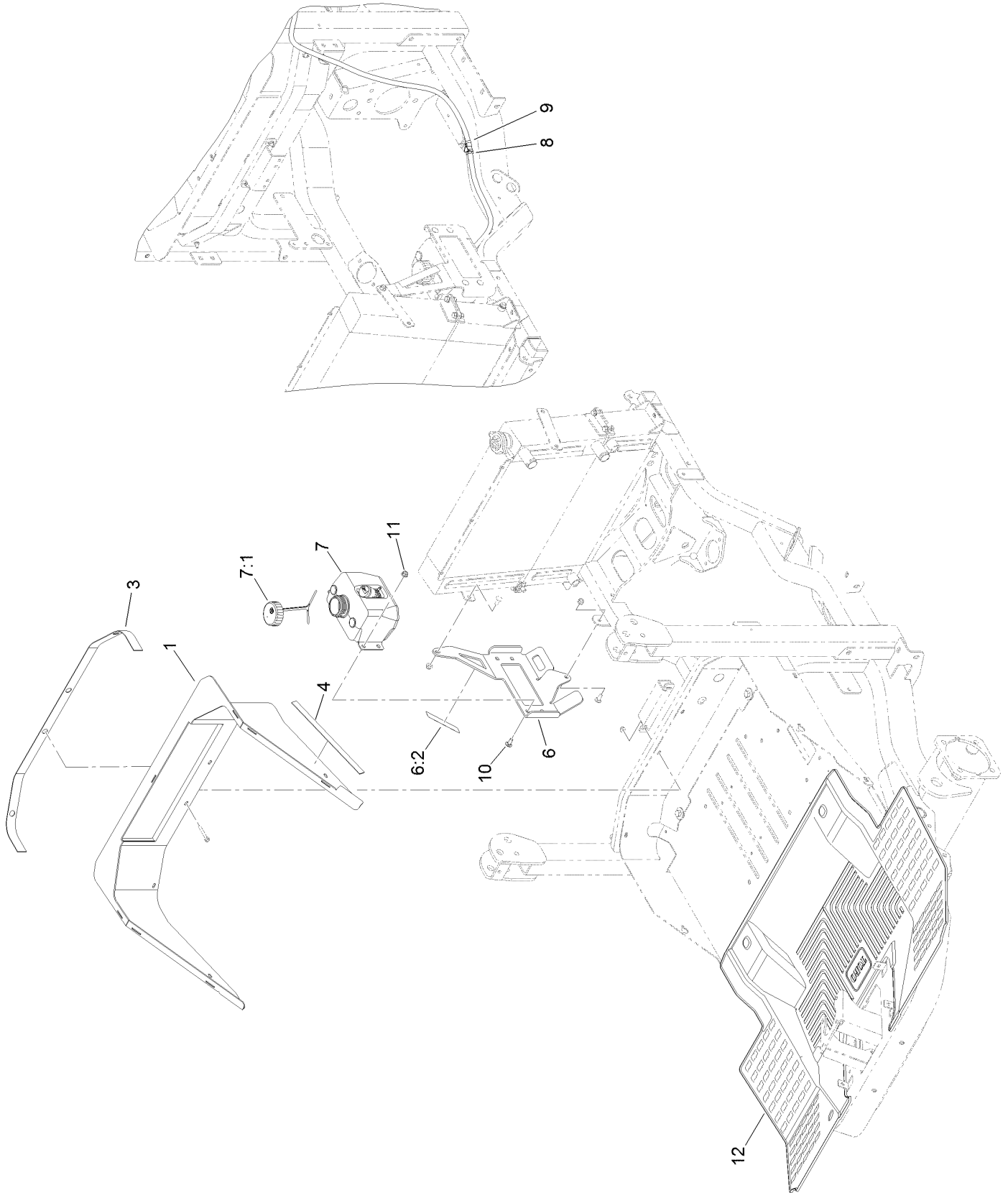
In an illustration, if a reference number indicates more than one part, the reference number has the form nX y. The n represents the quantity of the part, the X is the multiplication symbol, and the y represents the reference number.

For example, in an illustration, the reference number 2X 37 means that two of the parts identified by reference number 37 are indicated.

Contents

Loose Parts (Field Installation) Assembly	4
Step Mount Assembly	6
Rear Weights Assembly	8
Fuse Assembly	10
Frame, Mount and Seals Assembly	12
Interior Foam and Carpet Assembly	14
Cab Mirrors Assembly	16
Decal Assembly	18
Door Assembly	20
LH Door Assembly	22
RH Door Assembly	24
Front and Rear Glass Assembly	26
Window Wiper System Assembly	28
Window Wiper Assembly	30
Window Wiper Hose Assembly	32
Heater Assembly	34
Heater Hose 37HP Assembly	36
Heater Hose 24HP Assembly	38
Electrical Component Assembly	40
Dome Light Wire Harness Assembly	42

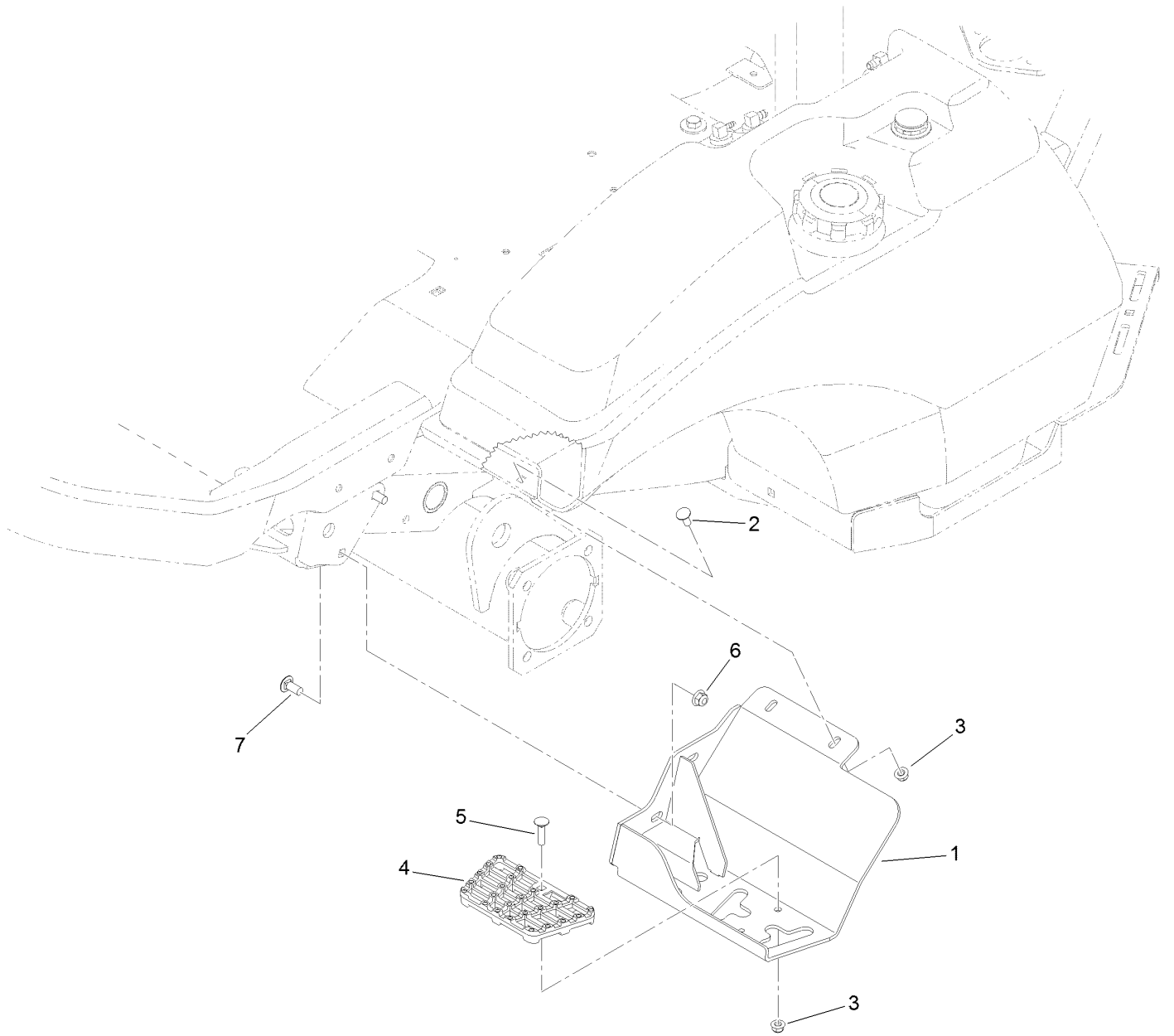
Loose Parts (Field Installation) Assembly



Loose Parts (Field Installation) Assembly (continued)

<i>Ref.</i>	<i>Part Number</i>	<i>Qty.</i>	<i>Description</i>	<i>Ref.</i>	<i>Part Number</i>	<i>Qty.</i>	<i>Description</i>
1	139-2035-03	1	Firewall-Upper	7:1	125-5258	1	Lid-Tank, Washer Fluid
3	139-2039	1	Seal-Foam, Firewall	8	130-5794	1	Fitting-Straight
4	139-2040	2	Seal-Foam, Side	9	130-5795	1	Fitting-Straight
6	140-4411	1	Bracket-Bottle, Washer	10	3230-23	4	Screw-CARR
6:2	93-7272	1	Decal-Warning	11	104-8300	4	Nut-HF, NI
7	138-2702	1	Tank-Fluid, Washer	12	139-2026	1	Floormat-Platform

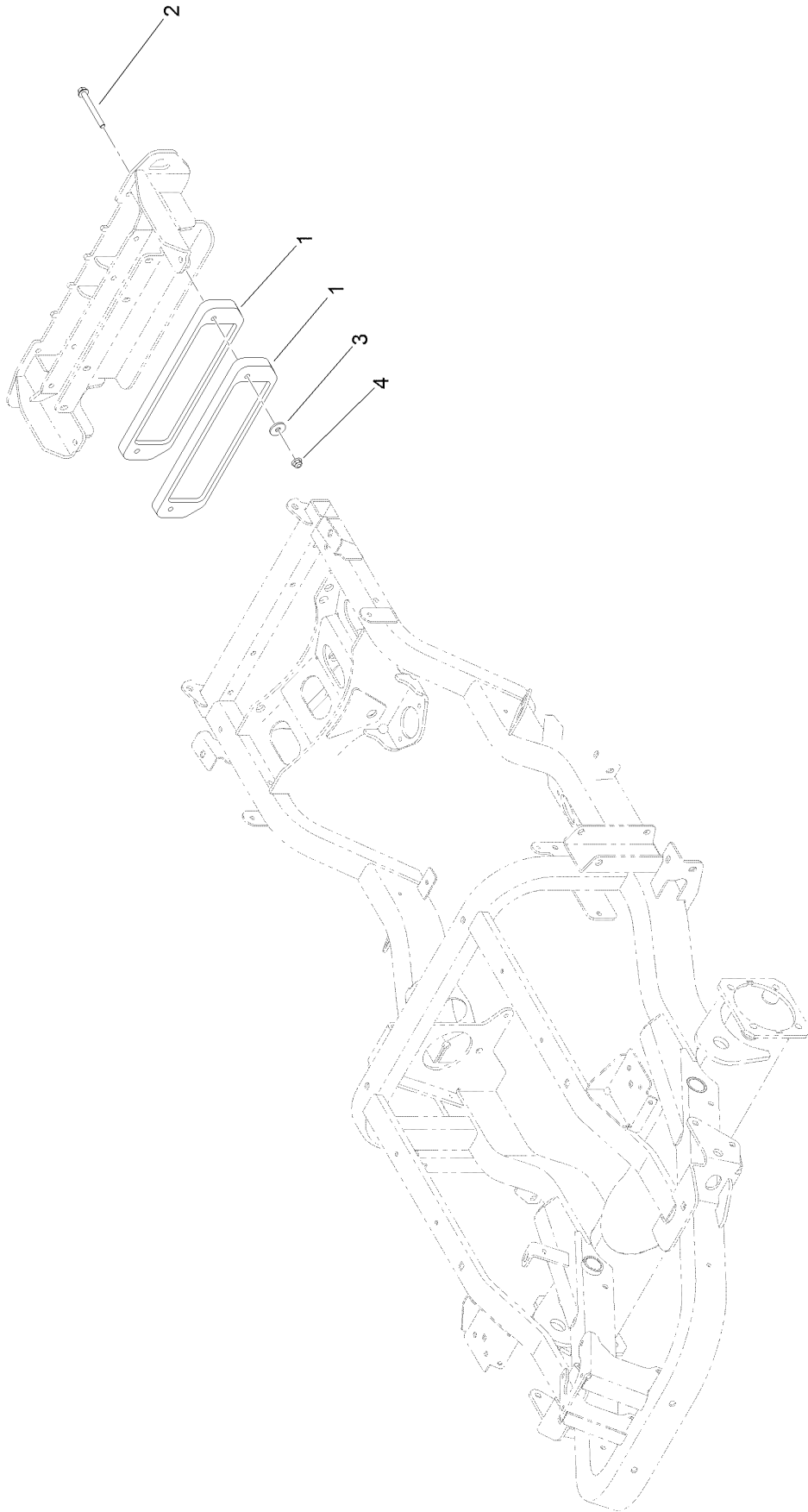
Step Mount Assembly



Step Mount Assembly (continued)

<i>Ref.</i>	<i>Part Number</i>	<i>Qty.</i>	<i>Description</i>	<i>Ref.</i>	<i>Part Number</i>	<i>Qty.</i>	<i>Description</i>
1	140-6577-03	1	Bracket-Mount, Step	5	3230-3	1	Screw-CARR
2	3230-23	2	Screw-CARR	6	104-8301	2	Nut-HF, NI
3	104-8300	3	Nut-HF, NI	7	3231-27	2	Screw-CARR
4	126-4781	1	Step-Deck				

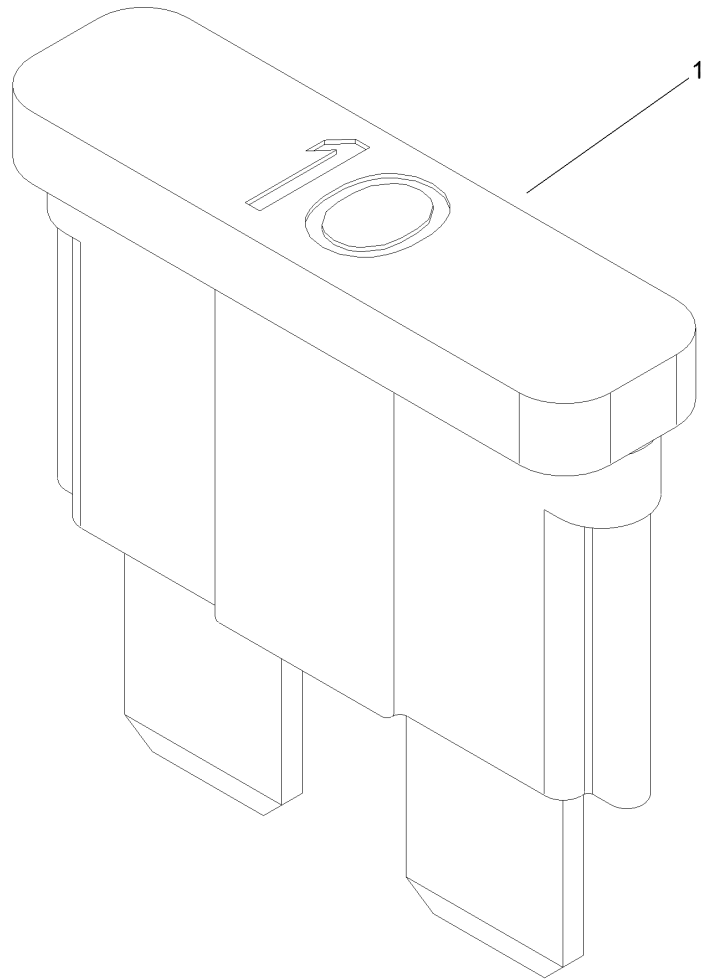
Rear Weights Assembly



Rear Weights Assembly (continued)

<i>Ref.</i>	<i>Part Number</i>	<i>Qty.</i>	<i>Description</i>	<i>Ref.</i>	<i>Part Number</i>	<i>Qty.</i>	<i>Description</i>
1	112-7059-01	2	Weight-Cast	3	125-9676	2	Washer-Backup
2	116-4701	2	Screw-HHF	4	104-8301	2	Nut-HF, NI

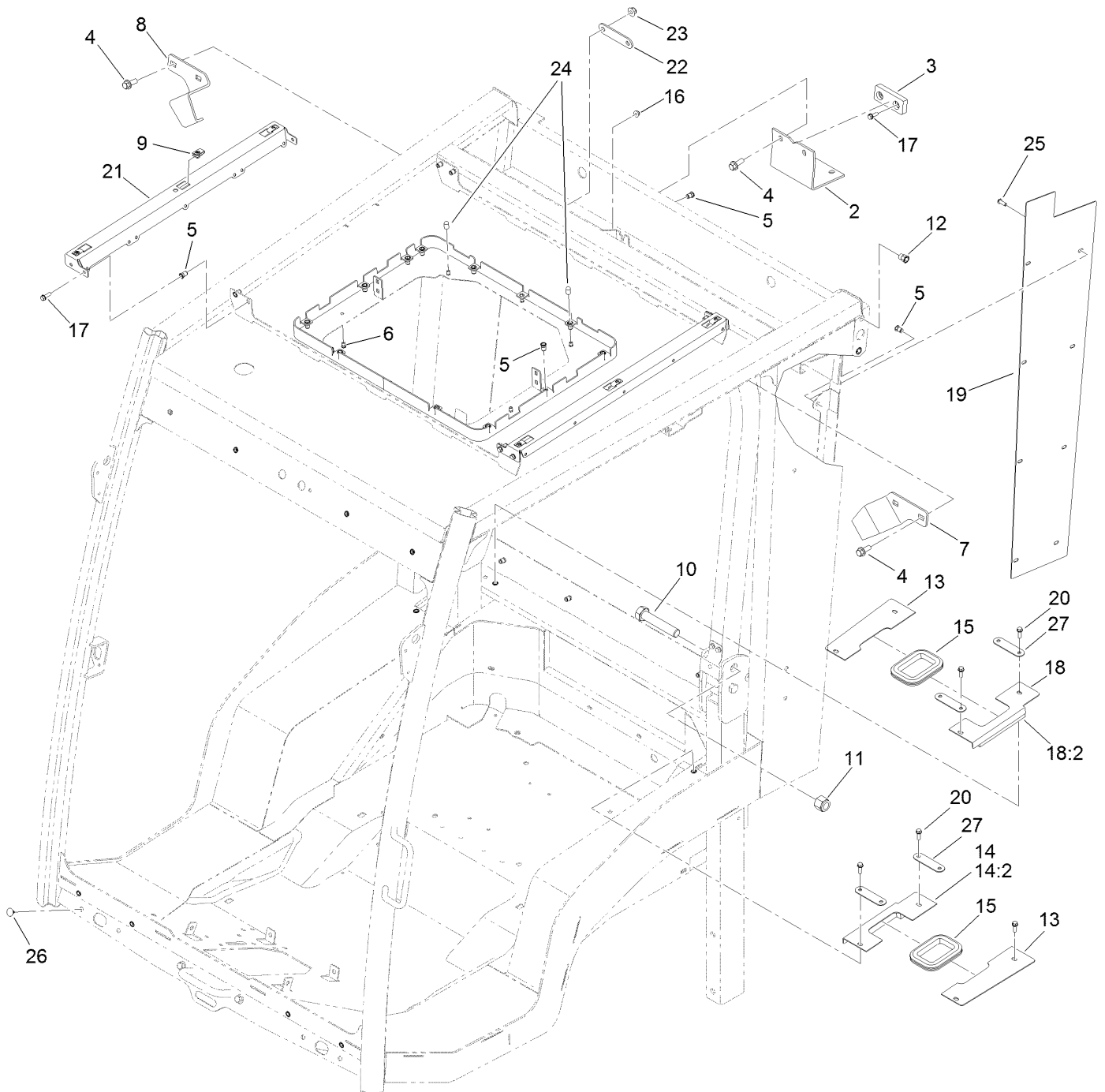
Fuse Assembly



Fuse Assembly (continued)

<i>Ref.</i>	<i>Part Number</i>	<i>Qty.</i>	<i>Description</i>
1	218-578	1	Fuse-Blade, 10 Amp

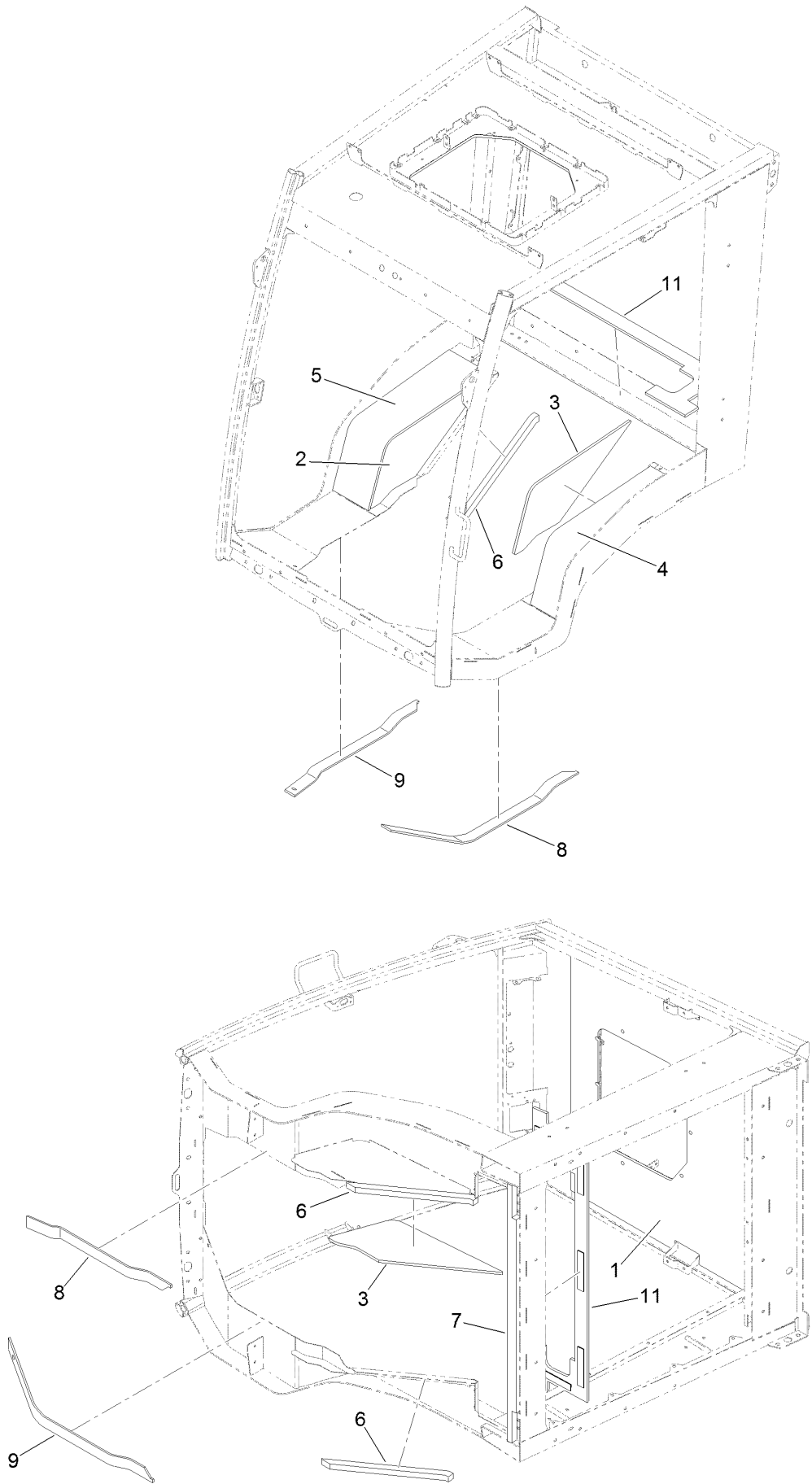
Frame, Mount and Seals Assembly



Frame, Mount and Seals Assembly (continued)

<i>Ref.</i>	<i>Part Number</i>	<i>Qty.</i>	<i>Description</i>	<i>Ref.</i>	<i>Part Number</i>	<i>Qty.</i>	<i>Description</i>
2	139-2043-03	2	Mount-ROPS	15	139-1959	2	Seal-Rollbar
3	86-5350	4	Bumper-Rubber	16	104-7201	8	Nut-HF
4	3234-42	12	Screw-HHF	17	32105-15	16	Screw-HWH
5	138-2760	69	Nut-Clinch, Hex	18	140-6542	1	RH Cover ASM
6	137-1225	8	Nut-Clinch,Hex	18:2	139-2000	1	Seal-Foam
7	139-2172-03	1	Stop-ROPS, LH	19	137-1167-03	2	Cover-Post, Rear
8	139-2174-03	1	Stop-ROPS, RH	20	32105-15	8	Screw-HWH
9	107069	6	Clip	21	139-2158-03	2	Bracket-Mount, Roof
10	328-7	2	Screw-HH	22	139-2170	6	Brace-ROPS
11	3296-51	2	Nut-Lock, NI	23	104-8301	12	Nut-HF, NI
12	138-2899	4	Nut-Clinch	24	139-2180	2	Plug-Cap, Plastic
13	140-6537-03	2	Cover-Retainer, Seal	25	32105-15	16	Screw-HWH
14	140-6541	1	LH Cover ASM	26	140-4433	4	Rivet-Push
14:2	139-2000	1	Seal-Foam	27	140-6540	4	Retainer-Cover

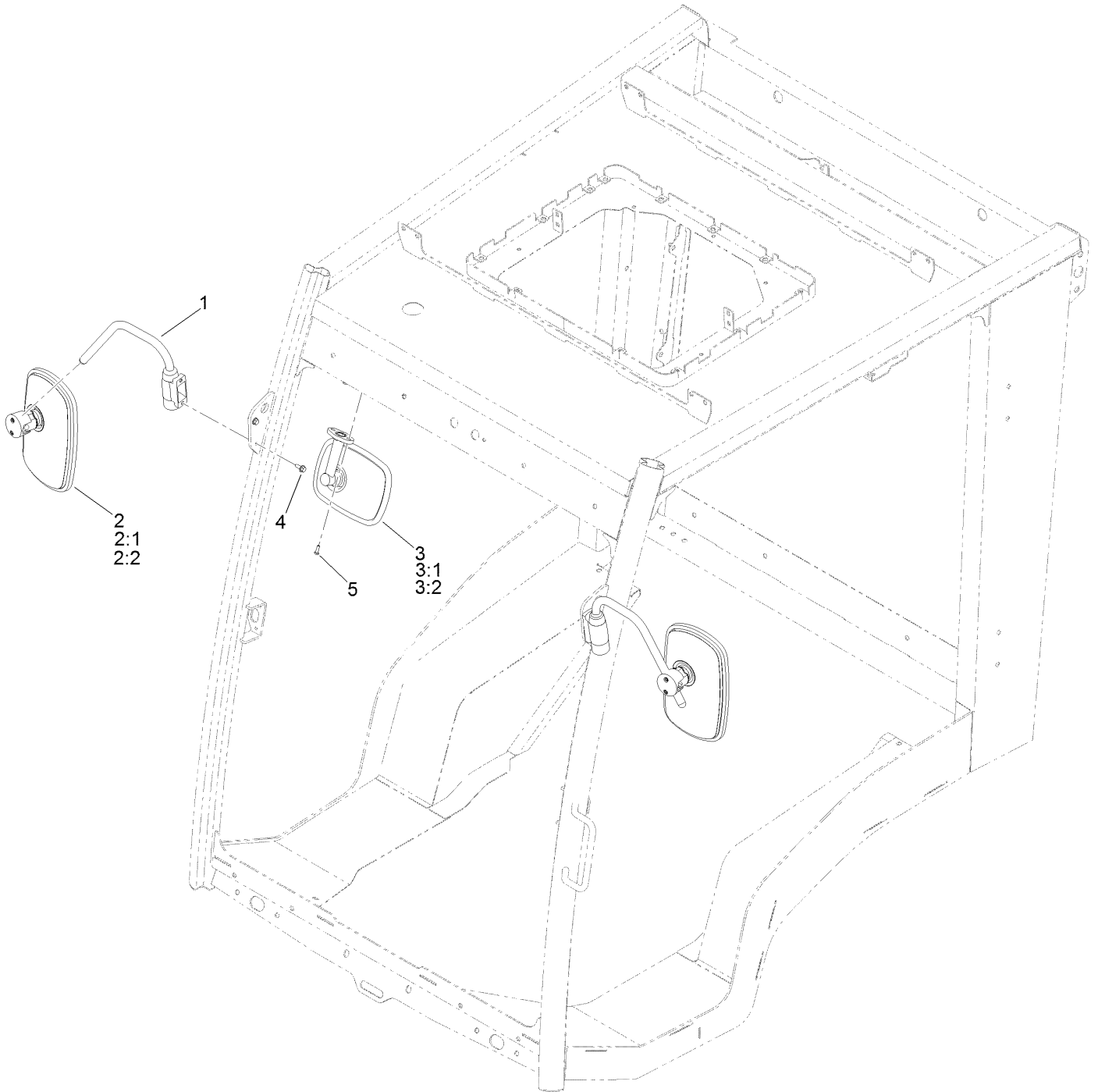
Interior Foam and Carpet Assembly



Interior Foam and Carpet Assembly (continued)

<i>Ref.</i>	<i>Part Number</i>	<i>Qty.</i>	<i>Description</i>	<i>Ref.</i>	<i>Part Number</i>	<i>Qty.</i>	<i>Description</i>
1	140-1499	1	Foam-Interior Roof	6	139-2003	2	Seal-Foam, Side
2	139-1966	1	Carpet-Interior, Side RH	7	139-1999	1	Seal-Foam, Rear Shelf
3	139-1965	1	Carpet-Interior, Side LH	8	139-2004	1	Seal-Foam, LH
4	139-1967	1	Carpet-Interior, Tank LH	9	139-2005	1	Seal-Foam, RH
5	139-1968	1	Carpet-Interior, Tank RH	11	139-2069	1	Foam-Panel, Rear

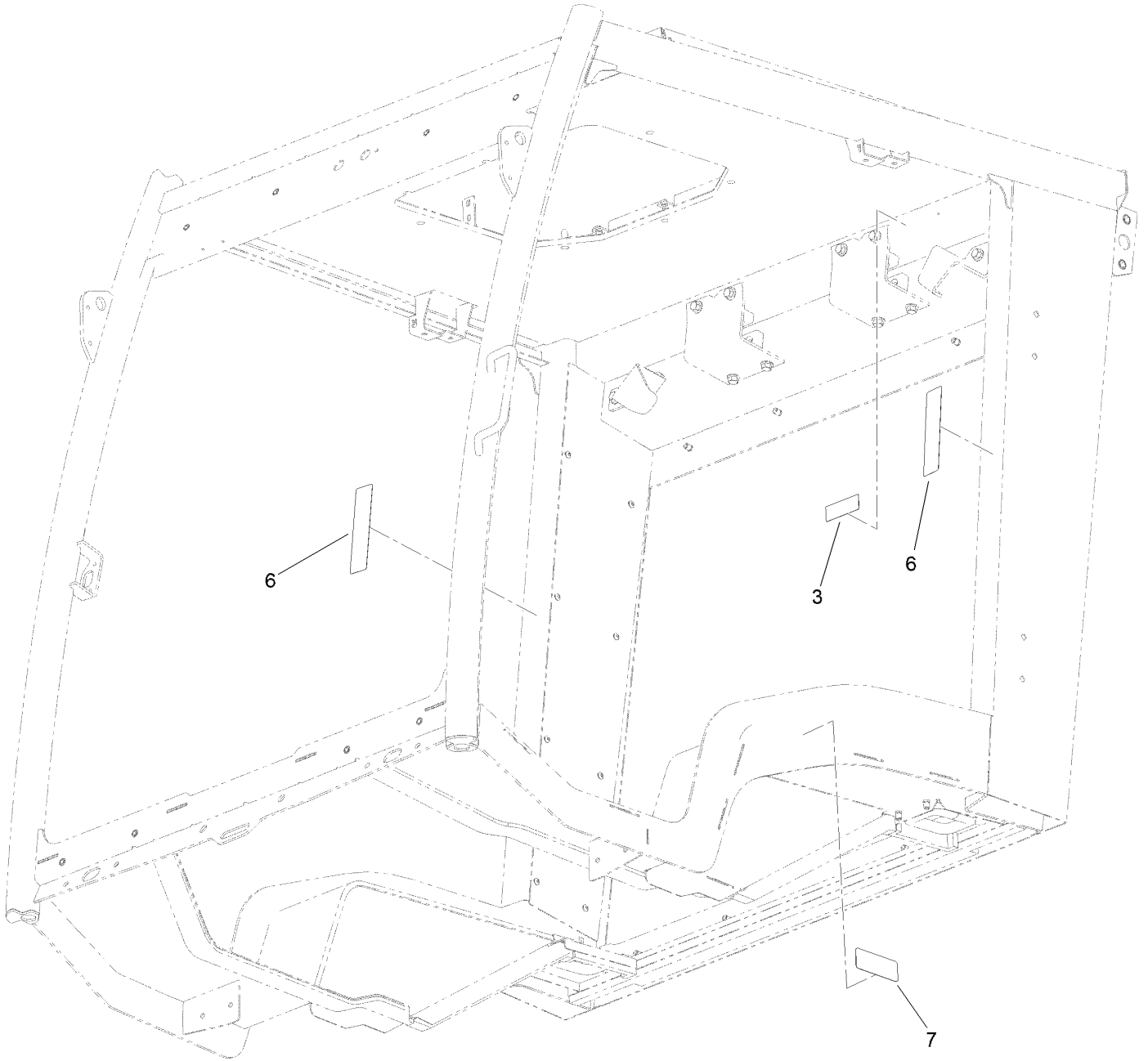
Cab Mirrors Assembly



Cab Mirrors Assembly (continued)

<i>Ref.</i>	<i>Part Number</i>	<i>Qty.</i>	<i>Description</i>	<i>Ref.</i>	<i>Part Number</i>	<i>Qty.</i>	<i>Description</i>
1	121-8275	2	Arm-Mirror, Side	3:1	121-8342	1	Mirror
2	121-8341	2	Side Mirror ASM	3:2	121-8389	1	Gasket
2:1	121-8340	1	Mirror	4	33103-016	4	Screw-HHF
2:2	121-8339	1	Gasket	5	32144-32	2	Screw
3	121-8343	1	Interior Mirror ASM				

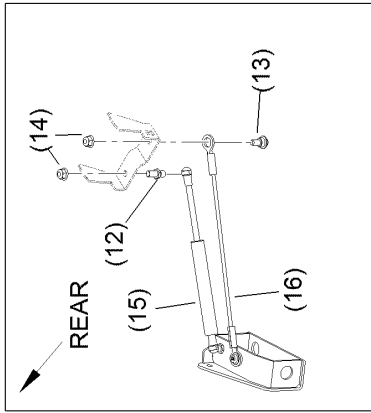
Decal Assembly



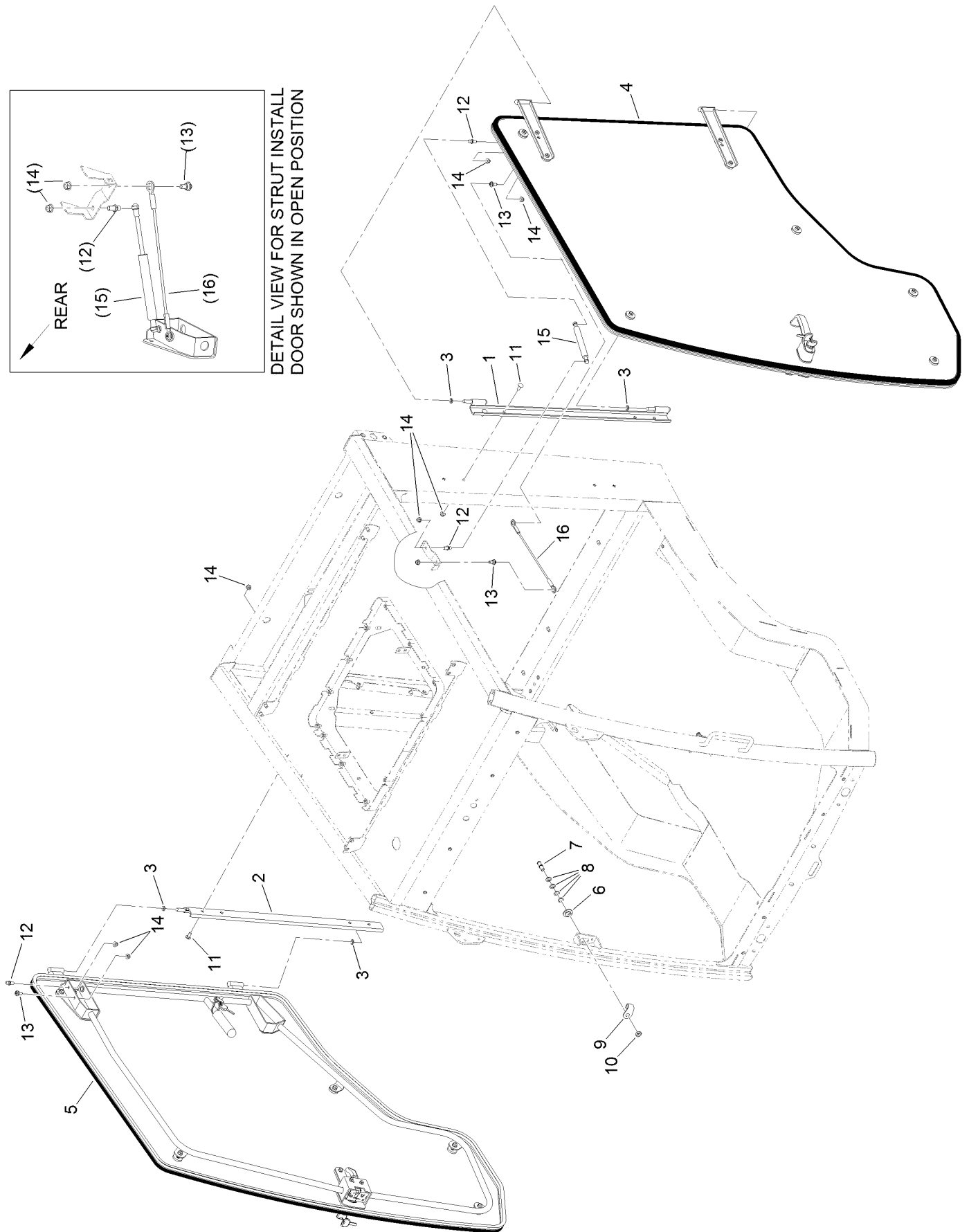
Decal Assembly (continued)

<i>Ref.</i>	<i>Part Number</i>	<i>Qty.</i>	<i>Description</i>
3	140-1462	1	Decal-Regulatory
6	130-0594	2	Decal-Warning
7	106-9206	2	Decal-Torque, Wheel

Door Assembly



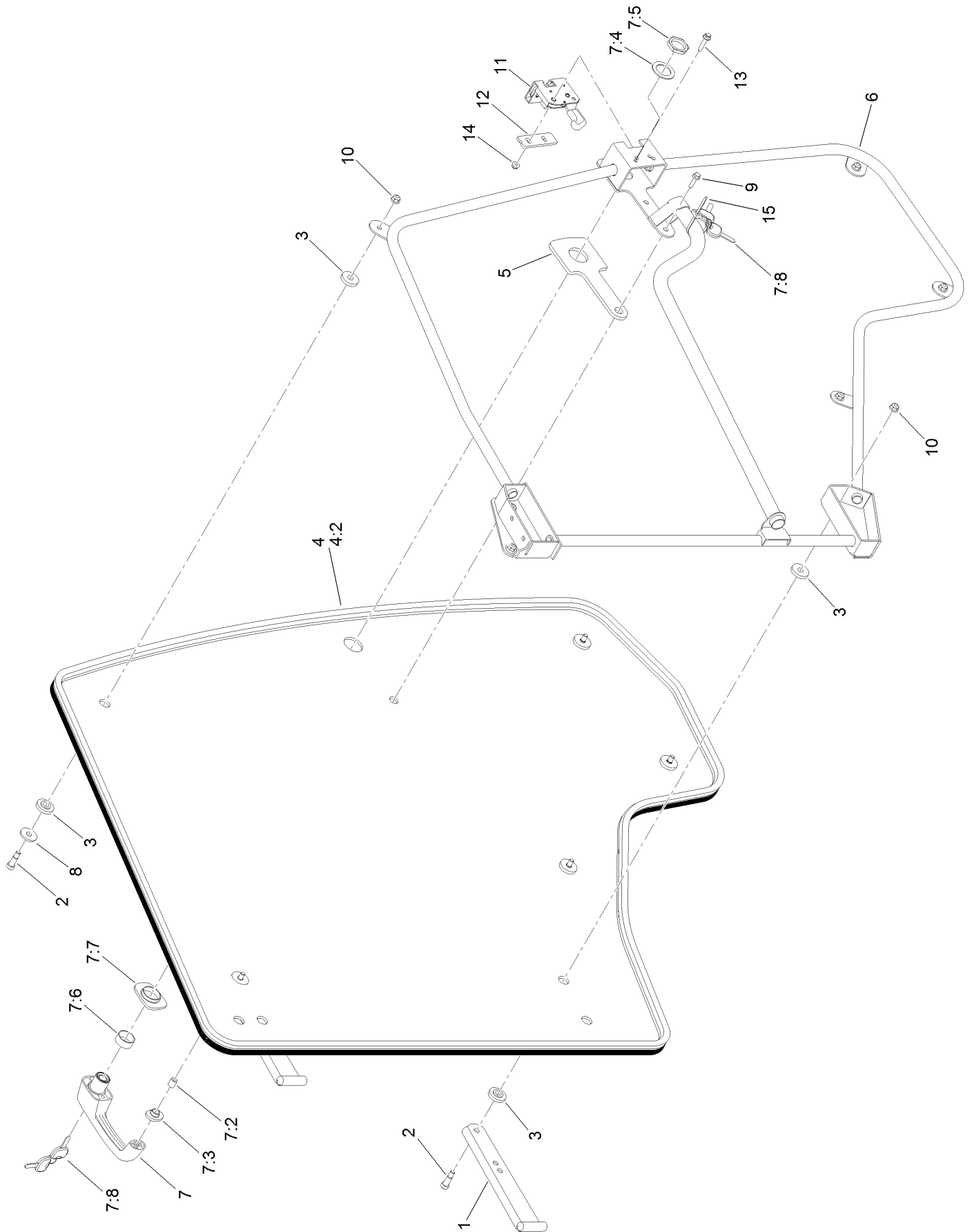
DETAIL VIEW FOR STRUT INSTALL
DOOR SHOWN IN OPEN POSITION



Door Assembly (continued)

<i>Ref.</i>	<i>Part Number</i>	<i>Qty.</i>	<i>Description</i>	<i>Ref.</i>	<i>Part Number</i>	<i>Qty.</i>	<i>Description</i>
1	138-2944-03	1	Mount-Door, LH	9	121-8393	2	Guard-Striker
2	138-2945-03	1	Mount-Door, RH	10	140-4431	2	Nut-Hex, Jam
3	121-8441	4	Washer-Spacer	11	3230-23	8	Screw-CARR
4	140-6554	1	LH Door ASM	12	98-3104	4	Stud-Ball
5	140-6555	1	RH Door ASM	13	120-9471	4	Bolt-Shoulder
6	125-9992	2	Adjuster-Stud	14	104-8300	16	Nut-HF, NI
7	140-4422	2	Striker-Stud	15	136-1963	2	Spring-Gas, Door
8	73-0040	8	Washer-Thrust	16	140-1636	2	Lanyard-Coated

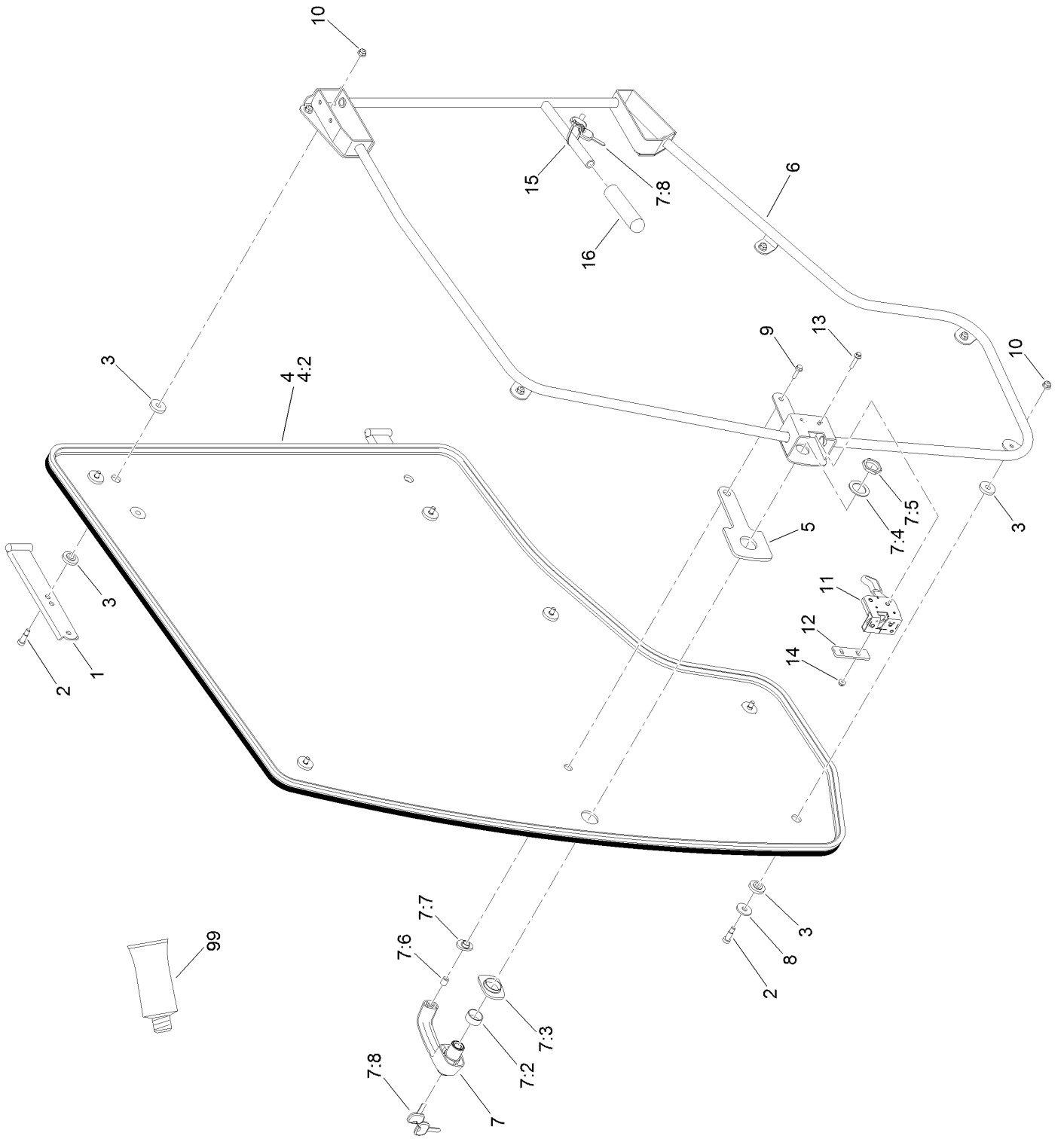
LH Door Assembly



LH Door Assembly (continued)

<i>Ref.</i>	<i>Part Number</i>	<i>Qty.</i>	<i>Description</i>	<i>Ref.</i>	<i>Part Number</i>	<i>Qty.</i>	<i>Description</i>
1	132-3622-03	2	Hinge-Door, LH	7:6	121-8627	1	Cylinder-Mounting, End
2	125-9520	9	Screw-Shoulder, HSH	7:7	121-8323	1	Grommet-Mounting, Small
3	125-9982	18	Bushing-Flange	7:8	125-9531	1	Key-Set
4	137-1207	1	LH Glass Door ASM	8	125-9676	5	Washer-Backup
4:2	137-1205	1	Trim-Seal, Door	9	33103-025	1	Screw-HHF
5	121-8331	1	Gasket-Handle	10	104-8300	9	Nut-HF, NI
6	140-6552-03	1	Frame-Door, LH	11	121-8391	1	Latch-LH
7	121-8630	1	Handle ASM	12	121-8395	1	Plate-Support, Latch
7:2	121-8628	1	Cylinder-Mounting, Key	13	3234-21	2	Screw-HHF
7:3	121-8322	1	Grommet-Mounting, Large	14	104-7201	2	Nut-HF
7:4	121-8327	1	Washer	15	3290-378	1	Tie-Cable
7:5	121-8328	1	Nut				

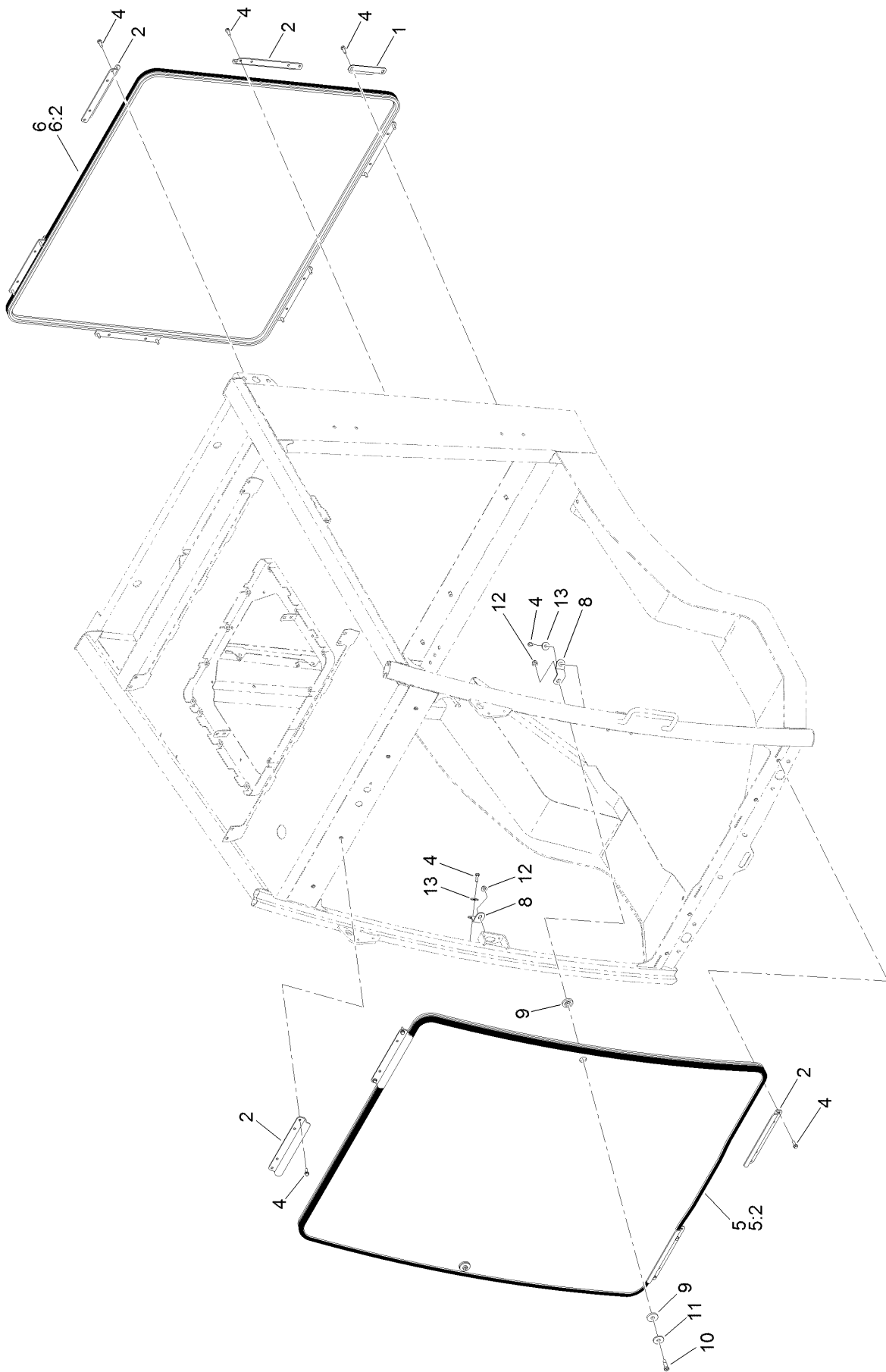
RH Door Assembly



RH Door Assembly (continued)

<i>Ref.</i>	<i>Part Number</i>	<i>Qty.</i>	<i>Description</i>	<i>Ref.</i>	<i>Part Number</i>	<i>Qty.</i>	<i>Description</i>
1	132-3636-03	2	Hinge-Door, RH	7:7	121-8323	1	Grommet-Mounting, Small
2	125-9520	9	Screw-Shoulder, HSH	7:8	125-9531	1	Key-Set
3	125-9982	18	Bushing-Flange	8	125-9676	5	Washer-Backup
4	137-1208	1	RH Glass Door ASM	9	33103-025	1	Screw-HHF
4:2	137-1205	1	Trim-Seal, Door	10	104-8300	9	Nut-HF, NI
5	121-8331	1	Gasket-Handle	11	121-8390	1	Latch-RH
6	140-6553-03	1	Frame-Door, RH	12	121-8395	1	Plate-Support, Latch
7	121-8630	1	Handle ASM	13	3234-21	2	Screw-HHF
7:2	121-8628	1	Cylinder-Mounting, Key	14	104-7201	2	Nut-HF
7:3	121-8322	1	Grommet-Mounting, Large	15	3290-378	1	Tie-Cable
7:4	121-8327	1	Washer	16	110-1037	1	Grip-Handle
7:5	121-8328	1	Nut	99	505-42	1	Adhesive-Loctite
7:6	121-8627	1	Cylinder-Mounting, End				

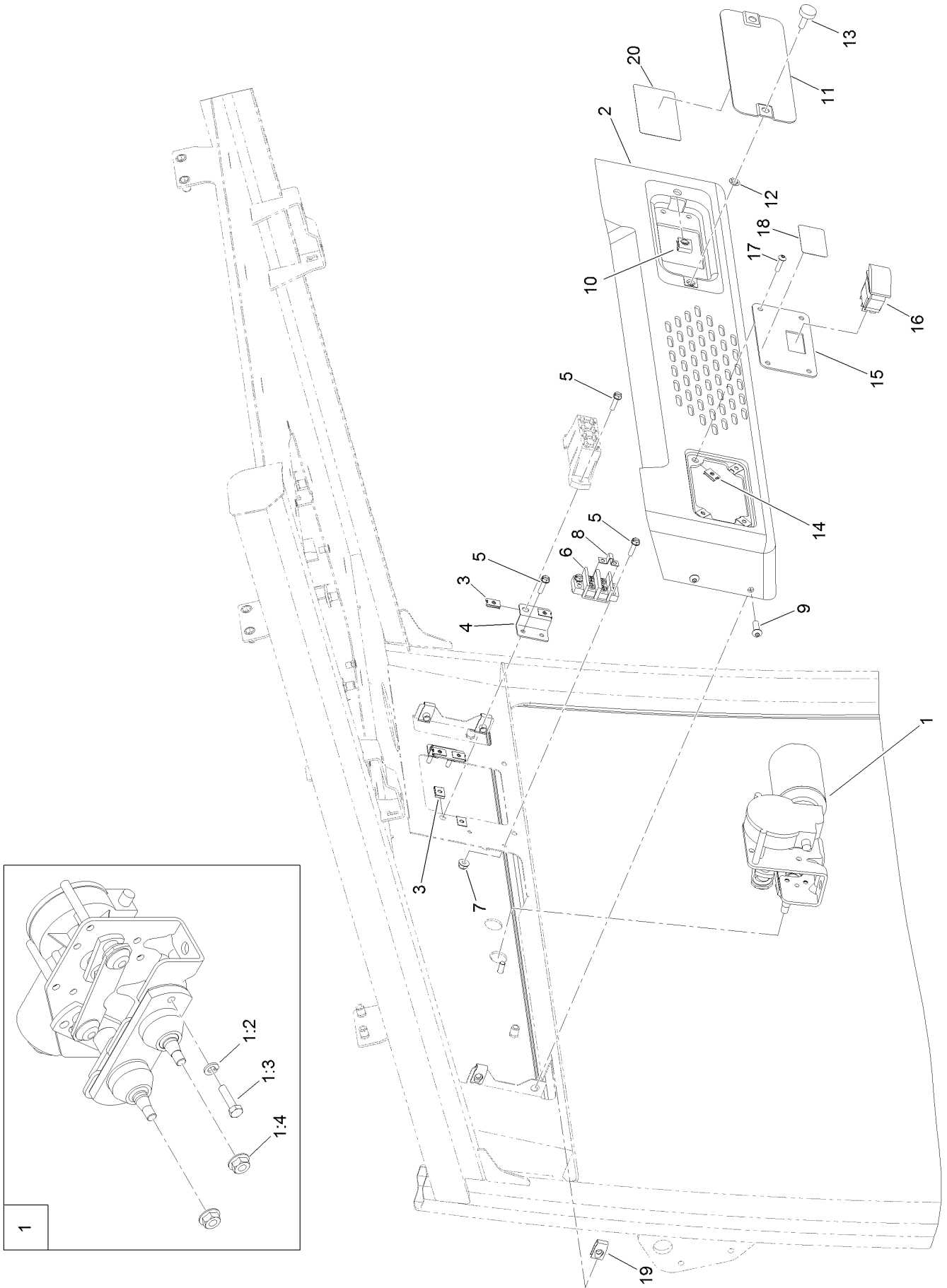
Front and Rear Glass Assembly



Front and Rear Glass Assembly (continued)

<i>Ref.</i>	<i>Part Number</i>	<i>Qty.</i>	<i>Description</i>	<i>Ref.</i>	<i>Part Number</i>	<i>Qty.</i>	<i>Description</i>
1	140-6575-03	2	Bracket-Cover	8	140-4432	2	Bracket-Mount, Window
2	139-2313-03	10	Bracket-Retainer	9	125-9982	4	Bushing-Flange
4	32105-15	26	Screw-HWH	10	125-9520	2	Screw-Shoulder, HSH
5	137-1209	1	Glass Windshield ASM	11	125-9676	2	Washer-Backup
5:2	139-2263	1	Trim-Seal, Windshield	12	104-8300	2	Nut-HF, NI
6	139-1971	1	Rear Window ASM	13	3256-67	2	Washer
6:2	138-2895	1	Trim-Glass.Rear				

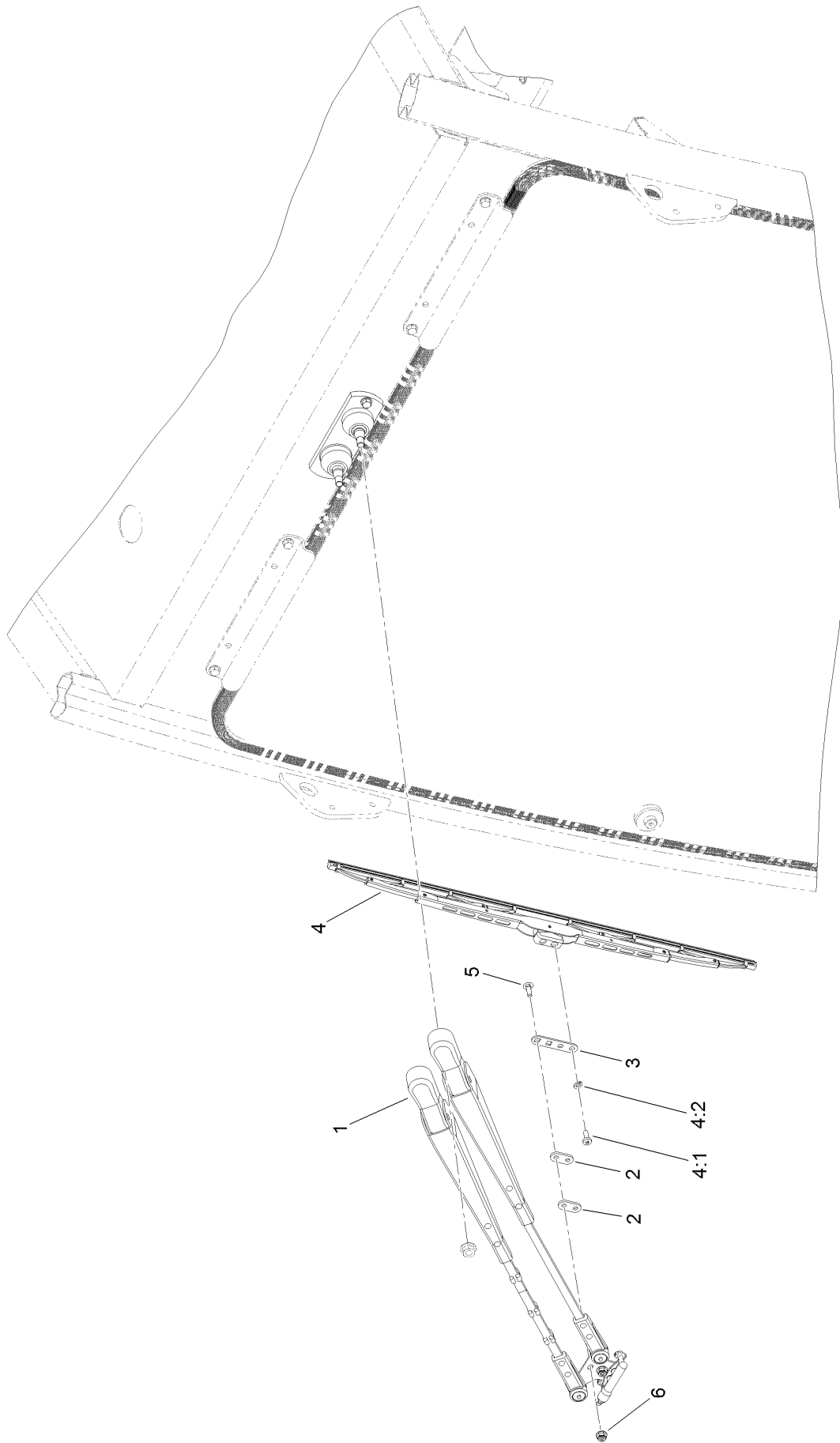
Window Wiper System Assembly



Window Wiper System Assembly (continued)

<i>Ref.</i>	<i>Part Number</i>	<i>Qty.</i>	<i>Description</i>	<i>Ref.</i>	<i>Part Number</i>	<i>Qty.</i>	<i>Description</i>
1	125-7452	1	Wiper Motor ASM	10	609900	2	Nut-Speed
1:2	3253-3	1	Washer-Lock	11	125-9603-03	1	Plate-Cover, Fuse
1:3	33113-025	1	Screw-HH	12	32115-15	4	Nut-Push
1:4	112-2844	2	Nut-HF	13	125-7438	2	Knob-Screw, Thumb
2	138-2764	1	Cover-Wiper	14	701493	4	Nut-Speed
3	107-1013	6	Nut-Speed	15	139-2048-03	1	Plate-Mount, Switch
4	138-2822	2	Bracket-Fuse Block	16	119-8355	1	Switch-Rocker
5	32105-13	8	Screw-HWH	17	104-2408	4	Screw-HSBH
6	42862	1	Block-Terminal, Ground	18	125-9688	1	Decal-Washer
7	120-4578	2	Nut-HF	19	107069	4	Clip
8	42863	1	Strip-Jumper	20	140-6632	1	Decal-Fuse Panel
9	3274-69	4	Screw-HSBH				

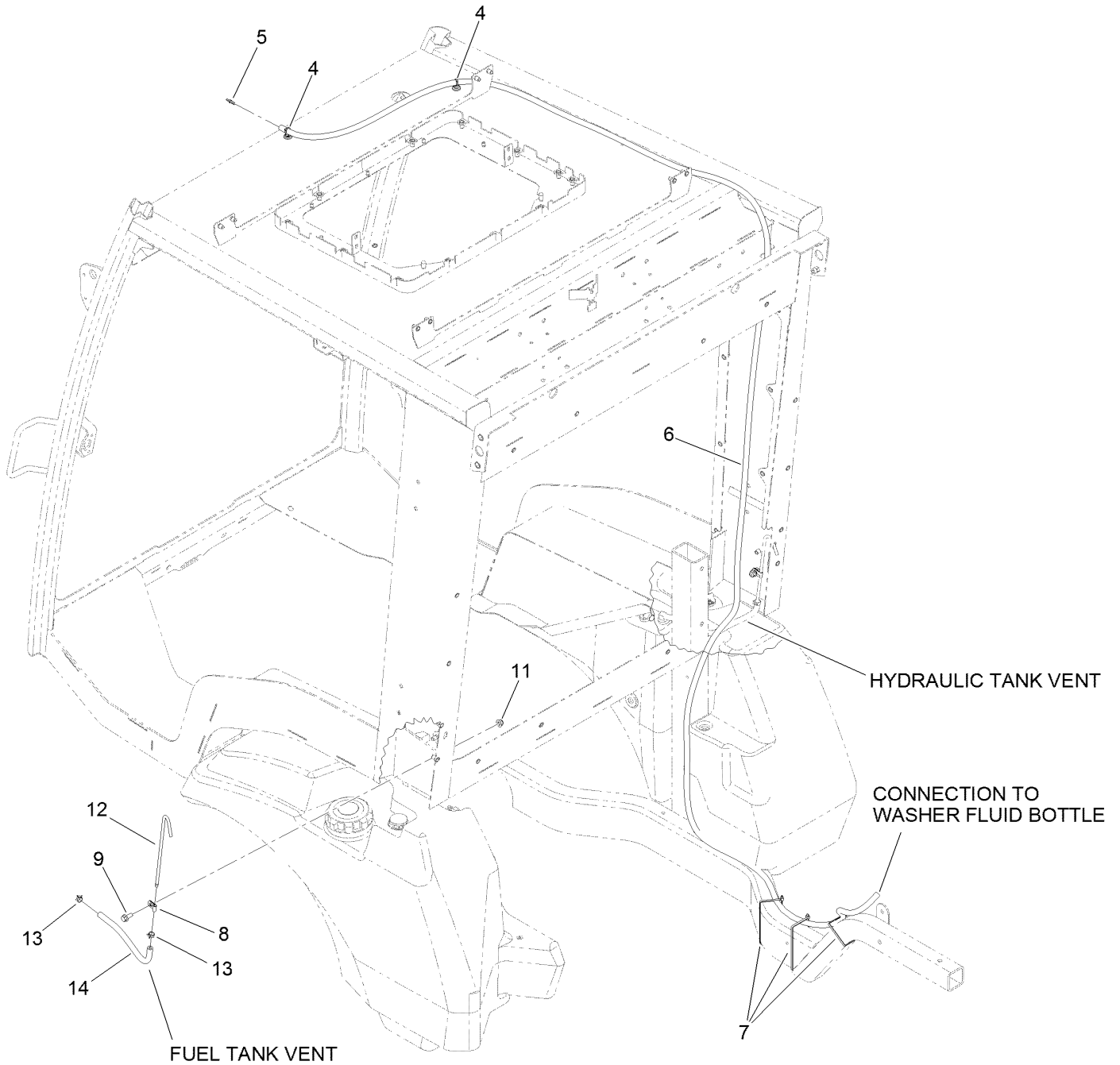
Window Wiper Assembly



Window Wiper Assembly (continued)

<i>Ref.</i>	<i>Part Number</i>	<i>Qty.</i>	<i>Description</i>	<i>Ref.</i>	<i>Part Number</i>	<i>Qty.</i>	<i>Description</i>
1	137-1114	1	Arm-Wiper	4:1	47-2830	2	Screw
2	139-2250	2	Mount-Wiper, Spacer	4:2	43-5920	2	Washer-Lock, Spring
3	140-6556	1	Mount-Wiper	5	3229-20	2	Screw-CARR
4	137-1127	1	Blade-Wiper	6	138-0719	2	Nut-HF

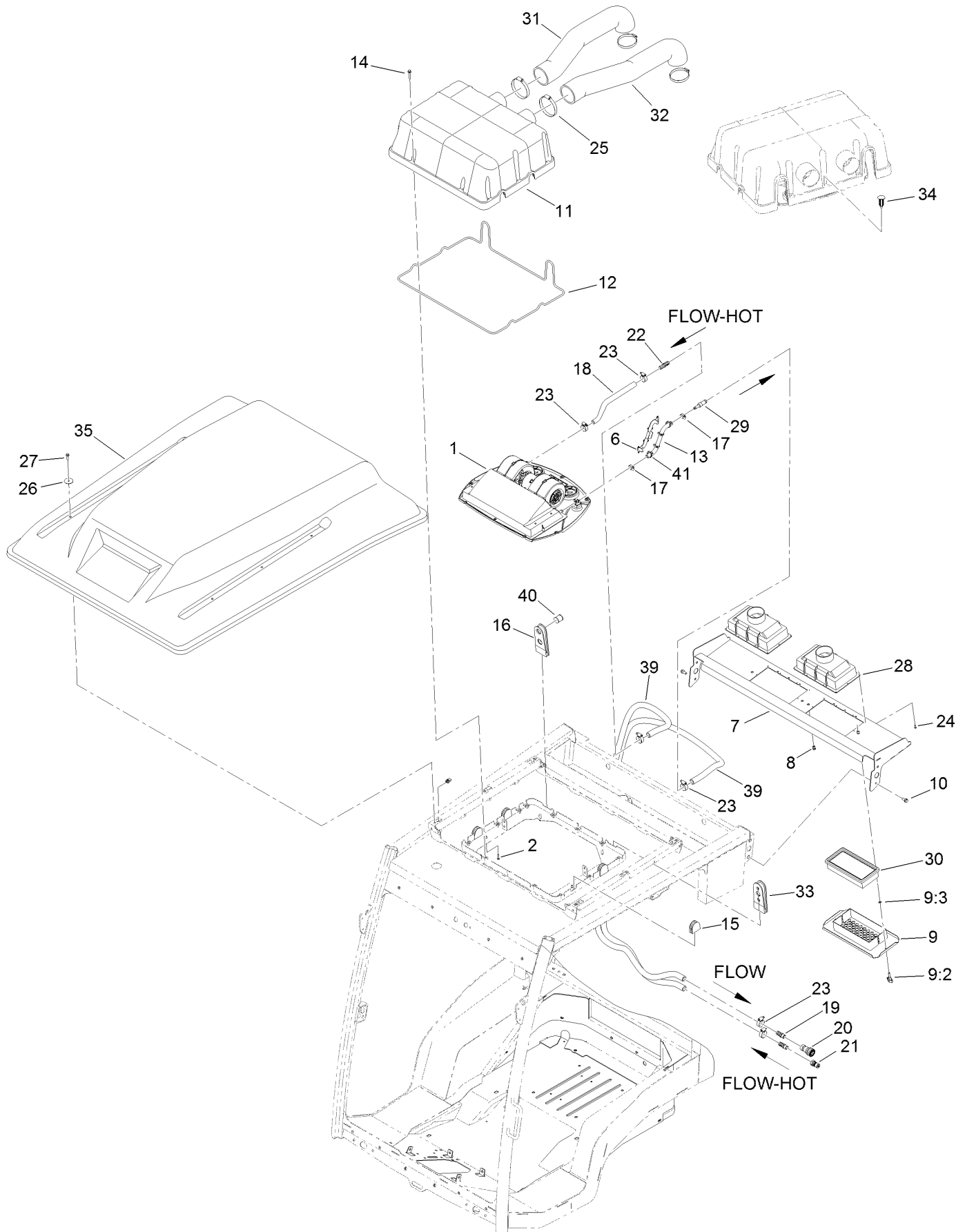
Window Wiper Hose Assembly



Window Wiper Hose Assembly (continued)

<i>Ref.</i>	<i>Part Number</i>	<i>Qty.</i>	<i>Description</i>	<i>Ref.</i>	<i>Part Number</i>	<i>Qty.</i>	<i>Description</i>
4	32180-139	2	Mount-Tie Wrap, Magnetic	9	3234-47	2	Screw-HHF
5	127-9905	1	Fitting-Hose, Barb	11	104-8300	2	Nut-HF, NI
6	139-2175	1	Hose-Washer Fluid	12	139-6252	2	Tube-Vent
7	3290-379	3	Tie-Cable	13	2412-98	4	Clamp-Hose
8	2412-103	2	Clamp	14	139-6253	2	Hose-Fuel

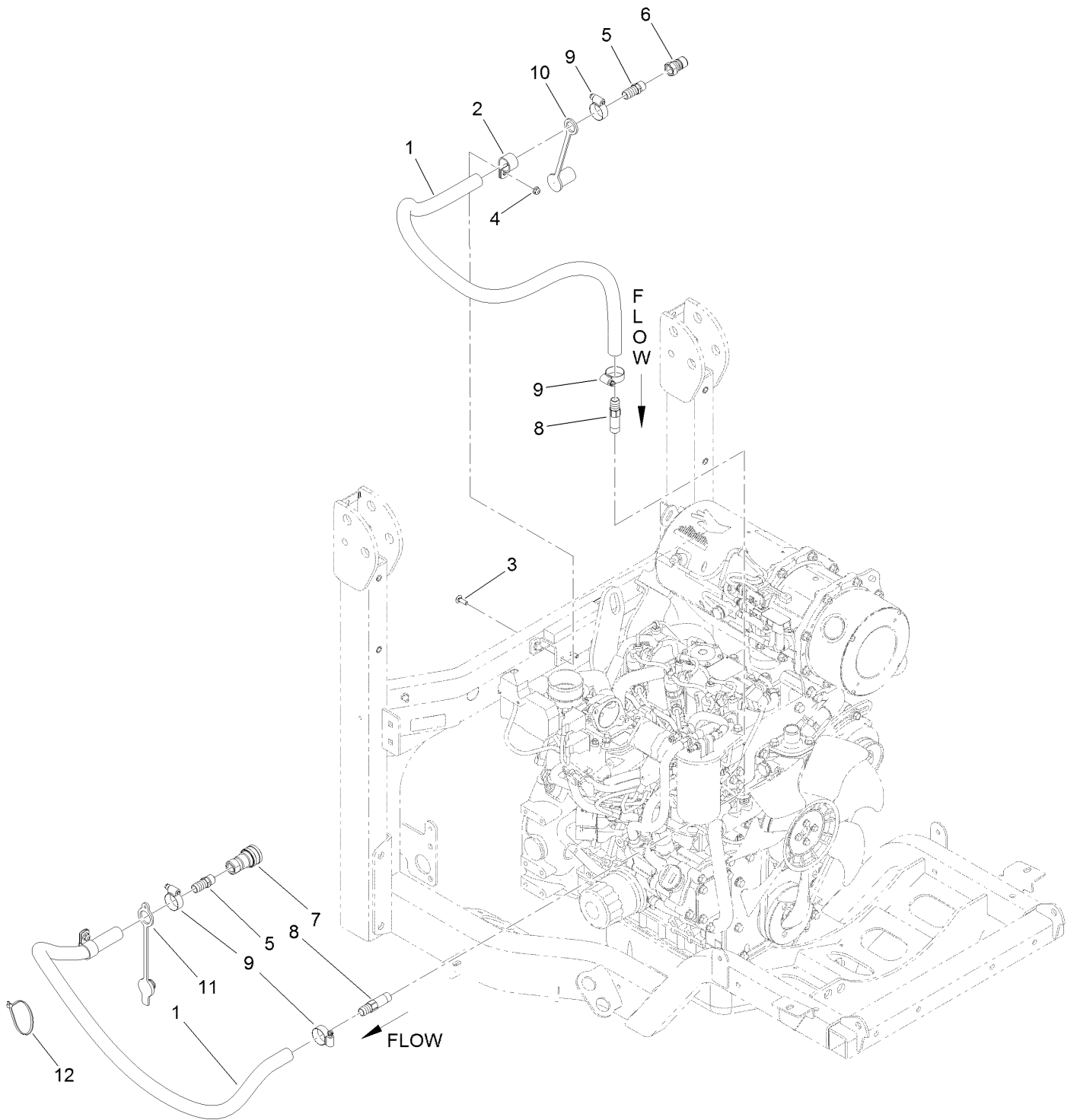
Heater Assembly



Heater Assembly (continued)

<i>Ref.</i>	<i>Part Number</i>	<i>Qty.</i>	<i>Description</i>	<i>Ref.</i>	<i>Part Number</i>	<i>Qty.</i>	<i>Description</i>
1	139-2309	1	Heat ASM	21	125-9680	1	Coupler-Male
2	3250-27	8	Screw-PPH	22	131-3373	1	Fitting-STR
6	140-1637	1	Guide-Hose	23	2412-119	6	Clamp-Hose, Worm Drive
7	139-2057-03	1	Rear-Filter, Wa	24	3290-55	20	Rivet-Pop
8	138-2760	4	Nut-Clinch, Hex	25	2412-110	4	Clamp-Band/Screw
9	137-1397	2	Filter Cover ASM	26	136-7176	6	Washer-Fender
9:2	126-5846	2	Knob-T	27	120-4654	6	Screw-HHF
9:3	32115-15	2	Nut-Push	28	137-1281	2	Box-Intake, Air
10	3234-47	4	Screw-HHF	29	105-9532	1	Fitting-STR Spcl
11	138-2827	1	Cover-A/C	30	121-8457	2	Filter-Air
12	138-2831	1	Seal-Cord, Foam	31	139-1976	1	Hose-Air, RH
13	140-1638	1	Hose-Coolant	32	139-1977	1	Hose-Air, LH
14	131-5927	11	Screw-HHF	33	140-1624	1	Plug-A/C Lines
15	140-6567	4	Plug-Drain Line	34	114-4899	1	Rivet-Push
16	138-2816	1	Plug-Lines, Heat	35	139-1947	1	Roof-Cab
17	2412-36	2	Clamp-Hose	39	139-2171	2	Hose-Heater
18	139-2318	1	Heater-Hose Formed	40	139-1979	2	Plug-Flanged
19	117-9410	2	Fitting-Straight	41	3290-378	5	Tie-Cable
20	125-9679	1	Coupler-Female				

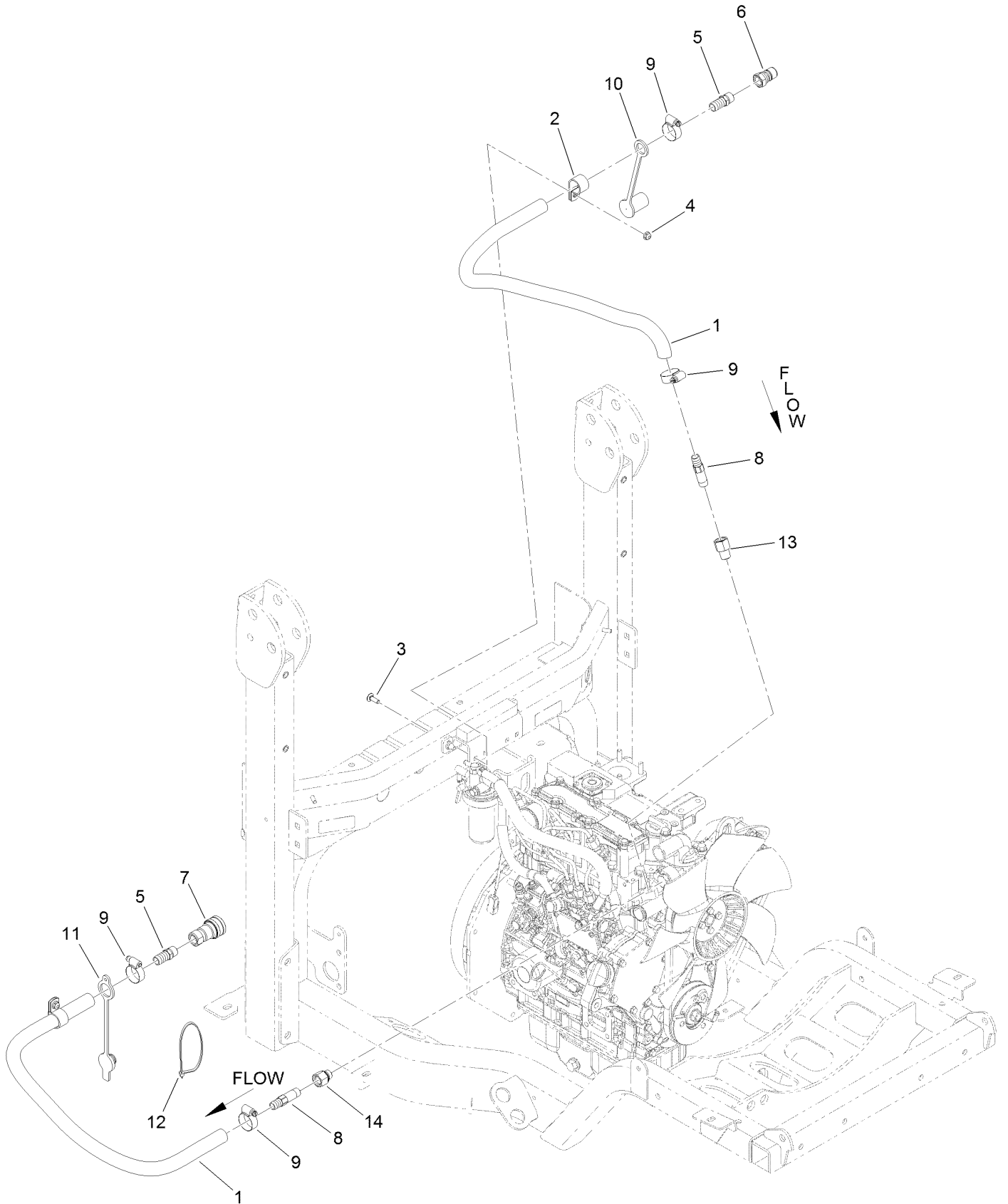
Heater Hose 37HP Assembly



Heater Hose 37HP Assembly (continued)

<i>Ref.</i>	<i>Part Number</i>	<i>Qty.</i>	<i>Description</i>	<i>Ref.</i>	<i>Part Number</i>	<i>Qty.</i>	<i>Description</i>
1	139-2173	2	Hose-Heater	7	125-9679	1	Coupler-Female
2	2412-39	2	Clamp-R	8	139-2236	2	Fitting-STR Spcl
3	1-807512	2	Bolt-CARR	9	2412-119	4	Clamp-Hose, Worm Drive
4	104-7201	2	Nut-HF	10	105-7963	1	Cap-Dust
5	117-9410	2	Fitting-Straight	11	105-7962	1	Plug-Dust
6	125-9680	1	Coupler-Male	12	3290-379	1	Tie-Cable

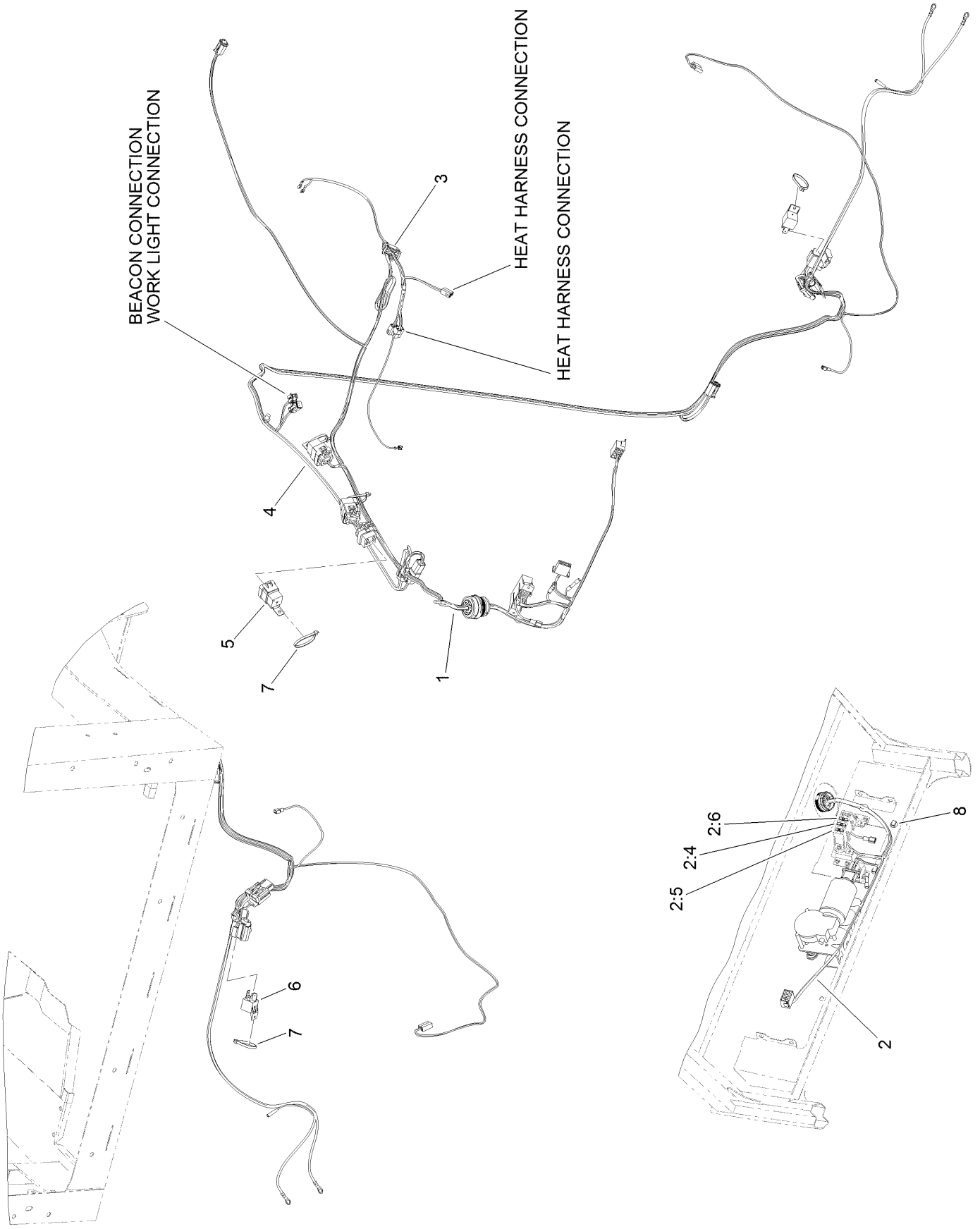
Heater Hose 24HP Assembly



Heater Hose 24HP Assembly (continued)

<i>Ref.</i>	<i>Part Number</i>	<i>Qty.</i>	<i>Description</i>	<i>Ref.</i>	<i>Part Number</i>	<i>Qty.</i>	<i>Description</i>
1	139-2173	2	Hose-Heater	8	139-2236	2	Fitting-STR Spcl
2	2412-39	2	Clamp-R	9	2412-119	4	Clamp-Hose, Worm Drive
3	1-807512	2	Bolt-CARR	10	105-7963	1	Cap-Dust
4	104-7201	2	Nut-HF	11	105-7962	1	Plug-Dust
5	117-9410	2	Fitting-Straight	12	3290-379	1	Tie-Cable
6	125-9680	1	Coupler-Male	13	139-2233	1	Adaptor-STR
7	125-9679	1	Coupler-Female	14	139-2218	1	Adaptor-STR

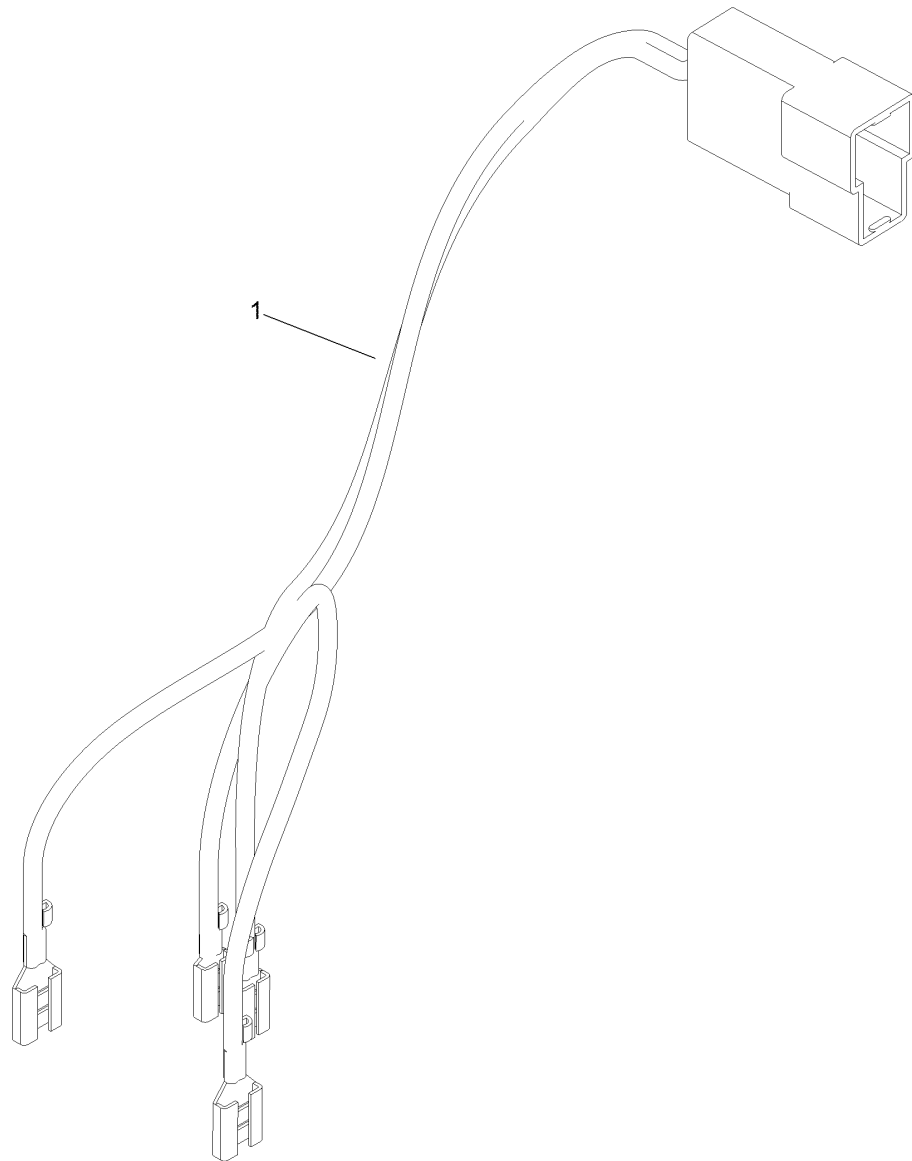
Electrical Component Assembly



Electrical Component Assembly (continued)

<i>Ref.</i>	<i>Part Number</i>	<i>Qty.</i>	<i>Description</i>	<i>Ref.</i>	<i>Part Number</i>	<i>Qty.</i>	<i>Description</i>
1	122-1245	1	Harness-Wire, A/C Roof	4	122-1435	1	Harness-Wire, Cab Power
2	122-1660	1	Harness-Wire, A/C Panel	5	99-7430	3	Relay-Mini
2:4	109101	1	Fuse-Blade, 20 Amp	6	99-7435	1	Relay
2:5	109102	1	Fuse-Blade, 25 Amp	7	3290-378	6	Tie-Cable
2:6	99-6124	1	Fuse-40 Amp	8	32180-030	2	Clip-Tie
3	122-1678	1	Harness-Wire, Adapter				

Dome Light Wire Harness Assembly



Dome Light Wire Harness Assembly (continued)

<i>Ref.</i>	<i>Part Number</i>	<i>Qty.</i>	<i>Description</i>
1	122-1801	1	Harness-Wire, Dome Light



Count on it.