



**Count on it.**

**Parts Catalog**

**Greensmaster® Flex™ 1018  
Traction Unit**

Model No. 04850—Serial No. 40000000 and Up



# Ordering Replacement Parts

To order replacement parts, please supply the part number, the quantity, and the description of each part desired.

## Understanding Reference Numbers

Each identified part in an illustration has a reference number. The reference number for a part also appears in the parts list, along with other information about the part.

This catalog uses two special reference number formats, one to indicate parts in a service assembly and another to indicate the quantity of a given part in an illustration.

## Service Assembly Reference Numbers

Parts in service assemblies have reference numbers in the form a:b. The a represents the reference number of the entire service assembly and the b represents a sequential number unique to each part within the service assembly.

For example, a wheel assembly might be identified by reference number 6, the tire by 6:1, the valve by 6:2, and the wheel by 6:3. When you order the assembly identified by reference number 6, you receive all parts identified by reference numbers 6:1, 6:2, and 6:3. However, you may also order any part individually. Reference numbers of this type appear in illustration and in parts lists.

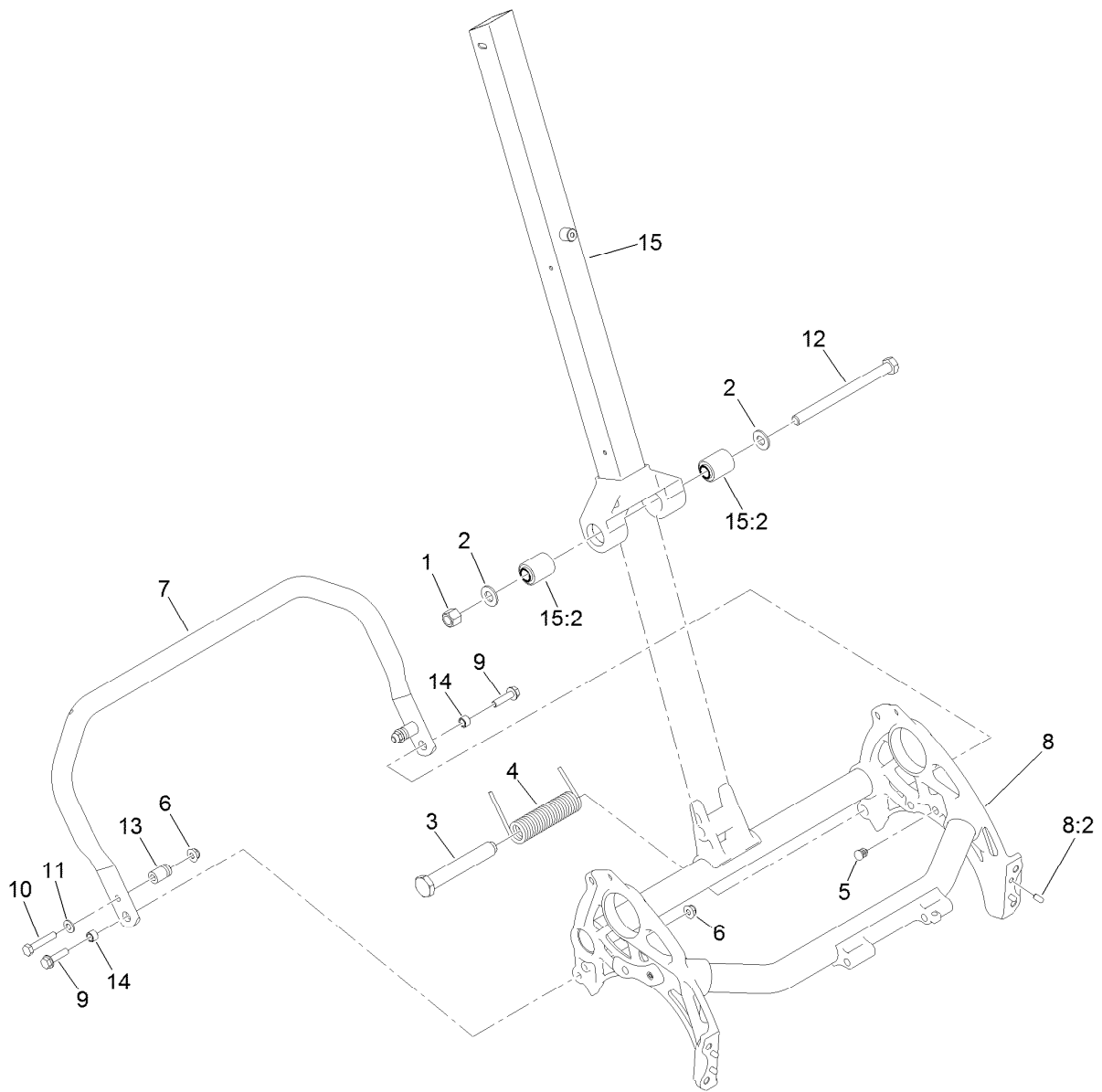
## Reference Numbers Indicating Quantity

In an illustration, if a reference number indicates more than one part, the reference number has the form nX y. The n represents the quantity of the part, the X is the multiplication symbol, and the y represents the reference number.

For example, in an illustration, the reference number 2X 37 means that two of the parts identified by reference number 37 are indicated.

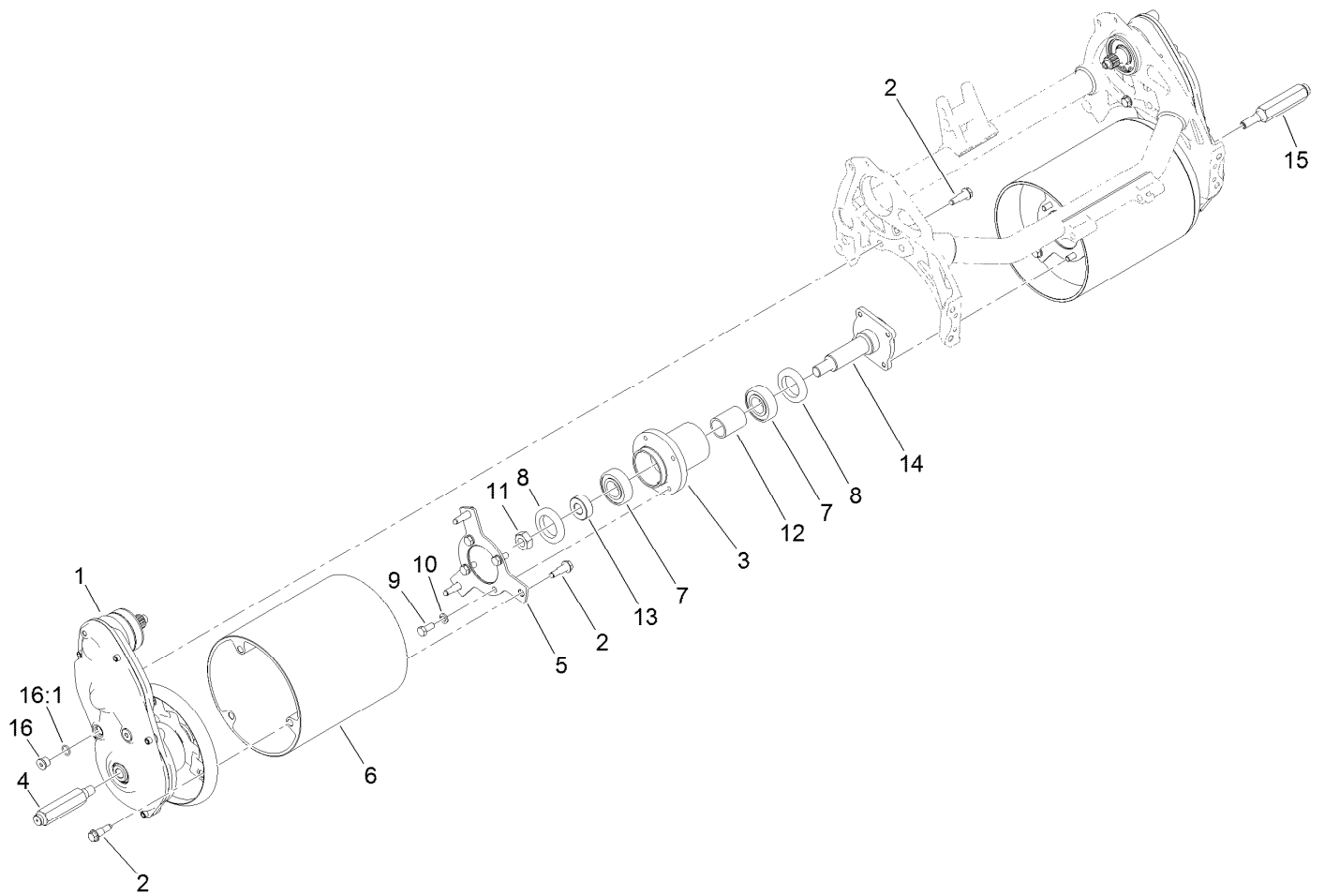
# Contents

Frame and Handle Mount Assembly .....	4
Drum Drive Assembly .....	5
Drum Drive Gearbox Assembly No. 132-4566 .....	6
Transmission Assembly .....	7
Transmission Gearbox Assembly No. 130-6820 Transmission Case Assembly .....	8
Transmission Gearbox Assembly No. 130-6820 Reel Drive Assembly .....	9
Transmission Gearbox Assembly No. 130-6820 Traction Drive Assembly .....	10
Differential Assembly No. 132-4555 .....	11
Engine Assembly .....	12
Engine Assembly No. 138-2142 .....	13
Frame Assembly.....	14
Grass Basket Assembly No. 121-4710.....	15
Basket Assembly No. 130-6750 .....	16
Reel Controls and Covers Assembly.....	17
Upper Handle Assembly .....	18
Traction Bail Assembly .....	19
CE Decal .....	20
Attachments and Accessories .....	21



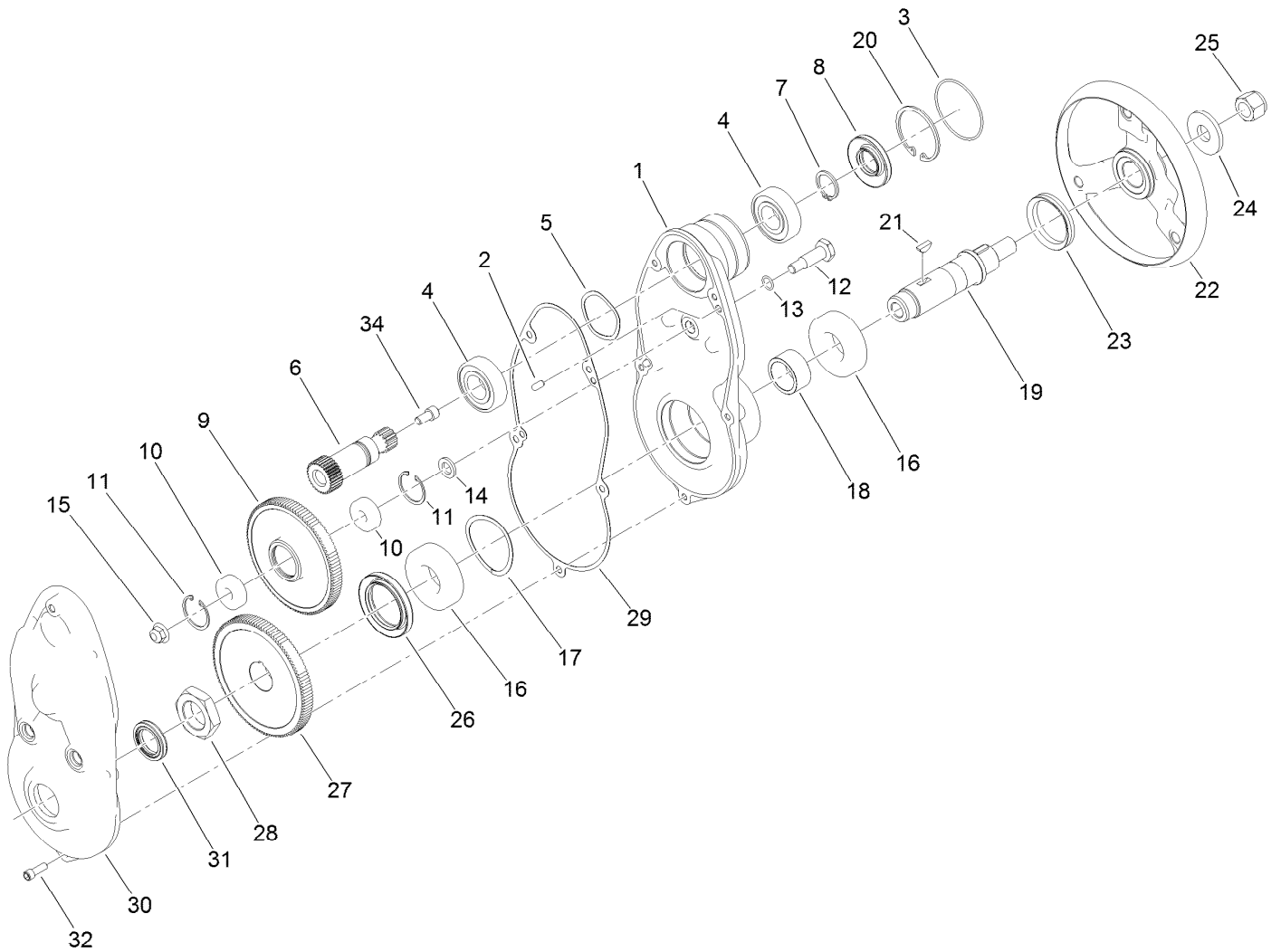
## Frame and Handle Mount Assembly

<i>Ref.</i>	<i>Part Number</i>	<i>Qty.</i>	<i>Description</i>	<i>Ref.</i>	<i>Part Number</i>	<i>Qty.</i>	<i>Description</i>
1	3296-23	1	Nut-Lock, NI	9	112-6913	2	Screw-HHF
2	3256-26	2	Washer-Flat	10	322-9	2	Screw-HH
3	138-1510	1	Pin-Mount, Spring	11	3256-23	2	Washer-Plain
4	138-1459	1	Spring-Torsion, LH	12	325-33	1	Screw-HH
5	139-4326	2	Plug-Plastic	13	65-7900	2	Retainer-Spring
6	119-4041	3	Nut-HF	14	65-7910	2	Spacer
7	138-1576-03	1	Kickstand-18 Inch	15	137-0292	1	Lower Handle ASM
8	138-1646	1	18 Inch Frame ASM	15:2	138-1469	2	Bushing-Straight
8:2	95-0715	4	Pin-Dowel				



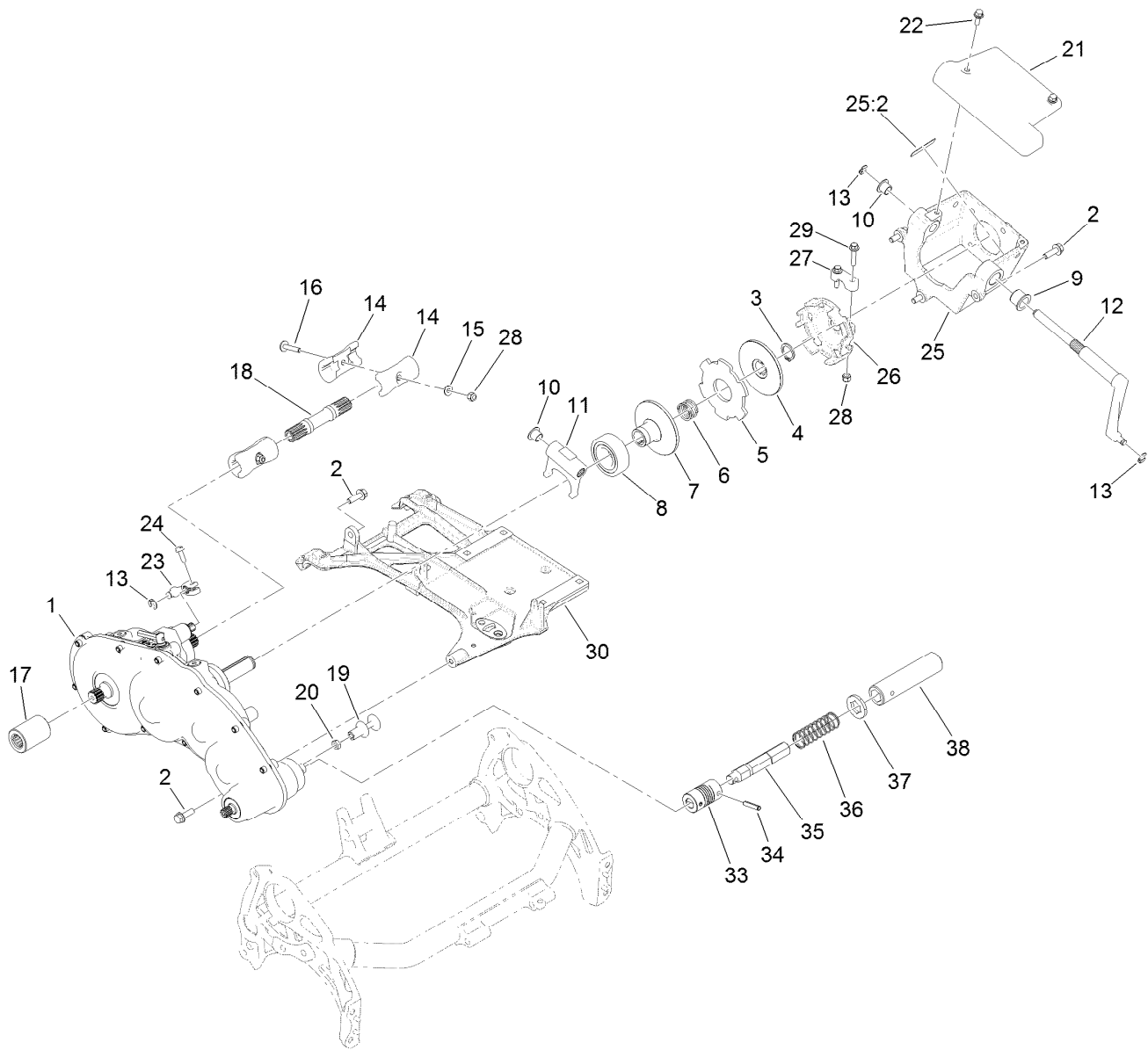
## Drum Drive Assembly

<i>Ref.</i>	<i>Part Number</i>	<i>Qty.</i>	<i>Description</i>	<i>Ref.</i>	<i>Part Number</i>	<i>Qty.</i>	<i>Description</i>
1	132-4566	2	Drum Drive Gear Box ASM	10	3253-4	8	Washer-Lock
2	132-4607	14	Bolt-Shoulder, Flange	11	3296-33	1	Nut-Lock, NI
3	132-6971	1	Hub-Drum	12	65-6520	1	Spacer
4	132-4605	1	Shaft-Hex, RH	13	65-6530	1	Spacer
5	133-9240-0P	2	Plate-Drum, Hub	14	94-5850	1	Spindle-Drum
6	139-4364	2	Drum-Traction, Flex	15	132-4606	1	Shaft-Hex, LH
7	251-82	2	Bearing-Ball	16	353-989	4	Plug-Hex, Hollow
8	253-159	2	Seal	16:1	237-42	1	O-Ring
9	322-3	8	Screw-HH				



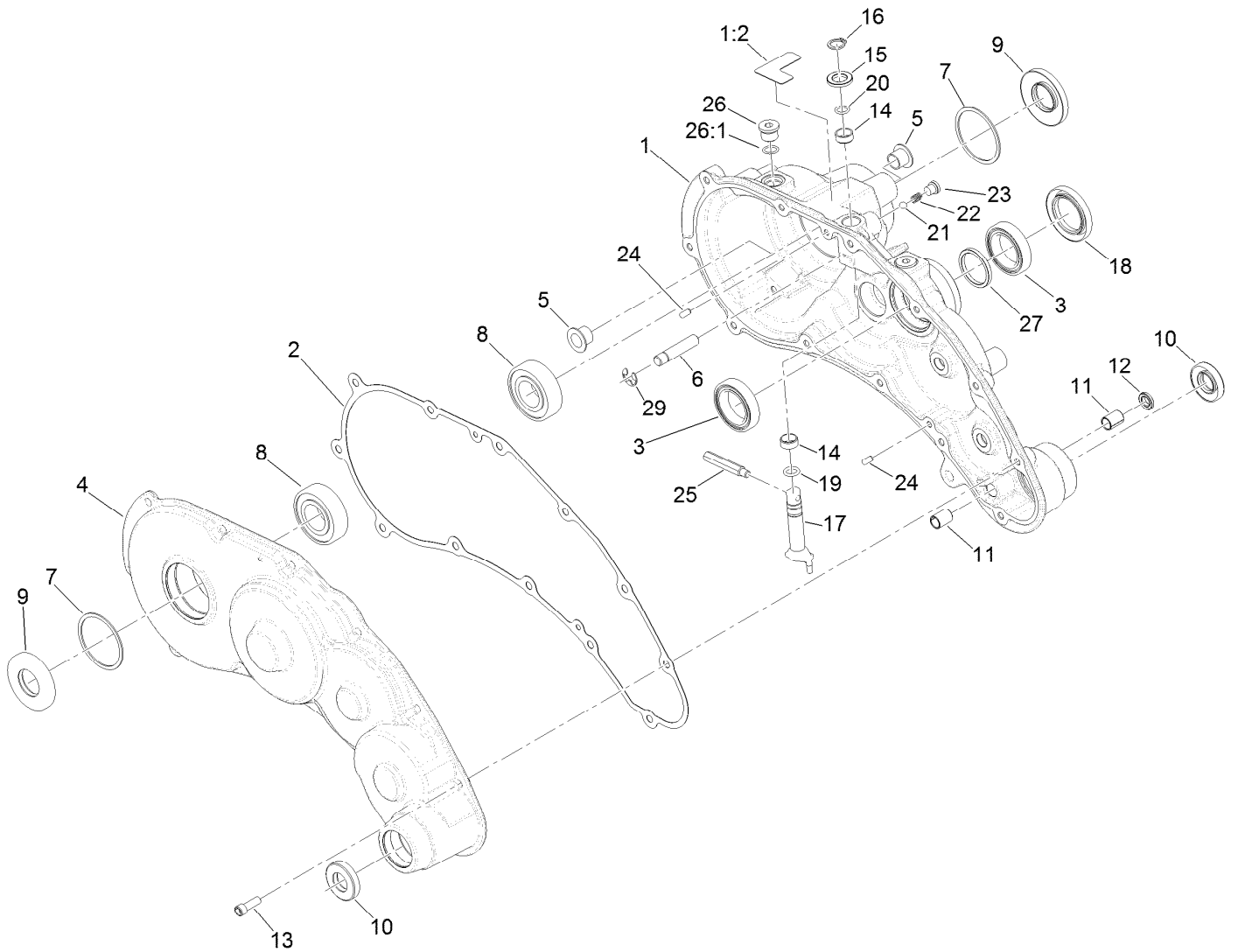
## Drum Drive Gearbox Assembly No. 132-4566

Ref.	Part Number	Qty.	Description	Ref.	Part Number	Qty.	Description
1	137-0282	1	Housing-Drive, Drum	17	115-5258	1	Spring-Wire, Flat
2	133-4591	2	Pin-Dowel	18	132-4568	1	Spacer
3	133-9082	1	O-Ring	19	133-4562	1	Shaft-Drum, Drive
4	251-82	2	Bearing-Ball	20	138-1480	1	Ring-Retaining, Int (52Mm)
5	3290-485	1	Washer-Wave	21	138-1504	2	Key-Woodruff, 5Mm
6	132-4565	1	Gear-Spur, 30T	22	133-9244	1	Hub-Drum, Outer
7	138-1507	1	Ring-Retaining, EXT (25Mm)	23	253-161	1	Seal-V-Ring
8	138-1491	1	Seal-Oil	24	104-9216	1	Washer-Hardened
9	137-0274	1	Gear-Spur, 108T	25	126-3841	1	Nut-Hex, NI
10	49-2410	2	Bearing-Ball	26	138-1490	1	Seal-Oil
11	138-1506	2	Ring-Retaining, Int (32Mm)	27	137-0275	1	Gear-Spur, 114T
12	133-4558	1	Pin-Bearing, Short	28	133-9078	1	Nut-Hex
13	80-8460	1	O-Ring	29	132-4569	1	Gasket-Drive, Drum
14	133-4553	1	Spacer-Bearing	30	137-0284	1	Cover-Drive, Drum
15	119-4042	1	Nut-HF, NI	31	133-4559	1	Seal-Oil
16	251-312	2	Bearing-Ball	32	3274-8	5	Screw-HSH
				34	3274-12	1	Screw-HSH



## Transmission Assembly

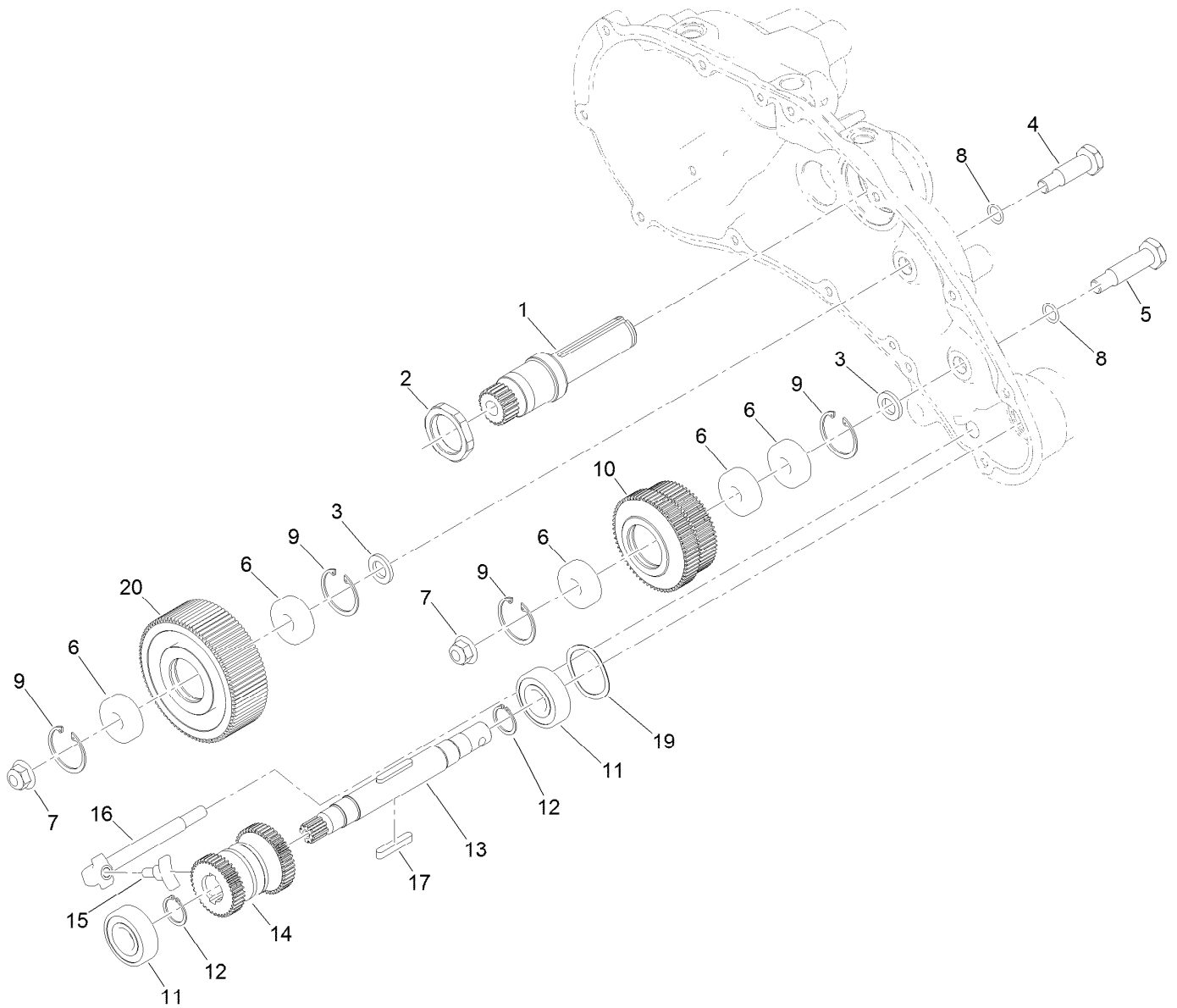
Ref.	Part Number	Qty.	Description	Ref.	Part Number	Qty.	Description
1	130-6820	1	Transmission Gear Box ASM	19	133-9207	1	Adapter-Slider
2	115-5142	5	Screw-HHF	20	120-9638	1	Nut-Jam
3	32151-33	1	Ring-Retaining, EXT	21	138-5545	1	Cover-Clutch
4	133-9095	1	Disc-Clutch	22	120-9678	2	Screw-HHF
5	133-9094	1	Plate-Friction	23	133-9117	1	Lever-Brake, Cable
6	133-9123	1	Spring-Compression, Clutch	24	131-6150	1	Screw-HWHTF
7	138-1508	1	Disc-Clutch, Slider	25	139-4301	1	Bell Housing ASM
8	138-1505	1	Bearing-Sealed, Self Aligning	25:2	120-9570	1	Decal-Warning
9	132-4089	1	Bushing	26	138-3542	1	Hub-Clutch, External
10	125-5239	2	Bushing-Flange	27	138-5522	1	Clamp-Hub, Clutch
11	138-3548	1	Fork-Clutch	28	3296-42	4	Nut-Lock, NI
12	138-3549	1	Shaft-Fork	29	127-8639	2	Screw-HHF
13	32151-47	3	Ring-Retaining	30	138-5517	1	Base-Engine
14	133-9100	4	Coupler-Splined, 4 Tooth	33	133-2341	1	Coupling-Helical
15	119-8952	2	Washer	34	125-3542	2	Pin-Spring
16	126-8232	2	Screw-Truss	35	139-7399	1	Shaft-Coupler
17	138-1615	1	Tube-Drive	36	140-3407	1	Spring-Compression, Coupler
18	139-4327	1	Shaft-Drive, 18 Inch	37	139-7391	1	Collar-Lock
				38	110-2390	1	Tube-Hex



## Transmission Gearbox Assembly No. 130-6820 Transmission Case Assembly

<i>Ref.</i>	<i>Part Number</i>	<i>Qty.</i>	<i>Description</i>	<i>Ref.</i>	<i>Part Number</i>	<i>Qty.</i>	<i>Description</i>
1	139-4306	1	Transmission Housing ASM	15	108-5059	1	Spacer-Bushing
1:2	138-1644	1	Decal-Release, Traction	16	32151-61	1	Ring-Retaining
2	132-4551	1	Gasket-Transmission	17	130-6816	1	Shaft-Selector, Traction
3	121-9281	2	Bearing-Ball	18	116-5647	1	Seal-Grease
4	138-1603	1	Transmission Cover ASM	19	131-1879	1	O-Ring Seal
5	125-5239	2	Bushing-Flange	20	237-22	1	O-Ring
6	133-9122	1	Pin-Mount, Brake	21	105-2442	1	Ball-Detent
7	32151-92	2	Ring-Retaining	22	105-2443	1	Spring-Detent
8	251-82	2	Bearing-Ball	23	131-1825	1	Plug-ORB
9	133-9075	2	Seal-Oil	24	121-9249	2	Pin-Dowel
10	130-9463	2	Seal-Oil	25	133-9149	1	Pin-Groomer
11	131-3038	2	Bushing-Sleeve	26	353-989	2	Plug-Hex, Hollow
12	131-3126	1	Seal-Oil	26:1	237-42	1	O-Ring
13	3274-8	12	Screw-HSH	27	138-1496	1	Spacer
14	121-4738	2	Bushing-Straight	29	105-7004	1	E-Ring

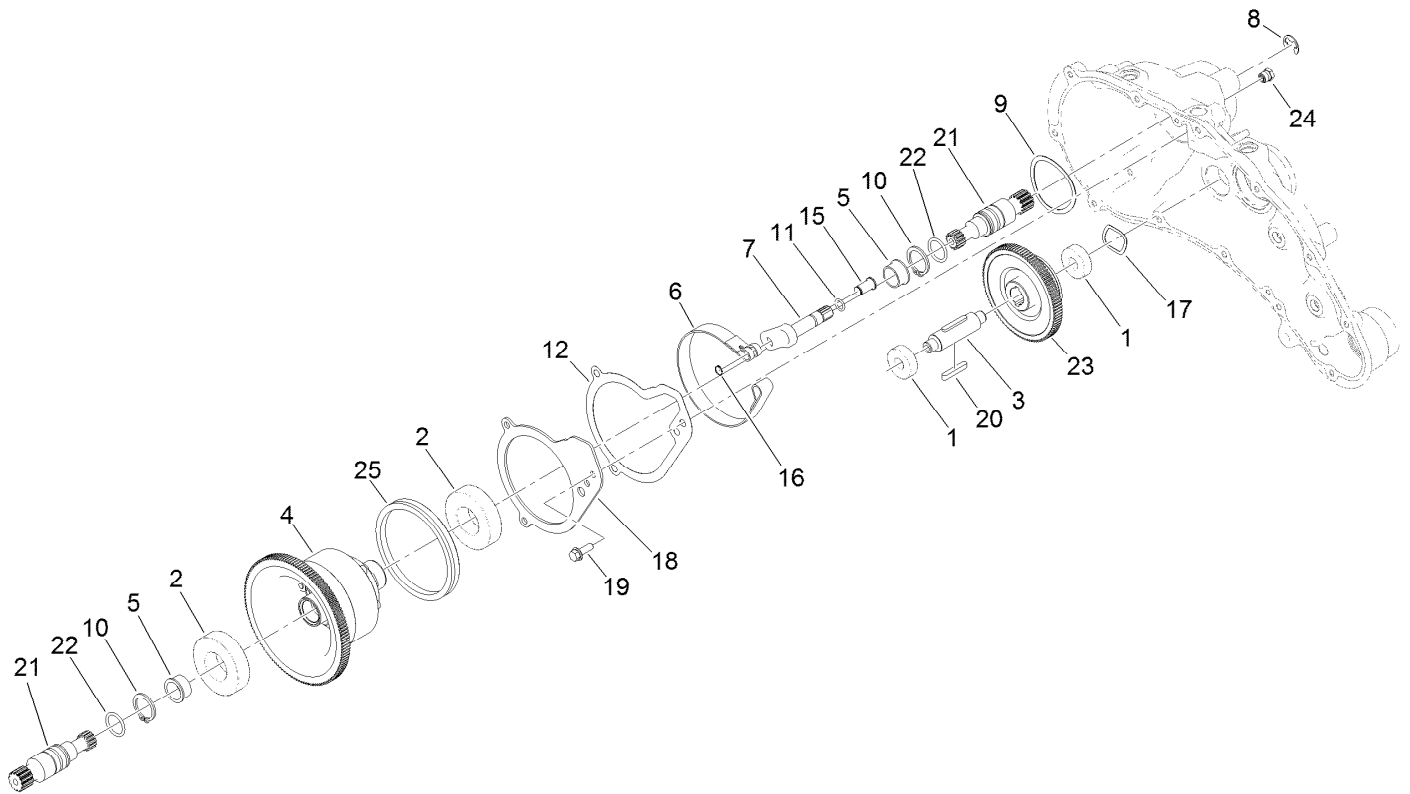




## Transmission Gearbox Assembly No. 130-6820 Reel Drive Assembly

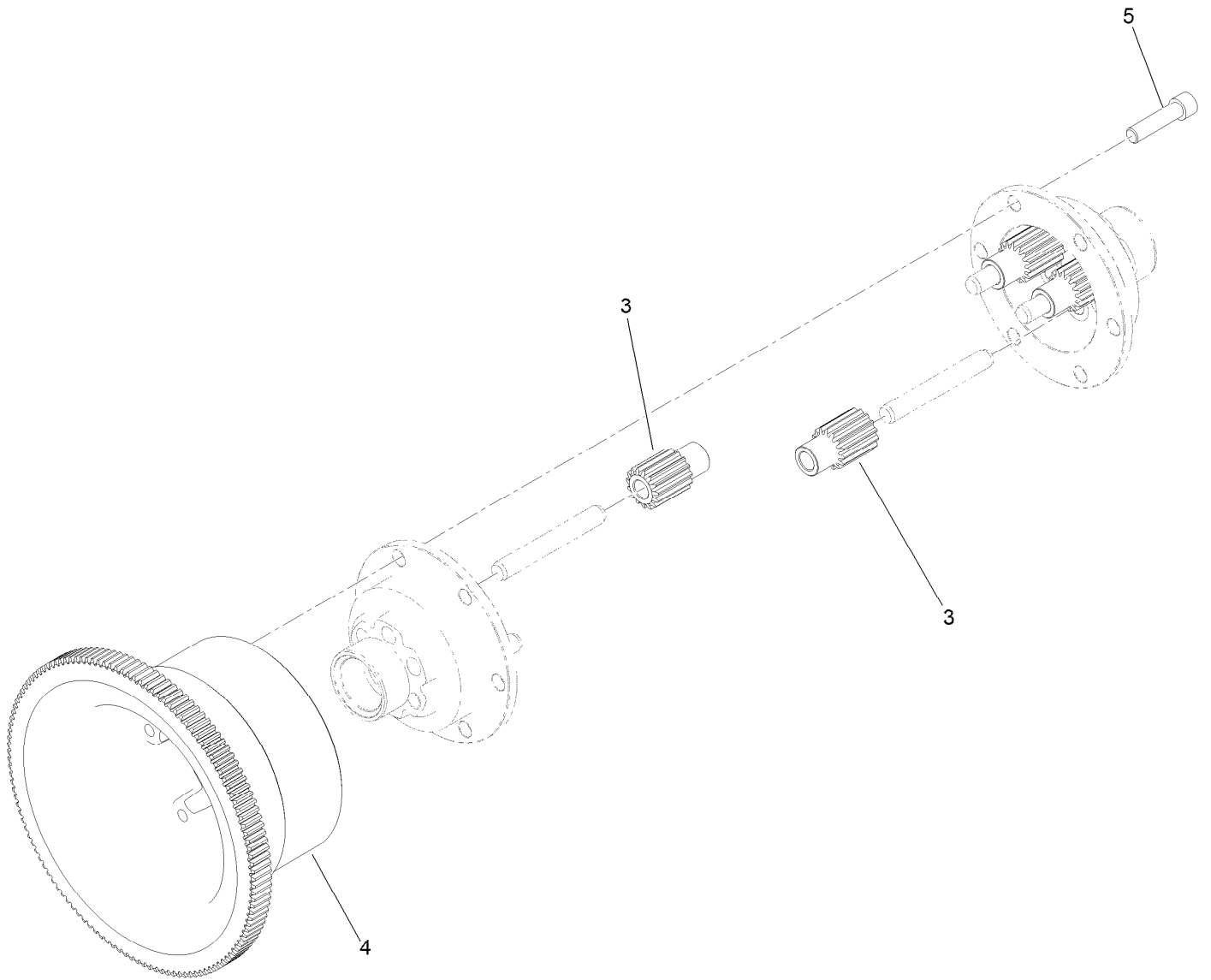
<i>Ref.</i>	<i>Part Number</i>	<i>Qty.</i>	<i>Description</i>
1	138-1509	1	Shaft-Input, 22T
2	138-1495	1	Nut-Lock, Thin
3	133-4553	2	Spacer-Bearing
4	133-4558	1	Pin-Bearing, Short
5	133-4557	1	Pin-Bearing, Long
6	49-2410	5	Bearing-Ball
7	104-8301	2	Nut-HF, NI
8	80-8460	2	O-Ring
9	138-1506	4	Ring-Retaining, Int (32Mm)
10	137-0272	1	Gear-Spur, 60T/65T

<i>Ref.</i>	<i>Part Number</i>	<i>Qty.</i>	<i>Description</i>
11	38-7820	2	Bearing-Ball
12	138-1629	2	Ring-Retaining, EXT (17Mm)
13	139-4359	1	Shaft-Drive, Reel
14	130-6834	1	Gear-Spur, Slider
15	133-9120	1	Shoe-Clutch, Reel
16	133-9121	1	Actuator-Clutch, Reel
17	103-2739	2	Key
19	131-3170	1	Spring-Wave
20	137-0273	1	Gear-Spur, 85T



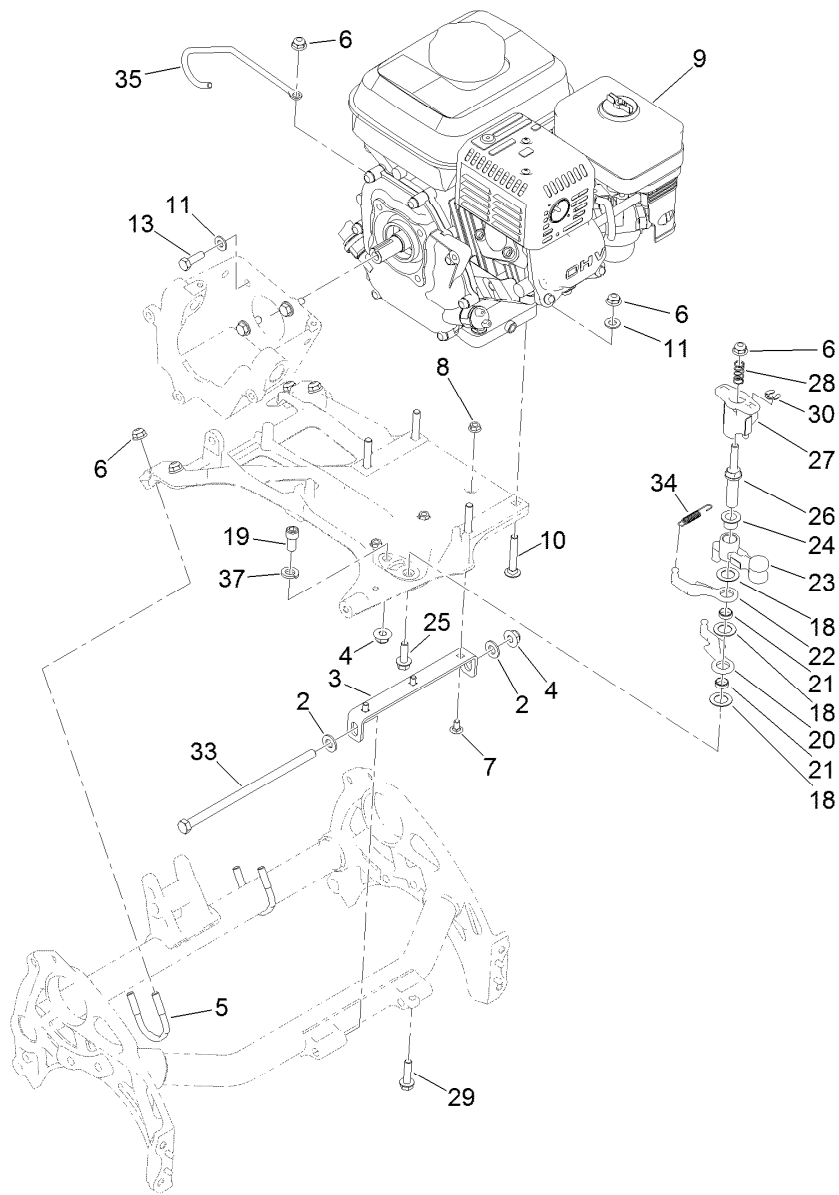
## Transmission Gearbox Assembly No. 130-6820 Traction Drive Assembly

<i>Ref.</i>	<i>Part Number</i>	<i>Qty.</i>	<i>Description</i>	<i>Ref.</i>	<i>Part Number</i>	<i>Qty.</i>	<i>Description</i>
1	49-2410	2	Bearing-Ball	15	120-9687	1	Pin-Clevis, Brake
2	251-312	2	Bearing-Ball	16	32120-46	1	Ring-Retaining
3	137-0236	1	Shaft-Slider, Neutral	17	112-5163	1	Washer-Wave
4	132-4555	1	Differential ASM	18	137-0238	1	Plate-Retainer
5	256-252	2	Bearing-Flange	19	119-1138	4	Screw-HWH
6	130-6824	1	Band-Brake	20	103-2739	2	Key
7	132-4550	1	Lever-Brake	21	130-6841	2	Shaft-Differential
8	32120-47	1	Ring-Retaining, External	22	237-159	2	O-Ring
9	115-5258	1	Spring-Wire, Flat	23	137-0276	1	Gear-Spur, Neutral (93T)
10	32151-36	2	Ring-Retaining	24	133-4589	1	Fitting-Plug
11	237-22	1	O-Ring	25	138-1472	1	V-Ring, Seal
12	138-1631	1	Gasket-Plate, Brake				



## Differential Assembly No. 132-4555

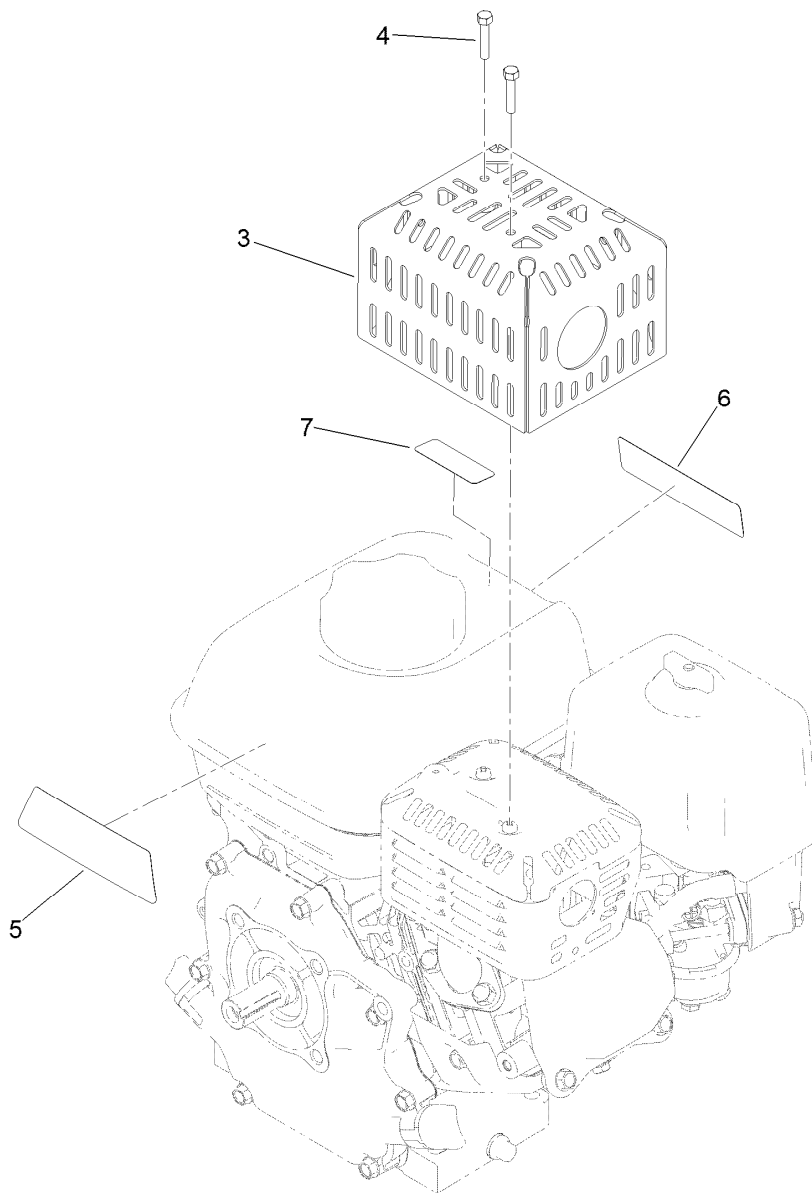
<i>Ref.</i>	<i>Part Number</i>	<i>Qty.</i>	<i>Description</i>
3	130-6840	6	Gear-Spur, Differential
4	137-0294	1	Gear-Differential, 127T
5	3274-26	6	Screw-HSH



## Engine Assembly

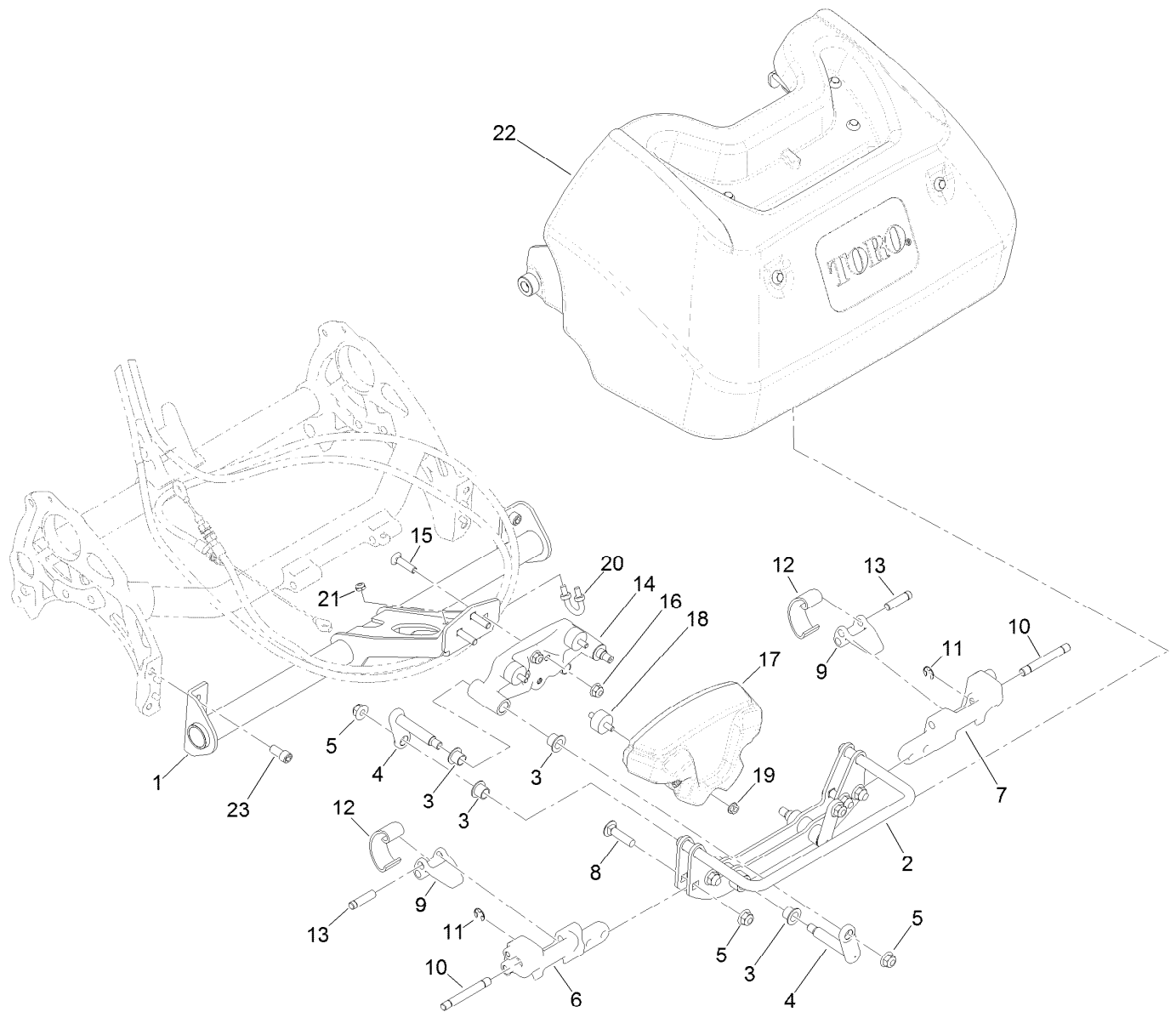
Ref.	Part Number	Qty.	Description	Ref.	Part Number	Qty.	Description
2	3256-24	2	Washer-Flat	21	133-9226	2	Bushing-Straight
3	138-1623-01	1	Bracket-Mount, Engine	22	138-1524	1	Lever-Reel
4	119-4042	2	Nut-HF, NI	23	133-9206	1	Bellcrank-Reel
5	137-0301	2	Clamp-Tube	24	125-5239	1	Bushing-Flange
6	119-4041	9	Nut-HF	25	115-5142	1	Screw-HHF
7	116-5611	3	Bolt-Carriage 1/4-20 X 1/2 Short Neck	26	137-0298	1	Shaft-Selector, Reel
8	32128-10	3	Nut-Lock, HHF	27	137-0299	1	Hub-Selector, Reel
9	138-2142	1	Engine ASM ●	28	117-1031	1	Spring-Compression
10	3230-6	4	Bolt-CARR	29	112-6913	1	Screw-HHF
11	3256-23	8	Washer-Plain	30	32151-47	1	Ring-Retaining
13	131-5919	4	Screw-HH, Patch	33	323-30	1	Screw-HH
18	139-7362	3	Washer-Poly	34	119-4609	1	Spring-Extension
19	131-8573	1	Screw-HSH	35	139-4309	1	Guide-Cable
20	138-1523	1	Reel Lever	37	3253-21	1	Washer-Lock

● Obtain parts from [www.honda-engines.com](http://www.honda-engines.com)



## Engine Assembly No. 138-2142

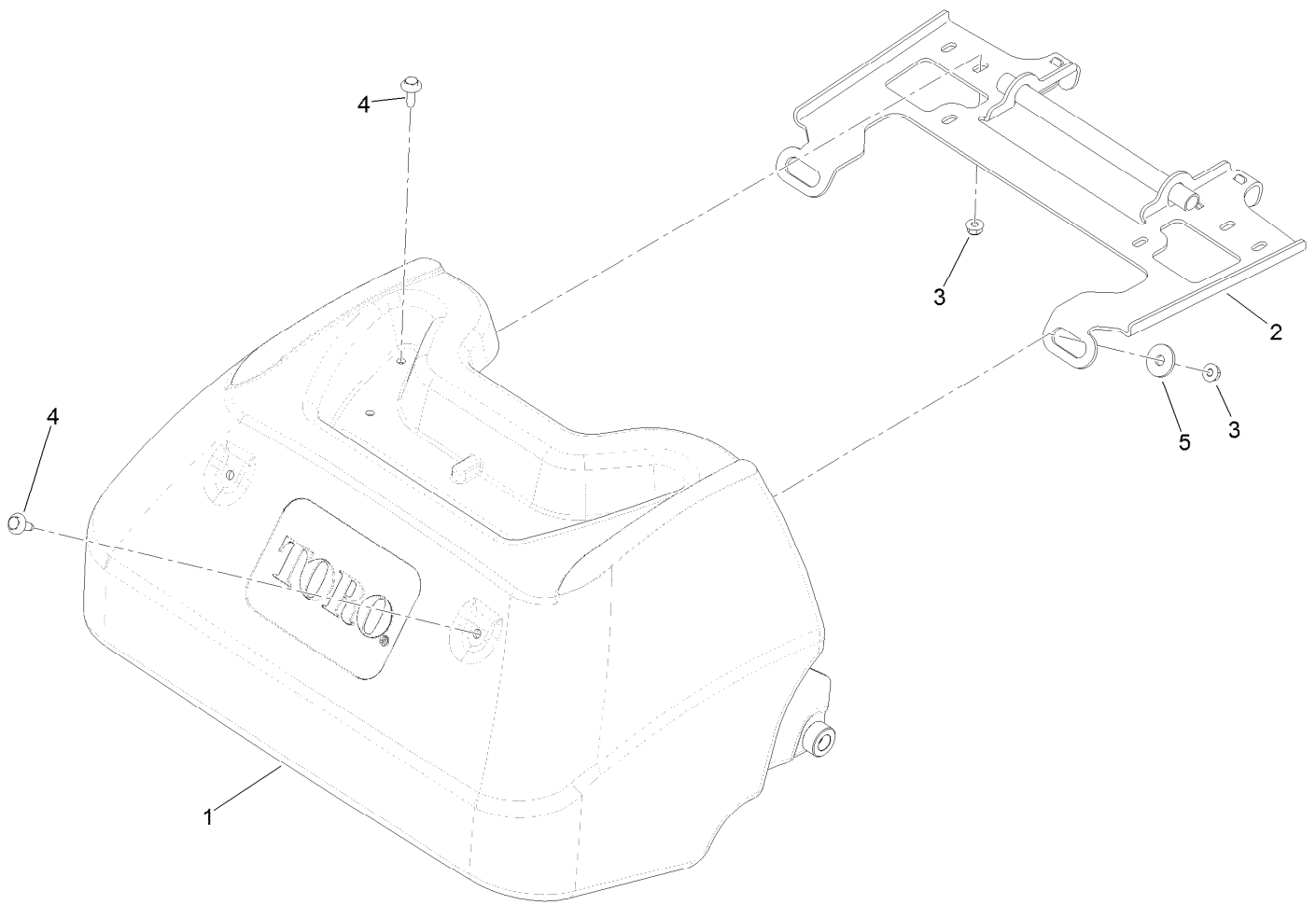
<i>Ref.</i>	<i>Part Number</i>	<i>Qty.</i>	<i>Description</i>
3	138-2128-03	1	Guard-Muffer
4	87-5150	2	Screw-HH
5	138-2138	1	Decal-Warning, Engine
6	133-8062	1	Decal-Arrestor, Spark
7	130-8322	1	Decal-Warning, Ethanol



## Frame Assembly

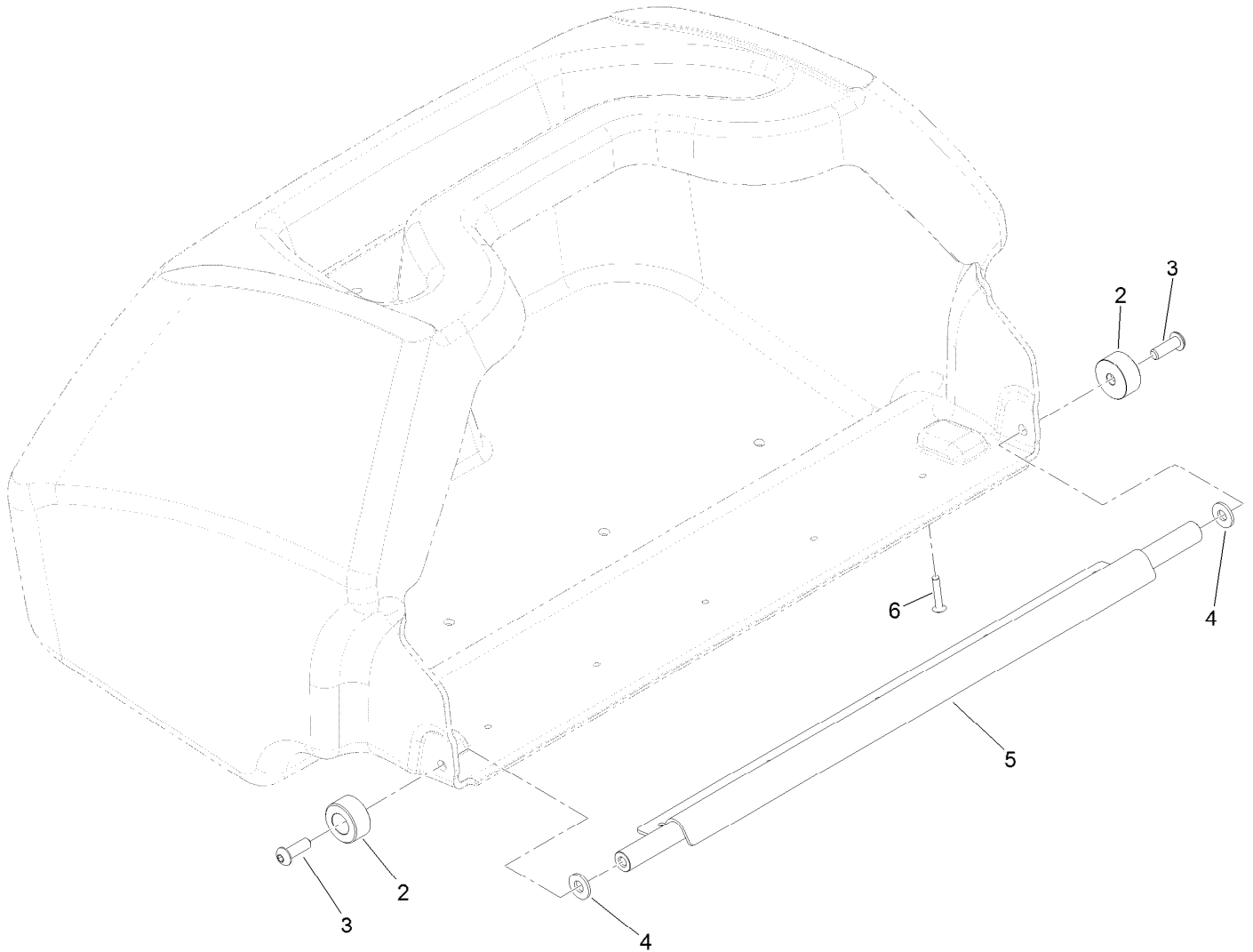
Ref.	Part Number	Qty.	Description
1	139-7394-01	1	Flex Frame ASM, Welded [red]
2	139-7397-01	1	Roll Frame ASM, Welded [red]
3	125-5239	8	Bushing-Flange
4	139-7376	4	Link-Flex
5	104-8301	8	Nut-HF, NI
6	139-7372	1	Hub-End, RH
7	139-7374	1	Hub-End, LH
8	3231-4	4	Screw-CARR
9	114-8047	2	Lever
10	139-7380	2	Pin-Pivot, Latch
11	32120-18	2	E-Ring

Ref.	Part Number	Qty.	Description
12	114-8048	2	Spring
13	114-8049	2	Pin-Pivot
14	139-7439	1	Frame-Link
15	99-6005	3	Bolt-Carriage
16	104-8300	3	Nut-HF, NI
17	140-3358-01	1	Weight-Tmd [red]
18	140-3356	3	Isolator-Tmd
19	32128-14	3	Nut-HF
20	01-170-0040	1	U-Bolt
21	3296-56	2	Nut-Lock, NI
22	121-4710	1	Grass Basket ASM
23	131-8573	4	Screw-HSH



## Grass Basket Assembly No. 121-4710

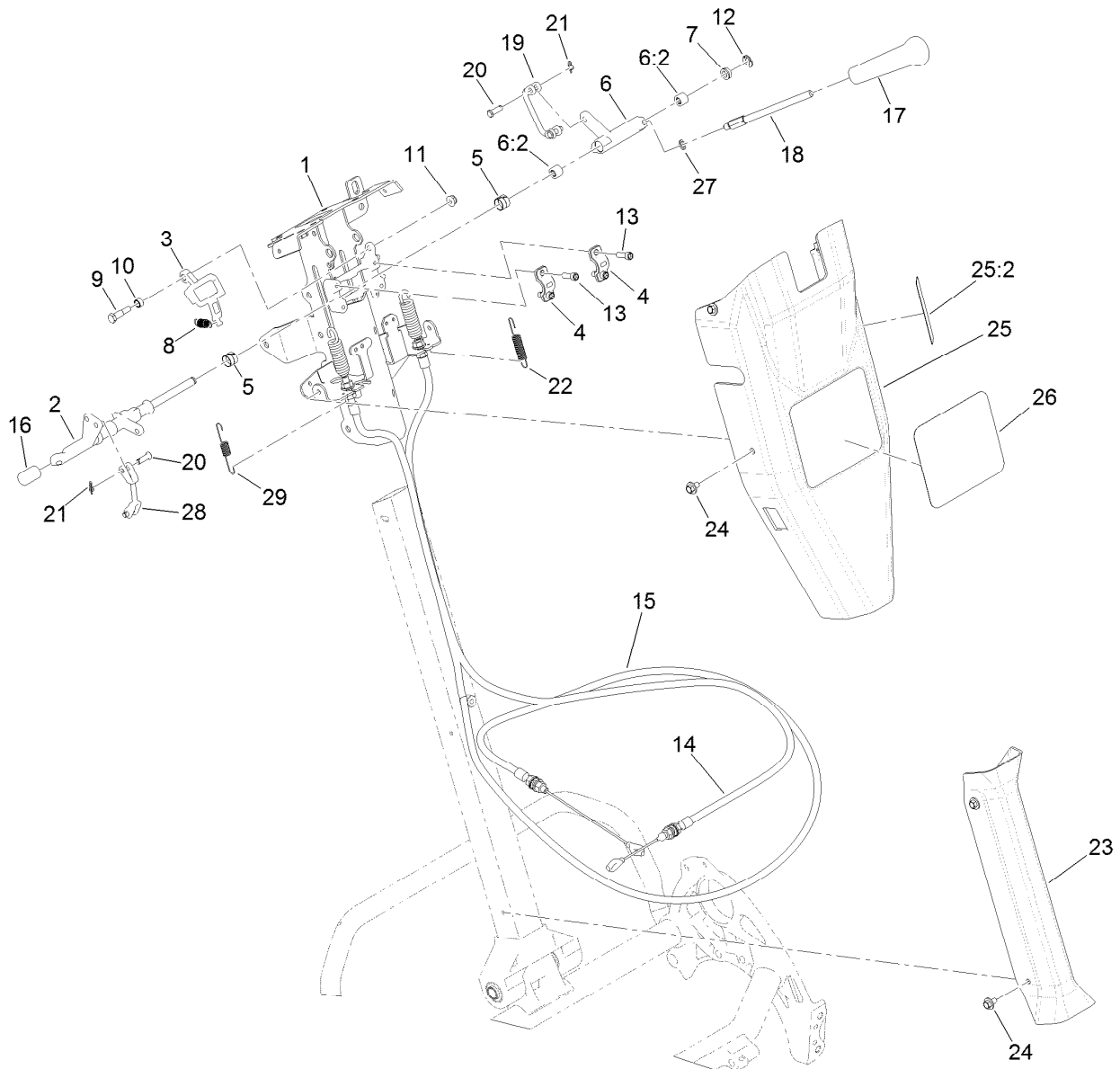
<i>Ref.</i>	<i>Part Number</i>	<i>Qty.</i>	<i>Description</i>
1	130-6750	1	Basket ASM
2	133-8833-03	1	Bracket-Basket
3	119-4040	6	Nut-Flange, NI
4	119-4012	6	Screw-HWHTF
5	1-603716	2	Washer-Friction



## Basket Assembly No. 130-6750

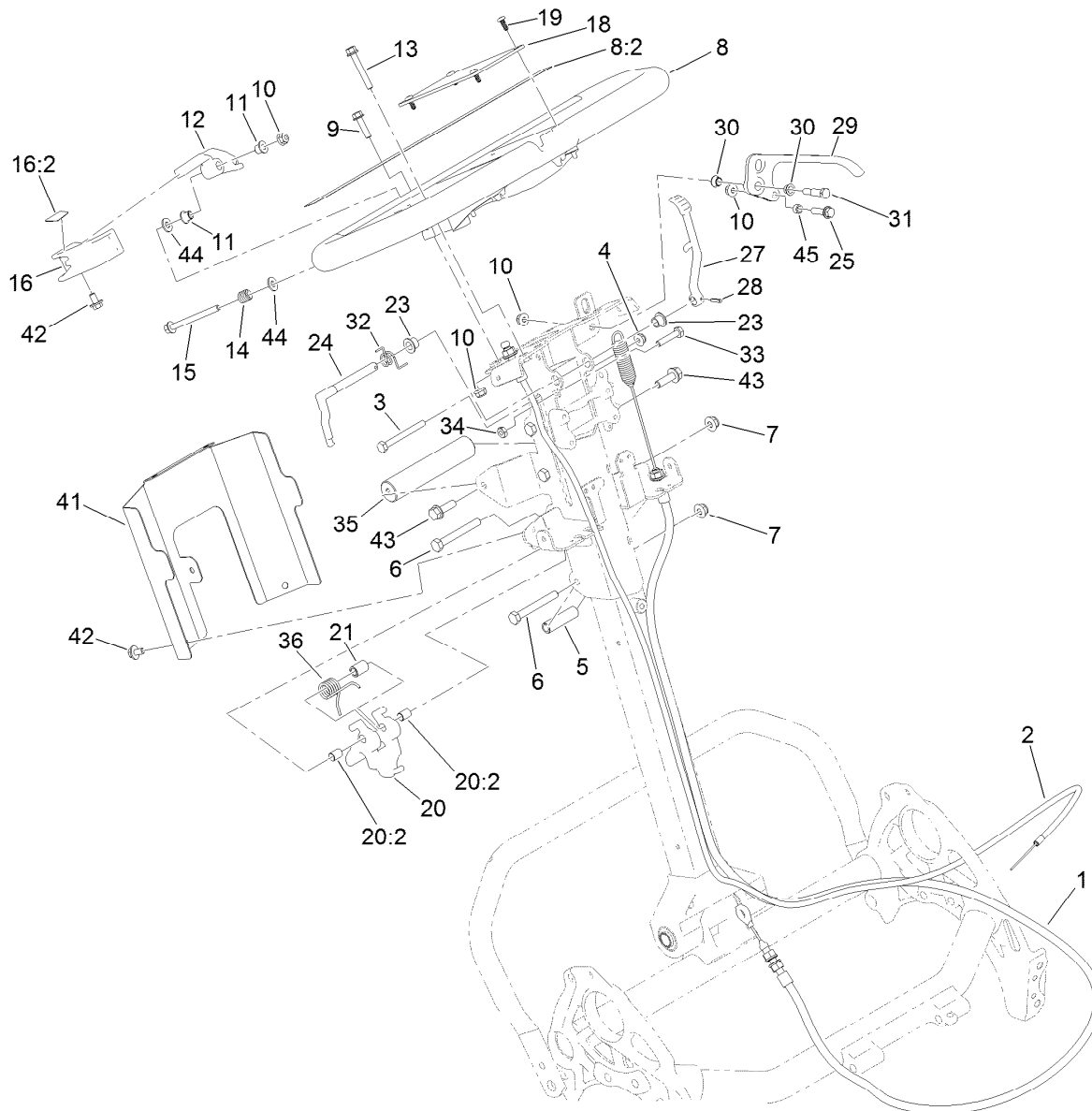
<i>Ref.</i>	<i>Part Number</i>	<i>Qty.</i>	<i>Description</i>
2	121-4730	2	Bumper-Basket
3	3274-69	2	Screw-HSBH
4	120-9679	2	Washer-Flat
5	130-6752	1	Channel
6	3290-382	5	Rivet-Pop





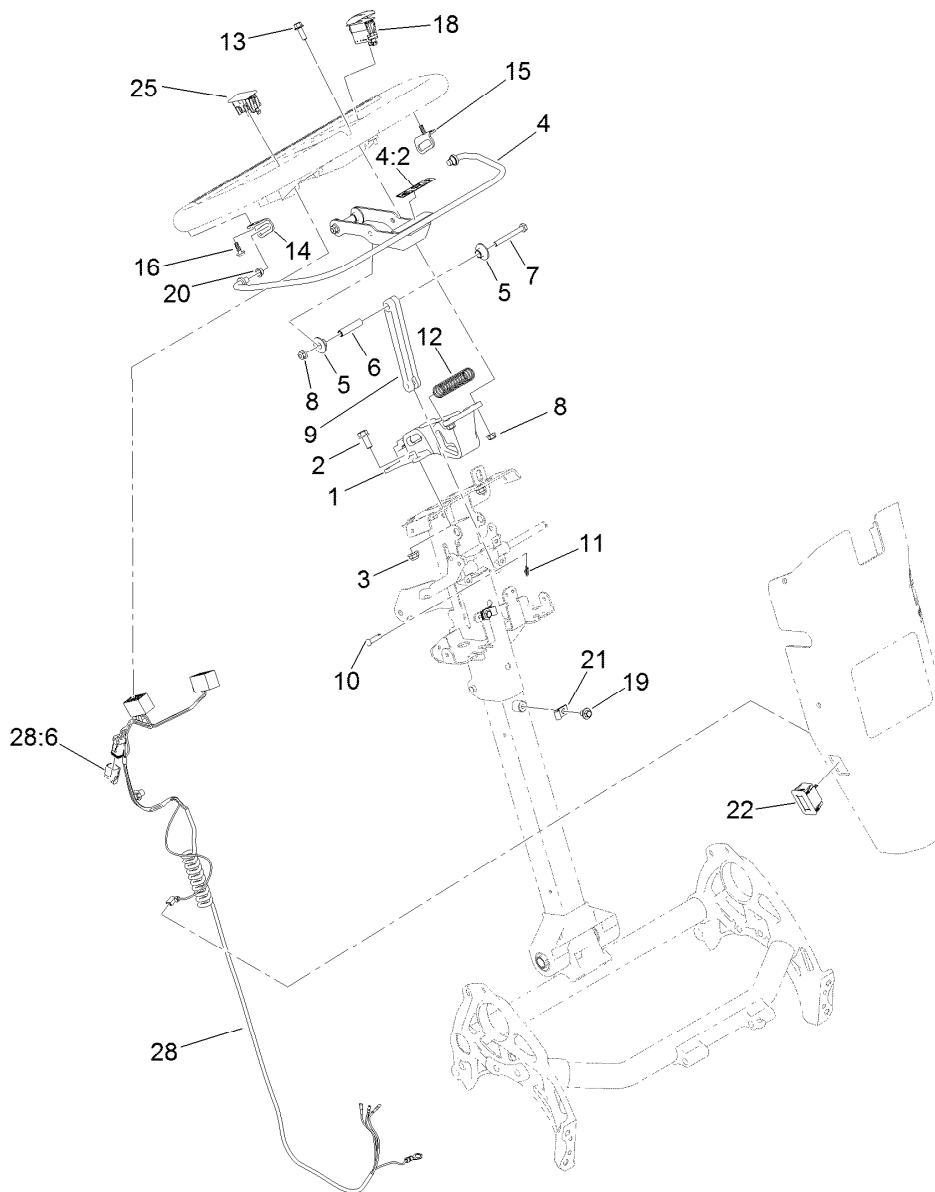
## Reel Controls and Covers Assembly

Ref.	Part Number	Qty.	Description	Ref.	Part Number	Qty.	Description
1	139-5191-0P	1	Receiver-Upper	17	104-9760	1	Knob-Black
2	137-0264	1	Shaft-Main, Controls	18	137-0190	1	Rod-Handle, Reel Lever
3	137-0266	1	Cam-Latch, Upper	19	137-0232	1	Connector-Clevis
4	138-1513	2	Clamp-Shaft, Control	20	1-808265	4	Pin-Clevis
5	137-0263	2	Bushing-Split	21	138-1587	2	Clip-Pin, Cotter
6	137-0312	1	Reel Lever ASM	22	138-1536	1	Spring-Extension
6:2	138-1637	2	Bearing-Needle	23	138-1479	1	Cover-Handle, Lower
7	131-3187	1	Seal-V-Ring	24	46-6810	8	Screw And Washer ASM
8	140-3410	1	Spring-Extension	25	139-4304	1	Control Upper Cover ASM
9	137-0313	1	Screw-Shoulder	25:2	138-1589	1	Decal-Reel Drive Engagement
10	137-0346	1	Spacer-Latch, Bail	26	140-3382	1	Decal-Greensmaster Flex 1018
11	104-7201	1	Nut-HF	27	75-5470	1	Spacer-Bearing
12	32151-47	1	Ring-Retaining	28	138-1592	1	Connector-Clevis
13	3274-8	4	Screw-HSH	29	140-3417	1	Spring-Extension
14	137-0180	1	Cable-Clutch				
15	137-0181	1	Cable-Traction				
16	138-1641	1	Stockcap				



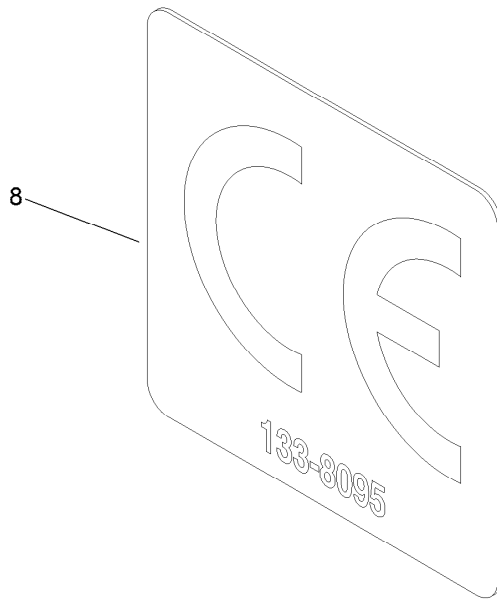
## Upper Handle Assembly

Ref.	Part Number	Qty.	Description	Ref.	Part Number	Qty.	Description
1	137-0183	1	Cable-Brake	20:2	137-0308	2	Bushing-Igus
2	137-0182	1	Cable-Throttle	21	137-0318	1	Spacer-Spring
3	321-15	1	Screw-HH	23	138-1514	2	Bushing-Flange
4	104-7201	1	Nut-HF	24	138-1573	1	Latch-Brake
5	137-0243	3	Spacer	25	119-1066	1	Screw-HF
6	322-12	4	Screw-HH	27	140-3377	1	Lever-Lock, Brake
7	119-4041	4	Nut-HF	28	32121-73	1	Pin-Roll
8	138-1645	1	Handle ASM	29	138-5505	1	Lever
8:2	138-5532	1	Decal-Warning, General	30	138-5538	2	Bushing-Flange
9	120-4654	2	Screw-HHF	31	138-1559	1	Screw-Shoulder
10	119-4040	5	Nut-Flange, NI	32	138-1518	1	Spring-Brake, Torsion
11	138-3538	2	Bushing-Flange	33	114-0282	1	Screw-HH
12	138-1636	1	Arm-Throttle	34	120-9695	1	Nut-Jam
13	138-5527	1	Screw-HHF	35	138-1535	1	Handle-Assist, Lift
14	3-5787	1	Spring-Compression	36	138-1481	1	Spring-Handle, Torsion
15	114-8410	1	Screw-HHF	41	138-5530-03	1	Cover-Bottom, Controls
16	139-4303	1	Throttle Lever ASM	42	46-6810	3	Screw And Washer ASM
16:2	138-5534	1	Decal-Throttle	43	115-5142	2	Screw-HHF
18	138-5514	1	Plate-Notepad, Handle	44	3256-22	2	Washer-Flat
19	127-6843	4	Screw-Plastite, Torx Pan	45	120-6564	1	Spacer
20	137-0317	1	Handle Adjuster ASM				



## Traction Bail Assembly

<i>Ref.</i>	<i>Part Number</i>	<i>Qty.</i>	<i>Description</i>	<i>Ref.</i>	<i>Part Number</i>	<i>Qty.</i>	<i>Description</i>
1	138-5524	1	Mount-Handle	13	120-9678	2	Screw-HHF
2	3234-47	2	Screw-HHF	14	138-3539	1	Bracket-Bail, RH
3	119-4041	2	Nut-HF	15	138-3540	1	Bracket-Bail, LH
4	139-4302	1	Clutch Bail ASM	16	138-5775	2	Screw-Delta Point
4:2	138-5533	1	Decal-Bail, Traction	18	122-1497	1	Switch-Rocker, On-None-Off
5	138-3466	4	Bushing-Flange	19	46-6810	2	Screw And Washer ASM
6	138-3465	2	Spacer-Tube	20	138-5538	2	Bushing-Flange
7	321-18	2	Screw-HH	21	2412-72	2	Clip-Closed, Insulated
8	119-4040	4	Nut-Flange, NI	22	119-1347	1	Meter-Hour
9	138-5515	1	Link-Bail, Clutch	25	119-7791	1	Plug-Hole, Carling
10	353-322	1	Pin-Clevis	28	122-1416	1	Harness-Wire
11	138-1587	1	Clip-Pin, Cotter	28:6	32180-091	1	Cap-Dust, 2 Way
12	138-3468	1	Spring-Compression				



## CE Decal

<i>Ref.</i>	<i>Part Number</i>	<i>Qty.</i>	<i>Description</i>
8	133-8095	1	Decal-CE

# Attachments and Accessories

## For 04850 Greensmaster Flex 1018 Traction Unit

Product Name	Model/Part
11-Blade 18in Flex ES CU .....	04853
14-Blade 18in Flex ES CU .....	04854
Narrow Wiehle Roller Kit, Greensmaster Flex 1018 Traction Unit .....	04026
Full Front Roller Asm (18 Inch) .....	04814
Roller ASM, Wide Wiehle.....	140-3441
Roller ASM, Extended Wiehle.....	140-9214
Front Scraper Kit for Narrow Wiehle Roller .....	120-9615
Front Scraper Kit for Wide Wiehle Roller.....	120-9616
Front Scraper Kit for Full Roller.....	120-9617
Front Brush Kit for Narrow Wiehle Roller .....	120-9621
Front Brush Kit for Wide Wiehle Roller.....	120-9622
Front Brush Kit for Full Roller .....	120-9623
Steel Rear Roller ASM.....	121-4682
Rear Roller ASM, 18 Inch .....	140-9258
Rear Roller Scraper Kit with Roller.....	120-9627
Universal Groomer Drive Kit .....	04648
18in Soft Grooming Brush.....	04268
18in Stiff Grooming Brush.....	04269
18in Twin Tip Groomer Reel .....	04801
18in Soft Grooming Brush Kit.....	127-1545
18in Stiff Grooming Brush Kit.....	127-1546
Roller Extension Kit .....	115-7361
High Height-of-Cut Arms (Qty 1).....	120-9600
Rear Roller Adjustment (Qty 1).....	120-9602
Access Backlap Kit .....	139-4342
Bedbar .....	110-2281-01
Bedbar-Aggressive .....	110-2281-0P
Bedknife-Microcut, Extended.....	110-2300
Bedknife-Low Cut .....	110-2301
Bedknife-Edgemax, Microcut.....	117-1530
Bedknife-EdgeMax, Tournament .....	117-1532
Bedknife-EdgeMax, Microcut Short .....	139-4318
Bedknife-EdgeMax, Tournament Short.....	139-4319
Bedknife-Tournament .....	98-7260
Bedknife-Microcut.....	98-7261
Blade-Groomer, Universal Harden Blade (Thin) .....	132-4626
Wheel Kit .....	04123
Light Kit (2019+) .....	04135
Push Broom Kit, Walk Greensmower (2019+) .....	04136
Wireless Hour Meter Kit.....	139-4369
MVP Kit-Cutting Unit Re-Build .....	121-2637
Premium Engine Oil 10w30 (55 Gallon Drum) .....	121-6392
Premium Engine Oil 10w30 (5 Gallon Pail) .....	121-6393
Grease-Synthetic.....	136-8595
Turf Evaluator .....	04399
Toro Reel Paper (10 Pack).....	125-5610

## Attachments and Accessories (continued)

Toro Reel Shim (0.002in) .....	125-5611
Angle Indicator.....	131-6828
Angle Indicator Mount.....	131-6829
Height-of-Cut Bar.....	94-9010
Trans Pro 80 Tow-Behind Trailer.....	04238
Flat Ramp .....	04245
Rail Ramp Kit (Update).....	04247
Trans Pro 100 Tow-Behind Trailer.....	04240
18in Rail Conversion Kit.....	110-7345
Rail Ramp Kit TP100 .....	138-5011
Rod Replacement Kit, Greensmaster 1018 Series Traction Unit with Trans Pro 100 Tow-Behind Trailer .....	139-6470
Retention Straps Kit.....	139-6477

**Notes:**



**Count on it.**