



Count on it.

Parts Catalog

**60V 21in Super Recycler®
Lawn Mower**

Model No. 21388—Serial No. 400000000 and Up



Ordering Replacement Parts

To order replacement parts, please supply the part number, the quantity, and the description of each part desired.

Understanding Reference Numbers

Each identified part in an illustration has a reference number. The reference number for a part also appears in the parts list, along with other information about the part.

This catalog uses two special reference number formats, one to indicate parts in a service assembly and another to indicate the quantity of a given part in an illustration.

Service Assembly Reference Numbers

Parts in service assemblies have reference numbers in the form a:b. The a represents the reference number of the entire service assembly and the b represents a sequential number unique to each part within the service assembly.

For example, a wheel assembly might be identified by reference number 6, the tire by 6:1, the valve by 6:2, and the wheel by 6:3. When you order the assembly identified by reference number 6, you receive all parts identified by reference numbers 6:1, 6:2, and 6:3. However, you may also order any part individually. Reference numbers of this type appear in illustration and in parts lists.

Reference Numbers Indicating Quantity

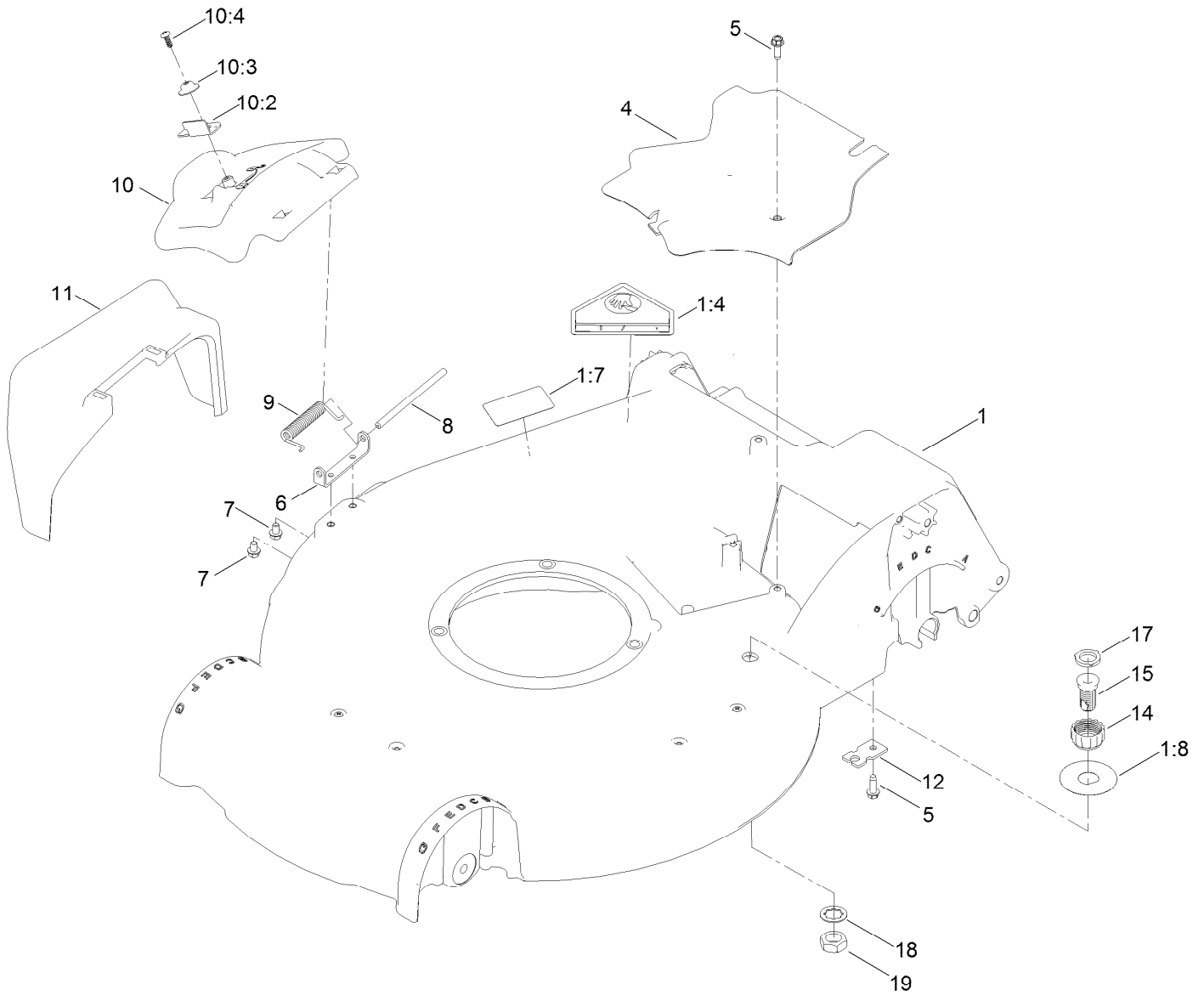
In an illustration, if a reference number indicates more than one part, the reference number has the form nX y. The n represents the quantity of the part, the X is the multiplication symbol, and the y represents the reference number.

For example, in an illustration, the reference number 2X 37 means that two of the parts identified by reference number 37 are indicated.

Contents

Housing Assembly	4
Rear Door and Mulch Plug Assembly	6
Rear Bag Assembly	8
Motor Module and Blade Assembly	10
Motor Module Assembly No. 140-4203	12
Motor Module Assembly No. 140-4203	14
Front Wheel and Height-of-Cut Assembly	16
Transmission and Rear Wheel Height-of-Cut Assembly	18
Handle Assembly	20
Electric Starter Assembly	22
Attachments and Accessories	24

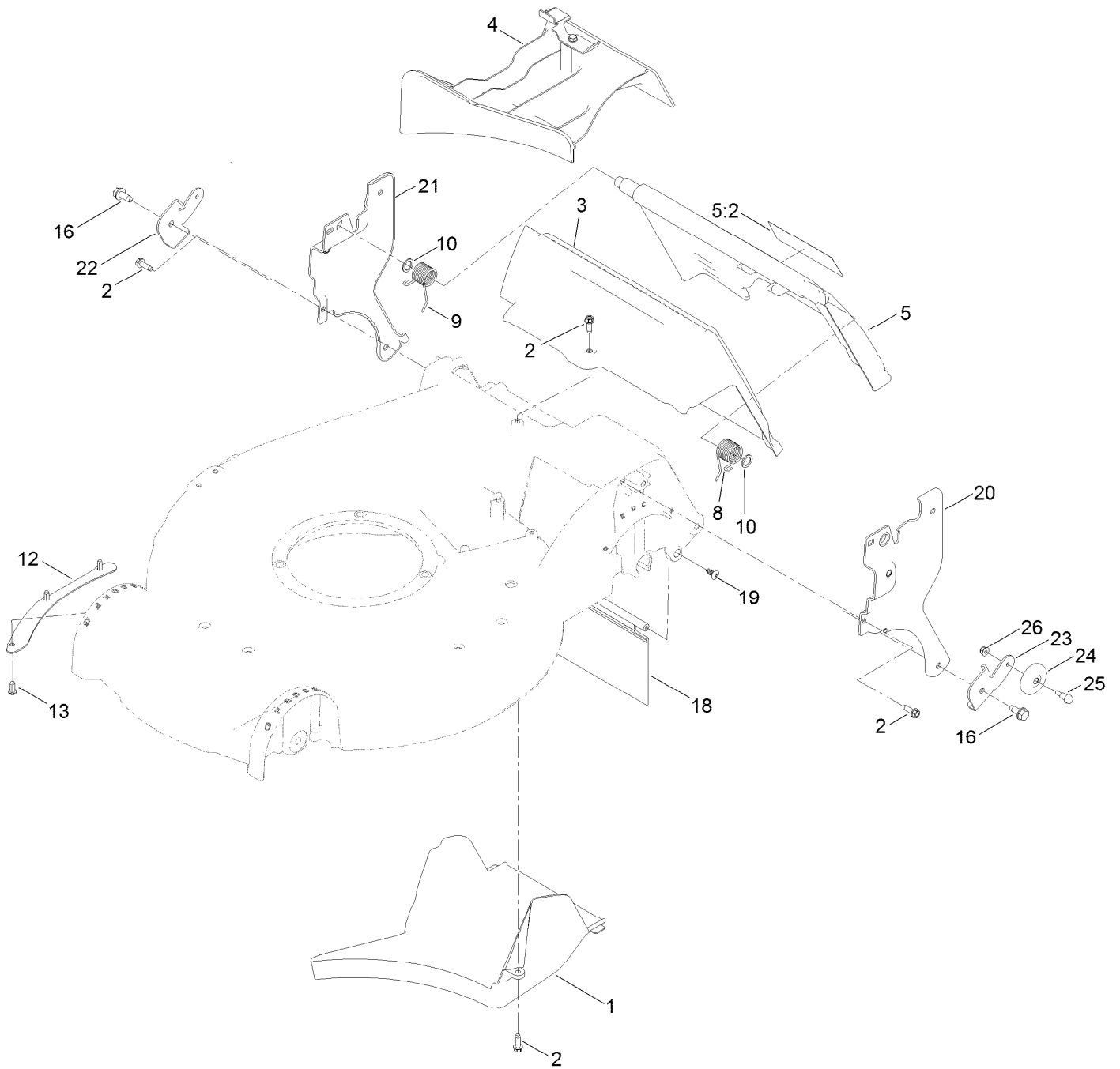
Housing Assembly



Housing Assembly (continued)

<i>Ref.</i>	<i>Part Number</i>	<i>Qty.</i>	<i>Description</i>	<i>Ref.</i>	<i>Part Number</i>	<i>Qty.</i>	<i>Description</i>
1	140-3768	1	Housing ASM	10:2	138-3221	1	Latch-Door
1:4	94-8072	1	Decal-Danger	10:3	138-3242	1	Cap-Door
1:7	125-5092	1	Decal-Placement, Foot	10:4	137-9137	1	Screw-PPH
1:8	137-9196	1	Decal-Quick Wash	11	108-3753	1	Chute-Discharge, Side
4	107-7494	1	Cover-Belt	12	138-3224	1	Bracket-Cable, Traction
5	49-2040	2	Screw-HWHTF	14	112-6401	1	Coupling-Hose, Washout Port
6	112-6416	1	Bracket-Cover	15	112-6400	1	Port-Washout
7	137-4795	2	Screw	17	112-6438	1	Washer-Seal, Washout Port
8	99-5291	1	Rod-Cover	18	3254-5	1	Washer-Lock
9	99-5293	1	Spring-Torsion	19	3218-6	1	Nut-Jam
10	107-3717	1	Discharge Door ASM				

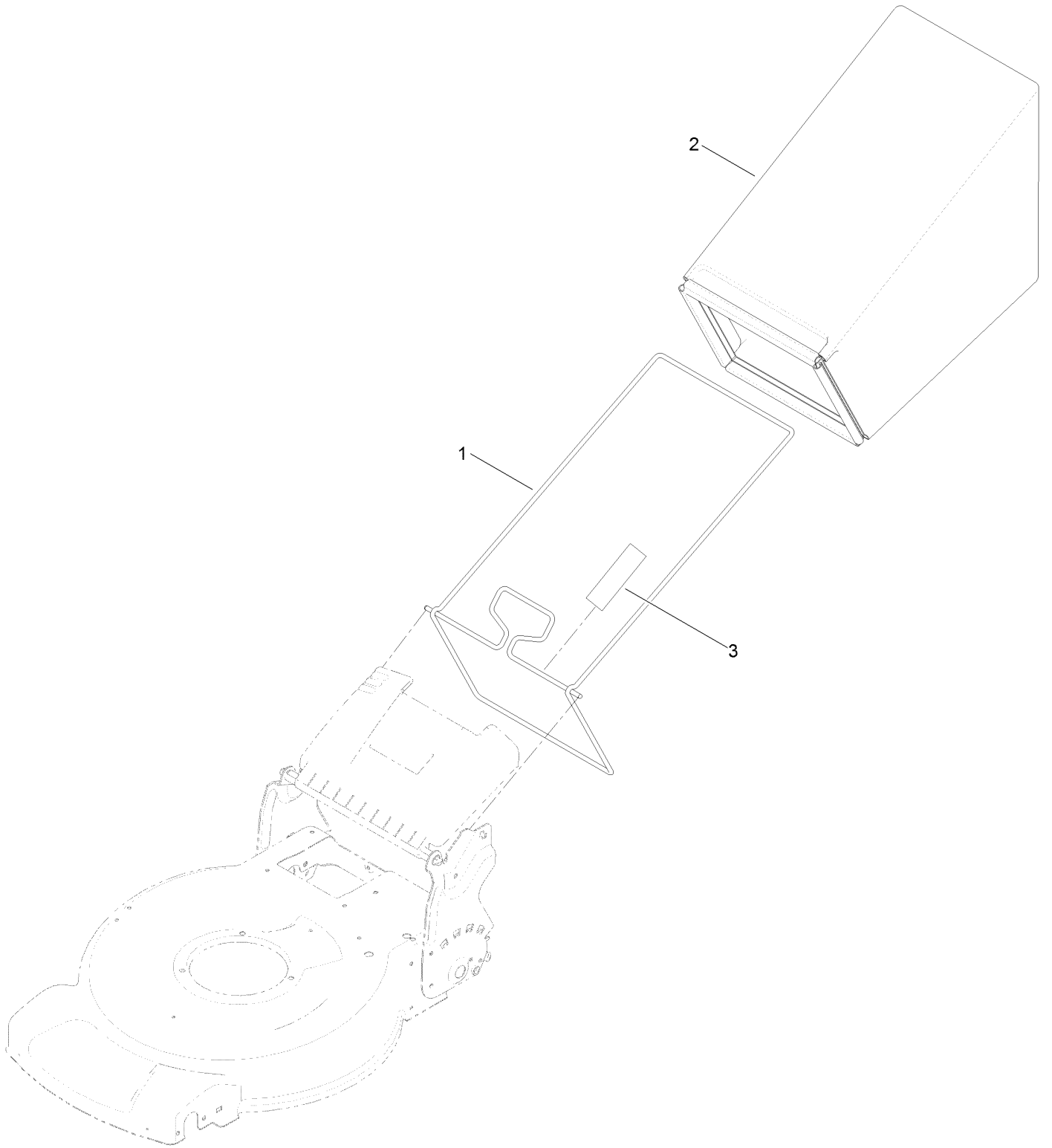
Rear Door and Mulch Plug Assembly



Rear Door and Mulch Plug Assembly (continued)

<i>Ref.</i>	<i>Part Number</i>	<i>Qty.</i>	<i>Description</i>	<i>Ref.</i>	<i>Part Number</i>	<i>Qty.</i>	<i>Description</i>
1	107-7495	1	Tunnel-Discharge	16	32144-70	2	Screw-HWHTF
2	49-2040	5	Screw-HWHTF	18	120-7011	1	Shield-Trailing
3	114-2668	1	Chute	19	117-1092	2	Screw-PTH
4	115-8413	1	Mulch Plug ASM	20	137-9108	1	Plate-Handle, LH
5	144-6372	1	Door Rear ASM	21	137-9107	1	Plate-Handle, RH
5:2	144-6368	1	Decal-Warning	22	140-1286-03	1	Bracket-Smartstow, RH
8	115-2859	1	Spring-Torsion	23	140-1287-03	1	Bracket-Smartstow, LH
9	114-7924	1	Spring-Torsion	24	106-9799	2	Wheel-Sweep
10	94-8196	2	Washer-Nylon	25	140-1292	2	Screw-Shoulder
12	105-1316-01	1	Lip-Housing	26	138-0719	2	Nut-HF
13	63-8590	3	Screw				

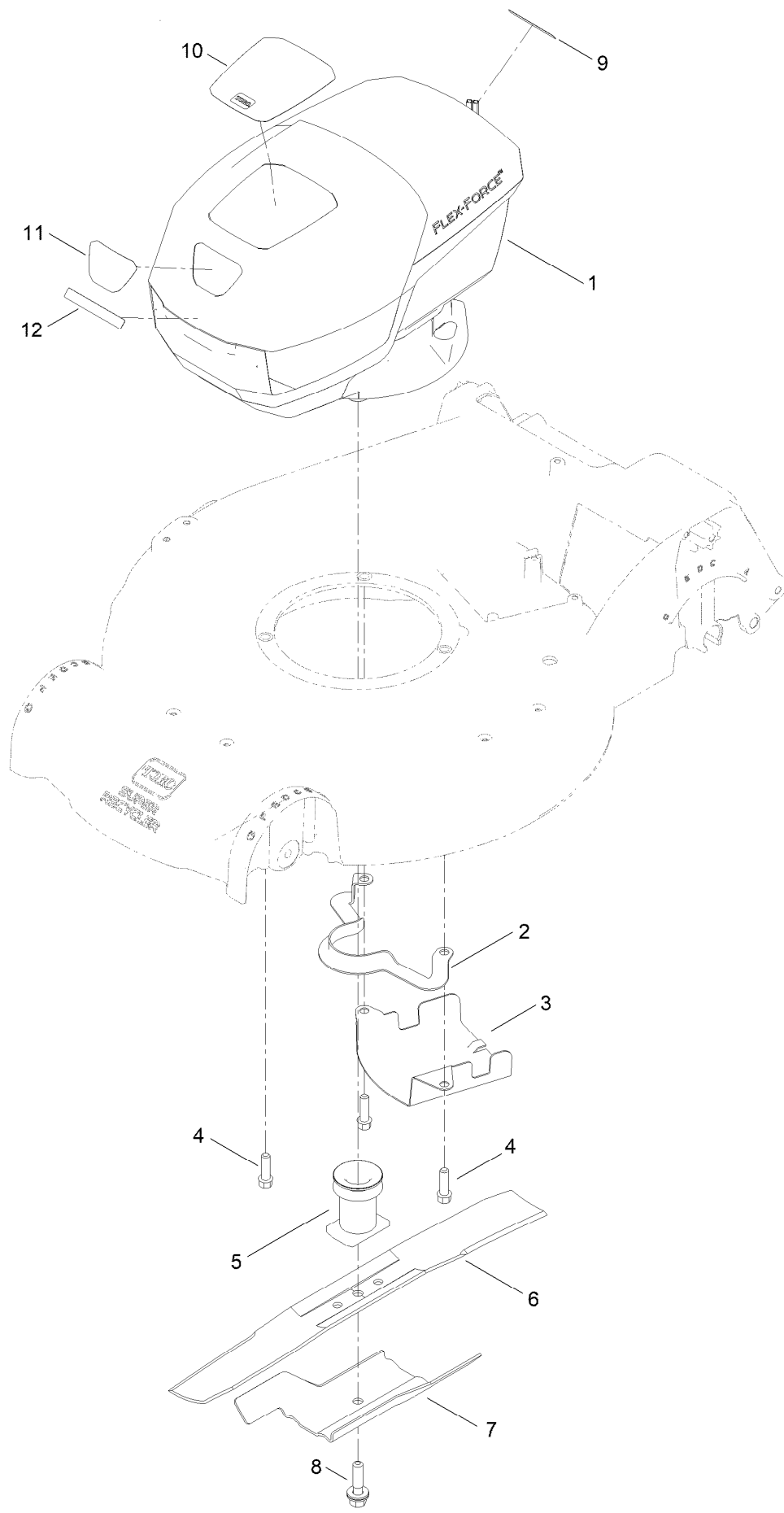
Rear Bag Assembly



Rear Bag Assembly (continued)

<i>Ref.</i>	<i>Part Number</i>	<i>Qty.</i>	<i>Description</i>
1	132-4529-03	1	Bag Frame ASM
2	114-2664	1	Grass Bag ASM
3	139-8986	1	Decal-Warning (Bag)

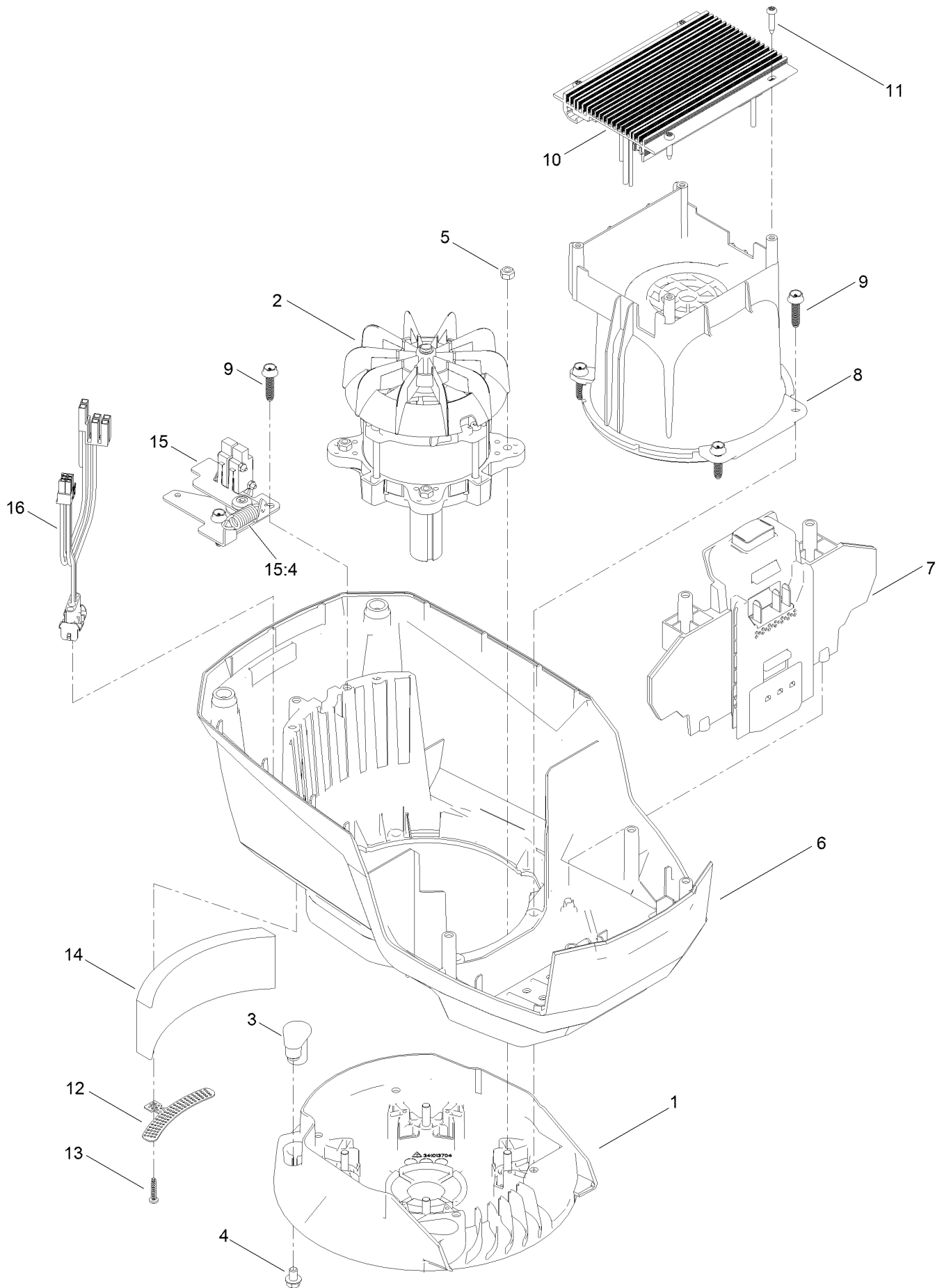
Motor Module and Blade Assembly



Motor Module and Blade Assembly (continued)

<i>Ref.</i>	<i>Part Number</i>	<i>Qty.</i>	<i>Description</i>	<i>Ref.</i>	<i>Part Number</i>	<i>Qty.</i>	<i>Description</i>
1	140-4203	1	Motor Module	7	105-6848-01	1	Accelerator-Blade
2	108-8110-03	1	Guide-Belt	8	125-2466	1	Bolt-Blade
3	107-7489-03	1	Shield-Grass	9	133-8061	1	Decal-Warning
4	95-1727	3	Screw-Taptite	10	140-4190	1	Decal
5	139-1816	1	Driver-Blade	11	140-4191	1	Decal
6	144-3178-03	1	Blade-21In Recycling	12	144-3183	1	Decal

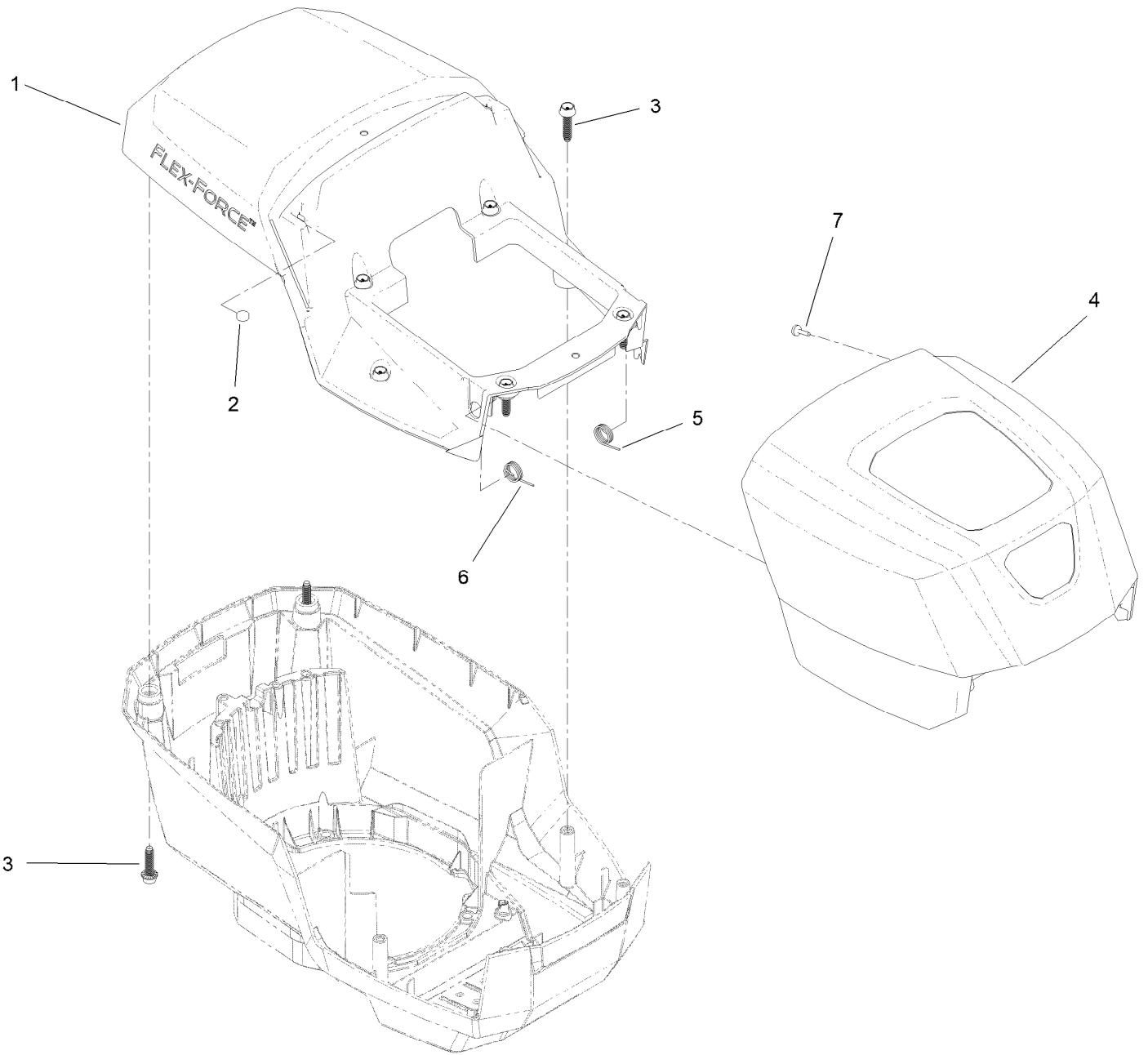
Motor Module Assembly No. 140-4203



Motor Module Assembly No. 140-4203 (continued)

<i>Ref.</i>	<i>Part Number</i>	<i>Qty.</i>	<i>Description</i>	<i>Ref.</i>	<i>Part Number</i>	<i>Qty.</i>	<i>Description</i>
1	139-6628	1	Base-Mount, Motor	10	140-4117	1	Controller-Motor [2 Spd]
2	140-4119	1	Motor-2Kw	11	139-6642	4	Screw
3	131-9732	3	Insert-Mount, Motor	12	139-6635	1	Bracket-Foam
4	137-4795	3	Screw	13	138-3273	1	Screw-Plastic, PPH
5	115-7373	4	Nut-Lock	14	139-6636	1	Foam
6	139-6631	1	Shroud-Lower	15	133-1918	1	Bail Switch ASM
7	139-6632	1	Battery Reciever ASM	15:4	104-6478	1	Spring-Extension
8	139-6633	1	Shroud-Motor	16	139-6637	1	Harness-Wire
9	130-6658	6	Screw-Flange, Plastic				

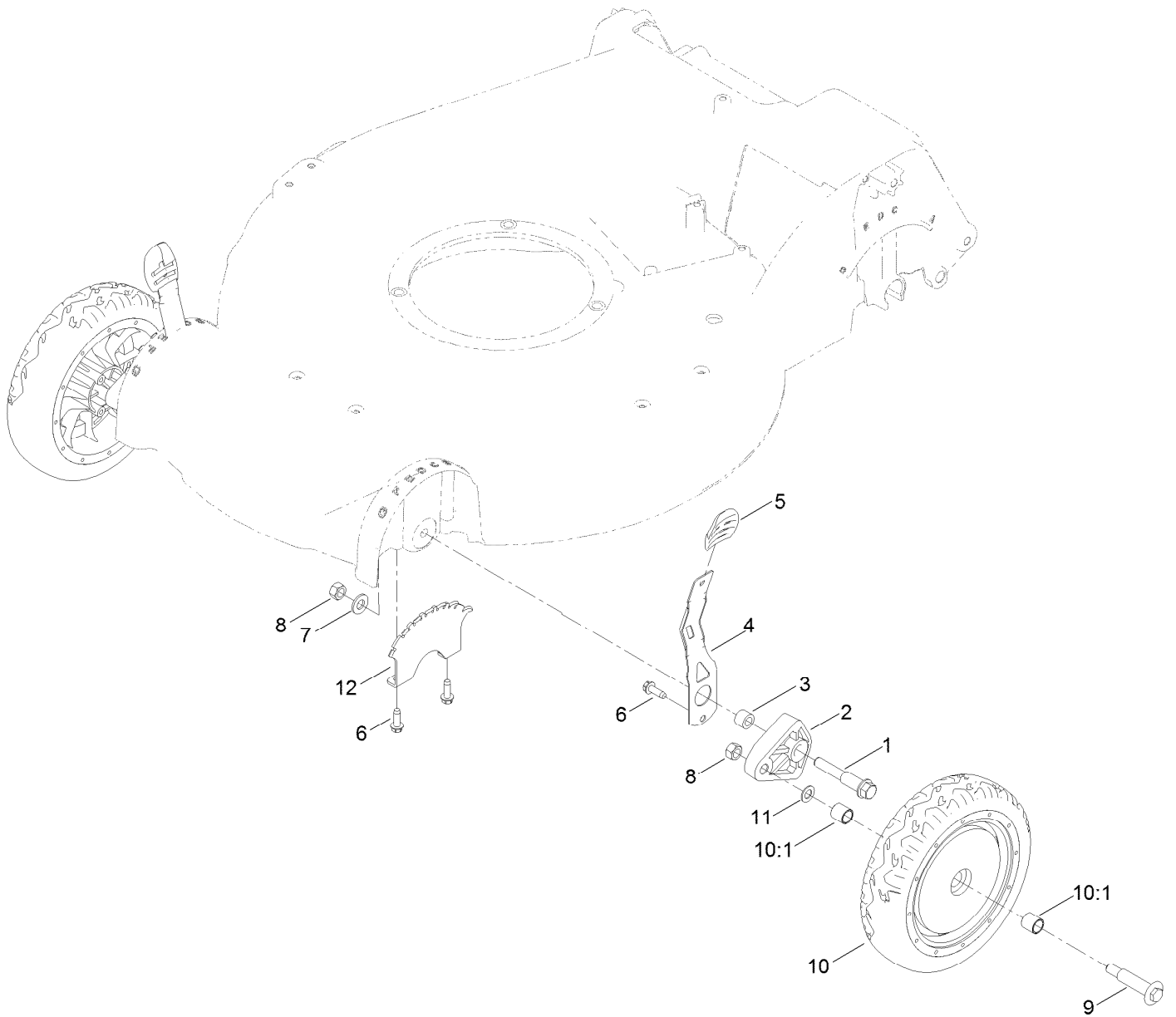
Motor Module Assembly No. 140-4203



Motor Module Assembly No. 140-4203 (continued)

<i>Ref.</i>	<i>Part Number</i>	<i>Qty.</i>	<i>Description</i>	<i>Ref.</i>	<i>Part Number</i>	<i>Qty.</i>	<i>Description</i>
1	139-6638	1	Shroud-Upper	5	139-6640	1	Spring-LH
2	114-5896	2	Magnet	6	139-6641	1	Spring-RH
3	130-6658	8	Screw-Flange, Plastic	7	95-4234	2	Screw-PPH
4	139-6639	1	Hood				

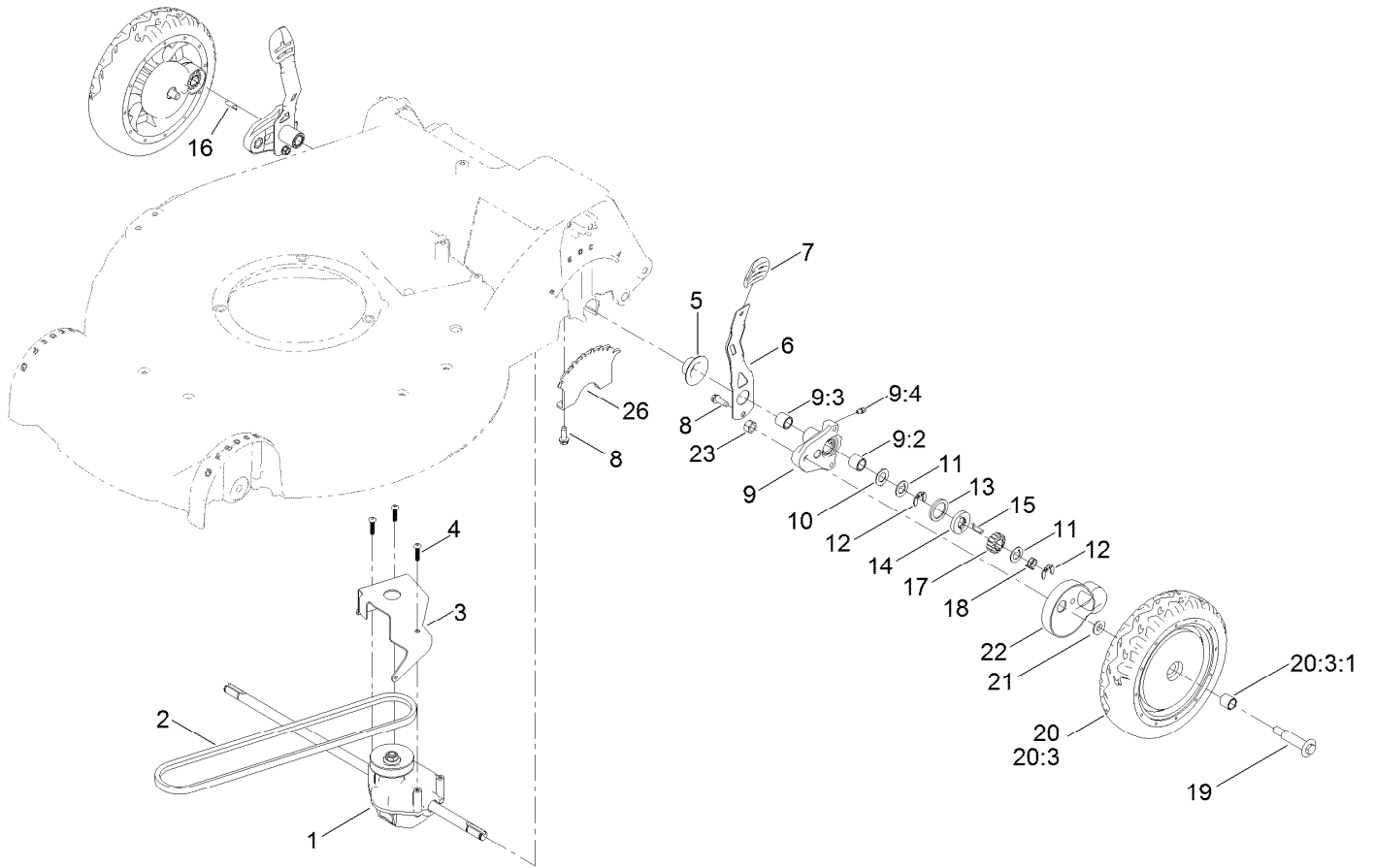
Front Wheel and Height-of-Cut Assembly



Front Wheel and Height-of-Cut Assembly (continued)

<i>Ref.</i>	<i>Part Number</i>	<i>Qty.</i>	<i>Description</i>	<i>Ref.</i>	<i>Part Number</i>	<i>Qty.</i>	<i>Description</i>
1	114-3467	2	Screw-Shoulder	8	603773	4	Locknut
2	107-7492	2	Arm-Pivot	9	92-1057	2	Bolt-Shoulder
3	52-2480	2	Spacer-Wheel	10	140-1294	2	Wheel ASM
4	107-7491	2	Arm-Spring	10:1	27-6250	2	Bushing
5	105-3042	2	Knob-Lever, HOC	11	40-1940	2	Washer
6	49-2040	6	Screw-HWHTF	12	139-1669-01	2	Plate-HOC
7	3256-24	2	Washer-Flat				

Transmission and Rear Wheel Height-of-Cut Assembly

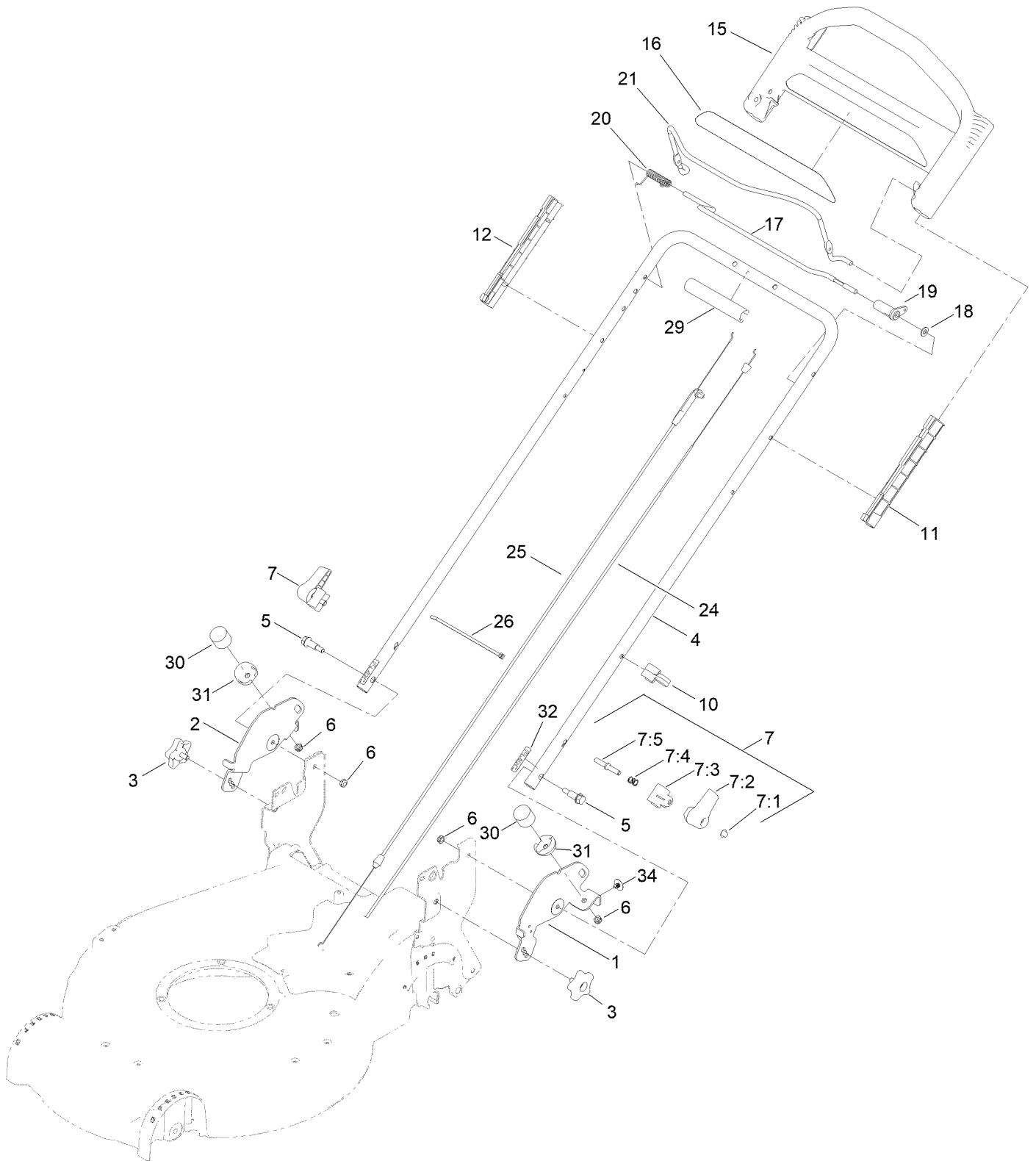


Transmission and Rear Wheel Height-of-Cut Assembly (continued)

<i>Ref.</i>	<i>Part Number</i>	<i>Qty.</i>	<i>Description</i>	<i>Ref.</i>	<i>Part Number</i>	<i>Qty.</i>	<i>Description</i>
1	121-9184	1	Transmission ASM	13	65-4710	2	Ring-Friction
2	115-4669	1	Belt-V	14	65-4760	2	Washer-Clutch
3	114-7977-03	1	Bracket-Transmission	15	139-6644	1	Key-Rocking, L.H.
4	108-7476	3	Screw-Plastite	16	139-6643	1	Key-Rocking, R.H.
5	138-3235	2	Cap-End	17	65-4750	2	Gear-Pinion
6	107-7491	2	Arm-Spring	18	65-4720	2	Spring-Compression
7	105-3042	2	Knob-Lever, HOC	19	92-1057	2	Bolt-Shoulder
8	49-2040	6	Screw-HWHTF	20	140-1295	2	Wheel Gear ASM
9	100-8774	2	Pivot Arm ASM	20:3		1	Wheel ASM ●
9:2	47-2900	1	Bushing	20:3:1	27-6250	2	Bushing
9:3	70-9760	1	Bushing	21	74-1671	2	Spacer-Cover, Wheel
9:4	302-56	1	Fitting-Grease	22	74-1660	2	Cover-Wheel
10	65-4730	2	Washer-Arm, Pivot	23	603773	2	Locknut
11	65-4740	4	Washer-Thrust, Keyed	26	139-1669-01	2	Plate-HOC
12	65-2720	4	Ring-Retaining, Clip				

● Not serviced separately

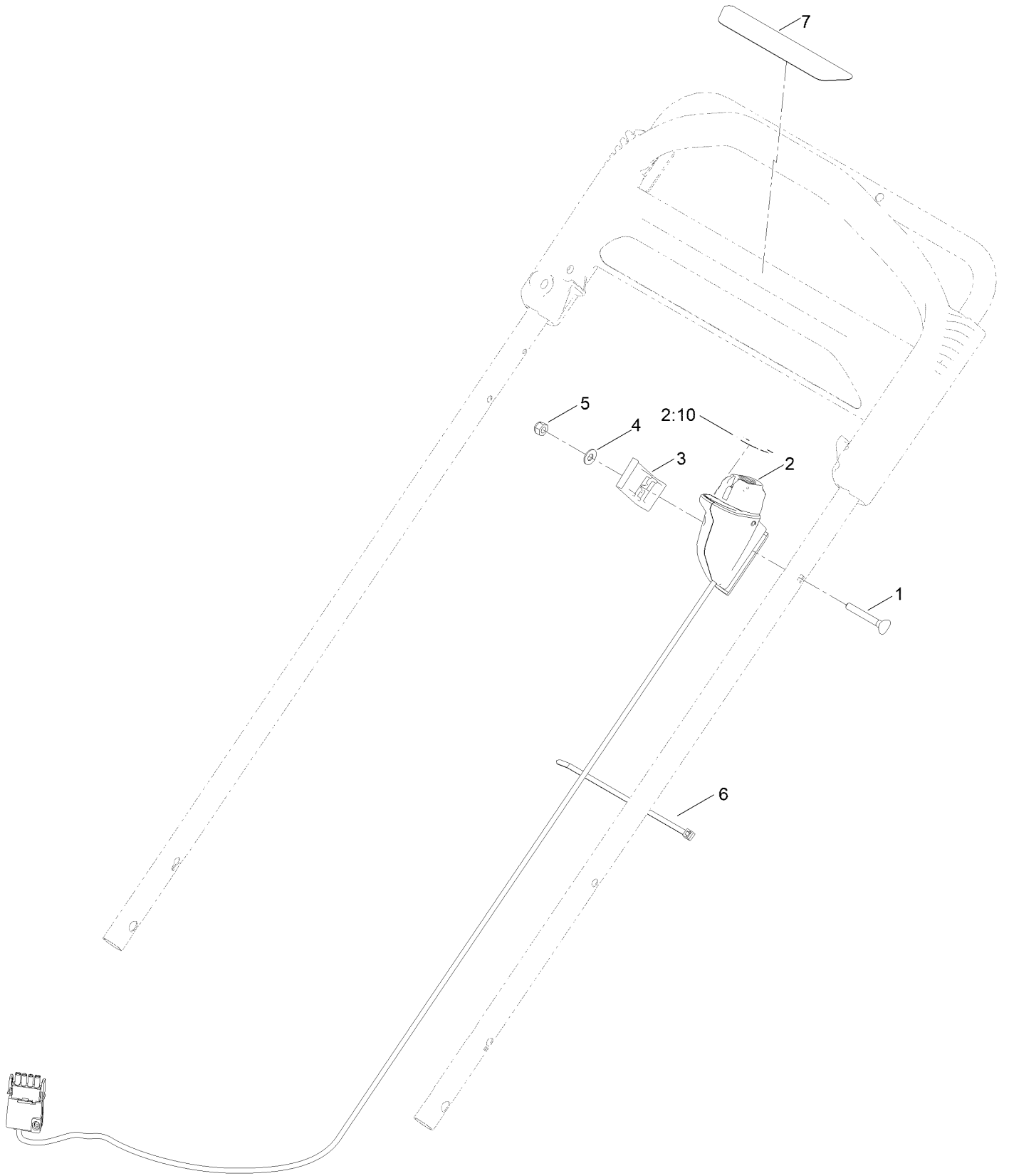
Handle Assembly



Handle Assembly (continued)

<i>Ref.</i>	<i>Part Number</i>	<i>Qty.</i>	<i>Description</i>	<i>Ref.</i>	<i>Part Number</i>	<i>Qty.</i>	<i>Description</i>
1	140-3831-03	1	Bracket-Float, LH	15	104-8678	1	Handle-Control
2	137-4838-03	1	Bracket-Float, RH	16	144-3197	1	Decal
3	137-4844	2	Knob-Handle	17	136-7150	1	Bar-Control, Traction
4	140-3824-05	1	Handle-Upper	18	3256-23	1	Washer-Plain
5	130-2344	2	Bolt-Shoulder	19	99-1589	1	Lever-Traction
6	3296-47	4	Nut-Lock, NI	20	136-7166	1	Spring-Torsion
7	138-3249	2	Quick Release ASM	21	131-0880-03	1	Bail-Brake
7:1	32112-11	1	Nut-Push	24	117-9389	1	Cable-Traction
7:2	138-3248	1	Lever-Release	25	117-5900	1	Cable-Brake
7:3	138-3253	1	Anchor-Spring	26	614249	3	Tie-Cable
7:4	115-2858	1	Spring-Compression	29	131-4551	1	Cover-Handle
7:5	138-3243	1	Rod-Release	30	137-4803	2	Bumper-Rubber
10	114-7988	1	Guide-Cable	31	137-9100	2	Cover-Bumper
11	105-6842	1	Guide-LH	32	140-3827	2	Decal-Flex
12	105-6841	1	Guide-RH	34	130-6721	2	Clip-Tree

Electric Starter Assembly



Electric Starter Assembly (continued)

<i>Ref.</i>	<i>Part Number</i>	<i>Qty.</i>	<i>Description</i>	<i>Ref.</i>	<i>Part Number</i>	<i>Qty.</i>	<i>Description</i>
1	95-4453	1	Screw	4	3256-1	1	Washer-Flat
2	140-4207	1	Starter Switch ASM	5	3296-73	1	Nut-Lock, NI
2:10	134-4691	1	Decal - Control Speed	6	614249	1	Tie-Cable
3	136-7029	1	Clamp-Cable	7	140-1324	1	Decal-Controls (60V, Start)

Attachments and Accessories

For 21388 60V 21in Super Recycler Lawn Mower

Product Name	Model/Part
Bagging Blade	108-3759-03
Lawnmower Cover.....	490-7462
Traction Assist Handle Kit.....	131-4590
60V LI-ION Battery 6.0 AH.....	88660
60V LI-ION Battery 7.5 AH.....	88675
60V Battery Charger 2 AMP	88602
60V Cordless Trimmer (Bare Tool).....	51830T
60V Cordless Blower (Bare Tool).....	51820T
Bag-Walk Behind (Toro).....	490-7318
Power Clear 21in 60V Cordless (Bare Tool).....	39901T

Notes:

Notes:

Notes:



Count on it.