



Count on it.

Parts Catalog

**Heavy-Duty 60V 21in
Recycler[®]/Rear Bagger
Lawn Mower**

Model No. 22282—Serial No. 40000000 and Up



Ordering Replacement Parts

To order replacement parts, please supply the part number, the quantity, and the description of each part desired.

Understanding Reference Numbers

Each identified part in an illustration has a reference number. The reference number for a part also appears in the parts list, along with other information about the part.

This catalog uses two special reference number formats, one to indicate parts in a service assembly and another to indicate the quantity of a given part in an illustration.

Service Assembly Reference Numbers

Parts in service assemblies have reference numbers in the form a:b. The a represents the reference number of the entire service assembly and the b represents a sequential number unique to each part within the service assembly.

For example, a wheel assembly might be identified by reference number 6, the tire by 6:1, the valve by 6:2, and the wheel by 6:3. When you order the assembly identified by reference number 6, you receive all parts identified by reference numbers 6:1, 6:2, and 6:3. However, you may also order any part individually. Reference numbers of this type appear in illustration and in parts lists.

Reference Numbers Indicating Quantity

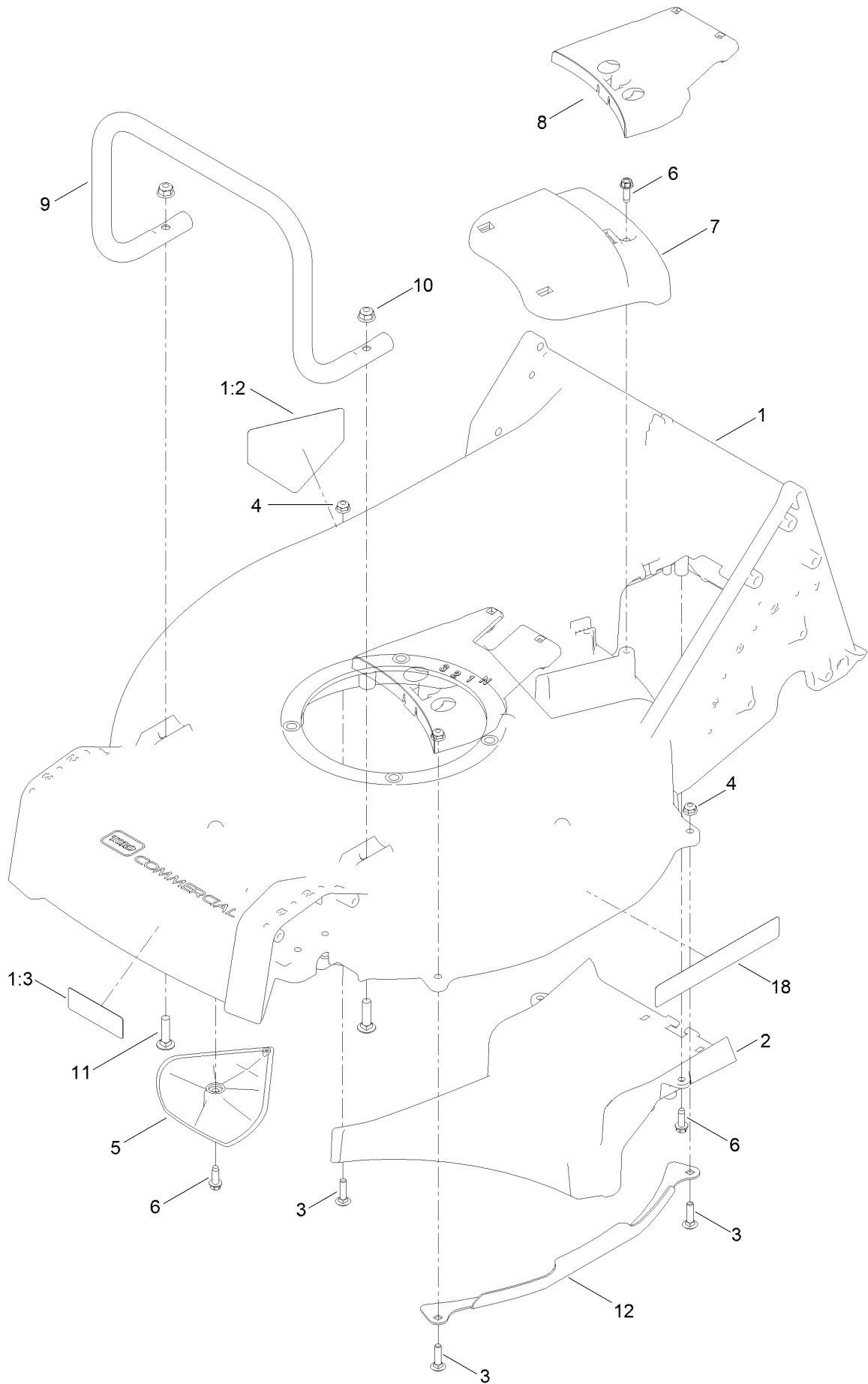
In an illustration, if a reference number indicates more than one part, the reference number has the form nX y. The n represents the quantity of the part, the X is the multiplication symbol, and the y represents the reference number.

For example, in an illustration, the reference number 2X 37 means that two of the parts identified by reference number 37 are indicated.

Contents

Housing Assembly	4
Grass Bag Assembly	6
Motor Module and Blade Assembly	8
Motor Module Assembly No. 140-4120	10
Motor Modual Assembly No. 140-4120	12
Front Wheel and Height-of-Cut Assembly	14
Transmission and Rear Wheel Assembly	16
Handle Assembly	18
Attachments and Accessories	20

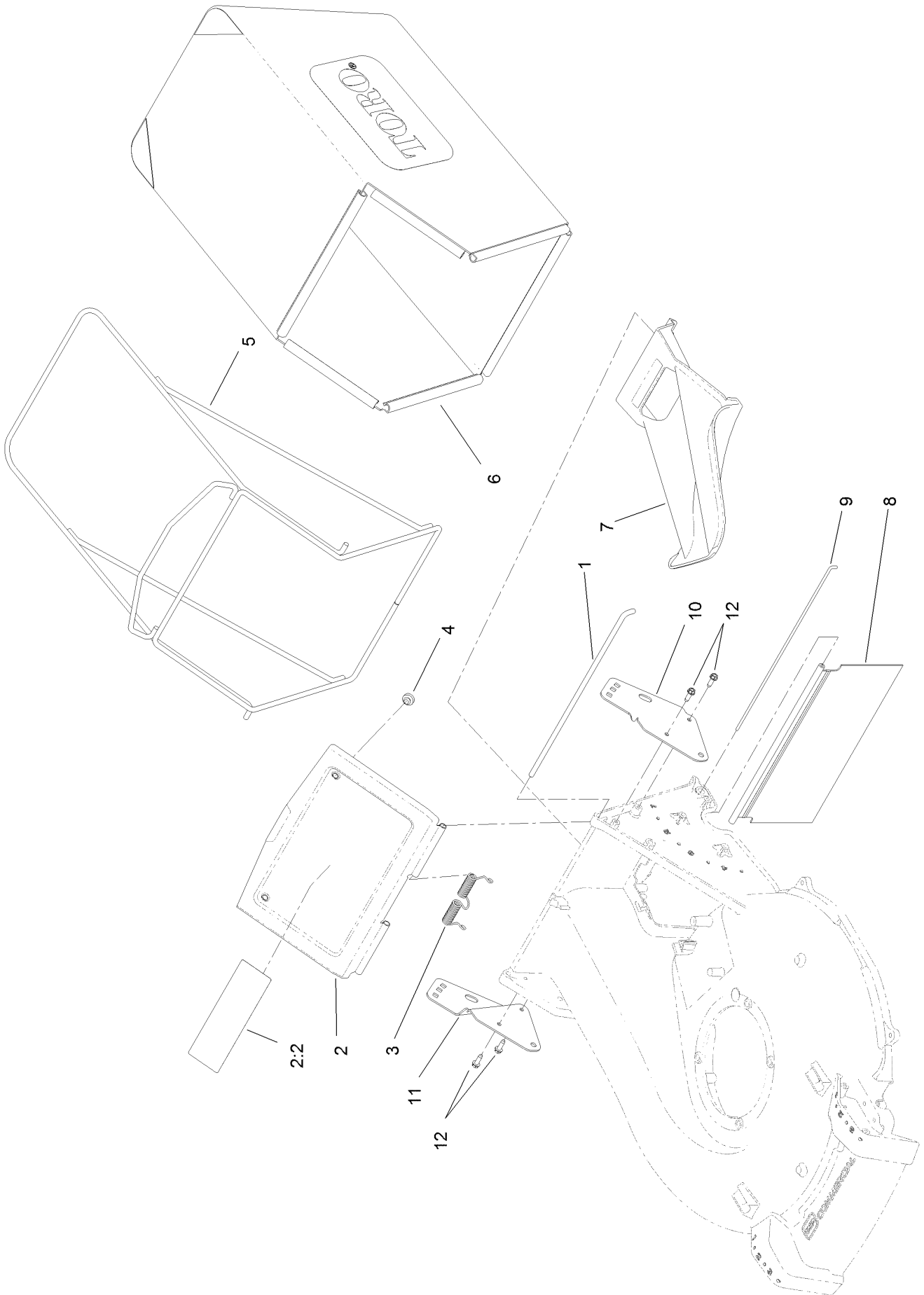
Housing Assembly



Housing Assembly (continued)

<i>Ref.</i>	<i>Part Number</i>	<i>Qty.</i>	<i>Description</i>	<i>Ref.</i>	<i>Part Number</i>	<i>Qty.</i>	<i>Description</i>
1	136-5896	1	Housing ASM	7	125-5038	1	Cover-Belt, Front
1:2	94-8072	1	Decal-Danger	8	125-8380	1	Cover-Belt, Rear
1:3	130-9670	1	Decal-Warning, Blade	9	140-3880-03	1	Guard-Engine
2	125-1002-01	1	Floor-Chute	10	104-8300	2	Nut-HF, NI
3	3229-2	4	Screw-CARR	11	3230-3	2	Screw-CARR
4	104-7201	4	Nut-HF	12	125-1047-03	2	Guard-Side, Deck
5	125-5041	2	Kicker	18	119-2368	2	Decal-Recycler
6	49-2040	5	Screw-HWHTF				

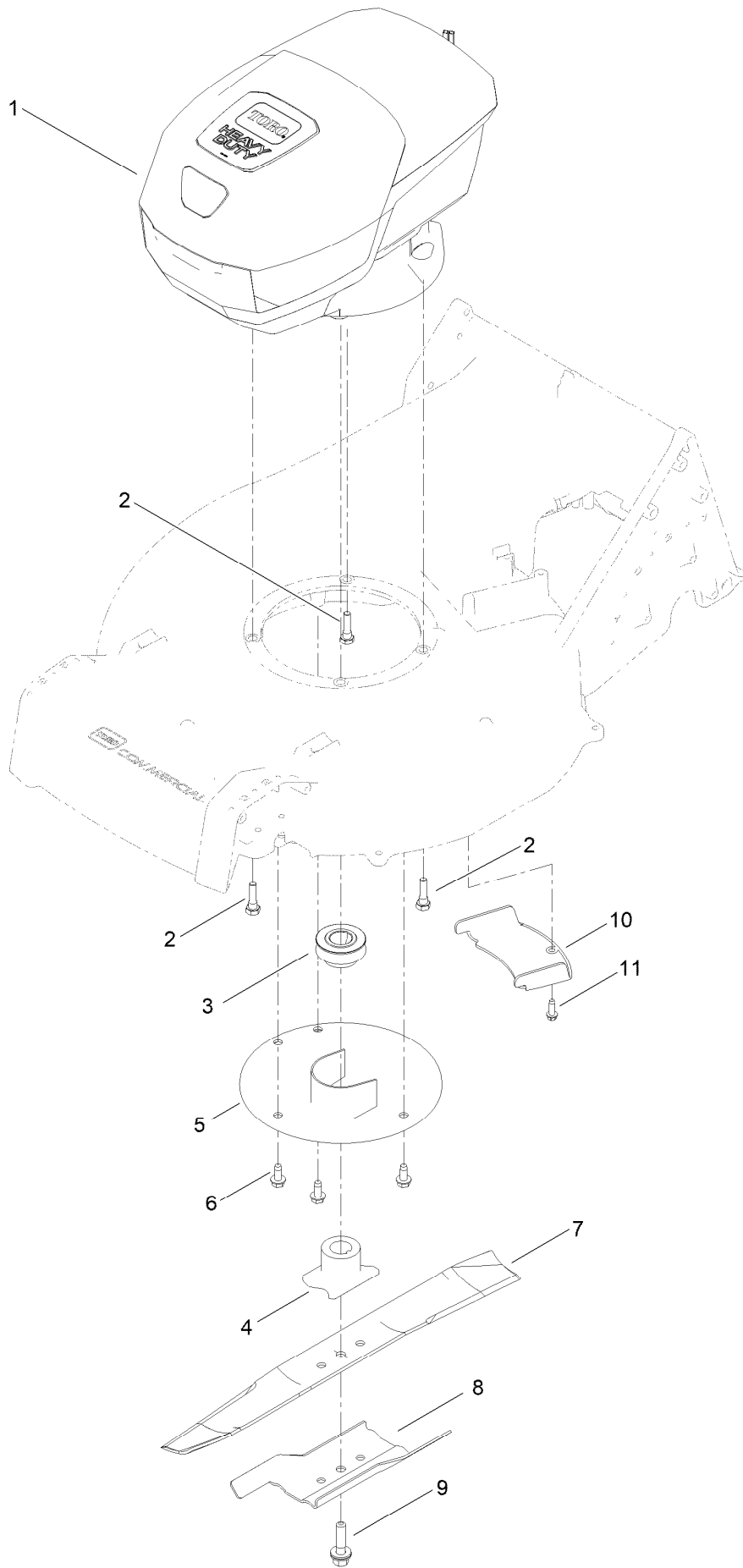
Grass Bag Assembly



Grass Bag Assembly (continued)

<i>Ref.</i>	<i>Part Number</i>	<i>Qty.</i>	<i>Description</i>	<i>Ref.</i>	<i>Part Number</i>	<i>Qty.</i>	<i>Description</i>
1	125-1017	1	Rod-Door, Bag	7	125-1008	1	Plug-Mulch
2	125-8402	1	Bag Door ASM	8	125-1007	1	Shield-Trailing
2:2	116-7583	1	Decal-Warning	9	125-8413	1	Rod-Shield, Trailing
3	125-1019	1	Spring-Torsion	10	133-8193-03	1	Bracket-Mount, Handle (LH)
4	1-513658	2	Bumper	11	133-8194-03	1	Bracket-Mount, Handle (RH)
5	121-1399-03	1	Frame-Bag	12	32144-70	4	Screw-HWHTF
6	125-1030	1	Bag-Grass				

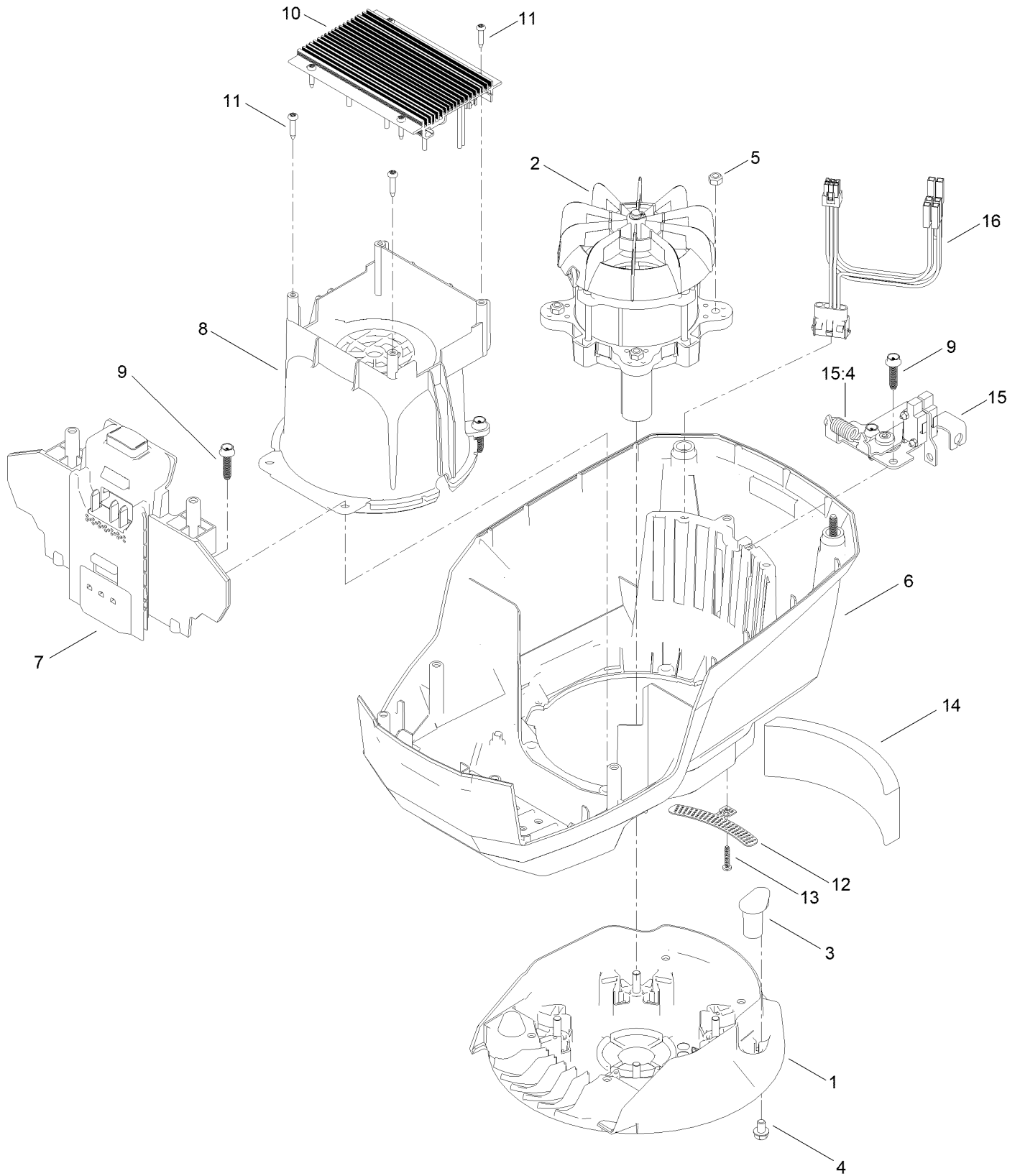
Motor Module and Blade Assembly



Motor Module and Blade Assembly (continued)

<i>Ref.</i>	<i>Part Number</i>	<i>Qty.</i>	<i>Description</i>	<i>Ref.</i>	<i>Part Number</i>	<i>Qty.</i>	<i>Description</i>
1	140-4120	1	Motor Module	7	133-8183-03	1	Blade-Recycling, 21In
2	125-1074	3	Screw-HH	8	125-1069-03	1	Accelerator-Blade
3	125-8396	1	Pulley-Driver	9	125-2466	1	Bolt-Blade
4	125-1004	1	Driver-Blade	10	125-1024	1	Cover-Belt
5	125-8370	1	Protector-Crankshaft	11	49-2040	1	Screw-HWHTF
6	32144-70	3	Screw-HWHTF				

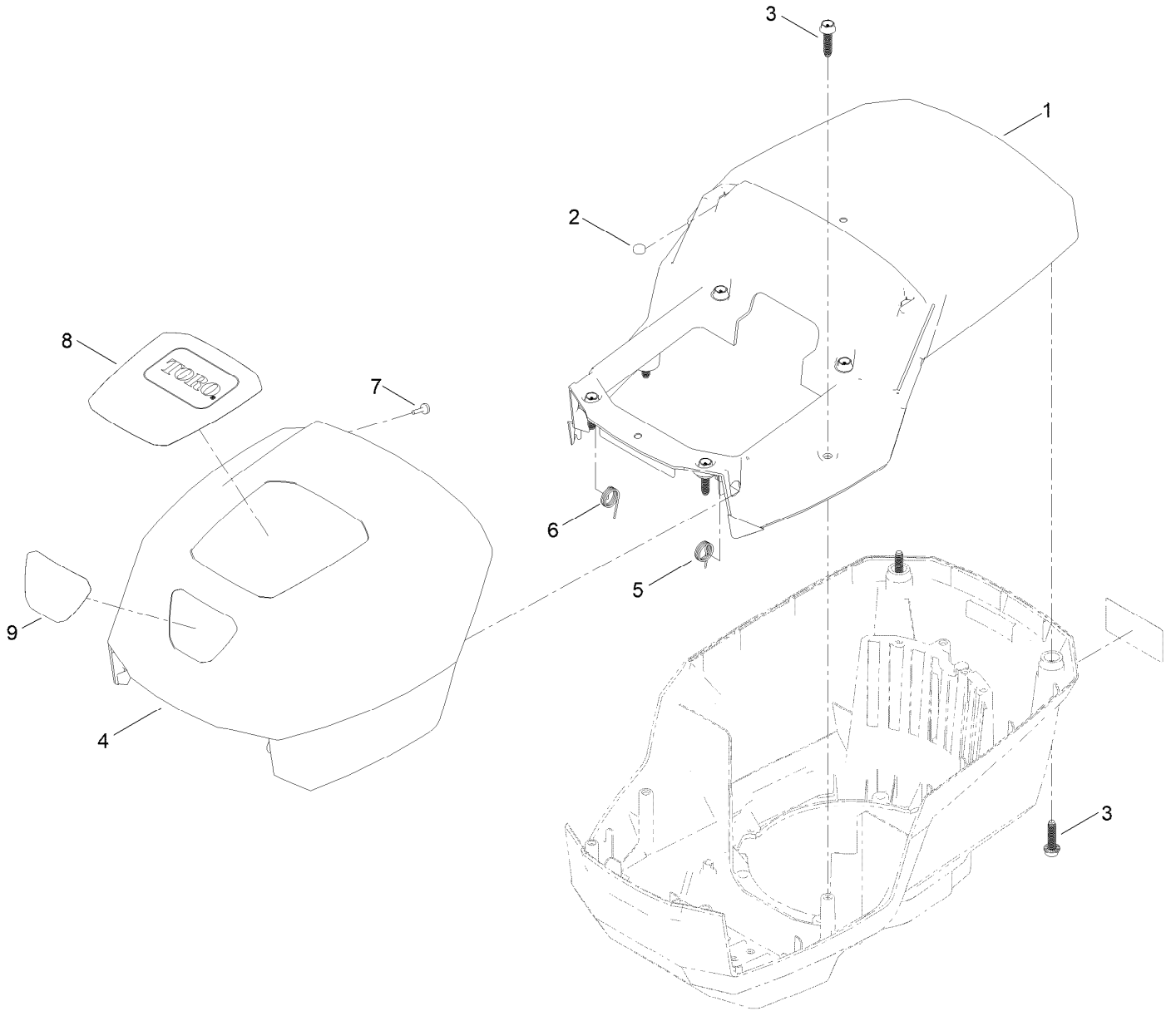
Motor Module Assembly No. 140-4120



Motor Module Assembly No. 140-4120 (continued)

<i>Ref.</i>	<i>Part Number</i>	<i>Qty.</i>	<i>Description</i>	<i>Ref.</i>	<i>Part Number</i>	<i>Qty.</i>	<i>Description</i>
1	139-6628	1	Base-Mount, Motor	10	140-4117	1	Controller-Motor [2 Spd]
2	140-4119	1	Motor-2Kw	11	139-6642	4	Screw
3	131-9732	3	Insert-Mount, Motor	12	139-6635	1	Bracket-Foam
4	137-4795	3	Screw	13	138-3273	1	Screw-Plastic, PPH
5	115-7373	4	Nut-Lock	14	139-6636	1	Foam
6	140-4118	1	Shroud-Lower	15	133-1918	1	Bail Switch ASM
7	139-6632	1	Battery Reciever ASM	15:4	104-6478	1	Spring-Extension
8	139-6633	1	Shroud-Motor	16	139-6637	1	Harness-Wire
9	130-6658	6	Screw-Flange, Plastic				

Motor Modual Assembly No. 140-4120

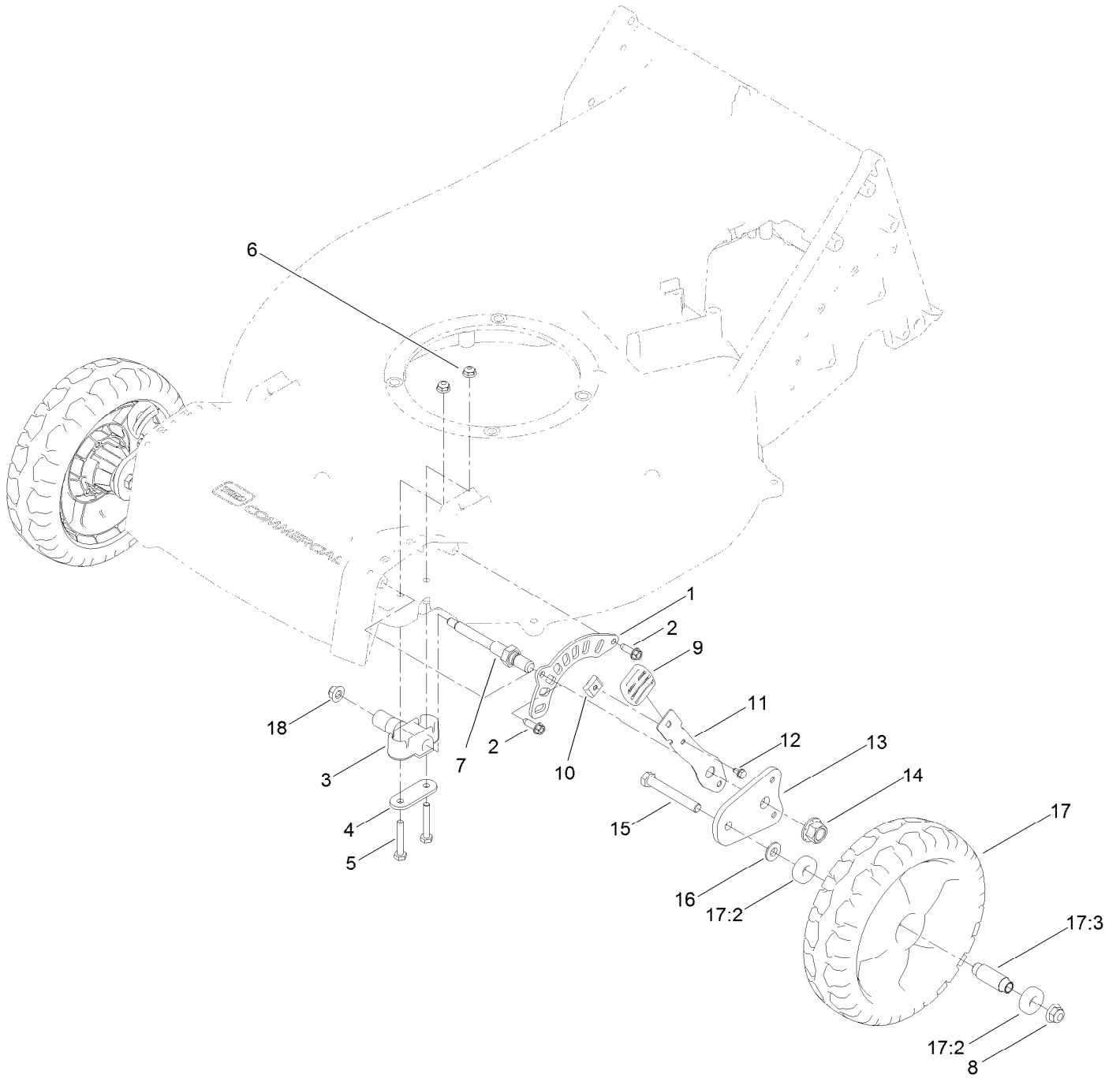


Motor Modual Assembly No. 140-4120 (continued)

<i>Ref.</i>	<i>Part Number</i>	<i>Qty.</i>	<i>Description</i>
1	140-3886	1	Shroud-Upper
2	114-5896	2	Magnet
3	130-6658	8	Screw-Flange, Plastic
4	139-6639	1	Hood
5	139-6640	1	Spring-LH

<i>Ref.</i>	<i>Part Number</i>	<i>Qty.</i>	<i>Description</i>
6	139-6641	1	Spring-RH
7	95-4234	2	Screw-PPH
8	140-4126	1	Decal-Hood, Top
9	140-4127	1	Decal-Hood, Front

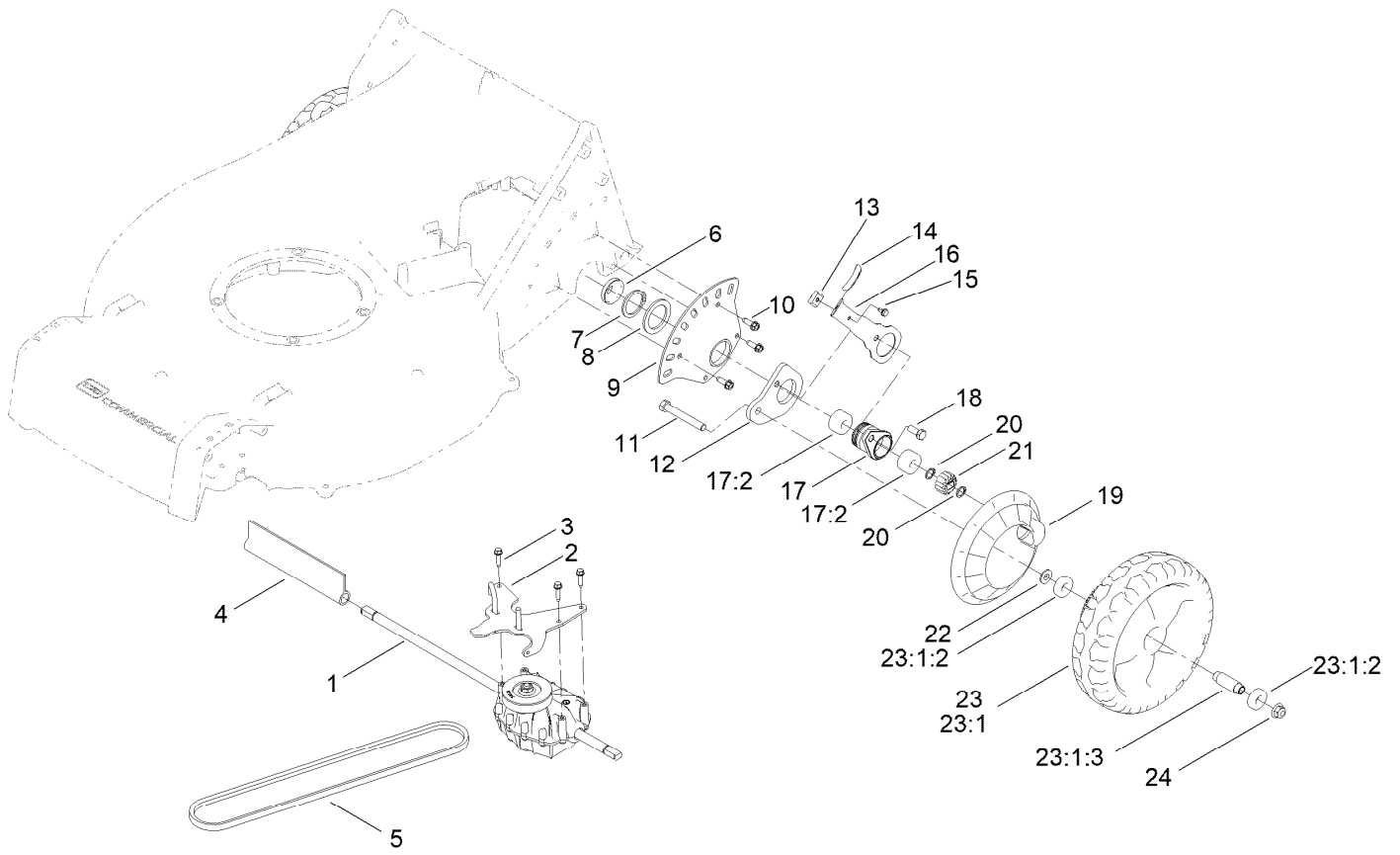
Front Wheel and Height-of-Cut Assembly



Front Wheel and Height-of-Cut Assembly (continued)

<i>Ref.</i>	<i>Part Number</i>	<i>Qty.</i>	<i>Description</i>	<i>Ref.</i>	<i>Part Number</i>	<i>Qty.</i>	<i>Description</i>
1	121-1439	2	Plate-HOC, Front	11	121-1431-03	2	Arm-Spring
2	49-2040	4	Screw-HWHTF	12	104-2065	2	Screw-HWH
3	136-5871	2	Bushing-Axle, Front (HOC)	13	130-6420	2	Arm-Pivot, Front
4	130-6434	2	Retainer-Bushing, Axle	14	99-5107	2	Nut-Lock
5	321-37	4	Screw-HH	15	323-13	2	Screw-HH
6	104-7201	4	Nut-HF	16	74-1671	2	Spacer-Cover, Wheel
7	133-2644	2	Axle-Front HOC	17	133-2639	2	Wheel
8	104-8301	2	Nut-HF, NI	17:2	133-2603	2	Bearing-Ball
9	125-1093	2	Knob-Lever, HOC	17:3	125-1077	1	Spacer
10	131-5377	2	Key-Arm, Spring	18	104-8300	2	Nut-HF, NI

Transmission and Rear Wheel Assembly

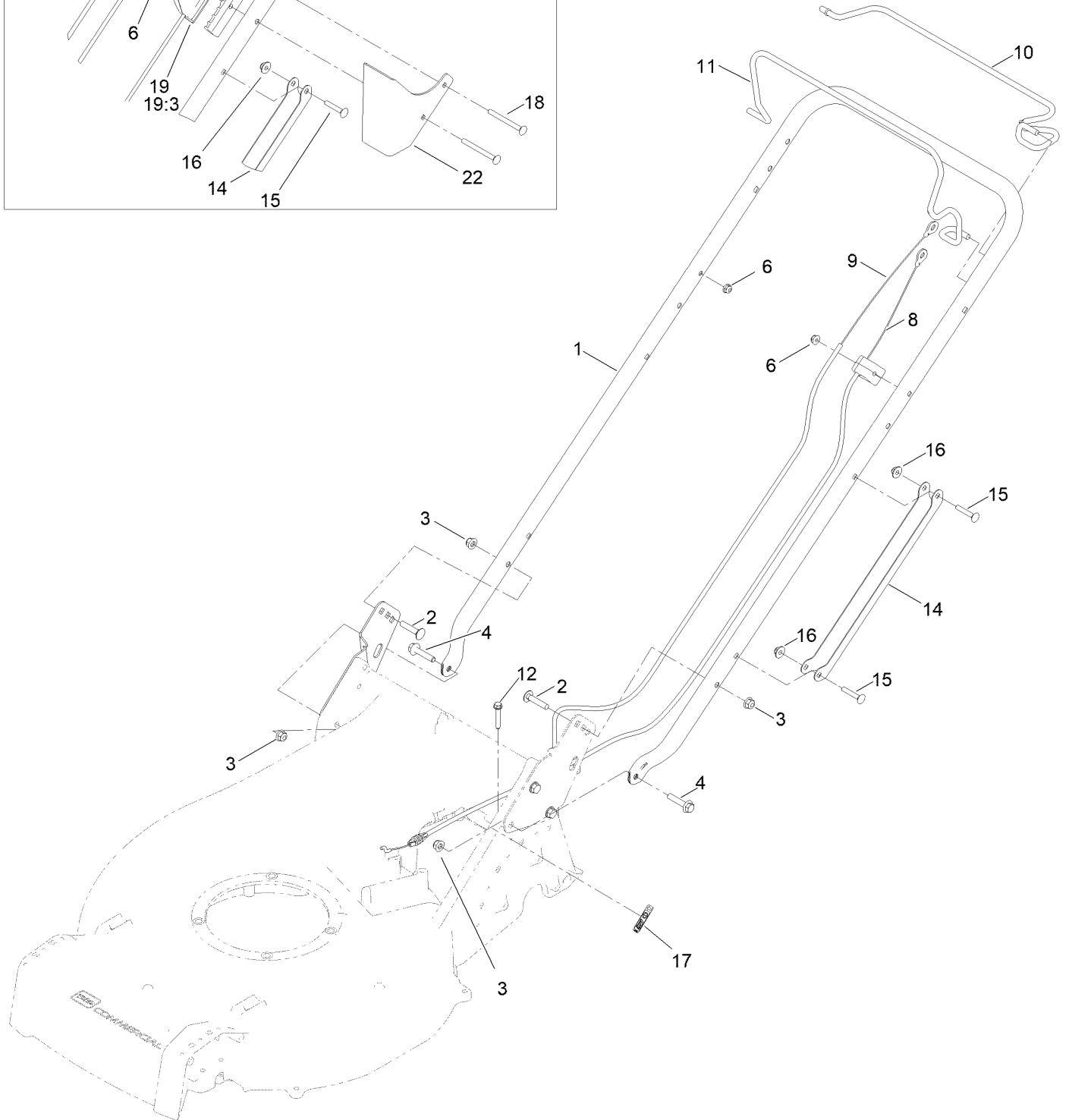
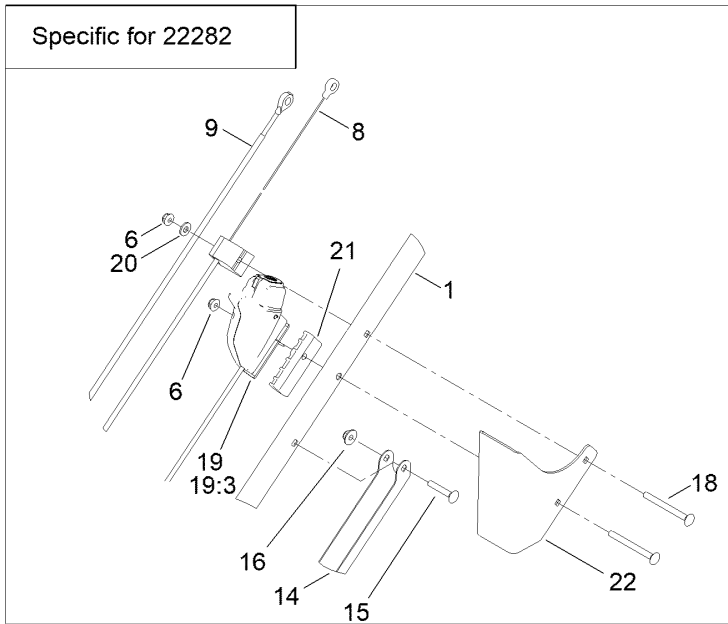


Transmission and Rear Wheel Assembly (continued)

<i>Ref.</i>	<i>Part Number</i>	<i>Qty.</i>	<i>Description</i>	<i>Ref.</i>	<i>Part Number</i>	<i>Qty.</i>	<i>Description</i>
1	140-4011	1	Transmission-HD	15	104-2065	2	Screw-HWH
2	140-4012-03	1	Belt Guide ASM	16	121-1448-03	2	Arm-Spring, Rear
3	27-0220	3	Screw-Special	17	136-5894	2	Bearing Retainer ASM
4	130-9681	1	Cover-Shaft, Transmission	17:2	133-2606	2	Bearing-Ball, Custom
5	125-8395	1	Belt-V	18	133-2668	2	Screw-HH
6	127-6848	2	Cover-Bearing	19	133-2635	2	Cover-Wheel
7	32151-10	2	Ring-Retaining	20	32151-61	4	Ring-Retaining
8	98-1452	2	Washer-Thrust	21	131-5399	2	Gear-Pinion, 15T
9	130-6422	2	Plate-HOC, Rear	22	74-1671	2	Spacer-Cover, Wheel
10	49-2040	6	Screw-HWHTF	23	133-2640	2	9-Inch Wheel ASM
11	323-13	2	Screw-HH	23:1		1	Wheel ●
12	133-2641	2	Arm-Pivot, Rear	23:1:2	133-2603	2	Bearing-Ball
13	131-5377	2	Key-Arm, Spring	23:1:3	125-1077	1	Spacer
14	125-1093	2	Knob-Lever, HOC	24	104-8301	2	Nut-HF, NI

● Not serviced separately

Handle Assembly



Handle Assembly (continued)

<i>Ref.</i>	<i>Part Number</i>	<i>Qty.</i>	<i>Description</i>	<i>Ref.</i>	<i>Part Number</i>	<i>Qty.</i>	<i>Description</i>
1	137-4817-03	1	Handle	14	127-6897-03	1	Guard-Cable, Handle
2	3230-4	2	Bolt-CARR	15	108-0988	2	Screw-CARR
3	104-8300	4	Nut-HF, NI	16	114-3778	2	Nut-HF
4	115-1794	2	Screw-HHF	17	131-0822	1	Decal
6	104-7201	2	Nut-HF	18	137-9142	2	Screw-CARR
8	140-4093	1	Cable-Brake, 60V	19	140-3891	1	Starter Switch ASM
9	140-4112	1	Cable-Traction	19:3	140-4231	1	Starter Button Service ASM
10	125-8437-03	1	Bail-Traction	20	3256-22	1	Washer-Flat
11	125-8436-03	1	Bail-Brake	21	140-4148	1	Spacer-Housing, Switch
12	94-2691	1	Screw-HWH	22	140-4168-03	1	Guard-Housing, Switch

Attachments and Accessories

For 22282 Heavy-Duty 60V 21in Recycler/Rear Bagger Lawn Mower

Product Name	Model/Part
Blade-Bagging, 21in	125-1072-03
Cup-Anti Scalp.....	125-8440
Rear Discharge Kit.....	130-9734
60V Brushless Blower (Bare Tool)	51825T
60V Brushless Trimmer (Bare Tool)	51835T
60V LI-ION Battery 6.0 AH.....	88660
60V LI-ION Battery 7.5 AH.....	88675
60V Battery Charger 2 AMP	88602
60V Cordless Trimmer (Bare Tool).....	51830T
60V Cordless Blower (Bare Tool).....	51820T

Notes:

Notes:

Notes:



Count on it.