



Count on it.

Parts Catalog

**Z Master® Professional 7500-D
Series Riding Mower**

**With 96in TURBO FORCE® Rear Discharge
Mower**

Model No. 74096—Serial No. 403247447 and Up



Ordering Replacement Parts

To order replacement parts, please supply the part number, the quantity, and the description of each part desired.

Understanding Reference Numbers

Each identified part in an illustration has a reference number. The reference number for a part also appears in the parts list, along with other information about the part.

This catalog uses two special reference number formats, one to indicate parts in a service assembly and another to indicate the quantity of a given part in an illustration.

Service Assembly Reference Numbers

Parts in service assemblies have reference numbers in the form a:b. The a represents the reference number of the entire service assembly and the b represents a sequential number unique to each part within the service assembly.

For example, a wheel assembly might be identified by reference number 6, the tire by 6:1, the valve by 6:2, and the wheel by 6:3. When you order the assembly identified by reference number 6, you receive all parts identified by reference numbers 6:1, 6:2, and 6:3. However, you may also order any part individually. Reference numbers of this type appear in illustration and in parts lists.

Reference Numbers Indicating Quantity

In an illustration, if a reference number indicates more than one part, the reference number has the form nX y. The n represents the quantity of the part, the X is the multiplication symbol, and the y represents the reference number.

For example, in an illustration, the reference number 2X 37 means that two of the parts identified by reference number 37 are indicated.

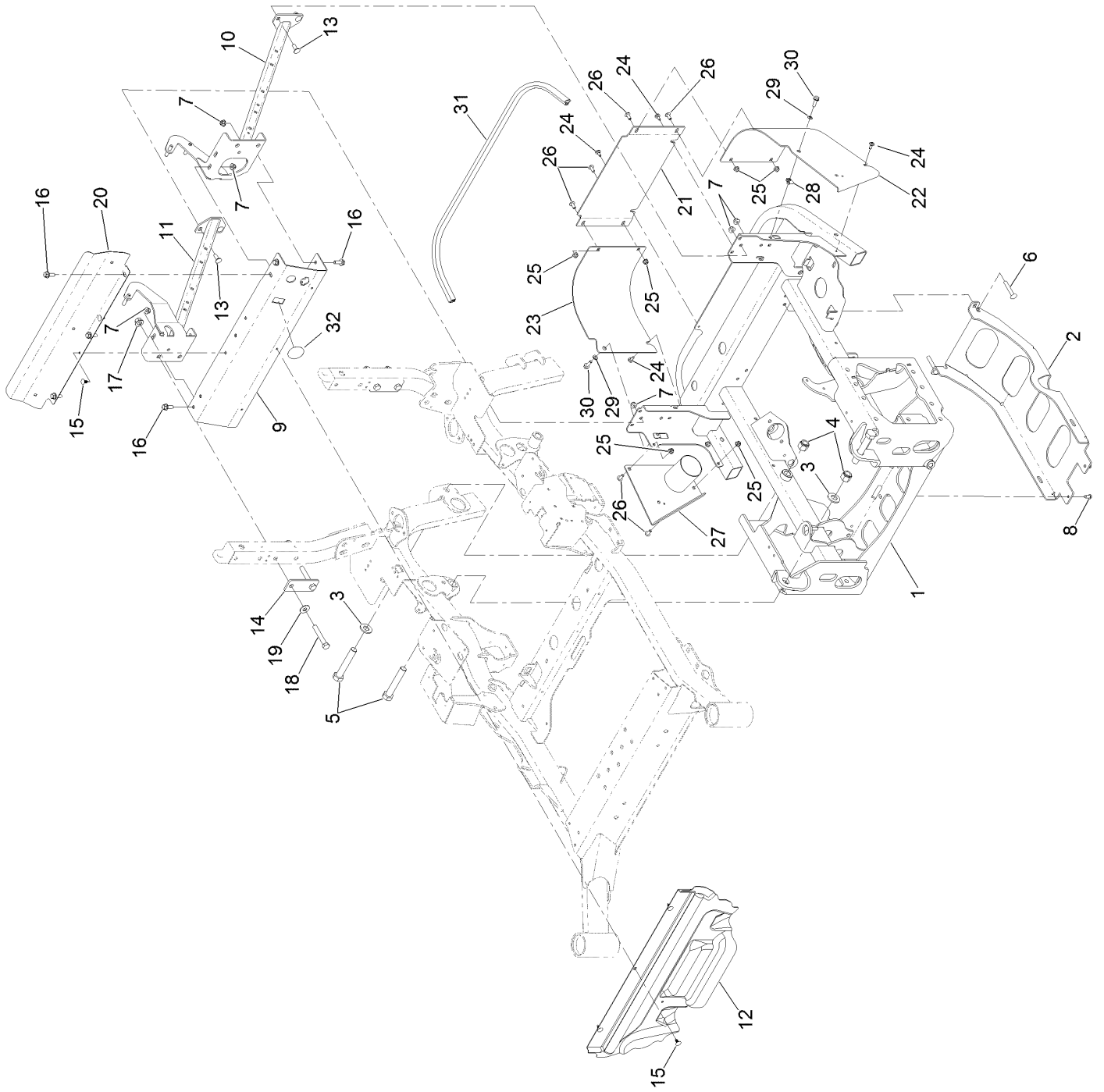
Contents

Power Frame Assembly	6
Main Frame and Roll-Over Protection System Assembly	8
Roll-Over Protection System Assembly No. 135-5786	10
Hydraulic Drive Assembly	12
Hydraulic Assembly	14
Hydraulic Reservoir Assembly No. 126-6764	16
Rear Wheel and Caster Wheel Assembly	18
Caster Wheel Assembly	20
Parking Brake Assembly	22
Fuel System Assembly	24
RH Fuel Tank Assembly No. 126-8651	26
LH Fuel Tank Assembly No. 126-8652	28
Seat Mount Assembly	30
Seat Assembly No. 125-3107	32
Motion Control Assembly	34
Rod Linkage Assembly	36
Electrical Assembly	38
Wire Harness Assembly No. 126-7352	40
Deck Lift Assembly	42
Hydraulic Lift and Fold Assembly	44
Engine and Air Cleaner Assembly	46
Air Cleaner Assembly No. 126-7646	48
Hood and Tank Cover Assembly	50
Hood Assembly	52
Transmission Assembly	54
Charge Pump Housing Assembly Transmission Assembly No. 131-5510	56
Center Section Assembly Transmission Assembly No. 131-5510	58
Gear Case and Clutch Assembly Transmission Assembly No. 131-5510	60
Hydraulic Gear Pump Assembly No. 112-9542	62
Cooling Assembly	64
Cooling Assembly No. 121-3330	66
Center Deck Assembly	68
Driveshaft Assembly No. 110-3575	70
Idler Arm Assembly No. 126-2585	72
Gear Box and Mount Assembly No. 126-2951	74
Gearbox Assembly No. 130-8659	76
Idler Assembly No. 126-9435	78
Idler Assembly No. 126-9438	80
Folding Deck Hydraulic Assembly	82
Center Deck Guard Assembly	84
Center Deck Spindle, Blade and Baffle Assembly	86
Spindle Assembly No. 127-0560	88
RH Wing Deck Assembly	90
Caster Fork and Wheel Assembly	92
LH Wing Deck Assembly	94
Rear Caster Wheel Assembly	96
Discharge Tunnel Assembly	98
Cylinder Block Assembly	100
Gear Housing Assembly	102
Flywheel Housing and Oil Sump Assembly	104
Cylinder Head and Cover Assembly	106
Suction Manifold Assembly	108
Exhaust Manifold Assembly	110
Diesel Particulate Filter Assembly	112

Contents (continued)

Camshaft and Driving Gear Assembly	114
Crankshaft and Piston Assembly	116
Oil Pump Assembly	118
Cooling Water System Assembly	120
Fuel Supply Pump Assembly	122
Fuel Injection Valve Assembly	124
Fuel Line Assembly	126
Starting Motor Assembly	128
Generator Assembly	130
Electronic Control Unit Assembly	132
Electric Parts Assembly	134
Fuel Pump Assembly	136
Gasket Set	138
Attachments and Accessories	140

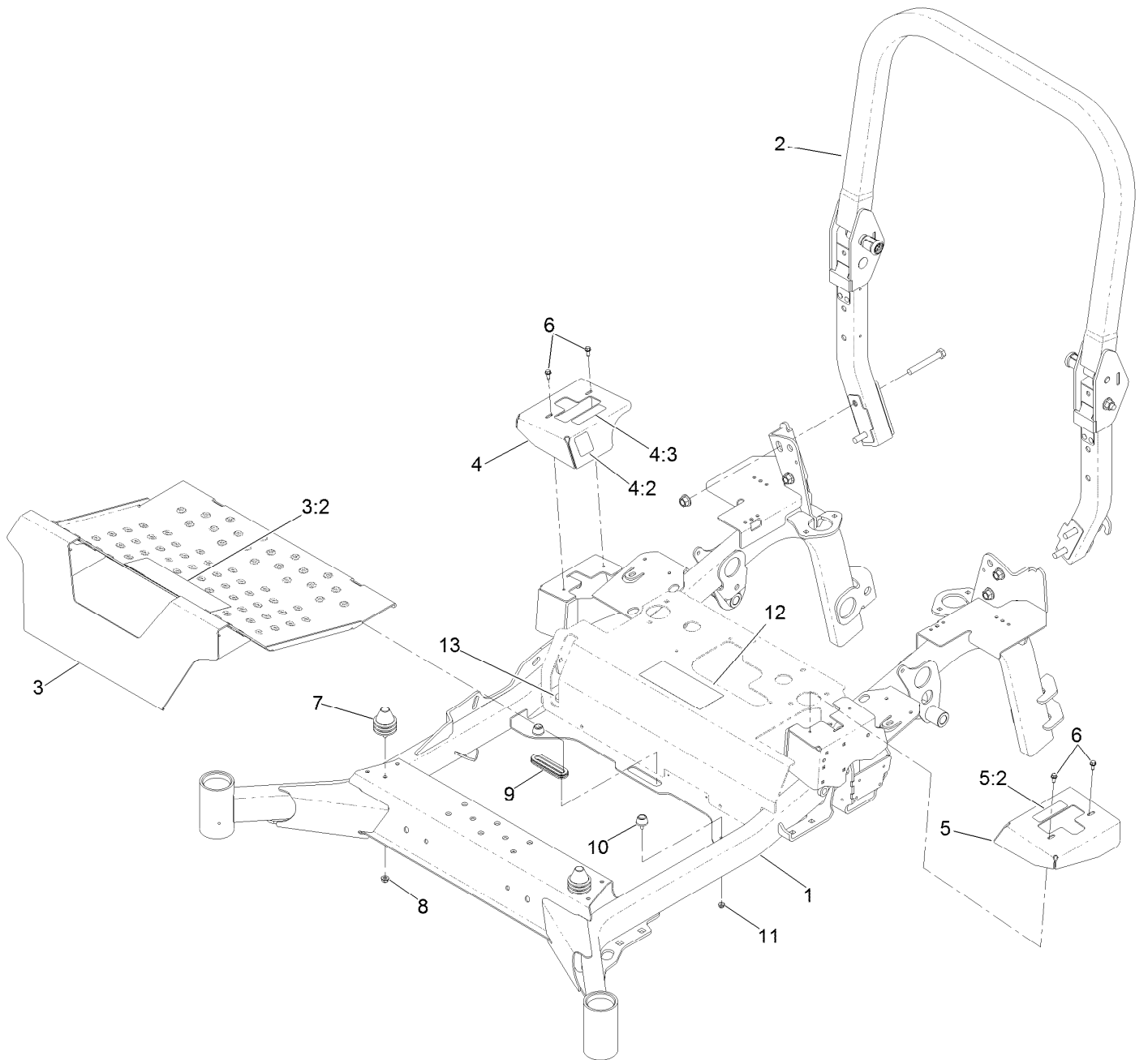
Power Frame Assembly



Power Frame Assembly (continued)

<i>Ref.</i>	<i>Part Number</i>	<i>Qty.</i>	<i>Description</i>	<i>Ref.</i>	<i>Part Number</i>	<i>Qty.</i>	<i>Description</i>
1	126-5929-03	1	Frame-Power	17	99-5107	4	Nut-Lock
2	126-5922-03	1	Plate-Skid	18	112-7264	4	Screw-HH
3	103-2802	4	Washer	19	109-9505	4	Washer-Spring
4	3296-51	4	Nut-Lock, NI	20	126-6557-03	1	Shield-Air
5	328-8	4	Screw-HH	21	126-8954-03	1	Plate-Bumper, Center
6	3231-44	2	Screw-CARR	22	126-8952-03	1	Plate-Bumper, LH
7	104-8301	13	Nut-HF, NI	23	126-8953-03	1	Plate-Bumper, RH
8	613381	2	Screw-BHTF	24	120-7950	4	Screw-Torx
9	126-8567-03	1	Channel-Cross	25	104-8300	7	Nut-HF, NI
10	126-8563-03	1	Brace-ROPS, LH	26	126-6268	7	Screw-Torx
11	126-8565-03	1	Brace-ROPS, RH	27	135-0880	1	Plate-Exhaust
12	126-7458	1	Panel-Deflector, Heat	28	112-3306	2	Nut
13	3231-22	4	Screw-CARR	29	3290-475	2	Washer-Belleville
14	135-0412-03	2	Plate-Spacer	30	3234-29	2	Screw-HHF
15	117-2382	5	Plug-Plastic	31	126-6845	1	Seal-Bulb
16	131-2220	7	Screw-HHF	32	135-3728	1	Decal-Cover

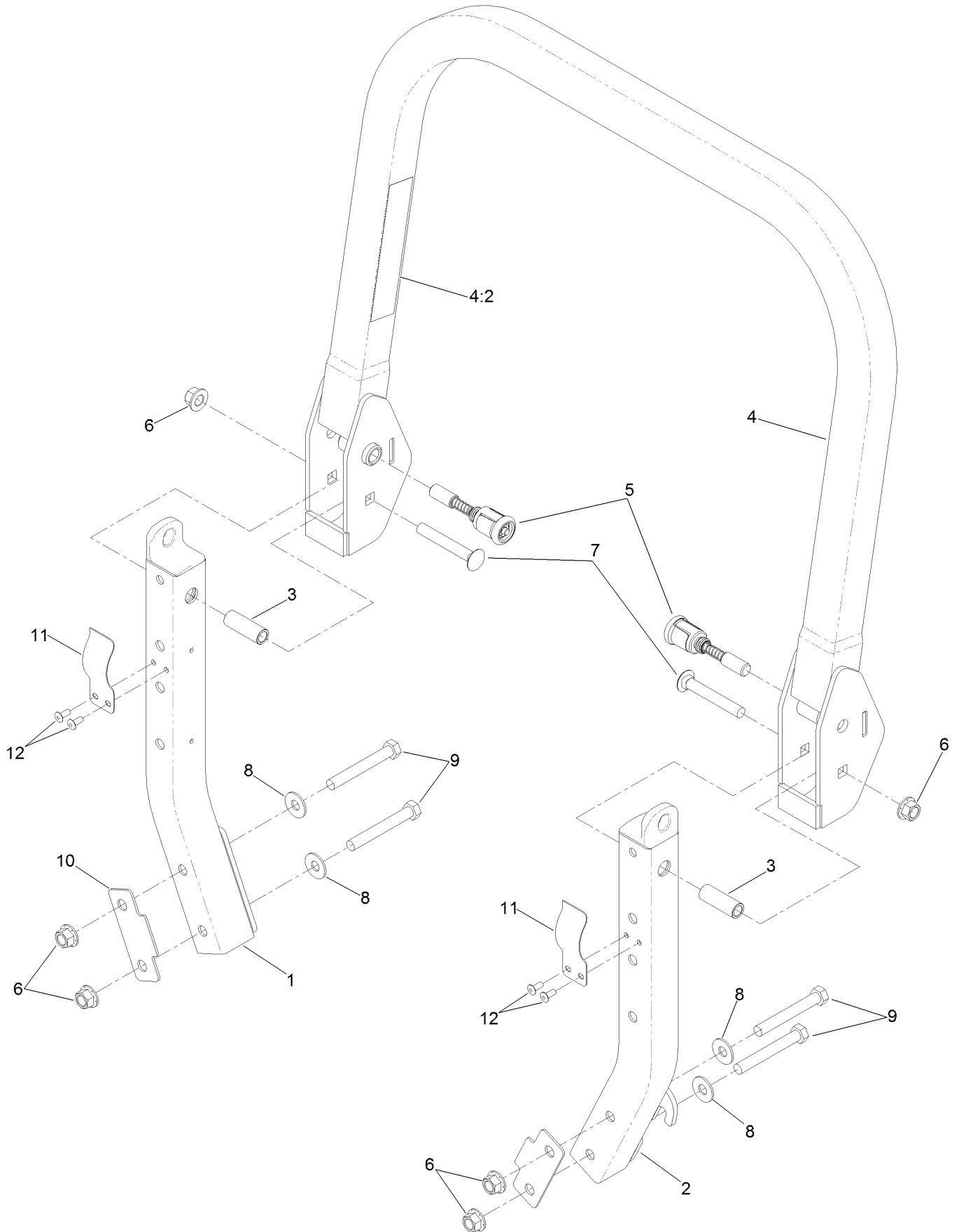
Main Frame and Roll-Over Protection System Assembly



Main Frame and Roll-Over Protection System Assembly (continued)

<i>Ref.</i>	<i>Part Number</i>	<i>Qty.</i>	<i>Description</i>	<i>Ref.</i>	<i>Part Number</i>	<i>Qty.</i>	<i>Description</i>
1	126-7749-01	1	Frame-Main	6	32144-10	4	Screw-HWH
2	135-5786	1	ROPS ASM	7	126-5491	2	Isolator
3	126-1821	1	Cover-Motion Control, LH	8	104-8300	2	Nut-HF, NI
3:2	126-8383	1	Decal-Danger	9	126-7065	1	Grommet-Rubber
4	126-1831	1	Cover-Motion Control, RH	10	109-2365	2	Bumper-Rubber
4:2	99-8936	1	Decal-Control, Motion	11	104-7201	2	Nut-HF
4:3	116-5988	1	Decal-Park Brake, CE	12	126-9947	1	Decal-Service Aid
5	126-1821	1	Cover-Motion Control, LH	13	109-9233	1	Bumper-Push-In, Rubber
5:2	99-8936	1	Decal-Control, Motion				

Roll-Over Protection System Assembly No. 135-5786

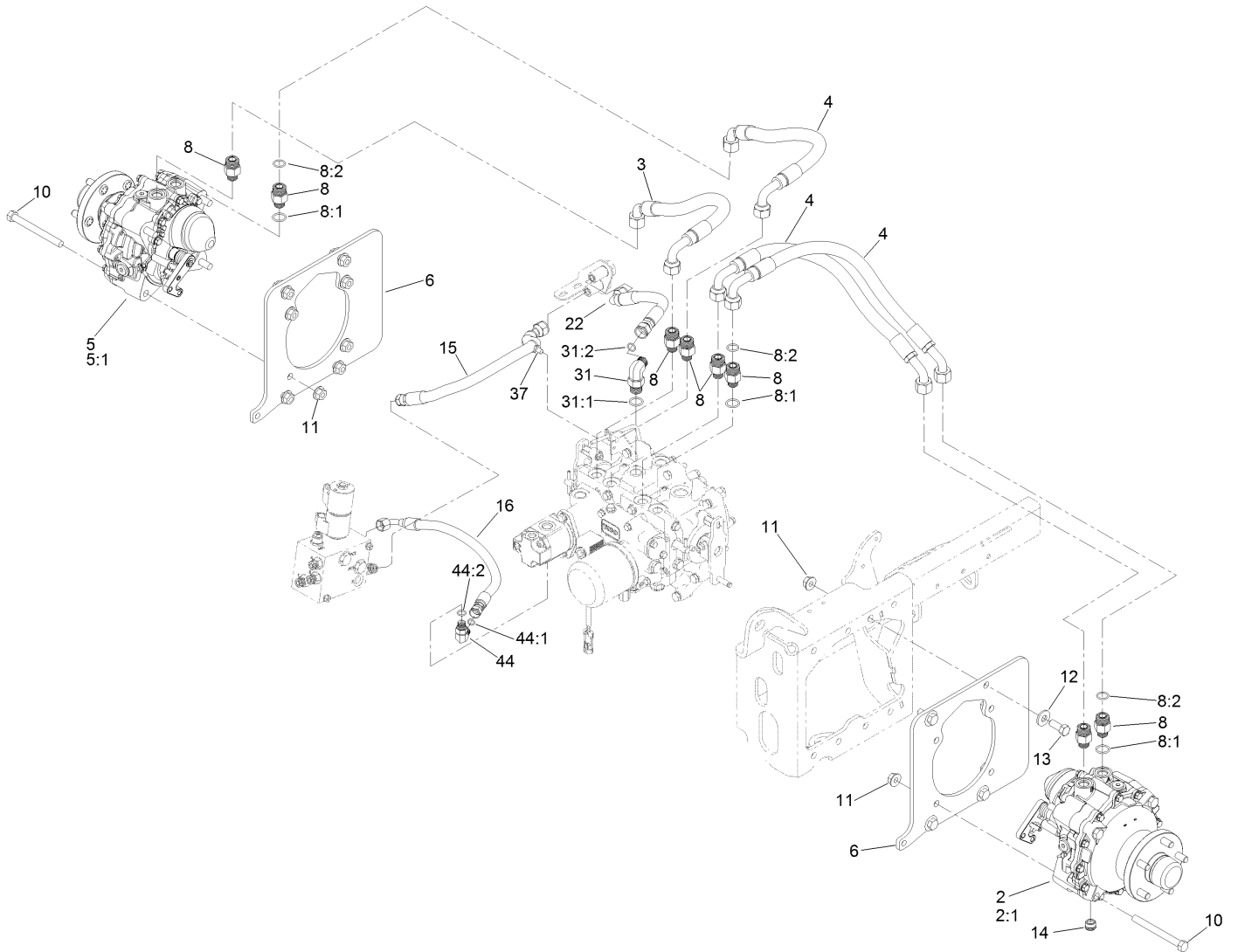


Roll-Over Protection System Assembly No. 135-5786 (continued)

<i>Ref.</i>	<i>Part Number</i>	<i>Qty.</i>	<i>Description</i>	<i>Ref.</i>	<i>Part Number</i>	<i>Qty.</i>	<i>Description</i>
1		1	Lower-ROPS, RH ●	7	3233-10	2	Screw-CARR
2		1	Lower-ROPS, LH ●	8	109-9505	4	Washer-Spring
3	109-6653	2	Spacer	9	325-35	4	Screw-HH
4	126-7085	1	ROPS Upper ASM	10	116-0960	2	Spacer
4:2	107-3069	1	Decal-Warning	11	110-5696	2	Spring-Leaf
5	116-0104	2	Pin-Spring	12	3290-412	4	Rivet-Blind
6	99-5107	6	Nut-Lock				

● Not serviced separately

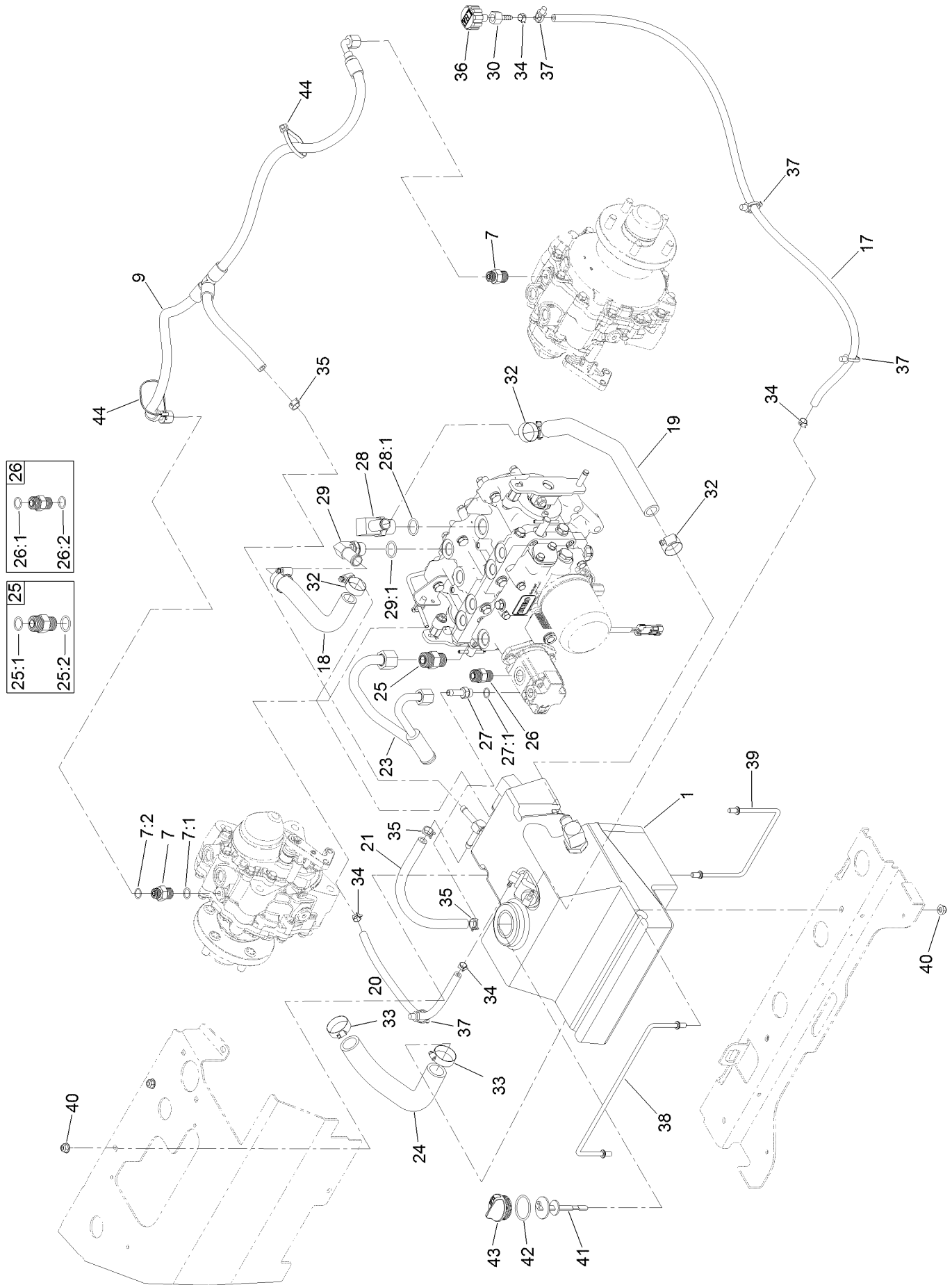
Hydraulic Drive Assembly



Hydraulic Drive Assembly (continued)

<i>Ref.</i>	<i>Part Number</i>	<i>Qty.</i>	<i>Description</i>	<i>Ref.</i>	<i>Part Number</i>	<i>Qty.</i>	<i>Description</i>
2	126-8134	1	Motor-HYD, LH	13	325-5	8	Screw-HH
2:1	135-5333	1	5 Stud Wheel Hub Kit	14	126-8282	2	Plug-Magnetic
3	126-8686	1	Hose ASM	15	126-8685	1	Hose ASM
4	126-8687	3	Hose ASM	16	126-8684	1	Hose ASM
5	126-8133	1	Motor-HYD, RH	22	126-8682	1	Hose ASM
5:1	135-5333	1	5 Stud Wheel Hub Kit	31	340-105	1	Fitting-Elbow, 90 DEG
6	135-1202-03	2	Plate-Motor	31:1	237-80	1	O-Ring
8	340-155	8	Fitting-Straight	31:2	237-30	1	O-Ring
8:1	237-79	1	O-Ring	37	32180-030	1	Clip-Tie
8:2	237-151	1	O-Ring	44	340-77	1	Fitting-Elbow, 90 DEG
10	325-19	8	Screw-HH	44:1	237-22	1	O-Ring
11	32128-49	16	Nut-HHF	44:2	237-42	1	O-Ring
12	1-513435	8	Washer-Spring				

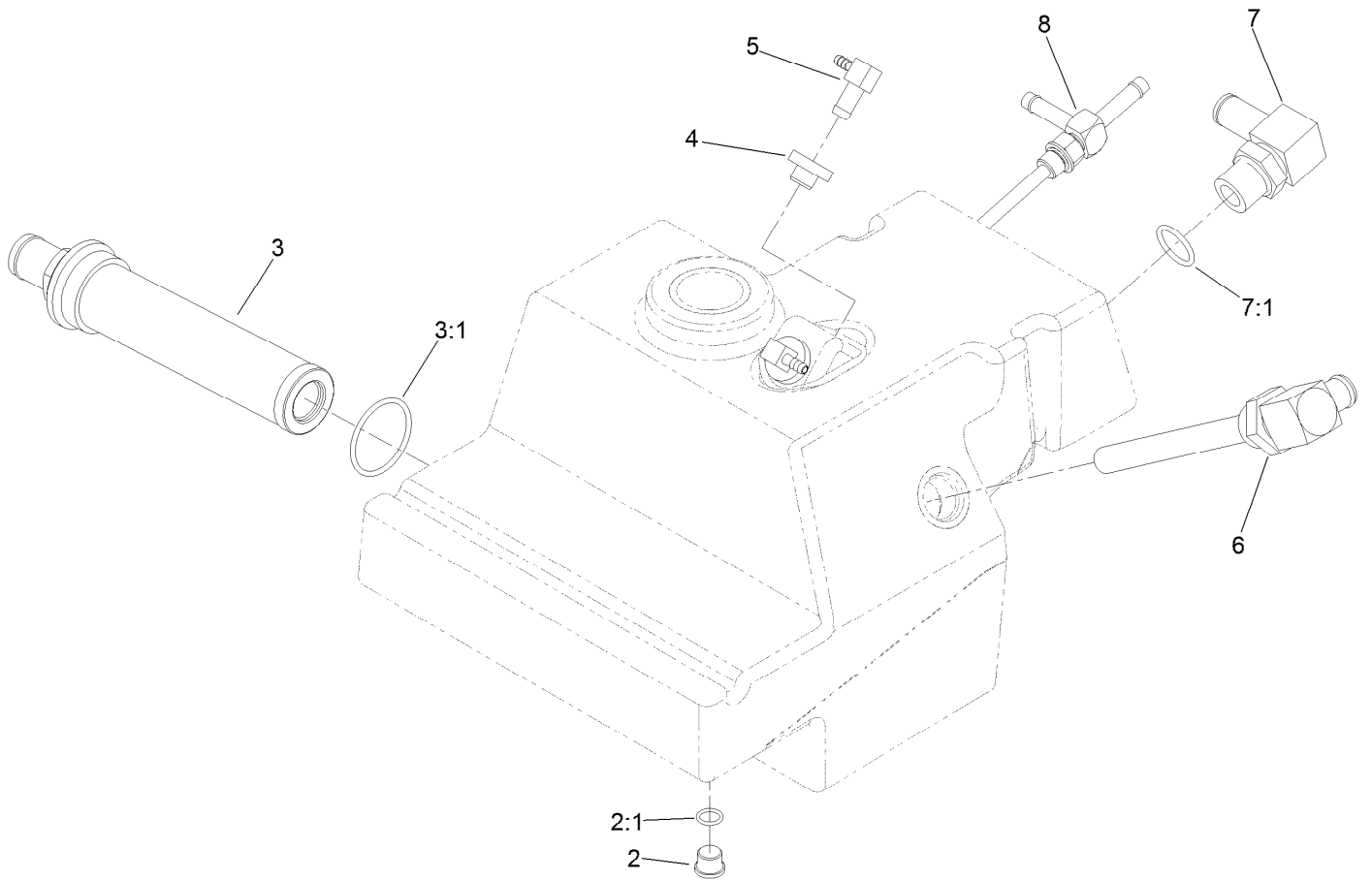
Hydraulic Assembly



Hydraulic Assembly (continued)

<i>Ref.</i>	<i>Part Number</i>	<i>Qty.</i>	<i>Description</i>	<i>Ref.</i>	<i>Part Number</i>	<i>Qty.</i>	<i>Description</i>
1	126-6764	1	HYD Reservoir ASM	27:1	237-42	1	O-Ring
7	340-3	2	Fitting-Straight	28	353-987	1	Fitting-Elbow, 90
7:1	237-22	1	O-Ring	28:1	237-81	1	O-Ring
7:2	237-79	1	O-Ring	29	87-8170	1	Fitting-90
9	135-3731	1	Tee Hose ASM	29:1	237-80	1	O-Ring
17	126-6776	1	Hose	30	354-95	1	Fitting-Straight
18	126-6767	1	Hose-Return	32	2412-129	4	Clamp-Hose
19	126-6768	1	Hose-Return	33	2412-34	2	Clamp-Hose
20	126-6778	1	Hose	34	2412-98	4	Clamp-Hose
21	126-6766	1	Hose	35	103-1988	3	Clamp-Hose
23	126-8688	1	Tube ASM	36	68-6150	1	Breather
24	126-6774	1	Hose-Suction	37	32180-030	4	Clip-Tie
25	340-7	1	Fitting-Straight	38	126-7547	1	Rod-Support, HYD Tank
25:1	237-65	1	O-Ring	39	126-7546	1	Rod-Support, HYD Tank
25:2	237-80	1	O-Ring	40	104-8300	4	Nut-HF, NI
26	340-4	1	Fitting-Straight	41	112-6365	1	Dipstick
26:1	237-30	1	O-Ring	42	94-8166	1	O-Ring
26:2	237-79	1	O-Ring	43	93-7498	1	Plug-Plastic
27	103-1912	1	Adapter-Straight	44	1-303335	2	Tie-Plastic

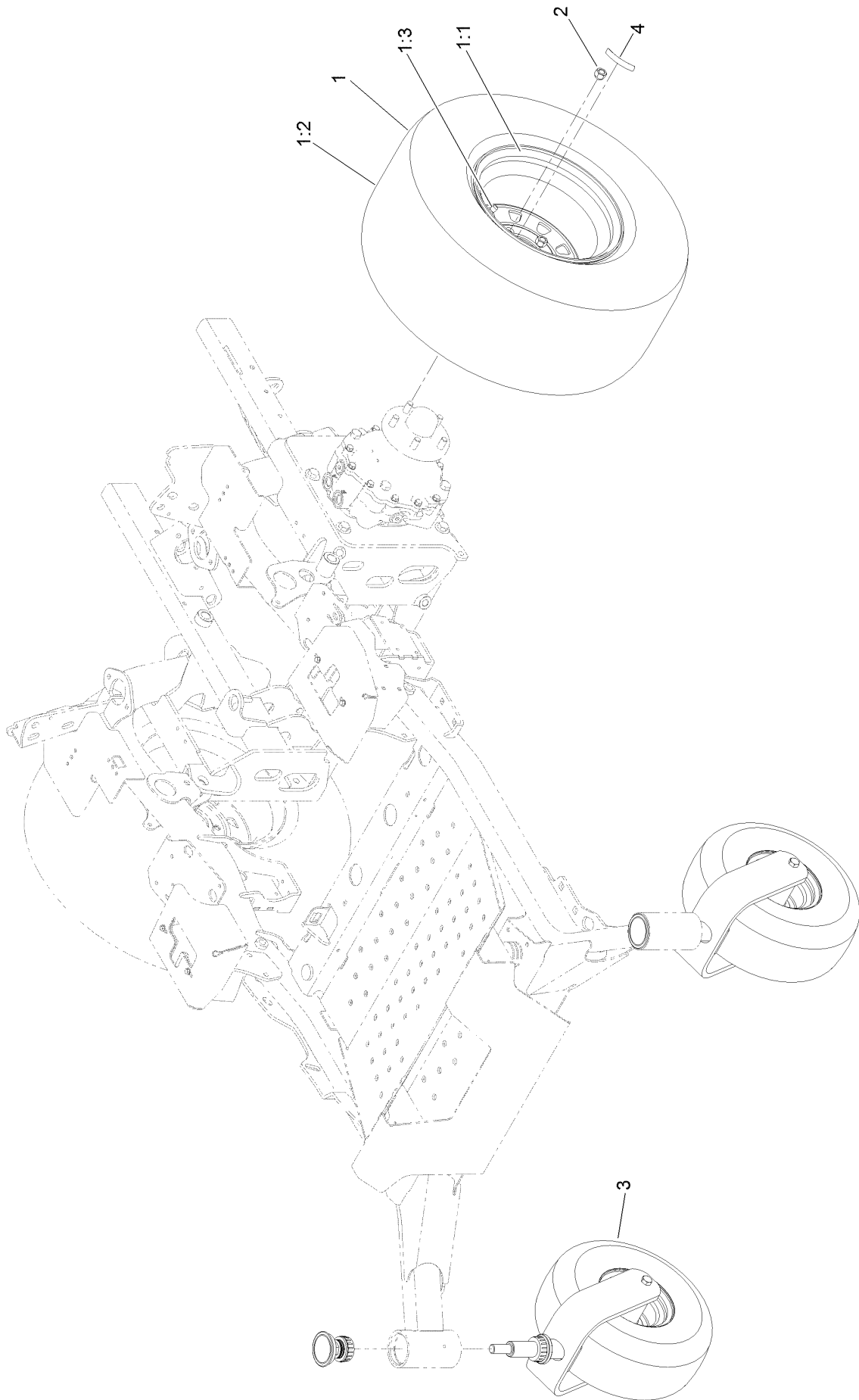
Hydraulic Reservoir Assembly No. 126-6764



Hydraulic Reservoir Assembly No. 126-6764 (continued)

<i>Ref.</i>	<i>Part Number</i>	<i>Qty.</i>	<i>Description</i>	<i>Ref.</i>	<i>Part Number</i>	<i>Qty.</i>	<i>Description</i>
2	353-989	1	Plug-Hex, Hollow	5	104-5228	2	Fitting-Elbow, 90 DEG
2:1	237-42	1	O-Ring	6	126-6782	1	Fitting-Standpipe
3	104-7546	1	Tank Strainer ASM	7	353-987	1	Fitting-Elbow, 90
3:1	340-136	1	O-Ring	7:1	237-81	1	O-Ring
4	46-6560	2	Bushing	8	135-3740	1	Fitting-Tee, Drop Tube

Rear Wheel and Caster Wheel Assembly

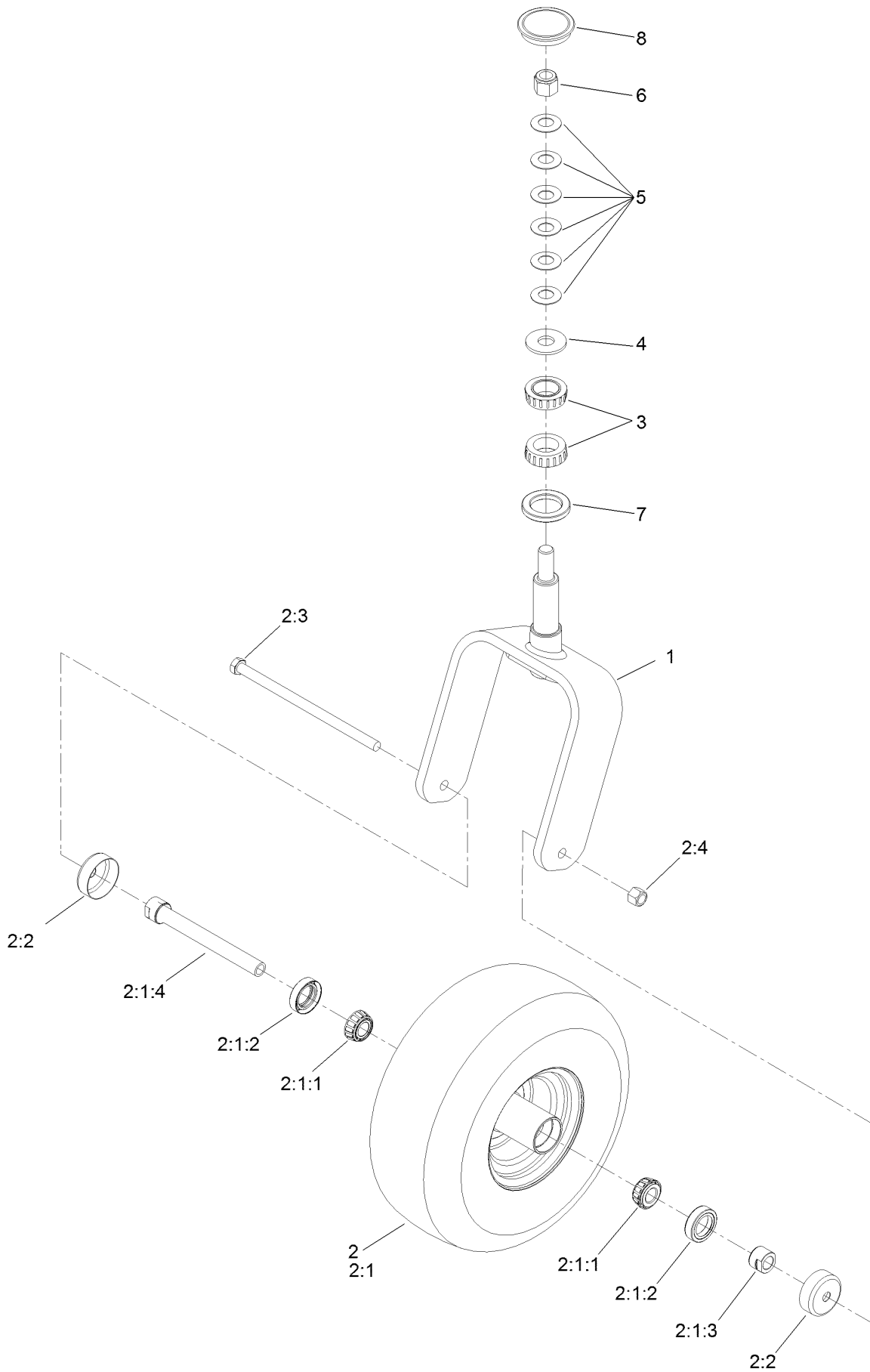


Rear Wheel and Caster Wheel Assembly (continued)

<i>Ref.</i>	<i>Part Number</i>	<i>Qty.</i>	<i>Description</i>	<i>Ref.</i>	<i>Part Number</i>	<i>Qty.</i>	<i>Description</i>
1	126-7736	2	Tire ASM	2	242-50	10	Nut-Lug
1:1	126-8032	1	Rim	3		2	Caster Wheel ASM ●
1:2	126-8033	1	Tire	4	135-0328	2	Decal-Torque, Wheel Nut
1:3	232-27	1	Stem-Valve				

● Not serviced separately

Caster Wheel Assembly

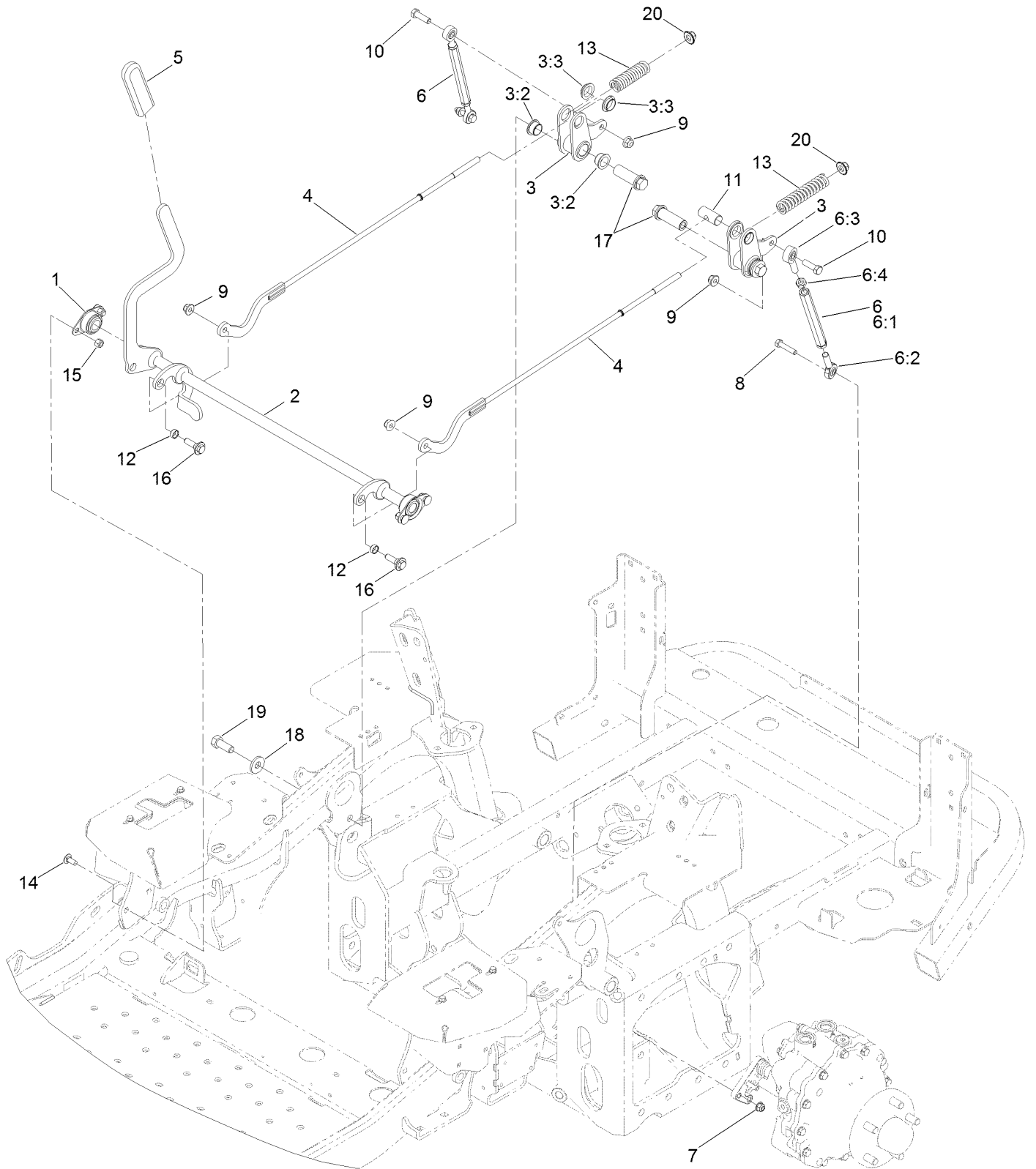


Caster Wheel Assembly (continued)

<i>Ref.</i>	<i>Part Number</i>	<i>Qty.</i>	<i>Description</i>	<i>Ref.</i>	<i>Part Number</i>	<i>Qty.</i>	<i>Description</i>
1	126-8601-01	1	Fork-Caster	2:3	325-39	1	Screw-HH
2	126-9344	1	Wheel And Tire ASM	2:4	3296-23	1	Nut-Lock, NI
2:1		1	Tire And Wheel ASM ●	3	103-9028	2	Bearing-Roller, Cone Taper
2:1:1	1-633585	2	Bearing-Cone, Taper	4	3256-8	1	Washer-Flat
2:1:2	103-0063	2	Seal-Caster	5	1-633508	6	Washer-Bellville
2:1:3	103-3051	1	Spacer-Nut	6	3296-51	1	Nut-Lock, NI
2:1:4	126-5361	1	Axle Caster ASM	7	135-0355	1	Seal-Grease
2:2	103-2768	2	Guard-Seal	8	126-9369	1	Cap-Grease

● Not serviced separately

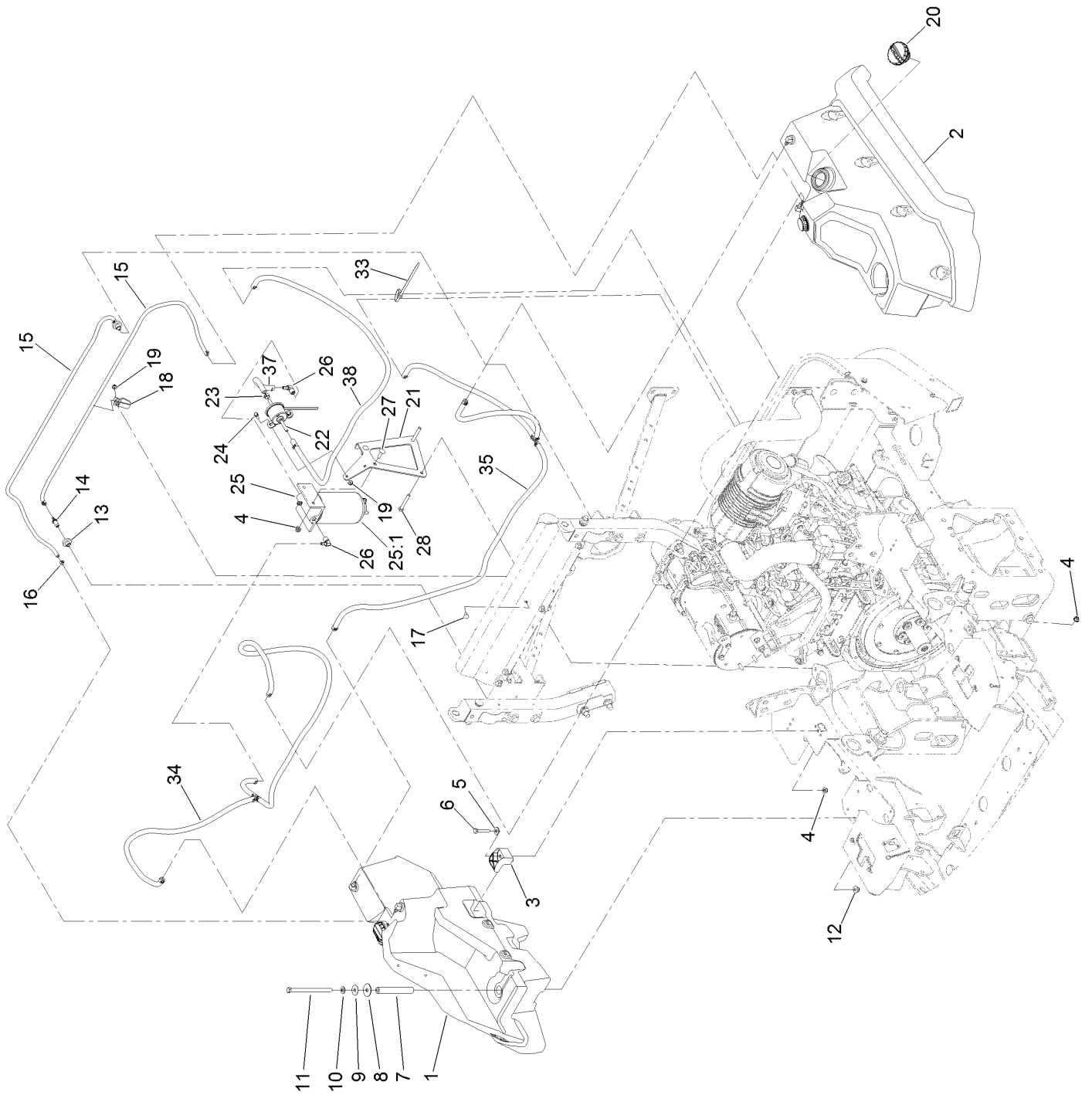
Parking Brake Assembly



Parking Brake Assembly (continued)

<i>Ref.</i>	<i>Part Number</i>	<i>Qty.</i>	<i>Description</i>	<i>Ref.</i>	<i>Part Number</i>	<i>Qty.</i>	<i>Description</i>
1	1-633102	2	Bearing-Flange, Side	8	322-7	2	Screw-HH
2	126-2019	1	Shaft-Brake	9	104-8301	4	Nut-HF, NI
3	126-3010	2	Brake Bellcrank ASM	10	323-7	2	Screw-HH
3:2	109-8054	2	Bushing-Flange	11	1-633144	2	Pin-Trunion
3:3	135-2840	2	Bushing-Flange	12	133-5109	2	Bearing-Sleeve
4	126-3193	2	Link-Brake, Upper	13	109-2230	2	Spring-Compression
5	1-633268	1	Grip-Lever	14	3230-23	4	Screw-CARR
6	126-9171	2	Turnbuckle ASM	15	3296-29	4	Nut-Lock, NI
6:1	126-9172	1	Turnbuckle	16	614672	2	Screw-Shoulder, HWH
6:2	126-9302	1	Bearing-End, LH Rod	17	109-5891	2	Hub-Threaded
6:3	1-613204	1	Balljoint	18	1-513435	2	Washer-Spring
6:4	3220-3	1	Nut-HJ	19	325-5	2	Screw-HH
7	104-8300	2	Nut-HF, NI	20	109-6658	2	Nut-Flange, NI

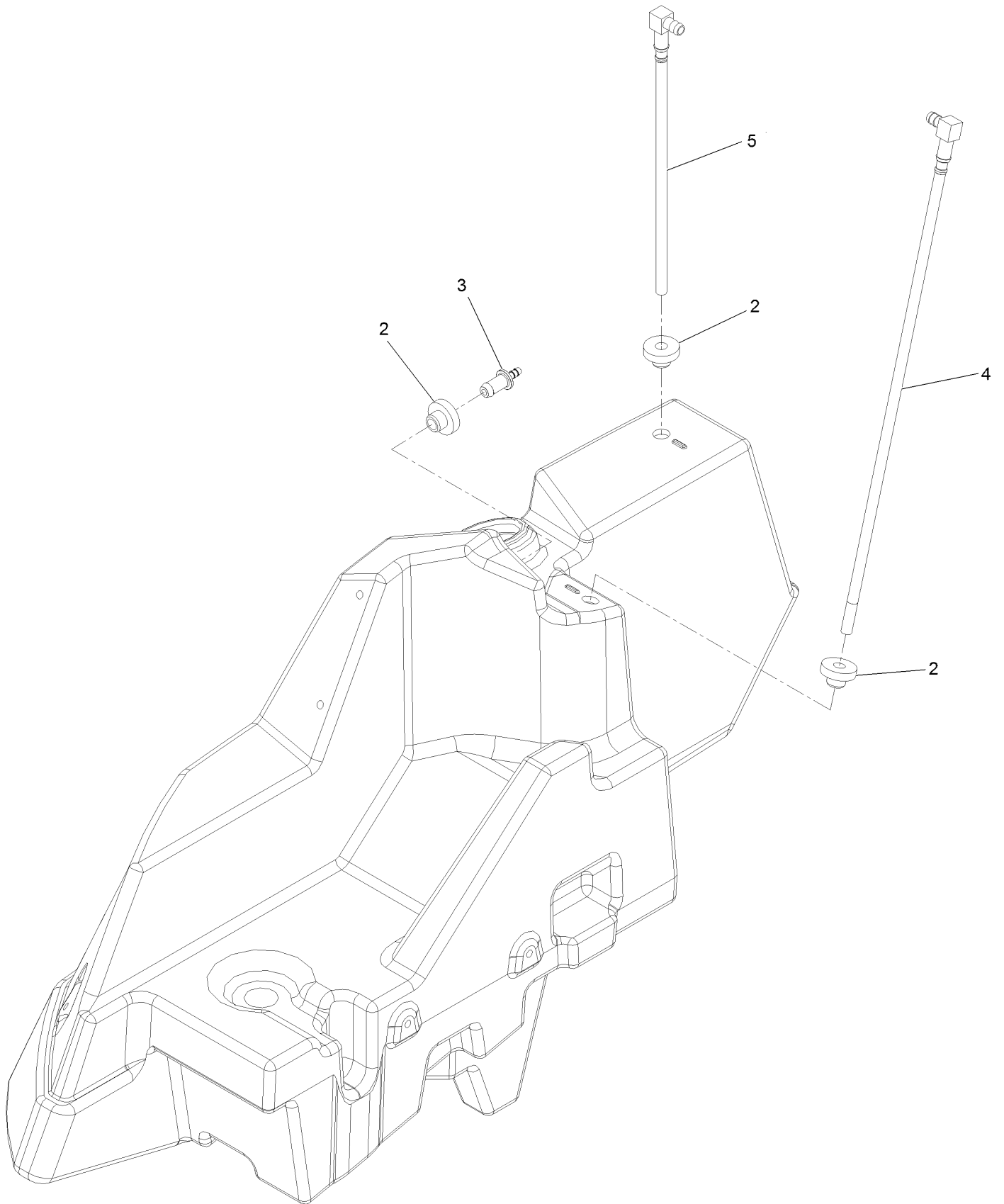
Fuel System Assembly



Fuel System Assembly (continued)

<i>Ref.</i>	<i>Part Number</i>	<i>Qty.</i>	<i>Description</i>	<i>Ref.</i>	<i>Part Number</i>	<i>Qty.</i>	<i>Description</i>
1	126-8651	1	RH Fuel Tank ASM	18	92-5753	3	Clamp-Hose
2	126-8652	1	LH Fuel Tank ASM	19	104-7201	5	Nut-HF
3	107-4543	4	Clamp	20	135-2715	2	Cap-Fuel, Diesel
4	104-8300	8	Nut-HF, NI	21	126-8795-03	1	Bracket-Filter, Fuel
5	3256-3	4	Washer-Flat	22	121-5613	1	Pump-Fuel, Electric
6	322-21	4	Screw-HH	23	92-2379	4	Clamp-Hose
7	126-8335	2	Tube-Spacer	24	32105-15	2	Screw-HWH
8	95-1905	2	Washer-Rubber	25	126-7874	1	Fuel/Water Seperator ASM
9	105-6814	2	Washer-Plain	25:1	125-2915	1	Filter-Fuel/Water Separator
10	3256-24	2	Washer-Flat	26	353-781	2	Fitting-HYD, 90
11	323-22	2	Screw-HH	27	3230-22	2	Screw-CARR
12	104-8301	2	Nut-HF, NI	28	322-11	2	Screw-HH
13	46-6560	2	Bushing	33	1-303335	1	Tie-Plastic
14	116-4630	2	Fitting-Orifice, Straight	34	135-0512	1	Fuel Suction Line ASM
15	117-6395	2	Hose-Vent, Tank	35	135-0513	1	Fuel Return Line ASM
16	2412-80	4	Clamp-Hose	37	108-3280	1	Hose-Fuel
17	3229-11	3	Screw-CARR	38	110-7503	1	Hose-Fuel

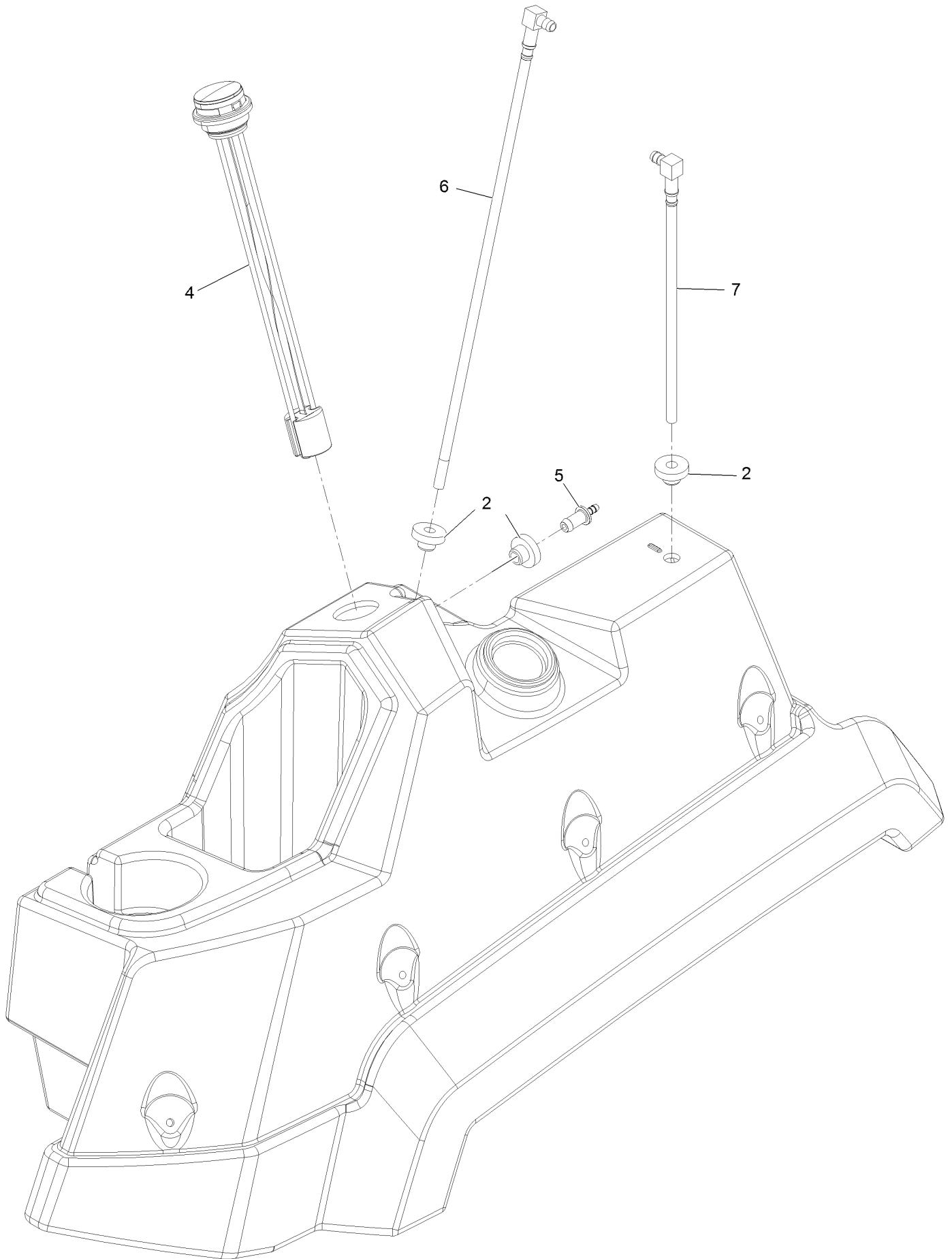
RH Fuel Tank Assembly No. 126-8651



RH Fuel Tank Assembly No. 126-8651 (continued)

<i>Ref.</i>	<i>Part Number</i>	<i>Qty.</i>	<i>Description</i>	<i>Ref.</i>	<i>Part Number</i>	<i>Qty.</i>	<i>Description</i>
2	46-6560	3	Bushing	4	126-8647	1	Pick-Up-Fuel
3	116-4630	1	Fitting-Orifice, Straight	5	126-8649	1	Return-Fuel

LH Fuel Tank Assembly No. 126-8652

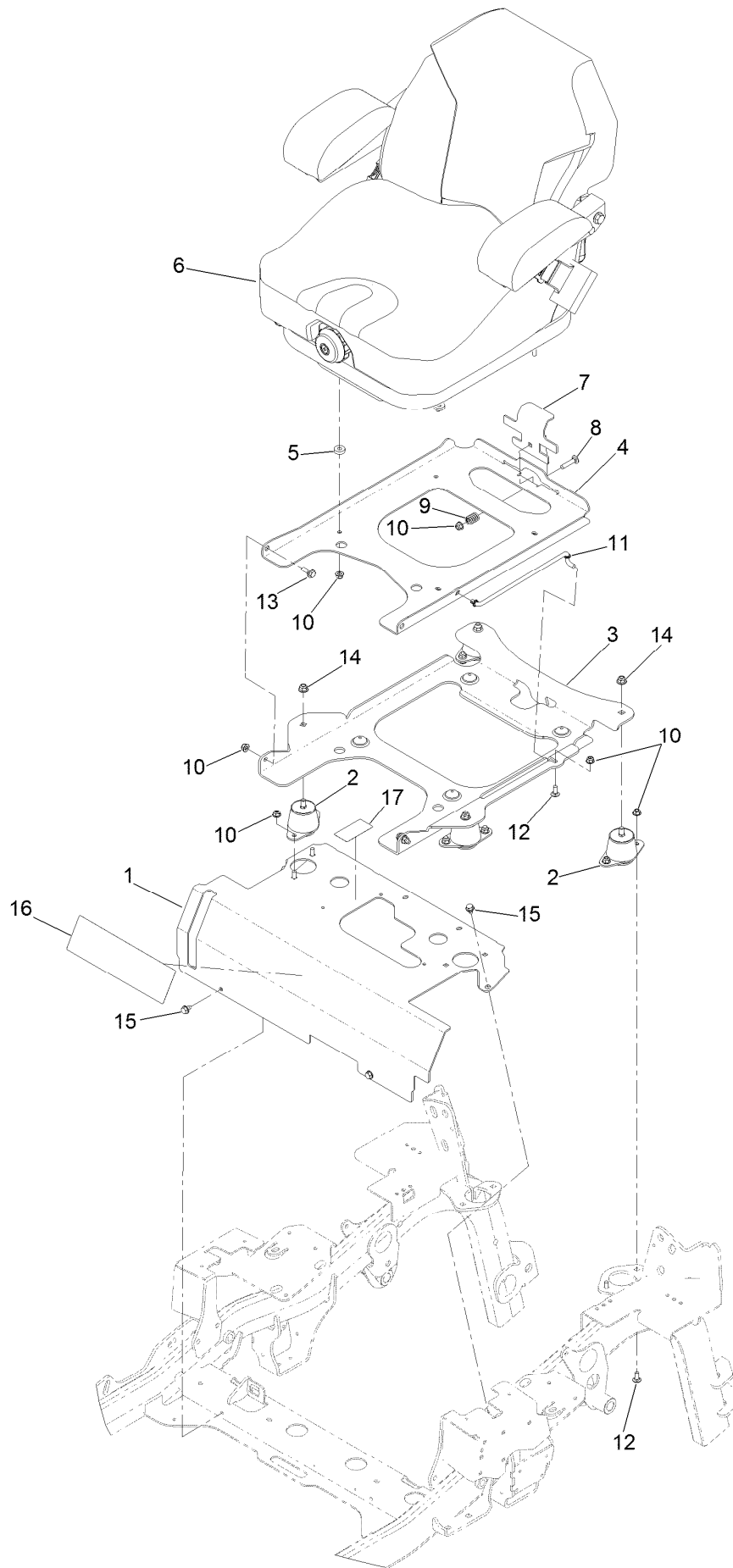


LH Fuel Tank Assembly No. 126-8652 (continued)

<i>Ref.</i>	<i>Part Number</i>	<i>Qty.</i>	<i>Description</i>
2	46-6560	3	Bushing
4	126-8660	1	Gauge-Fuel
5	116-4630	1	Fitting-Orifice, Straight

<i>Ref.</i>	<i>Part Number</i>	<i>Qty.</i>	<i>Description</i>
6	126-8647	1	Pick-Up-Fuel
7	126-8649	1	Return-Fuel

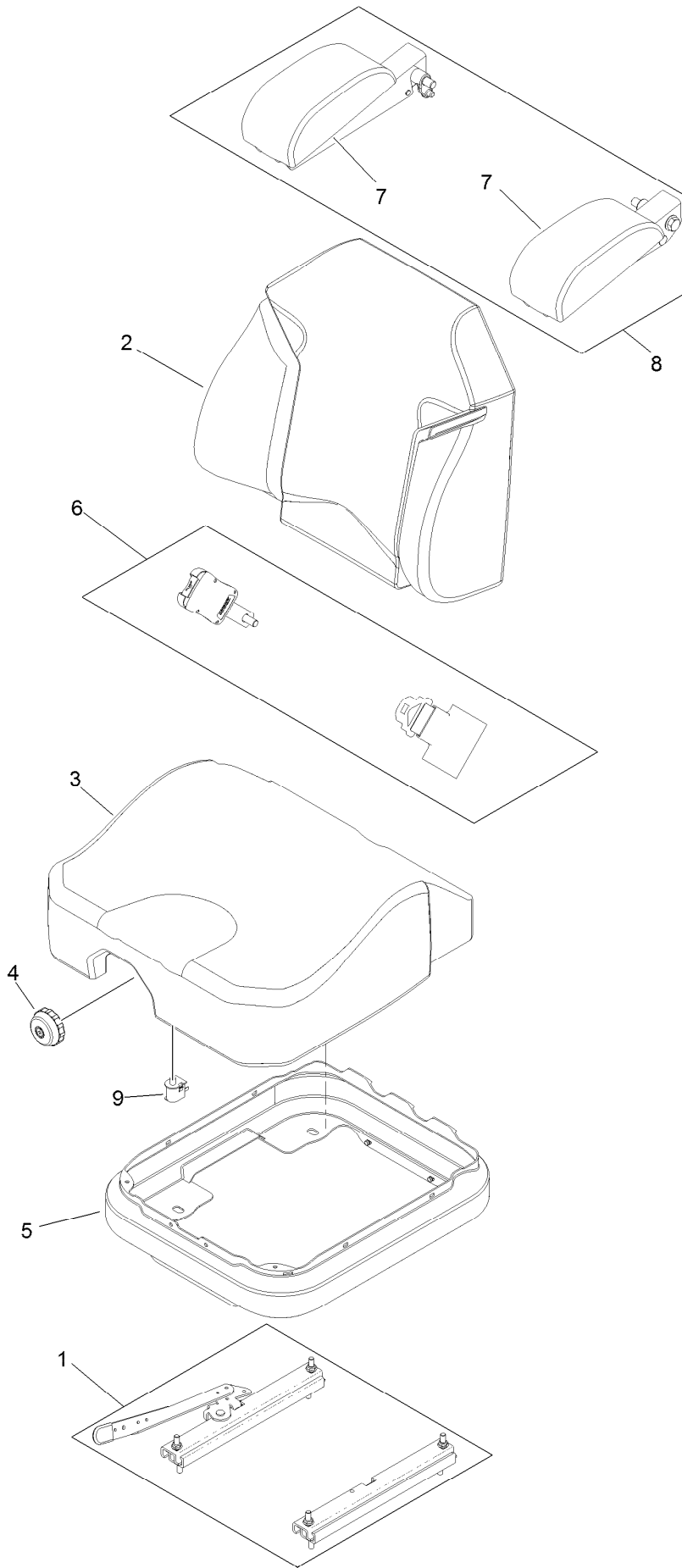
Seat Mount Assembly



Seat Mount Assembly (continued)

<i>Ref.</i>	<i>Part Number</i>	<i>Qty.</i>	<i>Description</i>	<i>Ref.</i>	<i>Part Number</i>	<i>Qty.</i>	<i>Description</i>
1	126-7286	1	Seat Mount ASM	10	104-8300	16	Nut-HF, NI
2	109-9034	4	Isolator-Seat	11	116-0070	1	Rod-Prop
3	126-2701-03	1	Plate-Support, Tilt Seat	12	3230-23	9	Screw-CARR
4	126-2700-03	1	Plate-Frame, Seat	13	116-1297	2	Screw-Shoulder
5	26-4840	4	Spacer-Pin, Mounting	14	104-8301	4	Nut-HF, NI
6	125-3107	1	Suspension Seat ASM	15	9266934	4	Screw
7	126-1855	1	Plate-Latch, Seat	16	136-9040	1	Decal
8	3230-4	1	Bolt-CARR	17	135-2837	1	Decal-Fluid, Transmission
9	107-3017	1	Spring-Compression				

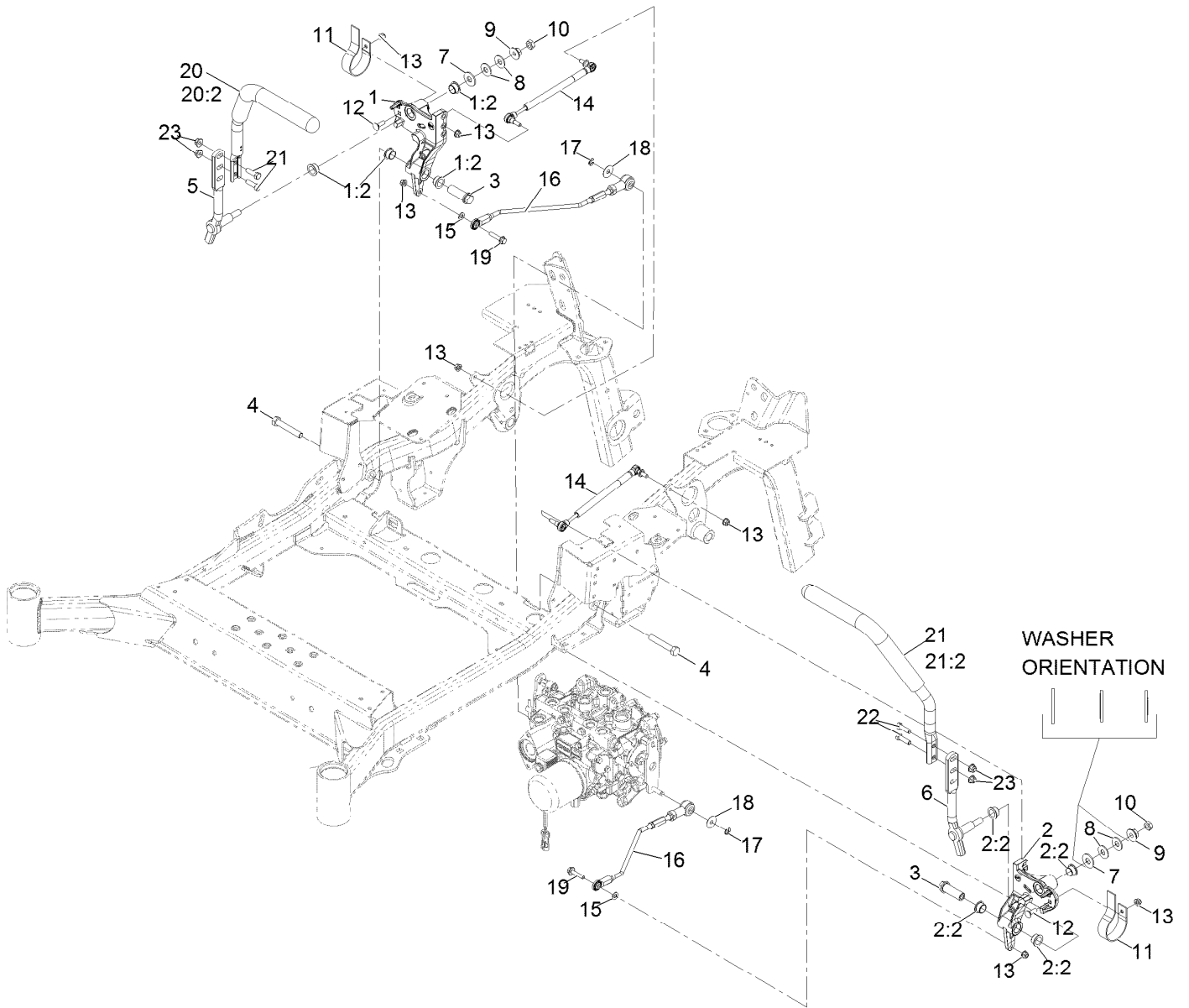
Seat Assembly No. 125-3107



Seat Assembly No. 125-3107 (continued)

<i>Ref.</i>	<i>Part Number</i>	<i>Qty.</i>	<i>Description</i>	<i>Ref.</i>	<i>Part Number</i>	<i>Qty.</i>	<i>Description</i>
1	116-8910	1	Seat Track Set	6	126-2061	1	Seat Belt Service Kit
2	125-3112	1	Cover-Back	7	109-9802	1	Arm Rest Pad Set
3	125-3111	1	Cover-Cushion	8	109-9803	1	Arm Rest Set
4	116-8911	1	Knob-Adjuster	9	82-2190	1	Switch-Bail
5	116-5659	1	Cover-Suspension Bellows				

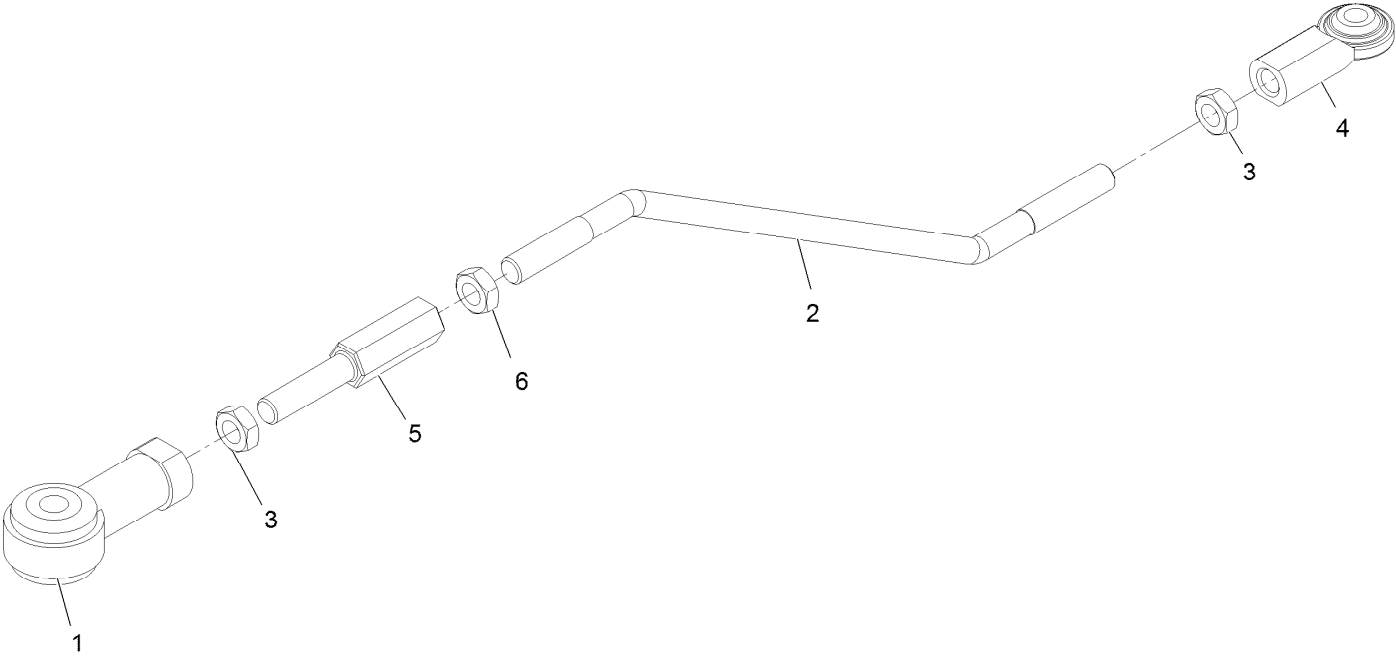
Motion Control Assembly



Motion Control Assembly (continued)

<i>Ref.</i>	<i>Part Number</i>	<i>Qty.</i>	<i>Description</i>	<i>Ref.</i>	<i>Part Number</i>	<i>Qty.</i>	<i>Description</i>
1	116-0880	1	RH Motion Control And Bushing ASM	12	3230-2	2	Bolt-CARR
1:2	109-8054	4	Bushing-Flange	13	104-8300	8	Nut-HF, NI
2	116-0881	1	LH Motion Control And Bushing ASM	14	116-0027	2	Damper-Control, Motion
2:2	109-8054	4	Bushing-Flange	15	3256-23	2	Washer-Plain
3	109-5891	2	Hub-Threaded	16	126-6131	2	Front Linkage Rod ASM
4	325-12	2	Screw-HH	17	32151-47	2	Ring-Retaining
5	116-0039	1	Lever-Control Motion, RH	18	105-6814	2	Washer-Plain
6	116-0040	1	Lever-Control Motion, LH	19	115-1794	2	Screw-HHF
7	3256-6	2	Washer-Flat	20	126-7700	1	RH Steering Handle ASM
8	109-9505	4	Washer-Spring	20:2	109-5668	1	Grip-Lever, Control
9	32128-56	2	Nut-HF	21	126-7699	1	LH Steering Handle ASM
10	3218-5	2	Nut-Jam	21:2	109-5668	1	Grip-Lever, Control
11	109-5575	2	Spring-Leaf	22	323-7	4	Screw-HH
				23	104-8301	4	Nut-HF, NI

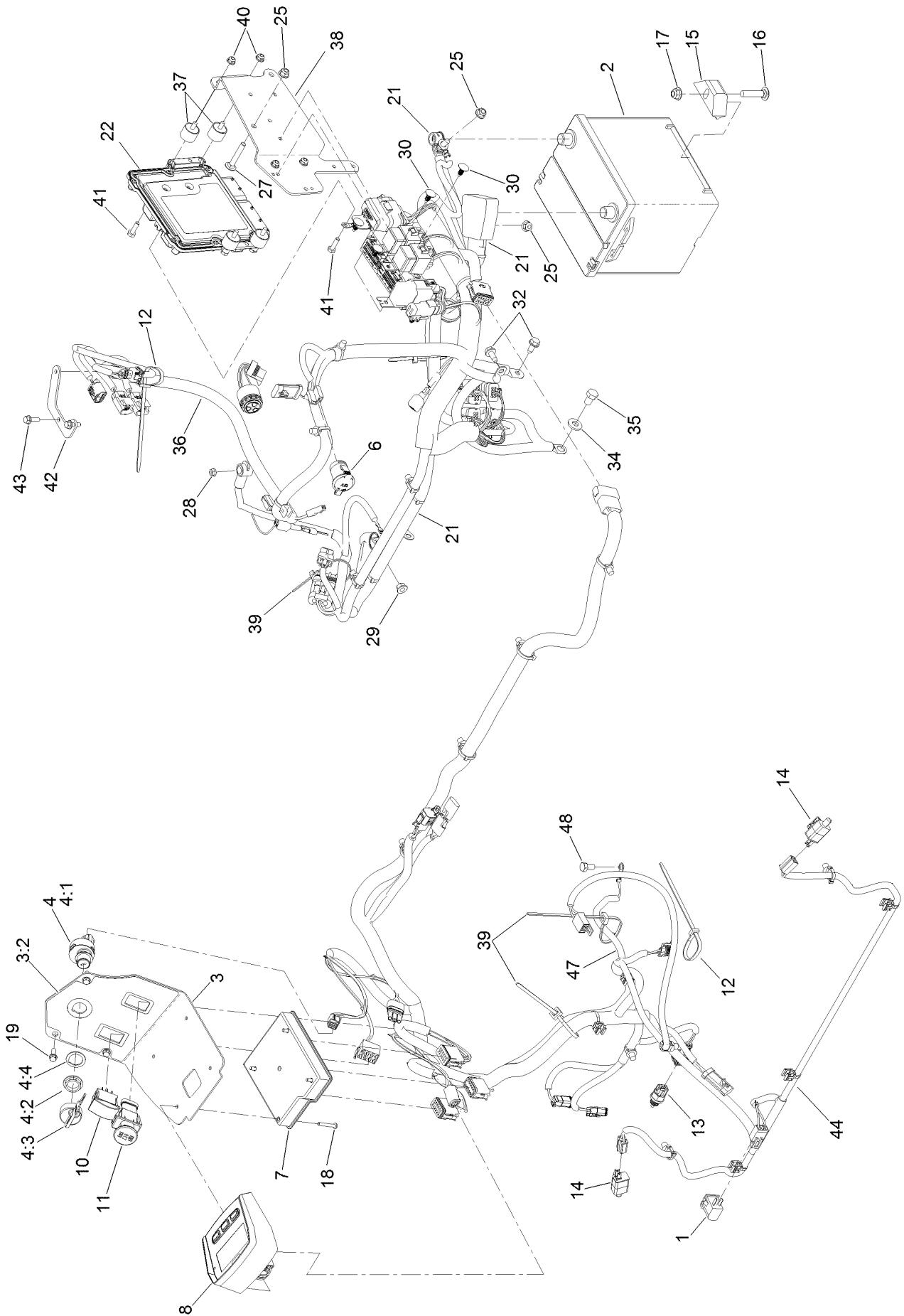
Rod Linkage Assembly



Rod Linkage Assembly (continued)

<i>Ref.</i>	<i>Part Number</i>	<i>Qty.</i>	<i>Description</i>	<i>Ref.</i>	<i>Part Number</i>	<i>Qty.</i>	<i>Description</i>
1	105-7199	1	End-Rod, Isolated	4	103-2463	1	Joint-Ball, End
2	126-6469	1	Rod-Linkage, Rear	5	116-4755	1	Rod-Adjustment
3	3220-3	2	Nut-HJ	6	3220-16	1	Nut-Hex Jam, LH

Electrical Assembly



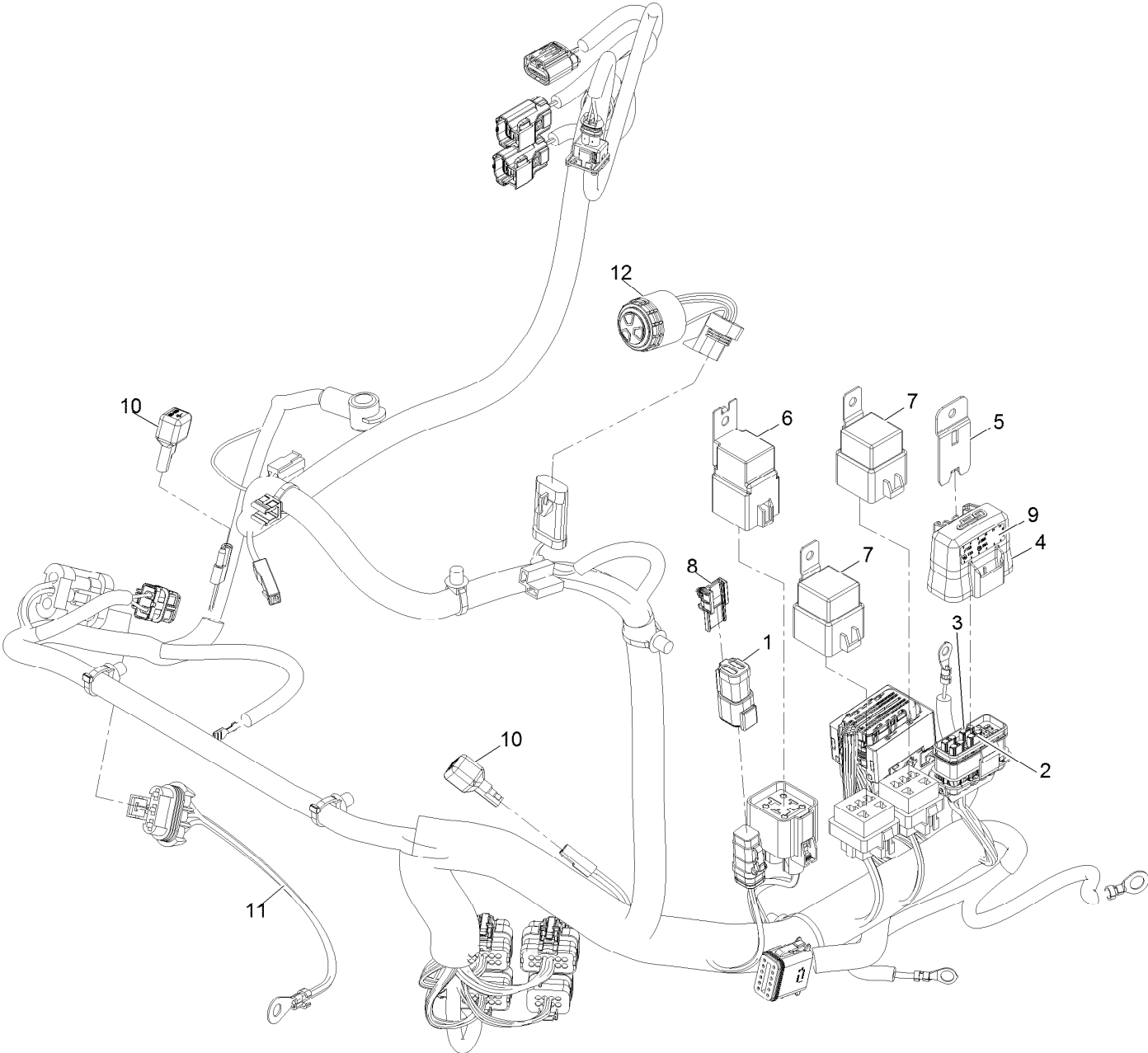
Electrical Assembly (continued)

<i>Ref.</i>	<i>Part Number</i>	<i>Qty.</i>	<i>Description</i>	<i>Ref.</i>	<i>Part Number</i>	<i>Qty.</i>	<i>Description</i>
1	82-2190	1	Switch-Bail	19	32105-15	3	Screw-HWH
2	106-5187	1	Battery-Dry	21	126-7406	1	Cable-Battery
3	135-6161	1	Console ASM	22	127-3085	1	E C U ASM
3:2	135-0398	1	Decal-Console	25	104-8300	4	Nut-HF, NI
4	126-6285	1	Ignition Switch ASM	27	3230-6	2	Bolt-CARR
4:1		1	Switch-Ignition ●	28	33003-00	1	Nut-HF
4:2	108-8660	1	Nut-Mounting	29	127-2371	1	Nut-HF
4:3	106-5270	1	Ignition Key Set	30	117-2382	4	Plug-Plastic
4:4	108-8659	1	Washer-Backup	32	32144-70	2	Screw-HWHTF
6	126-6499	1	Port-Power, 12V	34	98-5975	1	Washer-Belleville
7	135-3427	1	Module-Mcu	35	33115-016	1	Screw-HH
8	126-9976	1	Module-Horizon	36	126-7352	1	Harness-Wire ■
10	100-1535	1	Switch-Rocker, (On)-Off-(On)	37	125-2674	4	Mount-Cylindrical
11	126-6187	1	Switch-PTO, Sealed	38	126-8706-03	1	Mount-Control Unit, Engine
12	1-303335	3	Tie-Plastic	39	3290-378	3	Tie-Cable
13	126-7698	1	Sensor-Temperature	40	104-7201	4	Nut-HF
14	110-6765	2	Switch	41	321-5	4	Screw-HH
15	66-2490	1	Retainer-Battery	42	135-0071	1	Bracket-Wiring, Engine
16	3231-5	1	Screw-CARR	43	33103-020	2	Screw-HHF
17	104-8301	1	Nut-HF, NI	44	126-8269	1	Harness-Wire
18	126-5092	4	Screw-PPH	47	135-3998	1	Harness-Wire, Jumper ■
				48	99-5132	1	Bolt

● Not serviced separately

■ Use dielectric grease on all unsealed connectors and terminals only. Do not apply in sealed connectors.

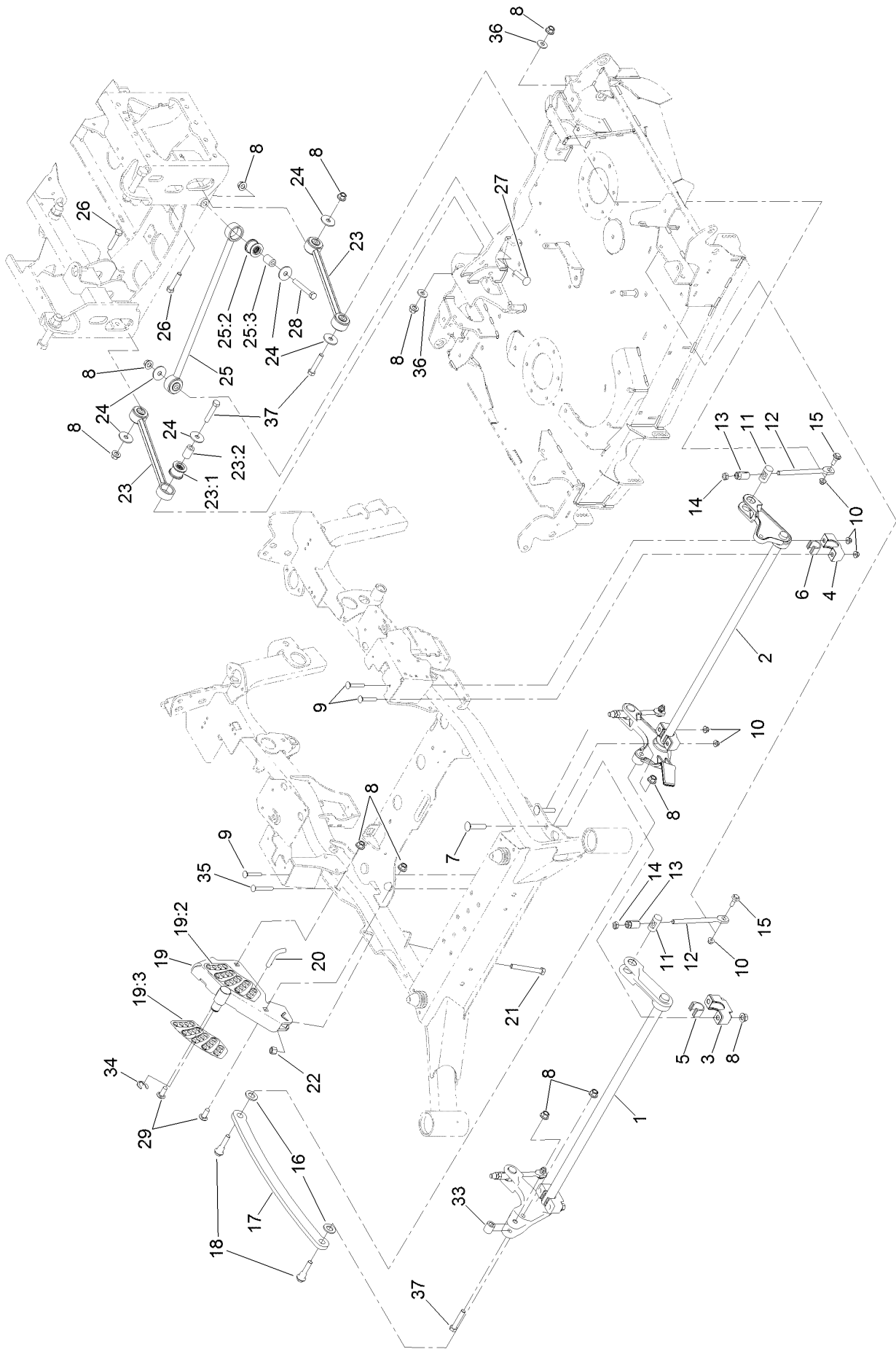
Wire Harness Assembly No. 126-7352



Wire Harness Assembly No. 126-7352 (continued)

<i>Ref.</i>	<i>Part Number</i>	<i>Qty.</i>	<i>Description</i>	<i>Ref.</i>	<i>Part Number</i>	<i>Qty.</i>	<i>Description</i>
1	32160-359	1	Connector (6M)	7	99-7430	2	Relay-Mini
2	121-8867	3	Fuse-Mini Blade, 15 Amp	8	32180-103	1	Clip-Connector
3	121-8869	1	Fuse-Mini Blade, 25 Amp	9	126-9351	1	Decal-Fuse
4	32180-176	1	Cover-Block, Fuse	10	100-4918	2	Diode
5	32180-177	1	Clip-Mounting	11	99-3441	1	Harness-Wire, Fusible Link
6	127-7514	1	Relay-70A	12	126-6286	1	Alarm-Dual Tone

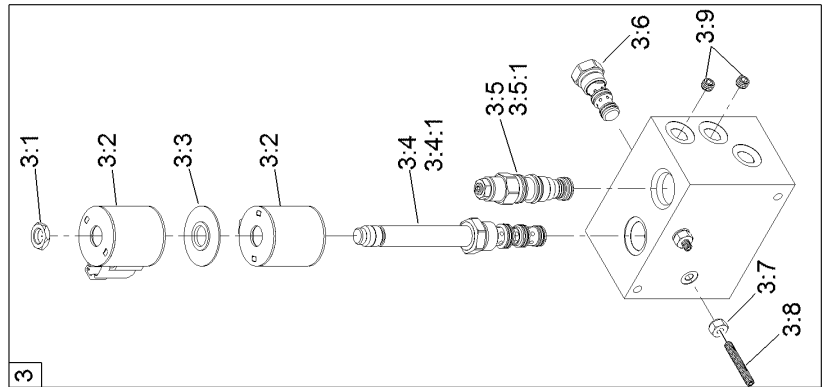
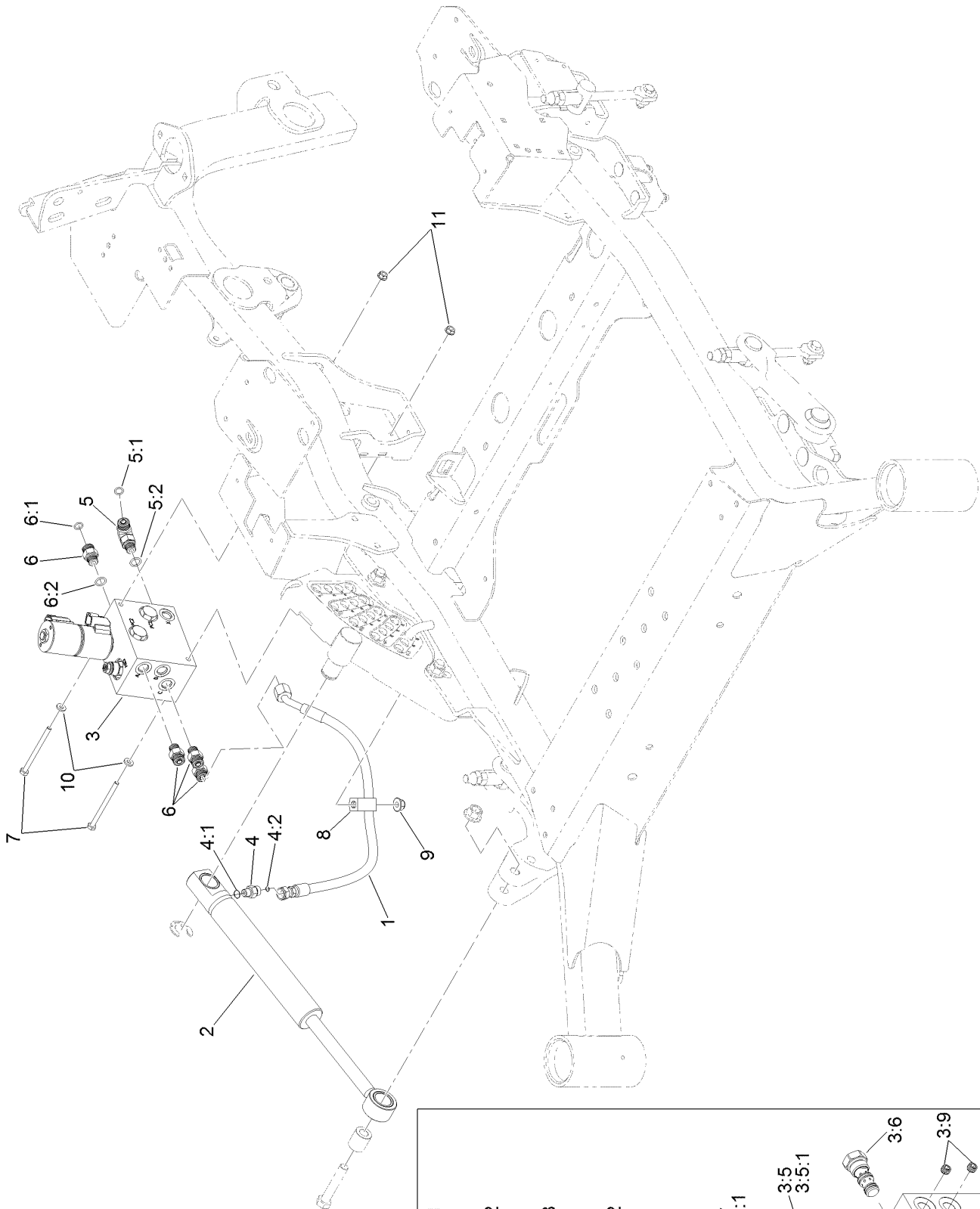
Deck Lift Assembly



Deck Lift Assembly (continued)

<i>Ref.</i>	<i>Part Number</i>	<i>Qty.</i>	<i>Description</i>	<i>Ref.</i>	<i>Part Number</i>	<i>Qty.</i>	<i>Description</i>
1	135-1216-03	1	Lift-Deck, Front	19:3	135-1432	1	Decal-HOC, Outer
2	116-2645-03	1	Lift-Deck, Rear	20	116-5584	1	Pin-HOC
3	109-9409	2	Support-Bearing, Cross Shaft (Front)	21	116-0559	1	Bolt-TAP
4	127-0553	2	Support-Bearing, Cross Shaft (Rear)	22	3296-23	1	Nut-Lock, NI
5	109-9410	2	Bearing-Cross Shaft, Front	23	109-0966	2	Deck Strut ASM
6	109-7173	2	Bearing-Cross Shaft, Rear	23:1	109-5009	2	Bushing-Suspension, Rubber
7	116-1700	4	Bolt-CARR	23:2	109-5010	2	Spacer
8	99-5107	15	Nut-Lock	24	86-1990	6	Washer-Thrust
9	3231-7	3	Screw-CARR	25	109-5013	1	Panhard Rod ASM
10	104-8301	8	Nut-HF, NI	25:2	109-5009	2	Bushing-Suspension, Rubber
11	109-8353	4	Trunnion	25:3	109-5010	2	Spacer
12	109-8007	4	Link-Adjuster, Deck Lift	26	325-10	2	Screw-HH
13	109-7840	4	Adjuster-Lift, Deck	27	3233-34	1	Screw-CARR
14	3218-5	4	Nut-Jam	28	325-17	1	Screw-HH
15	109-9840	4	Screw-Shoulder, HHF	29	3233-26	2	Screw-CARR, Short Neck
16	3256-28	2	Washer-Flat	33	135-1215	1	Spacer-Pivot
17	116-0797-03	1	Link-Lift, Deck	34	32151-91	1	Ring-Retaining
18	116-2022	2	Screw-HHF, Shoulder	35	3231-9	1	Screw-CARR
19	126-7866	1	HOC ASM	36	1-513435	2	Washer-Spring
19:2	126-9275	1	Decal-HOC	37	325-11	3	Screw-HH

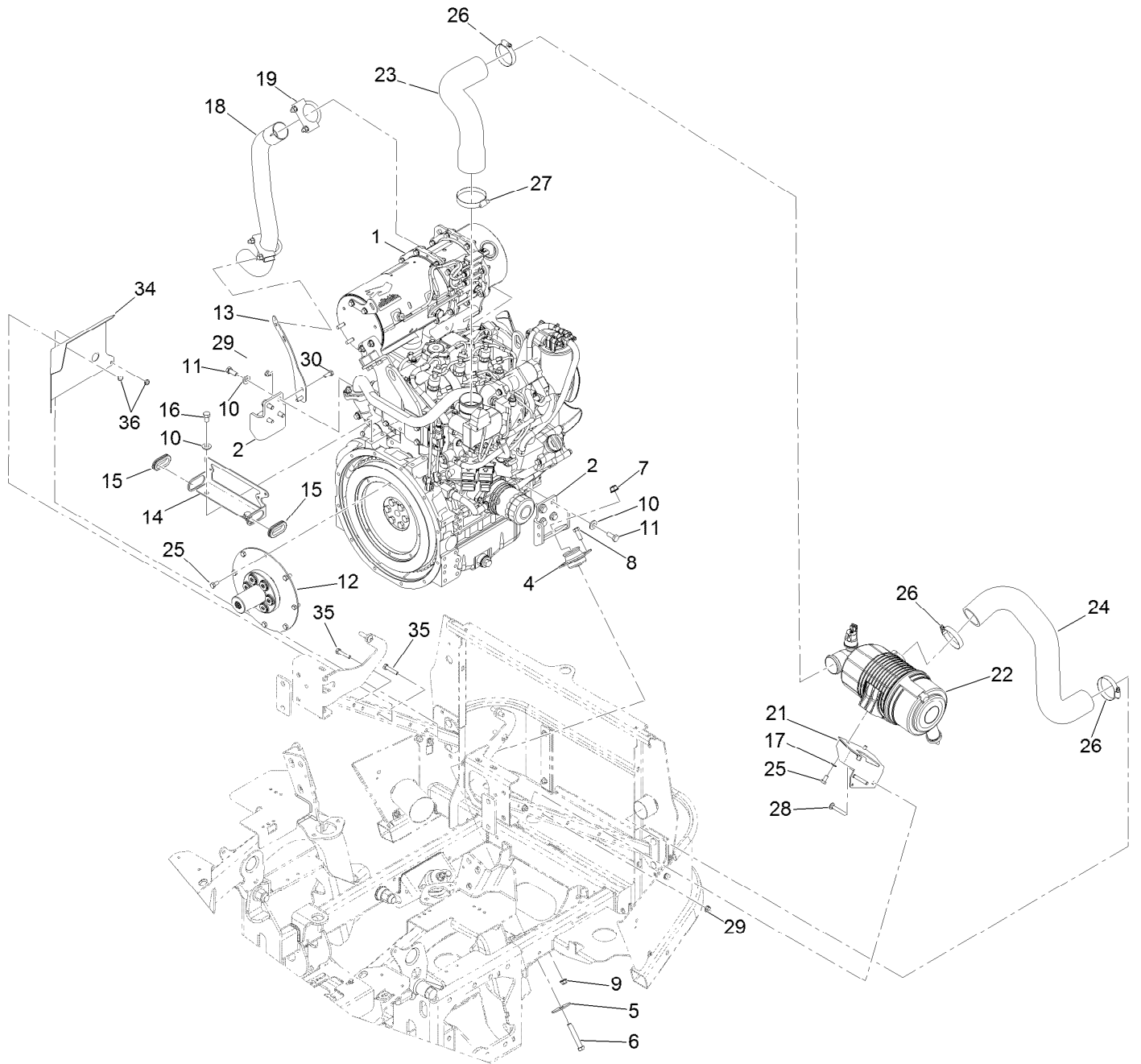
Hydraulic Lift and Fold Assembly



Hydraulic Lift and Fold Assembly (continued)

<i>Ref.</i>	<i>Part Number</i>	<i>Qty.</i>	<i>Description</i>	<i>Ref.</i>	<i>Part Number</i>	<i>Qty.</i>	<i>Description</i>
1	126-8683	1	Hose ASM	4	126-8692	1	Fitting-HYD, Straight
2	126-7841	1	Lift Cylinder ASM	4:1	237-78	1	O-Ring
3	135-4560	1	Lift And Hold Valve ASM	4:2	237-21	1	O-Ring
3:1	110-2634	1	Nut-Coil	5	340-77	1	Fitting-Elbow, 90 DEG
3:2	115-3021	2	Coil-12V	5:1	237-22	1	O-Ring
3:3	117-8316	1	Spacer-E Coil	5:2	237-42	1	O-Ring
3:4	135-4546	1	Solenoid Valve ASM	6	340-2	4	Fitting-Straight
3:4:1	110-8908	1	Spool Valve Seal Kit	6:1	237-22	1	O-Ring
3:5	135-4543	1	Valve-Counterbalance	6:2	237-42	1	O-Ring
3:5:1	114-5083	1	Seal Kit	7	321-19	2	Screw-HH
3:6	135-4547	2	Valve-Check, Po	8	1-633396	1	Clip-Loom
3:7	135-4544	2	Screw-Set	9	104-8301	1	Nut-HF, NI
3:8	135-4545	2	Nut-Sealing, Hex	10	3256-16	2	Washer-Flat
3:9	110-8889	2	Plug-Orifice (0.020)	11	32128-33	2	Nut-HF

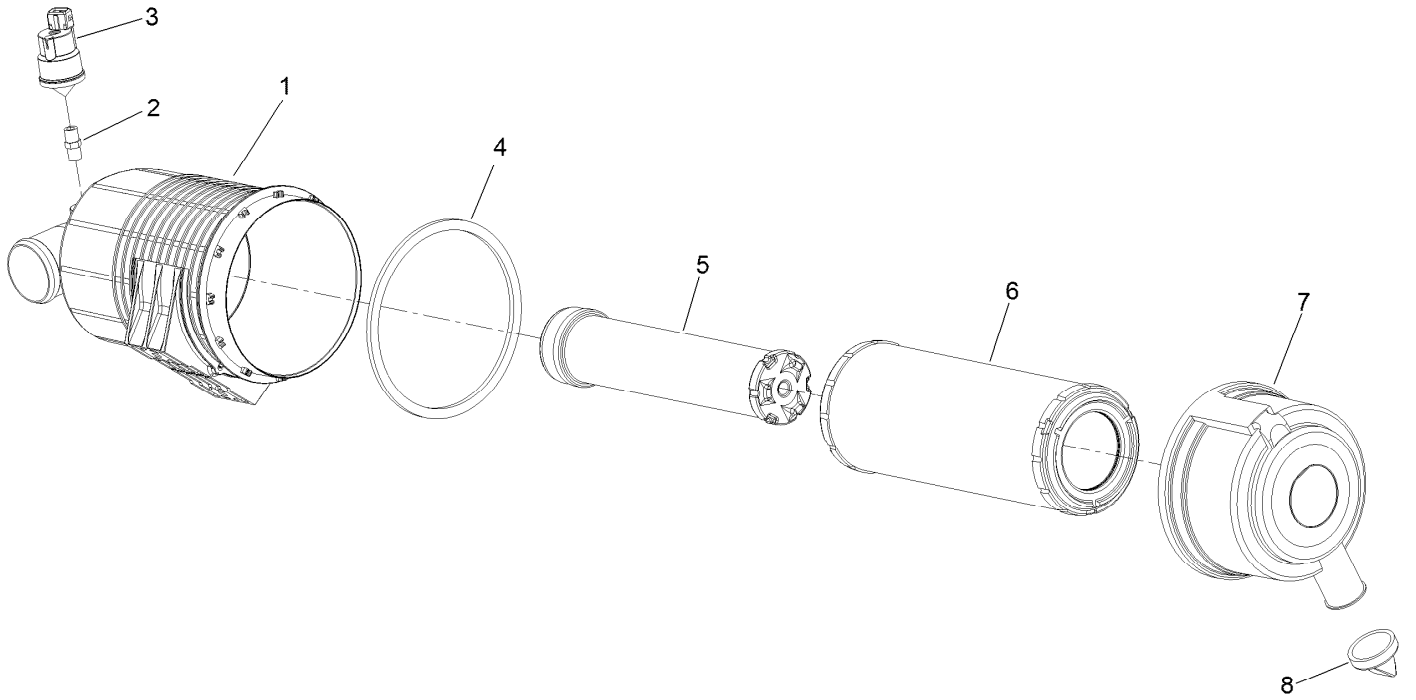
Engine and Air Cleaner Assembly



Engine and Air Cleaner Assembly (continued)

<i>Ref.</i>	<i>Part Number</i>	<i>Qty.</i>	<i>Description</i>	<i>Ref.</i>	<i>Part Number</i>	<i>Qty.</i>	<i>Description</i>
1	138-6927	1	Engine-Yanmar, 3Tnv88C-Dtr5	17	3290-475	2	Washer-Belleville
2	120-9180-03	2	Mount-Motor, Upper	18	126-7652	1	Tube-Exhaust
4	130-2486	2	Mount	19	18-2130	2	Clamp
5	87-5100	2	Washer-Snubbing	21	126-8730-03	1	Bracket-Cleaner, Air
6	324-11	2	Screw-HH	22	126-7646	1	Air Cleaner ASM
7	114-8417	2	Nut-HF, NI	23	120-9199	1	Hose-Air
8	323-6	4	Screw-HH	24	120-9177	1	Hose-Air
9	104-8301	4	Nut-HF, NI	25	99-5132	10	Bolt
10	98-5975	10	Washer-Belleville	26	2412-130	3	Clamp-Hose
11	33115-025	8	Screw-HH	27	2412-125	1	Clamp-Hose
12	120-9131	1	Coupling-Flywheel	28	3230-6	2	Bolt-CARR
13	126-8587-03	1	Bracket-Mount	29	104-8300	4	Nut-HF, NI
14	126-7602-03	1	Bracket-Guide	30	322-4	2	Screw-HH
15	240-7	2	Grommet-Rubber	34	135-3946-03	1	Deflector-Air
16	33115-016	2	Screw-HH	35	322-8	2	Screw-HH
				36	3296-47	2	Nut-Lock, NI

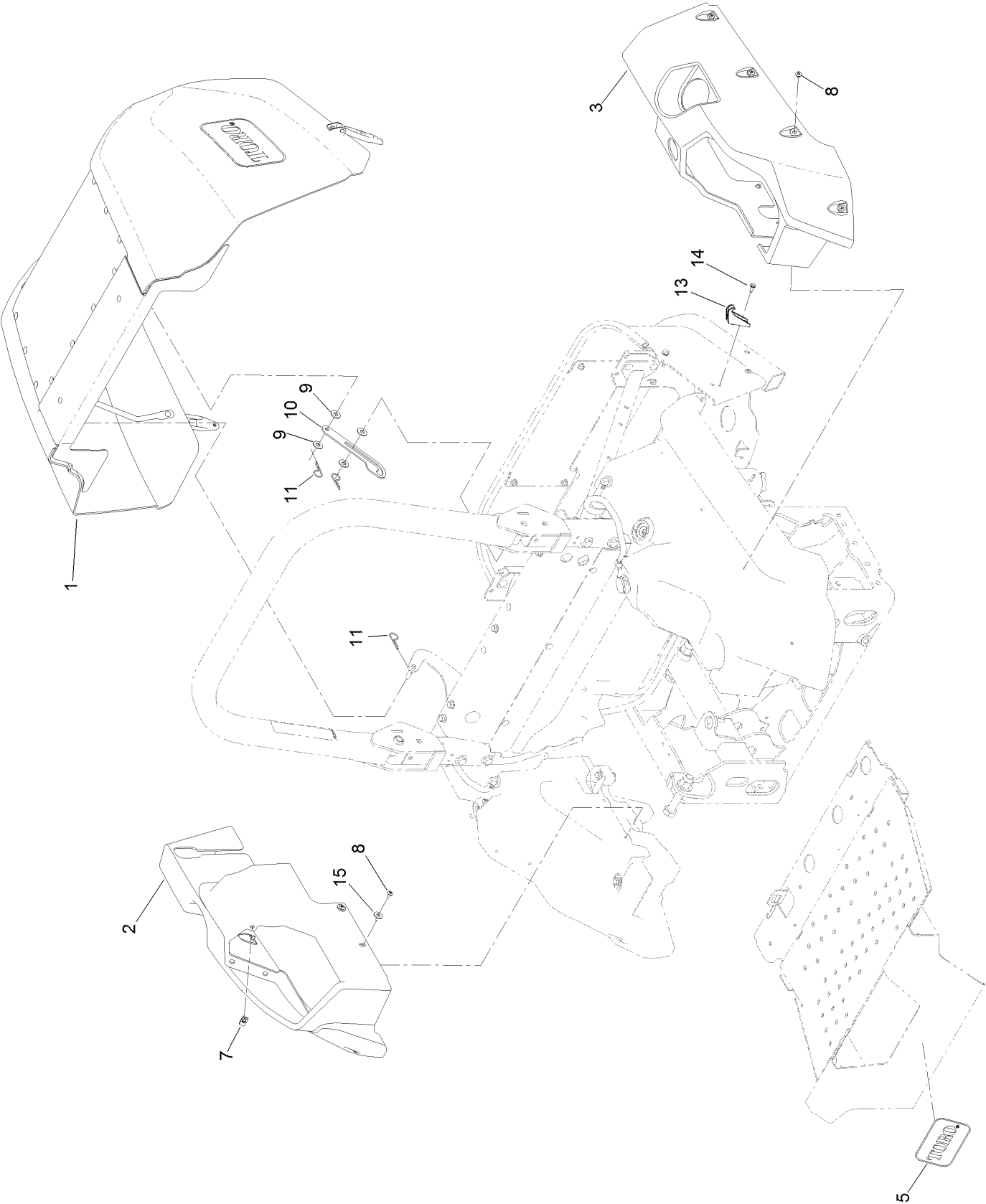
Air Cleaner Assembly No. 126-7646



Air Cleaner Assembly No. 126-7646 (continued)

<i>Ref.</i>	<i>Part Number</i>	<i>Qty.</i>	<i>Description</i>	<i>Ref.</i>	<i>Part Number</i>	<i>Qty.</i>	<i>Description</i>
1	126-7647	1	Body-Cleaner, Air	5	114-4057	1	Element-Safety
2	105-4292	1	Nipple-Pipe	6	108-3810	1	Filter-Air
3	126-7651	1	Indicator-Mini	7	104-0497	1	Cover
4	104-4897	1	Gasket	8	104-0498	1	Valve-Vacuator

Hood and Tank Cover Assembly

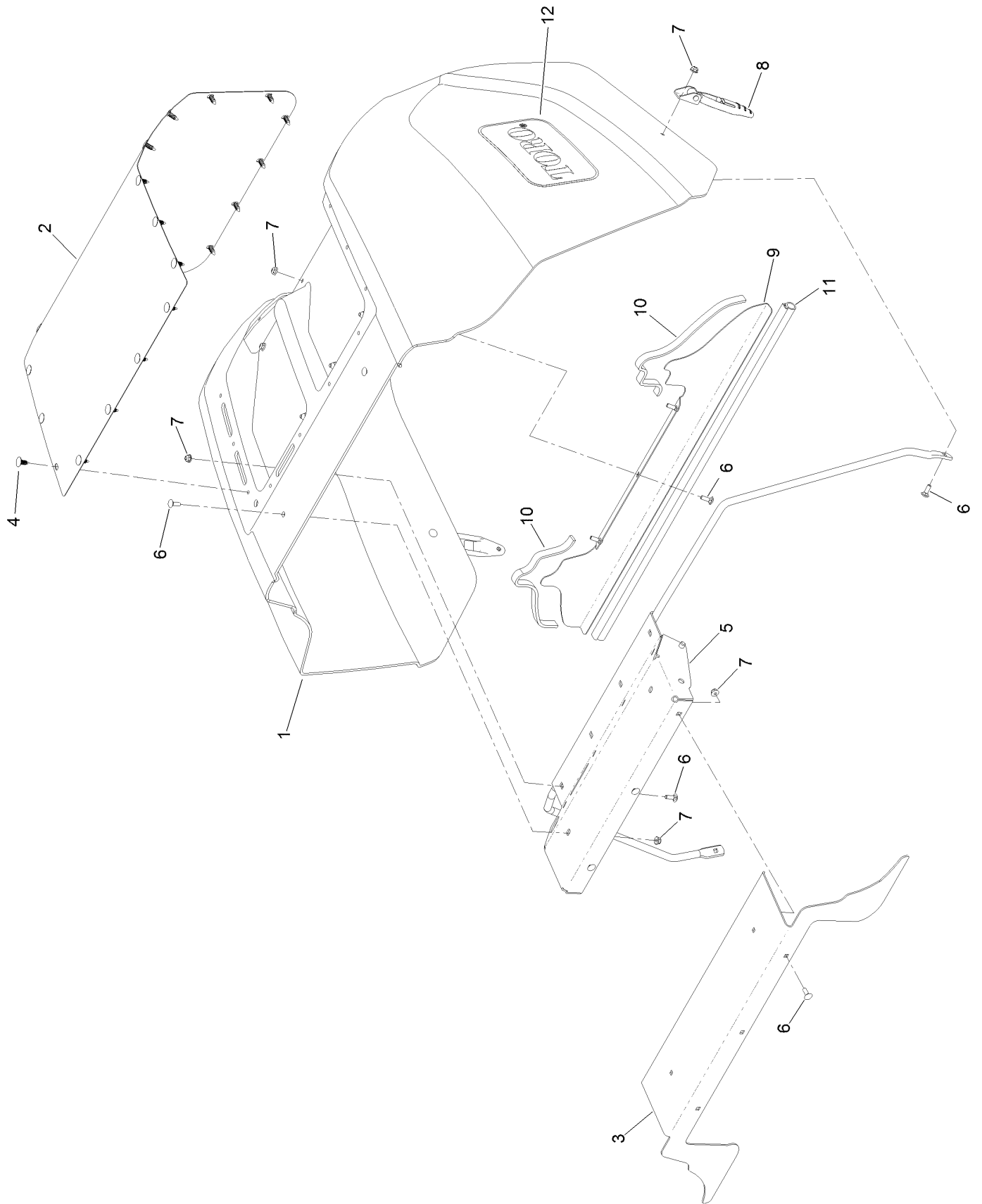


Hood and Tank Cover Assembly (continued)

<i>Ref.</i>	<i>Part Number</i>	<i>Qty.</i>	<i>Description</i>	<i>Ref.</i>	<i>Part Number</i>	<i>Qty.</i>	<i>Description</i>
1		1	Hood ASM ●	9	3256-4	4	Washer-Flat
2	126-8655	1	Cover-Tank, RH	10	120-9129	1	Prop-Hood
3	126-8656	1	Cover-Tank, LH	11	3290-255	3	Pin-Cotter, Hair
5	68-3640	1	Decal	13	126-8672	2	Latch-Catch
7	107069	1	Clip	14	32144-10	2	Screw-HWH
8	126-8216	12	Screw-Torx	15	3256-71	4	Washer-Flat

● Not serviced separately

Hood Assembly



Hood Assembly (continued)

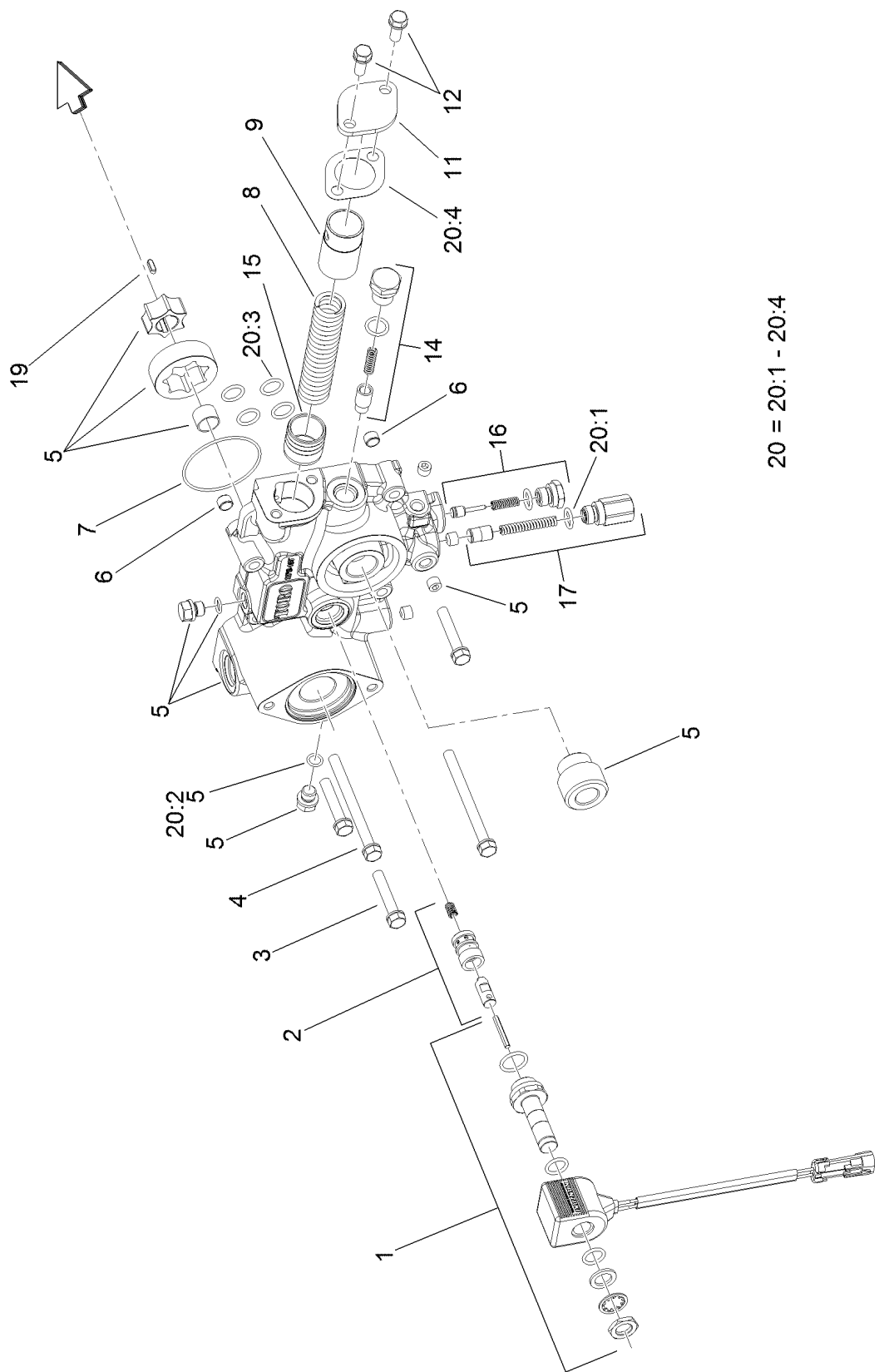
<i>Ref.</i>	<i>Part Number</i>	<i>Qty.</i>	<i>Description</i>	<i>Ref.</i>	<i>Part Number</i>	<i>Qty.</i>	<i>Description</i>
1	126-8654	1	Hood	7	104-7201	14	Nut-HF
2	126-6785-03	1	Screen-Intake	8	103-2898	2	Latch-Rubber
3	126-8648-03	1	Hood-Block Off	9	126-6849-03	1	Plate-Seal
4	117-2382	22	Plug-Plastic	10	126-6848	2	Seal-Foam
5	126-6524-03	1	Support-Hood	11	126-6846	1	Seal-Bulb
6	3229-1	14	Screw-CARR	12	62-7400	2	Decal

Transmission Assembly

Transmission Assembly (continued)

<i>Ref.</i>	<i>Part Number</i>	<i>Qty.</i>	<i>Description</i>	<i>Ref.</i>	<i>Part Number</i>	<i>Qty.</i>	<i>Description</i>
1	131-5510	1	Transmisson ASM	16	33114-025	2	Screw-HH
2	48-9590	16	Washer-Lock	17	108-9920	1	Coupler-Spline
3	33115-045	13	Screw-HH	18	108-9919	1	O-Ring
4	33115-035	3	Screw-HH	19	114-4088	1	Shield-Seal
5	125-2836	1	Housing-Flywheel	20	33115-016	2	Screw-HH
8	3256-6	2	Washer-Flat	21	340-132	1	Fitting-Elbow, 90 DEG
9	99-5107	2	Nut-Lock	21:1	237-78	1	O-Ring
10	126-6095	2	Mount-Isolator	21:2	237-21	1	O-Ring
11	86-1990	2	Washer-Thrust	22	126-8689	1	Tube ASM
12	325-15	2	Screw-HH	23	126-6806	1	Support-Tube
13	112-9542	1	HYD Gear Pump ASM	24	32180-030	1	Clip-Tie
14	3256-23	2	Washer-Plain	25	87-1910	2	Pin-Dowel
15	3253-4	2	Washer-Lock	26	108-5194	1	Filter-Oil, HYD

Charge Pump Housing Assembly Transmission Assembly No. 131-5510

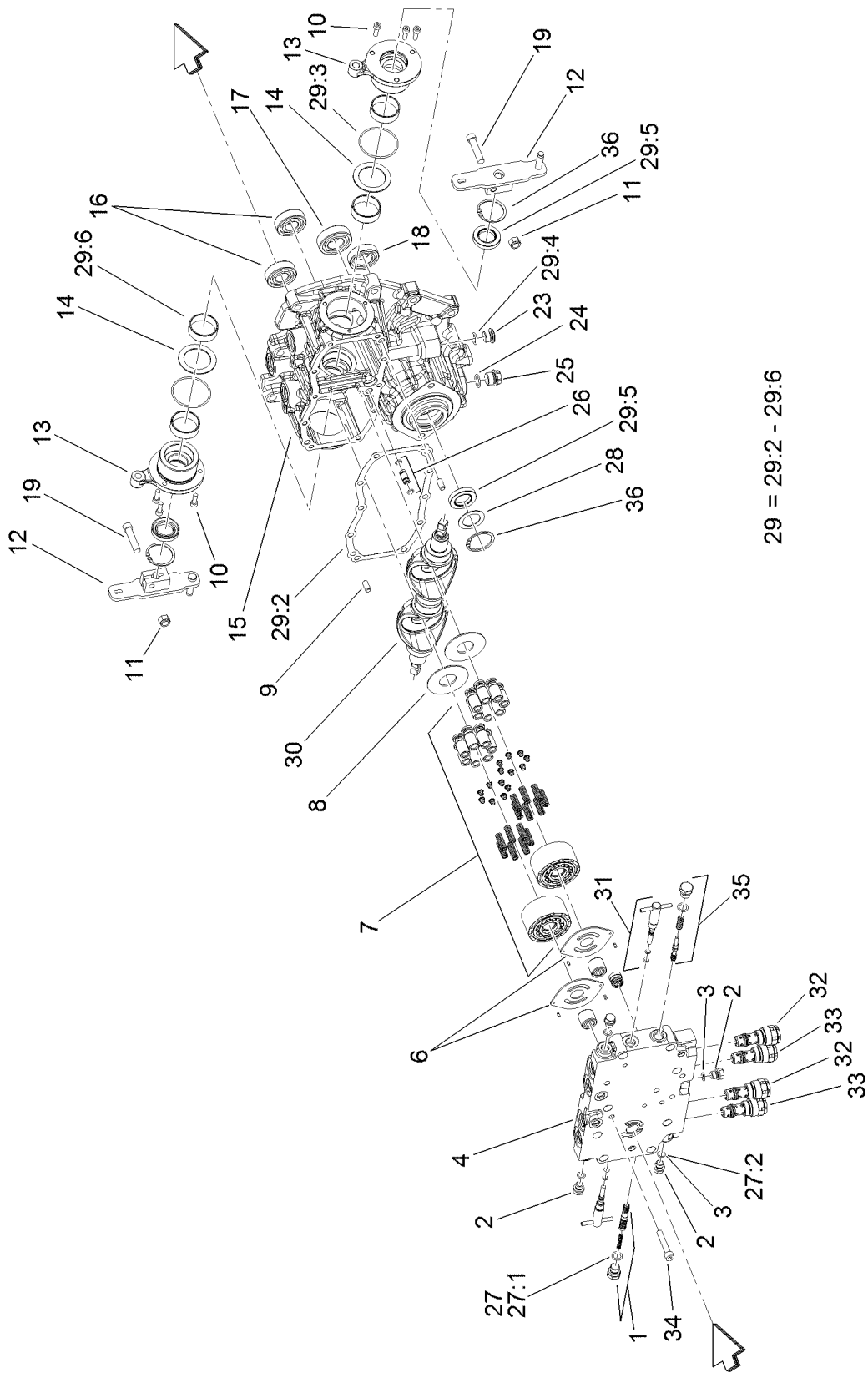


20 = 20:1 - 20:4

Charge Pump Housing Assembly Transmission Assembly No. 131-5510 (continued)

<i>Ref.</i>	<i>Part Number</i>	<i>Qty.</i>	<i>Description</i>	<i>Ref.</i>	<i>Part Number</i>	<i>Qty.</i>	<i>Description</i>
1	107-0851	1	Solenoid ASM	14	107-0843	1	Filter Bypass Valve ASM
2	107-0850	1	Solenoid Valve ASM	15	107-0818	1	Piston
3	107-0863	3	Bolt	16	107-0842	1	Charge Relief Valve ASM
4	107-0864	2	Bolt	17	107-0841	1	Pressure Valve ASM
5	107-0840	1	Pump Body ASM	19	107-0865	1	Key
6	107-0848	2	Pin	20	107-0855	1	Charge Pump Seal Kit
7	107-0856	1	O-Ring	20:1	93-0418	2	O-Ring
8	107-0845	1	Spring	20:2	107-0817	2	O Ring-Plug
9	107-0844	1	Collar	20:3	104-3298	6	Packing
11	107-0846	1	Cover	20:4	107-0847	1	Gasket
12	93-0457	2	Bolt And Washer ASM				

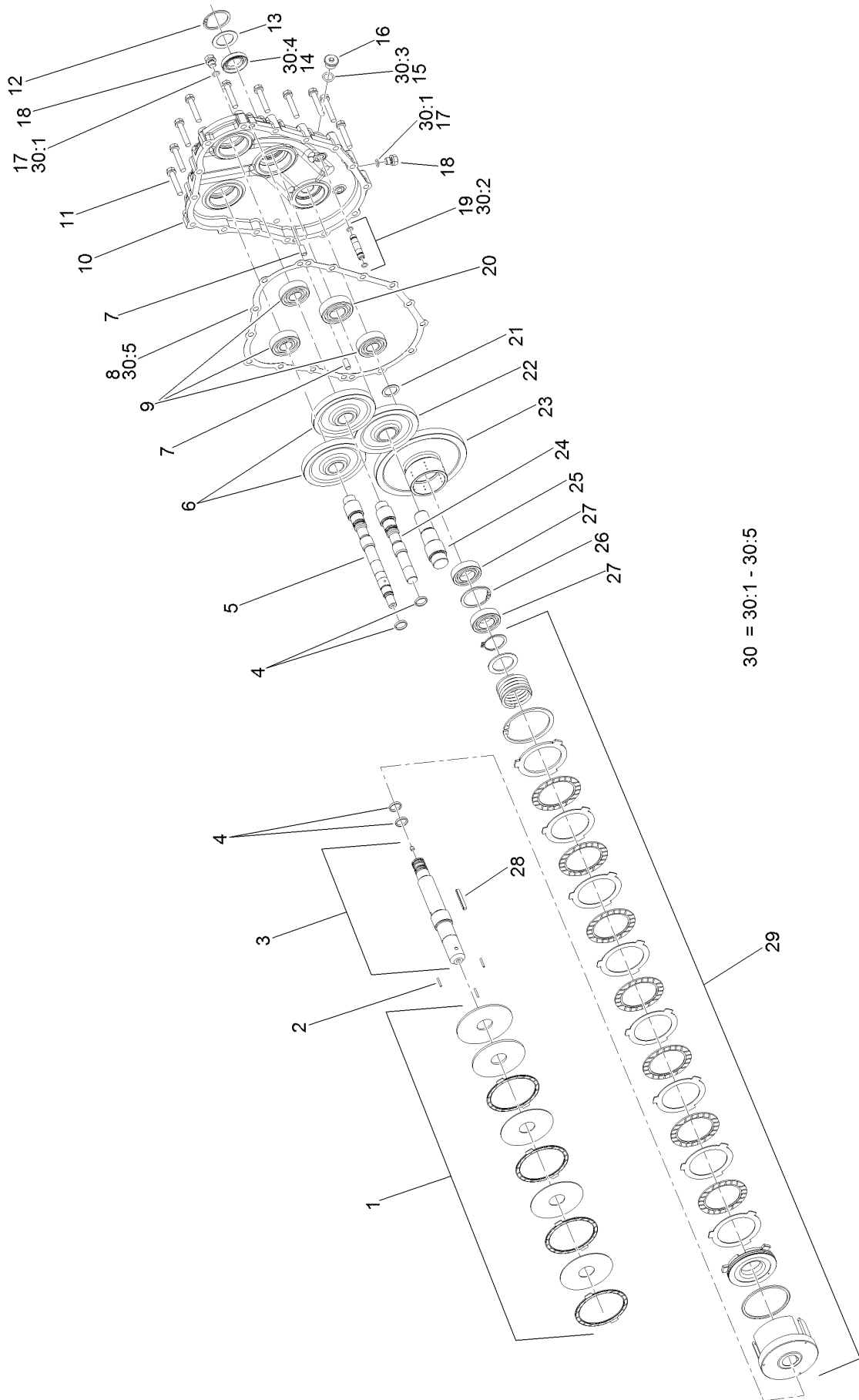
Center Section Assembly Transmission Assembly No. 131-5510



Center Section Assembly Transmission Assembly No. 131-5510 (continued)

<i>Ref.</i>	<i>Part Number</i>	<i>Qty.</i>	<i>Description</i>	<i>Ref.</i>	<i>Part Number</i>	<i>Qty.</i>	<i>Description</i>
1	107-0807	1	Valve-Flushing, RH	25	107-0867	1	Plug
2	107-0857	6	Plug	26	107-0812	1	Pipe
3	107-0817	6	O Ring-Plug	27	107-0852	1	Center Case Seal Kit
4	121-3377	1	Center Case, Complete	27:1	93-0418	2	O-Ring
6	107-0805	2	Plate-Valve	27:2	107-0817	6	O Ring-Plug
7	107-0824	2	Cylinder Block ASM	28	107-0813	1	Spacer
8	107-0830	2	Plate-Thrust	29	107-0853	1	Pump Housing Seal Kit
9	92-0765	4	Pin-Parallel	29:2	107-0810	1	Gasket-Case, Center
10	107-0859	6	Bolt	29:3	107-0817	2	O Ring-Plug
11	120-6681	2	U-Nut	29:4	104-3298	1	Packing
12	120-6680	2	Arm-Control	29:5	107-0814	3	Seal
13	107-0832	2	Side Cover ASM	29:6	107-0825	4	Ring-Seal
14	107-0829	2	Washer	30	120-6679	2	Plate-Swash
15	120-5151	1	Pump Housing ASM	31	107-0808	2	Valve-Bypass
16	107-0826	2	Bearing	32	107-0804	2	Valve-Rear
17	107-0821	1	Bearing	33	107-0803	2	Valve-Front
18	107-0838	1	Bearing	34	107-0863	8	Bolt
19	120-6682	2	Bolt	35	107-0806	1	Valve-Flushing, LH
23	107-0861	1	Plug-NPTF	36	92-0757	2	Ring-Snap
24	237-79	1	O-Ring				

Gear Case and Clutch Assembly Transmission Assembly No. 131-5510

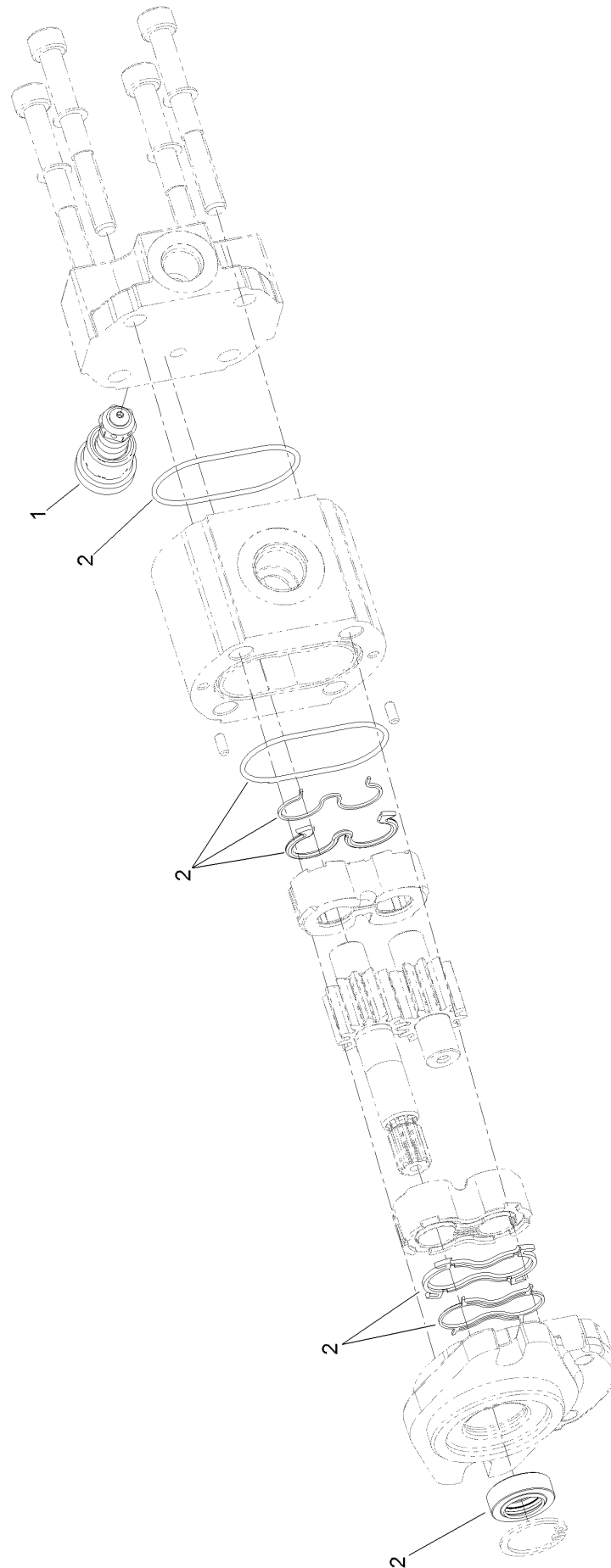


Gear Case and Clutch Assembly Transmission Assembly No. 131-5510 (continued)

<i>Ref.</i>	<i>Part Number</i>	<i>Qty.</i>	<i>Description</i>	<i>Ref.</i>	<i>Part Number</i>	<i>Qty.</i>	<i>Description</i>
1	107-0839	1	PTO Brake ASM	19	107-0811	1	Pipe
2	107-0837	3	Rod-Push	20	107-0821	2	Bearing
3	107-0833	1	PTO Shaft ASM	21	107-0836	1	Spacer
4	107-0825	2	Ring-Seal	22	107-0820	1	Gear-Input
5	107-0827	1	Shaft-Pump	23	107-0834	1	Gear-PTO
6	107-0823	2	Gear-Pump	24	107-0822	1	Shaft-Pump
7	92-0765	4	Pin-Parallel	25	107-0819	1	Shaft-Input
8	107-0816	1	Gasket-Housing, Gear	26	92-0758	1	Ring-Snap
9	107-0826	4	Bearing	27	107-0838	3	Bearing
10	120-5152	1	Housing-Case, Gear	28	107-0866	1	Key
11	107-0863	13	Bolt	29	107-0835	1	Clutch Cylinder ASM
12	92-0757	1	Ring-Snap	30	107-0854	1	Gear Housing Seal Kit
13	107-0813	1	Spacer	30:1	107-0817	2	O Ring-Plug
14	107-0814	1	Seal	30:2		2	O-Ring ●
15	104-3298	1	Packing	30:3	104-3298	1	Packing
16	107-0861	1	Plug-NPTF	30:4	107-0814	1	Seal
17	107-0817	6	O Ring-Plug	30:5	107-0816	1	Gasket-Housing, Gear
18	107-0857	6	Plug				

● Not serviced separately

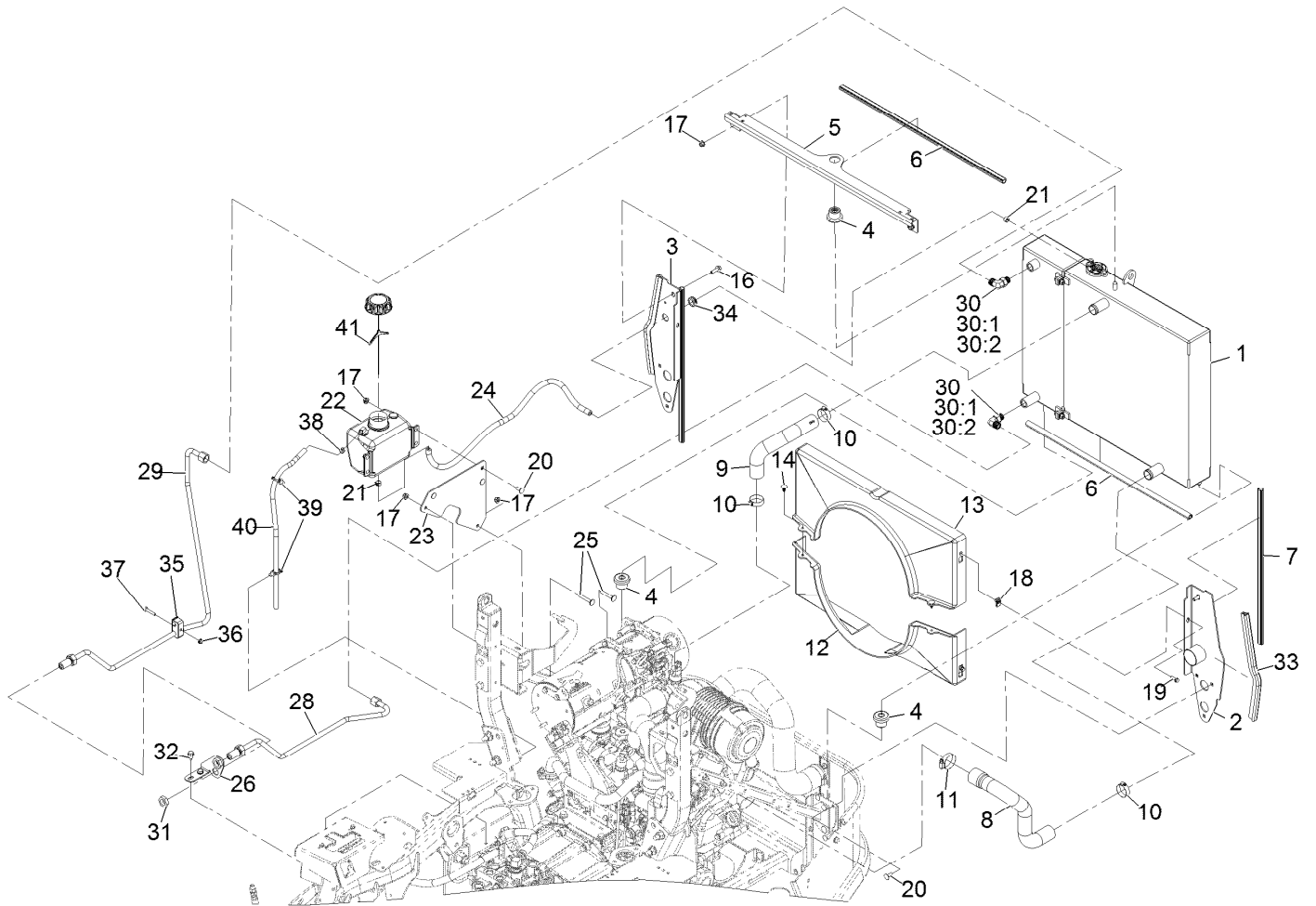
Hydraulic Gear Pump Assembly No. 112-9542



Hydraulic Gear Pump Assembly No. 112-9542 (continued)

<i>Ref.</i>	<i>Part Number</i>	<i>Qty.</i>	<i>Description</i>
1	112-0198	1	Valve
2	112-0199	1	Seal Kit

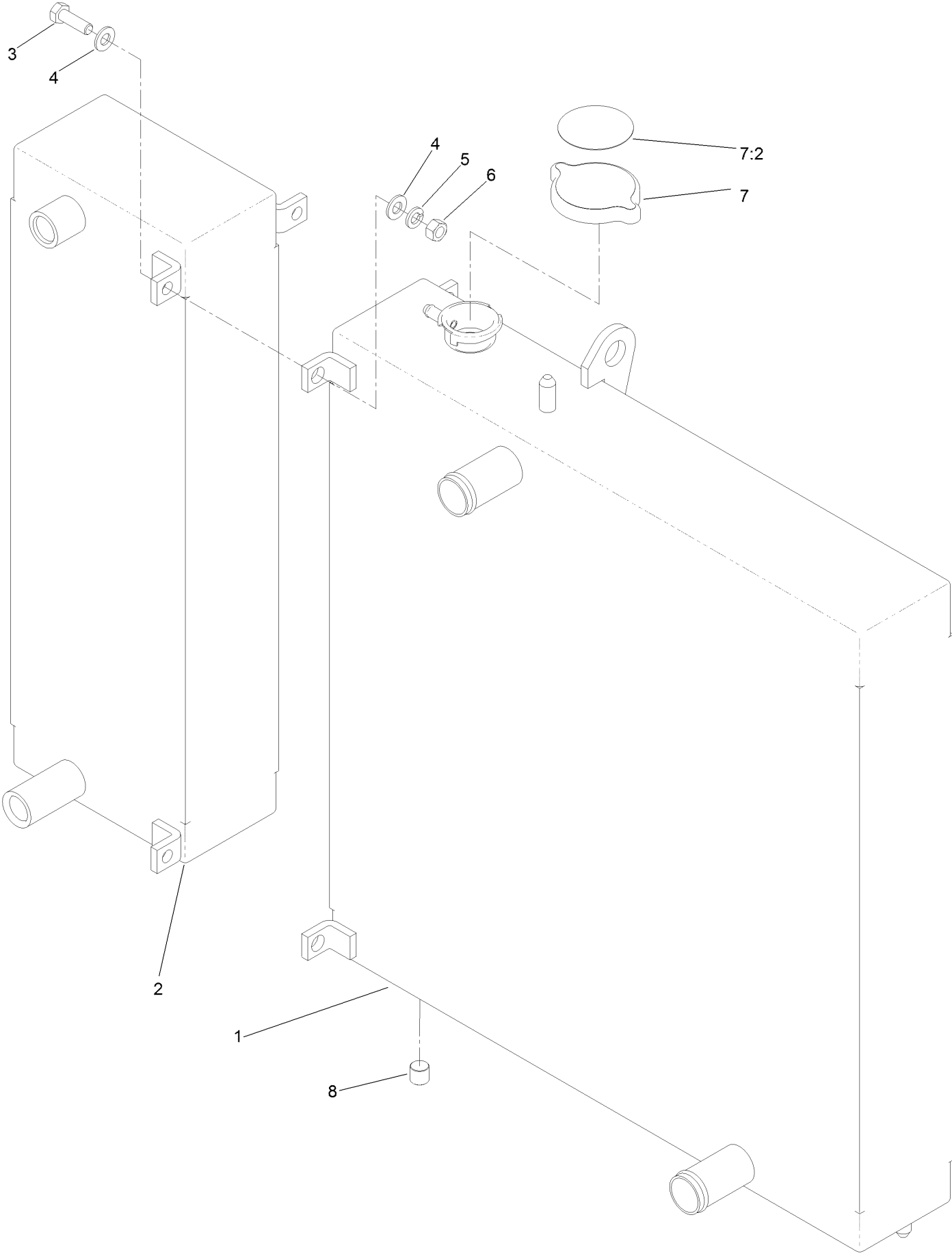
Cooling Assembly



Cooling Assembly (continued)

<i>Ref.</i>	<i>Part Number</i>	<i>Qty.</i>	<i>Description</i>	<i>Ref.</i>	<i>Part Number</i>	<i>Qty.</i>	<i>Description</i>
1	121-3330	1	Cooling ASM	23	126-9178-03	1	Bracket-Bottle
2	126-9026-03	1	Support-Radiator, LH	24	126-7648	1	Hose
3	126-9028-03	1	Support-Radiator, RH	25	3230-6	2	Bolt-CARR
4	119-1422	3	Mount-Isolator	26	126-6781-03	1	Bracket-Bulkhead
5	120-0068-03	1	Bracket-Cooling, Top	28	126-8691	1	Hydraulic Tube ASM
6	119-1427	2	Seal-Bulb	29	126-8690	1	Hydraulic Tube ASM
7	119-1426	2	Seal-Bulb	30	340-98	2	Fitting-Elbow, 90 DEG
8	121-3322	1	Hose-Radiator, Lower	30:1	237-79	1	O-Ring
9	121-3321	1	Hose-Radiator, Upper	30:2	237-30	1	O-Ring
10	2412-34	3	Clamp-Hose	31	340-127	2	Nut-Bulkhead
11	2412-130	1	Clamp-Hose	32	32144-70	2	Screw-HWHTF
12	121-3311	1	Shroud-Bottom	33	126-6847	2	Seal-Bulb
13	121-3312	1	Shroud-Top	34	237-124	1	Grommet
14	117-2382	2	Plug-Plastic	35	135-0641	1	Clamp-Twin
16	3234-29	2	Screw-HHF	36	104-7201	1	Nut-HF
17	104-8300	13	Nut-HF, NI	37	321-13	1	Screw-HH
18	107069	4	Clip	38	2412-98	1	Clamp-Hose
19	32105-15	4	Screw-HWH	39	32180-030	2	Clip-Tie
20	3230-23	9	Screw-CARR	40	110-4103	1	Hose-Fuel
21	92-2379	2	Clamp-Hose	41	135-4693	1	Cap-W/Tether
22	135-4692	1	Tank-Overflow, W/Cap				

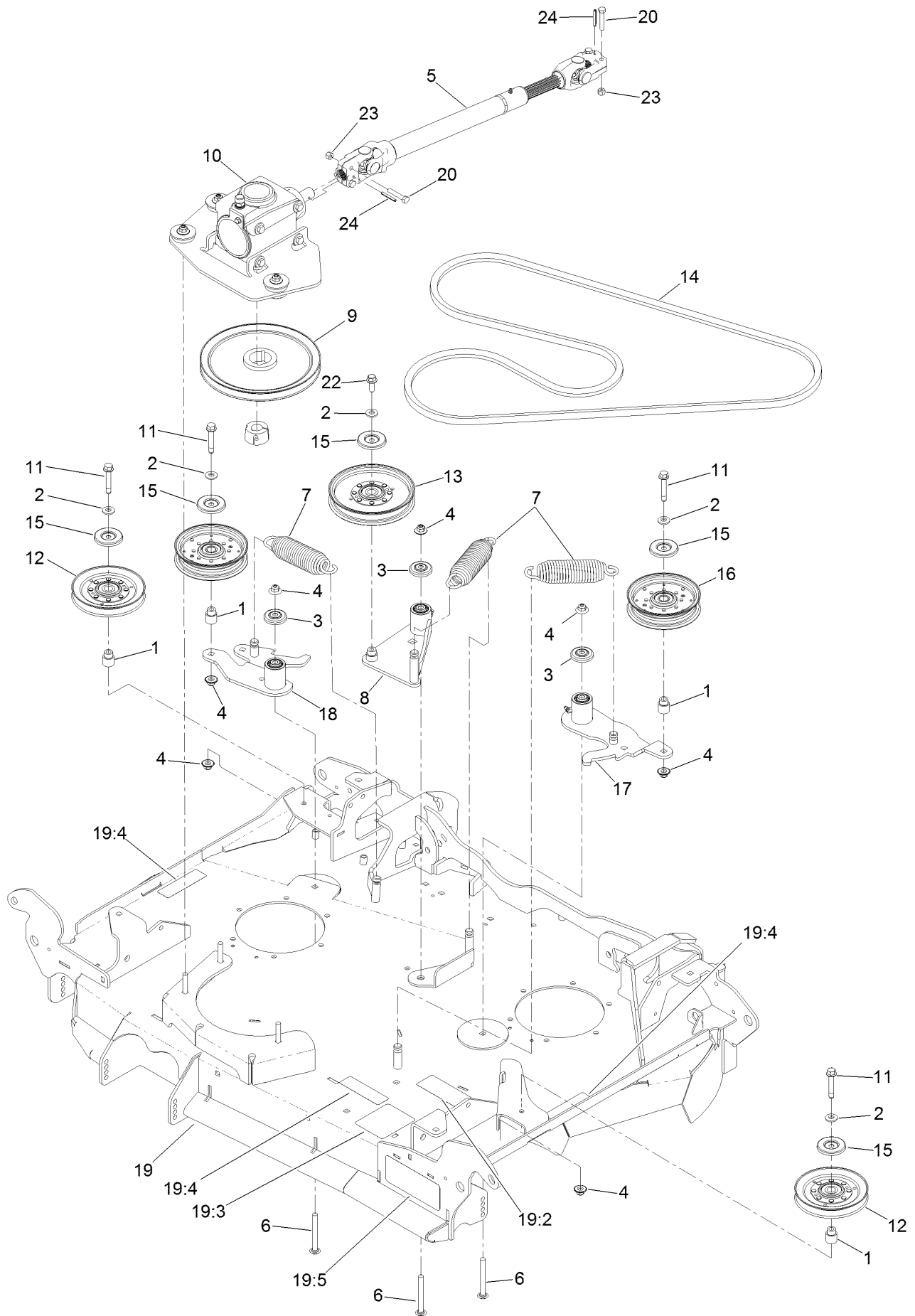
Cooling Assembly No. 121-3330



Cooling Assembly No. 121-3330 (continued)

<i>Ref.</i>	<i>Part Number</i>	<i>Qty.</i>	<i>Description</i>	<i>Ref.</i>	<i>Part Number</i>	<i>Qty.</i>	<i>Description</i>
1	121-3328	1	Radiator	6	3217-6	3	Nut-Hex
2	121-3329	1	Oil Cooler	7	119-1430	1	Radiator Cap ASM
3	322-5	3	Screw-HH	7:2	117-3276	1	Decal-Danger
4	3256-23	6	Washer-Plain	8	99-8551	1	Plug-Pipe
5	3253-4	3	Washer-Lock				

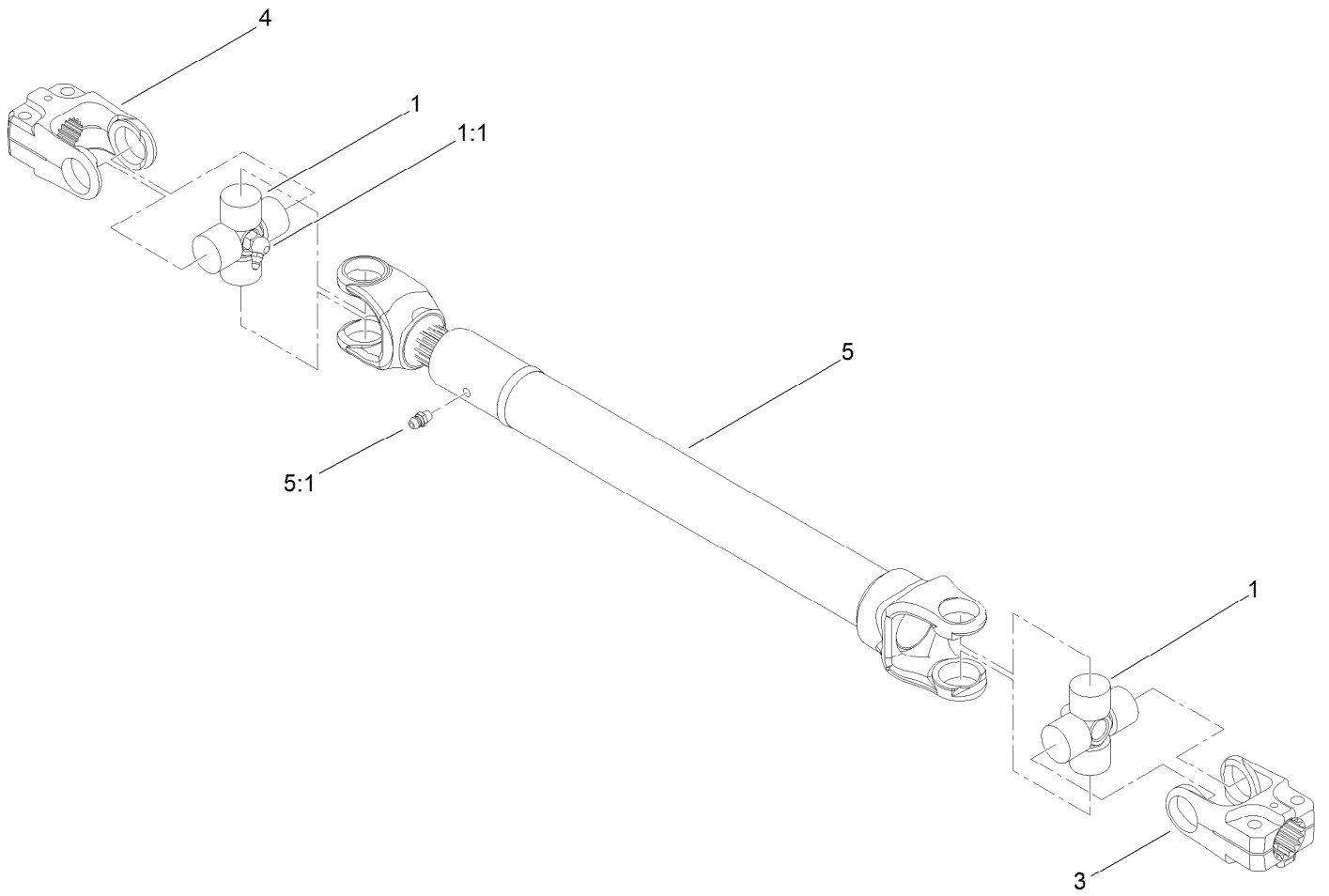
Center Deck Assembly



Center Deck Assembly (continued)

<i>Ref.</i>	<i>Part Number</i>	<i>Qty.</i>	<i>Description</i>	<i>Ref.</i>	<i>Part Number</i>	<i>Qty.</i>	<i>Description</i>
1	1-633456	4	Bushing, Idler	15	126-8043	5	Shield-Dust
2	98-5975	5	Washer-Belleville	16	126-9187	2	Pulley-Idler, Flat
3	103-2916	3	Guard-Top	17	126-9435	1	Idler ASM
4	109-6658	7	Nut-Flange, NI	18	126-9438	1	Idler ASM
5	110-3575	1	Driveshaft ASM	19	135-0359	1	Center Deck ASM
6	116-1502	3	Bolt-Shoulder, Carriage	19:2	126-9127	1	Decal-Routing, Belt
7	116-6317	3	Spring-Extension	19:3	109-6036	1	Decal-Roller, Anti-Scalp
8	126-2585	1	Idler Arm ASM	19:4	112-9028	3	Decal-Cover, Missing
9	126-2822	1	Pulley	19:5	136-9041	1	Decal
10	126-2951	1	Gearbox ASM	20	322-9	4	Screw-HH
11	126-2956	4	Screw-HHF	22	3234-42	1	Screw-HHF
12	126-2960	2	Idler-V	23	3296-29	4	Nut-Lock, NI
13	126-7685	1	Idler-Pulley	24	32121-34	2	Pin-Roll
14	126-7924	1	V-Belt				

Driveshaft Assembly No. 110-3575

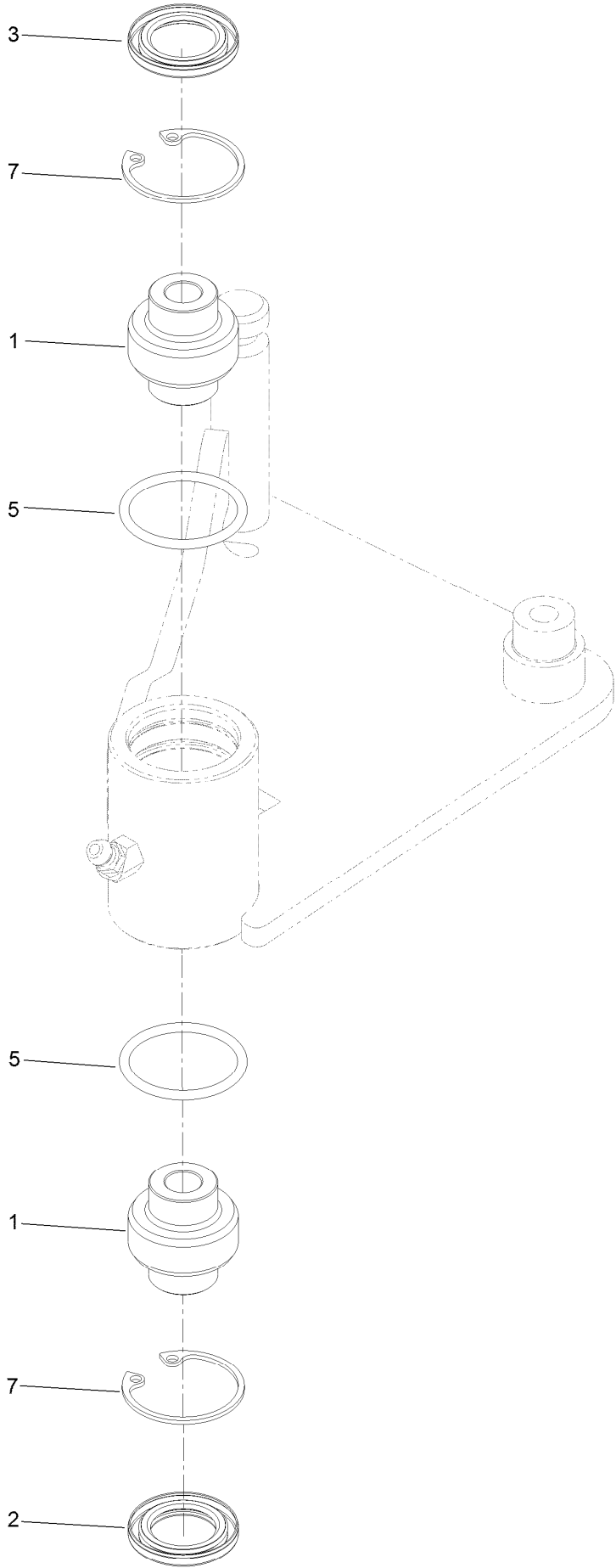


Driveshaft Assembly No. 110-3575 (continued)

<i>Ref.</i>	<i>Part Number</i>	<i>Qty.</i>	<i>Description</i>	<i>Ref.</i>	<i>Part Number</i>	<i>Qty.</i>	<i>Description</i>
1	112-1687	2	Cross And Bearing Kit	4	54-9090	1	Yoke-End
1:1	62-3820	1	Fitting-Grease	5		1	Tube-Yoke, Slip ●
3	54-9040	1	Yoke-End	5:1	302-22	1	Fitting-Grease

● Not serviced separately

Idler Arm Assembly No. 126-2585

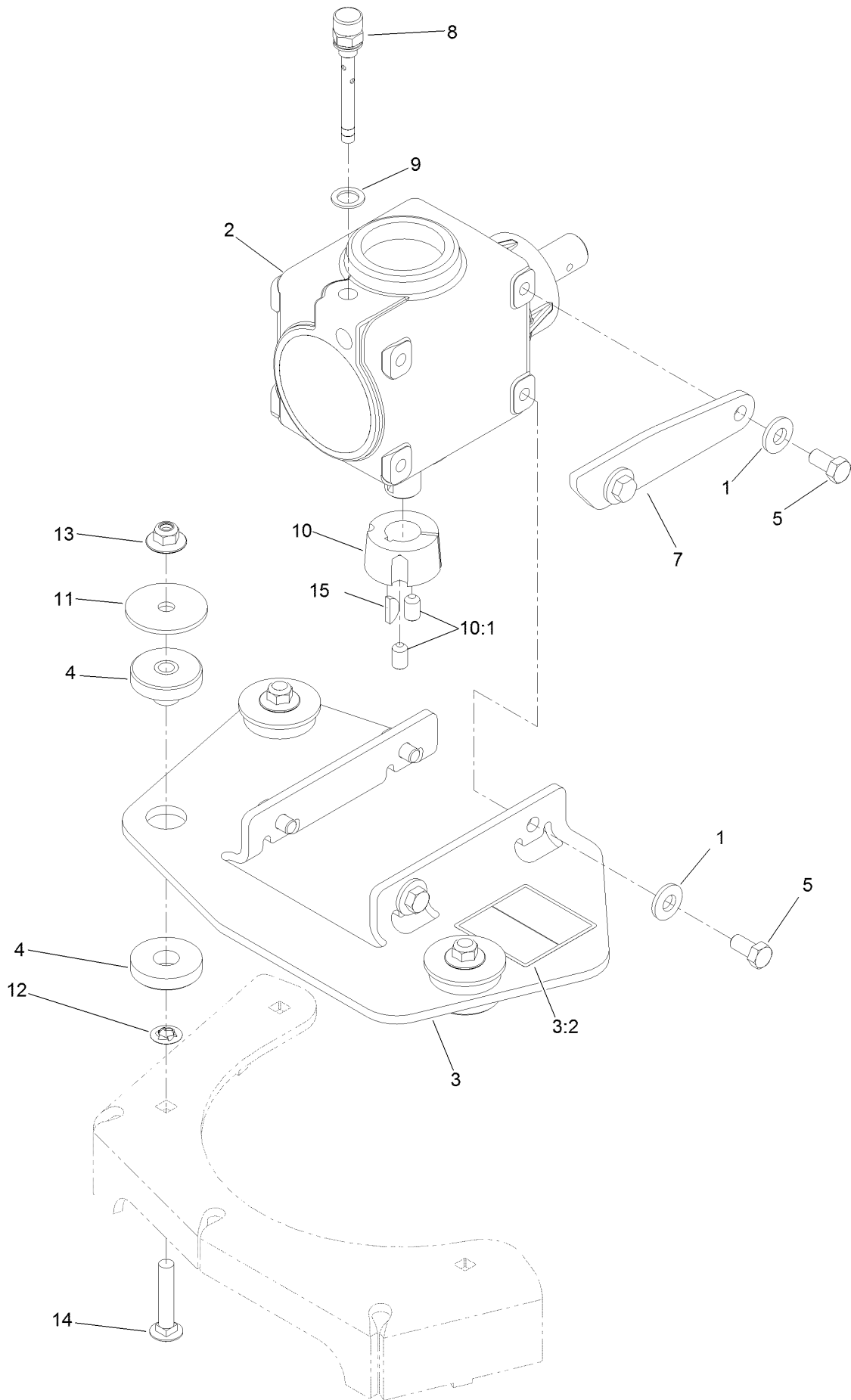


Idler Arm Assembly No. 126-2585 (continued)

<i>Ref.</i>	<i>Part Number</i>	<i>Qty.</i>	<i>Description</i>
1	103-3504	2	Bearing-Spherical
2	103-3505	1	Seal-Lip, Double
3	103-3506	1	Seal-Lip, Single

<i>Ref.</i>	<i>Part Number</i>	<i>Qty.</i>	<i>Description</i>
5	106-7159	2	O-Ring
7	32120-10	2	Ring-Snap

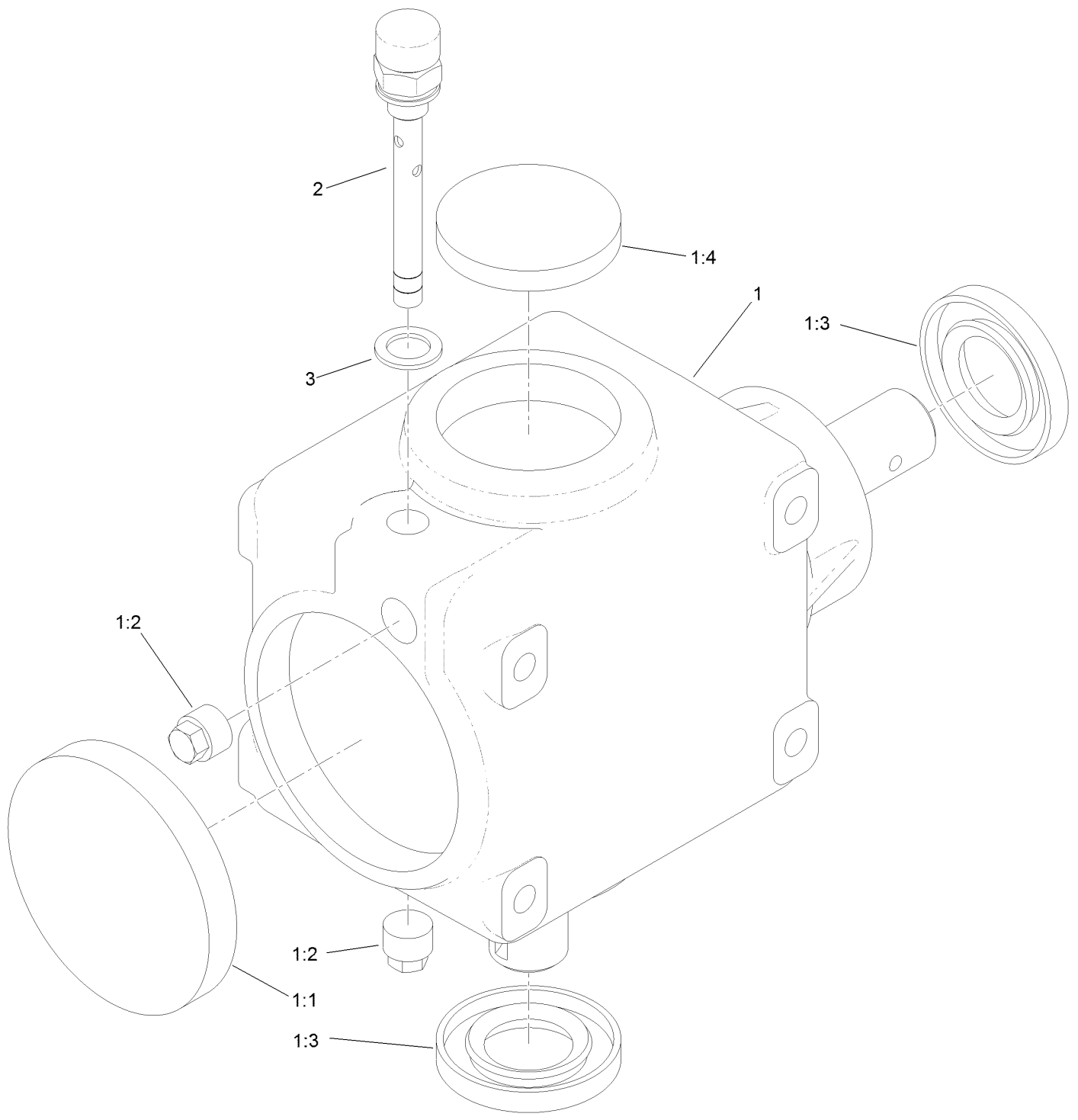
Gear Box and Mount Assembly No. 126-2951



Gear Box and Mount Assembly No. 126-2951 (continued)

<i>Ref.</i>	<i>Part Number</i>	<i>Qty.</i>	<i>Description</i>	<i>Ref.</i>	<i>Part Number</i>	<i>Qty.</i>	<i>Description</i>
1	98-5975	6	Washer-Belleville	9	130-4899	1	Washer
2	130-8659	1	Gearbox ASM	10	23-1640	1	Bushing-Taperlock
3	135-0874	1	Mount-Gearbox	10:1	3247-4	2	Screw-Set
3:2	135-0679	1	Decal-Hazard, Entanglement	11	83-1040	3	Washer-Flat
4	126-3074	3	Mount-ISO	12	107-3154	3	Nut-Push
5	323-4	6	Screw-HH	13	109-6658	3	Nut-Flange, NI
7	126-3544	1	Stop-Gearbox	14	3231-6	3	Screw-CARR
8	130-8661	1	Plug-Breather	15	3257-5	1	Key-Woodruff

Gearbox Assembly No. 130-8659

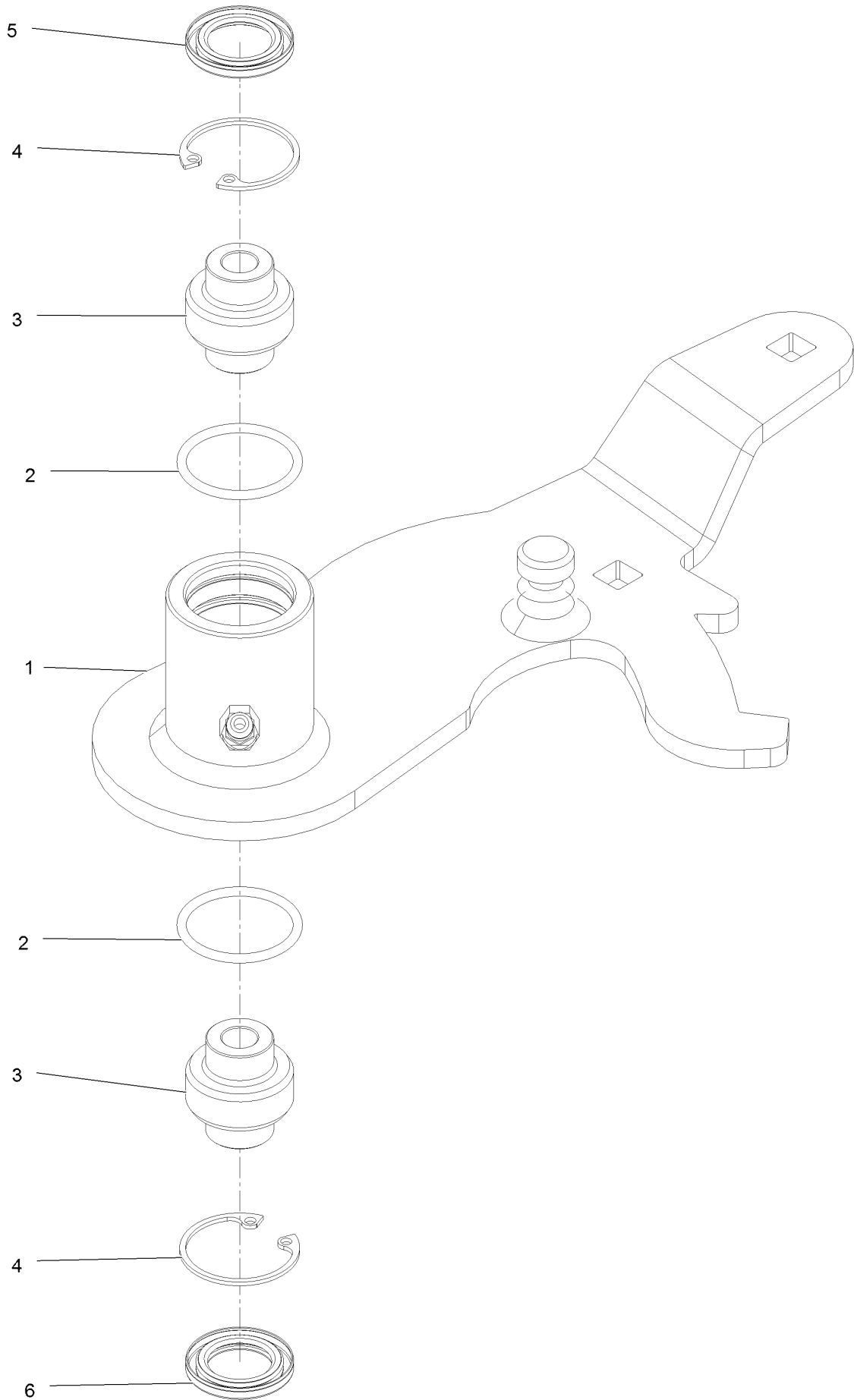


Gearbox Assembly No. 130-8659 (continued)

<i>Ref.</i>	<i>Part Number</i>	<i>Qty.</i>	<i>Description</i>	<i>Ref.</i>	<i>Part Number</i>	<i>Qty.</i>	<i>Description</i>
1		1	Gearbox ASM ●	1:4	107-2935	1	Cap-Oil
1:1	107-2932	1	Cap-Oil	2	130-8661	1	Plug-Breather
1:2	107-2933	2	Plug	3	130-4899	1	Washer
1:3	117-9247	2	Seal				

● Not serviced separately

Idler Assembly No. 126-9435



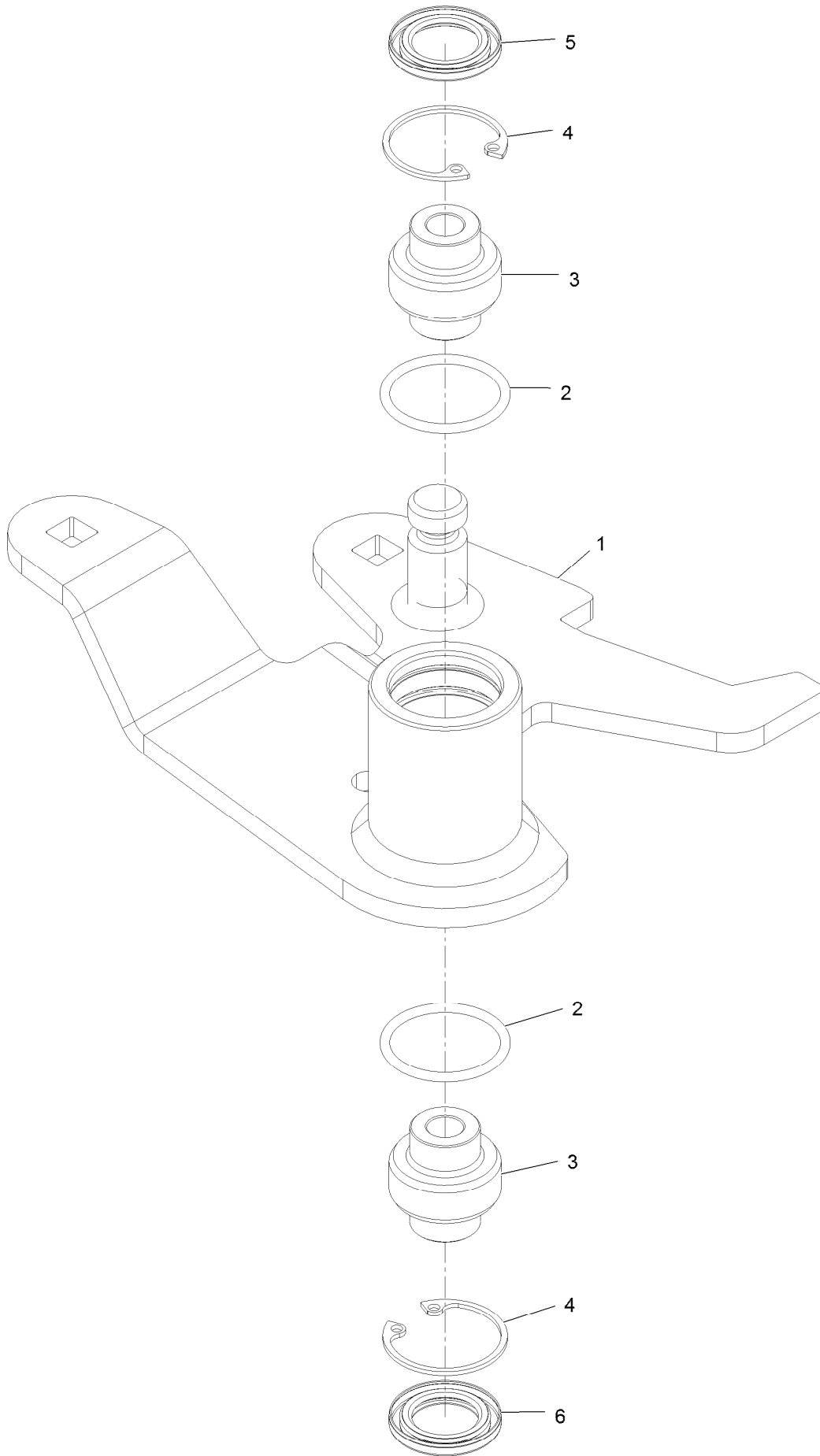
Idler Assembly No. 126-9435 (continued)

<i>Ref.</i>	<i>Part Number</i>	<i>Qty.</i>	<i>Description</i>
1		1	ASM-Idler Arm 96Rd LH [red] ●
2	106-7159	2	O-Ring
3	103-3504	2	Bearing-Spherical

<i>Ref.</i>	<i>Part Number</i>	<i>Qty.</i>	<i>Description</i>
4	32120-10	2	Ring-Snap
5	103-3506	1	Seal-Lip, Single
6	103-3505	1	Seal-Lip, Double

● Not serviced separately

Idler Assembly No. 126-9438



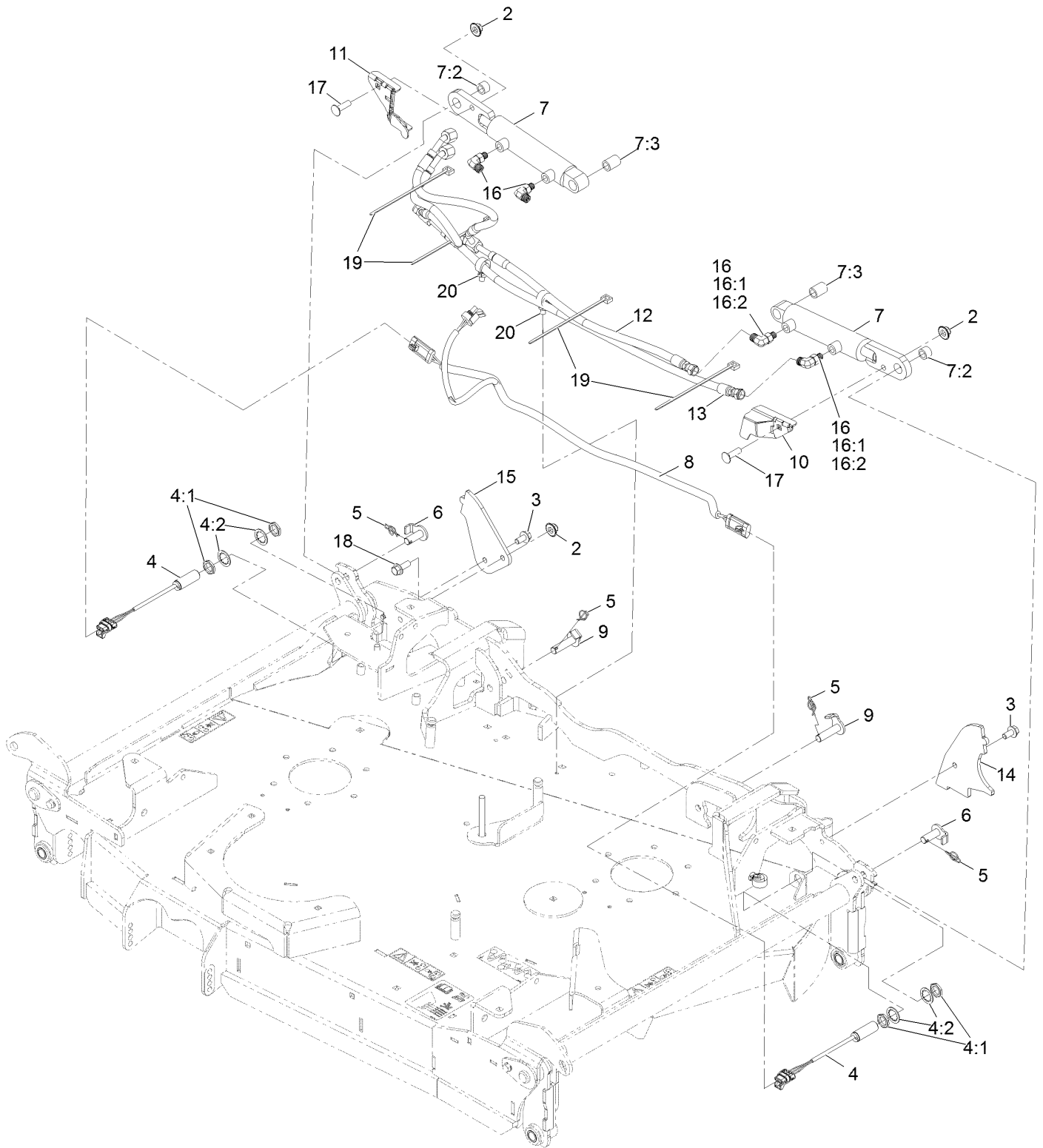
Idler Assembly No. 126-9438 (continued)

<i>Ref.</i>	<i>Part Number</i>	<i>Qty.</i>	<i>Description</i>
1		1	ASM-Idler Arm, 96Rd [red] ●
2	106-7159	2	O-Ring
3	103-3504	2	Bearing-Spherical

<i>Ref.</i>	<i>Part Number</i>	<i>Qty.</i>	<i>Description</i>
4	32120-10	2	Ring-Snap
5	103-3506	1	Seal-Lip, Single
6	103-3505	1	Seal-Lip, Double

● Not serviced separately

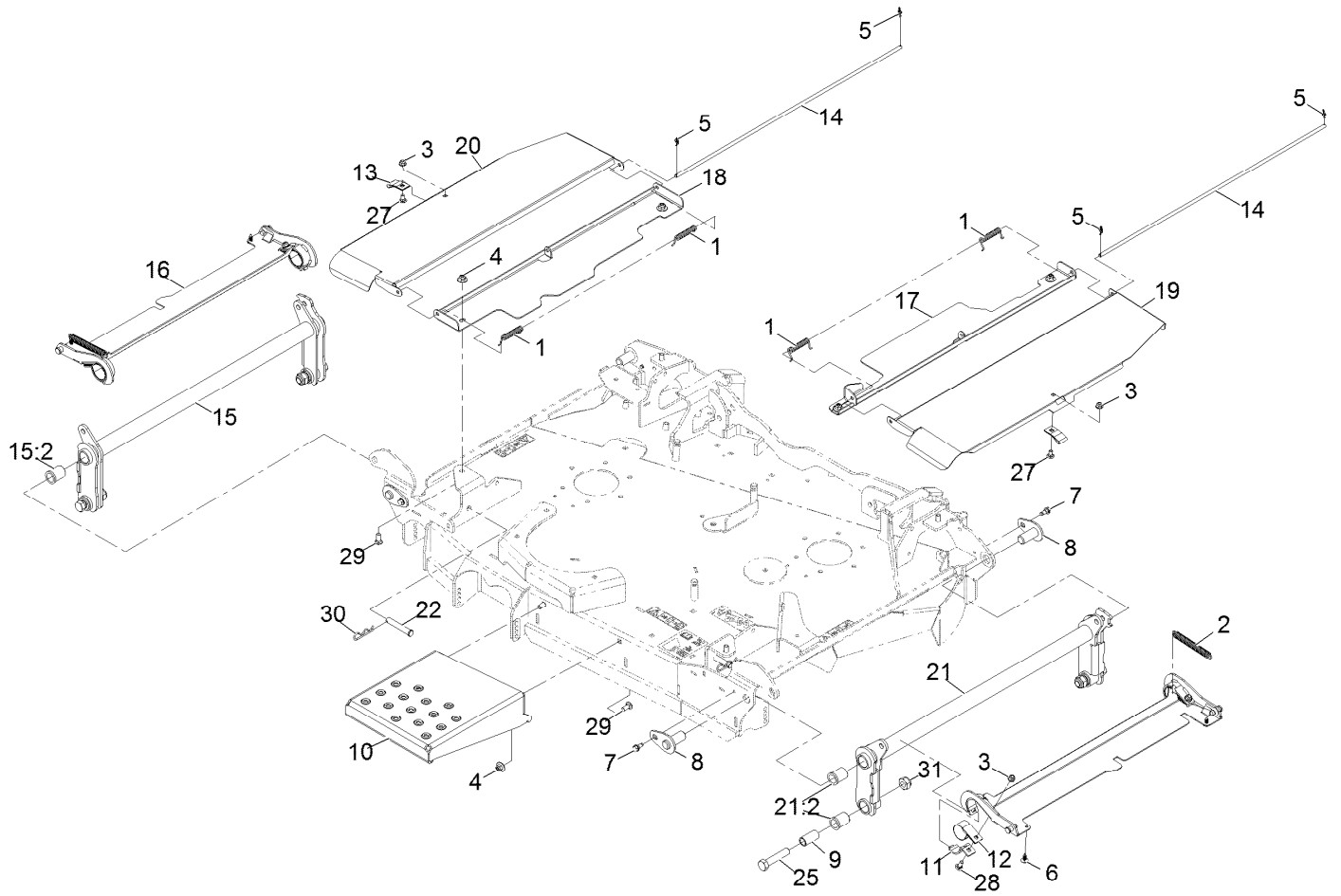
Folding Deck Hydraulic Assembly



Folding Deck Hydraulic Assembly (continued)

<i>Ref.</i>	<i>Part Number</i>	<i>Qty.</i>	<i>Description</i>	<i>Ref.</i>	<i>Part Number</i>	<i>Qty.</i>	<i>Description</i>
2	109-6658	3	Nut-Nyloc 3/8-16 Flg	11	135-3775	1	ASM-Prox Target, RH
3	110-9380	2	Screw-HWH	12	135-1760	1	Hose ASM
4	115-5300	2	Proximity Switch ASM	13	135-1761	1	Hose ASM
4:1	117-3207	2	Nut-Hex	14	135-2628-01	1	Bracket-Deck Stop, LH
4:2	117-3208	2	Washer-Lock, Internal Tooth	15	135-2629-01	1	Bracket-Deck Stop, RH
5	126-8417	4	Pin-Cotter, Locking	16	340-132	4	Fitting-Elbow, 90 DEG
6	126-8448	2	Pin-Cylinder	16:1	237-78	1	O-Ring
7	126-9000	2	Deck Fold Cylinder ASM	16:2	237-21	1	O-Ring
7:2	126-8439	1	Bushing	17	3231-28	2	Bolt-Carriage 3/8-16 X 1 1/4
7:3	126-8440	1	Bushing	18	3234-42	1	Screw HHF 3/8-16 X 1
8	126-9372	1	Harness-Wire	19	3290-378	4	Tie-Cable
9	126-9403	2	Pin-Base, CYL	20	32180-030	4	Clip-Tie
10	135-3774	1	ASM-Prox Target, LH				

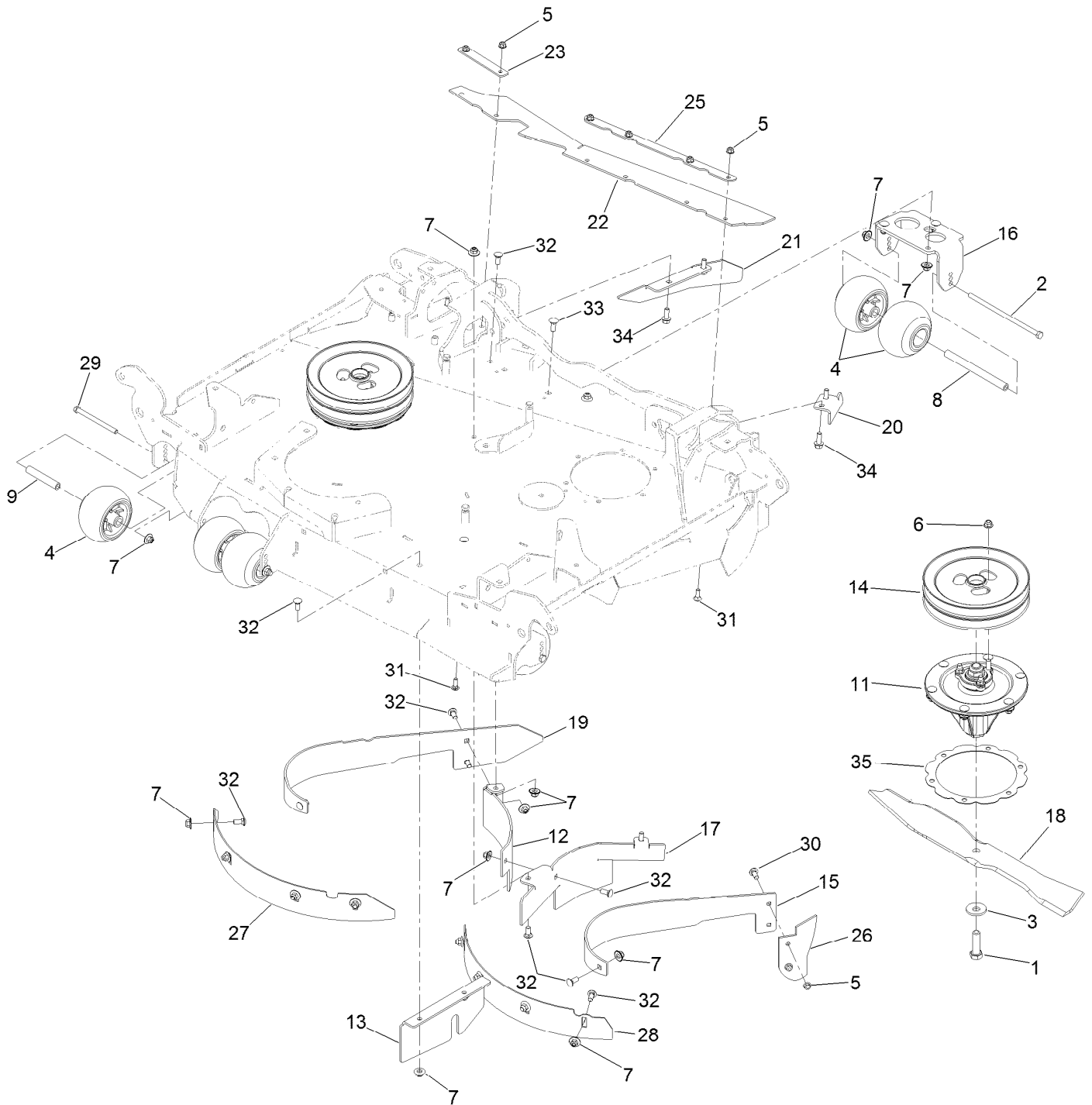
Center Deck Guard Assembly



Center Deck Guard Assembly (continued)

<i>Ref.</i>	<i>Part Number</i>	<i>Qty.</i>	<i>Description</i>	<i>Ref.</i>	<i>Part Number</i>	<i>Qty.</i>	<i>Description</i>
1	99-5293	4	Spring-Torsion	15:2	135-1841	4	Bushing-Flanged
2	103-4813	2	Spring	16	135-2630-01	2	Cover-Wing
3	104-8300	6	Nut-HF, NI	17	135-2651-01	1	Shield-Center, LH
4	109-6658	6	Nut-Flange, NI	18	135-2652-01	1	Shield-Center, RH
5	116-6639	4	Pin-Cotter, Locking	19	135-1839-03	1	Panel-Shield Hinge, LH
6	117-2382	4	Plug-Plastic	20	135-1840-03	1	Panel-Shield Hinge, RH
7	126-4424	4	Screw-Shoulder	21	135-1844	1	LH Fold Arm ASM
8	126-9411	4	Pin-Deck	21:2	135-1841	4	Bushing-Flanged
9	135-5125	4	Bushing-Float, Deck	22	283-55	2	Pin-Clevis
10	126-9745-03	1	Panel-Step	25	327-9	4	Screw-HH
11	126-9764	4	Plate-Retainer, Bearing	27	3230-15	2	Screw-CARR
12	135-0584	4	Strap-Bearing, Nylon	28	3230-16	4	Screw-CARR
13	135-0608	2	Bearing-Strap, Nylon	29	3231-12	6	Bolt-CARR
14	135-1023	2	Cover-Rod, Pivot	30	3290-355	2	Pin-Hair
15	135-1046	1	RH Fold Arm ASM	31	3296-61	4	Nut-Lock

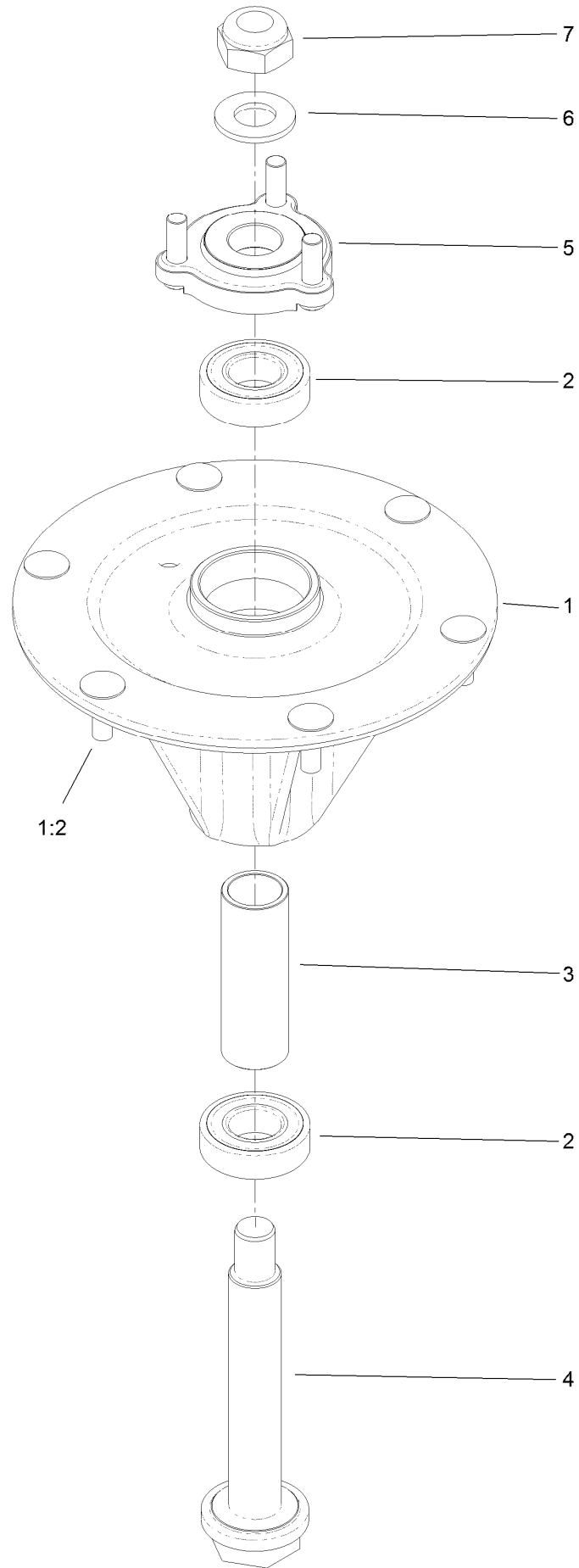
Center Deck Spindle, Blade and Baffle Assembly



Center Deck Spindle, Blade and Baffle Assembly (continued)

<i>Ref.</i>	<i>Part Number</i>	<i>Qty.</i>	<i>Description</i>	<i>Ref.</i>	<i>Part Number</i>	<i>Qty.</i>	<i>Description</i>
1	51-4060	2	Screw-Blade	19	135-2451-01	1	Baffle-Dogleg, Center (RH)
2	99-7203	4	Screw-HH	20	135-2452-01	1	Baffle-Breaker
3	103-0865	2	Washer-Blade Bolt, Heavy	21	135-2453-01	1	Plate-Fin, Discharge
4	103-8415	9	Roller-Anti-Scalp	22	135-2618	1	Flap-Discharge
5	104-8300	8	Nut-HF, NI	23	135-2455-03	1	Support-Flap, LH
6	104-8301	6	Nut-HF, NI	25	135-2457-03	1	Support-Flap, LH
7	109-6658	38	Nut-Flange, NI	26	135-2458	1	Guard-Discharge
8	126-6115	4	Spacer-Wheel	27	135-2459-01	1	Baffle-Depth, LH
9	126-7140	1	Spacer-Wheel, Short	28	135-2460-01	1	Baffle-Depth, RH
11	127-0560	2	Spindle ASM	29	323-38	1	Screw-HH
12	135-0601-01	1	Baffle-Center, Rear (RH)	30	3230-22	2	Screw-CARR
13	135-0603-01	1	Plate-Block, Front	31	3230-16	6	Screw-CARR
14	135-0746	2	Sheave-Double	32	3231-12	18	Bolt-CARR
15	135-0792-01	1	Baffle-Dogleg, Center (LH)	33	3231-2	3	Bolt-CARR
16	135-1036-01	1	Bracket-Antiscalp, Rear	34	3234-11	6	Screw-HHF
17	135-1827-01	1	Baffle-Center	35	135-2639	2	Ring-Spacer, Housing
18	135-2446	2	Blade-Mulch, 24.5In				

Spindle Assembly No. 127-0560

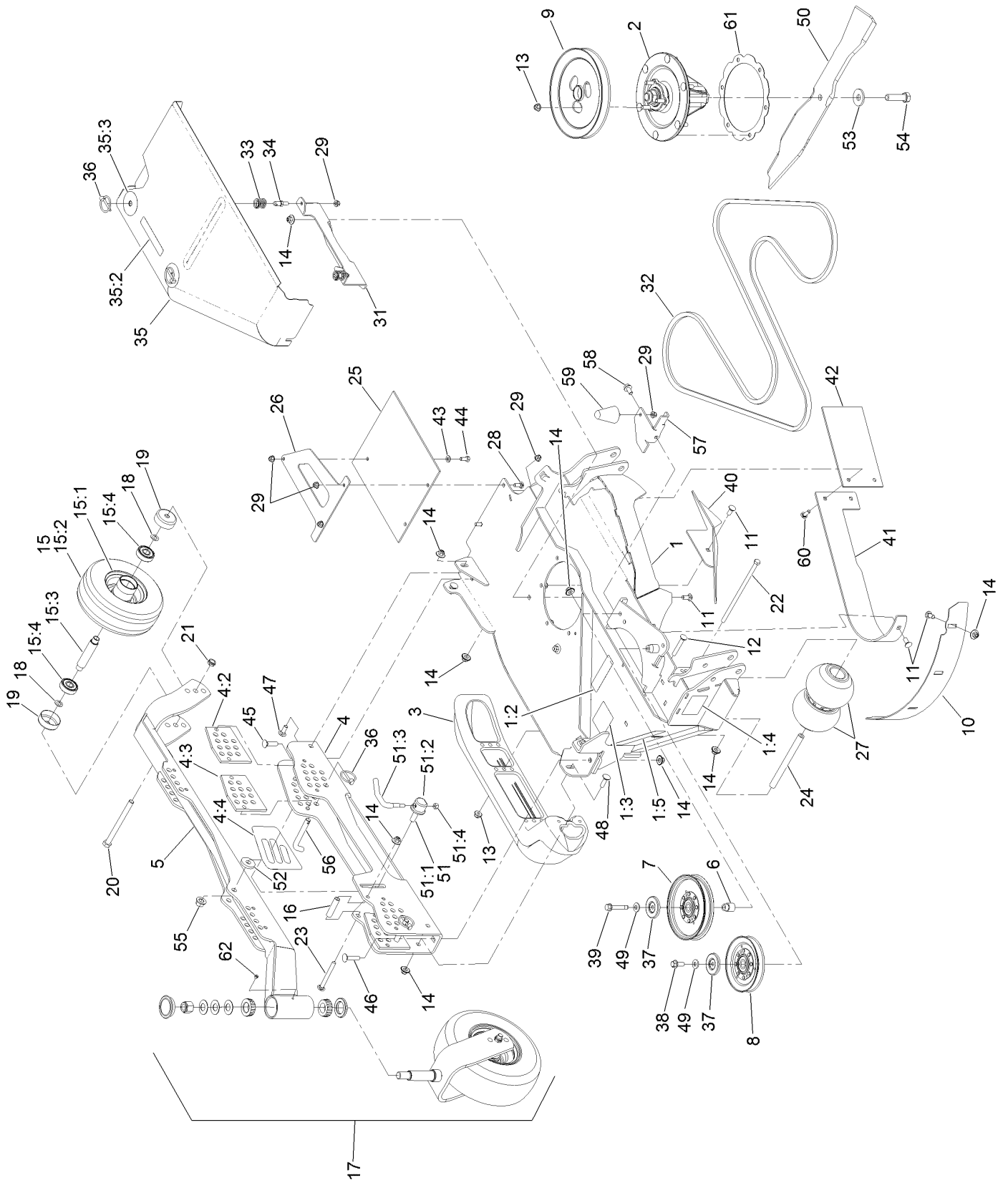


Spindle Assembly No. 127-0560 (continued)

<i>Ref.</i>	<i>Part Number</i>	<i>Qty.</i>	<i>Description</i>	<i>Ref.</i>	<i>Part Number</i>	<i>Qty.</i>	<i>Description</i>
1		1	Spindle Housing ASM W/Studs ●	4	127-0556	1	Shaft-Spindle, Ball Bearing
1:2	114-8195	6	Bolt-Neck, Ribbed	5	127-0557	1	Hub-Spindle (W/Studs)
2	116-0720	2	Bearing-Ball	6	92-5836	1	Washer
3	127-0554	1	Spacer-Bearing	7	3296-67	1	Nut-Lock, NI

● Not serviced separately

RH Wing Deck Assembly

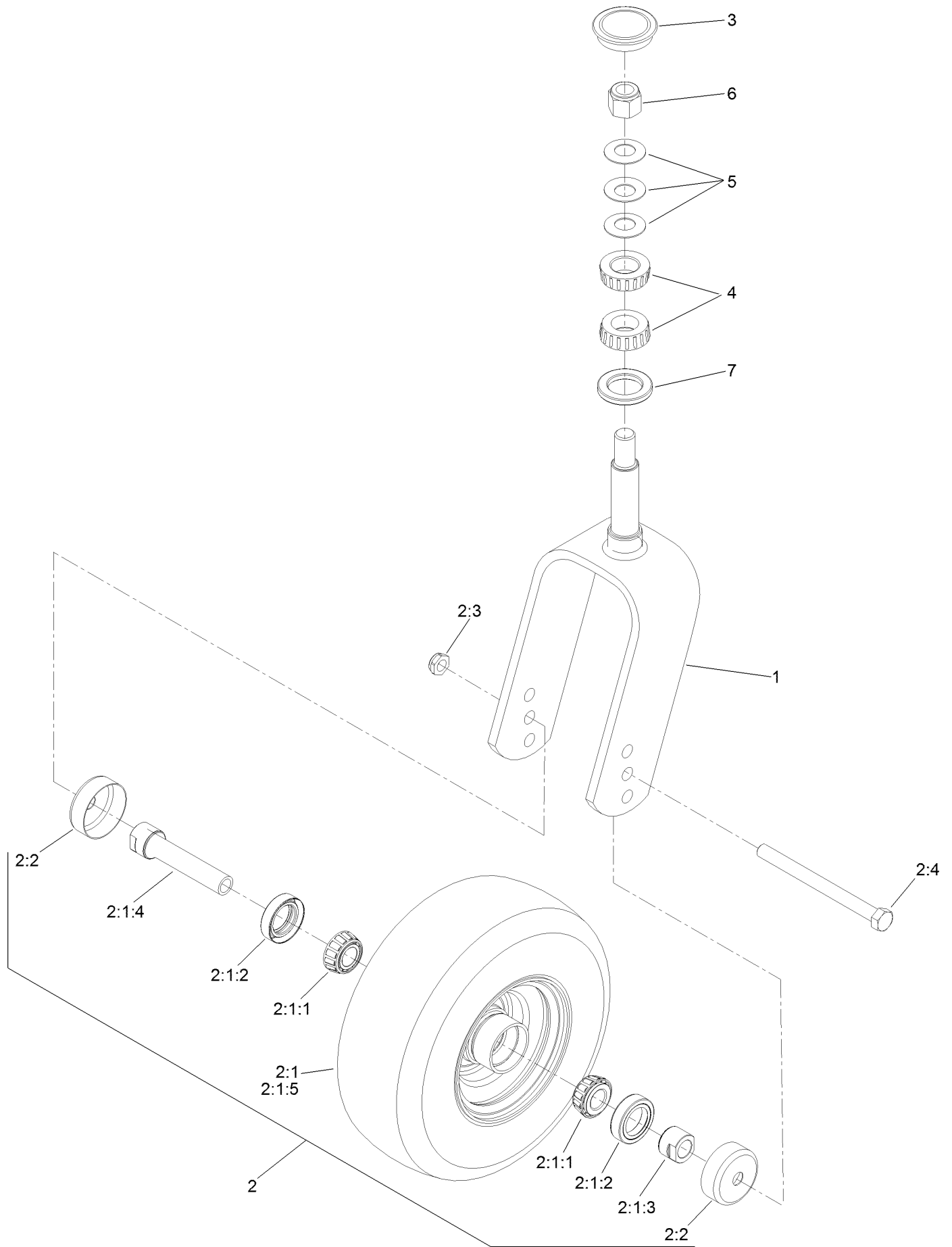


RH Wing Deck Assembly (continued)

<i>Ref.</i>	<i>Part Number</i>	<i>Qty.</i>	<i>Description</i>	<i>Ref.</i>	<i>Part Number</i>	<i>Qty.</i>	<i>Description</i>
1	135-0718	1	RH Wing Deck Decal ASM	29	104-8300	8	Nut-HF, NI
1:2	112-9028	1	Decal-Cover, Missing	31	135-2653-03	1	Bracket-Shield Mount, Outer
1:3	135-0664	1	Decal-Danger, Thrown Object	32	126-6447	1	Belt-V
1:4	135-0670	1	Decal-Warning, Pinch Point	33	126-1503	2	Spring
1:5	136-9042	1	Decal	34	126-1504	2	Pin-Spring
2	127-0560	1	Spindle ASM	35	135-1816	1	RH Wing Shield ASM
3	112-1479	1	Skid-Bumper, Deck	35:2	93-6687	1	Decal-No Step
4	135-5595	1	RH HOC Channel ASM	35:3	135-3165	2	Decal-Cover, Scratch
4:2	135-2422	2	Plate-Guide, HOC (LH)	36	92-1298	4	Pin-Lynch
4:3	135-2423	2	Plate-Guide, HOC (RH)	37	126-8043	2	Shield-Dust
4:4	126-8760	2	Decal-HOC, RH	38	3234-42	1	Screw-HHF
5	135-3788-01	1	Tube-HOC, RH	39	126-2956	1	Screw-HHF
6	1-633456	1	Bushing, Idler	40	135-2448-01	1	Baffle-Deflect, RH
7	126-7685	1	Idler-Pulley	41	135-0795-01	1	Baffle-Dogleg, RH
8	126-2960	1	Idler-V	42	135-0091	1	Flap-Rubber
9	135-0745-03	1	Sheave-Single	43	3256-23	1	Washer-Plain
10	135-2460-01	1	Baffle-Depth, RH	44	322-3	1	Screw-HH
11	3231-12	8	Bolt-CARR	45	3231-4	1	Screw-CARR
12	3231-31	2	Screw-CARR	46	3231-5	1	Screw-CARR
13	104-8301	5	Nut-HF, NI	47	3231-2	3	Bolt-CARR
14	109-6658	23	Nut-Flange, NI	48	3231-25	1	Bolt-CARR
15		1	Wheel And Tire ASM ●	49	98-5975	2	Washer-Belleville
15:1	135-2646	1	Wheel	50	135-2446	1	Blade-Mulch, 24.5In
15:2	112-7065	1	Tire	51	107-1664	1	Lever ASM
15:3	126-7904	1	Axle-Caster	51:1	106-3239	1	Screw-Lock
15:4	116-4004	2	Bearing	51:2	107-1644	1	Cap-Lock
16	135-2424	1	Spacer	51:3	106-3241	1	Lever-Lock
17		1	Caster Wheel ASM ●	51:4	3296-29	1	Nut-Lock, NI
18	36-4780	2	Washer-Plain	52	30-8770	1	Washer
19	103-2768	2	Guard-Seal	53	103-0865	1	Washer-Blade Bolt, Heavy
20	325-20	1	Screw-HH	54	51-4060	1	Screw-Blade
21	3296-45	1	Nut-Hex	55	99-5107	1	Nut-Lock
22	99-7203	1	Screw-HH	56	135-2073	2	Pin-HOC
23	3231-11	1	Screw-CARR	57	135-2611-01	1	Bracket-Retainer, Cover
24	126-6115	1	Spacer-Wheel	58	110-9380	1	Screw-HWH
25	135-2068	1	Guard-Tire	59	114-1925	1	Bumper-Rubber
26	135-2067-03	1	Support-Flap, RH	60	3230-22	2	Screw-CARR
27	103-8415	2	Roller-Anti-Scalp	61	135-2639	1	Ring-Spacer, Housing
28	3230-16	2	Screw-CARR	62	1-811010	1	Plug

● Not serviced separately

Caster Fork and Wheel Assembly



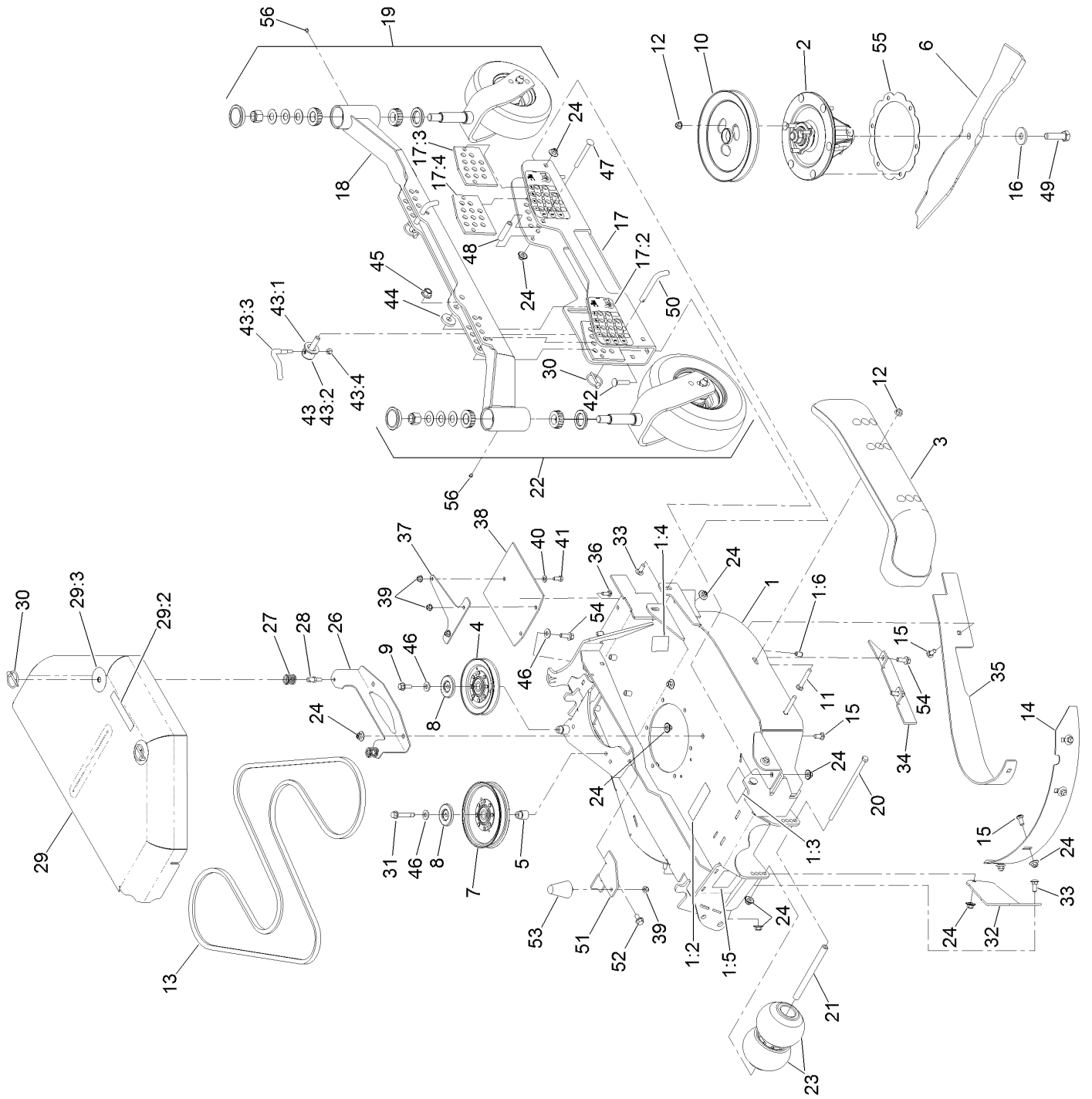
Caster Fork and Wheel Assembly (continued)

<i>Ref.</i>	<i>Part Number</i>	<i>Qty.</i>	<i>Description</i>	<i>Ref.</i>	<i>Part Number</i>	<i>Qty.</i>	<i>Description</i>
1	135-3794-01	1	Fork-Caster	2:2	103-2768	2	Guard-Seal
2	130-4558	1	Wheel/Tire And Bearing ASM	2:3	3296-45	1	Nut-Hex
2:1		1	Wheel And Bearing ASM ●	2:4	325-20	1	Screw-HH
2:1:1	1-633585	2	Bearing-Cone, Taper	3	103-4882	1	Cap-Grease
2:1:2	103-0063	2	Seal-Caster	4	1-543509	2	Bearing-Roller, Tapered
2:1:3	103-3051	1	Spacer-Nut ■	5	1-633508	3	Washer-Bellville
2:1:4	126-5359	1	Caster Axle ASM	6	3296-51	1	Nut-Lock, NI
2:1:5	130-4563	1	Wheel And Tire ASM	7	1-543511	1	Seal-Grease

● Not serviced separately

■ Use Pro-Lock, Nut Type (P/N 1-840022, .5ml tube) on spacer nut

LH Wing Deck Assembly

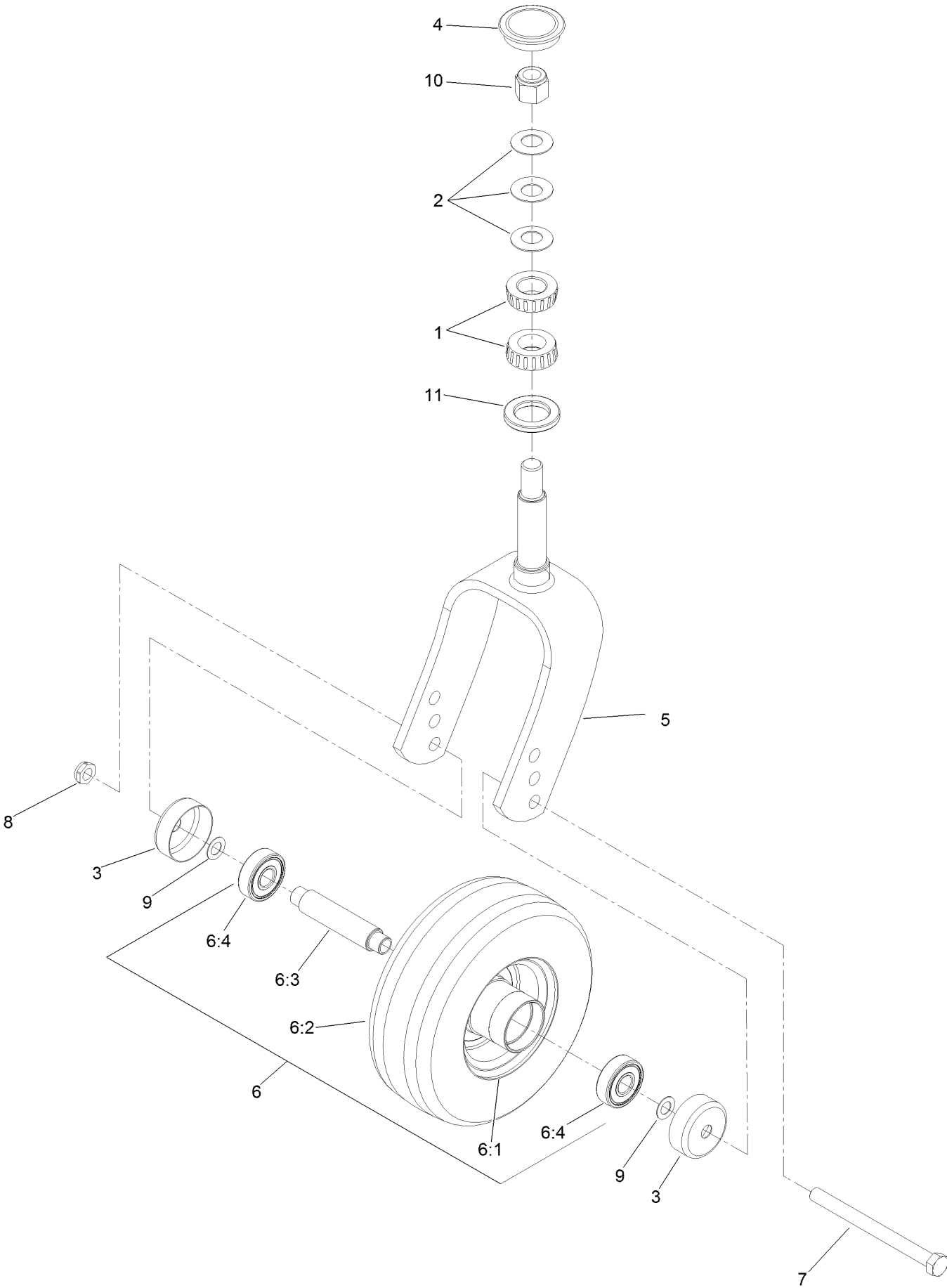


LH Wing Deck Assembly (continued)

<i>Ref.</i>	<i>Part Number</i>	<i>Qty.</i>	<i>Description</i>	<i>Ref.</i>	<i>Part Number</i>	<i>Qty.</i>	<i>Description</i>
1	135-0722	1	LH Wing Deck Decal ASM	29	135-1815	1	LH Wing Shield ASM
1:2	112-9028	1	Decal-Cover, Missing	29:2	93-6687	1	Decal-No Step
1:3	135-0664	1	Decal-Danger, Thrown Object	29:3	135-3165	2	Decal-Cover, Scratch
1:4	93-7818	1	Decal-Torque, Blade Bolt	30	92-1298	4	Pin-Lynch
1:5	135-0670	1	Decal-Warning, Pinch Point	31	126-2956	1	Screw-HHF
1:6	32148-10	3	Nut-Clinch	32	126-9757-01	1	Plate-Fill
2	127-0560	1	Spindle ASM	33	3231-2	6	Bolt-CARR
3	112-1479	1	Skid-Bumper, Deck	34	135-1824-01	1	Fin-Baffle, Discharge Wing (LH)
4	126-2960	1	Idler-V	35	135-0794-01	1	Baffle-Dogleg, Center (RH)
5	1-633456	1	Bushing, Idler	36	3230-16	2	Screw-CARR
6	135-2446	1	Blade-Mulch, 24.5In	37	135-0618-03	1	Support-Flap, LH
7	126-7685	1	Idler-Pulley	38	135-1849	1	Guard-Tire, LH
8	126-8043	2	Shield-Dust	39	104-8300	4	Nut-HF, NI
9	3234-42	1	Screw-HHF	40	3256-23	1	Washer-Plain
10	135-0745-03	1	Sheave-Single	41	322-3	1	Screw-HH
11	3231-31	2	Screw-CARR	42	3231-5	2	Screw-CARR
12	104-8301	5	Nut-HF, NI	43	107-1664	1	Lever ASM
13	126-6442	1	Belt-V	43:1	106-3239	1	Screw-Lock
14	135-2459-01	1	Baffle-Depth, LH	43:2	107-1644	1	Cap-Lock
15	3231-12	8	Bolt-CARR	43:3	106-3241	1	Lever-Lock
16	103-0865	1	Washer-Blade Bolt, Heavy	43:4	3296-29	1	Nut-Lock, NI
17	135-2433	1	LH HOC Channel ASM	44	30-8770	1	Washer
17:2	126-8597	2	Decal-HOC, LH	45	99-5107	1	Nut-Lock
17:3	135-2422	2	Plate-Guide, HOC (LH)	46	98-5975	5	Washer-Belleville
17:4	135-2423	2	Plate-Guide, HOC (RH)	47	3231-11	1	Screw-CARR
18	135-2436-01	1	Tube-HOC, LH	48	135-2424	1	Spacer
19		1	Rear Caster Wheel ASM ●	49	51-4060	1	Screw-Blade
20	99-7203	1	Screw-HH	50	135-2073	2	Pin-HOC
21	126-6115	1	Spacer-Wheel	51	135-2611-01	1	Bracket-Retainer, Cover
22		1	Caster Wheel ASM ●	52	110-9380	1	Screw-HWH
23	103-8415	2	Roller-Anti-Scalp	53	114-1925	1	Bumper-Rubber
24	109-6658	25	Nut-Flange, NI	54	3234-11	3	Screw-HHF
26	135-2653-03	1	Bracket-Shield Mount, Outer	55	135-2639	1	Ring-Spacer, Housing
27	126-1503	2	Spring	56	1-811010	2	Plug
28	126-1504	2	Pin-Spring				

● Not serviced separately

Rear Caster Wheel Assembly

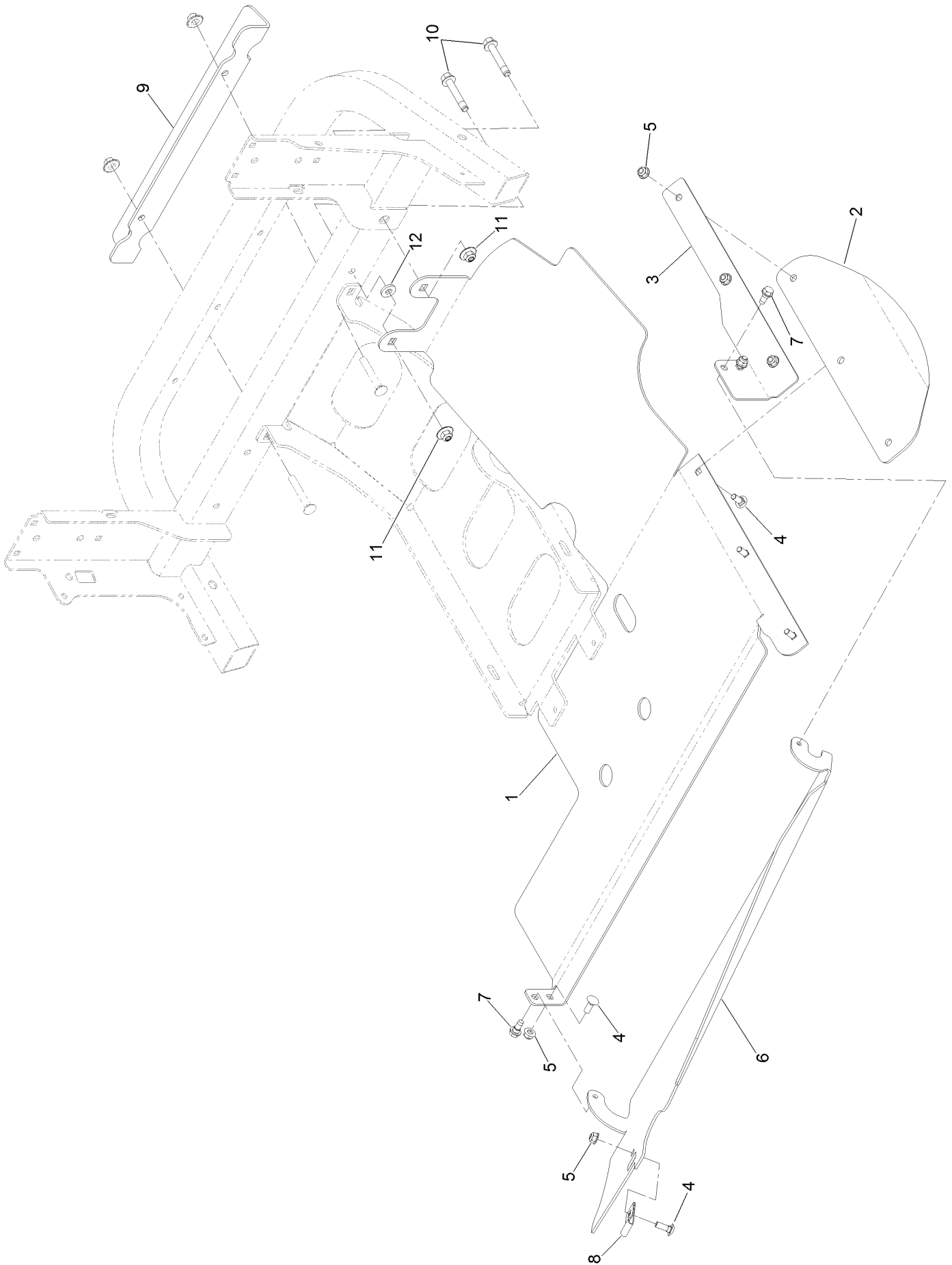


Rear Caster Wheel Assembly (continued)

<i>Ref.</i>	<i>Part Number</i>	<i>Qty.</i>	<i>Description</i>	<i>Ref.</i>	<i>Part Number</i>	<i>Qty.</i>	<i>Description</i>
1	1-543509	2	Bearing-Roller, Tapered	6:3	126-7904	1	Axle-Caster
2	1-633508	3	Washer-Bellville	6:4	116-4004	2	Bearing
3	103-2768	2	Guard-Seal	7	325-20	1	Screw-HH
4	103-4882	1	Cap-Grease	8	3296-45	1	Nut-Hex
5	135-3793-01	1	Fork-Caster	9	36-4780	2	Washer-Plain
6		1	Wheel And Tire ASM ●	10	3296-51	1	Nut-Lock, NI
6:1	135-2646	1	Wheel	11	1-543511	1	Seal-Grease
6:2	112-7065	1	Tire				

● Not serviced separately

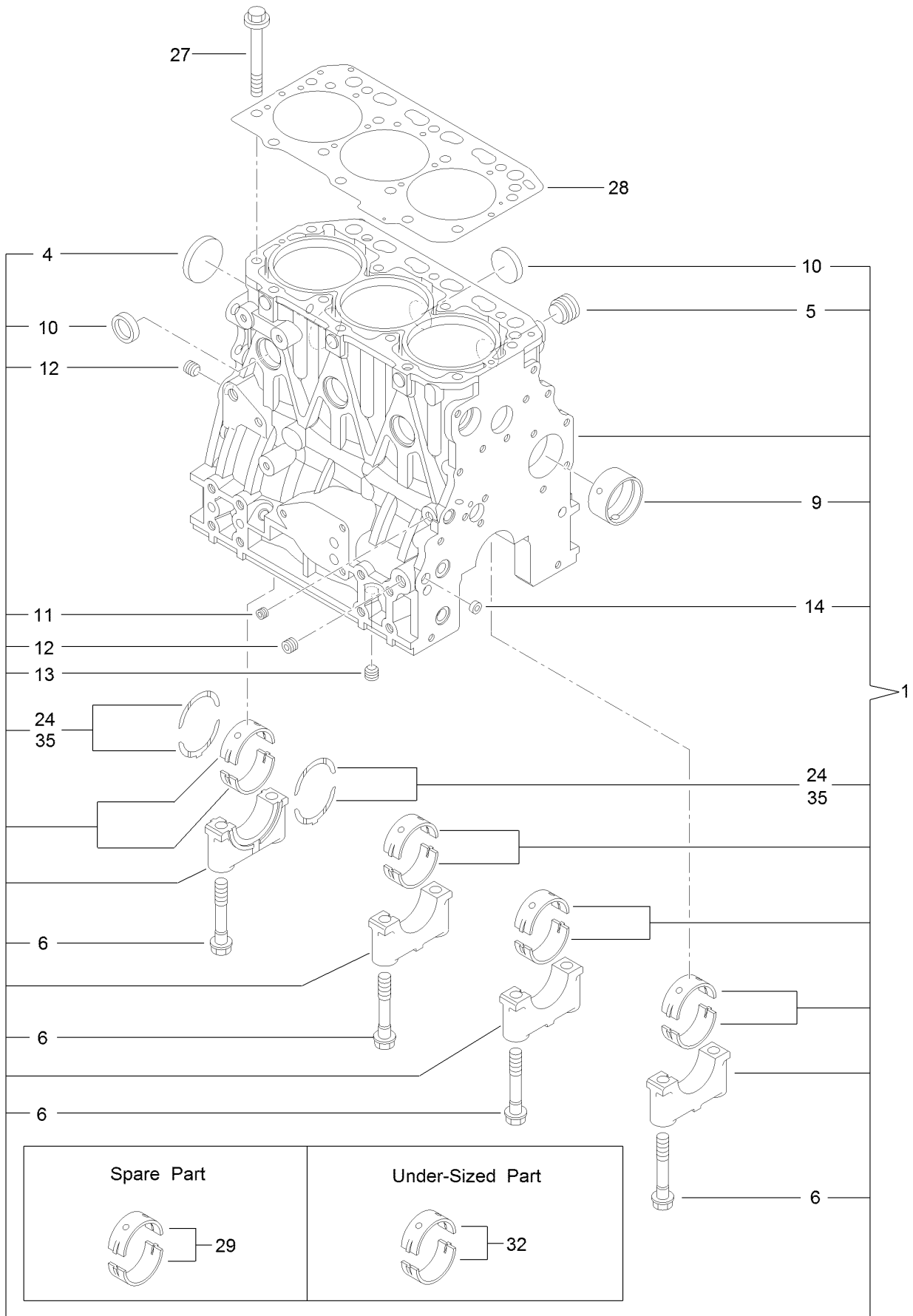
Discharge Tunnel Assembly



Discharge Tunnel Assembly (continued)

<i>Ref.</i>	<i>Part Number</i>	<i>Qty.</i>	<i>Description</i>	<i>Ref.</i>	<i>Part Number</i>	<i>Qty.</i>	<i>Description</i>
1	135-2089-03	1	Plate-Discharge	7	126-4424	2	Screw-Shoulder
2	135-0050	1	Flap-Rubber	8	135-0608	1	Bearing-Strap, Nylon
3	135-2090-03	1	Bracket-Flap, LH	9	135-2092-03	1	Bracket-Tie Down
4	3230-16	6	Screw-CARR	10	126-2956	2	Screw-HHF
5	104-8300	6	Nut-HF, NI	11	109-6658	2	Nut-Flange, NI
6	135-2617-03	1	Panel-Discharge	12	43-0940	1	Spacer

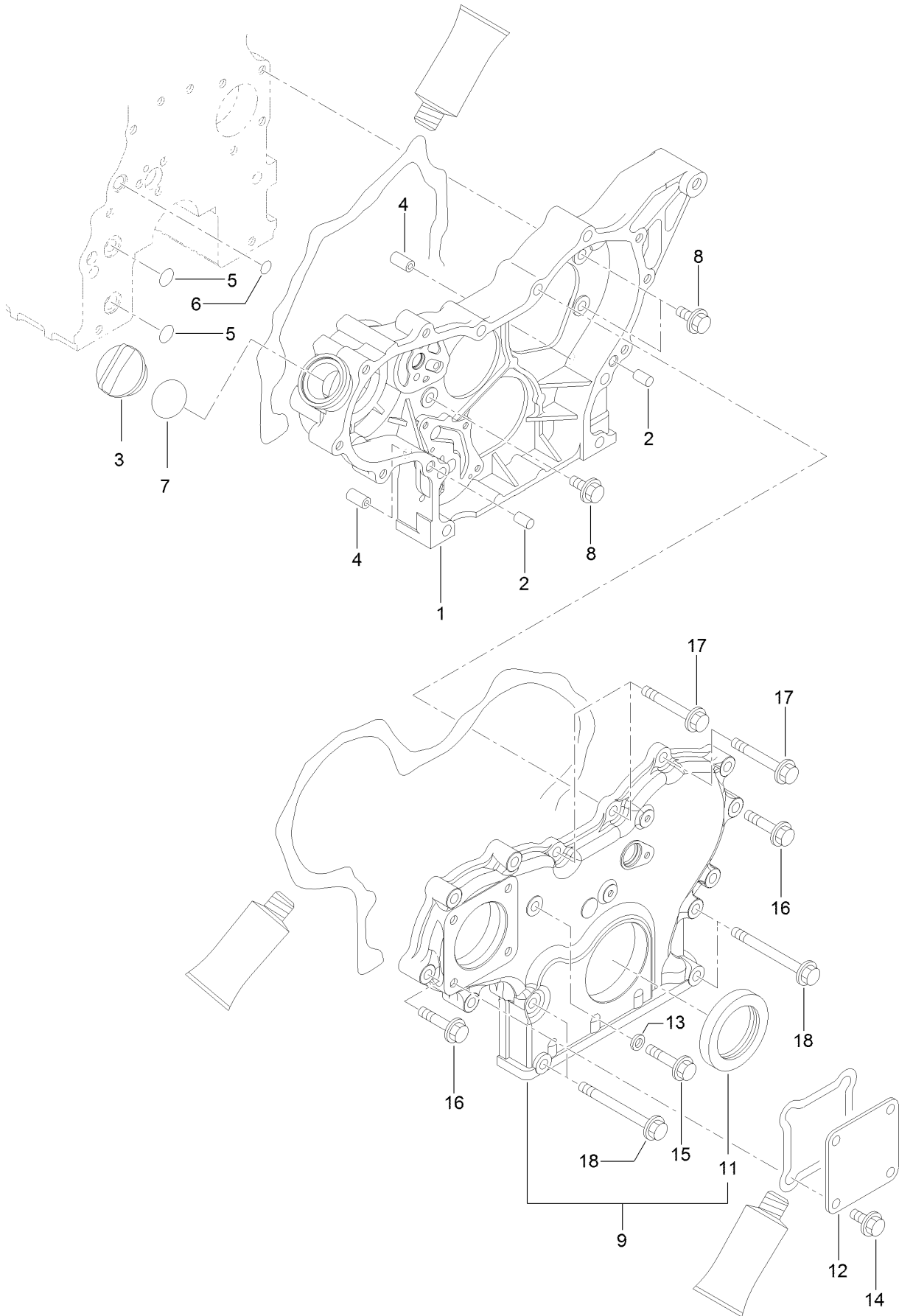
Cylinder Block Assembly



Cylinder Block Assembly (continued)

<i>Ref.</i>	<i>Part Number</i>	<i>Qty.</i>	<i>Description</i>	<i>Ref.</i>	<i>Part Number</i>	<i>Qty.</i>	<i>Description</i>
1	127-4717	1	Cylinder Block ASM	13	125-6973	1	Plug
4	125-6980	1	Plug	14	125-7237	1	Plug
5	125-7170	1	Plug	24	125-7010	2	Metal-Thrust
6	125-7007	8	Bolt	27	125-7006	14	Bolt
9	125-7108	1	Bushing	28	127-4716	1	Head Gasket ASM
10	125-7239	6	Plug	29	125-6981	4	Metal-Main
11	125-6969	1	Plug	32	125-7009	4	Metal-Main (0.25)
12	125-6973	2	Plug	35	125-7011	1	Metal-Thrust (0.25)

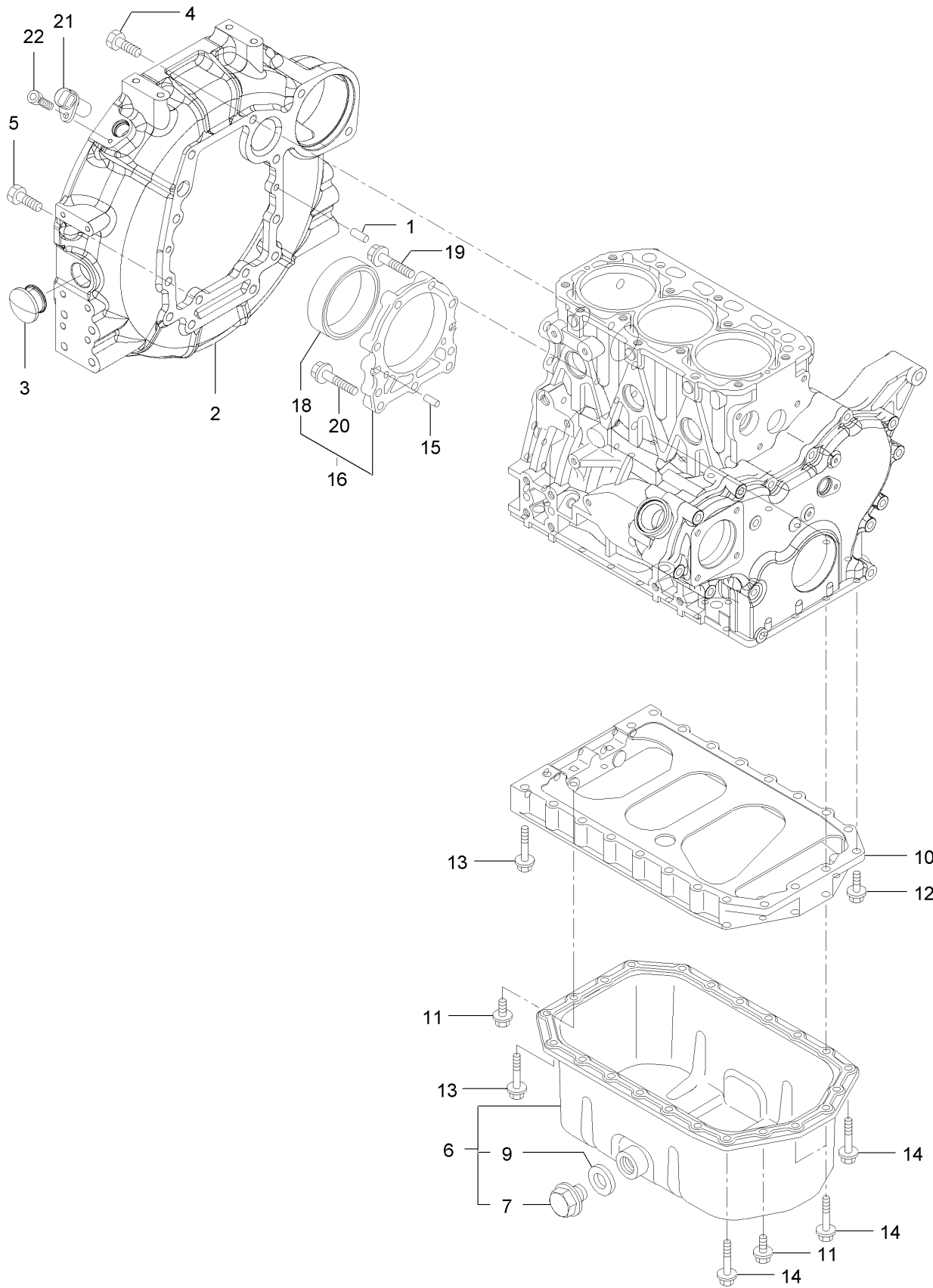
Gear Housing Assembly



Gear Housing Assembly (continued)

<i>Ref.</i>	<i>Part Number</i>	<i>Qty.</i>	<i>Description</i>	<i>Ref.</i>	<i>Part Number</i>	<i>Qty.</i>	<i>Description</i>
1	127-3023	1	Case-Gear	11	125-6944	1	Seal-Oil
2	125-6995	2	Pin	12	125-6977	1	Cover
3	125-6972	1	Cover-Filler	13	125-7174	1	Washer-Seal
4	125-7107	2	Pipe	14	100-6928	4	Bolt
5	125-6909	2	O-Ring	15	125-7217	1	Bolt
6	127-2973	1	O-Ring	16	125-7218	7	Bolt
7	125-7197	1	O-Ring	17	125-7222	3	Bolt
8	100-6928	3	Bolt	18	125-7224	4	Bolt
9	127-3024	1	Gearcase Cover ASM				

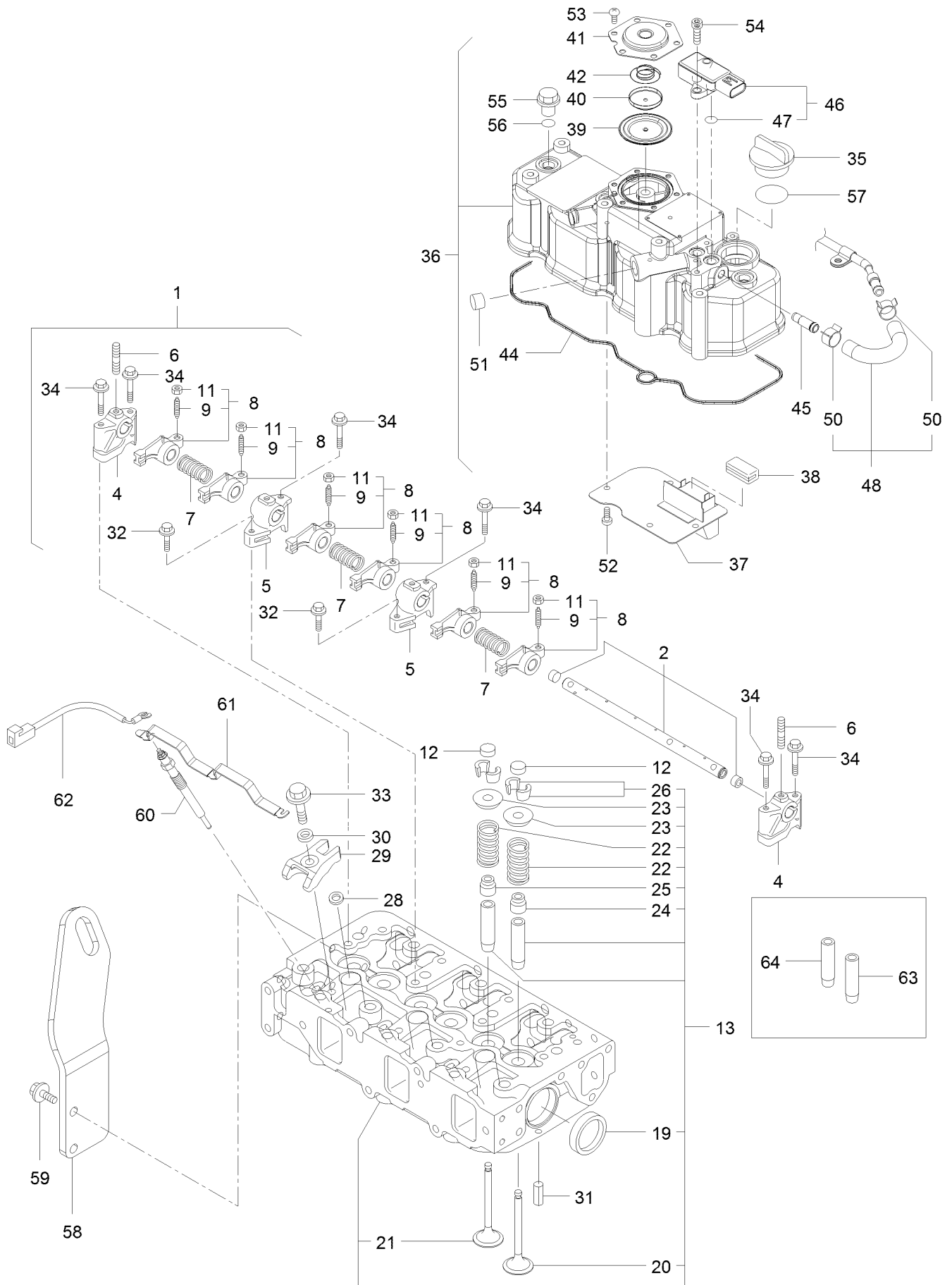
Flywheel Housing and Oil Sump Assembly



Flywheel Housing and Oil Sump Assembly (continued)

<i>Ref.</i>	<i>Part Number</i>	<i>Qty.</i>	<i>Description</i>	<i>Ref.</i>	<i>Part Number</i>	<i>Qty.</i>	<i>Description</i>
1	125-6995	2	Pin	12	125-7215	2	Bolt
2	127-4758	1	Housing-Flywheel	13	125-7219	16	Bolt
3	125-6910	1	Cap	14	125-7220	4	Bolt
4	125-7226	6	Bolt	15	125-6995	2	Pin
5	125-7227	4	Bolt	16	135-4011	1	Case ASM
6	135-4010	1	Oil Pan ASM	18	125-7106	1	Seal-Oil
7	125-6912	1	Plug-Drain	19	125-7045	6	Bolt
9	125-7177	1	Washer-Seal	20	125-7217	3	Bolt
10	127-3756	1	Spacer	21	127-3062	1	Sensor-Rev, Flywheel
11	100-6928	4	Bolt	22	127-3184	1	Bolt

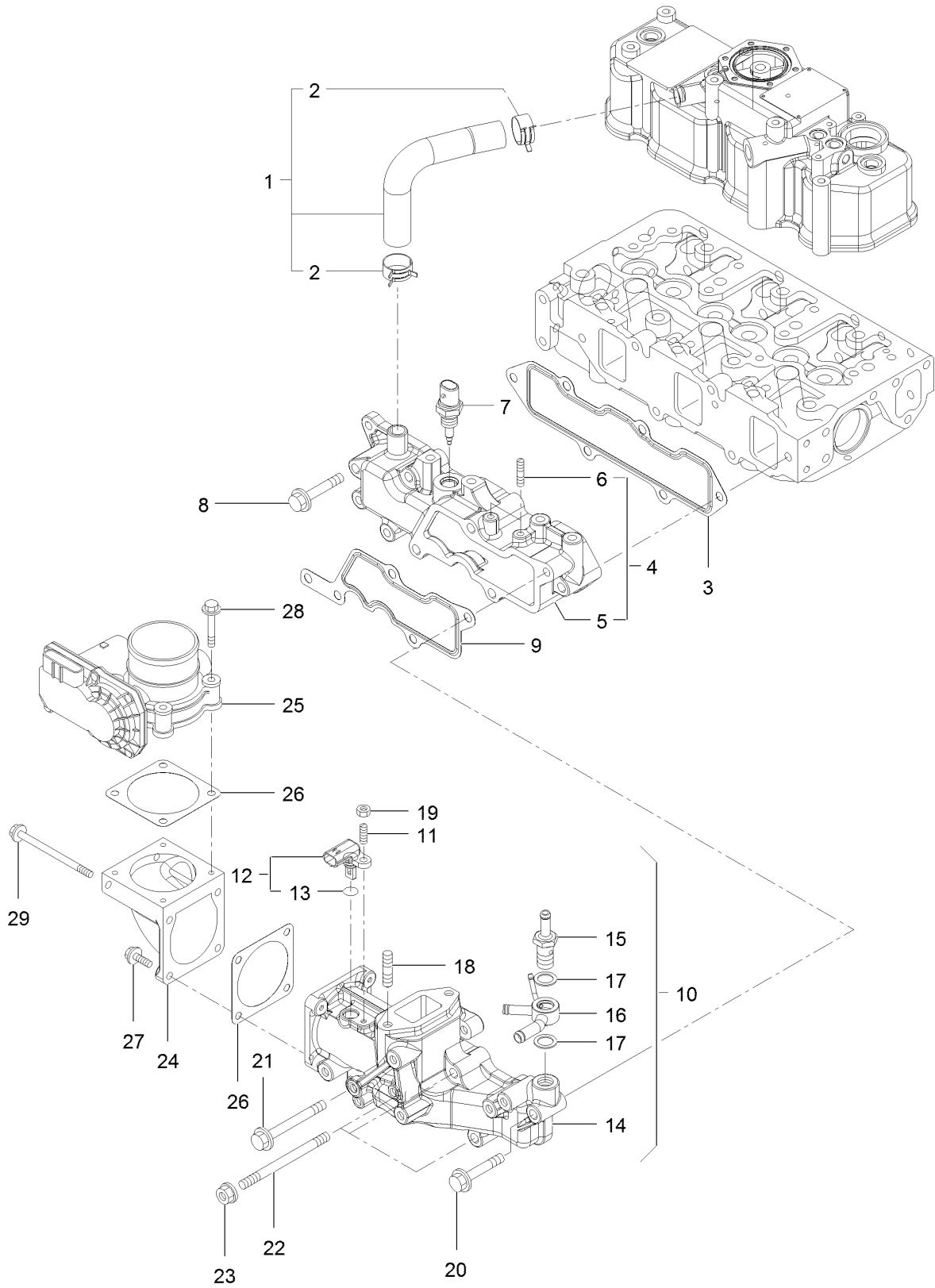
Cylinder Head and Cover Assembly



Cylinder Head and Cover Assembly (continued)

<i>Ref.</i>	<i>Part Number</i>	<i>Qty.</i>	<i>Description</i>	<i>Ref.</i>	<i>Part Number</i>	<i>Qty.</i>	<i>Description</i>
1	127-3757	1	Shaft ASM	36	127-4719	1	Cylinder Head Cover ASM
2	127-3758	1	Shaft	37	127-2988	1	Plate
4	127-2974	2	Support	38	125-7012	1	Baffle
5	127-2975	2	Support	39	125-6959	1	Diaphragm
6	135-4012	3	Bolt,Stud	40	125-6960	1	Plate
7	127-2995	3	Spring	41	125-6961	1	Plate-Breather
8	127-2989	6	Arm-Rocker	42	125-6962	1	Spring-Diaphragm
9	125-7013	6	Screw-Adjust, Valve	44	127-3856	1	Gasket-Valve Cover
11	125-7014	6	Nut	45	127-3026	1	Joint
12	127-2996	6	Cap-Valve	46	127-3029	1	Sensor-Pressure
13	127-4720	1	Cylinder Head ASM	47	127-3032	2	O Ring-Sensor, Pressure
19	125-7240	2	Plug	48	127-3040	1	Hose ASM
20	127-2990	3	Valve	50	127-3041	2	Clip-Hose
21	127-4710	3	Valve	51	125-6913	1	Plug
22	127-3012	6	Spring	52	125-7186	4	Screw
23	127-3013	6	Retainer-Spring	53	125-7186	6	Screw
24	127-2986	3	Seal-Stem, Valve	54	127-3184	2	Bolt
25	127-3027	3	Seal-Stem, Valve	55	125-6974	3	Knob
26	127-3186	6	Pin-Cotter	56	93-0418	3	O-Ring
28	127-3021	3	Gasket-Injector	57	125-7197	1	O-Ring
29	127-3028	3	Retainer-Injector	58	127-4718	1	Lifter-Engine
30	127-2980	3	Washer-Injector	59	100-6928	2	Bolt
31	125-7184	2	Pin-Spring	60	127-2991	3	Plug-Glow
32	125-7215	2	Bolt	61	127-3768	1	Connector-Plug, Glow
33	125-7217	3	Bolt	62	131-2704	1	Harness-Wire
34	125-7220	6	Bolt	63	127-2979	3	Guide
35	125-6972	1	Cover-Filler	64	127-2997	3	Guide-Valve

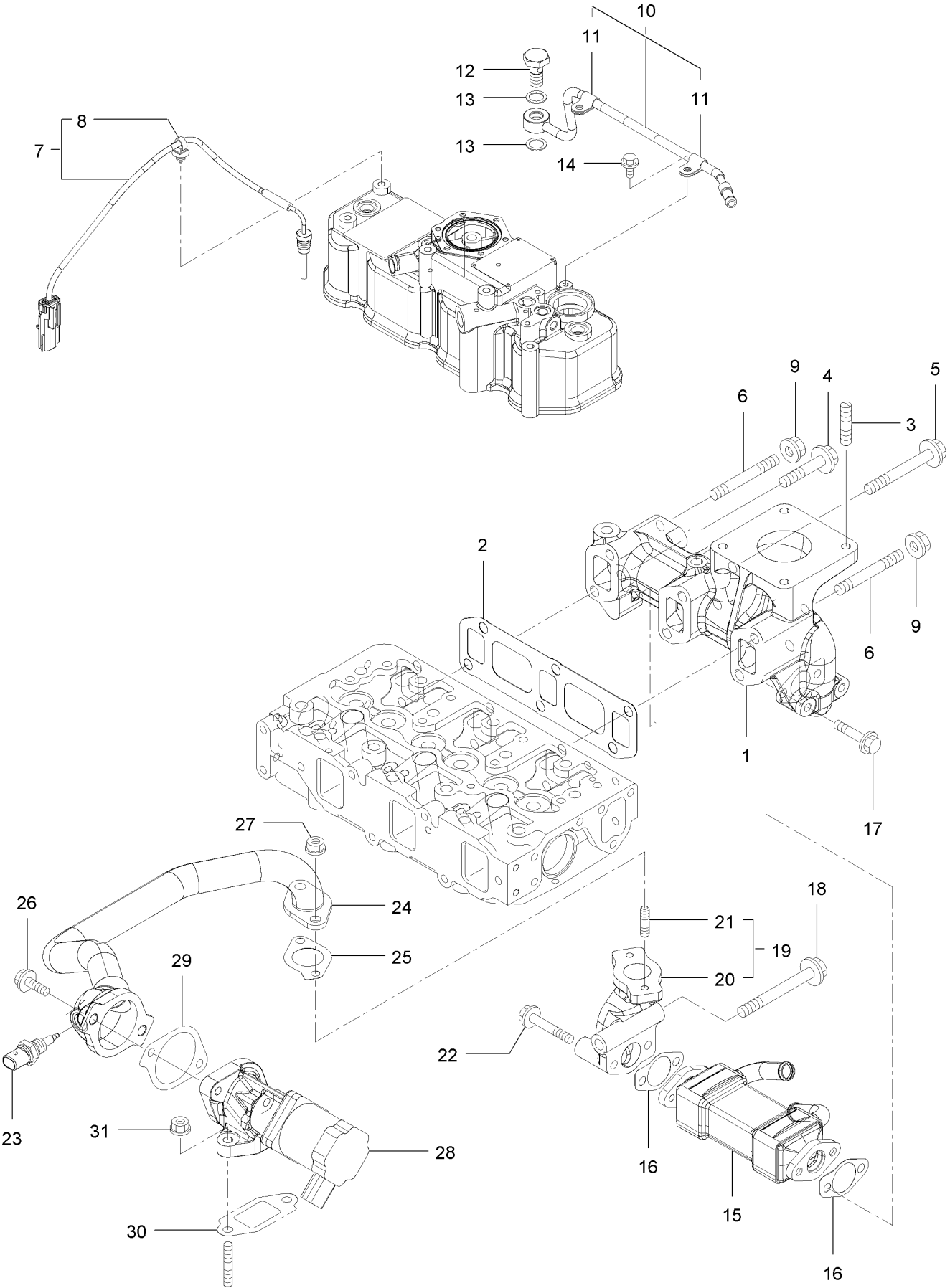
Suction Manifold Assembly



Suction Manifold Assembly (continued)

<i>Ref.</i>	<i>Part Number</i>	<i>Qty.</i>	<i>Description</i>	<i>Ref.</i>	<i>Part Number</i>	<i>Qty.</i>	<i>Description</i>
1	127-4704	1	Pipe	16	127-3081	1	Joint-Hose
2	125-7040	2	Clip-Hose	17	127-3166	2	Washer-Seal
3	127-3857	1	Gasket-Manifold, Intake	18	127-3181	2	Stud
4	127-4722	1	Intake Manifold ASM	19	127-4775	1	Nut
5	127-4721	1	Manifold-Intake	20	125-7220	1	Bolt
6	127-3180	2	Stud	21	127-3178	1	Bolt
7	127-3031	1	Sensor-Temp, Air	22	127-3182	3	Stud
8	125-7220	3	Bolt	23	125-7229	3	Nut
9	127-3034	1	Gasket-Collector	24	127-3035	1	Bend-Inlet
10	127-4725	1	Intake Collector ASM	25	127-3036	1	Body-Throttle
11	127-4701	1	Stud	26	127-3037	2	Gasket-Throttle
12	127-3030	1	Sensor-Temp, Air	27	125-7209	2	Bolt
13	127-3033	1	O-Ring	28	125-7211	4	Bolt
14	127-4724	1	Collector-Intake	29	127-3177	2	Bolt
15	127-3080	1	Joint-Hose				

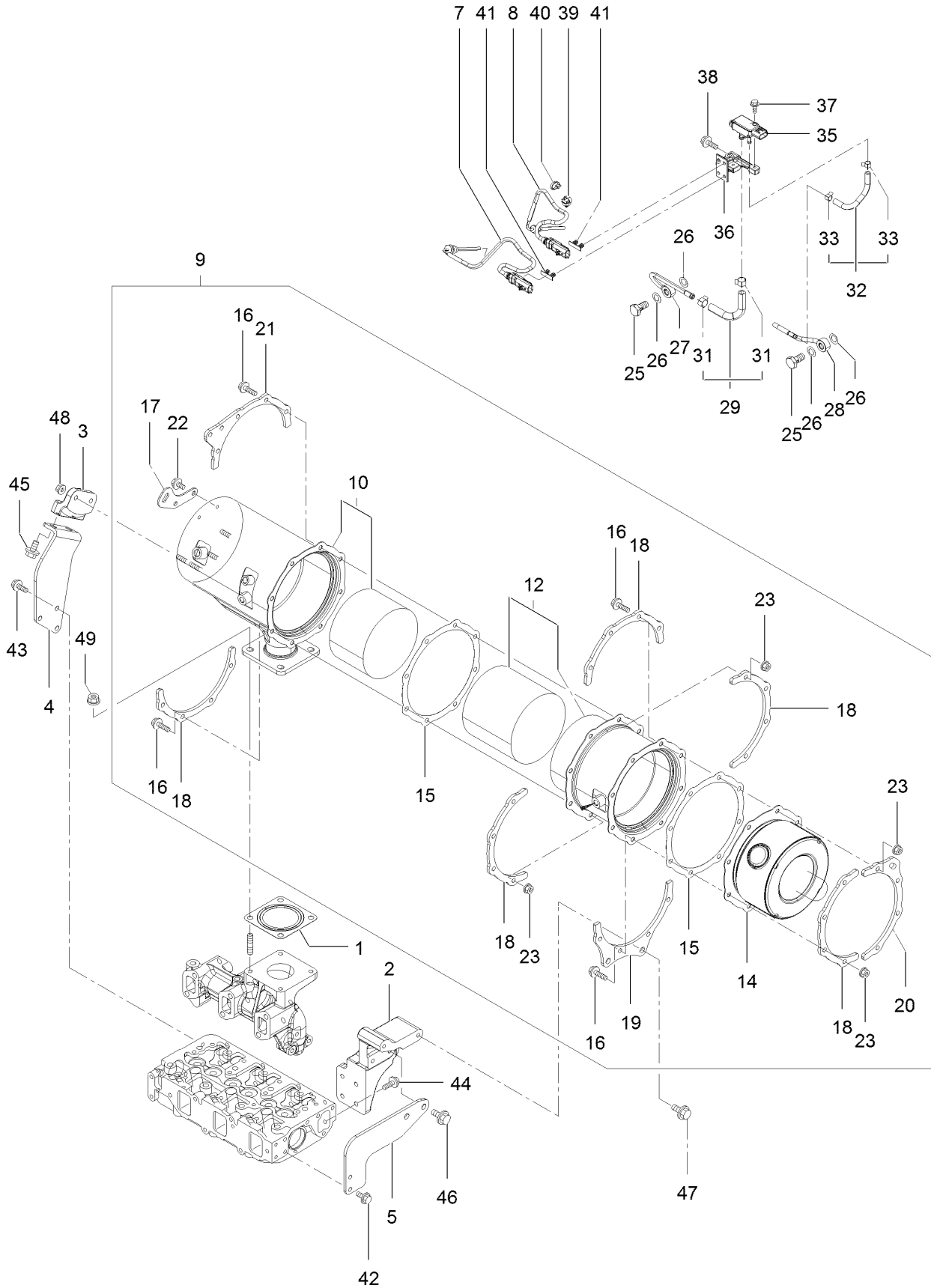
Exhaust Manifold Assembly



Exhaust Manifold Assembly (continued)

<i>Ref.</i>	<i>Part Number</i>	<i>Qty.</i>	<i>Description</i>	<i>Ref.</i>	<i>Part Number</i>	<i>Qty.</i>	<i>Description</i>
1	127-4726	1	Manifold-Exhaust	17	135-4015	2	Bolt
2	127-3775	1	Gasket-Manifold, Exhaust	18	135-4016	1	Bolt
3	127-2984	4	Stud	19	127-3048	1	E G R Pipe ASM
4	135-4013	1	Bolt	20	127-3049	1	Pipe-Out, E G R
5	135-4014	3	Bolt	21	125-7043	2	Stud
6	127-4756	2	Stud	22	125-7220	2	Bolt
7	127-4729	1	Sensor-Temp, Exhaust	23	137-5168	1	Sensor-Gas Temp, E G R
8	127-3087	1	Band-Clip	24	127-3780	1	E G R Pipe ASM
9	125-7230	2	Nut	25	127-3016	1	Gasket
10	127-3038	1	Exhaust Pipe ASM	26	125-7215	2	Bolt
11	127-3173	2	Clamp	27	125-7229	2	Nut
12	127-3039	1	Bolt-Joint, Pipe	28	127-3781	1	Valve-E G R
13	127-3174	2	Gasket	29	127-3050	1	Gasket-Intake Valve, E G R
14	125-7206	2	Bolt	30	127-3051	1	Gasket-Out Valve, E G R
15	127-3042	1	Cooler-E G R	31	125-7229	2	Nut
16	127-3043	2	Gasket-Cooler, E G R				

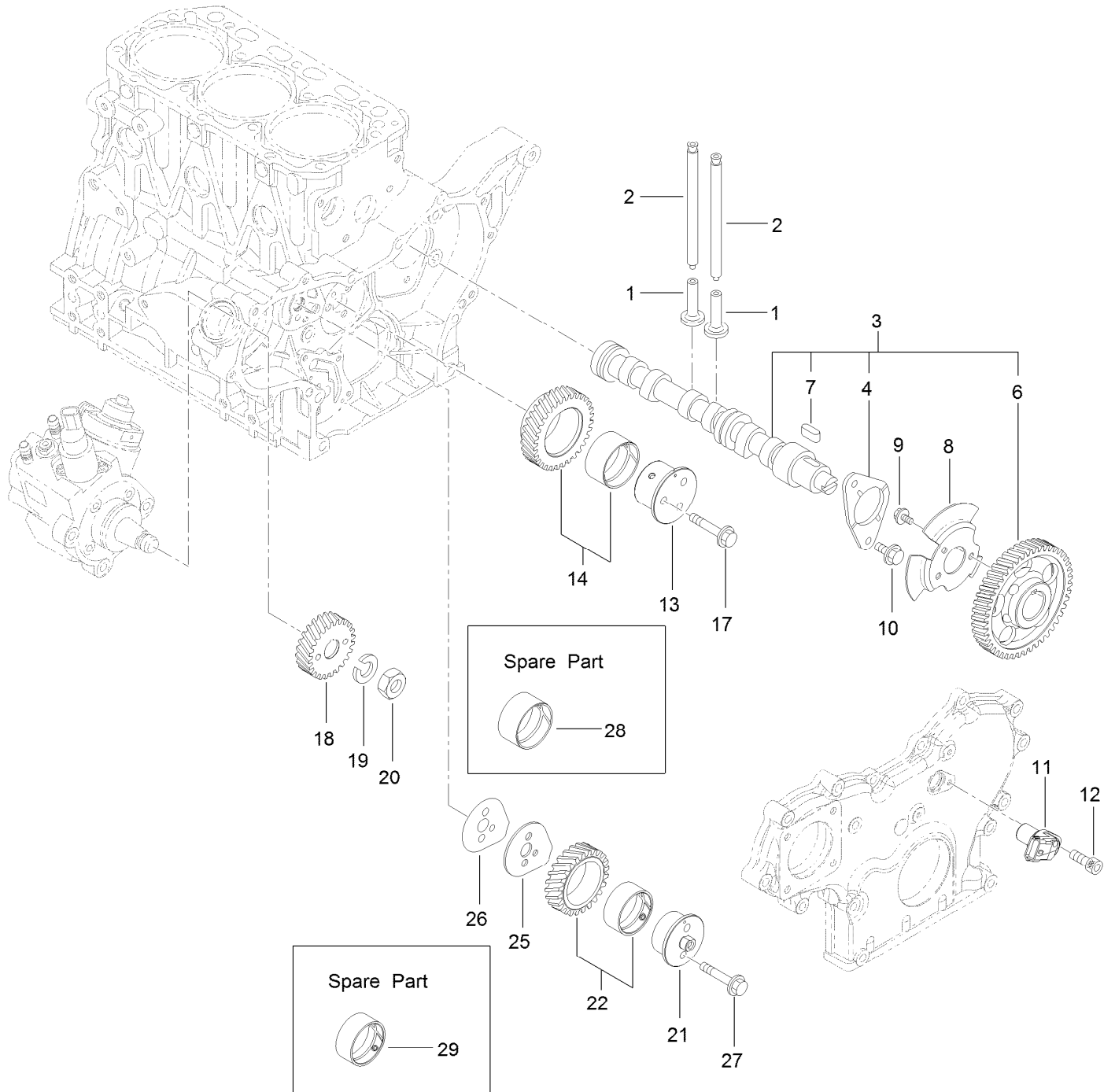
Diesel Particulate Filter Assembly



Diesel Particulate Filter Assembly (continued)

<i>Ref.</i>	<i>Part Number</i>	<i>Qty.</i>	<i>Description</i>	<i>Ref.</i>	<i>Part Number</i>	<i>Qty.</i>	<i>Description</i>
1	127-2987	1	Gasket-Silencer	27	127-4744	1	Sensor Pipe ASM
2	127-4738	1	Stay-D P F	28	127-4745	1	Sensor Pipe ASM
3	127-4739	1	Stay-D P F	29	127-4747	1	Exhaust Hose ASM
4	127-4740	1	Stay-D P F	31	127-3057	2	Clip-Hose
5	127-4741	1	Stay-D P F	32	127-4748	1	Exhaust Hose ASM
7	127-4764	1	Sensor-Temp, Exhaust	33	127-3058	2	Clip-Hose
8	127-4765	1	Sensor-Temp, Exhaust	35	127-3060	1	Sensor-Pressure
9	127-4759	1	D P F ASM	36	127-4750	1	Bracket-Sensor
10	127-4732	1	Case-D O C	37	125-7208	2	Bolt
12	127-4734	1	Case-Filter, Soot	38	125-7595	2	Bolt
14	127-3786	1	Silencer-D P F	39	127-3087	1	Band-Clip
15	127-3859	2	Gasket-D P F	40	127-3124	1	Band
16	127-3055	16	Bolt	41	127-3088	2	Clip-Connector
17	127-3788	1	Lifter-D P F	42	100-6928	2	Bolt
18	127-3789	5	Stiffener-D P F, A	43	100-6928	3	Bolt
19	127-4735	1	Stiffener-D P F, B	44	125-7594	4	Bolt
20	127-3792	1	Stiffener-D P F, C	45	127-4773	2	Bolt
21	127-4736	1	Stiffener-D P F, C	46	127-3179	2	Bolt
22	125-7213	2	Bolt	47	127-3179	2	Bolt
23	125-7229	16	Nut	48	127-3179	2	Bolt
25	127-3039	2	Bolt-Joint, Pipe	49	125-7230	4	Nut
26	127-3056	4	Gasket-Sensor				

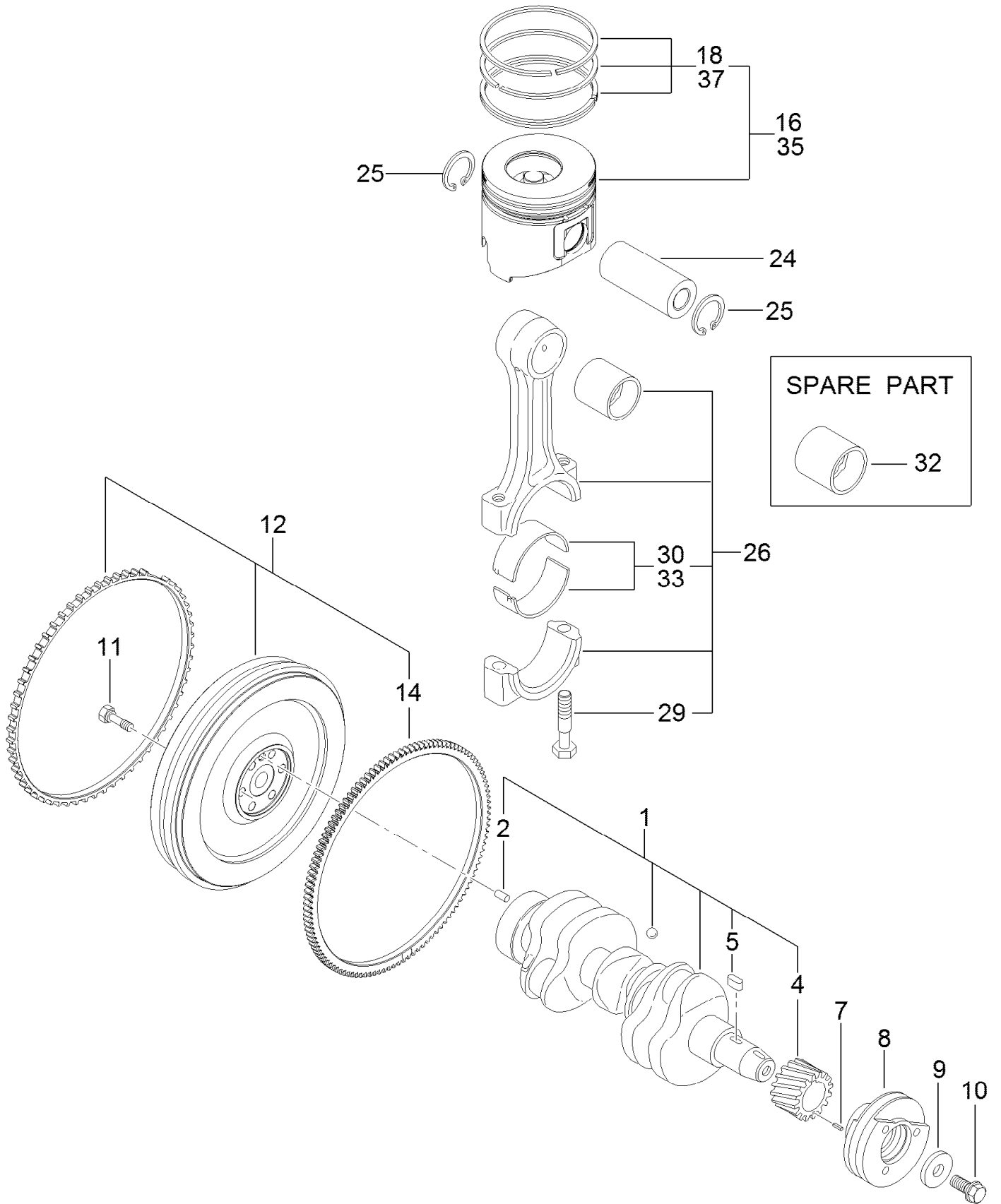
Camshaft and Driving Gear Assembly



Camshaft and Driving Gear Assembly (continued)

<i>Ref.</i>	<i>Part Number</i>	<i>Qty.</i>	<i>Description</i>	<i>Ref.</i>	<i>Part Number</i>	<i>Qty.</i>	<i>Description</i>
1	125-7016	6	Tappet	14	127-3066	1	Idle Gear A ASM
2	125-7017	6	Rod-Push	17	125-7219	3	Bolt
3	127-3797	1	Camshaft ASM	18	127-3070	1	Gear-Pump, Supply
4	125-7008	1	Metal-Thrust	19	127-3167	1	Washer-Spring
6	127-3052	1	Gear-Camshaft	20	127-3185	1	Nut-Lock
7	125-7185	1	Key	21	127-3064	1	Shaft-Idle, Gear B
8	127-3053	1	Pulser-Camshaft	22	127-3067	1	Idle Gear B ASM
9	125-7205	3	Bolt	25	127-3068	1	Plate-Idle, Shaft
10	125-7213	2	Bolt	26	127-3069	1	Gasket-Idle, Shaft B
11	127-3054	1	Sensor-Rev, Gear	27	125-7218	2	Bolt
12	127-3184	1	Bolt	28	125-6927	1	Bushing
13	127-3063	1	Shaft-Idle, Gear A	29	127-3065	1	Bushing

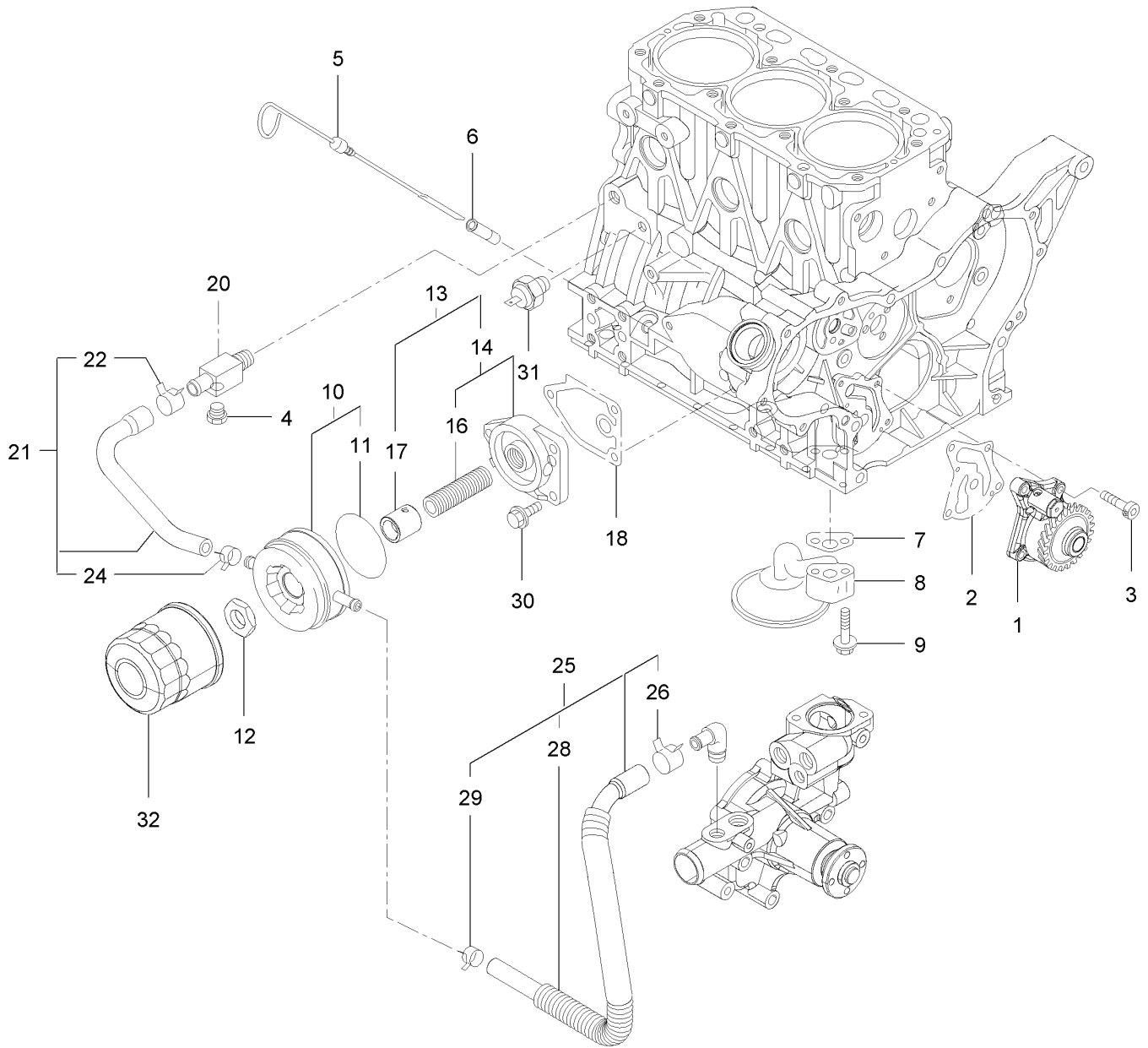
Crankshaft and Piston Assembly



Crankshaft and Piston Assembly (continued)

<i>Ref.</i>	<i>Part Number</i>	<i>Qty.</i>	<i>Description</i>	<i>Ref.</i>	<i>Part Number</i>	<i>Qty.</i>	<i>Description</i>
1	127-3800	1	Crankshaft ASM	16	127-4766	3	Piston ASM
2	125-6995	1	Pin	18	127-4751	3	Piston Ring ASM
4	125-6937	1	Gear	24	125-7030	3	Pin
5	125-7185	1	Key	25	125-7180	6	Ring
7	125-7182	1	Pin-Spring	26	125-7242	3	Connecting Rod ASM
8	127-3801	1	Pulley-V	29	125-6955	6	Bolt
9	125-7109	1	Washer	30	125-7018	3	Pin-Crank
10	125-6956	1	Bolt	32	125-6997	3	Pin-Piston
11	125-6951	6	Bolt	33	125-7019	3	Pin-Crank (.25)
12	127-4761	1	Flywheel ASM	35	127-4767	3	Piston ASM (0.25 O S)
14	127-4703	1	Gear	37	127-4752	3	Ring Set (0.25 O S)

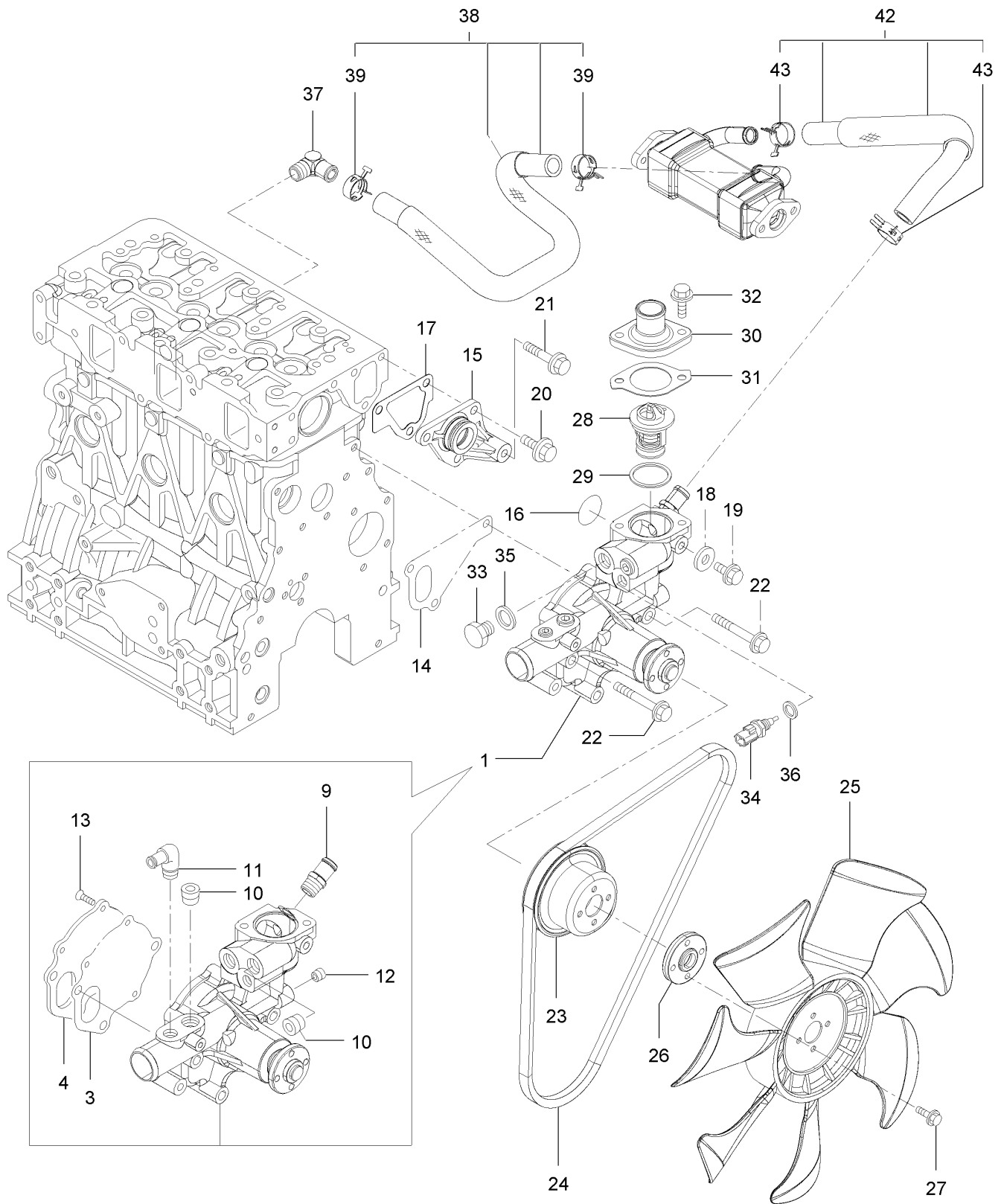
Oil Pump Assembly



Oil Pump Assembly (continued)

<i>Ref.</i>	<i>Part Number</i>	<i>Qty.</i>	<i>Description</i>	<i>Ref.</i>	<i>Part Number</i>	<i>Qty.</i>	<i>Description</i>
1	127-4753	1	Oil Pump ASM	16	125-7042	1	Stud
2	127-3004	1	Gasket	17	135-4022	1	Collar-Oil Cooler
3	125-7232	4	Bolt	18	125-7024	1	Gasket
4	125-7171	1	Plug-Drain	20	125-6990	1	Joint
5	125-6987	1	Dipstick	21	125-7078	1	Pipe ASM
6	125-6954	1	Guide-Dipstick	22	125-7162	1	Clip
7	125-7022	1	Gasket	24	125-7191	1	Clamp-Hose
8	135-4017	1	Pipe ASM-Oil Inlet	25	127-3804	1	Pipe ASM
9	125-7217	2	Bolt	26	125-7162	1	Clip
10	135-4018	1	Cooler ASM-Oil	28	127-3805	1	Tube
11	135-4019	1	Packing-Oil Cooler	29	125-7191	1	Clamp-Hose
12	135-4020	1	Nut	30	125-7595	3	Bolt
13	135-4021	1	Bracket ASM-Lo Filt	31	125-6918	1	Switch-Oil
14	125-6989	1	Bracket ASM	32	125-7025	1	Filter-Engine

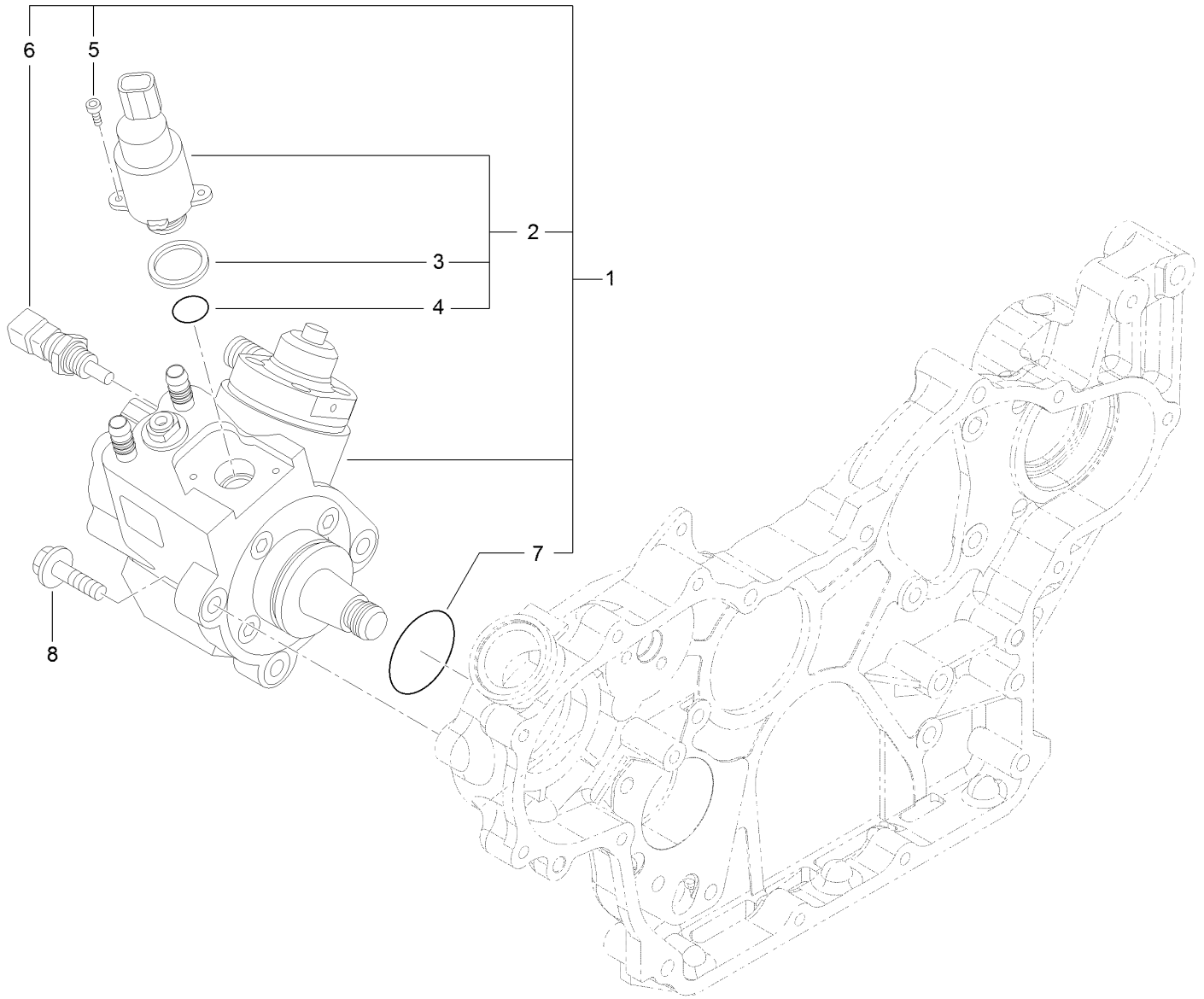
Cooling Water System Assembly



Cooling Water System Assembly (continued)

<i>Ref.</i>	<i>Part Number</i>	<i>Qty.</i>	<i>Description</i>	<i>Ref.</i>	<i>Part Number</i>	<i>Qty.</i>	<i>Description</i>
1	127-3071	1	Water Pump ASM	24	127-4771	1	V-Belt
3	125-6998	1	Gasket	25	127-4702	1	Fan
4	125-6999	1	Plate	26	127-3810	1	Spacer
9	127-3017	1	Joint	27	125-7209	4	Bolt
10	125-7123	2	Plug	28	125-7029	1	Thermostat
11	125-7001	1	Elbow	29	125-7026	1	Gasket
12	125-7195	1	Plug	30	125-7034	1	Cover
13	125-7234	3	Screw	31	125-7110	1	Gasket
14	125-7047	1	Gasket	32	125-7594	2	Bolt
15	125-6986	1	Joint	33	125-6953	1	Plug
16	125-7048	1	O-Ring	34	125-7124	1	Sensor-Thermostat, CW
17	125-6978	1	Gasket	35	125-6979	1	Gasket
18	125-7192	1	Gasket	36	125-7176	1	Washer-Seal
19	93-0362	1	Bolt	37	127-4705	1	Elbow
20	100-6928	3	Bolt	38	127-4757	1	E G R-C Pipe ASM
21	125-7219	1	Bolt	39	127-3020	2	Clip-Hose
22	125-7222	3	Bolt	42	127-3811	1	CW Pipe ASM
23	127-4712	1	V-Pulley	43	127-3020	2	Clip-Hose

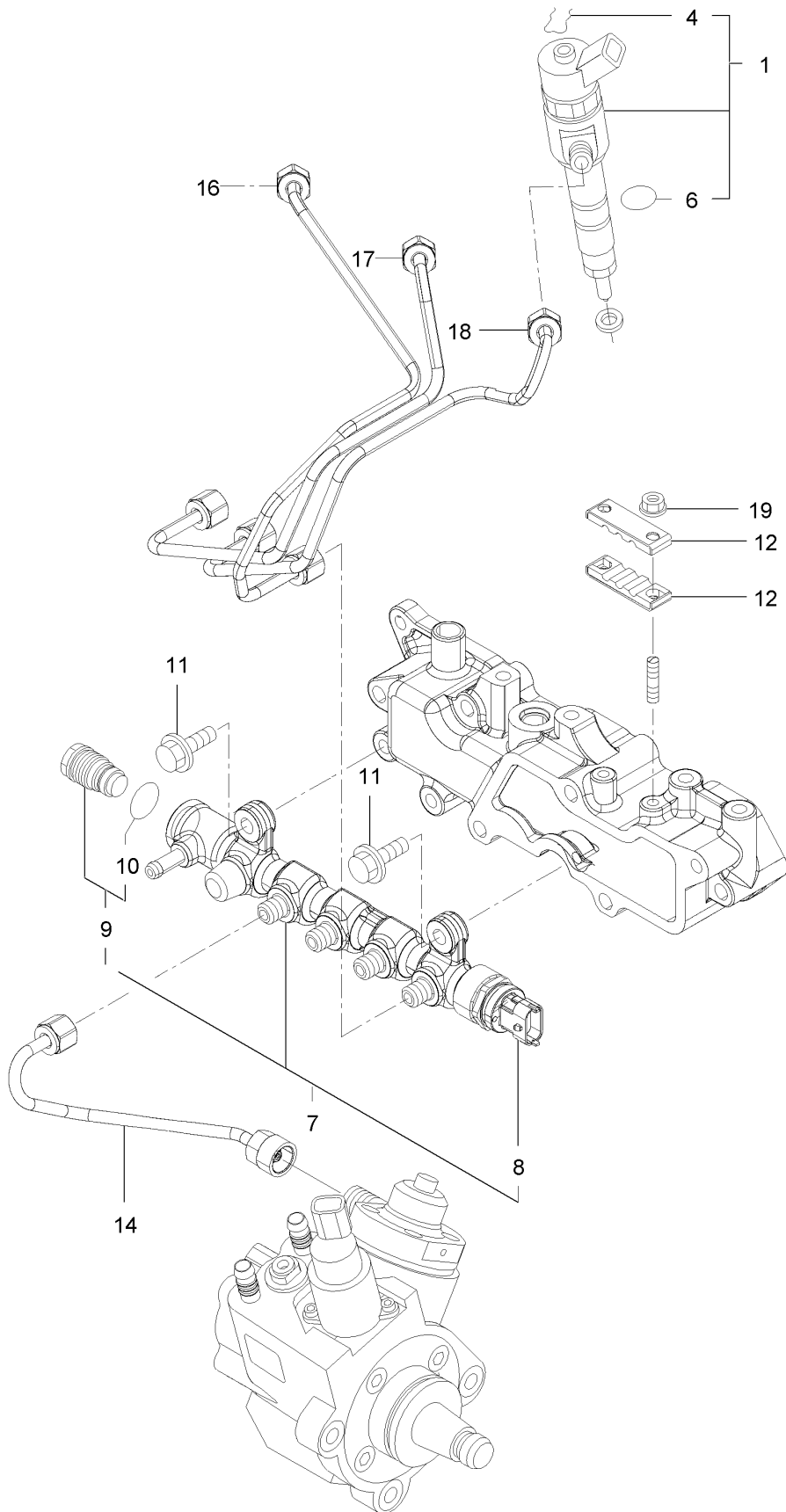
Fuel Supply Pump Assembly



Fuel Supply Pump Assembly (continued)

<i>Ref.</i>	<i>Part Number</i>	<i>Qty.</i>	<i>Description</i>	<i>Ref.</i>	<i>Part Number</i>	<i>Qty.</i>	<i>Description</i>
1	127-3073	1	Fuel Pump ASM	5	131-2107	2	Bolt
2	131-2103	1	Valve ASM	6	131-2108	1	Sensor-Temperature
3	131-2105	1	Ring-Sealing	7	127-3074	1	O-Ring
4	131-2106	1	O-Ring	8	125-7216	3	Bolt

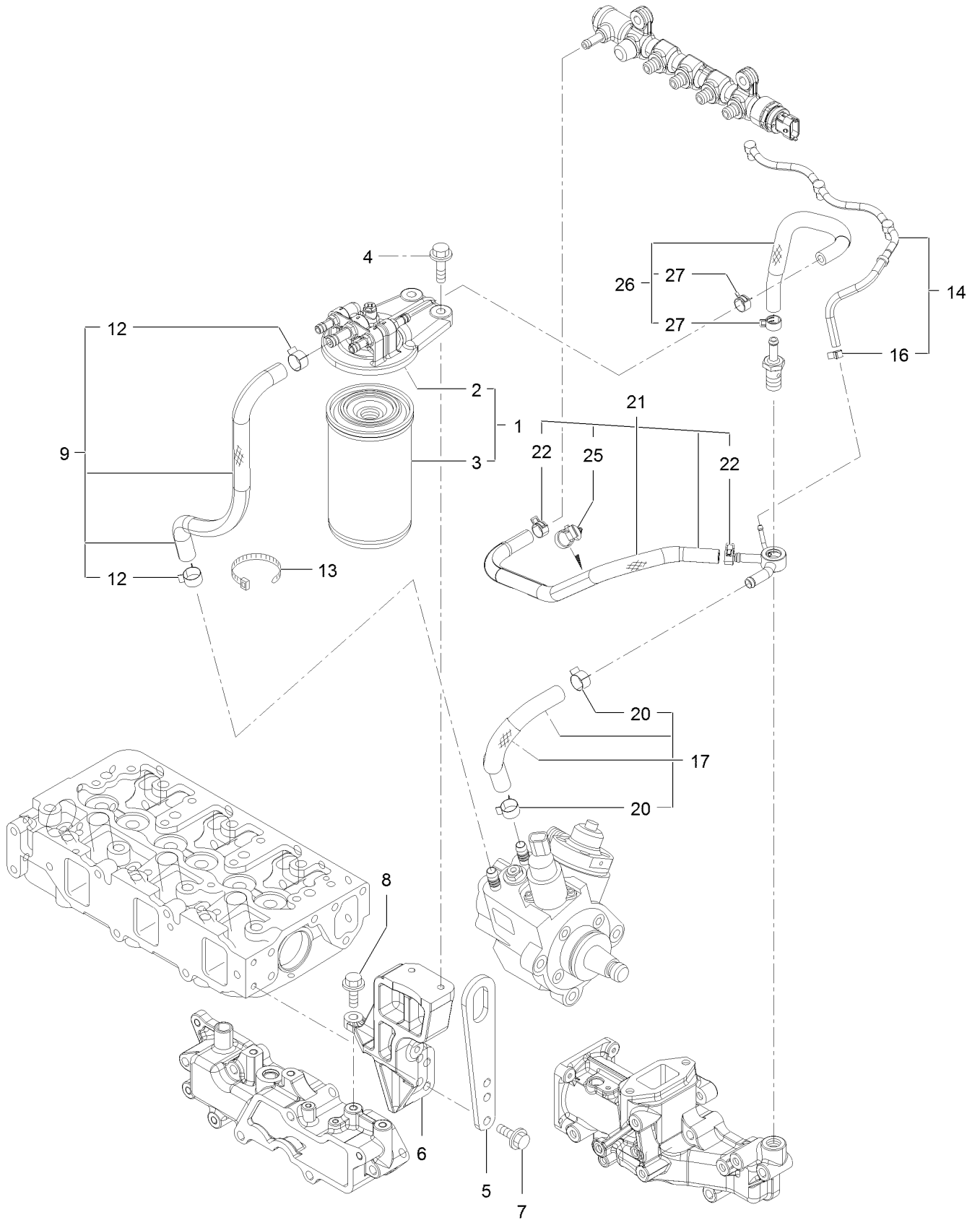
Fuel Injection Valve Assembly



Fuel Injection Valve Assembly (continued)

<i>Ref.</i>	<i>Part Number</i>	<i>Qty.</i>	<i>Description</i>	<i>Ref.</i>	<i>Part Number</i>	<i>Qty.</i>	<i>Description</i>
1	127-4754	3	Injector ASM	11	125-7215	2	Bolt
4	130-7430	3	Ring-Retaining	12	127-3813	2	Retainer
6	137-5173	3	O-Ring	14	127-3082	1	Rail In Pipe ASM
7	127-3812	1	Rail ASM	16	127-3814	1	Injection Pipe ASM
8	130-7431	1	Sensor-Pressure, Rail	17	127-3083	1	Injection Pipe ASM
9	130-7432	1	Valve ASM	18	127-3084	1	Injection Pipe ASM
10	130-7433	1	O-Ring	19	125-7231	2	Nut

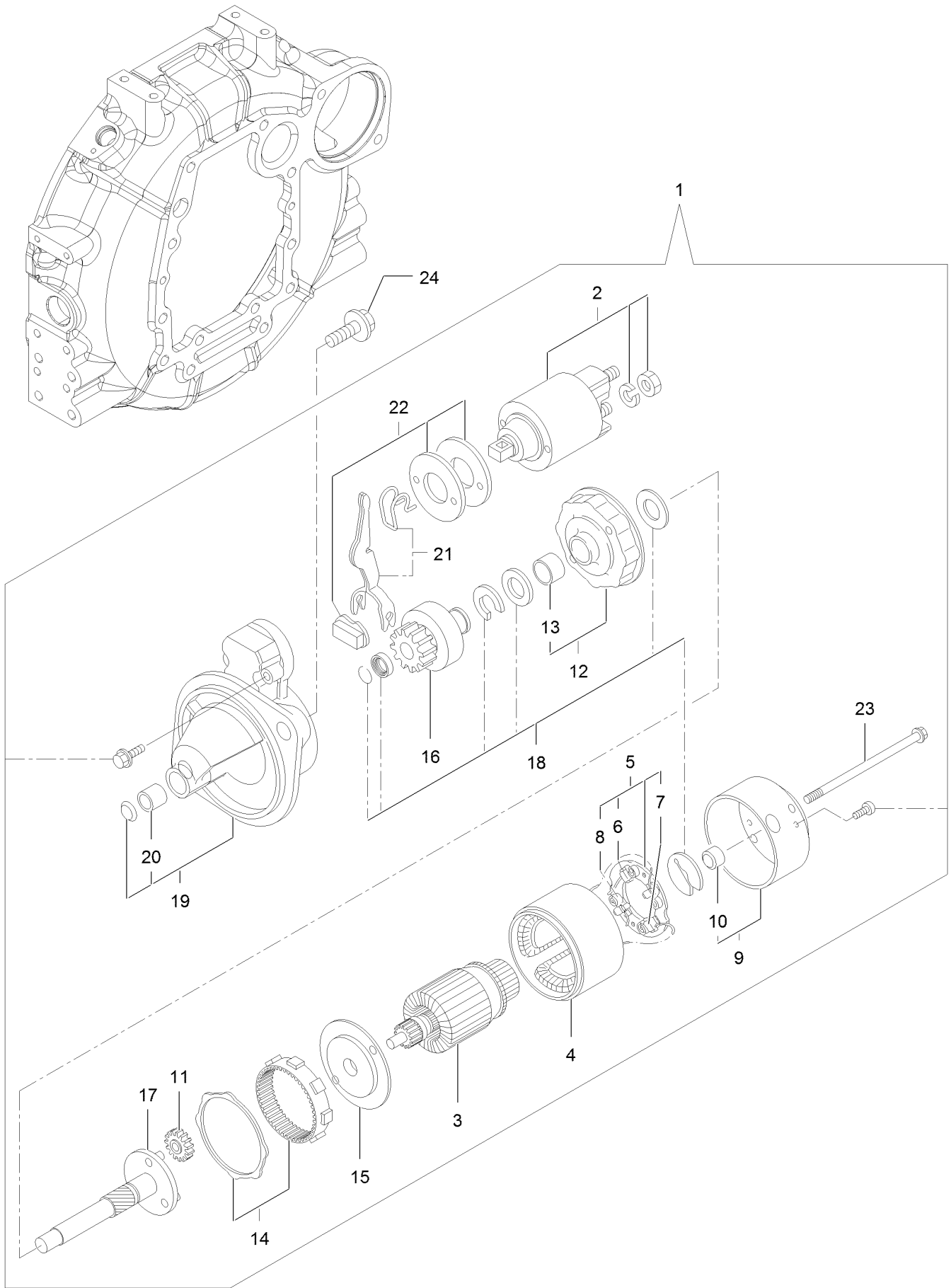
Fuel Line Assembly



Fuel Line Assembly (continued)

<i>Ref.</i>	<i>Part Number</i>	<i>Qty.</i>	<i>Description</i>	<i>Ref.</i>	<i>Part Number</i>	<i>Qty.</i>	<i>Description</i>
1	127-3075	1	Fuel/Oil Filter ASM	13	127-2981	1	Band
2	127-3076	1	Fuel/Oil Filter Bracket ASM	14	135-4023	1	Pipe ASM-Fo Return
3	125-8752	1	Filter-Fuel/Oil	16	127-3172	1	Clamp-Hose
4	125-7216	2	Bolt	17	127-3078	1	Fuel Pipe ASM
5	125-7111	1	Lifter	20	125-7191	2	Clamp-Hose
6	127-3815	1	Filter Bracket ASM	21	127-3817	1	Fuel Pipe ASM
7	125-7215	2	Bolt	22	127-2950	2	Clip-Hose
8	125-7215	1	Bolt	25	127-3087	1	Band-Clip
9	127-3077	1	Fuel Pipe ASM	26	127-3079	1	Fuel Pipe ASM
12	125-7191	2	Clamp-Hose	27	127-2950	2	Clip-Hose

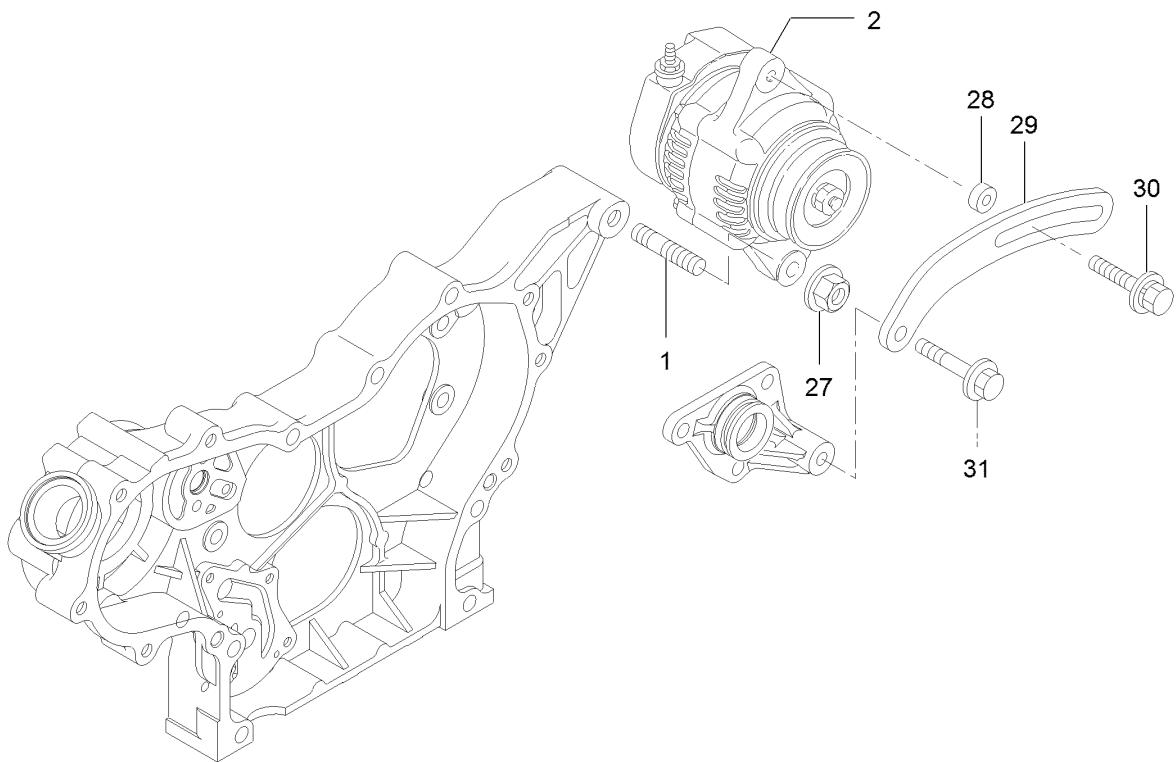
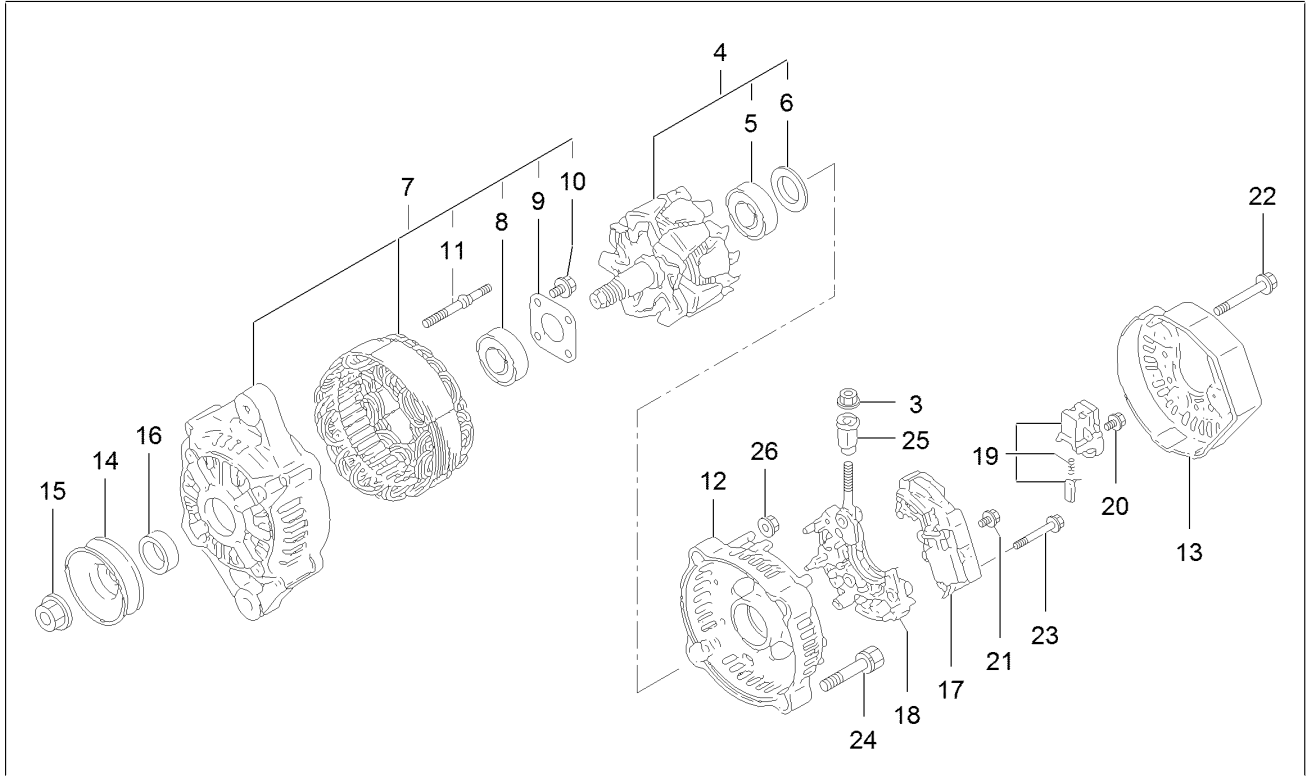
Starting Motor Assembly



Starting Motor Assembly (continued)

<i>Ref.</i>	<i>Part Number</i>	<i>Qty.</i>	<i>Description</i>	<i>Ref.</i>	<i>Part Number</i>	<i>Qty.</i>	<i>Description</i>
1	127-3818	1	Starter ASM	13	127-3830	1	Bracket
2	127-3819	1	Switch ASM	14	127-3831	1	Gear
3	127-3820	1	Armature ASM	15	127-3832	1	Bracket
4	127-3821	1	Yoke ASM	16	127-3833	1	Pinion ASM
5	127-3822	1	Brush Holder ASM	17	127-3834	1	Shaft
6	127-3823	2	Brush	18	127-3835	1	Washer Set
7	127-3824	1	Brush Set	19	127-3836	1	Case ASM
8	127-3825	4	Spring	20	127-3837	1	Metal-Starter
9	127-3826	1	Cover ASM	21	127-3838	1	Lever Set
10	127-3827	1	Metal	22	127-3839	1	Dust Cover ASM
11	127-3828	3	Gear	23	135-4024	2	Bolt-Through
12	127-3829	1	Bracket	24	125-7225	2	Bolt

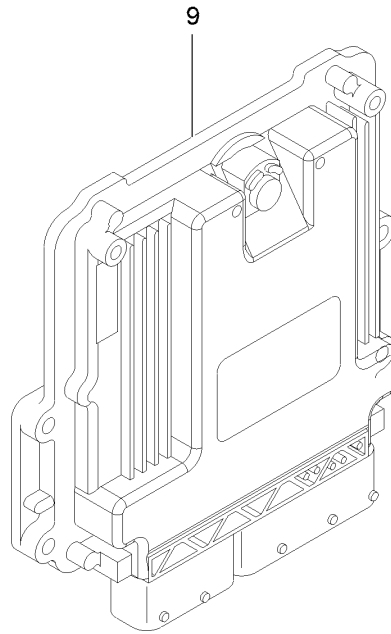
Generator Assembly



Generator Assembly (continued)

<i>Ref.</i>	<i>Part Number</i>	<i>Qty.</i>	<i>Description</i>	<i>Ref.</i>	<i>Part Number</i>	<i>Qty.</i>	<i>Description</i>
1	127-3011	1	Stud	17	135-4026	1	Regulator ASM
2	135-4278	1	Alternator	18	127-3848	1	Holder
3	127-3190	1	Nut	19	127-2993	1	Holder
4	127-3843	1	Rotor ASM	20	127-2965	6	Screw
5	127-2983	1	Bearing-Ball	21	127-2966	1	Screw
6	127-2962	1	Cover	22	127-2967	3	Bolt
7	135-4025	1	Frame ASM	23	127-2968	2	Screw
8	127-2958	1	Bearing-Ball	24	127-2969	2	Bolt
9	127-2959	1	Plate-Retainer	25	127-2970	1	Bushing-Insulation
10	127-2960	4	Screw	26	127-2971	2	Nut
11	127-2961	2	Stud	27	125-7230	1	Nut
12	127-3845	1	Frame	28	125-6947	1	Spacer
13	127-3846	1	Cover	29	127-2977	1	Adjuster
14	127-2954	1	Pulley	30	135-4027	1	Bolt-Adjust
15	127-2955	1	Nut	31	125-7219	1	Bolt
16	127-2957	1	Collar				

Electronic Control Unit Assembly

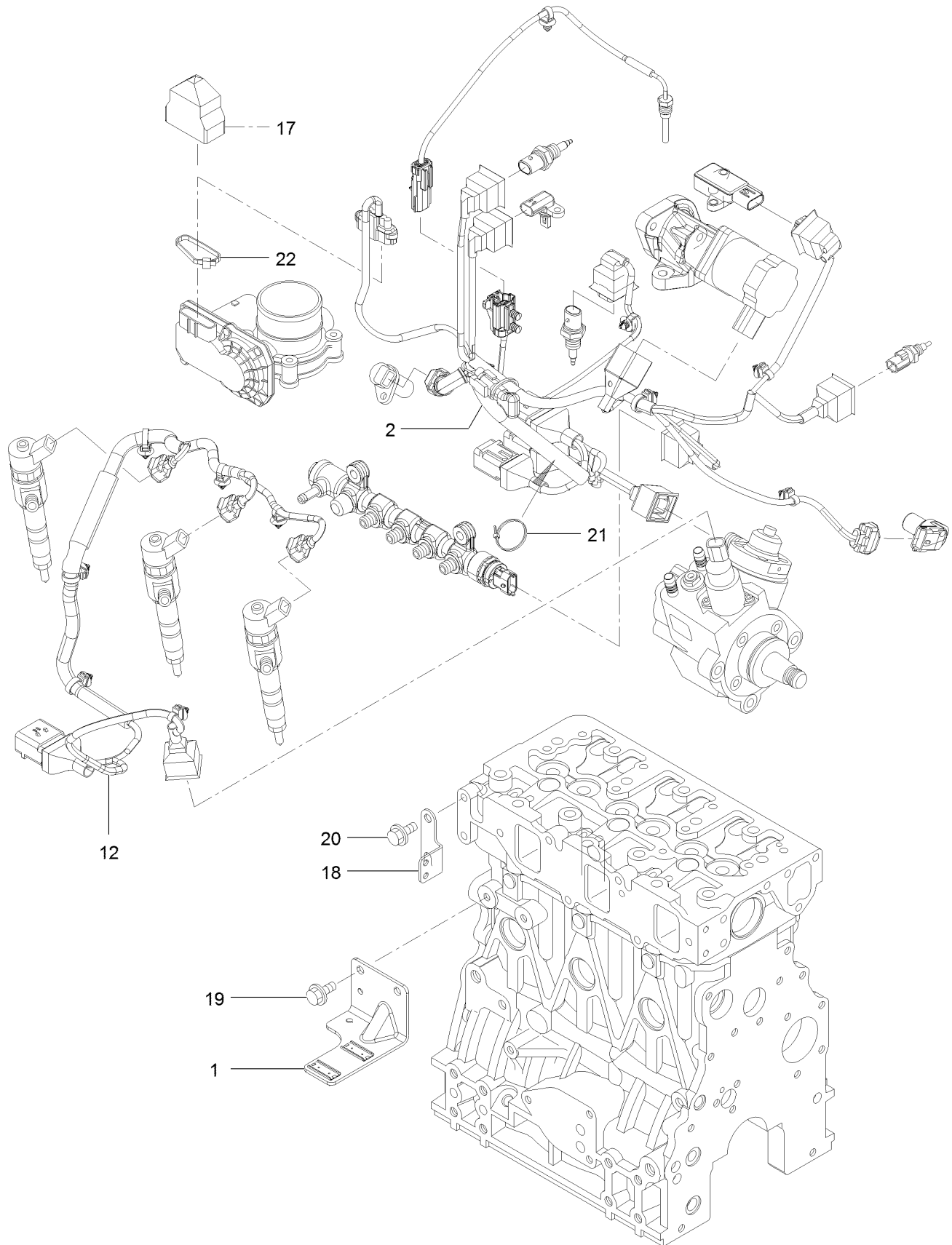


Electronic Control Unit Assembly (continued)

<i>Ref.</i>	<i>Part Number</i>	<i>Qty.</i>	<i>Description</i>
9	127-3085	1	E C U ASM ●

● Contact an Authorized Service Dealer

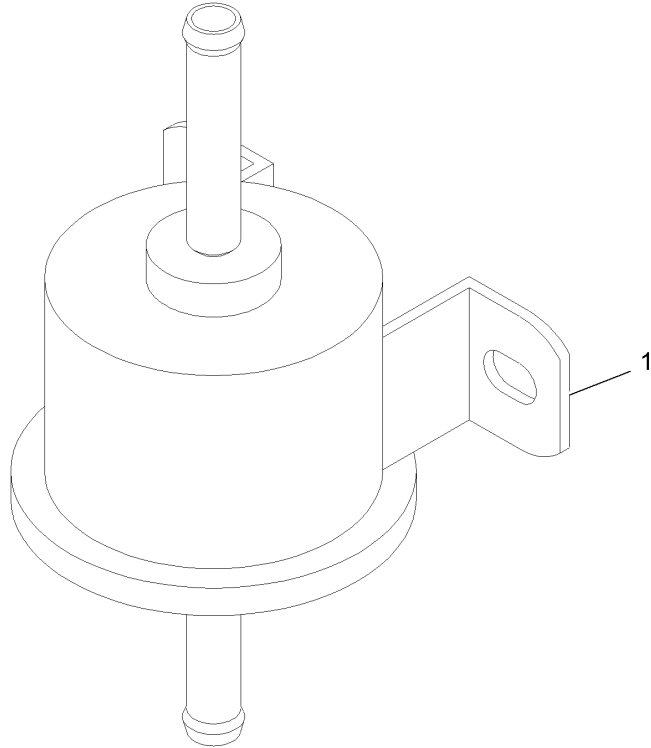
Electric Parts Assembly



Electric Parts Assembly (continued)

<i>Ref.</i>	<i>Part Number</i>	<i>Qty.</i>	<i>Description</i>	<i>Ref.</i>	<i>Part Number</i>	<i>Qty.</i>	<i>Description</i>
1	130-7436	1	Bracket-Connector	19	125-7213	2	Bolt
2	135-4029	1	Harness	20	125-7212	2	Bolt
12	130-7438	1	Harness	21	127-3187	1	Band
17	131-2713	1	Boot-Cap	22	127-3188	1	Band
18	127-3090	1	Bracket-Harness				

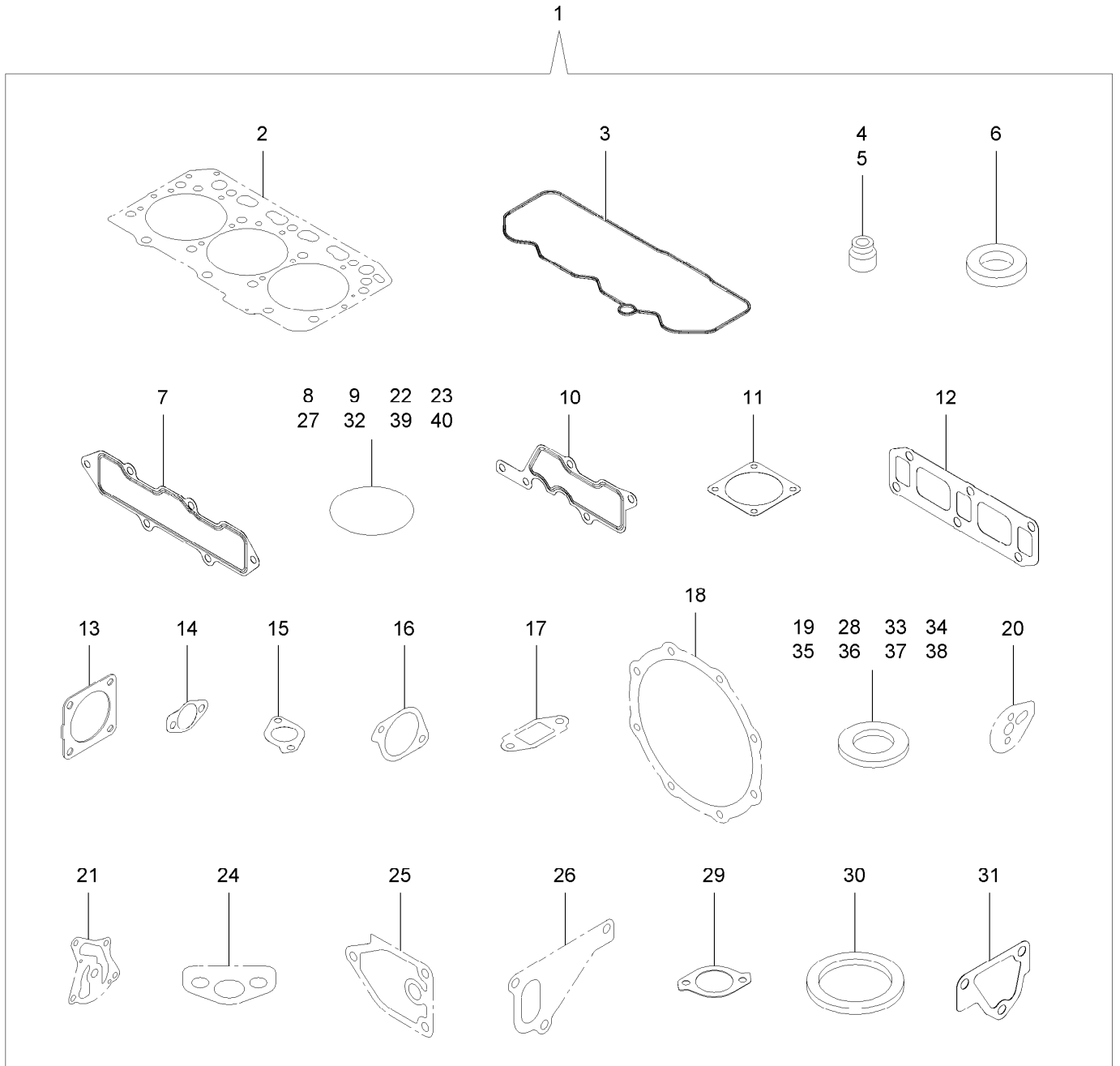
Fuel Pump Assembly



Fuel Pump Assembly (continued)

<i>Ref.</i>	<i>Part Number</i>	<i>Qty.</i>	<i>Description</i>
1	121-5613	1	Pump-Fuel, Electric

Gasket Set



Gasket Set (continued)

<i>Ref.</i>	<i>Part Number</i>	<i>Qty.</i>	<i>Description</i>	<i>Ref.</i>	<i>Part Number</i>	<i>Qty.</i>	<i>Description</i>
1	130-7440	1	Packing (Gasket Set)	21	127-3004	1	Gasket
2	127-4716	1	Head Gasket ASM	22	125-6909	2	O-Ring
3	127-3856	1	Gasket-Valve Cover	23	127-2973	1	O-Ring
4	127-2986	3	Seal-Stem, Valve	24	125-7022	1	Gasket
5	127-3027	3	Seal-Stem, Valve	25	125-7024	1	Gasket
6	127-3021	3	Gasket-Injector	26	125-7047	1	Gasket
7	127-3857	1	Gasket-Manifold, Intake	27	125-7048	1	O-Ring
8	127-3032	2	O Ring-Sensor, Pressure	28	125-6979	1	Gasket
9	127-3033	1	O-Ring	29	125-7110	1	Gasket
10	127-3034	1	Gasket-Collector	30	125-7026	1	Gasket
11	127-3037	2	Gasket-Throttle	31	125-6978	1	Gasket
12	127-3775	1	Gasket-Manifold, Exhaust	32	127-3074	1	O-Ring
13	127-2987	1	Gasket-Silencer	33	125-7174	1	Washer-Seal
14	127-3043	2	Gasket-Cooler, E G R	34	125-7176	1	Washer-Seal
15	127-3016	1	Gasket	35	127-3166	2	Washer-Seal
16	127-3050	1	Gasket-Intake Valve, E G R	36	125-7177	1	Washer-Seal
17	127-3051	1	Gasket-Out Valve, E G R	37	125-7192	1	Gasket
18	127-3859	2	Gasket-D P F	38	127-3174	2	Gasket
19	127-3056	4	Gasket-Sensor	39	93-0418	3	O-Ring
20	127-3069	1	Gasket-Idle, Shaft B	40	125-7197	2	O-Ring

Attachments and Accessories

For 74096 Z Master Professional 7500-D Series Riding Mower With 96in TURBO FORCE Rear Discharge Mower

Product Name	Model/Part
Blade-Mid Flow, 24.5in	105-7711-03
Blade-Lo Flow, 24.5in	105-7712-03
Blade-Atomic, 24.5in	105-7719-03
Blade-Recycler, 24.5in	105-7778-03
Blade-Hi Flow, 24.5in.....	105-7784-03
6 Pack Blade, 24.5in Hi-Flow	108-1120
6 Pack Blade, 24.5in Atomic	108-1126
Premium Transmission/Hydraulic Tractor Fluid (55 Gallon Drum).....	108-1183
Premium Transmission/Hydraulic Tractor Fluid (5 Gallon Pail)	108-1184
6 Pack-Blade, 24.5in Mid-Flow	110-0404
6 Pack-Blade, 24.5in Lo-Flow	110-0410
6 Pack-Blade, 24.5in Recycler.....	110-0411
Sunshade Kit	126-8077
Jack Kit.....	127-6666
Jack Mount Kit	135-1768
Blade-Mulch, 24.5in.....	135-2446
Mulch Kit-96inch	135-2449
Slow Moving Vehicle Kit.....	135-2891
Rear Guard Kit.....	135-3445
Hitch Kit	135-3616
Oil-30/10W-30 Synthetic (Quart).....	138-6053
Oil-30/10W-30 Synthetic (Gallon)	138-6054

Notes:

Notes:

Notes:



Count on it.