



Count on it.

Parts Catalog

**Flex-Force Power System™ 60V
MAX**

Snowthrower

Model No. 39901—Serial No. 319000001 and Up



Ordering Replacement Parts

To order replacement parts, please supply the part number, the quantity, and the description of each part desired.

Understanding Reference Numbers

Each identified part in an illustration has a reference number. The reference number for a part also appears in the parts list, along with other information about the part.

This catalog uses two special reference number formats, one to indicate parts in a service assembly and another to indicate the quantity of a given part in an illustration.

Service Assembly Reference Numbers

Parts in service assemblies have reference numbers in the form a:b. The a represents the reference number of the entire service assembly and the b represents a sequential number unique to each part within the service assembly.

For example, a wheel assembly might be identified by reference number 6, the tire by 6:1, the valve by 6:2, and the wheel by 6:3. When you order the assembly identified by reference number 6, you receive all parts identified by reference numbers 6:1, 6:2, and 6:3. However, you may also order any part individually. Reference numbers of this type appear in illustration and in parts lists.

Reference Numbers Indicating Quantity

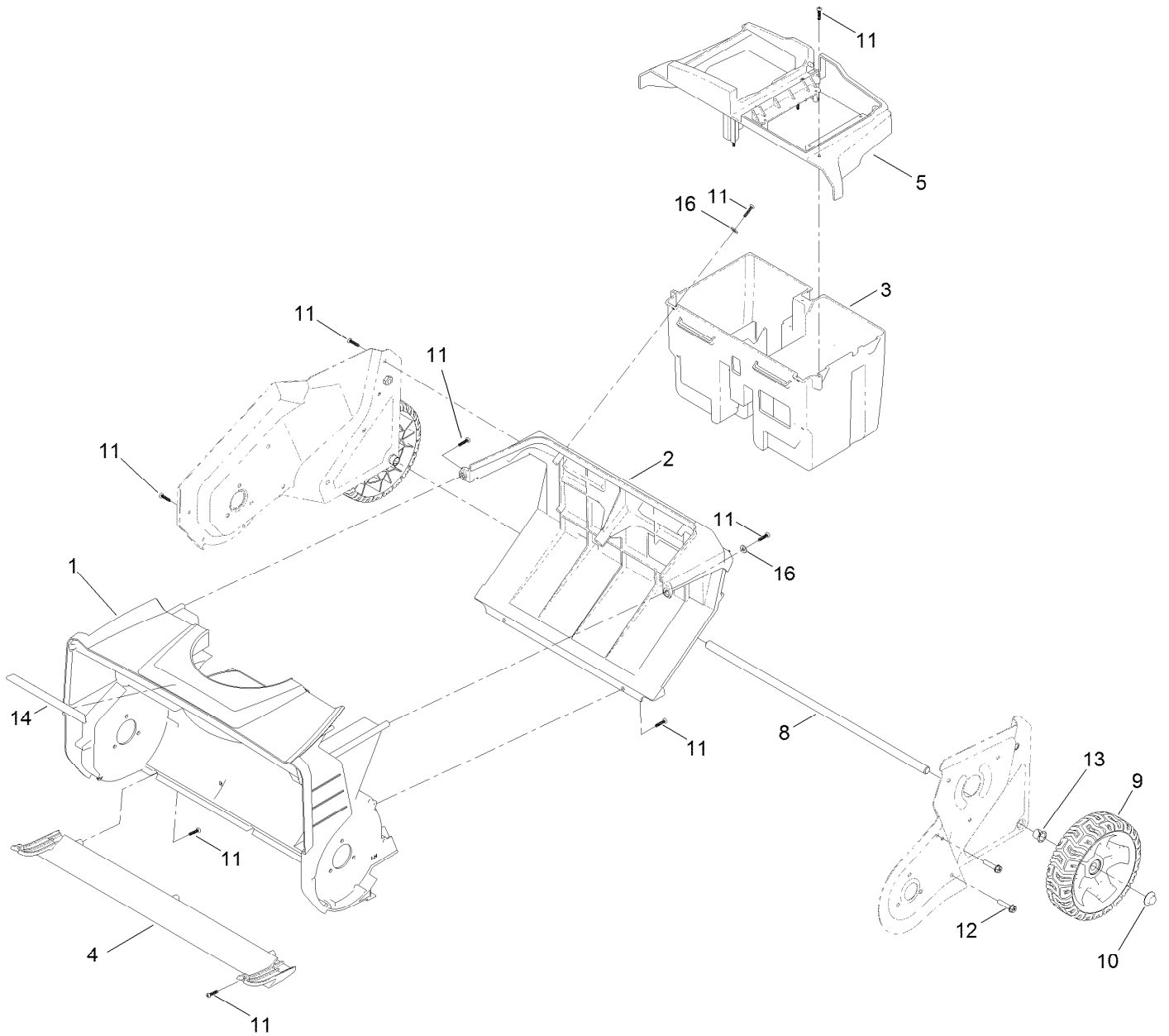
In an illustration, if a reference number indicates more than one part, the reference number has the form nX y. The n represents the quantity of the part, the X is the multiplication symbol, and the y represents the reference number.

For example, in an illustration, the reference number 2X 37 means that two of the parts identified by reference number 37 are indicated.

Contents

- Frame Assembly 4
- Drive Belt Assembly 6
- Chute Assembly 8
- Handle Assembly 10
- Electrical Assembly 12
- Attachments and Accessories 14

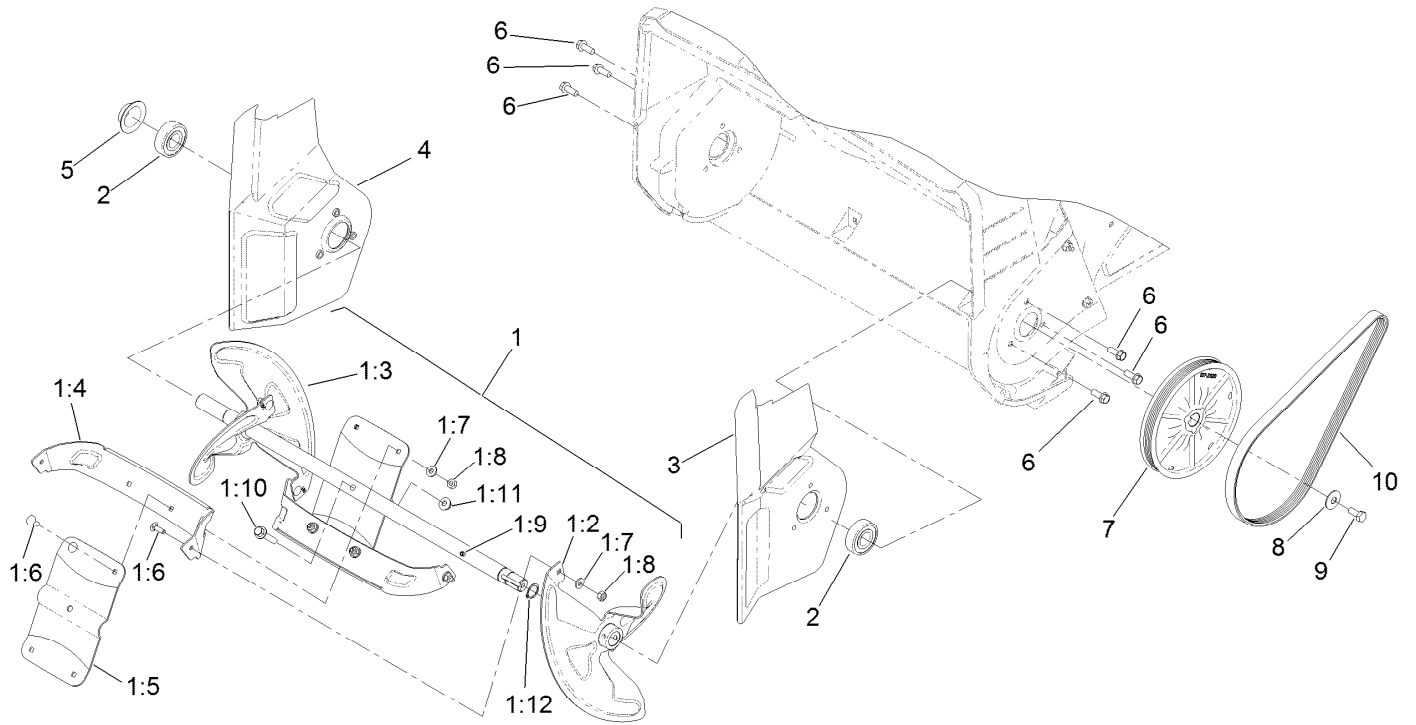
Frame Assembly



Frame Assembly (continued)

<i>Ref.</i>	<i>Part Number</i>	<i>Qty.</i>	<i>Description</i>	<i>Ref.</i>	<i>Part Number</i>	<i>Qty.</i>	<i>Description</i>
1	137-2276	1	Housing	10	32112-14	2	Nut-Push
2	137-2280	1	Bulkhead	11	94-4496	25	Screw-PPH
3	137-9425	1	Container-Battery	12	46-8094	4	Screw-Plastic
4	137-2277	1	Scraper	13	256-257	2	Bushing-Nyliner
5	137-9426	1	Skirt-Container, Battery	14	137-2333	1	Decal-Power Edge
8	137-2256-03	1	Axle	16	3256-77	6	Washer-Flat
9	137-9428	2	Wheel ASM				

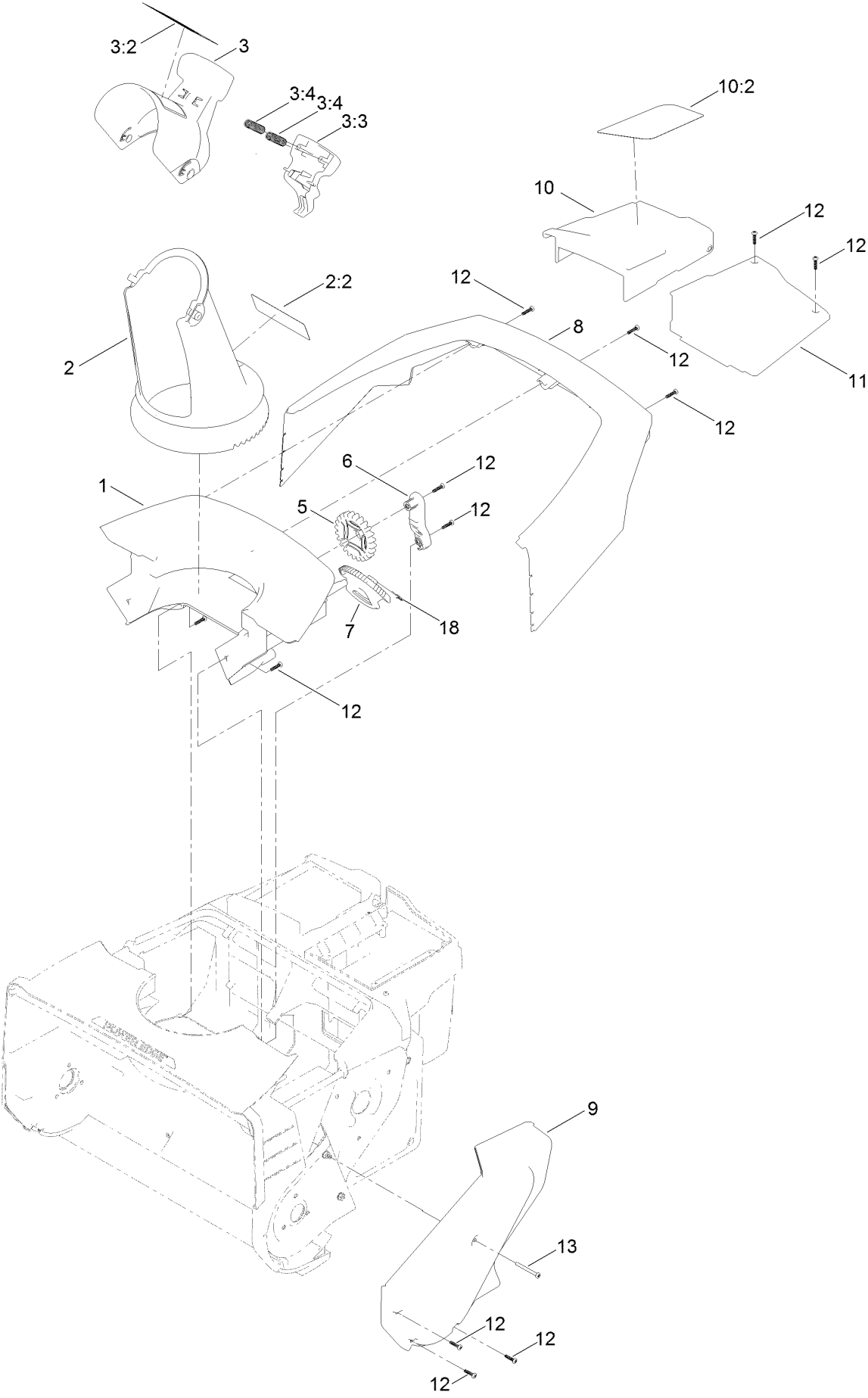
Drive Belt Assembly



Drive Belt Assembly (continued)

<i>Ref.</i>	<i>Part Number</i>	<i>Qty.</i>	<i>Description</i>	<i>Ref.</i>	<i>Part Number</i>	<i>Qty.</i>	<i>Description</i>
1	137-9385	1	Rotor ASM	1:12	137-9468	1	Ring-Snap, External
1:2	132-9161	1	Blade-Rotor, LH	2	38-7820	2	Bearing-Ball
1:3	132-9162	1	Blade-Rotor, RH	3	137-9389	1	Extension-LH
1:4	137-9386	2	Rotor-Center	4	137-9388	1	Extension-RH
1:5	137-9387	2	Paddle-Center	5	117-7720	1	Cap-Sideplate, RH
1:6	3229-34	8	Screw-CARR	6	32144-85	6	Screw-HWH
1:7	3256-77	8	Washer-Flat	7	137-2320	1	Rotor Pulley ASM (6 Groove)
1:8	3296-2	8	Nut-Lock, NI	8	3290-456	1	Washer-Belleville
1:9	132-9169	2	Pin-Spiral	9	110-9381	1	Screw-HH
1:10	127-8639	1	Screw-HHF	10	137-9427	1	Belt-V, Ribbed
1:11	104-7201	1	Nut-HF				

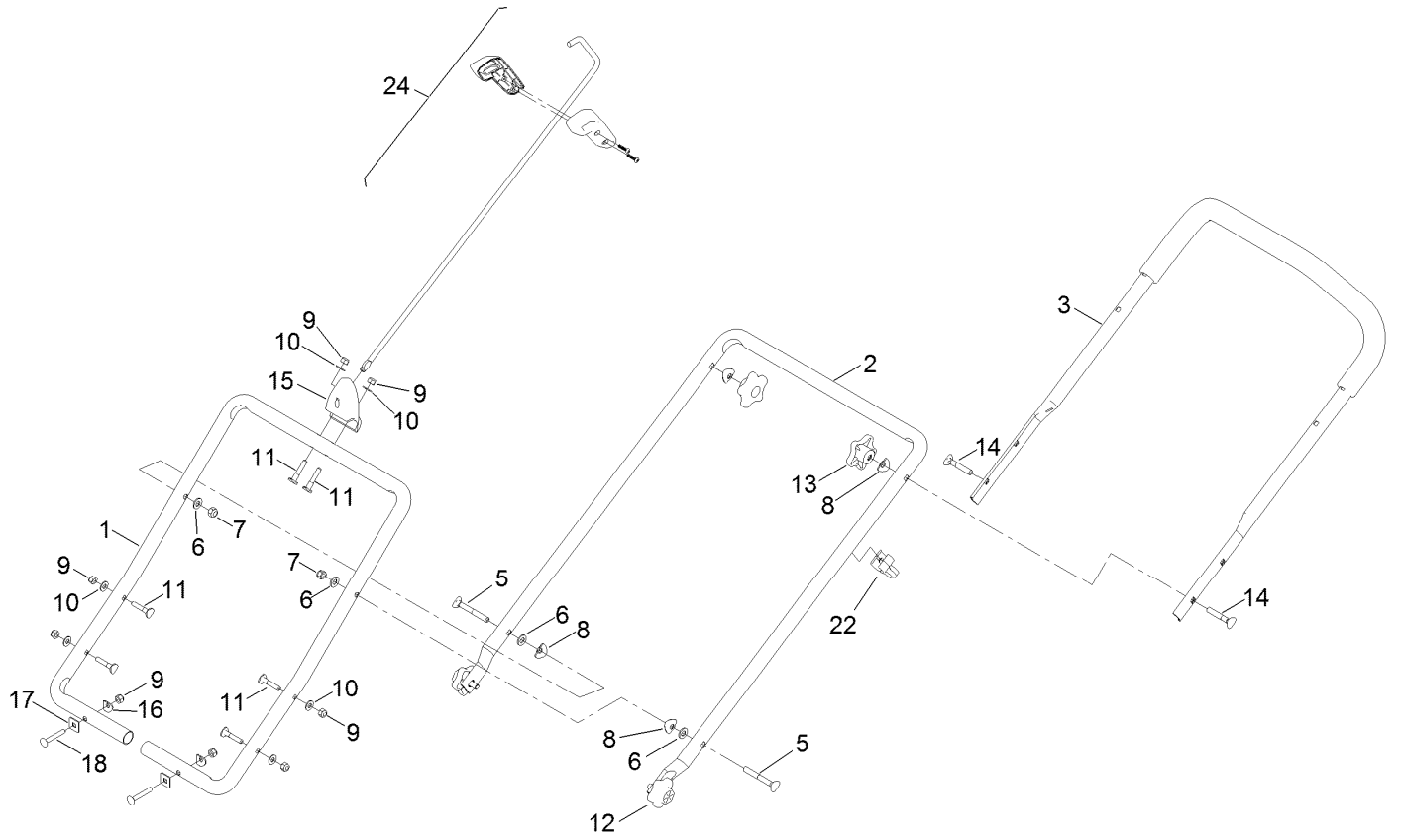
Chute Assembly



Chute Assembly (continued)

<i>Ref.</i>	<i>Part Number</i>	<i>Qty.</i>	<i>Description</i>	<i>Ref.</i>	<i>Part Number</i>	<i>Qty.</i>	<i>Description</i>
1	137-2278	1	Chute-Rear	7	139-5234	1	Gear-Sector
2	139-5239	1	Chute	8	137-2279	1	Shroud
2:2	114-9035	1	Decal-Danger, Discharge	9	137-9431	1	Cover-Belt
3	139-5240	1	Deflector-Chute	10	139-5238	1	Cover-Battery
3:2	114-9034	1	Decal-Danger	10:2	137-2332	1	Decal-Battery, 60V Snow
3:3	117-2314	1	Trigger-Deflector	11	137-2283	1	Cover-Controller
3:4	136-7136	2	Spring-Compression	12	94-4496	14	Screw-PPH
5	137-2271	1	Gear-Chute	13	110-3143	1	Screw-Plastic, PPH
6	137-2270	1	Bracket-Gear	18	139-5229	1	Clip-Handle

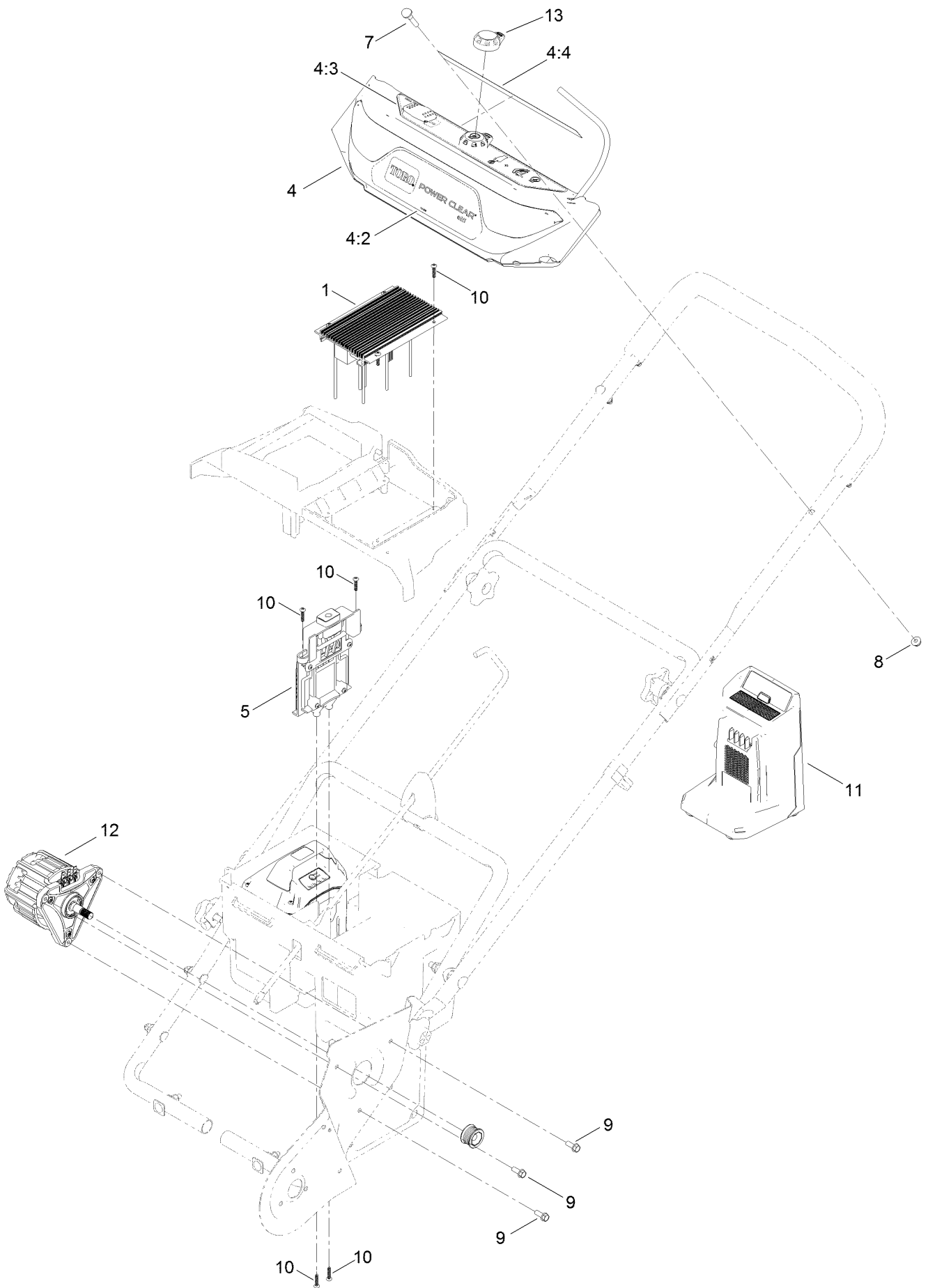
Handle Assembly



Handle Assembly (continued)

<i>Ref.</i>	<i>Part Number</i>	<i>Qty.</i>	<i>Description</i>	<i>Ref.</i>	<i>Part Number</i>	<i>Qty.</i>	<i>Description</i>
1	132-9183	1	Handle-Lower	12	137-9390	2	Knob-Handle
2	132-9184	1	Handle-Middle	13	117-5976	2	Knob-Handle
3	137-2326	1	Upper Handle ASM	14	92-2260	2	Screw-Handle
5	125-8408	2	Screw-Handle	15	137-9303	1	Guide-Rod, Chute
6	3256-70	4	Washer-Flat	16	3-7501	2	Washer
7	3296-72	2	Nut-Lock, NI	17	75-9040	2	Washer-Square
8	107-3844	4	Washer	18	3229-5	2	Screw-CARR
9	3296-73	8	Nut-Lock, NI	22	114-7988	1	Guide-Cable
10	3256-1	6	Washer-Flat	24	139-5244	1	Handle ASM
11	117-7737	6	Screw-Handle				

Electrical Assembly



Electrical Assembly (continued)

<i>Ref.</i>	<i>Part Number</i>	<i>Qty.</i>	<i>Description</i>	<i>Ref.</i>	<i>Part Number</i>	<i>Qty.</i>	<i>Description</i>
1	137-9424	1	Motor-Driver, Snow (60V)	7	117-7737	4	Screw-Handle
4	137-2347	1	Dash Panel ASM W/Decals	8	104-7201	4	Nut-HF
4:2	137-2259	1	Decal-Power Clear	9	32144-85	3	Screw-HWH
4:3	137-2258	1	Decal-Operation	10	94-4496	8	Screw-PPH
4:4	137-2257	1	Decal-Caution	11	137-9439	1	Charger-60V (2A)
5	137-9404	1	Battery Track ASM	12	139-5245	1	Motor ASM
6	137-9449	1	60V Battery, 3P 7.5Ah ●	13	139-5255	1	Key-Bail

● Not illustrated

Attachments and Accessories

For 39901 Flex-Force Power System 60V MAX Snowthrower

Product Name	Model/Part
60V Battery Charger 2 AMP	88602
60V LI-ION Battery 2.5 AH.....	88625
60V LI-ION Battery 6.0 AH.....	88660
60V LI-ION Battery 7.5 AH.....	88675

Notes:



Count on it.