



Count on it.

Parts Catalog

Dust-Control

66in Rake-O-Vac® Sweeper

Model No. 07055—Serial No. 405700000 and Up



Ordering Replacement Parts

To order replacement parts, please supply the part number, the quantity, and the description of each part desired.

Understanding Reference Numbers

Each identified part in an illustration has a reference number. The reference number for a part also appears in the parts list, along with other information about the part.

This catalog uses two special reference number formats, one to indicate parts in a service assembly and another to indicate the quantity of a given part in an illustration.

Service Assembly Reference Numbers

Parts in service assemblies have reference numbers in the form a:b. The a represents the reference number of the entire service assembly and the b represents a sequential number unique to each part within the service assembly.

For example, a wheel assembly might be identified by reference number 6, the tire by 6:1, the valve by 6:2, and the wheel by 6:3. When you order the assembly identified by reference number 6, you receive all parts identified by reference numbers 6:1, 6:2, and 6:3. However, you may also order any part individually. Reference numbers of this type appear in illustration and in parts lists.

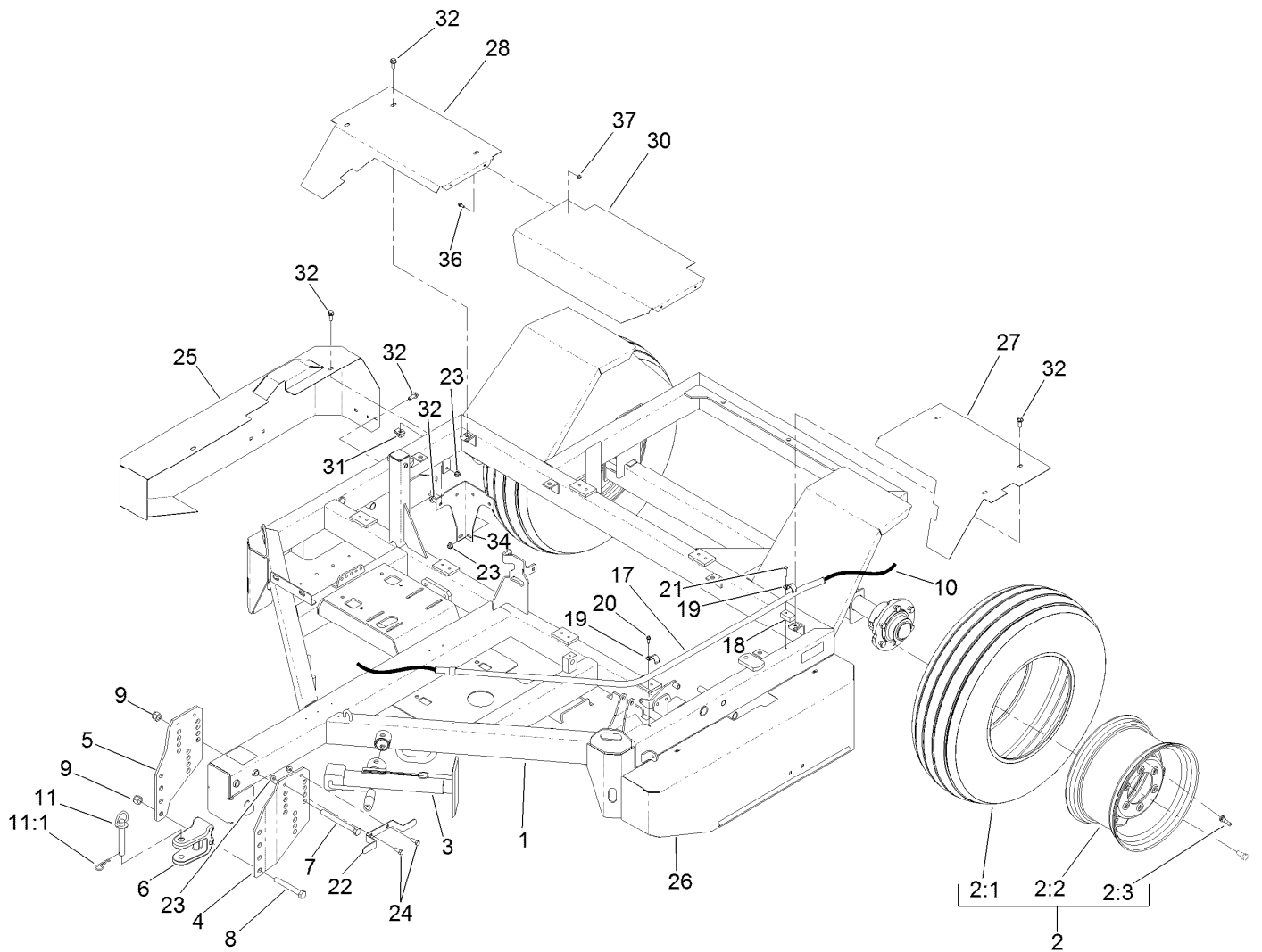
Reference Numbers Indicating Quantity

In an illustration, if a reference number indicates more than one part, the reference number has the form nX y. The n represents the quantity of the part, the X is the multiplication symbol, and the y represents the reference number.

For example, in an illustration, the reference number 2X 37 means that two of the parts identified by reference number 37 are indicated.

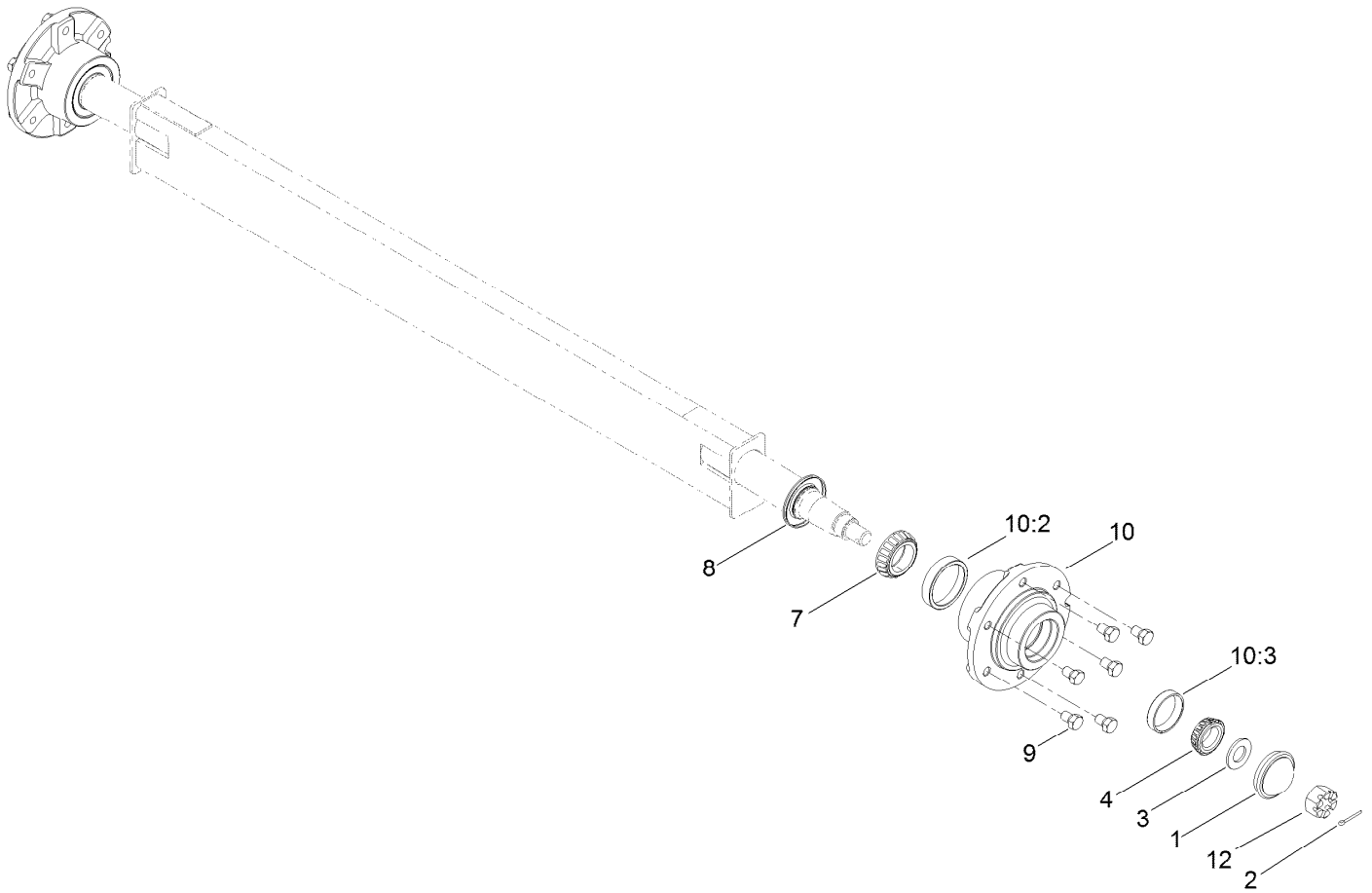
Contents

Frame and Tire Assembly	4
Wheel Hub Assembly	5
Frame Decal Assembly	6
Blower and Throat Assembly	7
Blower and Throat Assembly Decal Assembly	8
Blower Fan and Throat Flap Assembly	9
Rake and Trailing Arm Assembly	10
LH Trailing Arm Assembly No. 117-8470	11
Rake Assembly	12
Right Hand Trailing Arm Assembly	13
RH Trailing Arm Assembly No. 117-8460	14
Engine, Clutch and Muffler Assembly	15
Centrifugal Clutch Assembly No. 107-1050	17
Clutch Assembly No. 107-1070	18
Guard Assembly	19
Battery and Fuel System Assembly	20
Fuel Tank Assembly No. 115-9047	21
Hopper and Hood Assembly	22
Hopper Assembly 120-6170	24
Hopper Frame Assembly No. 120-6150	26
Hopper Roof Assembly No. 131-9360	27
Screen Floor Assembly No. 125-5955	28
Attachments and Accessories	29



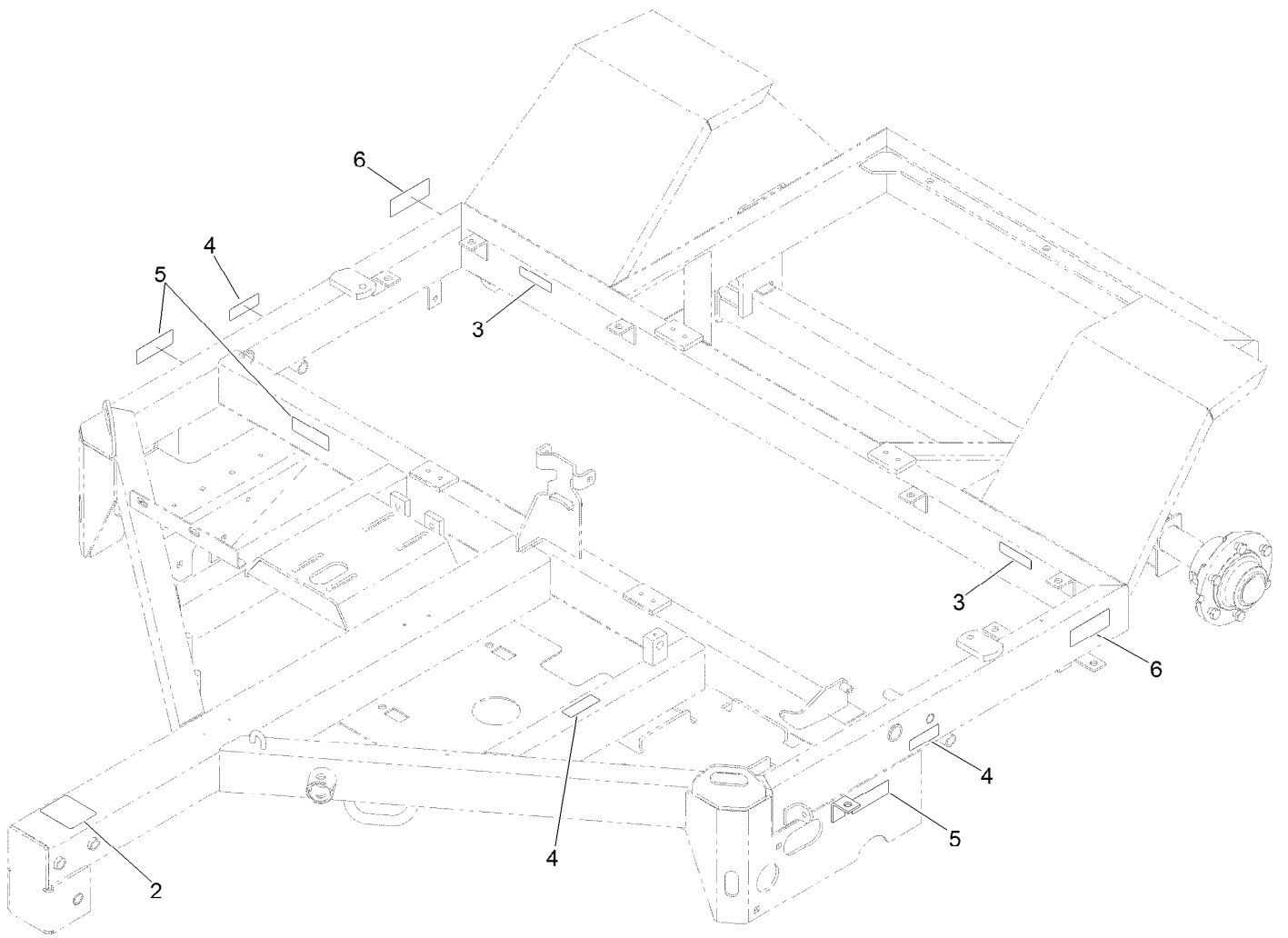
Frame and Tire Assembly

Ref.	Part Number	Qty.	Description	Ref.	Part Number	Qty.	Description
1	120-6049	1	Frame And Axle ASM	19	2412-40	3	Clamp-Conduit
2	119-6224	2	Wheel And Tire ASM	20	32104-95	2	Screw-HWH
2:1	119-6225	1	Tire	21	32104-96	1	Screw-HH
2:2	119-6226	1	Wheel	22	106-0262-01	1	Mount-Harness
2:3	232-27	1	Stem-Valve	23	104-8301	8	Nut-HF, NI
3	T0000-3423	1	Jack-Sidewind	24	323-6	2	Screw-HH
4	110-7518-03	1	Plate-Hitch, LH	25	121-2778-03	1	Guard-Belt
5	110-7519-03	1	Plate-Hitch, RH	26	121-2784-03	1	Guard-Foot
6	131-4381-01	1	Hitch-Clevis	27	121-2682-03	1	Guard-Brush, LH
7	327-17	3	Screw-HH	28	121-2683-03	1	Cover-Brush, RH
8	327-12	2	Screw-HH	30	121-2686-03	1	Cover-Brush, Center
9	3296-53	5	Nut-Lock, NI	31	105-4886	10	Nut-Tinnerman
10	20-9580	1	Rope-Latch	32	110-5052	16	Screw-HHF
11	13-6200	1	Pin-Hitch, Pointed	34	121-2706-03	2	Support-Cover
11:1	3290-343	1	Pin-Hair	36	3234-33	4	Screw-HHF
17	13-6890-01	1	Guide-Rope	37	104-7201	4	Nut-HF
18	13-6910-01	1	Spacer-Guide, Rope				



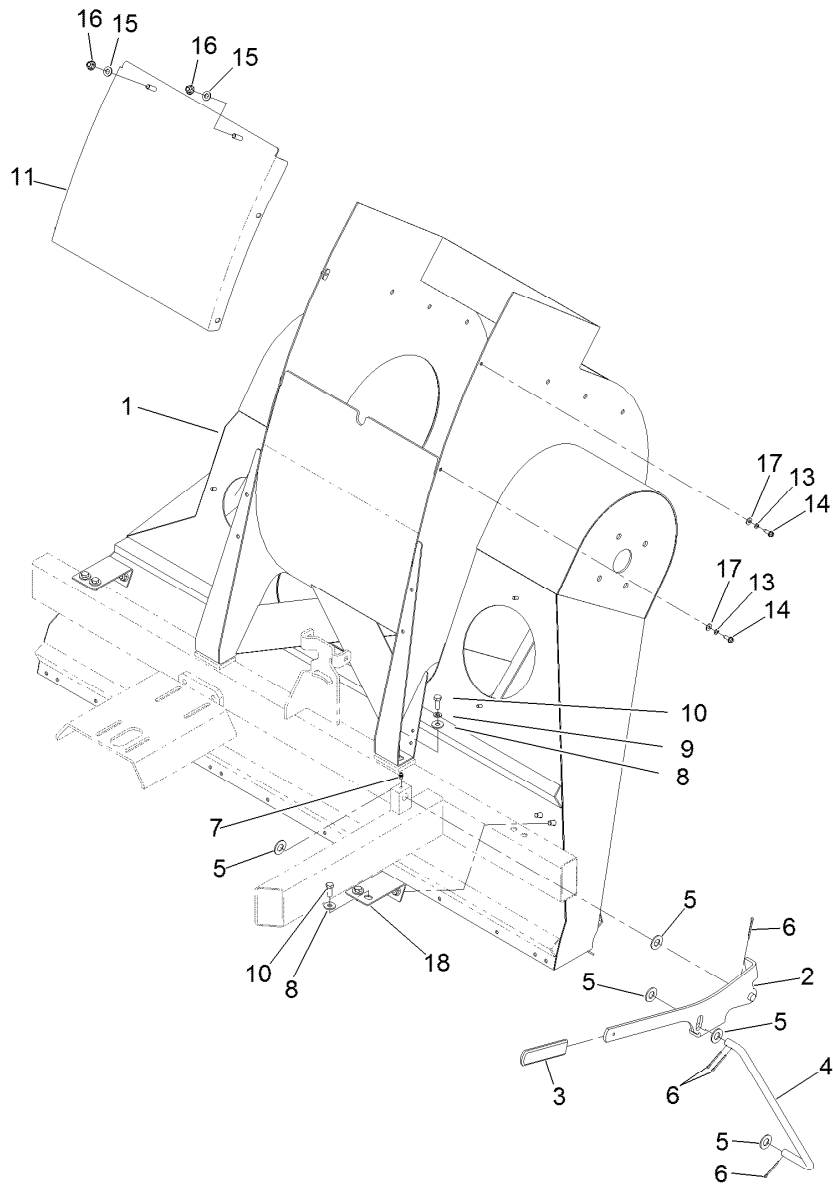
Wheel Hub Assembly

<i>Ref.</i>	<i>Part Number</i>	<i>Qty.</i>	<i>Description</i>
1	217-111	2	Cap-Hub
2	3272-17	2	Pin-Cotter
3	3256-29	2	Washer-Flat
4	254-62	2	Bearing-Roller, Cone
7	254-65	2	Bearing-Roller, Cone
8	253-127	2	Seal
9	217-103	12	Bolt-Wheel
10	117-8535	2	Hub-Cupped
10:2	254-66	1	Cup-Bearing, Roller
10:3	254-61	1	Cup-Bearing, Roller
12	32136-1	2	Nut-Slotted



Frame Decal Assembly

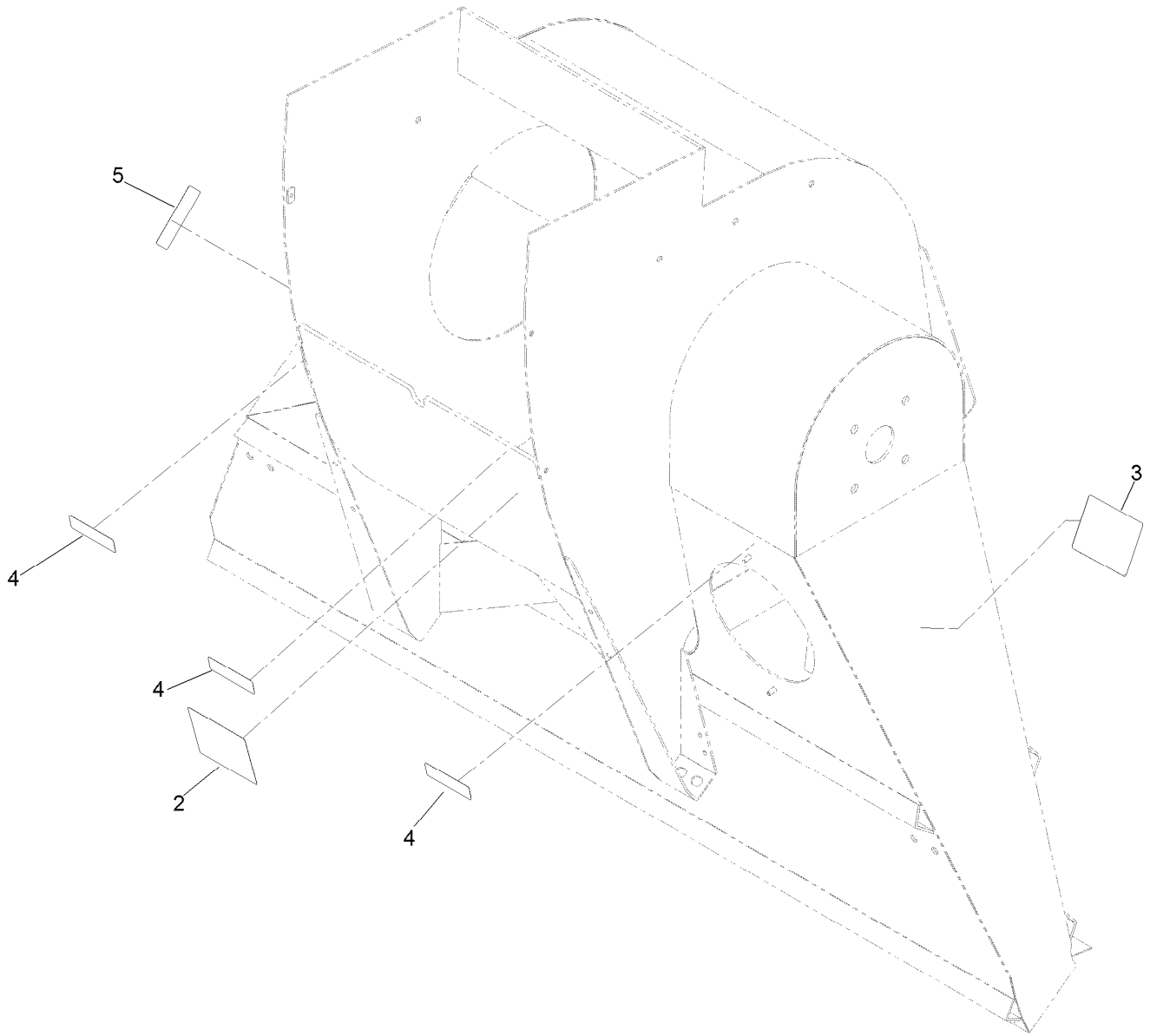
<i>Ref.</i>	<i>Part Number</i>	<i>Qty.</i>	<i>Description</i>
2	121-2836	1	Plate-Hitch, Caution
3	119-0217	2	Decal-Danger
4	120-0625	3	Decal-Warning
5	117-4979	3	Decal-Warning
6	121-2840	2	Decal-Caution



Blower and Throat Assembly

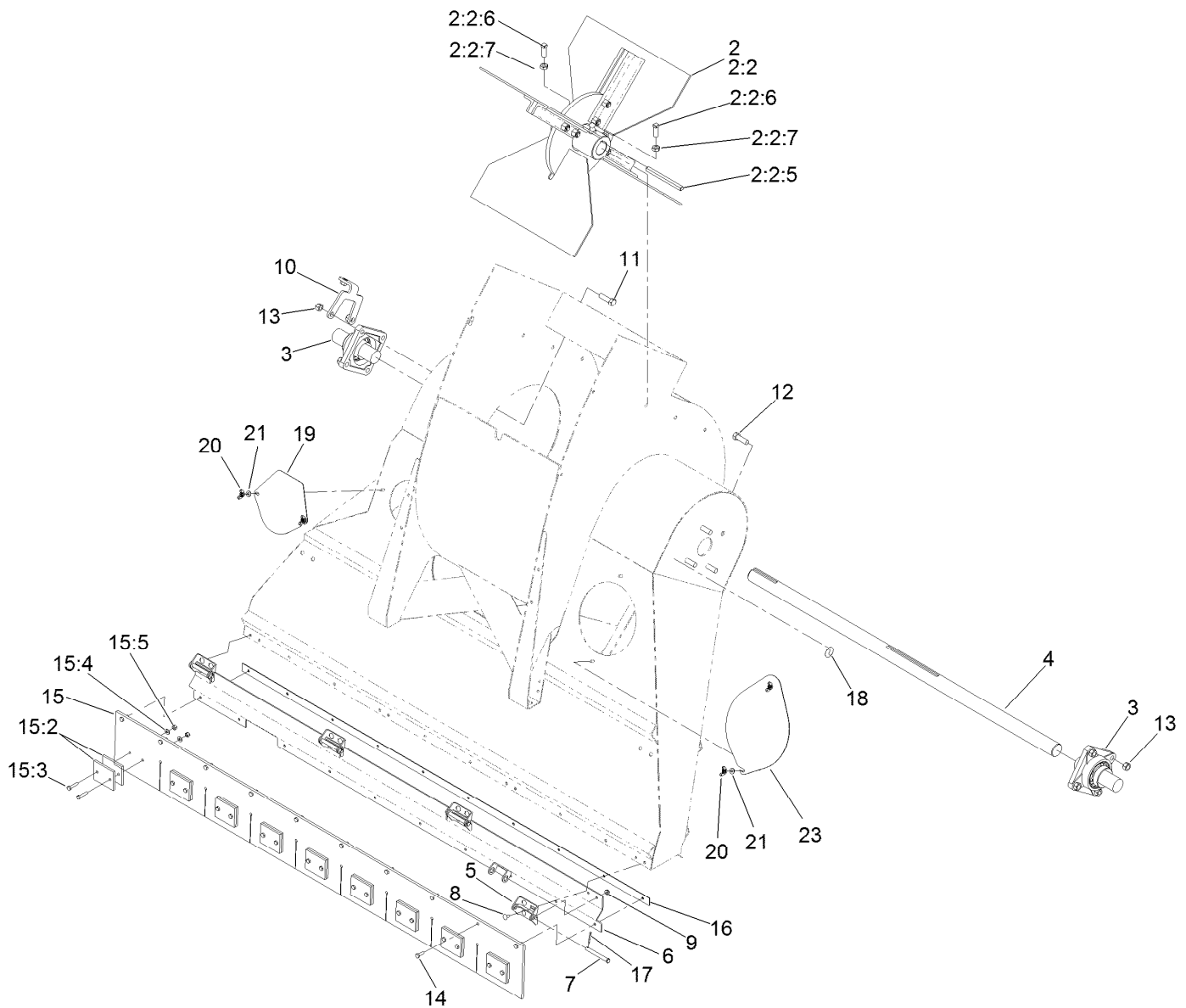
<i>Ref.</i>	<i>Part Number</i>	<i>Qty.</i>	<i>Description</i>	<i>Ref.</i>	<i>Part Number</i>	<i>Qty.</i>	<i>Description</i>
1		1	Blower And Throat ASM ●	10	323-6	16	Screw-HH
2	120-5965-03	1	Handle-Flap	11	119-6442-01	1	Door-Access
3	105-3450	1	Grip-Lever, Lift	13	3253-3	4	Washer-Lock
4	120-5966	1	Rod-Flap Lift	14	32104-95	4	Screw-HWH
5	3256-27	5	Washer-Flat	15	3256-24	2	Washer-Flat
6	3272-13	4	Pin-Cotter	16	104-8301	6	Nut-HF, NI
7	302-5	1	Fitting-Grease	17	3256-22	4	Washer-Flat
8	80-6990	16	Washer-Hardened	18	133-8453-01	2	Mount-Blower, Front
9	3253-21	12	Washer-Lock				

● Not serviced separately



Blower and Throat Assembly Decal Assembly

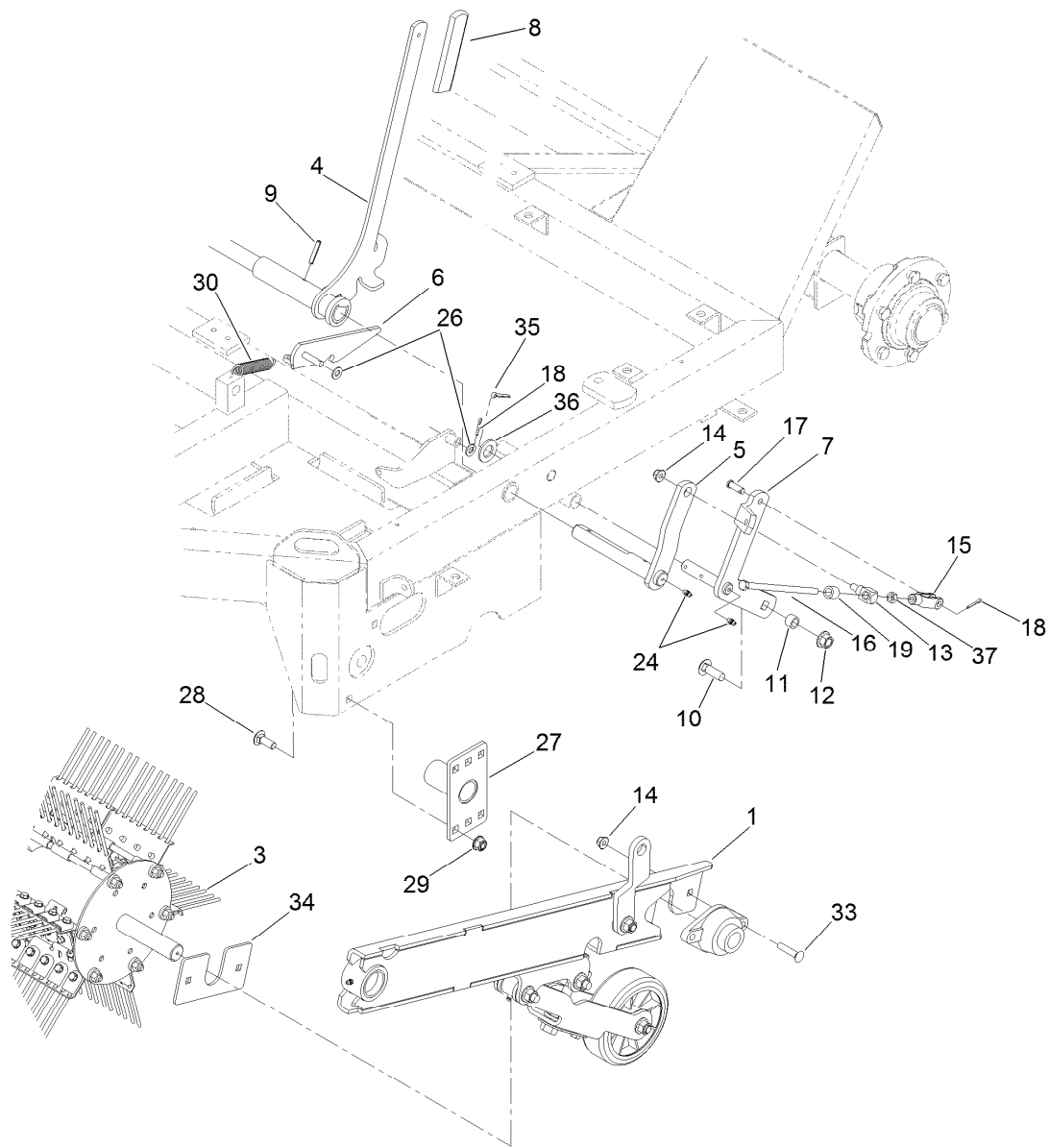
<i>Ref.</i>	<i>Part Number</i>	<i>Qty.</i>	<i>Description</i>
2	121-2839	1	Decal-Caution
3	121-2842	1	Decal-Instruction
4	121-2843	3	Decal-Warning
5	117-4979	1	Decal-Warning



Blower Fan and Throat Flap Assembly

Ref.	Part Number	Qty.	Description	Ref.	Part Number	Qty.	Description
2	13-3420-03	1	Fan ASM	13	32153-5	8	Nut-Hex
2:2		1	Fan ●	14	321-5	10	Screw-HH
2:2:5	13-2810	1	Square Key	15	13-4700	1	Lower Flap ASM
2:2:6	3244-14	4	Screw-Set, SQH	15:2	13-4560-03	18	Weight-Flap
2:2:7	3218-5	4	Nut-Jam	15:3	321-8	18	Screw-HH
3	56-6220	2	Bearing	15:4	3256-22	18	Washer-Flat
4	13-3790	1	Fan Shaft	15:5	3296-42	18	Nut-Lock, NI
5	107-1549	8	Hinge-Half	16	13-1390-03	1	Flap Retainer
6	120-5960-03	1	Flap-Blade, Lower	17	3272-11	4	Pin-Cotter
7	80-2570	4	Pin-Clevis	18	121-2844	1	Decal-Indicator, Rotation
8	3229-11	16	Screw-CARR	19	13-1420-01	1	Cover-Inspection
9	104-7201	26	Nut-HF	20	32103-12	4	Nut-Wing
10	108-0893-03	1	Mount-Guard, Fan	21	3256-22	4	Washer-Flat
11	325-7	4	Screw-HH	23	93-4020-01	1	Cover-Inspection
12	325-6	4	Screw-HH				

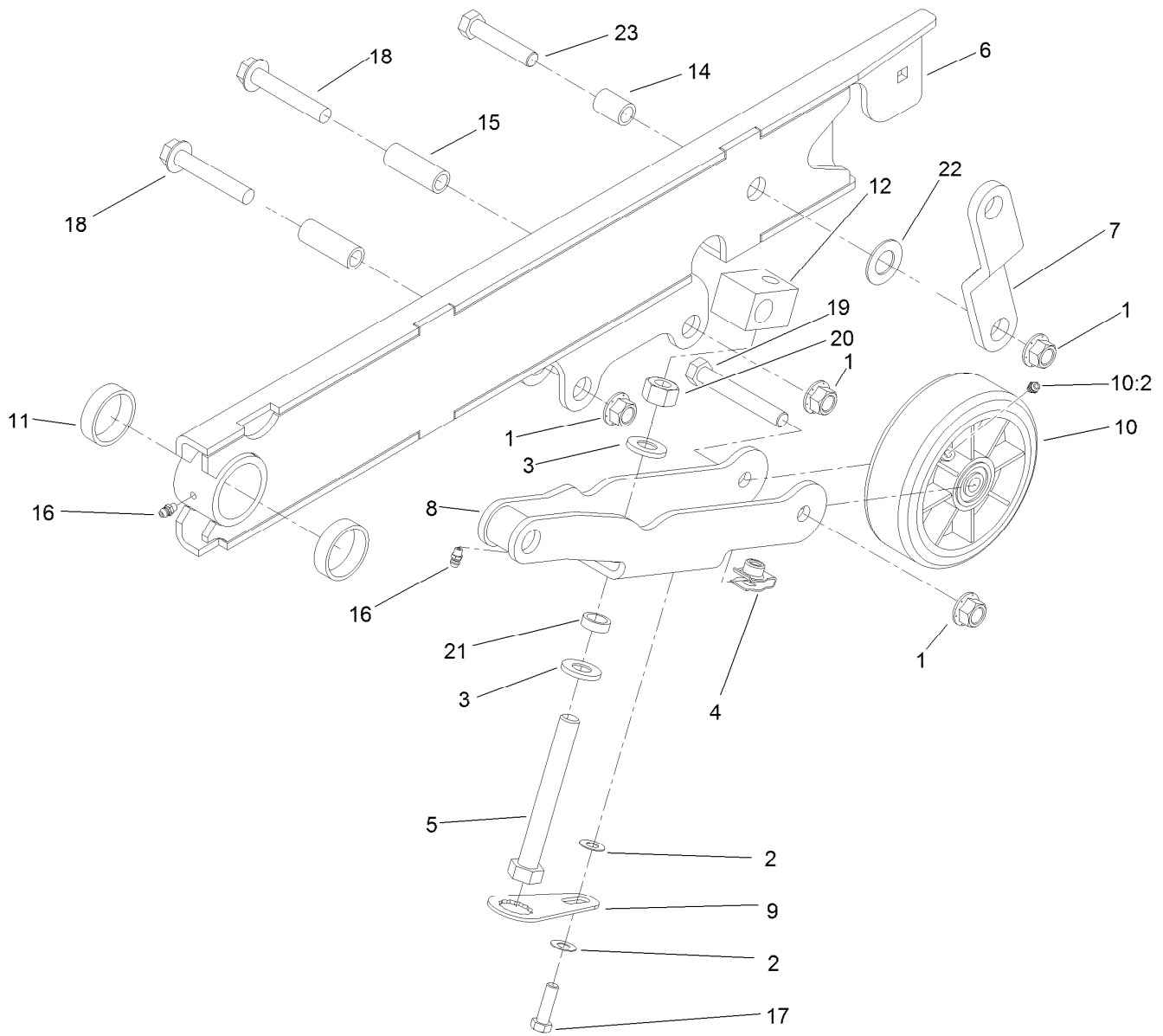
● Not serviced separately



Rake and Trailing Arm Assembly

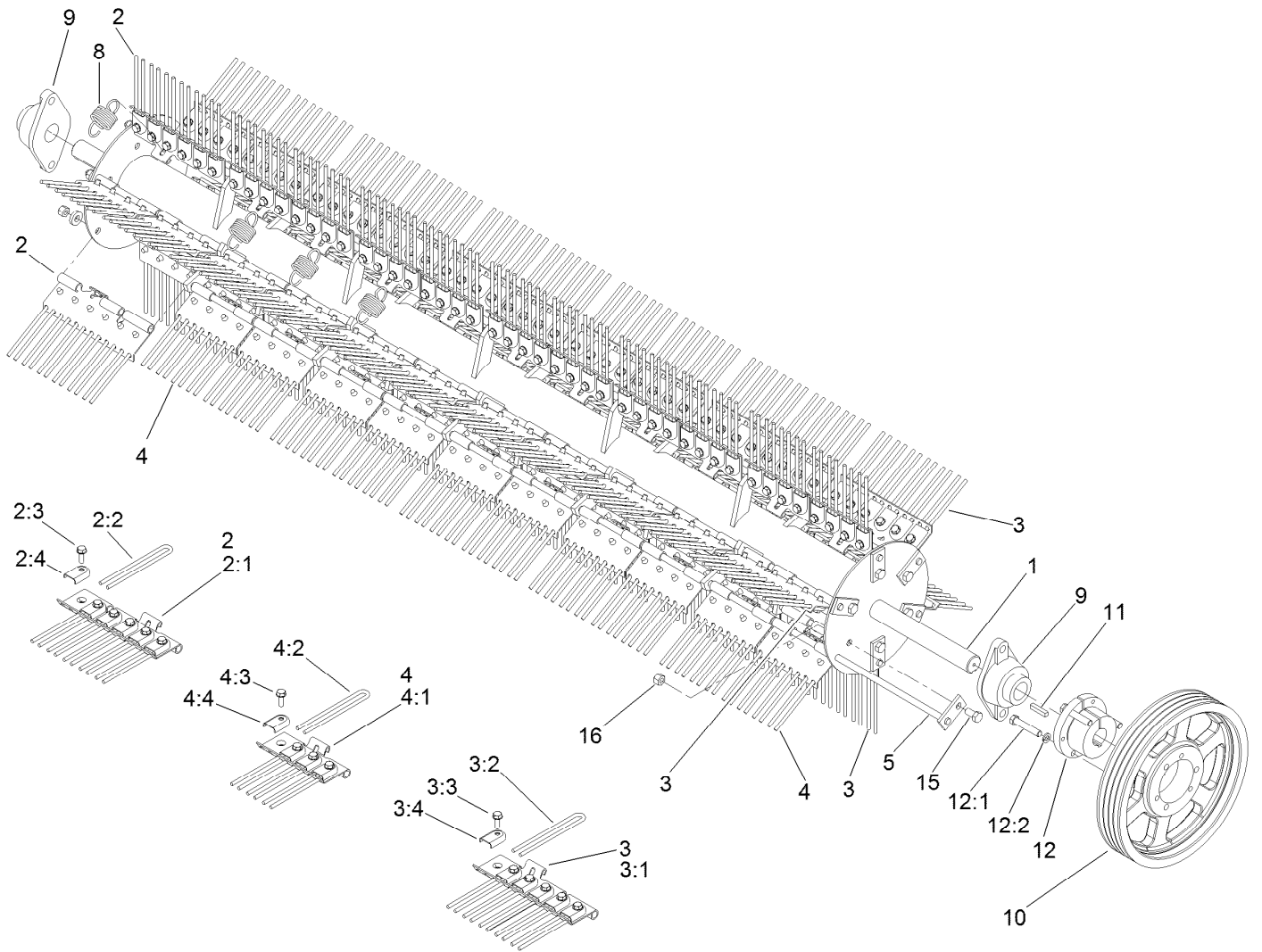
Ref.	Part Number	Qty.	Description	Ref.	Part Number	Qty.	Description
1	117-8470	1	LH Trailing Arm ASM	17	283-2	2	Pin-Clevis
3		1	Flex Tip Reel ASM ●	18	3272-10	3	Pin-Cotter
4	119-6200-03	1	Handle-Lift	19	95-8603	2	Spacer
5	119-2994	2	Crank-Lifting, Rake	24	302-5	4	Fitting-Grease
6	117-8490-03	1	Handle-Trip	26	3256-24	2	Washer-Flat
7	117-8503-03	1	Crank-Bell, Lifting LH	27	117-8506-03	1	Mount-Guard
8	105-3450	1	Grip-Lever, Lift	28	3232-3	2	Bolt-CARR
9	32121-15	2	Pin-Roll	29	114-8417	2	Nut-HF, NI
10	3233-2	1	Screw-CARR	30	13-0480	1	Spring
11	119-6188	1	Tube-Pivot	33	3231-29	2	Screw-CARR
12	99-5107	1	Nut-Lock	34	119-6217-03	1	Support-Arm, Trailing
13	13-0100	2	Pivot-Link, Rake Lift	35	3272-22	1	Pin-Cotter
14	104-8301	4	Nut-HF, NI	36	3256-28	1	Washer-Flat
15	1-633131	2	Yoke-Linkage, Brake	37	3219-3	2	Nut-Hex
16	27-7900	2	Screw-Adjusting				

● Not serviced separately



LH Trailing Arm Assembly No. 117-8470

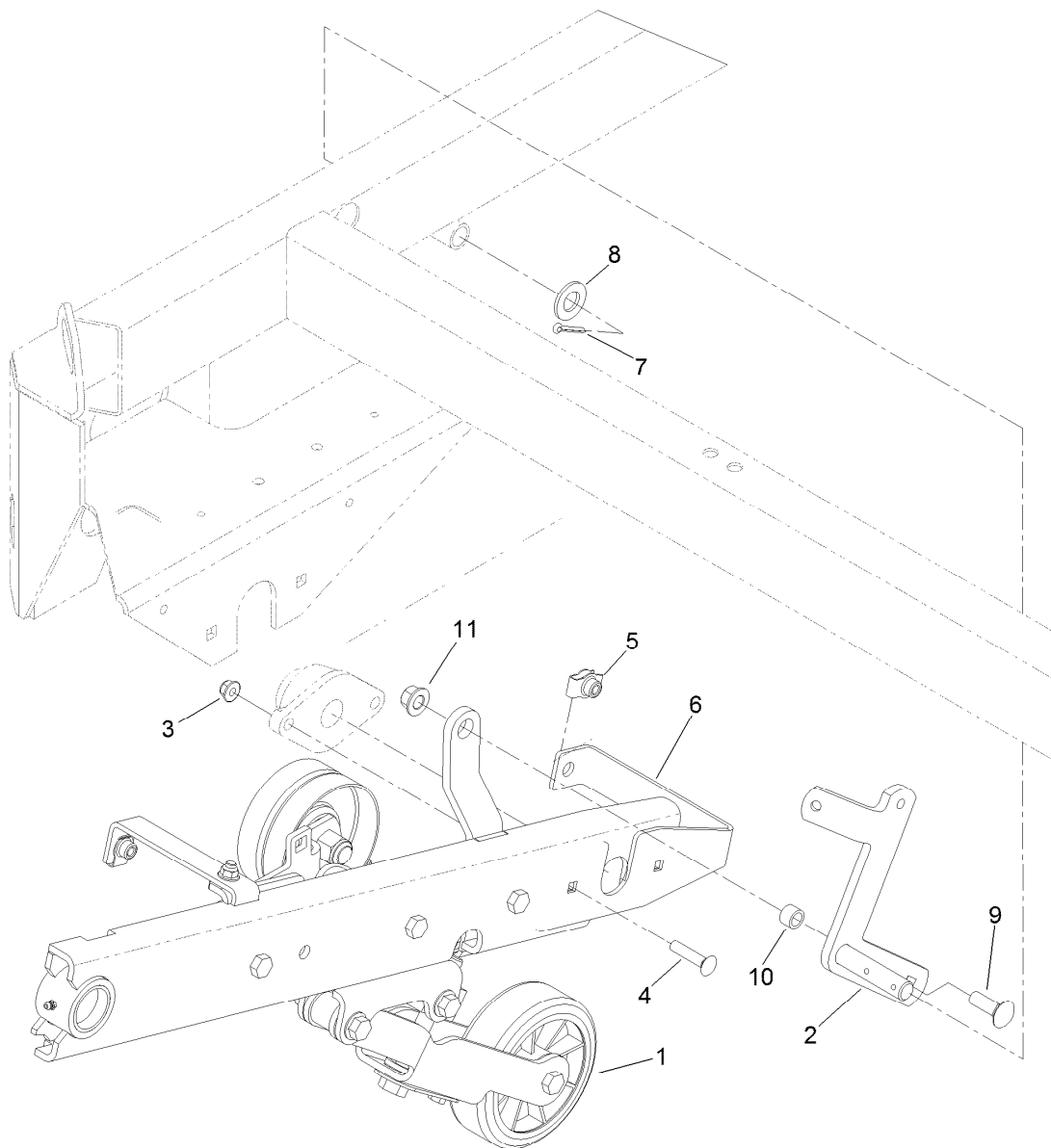
<i>Ref.</i>	<i>Part Number</i>	<i>Qty.</i>	<i>Description</i>	<i>Ref.</i>	<i>Part Number</i>	<i>Qty.</i>	<i>Description</i>
1	99-5107	4	Nut-Lock	12	119-6184	1	Block-Pivot
2	108-1438	2	Washer-Hardened	14	119-6191	1	Tube-Pivot
3	99-7667	2	Washer-Flat	15	119-6192	2	Tube-Pivot
4	105-4886	1	Nut-Tinnerman	16	302-5	2	Fitting-Grease
5	112-4874	1	Screw-HH, TAP	17	323-6	1	Screw-HH
6	120-5905-03	1	Arm-Trailing	18	3234-40	2	Screw-HF
7	117-8465-03	1	Link-Lift	19	325-14	1	Screw-HH
8	119-6301-03	1	Arm-Gauge, Wheel	20	3217-11	1	Nut-Hex
9	117-8484	1	Tab-Locking	21	119-6253	1	Spacer-Limiter
10	117-8544	1	Wheel-Caster	22	69-8930	1	Washer
10:2	302-5	1	Fitting-Grease	23	325-10	1	Screw-HH
11	119-2985	2	Bushing				



Rake Assembly

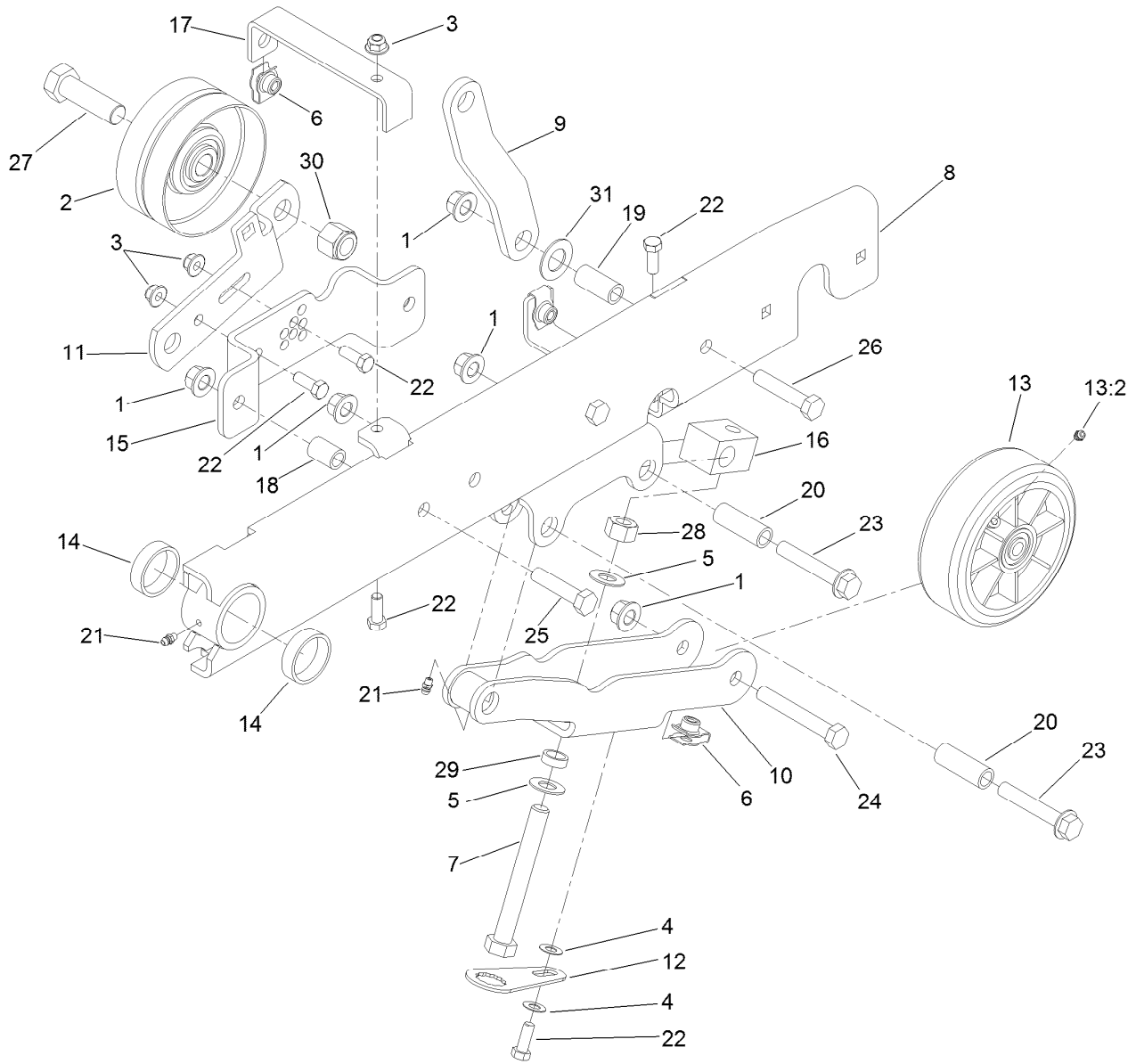
Ref.	Part Number	Qty.	Description	Ref.	Part Number	Qty.	Description
1	93-0197-01	1	Reel ASM	4:2	115-9022	4	Finger-Plastic
2		3	Left Plate ASM ●	4:3	32140-94	4	Screw-HH, Sems
2:1	115-9028	1	End Plate ASM	4:4	115-9023	4	Clamp-Finger
2:2	115-9022	6	Finger-Plastic	5	13-4960	6	Shaft-Plate, Finger
2:3	32140-94	6	Screw-HH, Sems	8	13-3090	66	Spring-Finger
2:4	115-9023	6	Clamp-Finger	9	56-6230	2	Bearing-Roller
3		3	Right Plate ASM ●	10	93-4001	1	Pulley-4 Groove
3:1	115-9026	1	End Plate ASM	11	13-2840	1	Key-Square
3:2	115-9022	6	Finger-Plastic	12	13-2680	1	Bushing
3:3	32140-94	6	Screw-HH, Sems	12:1	120-6000	3	Bolt-TAP, HH
3:4	115-9023	6	Clamp-Finger	12:2	3253-4	3	Washer-Lock
4		60	Center Plate ASM ●	15	323-4	6	Screw-HH
4:1	115-9024	1	Plate-Center	16	32152-2	12	Nut-Lock, Cone

● Not serviced separately



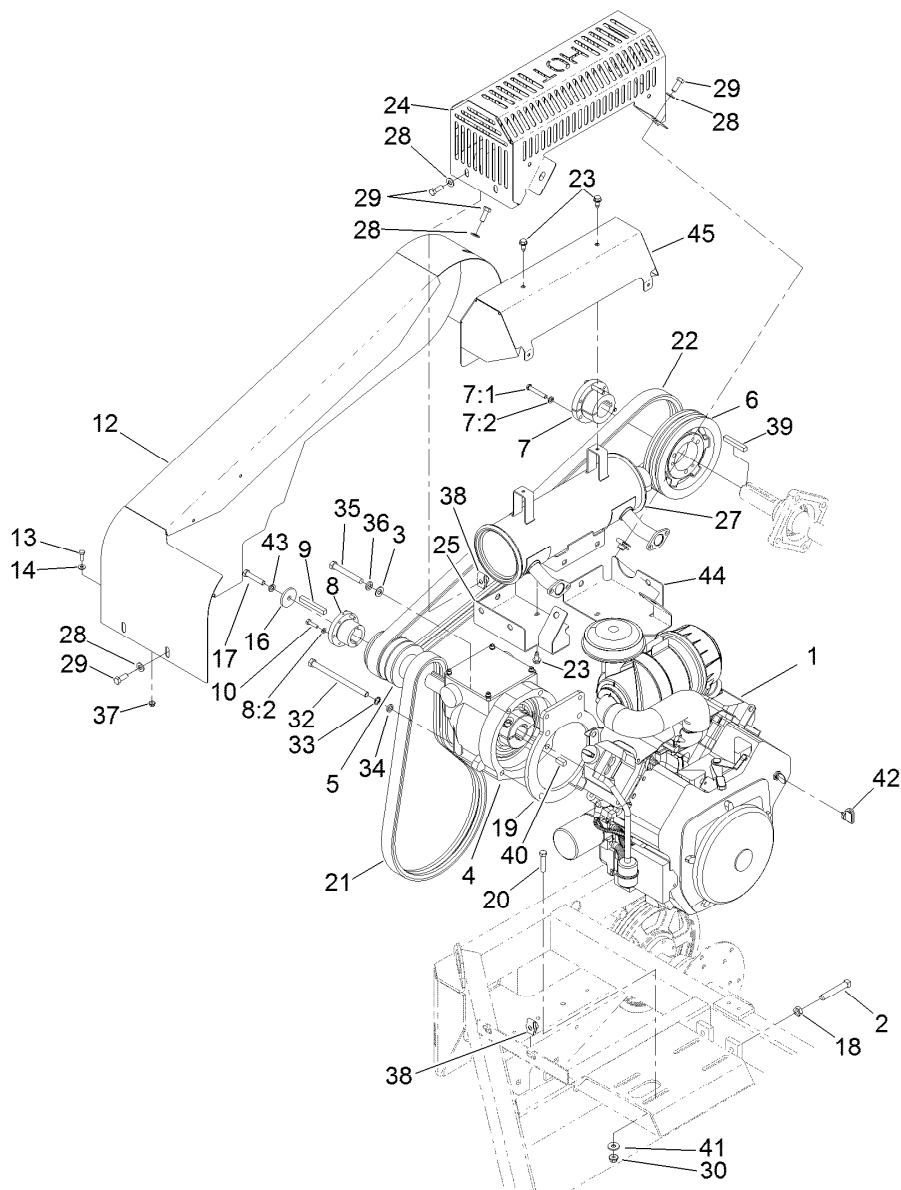
Right Hand Trailing Arm Assembly

<i>Ref.</i>	<i>Part Number</i>	<i>Qty.</i>	<i>Description</i>
1	117-8460	1	RH Trailing Arm ASM
2	117-8504-03	1	Crank-Bell, Lifting RH
3	104-8301	2	Nut-HF, NI
4	3231-29	2	Screw-CARR
5	105-4886	1	Nut-Tinnerman
6	121-2771-03	1	Brace-Cover, Belt
7	3272-22	1	Pin-Cotter
8	3256-28	1	Washer-Flat
9	3233-2	1	Screw-CARR
10	119-6188	1	Tube-Pivot
11	99-5107	1	Nut-Lock



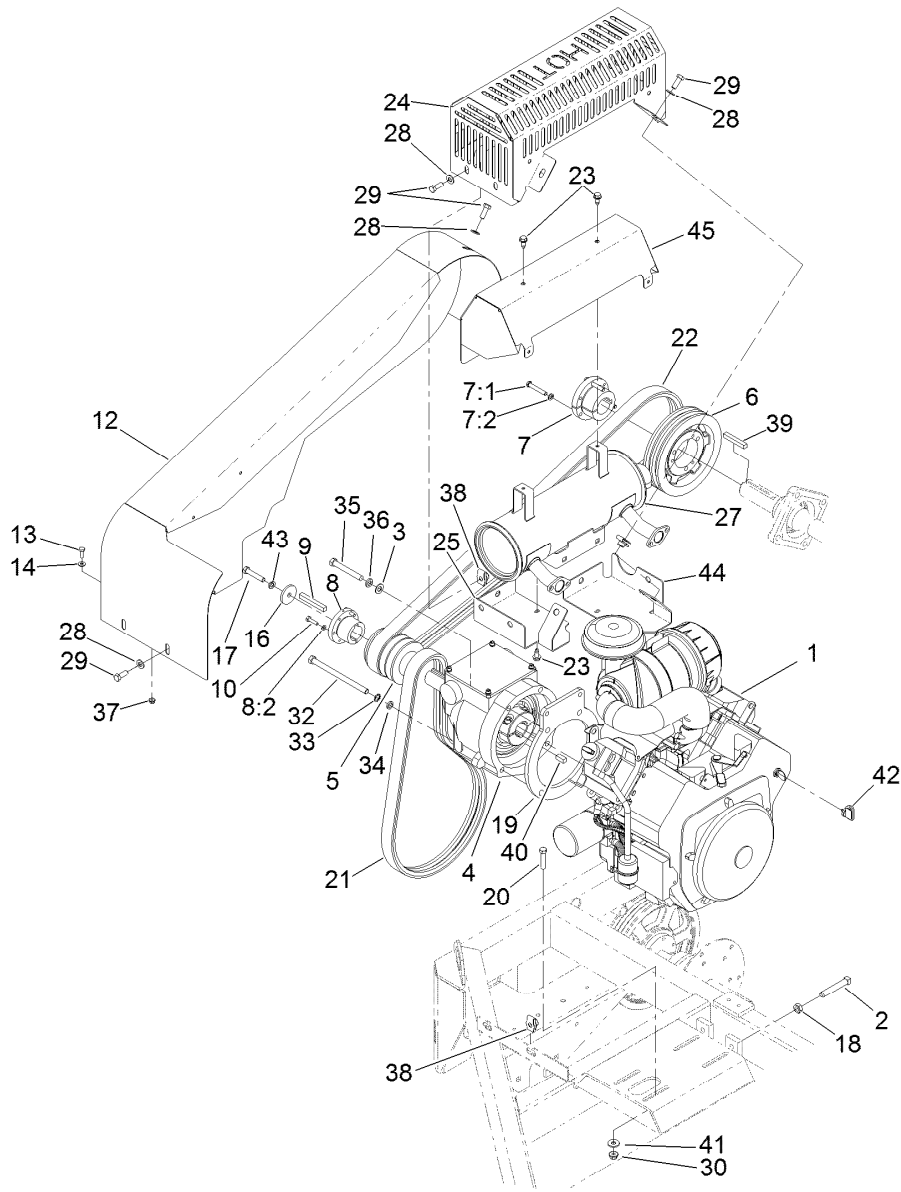
RH Trailing Arm Assembly No. 117-8460

Ref.	Part Number	Qty.	Description	Ref.	Part Number	Qty.	Description
1	99-5107	6	Nut-Lock	16	119-6184	1	Block-Pivot
2	100-7631	1	Pulley-Idler	17	121-2772-03	2	Support-Cover, Belt
3	104-8301	4	Nut-HF, NI	18	119-6189	2	Tube-Pivot
4	108-1438	2	Washer-Hardened	19	119-6191	1	Tube-Pivot
5	99-7667	2	Washer-Flat	20	119-6192	2	Tube-Pivot
6	105-4886	3	Nut-Tinnerman	21	302-5	2	Fitting-Grease
7	112-4874	1	Screw-HH, TAP	22	323-6	5	Screw-HH
8	117-8461-03	1	Arm-Trailing	23	3234-40	2	Screw-HF
9	117-8465-03	1	Link-Lift	24	325-14	1	Screw-HH
10	119-6301-03	1	Arm-Gauge, Wheel	25	325-9	2	Screw-HH
11	117-8469-03	1	Bracket-Pulley	26	325-10	1	Screw-HH
12	117-8484	1	Tab-Locking	27	328-2	1	Screw-HH
13	117-8544	1	Wheel-Caster	28	3217-11	1	Nut-Hex
13:2	302-5	1	Fitting-Grease	29	119-6253	1	Spacer-Limiter
14	119-2985	2	Bushing	30	3296-51	1	Nut-Lock, NI
15	119-2992-03	1	Bracket-Adjust, Tension	31	69-8930	1	Washer



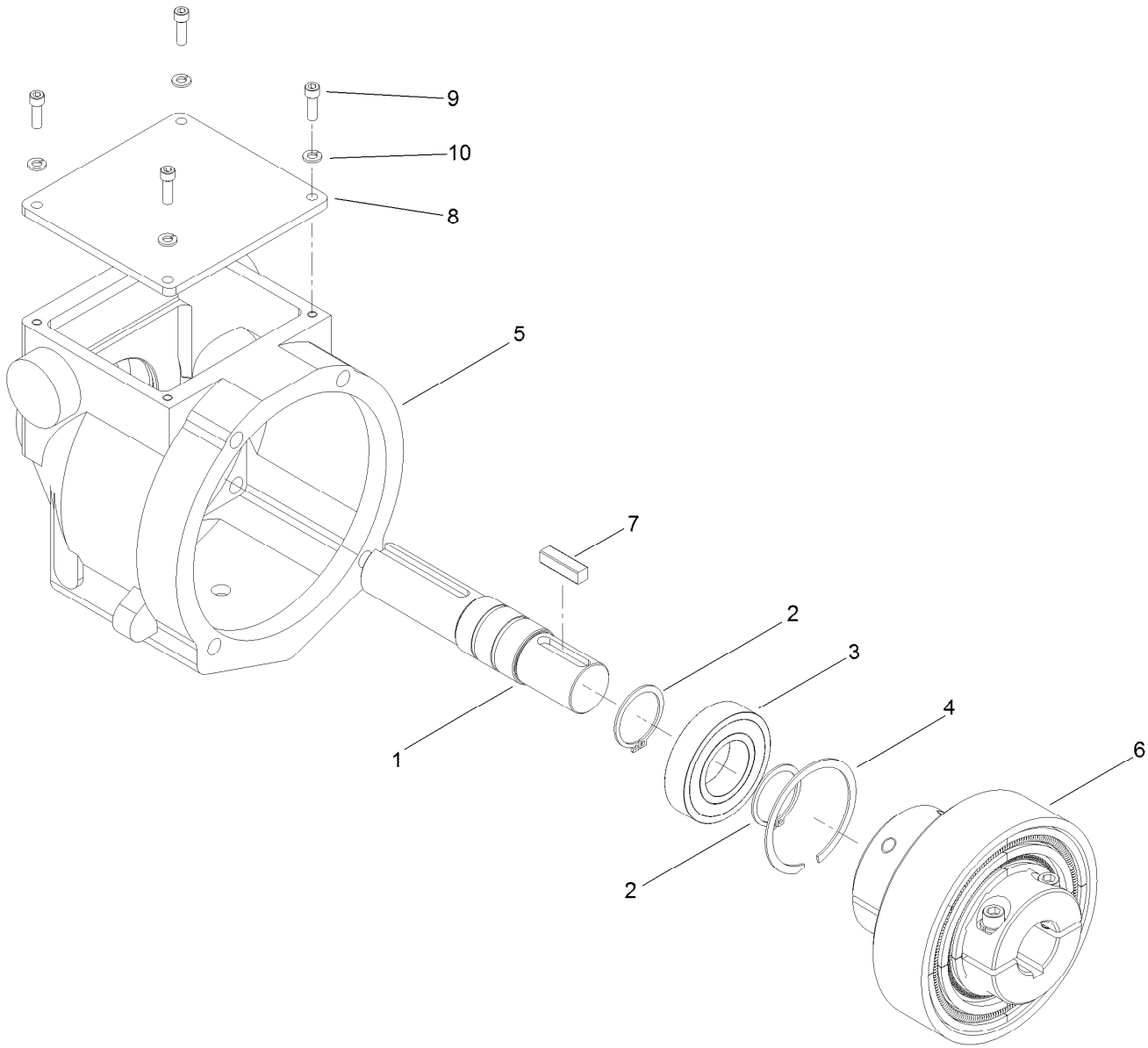
Engine, Clutch and Muffler Assembly

Ref.	Part Number	Qty.	Description	Ref.	Part Number	Qty.	Description
1	133-5930	1	Engine-Kohler, Ch682-3011	21	13-2650	1	Belt-V
2	3244-21	2	Screw-SQH	22	93-0183	1	Belt-V, Impeller
3	3256-25	2	Washer-Flat	23	32104-32	6	Screw-HWH
4	107-1050	1	Clutch-Centrifugal	24	121-2850-03	1	Shield-Muffler
5	13-3320	1	Sheave	25	121-2851-03	1	Shield-Heat, Front Bottom
6	13-2800	1	Sheave	27	120-5956	1	Muffler ASM
7	13-2970	1	Bushing	28	3256-24	10	Washer-Flat
7:1	120-6000	3	Bolt-TAP, HH	29	323-6	10	Screw-HH
7:2	3253-4	3	Washer-Lock	30	104-8301	4	Nut-HF, NI
8	13-3330	1	Bushing	32	324-31	2	Screw-HH
8:2	3253-3	3	Washer-Lock	33	3255-16	2	Washer-Lock/EXT
9	3-9155	1	Key-Square	34	37-4700	2	Spacer-Wheel
10	321-6	3	Screw-HH	35	324-13	2	Screw-HH
12	117-8510-03	1	Guard-Belt	36	3253-6	2	Washer-Lock
13	321-4	2	Screw-HH	37	104-7201	2	Nut-HF
14	3256-22	2	Washer-Flat	38	105-4886	9	Nut-Tinnerman
16	4-1920	1	Washer	39	13-2240	1	Key-Square
17	323-10	1	Screw-HH	40	105-7864	1	Key-Square
18	3218-5	2	Nut-Jam	41	80-6990	4	Washer-Hardened
19	119-6137-03	1	Plate-Adapter	42	63-8360	1	Key-Ignition
20	323-9	4	Screw-HH	43	3253-21	1	Washer-Lock



Engine, Clutch and Muffler Assembly (continued)

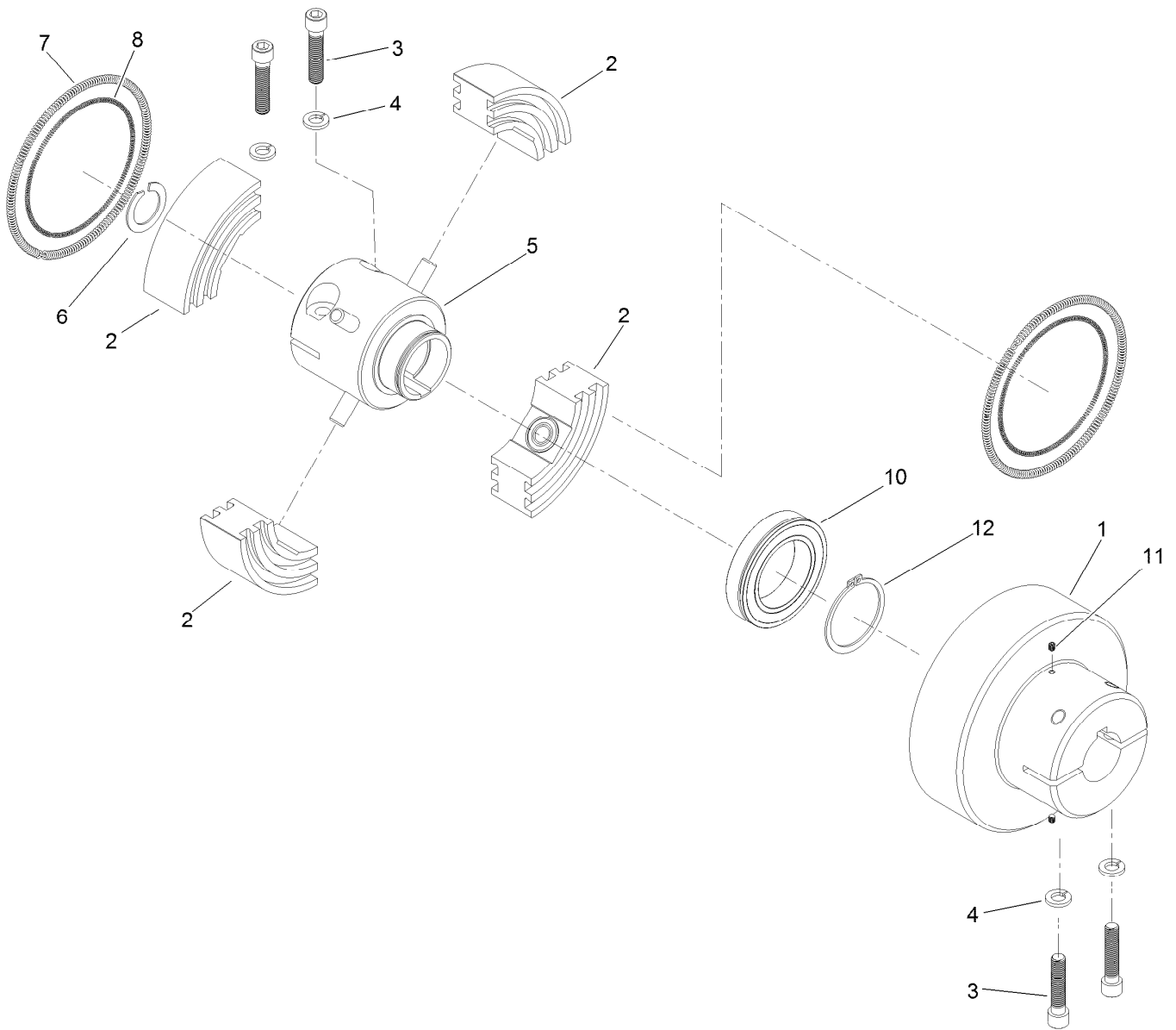
<i>Ref.</i>	<i>Part Number</i>	<i>Qty.</i>	<i>Description</i>
44	121-2848-03	1	Shield-Heat, Back Bottom
45	121-2865-03	1	Shield-Heat, Inner



Centrifugal Clutch Assembly No. 107-1050

<i>Ref.</i>	<i>Part Number</i>	<i>Qty.</i>	<i>Description</i>
1	107-1052	1	Shaft
2	107-1053	2	Ring-Retaining
3	107-1054	1	Bearing
4	107-1055	1	Ring-Retaining
5		1	Housing ●
6	107-1070	1	Centrifugal Clutch ASM
7	107-1057	1	Key
8	107-1058	1	Cover
9	3274-8	4	Screw-HSH
10	3253-3	4	Washer-Lock

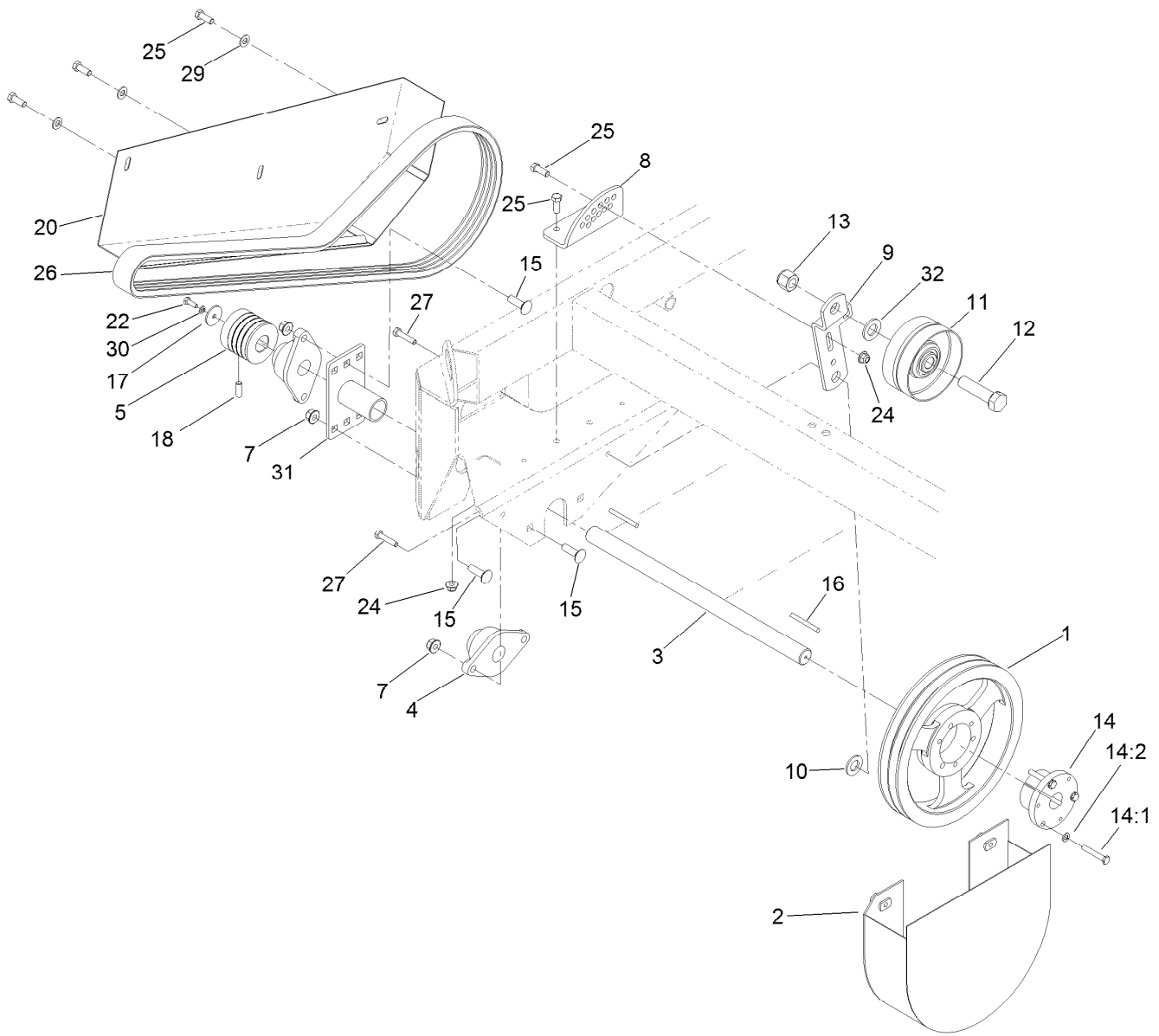
● Not serviced separately



Clutch Assembly No. 107-1070

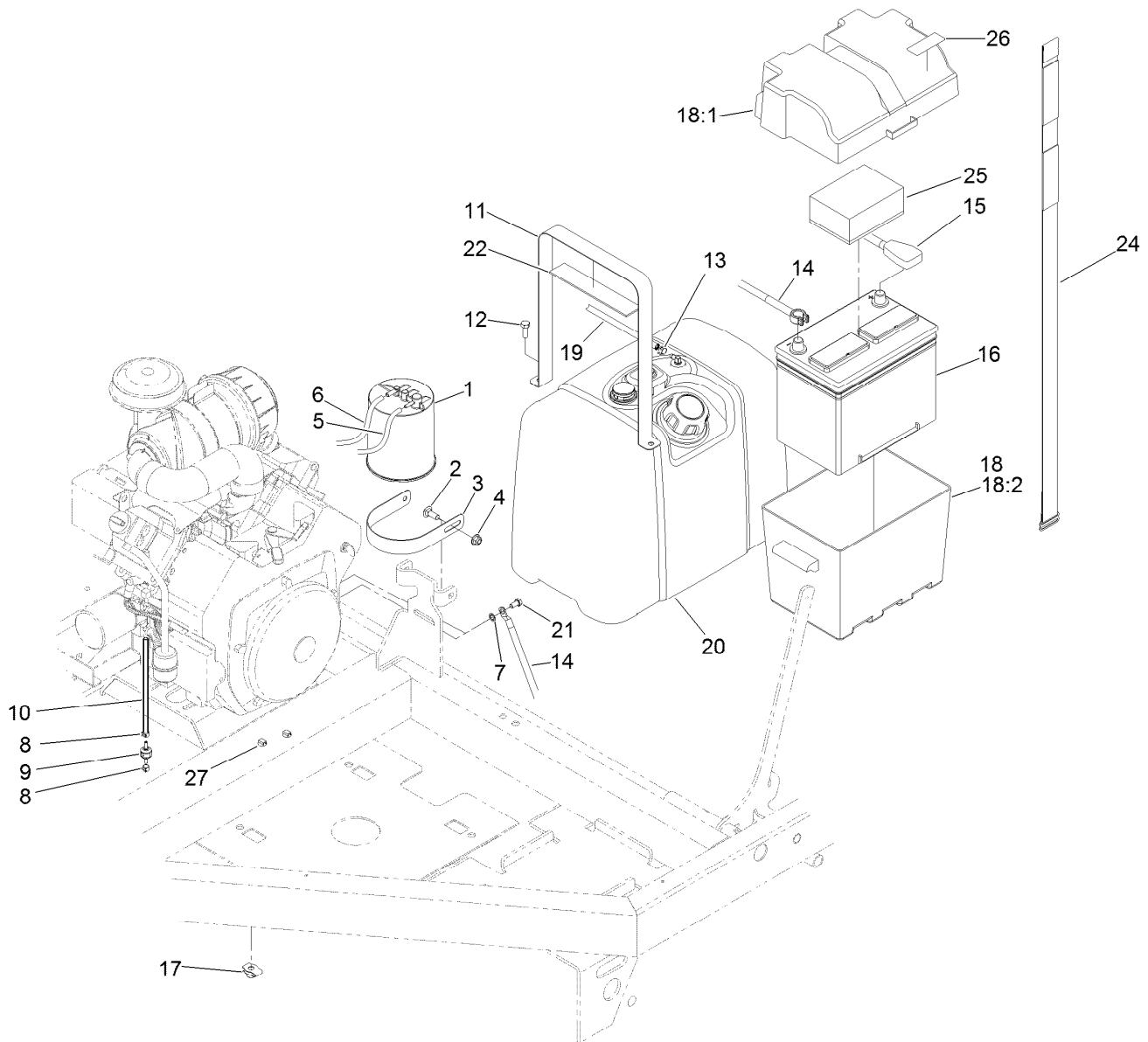
Ref.	Part Number	Qty.	Description
1		1	Housing-Clutch ●
2	107-1072	4	Shoe ASM
3	3274-3	4	Screw-HSH
4	3253-21	4	Washer-Lock
5	107-1081	1	Hub ASM
6	107-1074	1	Ring-Retaining
7	107-1075	2	Spring
8	107-1076	2	Spring
10	107-1078	1	Bearing
11	107-1079	2	Point-Cone
12	107-1080	1	Ring-Retaining

● Not serviced separately



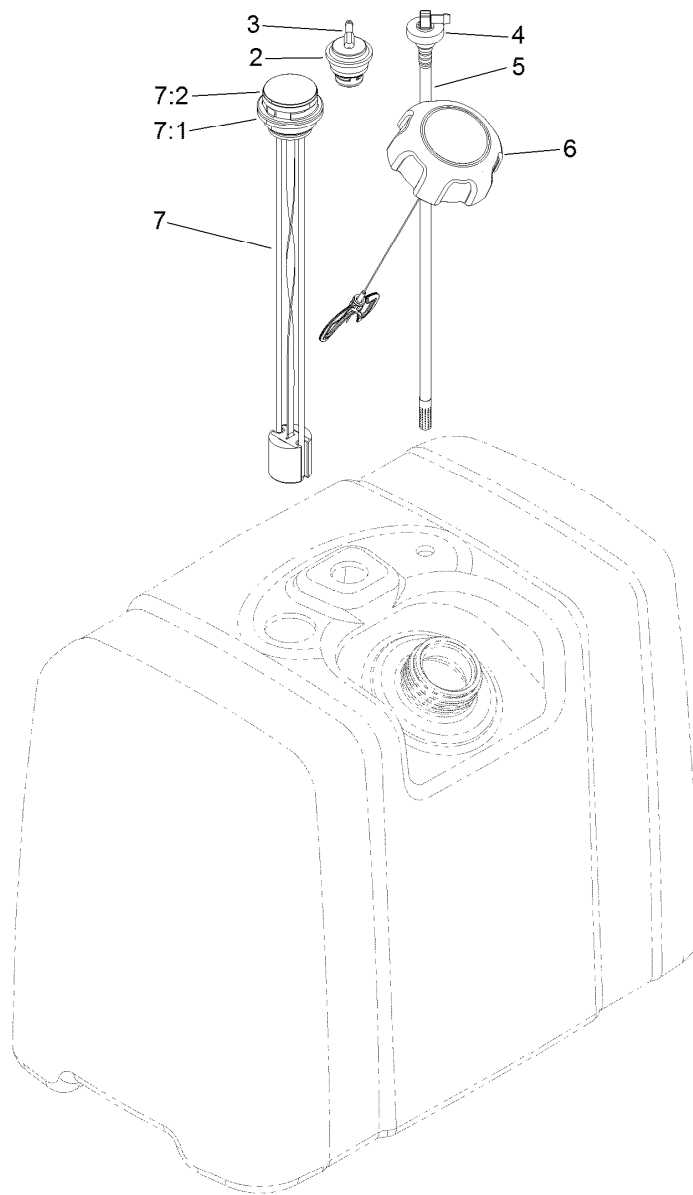
Guard Assembly

<i>Ref.</i>	<i>Part Number</i>	<i>Qty.</i>	<i>Description</i>	<i>Ref.</i>	<i>Part Number</i>	<i>Qty.</i>	<i>Description</i>
1	13-2670	1	Sheave	15	3232-3	6	Bolt-CARR
2	120-5914-03	1	Guard-Sheave	16	68-3220	2	Key-Stock
3	93-4032	1	Shaft-Jack	17	13-3710	1	Washer
4	56-6230	2	Bearing-Roller	18	3247-6	2	Screw-Set
5	93-4033-01	1	Pulley-Driver	20	121-2780-03	1	Guard-Lower, Belt
7	114-8417	6	Nut-HF, NI	22	321-4	1	Screw-HH
8	117-8538-03	1	Bracket-Idler Arm	24	104-8301	3	Nut-HF, NI
9	117-8469-03	1	Bracket-Pulley	25	323-6	6	Screw-HH
10	3-8448	1	Washer-Thrust	26	93-4034	1	V-Belt
11	100-7631	1	Pulley-Idler	27	322-7	2	Screw-HH
12	328-25	1	Screw-HH	29	3256-24	3	Washer-Flat
13	3296-51	1	Nut-Lock, NI	30	3253-3	1	Washer-Lock
14	13-2680	1	Bushing	31	117-8506-03	1	Mount-Guard
14:1	120-6000	3	Bolt-TAP, HH	32	3256-28	3	Washer-Flat
14:2	3253-4	3	Washer-Lock				



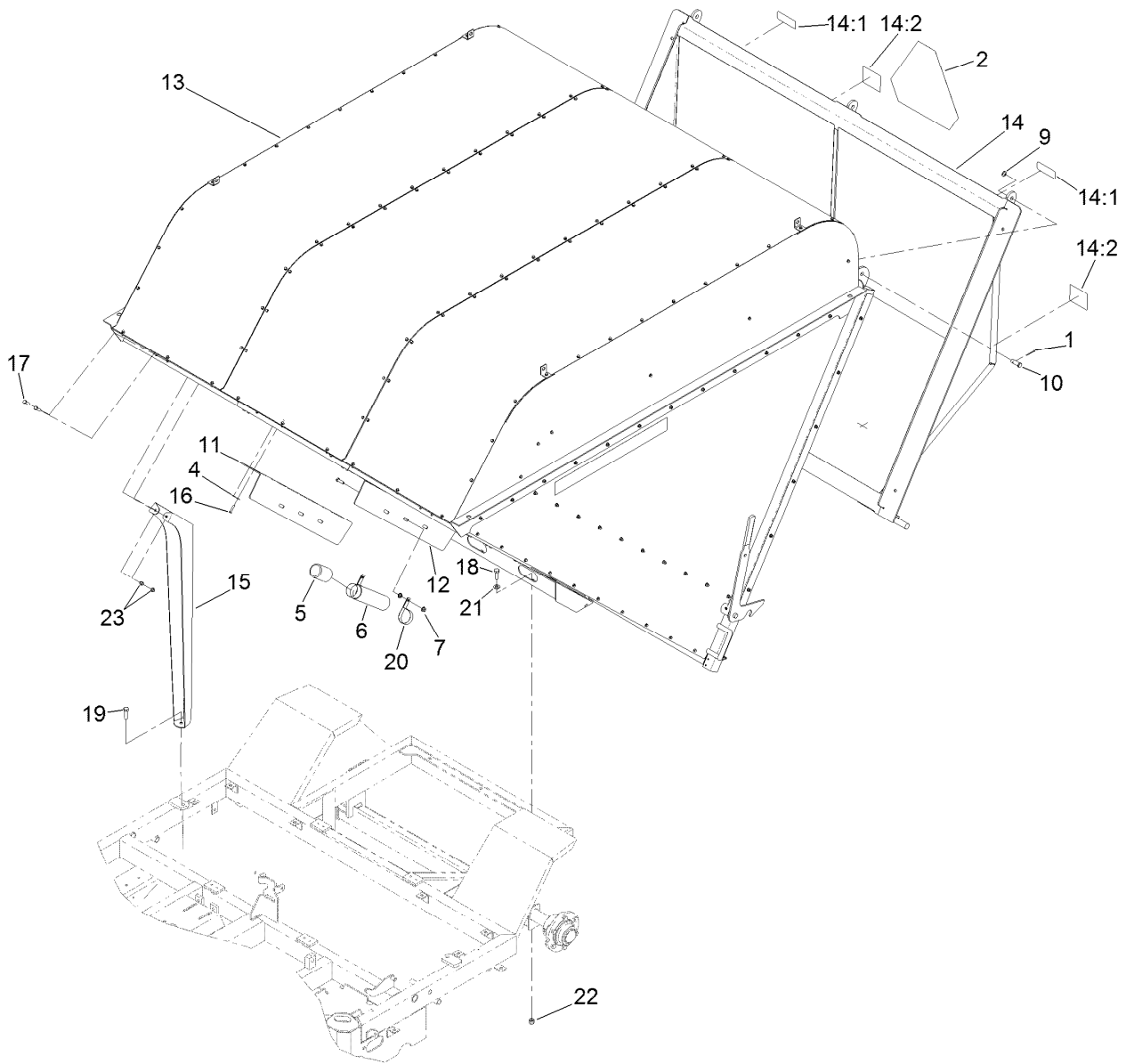
Battery and Fuel System Assembly

<i>Ref.</i>	<i>Part Number</i>	<i>Qty.</i>	<i>Description</i>	<i>Ref.</i>	<i>Part Number</i>	<i>Qty.</i>	<i>Description</i>
1	132-5865	1	Canister-Carbon	15	112-6808	1	Cable-Battery, Positive
2	3231-2	2	Bolt-CARR	16	106-5190	1	Battery
3	117-8399	1	Strap-Mounting	17	105-4886	4	Nut-Tinnerman
4	104-8301	2	Nut-HF, NI	18	93-7595	1	Battery Box ASM
5	110-3254	1	Hose-Fuel	18:1	105-2914	1	Top-Battery Box
6	68-3630	1	Hose-Fuel	18:2	105-2915	1	Bottom-Battery Box
7	3254-2	1	Washer-Lock, Internal	19	109-1395	1	Hose-Fuel
8	2412-80	2	Clamp-Hose	20	115-9047	1	Fuel Tank ASM
9	133-8499	1	Valve-Check, Vacuum	21	33114-016	1	Screw-HH
10	115-7871	1	Hose-Fuel	22	104-7102	2	Pad-Battery
11	119-2965	2	Strap-Tank	24	94-1445	1	Strap-Battery
12	323-6	4	Screw-HH	25	93-7968	1	Pad-Foam
13	2412-98	2	Clamp-Hose	26	119-6807	1	Decal-Warning
14	120-5908	1	Cable-Battery, Negative	27	32180-030	4	Clip-Tie



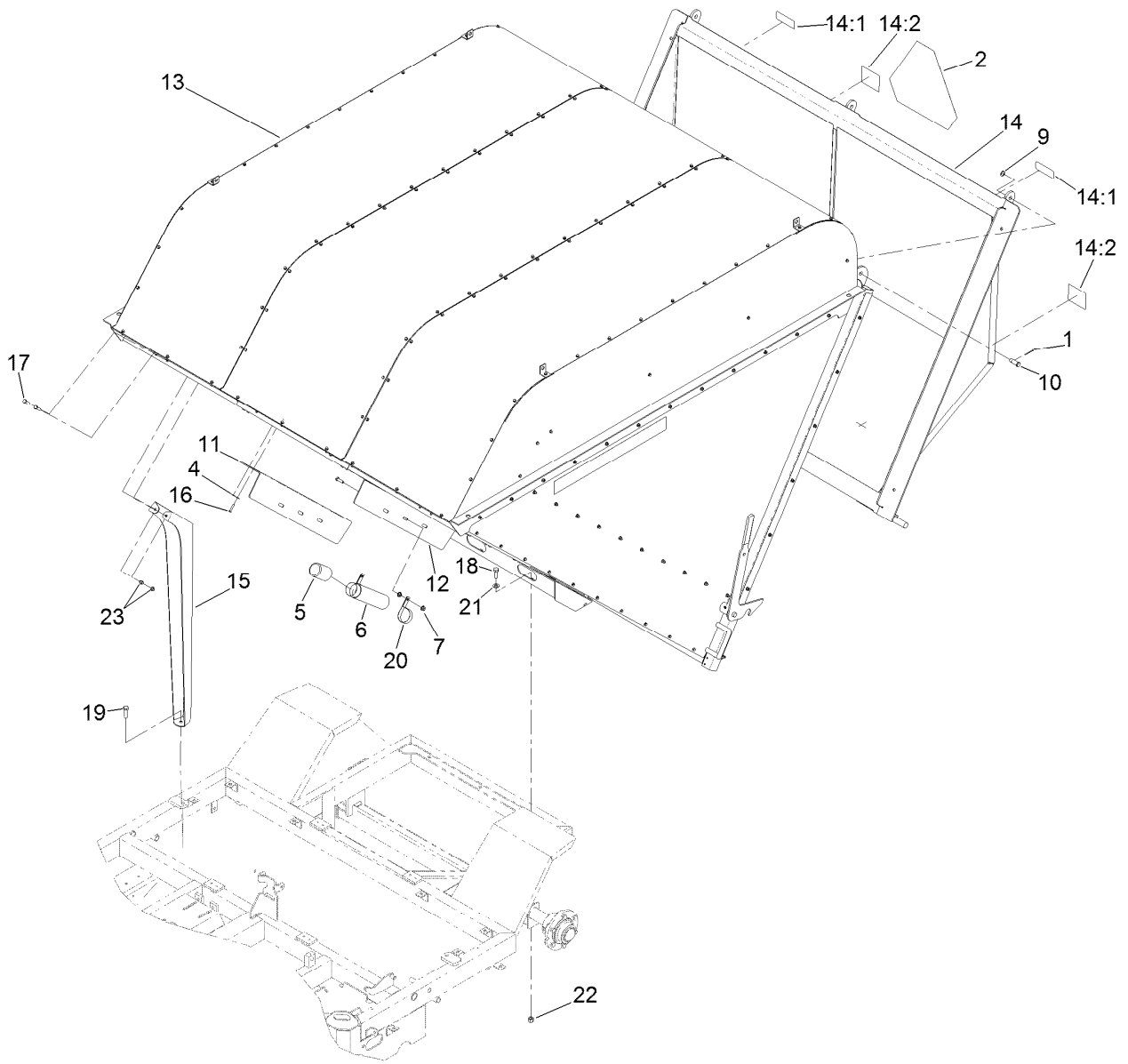
Fuel Tank Assembly No. 115-9047

<i>Ref.</i>	<i>Part Number</i>	<i>Qty.</i>	<i>Description</i>
2	114-0284	1	Grommet
3	114-0285	1	Valve-Rollover
4	46-6560	1	Bushing
5	115-9046	1	Stand Pipe
6	137-4127	1	Cap-Fuel
7	119-0507	1	Gauge-Fuel
7:1	119-0508	1	Seal
7:2	117-8404	1	Dial-Gauge



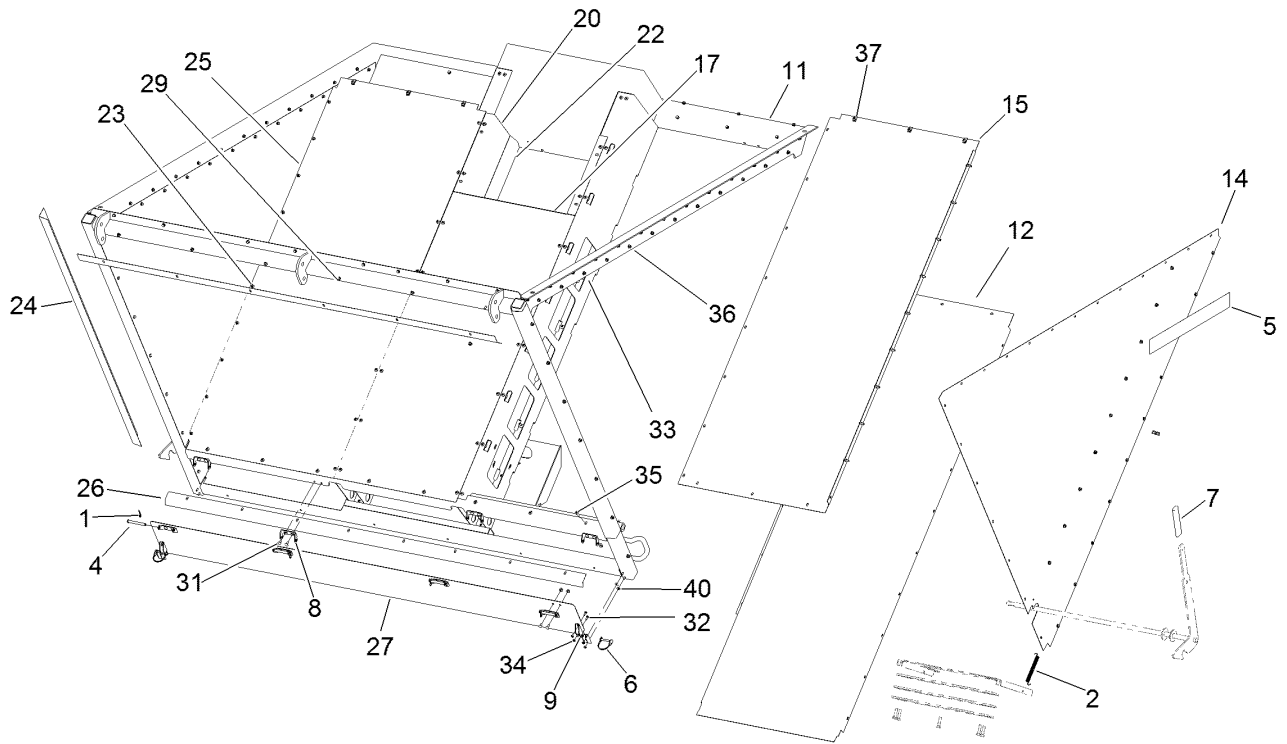
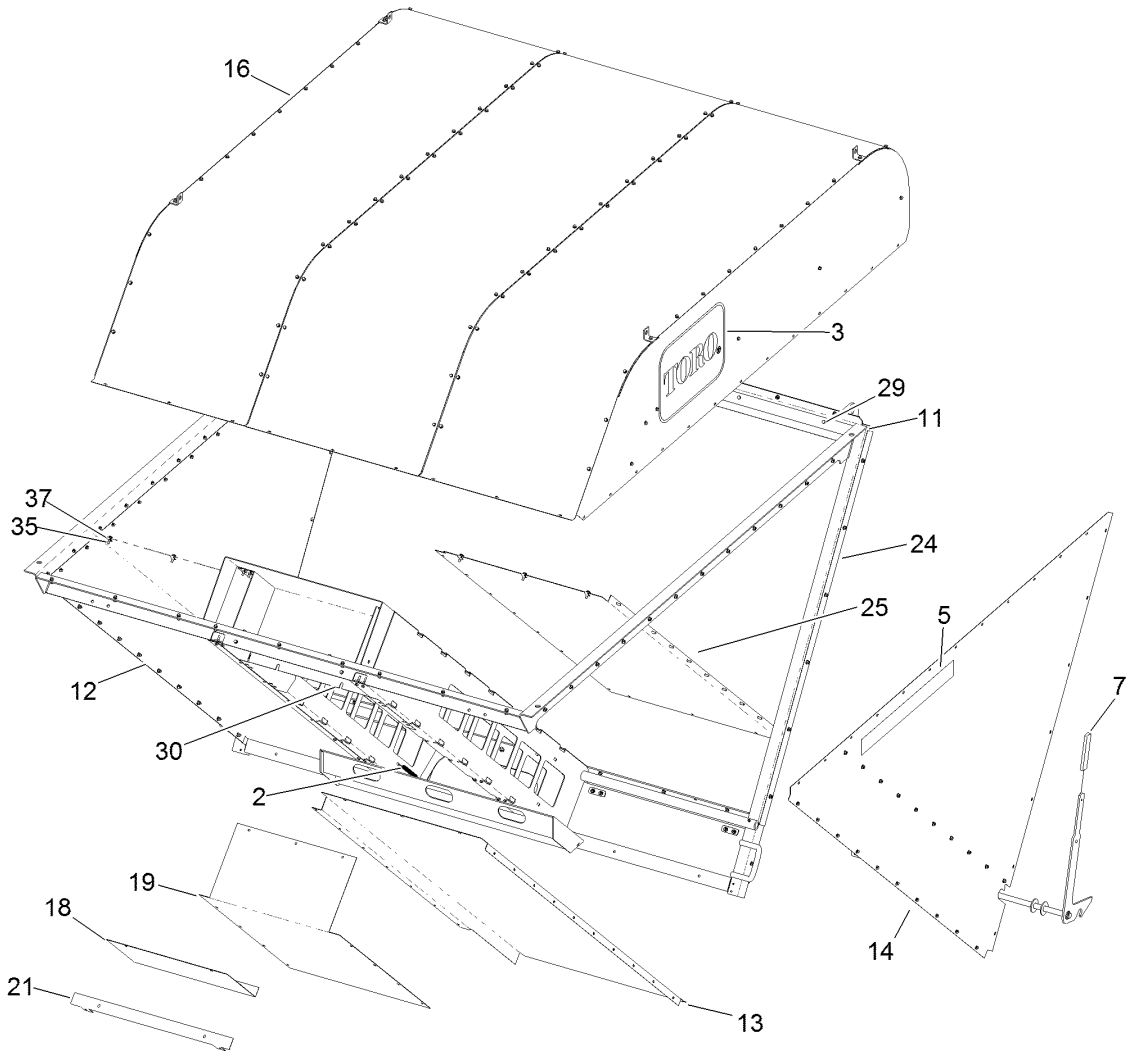
Hopper and Hood Assembly

<i>Ref.</i>	<i>Part Number</i>	<i>Qty.</i>	<i>Description</i>	<i>Ref.</i>	<i>Part Number</i>	<i>Qty.</i>	<i>Description</i>
1	1-806800	3	Pin-Cotter	14:1	121-2840	2	Decal-Caution
2	120-0250	1	Decal-Warning	14:2	121-2841	2	Decal-Warning
4	100-2400	16	Washer	15	121-2654-01	2	Support-Hopper
5	104-7048	1	Cap-Housing	16	321-8	16	Screw-HH
6	104-7050	1	Tube-Manual	17	323-7	10	Screw-HH
7	104-8301	8	Nut-HF, NI	18	325-6	3	Screw-HH
9	107-3041	3	Washer-Flat	19	325-7	2	Screw-HH
10	119-6242	3	Pin-Hinge	20	2412-133	2	Clamp-R
11	120-6141-01	1	Bracket-Blower, RH	21	3256-26	3	Washer-Flat
12	120-6142-01	1	Bracket-Blower, LH	22	3296-23	5	Nut-Lock, NI
13	120-6170	1	Hopper ASM	23	104-8301	4	Nut-HF, NI
14	120-6175	1	Door-Hopper				



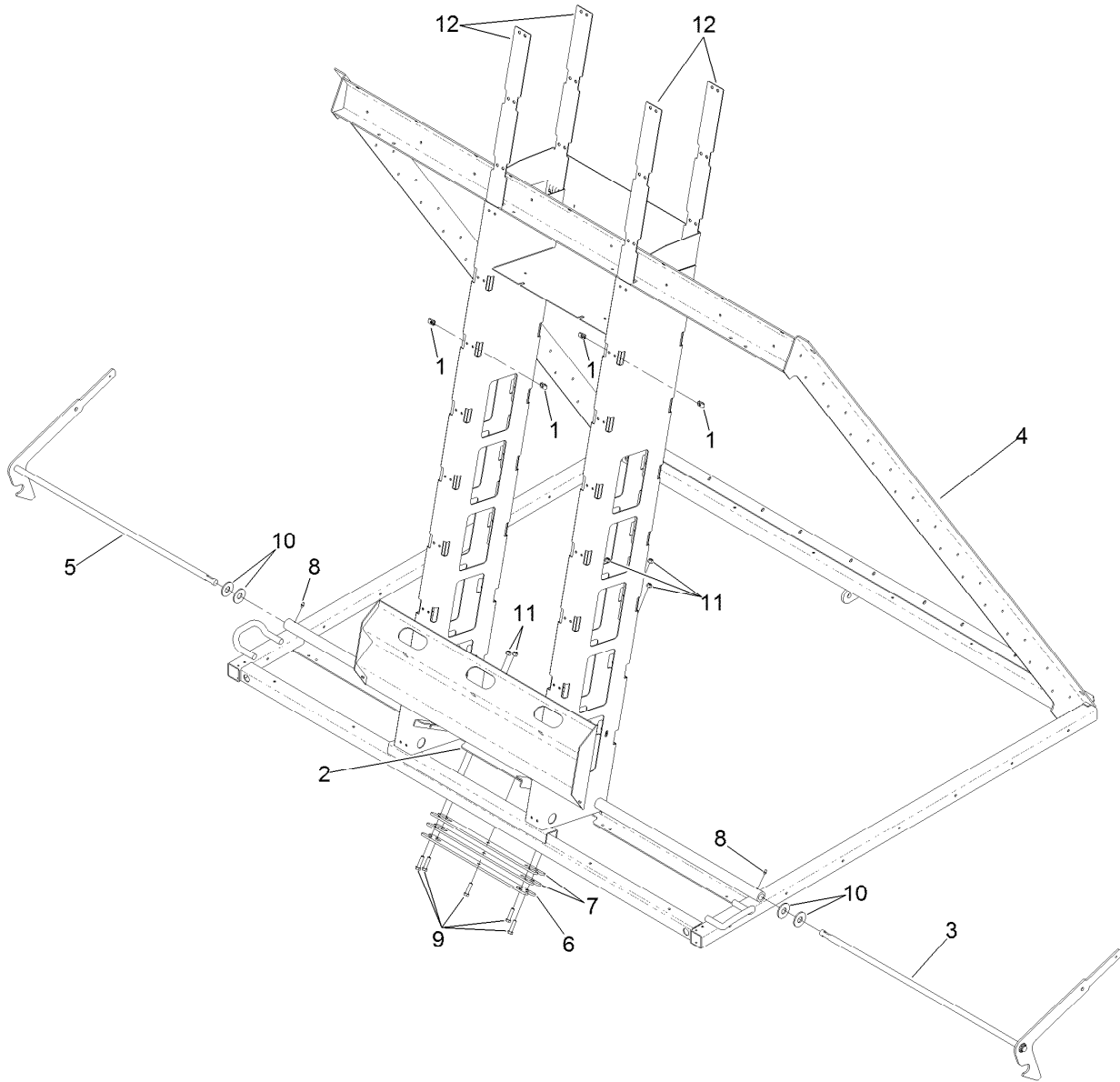
Hopper and Hood Assembly (continued)

Hopper Assembly 120-6170



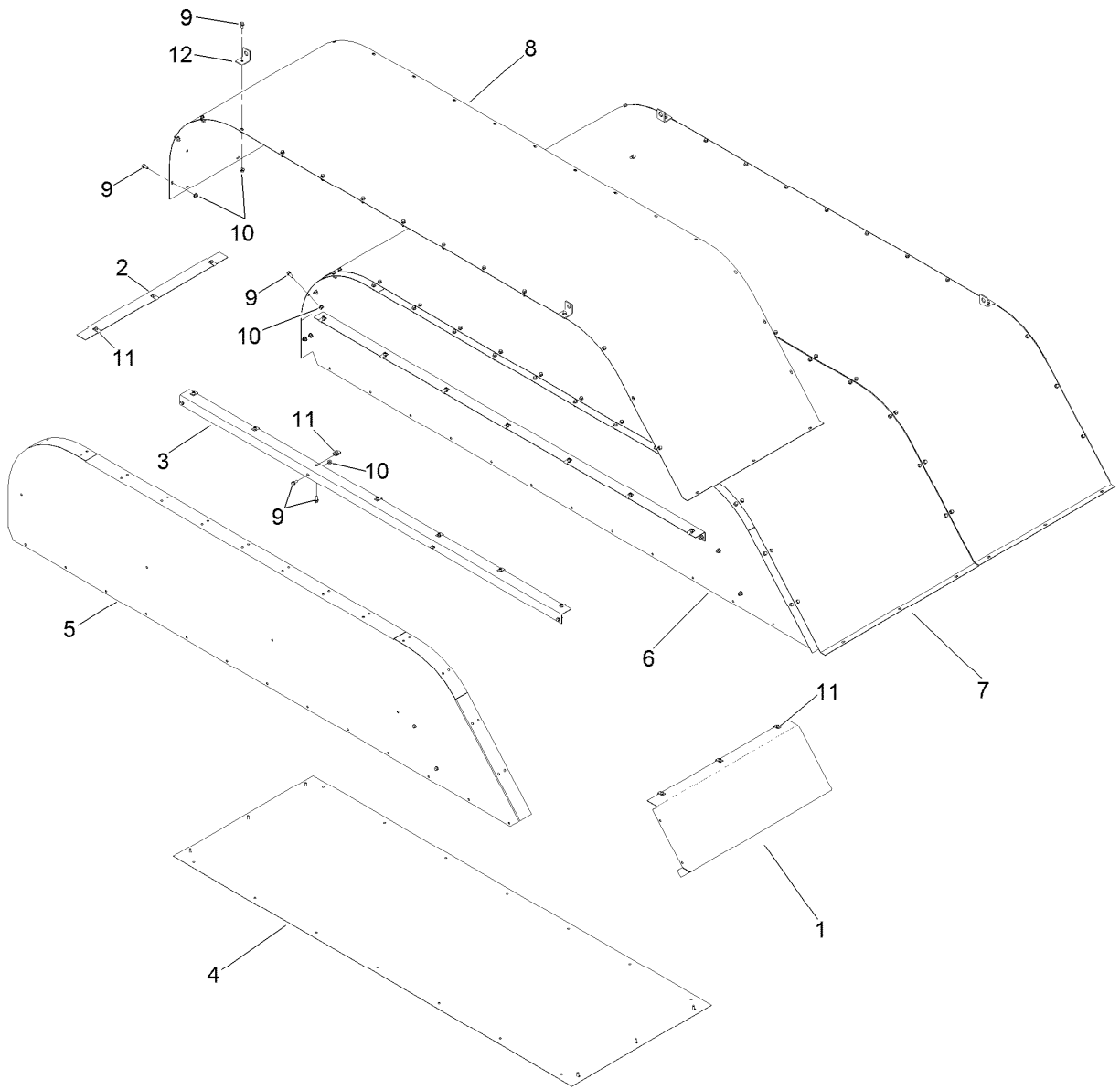
Hopper Assembly 120-6170 (continued)

<i>Ref.</i>	<i>Part Number</i>	<i>Qty.</i>	<i>Description</i>	<i>Ref.</i>	<i>Part Number</i>	<i>Qty.</i>	<i>Description</i>
1	9335044	4	Pin-Hair	20	120-6164-01	2	Panel-Closeoff
2	12-8810	2	Spring-Extension	21	120-6166-01	1	Panel-Upper Closeoff
3	67-7920	2	Decal	22	120-6167-01	2	Seal-Chute, Side
4	80-2570	4	Pin-Clevis	23	120-6168-01	1	Seal-Door, Top
5	93-0184	2	Decal-Hopper	24	121-2877	2	Seal-Door, Side
6	100-1663	2	Pin-Hitch	25	120-6173	1	Panel-Floor, LH Side
7	105-3450	2	Grip-Lever, Lift	26	121-2767-01	1	Seal-Door, Bottom
8	107-1549	4	Hinge-Half	27	125-5955	1	Screen Floor ASM
9	119-6227	2	Bracket-Attachment, Chute Extension	29	321-15	20	Screw-HH
11	120-6150	1	Hopper Frame ASM	30	321-8	12	Screw-HH
12	120-6156-01	1	Panel-Bottom, RH	31	3229-11	8	Screw-CARR
13	120-6157-01	1	Panel-Bottom, LH	32	3229-34	4	Screw-CARR
14	120-6158-01	2	Panel-Side	33	3234-33	121	Screw-HHF
15	120-6159	1	Panel-Floor, RH Side	34	3296-2	4	Nut-Lock, NI
16	131-9360	1	Hopper Roof ASM	35	32105-32	53	Screw-TTH
17	120-6161	1	Panel-Center, Inside	36	32128-32	143	Nut-HHF
18	120-6162-01	1	Panel-Housing, Upper	37	107069	9	Clip
19	120-6163-01	1	Panel-Center, Lower	40	9202704	4	Washer-Flat



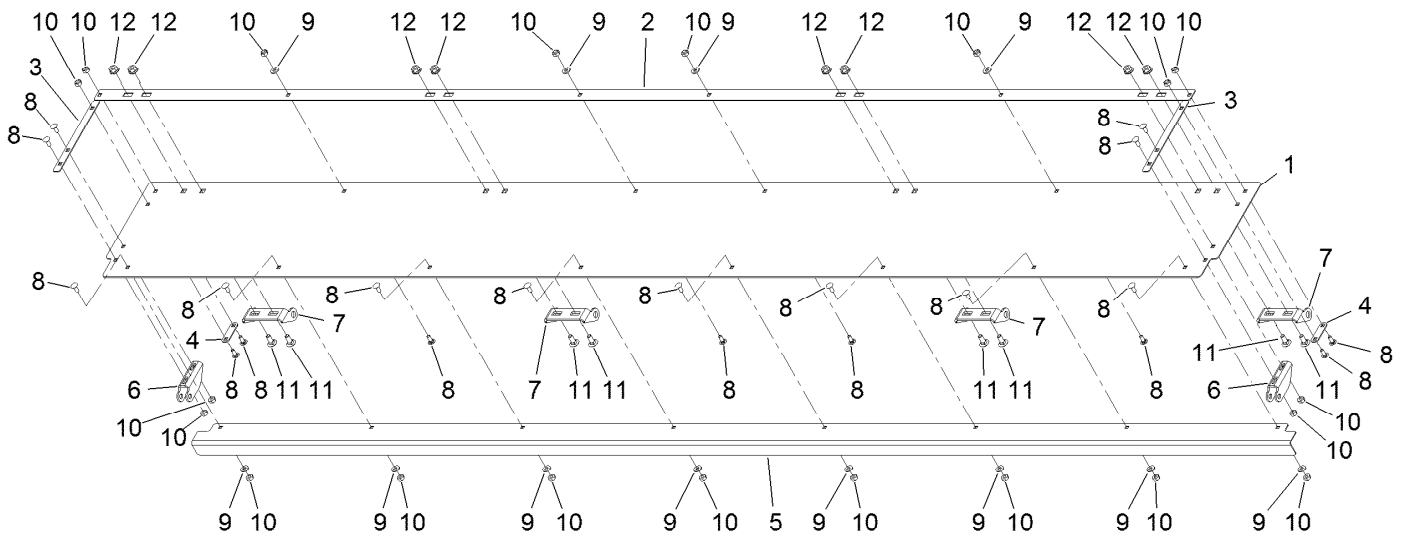
Hopper Frame Assembly No. 120-6150

Ref.	Part Number	Qty.	Description
1	107069	64	Clip
2	119-6440-01	1	Arm-Spring, Latch
3	120-5995-01	1	Lever And Catch Wa
4	120-6145-01	1	Frame-Hopper, Wa
5	121-2747-01	1	Lever And Catch, RH Wa
6	121-2748-01	1	Retainer-Spring Arm
7	121-2749-01	2	Spacer-Retainer
8	302-5	4	Fitting-Grease
9	323-50	5	Bolt-HH
10	3256-8	4	Washer-Flat
11	3296-39	5	Nut-Lock, NI
12	121-2741	4	Support, Fastener



Hopper Roof Assembly No. 131-9360

Ref.	Part Number	Qty.	Description
1	120-6151-01	2	Panel-Duct, Inside Front
2	120-6152-01	2	Rail-Back, Screen
3	120-6153-01	4	Rail-Side, Screen
4	120-6154-01	2	Screen
5	121-2725-01	2	Top-Hopper, RH
6	121-2730-01	2	Top-Hopper, LH
7	121-2736-01	1	Panel-Center, Top
8	121-2737-01	2	Panel-Side, Top
9	3234-33	158	Screw-HHF
10	32128-32	118	Nut-HHF
11	107069	40	Clip
12	121-2796	4	Tab-Lift, Corner



Screen Floor Assembly No. 125-5955

<i>Ref.</i>	<i>Part Number</i>	<i>Qty.</i>	<i>Description</i>
1	125-5949-01	1	Screen, Floor
2	125-5951-01	1	Plate-Backing, Hinge
3	125-5953-01	2	Plate-Backing, Screen
4	119-6230	2	Mount-Nozzle
5	125-5952-01	1	Plate-Stiffener,Screen
6	119-6227	2	Bracket-Attachment, Chute Extension
7	107-1549	4	Hinge-Half
8	1-807513	20	Bolt-CARR
9	3256-14	12	Washer-Flat
10	3296-2	20	Nut-Lock, NI
11	3229-11	8	Screw-CARR
12	32128-32	8	Nut-HHF

Attachments and Accessories

For 07055 Dust-Control 66in Rake-O-Vac Sweeper

Product Name	Model/Part
Street Broom	07162
Guard Kit	137-6600
Safety Chain Kit.....	139-3179
Spark Arrestor Screen	94-8157

Notes:

Notes:



Count on it.