



Count on it.

Parts Catalog

**E-Z Vac™ HD Twin Bagger
TITAN® HD Riding Mower**

Model No. 78431—Serial No. 40000000 and Up



Ordering Replacement Parts

To order replacement parts, please supply the part number, the quantity, and the description of each part desired.

Understanding Reference Numbers

Each identified part in an illustration has a reference number. The reference number for a part also appears in the parts list, along with other information about the part.

This catalog uses two special reference number formats, one to indicate parts in a service assembly and another to indicate the quantity of a given part in an illustration.

Service Assembly Reference Numbers

Parts in service assemblies have reference numbers in the form a:b. The a represents the reference number of the entire service assembly and the b represents a sequential number unique to each part within the service assembly.

For example, a wheel assembly might be identified by reference number 6, the tire by 6:1, the valve by 6:2, and the wheel by 6:3. When you order the assembly identified by reference number 6, you receive all parts identified by reference numbers 6:1, 6:2, and 6:3. However, you may also order any part individually. Reference numbers of this type appear in illustration and in parts lists.

Reference Numbers Indicating Quantity

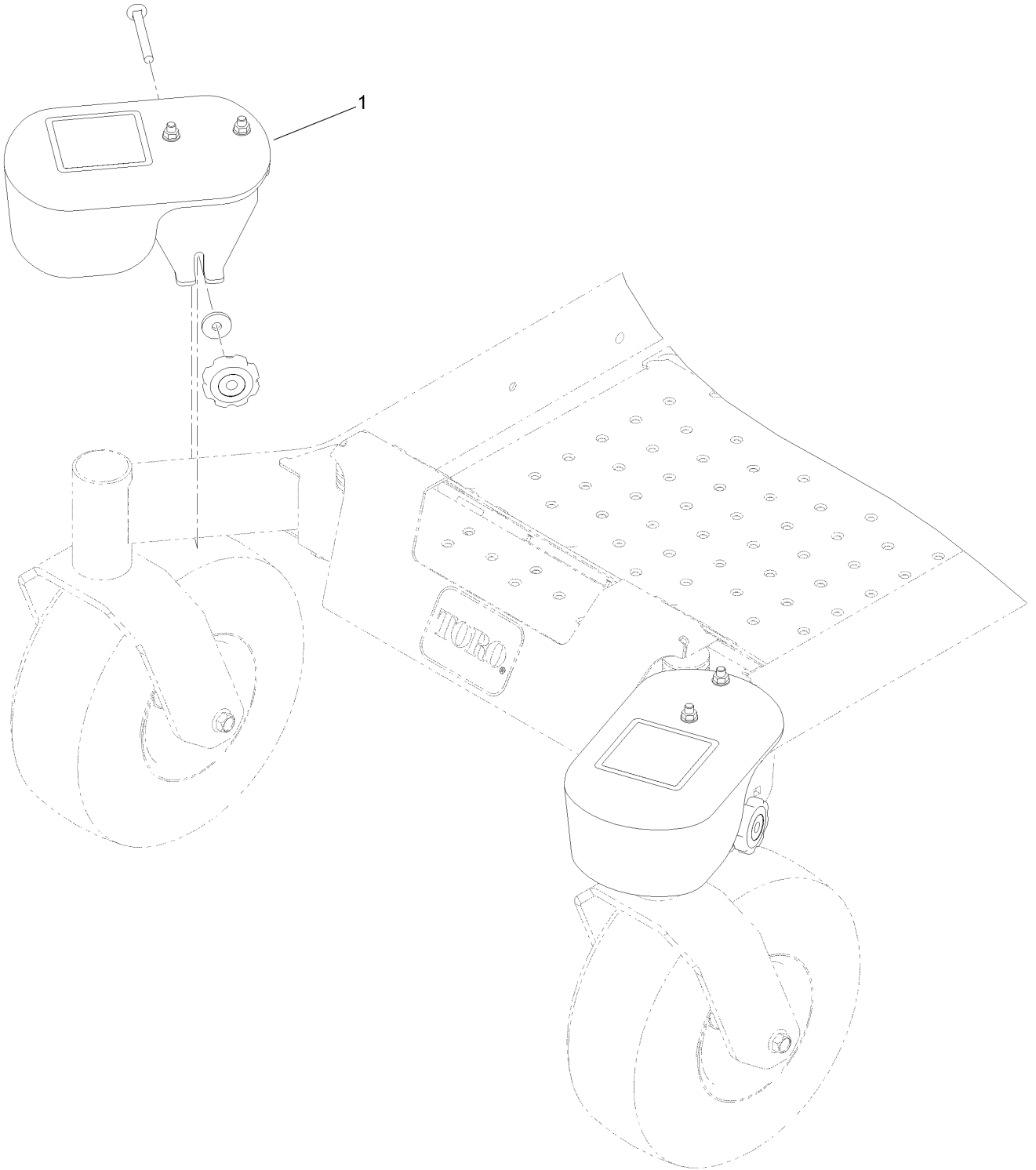
In an illustration, if a reference number indicates more than one part, the reference number has the form nX y. The n represents the quantity of the part, the X is the multiplication symbol, and the y represents the reference number.

For example, in an illustration, the reference number 2X 37 means that two of the parts identified by reference number 37 are indicated.

Contents

Caster Weight Assembly	4
Caster Weight Kit No. 126-8639	6
Twin Bagger and Hood Assembly	8
Twin Bag Hood Assembly No. 126-8579	10
Bag Support Frame Assembly No. 103-5166	12
Hood Assembly No. 112-2316	14
Bag Assembly No. 116-0754	16

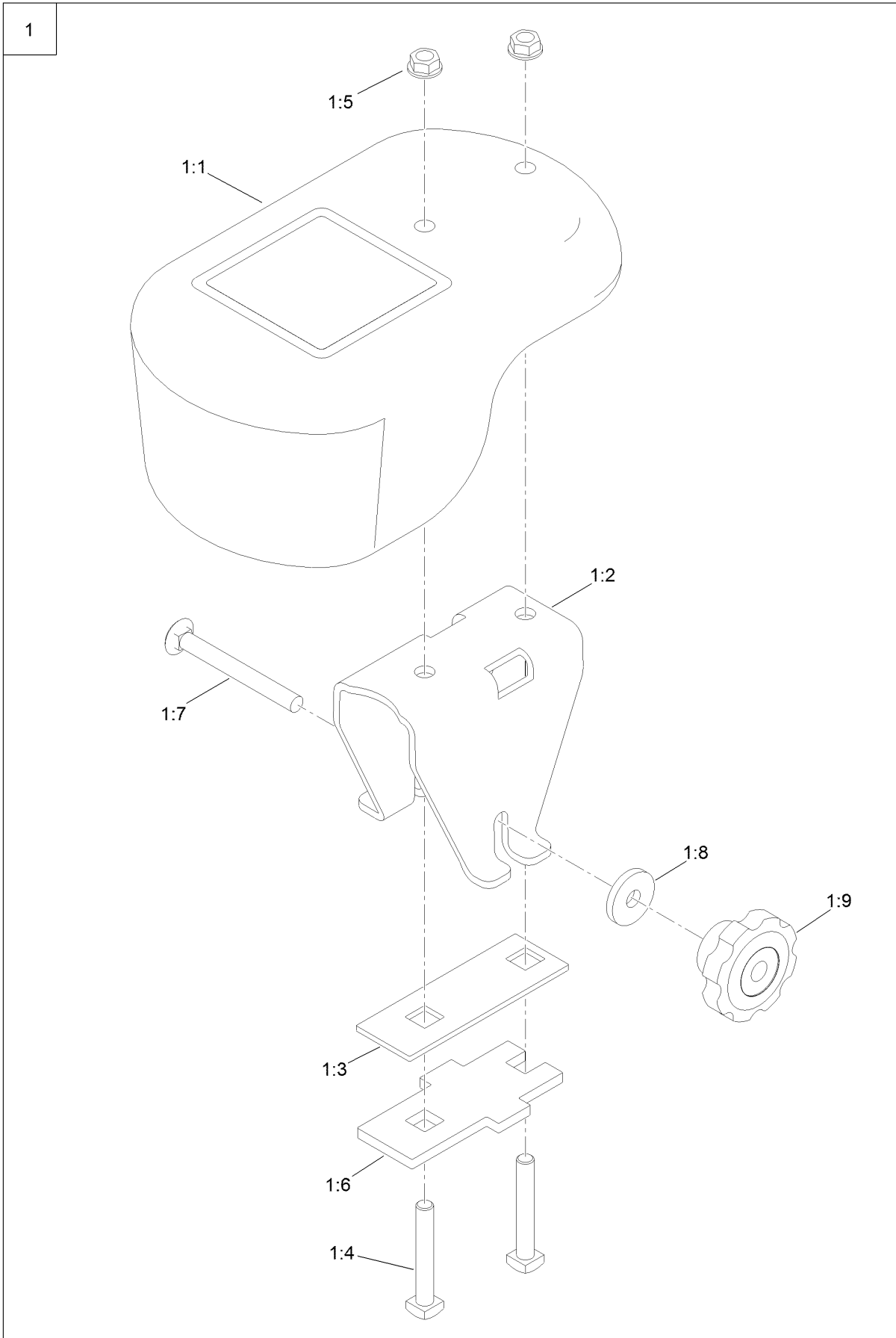
Caster Weight Assembly



Caster Weight Assembly (continued)

<i>Ref.</i>	<i>Part Number</i>	<i>Qty.</i>	<i>Description</i>
1	126-8639	1	Caster Weight Kit

Caster Weight Kit No. 126-8639



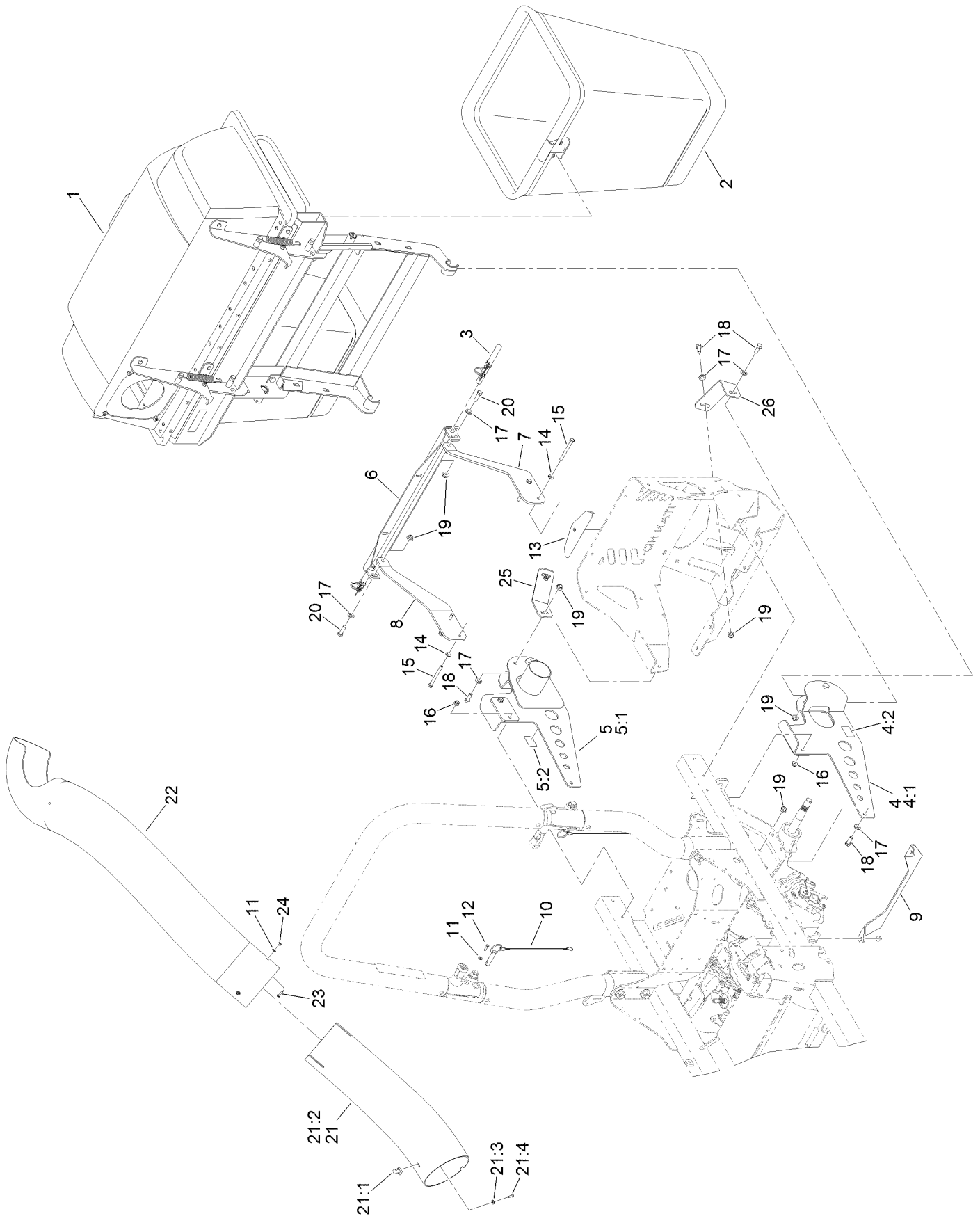
Caster Weight Kit No. 126-8639 (continued)

<i>Ref.</i>	<i>Part Number</i>	<i>Qty.</i>	<i>Description</i>
1		2	Caster Weight ASM ●
1:1	126-7639	1	Weight With Decal ASM
1:2	126-5967-01	1	Channel-Mount, Weight
1:3	126-5966-01	1	Plate-Bracket, Weight
1:4	103-2500	2	Bolt-SQH

<i>Ref.</i>	<i>Part Number</i>	<i>Qty.</i>	<i>Description</i>
1:5	3290-357	2	Nut-HHF, Whiz
1:6	126-5961-01	1	Plate-Bracket, Weight
1:7	3231-11	1	Screw-CARR
1:8	130-5815	1	Washer-Backup
1:9	109-1092	1	Knob

● Not serviced separately

Twin Bagger and Hood Assembly

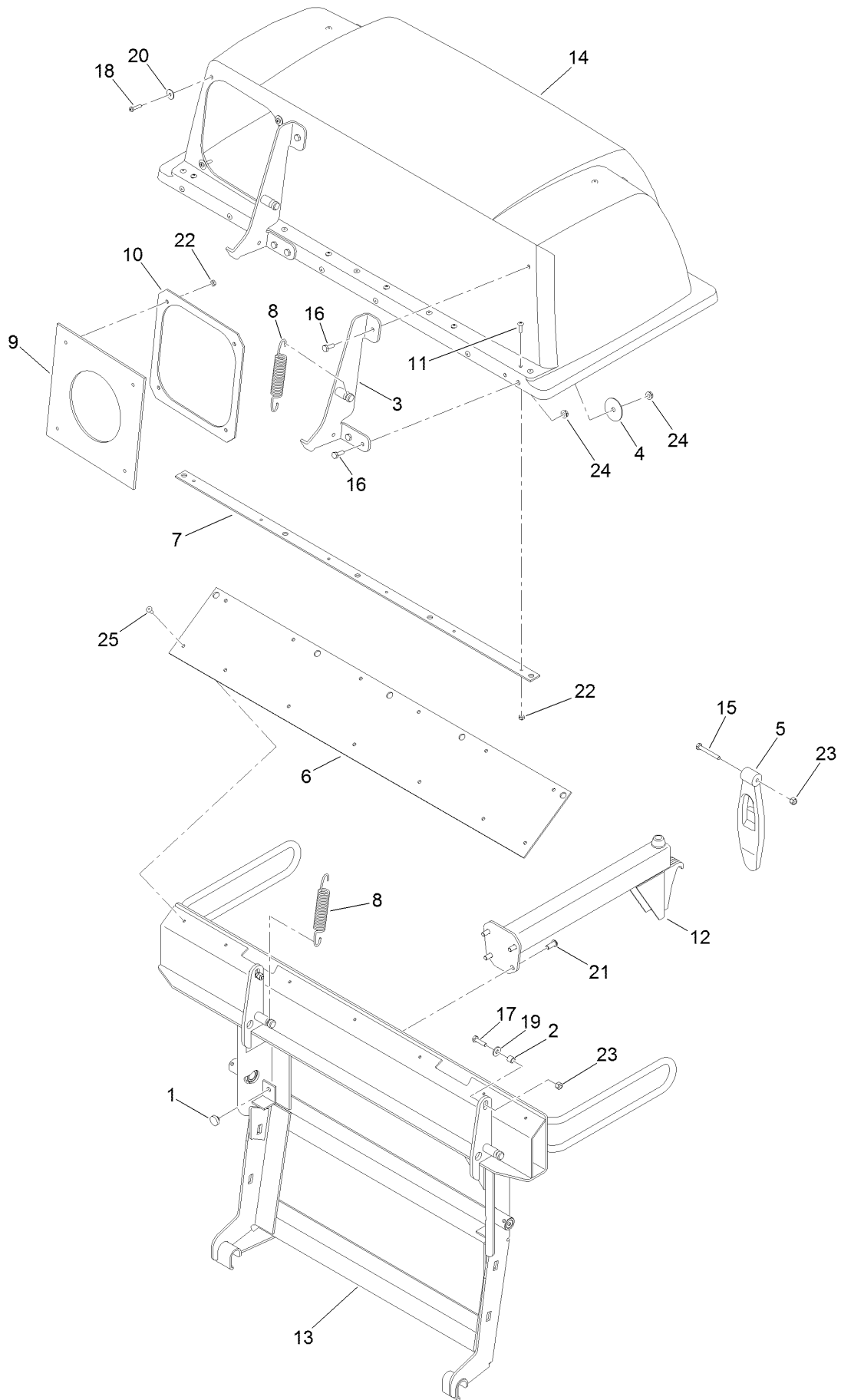


Twin Bagger and Hood Assembly (continued)

<i>Ref.</i>	<i>Part Number</i>	<i>Qty.</i>	<i>Description</i>	<i>Ref.</i>	<i>Part Number</i>	<i>Qty.</i>	<i>Description</i>
1	126-8579	1	Twin Bag Hood ASM	14	3256-23	4	Washer-Plain
2	116-0754	2	Bag And Frame ASM	15	126-8742	4	Screw-HH
3	116-0458	2	Pin-Mount, Bagger	16	104-8300	8	Nut-HF, NI
4	126-9661	1	Support-Bagger, Lower LH	17	3256-24	8	Washer-Flat
4:1	126-9146-03	1	Support-Bagger, Lower LH	18	323-6	6	Screw-HH
4:2	106-5517	1	Decal-Warning	19	104-8301	8	Nut-HF, NI
5	126-9660	1	Support-Bagger, Lower RH	20	323-7	2	Screw-HH
5:1	126-9149-03	1	Support-Bagger, Lower RH	21	109-2043	1	Lower Tube ASM
5:2	106-5517	1	Decal-Warning	21:1	109-2038	1	Tube-Lower, Short
6	126-9262-03	1	Support-Bagger, Upper	21:2	103-4081	2	Latch-Keeper ●
7	126-9266-03	1	Bracket-Upper, LH	21:3	3290-500	2	Screw-PPH
8	126-9265-03	1	Bracket-Upper, RH	21:4	3256-14	2	Washer-Flat
9	126-5672-03	1	Support-Transmission	22	109-2036	1	Tube-Upper
10	106-9951	2	Hitch Pin ASM	23	32105-13	3	Screw-HWH
11	3256-14	5	Washer-Flat	24	3296-2	3	Nut-Lock, NI
12	32104-4	2	Screw	25	126-9612-03	1	Bracket-Bagger, RH
13	126-8299	1	Cover-Hitch	26	126-9613-03	1	Bracket-Bagger, LH

● Kit No. 103-4188 - Contains catch, rubber latch, and mounting hardware

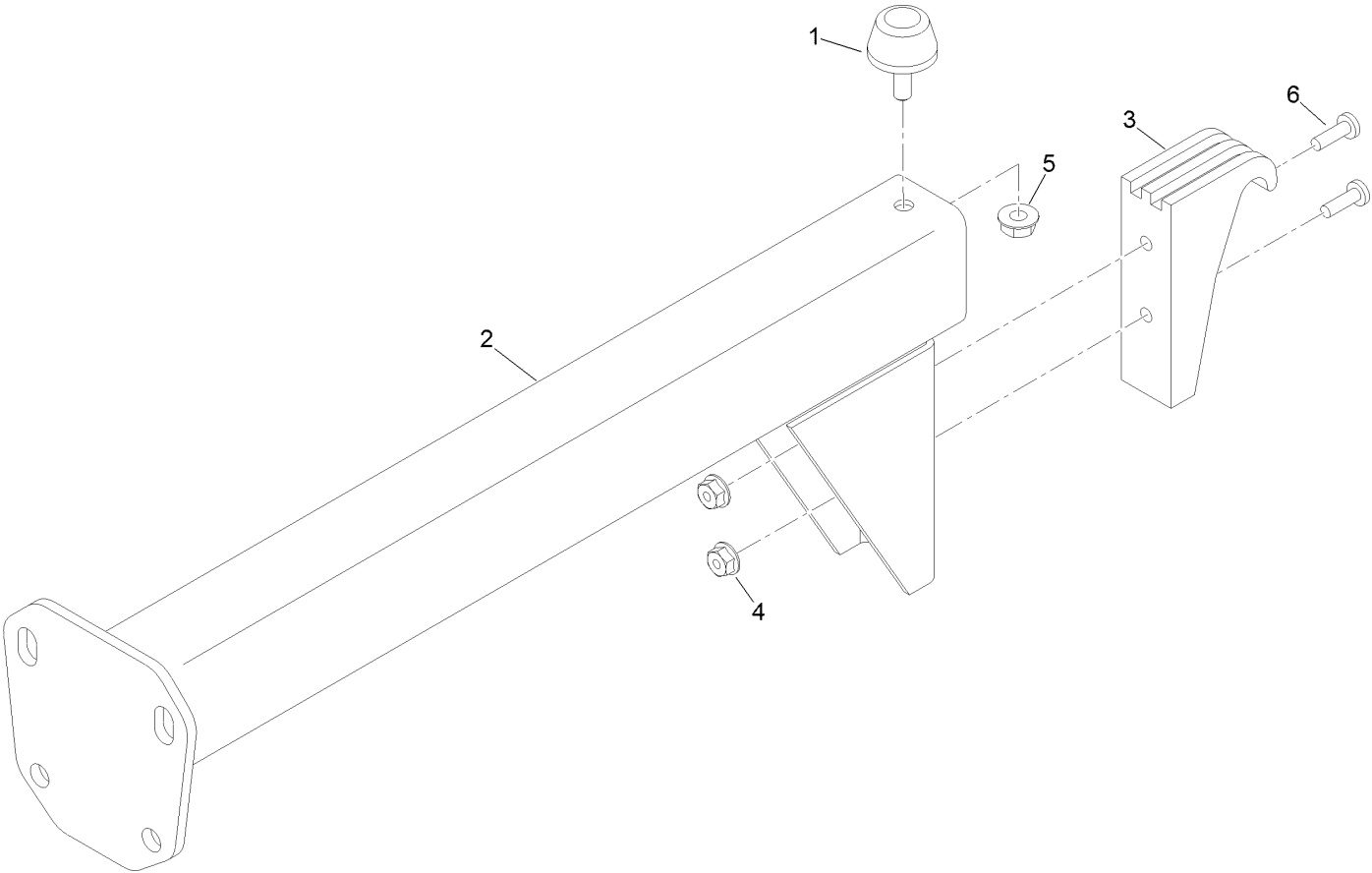
Twin Bag Hood Assembly No. 126-8579



Twin Bag Hood Assembly No. 126-8579 (continued)

<i>Ref.</i>	<i>Part Number</i>	<i>Qty.</i>	<i>Description</i>	<i>Ref.</i>	<i>Part Number</i>	<i>Qty.</i>	<i>Description</i>
1	1-513658	2	Bumper	14	112-2316	1	Hood ASM
2	1-633545	2	Spacer	15	321-11	1	Screw-HH
3	1-652395-03	2	Hinge ASM	16	321-4	6	Screw-HH
4	1-653036	2	Washer	17	321-6	2	Screw-HH
5	1-653403	1	Latch	18	3250-27	4	Screw-PPH
6	1-653425	1	Seal	19	3256-2	2	Washer-Flat
7	1-653528-03	1	Plate-Backing	20	3256-61	4	Washer-Flat
8	1-653544	2	Spring-Extension	21	3274-55	4	Screw-HSBH
9	1-653561	1	Seal-Chute	22	3296-2	10	Nut-Lock, NI
10	1-653598-03	1	Clamp-Seal	23	3296-42	3	Nut-Lock, NI
11	1-803075	6	Screw-Head, Truss	24	32128-33	6	Nut-HF
12	103-5166	1	Bag Support ASM	25	114439	7	Rivet-Blind
13	109-8705-03	1	Frame-Bag, Twin				

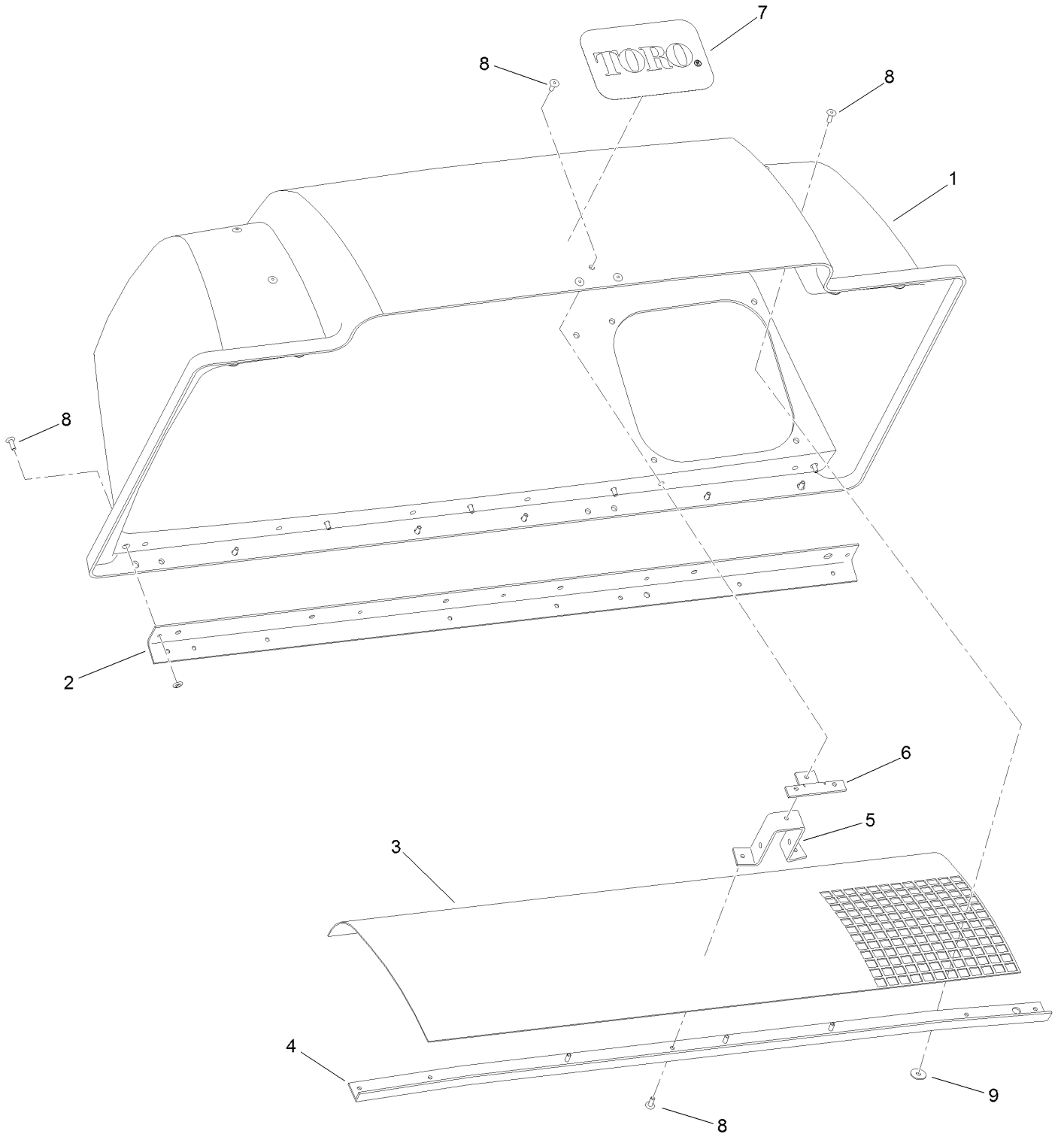
Bag Support Frame Assembly No. 103-5166



Bag Support Frame Assembly No. 103-5166 (continued)

<i>Ref.</i>	<i>Part Number</i>	<i>Qty.</i>	<i>Description</i>	<i>Ref.</i>	<i>Part Number</i>	<i>Qty.</i>	<i>Description</i>
1	1-523420	1	Bumper	4	3290-148	2	Nut-Whizlock
2	103-5124-03	1	Support-Bag	5	32128-33	1	Nut-Whizlock
3	1-653404	1	Catch	6	3290-500	2	Screw-PPH

Hood Assembly No. 112-2316

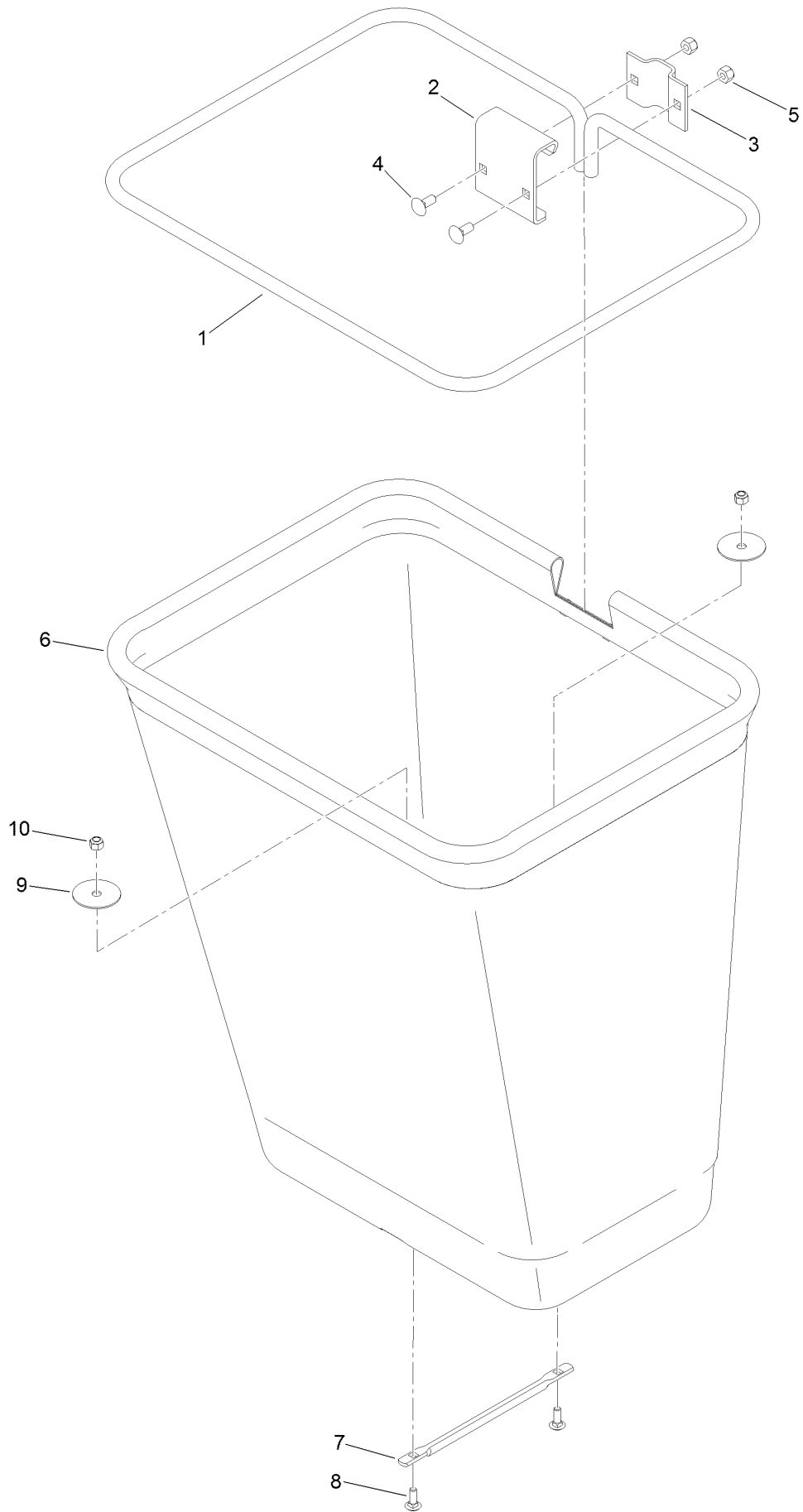


Hood Assembly No. 112-2316 (continued)

<i>Ref.</i>	<i>Part Number</i>	<i>Qty.</i>	<i>Description</i>
1	107-4088	1	Top-Bagger
2	1-653397-03	1	Stiffener-Bagger, Top
3	114967	1	Screen-Bagger
4	1-653400-03	1	Support-Screen
5	1-653519	1	Anchor-Latch

<i>Ref.</i>	<i>Part Number</i>	<i>Qty.</i>	<i>Description</i>
6	1-653535	1	Reinforcement-Latch
7	99-4693	1	Decal
8	114439	38	Rivet-Blind
9	3256-61	14	Washer-Flat

Bag Assembly No. 116-0754



Bag Assembly No. 116-0754 (continued)

<i>Ref.</i>	<i>Part Number</i>	<i>Qty.</i>	<i>Description</i>	<i>Ref.</i>	<i>Part Number</i>	<i>Qty.</i>	<i>Description</i>
1	1-653529-03	1	Frame-Bag	6	116-0757	1	Bag
2	114973-03	1	Hanger-Bag	7	1-653566	1	Handle-Bag
3	114974-03	1	Clamp	8	3229-1	2	Screw-CARR
4	3230-1	2	Bolt-CARR	9	1-653036	2	Washer
5	3296-29	2	Nut-Lock, NI	10	3296-42	2	Nut-Lock, NI

Notes:

Notes:



Count on it.