



**Count on it.**

**Parts Catalog**

**Groundsmaster® 4000**

**Rotary Mower**

Model No. 30605—Serial No. 405226001 and Up



# Ordering Replacement Parts

To order replacement parts, please supply the part number, the quantity, and the description of each part desired.

## Understanding Reference Numbers

Each identified part in an illustration has a reference number. The reference number for a part also appears in the parts list, along with other information about the part.

This catalog uses two special reference number formats, one to indicate parts in a service assembly and another to indicate the quantity of a given part in an illustration.

## Service Assembly Reference Numbers

Parts in service assemblies have reference numbers in the form a:b. The a represents the reference number of the entire service assembly and the b represents a sequential number unique to each part within the service assembly.

For example, a wheel assembly might be identified by reference number 6, the tire by 6:1, the valve by 6:2, and the wheel by 6:3. When you order the assembly identified by reference number 6, you receive all parts identified by reference numbers 6:1, 6:2, and 6:3. However, you may also order any part individually. Reference numbers of this type appear in illustration and in parts lists.

## Reference Numbers Indicating Quantity

In an illustration, if a reference number indicates more than one part, the reference number has the form nX y. The n represents the quantity of the part, the X is the multiplication symbol, and the y represents the reference number.

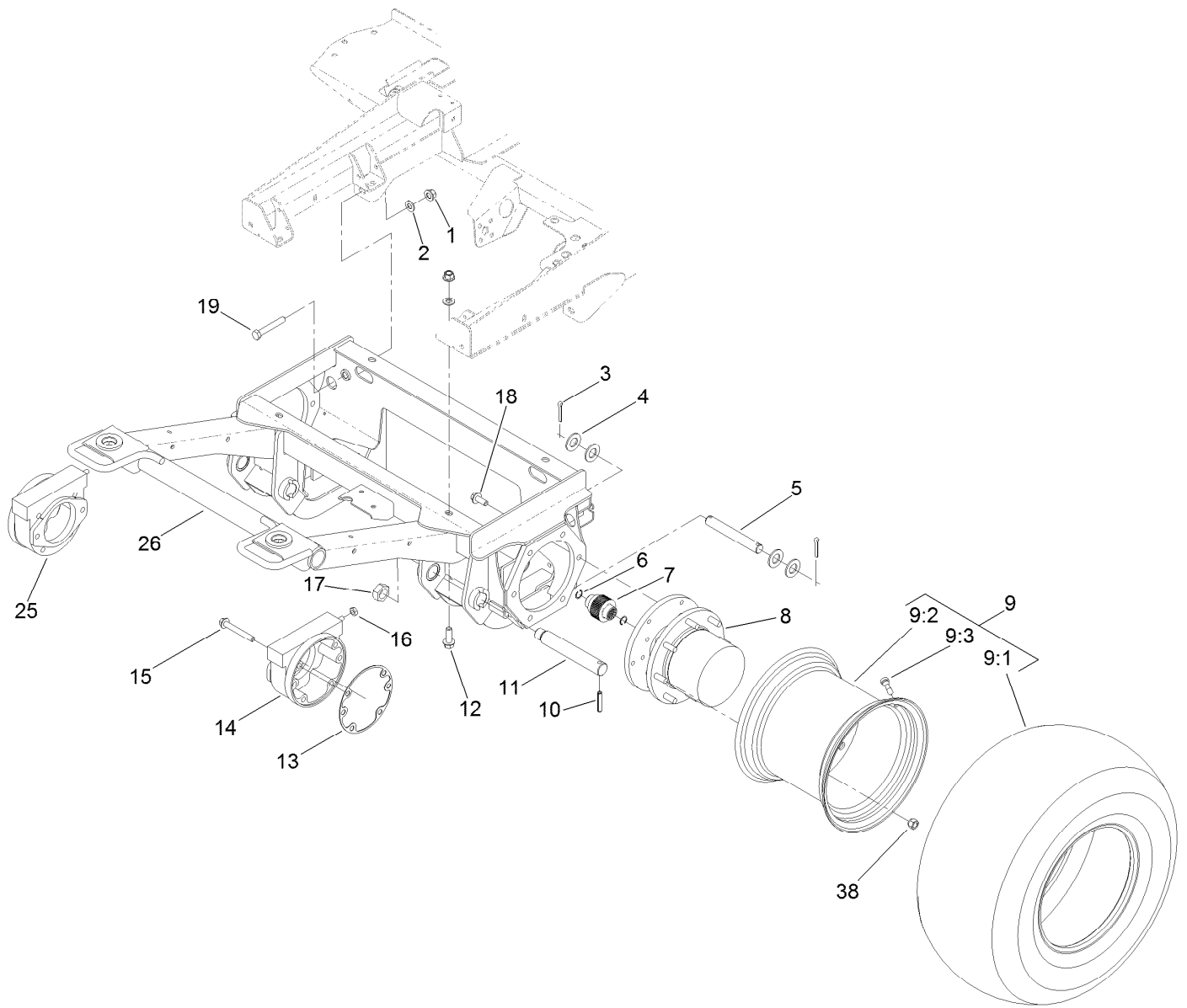
For example, in an illustration, the reference number 2X 37 means that two of the parts identified by reference number 37 are indicated.

# Contents

|   |    |
|---|----|
| Front Frame and Steering Assembly . . . . .                           | 5  |
| Planetary Assembly No. 136-2913 . . . . .                             | 6  |
| LH Brake Assembly No. 100-3070-03 . . . . .                           | 7  |
| RH Brake Assembly No. 100-3069-03 . . . . .                           | 8  |
| Battery, Shield and Rear Cover Assembly . . . . .                     | 9  |
| Wing Lift Arm Assembly . . . . .                                      | 10 |
| Hydraulic Cylinder Assembly No. 139-0956 . . . . .                    | 12 |
| Impact Arm Assembly . . . . .   | 13 |
| Frame, Bumper and Proximity Sensor Assembly . . . . .                 | 15 |
| ROPS and Step Assembly . . . . .                                      | 16 |
| Flywheel and Motor Mount Assembly . . . . .                           | 17 |
| Radiator Assembly . . . . .   | 18 |
| Fan Mounting and Hardline Assembly . . . . .                          | 20 |
| Hydraulic Motor Assembly No. 137-5571 . . . . .                       | 21 |
| Engine, Intake and Exhaust Assembly . . . . .                         | 22 |
| Rear Axle and Steering Cylinder Assembly . . . . .                    | 23 |
| Bevel Pinion Shaft Assembly Rear Axle Assembly No. 110-4750 . . . . . | 25 |
| Differential Assembly Rear Axle Assembly No. 110-4750 . . . . .       | 26 |
| Axle Support Assembly Rear Axle Assembly No. 110-4750 . . . . .       | 27 |
| Bevel Gear Case Assembly Rear Axle Assembly No. 110-4750 . . . . .    | 28 |
| Bevel Gear Shaft Assembly Rear Axle Assembly No. 110-4750 . . . . .   | 29 |
| Axle Case Assembly Rear Axle Assembly No. 110-4750 . . . . .          | 30 |
| Axle Assembly Rear Axle Assembly No. 110-4750 . . . . .               | 31 |
| Hydraulic Motor Assembly No. 120-8814 . . . . .                       | 32 |
| Steering Cylinder Assembly No. 121-1534 . . . . .                     | 33 |
| Hydraulic Fitting Assembly . . . . .                                  | 34 |
| Hose and Tube Routing Assembly . . . . .                              | 35 |
| Fuel Tank and Air Cleaner Assembly . . . . .                          | 36 |
| Air Cleaner Assembly No. 99-5410 . . . . .                            | 37 |
| Hood Assembly . . . . .   | 38 |
| Fuel/Water Separator Assembly . . . . .                               | 39 |
| Front Deck Installation Assembly . . . . .                            | 40 |
| Hydraulic Motor Assembly No. 127-3694 . . . . .                       | 42 |
| Lift Cylinder Assembly No. 120-8802 . . . . .                         | 43 |
| Front Deck Hydraulic Fitting Assembly . . . . .                       | 44 |
| Front Deck Hose Routing Assembly . . . . .                            | 45 |
| Front Deck Idler and Skid Assembly . . . . .                          | 46 |
| Double Driven Spindle Assembly No. 119-4548 . . . . .                 | 48 |
| High Driven Spindle Assembly No. 119-4549 . . . . .                   | 50 |
| Front Deck Caster Arm and Wheel Assembly . . . . .                    | 52 |
| Front Deck Driving Spindle Assembly . . . . .                         | 54 |
| Driven Spindle Assembly No. 119-4547 . . . . .                        | 55 |
| Front Deck Cutting Chamber, Cover and Roller Assembly . . . . .       | 56 |
| Right Deck Mount Assembly . . . . .                                   | 58 |
| Right Deck Hydraulic Fitting Assembly . . . . .                       | 59 |
| Right Deck Hose Assembly . . . . .                                    | 60 |
| Right Deck, Idler and Skid Assembly . . . . .                         | 62 |
| Low Driven Spindle Assembly No. 119-4776 . . . . .                    | 64 |
| Right Hand and Left Hand Castor Arm and Wheel Assembly . . . . .      | 66 |
| LH and RH Deck Driving Spindle Assembly . . . . .                     | 68 |
| Right Deck Discharge Chamber and Cover Assembly . . . . .             | 70 |
| Left Deck Mount Assembly . . . . .                                    | 72 |
| Left Deck Hydraulic Fitting Assembly . . . . .                        | 73 |
| Left Deck Hose Assembly . . . . .                                     | 74 |

# Contents (continued)

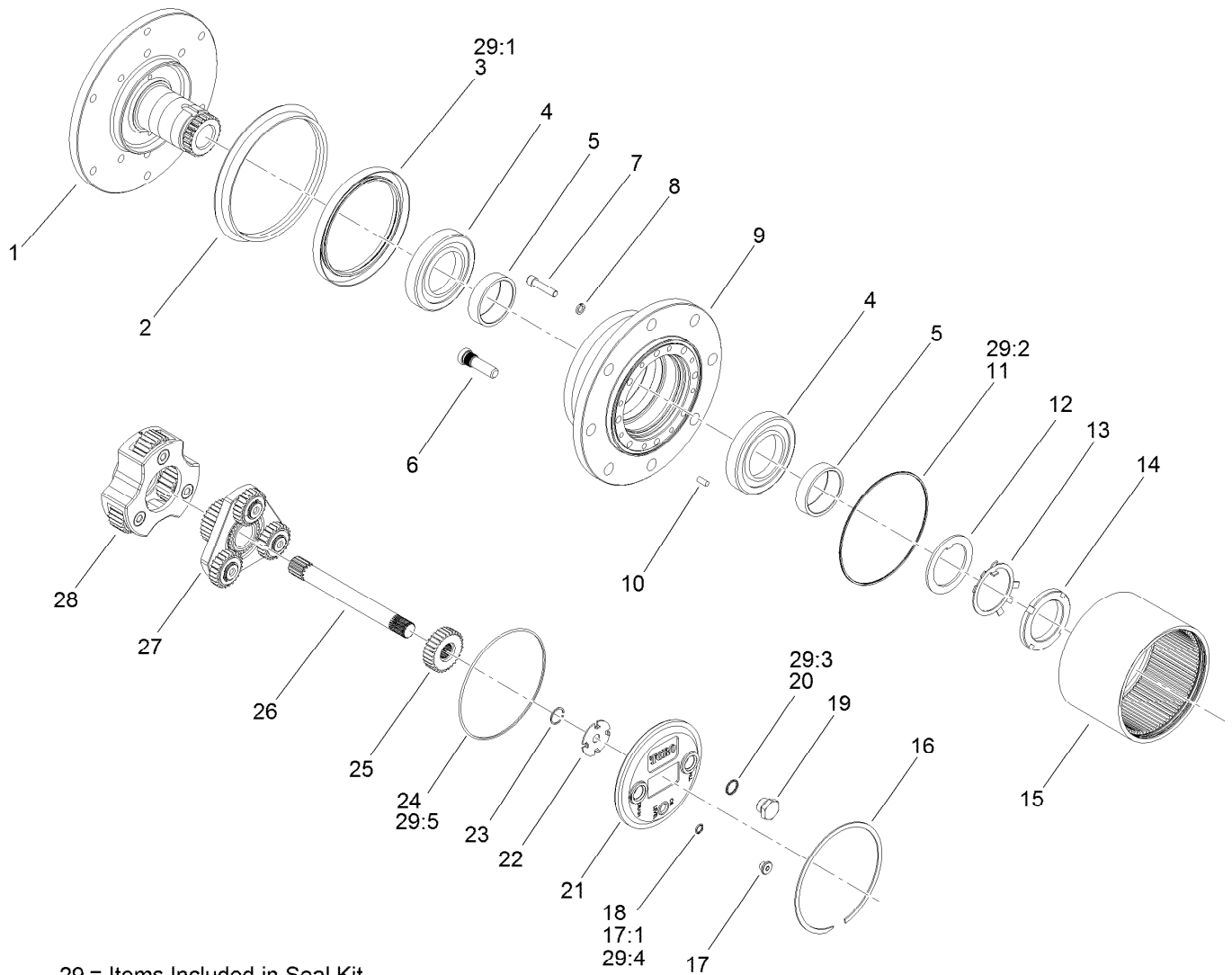
|   |     |
|---|-----|
| Left Deck, Idler and Skid Assembly . . . . .                  | 76  |
| Left Deck Discharge Chamber and Cover Assembly . . . . .      | 78  |
| Traction Pedal and Platform Assembly . . . . .                | 80  |
| Brake Pedal Assembly . . . . .                                | 82  |
| Seat Base and Seat Assembly . . . . .                         | 83  |
| Seat Suspension Assembly No. 130-2702 . . . . .               | 85  |
| Vinyl Premium Seat Assembly No. 117-5676 . . . . .            | 86  |
| Steering and Controller Assembly . . . . .                    | 87  |
| Steering Column Assembly No. 132-6230 . . . . .               | 89  |
| Fender, Tool Box and Cover Assembly . . . . .                 | 90  |
| Fender Assembly . . . . .                                     | 91  |
| Acoustic Foam Assembly . . . . .                              | 92  |
| Platform Wire Harness and Fuse Assembly . . . . .             | 93  |
| Rear Wire Harness Assembly . . . . .                          | 94  |
| Battery Cable and Ground Assembly . . . . .                   | 95  |
| Engine Harness Assembly . . . . .                             | 96  |
| Piston Pump and Gear Pump Assembly . . . . .                  | 98  |
| 4-Section Gear Pump Assembly No. 120-8904 . . . . .           | 100 |
| Hydraulic Pump Assembly No. 132-6100 . . . . .                | 102 |
| Combination Manifold Assembly . . . . .                       | 104 |
| Combination Manifold Assembly No. 137-5582 . . . . .          | 105 |
| Manifold Block Assembly . . . . .                             | 107 |
| Left PTO Manifold Assembly No. 131-1249 . . . . .             | 109 |
| Rear Traction Manifold Assembly No. 121-1530 . . . . .        | 110 |
| Center and Right PTO Manifold Assembly No. 131-1248 . . . . . | 111 |
| Flow Divider Manifold Assembly No. 121-1550 . . . . .         | 112 |
| Drive Motor, Steer Valve and Filter Head Assembly . . . . .   | 113 |
| Hydraulic Motor Assembly No. 120-8812 . . . . .               | 114 |
| Steering Valve Assembly No. 132-6256 . . . . .                | 116 |
| Hydraulic Reservoir Assembly . . . . .                        | 118 |
| Lift, Steer and Fan Hydraulic Assembly . . . . .              | 120 |
| Oil Cooler Hydraulic Assembly . . . . .                       | 122 |
| Traction Hydraulic Assembly . . . . .                         | 124 |
| Armrest Control Panel Assembly . . . . .                      | 126 |
| Cylinder Block Assembly . . . . .                             | 128 |
| Gear Housing Assembly . . . . .                               | 129 |
| Cylinder Head and Bonnet Assembly . . . . .                   | 130 |
| Fuel Injection Pump Assembly . . . . .                        | 132 |
| Flywheel Housing and Oil Sump Assembly . . . . .              | 134 |
| Suction Manifold Assembly . . . . .                           | 135 |
| Exhaust Manifold and Silencer Assembly . . . . .              | 136 |
| Camshaft and Driving Gear Assembly . . . . .                  | 137 |
| Turbine Assembly . . . . .                                    | 138 |
| Crankshaft and Piston Assembly . . . . .                      | 139 |
| Lubrication and Oil System Assembly . . . . .                 | 140 |
| Lubrication Oil Line Assembly . . . . .                       | 141 |
| Cooling Water System Assembly . . . . .                       | 142 |
| Governor Assembly . . . . .                                   | 143 |
| Fuel Injection Valve Assembly . . . . .                       | 144 |
| Starting Motor Assembly . . . . .                             | 145 |
| Generator Assembly . . . . .                                  | 146 |
| Electronic Control Unit Assembly . . . . .                    | 147 |
| Gasket Set . . . . .  | 148 |
| Attachments and Accessories . . . . .                         | 149 |



## Front Frame and Steering Assembly

| Ref. | Part Number | Qty. | Description              | Ref. | Part Number | Qty. | Description   |
|------|-------------|------|--------------------------|------|-------------|------|---------------|
| 1    | 99-5107     | 6    | Nut-Lock                 | 11   | 100-3017    | 2    | Pin-Arm, Lift |
| 2    | 3256-26     | 6    | Washer-Flat              | 12   | 100-6116    | 4    | Screw-HHF     |
| 3    | 3272-30     | 4    | Pin-Cotter               | 13   | 93-7984     | 2    | Gasket        |
| 4    | 3256-29     | 8    | Washer-Flat              | 14   | 100-3070-03 | 1    | Brake ASM     |
| 5    | 110-6006    | 2    | Pin-Clevis               | 15   | 33106-080   | 8    | Screw-HHF     |
| 6    | 93-7972     | 4    | Ring-Retaining, Internal | 16   | 3218-4      | 2    | Nut-Jam       |
| 7    | 100-3046    | 2    | Shaft-Brake, Splined     | 17   | 3296-49     | 2    | Nut-Lock, NI  |
| 8    | 136-2913    | 2    | Planetary ASM            | 18   | 33106-030   | 12   | Screw-HHF     |
| 9    |             | 2    | Wheel And Tire ASM ●     | 19   | 325-13      | 2    | Screw-HH      |
| 9:1  | 119-8313    | 1    | Tire                     | 25   | 100-3069-03 | 1    | Brake ASM     |
| 9:2  | 136-4391    | 1    | Rim                      | 26   | 132-6250-03 | 1    | Frame-Front   |
| 9:3  | 232-27      | 1    | Stem-Valve               | 38   | 242-50      | 16   | Nut-Lug       |
| 10   | 32121-110   | 2    | Pin-Roll, Slotted        |      |             |      |               |

● Not serviced separately

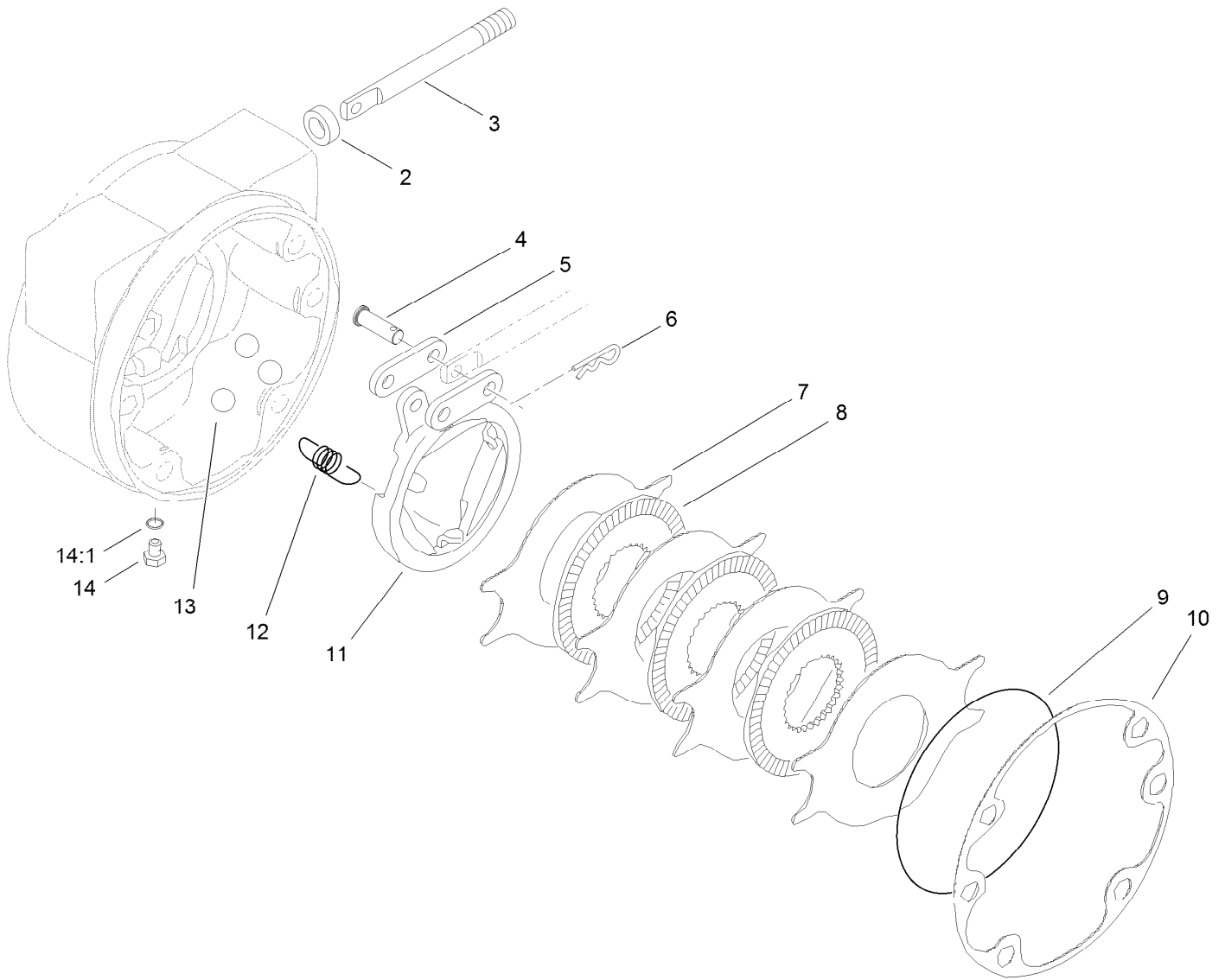


29 = Items Included in Seal Kit

## Planetary Assembly No. 136-2913

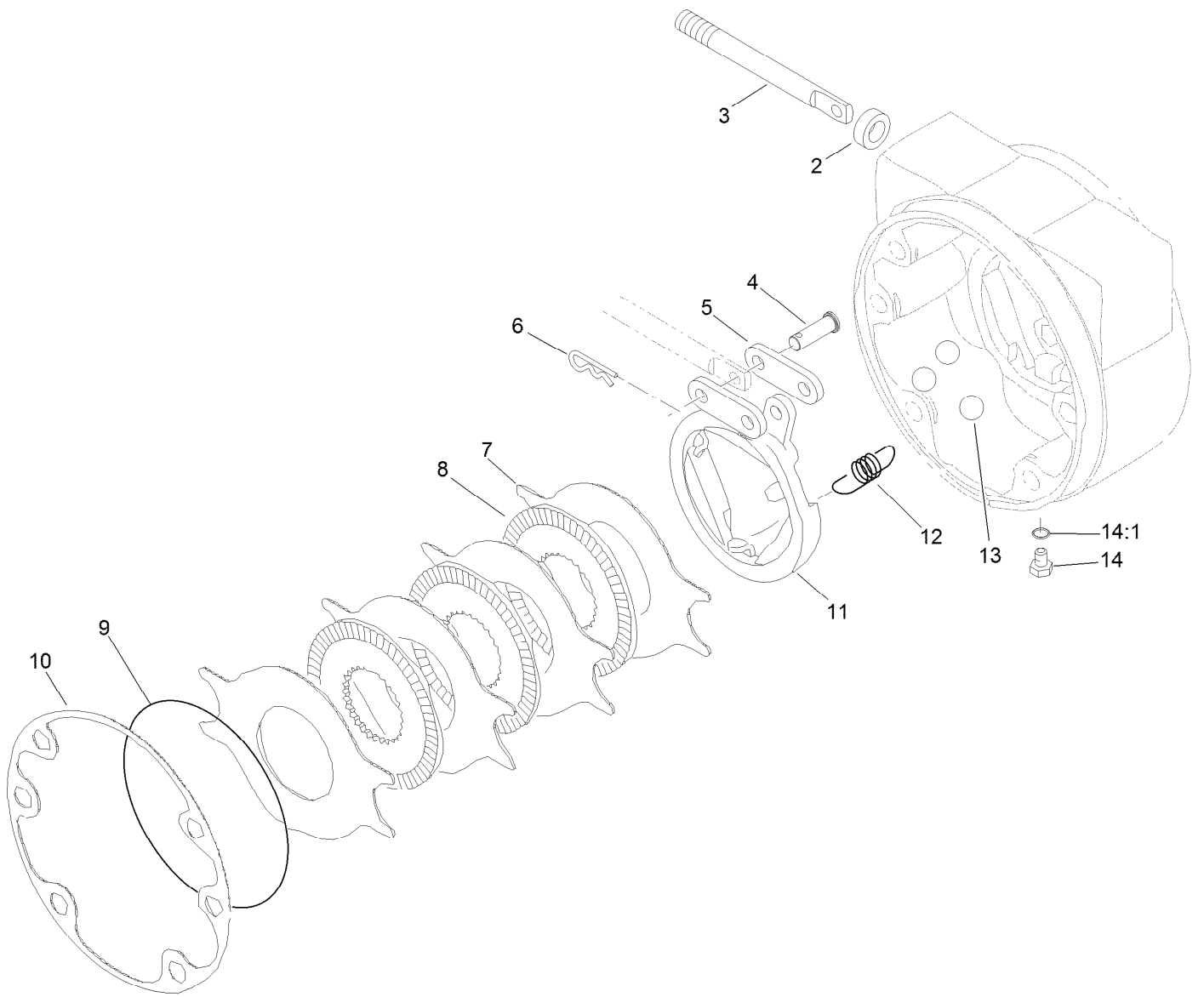
| Ref. | Part Number | Qty. | Description       | Ref. | Part Number | Qty. | Description           |
|------|-------------|------|-------------------|------|-------------|------|-----------------------|
| 1    |             | 1    | Spindle ●         | 18   | 237-78      | 1    | O-Ring                |
| 2    | 138-1204    | 1    | Seal-Boot         | 19   | 138-1211    | 2    | Plug-Flange, Magnetic |
| 3    |             | 1    | Seal-Lip ●        | 20   | 138-1212    | 2    | O-Ring                |
| 4    | 138-1205    | 2    | Bearing-Cup       | 21   | 138-1213    | 1    | Cap-End               |
| 5    | 138-1206    | 2    | Bearing-Cone      | 22   | 138-1214    | 1    | Washer-Thrust, Sun    |
| 6    | 105-8124    | 8    | Stud-Wheel        | 23   | 105-8131    | 2    | Ring-Retaining        |
| 7    | 138-1207    | 8    | Screw-Socket Head | 24   |             | 1    | O-Ring ●              |
| 8    | 138-1208    | 8    | Washer-Lock       | 25   | 138-1215    | 1    | Gear-Primary, Sun     |
| 9    |             | 1    | Housing ●         | 26   | 138-1216    | 1    | Shaft-Drive           |
| 10   | 105-8121    | 4    | Pin-Dowel         | 27   | 138-1217    | 1    | Primary Carrier ASM   |
| 11   |             | 1    | O-Ring ●          | 28   | 138-1218    | 1    | Secondary Carrier ASM |
| 12   | 138-6928    | 1    | Spacer            | 29   | 138-1219    | 1    | Seal Kit              |
| 13   | 138-6929    | 1    | Washer            | 29:1 |             | 1    | Seal-Lip ●            |
| 14   | 138-6930    | 1    | Nut-Lock          | 29:2 |             | 1    | O-Ring ●              |
| 15   | 138-1209    | 1    | Gear-Ring         | 29:3 |             | 1    | O-Ring ●              |
| 16   | 138-1210    | 1    | Ring-Snap         | 29:4 |             | 1    | O-Ring ●              |
| 17   | 353-990     | 1    | Plug ASM          | 29:5 |             | 1    | O-Ring ●              |
| 17:1 | 237-78      | 1    | O-Ring            |      |             |      |                       |

● Not serviced separately



## LH Brake Assembly No. 100-3070-03

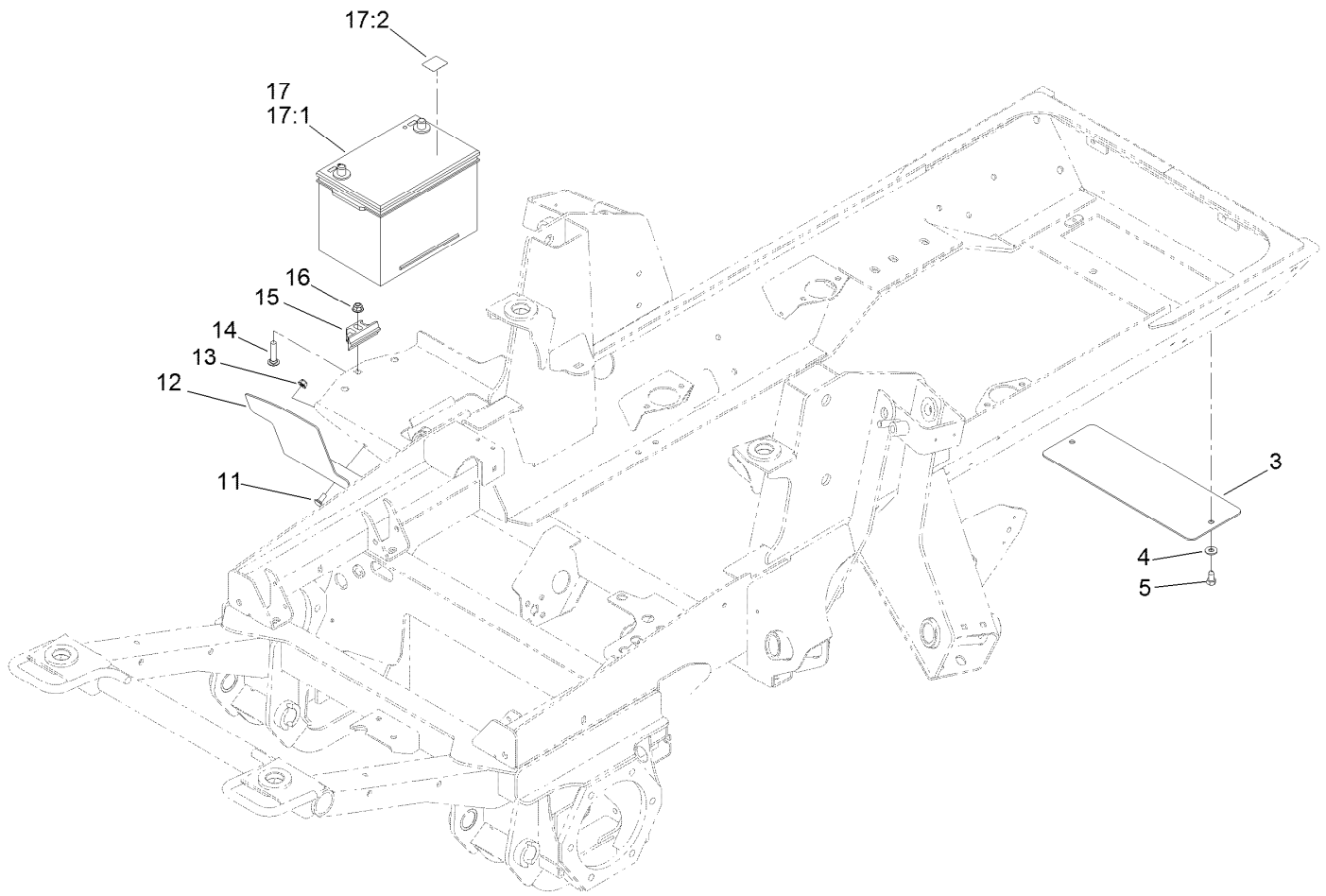
| <i>Ref.</i> | <i>Part Number</i> | <i>Qty.</i> | <i>Description</i> |
|-------------|--------------------|-------------|--------------------|
| 2           | 93-7977            | 1           | Seal               |
| 3           | 93-7978            | 1           | Rod-Pull           |
| 4           | 93-7983            | 2           | Pin-Clevis         |
| 5           | 93-7980            | 2           | Link               |
| 6           | 93-7979            | 2           | Pin-Hitch          |
| 7           | 93-7986            | 4           | Disc-Stationary    |
| 8           | 104-4278           | 3           | Disc-Rotating      |
| 9           | 93-7976            | 1           | Ring-Retaining     |
| 10          | 93-7984            | 1           | Gasket             |
| 11          | 104-4279           | 1           | Actuator-Rotating  |
| 12          | 93-7987            | 3           | Spring-Extension   |
| 13          | 93-7985            | 3           | Ball               |
| 14          | 353-990            | 2           | Plug ASM           |
| 14:1        | 237-78             | 1           | O-Ring             |



## RH Brake Assembly No. 100-3069-03

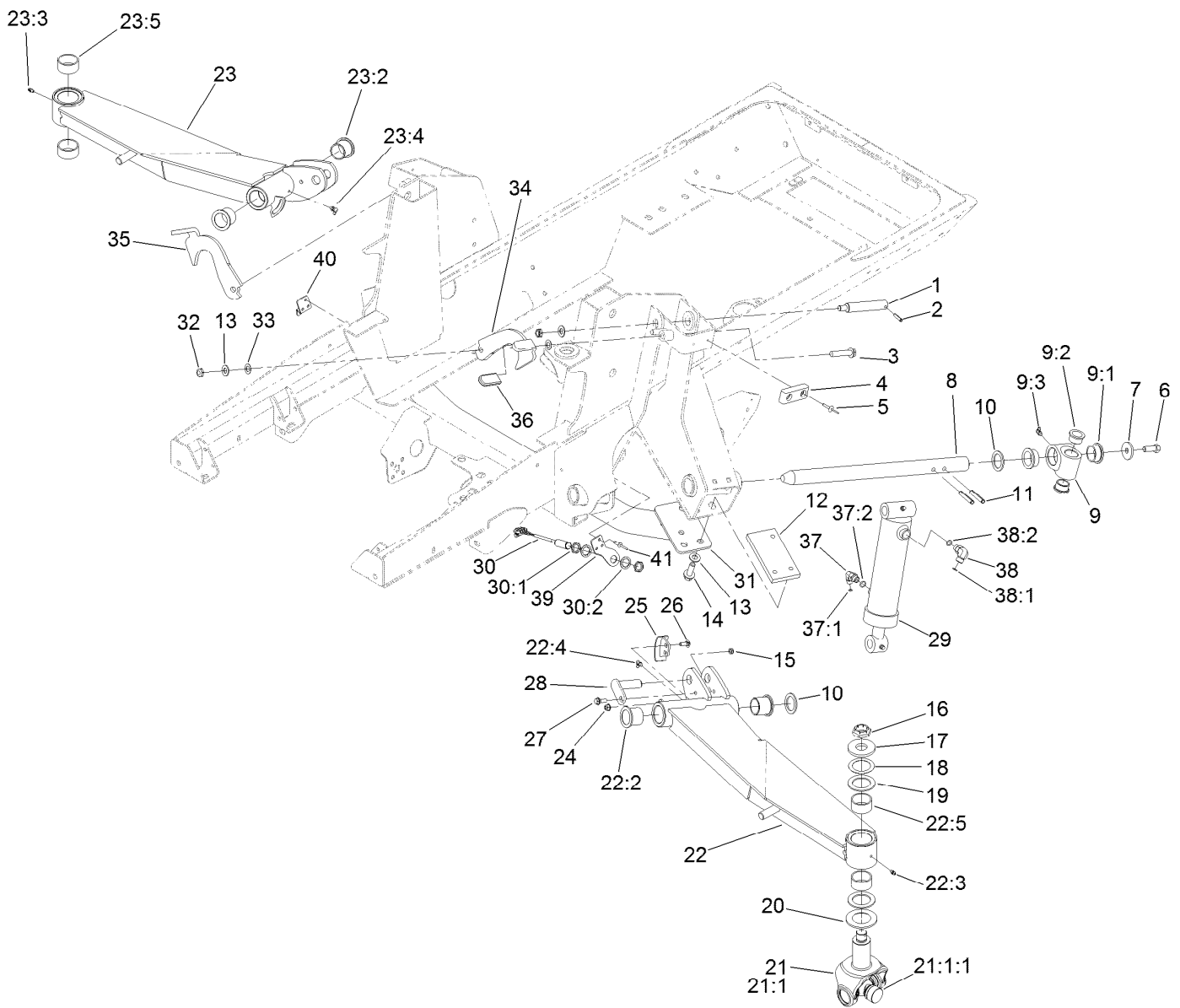
| <i>Ref.</i> | <i>Part Number</i> | <i>Qty.</i> | <i>Description</i> |
|-------------|--------------------|-------------|--------------------|
| 2           | 93-7977            | 1           | Seal               |
| 3           | 93-7978            | 1           | Rod-Pull           |
| 4           | 93-7983            | 2           | Pin-Clevis         |
| 5           | 93-7980            | 2           | Link               |
| 6           | 93-7979            | 2           | Pin-Hitch          |
| 7           | 93-7986            | 4           | Disc-Stationary    |
| 8           | 104-4278           | 3           | Disc-Rotating      |
| 9           | 93-7976            | 1           | Ring-Retaining     |
| 10          | 93-7984            | 1           | Gasket             |
| 11          | 104-4280           | 1           | Actuator-Rotating  |
| 12          | 93-7987            | 3           | Spring-Extension   |
| 13          | 93-7985            | 3           | Ball               |
| 14          | 353-990            | 2           | Plug ASM           |
| 14:1        | 237-78             | 1           | O-Ring             |





## Battery, Shield and Rear Cover Assembly

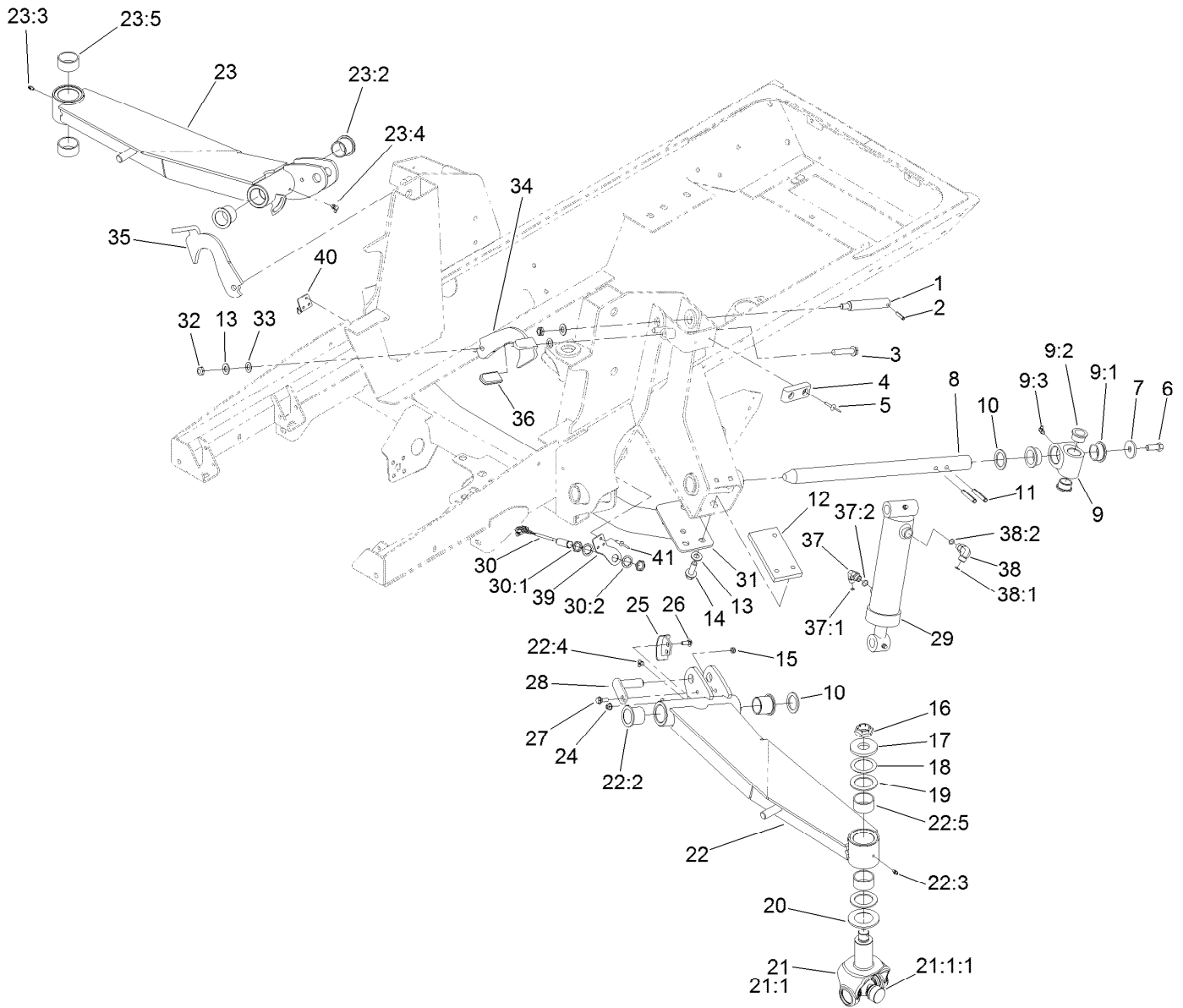
| <i>Ref.</i> | <i>Part Number</i> | <i>Qty.</i> | <i>Description</i> |
|-------------|--------------------|-------------|--------------------|
| 3           | 131-1246-03        | 1           | Plate-Cover        |
| 4           | 3256-3             | 2           | Washer-Flat        |
| 5           | 32104-6            | 2           | Screw-HH, TAP      |
| 11          | 3230-23            | 2           | Screw-CARR         |
| 12          | 121-1512-03        | 1           | Shield-Battery     |
| 13          | 104-8300           | 2           | Nut-HF, NI         |
| 14          | 3231-5             | 1           | Screw-CARR         |
| 15          | 138-6335           | 1           | Retainer-Battery   |
| 16          | 104-8301           | 1           | Nut-HF, NI         |
| 17          | 139-1005           | 1           | Battery Kit        |
| 17:1        | 127-7507           | 1           | Battery            |
| 17:2        | 139-1006           | 1           | Decal              |



## Wing Lift Arm Assembly

| Ref. | Part Number | Qty. | Description           | Ref.   | Part Number | Qty. | Description           |
|------|-------------|------|-----------------------|--------|-------------|------|-----------------------|
| 1    | 104-3537    | 2    | Pin-Cylinder          | 16     | 116-1399    | 2    | Locknut               |
| 2    | 32121-9     | 2    | Pin-Roll, Slotted     | 17     | 104-0719    | 2    | Washer-Hardened       |
| 3    | 3234-46     | 2    | Screw-HHF             | 18     | 114-5641    | 2    | Washer-Thrust         |
| 4    | 86-5350     | 2    | Bumper-Rubber         | 19     | 104-0721    | 4    | Washer-Thrust         |
| 5    | 3269-11     | 4    | Rivet-Pop             | 20     | 104-0720    | 2    | Spacer                |
| 6    | 325-5       | 2    | Screw-HH              | 21     | 114-5640-03 | 2    | Joint Yoke ASM        |
| 7    | 106-2008    | 2    | Washer-Thrust         | 21:1   |             | 1    | Yoke-Joint ●          |
| 8    | 121-3882    | 2    | Shaft-Pivot, Lift Arm | 21:1:1 | 104-4299    | 1    | Cross And Bearing Kit |
| 9    | 115-5468    | 2    | Pivot Hub ASM         | 22     | 132-6210    | 1    | LH Lift Arm ASM       |
| 9:1  | 115-5469    | 2    | Bushing-Flange        | 22:2   | 69-6470     | 2    | Bushing-Caster        |
| 9:2  | 114-5680    | 2    | Bushing-Flange        | 22:3   | 302-5       | 1    | Fitting-Grease        |
| 9:3  | 302-60      | 1    | Fitting-Grease        | 22:4   | 302-60      | 1    | Fitting-Grease        |
| 10   | 256-304     | 4    | Washer-Thrust         | 22:5   | 114-5596    | 2    | Bushing-Straight      |
| 11   | 117-5479    | 4    | Pin-Spring            | 23     | 132-6217    | 1    | RH Lift Arm ASM       |
| 12   | 120-8859-03 | 2    | Block-Tapped          | 23:2   | 69-6470     | 2    | Bushing-Caster        |
| 13   | 3256-26     | 10   | Washer-Flat           | 23:3   | 302-5       | 1    | Fitting-Grease        |
| 14   | 100-6116    | 6    | Screw-HHF             | 23:4   | 302-60      | 1    | Fitting-Grease        |
| 15   | 3296-47     | 2    | Nut-Lock, NI          | 23:5   | 114-5596    | 2    | Bushing-Straight      |

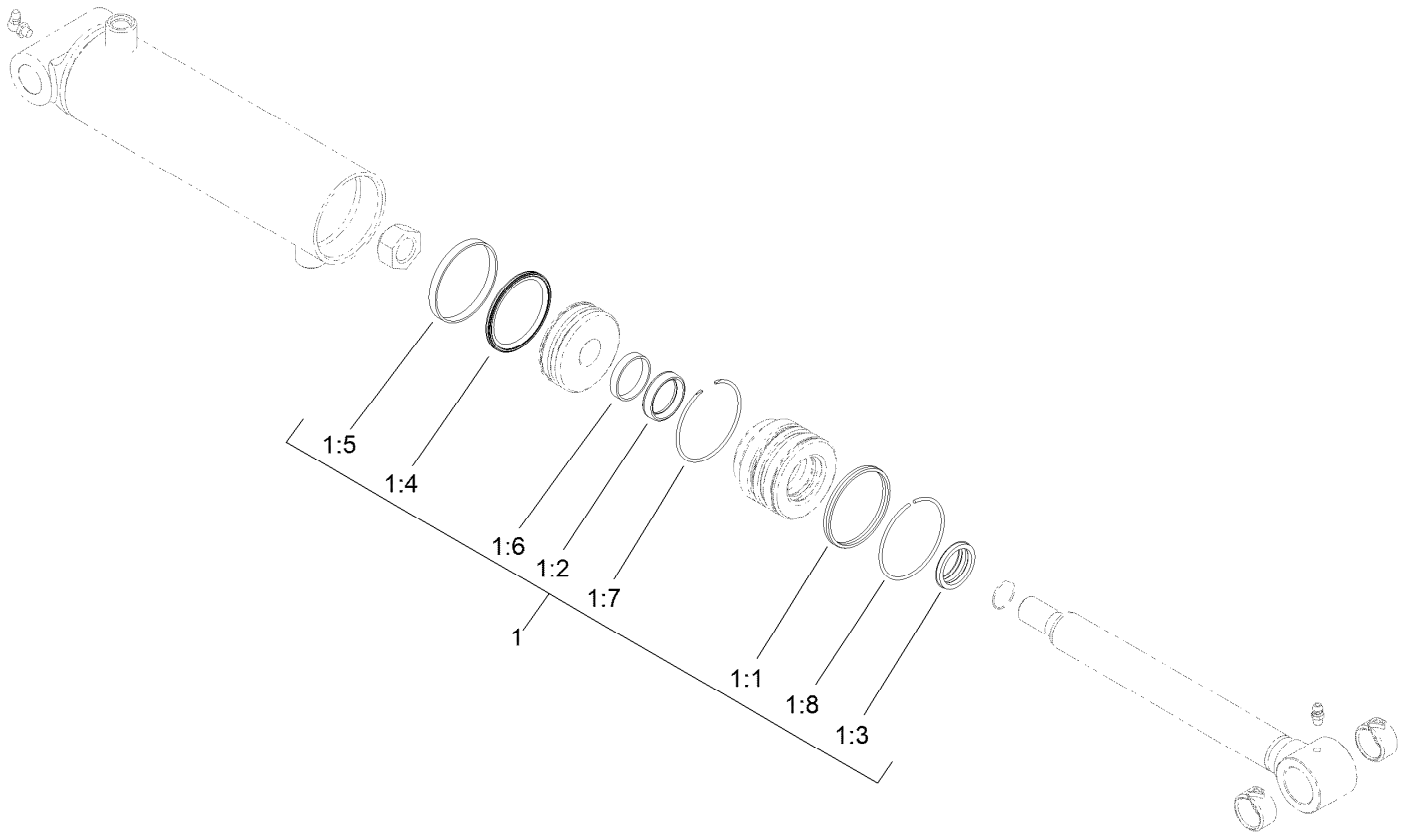
● Not serviced separately



## Wing Lift Arm Assembly (continued)

| Ref. | Part Number | Qty. | Description                 | Ref. | Part Number | Qty. | Description           |
|------|-------------|------|-----------------------------|------|-------------|------|-----------------------|
| 24   | 104-8300    | 4    | Nut-HF, NI                  | 34   | 136-4395-03 | 1    | Latch-Deck, LH        |
| 25   | 132-1429    | 2    | Sensor-Trigger              | 35   | 136-4394-03 | 1    | Latch-Deck, RH        |
| 26   | 3230-16     | 4    | Screw-CARR                  | 36   | 48-7081     | 2    | Grip-Plastic          |
| 27   | 27-0410     | 2    | Screw-Shoulder              | 37   | 340-82      | 2    | Fitting-Elbow, 90 DEG |
| 28   | 131-4305    | 2    | Pin                         | 37:1 | 237-42      | 1    | O-Ring                |
| 29   | 139-0956    | 2    | HYD Cylinder ASM            | 37:2 | 237-21      | 1    | O-Ring                |
| 30   | 115-5300    | 2    | Proximity Switch ASM        | 38   | 340-77      | 2    | Fitting-Elbow, 90 DEG |
| 30:1 | 117-3207    | 2    | Nut-Hex                     | 38:1 | 237-22      | 1    | O-Ring                |
| 30:2 | 117-3208    | 2    | Washer-Lock, Internal Tooth | 38:2 | 237-42      | 1    | O-Ring                |
| 31   | 120-9000-03 | 1    | Crossmember                 | 39   | 132-1421    | 1    | Plate-Pivot, LH       |
| 32   | 3296-45     | 4    | Nut-Hex                     | 40   | 132-1422    | 1    | Plate-Pivot, RH       |
| 33   | 104-3577    | 4    | Washer                      | 41   | 3290-412    | 6    | Rivet-Blind           |

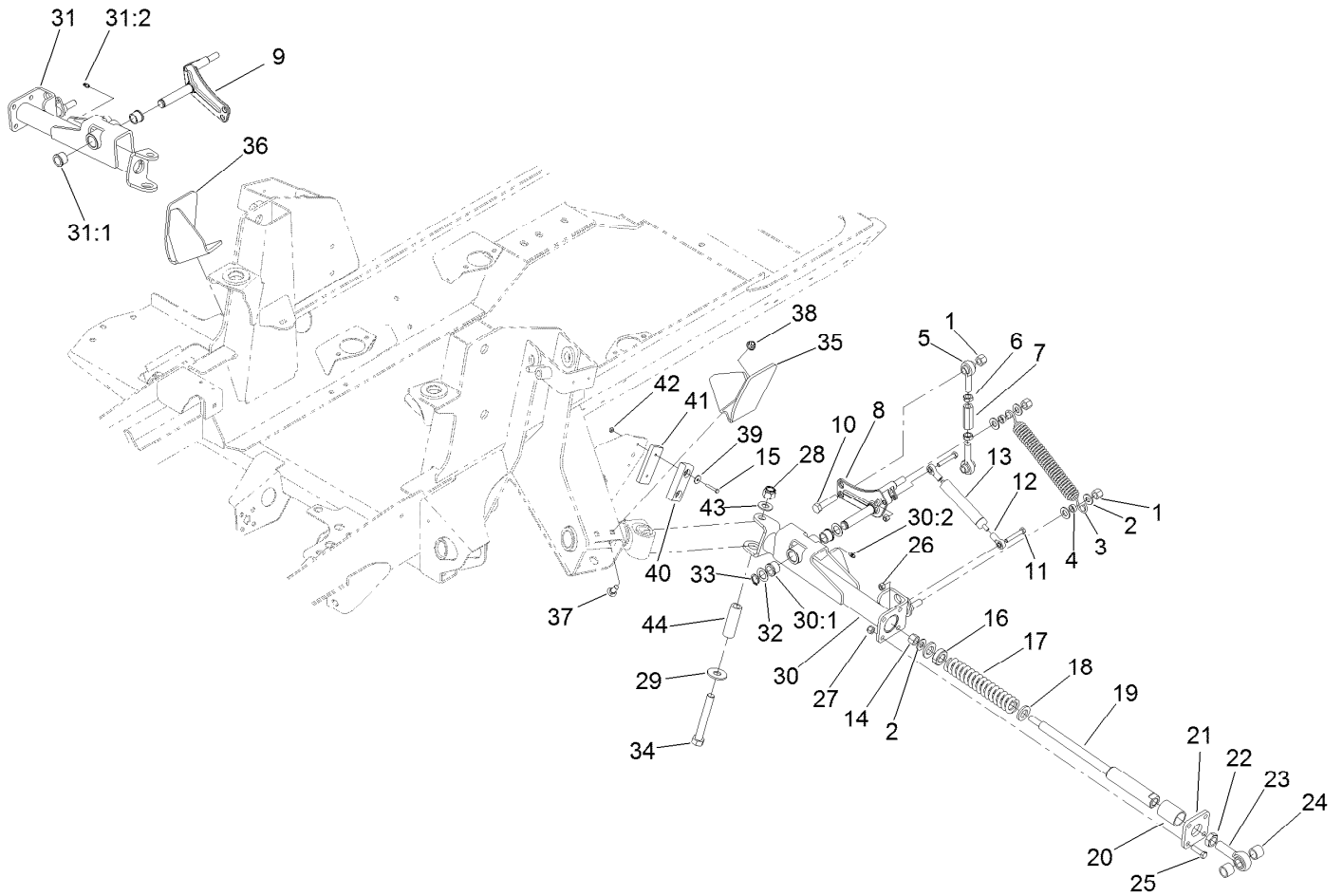
● Not serviced separately



## Hydraulic Cylinder Assembly No. 139-0956

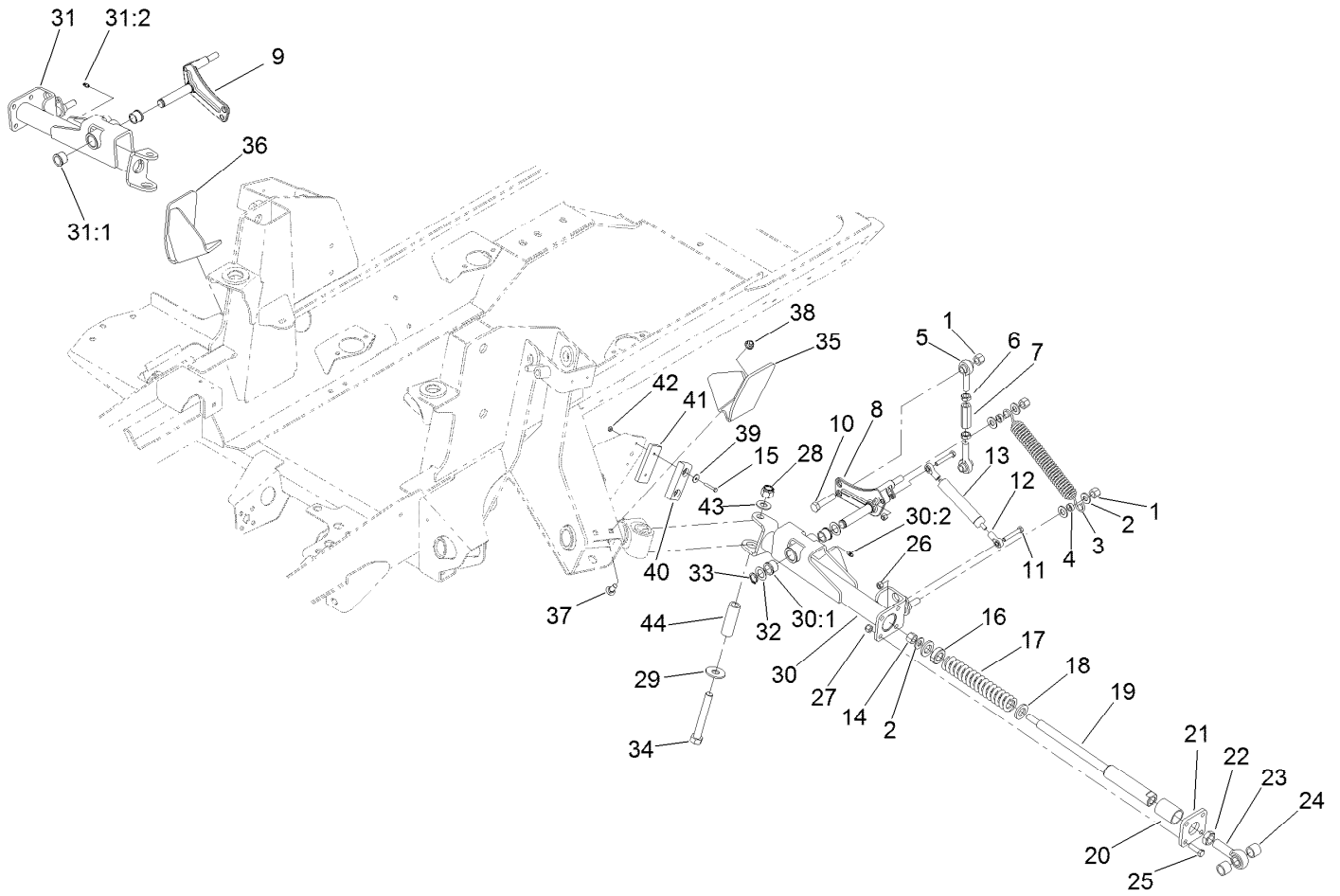
| <i>Ref.</i> | <i>Part Number</i> | <i>Qty.</i> | <i>Description</i>         |
|-------------|--------------------|-------------|----------------------------|
| 1           | 139-0994           | 1           | Seal Repair Kit            |
| 1:1         |                    | 1           | Seal-Dual ●                |
| 1:2         |                    | 1           | Seal-Rod ●                 |
| 1:3         |                    | 1           | Wiper-Rod ●                |
| 1:4         |                    | 1           | Seal-Piston ●              |
| 1:5         |                    | 1           | Ring-Wear, Piston ●        |
| 1:6         |                    | 1           | Ring-Wear, Rod ●           |
| 1:7         |                    | 1           | Ring-Retaining, Internal ● |
| 1:8         |                    | 1           | Ring-Retaining, External ● |

● Not serviced separately



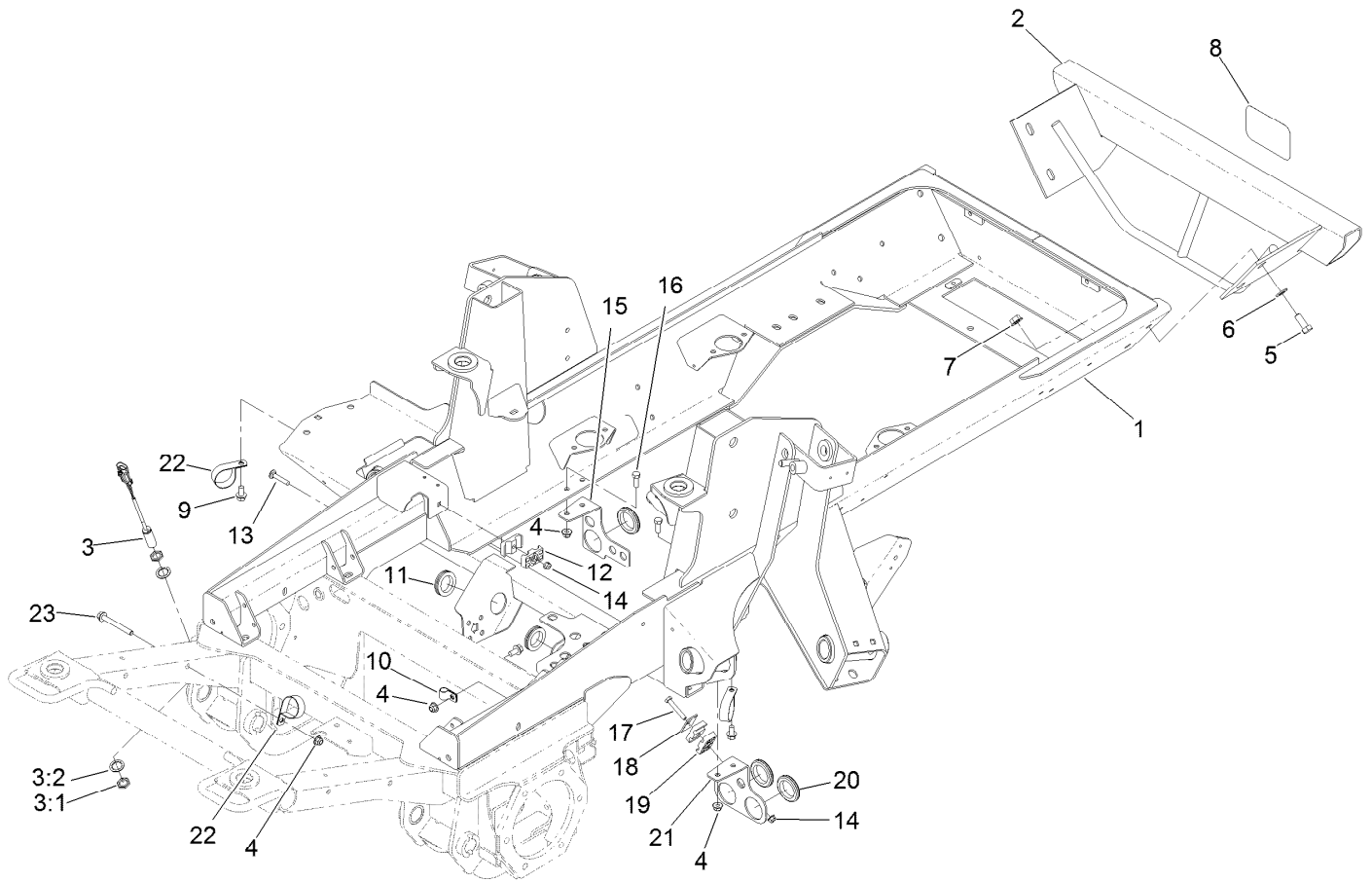
## Impact Arm Assembly

| Ref. | Part Number | Qty. | Description        | Ref. | Part Number | Qty. | Description        |
|------|-------------|------|--------------------|------|-------------|------|--------------------|
| 1    | 3296-23     | 6    | Nut-Lock, NI       | 22   | 3220-7      | 2    | Nut-Jam            |
| 2    | 3256-26     | 10   | Washer-Flat        | 23   | 105-2806    | 2    | End-Rod            |
| 3    | 104-7520    | 2    | Spring-Damper      | 24   | 136-0077    | 4    | Spacer             |
| 4    | 104-7521    | 4    | Bushing            | 25   | 323-7       | 8    | Screw-HH           |
| 5    | 105-2808    | 4    | End-Rod            | 26   | 3296-29     | 4    | Nut-Lock, NI       |
| 6    | 3220-5      | 4    | Nut-Jam            | 27   | 3296-39     | 8    | Nut-Lock, NI       |
| 7    | 105-2809    | 2    | Tube-Link          | 28   | 3296-53     | 2    | Nut-Lock, NI       |
| 8    | 114-2717    | 1    | Crank-Bell, LH     | 29   | 3256-7      | 2    | Washer-Flat        |
| 9    | 114-2716    | 1    | Crank-Bell, RH     | 30   | 120-8884    | 1    | LH Rear Arm ASM    |
| 10   | 325-9       | 2    | Screw-HH           | 30:1 | 256-113     | 2    | Bushing-Flange     |
| 11   | 322-10      | 4    | Screw-HH           | 30:2 | 302-5       | 1    | Fitting-Grease     |
| 12   | 104-8331    | 4    | End-Rod, Spherical | 31   | 120-8883    | 1    | RH Rear Arm ASM    |
| 13   | 105-3249    | 2    | Damper             | 31:1 | 256-113     | 2    | Bushing-Flange     |
| 14   | 3296-23     | 2    | Nut-Lock, NI       | 31:2 | 302-5       | 1    | Fitting-Grease     |
| 15   | 3290-360    | 4    | Screw-HH           | 32   | 3-6498      | 4    | Washer-Thrust      |
| 16   | 105-4552    | 2    | Bearing-Plastic    | 33   | 32120-93    | 2    | Ring-Retaining     |
| 17   | 100-8138    | 2    | Spring-Compression | 34   | 327-23      | 2    | Screw-HH           |
| 18   | 105-4551    | 4    | Washer-Flat        | 35   | 120-8856-03 | 1    | Bracket-Roller, LH |
| 19   | 105-4548    | 2    | Shaft-Spring       | 36   | 120-8874-03 | 1    | Bracket-Roller, RH |
| 20   | 105-4550    | 2    | Bushing-Straight   | 37   | 3231-2      | 4    | Bolt-CARR          |
| 21   | 105-2807-03 | 2    | Plate              | 38   | 104-8301    | 4    | Nut-HF, NI         |



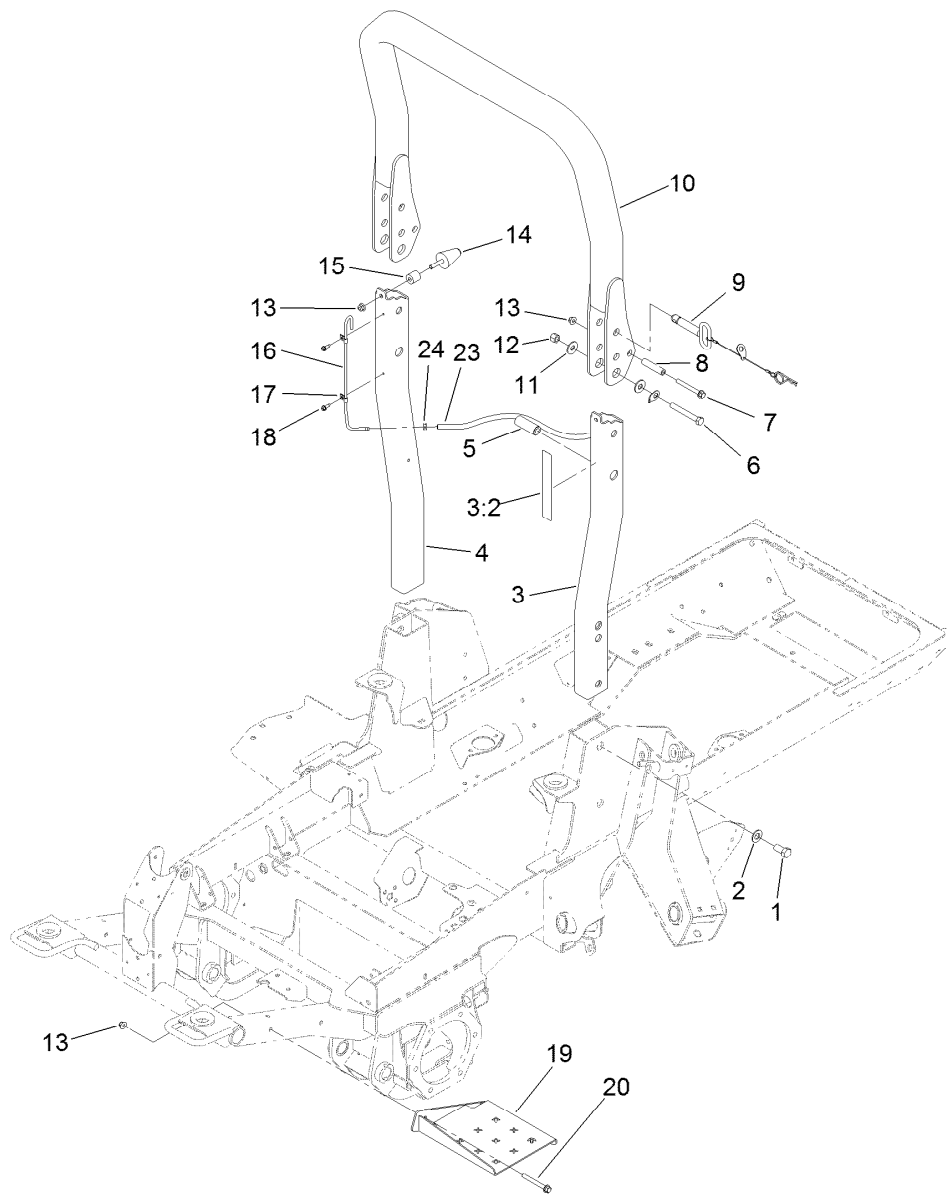
## Impact Arm Assembly (continued)

| <i>Ref.</i> | <i>Part Number</i> | <i>Qty.</i> | <i>Description</i> | <i>Ref.</i> | <i>Part Number</i> | <i>Qty.</i> | <i>Description</i> |
|-------------|--------------------|-------------|--------------------|-------------|--------------------|-------------|--------------------|
| 39          | 3256-61            | 4           | Washer-Flat        | 42          | 3296-2             | 4           | Nut-Lock, NI       |
| 40          | 86-5350            | 2           | Bumper-Rubber      | 43          | 3256-27            | 2           | Washer-Flat        |
| 41          | 119-8308-03        | 2           | Plate              | 44          | 94-6604            | 2           | Tube-Spacer        |



## Frame, Bumper and Proximity Sensor Assembly

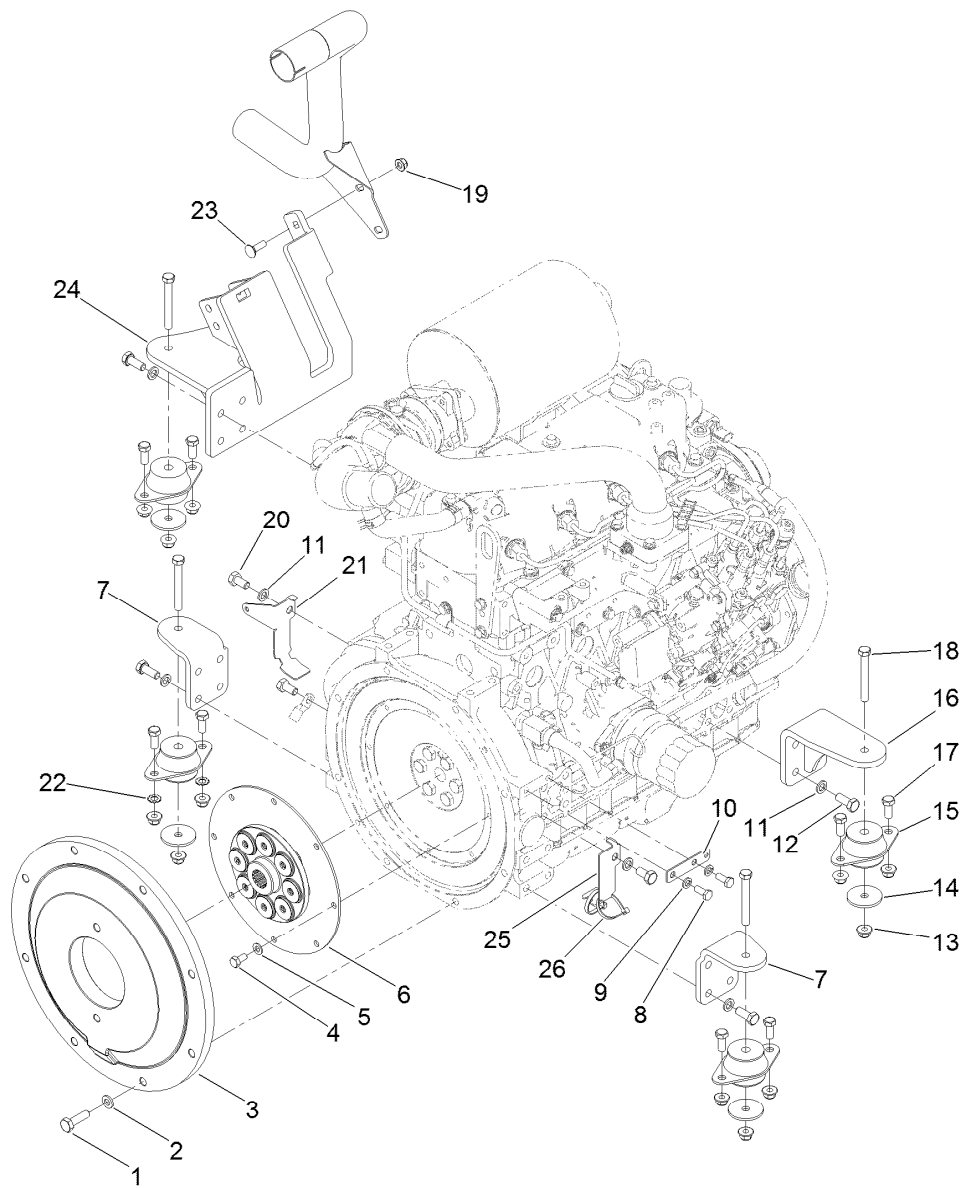
| <i>Ref.</i> | <i>Part Number</i> | <i>Qty.</i> | <i>Description</i>          | <i>Ref.</i> | <i>Part Number</i> | <i>Qty.</i> | <i>Description</i>         |
|-------------|--------------------|-------------|-----------------------------|-------------|--------------------|-------------|----------------------------|
| 1           | 120-4010-03        | 1           | Frame                       | 12          | 56-7971            | 2           | Clamp-Tube                 |
| 2           | 120-8919-03        | 1           | Bumper                      | 13          | 3230-5             | 1           | Bolt-CARR                  |
| 3           | 115-0282           | 1           | Proximity Sensor ASM        | 14          | 104-8300           | 2           | Nut-HF, NI                 |
| 3:1         | 117-3207           | 2           | Nut-Hex                     | 15          | 121-1508-03        | 1           | Bracket-Bulkhead           |
| 3:2         | 117-3208           | 2           | Washer-Lock, Internal Tooth | 16          | 323-6              | 4           | Screw-HH                   |
| 4           | 104-8301           | 6           | Nut-HF, NI                  | 17          | 322-10             | 1           | Screw-HH                   |
| 5           | 325-5              | 4           | Screw-HH                    | 18          | 69-9760            | 1           | Plate-Cover                |
| 6           | 3256-26            | 4           | Washer-Flat                 | 19          | 56-7976            | 2           | Clamp-Tube                 |
| 7           | 32128-23           | 4           | Nut-HF                      | 20          | 240-2              | 3           | Grommet-Rubber             |
| 8           | 105-8278           | 1           | Decal                       | 21          | 121-1481-03        | 1           | Plate-Mount, Bulkhead (LH) |
| 9           | 3234-1             | 3           | Screw-HHF                   | 22          | 2412-147           | 3           | Clamp-R                    |
| 10          | 2412-138           | 1           | R-Clamp                     | 23          | 3234-41            | 1           | Screw-HHF                  |
| 11          | 240-7              | 2           | Grommet-Rubber              |             |                    |             |                            |



## ROPS and Step Assembly

| <i>Ref.</i> | <i>Part Number</i> | <i>Qty.</i> | <i>Description</i> | <i>Ref.</i> | <i>Part Number</i> | <i>Qty.</i> | <i>Description</i>     |
|-------------|--------------------|-------------|--------------------|-------------|--------------------|-------------|------------------------|
| 1           | 121-1658           | 4           | Screw-HH           | 12          | 3296-23            | 2           | Nut-Lock, NI           |
| 2           | 3256-27            | 4           | Washer-Flat        | 13          | 104-8301           | 6           | Nut-HF, NI             |
| 3           | 121-1744           | 1           | Left ROPS ASM      | 14          | 121-1604           | 2           | Bumper-Rubber          |
| 3:2         | 120-8947           | 1           | Decal-Danger, ROPS | 15          | 61-2220            | 2           | Spacer                 |
| 4           | 121-1632-03        | 1           | ROPS-Lower, RH     | 16          | 121-1638           | 1           | Tube-Vent              |
| 5           | 121-1660           | 2           | Spacer             | 17          | 2412-72            | 2           | Clip-Closed, Insulated |
| 6           | 325-35             | 2           | Screw-HH           | 18          | 32104-95           | 2           | Screw-HWH              |
| 7           | 3234-41            | 2           | Screw-HHF          | 19          | 120-9020-03        | 1           | Step                   |
| 8           | 106-0877           | 2           | Spacer-Shield      | 20          | 3234-41            | 2           | Screw-HHF              |
| 9           | 121-1629           | 2           | ROPS Fold Pin ASM  | 23          | 110-5701           | 1           | Hose-Fuel              |
| 10          | 121-1642           | 1           | ROPS-Upper         | 24          | 2412-98            | 1           | Clamp-Hose             |
| 11          | 3256-6             | 4           | Washer-Flat        |             |                    |             |                        |

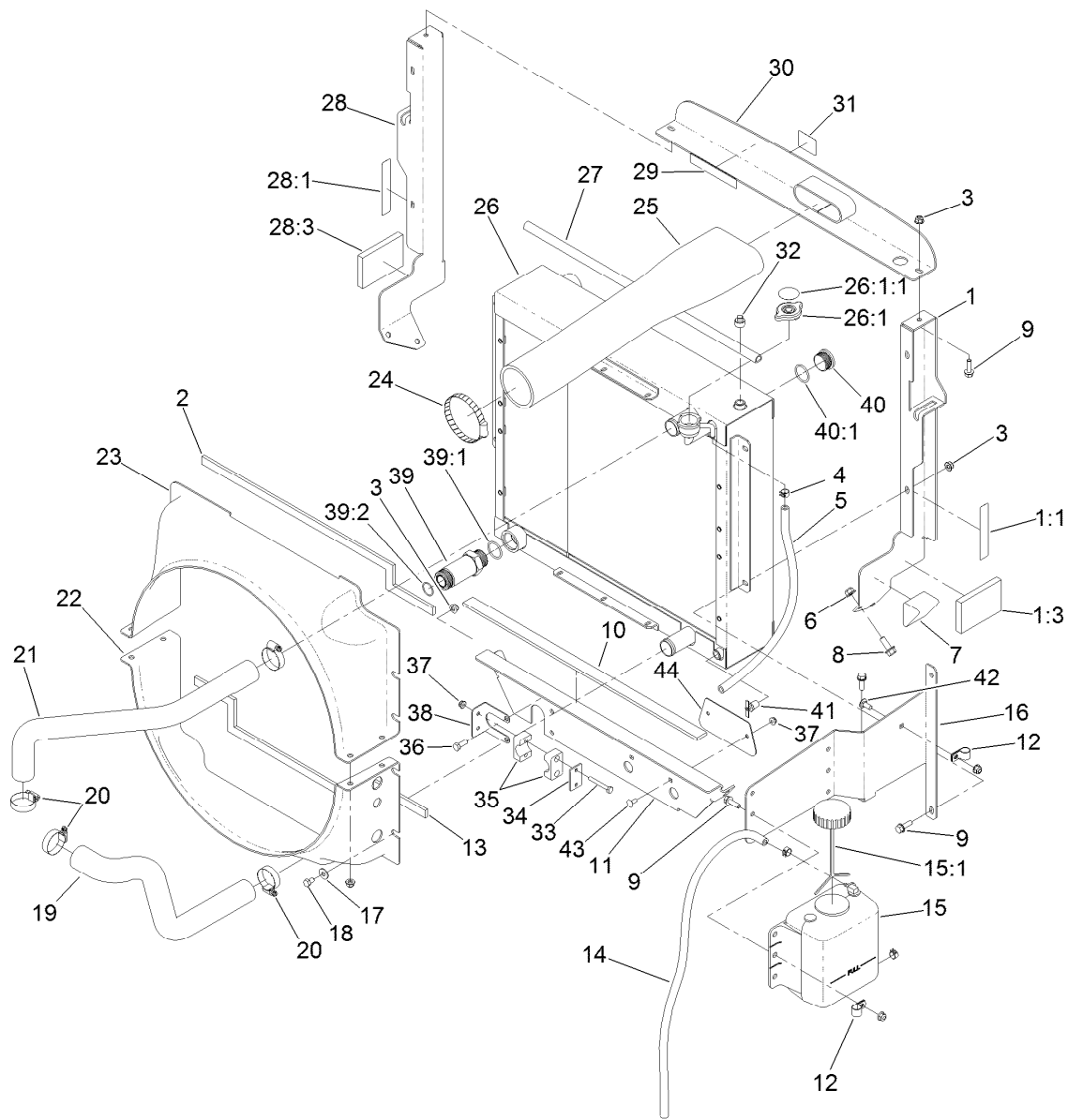




## Flywheel and Motor Mount Assembly

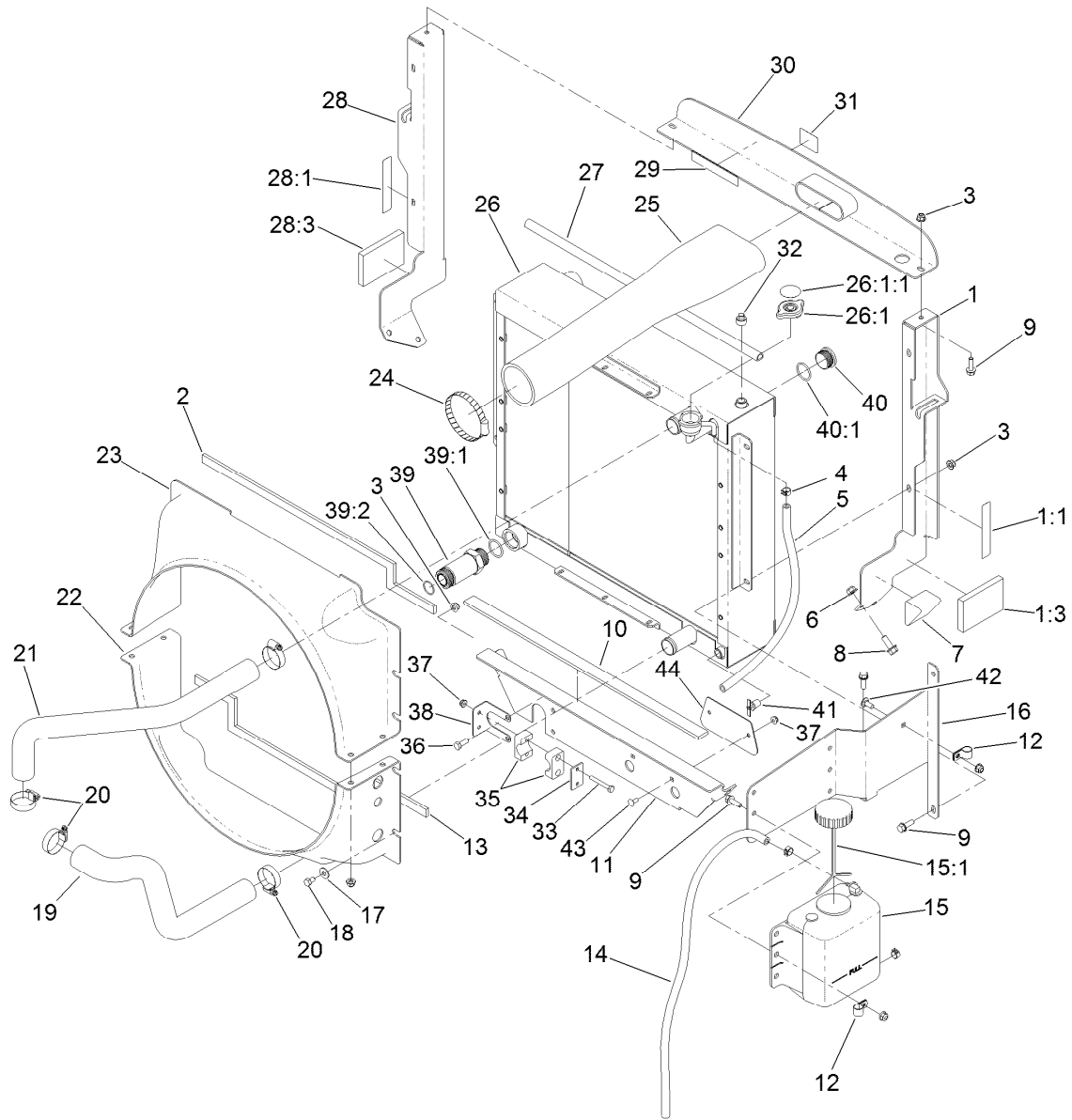
| <i>Ref.</i> | <i>Part Number</i> | <i>Qty.</i> | <i>Description</i> |
|-------------|--------------------|-------------|--------------------|
| 1           | 117-5663           | 8           | Screw-HH           |
| 2           | 107-1413           | 8           | Washer-Hardened    |
| 3           | 132-6120-03        | 1           | Plate-Flywheel     |
| 4           | 99-5132            | 8           | Bolt               |
| 5           | 87-7510            | 8           | Washer-Flat        |
| 6           | 132-6121           | 1           | Coupling-Flywheel  |
| 7           | 120-4066-03        | 2           | Mount-Motor, Front |
| 8           | 33114-020          | 2           | Screw-HH           |
| 9           | 3253-4             | 2           | Washer-Lock        |
| 10          | 121-5636           | 1           | Tab-Harness        |
| 11          | 48-9590            | 18          | Washer-Lock        |
| 12          | 33115-025          | 16          | Screw-HH           |
| 13          | 104-8301           | 12          | Nut-HF, NI         |

| <i>Ref.</i> | <i>Part Number</i> | <i>Qty.</i> | <i>Description</i>  |
|-------------|--------------------|-------------|---------------------|
| 14          | 63-7400            | 4           | Washer-Rebound      |
| 15          | 53-9682            | 4           | Mount-Engine        |
| 16          | 120-4068-03        | 1           | Mount-Motor         |
| 17          | 323-5              | 8           | Screw-HH            |
| 18          | 323-14             | 4           | Screw-HH            |
| 19          | 104-8300           | 2           | Nut-HF, NI          |
| 20          | 33115-020          | 3           | Screw-HH            |
| 21          | 139-0992           | 1           | Bracket-Harness, RH |
| 22          | 3255-9             | 2           | Washer-Lock         |
| 23          | 3230-2             | 2           | Bolt-CARR           |
| 24          | 127-3722-03        | 1           | Mount-Motor         |
| 25          | 139-0993           | 1           | Bracket-Harness, LH |
| 26          | 3290-378           | 2           | Tie-Cable           |



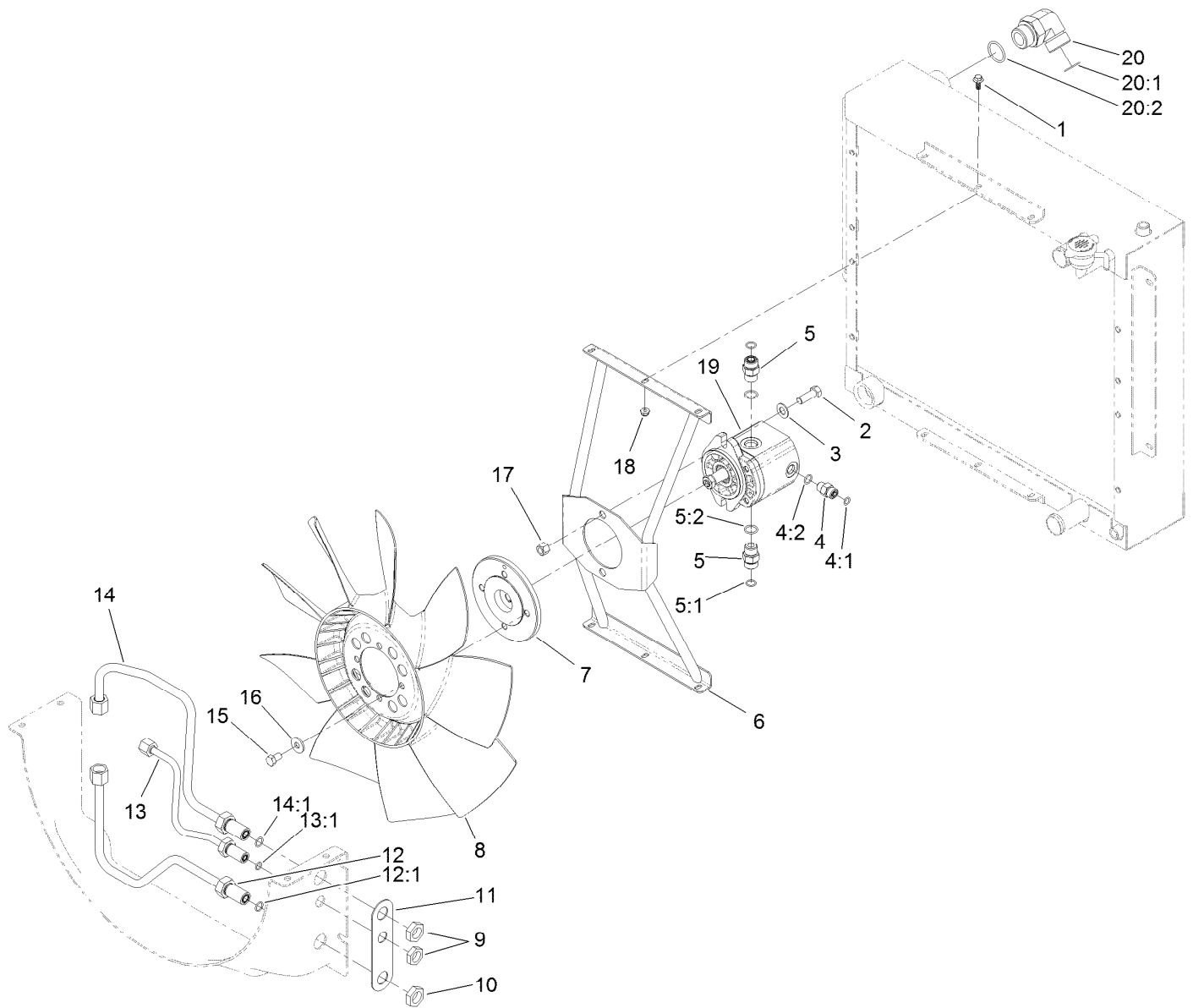
## Radiator Assembly

| Ref. | Part Number | Qty. | Description             | Ref.   | Part Number | Qty. | Description             |
|------|-------------|------|-------------------------|--------|-------------|------|-------------------------|
| 1    | 121-1479    | 1    | LH Radiator Support ASM | 19     | 121-1746    | 1    | Hose-Radiator, Lower    |
| 1:1  | 93-7272     | 1    | Decal-Warning           | 20     | 2412-111    | 4    | Clamp                   |
| 1:3  | 100-2196    | 1    | Pad-Foam                | 21     | 121-1747    | 1    | Hose-Radiator, Upper    |
| 2    | 121-1684    | 1    | Foam-Radiator           | 22     | 121-1517    | 1    | Shroud-Radiator, Lower  |
| 3    | 104-8300    | 15   | Nut-HF, NI              | 23     | 121-1515    | 1    | Shroud-Radiator, Upper  |
| 4    | 92-2379     | 3    | Clamp-Hose              | 24     | 2412-110    | 1    | Clamp-Band/Screw        |
| 5    | 110-4112    | 1    | Hose-Fuel               | 25     | 121-1474    | 1    | Hose-Inlet, Air Cleaner |
| 6    | 104-8301    | 6    | Nut-HF, NI              | 26     | 132-6161    | 1    | Radiator/Oil Cooler     |
| 7    | 93-5954     | 2    | Plug-Foam               | 26:1   | 115-7766    | 1    | Cap-Radiator            |
| 8    | 3234-11     | 6    | Screw-HHF               | 26:1:1 | 106-6755    | 1    | Decal-Cap, Radiator     |
| 9    | 3234-29     | 12   | Screw-HHF               | 27     | 114-3828    | 1    | Seal-Bulb               |
| 10   | 104-2226    | 1    | Strip-Foam              | 28     | 121-1478    | 1    | RH Radiator Support ASM |
| 11   | 139-0952-03 | 1    | Support-Radiator        | 28:1   | 93-7272     | 1    | Decal-Warning           |
| 12   | 92-6064     | 2    | Clamp-R                 | 28:3   | 100-2196    | 1    | Pad-Foam                |
| 13   | 121-1685    | 1    | Foam-Radiator, Lower    | 29     | 93-7272     | 1    | Decal-Warning           |
| 14   | 110-9662    | 1    | Hose-Fuel               | 30     | 136-4364-03 | 1    | Bracket-Intake          |
| 15   | 120-5571    | 1    | Coolant Reservoir ASM   | 31     | 117-4765    | 1    | Decal-Starting Fluid    |
| 15:1 | 87-7050     | 1    | Cap-Reservoir           | 32     | 281-13      | 1    | Plug-Pipe               |
| 16   | 130-0603-03 | 1    | Bracket-Mount, Bottle   | 33     | 321-11      | 2    | Screw-HH                |
| 17   | 3256-3      | 8    | Washer-Flat             | 34     | 114-4902    | 1    | Plate-Cover             |
| 18   | 322-1       | 8    | Screw-HH                | 35     | 114-4901    | 1    | Clamp                   |



## Radiator Assembly (continued)

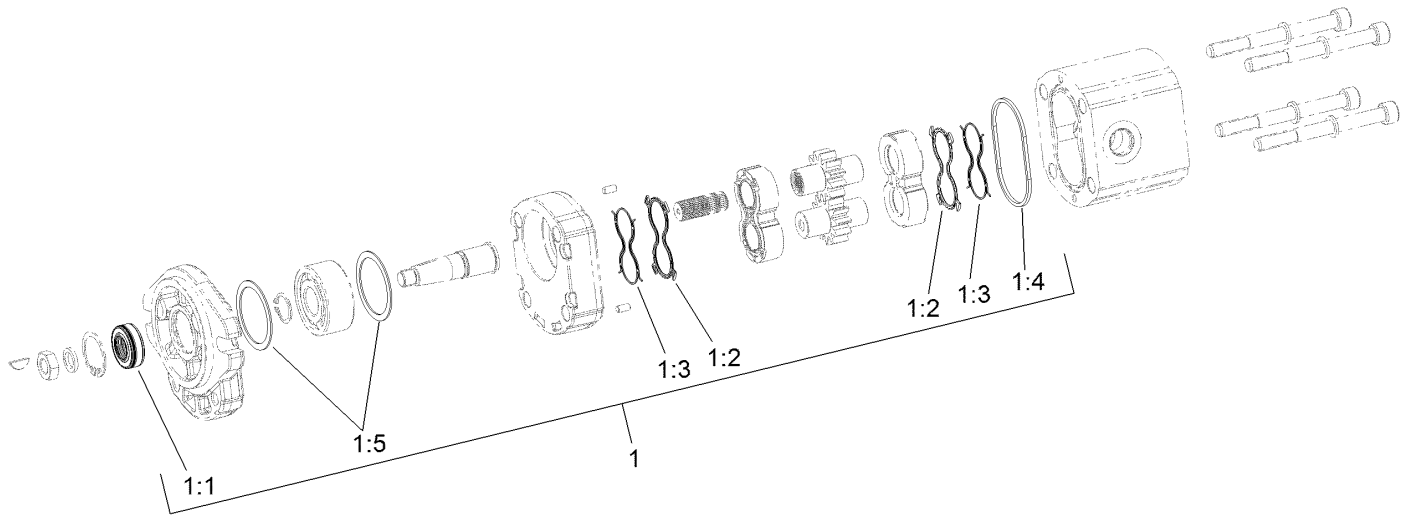
| <i>Ref.</i> | <i>Part Number</i> | <i>Qty.</i> | <i>Description</i> | <i>Ref.</i> | <i>Part Number</i> | <i>Qty.</i> | <i>Description</i> |
|-------------|--------------------|-------------|--------------------|-------------|--------------------|-------------|--------------------|
| 36          | 322-4              | 2           | Screw-HH           | 40          | 106-2030           | 1           | Plug-Hex, Hollow   |
| 37          | 104-7201           | 4           | Nut-HF             | 40:1        | 237-146            | 1           | O-Ring             |
| 38          | 120-8984           | 1           | Bracket-Clamp      | 41          | 304-46             | 1           | Draincock          |
| 39          | 100-5565           | 1           | Fitting-STR        | 42          | 3230-23            | 1           | Screw-CARR         |
| 39:1        | 237-146            | 1           | O-Ring             | 43          | 3229-11            | 2           | Screw-CARR         |
| 39:2        | 340-65             | 1           | O-Ring             | 44          | 139-0989-03        | 1           | Plate              |



## Fan Mounting and Hardline Assembly

| Ref. | Part Number | Qty. | Description      |
|------|-------------|------|------------------|
| 1    | 99-6810     | 6    | Screw-HHF        |
| 2    | 324-5       | 2    | Screw-HH         |
| 3    | 3256-25     | 2    | Washer-Flat      |
| 4    | 340-2       | 1    | Fitting-Straight |
| 4:1  | 237-22      | 1    | O-Ring           |
| 4:2  | 237-42      | 1    | O-Ring           |
| 5    | 340-4       | 2    | Fitting-Straight |
| 5:1  | 237-30      | 1    | O-Ring           |
| 5:2  | 237-79      | 1    | O-Ring           |
| 6    | 137-5594    | 1    | Mount-Fan        |
| 7    | 117-2364    | 1    | Hub-Fan          |
| 8    | 114-3825    | 1    | Fan              |
| 9    | 340-70      | 1    | Nut-Lock         |
| 10   | 340-127     | 2    | Nut-Bulkhead     |
| 11   | 121-1518    | 1    | Shim-Support     |

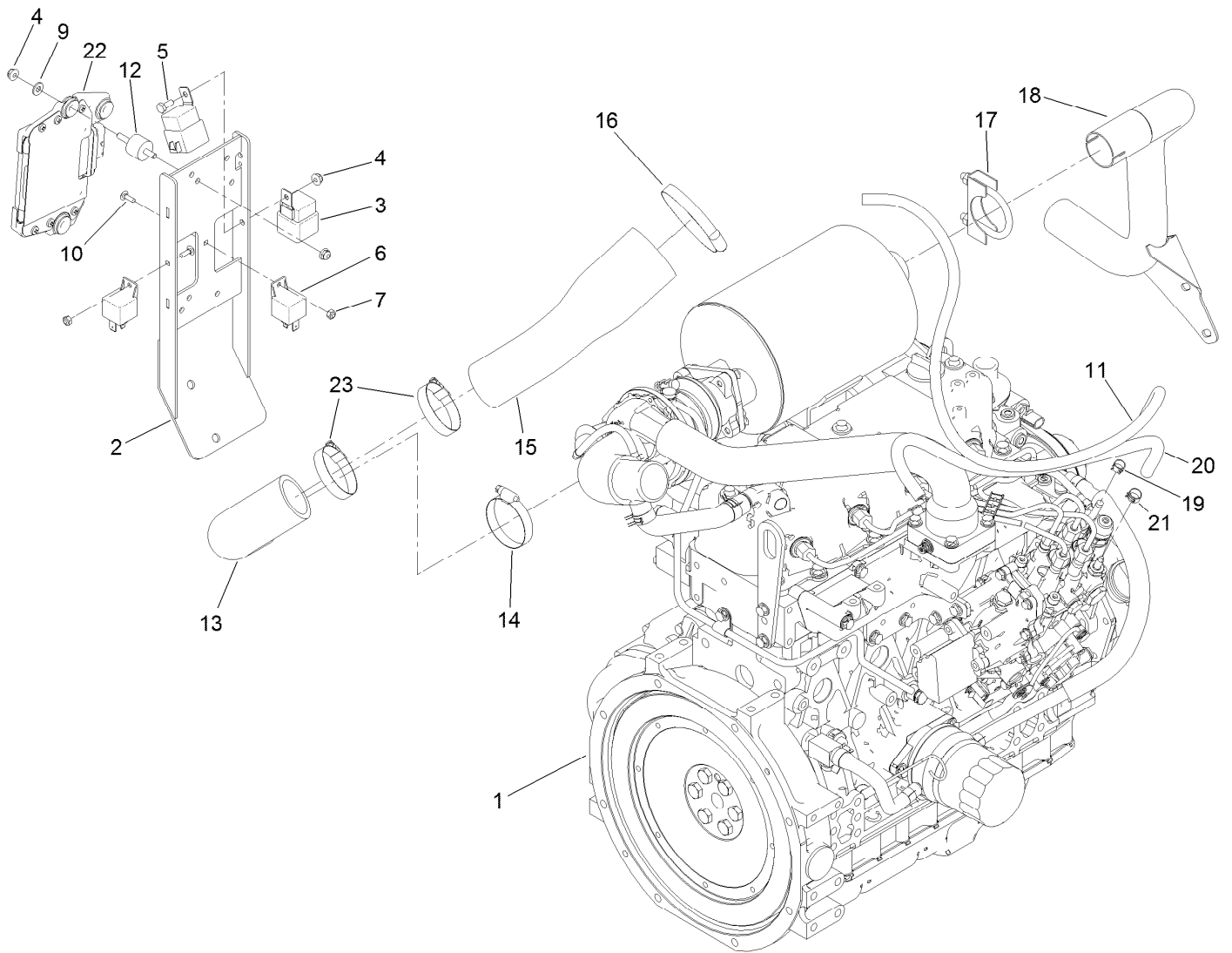
| Ref. | Part Number | Qty. | Description           |
|------|-------------|------|-----------------------|
| 12   | 137-5554    | 1    | Tube ASM              |
| 12:1 | 237-30      | 1    | O-Ring                |
| 13   | 137-5555    | 1    | Tube ASM              |
| 13:1 | 237-22      | 1    | O-Ring                |
| 14   | 137-5553    | 1    | Tube ASM              |
| 14:1 | 237-30      | 1    | O-Ring                |
| 15   | 115-8486    | 4    | Screw-HH              |
| 16   | 80-6990     | 4    | Washer-Hardened       |
| 17   | 3296-48     | 2    | Nut-Hex               |
| 18   | 104-7201    | 6    | Nut-HF                |
| 19   | 137-5571    | 1    | Hydraulic Motor ASM   |
| 20   | 340-129     | 1    | Fitting-Elbow, 90 DEG |
| 20:1 | 237-146     | 1    | O-Ring                |
| 20:2 | 340-65      | 1    | O-Ring                |



## Hydraulic Motor Assembly No. 137-5571

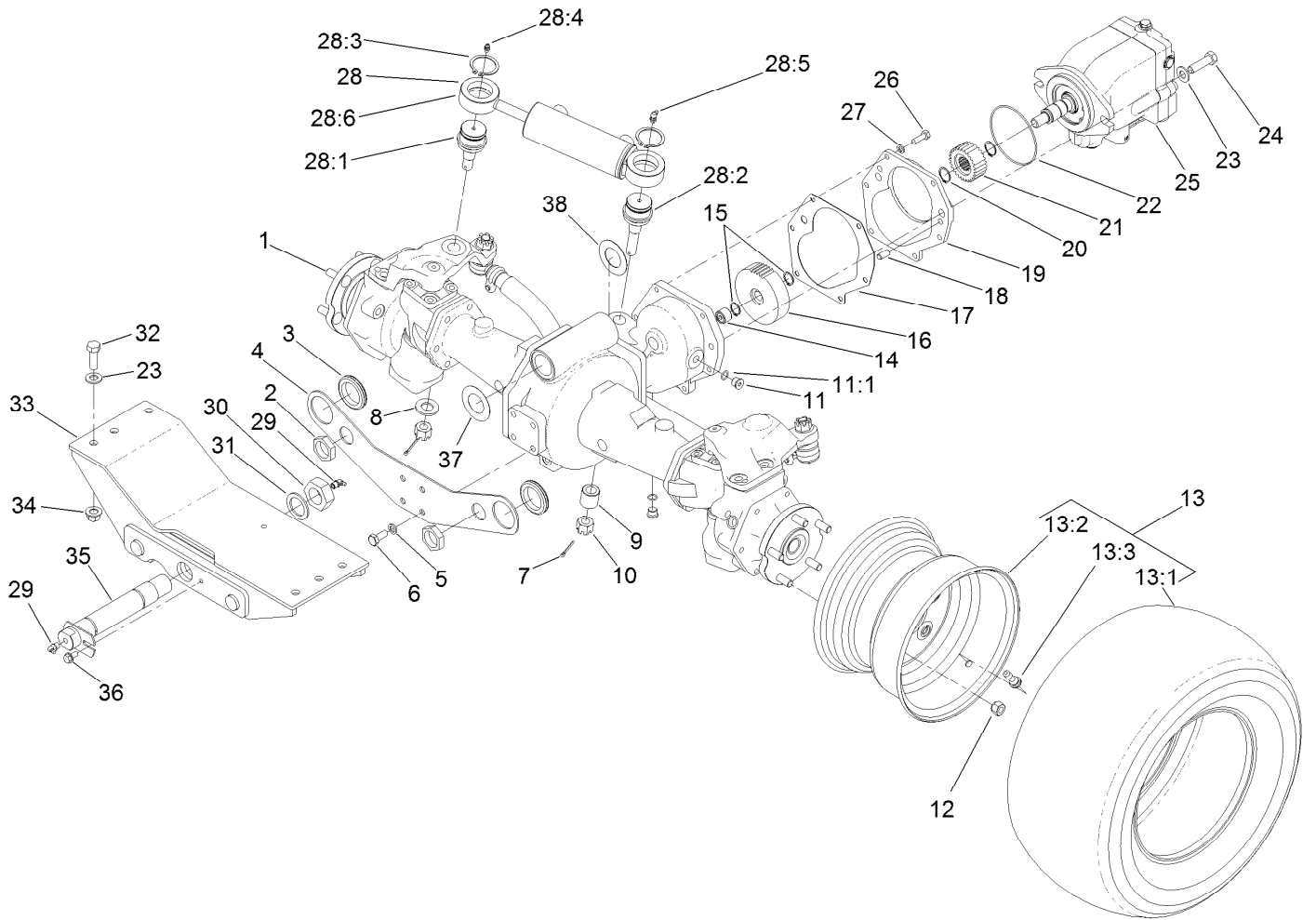
| <i>Ref.</i> | <i>Part Number</i> | <i>Qty.</i> | <i>Description</i>      |
|-------------|--------------------|-------------|-------------------------|
| 1           | 139-1019           | 1           | Seal Kit                |
| 1:1         |                    | 1           | Seal-Shaft ●            |
| 1:2         |                    | 2           | Seal-Plate, Balancing ● |
| 1:3         |                    | 2           | Seal-Anti Extrusion ●   |
| 1:4         |                    | 1           | O-Ring (Housing) ●      |
| 1:5         |                    | 2           | Seal-Square ●           |

● Not serviced separately



## Engine, Intake and Exhaust Assembly

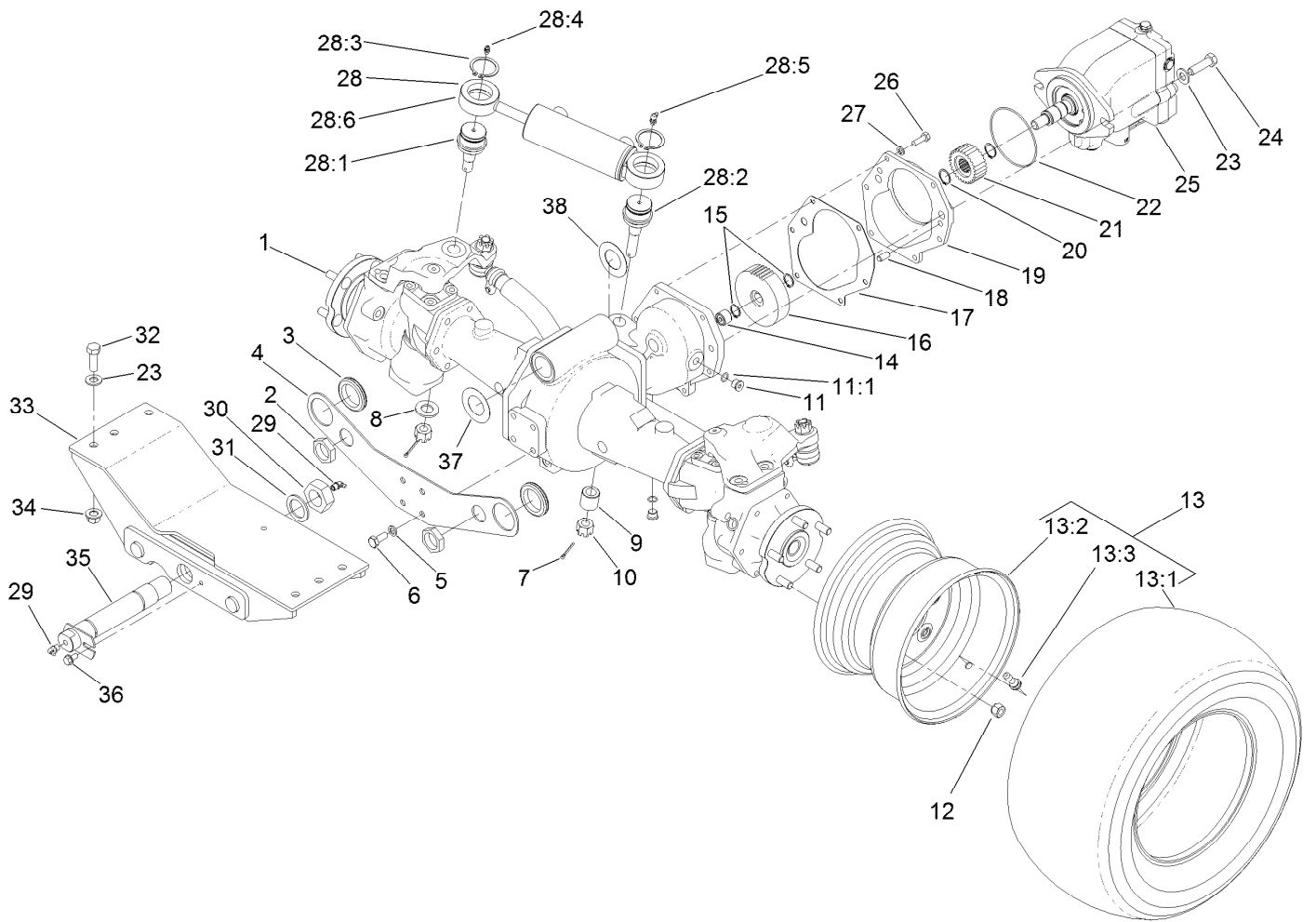
| <i>Ref.</i> | <i>Part Number</i> | <i>Qty.</i> | <i>Description</i> | <i>Ref.</i> | <i>Part Number</i> | <i>Qty.</i> | <i>Description</i>       |
|-------------|--------------------|-------------|--------------------|-------------|--------------------|-------------|--------------------------|
| 1           | 138-6918           | 1           | Engine-Yanmar      | 13          | 121-1589           | 1           | Hose-Outlet, Air Cleaner |
| 2           | 136-4430-03        | 1           | Mount-Controller   | 14          | 2412-130           | 1           | Clamp-Hose               |
| 3           | 99-7430            | 2           | Relay-Mini         | 15          | 121-1590           | 1           | Hose-Outlet, Air Cleaner |
| 4           | 104-7201           | 7           | Nut-HF             | 16          | 2412-110           | 1           | Clamp-Band/Screw         |
| 5           | 321-3              | 1           | Screw-HH           | 17          | 18-2130            | 1           | Clamp                    |
| 6           | 99-7435            | 2           | Relay              | 18          | 121-1616           | 1           | Pipe-Exhaust             |
| 7           | 3296-2             | 2           | Nut-Lock, NI       | 19          | 2412-98            | 1           | Clamp-Hose               |
| 9           | 3256-22            | 3           | Washer-Flat        | 20          | 108-3284           | 1           | Hose-Fuel                |
| 10          | 1-807533           | 2           | Bolt-CARR          | 21          | 92-2379            | 1           | Clamp-Hose               |
| 11          | 110-5702           | 1           | Hose-Fuel          | 22          | 135-4281           | 1           | Ecu                      |
| 12          | 132-1356           | 3           | Mount-Isolator     | 23          | 2412-130           | 2           | Clamp-Hose               |



## Rear Axle and Steering Cylinder Assembly

| Ref. | Part Number | Qty. | Description            | Ref. | Part Number | Qty. | Description              |
|------|-------------|------|------------------------|------|-------------|------|--------------------------|
| 1    | 110-4750    | 1    | Drive Axle ASM         | 15   | 32120-15    | 2    | Ring-Snap, EXT           |
| 2    | 340-126     | 2    | Nut-Bulkhead           | 16   | 100-3053    | 1    | Gear-45 Tooth            |
| 3    | 240-2       | 2    | Grommet-Rubber         | 17   | 106-1140    | 1    | Gasket                   |
| 4    | 120-9069-03 | 1    | Plate-Mount, Bulkhead  | 18   | 104-2353    | 2    | Pin-Dowel                |
| 5    | 43-0090     | 4    | Screw-HH               | 19   | 95-7541     | 1    | Plate-Cover              |
| 6    | 48-9590     | 4    | Washer-Lock            | 20   | 32120-76    | 2    | Ring-Snap, EXT           |
| 7    | 3272-12     | 2    | Pin-Cotter             | 21   | 104-0755    | 1    | Pinion-27 Tooth          |
| 8    | 92-5836     | 1    | Washer                 | 22   | 237-166     | 1    | O-Ring                   |
| 9    | 100-3796    | 1    | Spacer-Joint, Ball     | 23   | 3256-26     | 8    | Washer-Flat              |
| 10   | 32136-14    | 2    | Nut-Hst                | 24   | 325-7       | 2    | Screw-HH                 |
| 11   | 353-989     | 2    | Plug-Hex, Hollow       | 25   | 120-8814    | 1    | HYD Motor ASM            |
| 11:1 | 237-42      | 1    | O-Ring                 | 26   | 33114-025   | 6    | Screw-HH                 |
| 12   | 93-5268     | 10   | Nut-Lug                | 27   | 3253-4      | 6    | Washer-Lock              |
| 13   |             | 2    | Tire And Wheel ASM ●   | 28   | 121-1535    | 1    | Steering Cylinder ASM    |
| 13:1 | 120-8910    | 1    | Tire-Off Road          | 28:1 | 106-6774    | 1    | Joint-Ball               |
| 13:2 | 120-8909    | 1    | Rim                    | 28:2 | 100-3795    | 1    | Joint-Ball               |
| 13:3 | 232-27      | 1    | Stem-Valve             | 28:3 | 32151-104   | 2    | Ring-Retaining, External |
| 14   | 74-5700     | 1    | Bearing-Needle, Roller | 28:4 | 302-5       | 1    | Fitting-Grease           |

● Not serviced separately

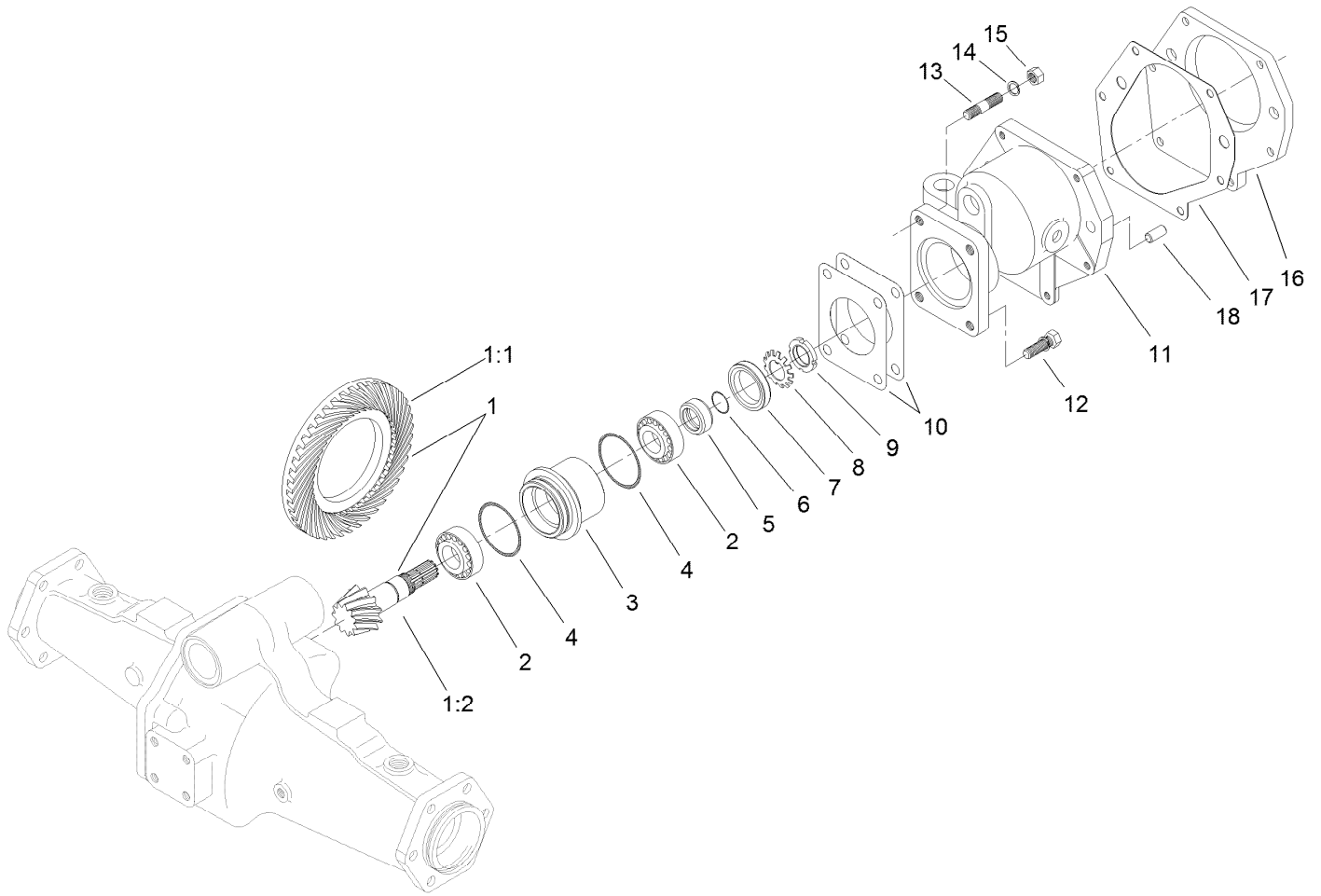


## Rear Axle and Steering Cylinder Assembly (continued)

| <i>Ref.</i> | <i>Part Number</i> | <i>Qty.</i> | <i>Description</i>        | <i>Ref.</i> | <i>Part Number</i> | <i>Qty.</i> | <i>Description</i> |
|-------------|--------------------|-------------|---------------------------|-------------|--------------------|-------------|--------------------|
| 28:5        | 302-60             | 1           | Fitting-Grease            | 33          | 130-2744-03        | 1           | Mount-Rear         |
| 28:6        | 121-1534           | 1           | HYD Steering Cylinder ASM | 34          | 99-5107            | 6           | Nut-Lock           |
| 29          | 302-33             | 2           | Fitting-Grease            | 35          | 98-7077            | 1           | Pin-Axle, Rear     |
| 30          | 3296-68            | 1           | Nut-Lock, NI              | 36          | 32144-14           | 1           | Screw-HWHTF        |
| 31          | 92-1765            | 1           | Washer-Thrust             | 37          | 99-8431            | 2           | Washer-Thrust      |
| 32          | 325-6              | 6           | Screw-HH                  | 38          | 99-8432            | 2           | Washer-Thrust      |

● Not serviced separately

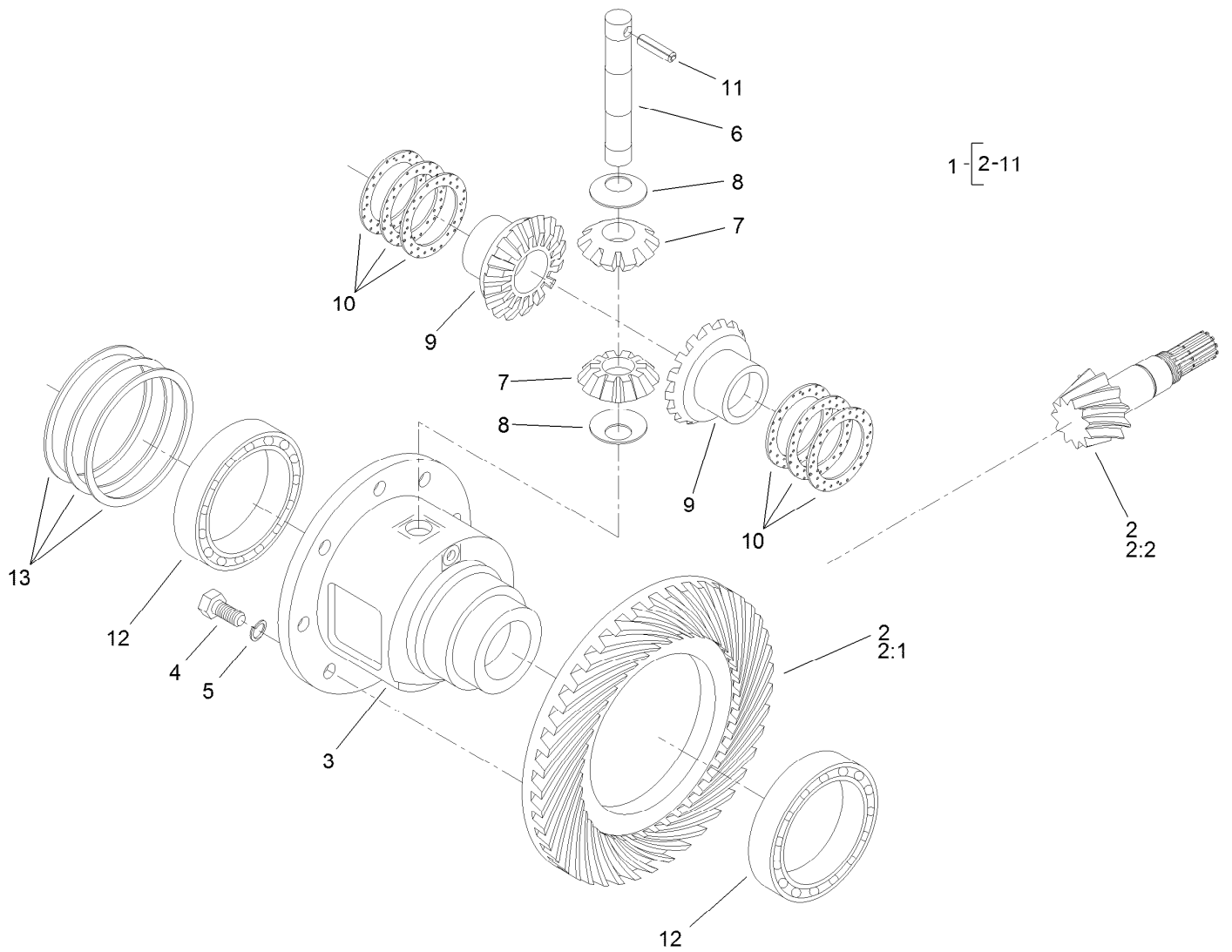




## Bevel Pinion Shaft Assembly Rear Axle Assembly No. 110-4750

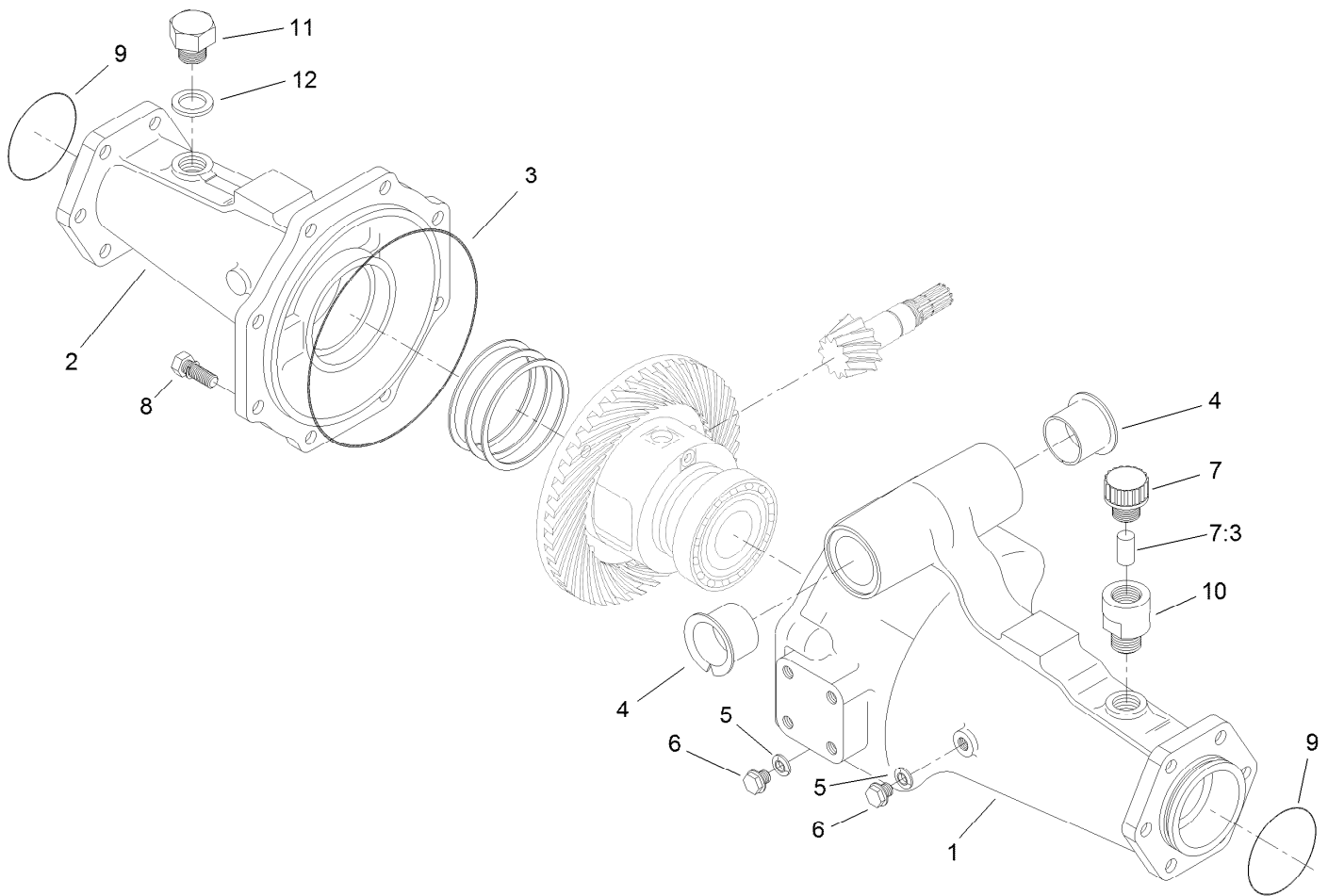
| <i>Ref.</i> | <i>Part Number</i> | <i>Qty.</i> | <i>Description</i>          |
|-------------|--------------------|-------------|-----------------------------|
| 1           | 106-1093           | 1           | Ring And Pinion Set         |
| 1:1         | 95-7504            | 1           | Gear-43 Tooth, Bevel Spiral |
| 1:2         | 106-1092           | 1           | Pinion-Spiral, Bevel        |
| 2           | 99-7570            | 2           | Bearing-Roller, Taper       |
| 3           | 95-7534            | 1           | Case-Bearing                |
| 4           | 106-1065           | 2           | O-Ring                      |
| 5           | 99-7572            | 1           | Collar-Seal, Oil            |
| 6           | 106-1066           | 1           | O-Ring                      |
| 7           | 99-7574            | 1           | Seal-Oil                    |
| 8           | 99-7559            | 1           | Washer-Lock                 |
| 9           | 99-7560            | 1           | Nut-Lock                    |

| <i>Ref.</i> | <i>Part Number</i> | <i>Qty.</i> | <i>Description</i> |
|-------------|--------------------|-------------|--------------------|
| 10          | 99-7550            | 2           | Shim 0.1           |
| 10          | 99-7551            | 2           | Shim 0.2           |
| 11          | 95-7533            | 1           | Case-Gear          |
| 12          | 99-7575            | 2           | Bolt               |
| 13          | 98-7735            | 2           | Stud               |
| 14          | 99-7527            | 2           | Washer-Spring      |
| 15          | 99-7526            | 2           | Nut                |
| 16          | 95-7541            | 1           | Plate-Cover        |
| 17          | 106-1140           | 1           | Gasket             |
| 18          | 104-2353           | 2           | Pin-Dowel          |



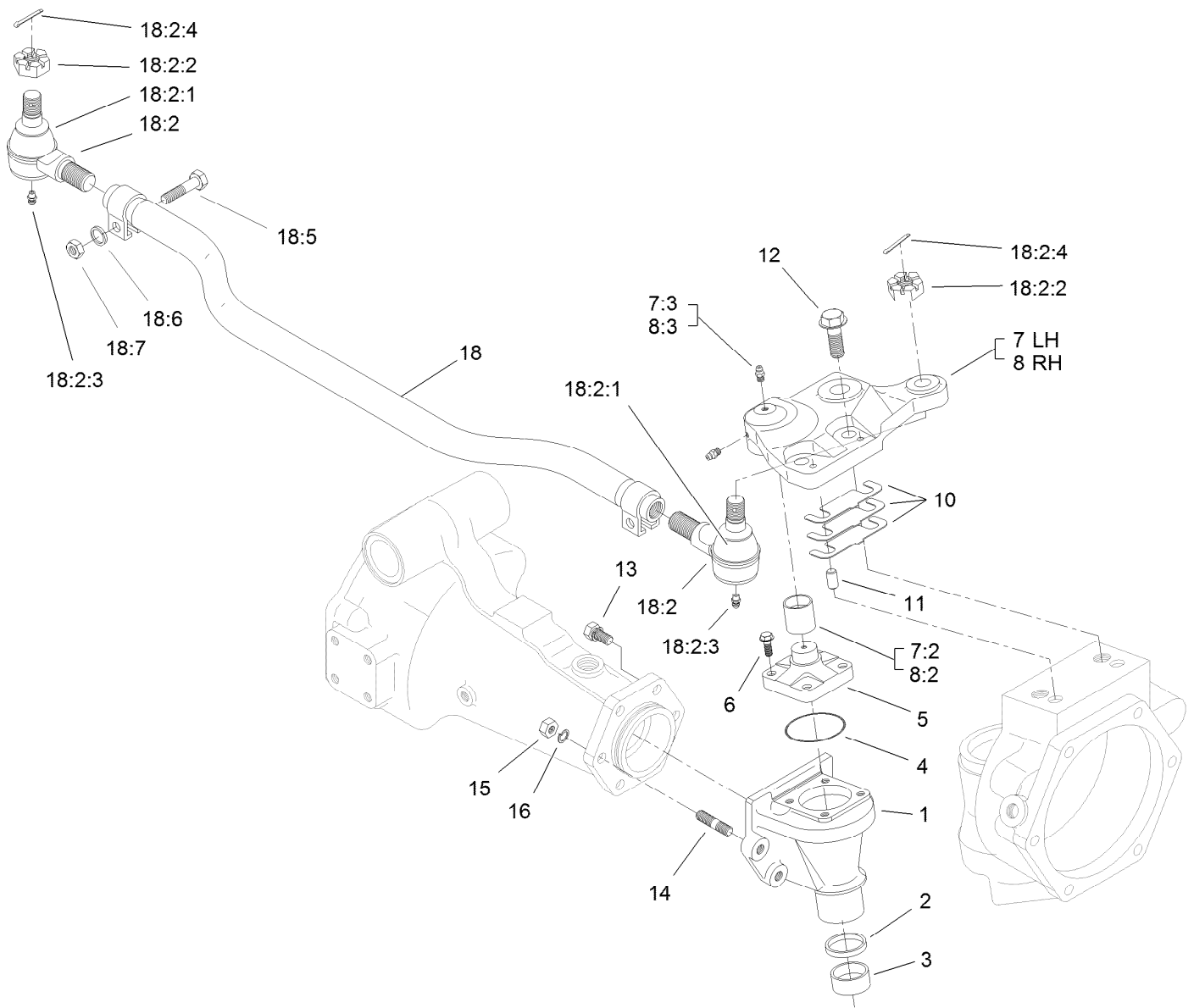
## Differential Assembly Rear Axle Assembly No. 110-4750

| <i>Ref.</i> | <i>Part Number</i> | <i>Qty.</i> | <i>Description</i>          | <i>Ref.</i> | <i>Part Number</i> | <i>Qty.</i> | <i>Description</i>  |
|-------------|--------------------|-------------|-----------------------------|-------------|--------------------|-------------|---------------------|
| 1           | 95-7503            | 1           | Differential ASM            | 9           | 99-7581            | 2           | Gear-Differential   |
| 2           | 106-1093           | 1           | Ring And Pinion Set         | 10          | 99-7582            | 2           | Washer-Differential |
| 2:1         | 95-7504            | 1           | Gear-43 Tooth, Bevel Spiral | 10          | 99-7583            | 2           | Washer-Differential |
| 2:2         | 106-1092           | 1           | Pinion-Spiral, Bevel        | 10          | 99-7584            | 2           | Washer-Differential |
| 3           | 95-7502            | 1           | Case-Differential           | 11          | 99-7588            | 1           | Pin-Spring          |
| 4           | 99-7576            | 8           | Bolt                        | 12          | 99-7562            | 2           | Bearing-Ball        |
| 5           | 3253-4             | 8           | Washer-Lock                 | 13          | 99-7585            | 2           | Shim 0.1            |
| 6           | 99-7578            | 1           | Shaft-Differential          | 13          | 99-7586            | 2           | Shim 0.2            |
| 7           | 99-7579            | 2           | Pinion-Differential         | 13          | 99-7587            | 2           | Shim 0.4            |
| 8           | 99-7580            | 2           | Washer-Differential         |             |                    |             |                     |



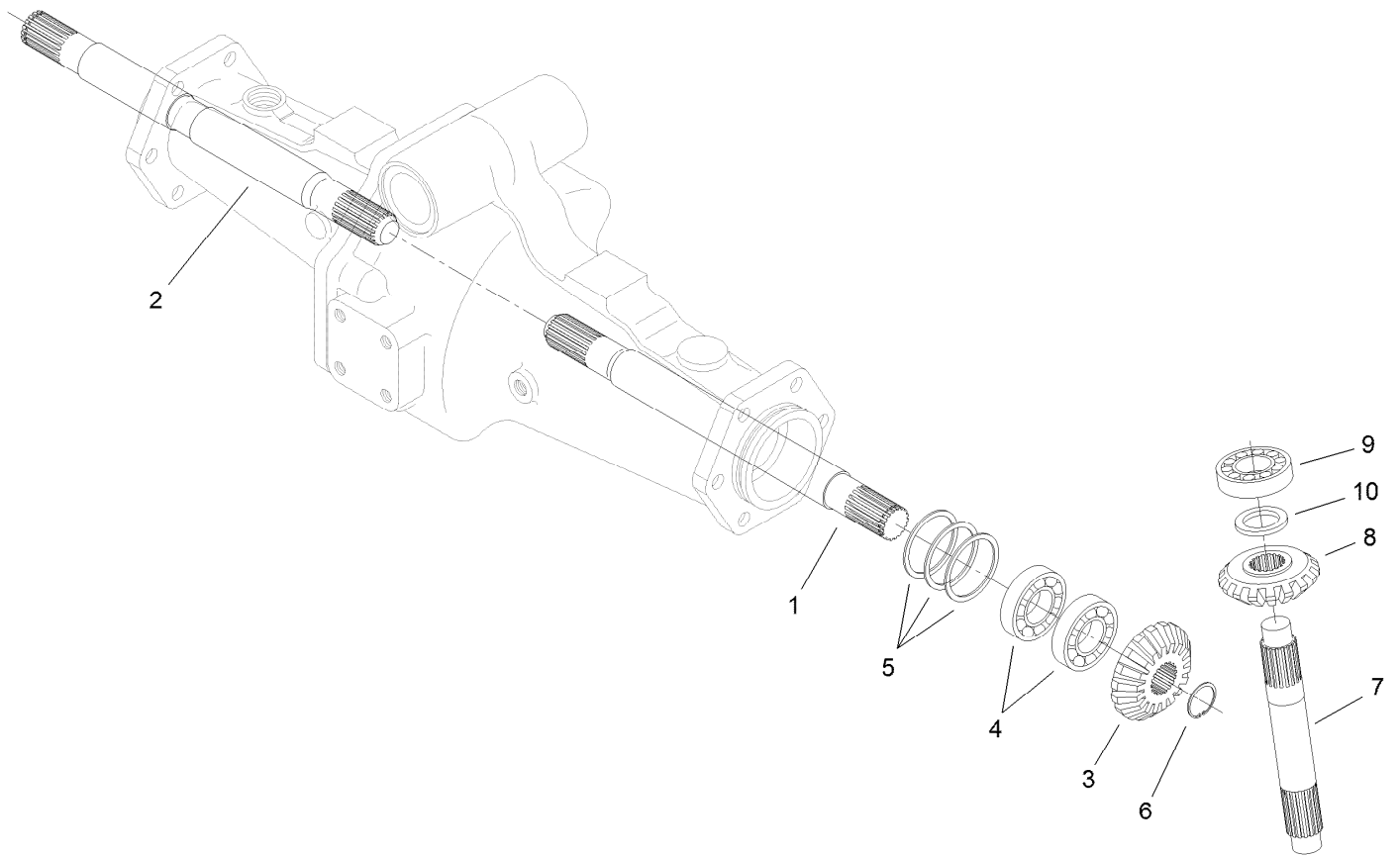
## Axle Support Assembly Rear Axle Assembly No. 110-4750

| <i>Ref.</i> | <i>Part Number</i> | <i>Qty.</i> | <i>Description</i>  |
|-------------|--------------------|-------------|---------------------|
| 1           | 95-7508            | 1           | Support-Axle        |
| 2           | 95-7506            | 1           | Support-Axle        |
| 3           | 106-1067           | 1           | O-Ring              |
| 4           | 95-7537            | 2           | Bushing-Flanged     |
| 5           | 99-7590            | 2           | Washer-Seal         |
| 6           | 99-7589            | 2           | Plug                |
| 7           | 110-4812           | 1           | Axle Vent ASM       |
| 7:3         | 110-4815           | 1           | Insert-Filter, Foam |
| 8           | 99-7592            | 8           | Bolt                |
| 9           | 106-1068           | 2           | O-Ring              |
| 10          | 104-2377           | 1           | Extension-Vent      |
| 11          | 104-8643           | 1           | Plug                |
| 12          | 104-8644           | 1           | O-Ring              |



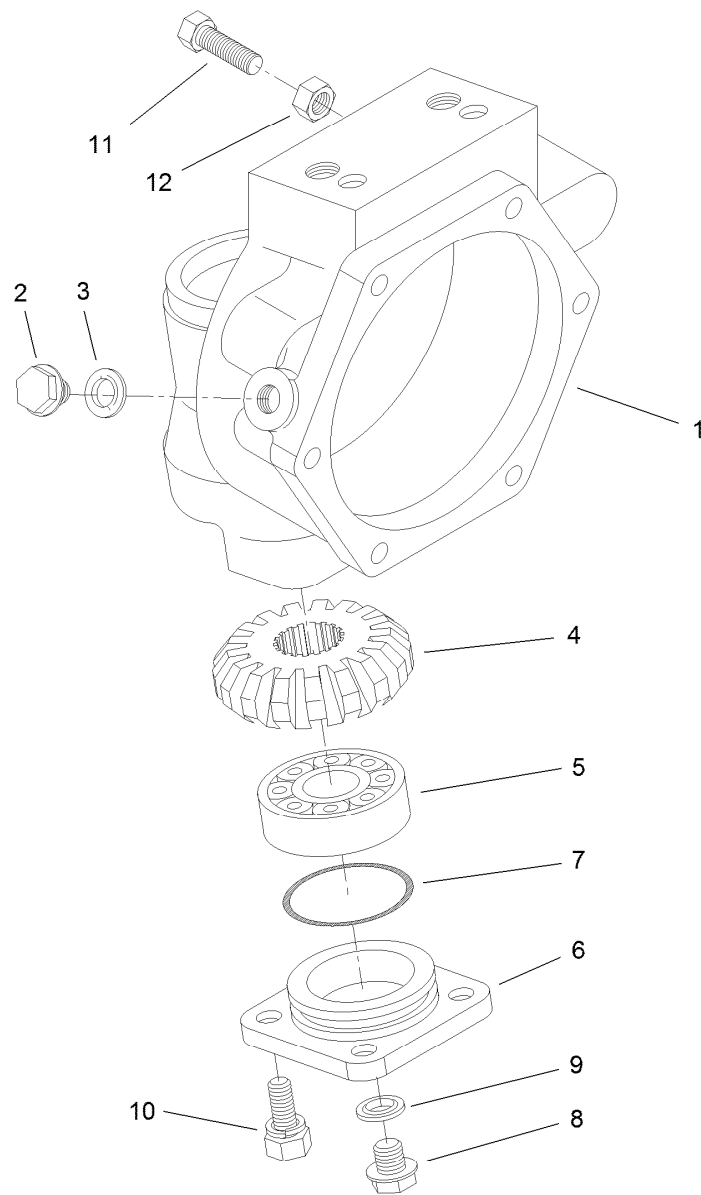
## Bevel Gear Case Assembly Rear Axle Assembly No. 110-4750

| Ref. | Part Number | Qty. | Description         | Ref.   | Part Number | Qty. | Description                    |
|------|-------------|------|---------------------|--------|-------------|------|--------------------------------|
| 1    | 110-4752    | 2    | Case-Gear, Bevel    | 12     | 104-2375    | 4    | Bolt                           |
| 2    | 110-4754    | 2    | Seal-Oil            | 13     | 99-7599     | 8    | Bolt                           |
| 3    | 104-2378    | 2    | Bushing             | 14     | 99-7525     | 4    | Stud                           |
| 4    | 106-1069    | 2    | O-Ring              | 15     | 99-7526     | 4    | Nut                            |
| 5    | 104-2373    | 2    | Knuckle             | 16     | 99-7527     | 4    | Washer-Spring                  |
| 6    | 104-2374    | 8    | Bolt                | 18     | 106-1141    | 1    | Steering Tie Rod ASM           |
| 7    | 100-3768    | 1    | LH Steering Arm ASM | 18:2   | 106-1113    | 2    | Tie Rod End ASM - RH<br>Thread |
| 7:2  | 104-8634    | 1    | Bushing             | 18:2:1 | 100-3853    | 1    | Cover-Dust                     |
| 7:3  | 106-1104    | 2    | Fitting-Grease      | 18:2:2 | 100-3854    | 1    | Nut-Castle                     |
| 8    | 100-3766    | 1    | RH Steering Arm ASM | 18:2:3 | 110-4755    | 1    | Fitting-Grease                 |
| 8:2  | 104-8634    | 1    | Bushing             | 18:2:4 | 3272-11     | 1    | Pin-Cotter                     |
| 8:3  | 106-1104    | 2    | Fitting-Grease      | 18:5   | 100-3855    | 2    | Bolt                           |
| 10   | 95-7547     | 2    | Shim 0.1            | 18:6   | 99-7527     | 2    | Washer-Spring                  |
| 10   | 95-7548     | 2    | Shim 0.2            | 18:7   | 99-7526     | 2    | Nut                            |
| 10   | 95-7549     | 2    | Shim 0.3            |        |             |      |                                |
| 11   | 99-7597     | 4    | Pin-Dowel           |        |             |      |                                |



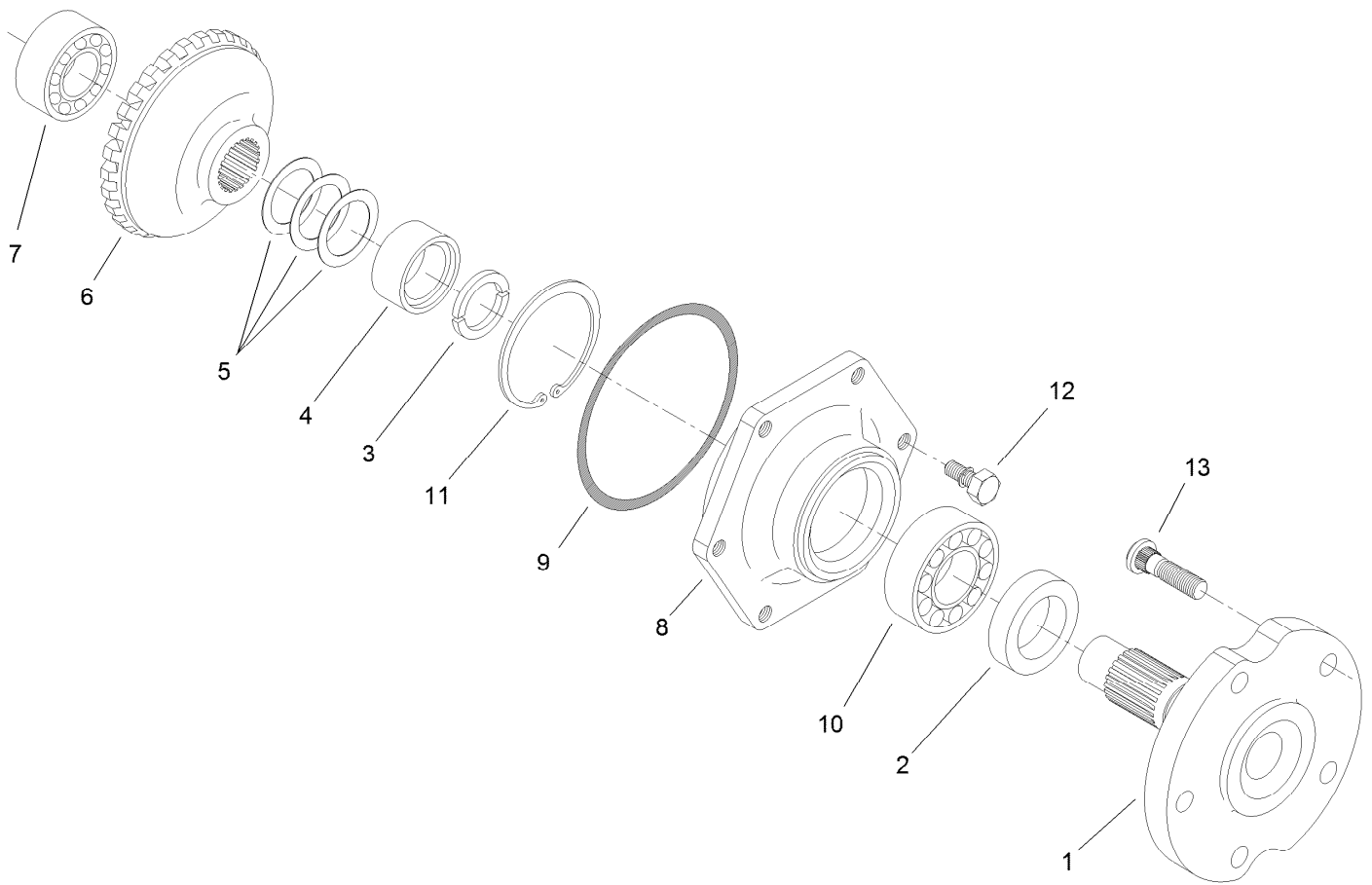
## Bevel Gear Shaft Assembly Rear Axle Assembly No. 110-4750

| <i>Ref.</i> | <i>Part Number</i> | <i>Qty.</i> | <i>Description</i>       |
|-------------|--------------------|-------------|--------------------------|
| 1           | 95-7509            | 1           | Shaft-Gear, Differential |
| 2           | 95-7512            | 1           | Shaft-Gear, Differential |
| 3           | 95-7517            | 2           | Gear-Bevel, 15 Tooth     |
| 4           | 99-7530            | 4           | Bearing-Ball             |
| 5           | 99-7552            | 2           | Shim 0.1                 |
| 5           | 99-7553            | 2           | Shim 0.2                 |
| 5           | 99-7554            | 2           | Shim 0.5                 |
| 6           | 99-7531            | 2           | Clip                     |
| 7           | 110-4753           | 2           | Shaft-Gear, Bevel        |
| 8           | 95-7519            | 2           | Gear-Bevel, 17 Tooth     |
| 9           | 99-7532            | 2           | Bearing-Roller, Taper    |
| 10          | 99-7558            | 2           | Collar                   |



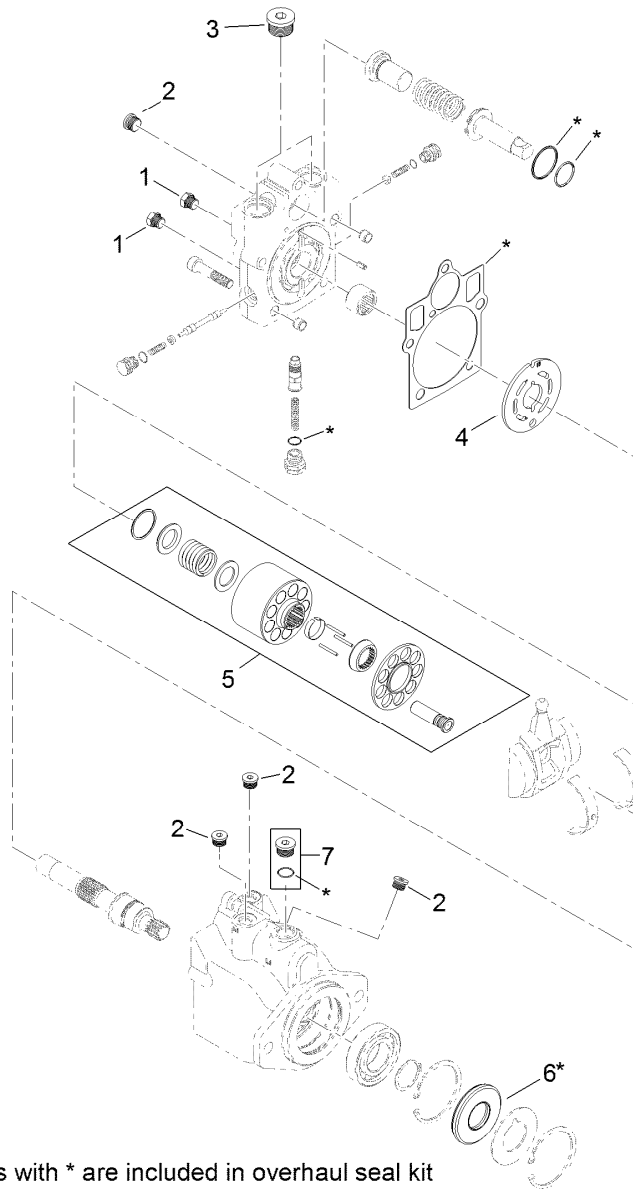
## Axle Case Assembly Rear Axle Assembly No. 110-4750

| <i>Ref.</i> | <i>Part Number</i> | <i>Qty.</i> | <i>Description</i>    |
|-------------|--------------------|-------------|-----------------------|
| 1           | 110-4751           | 2           | Case-Axle             |
| 2           | 99-7535            | 2           | Plug                  |
| 3           | 99-7536            | 2           | Washer-Seal           |
| 4           | 95-7527            | 2           | Gear-Bevel, 17 Tooth  |
| 5           | 99-7532            | 2           | Bearing-Roller, Taper |
| 6           | 100-2560           | 2           | Cover                 |
| 7           | 106-1070           | 2           | O-Ring                |
| 8           | 99-7589            | 2           | Plug                  |
| 9           | 99-7590            | 2           | Washer-Seal           |
| 10          | 100-2562           | 8           | Bolt                  |
| 11          | 106-1102           | 2           | Bolt-Stop             |
| 12          | 106-1103           | 2           | Nut                   |



## Axle Assembly Rear Axle Assembly No. 110-4750

| <i>Ref.</i> | <i>Part Number</i> | <i>Qty.</i> | <i>Description</i>   |
|-------------|--------------------|-------------|----------------------|
| 1           | 95-7522            | 2           | Axle                 |
| 2           | 99-7564            | 2           | Seal-Oil             |
| 3           | 95-7544            | 4           | Clip                 |
| 4           | 95-7523            | 2           | Spacer               |
| 5           | 99-7555            | 2           | Shim 0.3             |
| 5           | 99-7556            | 2           | Shim 0.2             |
| 5           | 99-7557            | 2           | Shim 0.5             |
| 6           | 95-7524            | 2           | Gear-Bevel, 29 Tooth |
| 7           | 99-7534            | 2           | Bearing-Ball         |
| 8           | 95-7521            | 2           | Cover-Axle           |
| 9           | 106-1071           | 2           | O-Ring               |
| 10          | 99-7561            | 2           | Bearing-Ball         |
| 11          | 99-7539            | 2           | Clip                 |
| 12          | 99-7596            | 12          | Bolt                 |
| 13          | 99-7563            | 10          | Stud                 |

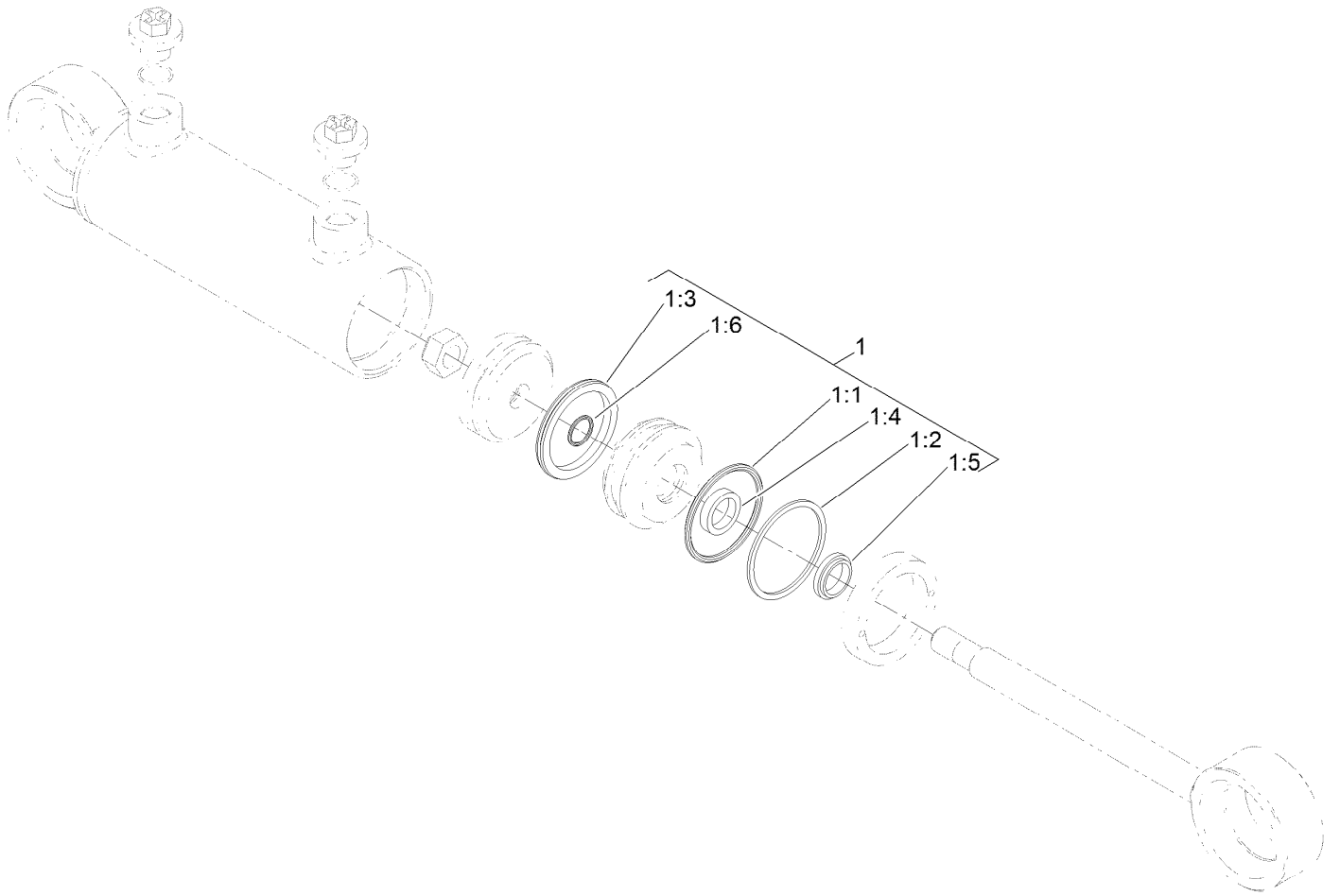


8 = all items with \* are included in overhaul seal kit

## Hydraulic Motor Assembly No. 120-8814

| <i>Ref.</i> | <i>Part Number</i> | <i>Qty.</i> | <i>Description</i>     |
|-------------|--------------------|-------------|------------------------|
| 1           | 92-1352            | 2           | Plug                   |
| 2           | 69-3080            | 5           | Plug                   |
| 3           | 69-3130            | 2           | Plug                   |
| 4           | 121-1734           | 1           | Plate-Valve            |
| 5           | 110-6472           | 1           | Cylinder Block Kit ASM |
| 6           | 69-3190            | 1           | Seal-Lip               |
| 7           | 67-9090            | 1           | Plug                   |
| 8           | 121-1736           | 1           | Overhaul Seal Kit      |

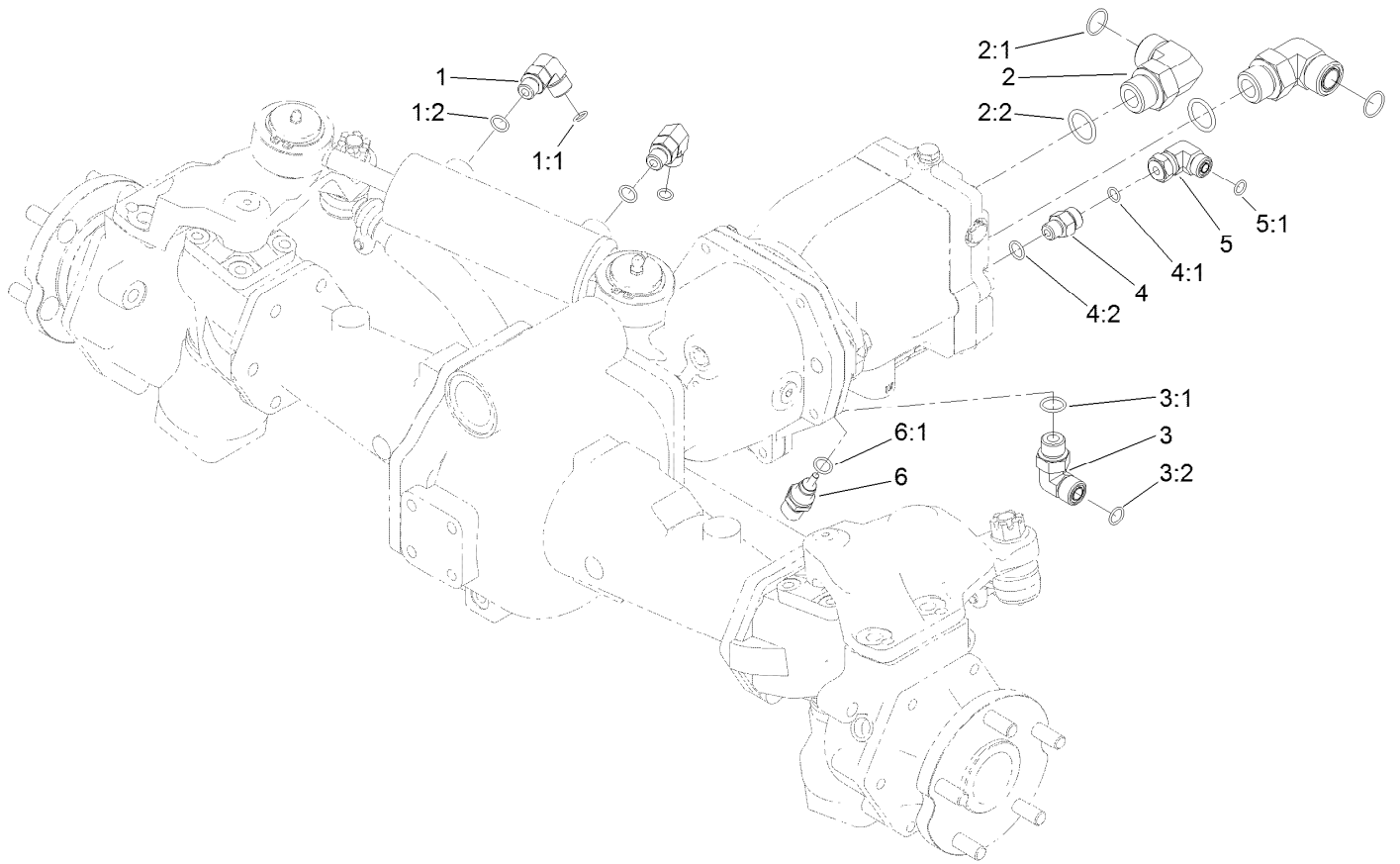




## Steering Cylinder Assembly No. 121-1534

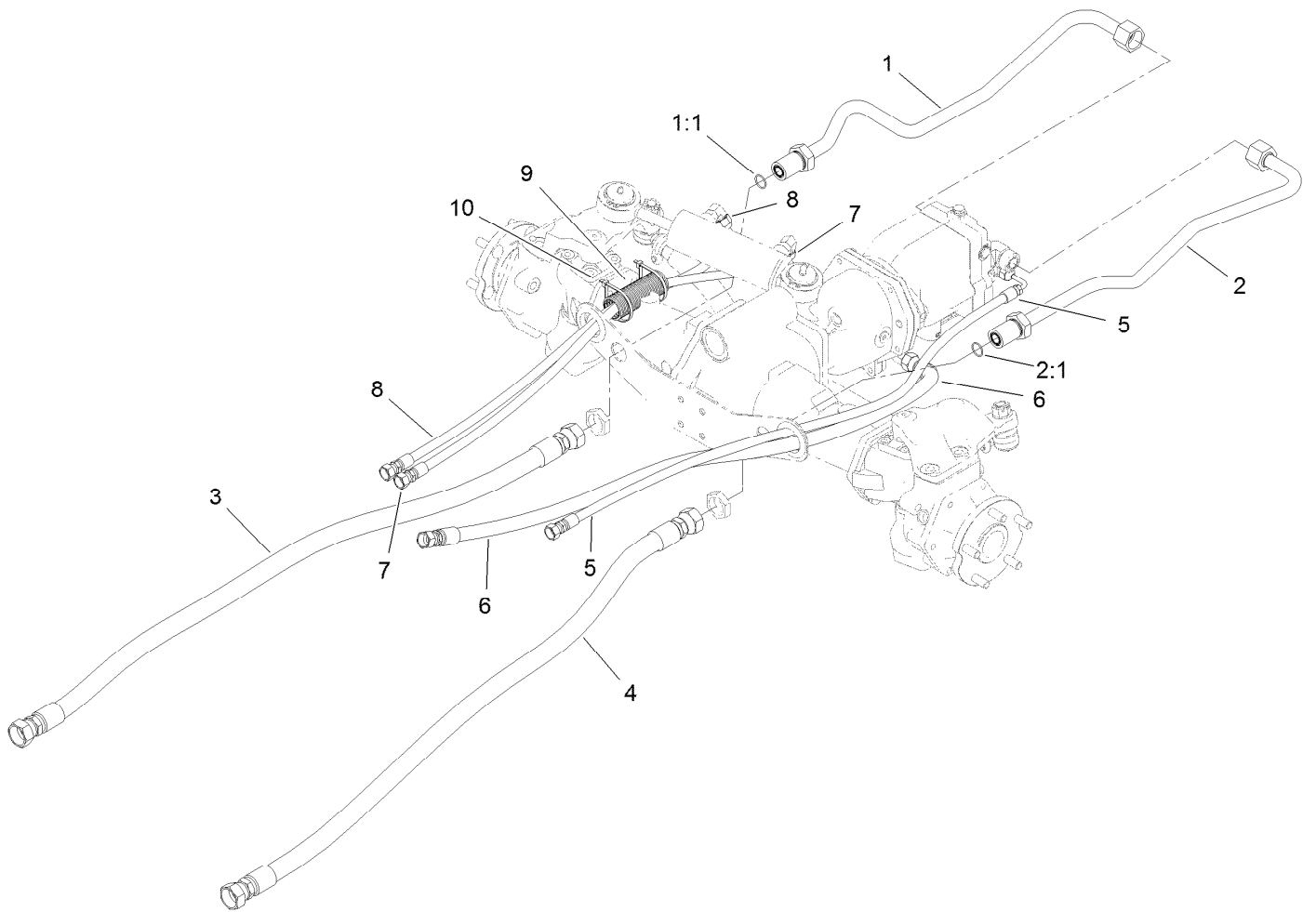
| <i>Ref.</i> | <i>Part Number</i> | <i>Qty.</i> | <i>Description</i> |
|-------------|--------------------|-------------|--------------------|
| 1           | 125-4302           | 1           | Seal Kit           |
| 1:1         |                    | 1           | O-Ring ●           |
| 1:2         |                    | 1           | Backup ●           |
| 1:3         |                    | 1           | Bp Seal ●          |
| 1:4         |                    | 1           | Bt Seal ●          |
| 1:5         |                    | 1           | Dust Seal ●        |
| 1:6         |                    | 1           | O-Ring ●           |

● Not serviced separately



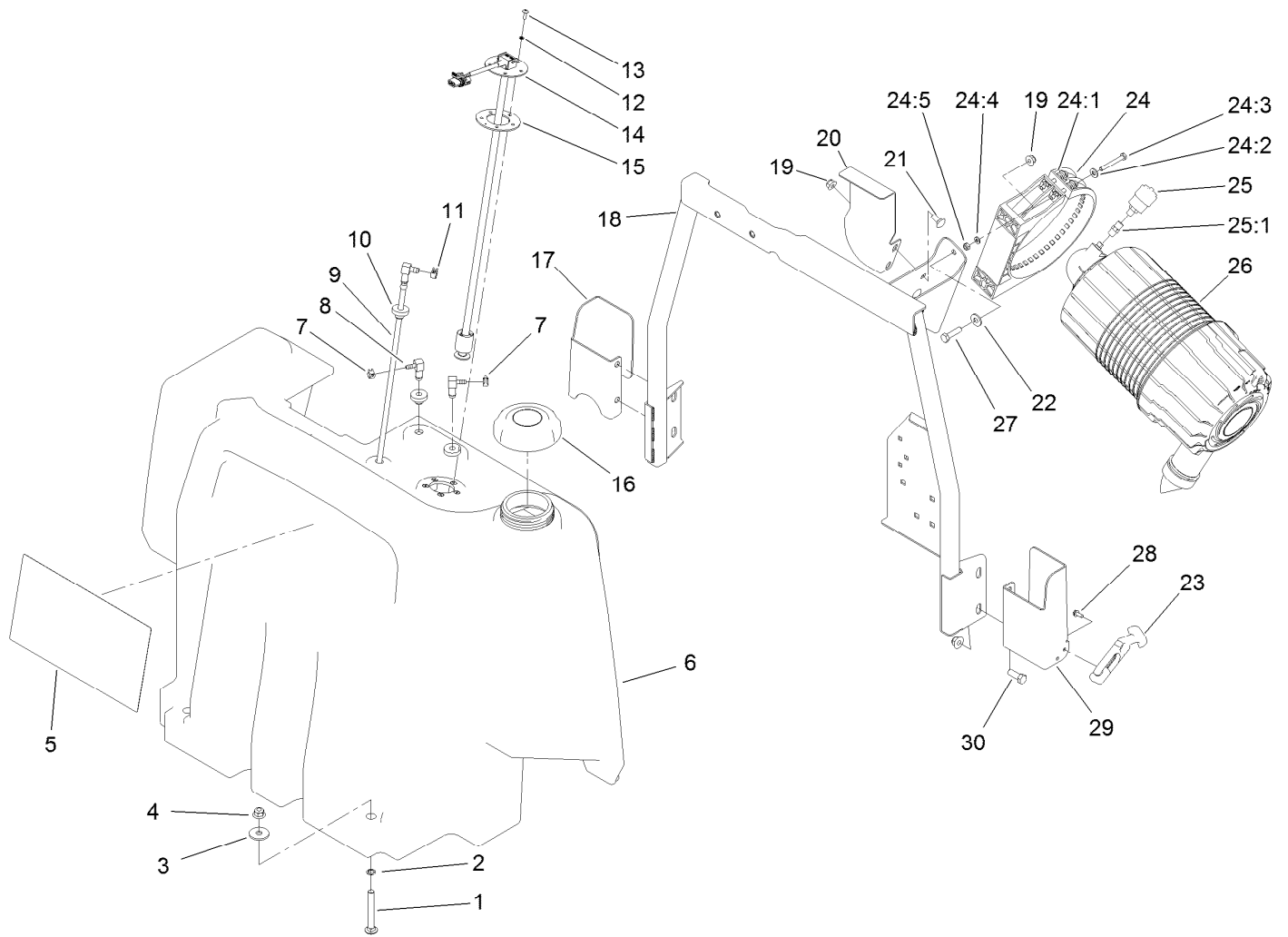
## Hydraulic Fitting Assembly

| <i>Ref.</i> | <i>Part Number</i> | <i>Qty.</i> | <i>Description</i>    | <i>Ref.</i> | <i>Part Number</i> | <i>Qty.</i> | <i>Description</i> |
|-------------|--------------------|-------------|-----------------------|-------------|--------------------|-------------|--------------------|
| 1           | 340-77             | 2           | Fitting-Elbow, 90 DEG | 3:2         | 237-30             | 1           | O-Ring             |
| 1:1         | 237-22             | 1           | O-Ring                | 4           | 340-2              | 1           | Fitting-Straight   |
| 1:2         | 237-42             | 1           | O-Ring                | 4:1         | 237-22             | 1           | O-Ring             |
| 2           | 340-142            | 2           | Fitting-Elbow, 90 DEG | 4:2         | 237-42             | 1           | O-Ring             |
| 2:1         | 237-58             | 1           | O-Ring                | 5           | 340-159            | 1           | Elbow-90           |
| 2:2         | 237-81             | 1           | O-Ring                | 5:1         | 237-22             | 2           | O-Ring             |
| 3           | 340-98             | 1           | Fitting-Elbow, 90 DEG | 6           | 110-8829           | 1           | Sender-Temperature |
| 3:1         | 237-79             | 1           | O-Ring                | 6:1         | 237-42             | 1           | O-Ring             |
|             |                    |             |                       |             |                    |             |                    |



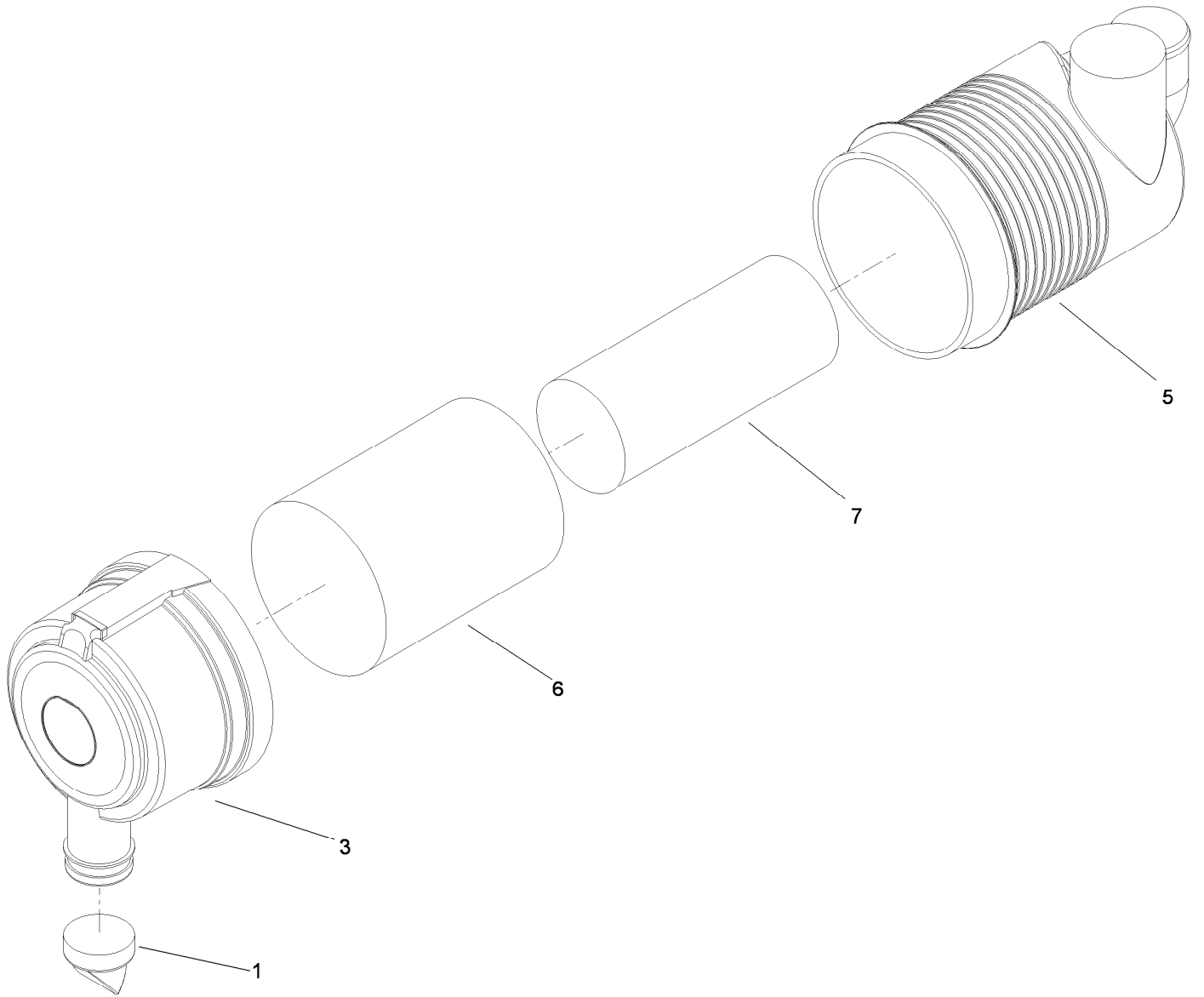
## Hose and Tube Routing Assembly

| <i>Ref.</i> | <i>Part Number</i> | <i>Qty.</i> | <i>Description</i> |
|-------------|--------------------|-------------|--------------------|
| 1           | 120-9067           | 1           | HYD Tube ASM       |
| 1:1         | 237-58             | 1           | O-Ring             |
| 2           | 120-9068           | 1           | Tube ASM           |
| 2:1         | 237-58             | 1           | O-Ring             |
| 3           | 121-1502           | 1           | Hose-HYD           |
| 4           | 114-0024           | 1           | Hose-HYD           |
| 5           | 121-1459           | 1           | Hose-HYD           |
| 6           | 121-1458           | 1           | Hose-HYD           |
| 7           | 121-1500           | 1           | Hose-HYD           |
| 8           | 121-1501           | 1           | Hose-HYD           |
| 9           | 121-1544           | 2           | Cover-Hose         |
| 10          | 3290-379           | 4           | Tie-Cable          |



## Fuel Tank and Air Cleaner Assembly

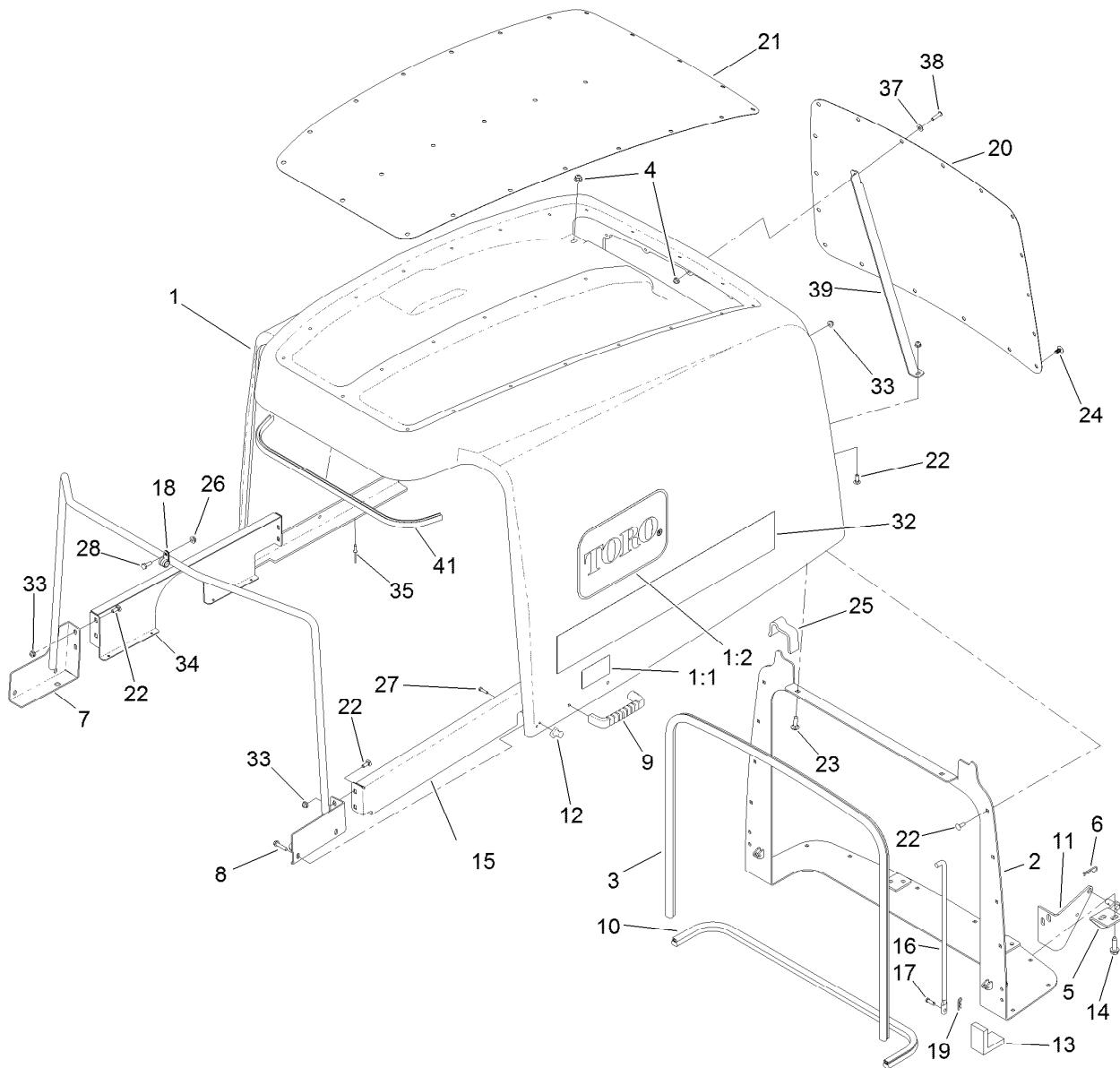
| Ref. | Part Number | Qty. | Description           | Ref. | Part Number | Qty. | Description        |
|------|-------------|------|-----------------------|------|-------------|------|--------------------|
| 1    | 3231-10     | 2    | Screw-CARR            | 19   | 104-8300    | 4    | Nut-HF, NI         |
| 2    | 32151-72    | 2    | Ring-Retaining        | 20   | 120-4193-03 | 1    | Bracket-Fuel Tank  |
| 3    | 63-8410     | 2    | Washer                | 21   | 3230-1      | 2    | Bolt-CARR          |
| 4    | 104-8301    | 6    | Nut-HF, NI            | 22   | 3256-3      | 2    | Washer-Flat        |
| 5    | 137-5496    | 1    | Decal-Service         | 23   | 103-4080    | 2    | Latch-Rubber       |
| 6    | 120-4195    | 1    | Tank-Fuel             | 24   | 99-5414     | 1    | Strap-Cleaner, Air |
| 7    | 2412-98     | 2    | Clamp-Hose            | 24:1 | 108-1512    | 2    | Spring             |
| 8    | 104-5228    | 2    | Fitting-Elbow, 90 DEG | 24:2 | 3256-22     | 2    | Washer-Flat        |
| 9    | 120-8908    | 1    | Pipe-Stand            | 24:3 | 33113-050   | 2    | Screw-HH           |
| 10   | 46-6560     | 3    | Bushing               | 24:4 | 33093-00    | 2    | Washer-Flat        |
| 11   | 92-2379     | 1    | Clamp-Hose            | 24:5 | 33023-00    | 2    | Nut-Lock           |
| 12   | 3253-15     | 5    | Washer-Lock           | 25   | 104-3563    | 1    | Indicator          |
| 13   | 32122-24    | 5    | Screw-PTH             | 25:1 | 94-1416     | 1    | Adapter-Indicator  |
| 14   | 121-1688    | 1    | Gauge-Fuel            | 26   | 99-5410     | 1    | Air Cleaner ASM    |
| 15   | 121-1707    | 1    | Gasket-Fuel, Viton    | 27   | 322-6       | 2    | Screw-HH           |
| 16   | 119-8266    | 1    | Cap-Fuel (Biodiesel)  | 28   | 32144-1     | 4    | Screw-Taptite      |
| 17   | 121-1514-03 | 1    | Bracket-Latch, RH     | 29   | 121-1513-03 | 1    | Bracket-Latch, LH  |
| 18   | 120-4190-03 | 1    | Support-Tank          | 30   | 323-6       | 4    | Screw-HH           |



## Air Cleaner Assembly No. 99-5410

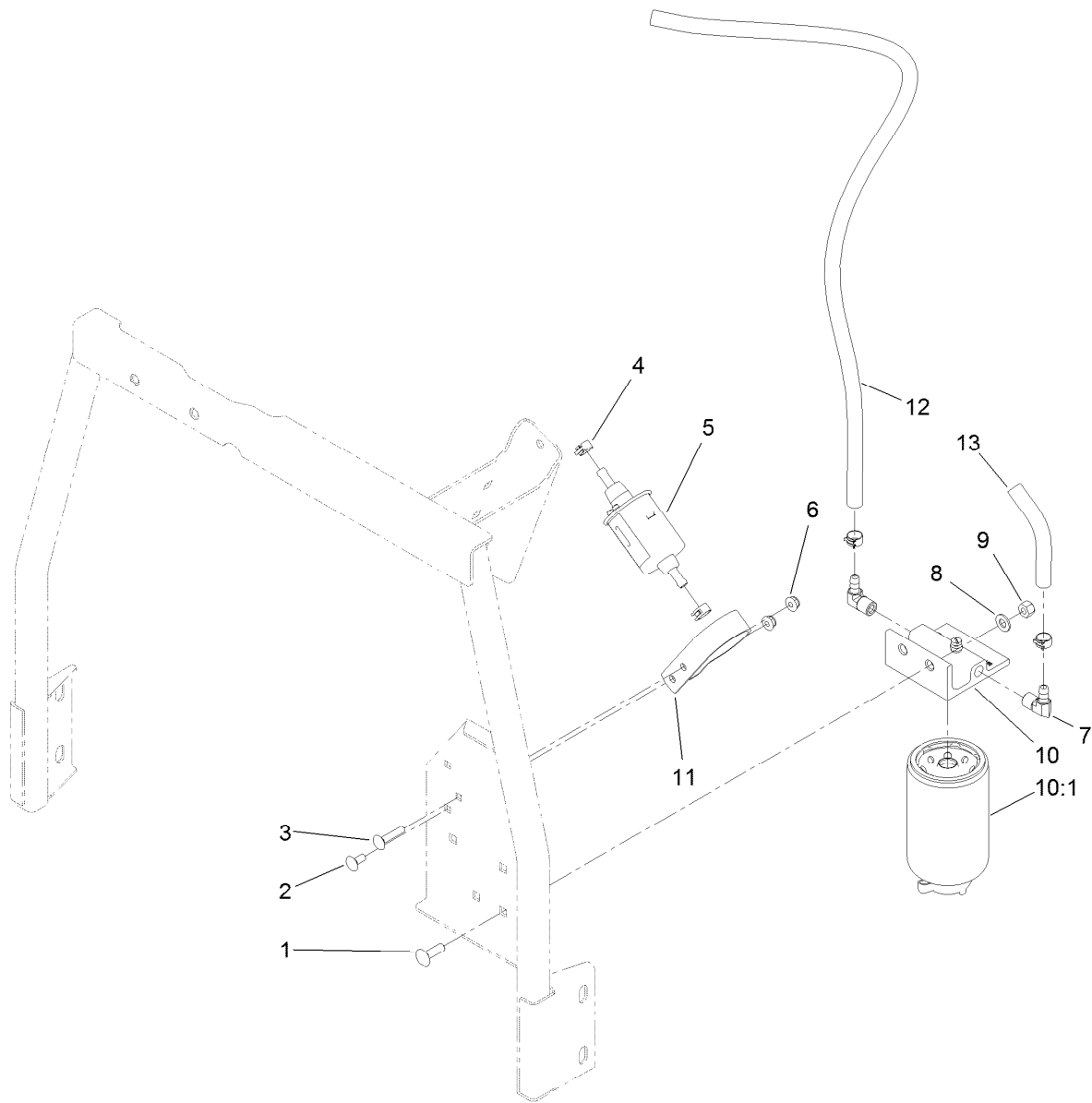
| <i>Ref.</i> | <i>Part Number</i> | <i>Qty.</i> | <i>Description</i> |
|-------------|--------------------|-------------|--------------------|
| 1           | 104-4258           | 1           | Valve-Vacuator     |
| 3           | 104-4259           | 1           | Cover              |
| 5           |                    | 1           | Body ASM ●         |
| 6           | 108-3814           | 1           | Filter-Air         |
| 7           | 108-3816           | 1           | Filter-Air         |

● Not serviced separately



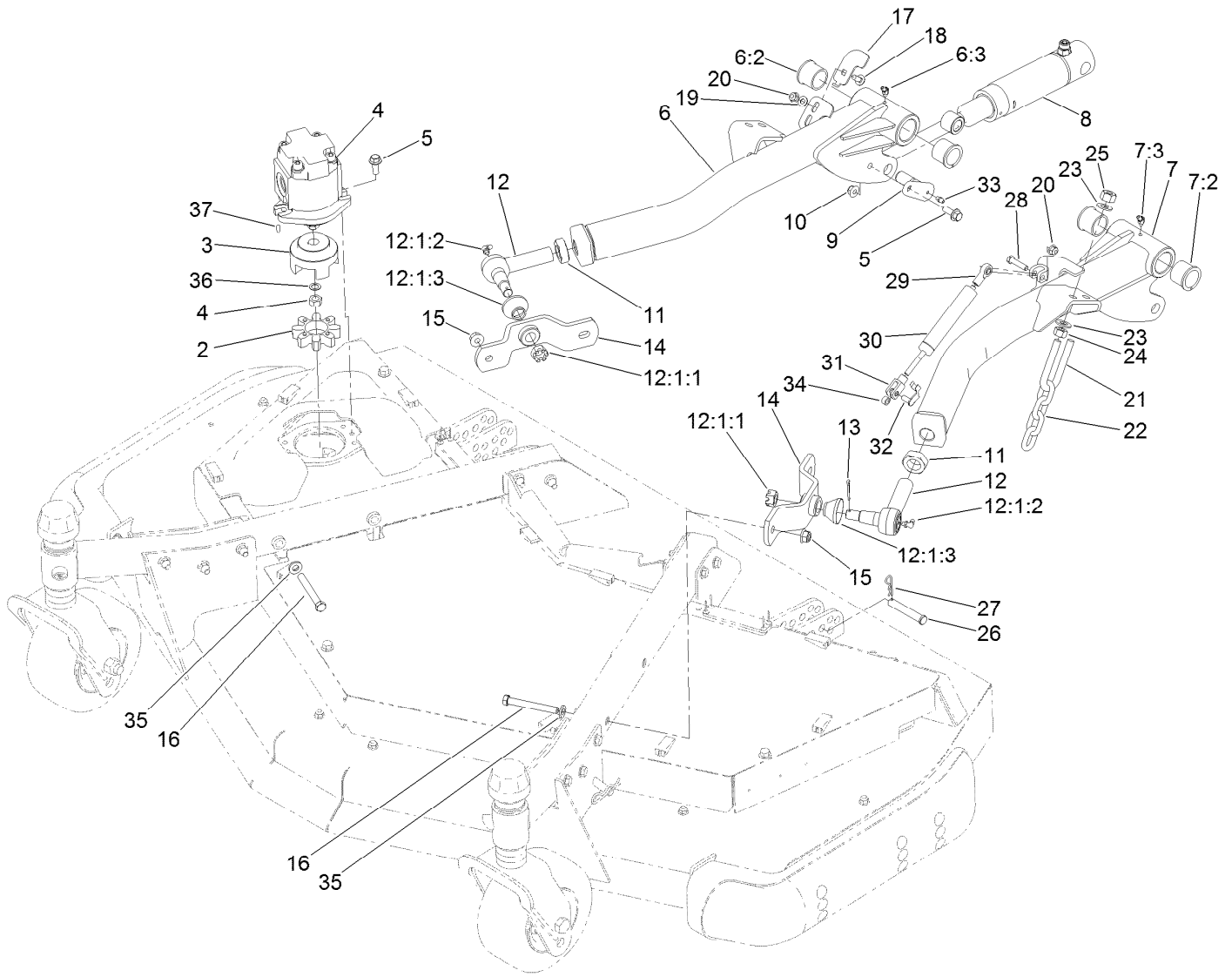
## Hood Assembly

| Ref. | Part Number | Qty. | Description         | Ref. | Part Number | Qty. | Description       |
|------|-------------|------|---------------------|------|-------------|------|-------------------|
| 1    | 120-9090    | 1    | Hood ASM            | 18   | 2412-134    | 2    | Clamp-R           |
| 1:1  | 106-6754    | 2    | Decal-Danger        | 19   | 3290-307    | 2    | Pin-Cotter        |
| 1:2  | 66-1210     | 2    | Decal               | 20   | 120-9096-03 | 1    | Screen-Hood, Rear |
| 2    | 120-9099-03 | 1    | Pivot-Hood          | 21   | 120-9097-03 | 1    | Screen-Hood, Top  |
| 3    | 114-3823    | 1    | Seal-Bulb           | 22   | 3229-1      | 24   | Screw-CARR        |
| 4    | 104-8300    | 2    | Nut-HF, NI          | 23   | 3230-2      | 2    | Bolt-CARR         |
| 5    | 121-1470    | 2    | Pivot-Screen        | 24   | 117-2382    | 42   | Plug-Plastic      |
| 6    | 3290-467    | 2    | Pin-Hair            | 25   | 120-9087    | 2    | Seal-Foam         |
| 7    | 120-4196-03 | 1    | Support-Hood        | 26   | 32128-33    | 2    | Nut-HF            |
| 8    | 46-8092     | 4    | Screw-Plastite      | 27   | 32104-4     | 2    | Screw             |
| 9    | 65-5100     | 2    | Handle-Door         | 28   | 321-4       | 2    | Screw-HH          |
| 10   | 104-3590    | 1    | Seal-Bulb           | 32   | 106-2045    | 2    | Decal-Hood        |
| 11   | 104-3588-03 | 2    | Pivot-Screen        | 33   | 104-7201    | 25   | Nut-HF            |
| 12   | 103-4081    | 2    | Latch-Keeper        | 34   | 120-8948-03 | 1    | Support-Hood, RH  |
| 13   | 104-3580    | 2    | Seal-Corner, Screen | 35   | 3269-4      | 8    | Rivet-Pop         |
| 14   | 32144-109   | 8    | Screw-Thd           | 37   | 3256-1      | 1    | Washer-Flat       |
| 15   | 120-8949-03 | 1    | Support-Hood, LH    | 38   | 3274-65     | 1    | Screw-HSBH        |
| 16   | 104-8313    | 2    | Rod-Hood            | 39   | 127-3707-03 | 1    | Support-Hood      |
| 17   | 283-67      | 2    | Pin-Clevis          | 41   | 132-6181    | 1    | Trim              |



## Fuel/Water Separator Assembly

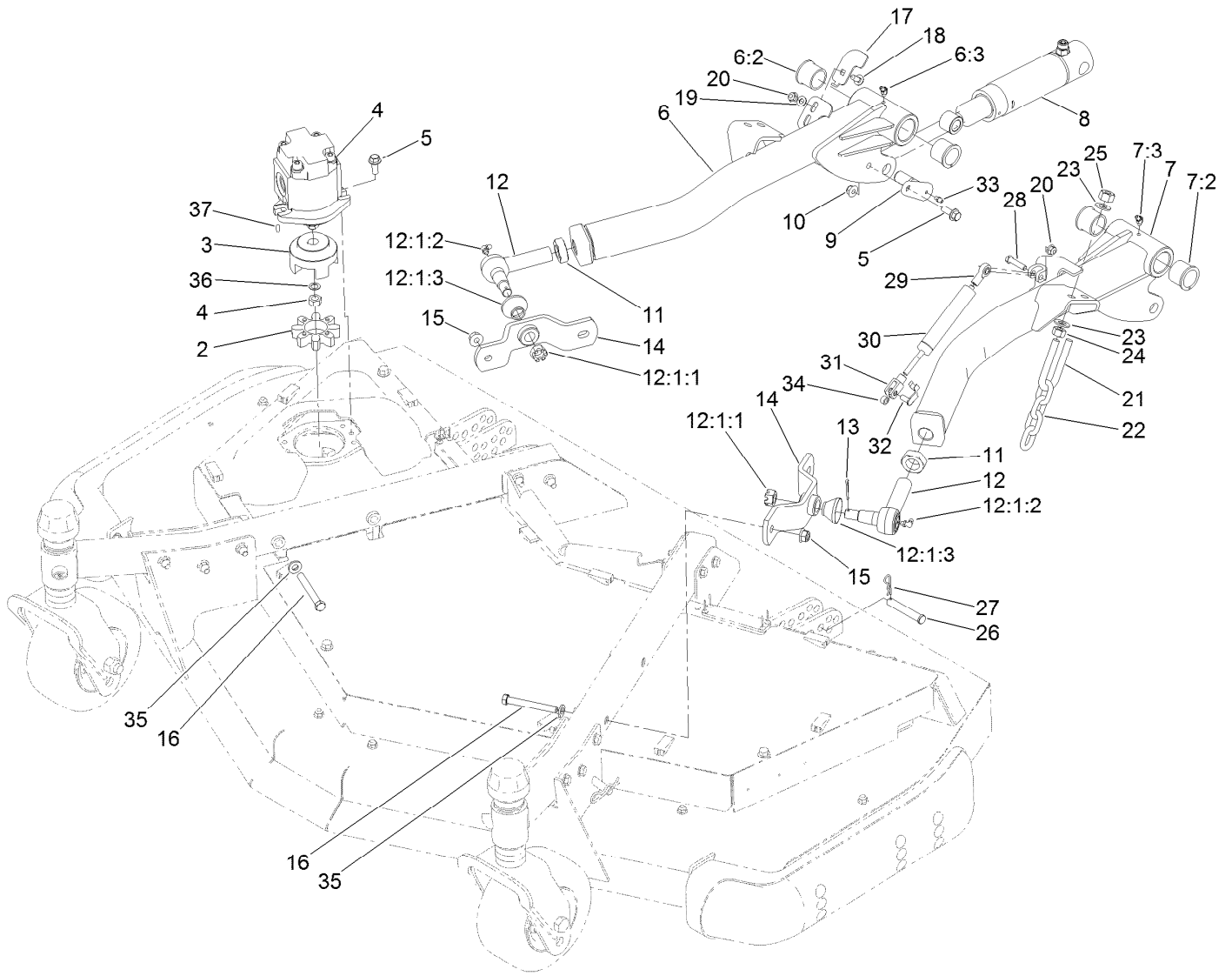
| Ref. | Part Number | Qty. | Description        |
|------|-------------|------|--------------------|
| 1    | 3230-22     | 2    | Screw-CARR         |
| 2    | 3229-11     | 1    | Screw-CARR         |
| 3    | 3229-3      | 1    | Screw-CARR         |
| 4    | 92-2379     | 4    | Clamp-Hose         |
| 5    | 110-8806    | 1    | Pump-Fuel          |
| 6    | 104-7201    | 2    | Nut-HF             |
| 7    | 353-781     | 2    | Fitting-HYD, 90    |
| 8    | 3256-23     | 2    | Washer-Plain       |
| 9    | 3296-29     | 2    | Nut-Lock, NI       |
| 10   | 110-9044    | 1    | Separator-Filter   |
| 10:1 | 110-9049    | 1    | Filter-Spin On     |
| 11   | 110-8817    | 1    | Bracket-Pump, Fuel |
| 12   | 110-6186    | 1    | Hose-Fuel          |
| 13   | 110-3256    | 1    | Hose-Fuel          |



## Front Deck Installation Assembly

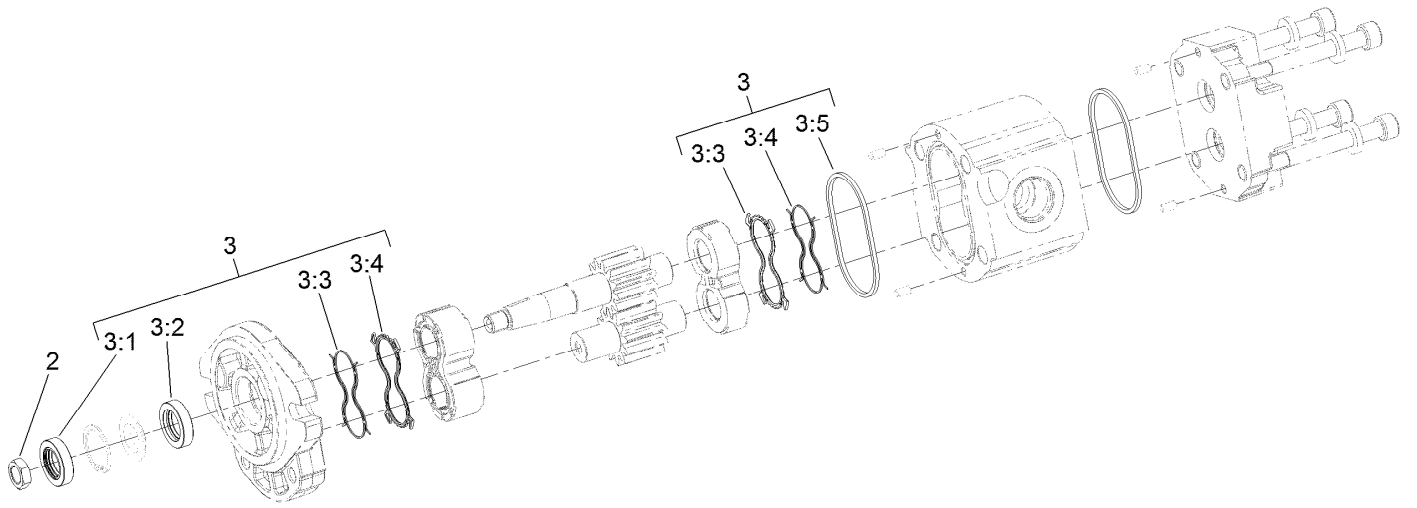
| Ref.   | Part Number | Qty. | Description            | Ref. | Part Number | Qty. | Description        |
|--------|-------------|------|------------------------|------|-------------|------|--------------------|
| 2      | 104-3542    | 1    | Spider                 | 16   | 324-19      | 4    | Screw-HH           |
| 3      | 104-3541    | 1    | Hub-Spider             | 17   | 120-8893    | 1    | Plate-Sensor       |
| 4      | 127-3694    | 1    | HYD Motor ASM          | 18   | 3230-23     | 1    | Screw-CARR         |
| 5      | 3234-42     | 4    | Screw-HHF              | 19   | 3256-23     | 1    | Washer-Plain       |
| 6      | 120-8878    | 1    | RH Lift Arm ASM        | 20   | 104-8300    | 2    | Nut-HF, NI         |
| 6:2    | 104-0015    | 2    | Bushing-Flange         | 21   | 104-0108    | 2    | U-Bolt             |
| 6:3    | 302-11      | 1    | Fitting-Lube, 45 DEG   | 22   | 95-6231     | 2    | Chain-HOC          |
| 7      | 120-8879    | 1    | LH Lift Arm ASM        | 23   | 3256-26     | 8    | Washer-Flat        |
| 7:2    | 104-0015    | 2    | Bushing-Flange         | 24   | 3217-9      | 4    | Nut-HH             |
| 7:3    | 302-11      | 1    | Fitting-Lube, 45 DEG   | 25   | 3296-25     | 4    | Nut-Lock, NI       |
| 8      | 120-8802    | 2    | HYD Cylinder ASM       | 26   | 283-55      | 2    | Pin-Clevis         |
| 9      | 120-5575    | 2    | Pin                    | 27   | 3290-467    | 2    | Pin-Hair           |
| 10     | 104-8301    | 2    | Nut-HF, NI             | 28   | 322-17      | 1    | Screw-HH           |
| 11     | 21-3001     | 2    | Nut-Jam                | 29   | 104-8331    | 1    | End-Rod, Spherical |
| 12     | 86-8101-01  | 2    | Joint-Ball, LH         | 30   | 105-3249    | 1    | Damper             |
| 12:1:1 | 32136-2     | 1    | Nut-SHH                | 31   | 115-5455    | 1    | End-Rod, Clevis    |
| 12:1:2 | 302-40      | 1    | Fitting-Grease, 90 DEG | 32   | 115-5454    | 1    | Pin-Spring         |
| 12:1:3 | 114-2874    | 1    | Seal-Ball Joint        | 33   | 302-5       | 2    | Fitting-Grease     |
| 13     | 3272-12     | 2    | Pin-Cotter             | 34   | 115-2142    | 1    | Spacer             |
| 14     | 93-4583-01  | 2    | Mount-Joint, Ball      | 35   | 87-7480     | 4    | Washer             |
| 15     | 114-8417    | 4    | Nut-HF, NI             |      |             |      |                    |





## Front Deck Installation Assembly (continued)

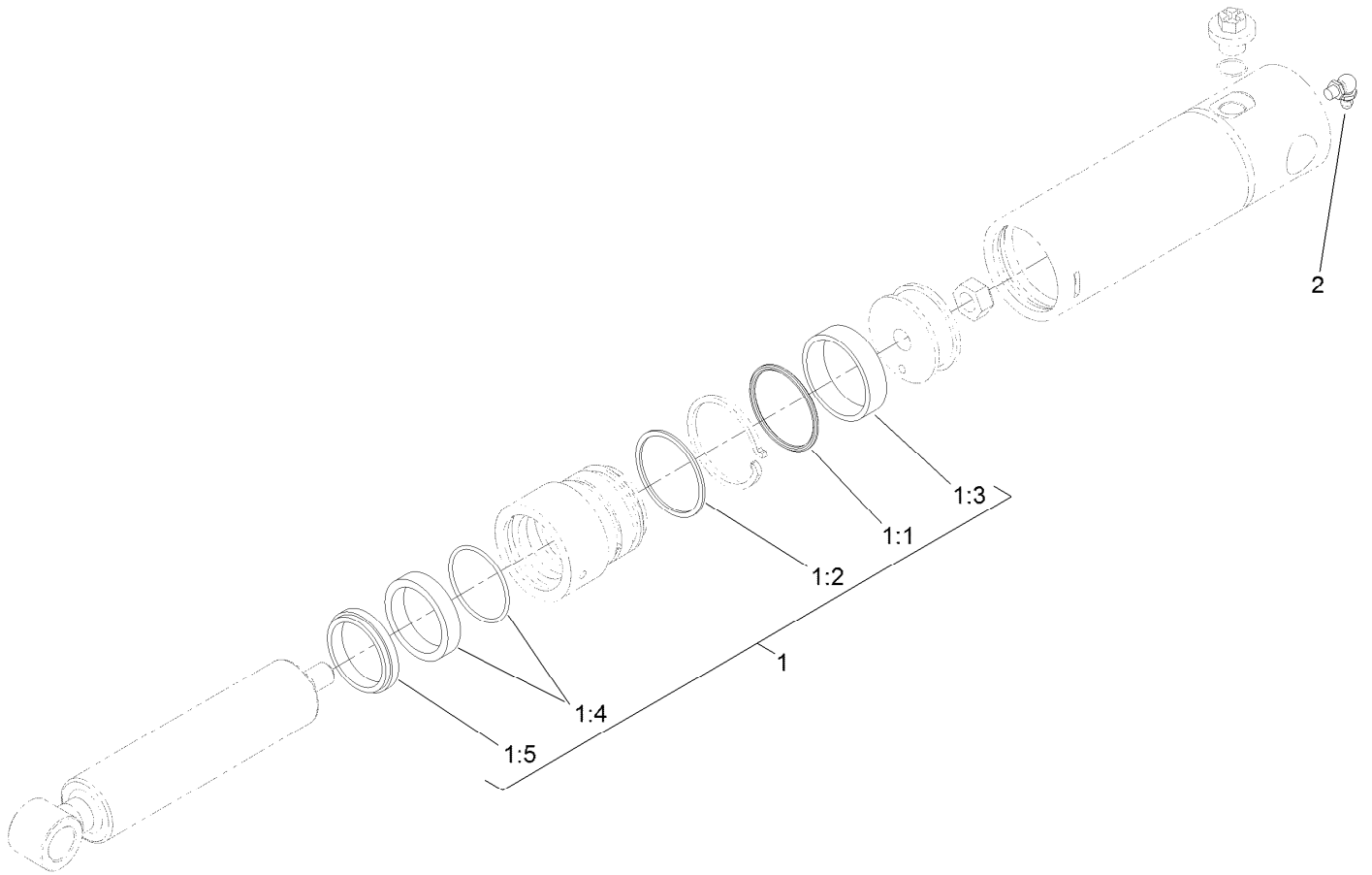
| <i>Ref.</i> | <i>Part Number</i> | <i>Qty.</i> | <i>Description</i> |
|-------------|--------------------|-------------|--------------------|
| 36          | 112-6957           | 1           | Washer-Hardened    |
| 37          | 3257-3             | 1           | Key-Woodruff       |



## Hydraulic Motor Assembly No. 127-3694

| Ref. | Part Number | Qty. | Description             |
|------|-------------|------|-------------------------|
| 2    | 110-8815    | 1    | Nut-Hex                 |
| 3    | 114-5620    | 1    | Seal Kit                |
| 3:1  |             | 1    | Seal-Shaft ●            |
| 3:2  |             | 1    | Seal-Shaft ●            |
| 3:3  |             | 2    | Seal-Anti Extrusion ●   |
| 3:4  |             | 2    | Seal-Plate, Balancing ● |
| 3:5  |             | 2    | O Ring-Housing ●        |

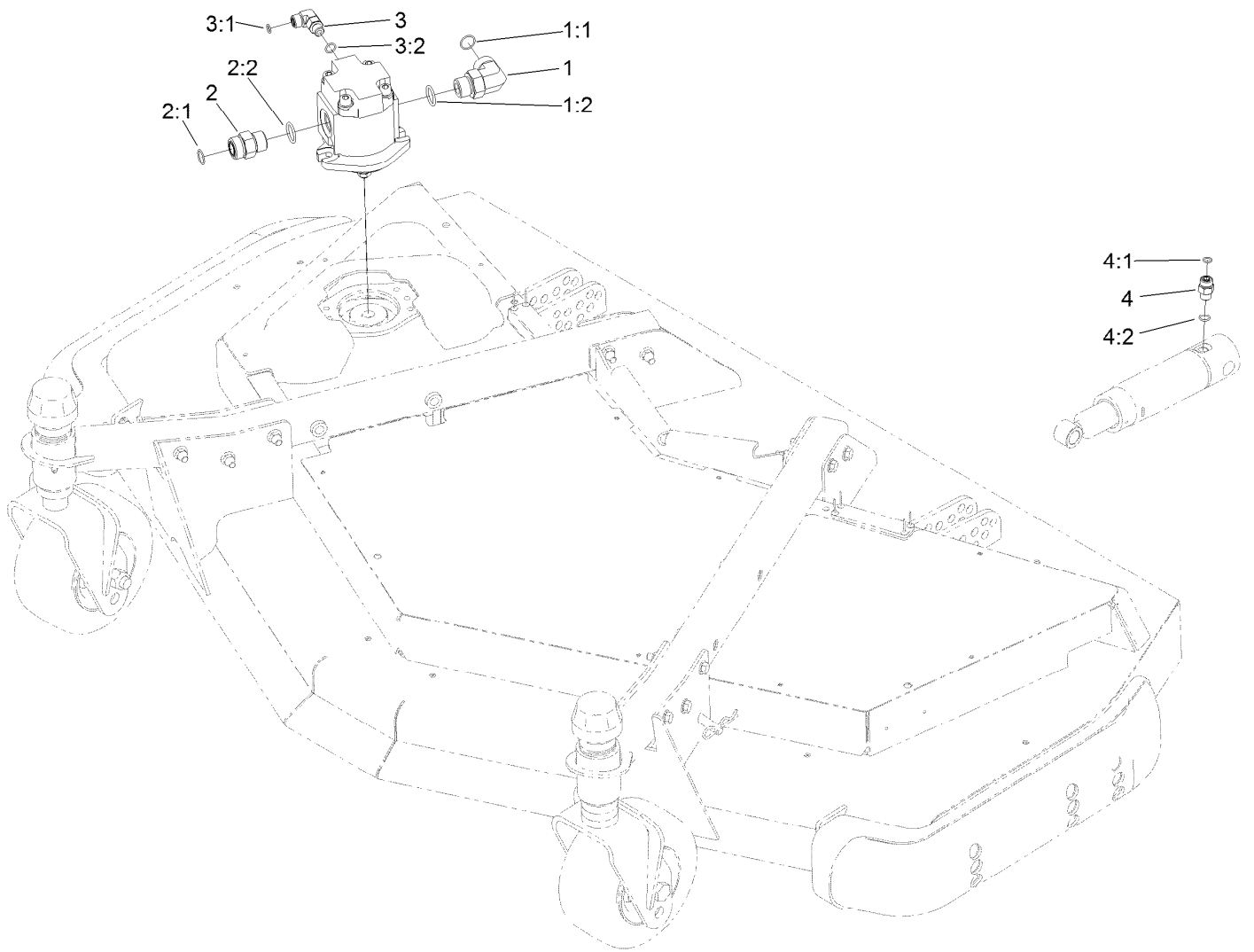
● Not serviced separately



## Lift Cylinder Assembly No. 120-8802

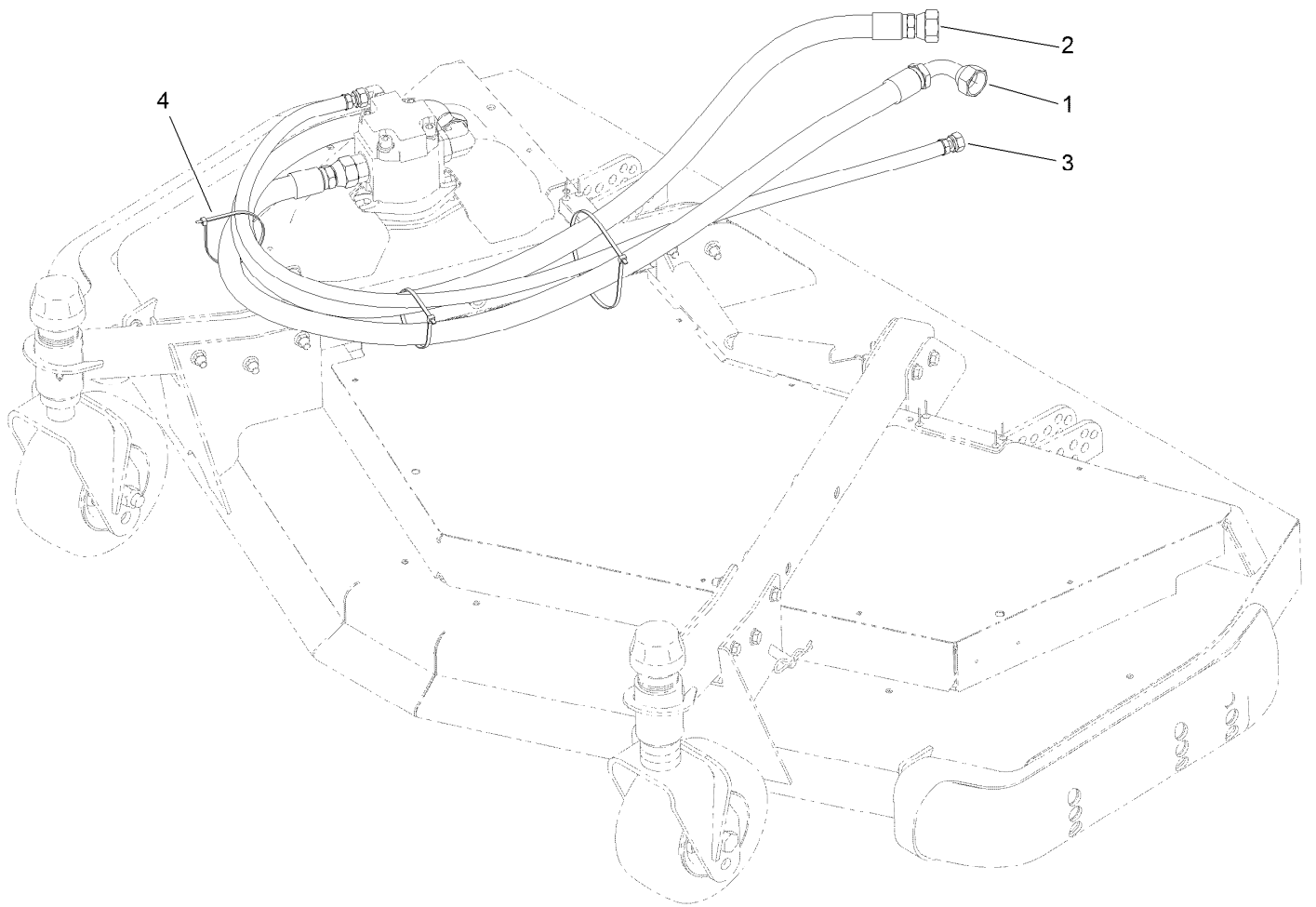
| <i>Ref.</i> | <i>Part Number</i> | <i>Qty.</i> | <i>Description</i> |
|-------------|--------------------|-------------|--------------------|
| 1           | 125-4301           | 1           | Seal Kit           |
| 1:1         |                    | 1           | O-Ring ●           |
| 1:2         |                    | 1           | Backup ●           |
| 1:3         |                    | 1           | Wear Ring ●        |
| 1:4         |                    | 1           | Bds Seal ●         |
| 1:5         |                    | 1           | Dust Seal ●        |
| 2           | 302-60             | 1           | Fitting-Grease     |

● Not serviced separately



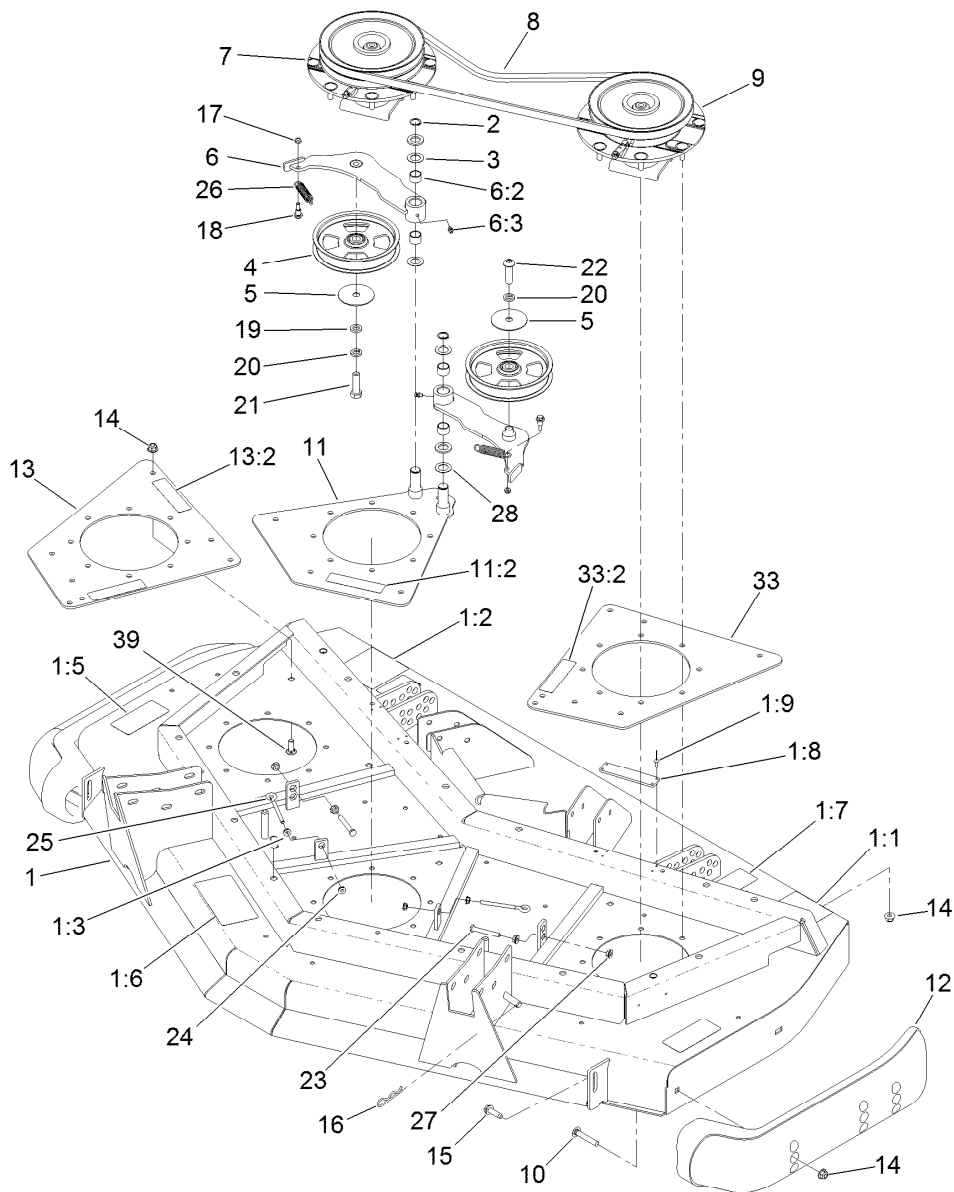
## Front Deck Hydraulic Fitting Assembly

| Ref. | Part Number | Qty. | Description           |
|------|-------------|------|-----------------------|
| 1    | 340-142     | 1    | Fitting-Elbow, 90 DEG |
| 1:1  | 237-58      | 1    | O-Ring                |
| 1:2  | 237-81      | 1    | O-Ring                |
| 2    | 340-9       | 1    | Fitting-STR           |
| 2:1  | 237-58      | 1    | O-Ring                |
| 2:2  | 237-81      | 1    | O-Ring                |
| 3    | 340-77      | 1    | Fitting-Elbow, 90 DEG |
| 3:1  | 237-22      | 1    | O-Ring                |
| 3:2  | 237-42      | 1    | O-Ring                |
| 4    | 340-2       | 2    | Fitting-Straight      |
| 4:1  | 237-22      | 1    | O-Ring                |
| 4:2  | 237-42      | 1    | O-Ring                |



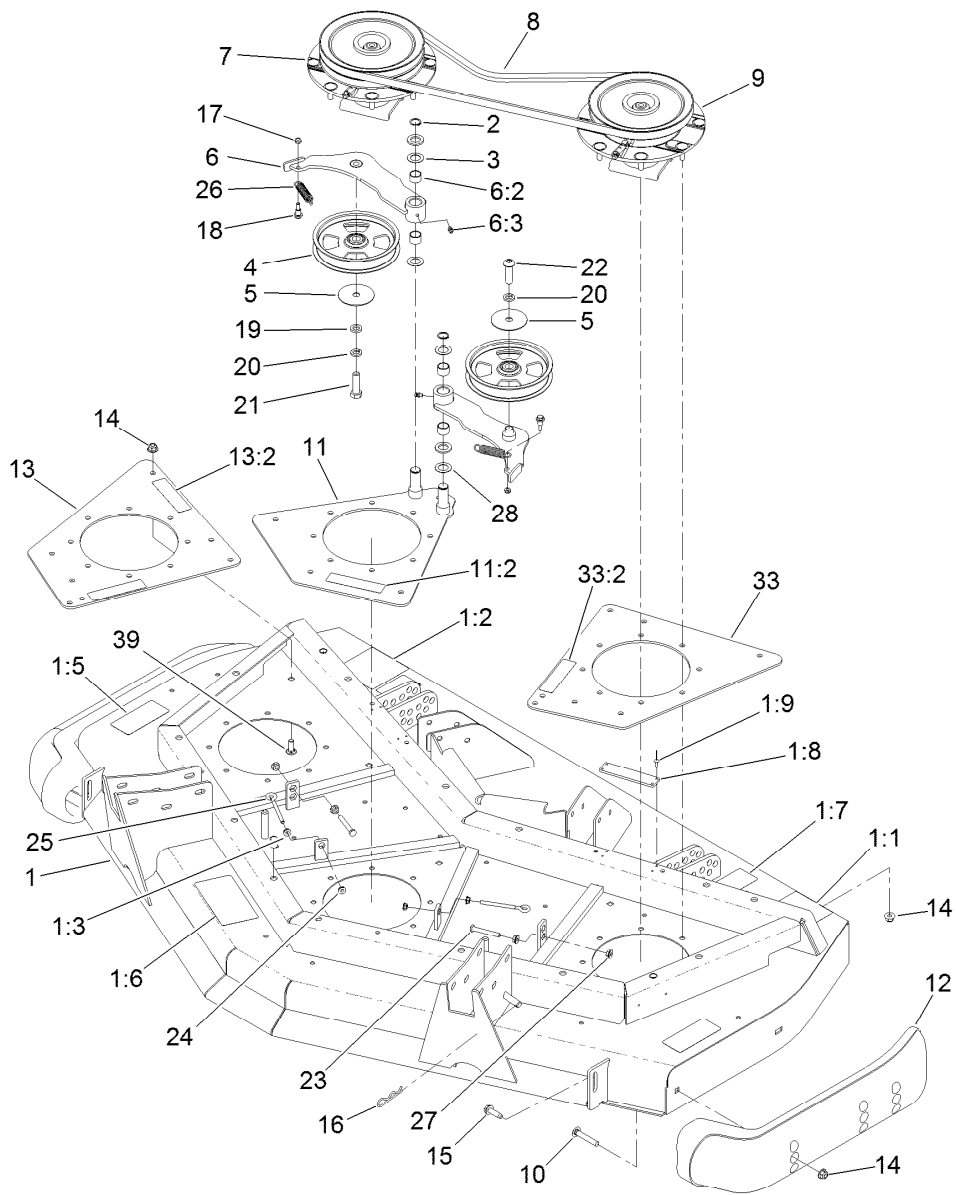
## Front Deck Hose Routing Assembly

| <i>Ref.</i> | <i>Part Number</i> | <i>Qty.</i> | <i>Description</i> |
|-------------|--------------------|-------------|--------------------|
| 1           | 120-8987           | 1           | Hose-HYD           |
| 2           | 120-8988           | 1           | Hose-HYD           |
| 3           | 120-8989           | 1           | Hose-HYD           |
| 4           | 3290-379           | 3           | Tie-Cable          |



## Front Deck Idler and Skid Assembly

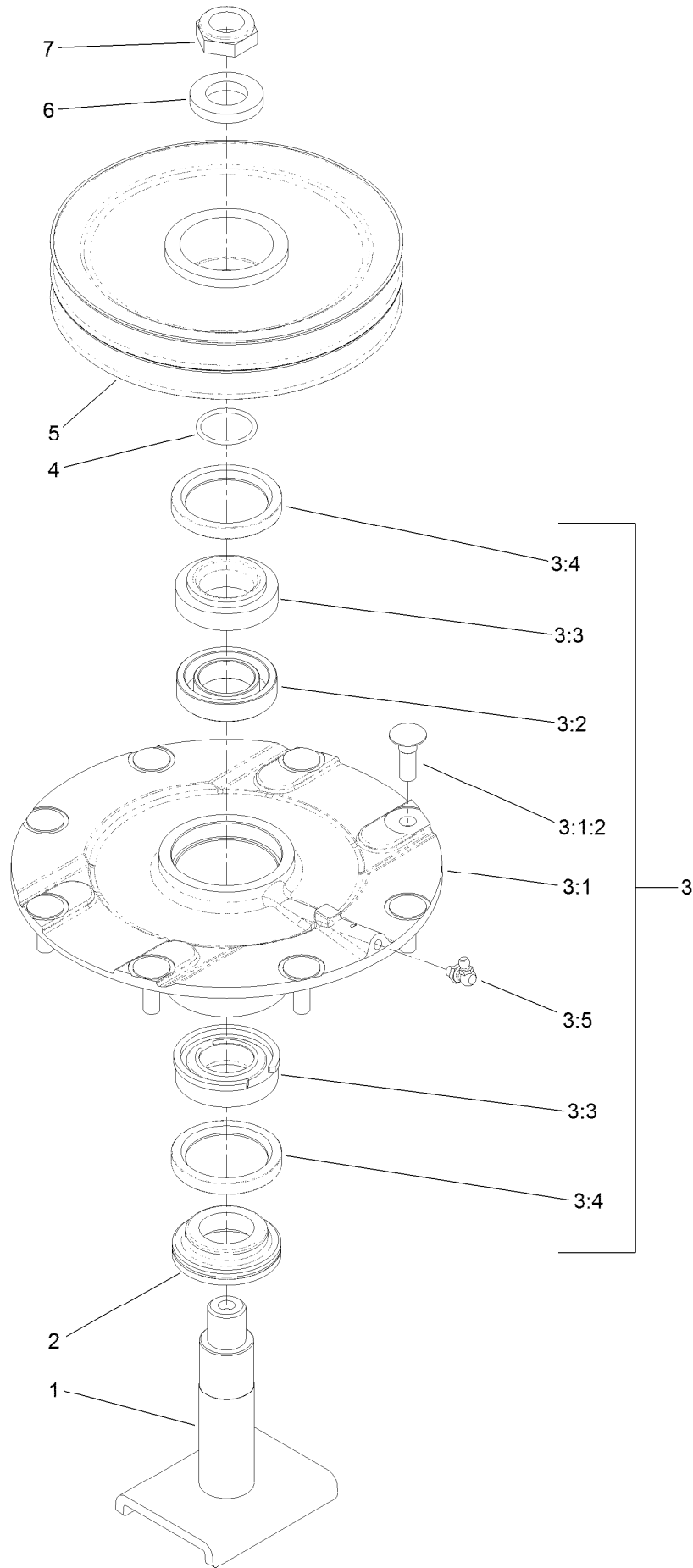
| Ref. | Part Number | Qty. | Description                 | Ref. | Part Number | Qty. | Description                |
|------|-------------|------|-----------------------------|------|-------------|------|----------------------------|
| 1    | 131-1234    | 1    | Front Deck ASM              | 11:2 | 100-6578    | 1    | Decal-Danger               |
| 1:1  | 120-6604    | 2    | Decal-Danger                | 12   | 112-1479    | 2    | Skid-Bumper, Deck          |
| 1:2  | 100-5624    | 1    | Decal-HOC, RH               | 13   | 131-1238    | 1    | Plate-Spindle, Front Right |
| 1:3  | 32148-9     | 3    | Nut-Clinch                  | 13:2 | 100-6578    | 2    | Decal-Danger               |
| 1:5  | 93-7818     | 2    | Decal-Torque, Blade Bolt    | 14   | 104-8301    | 36   | Nut-HF, NI                 |
| 1:6  | 100-5622    | 1    | Decal-HOC                   | 15   | 9136144     | 2    | Screw-HWHTF                |
| 1:7  | 104-3578    | 1    | Decal-HOC, LH               | 16   | 3290-355    | 1    | Pin-Hair                   |
| 1:8  | 105-0786    | 2    | Pad-Plastic                 | 17   | 3296-56     | 2    | Nut-Lock, NI               |
| 1:9  | 3269-8      | 8    | Rivet-Blind                 | 18   | 104-0858    | 2    | Bolt-Shoulder              |
| 2    | 32120-72    | 2    | Ring-Snap                   | 19   | 9202424     | 1    | Spacer                     |
| 3    | 3-6498      | 4    | Washer-Thrust               | 20   | 3253-7      | 2    | Washer-Lock                |
| 4    | 132-9421    | 2    | Pulley-Idler, Flat          | 21   | 325-7       | 1    | Screw-HH                   |
| 5    | 100-3102    | 2    | Washer-Flat                 | 22   | 108-1993    | 1    | Screw-HSBH                 |
| 6    | 110-6128    | 2    | Idler Arm ASM               | 23   | 9114524     | 2    | Bolt-TAP, HH               |
| 6:2  | 256-76      | 2    | Bushing                     | 24   | 32128-14    | 4    | Nut-HF                     |
| 6:3  | 302-5       | 1    | Fitting-Grease              | 25   | 68-0090     | 4    | Screw-Adjusting            |
| 7    | 119-4548    | 1    | Double Driven Spindle ASM   | 26   | 107938      | 2    | Spring-Extension           |
| 8    | 108-8076    | 2    | V-Belt, Deck                | 27   | 32128-26    | 4    | Nut-Flange                 |
| 9    | 119-4549    | 1    | High-Driven Spindle ASM     | 28   | 70-1160     | 2    | Washer                     |
| 10   | 3231-33     | 4    | Screw-CARR                  | 33   | 131-1239    | 1    | Plate-Spindle, Front Left  |
| 11   | 131-1237    | 1    | Plate-Spindle, Front Center |      |             |      |                            |



## Front Deck Idler and Skid Assembly (continued)

| Ref. | Part Number | Qty. | Description  |
|------|-------------|------|--------------|
| 33:2 | 100-6578    | 1    | Decal-Danger |
| 39   | 3231-22     | 12   | Screw-CARR   |

# Double Driven Spindle Assembly No. 119-4548



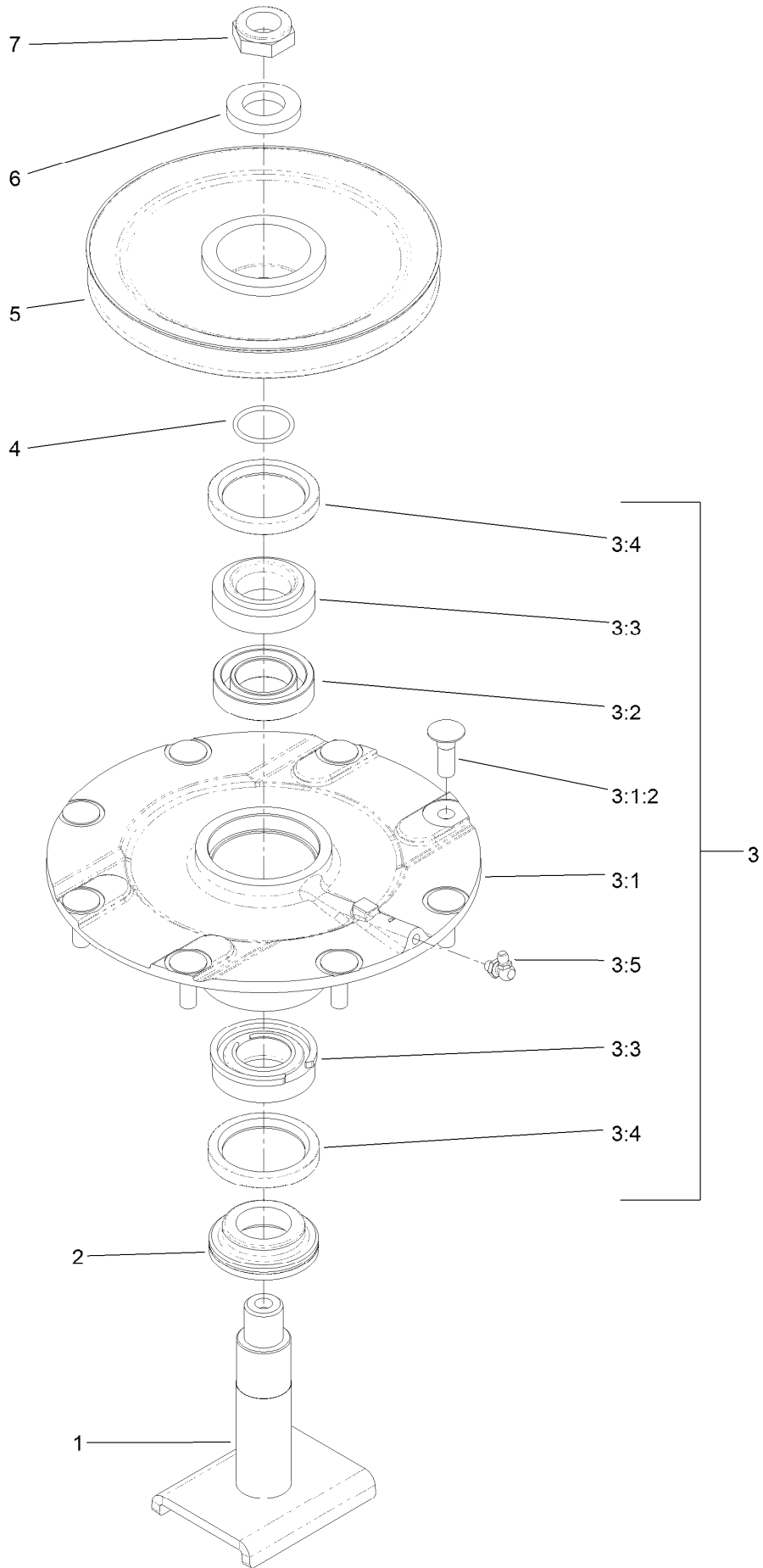


# Double Driven Spindle Assembly No. 119-4548 (continued)

| <i>Ref.</i> | <i>Part Number</i> | <i>Qty.</i> | <i>Description</i>    | <i>Ref.</i> | <i>Part Number</i> | <i>Qty.</i> | <i>Description</i>    |
|-------------|--------------------|-------------|-----------------------|-------------|--------------------|-------------|-----------------------|
| 1           | 104-3554           | 1           | Shaft-Spindle         | 3:4         | 253-154            | 2           | Seal-Oil              |
| 2           | 69-6950            | 1           | Spacer-Shaft, Spindle | 3:5         | 302-60             | 1           | Fitting-Grease        |
| 3           | 119-4775           | 1           | Spindle Housing ASM   | 4           | 106-7159           | 1           | O-Ring                |
| 3:1         |                    | 1           | Spindle ASM ●         | 5           | 104-3547           | 1           | Pulley-Driven, Double |
| 3:1:2       | 114-8195           | 8           | Bolt-Neck, Ribbed     | 6           | 120-5576           | 1           | Washer-Hardened       |
| 3:2         | 120-5577           | 1           | Bearing Spacer Set    | 7           | 3296-60            | 1           | Nut-Lock, NI          |
| 3:3         | 110-8297           | 1           | Bearing ASM           |             |                    |             |                       |

● Not serviced separately

# High Driven Spindle Assembly No. 119-4549

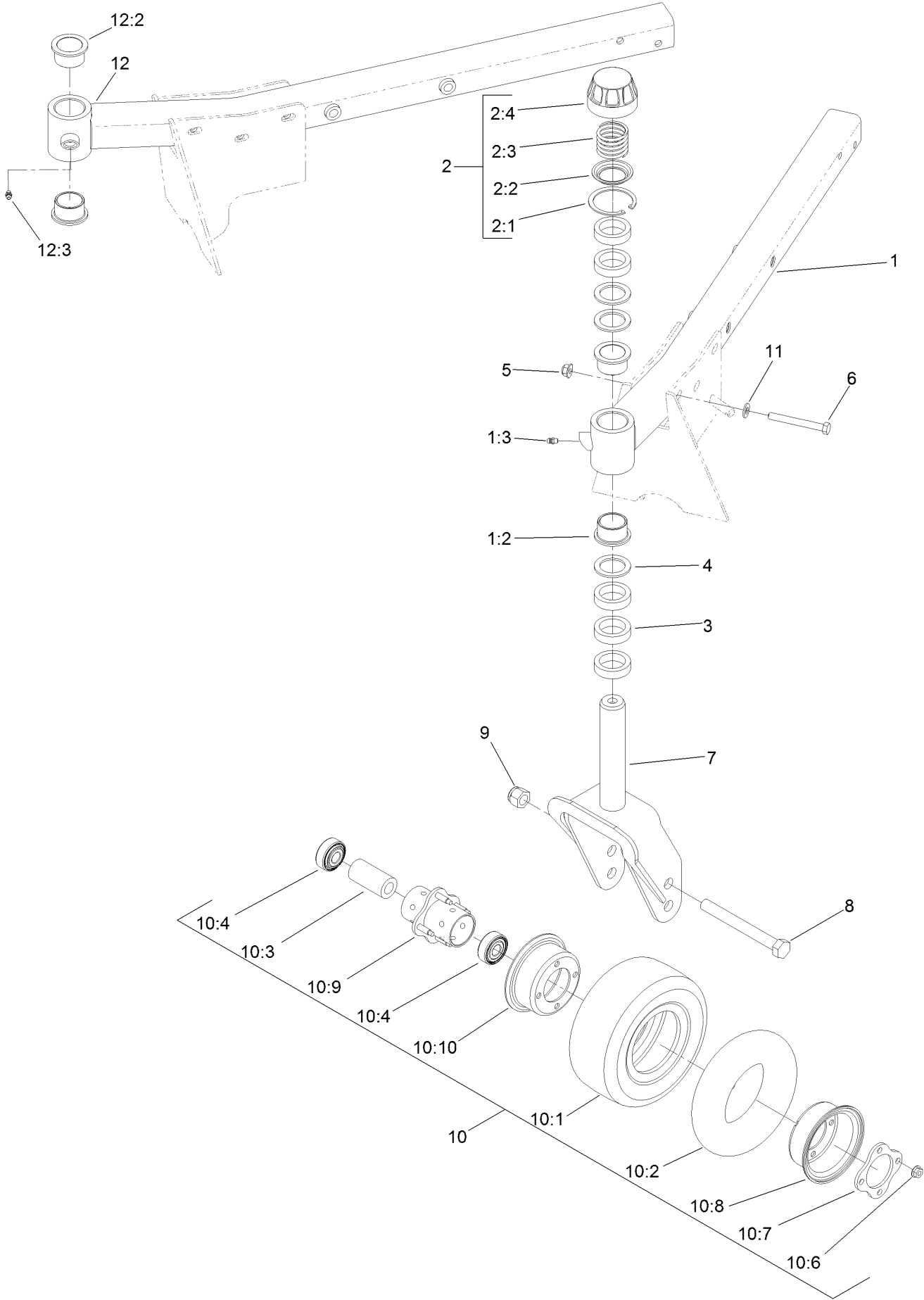


# High Driven Spindle Assembly No. 119-4549 (continued)

| <i>Ref.</i> | <i>Part Number</i> | <i>Qty.</i> | <i>Description</i>    | <i>Ref.</i> | <i>Part Number</i> | <i>Qty.</i> | <i>Description</i>  |
|-------------|--------------------|-------------|-----------------------|-------------|--------------------|-------------|---------------------|
| 1           | 104-3554           | 1           | Shaft-Spindle         | 3:4         | 253-154            | 2           | Seal-Oil            |
| 2           | 69-6950            | 1           | Spacer-Shaft, Spindle | 3:5         | 302-60             | 1           | Fitting-Grease      |
| 3           | 119-4775           | 1           | Spindle Housing ASM   | 4           | 106-7159           | 1           | O-Ring              |
| 3:1         |                    | 1           | Spindle ASM ●         | 5           | 104-3548           | 1           | Pulley-Driven, High |
| 3:1:2       | 114-8195           | 8           | Bolt-Neck, Ribbed     | 6           | 120-5576           | 1           | Washer-Hardened     |
| 3:2         | 120-5577           | 1           | Bearing Spacer Set    | 7           | 3296-60            | 1           | Nut-Lock, NI        |
| 3:3         | 110-8297           | 1           | Bearing ASM           |             |                    |             |                     |

● Not serviced separately

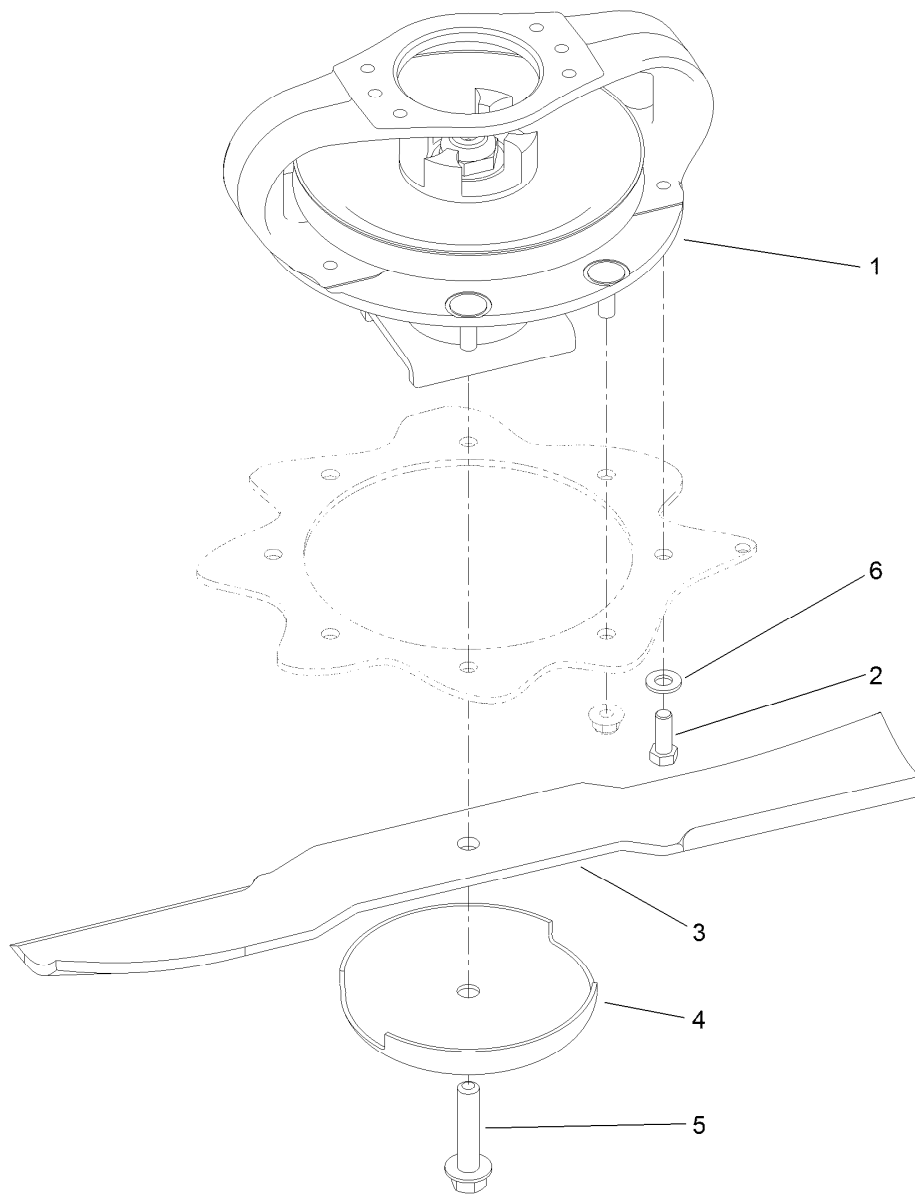
# Front Deck Caster Arm and Wheel Assembly



## Front Deck Caster Arm and Wheel Assembly (continued)

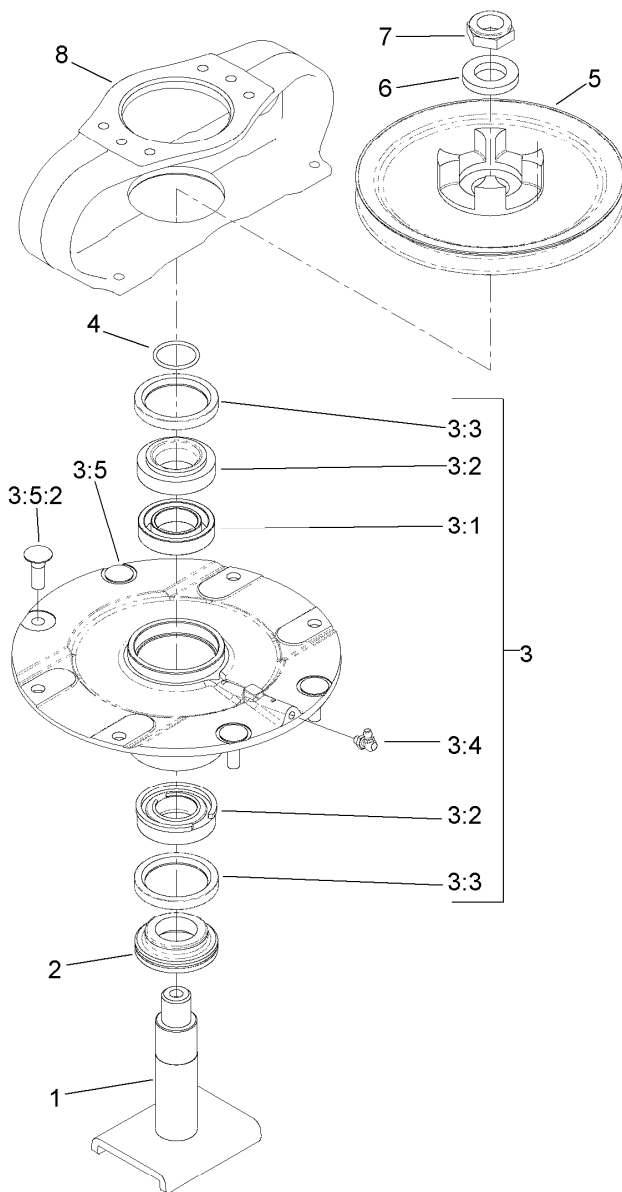
| <i>Ref.</i> | <i>Part Number</i> | <i>Qty.</i> | <i>Description</i>                | <i>Ref.</i> | <i>Part Number</i> | <i>Qty.</i> | <i>Description</i>    |
|-------------|--------------------|-------------|-----------------------------------|-------------|--------------------|-------------|-----------------------|
| 1           | 132-6169           | 1           | LH Caster Arm ASM                 | 10          | 93-9938            | 2           | Wheel ASM             |
| 1:2         | 69-6470            | 2           | Bushing-Caster                    | 10:1        | 93-9939            | 1           | Tire                  |
| 1:3         | 302-5              | 1           | Fitting-Grease                    | 10:2        | 68-8950            | 1           | Tube-Inner (W/Valve)  |
| 2           | 92-9727            | 2           | HOC Cap ASM                       | 10:3        | 93-4241            | 1           | Spacer-Bearing, Inner |
| 2:1         | 92-5581            | 1           | Ring-Retaining                    | 10:4        | 120-3366           | 2           | Bearing               |
| 2:2         | 92-5583            | 1           | Washer-Cap                        | 10:6        | 32128-16           | 4           | Nut-HHF               |
| 2:3         | 92-9726            | 1           | Spring-Compression                | 10:7        | 93-4242            | 1           | Plate                 |
| 2:4         | 92-8861            | 1           | Cap-HOC                           | 10:8        | 93-4239            | 1           | Rim-Wheel, Half       |
| 3           | 69-1510            | 10          | Spacer                            | 10:9        | 93-5980            | 1           | Hub                   |
| 4           | 69-6860            | 6           | Washer-Thrust                     | 10:10       | 95-2741            | 1           | Rim-Wheel, Half       |
| 5           | 104-8301           | 10          | Nut-HF, NI                        | 11          | 3256-24            | 10          | Washer-Flat           |
| 6           | 323-20             | 10          | Screw-HH                          | 12          | 132-6176           | 1           | RH Caster Arm ASM     |
| 7           | 130-2736-01        | 2           | Fork-Caster                       | 12:2        | 69-6470            | 2           | Bushing-Caster        |
| 8           | 327-24             | 2           | Screw-HH                          | 12:3        | 302-5              | 1           | Fitting-Grease        |
| 9           | 3296-53            | 2           | Nut-Lock, NI                      |             |                    |             |                       |
| 10          | 93-5974            | 2           | 8 Inch Foam Filled Wheel<br>ASM ● |             |                    |             |                       |

● Optional Equipment



## Front Deck Driving Spindle Assembly

| <i>Ref.</i> | <i>Part Number</i> | <i>Qty.</i> | <i>Description</i>  |
|-------------|--------------------|-------------|---------------------|
| 1           | 119-4547           | 1           | Driving Spindle ASM |
| 2           | 323-6              | 4           | Screw-HH            |
| 3           | 92-5608-03         | 3           | Blade               |
| 4           | 72-9361            | 3           | Cup-Scalp, Anti     |
| 5           | 92-5816            | 3           | Bolt-Blade          |
| 6           | 3256-24            | 4           | Washer-Flat         |

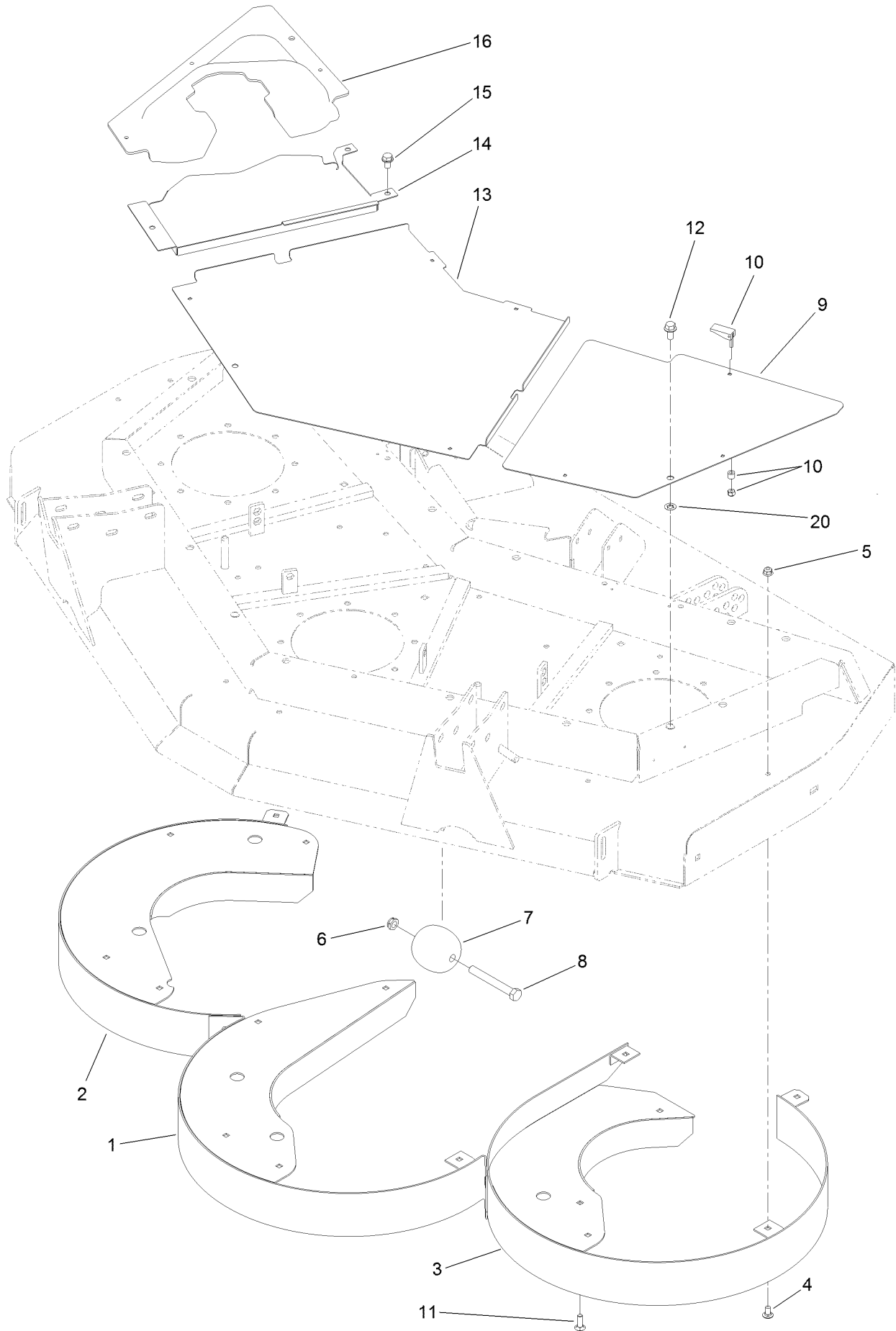


## Driven Spindle Assembly No. 119-4547

| Ref.  | Part Number | Qty. | Description           |
|-------|-------------|------|-----------------------|
| 1     | 104-3554    | 1    | Shaft-Spindle         |
| 2     | 69-6950     | 1    | Spacer-Shaft, Spindle |
| 3     | 119-4546    | 1    | Spindle Housing ASM   |
| 3:1   | 120-5577    | 1    | Bearing Spacer Set    |
| 3:2   | 110-8297    | 1    | Bearing ASM           |
| 3:3   | 253-154     | 2    | Seal-Oil              |
| 3:4   | 302-60      | 1    | Fitting-Grease        |
| 3:5   |             | 1    | Spindle ASM ●         |
| 3:5:2 | 114-8195    | 4    | Bolt-Neck, Ribbed     |
| 4     | 106-7159    | 1    | O-Ring                |
| 5     | 104-3545    | 1    | Pulley-Driving        |
| 6     | 120-5576    | 1    | Washer-Hardened       |
| 7     | 3296-60     | 1    | Nut-Lock, NI          |
| 8     | 104-3544    | 1    | Mount-Motor, Drive    |

● Not serviced separately

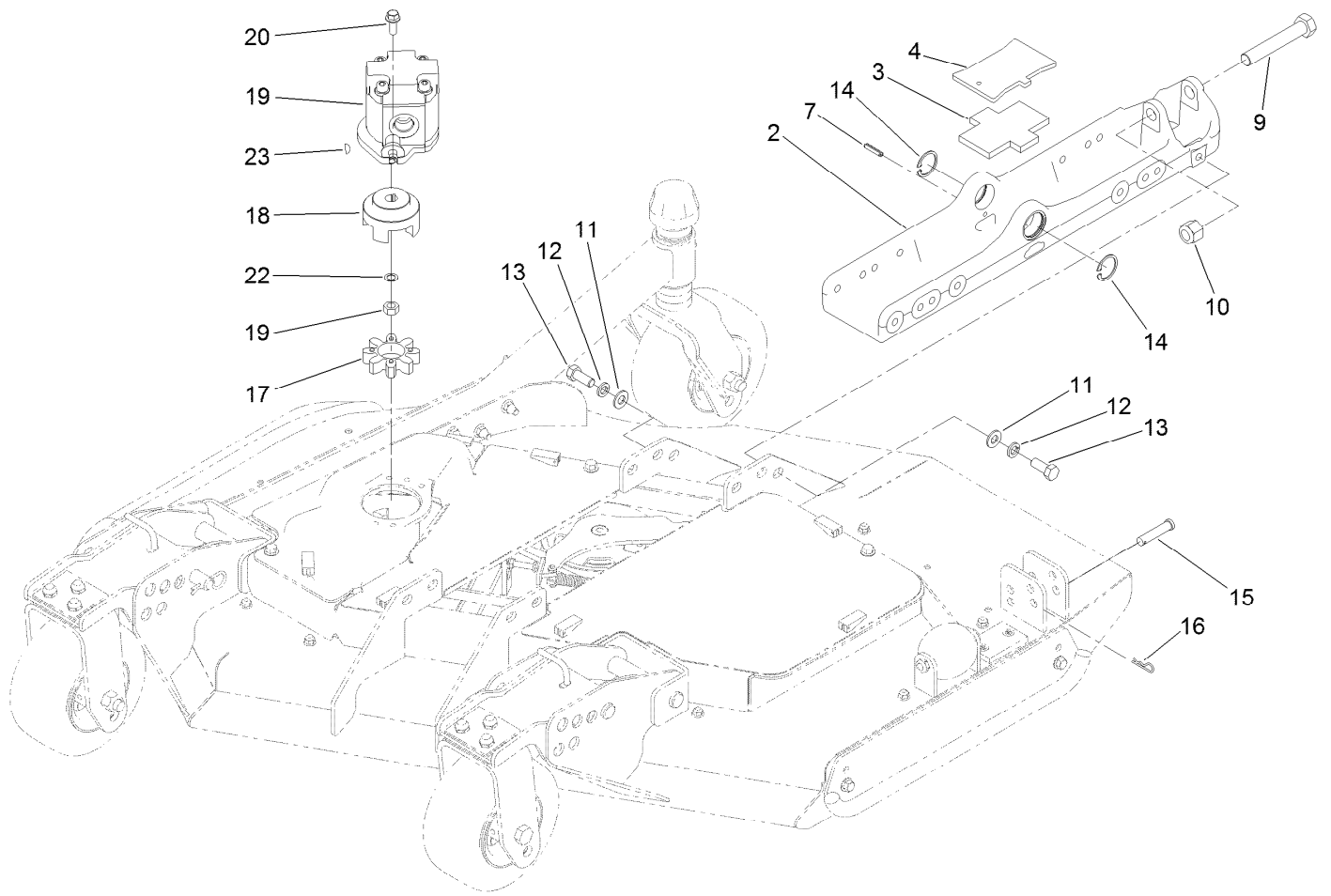
# Front Deck Cutting Chamber, Cover and Roller Assembly





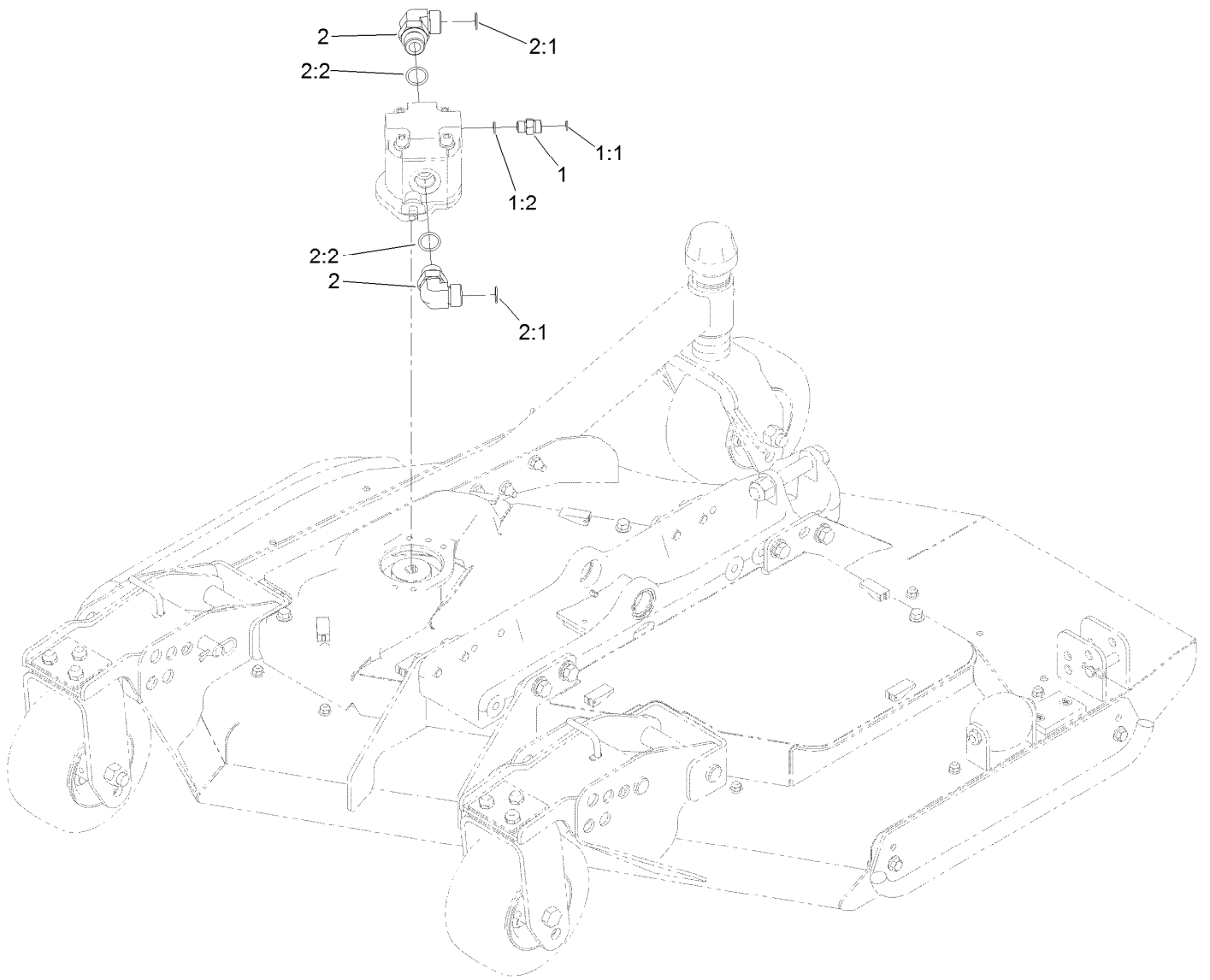
## Front Deck Cutting Chamber, Cover and Roller Assembly (continued)

| <i>Ref.</i> | <i>Part Number</i> | <i>Qty.</i> | <i>Description</i> | <i>Ref.</i> | <i>Part Number</i> | <i>Qty.</i> | <i>Description</i>  |
|-------------|--------------------|-------------|--------------------|-------------|--------------------|-------------|---------------------|
| 1           | 130-2650-01        | 1           | Chamber-Center     | 10          | 74-5950            | 10          | Latch-Swell         |
| 2           | 130-2674-01        | 1           | Chamber-RH         | 11          | 3230-22            | 3           | Screw-CARR          |
| 3           | 130-2675-01        | 1           | Chamber-LH         | 12          | 3234-1             | 3           | Screw-HHF           |
| 4           | 3230-18            | 15          | Screw-CARR         | 13          | 100-5660-03        | 1           | Cover-Front, Center |
| 5           | 104-8300           | 18          | Nut-HF, NI         | 14          | 100-5662-03        | 1           | Cover-Front, RH     |
| 6           | 3296-45            | 2           | Nut-Hex            | 15          | 32144-69           | 3           | Screw-HWHTF         |
| 7           | 29-4820            | 2           | Roller             | 16          | 100-5661           | 1           | Cover-Front, Center |
| 8           | 325-17             | 2           | Screw-HH           | 20          | 107-3154           | 3           | Nut-Push            |
| 9           | 100-5663-03        | 1           | Cover-Front, LH    |             |                    |             |                     |



## Right Deck Mount Assembly

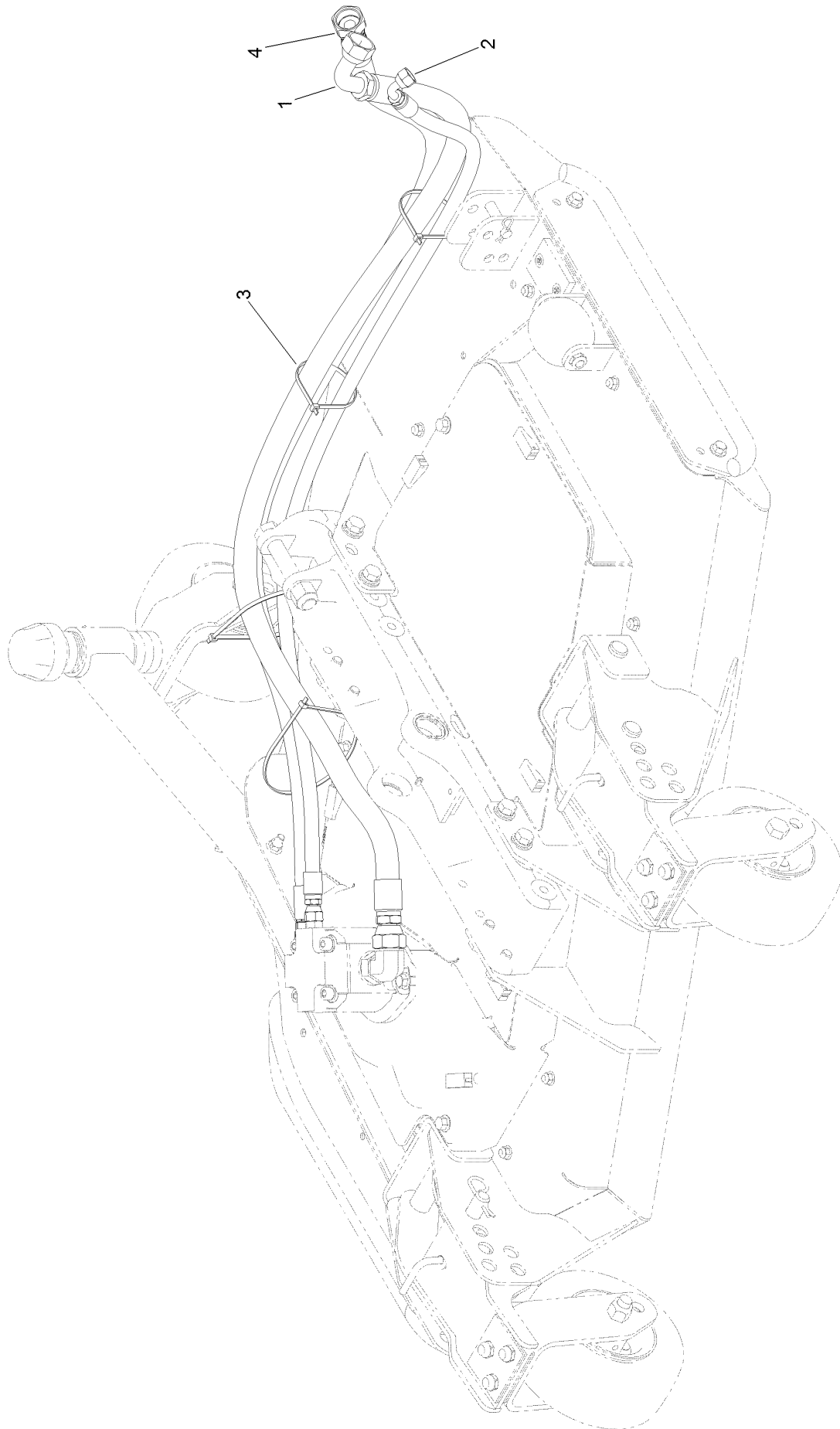
| <i>Ref.</i> | <i>Part Number</i> | <i>Qty.</i> | <i>Description</i> | <i>Ref.</i> | <i>Part Number</i> | <i>Qty.</i> | <i>Description</i> |
|-------------|--------------------|-------------|--------------------|-------------|--------------------|-------------|--------------------|
| 2           | 136-0033-03        | 1           | Mount-Deck         | 14          | 32120-42           | 2           | Ring-Retaining     |
| 3           | 104-8348           | 1           | Plate-Rubber       | 15          | 92-2739            | 1           | Pin-Clevis         |
| 4           | 136-0041-03        | 1           | Plate              | 16          | 3290-467           | 1           | Pin-Hair           |
| 7           | 32121-69           | 1           | Pin-Spring         | 17          | 104-3542           | 1           | Spider             |
| 9           | 328-8              | 1           | Screw-HH           | 18          | 104-3541           | 1           | Hub-Spider         |
| 10          | 3296-51            | 1           | Nut-Lock, NI       | 19          | 127-3694           | 1           | HYD Motor ASM      |
| 11          | 3256-26            | 8           | Washer-Flat        | 20          | 3234-42            | 2           | Screw-HHF          |
| 12          | 3253-7             | 8           | Washer-Lock        | 22          | 112-6957           | 1           | Washer-Hardened    |
| 13          | 325-5              | 8           | Screw-HH           | 23          | 3257-3             | 1           | Key-Woodruff       |



## Right Deck Hydraulic Fitting Assembly

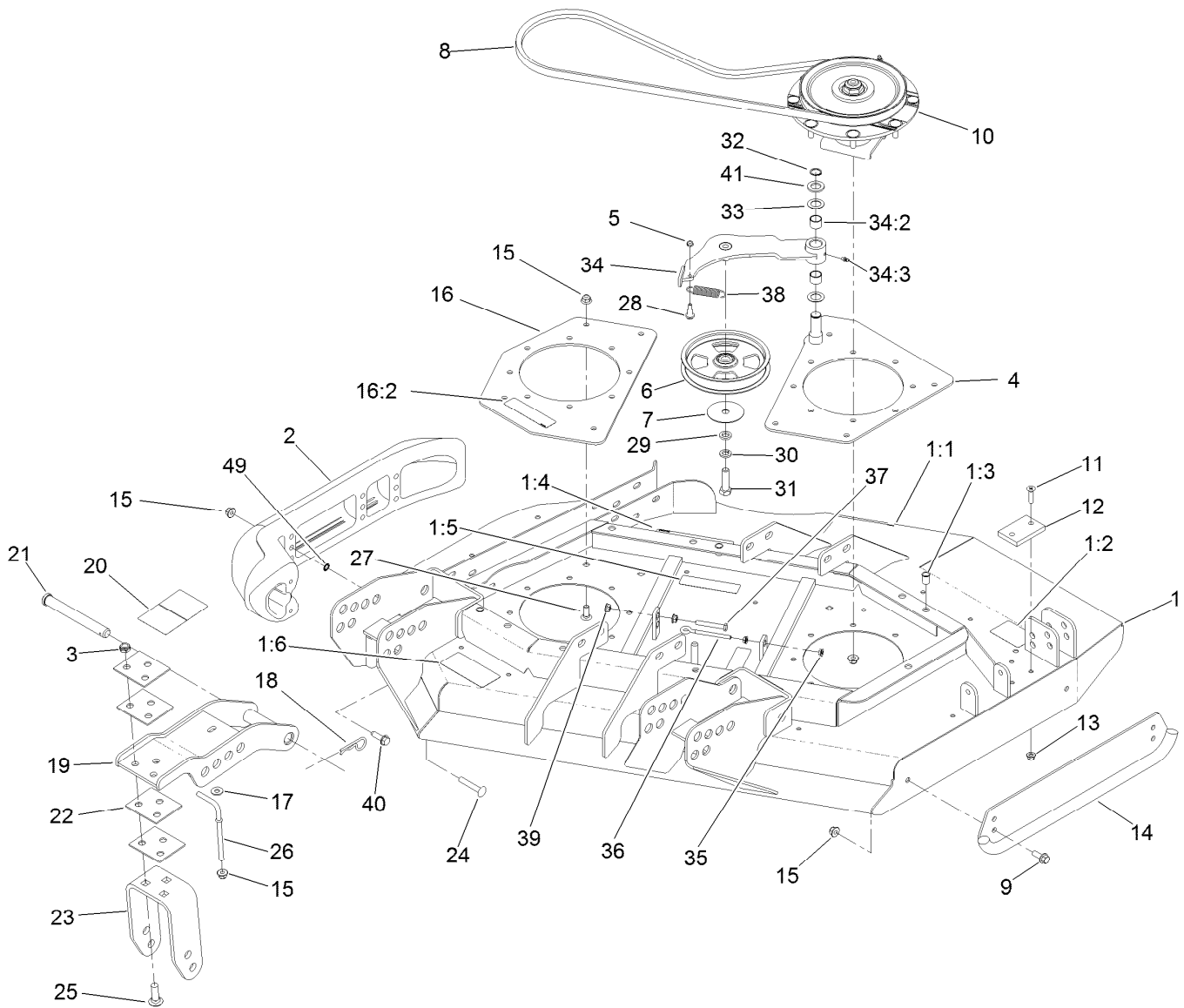
| <i>Ref.</i> | <i>Part Number</i> | <i>Qty.</i> | <i>Description</i>    |
|-------------|--------------------|-------------|-----------------------|
| 1           | 340-2              | 1           | Fitting-Straight      |
| 1:1         | 237-22             | 1           | O-Ring                |
| 1:2         | 237-42             | 1           | O-Ring                |
| 2           | 340-142            | 2           | Fitting-Elbow, 90 DEG |
| 2:1         | 237-58             | 1           | O-Ring                |
| 2:2         | 237-81             | 1           | O-Ring                |

# Right Deck Hose Assembly



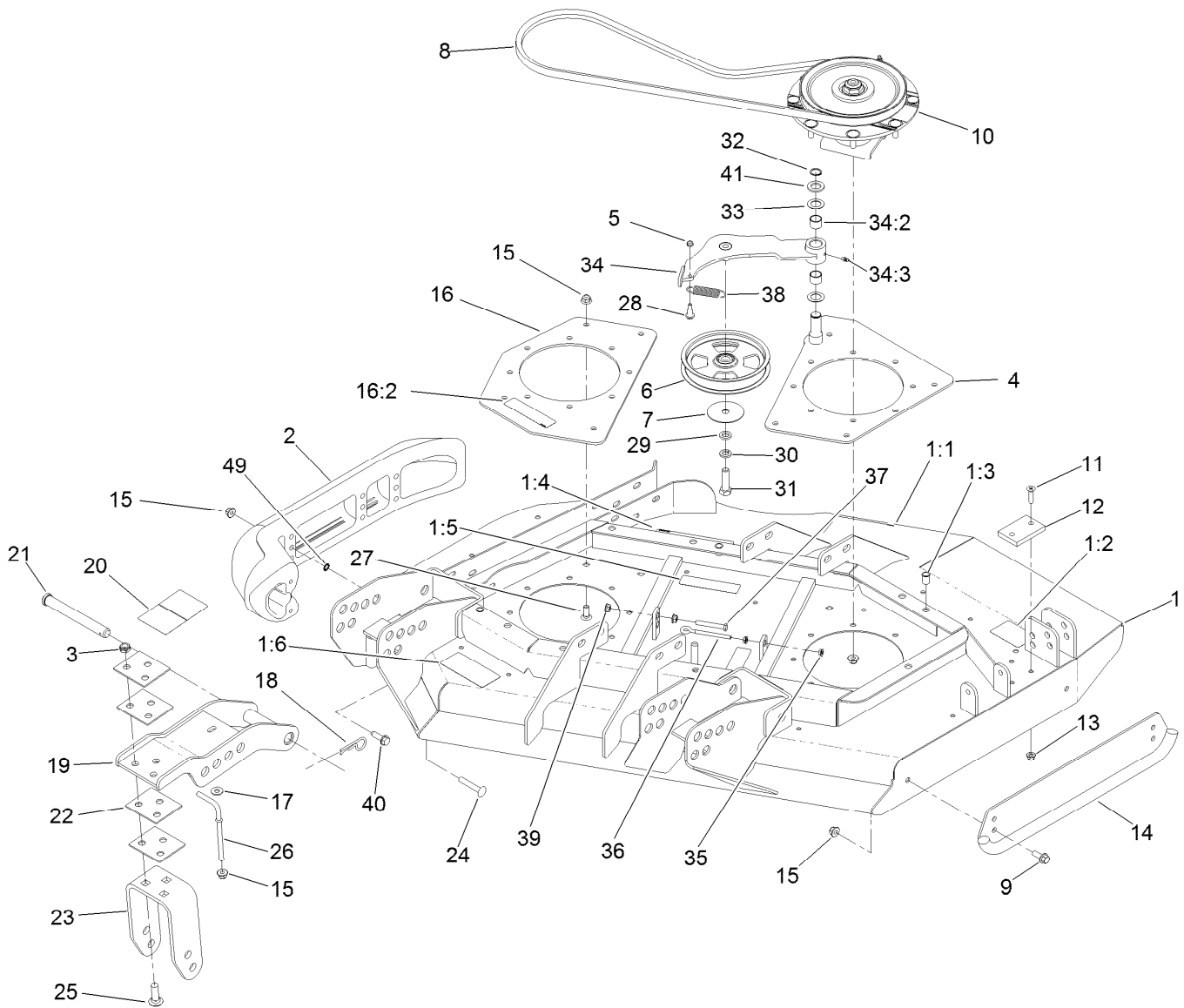
## Right Deck Hose Assembly (continued)

| <i>Ref.</i> | <i>Part Number</i> | <i>Qty.</i> | <i>Description</i> | <i>Ref.</i> | <i>Part Number</i> | <i>Qty.</i> | <i>Description</i> |
|-------------|--------------------|-------------|--------------------|-------------|--------------------|-------------|--------------------|
| 1           | 120-8959           | 1           | Hose-HYD           | 3           | 3290-379           | 4           | Tie-Cable          |
| 2           | 104-2265           | 1           | Hose-HYD           | 4           | 132-6116           | 1           | Hose-HYD           |



## Right Deck, Idler and Skid Assembly

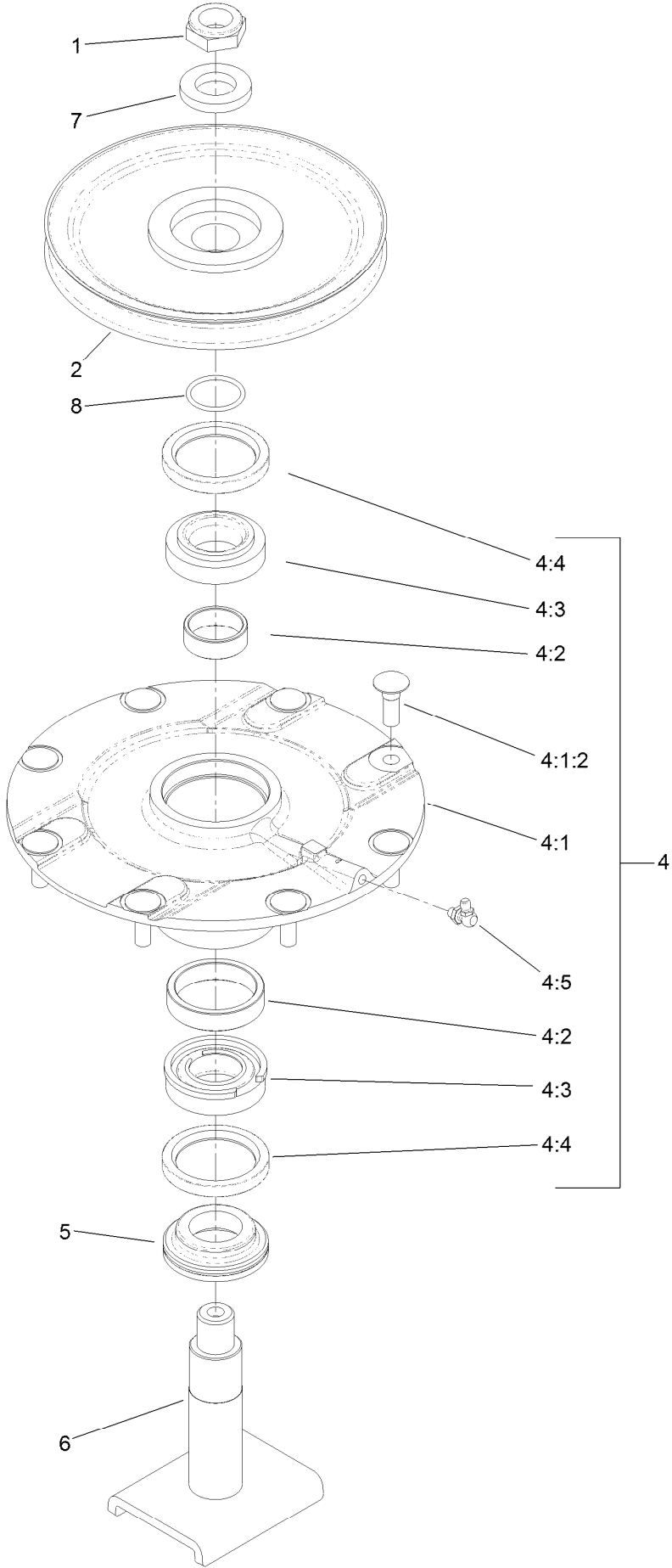
| Ref. | Part Number | Qty. | Description              | Ref. | Part Number | Qty. | Description    |
|------|-------------|------|--------------------------|------|-------------|------|----------------|
| 1    | 131-1235    | 1    | Right Deck ASM           | 16   | 131-1243    | 1    | Plate-Spindle  |
| 1:1  | 120-6604    | 1    | Decal-Danger             | 16:2 | 100-6578    | 1    | Decal-Danger   |
| 1:2  | 100-5694    | 1    | Decal-Rear HOC, RH       | 17   | 3256-3      | 2    | Washer-Flat    |
| 1:3  | 32148-9     | 3    | Nut-Clinch               | 18   | 3290-343    | 4    | Pin-Hair       |
| 1:4  | 100-5622    | 1    | Decal-HOC                | 19   | 132-6150-01 | 2    | Bracket-Caster |
| 1:5  | 100-6578    | 2    | Decal-Danger             | 20   | 100-5623    | 1    | Decal-HOC      |
| 1:6  | 93-7818     | 1    | Decal-Torque, Blade Bolt | 21   | 120-5587    | 4    | Pin-Clevis     |
| 2    | 112-1479    | 1    | Skid-Bumper, Deck        | 22   | 104-7524    | 8    | Shim           |
| 3    | 3296-45     | 6    | Nut-Hex                  | 23   | 132-6157-01 | 2    | Bracket-Fork   |
| 4    | 131-1231-01 | 1    | Plate-Stiffener          | 24   | 3231-33     | 2    | Screw-CARR     |
| 5    | 3296-56     | 1    | Nut-Lock, NI             | 25   | 3233-2      | 6    | Screw-CARR     |
| 6    | 132-9421    | 1    | Pulley-Idler, Flat       | 26   | 106-2047    | 2    | Rod-Tension    |
| 7    | 100-3102    | 1    | Washer-Flat              | 27   | 3231-22     | 8    | Screw-CARR     |
| 8    | 108-8076    | 1    | V-Belt, Deck             | 28   | 104-0858    | 1    | Bolt-Shoulder  |
| 9    | 3234-42     | 2    | Screw-HHF                | 29   | 9202424     | 1    | Spacer         |
| 10   | 119-4776    | 1    | Low-Driven Spindle ASM   | 30   | 3253-7      | 1    | Washer-Lock    |
| 11   | 32108-103   | 2    | Screw-FH                 | 31   | 325-7       | 1    | Screw-HH       |
| 12   | 69-9290     | 1    | Pad-Bumper               | 32   | 32120-72    | 1    | Ring-Snap      |
| 13   | 104-8300    | 2    | Nut-HF, NI               | 33   | 3-6498      | 2    | Washer-Thrust  |
| 14   | 104-2250-01 | 1    | Skid-Side                | 34   | 110-6128    | 1    | Idler Arm ASM  |
| 15   | 104-8301    | 26   | Nut-HF, NI               | 34:2 | 256-76      | 2    | Bushing        |



## Right Deck, Idler and Skid Assembly (continued)

| <i>Ref.</i> | <i>Part Number</i> | <i>Qty.</i> | <i>Description</i> | <i>Ref.</i> | <i>Part Number</i> | <i>Qty.</i> | <i>Description</i> |
|-------------|--------------------|-------------|--------------------|-------------|--------------------|-------------|--------------------|
| 34:3        | 302-5              | 1           | Fitting-Grease     | 39          | 32128-26           | 2           | Nut-Flange         |
| 35          | 32128-14           | 2           | Nut-HF             | 40          | 9136144            | 1           | Screw-HWHTF        |
| 36          | 68-0090            | 1           | Screw-Adjusting    | 41          | 70-1160            | 1           | Washer             |
| 37          | 9114524            | 1           | Bolt-TAP, HH       | 49          | 32151-72           | 2           | Ring-Retaining     |
| 38          | 107938             | 1           | Spring-Extension   |             |                    |             |                    |

# Low Driven Spindle Assembly No. 119-4776



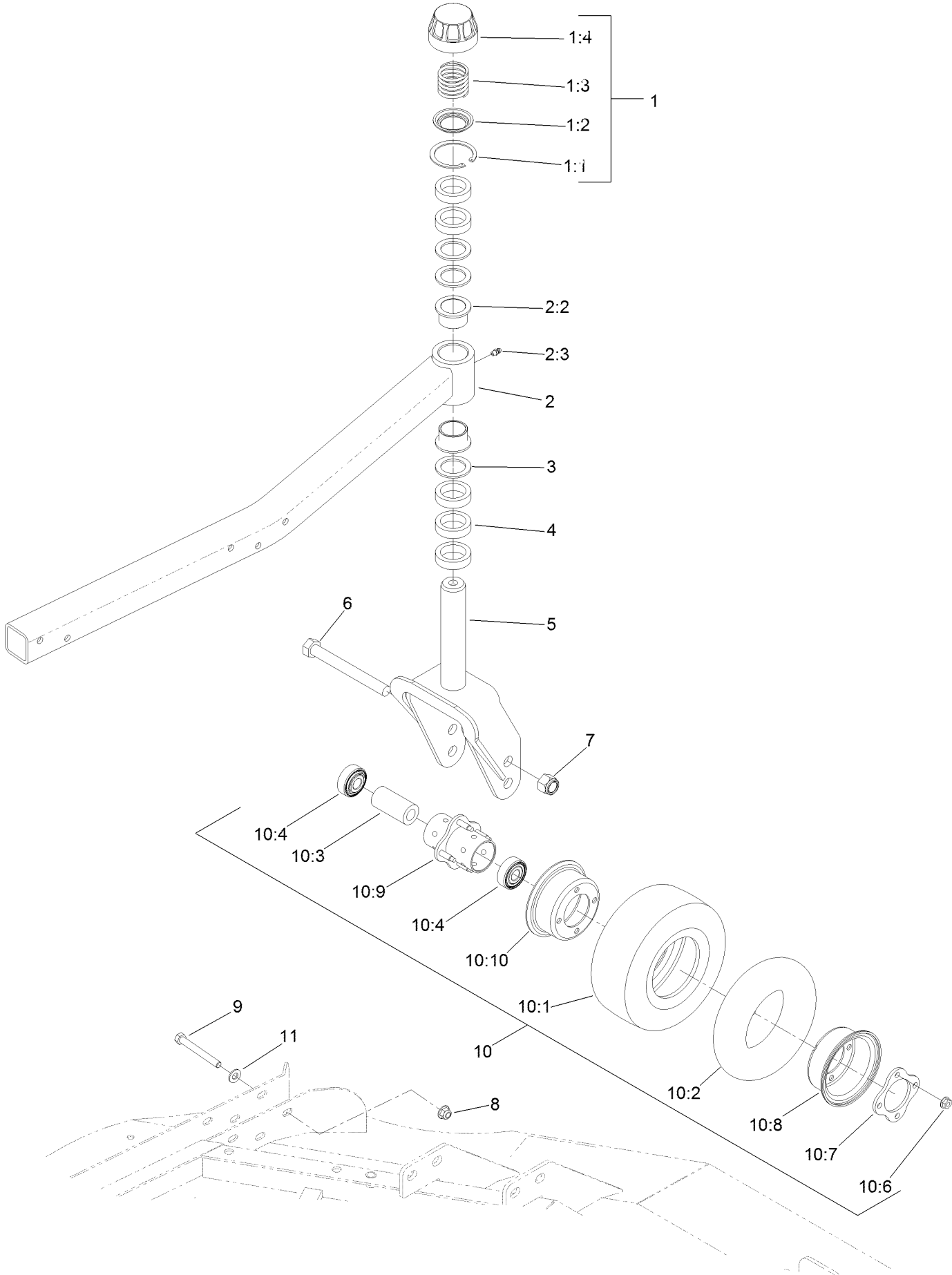


# Low Driven Spindle Assembly No. 119-4776 (continued)

| <i>Ref.</i> | <i>Part Number</i> | <i>Qty.</i> | <i>Description</i>  | <i>Ref.</i> | <i>Part Number</i> | <i>Qty.</i> | <i>Description</i>    |
|-------------|--------------------|-------------|---------------------|-------------|--------------------|-------------|-----------------------|
| 1           | 3296-60            | 1           | Nut-Lock, NI        | 4:4         | 253-154            | 2           | Seal-Oil              |
| 2           | 104-3546           | 1           | Pulley-Driven, Low  | 4:5         | 302-60             | 1           | Fitting-Grease        |
| 4           | 119-4775           | 1           | Spindle Housing ASM | 5           | 69-6950            | 1           | Spacer-Shaft, Spindle |
| 4:1         |                    | 1           | Spindle ASM ●       | 6           | 104-3554           | 1           | Shaft-Spindle         |
| 4:1:2       | 114-8195           | 8           | Bolt-Neck, Ribbed   | 7           | 120-5576           | 1           | Washer-Hardened       |
| 4:2         | 120-5577           | 1           | Bearing Spacer Set  | 8           | 106-7159           | 1           | O-Ring                |
| 4:3         | 110-8297           | 1           | Bearing ASM         |             |                    |             |                       |

● Not serviced separately

# Right Hand and Left Hand Castor Arm and Wheel Assembly

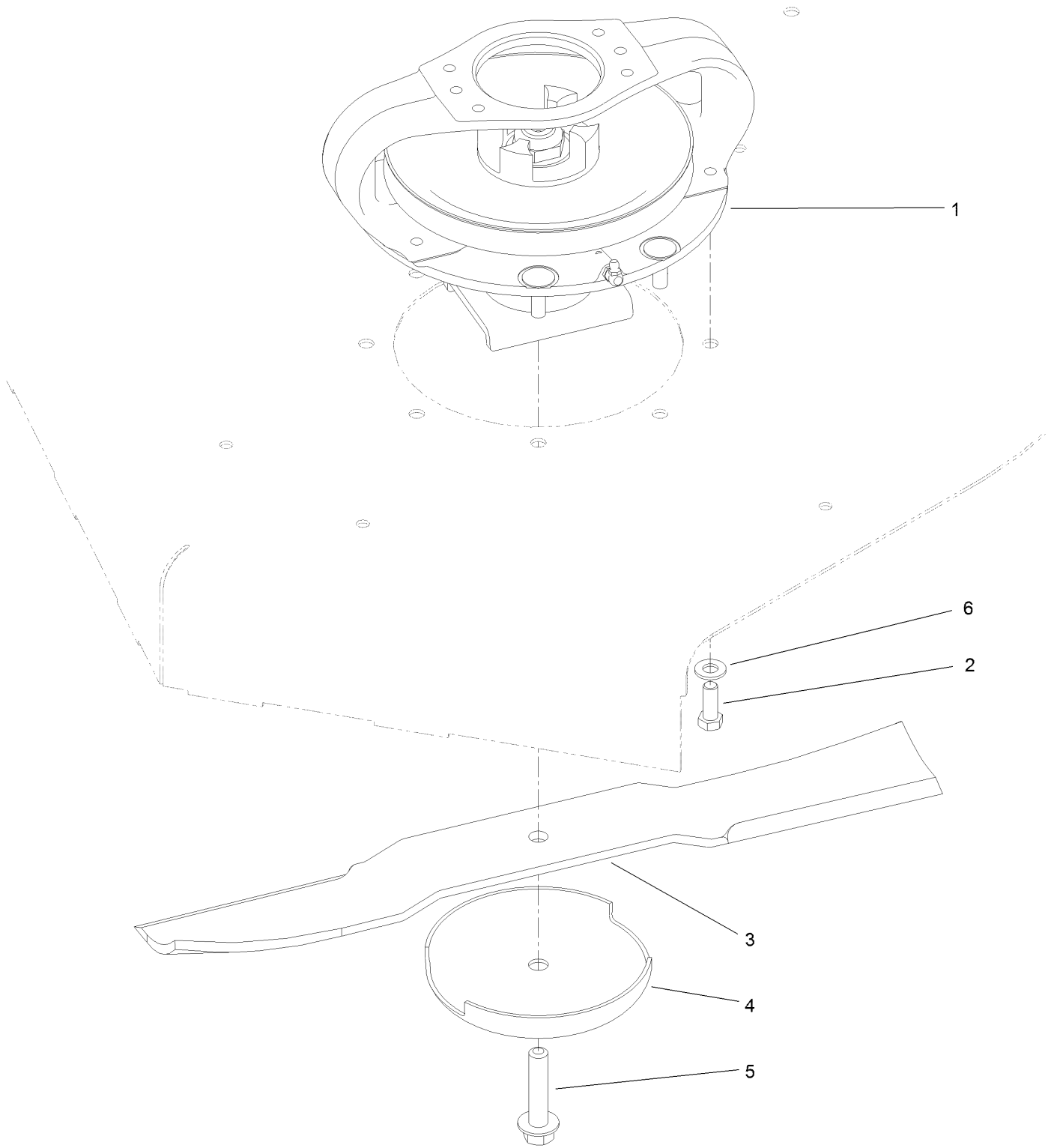


## Right Hand and Left Hand Castor Arm and Wheel Assembly (continued)

| <i>Ref.</i> | <i>Part Number</i> | <i>Qty.</i> | <i>Description</i> | <i>Ref.</i> | <i>Part Number</i> | <i>Qty.</i> | <i>Description</i>                |
|-------------|--------------------|-------------|--------------------|-------------|--------------------|-------------|-----------------------------------|
| 1           | 92-9727            | 1           | HOC Cap ASM        | 9           | 323-20             | 5           | Screw-HH                          |
| 1:1         | 92-5581            | 1           | Ring-Retaining     | 10          | 93-5974            | 3           | 8 Inch Foam Filled Wheel<br>ASM ● |
| 1:2         | 92-5583            | 1           | Washer-Cap         |             |                    |             |                                   |
| 1:3         | 92-9726            | 1           | Spring-Compression | 10          | 93-9938            | 3           | Wheel ASM                         |
| 1:4         | 92-8861            | 1           | Cap-HOC            | 10:1        | 93-9939            | 1           | Tire                              |
| 2           | 132-6167           | 1           | Caster Arm ASM     | 10:2        | 68-8950            | 1           | Tube-Inner (W/Valve)              |
| 2:2         | 69-6470            | 2           | Bushing-Caster     | 10:3        | 93-4241            | 1           | Spacer-Bearing, Inner             |
| 2:3         | 302-5              | 1           | Fitting-Grease     | 10:4        | 120-3366           | 2           | Bearing                           |
| 3           | 69-6860            | 3           | Washer-Thrust      | 10:6        | 32128-16           | 4           | Nut-HHF                           |
| 4           | 69-1510            | 5           | Spacer             | 10:7        | 93-4242            | 1           | Plate                             |
| 5           | 130-2736-01        | 1           | Fork-Caster        | 10:8        | 93-4239            | 1           | Rim-Wheel, Half                   |
| 6           | 327-24             | 3           | Screw-HH           | 10:9        | 93-5980            | 1           | Hub                               |
| 7           | 3296-53            | 3           | Nut-Lock, NI       | 10:10       | 95-2741            | 1           | Rim-Wheel, Half                   |
| 8           | 104-8301           | 5           | Nut-HF, NI         | 11          | 3256-24            | 5           | Washer-Flat                       |

● Optional Equipment

# LH and RH Deck Driving Spindle Assembly

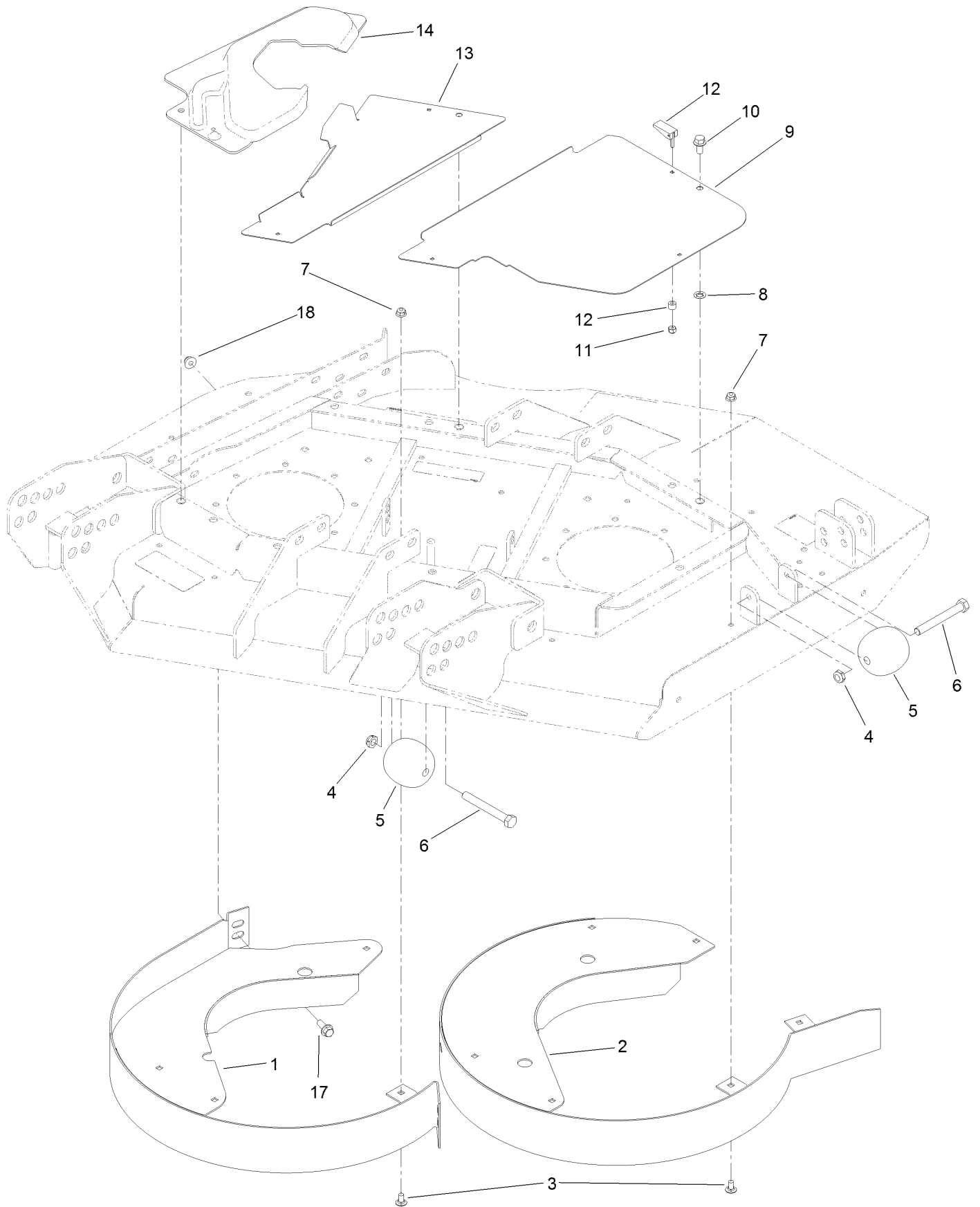


# LH and RH Deck Driving Spindle Assembly (continued)

| <i>Ref.</i> | <i>Part Number</i> | <i>Qty.</i> | <i>Description</i>  |
|-------------|--------------------|-------------|---------------------|
| 1           | 119-4547           | 1           | Driving Spindle ASM |
| 2           | 323-6              | 4           | Screw-HH            |
| 3           | 92-5608-03         | 2           | Blade               |

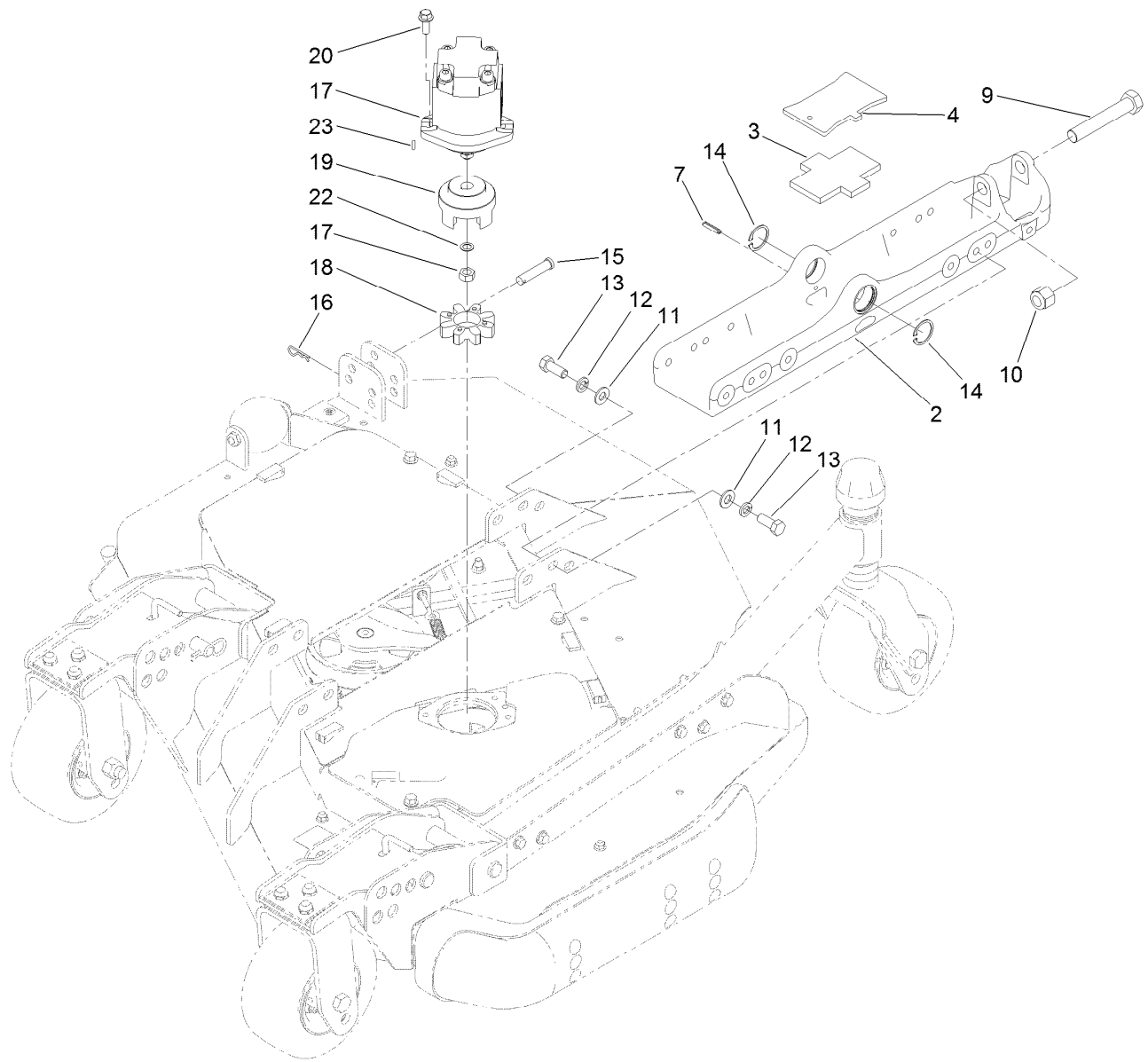
| <i>Ref.</i> | <i>Part Number</i> | <i>Qty.</i> | <i>Description</i> |
|-------------|--------------------|-------------|--------------------|
| 4           | 72-9361            | 2           | Cup-Scalp, Anti    |
| 5           | 92-5816            | 2           | Bolt-Blade         |
| 6           | 3256-24            | 4           | Washer-Flat        |

# Right Deck Discharge Chamber and Cover Assembly



# Right Deck Discharge Chamber and Cover Assembly (continued)

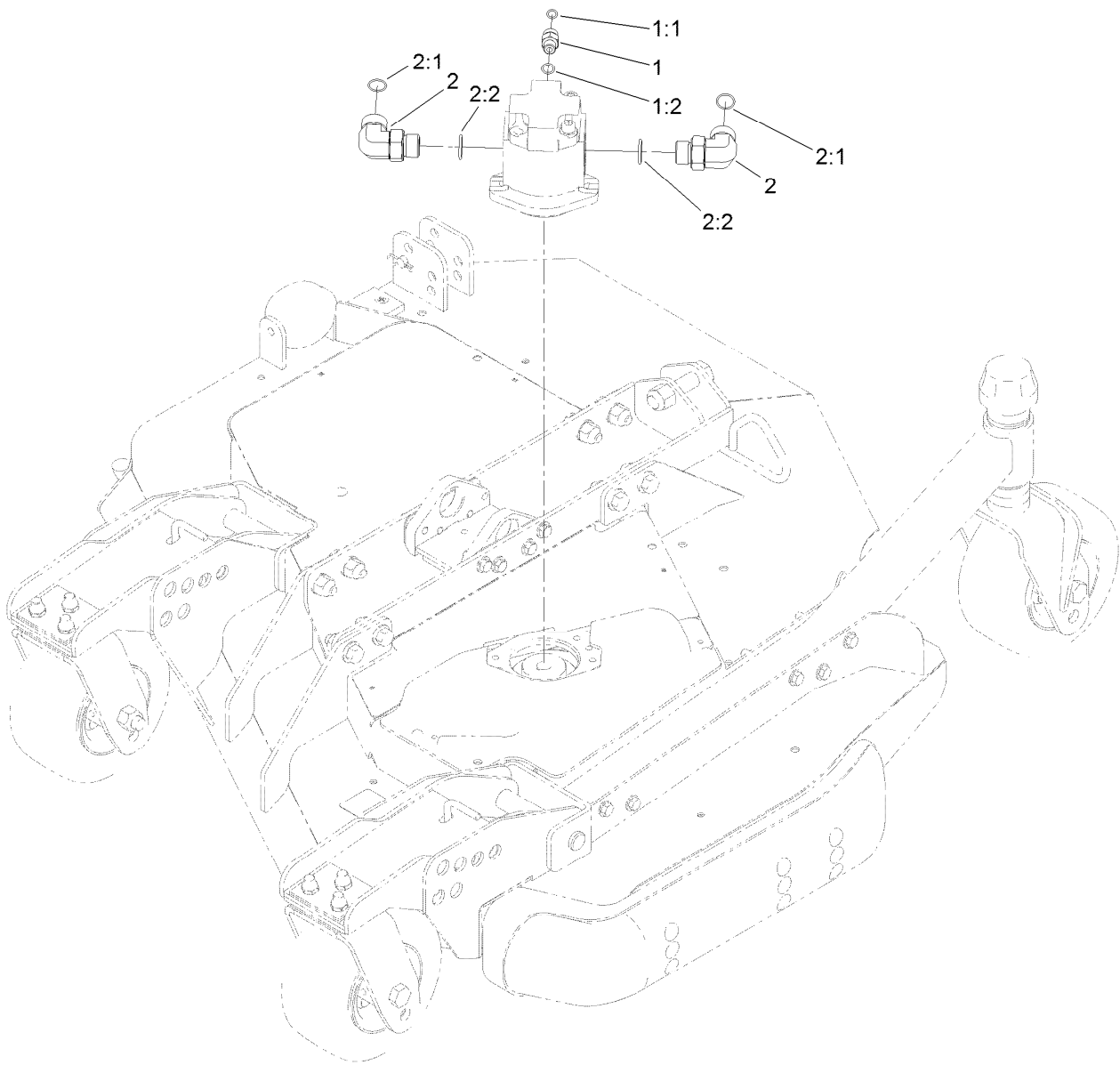
| <i>Ref.</i> | <i>Part Number</i> | <i>Qty.</i> | <i>Description</i> | <i>Ref.</i> | <i>Part Number</i> | <i>Qty.</i> | <i>Description</i>   |
|-------------|--------------------|-------------|--------------------|-------------|--------------------|-------------|----------------------|
| 1           | 130-2680-01        | 1           | Chamber-Outer      | 9           | 100-5668-03        | 1           | Plate-Cover, RH Side |
| 2           | 130-2681-01        | 1           | Chamber-Inner      | 10          | 3234-1             | 3           | Screw-HHF            |
| 3           | 3230-18            | 11          | Screw-CARR         | 11          | 1-804254           | 7           | Nut-Lock, HH         |
| 4           | 3296-45            | 2           | Nut-Hex            | 12          | 74-5950            | 7           | Latch-Swell          |
| 5           | 29-4820            | 2           | Roller             | 13          | 100-5665-03        | 1           | Plate-Cover, RH      |
| 6           | 325-17             | 2           | Screw-HH           | 14          | 100-5666           | 1           | Cover-Motor, RH Deck |
| 7           | 104-8300           | 11          | Nut-HF, NI         | 17          | 3234-42            | 1           | Screw-HHF            |
| 8           | 107-3154           | 3           | Nut-Push           | 18          | 104-8301           | 1           | Nut-HF, NI           |



## Left Deck Mount Assembly

| <i>Ref.</i> | <i>Part Number</i> | <i>Qty.</i> | <i>Description</i> | <i>Ref.</i> | <i>Part Number</i> | <i>Qty.</i> | <i>Description</i> |
|-------------|--------------------|-------------|--------------------|-------------|--------------------|-------------|--------------------|
| 2           | 136-0033-03        | 1           | Mount-Deck         | 14          | 32120-42           | 2           | Ring-Retaining     |
| 3           | 104-8348           | 1           | Plate-Rubber       | 15          | 92-2739            | 1           | Pin-Clevis         |
| 4           | 136-0041-03        | 1           | Plate              | 16          | 3290-467           | 1           | Pin-Hair           |
| 7           | 32121-69           | 1           | Pin-Spring         | 17          | 127-3694           | 1           | HYD Motor ASM      |
| 9           | 328-8              | 1           | Screw-HH           | 18          | 104-3542           | 1           | Spider             |
| 10          | 3296-51            | 1           | Nut-Lock, NI       | 19          | 104-3541           | 1           | Hub-Spider         |
| 11          | 3256-26            | 8           | Washer-Flat        | 20          | 3234-42            | 2           | Screw-HHF          |
| 12          | 3253-7             | 8           | Washer-Lock        | 22          | 112-6957           | 1           | Washer-Hardened    |
| 13          | 325-5              | 8           | Screw-HH           | 23          | 3257-3             | 1           | Key-Woodruff       |

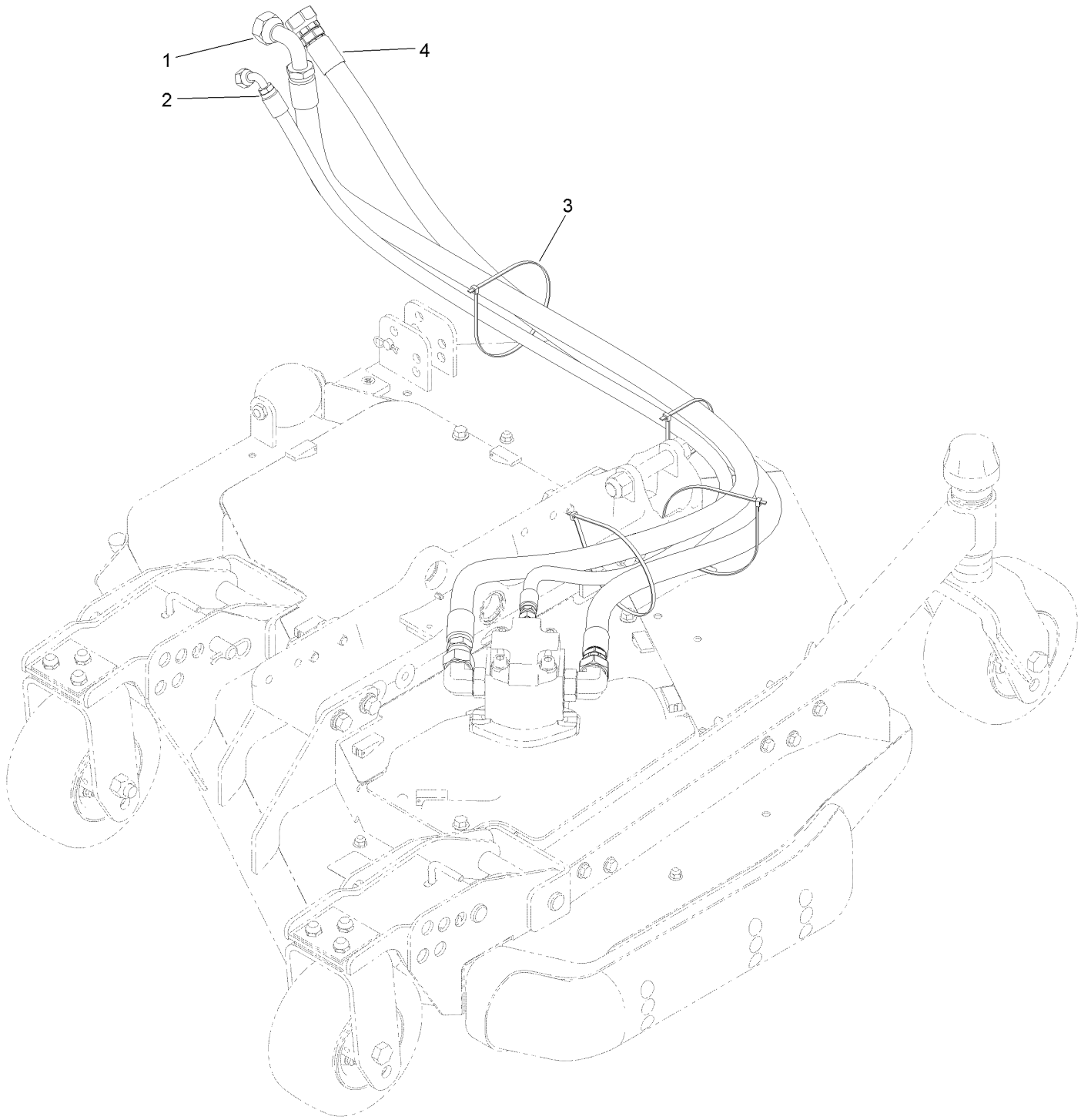




## Left Deck Hydraulic Fitting Assembly

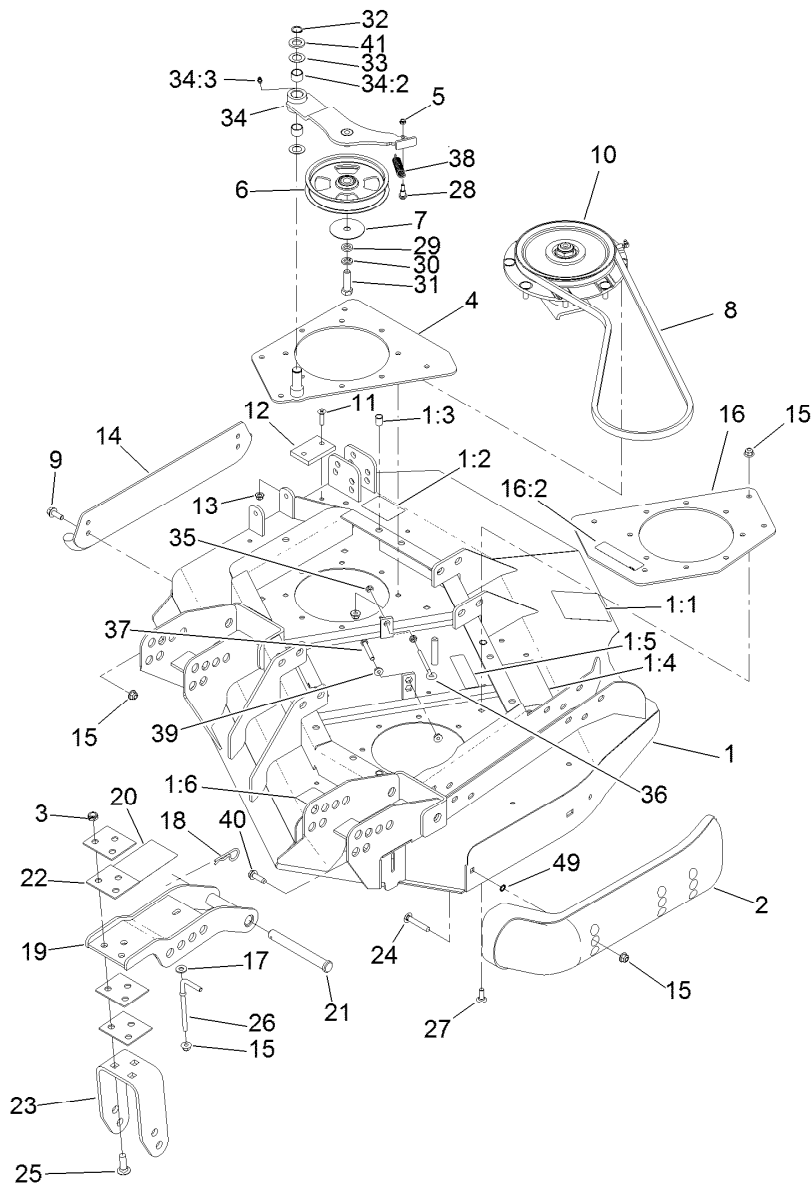
| <i>Ref.</i> | <i>Part Number</i> | <i>Qty.</i> | <i>Description</i>    |
|-------------|--------------------|-------------|-----------------------|
| 1           | 340-2              | 1           | Fitting-Straight      |
| 1:1         | 237-22             | 1           | O-Ring                |
| 1:2         | 237-42             | 1           | O-Ring                |
| 2           | 340-142            | 2           | Fitting-Elbow, 90 DEG |
| 2:1         | 237-58             | 1           | O-Ring                |
| 2:2         | 237-81             | 1           | O-Ring                |

# Left Deck Hose Assembly



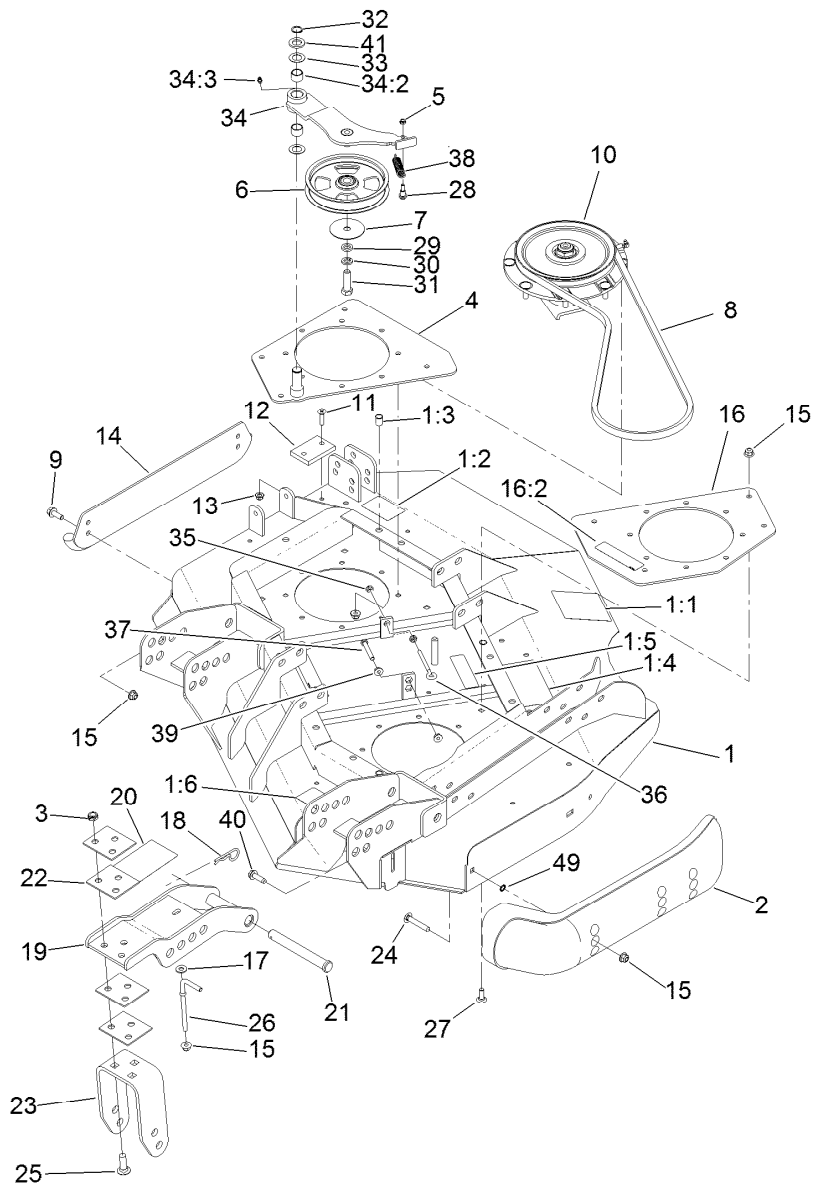
## Left Deck Hose Assembly (continued)

| <i>Ref.</i> | <i>Part Number</i> | <i>Qty.</i> | <i>Description</i> | <i>Ref.</i> | <i>Part Number</i> | <i>Qty.</i> | <i>Description</i> |
|-------------|--------------------|-------------|--------------------|-------------|--------------------|-------------|--------------------|
| 1           | 120-8959           | 1           | Hose-HYD           | 3           | 3290-379           | 4           | Tie-Cable          |
| 2           | 104-2265           | 1           | Hose-HYD           | 4           | 132-6116           | 1           | Hose-HYD           |



## Left Deck, Idler and Skid Assembly

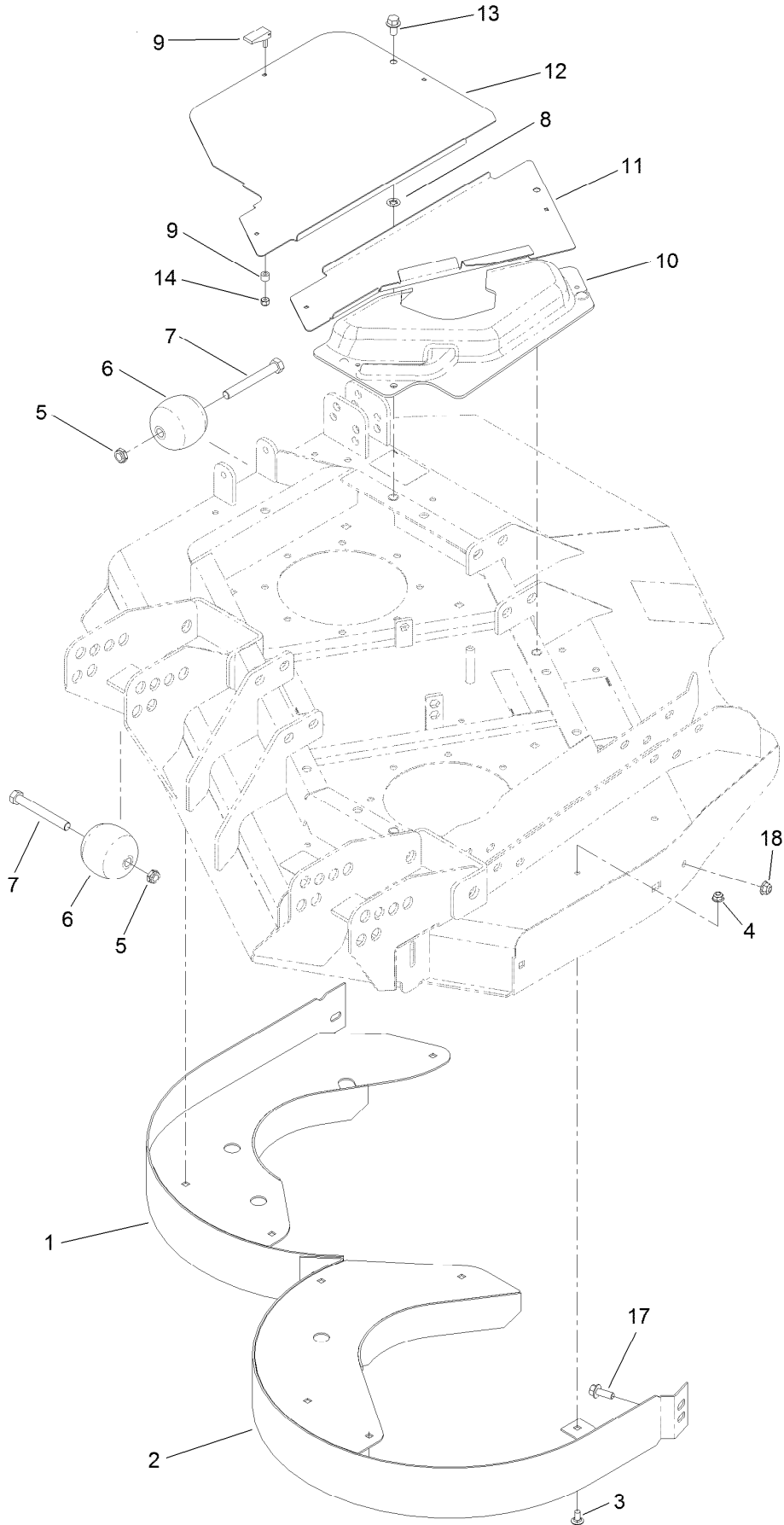
| Ref. | Part Number | Qty. | Description              | Ref. | Part Number | Qty. | Description    |
|------|-------------|------|--------------------------|------|-------------|------|----------------|
| 1    | 131-1236    | 1    | Left Deck ASM            | 16   | 131-1244    | 1    | Plate-Spindle  |
| 1:1  | 120-6604    | 1    | Decal-Danger             | 16:2 | 100-6578    | 1    | Decal-Danger   |
| 1:2  | 100-5693    | 1    | Decal-Rear HOC, LH       | 17   | 3256-3      | 2    | Washer-Flat    |
| 1:3  | 32148-9     | 3    | Nut-Clinch               | 18   | 3290-343    | 4    | Pin-Hair       |
| 1:4  | 100-5622    | 1    | Decal-HOC                | 19   | 132-6150-01 | 2    | Bracket-Caster |
| 1:5  | 100-6578    | 2    | Decal-Danger             | 20   | 104-3579    | 1    | Decal-HOC      |
| 1:6  | 93-7818     | 1    | Decal-Torque, Blade Bolt | 21   | 120-5587    | 4    | Pin-Clevis     |
| 2    | 112-1479    | 1    | Skid-Bumper, Deck        | 22   | 104-7524    | 8    | Shim           |
| 3    | 3296-45     | 6    | Nut-Hex                  | 23   | 132-6157-01 | 2    | Bracket-Fork   |
| 4    | 131-1233-01 | 1    | Plate-Stiffener          | 24   | 3231-33     | 2    | Screw-CARR     |
| 5    | 3296-56     | 1    | Nut-Lock, NI             | 25   | 3233-2      | 6    | Screw-CARR     |
| 6    | 132-9421    | 1    | Pulley-Idler, Flat       | 26   | 106-2047    | 2    | Rod-Tension    |
| 7    | 100-3102    | 1    | Washer-Flat              | 27   | 3231-22     | 8    | Screw-CARR     |
| 8    | 108-8076    | 1    | V-Belt, Deck             | 28   | 104-0858    | 1    | Bolt-Shoulder  |
| 9    | 3234-42     | 2    | Screw-HHF                | 29   | 9202424     | 1    | Spacer         |
| 10   | 119-4776    | 1    | Low-Driven Spindle ASM   | 30   | 3253-7      | 1    | Washer-Lock    |
| 11   | 32108-103   | 2    | Screw-FH                 | 31   | 325-7       | 1    | Screw-HH       |
| 12   | 69-9290     | 1    | Pad-Bumper               | 32   | 32120-72    | 1    | Ring-Snap      |
| 13   | 104-8300    | 2    | Nut-HF, NI               | 33   | 3-6498      | 2    | Washer-Thrust  |
| 14   | 104-2250-01 | 1    | Skid-Side                | 34   | 110-6128    | 1    | Idler Arm ASM  |
| 15   | 104-8301    | 26   | Nut-HF, NI               | 34:2 | 256-76      | 2    | Bushing        |



## Left Deck, Idler and Skid Assembly (continued)

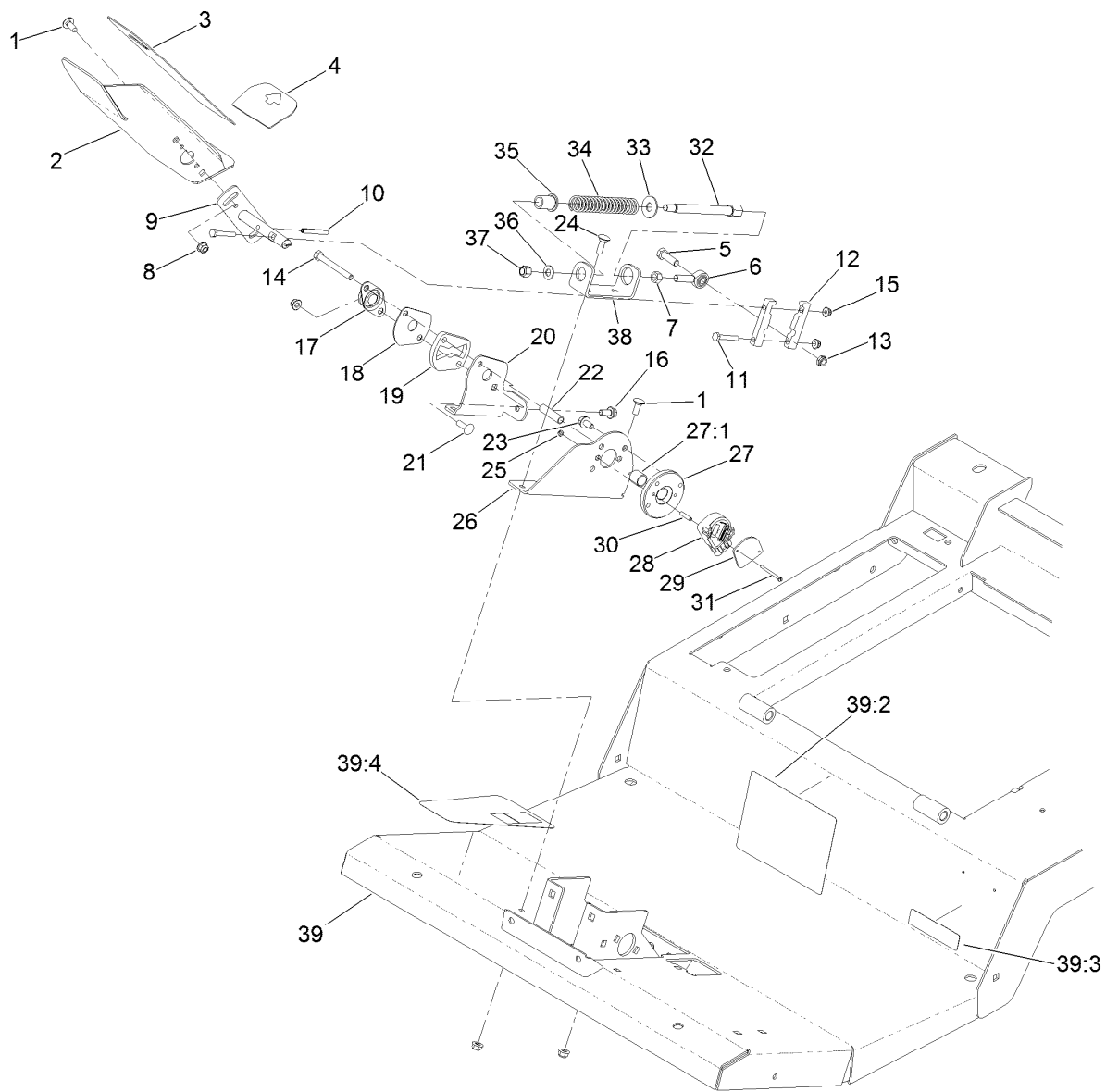
| <i>Ref.</i> | <i>Part Number</i> | <i>Qty.</i> | <i>Description</i> | <i>Ref.</i> | <i>Part Number</i> | <i>Qty.</i> | <i>Description</i> |
|-------------|--------------------|-------------|--------------------|-------------|--------------------|-------------|--------------------|
| 34:3        | 302-5              | 1           | Fitting-Grease     | 39          | 32128-26           | 2           | Nut-Flange         |
| 35          | 32128-14           | 2           | Nut-HF             | 40          | 9136144            | 1           | Screw-HWHTF        |
| 36          | 68-0090            | 1           | Screw-Adjusting    | 41          | 70-1160            | 1           | Washer             |
| 37          | 9114524            | 1           | Bolt-TAP, HH       | 49          | 32151-72           | 2           | Ring-Retaining     |
| 38          | 107938             | 1           | Spring-Extension   |             |                    |             |                    |

# Left Deck Discharge Chamber and Cover Assembly



# Left Deck Discharge Chamber and Cover Assembly (continued)

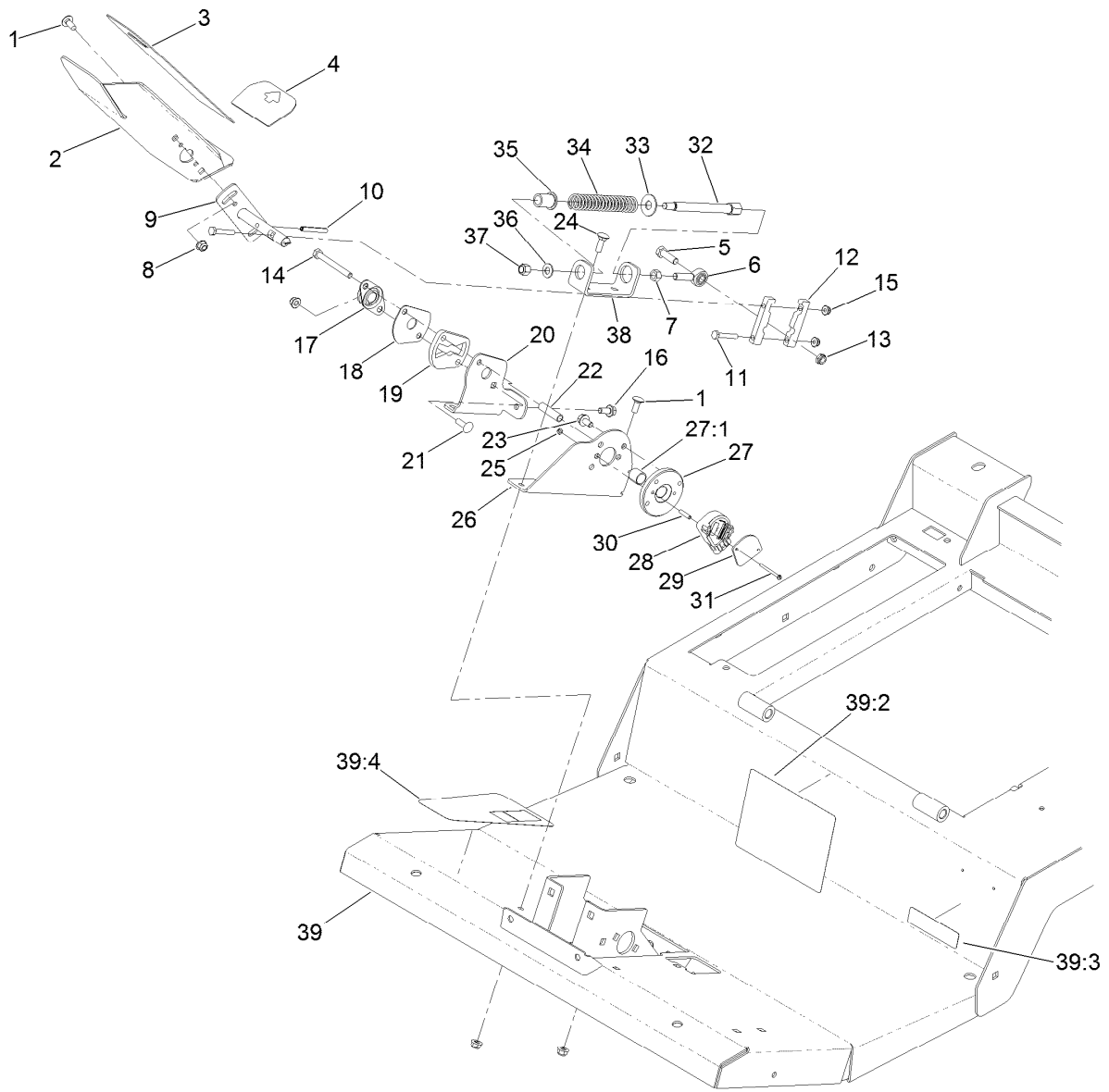
| <i>Ref.</i> | <i>Part Number</i> | <i>Qty.</i> | <i>Description</i> | <i>Ref.</i> | <i>Part Number</i> | <i>Qty.</i> | <i>Description</i>   |
|-------------|--------------------|-------------|--------------------|-------------|--------------------|-------------|----------------------|
| 1           | 130-2682-01        | 1           | Chamber-Outer      | 9           | 74-5950            | 7           | Latch-Swell          |
| 2           | 130-2683-01        | 1           | Chamber-Inner      | 10          | 100-5669           | 1           | Cover-Motor, LH Deck |
| 3           | 3230-18            | 9           | Screw-CARR         | 11          | 100-5664-03        | 1           | Plate-Cover, LH      |
| 4           | 104-8300           | 9           | Nut-HF, NI         | 12          | 100-5667-03        | 1           | Plate-Cover, LH Side |
| 5           | 3296-45            | 2           | Nut-Hex            | 13          | 3234-1             | 3           | Screw-HHF            |
| 6           | 29-4820            | 2           | Roller             | 14          | 1-804254           | 7           | Nut-Lock, HH         |
| 7           | 325-17             | 2           | Screw-HH           | 17          | 3234-42            | 1           | Screw-HHF            |
| 8           | 107-3154           | 3           | Nut-Push           | 18          | 104-8301           | 1           | Nut-HF, NI           |



## Traction Pedal and Platform Assembly

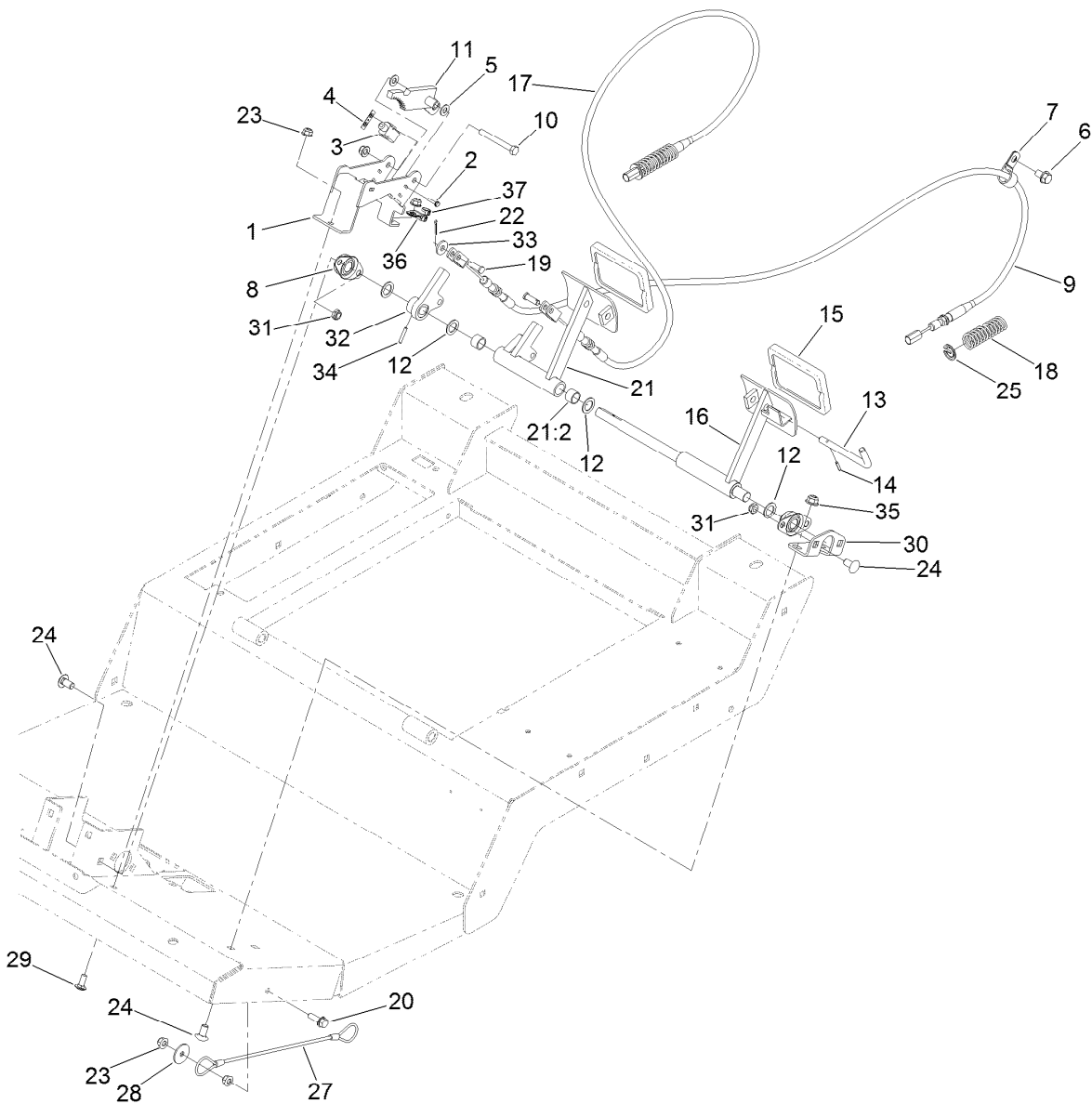
| Ref. | Part Number | Qty. | Description           | Ref. | Part Number | Qty. | Description                   |
|------|-------------|------|-----------------------|------|-------------|------|-------------------------------|
| 1    | 3230-23     | 5    | Screw-CARR            | 22   | 93-7960     | 1    | Spacer                        |
| 2    | 136-4368-01 | 1    | Pedal-Traction        | 23   | 114-7728    | 2    | Screw-HF                      |
| 3    | 93-5347     | 1    | Abrasive-Pedal        | 24   | 3230-2      | 2    | Bolt-CARR                     |
| 4    | 93-5368     | 1    | Abrasive-Pedal        | 25   | 3296-9      | 2    | Nut-Hex                       |
| 5    | 323-7       | 1    | Screw-HH              | 26   | 136-4384-01 | 1    | Bracket-Sender                |
| 6    | 2411-36     | 1    | Bearing-End, Rod      | 27   | 117-5445    | 1    | Bushing Hub ASM               |
| 7    | 3219-3      | 1    | Nut-Hex               | 27:1 | 95-7497     | 1    | Bushing-Wheel                 |
| 8    | 104-8300    | 9    | Nut-HF, NI            | 28   | 114-5609    | 1    | Sensor-Position               |
| 9    | 131-2245    | 1    | Shaft-Pedal, Traction | 29   | 114-5595    | 1    | Plate-Capture                 |
| 10   | 32121-78    | 1    | Pin-Roll              | 30   | 114-5608    | 2    | Spacer-Standoff               |
| 11   | 321-37      | 2    | Screw-HH              | 31   | 32105-25    | 2    | Screw-SHH                     |
| 12   | 117-5459    | 2    | Block-Clamp           | 32   | 117-5446    | 1    | Shaft-Spring                  |
| 13   | 3296-59     | 1    | Nut-Lock, NI          | 33   | 3256-5      | 1    | Washer-Flat                   |
| 14   | 322-14      | 1    | Screw-HH              | 34   | 84-9100     | 1    | Spring                        |
| 15   | 104-7201    | 2    | Nut-HF                | 35   | 92-7610     | 1    | Retainer-Spring               |
| 16   | 3234-47     | 1    | Screw-HHF             | 36   | 3256-24     | 1    | Washer-Flat                   |
| 17   | 256-236     | 1    | Bearing-Mount, Flange | 37   | 3296-6      | 1    | Nut-Lock                      |
| 18   | 117-5455    | 1    | Plate-Cover           | 38   | 131-2252-01 | 1    | Bracket-Spring                |
| 19   | 117-5454    | 1    | Plate-Butterfly       | 39   | 132-6251    | 1    | Platform ASM                  |
| 20   | 131-2250-01 | 1    | Bracket-Butterfly     | 39:2 | 114-0846    | 1    | Decal-Instructions, Operating |
| 21   | 3230-22     | 1    | Screw-CARR            |      |             |      |                               |





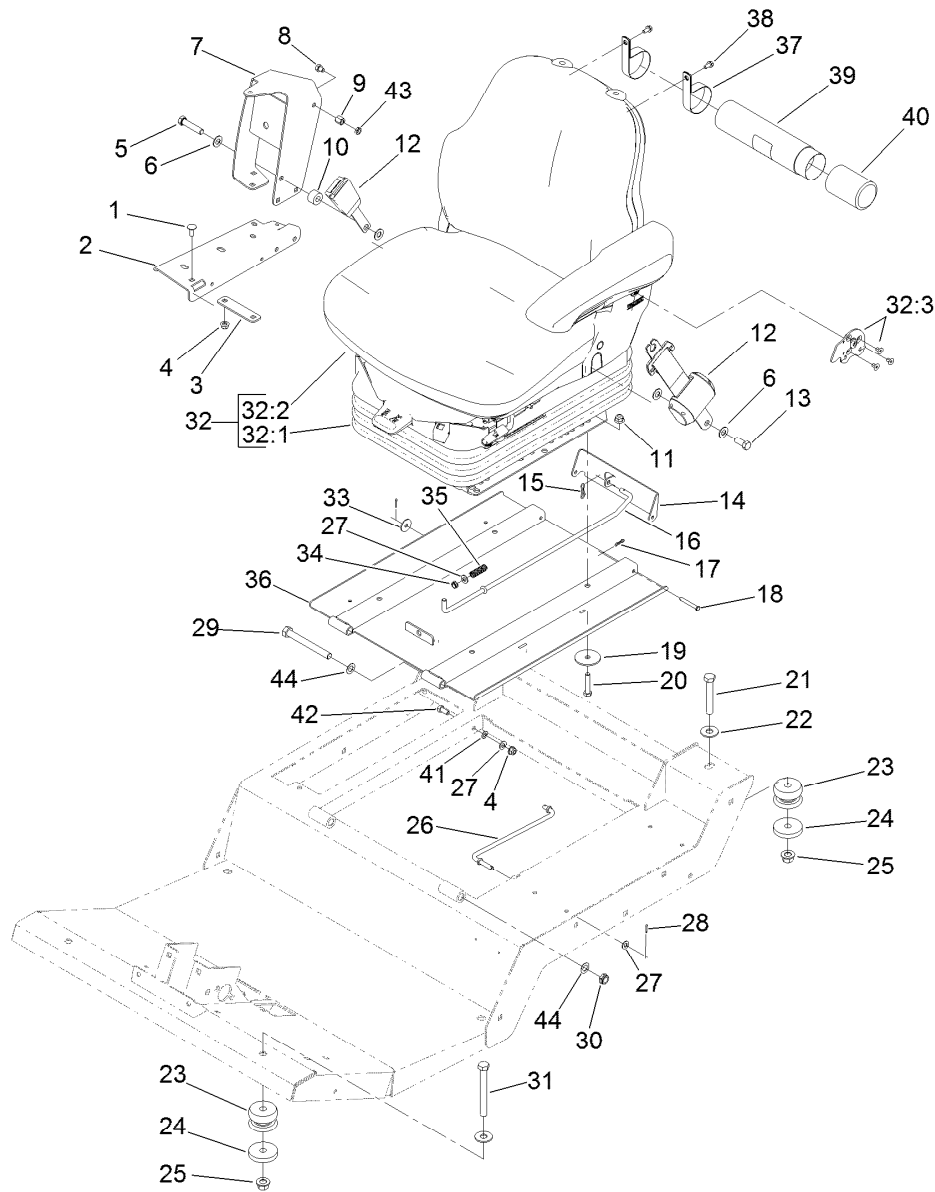
## Traction Pedal and Platform Assembly (continued)

| <i>Ref.</i> | <i>Part Number</i> | <i>Qty.</i> | <i>Description</i>    |
|-------------|--------------------|-------------|-----------------------|
| 39:3        | 133-8062           | 1           | Decal-Arrestor, Spark |
| 39:4        | 114-0849           | 1           | Decal-Pedal, Traction |



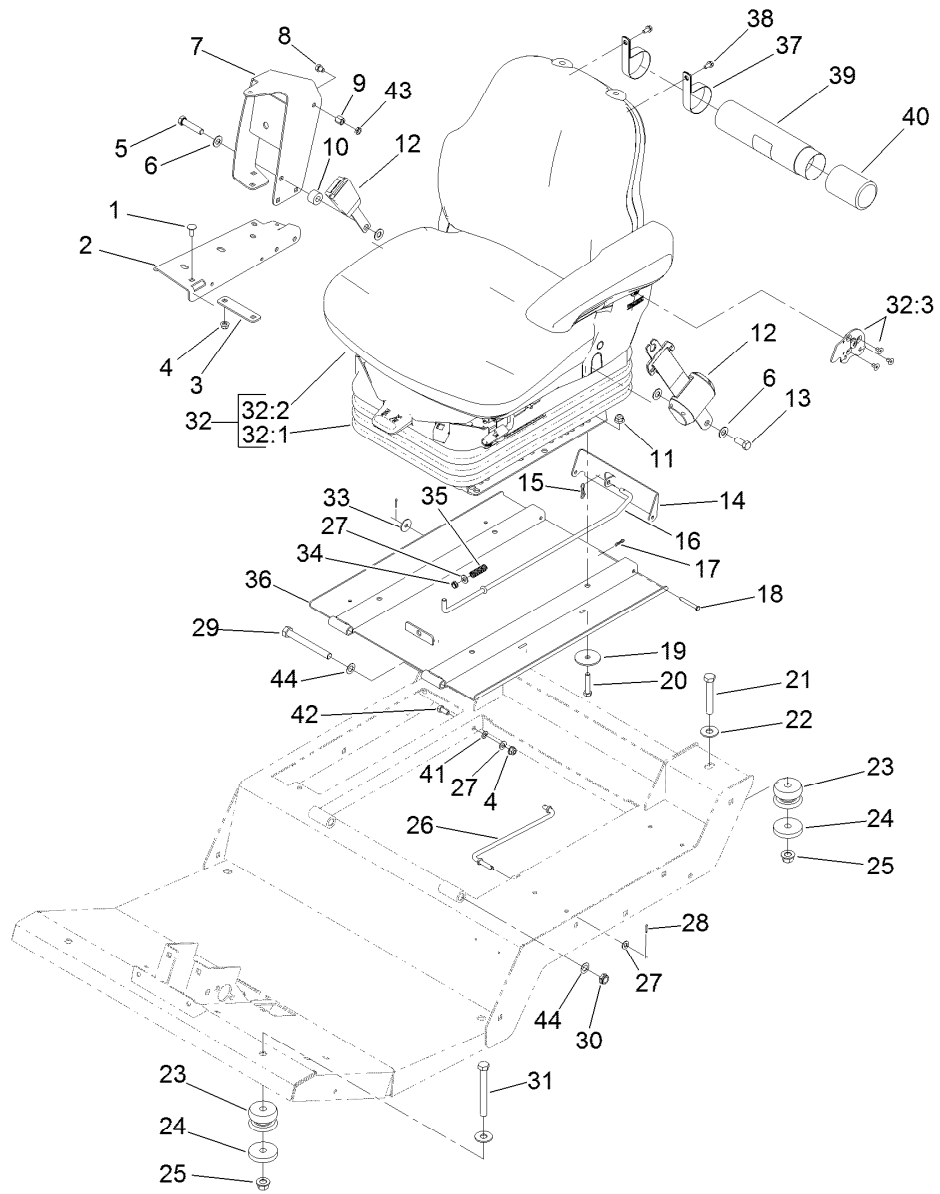
## Brake Pedal Assembly

| Ref. | Part Number | Qty. | Description           | Ref. | Part Number | Qty. | Description      |
|------|-------------|------|-----------------------|------|-------------|------|------------------|
| 1    | 132-6259-03 | 1    | Mount-Switch          | 20   | 3234-29     | 1    | Screw-HHF        |
| 2    | 117-5458    | 4    | Screw-HHF             | 21   | 132-6252    | 1    | Pedal-Brake, RH  |
| 3    | 99-3410     | 2    | Switch                | 21:2 | 256-42      | 2    | Bushing          |
| 4    | 108-9824    | 2    | Nut-Switch            | 22   | 3272-6      | 2    | Pin-Cotter       |
| 5    | 3256-23     | 2    | Washer-Plain          | 23   | 104-8300    | 5    | Nut-HF, NI       |
| 6    | 32144-69    | 2    | Screw-HWHTF           | 24   | 3231-21     | 6    | Screw-CARR       |
| 7    | 2412-4      | 2    | Clamp-R               | 25   | 94-3050     | 2    | Plate-Spring     |
| 8    | 256-236     | 2    | Bearing-Mount, Flange | 27   | 110-4896    | 1    | Lanyard          |
| 9    | 120-8899    | 1    | Cable-Brake, LH       | 28   | 3256-57     | 1    | Washer-Flat      |
| 10   | 322-13      | 1    | Screw-HH              | 29   | 3230-23     | 2    | Screw-CARR       |
| 11   | 132-6290-03 | 1    | Rack                  | 30   | 132-6247-01 | 1    | Mount-Bearing    |
| 12   | 3256-69     | 4    | Washer-Flat           | 31   | 3296-59     | 4    | Nut-Lock, NI     |
| 13   | 63-7880     | 1    | Pin-Latch, Brake      | 32   | 132-6229    | 1    | Arm-Cable, Brake |
| 14   | 32121-50    | 1    | Pin-Spring            | 33   | 4-2390      | 2    | Washer-Flat      |
| 15   | 93-8742     | 2    | Footpad-Brake         | 34   | 32121-125   | 1    | Pin-Spring       |
| 16   | 132-6288-01 | 1    | Pedal-Brake, LH       | 35   | 104-8301    | 2    | Nut-HF, NI       |
| 17   | 120-8898    | 1    | Cable-Brake, RH       | 36   | 88-7970     | 1    | Clip             |
| 18   | 94-3088     | 2    | Spring-Compression    | 37   | 1-303287    | 2    | Tie-Cable        |
| 19   | 120-9694    | 2    | Pin-Clevis            |      |             |      |                  |



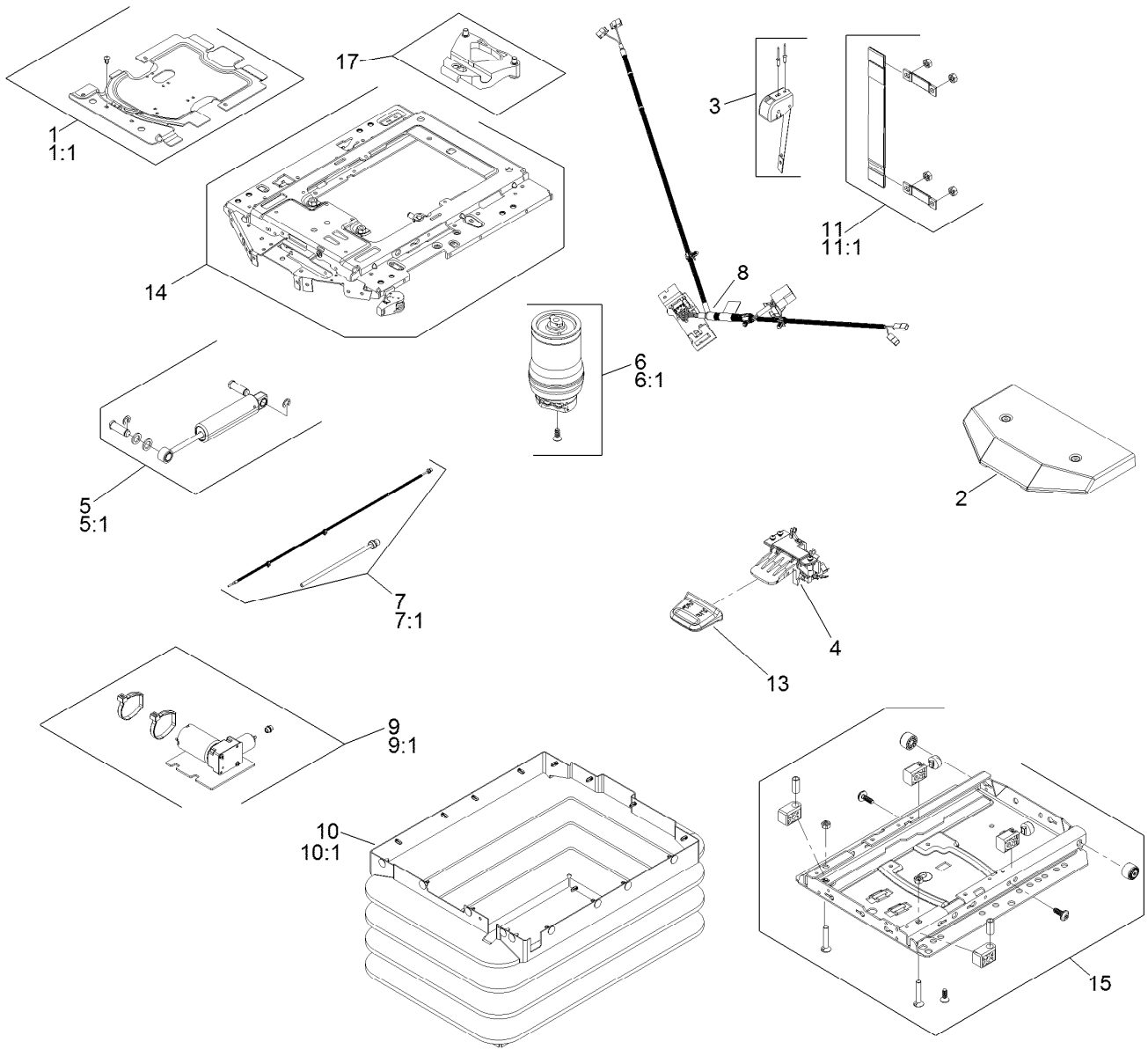
## Seat Base and Seat Assembly

| Ref. | Part Number | Qty. | Description          | Ref. | Part Number | Qty. | Description              |
|------|-------------|------|----------------------|------|-------------|------|--------------------------|
| 1    | 3230-23     | 6    | Screw-CARR           | 22   | 3256-6      | 4    | Washer-Flat              |
| 2    | 119-0000-03 | 1    | Channel-Support      | 23   | 110-5954    | 4    | Mount-Center, Bonded     |
| 3    | 112-7449-03 | 1    | Bracket-Support      | 24   | 115-5519    | 4    | Washer-Plain             |
| 4    | 104-8300    | 7    | Nut-HF, NI           | 25   | 99-5107     | 4    | Nut-Lock                 |
| 5    | 3212-8      | 1    | Screw-HH             | 26   | 93-5338     | 1    | Rod-Prop                 |
| 6    | 3256-25     | 4    | Washer-Flat          | 27   | 3256-23     | 3    | Washer-Plain             |
| 7    | 117-4798-03 | 1    | Arm-Support          | 28   | 3272-5      | 2    | Pin-Cotter               |
| 8    | 108-8646    | 1    | Screw-HH, Lock       | 29   | 325-18      | 2    | Screw-HH                 |
| 9    | 112-7405    | 1    | Nut-Hex, Coupling    | 30   | 3296-45     | 2    | Nut-Hex                  |
| 10   | 17-7190     | 1    | Spacer-Finger        | 31   | 702093      | 2    | Screw-HH                 |
| 11   | 104-8301    | 4    | Nut-HF, NI           | 32   | 130-2701    | 1    | Seat And Suspension ASM  |
| 12   | 110-0413    | 1    | Seatbelt-Retractable | 32:1 | 130-2702    | 1    | Air Ride Seat Suspension |
| 13   | 3212-4      | 1    | Screw-HH             | 32:2 | 117-5676    | 1    | Premium Seat ASM         |
| 14   | 120-9017-03 | 1    | Latch-Seat           | 32:3 | 132-1304    | 1    | Backrest Adjustment Kit  |
| 15   | 119-1415    | 1    | Pin-Cotter, Locking  | 33   | 3256-82     | 1    | Washer-Flat              |
| 16   | 120-9018    | 1    | Rod-Latch            | 34   | 5979        | 1    | Bushing-Nyliner          |
| 17   | 119-1414    | 2    | Pin-Cotter, Locking  | 35   | 95-1821-03  | 1    | Spring-Compression       |
| 18   | 283-57      | 2    | Pin-Clevis           | 36   | 137-5475-03 | 1    | Plate-Seat               |
| 19   | 83-1040     | 4    | Washer-Flat          | 37   | 2412-133    | 2    | Clamp-R                  |
| 20   | 323-9       | 4    | Screw-HH             | 38   | 32104-116   | 2    | Screw-HWHTF              |
| 21   | 112-7264    | 2    | Screw-HH             | 39   | 104-7050    | 1    | Tube-Manual              |



## Seat Base and Seat Assembly (continued)

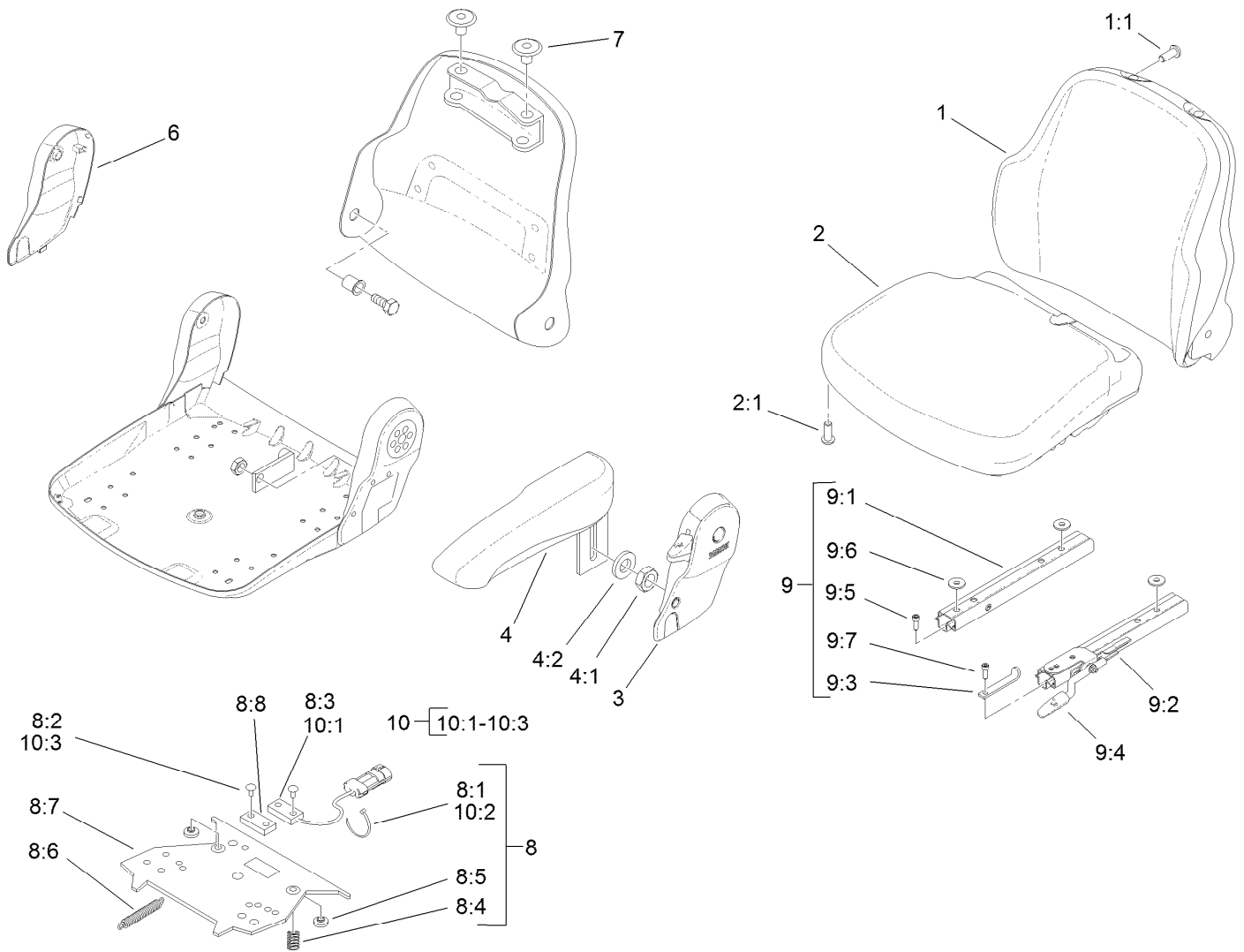
| <i>Ref.</i> | <i>Part Number</i> | <i>Qty.</i> | <i>Description</i> | <i>Ref.</i> | <i>Part Number</i> | <i>Qty.</i> | <i>Description</i> |
|-------------|--------------------|-------------|--------------------|-------------|--------------------|-------------|--------------------|
| 40          | 104-7048           | 1           | Cap-Housing        | 43          | 117-4059           | 1           | Nut-Hex            |
| 41          | 3255-8             | 1           | Washer-Lock        | 44          | 36-4780            | 4           | Washer-Plain       |
| 42          | 322-3              | 1           | Screw-HH           |             |                    |             |                    |



## Seat Suspension Assembly No. 130-2702

| Ref. | Part Number | Qty. | Description        | Ref. | Part Number | Qty. | Description             |
|------|-------------|------|--------------------|------|-------------|------|-------------------------|
| 1    | 130-2709    | 1    | Cover ASM          | 9    | 130-2719    | 1    | Compressor              |
| 1:1  | 130-2710    | 1    | Cover Kit          | 9:1  | 130-2720    | 1    | Compressor Kit          |
| 2    | 108-8027    | 1    | Cover              | 10   | 130-2721    | 1    | Bellows ASM             |
| 3    | 130-2711    | 1    | Control-Level      | 10:1 | 130-2722    | 1    | Bellows Kit             |
| 4    | 108-8029    | 1    | Valve-Control, Air | 11   | 130-2723    | 1    | Tether                  |
| 5    | 130-2712    | 1    | Shock Absorber ASM | 11:1 | 130-2724    | 1    | Tether Kit              |
| 5:1  | 130-2713    | 1    | Shock Absorber Kit | 12   | 130-2725    | 1    | Wear Parts Kit ●        |
| 6    | 130-2714    | 1    | Air Spring ASM     | 13   | 130-2726    | 1    | Handle                  |
| 6:1  | 130-2715    | 1    | Air Spring Kit     | 14   | 130-2727    | 1    | Upper Suspension Kit    |
| 7    | 130-2716    | 1    | Air Tube ASM       | 15   | 130-2728    | 1    | Lower Suspension Kit    |
| 7:1  | 130-2717    | 1    | Air Tube Kit       | 16   | 130-2729    | 1    | Adjuster Mounting Kit ● |
| 8    | 130-2718    | 1    | Harness-Wire       | 17   | 130-2730    | 1    | Limiters-Thrust         |

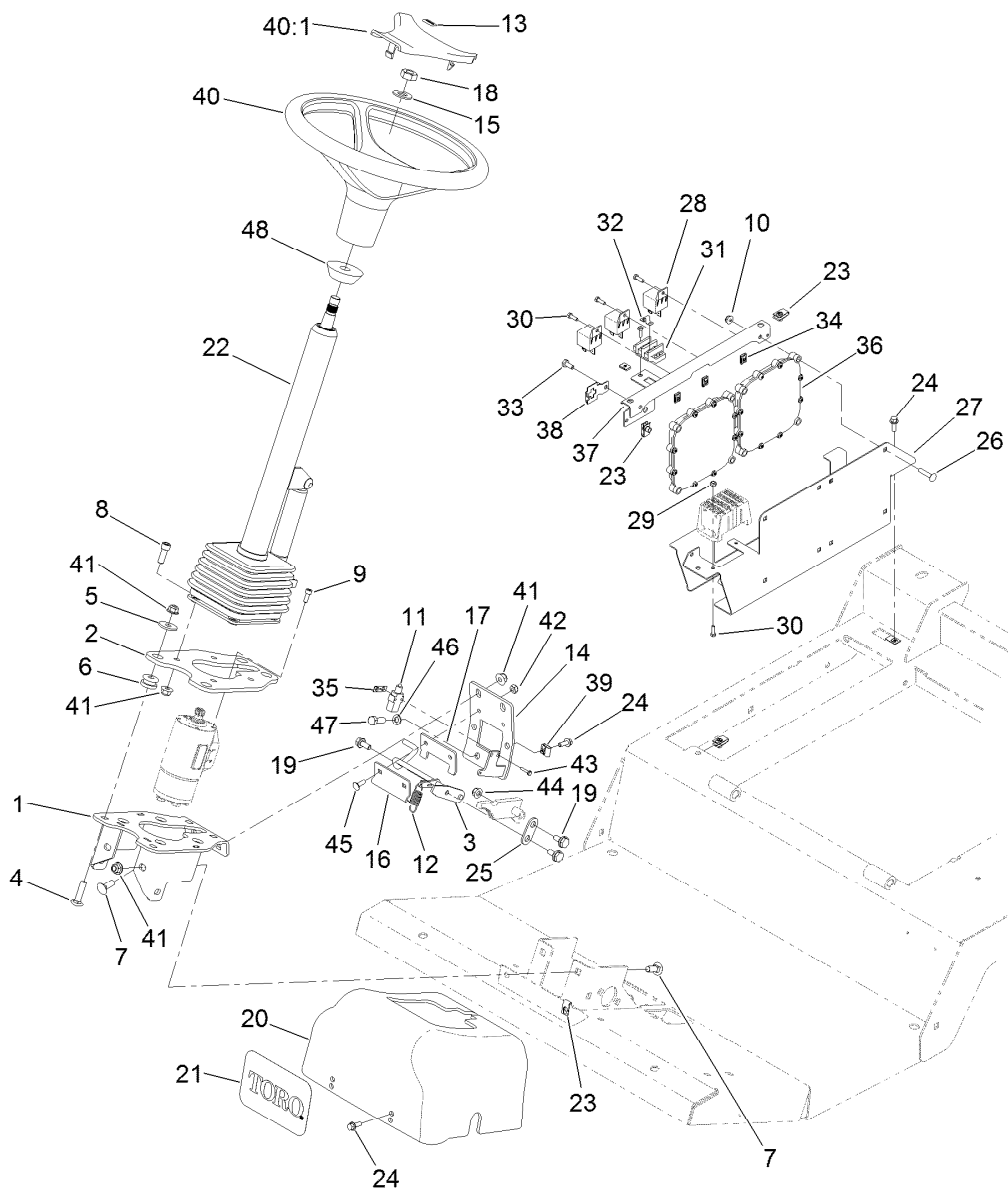
● Not illustrated



## Vinyl Premium Seat Assembly No. 117-5676

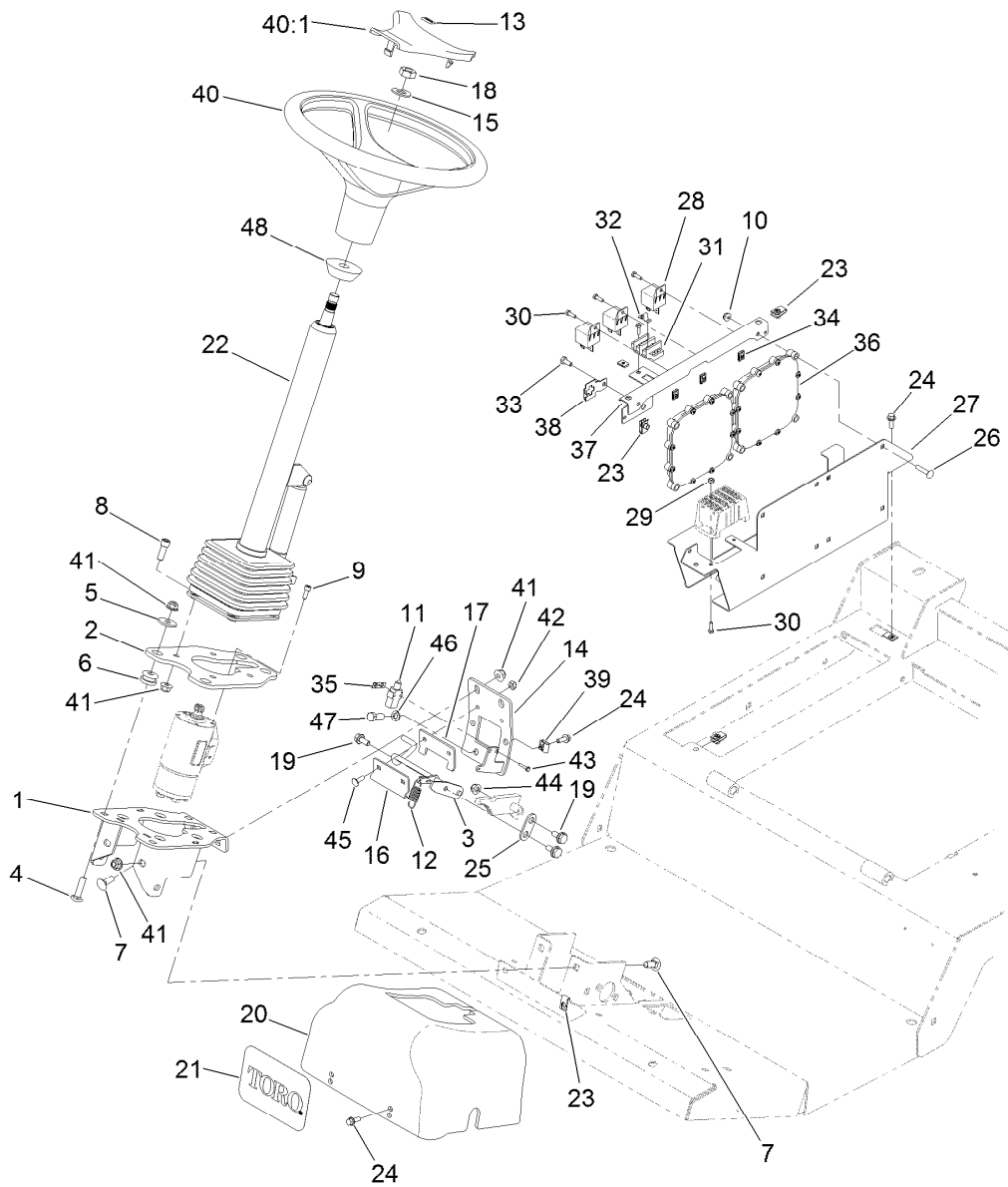
| Ref. | Part Number | Qty. | Description             | Ref. | Part Number | Qty. | Description           |
|------|-------------|------|-------------------------|------|-------------|------|-----------------------|
| 1    | 108-8016    | 1    | Backrest Cushion ASM    | 8:6  |             | 1    | Spring-Extension ●    |
| 1:1  | 119-7742    | 4    | Screw-Cushion           | 8:7  |             | 1    | Plate-Mounting ●      |
| 2    | 108-8017    | 1    | Seat Cushion ASM        | 8:8  |             | 1    | Magnet ●              |
| 2:1  | 119-7742    | 3    | Screw-Cushion           | 9    | 108-8025    | 1    | Adjustment Rail Set   |
| 3    | 108-8018    | 1    | Cover-Armrest           | 9:1  |             | 1    | Rail-Adjustment, RH ● |
| 4    | 108-8019    | 1    | LH Armrest ASM          | 9:2  |             | 1    | Rail-Adjustment, LH ● |
| 4:1  | 82-9650     | 1    | Nut                     | 9:3  |             | 1    | Stop-Rail ●           |
| 4:2  | 107-1198    | 1    | Washer                  | 9:4  |             | 1    | Handle ●              |
| 6    | 108-8021    | 1    | Cover-Armrest           | 9:5  |             | 3    | Screw ●               |
| 7    | 108-8022    | 2    | Cover-Black             | 9:6  |             | 3    | Washer ●              |
| 8    | 108-8024    | 1    | Switch Kit              | 9:7  |             | 1    | Screw ●               |
| 8:1  |             | 3    | Wire Tie ●              | 10   | 110-6189    | 1    | Switch Kit            |
| 8:2  |             | 4    | Rivet ●                 | 10:1 |             | 1    | Switch ●              |
| 8:3  |             | 1    | Sensor-Seat Switch ●    | 10:2 |             | 3    | Wire Tie ●            |
| 8:4  |             | 2    | Spring-Compression ●    | 10:3 |             | 2    | Rivet ●               |
| 8:5  |             | 2    | Bumper-Pressure Plate ● |      |             |      |                       |

● Not serviced separately



## Steering and Controller Assembly

| Ref. | Part Number | Qty. | Description         | Ref. | Part Number | Qty. | Description              |
|------|-------------|------|---------------------|------|-------------|------|--------------------------|
| 1    | 137-5590-03 | 1    | Mount               | 22   | 132-6230    | 1    | Steering Tilt Column ASM |
| 2    | 137-5588-03 | 1    | Plate-Mount, Column | 23   | 107069      | 7    | Clip                     |
| 3    | 132-6285    | 1    | Rod-Brake           | 24   | 3234-4      | 6    | Screw-HHF                |
| 4    | 3231-26     | 4    | Screw-CARR          | 25   | 137-5548    | 1    | Link-Brake               |
| 5    | 63-8410     | 4    | Washer              | 26   | 3229-3      | 8    | Screw-CARR               |
| 6    | 63-9750     | 4    | Mount               | 27   | 120-4093-03 | 1    | Mount-Power              |
| 7    | 3231-2      | 6    | Bolt-CARR           | 28   | 99-7435     | 3    | Relay                    |
| 8    | 3274-7      | 4    | Screw-HSH           | 29   | 3296-12     | 2    | Nut-Lock, NI             |
| 9    | 105-2409    | 4    | Screw-HSH           | 30   | 3290-134    | 7    | Screw                    |
| 10   | 104-7201    | 8    | Nut-HF              | 31   | 42862       | 1    | Block-Terminal, Ground   |
| 11   | 99-3410     | 1    | Switch              | 32   | 42863       | 1    | Strip-Jumper             |
| 12   | 136-7153    | 1    | Spring-Extension    | 33   | 321-3       | 1    | Screw-HH                 |
| 13   | 98-1459     | 1    | Decal               | 34   | 107-1013    | 5    | Nut-Speed                |
| 14   | 132-6225-03 | 1    | Support-Rear        | 35   | 108-9824    | 1    | Nut-Switch               |
| 15   | 3256-27     | 1    | Washer-Flat         | 36   | 114-3321    | 2    | Controller-Tec           |
| 16   | 132-6283    | 1    | Plate-Brake         | 37   | 120-4127-03 | 1    | Mount-Relay              |
| 17   | 132-6284    | 1    | Plate-Brake         | 38   | 114-5502    | 1    | Clip-Fuse                |
| 18   | 3296-33     | 1    | Nut-Lock, NI        | 39   | 609900      | 2    | Nut-Speed                |
| 19   | 37-8771     | 2    | Bolt-Shoulder, HF   | 40   | 98-1471     | 1    | Wheel-Steering           |
| 20   | 132-6244    | 1    | Cover-Steering      | 40:1 | 98-1468     | 1    | Cover-Wheel, Steering    |
| 21   | 105-1217    | 1    | Decal               | 41   | 104-8301    | 14   | Nut-HF, NI               |

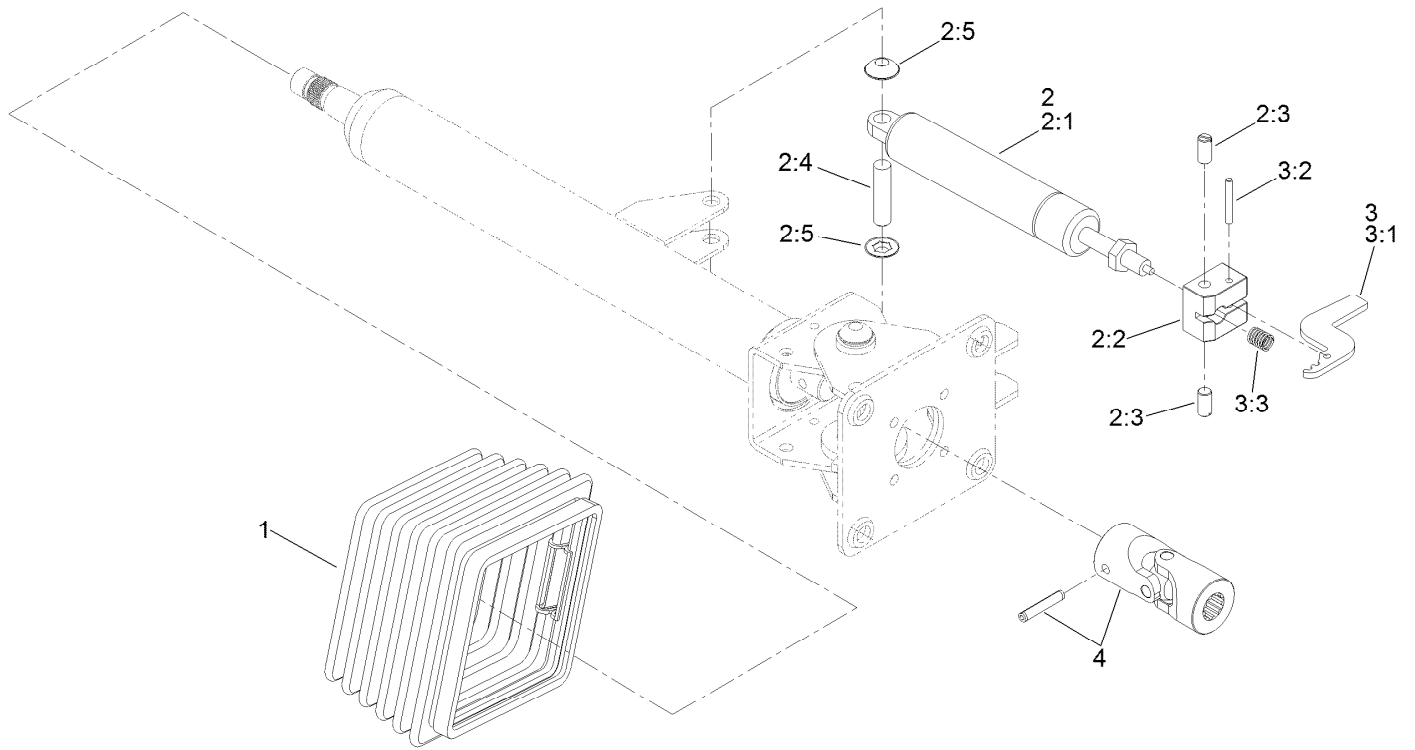


## Steering and Controller Assembly (continued)

| Ref. | Part Number | Qty. | Description  |
|------|-------------|------|--------------|
| 42   | 3296-16     | 2    | Nut-Lock, NI |
| 43   | 117-5458    | 2    | Screw-HHF    |
| 44   | 104-8300    | 2    | Nut-HF, NI   |
| 45   | 1-807512    | 2    | Bolt-CARR    |

| Ref. | Part Number | Qty. | Description |
|------|-------------|------|-------------|
| 46   | 3253-21     | 2    | Washer-Lock |
| 47   | 323-6       | 2    | Screw-HH    |
| 48   | 93-5429     | 1    | Collar-Foam |

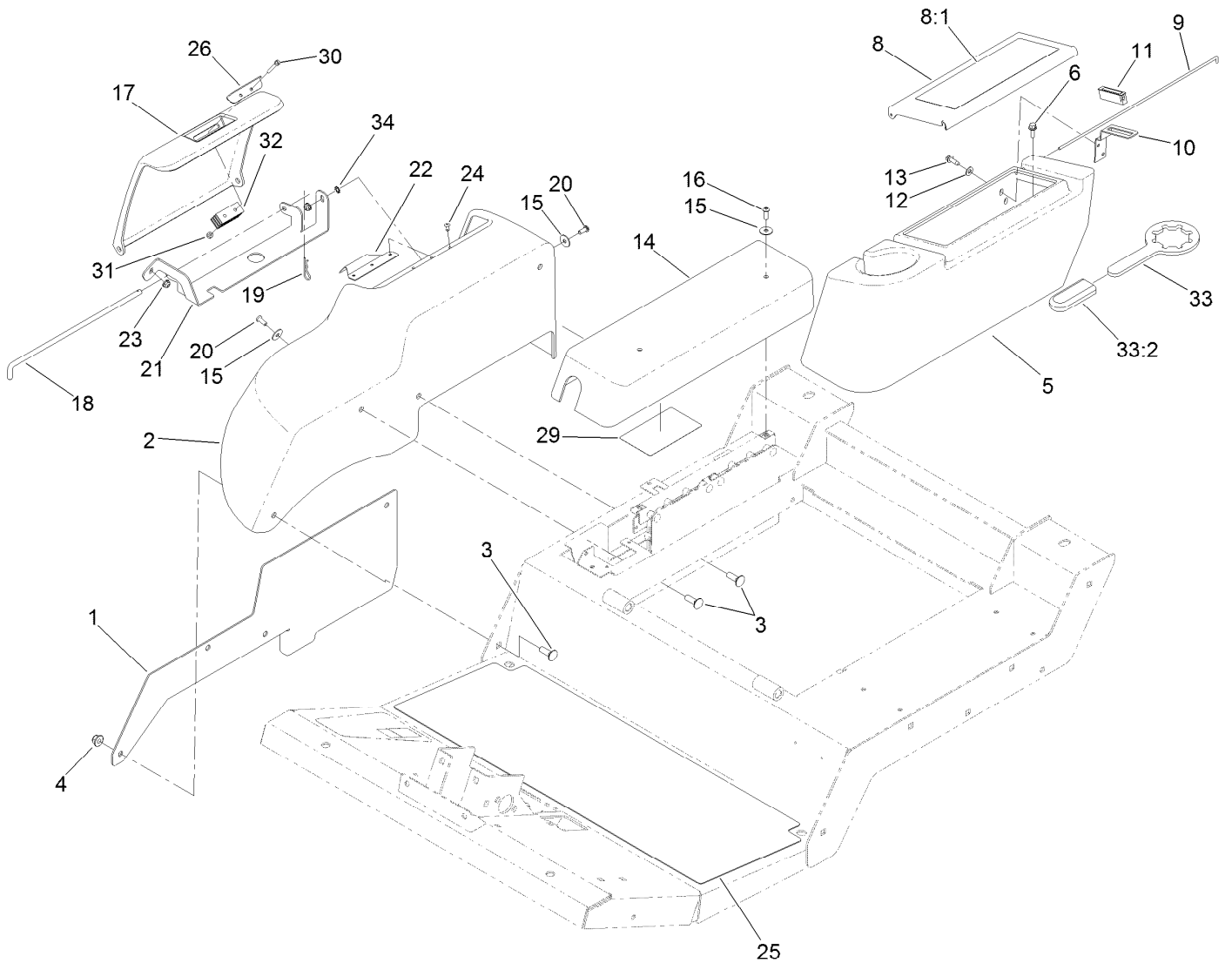




## Steering Column Assembly No. 132-6230

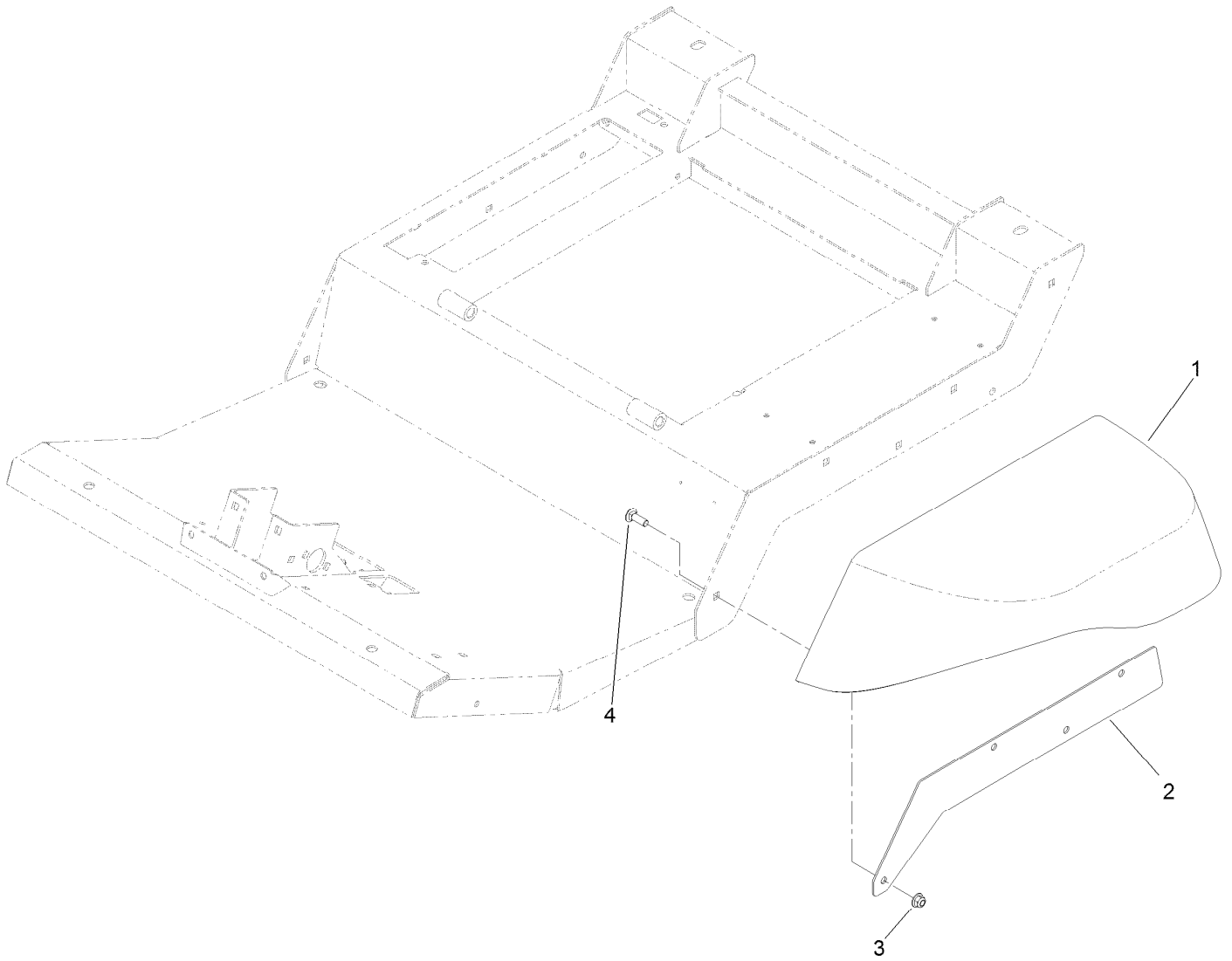
| Ref. | Part Number | Qty. | Description          |
|------|-------------|------|----------------------|
| 1    | 110-6462    | 1    | Bellows-Rubber       |
| 2    | 110-6463    | 1    | Cylinder Service Kit |
| 2:1  |             | 1    | Cylinder-Gas ●       |
| 2:2  |             | 1    | Block-Pedal ●        |
| 2:3  |             | 2    | Bolt ●               |
| 2:4  |             | 1    | Pin ●                |
| 2:5  |             | 2    | Washer-Lock ●        |
| 3    | 136-4385    | 1    | Pedal Service Kit    |
| 3:1  |             | 1    | Pedal ●              |
| 3:2  |             | 1    | Pin ●                |
| 3:3  |             | 1    | Spring ●             |
| 4    | 120-6256    | 1    | Universal Joint Kit  |

● Not serviced separately



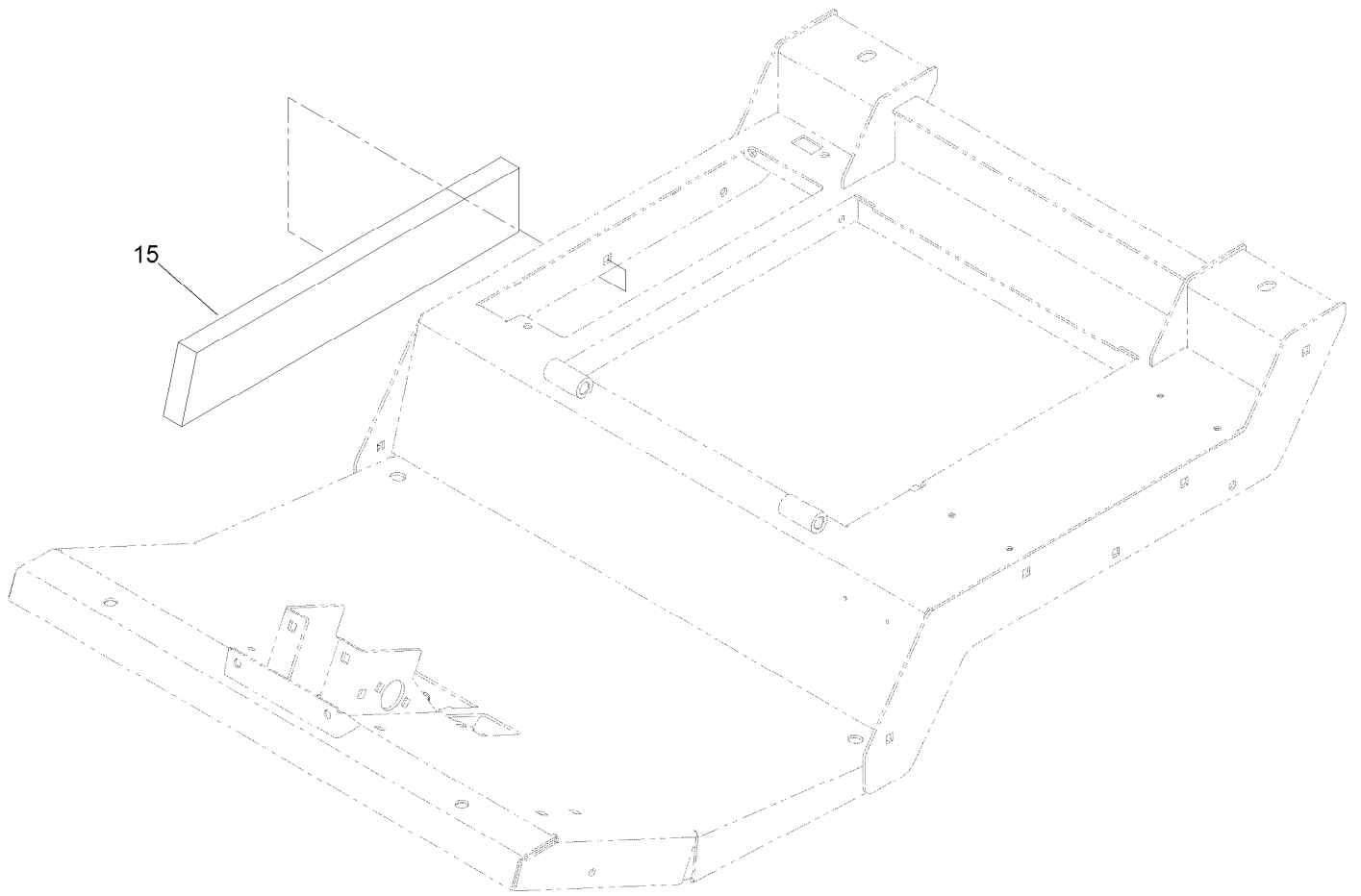
## Fender, Tool Box and Cover Assembly

| Ref. | Part Number | Qty. | Description        | Ref. | Part Number | Qty. | Description          |
|------|-------------|------|--------------------|------|-------------|------|----------------------|
| 1    | 121-1579-03 | 1    | Plate-Fender, RH   | 18   | 121-1588    | 1    | Rod-Hinge            |
| 2    | 120-4113    | 1    | Fender-RH          | 19   | 3290-467    | 1    | Pin-Hair             |
| 3    | 3231-25     | 4    | Bolt-CARR          | 20   | 3274-31     | 2    | Screw-HSBH           |
| 4    | 104-8301    | 4    | Nut-HF, NI         | 21   | 121-1586-03 | 1    | Mount-Cover          |
| 5    | 120-4125    | 1    | Housing-Tool Box   | 22   | 127-3706    | 1    | Plate-Cover          |
| 6    | 3234-4      | 4    | Screw-HHF          | 23   | 104-7201    | 2    | Nut-HF               |
| 8    | 120-4124    | 1    | Tool Box Cover ASM | 24   | 3269-23     | 3    | Rivet-Pop            |
| 8:1  | 117-2754    | 1    | Decal-Warning      | 25   | 132-6226    | 1    | Tread-Foot, Abrasive |
| 9    | 120-4122    | 1    | Rod-Hinge          | 26   | 127-3705    | 1    | Plate-Cover          |
| 10   | 104-7545    | 1    | Bracket-Latch      | 29   | 136-4436    | 1    | Decal-Fuses          |
| 11   | 58-4250     | 1    | Catch-Magnetic     | 30   | 32105-1     | 2    | Screw-SHH            |
| 12   | 3256-22     | 2    | Washer-Flat        | 31   | 3296-2      | 2    | Nut-Lock, NI         |
| 13   | 32104-95    | 2    | Screw-HWH          | 32   | 69-6260     | 1    | Magnet               |
| 14   | 120-4126    | 1    | Cover-Controllers  | 33   | 121-3874    | 1    | Wrench ASM           |
| 15   | 87-6630     | 4    | Washer-Plain       | 33:2 | 119-1846    | 1    | Grip                 |
| 16   | 3274-69     | 2    | Screw-HSBH         | 34   | 3255-7      | 1    | Washer-Lock/EXT      |
| 17   | 120-4115    | 1    | Cover-Battery      |      |             |      |                      |



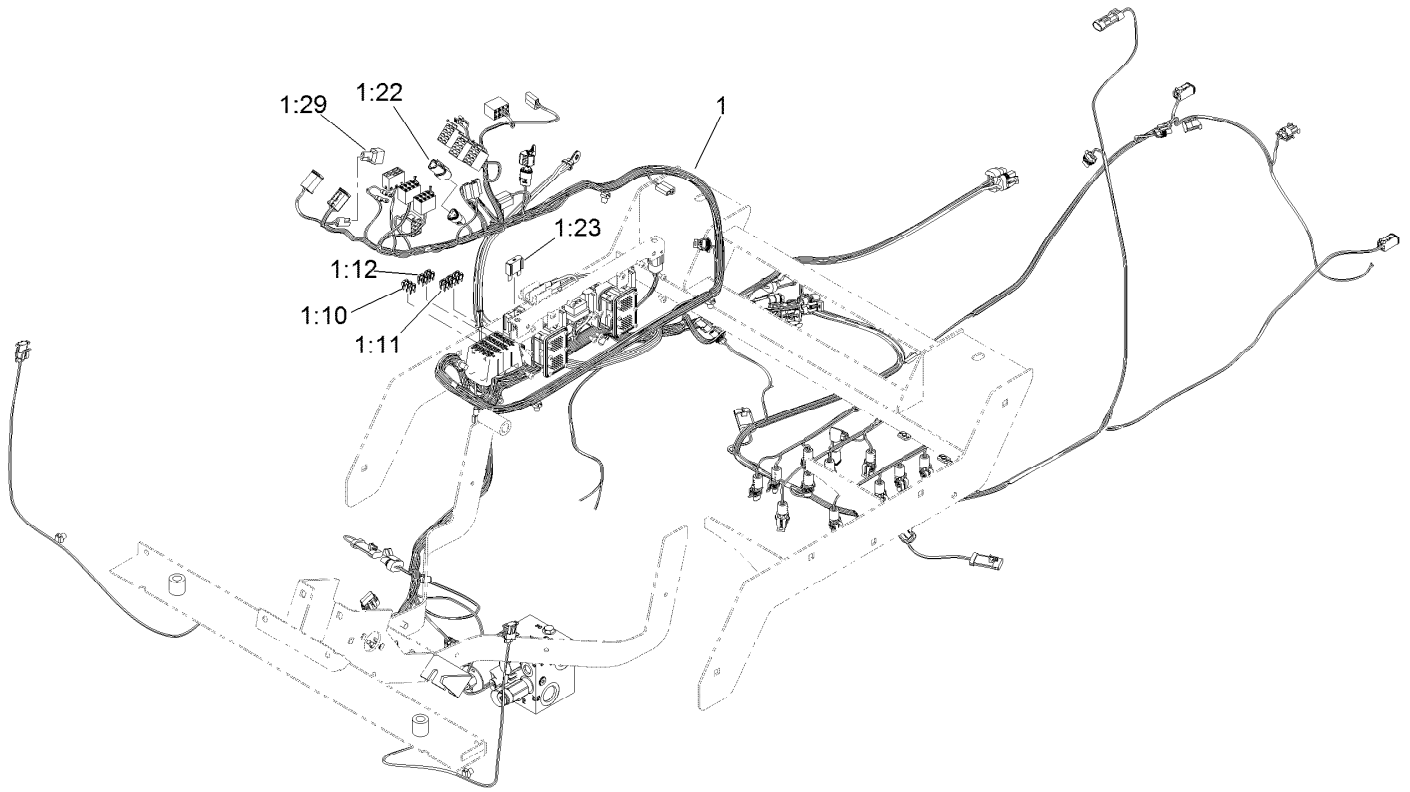
## Fender Assembly

| <i>Ref.</i> | <i>Part Number</i> | <i>Qty.</i> | <i>Description</i> |
|-------------|--------------------|-------------|--------------------|
| 1           | 120-4114           | 1           | Fender-LH          |
| 2           | 121-1580-03        | 1           | Plate-Fender, LH   |
| 3           | 104-8301           | 4           | Nut-HF, NI         |
| 4           | 3231-25            | 4           | Bolt-CARR          |



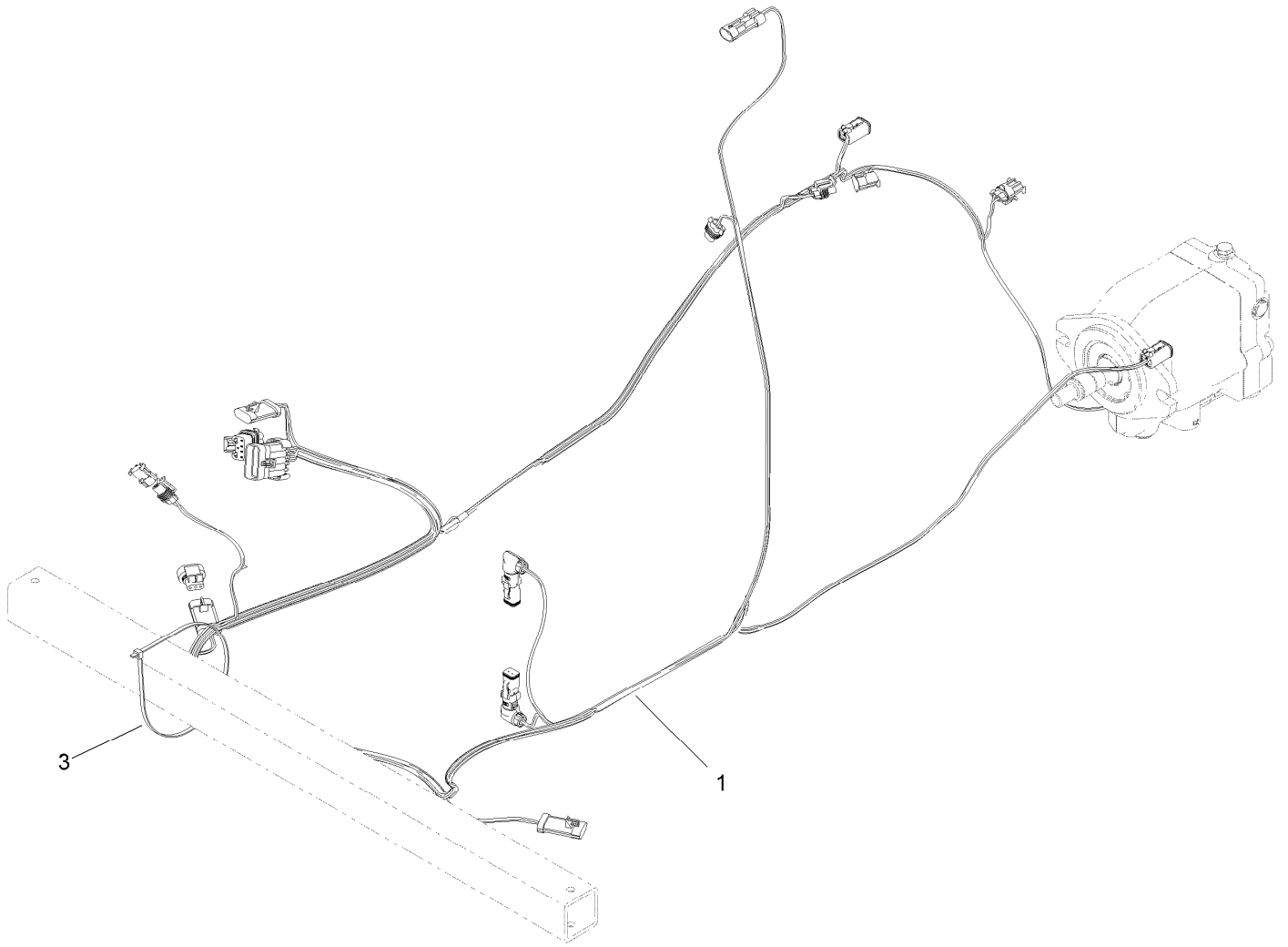
## Acoustic Foam Assembly

| <i>Ref.</i> | <i>Part Number</i> | <i>Qty.</i> | <i>Description</i> |
|-------------|--------------------|-------------|--------------------|
| 15          | 127-3708           | 1           | Foam-Right         |



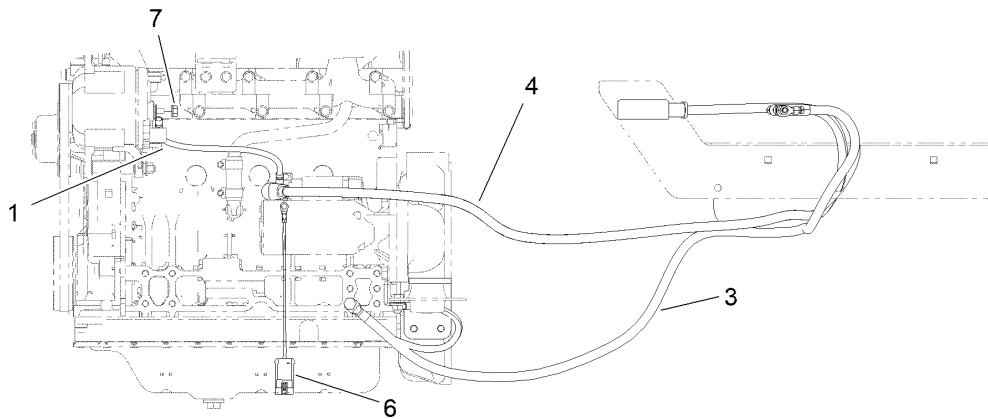
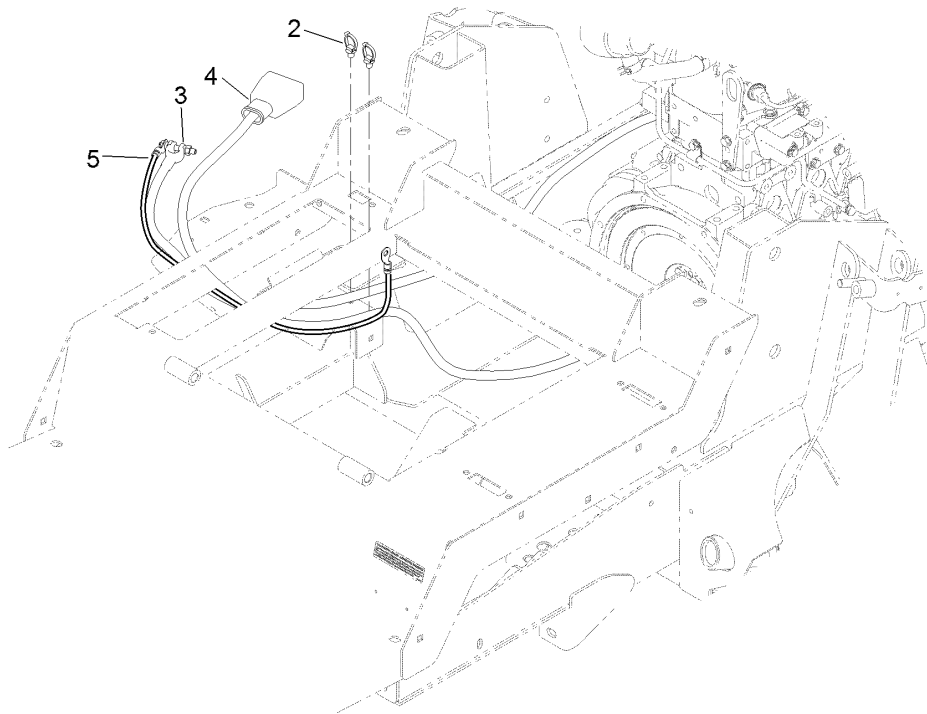
## Platform Wire Harness and Fuse Assembly

| <i>Ref.</i> | <i>Part Number</i> | <i>Qty.</i> | <i>Description</i>       |
|-------------|--------------------|-------------|--------------------------|
| 1           | 122-1530           | 1           | Harness-Wire, Platform   |
| 1:10        | 121-8861           | 3           | Fuse-Mini Blade, 2 Amp   |
| 1:11        | 121-8865           | 6           | Fuse-Mini Blade, 7.5 Amp |
| 1:12        | 121-8866           | 4           | Fuse-Mini Blade, 10 Amp  |
| 1:22        | 32180-043          | 1           | Resistor-120 Ohm         |
| 1:23        | 114-3342           | 1           | Fuse-Maxi, 60 Amp        |
| 1:29        | 104-4022           | 1           | Resistor-75 Ohm          |



## Rear Wire Harness Assembly

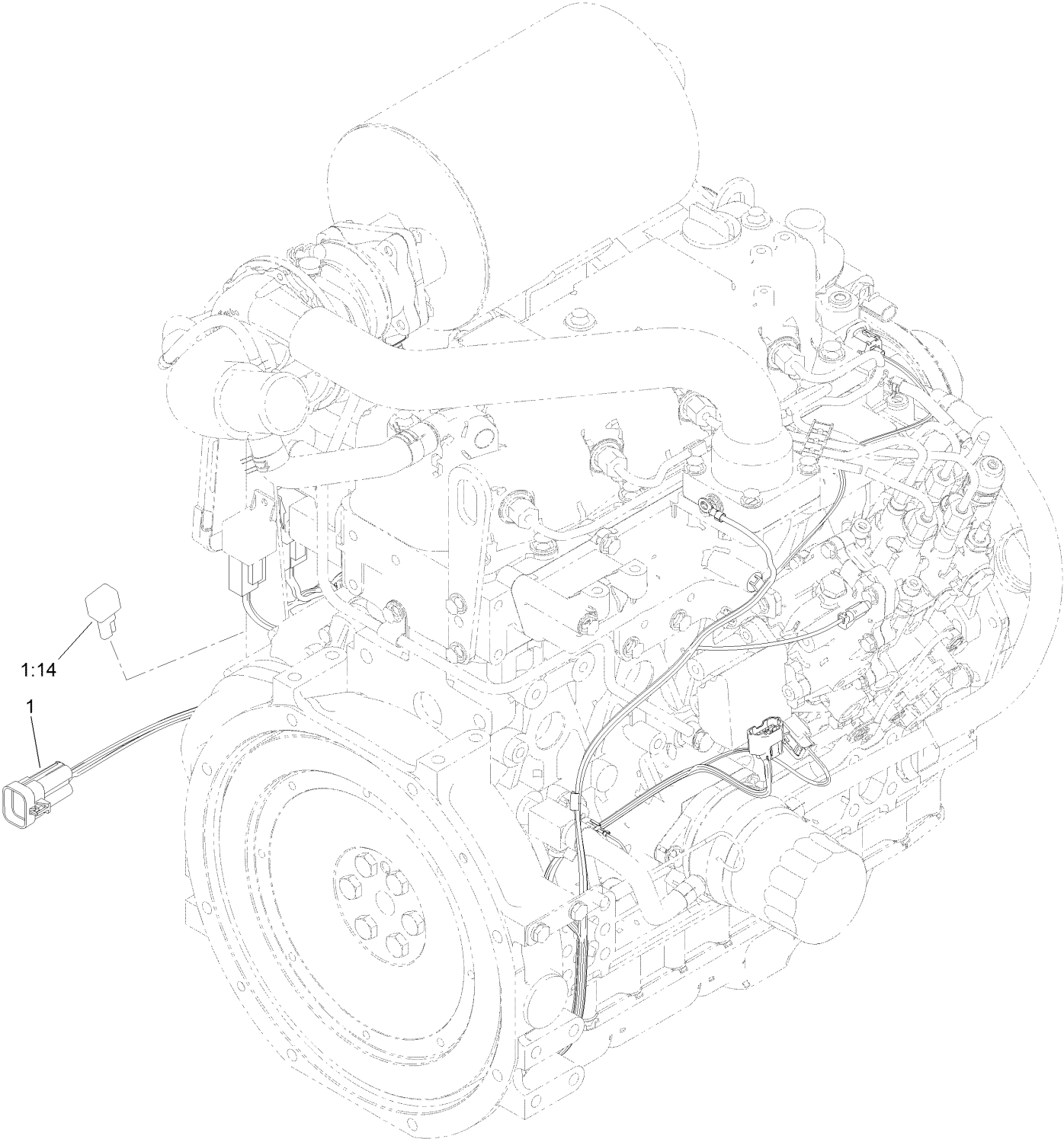
| <i>Ref.</i> | <i>Part Number</i> | <i>Qty.</i> | <i>Description</i> |
|-------------|--------------------|-------------|--------------------|
| 1           | 122-0974           | 1           | Harness-Wire, Rear |
| 3           | 3290-379           | 1           | Tie-Cable          |



## Battery Cable and Ground Assembly

| <i>Ref.</i> | <i>Part Number</i> | <i>Qty.</i> | <i>Description</i>         |
|-------------|--------------------|-------------|----------------------------|
| 1           | 122-0071           | 1           | Cable-Battery, Positive    |
| 2           | 32180-030          | 2           | Clip-Tie                   |
| 3           | 121-8898           | 1           | Cable-Battery, Negative    |
| 4           | 121-8897           | 1           | Cable-Battery, Positive    |
| 5           | 54-3094            | 1           | Cable                      |
| 6           | 108-9470           | 1           | Harness-Wire, Fusible Link |
| 7           | 33004-00           | 2           | Nut-HF                     |

# Engine Harness Assembly

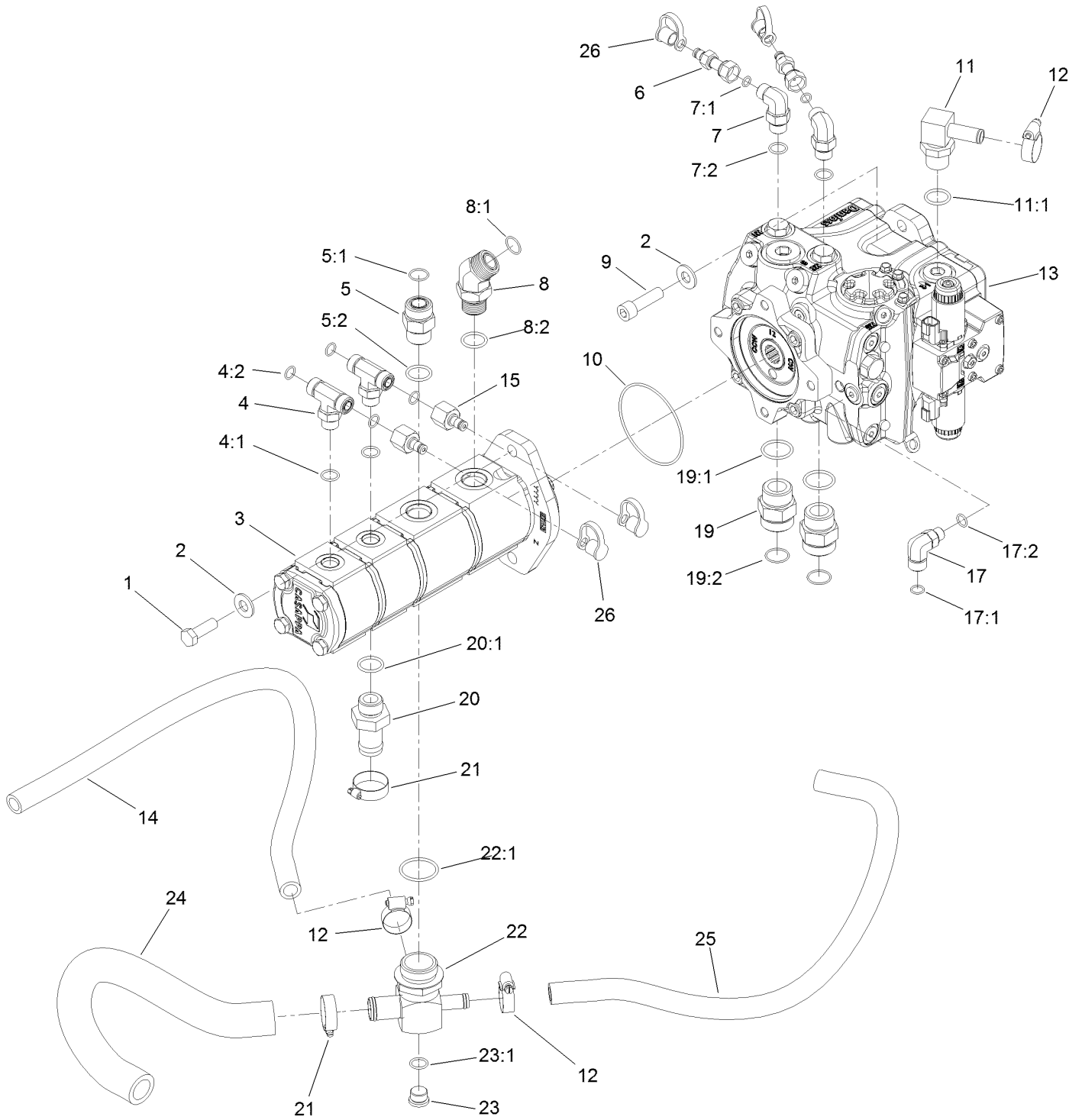




## Engine Harness Assembly (continued)

| <i>Ref.</i> | <i>Part Number</i> | <i>Qty.</i> | <i>Description</i>   |
|-------------|--------------------|-------------|----------------------|
| 1           | 119-4351           | 1           | Harness-Wire, Engine |
| 1:14        | 100-4918           | 1           | Diode                |

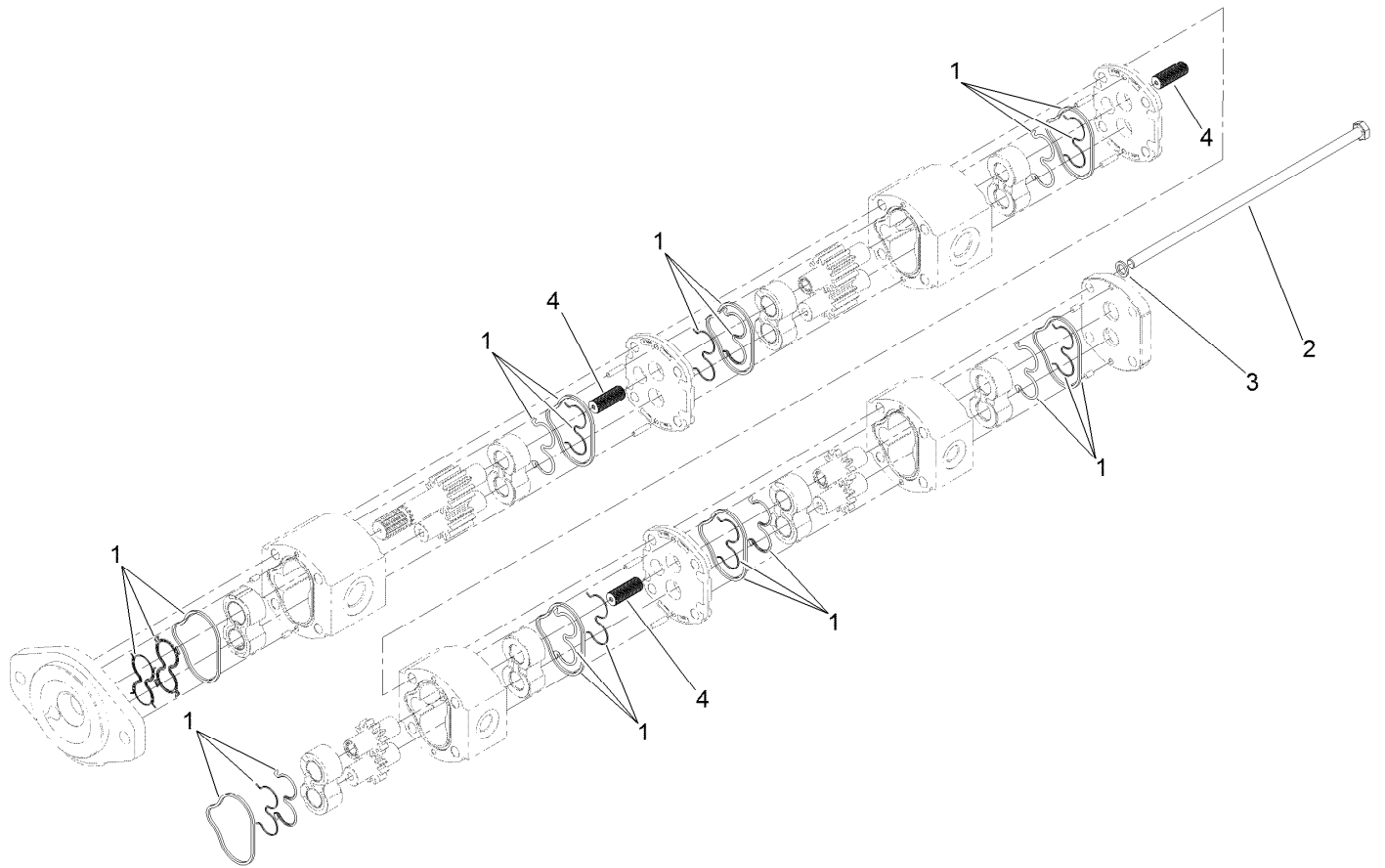
# Piston Pump and Gear Pump Assembly



## Piston Pump and Gear Pump Assembly (continued)

| <i>Ref.</i> | <i>Part Number</i> | <i>Qty.</i> | <i>Description</i>      | <i>Ref.</i> | <i>Part Number</i> | <i>Qty.</i> | <i>Description</i>  |
|-------------|--------------------|-------------|-------------------------|-------------|--------------------|-------------|---------------------|
| 1           | 121-1525           | 2           | Screw-HH                | 12          | 2412-129           | 3           | Clamp-Hose          |
| 2           | 137-5550           | 4           | Washer-Thrust           | 13          | 132-6100           | 1           | Pump-Piston         |
| 3           | 120-8904           | 1           | 4-Section Gear Pump ASM | 14          | 121-1647           | 1           | Hose-HYD            |
| 4           | 340-157            | 2           | Fitting-HYD, Tee        | 15          | 100-5616           | 2           | Fitting             |
| 4:1         | 237-79             | 1           | O-Ring                  | 17          | 340-99             | 1           | Fitting-HYD, 90 DEG |
| 4:2         | 237-30             | 2           | O-Ring                  | 17:1        | 237-30             | 1           | O-Ring              |
| 5           | 340-9              | 1           | Fitting-STR             | 17:2        | 237-42             | 1           | O-Ring              |
| 5:1         | 237-58             | 1           | O-Ring                  | 19          | 104-3797           | 2           | Fitting-Straight    |
| 5:2         | 237-81             | 1           | O-Ring                  | 19:1        | 237-146            | 1           | O-Ring              |
| 6           | 86-5480            | 2           | Nipple-Test             | 19:2        | 340-65             | 1           | O-Ring              |
| 7           | 340-18             | 2           | Fitting-HYD, 90 DEG     | 20          | 99-3017            | 1           | Fitting             |
| 7:1         | 237-79             | 1           | O-Ring                  | 20:1        | 237-81             | 1           | O-Ring              |
| 7:2         | 237-22             | 1           | O-Ring                  | 21          | 2412-34            | 2           | Clamp-Hose          |
| 8           | 100-5530           | 1           | Fitting-45 DEG          | 22          | 121-1682           | 1           | Fitting-Tee         |
| 8:1         | 237-58             | 1           | O-Ring                  | 22:1        | 237-101            | 1           | O-Ring              |
| 8:2         | 237-81             | 1           | O-Ring                  | 23          | 353-988            | 1           | Plug-Hex            |
| 9           | 131-0661           | 2           | Screw-HSH               | 23:1        | 237-79             | 1           | O-Ring              |
| 10          | 107-9447           | 1           | O-Ring                  | 24          | 120-8815           | 1           | Hose-Suction        |
| 11          | 136-4439           | 1           | Fitting-HYD, 90         | 25          | 120-9050           | 1           | Hose-HYD            |
| 11:1        | 237-81             | 1           | O-Ring                  | 26          | 354-79             | 4           | Cap-Dust            |

# 4-Section Gear Pump Assembly No. 120-8904

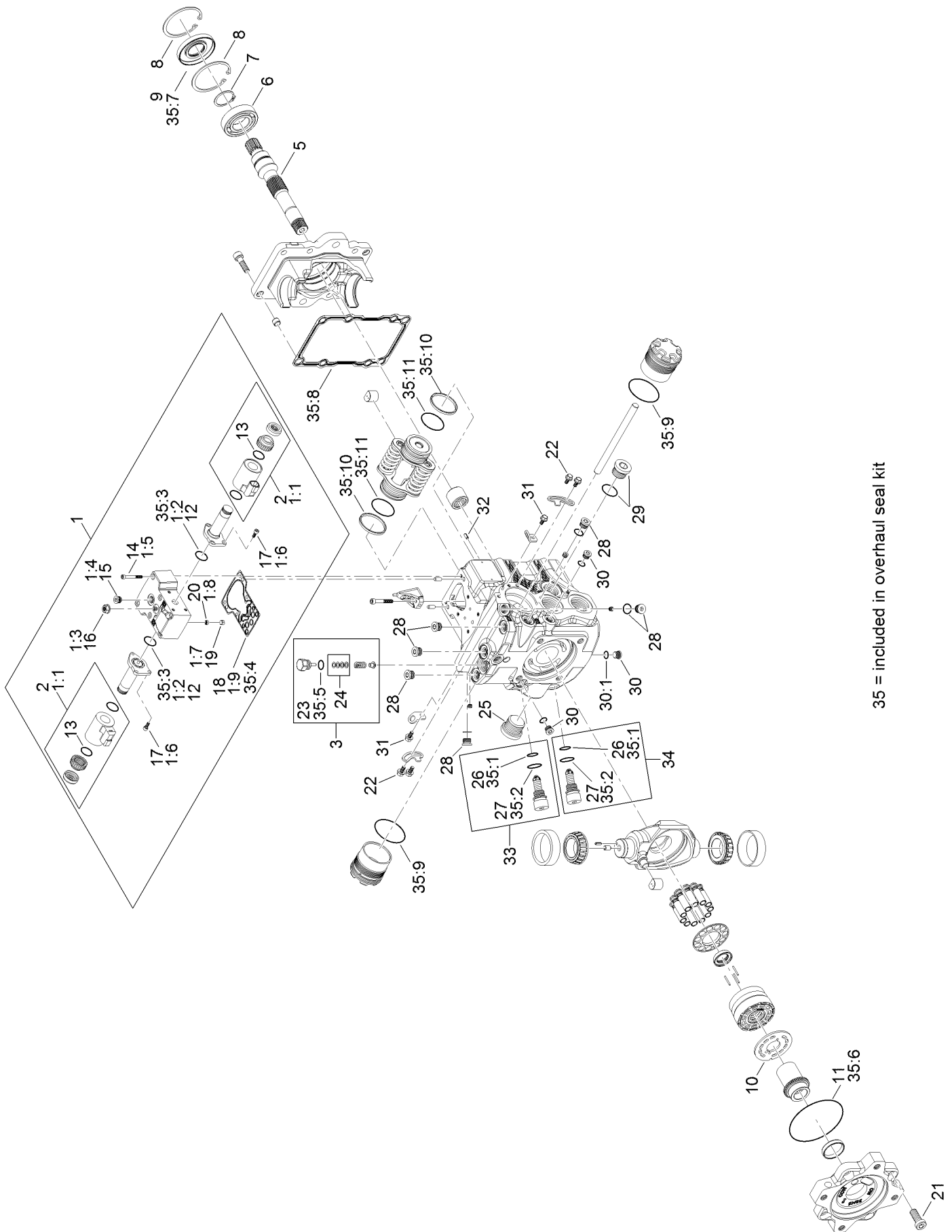


## 4-Section Gear Pump Assembly No. 120-8904 (continued)

| <i>Ref.</i> | <i>Part Number</i> | <i>Qty.</i> | <i>Description</i> |
|-------------|--------------------|-------------|--------------------|
| 1           | 115-3776           | 1           | Seal Kit           |
| 2           | 121-1721           | 4           | Bolt               |

| <i>Ref.</i> | <i>Part Number</i> | <i>Qty.</i> | <i>Description</i> |
|-------------|--------------------|-------------|--------------------|
| 3           | 121-1722           | 4           | Washer             |
| 4           | 120-6284           | 3           | Hub-Connecting     |

# Hydraulic Pump Assembly No. 132-6100

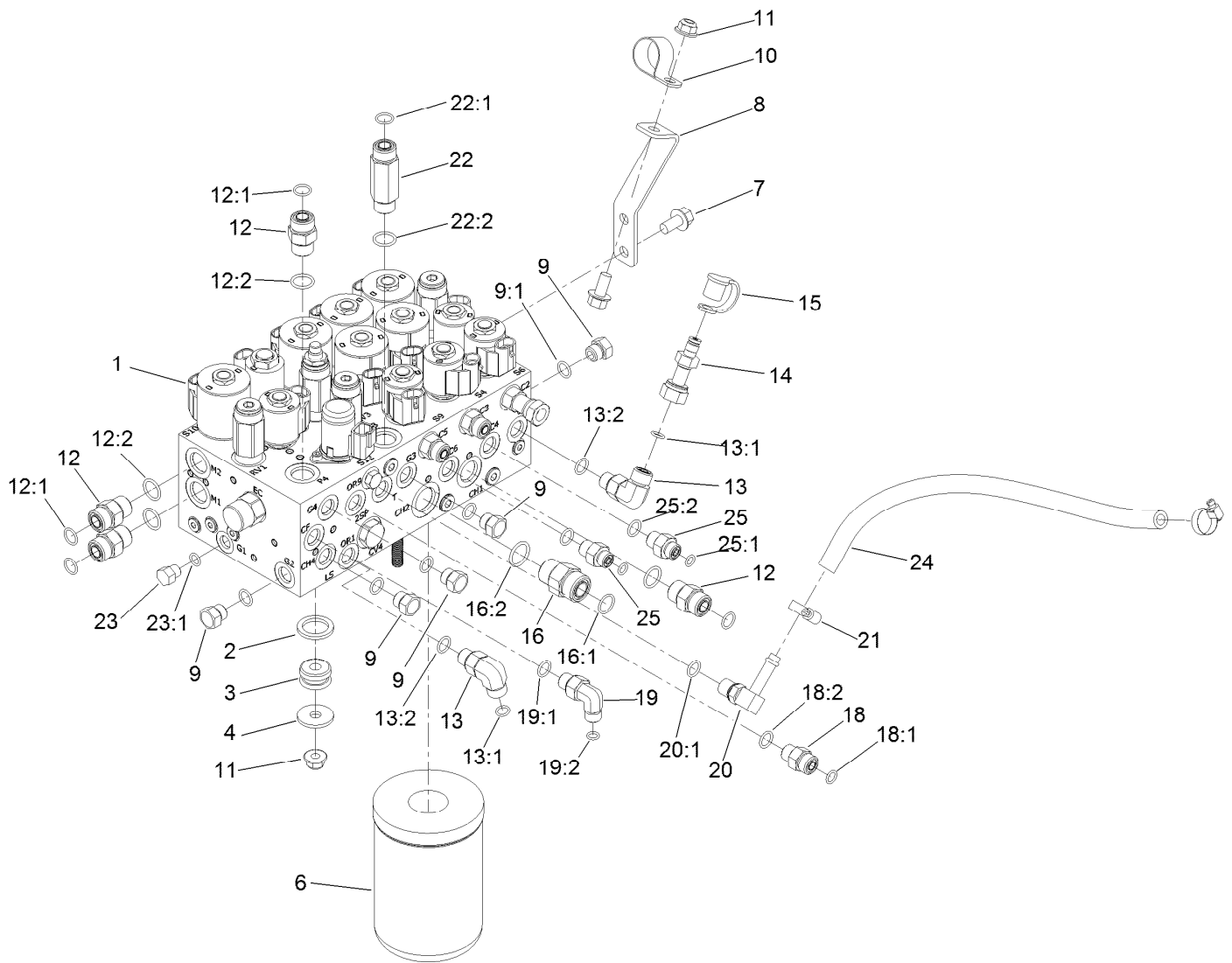


35 = included in overhaul seal kit

# Hydraulic Pump Assembly No. 132-6100 (continued)

| <i>Ref.</i> | <i>Part Number</i> | <i>Qty.</i> | <i>Description</i> | <i>Ref.</i> | <i>Part Number</i> | <i>Qty.</i> | <i>Description</i>          |
|-------------|--------------------|-------------|--------------------|-------------|--------------------|-------------|-----------------------------|
| 1           | 132-6203           | 1           | Control Kit        | 21          | 125-5282           | 4           | Screw                       |
| 1:1         | 132-6204           | 2           | Coil Kit           | 22          | 125-5270           | 4           | Screw                       |
| 1:2         | 125-5288           | 2           | O-Ring             | 23          | 125-5298           | 1           | O-Ring                      |
| 1:3         | 125-5273           | 1           | Nut-Seal           | 24          | 92-1353            | 1           | Shim Kit                    |
| 1:4         | 125-5302           | 1           | Plug               | 25          | 125-5301           | 1           | Plug                        |
| 1:5         | 125-5274           | 6           | Screw              | 26          | 75-0240            | 2           | O-Ring                      |
| 1:6         | 125-5272           | 6           | Screw              | 27          | 84-0560            | 2           | O-Ring                      |
| 1:7         | 125-5269           | 1           | Ring-Locking       | 28          | 69-3080            | 6           | Plug                        |
| 1:8         | 125-5266           | 1           | Screen             | 29          | 69-3130            | 1           | Plug                        |
| 1:9         | 125-5283           | 1           | Gasket-Control     | 30          | 75-0170            | 3           | Plug-Thread, Straight       |
| 2           | 132-6204           | 2           | Coil Kit           | 30:1        | 92-8777            | 1           | O-Ring                      |
| 3           | 136-4397           | 1           | Charge Relief Kit  | 31          | 125-5270           | 2           | Screw                       |
| 5           | 136-4399           | 1           | Shaft              | 32          | 110-6485           | 1           | Pin-Slotted                 |
| 6           | 75-0460            | 1           | Bearing-Ball       | 33          | 136-4393           | 1           | Valve-Relief, High Pressure |
| 7           | 125-5280           | 1           | Ring-Retaining     | 34          | 136-4392           | 1           | Valve-Relief, High Pressure |
| 8           | 131-8616           | 2           | Ring-Retaining     | 35          | 132-6205           | 1           | Overhaul Seal Kit           |
| 9           | 127-6214           | 1           | Seal-Lip           | 35:1        | 75-0240            | 2           | O-Ring                      |
| 10          | 136-4398           | 1           | Valve Plate        | 35:2        | 84-0560            | 2           | O-Ring                      |
| 11          | 132-6206           | 1           | O-Ring             | 35:3        | 125-5288           | 2           | O-Ring                      |
| 12          | 125-5288           | 2           | O-Ring             | 35:4        | 125-5283           | 1           | Gasket-Control              |
| 13          | 131-7388           | 2           | O-Ring             | 35:5        | 125-5298           | 1           | O-Ring                      |
| 14          | 125-5274           | 6           | Screw              | 35:6        | 132-6206           | 1           | O-Ring                      |
| 15          | 125-5302           | 1           | Plug               | 35:7        | 127-6214           | 1           | Seal-Lip                    |
| 16          | 125-5273           | 1           | Nut-Seal           | 35:8        |                    | 1           | Gasket ●                    |
| 17          | 125-5272           | 6           | Screw              | 35:9        |                    | 2           | O-Ring ●                    |
| 18          | 125-5283           | 1           | Gasket-Control     | 35:10       |                    | 2           | Piston Ring ●               |
| 19          | 125-5269           | 1           | Ring-Locking       | 35:11       |                    | 2           | O-Ring ●                    |
| 20          | 125-5266           | 1           | Screen             |             |                    |             |                             |

● Not serviced separately

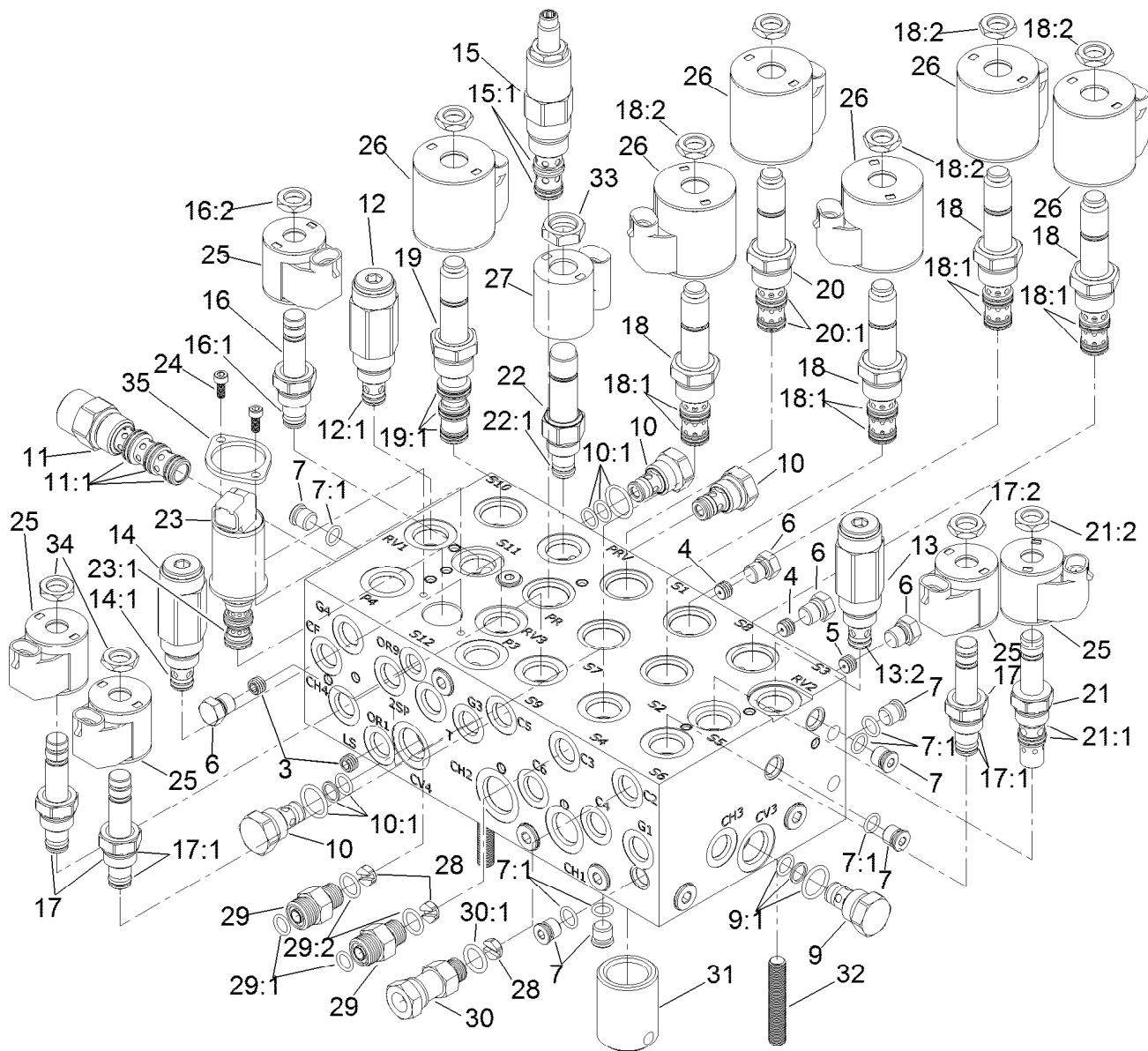


## Combination Manifold Assembly

| Ref. | Part Number | Qty. | Description           |
|------|-------------|------|-----------------------|
| 1    | 137-5582    | 1    | Manifold-Combination  |
| 2    | 92-2650     | 3    | Spacer-Clutch         |
| 3    | 63-9750     | 3    | Mount                 |
| 4    | 63-8410     | 3    | Washer                |
| 6    | 75-1310     | 1    | Filter-HYD            |
| 7    | 3234-1      | 3    | Screw-HHF             |
| 8    | 121-1542    | 1    | Plate-Mount, Hose     |
| 9    | 353-508     | 5    | Plug-HH               |
| 9:1  | 237-42      | 1    | O-Ring                |
| 10   | 2412-126    | 1    | R-Clamp               |
| 11   | 104-8301    | 4    | Nut-HF, NI            |
| 12   | 340-4       | 4    | Fitting-Straight      |
| 12:1 | 237-30      | 1    | O-Ring                |
| 12:2 | 237-79      | 1    | O-Ring                |
| 13   | 340-77      | 2    | Fitting-Elbow, 90 DEG |
| 13:1 | 237-22      | 1    | O-Ring                |
| 13:2 | 237-42      | 1    | O-Ring                |
| 14   | 86-5480     | 1    | Nipple-Test           |
| 15   | 354-79      | 1    | Cap-Dust              |
| 16   | 340-7       | 1    | Fitting-Straight      |
| 16:1 | 237-65      | 1    | O-Ring                |

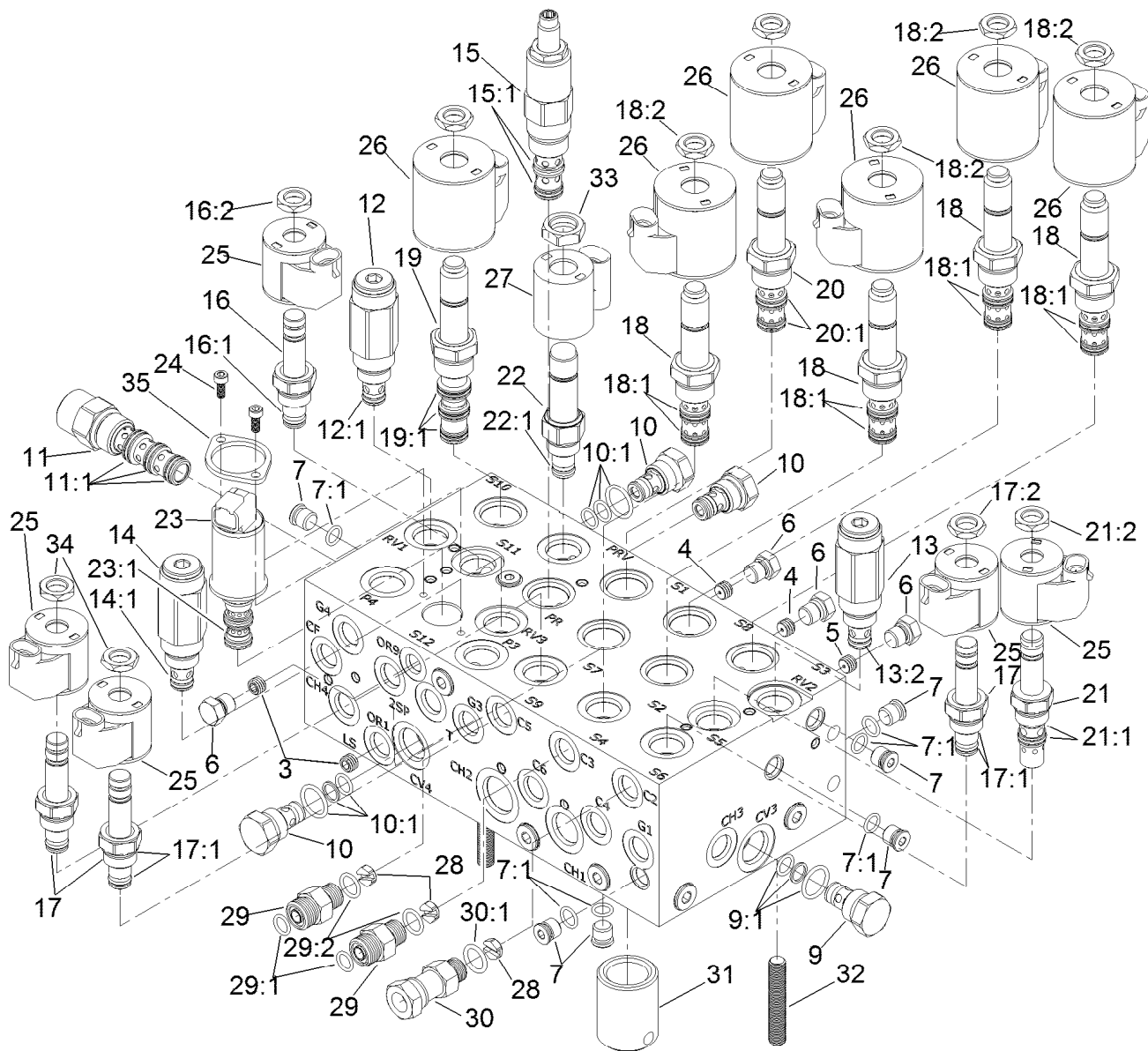
| Ref. | Part Number | Qty. | Description           |
|------|-------------|------|-----------------------|
| 16:2 | 237-80      | 1    | O-Ring                |
| 18   | 340-2       | 1    | Fitting-Straight      |
| 18:1 | 237-22      | 1    | O-Ring                |
| 18:2 | 237-42      | 1    | O-Ring                |
| 19   | 340-82      | 1    | Fitting-Elbow, 90 DEG |
| 19:1 | 237-42      | 1    | O-Ring                |
| 19:2 | 237-21      | 1    | O-Ring                |
| 20   | 100-4887    | 1    | Fitting-Elbow, 90     |
| 20:1 | 237-42      | 1    | O-Ring                |
| 21   | 2412-36     | 2    | Clamp-Hose            |
| 22   | 119-4854    | 1    | Fitting-STR           |
| 22:1 | 237-30      | 1    | O-Ring                |
| 22:2 | 237-79      | 1    | O-Ring                |
| 23   | 353-512     | 1    | Plug                  |
| 23:1 | 237-78      | 1    | O-Ring                |
| 24   | 87-5730     | 1    | Hose                  |
| 25   | 340-1       | 2    | Fitting-Straight      |
| 25:1 | 237-21      | 1    | O-Ring                |
| 25:2 | 237-42      | 1    | O-Ring                |





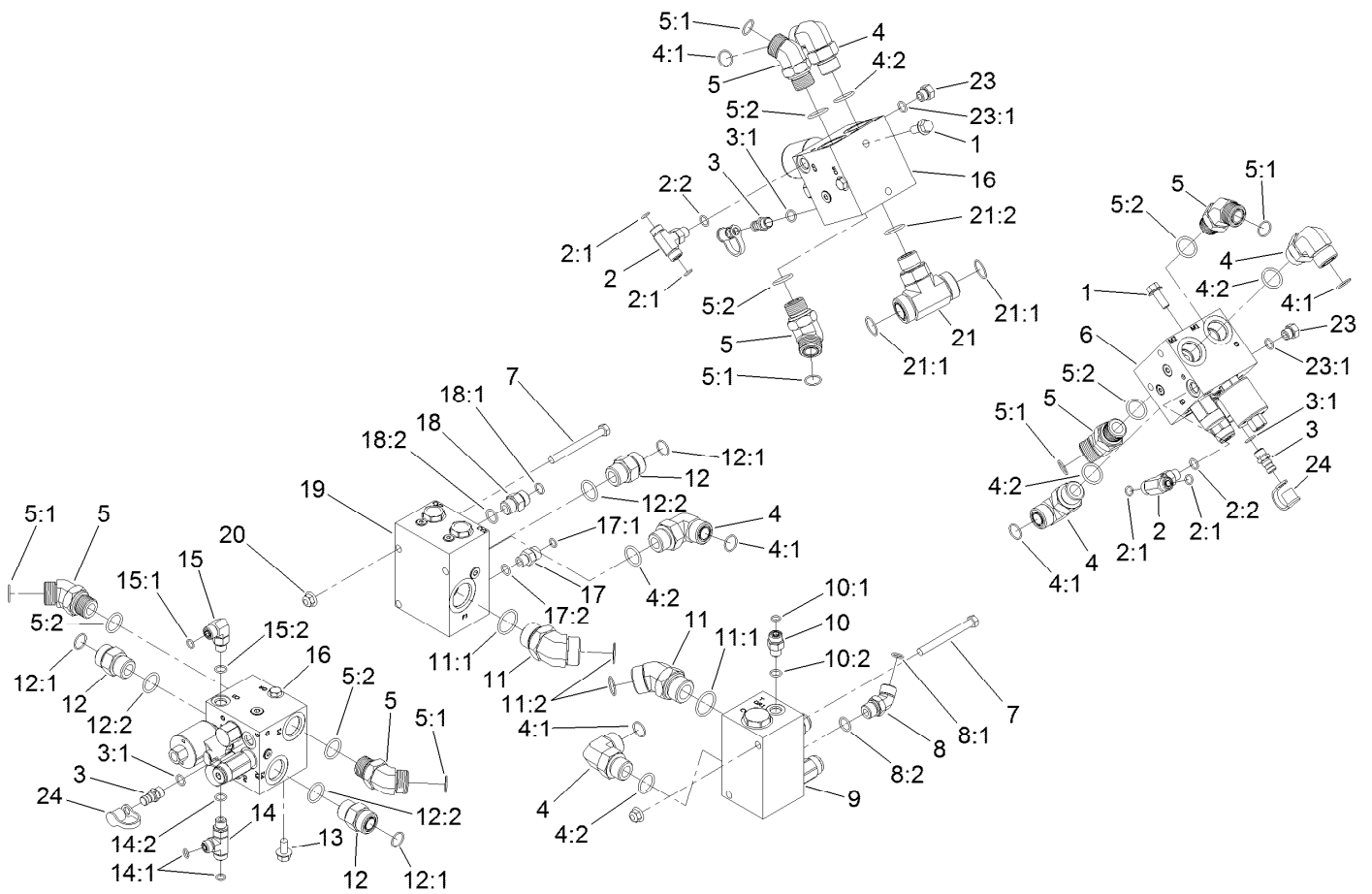
## Combination Manifold Assembly No. 137-5582

| Ref. | Part Number | Qty. | Description             | Ref. | Part Number | Qty. | Description                      |
|------|-------------|------|-------------------------|------|-------------|------|----------------------------------|
| 3    | 136-4363    | 2    | Orifice-0.028           | 16:1 | 105-9156    | 1    | Seal Kit                         |
| 4    | 112-6538    | 2    | Orifice (.063 Inch)     | 16:2 | 110-2634    | 1    | Nut-Coil                         |
| 5    | 110-8883    | 1    | Plug-Orifice (0.040)    | 17   | 112-9206    | 3    | Solenoid Valve ASM               |
| 6    | 117-0115    | 4    | Plug                    | 17:1 | 105-9156    | 1    | Seal Kit                         |
| 7    | 353-990     | 14   | Plug ASM                | 17:2 | 110-2634    | 1    | Nut-Coil                         |
| 7:1  | 237-78      | 1    | O-Ring                  | 18   | 115-5400    | 4    | Solenoid Valve ASM               |
| 9    | 114-2873    | 1    | Check Valve ASM         | 18:1 | 107-7813    | 1    | Seal Kit                         |
| 9:1  | 105-9156    | 1    | Seal Kit                | 18:2 | 110-2634    | 1    | Nut-Coil                         |
| 10   | 105-9321    | 3    | Check Valve ASM         | 19   | 115-3023    | 1    | Solenoid Valve ASM               |
| 10:1 | 105-9156    | 1    | Seal Kit                | 19:1 | 110-8908    | 1    | Spool Valve Seal Kit             |
| 11   | 115-5409    | 1    | Compensator ASM         | 20   | 125-7556    | 1    | Solenoid Valve ASM               |
| 11:1 | 110-8908    | 1    | Spool Valve Seal Kit    | 20:1 | 107-7813    | 1    | Seal Kit                         |
| 12   | 125-7560    | 1    | Relief Valve ASM        | 21   | 115-5405    | 1    | Solenoid Valve ASM               |
| 12:1 | 105-9156    | 1    | Seal Kit                | 21:1 | 115-5413    | 1    | Seal Kit                         |
| 13   | 105-9844    | 1    | Valve-Relief            | 21:2 | 110-2634    | 1    | Nut-Coil                         |
| 13:2 | 105-9156    | 1    | Seal Kit                | 22   | 125-7555    | 1    | Proportional Relief Valve ASM    |
| 14   | 125-7558    | 1    | Relief Valve ASM        | 22:1 | 110-6316    | 1    | Seal Kit                         |
| 14:1 | 105-9156    | 1    | Seal Kit                | 23   | 138-3828    | 1    | Valve-Solenoid, 3 Way 2 Position |
| 15   | 127-3663    | 1    | Valve-Pressure Reducing | 23:1 | 138-3831    | 1    | Seal Kit                         |
| 15:1 | 105-9154    | 1    | Seal Kit                |      |             |      |                                  |
| 16   | 107-7516    | 1    | Solenoid Valve ASM      |      |             |      |                                  |



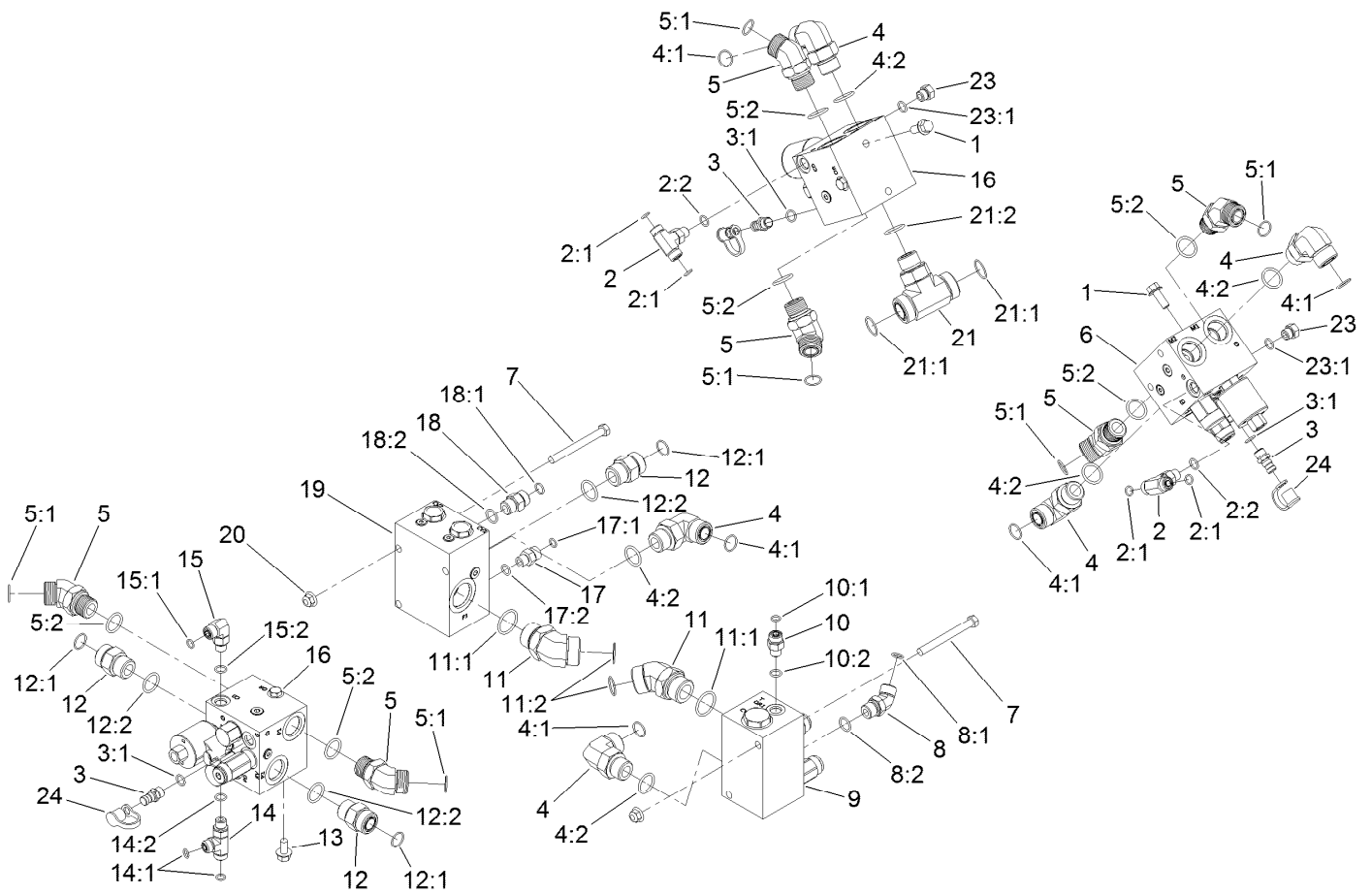
## Combination Manifold Assembly No. 137-5582 (continued)

| Ref. | Part Number | Qty. | Description             | Ref. | Part Number | Qty. | Description                |
|------|-------------|------|-------------------------|------|-------------|------|----------------------------|
| 24   | 138-3827    | 2    | Screw                   | 30   | 104-3779    | 1    | Connector-Swivel, Straight |
| 25   | 110-0497    | 5    | Coil-Solenoid           | 30:1 | 237-42      | 1    | O-Ring                     |
| 26   | 110-6344    | 6    | Coil-12V, DC            | 31   | 125-7551    | 1    | Nipple-Filter              |
| 27   | 125-7553    | 1    | E-Coil, 12Vdc           | 32   | 130-2661    | 3    | Stud-Manifold              |
| 28   | 125-7552    | 3    | Orifice-Check, .070 DIA | 33   | 125-7550    | 1    | Nut-Coil                   |
| 29   | 340-2       | 2    | Fitting-Straight        | 34   | 110-2634    | 11   | Nut-Coil                   |
| 29:1 | 237-22      | 1    | O-Ring                  | 35   | 138-3825    | 1    | Plate-Mounting, Standard   |
| 29:2 | 237-42      | 1    | O-Ring                  |      |             |      |                            |



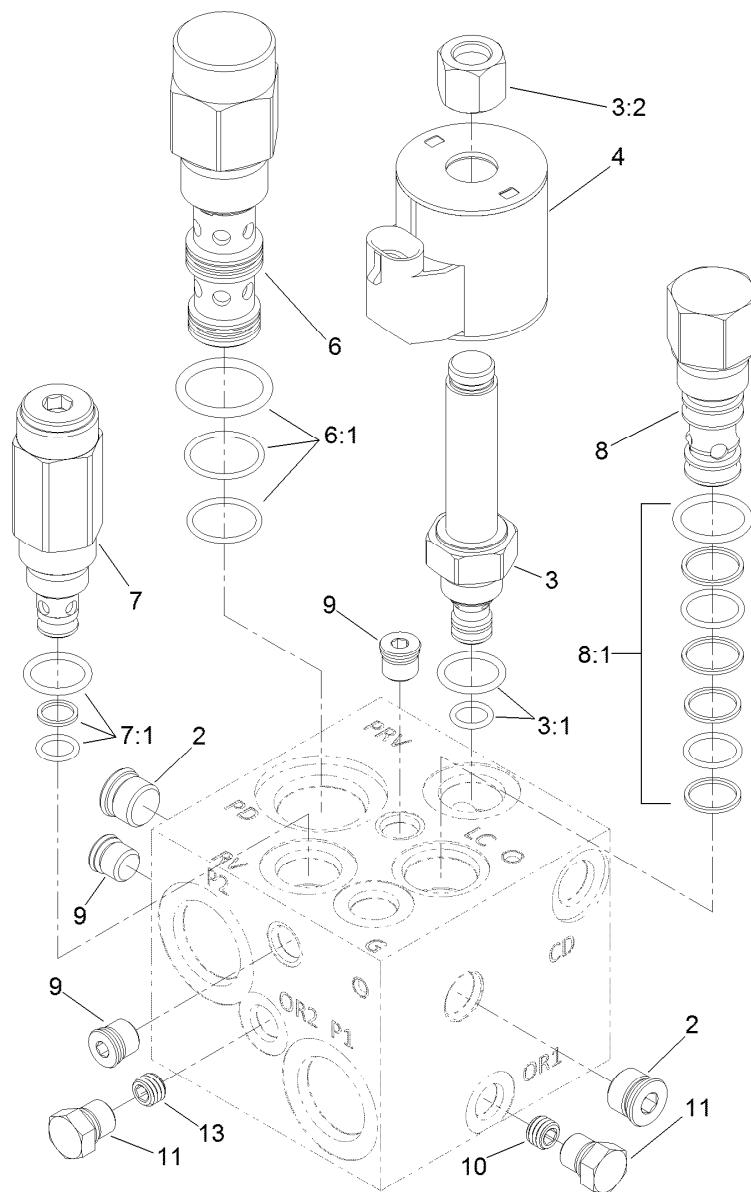
## Manifold Block Assembly

| <i>Ref.</i> | <i>Part Number</i> | <i>Qty.</i> | <i>Description</i>      | <i>Ref.</i> | <i>Part Number</i> | <i>Qty.</i> | <i>Description</i>                   |
|-------------|--------------------|-------------|-------------------------|-------------|--------------------|-------------|--------------------------------------|
| 1           | 3234-11            | 4           | Screw-HHF               | 11          | 104-3509           | 2           | Fitting-HYD, 45 DEG                  |
| 2           | 340-94             | 2           | Adapter                 | 11:1        | 237-146            | 1           | O-Ring                               |
| 2:1         | 237-22             | 2           | O-Ring                  | 11:2        | 340-65             | 1           | O-Ring                               |
| 2:2         | 237-42             | 1           | O-Ring                  | 12          | 340-9              | 3           | Fitting-STR                          |
| 3           | 59-7410            | 3           | Fitting-Diagnostic      | 12:1        | 237-58             | 1           | O-Ring                               |
| 3:1         | 237-42             | 1           | O-Ring                  | 12:2        | 237-81             | 1           | O-Ring                               |
| 4           | 340-142            | 5           | Fitting-Elbow, 90 DEG   | 13          | 3234-1             | 2           | Screw-HHF                            |
| 4:1         | 237-58             | 1           | O-Ring                  | 14          | 340-86             | 1           | Fitting-Tee                          |
| 4:2         | 237-81             | 1           | O-Ring                  | 14:1        | 237-22             | 2           | O-Ring                               |
| 5           | 100-5530           | 6           | Fitting-45 DEG          | 14:2        | 237-42             | 1           | O-Ring                               |
| 5:1         | 237-58             | 1           | O-Ring                  | 15          | 340-77             | 1           | Fitting-Elbow, 90 DEG                |
| 5:2         | 237-81             | 1           | O-Ring                  | 15:1        | 237-22             | 1           | O-Ring                               |
| 6           | 131-1249           | 1           | Manifold-PTO, Left      | 15:2        | 237-42             | 1           | O-Ring                               |
| 7           | 323-42             | 4           | Screw-HH                | 16          | 131-1248           | 2           | Center And Right PTO<br>Manifold ASM |
| 8           | 340-101            | 1           | Fitting-HYD, 45 DEG     | 17          | 92-9258            | 1           | Adapter-Check                        |
| 8:1         | 237-30             | 1           | O-Ring                  | 17:1        | 237-22             | 1           | O-Ring                               |
| 8:2         | 237-79             | 1           | O-Ring                  | 17:2        | 237-42             | 1           | O-Ring                               |
| 9           | 121-1530           | 1           | Manifold-Traction, Rear | 18          | 100-4890           | 1           | Fitting-Check                        |
| 10          | 340-2              | 1           | Fitting-Straight        | 18:1        | 237-79             | 1           | O-Ring                               |
| 10:1        | 237-22             | 1           | O-Ring                  | 18:2        | 237-30             | 1           | O-Ring                               |
| 10:2        | 237-42             | 1           | O-Ring                  |             |                    |             |                                      |



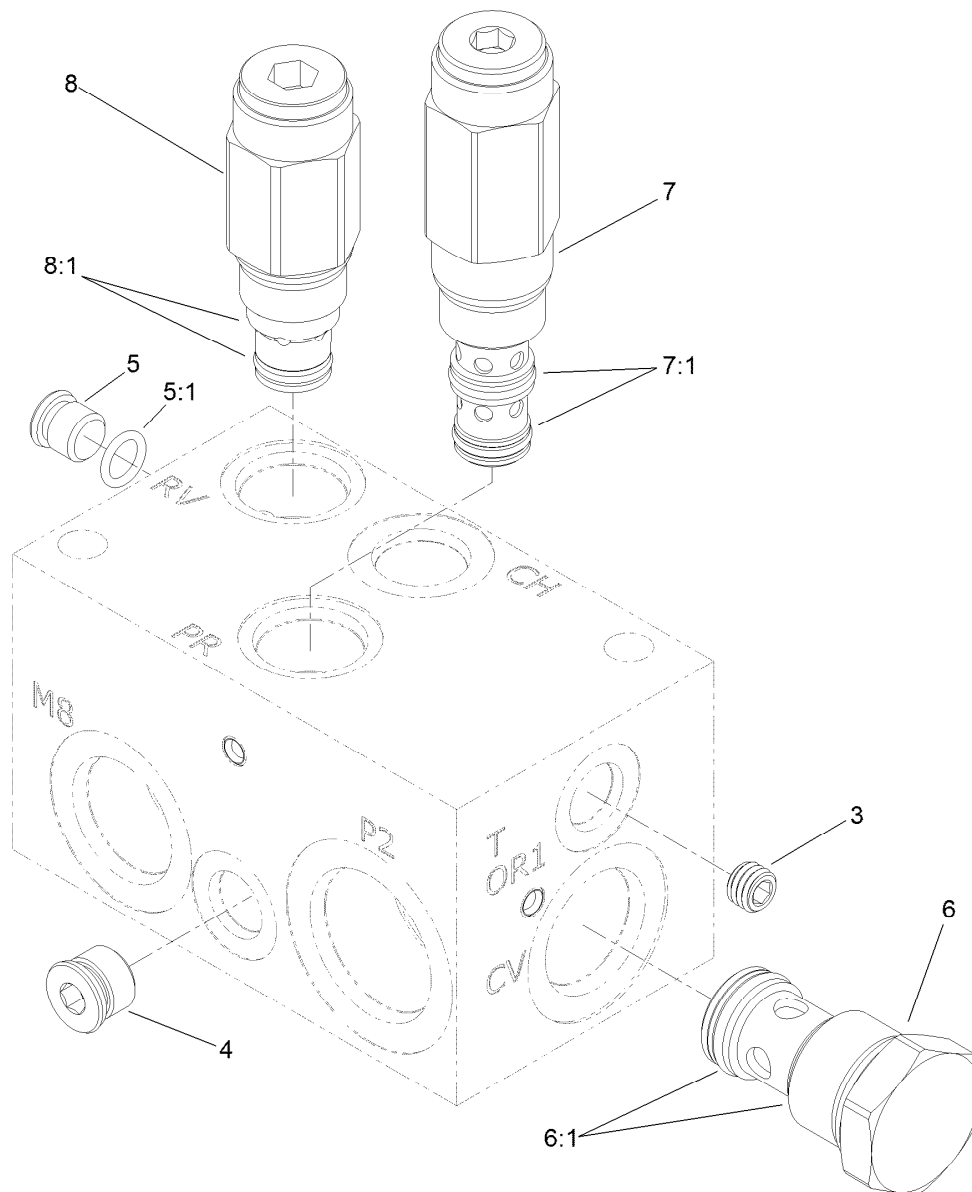
## Manifold Block Assembly (continued)

| <i>Ref.</i> | <i>Part Number</i> | <i>Qty.</i> | <i>Description</i>        | <i>Ref.</i> | <i>Part Number</i> | <i>Qty.</i> | <i>Description</i> |
|-------------|--------------------|-------------|---------------------------|-------------|--------------------|-------------|--------------------|
| 19          | 121-1550           | 1           | Flow Divider Manifold ASM | 21:2        | 237-81             | 1           | O-Ring             |
| 20          | 104-8301           | 4           | Nut-HF, NI                | 23          | 353-508            | 2           | Plug-HH            |
| 21          | 120-8825           | 1           | Fitting-Tee               | 23:1        | 237-42             | 1           | O-Ring             |
| 21:1        | 340-65             | 2           | O-Ring                    | 24          | 354-79             | 3           | Cap-Dust           |



## Left PTO Manifold Assembly No. 131-1249

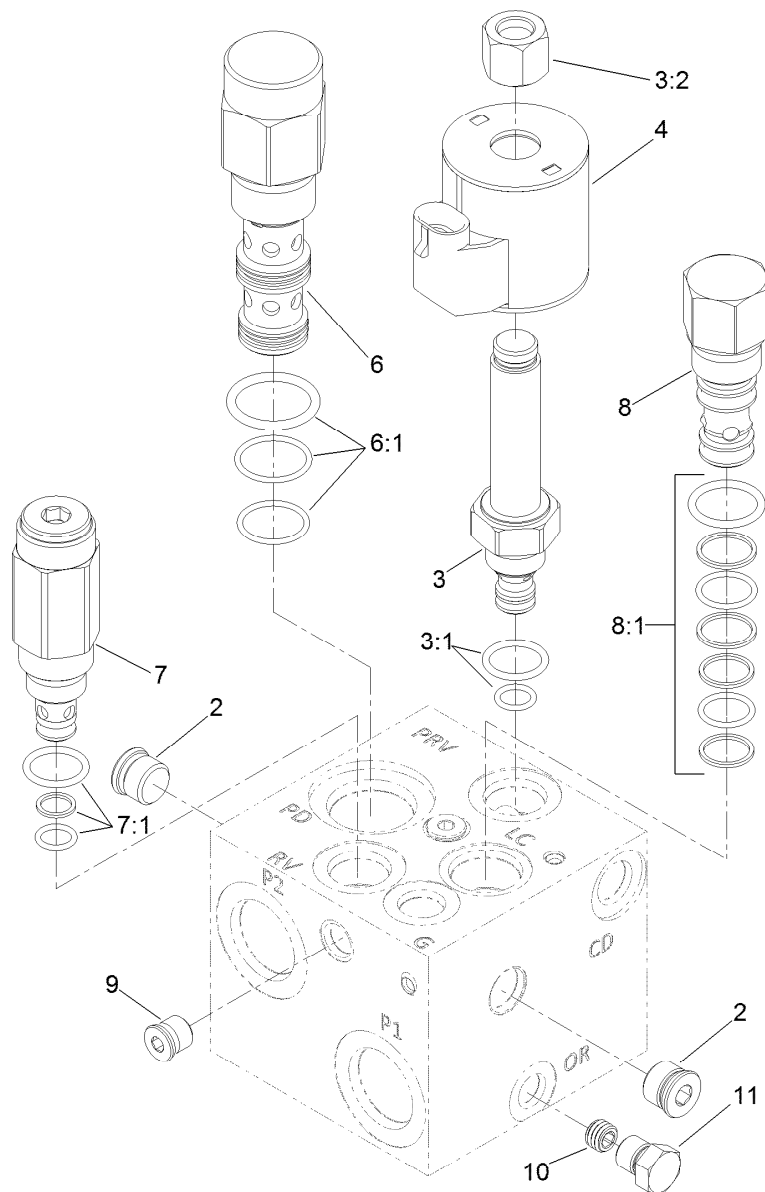
| Ref. | Part Number | Qty. | Description                |
|------|-------------|------|----------------------------|
| 2    | 112-9213    | 2    | Plug                       |
| 3    | 117-0227    | 1    | Valve-Relief, Proportional |
| 3:1  | 105-9156    | 1    | Seal Kit                   |
| 3:2  | 130-8180    | 1    | Nut-Coil (9/16-24 Unef-2B) |
| 4    | 110-6344    | 1    | Coil-12V, DC               |
| 6    | 125-4327    | 1    | Valve-Directional, Pilot   |
| 6:1  | 114-5515    | 1    | Seal Kit                   |
| 7    | 114-5512    | 1    | Valve-Relief, 600 PSI      |
| 7:1  | 105-9156    | 1    | Seal Kit                   |
| 8    | 105-9153    | 1    | Element-Logic, Vented      |
| 8:1  | 119-2159    | 1    | Seal Kit                   |
| 9    | 112-9212    | 3    | Plug                       |
| 10   | 117-8315    | 1    | Orifice (.025 Inch)        |
| 11   | 117-0115    | 2    | Plug                       |
| 13   | 112-6538    | 1    | Orifice (.063 Inch)        |



## Rear Traction Manifold Assembly No. 121-1530

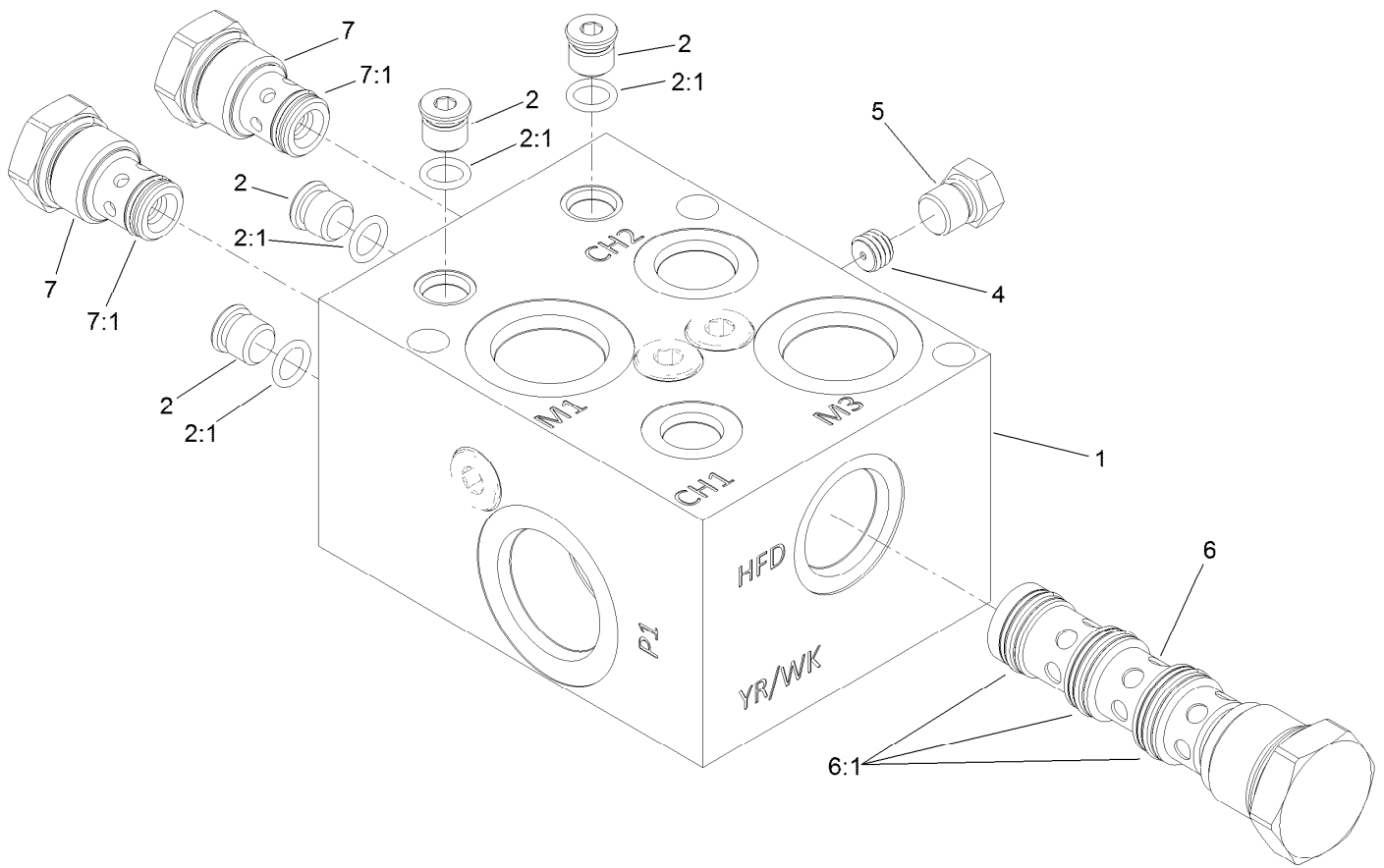
| <i>Ref.</i> | <i>Part Number</i> | <i>Qty.</i> | <i>Description</i>        |
|-------------|--------------------|-------------|---------------------------|
| 3           | 110-0495           | 1           | Plug-Orifice (0.050 Inch) |
| 4           |                    | 1           | Plug ●                    |
| 5           | 353-990            | 1           | Plug ASM                  |
| 5:1         | 237-78             | 1           | O-Ring                    |
| 6           | 125-4328           | 1           | Valve-Check               |
| 6:1         | 125-4336           | 1           | Seal Kit                  |
| 7           | 136-4362           | 1           | Valve-Reducing            |
| 7:1         | 136-4361           | 1           | Seal Kit                  |
| 8           | 125-4331           | 1           | Valve-Relief              |
| 8:1         | 110-6316           | 1           | Seal Kit                  |

● Not serviced separately



## Center and Right PTO Manifold Assembly No. 131-1248

| Ref. | Part Number | Qty. | Description                |
|------|-------------|------|----------------------------|
| 2    | 112-9213    | 2    | Plug                       |
| 3    | 117-0227    | 1    | Valve-Relief, Proportional |
| 3:1  | 105-9156    | 1    | Seal Kit                   |
| 3:2  | 130-8180    | 1    | Nut-Coil (9/16-24 Unef-2B) |
| 4    | 110-6344    | 1    | Coil-12V, DC               |
| 6    | 125-4327    | 1    | Valve-Directional, Pilot   |
| 6:1  | 114-5515    | 1    | Seal Kit                   |
| 7    | 114-5512    | 1    | Valve-Relief, 600 PSI      |
| 7:1  | 105-9156    | 1    | Seal Kit                   |
| 8    | 105-9153    | 1    | Element-Logic, Vented      |
| 8:1  | 119-2159    | 1    | Seal Kit                   |
| 9    | 112-9212    | 3    | Plug                       |
| 10   | 117-8315    | 1    | Orifice (.025 Inch)        |
| 11   | 117-0115    | 1    | Plug                       |

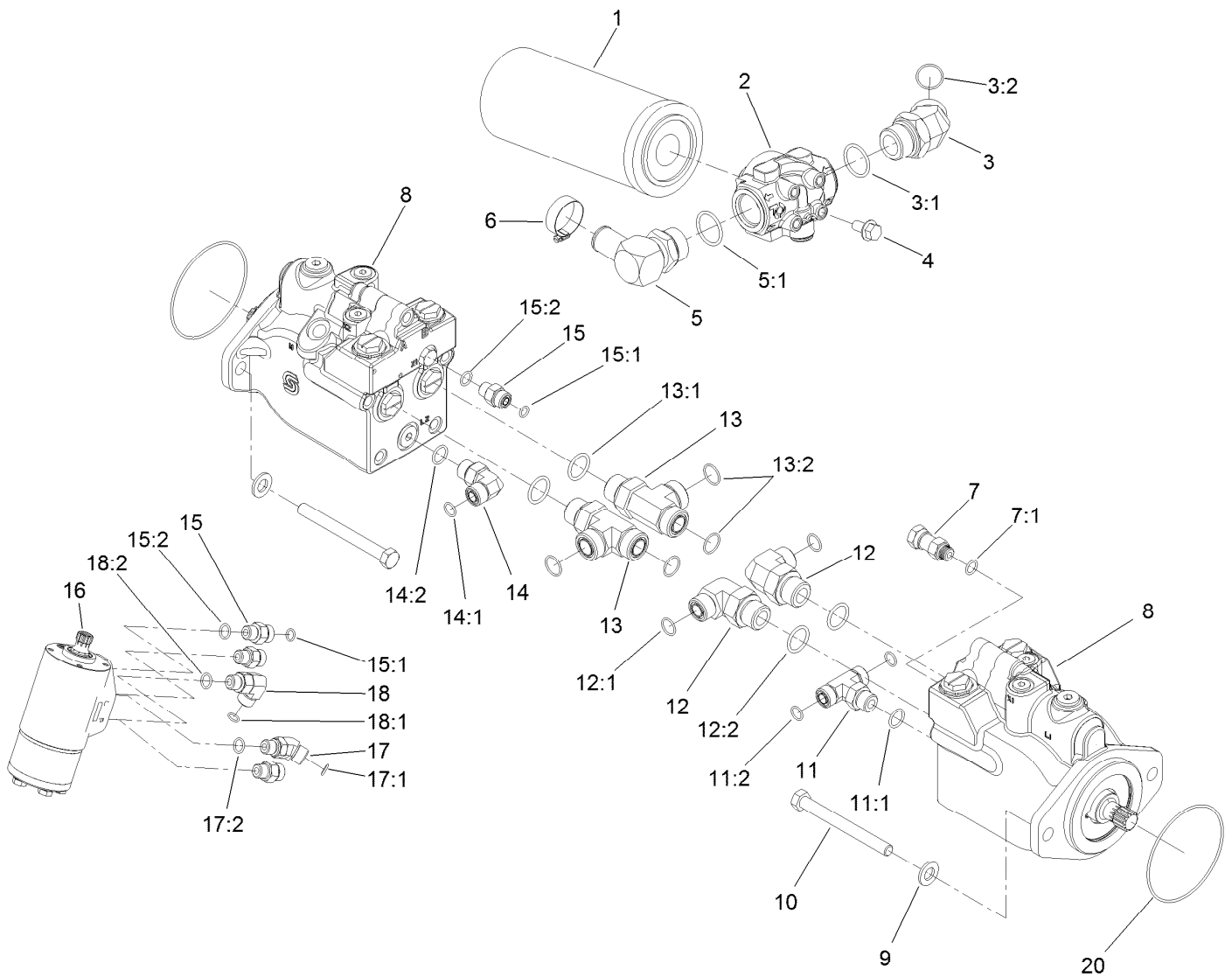


## Flow Divider Manifold Assembly No. 121-1550

| <i>Ref.</i> | <i>Part Number</i> | <i>Qty.</i> | <i>Description</i>  |
|-------------|--------------------|-------------|---------------------|
| 1           |                    | 1           | Manifold Block ●    |
| 2           | 353-990            | 4           | Plug ASM            |
| 2:1         | 237-78             | 1           | O-Ring              |
| 4           | 112-6538           | 1           | Orifice (.063 Inch) |
| 5           | 117-0115           | 1           | Plug                |
| 6           | 125-4332           | 1           | Valve-Flow Divider  |
| 6:1         | 125-4338           | 1           | Seal Kit            |
| 7           | 125-4333           | 2           | Valve-Check         |
| 7:1         | 125-4337           | 1           | Seal Kit            |

● Not serviced separately

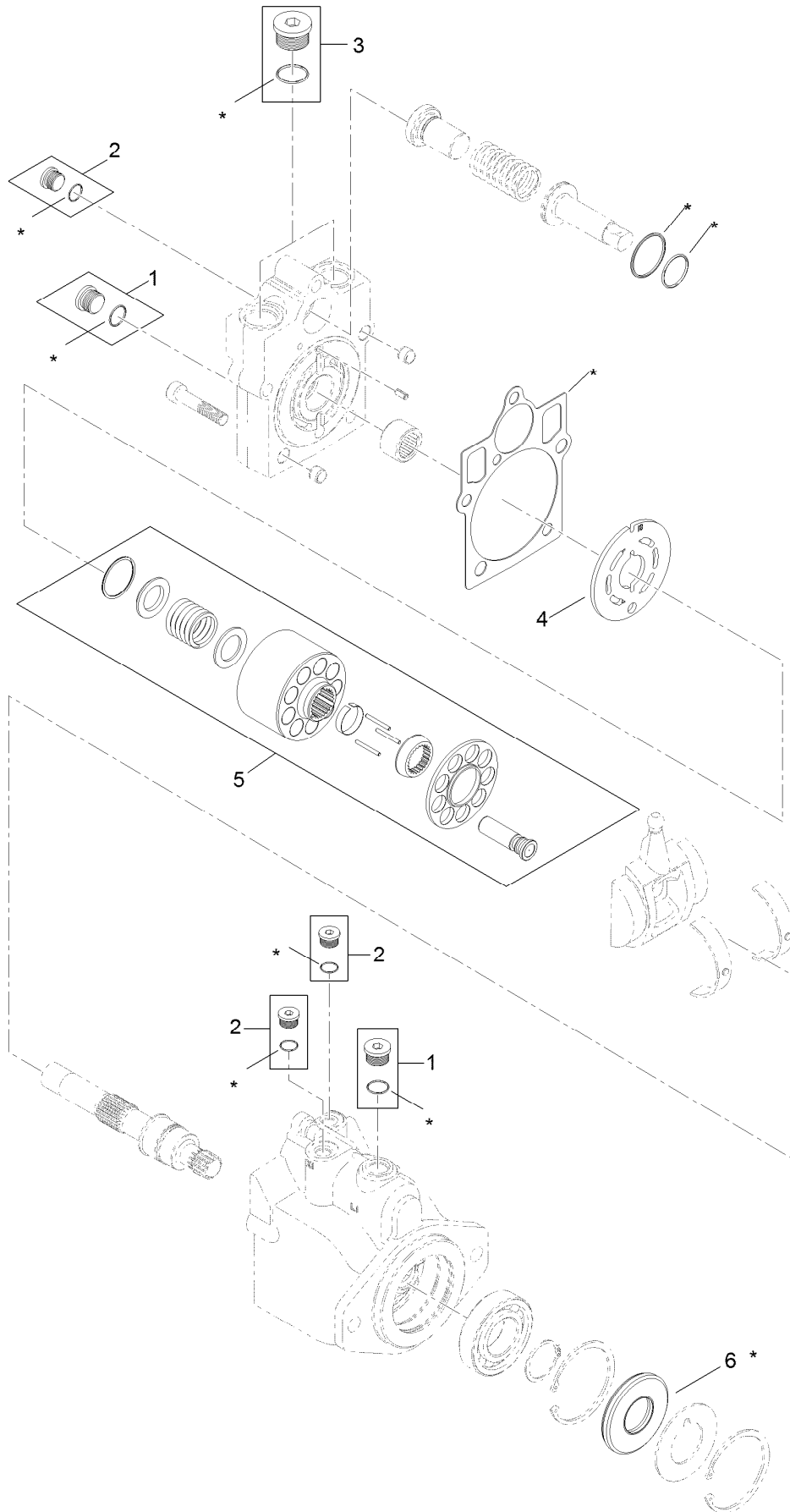




## Drive Motor, Steer Valve and Filter Head Assembly

| Ref. | Part Number | Qty. | Description                | Ref. | Part Number | Qty. | Description           |
|------|-------------|------|----------------------------|------|-------------|------|-----------------------|
| 1    | 94-2621     | 1    | Element-Filter             | 12:2 | 237-65      | 1    | O-Ring                |
| 2    | 121-1577    | 1    | Head-Filter                | 13   | 340-148     | 2    | Fitting-Tee           |
| 3    | 104-3509    | 1    | Fitting-HYD, 45 DEG        | 13:1 | 237-81      | 1    | O-Ring                |
| 3:1  | 237-146     | 1    | O-Ring                     | 13:2 | 237-58      | 2    | O-Ring                |
| 3:2  | 340-65      | 1    | O-Ring                     | 14   | 340-98      | 1    | Fitting-Elbow, 90 DEG |
| 4    | 3234-1      | 4    | Screw-HHF                  | 14:1 | 237-79      | 1    | O-Ring                |
| 5    | 23-8910     | 1    | Stem-Barb-90               | 14:2 | 237-30      | 1    | O-Ring                |
| 5:1  | 237-146     | 1    | O-Ring                     | 15   | 340-2       | 4    | Fitting-Straight      |
| 6    | 2412-34     | 1    | Clamp-Hose                 | 15:1 | 237-22      | 1    | O-Ring                |
| 7    | 104-3779    | 1    | Connector-Swivel, Straight | 15:2 | 237-42      | 1    | O-Ring                |
| 7:1  | 237-42      | 1    | O-Ring                     | 16   | 132-6256    | 1    | Valve-Steer           |
| 8    | 120-8812    | 2    | HYD Motor ASM              | 17   | 340-87      | 1    | Fitting-Elbow, 45 DEG |
| 9    | 106-9888    | 4    | Washer-Flat                | 17:1 | 237-22      | 1    | O-Ring                |
| 10   | 33116-110   | 4    | Screw-HH                   | 17:2 | 237-42      | 1    | O-Ring                |
| 11   | 340-157     | 1    | Fitting-HYD, Tee           | 18   | 340-77      | 1    | Fitting-Elbow, 90 DEG |
| 11:1 | 237-79      | 1    | O-Ring                     | 18:1 | 237-22      | 1    | O-Ring                |
| 11:2 | 237-30      | 2    | O-Ring                     | 18:2 | 237-42      | 1    | O-Ring                |
| 12   | 340-139     | 2    | Fitting-Elbow 90           | 20   | 237-166     | 2    | O-Ring                |
| 12:1 | 237-81      | 1    | O-Ring                     |      |             |      |                       |

# Hydraulic Motor Assembly No. 120-8812



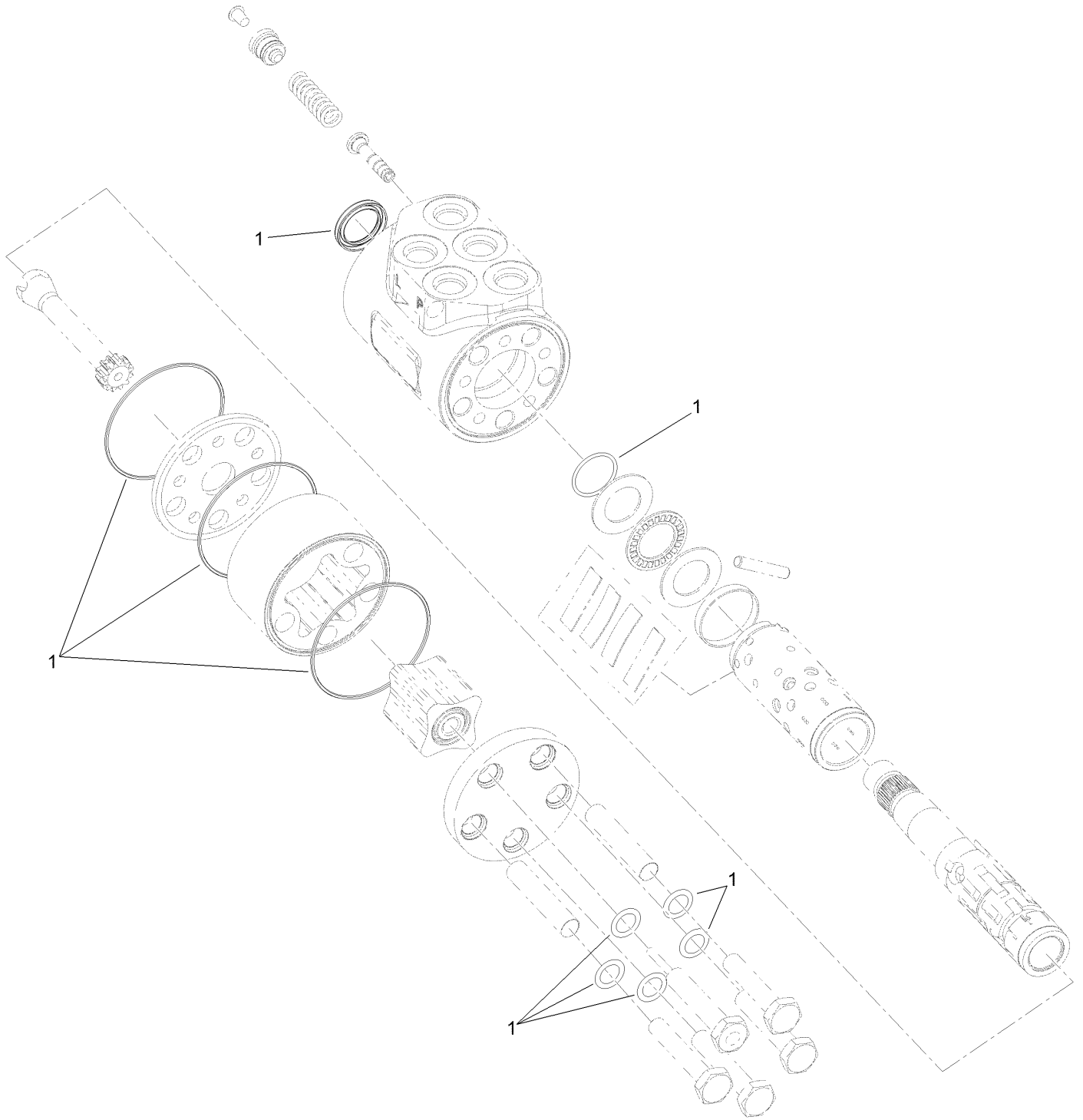
7 = all items with \* are included in overhaul seal kit

# Hydraulic Motor Assembly No. 120-8812 (continued)

| <i>Ref.</i> | <i>Part Number</i> | <i>Qty.</i> | <i>Description</i> |
|-------------|--------------------|-------------|--------------------|
| 1           | 67-9090            | 2           | Plug               |
| 2           | 75-0070            | 3           | Plug               |
| 3           | 107-4352           | 1           | Plug               |
| 4           | 121-1734           | 1           | Plate-Valve        |

| <i>Ref.</i> | <i>Part Number</i> | <i>Qty.</i> | <i>Description</i> |
|-------------|--------------------|-------------|--------------------|
| 5           | 121-1735           | 1           | Cylinder Block Kit |
| 6           | 69-3190            | 1           | Seal-Lip           |
| 7           | 121-1736           | 1           | Overhaul Seal Kit  |

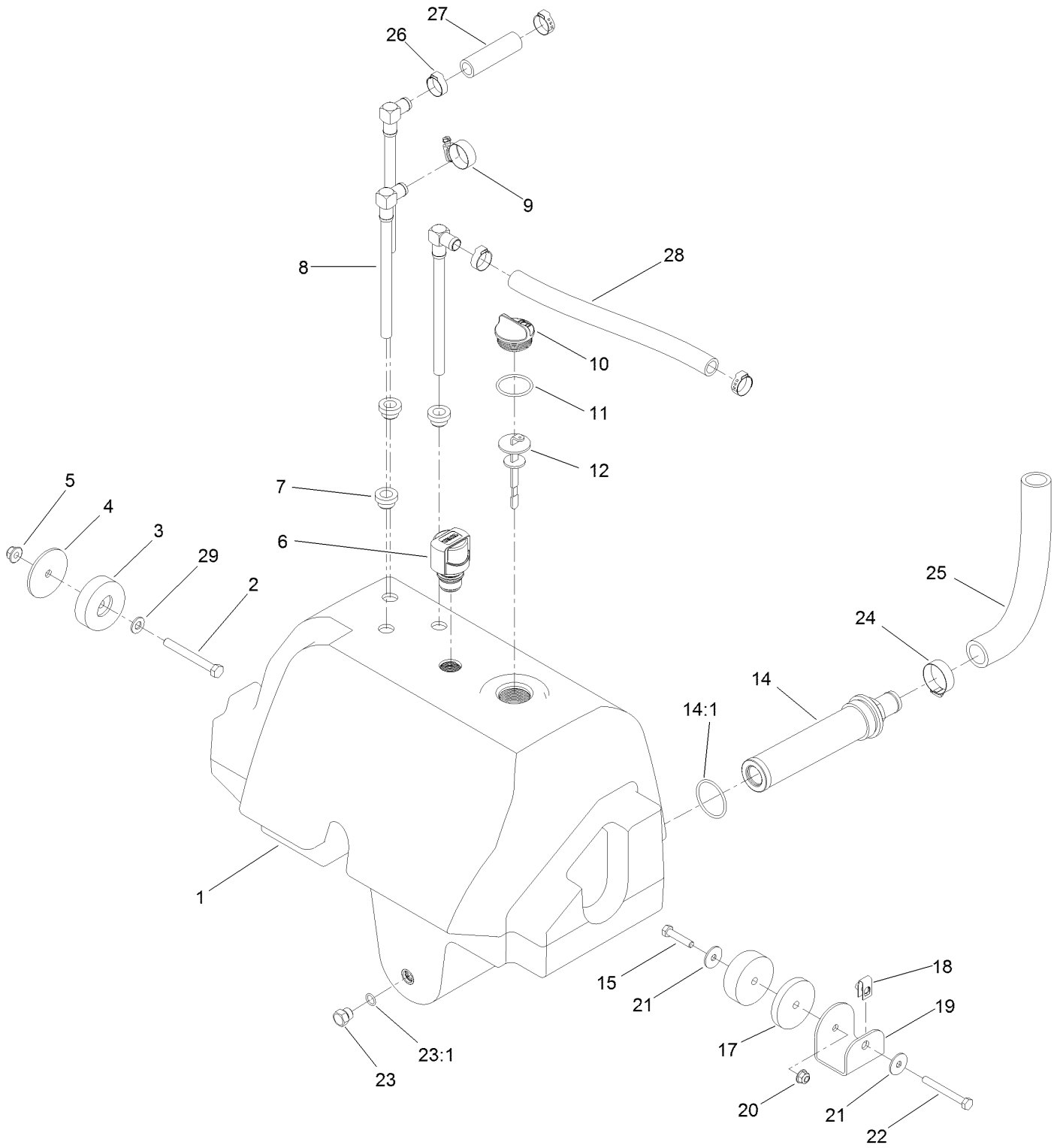
# Steering Valve Assembly No. 132-6256



# Steering Valve Assembly No. 132-6256 (continued)

| <i>Ref.</i> | <i>Part Number</i> | <i>Qty.</i> | <i>Description</i> |
|-------------|--------------------|-------------|--------------------|
| 1           | 106-6716           | 1           | Seal Kit           |

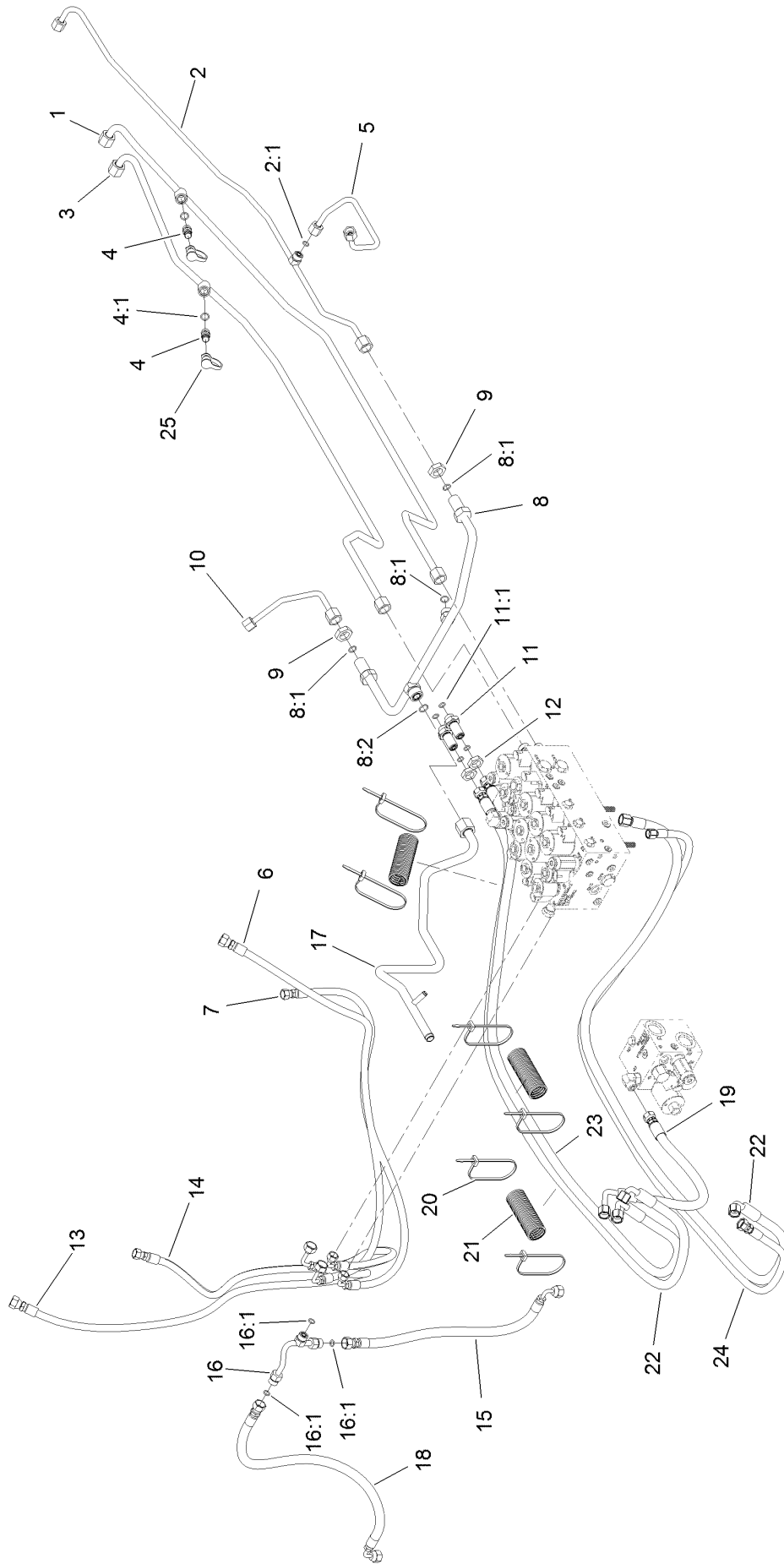
# Hydraulic Reservoir Assembly



## Hydraulic Reservoir Assembly (continued)

| <i>Ref.</i> | <i>Part Number</i> | <i>Qty.</i> | <i>Description</i> | <i>Ref.</i> | <i>Part Number</i> | <i>Qty.</i> | <i>Description</i> |
|-------------|--------------------|-------------|--------------------|-------------|--------------------|-------------|--------------------|
| 1           | 120-9077           | 1           | Reservoir-HYD      | 17          | 121-1533           | 1           | Spacer-Thick       |
| 2           | 323-20             | 1           | Screw-HH           | 18          | 115-7721           | 1           | Nut-Clip, U        |
| 3           | 108-1605           | 2           | Bumper-Recess      | 19          | 121-1557-03        | 1           | Mount-Tank         |
| 4           | 121-1456           | 1           | Spacer-Thin        | 20          | 104-8300           | 1           | Nut-HF, NI         |
| 5           | 104-8301           | 1           | Nut-HF, NI         | 21          | 3256-82            | 2           | Washer-Flat        |
| 6           | 115-9793           | 1           | Breather           | 22          | 322-13             | 1           | Screw-HH           |
| 7           | 104-0790           | 3           | Bushing            | 23          | 353-508            | 1           | Plug-HH            |
| 8           | 114-0002           | 3           | Pipe-Stand         | 23:1        | 237-42             | 1           | O-Ring             |
| 9           | 2412-129           | 1           | Clamp-Hose         | 24          | 2412-34            | 1           | Clamp-Hose         |
| 10          | 93-7498            | 1           | Plug-Plastic       | 25          | 120-8810           | 1           | Hose-Strainer      |
| 11          | 237-101            | 1           | O-Ring             | 26          | 115-5436           | 4           | Clamp-Hose, Crimp  |
| 12          | 112-6365           | 1           | Dipstick           | 27          | 114-4920           | 1           | Hose               |
| 14          | 104-7546           | 1           | Tank Strainer ASM  | 28          | 121-1521           | 1           | Hose               |
| 14:1        | 340-136            | 1           | O-Ring             | 29          | 3256-24            | 1           | Washer-Flat        |
| 15          | 322-7              | 1           | Screw-HH           |             |                    |             |                    |

# Lift, Steer and Fan Hydraulic Assembly

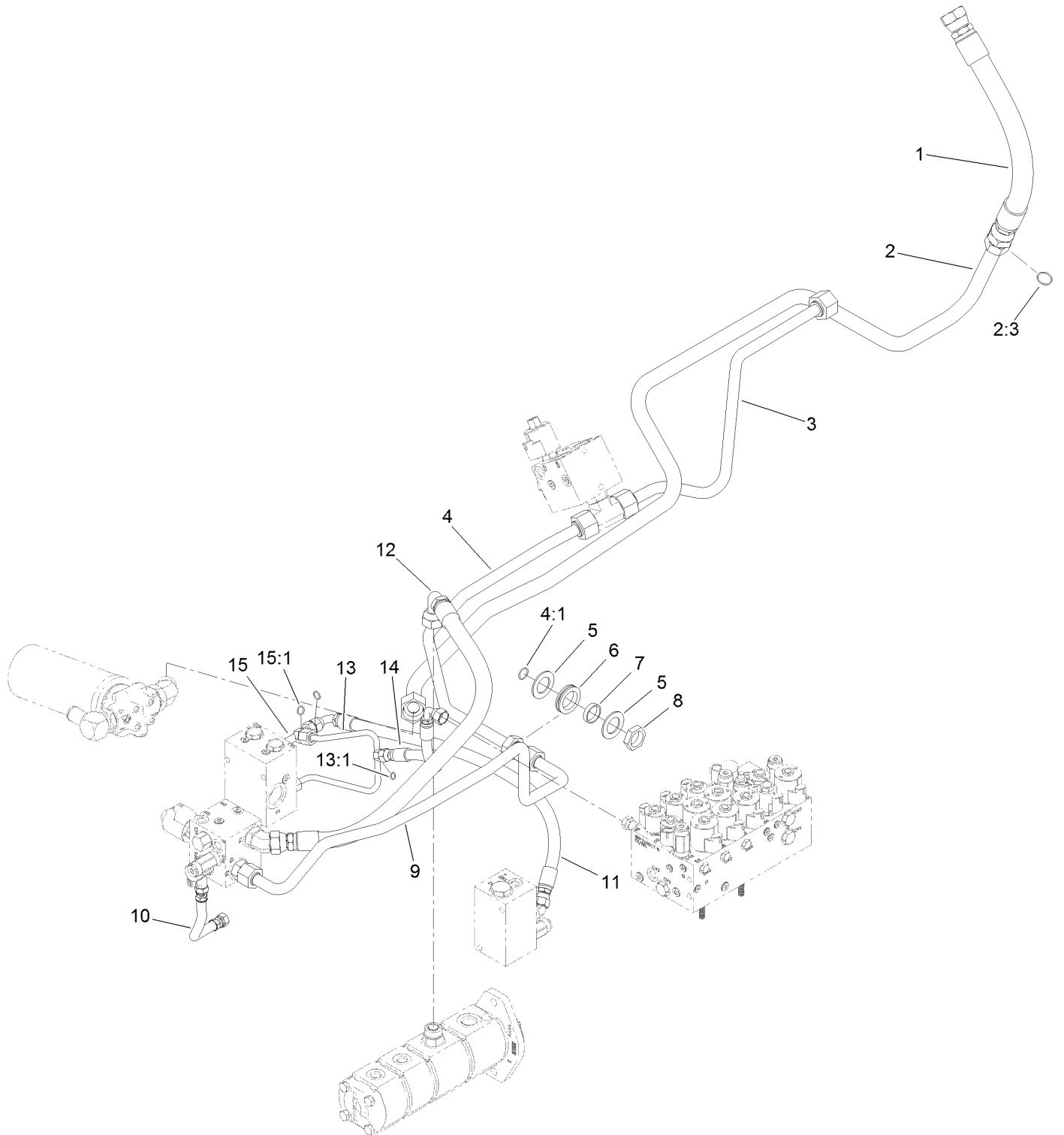




## Lift, Steer and Fan Hydraulic Assembly (continued)

| <i>Ref.</i> | <i>Part Number</i> | <i>Qty.</i> | <i>Description</i>         | <i>Ref.</i> | <i>Part Number</i> | <i>Qty.</i> | <i>Description</i> |
|-------------|--------------------|-------------|----------------------------|-------------|--------------------|-------------|--------------------|
| 1           | 120-9074           | 1           | Tube-Fan                   | 12          | 340-70             | 2           | Nut-Lock           |
| 2           | 120-8966           | 1           | Tube-Drain, Fan            | 13          | 127-3736           | 1           | Hose-HYD           |
| 2:1         | 237-22             | 1           | O-Ring                     | 14          | 100-3833           | 1           | Hose-HYD           |
| 3           | 120-9075           | 1           | Tube-Fan                   | 15          | 121-1567           | 1           | Hose-HYD           |
| 4           | 59-7410            | 2           | Fitting-Diagnostic         | 16          | 121-1565           | 1           | Tube-Tee           |
| 4:1         | 237-42             | 1           | O-Ring                     | 16:1        | 237-22             | 3           | O-Ring             |
| 5           | 132-6145           | 1           | Tube-HYD                   | 17          | 121-1510           | 1           | Tube-HYD           |
| 6           | 127-3737           | 1           | Hose-HYD                   | 18          | 121-1566           | 1           | Hose-HYD           |
| 7           | 127-3738           | 1           | Hose-HYD                   | 19          | 139-0950           | 1           | Hose ASM           |
| 8           | 121-1509           | 1           | Tube-HYD                   | 20          | 3290-378           | 7           | Tie-Cable          |
| 8:1         | 237-30             | 3           | O-Ring                     | 21          | 121-1544           | 3           | Cover-Hose         |
| 8:2         | 237-65             | 1           | O-Ring                     | 22          | 137-5575           | 2           | Hose ASM           |
| 9           | 340-127            | 2           | Nut-Bulkhead               | 23          | 137-5577           | 1           | Hose ASM           |
| 10          | 132-6146           | 1           | Tube-HYD                   | 24          | 137-5576           | 1           | Hose ASM           |
| 11          | 340-71             | 2           | Fitting-Straight, Bulkhead | 25          | 354-79             | 2           | Cap-Dust           |
| 11:1        | 237-22             | 2           | O-Ring                     |             |                    |             |                    |

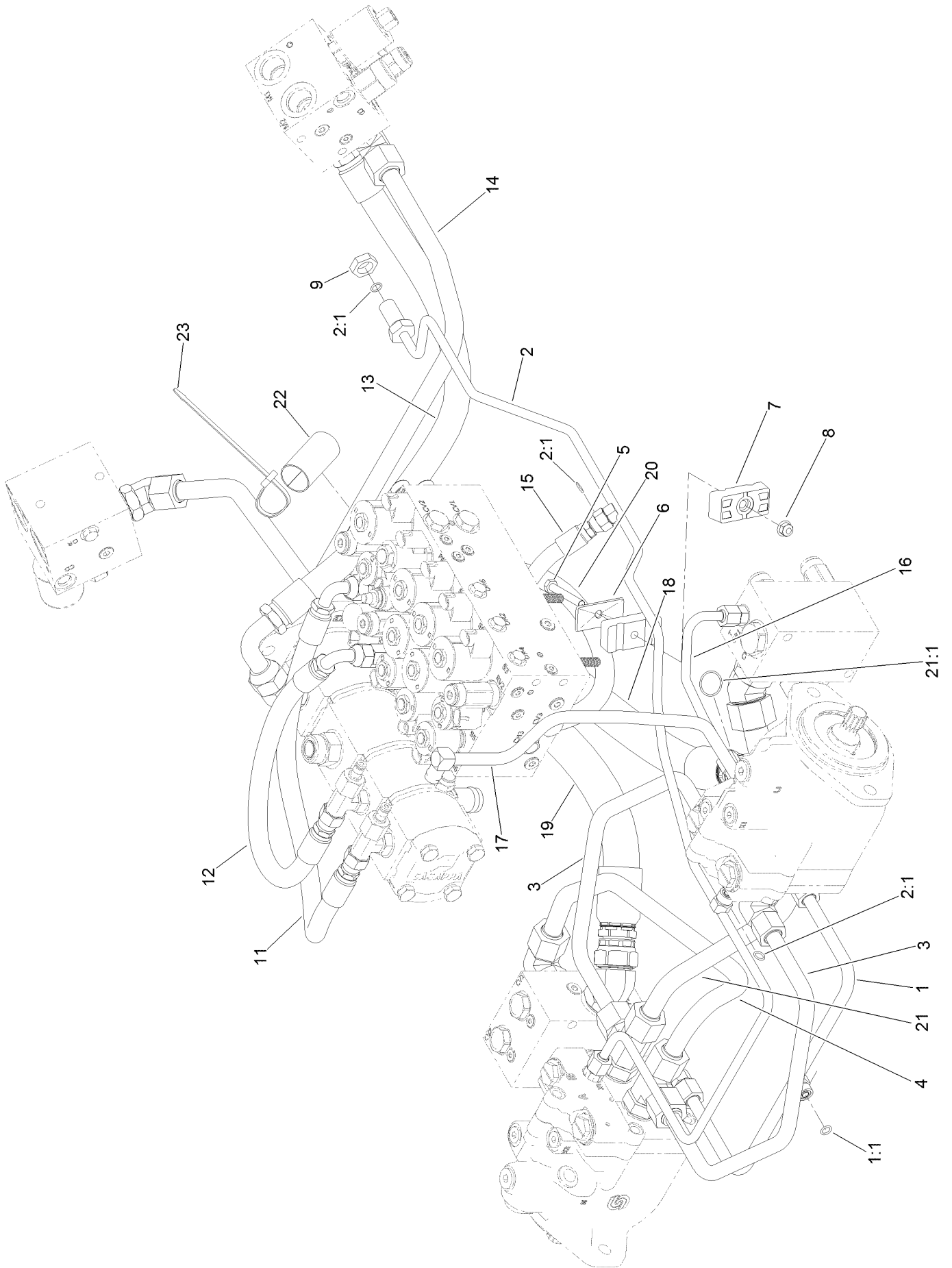
# Oil Cooler Hydraulic Assembly



## Oil Cooler Hydraulic Assembly (continued)

| <i>Ref.</i> | <i>Part Number</i> | <i>Qty.</i> | <i>Description</i> | <i>Ref.</i> | <i>Part Number</i> | <i>Qty.</i> | <i>Description</i>     |
|-------------|--------------------|-------------|--------------------|-------------|--------------------|-------------|------------------------|
| 1           | 120-9060           | 1           | Hose-HYD           | 9           | 120-8838           | 1           | Tube-PTO, Front Return |
| 2           | 121-1612           | 1           | Tube ASM           | 10          | 121-1572           | 1           | Hose-HYD               |
| 2:3         | 340-65             | 1           | O-Ring             | 11          | 121-1559           | 1           | Hose-HYD               |
| 3           | 121-1626           | 1           | Tube-HYD           | 12          | 115-4384           | 1           | Hose-HYD               |
| 4           | 121-1507           | 1           | Tube ASM           | 13          | 121-1584           | 1           | Tube-HYD               |
| 4:1         | 237-58             | 1           | O-Ring             | 13:1        | 237-22             | 1           | O-Ring                 |
| 5           | 69-8910            | 2           | Washer             | 14          | 121-1583           | 1           | Hose-HYD               |
| 6           | 240-7              | 1           | Grommet-Rubber     | 15          | 121-1558           | 1           | Fitting-Tee            |
| 7           | 69-8900            | 1           | Spacer             | 15:1        | 237-30             | 2           | O-Ring                 |
| 8           | 340-126            | 1           | Nut-Bulkhead       |             |                    |             |                        |

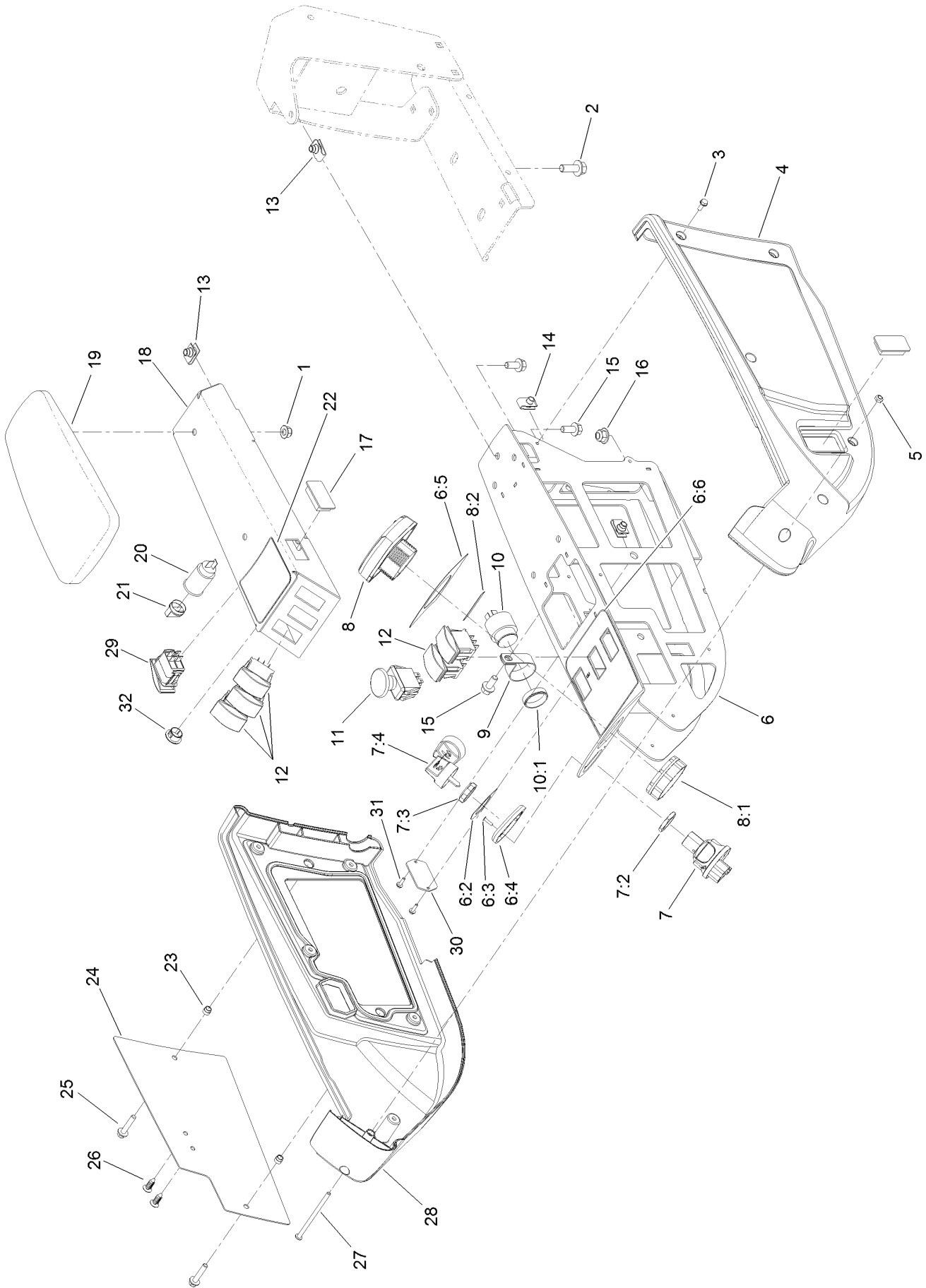
# Traction Hydraulic Assembly



## Traction Hydraulic Assembly (continued)

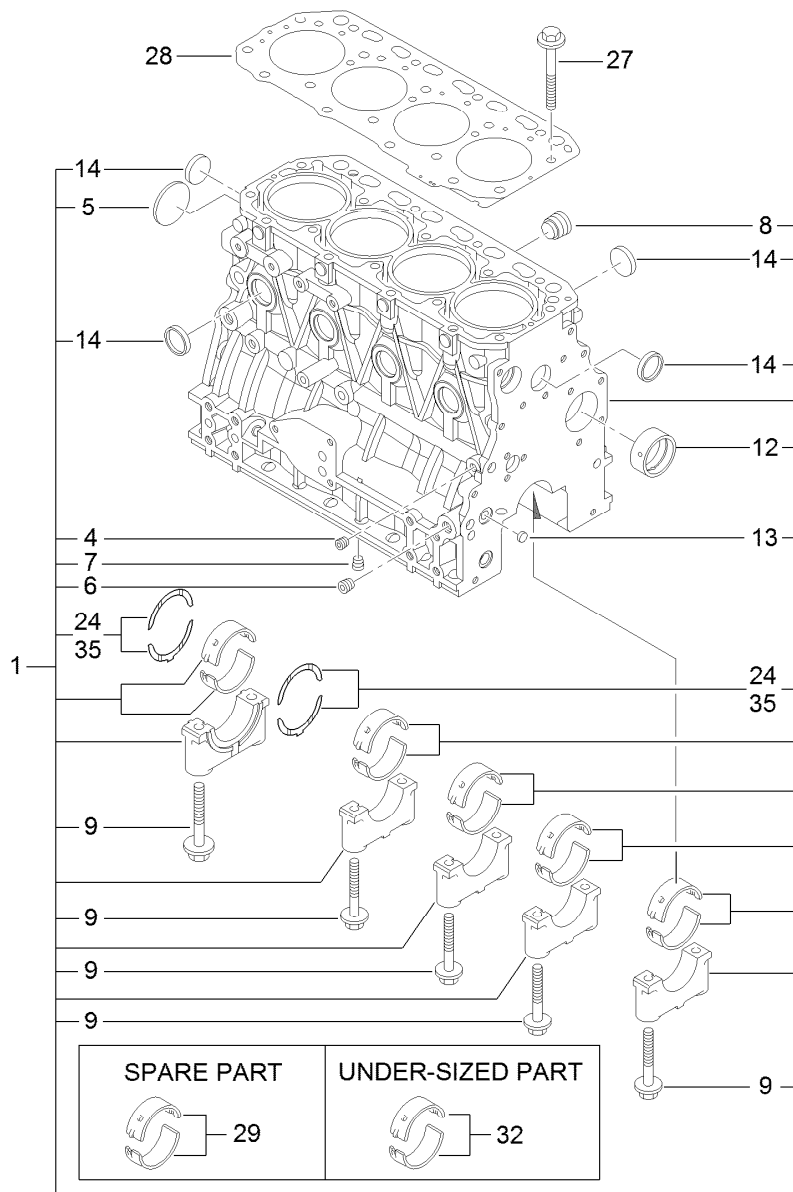
| <i>Ref.</i> | <i>Part Number</i> | <i>Qty.</i> | <i>Description</i> | <i>Ref.</i> | <i>Part Number</i> | <i>Qty.</i> | <i>Description</i> |
|-------------|--------------------|-------------|--------------------|-------------|--------------------|-------------|--------------------|
| 1           | 120-9080           | 1           | Tube ASM           | 13          | 115-4384           | 1           | Hose-HYD           |
| 1:1         | 237-22             | 1           | O-Ring             | 14          | 120-8834           | 1           | Tube-PTO, LH To RH |
| 2           | 121-1552           | 1           | Tube ASM           | 15          | 104-2234           | 1           | Hose-HYD           |
| 2:1         | 237-22             | 3           | O-Ring             | 16          | 121-1480           | 1           | Tube-HYD           |
| 3           | 120-9079           | 2           | Tube-HYD           | 17          | 120-8961           | 1           | Tube-Return, Front |
| 4           | 121-1546           | 1           | Tube-HYD           | 18          | 132-6142           | 1           | Hose-HYD           |
| 5           | 322-11             | 1           | Screw-HH           | 19          | 132-6141           | 1           | Hose-HYD           |
| 6           | 69-9761            | 1           | Plate-Cover        | 20          | 132-6241           | 1           | Hose-HYD           |
| 7           | 120-3200           | 2           | Clamp-Tube         | 21          | 121-1581           | 1           | Tube-Tee           |
| 8           | 104-8300           | 1           | Nut-HF, NI         | 21:1        | 340-65             | 1           | O-Ring             |
| 9           | 340-70             | 1           | Nut-Lock           | 22          | AU112950           | 1           | Protector-Hose     |
| 11          | 104-2807           | 1           | Hose-HYD           | 23          | 3290-378           | 3           | Tie-Cable          |
| 12          | 104-4584           | 1           | Hose-HYD           |             |                    |             |                    |

# Armrest Control Panel Assembly



## Armrest Control Panel Assembly (continued)

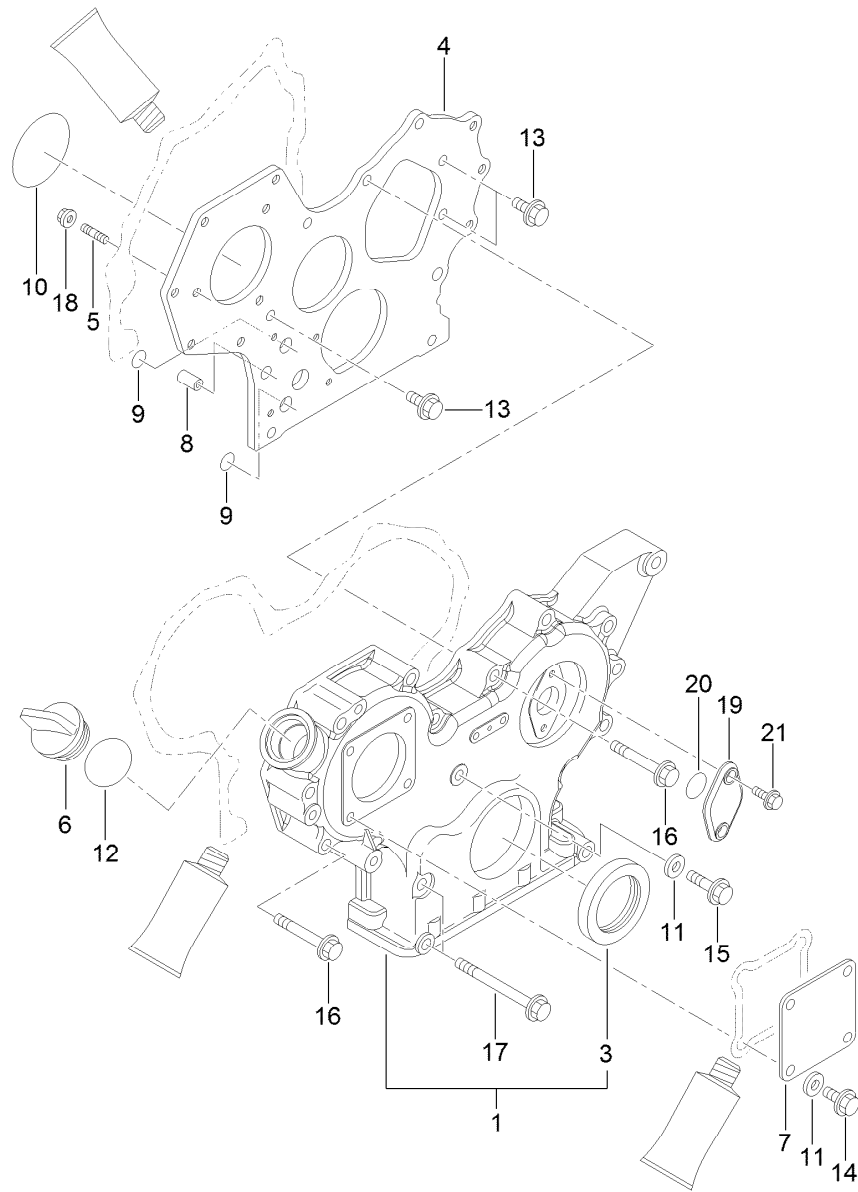
| <i>Ref.</i> | <i>Part Number</i> | <i>Qty.</i> | <i>Description</i>     | <i>Ref.</i> | <i>Part Number</i> | <i>Qty.</i> | <i>Description</i>              |
|-------------|--------------------|-------------|------------------------|-------------|--------------------|-------------|---------------------------------|
| 1           | 104-8300           | 2           | Nut-HF, NI             | 12          | 100-1535           | 5           | Switch-Rocker,<br>(On)-Off-(On) |
| 2           | 3234-42            | 2           | Screw-HHF              | 13          | 94-2413            | 6           | Nut-U                           |
| 3           | 32144-112          | 10          | Screw-HWH              | 14          | 107069             | 2           | Clip                            |
| 4           | 108-7604           | 1           | Cover-LH               | 15          | 3234-5             | 6           | Screw-HHF                       |
| 5           | 3296-12            | 1           | Nut-Lock, NI           | 16          | 104-8301           | 2           | Nut-HF, NI                      |
| 6           | 120-4155           | 1           | Panel ASM              | 17          | 99-7420            | 2           | Plug-Hole                       |
| 6:2         | 121-3884           | 1           | Decal-Console, Upper   | 18          | 136-4389-03        | 1           | Panel-Control                   |
| 6:3         | 3269-17            | 2           | Rivet-Pop              | 19          | 108-7602           | 1           | Rest-Arm                        |
| 6:4         | 121-3889           | 1           | Step-Elevated, Switch  | 20          | 99-7411            | 1           | Point-Power                     |
| 6:5         | 121-3887           | 1           | Decal-Console, Display | 21          | 99-7416            | 1           | Cap                             |
| 6:6         | 120-4159           | 1           | Decal-Console, Lower   | 22          | 127-3700           | 1           | Decal-Lift                      |
| 7           | 121-5159           | 1           | Ignition Switch ASM    | 23          | 110-0542           | 2           | Spacer-Flange                   |
| 7:2         | 121-5160           | 1           | Nut-Hex                | 24          | 115-8849-03        | 1           | Plate-Cover                     |
| 7:3         | 121-5161           | 1           | Nut-Face               | 25          | 3234-21            | 2           | Screw-HHF                       |
| 7:4         | 121-5162           | 1           | Set-Key, Ignition      | 26          | 114-4899           | 2           | Rivet-Push                      |
| 8           | 120-6310           | 1           | LCD Display ASM        | 27          | 3250-22            | 1           | Screw-PPH                       |
| 8:1         | 120-4630           | 1           | Nut-Display            | 28          | 108-7605           | 1           | Cover-RH                        |
| 8:2         | 120-6311           | 1           | Decal-Display          | 29          | 114-3329           | 1           | Switch-Rocker                   |
| 9           | 2412-74            | 1           | R-Clamp                | 30          | 121-1630           | 1           | Plate-Cover                     |
| 10          | 80-9330            | 1           | Audio Alarm ASM        | 31          | 32144-18           | 2           | Screw-HWH                       |
| 10:1        | 104-5107           | 1           | Nut-Plastic, Knurled   | 32          | 94-5627            | 1           | Plug                            |
| 11          | 93-9999            | 1           | Switch-PTO             |             |                    |             |                                 |



## Cylinder Block Assembly

| <i>Ref.</i> | <i>Part Number</i> | <i>Qty.</i> | <i>Description</i> | <i>Ref.</i> | <i>Part Number</i> | <i>Qty.</i> | <i>Description</i>  |
|-------------|--------------------|-------------|--------------------|-------------|--------------------|-------------|---------------------|
| 1           | 125-7244           | 1           | Cylinder Block ASM | 13          | 125-7237           | 2           | Plug                |
| 4           | 125-6969           | 1           | Plug               | 14          | 125-7239           | 8           | Plug                |
| 5           | 125-6980           | 1           | Plug               | 24          | 125-7010           | 2           | Metal-Thrust        |
| 6           | 125-6973           | 1           | Plug               | 27          | 125-7006           | 18          | Bolt                |
| 7           | 125-6973           | 1           | Plug               | 28          | 125-7049           | 1           | Gasket-Head         |
| 8           | 125-7170           | 1           | Plug               | 29          | 125-6981           | 5           | Metal-Main          |
| 9           | 125-7007           | 10          | Bolt               | 32          | 125-7009           | 5           | Metal-Main (0.25)   |
| 12          | 125-7108           | 1           | Bushing            | 35          | 125-7011           | 1           | Metal-Thrust (0.25) |

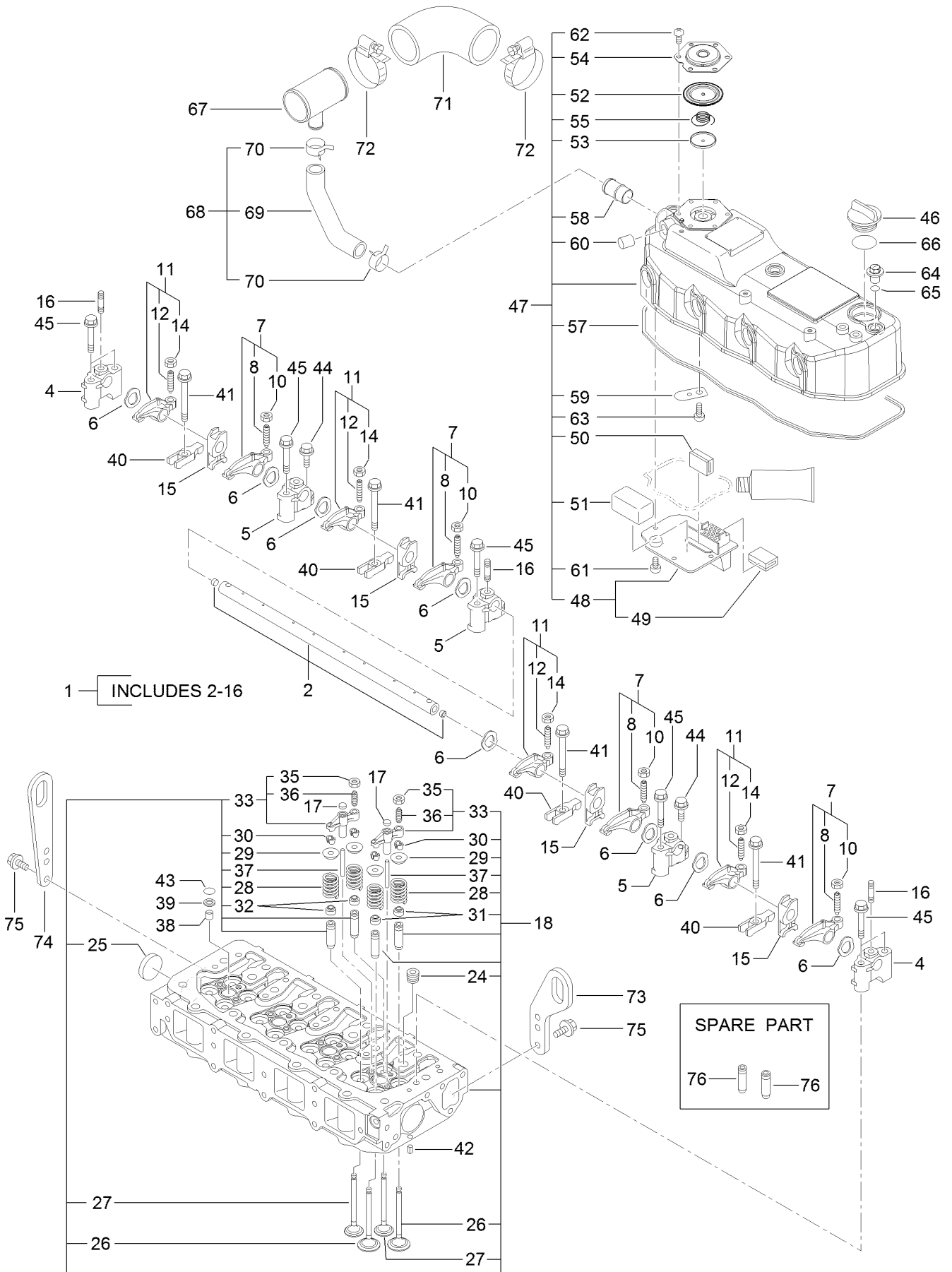




## Gear Housing Assembly

| <i>Ref.</i> | <i>Part Number</i> | <i>Qty.</i> | <i>Description</i> | <i>Ref.</i> | <i>Part Number</i> | <i>Qty.</i> | <i>Description</i> |
|-------------|--------------------|-------------|--------------------|-------------|--------------------|-------------|--------------------|
| 1           | 125-7247           | 1           | Case ASM           | 12          | 125-7197           | 1           | O-Ring             |
| 3           | 125-6944           | 1           | Seal-Oil           | 13          | 125-7214           | 3           | Bolt               |
| 4           | 125-6936           | 1           | Flange             | 14          | 125-7214           | 4           | Bolt               |
| 5           | 125-6919           | 3           | Stud               | 15          | 125-7216           | 1           | Bolt               |
| 6           | 125-6972           | 1           | Cover-Filler       | 16          | 125-7221           | 12          | Bolt               |
| 7           | 125-6977           | 1           | Cover              | 17          | 125-7224           | 3           | Bolt               |
| 8           | 125-7107           | 2           | Pipe               | 18          | 125-7229           | 3           | Nut                |
| 9           | 125-6909           | 2           | O-Ring             | 19          | 125-6950           | 1           | Cover              |
| 10          | 125-6957           | 1           | O-Ring             | 20          | 125-7199           | 1           | O-Ring             |
| 11          | 125-7174           | 5           | Washer-Seal        | 21          | 125-7208           | 2           | Bolt               |

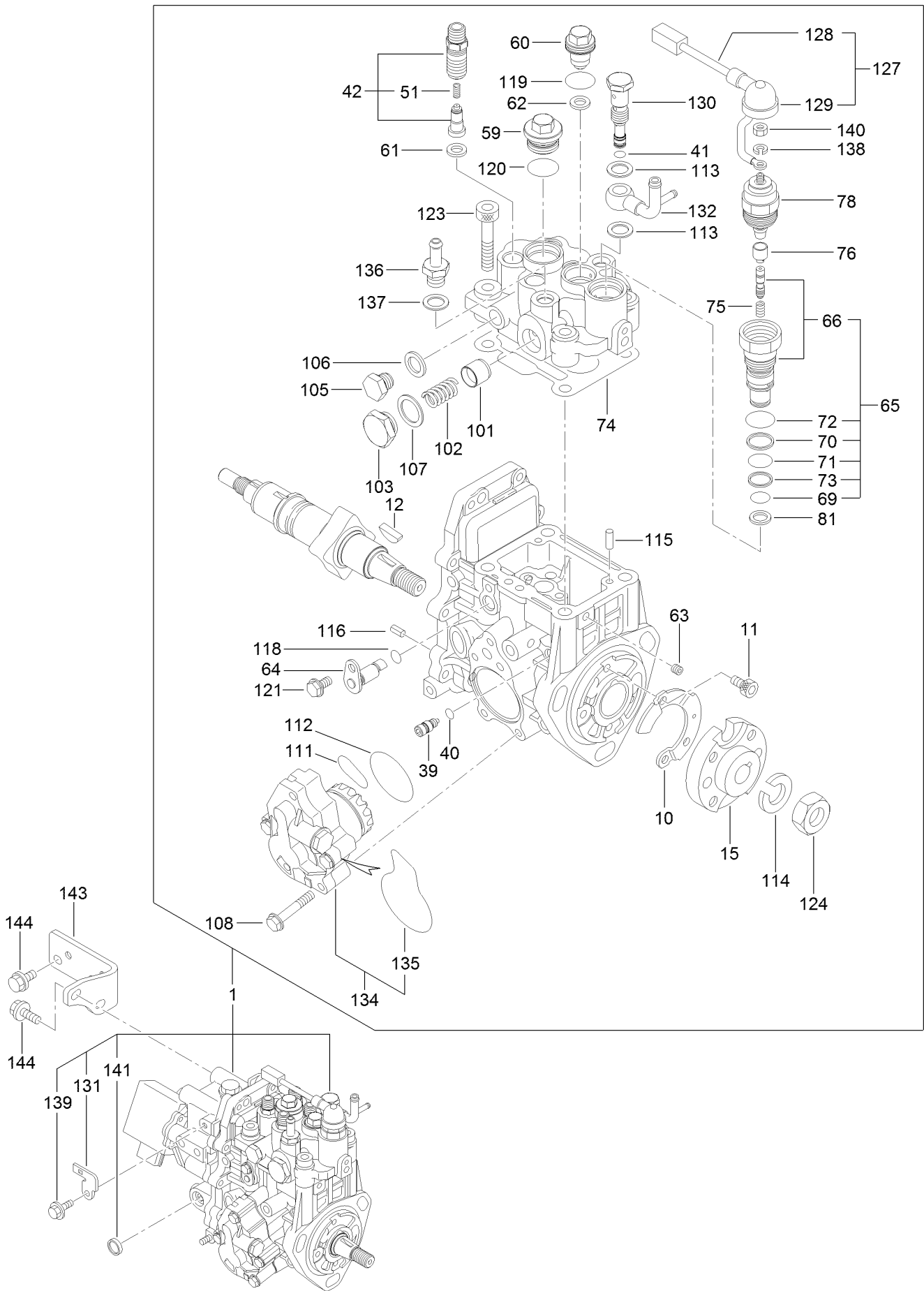
# Cylinder Head and Bonnet Assembly



## Cylinder Head and Bonnet Assembly (continued)

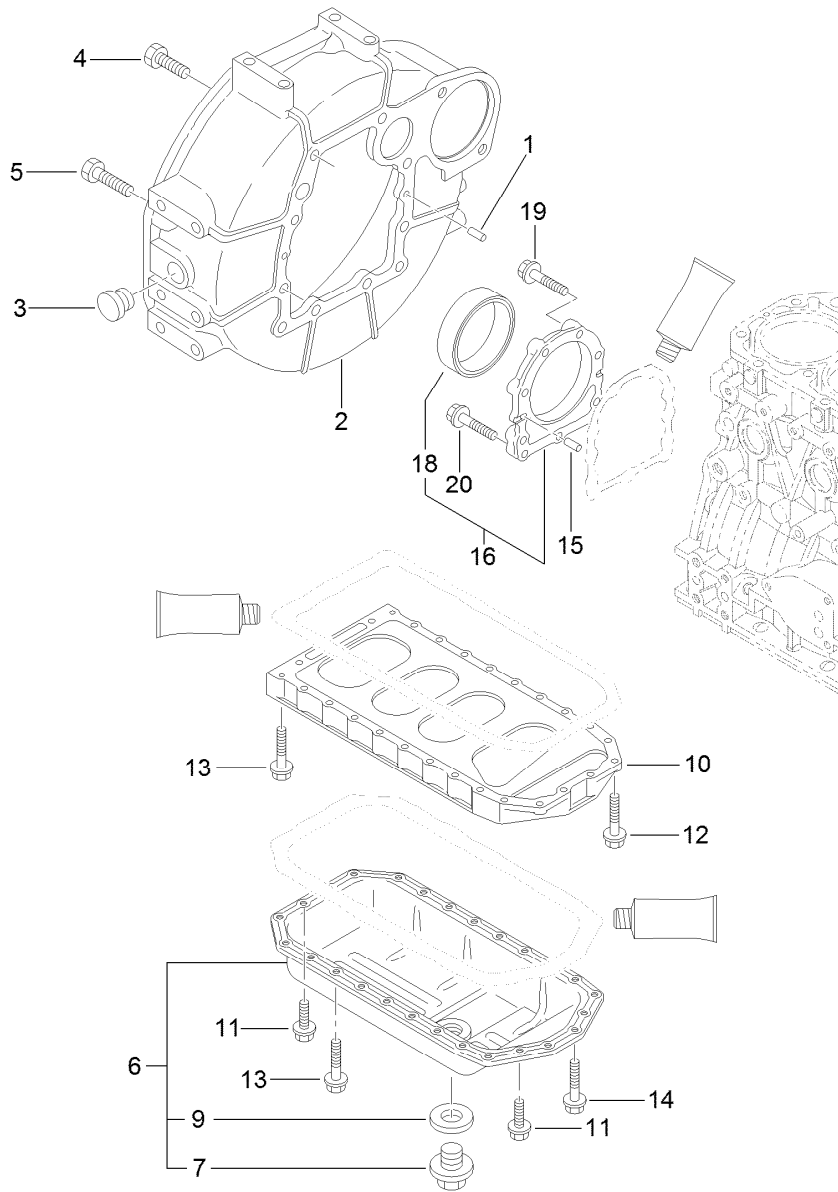
| <i>Ref.</i> | <i>Part Number</i> | <i>Qty.</i> | <i>Description</i>  | <i>Ref.</i> | <i>Part Number</i> | <i>Qty.</i> | <i>Description</i> |
|-------------|--------------------|-------------|---------------------|-------------|--------------------|-------------|--------------------|
| 1           | 125-7055           | 1           | Shaft ASM           | 43          | 93-0418            | 4           | O-Ring             |
| 2           | 125-7056           | 1           | Shaft               | 44          | 125-7215           | 3           | Bolt               |
| 4           | 125-7057           | 2           | Support             | 45          | 125-7220           | 7           | Bolt               |
| 5           | 125-7058           | 3           | Support             | 46          | 125-6972           | 1           | Cover-Filler       |
| 6           | 125-7059           | 8           | Washer              | 47          | 125-7099           | 1           | Bonnet ASM         |
| 7           | 125-7061           | 4           | Arm-Rocker          | 48          | 125-7050           | 1           | Plate              |
| 8           | 125-7013           | 4           | Screw-Adjust, Valve | 49          | 125-6920           | 1           | Baffle             |
| 10          | 125-7014           | 4           | Nut                 | 50          | 125-7012           | 1           | Baffle             |
| 11          | 125-7062           | 4           | Arm-Rocker          | 51          | 125-7118           | 1           | Baffle-Breather    |
| 12          | 125-7013           | 4           | Screw-Adjust, Valve | 52          | 125-6959           | 1           | Diaphragm          |
| 14          | 125-7014           | 4           | Nut                 | 53          | 125-6960           | 1           | Plate              |
| 15          | 125-7593           | 1           | Retainer            | 54          | 125-6961           | 1           | Plate-Breather     |
| 16          | 125-7228           | 3           | Stud                | 55          | 125-6962           | 1           | Spring-Diaphragm   |
| 17          | 125-6963           | 8           | Seat-Bridge, Valve  | 57          | 125-7060           | 1           | Gasket             |
| 18          | 125-7089           | 1           | Cylinder Head ASM   | 58          | 125-6982           | 1           | Pipe               |
| 24          | 125-7196           | 4           | Plug                | 59          | 125-6994           | 1           | Spring             |
| 25          | 125-7240           | 2           | Plug                | 60          | 125-6913           | 1           | Plug               |
| 26          | 125-7051           | 8           | Valve               | 61          | 125-7186           | 4           | Screw              |
| 27          | 125-7052           | 8           | Valve               | 62          | 125-7186           | 6           | Screw              |
| 28          | 125-7053           | 16          | Spring              | 63          | 125-7186           | 1           | Screw              |
| 29          | 125-7054           | 16          | Retainer            | 64          | 125-6974           | 3           | Knob               |
| 30          | 125-6914           | 32          | Cotter              | 65          | 93-0418            | 3           | O-Ring             |
| 31          | 125-6915           | 8           | Seal-Stem, Valve    | 66          | 125-7197           | 1           | O-Ring             |
| 32          | 125-6916           | 8           | Seal-Stem, Valve    | 67          | 125-7086           | 1           | Joint              |
| 33          | 125-7104           | 8           | Bridge ASM          | 68          | 125-7087           | 1           | Hose ASM           |
| 35          | 125-7014           | 8           | Nut                 | 69          | 125-7088           | 1           | Hose               |
| 36          | 125-6965           | 8           | Adjuster            | 70          | 125-7040           | 2           | Clip-Hose          |
| 37          | 125-7063           | 8           | Guide               | 71          | 125-7090           | 1           | Hose               |
| 38          | 125-6921           | 4           | Protector           | 72          | 125-7190           | 2           | Clamp-Hose         |
| 39          | 125-6911           | 4           | Seat-Valve          | 73          | 125-7046           | 1           | Lifter             |
| 40          | 125-7064           | 4           | Retainer            | 74          | 125-7111           | 1           | Lifter             |
| 41          | 125-7119           | 4           | Bolt                | 75          | 125-7214           | 4           | Bolt               |
| 42          | 125-7184           | 2           | Pin-Spring          | 76          | 125-6917           | 16          | Guide              |

# Fuel Injection Pump Assembly



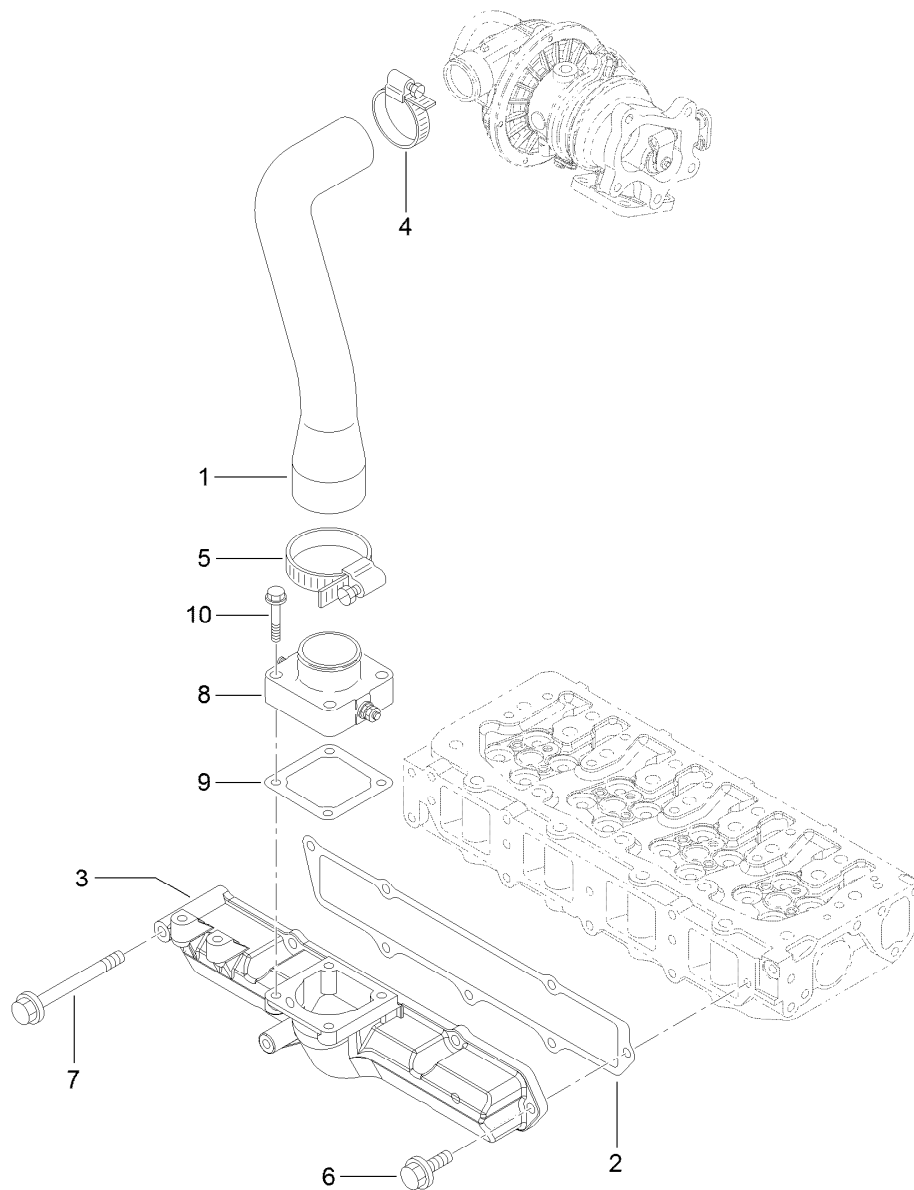
## Fuel Injection Pump Assembly (continued)

| <i>Ref.</i> | <i>Part Number</i> | <i>Qty.</i> | <i>Description</i> | <i>Ref.</i> | <i>Part Number</i> | <i>Qty.</i> | <i>Description</i> |
|-------------|--------------------|-------------|--------------------|-------------|--------------------|-------------|--------------------|
| 1           | 125-7246           | 1           | Fie ASM            | 106         | 125-7176           | 1           | Washer-Seal        |
| 10          | 125-6991           | 1           | Cover              | 107         | 125-7591           | 1           | Washer-Seal        |
| 11          | 125-6992           | 2           | Bolt               | 108         | 125-7147           | 4           | Bolt               |
| 12          | 125-6932           | 1           | Key                | 111         | 125-7142           | 1           | O-Ring             |
| 15          | 125-7135           | 1           | Flange             | 112         | 125-7143           | 1           | O-Ring             |
| 39          | 125-7156           | 1           | Stopper            | 113         | 125-7176           | 2           | Washer-Seal        |
| 40          | 125-7154           | 1           | O-Ring             | 114         | 125-7179           | 1           | Washer-Spring      |
| 41          | 125-7154           | 1           | O-Ring             | 115         | 125-7181           | 2           | Pin-Parallel       |
| 42          | 125-7092           | 4           | Valve ASM          | 116         | 125-7183           | 2           | Pin-Spring         |
| 51          | 125-7155           | 4           | Spring             | 118         | 93-0400            | 1           | O-Ring             |
| 59          | 125-7157           | 1           | Plug               | 119         | 125-7201           | 1           | O-Ring             |
| 60          | 125-6933           | 1           | Plug               | 120         | 125-7202           | 1           | O-Ring             |
| 61          | 125-7136           | 4           | Gasket             | 121         | 125-7205           | 1           | Bolt               |
| 62          | 125-7136           | 1           | Gasket             | 123         | 125-7233           | 4           | Bolt               |
| 63          | 125-7151           | 1           | Plug               | 124         | 125-7236           | 1           | Nut                |
| 64          | 125-7137           | 1           | Lifter             | 127         | 125-7125           | 1           | Harness ASM        |
| 65          | 125-7102           | 1           | Timer Set          | 128         | 125-7126           | 1           | Harness            |
| 66          | 125-7103           | 1           | Timer ASM          | 129         | 125-7033           | 1           | Cap                |
| 69          | 125-7145           | 1           | O-Ring             | 130         | 125-7158           | 1           | Joint              |
| 70          | 125-6934           | 1           | Ring               | 131         | 125-7127           | 1           | Bracket            |
| 71          | 125-6935           | 1           | O-Ring             | 132         | 125-7139           | 1           | Joint              |
| 72          | 125-7202           | 1           | O-Ring             | 134         | 125-7141           | 1           | Feed Pump ASM      |
| 73          | 125-7203           | 1           | Ring-Back Up       | 135         | 125-7144           | 1           | O-Ring             |
| 74          | 125-7138           | 1           | Gasket             | 136         | 125-6945           | 1           | Joint              |
| 75          | 125-6940           | 1           | Spring             | 137         | 125-7176           | 1           | Washer-Seal        |
| 76          | 125-6941           | 1           | Cap                | 138         | 125-7178           | 1           | Washer-Spring      |
| 78          | 125-6942           | 1           | Solenoid Valve ASM | 139         | 125-7207           | 1           | Bolt               |
| 81          | 125-7146           | 1           | Gasket             | 140         | 125-7235           | 1           | Nut                |
| 101         | 125-7159           | 1           | Piston             | 141         | 125-7238           | 1           | Plug               |
| 102         | 125-7140           | 1           | Spring             | 143         | 125-7032           | 1           | Retainer           |
| 103         | 125-7160           | 1           | Plug               | 144         | 125-7214           | 4           | Bolt               |
| 105         | 125-7148           | 1           | Plug               |             |                    |             |                    |



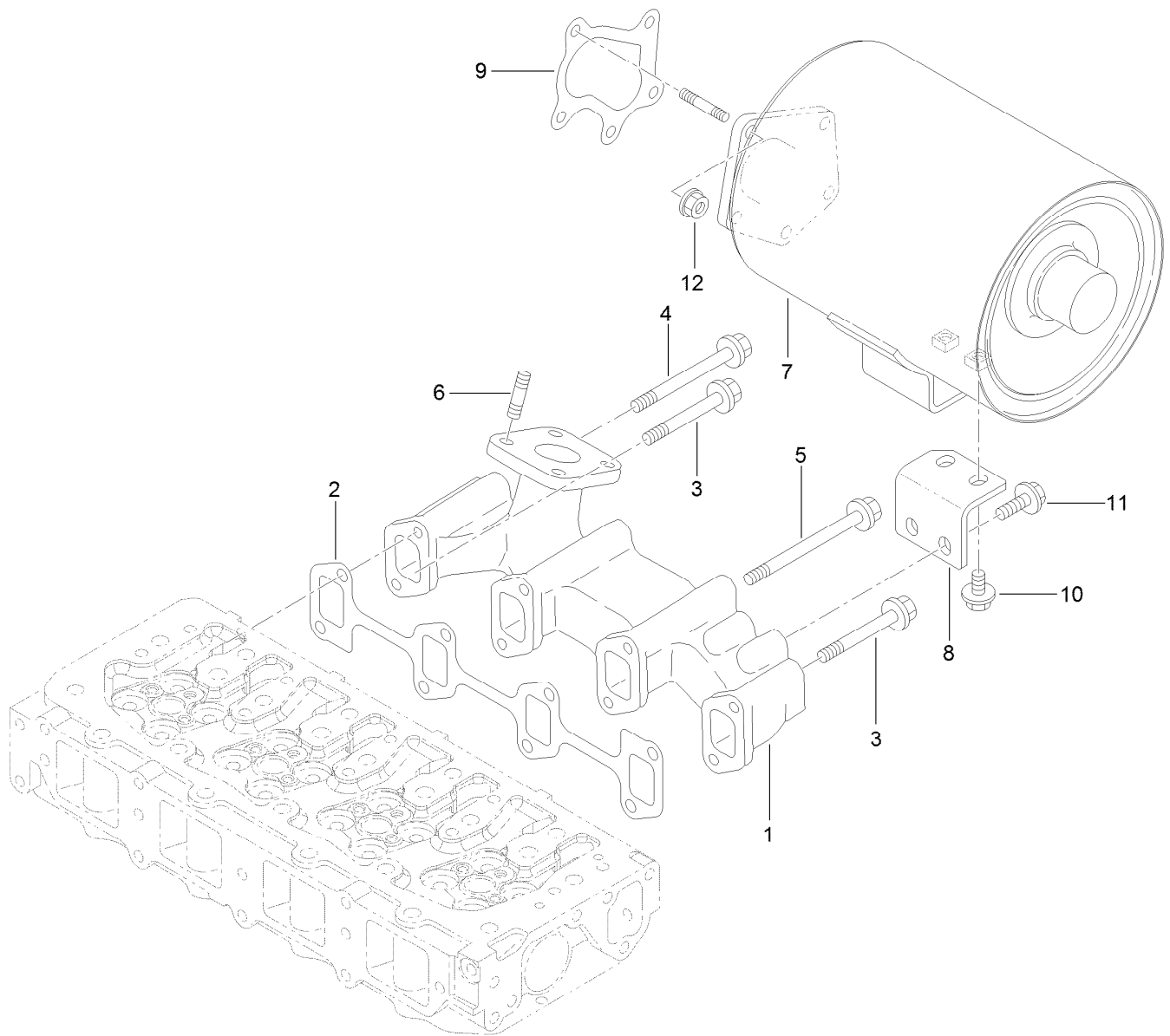
## Flywheel Housing and Oil Sump Assembly

| <i>Ref.</i> | <i>Part Number</i> | <i>Qty.</i> | <i>Description</i> | <i>Ref.</i> | <i>Part Number</i> | <i>Qty.</i> | <i>Description</i> |
|-------------|--------------------|-------------|--------------------|-------------|--------------------|-------------|--------------------|
| 1           | 125-6995           | 2           | Pin                | 11          | 125-7214           | 4           | Bolt               |
| 2           | 125-7100           | 1           | Housing            | 12          | 125-7215           | 2           | Bolt               |
| 3           | 125-6910           | 1           | Cap                | 13          | 125-7219           | 20          | Bolt               |
| 4           | 125-7226           | 6           | Bolt               | 14          | 125-7220           | 4           | Bolt               |
| 5           | 125-7227           | 4           | Bolt               | 15          | 125-6995           | 2           | Pin                |
| 6           | 125-7241           | 1           | Oil Sump ASM       | 16          | 125-6996           | 1           | Case ASM           |
| 7           | 125-6912           | 1           | Plug-Drain         | 18          | 125-7106           | 1           | Seal-Oil           |
| 9           | 125-7177           | 1           | Washer-Seal        | 19          | 125-7045           | 6           | Bolt               |
| 10          | 125-7035           | 1           | Spacer             | 20          | 125-7217           | 3           | Bolt               |



## Suction Manifold Assembly

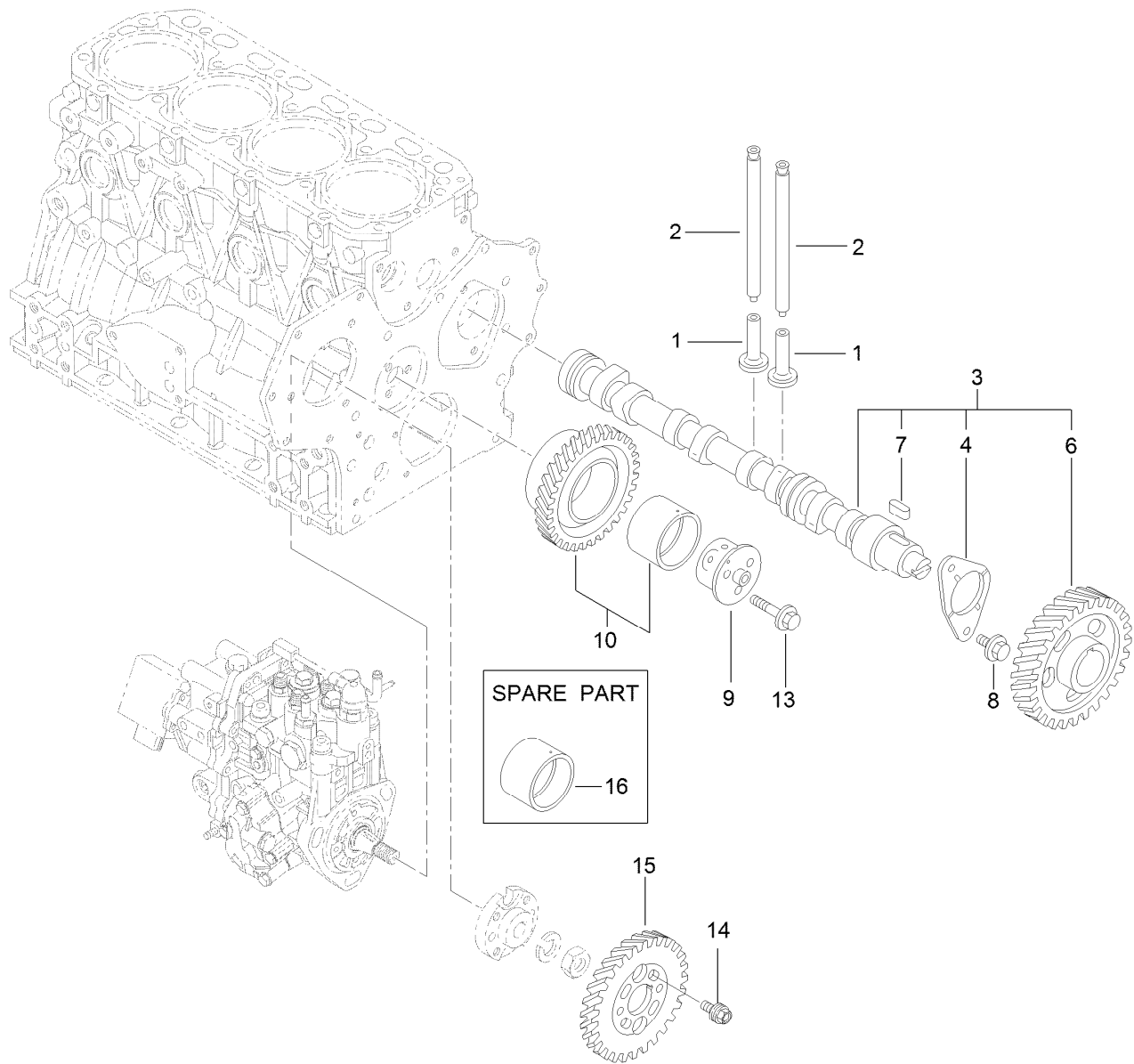
| <i>Ref.</i> | <i>Part Number</i> | <i>Qty.</i> | <i>Description</i> |
|-------------|--------------------|-------------|--------------------|
| 1           | 125-7065           | 1           | Pipe               |
| 2           | 125-7066           | 1           | Gasket             |
| 3           | 125-7067           | 1           | Manifold-Intake    |
| 4           | 125-7189           | 1           | Clamp-Hose         |
| 5           | 125-7190           | 1           | Clamp-Hose         |
| 6           | 125-7595           | 6           | Bolt               |
| 7           | 125-7223           | 1           | Bolt               |
| 8           | 125-7002           | 1           | Heater             |
| 9           | 125-7028           | 1           | Gasket             |
| 10          | 125-7217           | 4           | Bolt               |



## Exhaust Manifold and Silencer Assembly

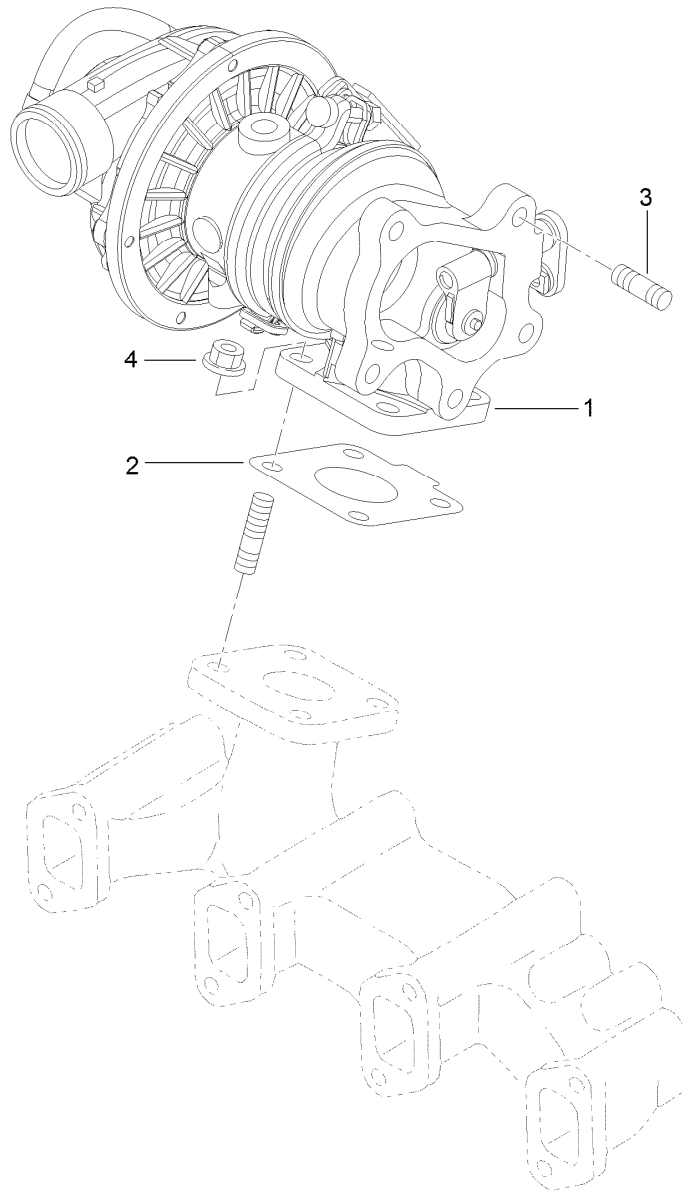
| <i>Ref.</i> | <i>Part Number</i> | <i>Qty.</i> | <i>Description</i> |
|-------------|--------------------|-------------|--------------------|
| 1           | 125-7093           | 1           | Manifold-Exhaust   |
| 2           | 125-7096           | 1           | Gasket             |
| 3           | 125-6922           | 3           | Bolt               |
| 4           | 125-6923           | 1           | Bolt               |
| 5           | 125-6924           | 4           | Bolt               |
| 6           | 125-6906           | 4           | Stud               |
| 7           | 125-7094           | 1           | Silencer           |
| 8           | 125-7095           | 1           | Support-Silencer   |
| 9           | 125-7071           | 1           | Gasket             |
| 10          | 125-7213           | 2           | Bolt               |
| 11          | 125-7595           | 2           | Bolt               |
| 12          | 125-7229           | 5           | Nut                |





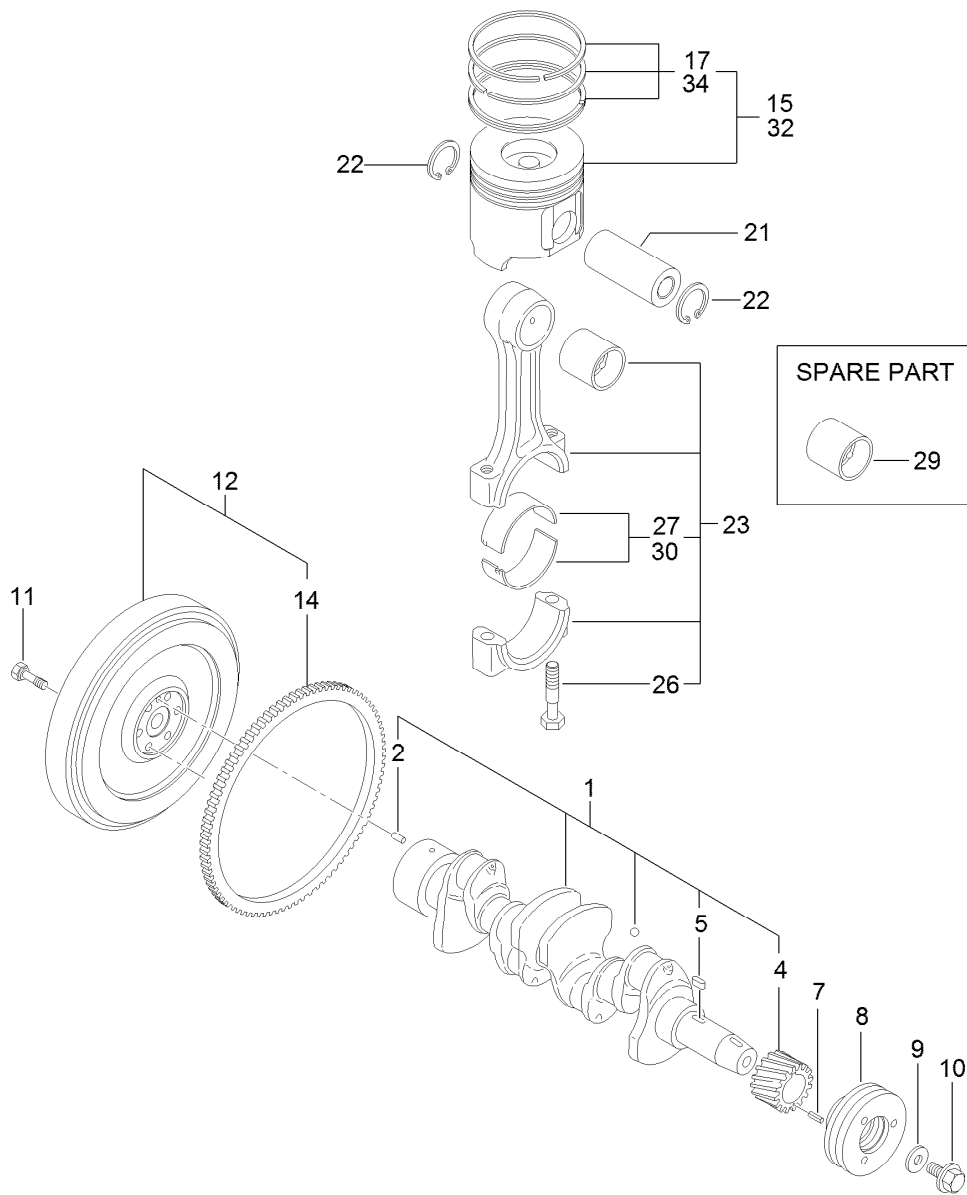
## Camshaft and Driving Gear Assembly

| Ref. | Part Number | Qty. | Description  |
|------|-------------|------|--------------|
| 1    | 125-7016    | 8    | Tappet       |
| 2    | 125-7017    | 8    | Rod-Push     |
| 3    | 125-7068    | 1    | Camshaft ASM |
| 4    | 125-7008    | 1    | Metal-Thrust |
| 6    | 125-7015    | 1    | Gear         |
| 7    | 125-7185    | 1    | Key          |
| 8    | 125-7213    | 2    | Bolt         |
| 9    | 125-6938    | 1    | Shaft        |
| 10   | 125-6928    | 1    | Gear ASM     |
| 13   | 125-7218    | 3    | Bolt         |
| 14   | 125-7020    | 4    | Bolt         |
| 15   | 125-6929    | 1    | Gear         |
| 16   | 125-6927    | 1    | Bushing      |



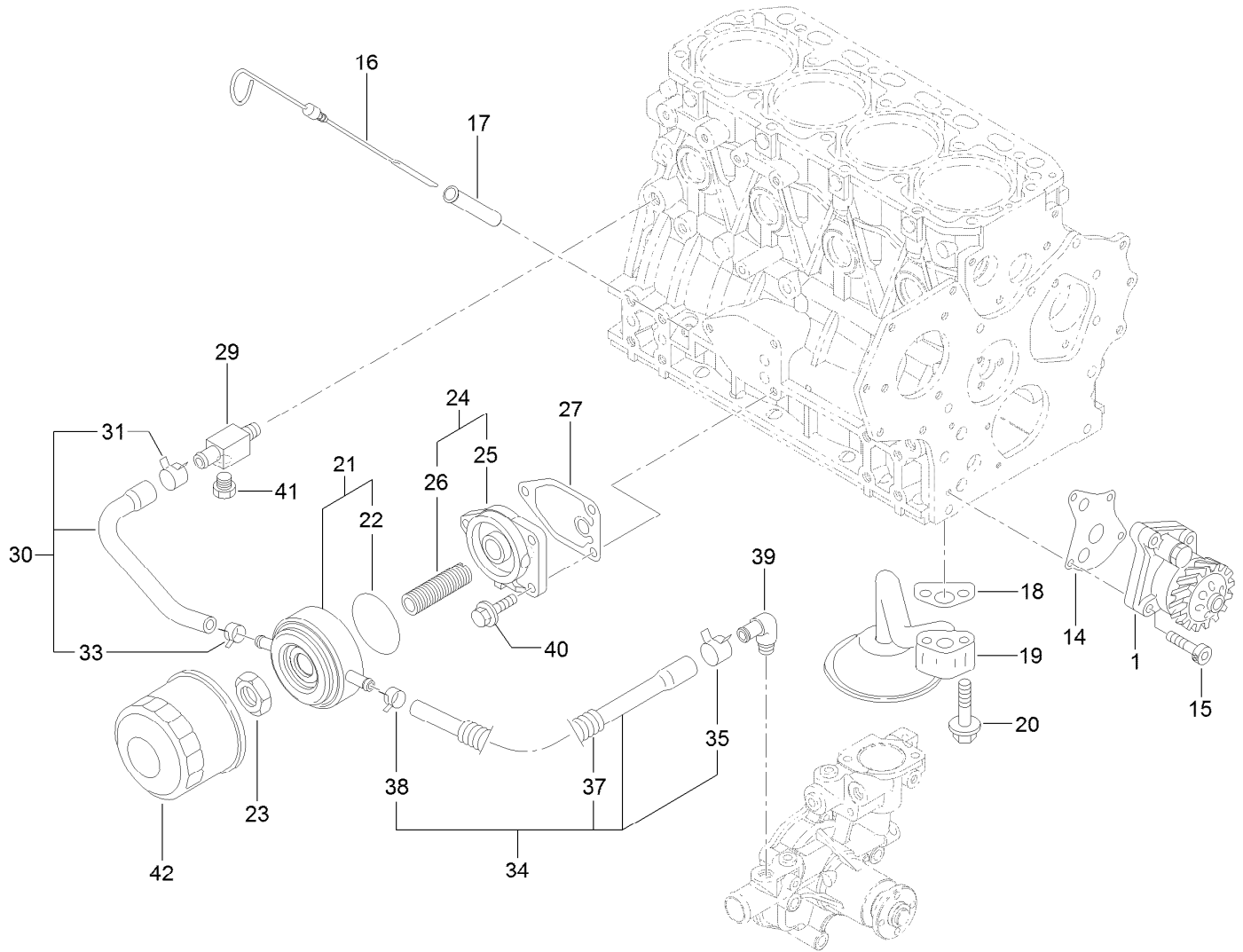
## Turbine Assembly

| <i>Ref.</i> | <i>Part Number</i> | <i>Qty.</i> | <i>Description</i> |
|-------------|--------------------|-------------|--------------------|
| 1           | 125-7069           | 1           | Turbine            |
| 2           | 125-7070           | 1           | Gasket             |
| 3           | 125-7043           | 5           | Stud               |
| 4           | 125-7229           | 4           | Nut                |



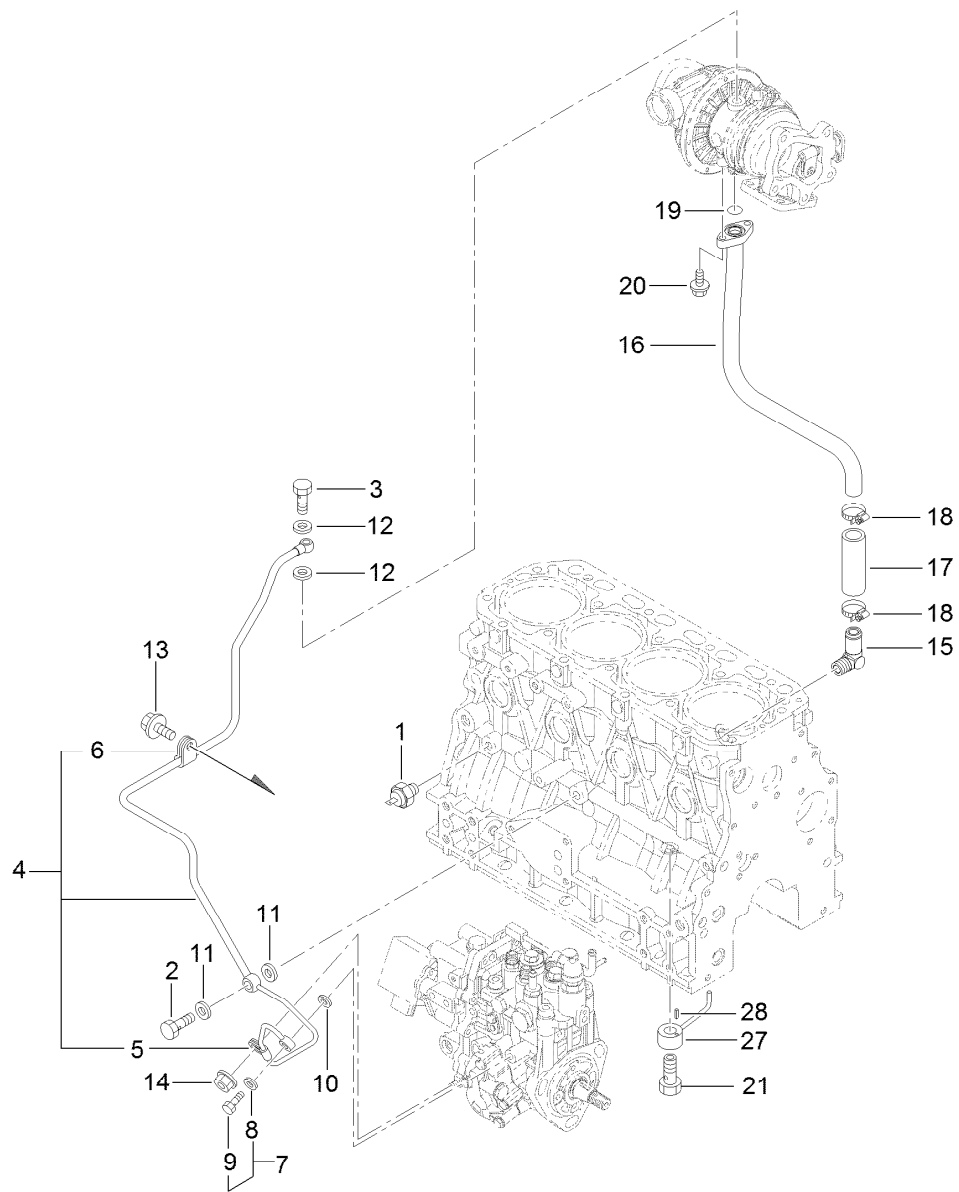
## Crankshaft and Piston Assembly

| <i>Ref.</i> | <i>Part Number</i> | <i>Qty.</i> | <i>Description</i> | <i>Ref.</i> | <i>Part Number</i> | <i>Qty.</i> | <i>Description</i>    |
|-------------|--------------------|-------------|--------------------|-------------|--------------------|-------------|-----------------------|
| 1           | 125-7091           | 1           | Crankshaft ASM     | 15          | 125-7072           | 4           | Piston ASM            |
| 2           | 125-6995           | 1           | Pin                | 17          | 125-6983           | 4           | Piston Ring Set       |
| 4           | 125-6937           | 1           | Gear               | 21          | 125-7030           | 4           | Pin                   |
| 5           | 125-7185           | 1           | Key                | 22          | 125-7180           | 8           | Ring                  |
| 7           | 125-7182           | 1           | Pin-Spring         | 23          | 125-7242           | 4           | Connecting Rod ASM    |
| 8           | 125-6925           | 1           | V-Pulley           | 26          | 125-6955           | 8           | Bolt                  |
| 9           | 125-7109           | 1           | Washer             | 27          | 125-7018           | 4           | Pin-Crank             |
| 10          | 125-6956           | 1           | Bolt               | 29          | 125-6997           | 4           | Pin-Piston            |
| 11          | 125-6951           | 6           | Bolt               | 30          | 125-7019           | 4           | Pin-Crank (.25)       |
| 12          | 125-7172           | 1           | Flywheel ASM       | 32          | 125-7073           | 4           | Piston ASM (0.25 Os)  |
| 14          | 125-6943           | 1           | Gear               | 34          | 125-6985           | 4           | Piston Ring Set (.25) |



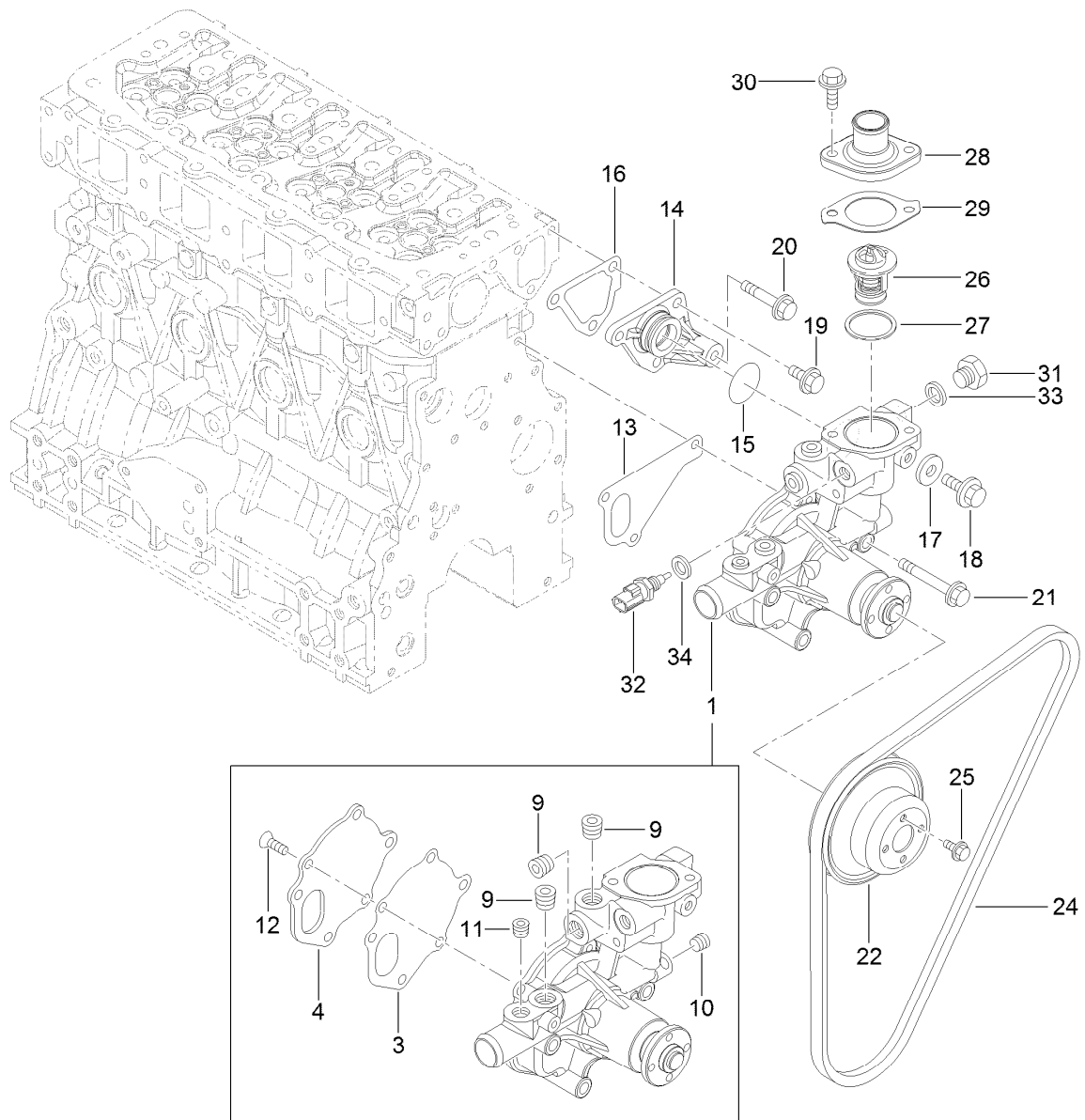
## Lubrication and Oil System Assembly

| <i>Ref.</i> | <i>Part Number</i> | <i>Qty.</i> | <i>Description</i> | <i>Ref.</i> | <i>Part Number</i> | <i>Qty.</i> | <i>Description</i> |
|-------------|--------------------|-------------|--------------------|-------------|--------------------|-------------|--------------------|
| 1           | 125-7044           | 1           | Oil Pump ASM       | 27          | 125-7024           | 1           | Gasket             |
| 14          | 125-7021           | 1           | Gasket             | 29          | 125-6990           | 1           | Joint              |
| 15          | 125-7232           | 4           | Bolt               | 30          | 125-7078           | 1           | Pipe ASM           |
| 16          | 125-6987           | 1           | Dipstick           | 31          | 125-7162           | 1           | Clip               |
| 17          | 125-6954           | 1           | Guide-Dipstick     | 33          | 125-7191           | 1           | Clamp-Hose         |
| 18          | 125-7022           | 1           | Gasket             | 34          | 125-7079           | 1           | Pipe ASM           |
| 19          | 125-7023           | 1           | Pipe ASM           | 35          | 125-7162           | 1           | Clip               |
| 20          | 125-7217           | 2           | Bolt               | 37          | 125-6946           | 1           | Tube               |
| 21          | 125-7074           | 1           | Cooler ASM         | 38          | 125-7191           | 1           | Clamp-Hose         |
| 22          | 125-7075           | 1           | O-Ring             | 39          | 125-7001           | 1           | Elbow              |
| 23          | 125-7041           | 1           | Nut-Cooler, Oil    | 40          | 125-7595           | 3           | Bolt               |
| 24          | 125-6989           | 1           | Bracket ASM        | 41          | 125-7171           | 1           | Plug-Drain         |
| 25          | 125-6930           | 1           | Bracket            | 42          | 125-7025           | 1           | Filter-Engine      |
| 26          | 125-7042           | 1           | Stud               |             |                    |             |                    |



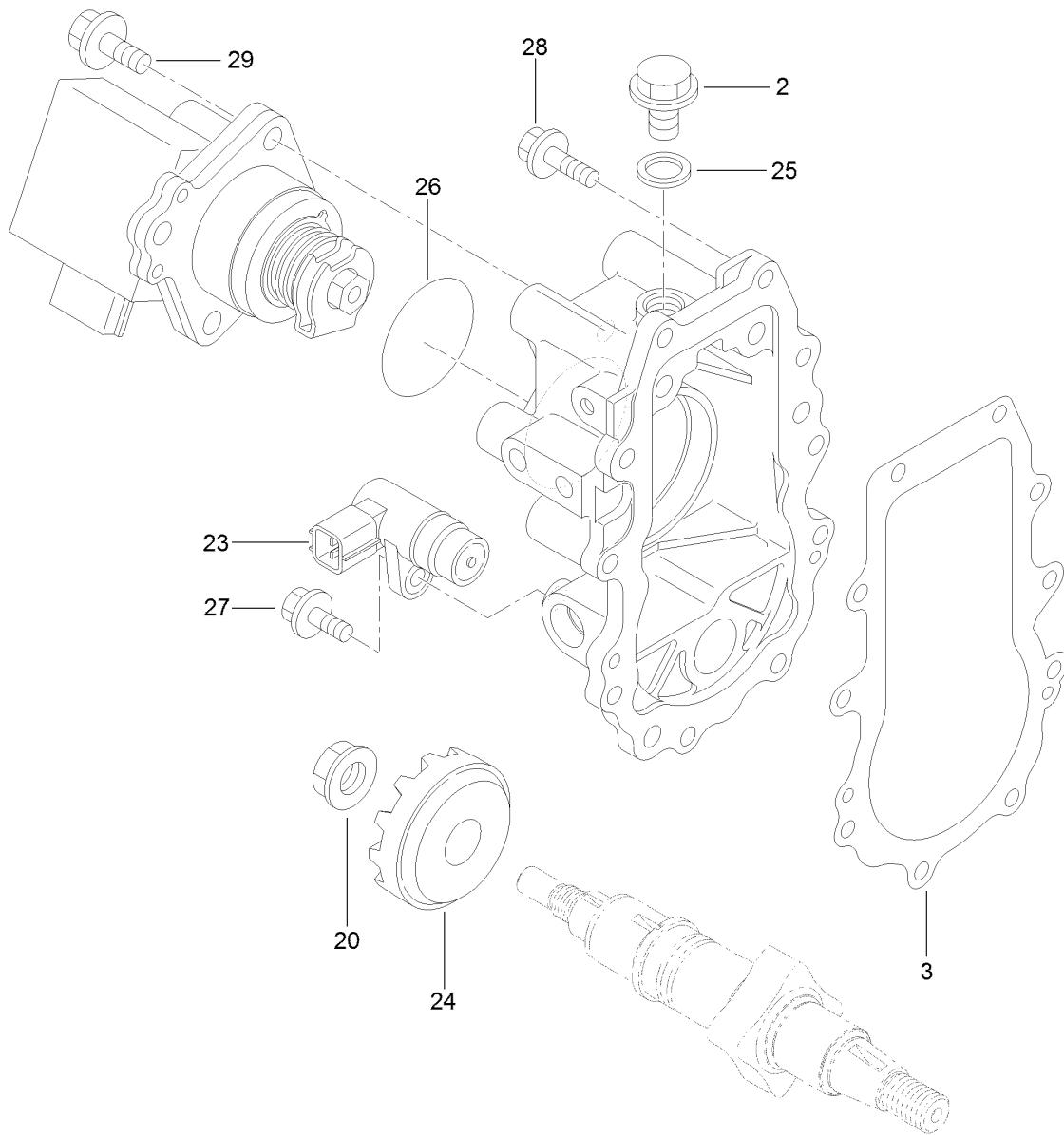
## Lubrication Oil Line Assembly

| <i>Ref.</i> | <i>Part Number</i> | <i>Qty.</i> | <i>Description</i> | <i>Ref.</i> | <i>Part Number</i> | <i>Qty.</i> | <i>Description</i> |
|-------------|--------------------|-------------|--------------------|-------------|--------------------|-------------|--------------------|
| 1           | 125-6918           | 1           | Switch-Oil         | 13          | 125-7212           | 1           | Bolt               |
| 2           | 125-6975           | 1           | Bolt-Joint, Pipe   | 14          | 125-7231           | 1           | Nut                |
| 3           | 125-6952           | 1           | Bolt-Joint, Pipe   | 15          | 125-6971           | 1           | Elbow              |
| 4           | 125-7076           | 1           | Pipe ASM           | 16          | 125-7077           | 1           | Pipe               |
| 5           | 125-6931           | 1           | Retainer           | 17          | 125-6958           | 1           | Hose               |
| 6           | 125-6976           | 1           | Retainer           | 18          | 125-7188           | 2           | Clamp-Hose         |
| 7           | 125-6988           | 1           | Joint Bolt ASM     | 19          | 125-7198           | 1           | O-Ring             |
| 8           | 125-7174           | 1           | Washer-Seal        | 20          | 125-7208           | 2           | Bolt               |
| 9           | 125-7194           | 1           | Bolt-Joint         | 21          | 125-7105           | 4           | Check Valve ASM    |
| 10          | 125-7174           | 1           | Washer-Seal        | 27          | 125-7098           | 4           | Nozzle             |
| 11          | 125-7175           | 2           | Washer-Seal        | 28          | 125-7182           | 4           | Pin-Spring         |
| 12          | 125-7193           | 2           | Gasket             |             |                    |             |                    |



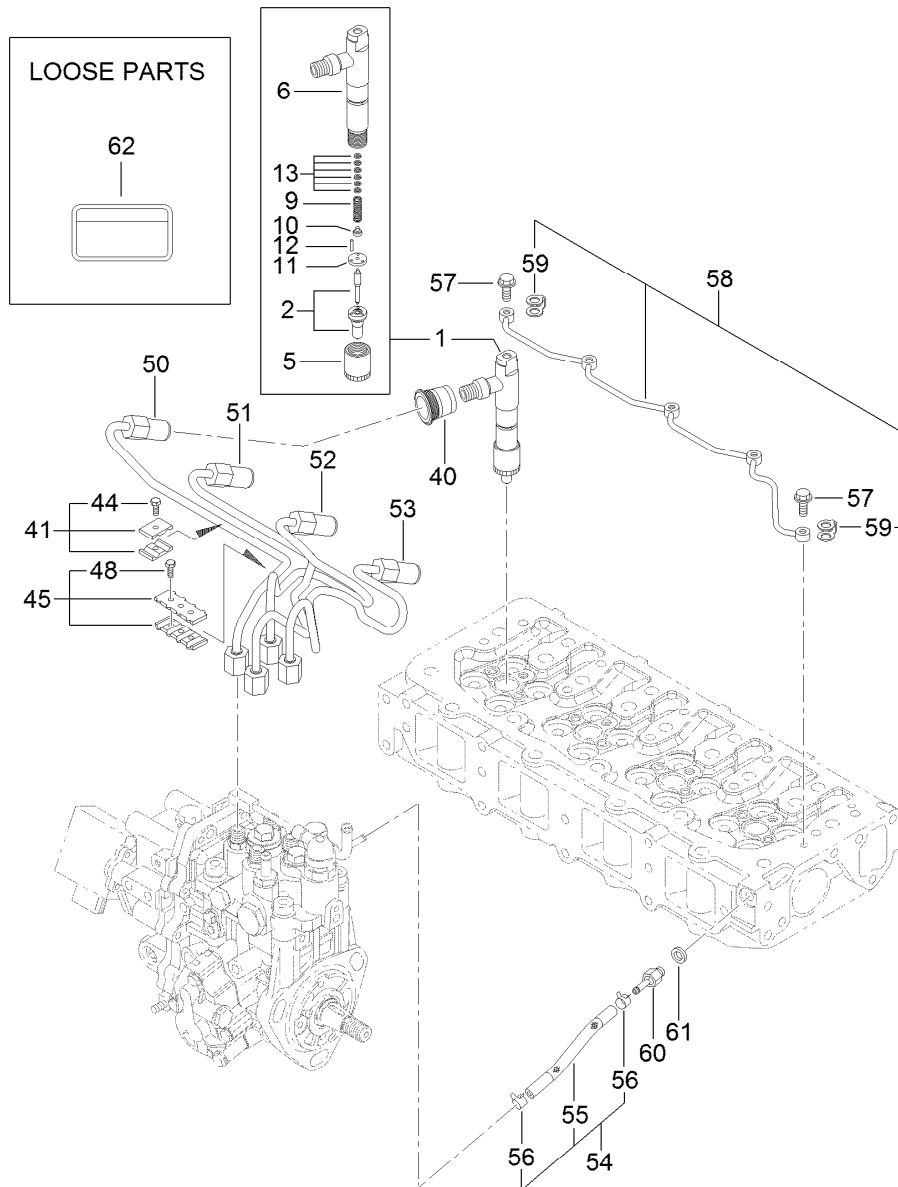
## Cooling Water System Assembly

| Ref. | Part Number | Qty. | Description | Ref. | Part Number | Qty. | Description           |
|------|-------------|------|-------------|------|-------------|------|-----------------------|
| 1    | 125-7031    | 1    | CW Pump ASM | 20   | 125-7219    | 1    | Bolt                  |
| 3    | 125-6998    | 1    | Gasket      | 21   | 125-7222    | 3    | Bolt                  |
| 4    | 125-6999    | 1    | Plate       | 22   | 125-7039    | 1    | V-Pulley              |
| 9    | 125-7123    | 3    | Plug        | 24   | 125-7204    | 1    | V-Belt                |
| 10   | 125-7195    | 1    | Plug        | 25   | 125-7206    | 4    | Bolt                  |
| 11   | 125-7196    | 1    | Plug        | 26   | 125-7029    | 1    | Thermostat            |
| 12   | 125-7234    | 3    | Screw       | 27   | 125-7026    | 1    | Gasket                |
| 13   | 125-7047    | 1    | Gasket      | 28   | 125-7034    | 1    | Cover                 |
| 14   | 125-6986    | 1    | Joint       | 29   | 125-7110    | 1    | Gasket                |
| 15   | 125-7048    | 1    | O-Ring      | 30   | 125-7594    | 2    | Bolt                  |
| 16   | 125-6978    | 1    | Gasket      | 31   | 125-6953    | 1    | Plug                  |
| 17   | 125-7192    | 1    | Gasket      | 32   | 125-7124    | 1    | Sensor-Thermostat, CW |
| 18   | 125-7212    | 1    | Bolt        | 33   | 125-6979    | 1    | Gasket                |
| 19   | 125-7214    | 3    | Bolt        | 34   | 125-7176    | 1    | Washer-Seal           |



## Governor Assembly

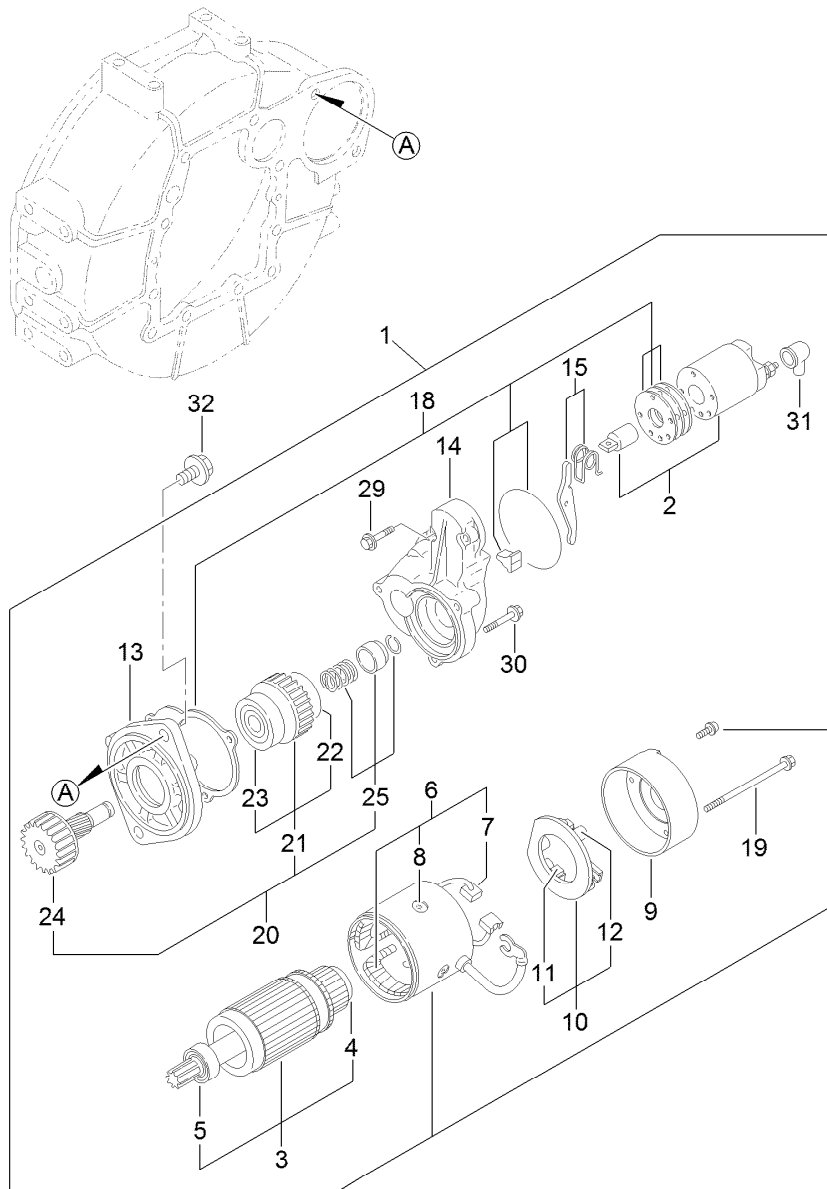
| <i>Ref.</i> | <i>Part Number</i> | <i>Qty.</i> | <i>Description</i> |
|-------------|--------------------|-------------|--------------------|
| 2           | 125-7148           | 1           | Plug               |
| 3           | 125-7149           | 1           | Gasket             |
| 20          | 125-6993           | 1           | Nut                |
| 23          | 125-7152           | 1           | Sensor             |
| 24          | 125-7150           | 1           | Gear               |
| 25          | 125-7176           | 1           | Washer-Seal        |
| 26          | 125-7200           | 1           | O-Ring             |
| 27          | 125-7208           | 1           | Bolt               |
| 28          | 125-7209           | 10          | Bolt               |
| 29          | 125-7215           | 3           | Bolt               |



## Fuel Injection Valve Assembly

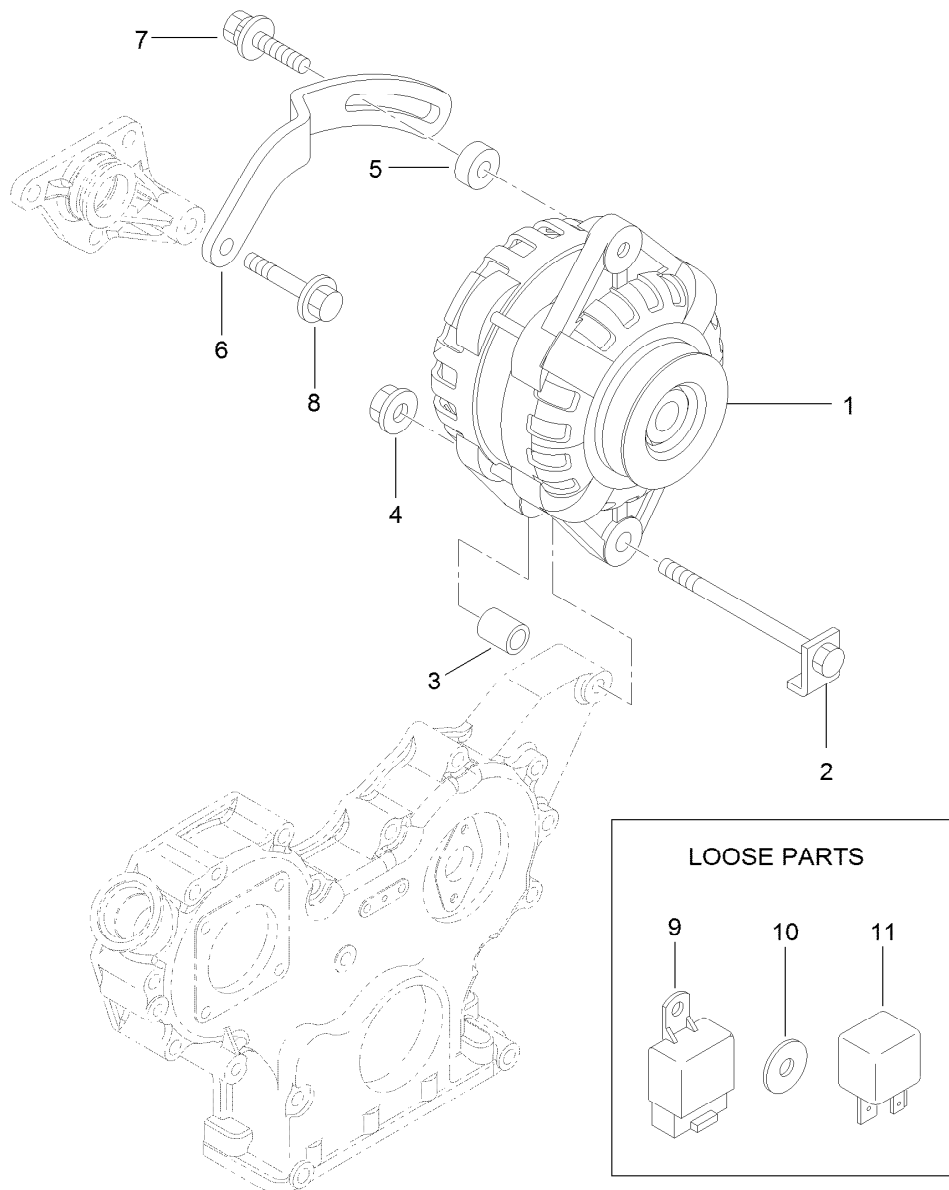
| Ref. | Part Number | Qty. | Description         | Ref. | Part Number | Qty. | Description             |
|------|-------------|------|---------------------|------|-------------|------|-------------------------|
| 1    | 125-7245    | 4    | Injection Valve ASM | 50   | 125-7082    | 1    | Injection Pipe ASM      |
| 2    | 125-7133    | 4    | Nozzle ASM          | 51   | 125-7083    | 1    | Injection Pipe ASM      |
| 5    | 125-6901    | 4    | Nut                 | 52   | 125-7084    | 1    | Injection Pipe ASM      |
| 6    | 125-7080    | 4    | Holder ASM          | 53   | 125-7085    | 1    | Injection Pipe ASM      |
| 9    | 125-6902    | 4    | Spring              | 54   | 125-6948    | 1    | Pipe ASM                |
| 10   | 125-6903    | 4    | Seat-Spring         | 55   | 125-6949    | 1    | Pipe                    |
| 11   | 125-6904    | 4    | Plate               | 56   | 125-6970    | 2    | Clip                    |
| 12   | 125-6905    | 8    | Pin                 | 57   | 125-6966    | 5    | Bolt-Joint, Pipe        |
| 13   | 125-6939    | 4    | Shim Set            | 58   | 125-7081    | 1    | Pipe ASM                |
| 40   | 125-6964    | 4    | Seal                | 59   | 125-6967    | 5    | Gasket                  |
| 41   | 125-6907    | 2    | Retainer            | 60   | 125-6968    | 1    | Joint                   |
| 44   | 125-7027    | 2    | Bolt                | 61   | 125-7174    | 1    | Washer-Seal             |
| 45   | 125-7097    | 1    | Retainer            | 62   | 125-6900    | 1    | Label-Caution, Fuel Oil |
| 48   | 125-7027    | 2    | Bolt                |      |             |      |                         |





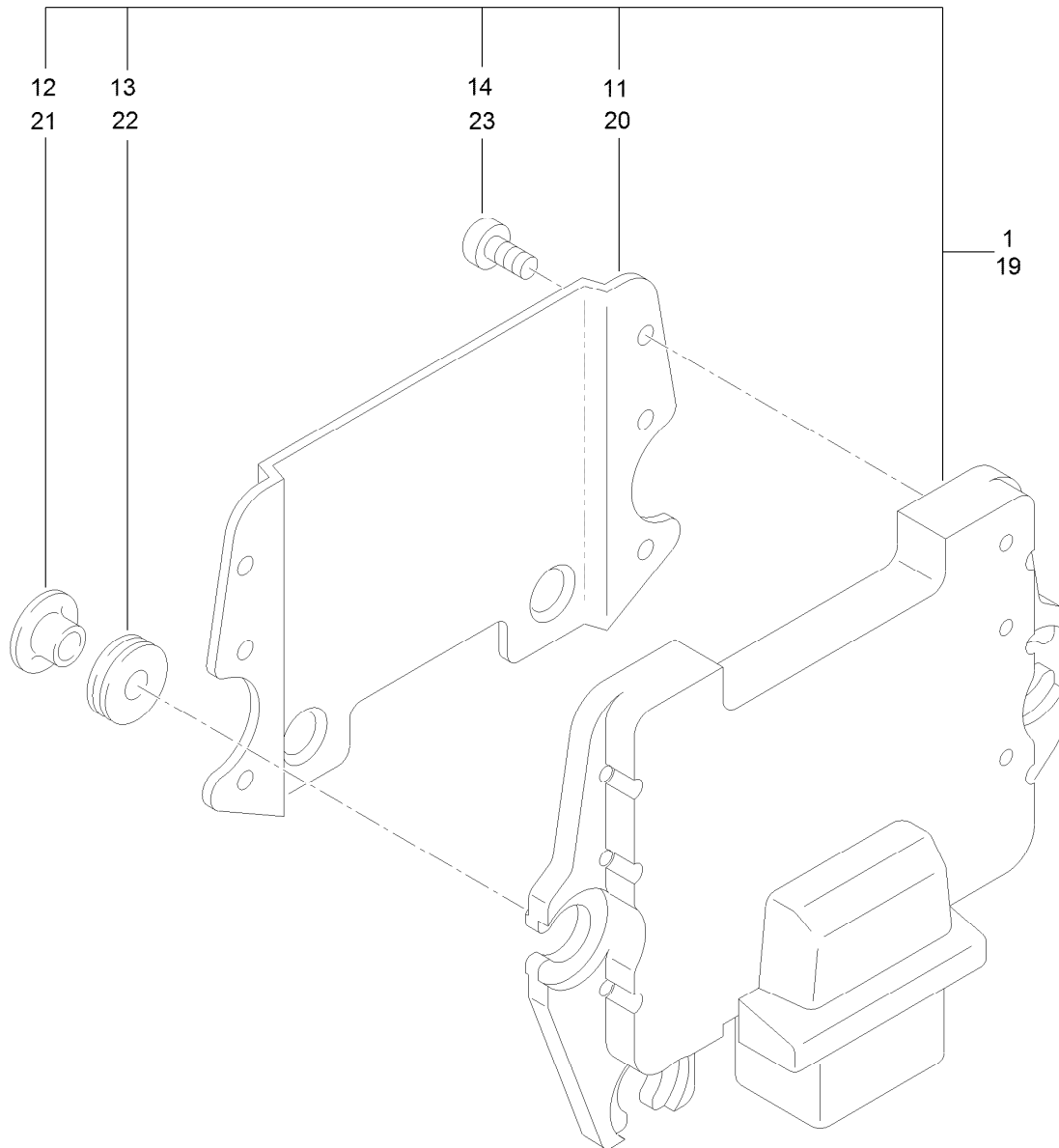
## Starting Motor Assembly

| <i>Ref.</i> | <i>Part Number</i> | <i>Qty.</i> | <i>Description</i> | <i>Ref.</i> | <i>Part Number</i> | <i>Qty.</i> | <i>Description</i> |
|-------------|--------------------|-------------|--------------------|-------------|--------------------|-------------|--------------------|
| 1           | 125-7003           | 1           | Starter            | 15          | 125-7165           | 1           | Lever Set          |
| 2           | 125-7004           | 1           | Switch ASM         | 18          | 125-7037           | 1           | Dust Cover ASM     |
| 3           | 125-7112           | 1           | Armature ASM       | 19          | 125-7117           | 2           | Bolt-Through       |
| 4           | 125-7252           | 1           | Bearing-Ball       | 20          | 125-7166           | 1           | Pinion ASM         |
| 5           | 125-7249           | 1           | Bearing, Ball      | 21          | 125-7250           | 1           | Clutch ASM         |
| 6           | 125-7113           | 1           | Field Coil ASM     | 22          | 125-7251           | 1           | Bearing-Ball       |
| 7           | 125-7114           | 2           | Brush              | 23          | 125-7253           | 1           | Bearing-Ball       |
| 8           | 125-7163           | 4           | Screw              | 24          | 125-7167           | 1           | Shaft              |
| 9           | 125-7115           | 1           | Cover              | 25          | 125-7168           | 1           | Stopper Set        |
| 10          | 125-7116           | 1           | Brush Holder ASM   | 29          | 125-7210           | 2           | Bolt               |
| 11          | 125-7114           | 2           | Brush              | 30          | 125-7211           | 3           | Bolt               |
| 12          | 125-7036           | 4           | Spring             | 31          | 125-7169           | 1           | Cover              |
| 13          | 125-7164           | 1           | Case-Gear          | 32          | 125-7225           | 2           | Bolt               |
| 14          | 125-7005           | 1           | Housing            |             |                    |             |                    |



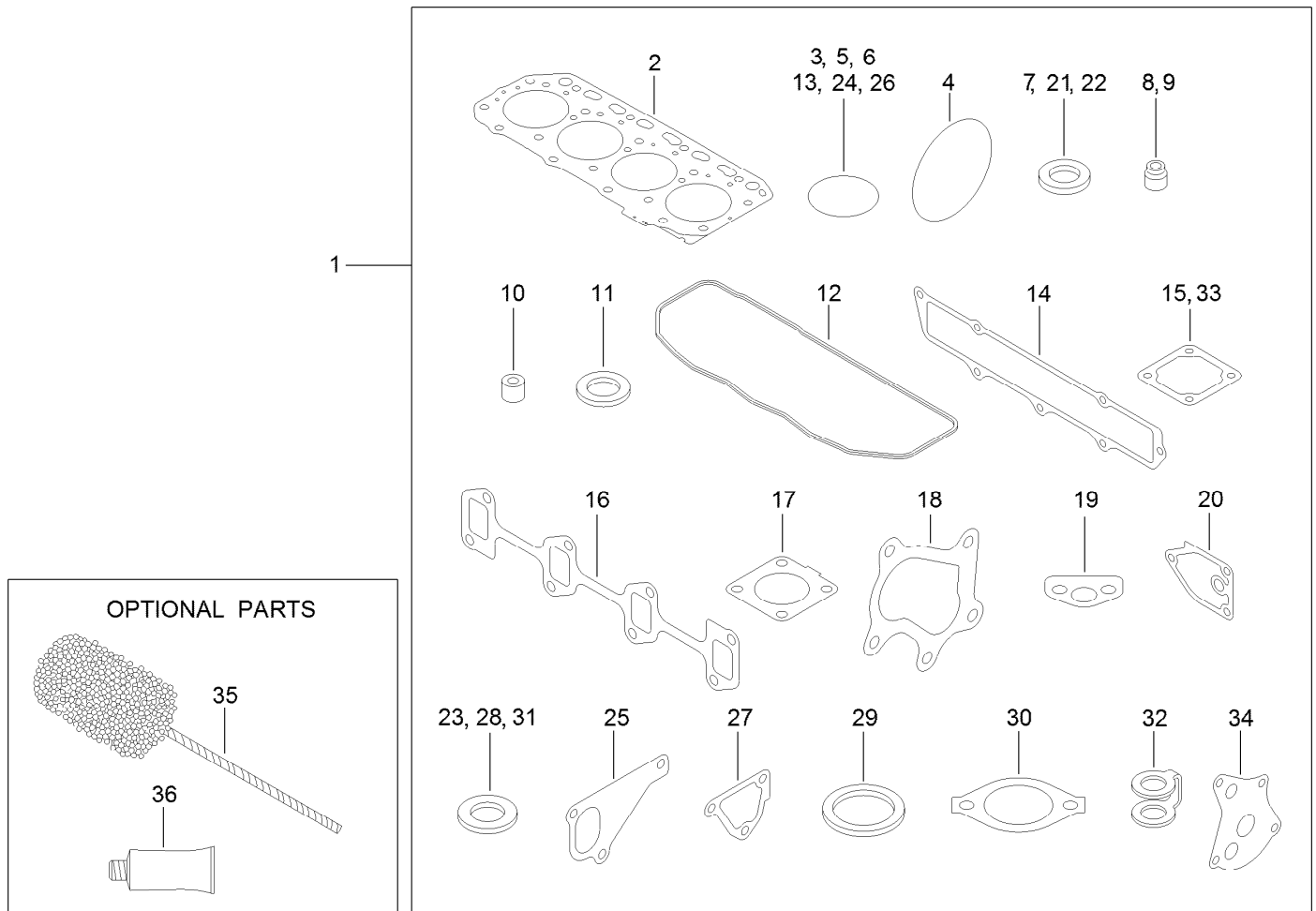
## Generator Assembly

| <b>Ref.</b> | <b>Part Number</b> | <b>Qty.</b> | <b>Description</b> |
|-------------|--------------------|-------------|--------------------|
| 1           | 125-7120           | 1           | Alternator-12V     |
| 2           | 125-7121           | 1           | Bolt-Stopper       |
| 3           | 125-7122           | 1           | Piece-Distance     |
| 4           | 125-7230           | 1           | Nut                |
| 5           | 125-6947           | 1           | Spacer             |
| 6           | 125-7101           | 1           | Adjuster-Belt      |
| 7           | 125-7134           | 1           | Bolt               |
| 8           | 125-7219           | 1           | Bolt               |
| 9           | 125-7173           | 2           | Relay              |
| 10          | 125-7131           | 3           | Washer             |
| 11          | 125-7132           | 2           | Relay              |



## Electronic Control Unit Assembly

| <i>Ref.</i> | <i>Part Number</i> | <i>Qty.</i> | <i>Description</i> |
|-------------|--------------------|-------------|--------------------|
| 1           | 135-4281           | 1           | Ecu                |
| 11          | 125-7129           | 1           | Shield             |
| 12          | 125-7130           | 3           | Collar             |
| 13          | 125-6908           | 3           | Absorber           |
| 14          | 125-7187           | 6           | Screw              |
| 19          | 125-7128           | 1           | Ecu                |
| 20          | 125-7129           | 1           | Shield             |
| 21          | 125-7130           | 3           | Collar             |
| 22          | 125-6908           | 3           | Absorber           |
| 23          | 125-7187           | 6           | Screw              |



## Gasket Set

| Ref. | Part Number | Qty. | Description      | Ref. | Part Number | Qty. | Description   |
|------|-------------|------|------------------|------|-------------|------|---------------|
| 1    | 125-7243    | 1    | Gasket Set       | 19   | 125-7022    | 1    | Gasket        |
| 2    | 125-7049    | 1    | Gasket-Head      | 20   | 125-7024    | 1    | Gasket        |
| 3    | 125-6909    | 2    | O-Ring           | 21   | 125-7174    | 7    | Washer-Seal   |
| 4    | 125-6957    | 1    | O-Ring           | 22   | 125-7175    | 2    | Washer-Seal   |
| 5    | 125-7197    | 2    | O-Ring           | 23   | 125-7193    | 2    | Gasket        |
| 6    | 125-7199    | 1    | O-Ring           | 24   | 125-7198    | 1    | O-Ring        |
| 7    | 125-7177    | 1    | Washer-Seal      | 25   | 125-7047    | 1    | Gasket        |
| 8    | 125-6915    | 8    | Seal-Stem, Valve | 26   | 125-7048    | 1    | O-Ring        |
| 9    | 125-6916    | 8    | Seal-Stem, Valve | 27   | 125-6978    | 1    | Gasket        |
| 10   | 125-6921    | 4    | Protector        | 28   | 125-7192    | 1    | Gasket        |
| 11   | 125-6911    | 4    | Seat-Valve       | 29   | 125-7026    | 1    | Gasket        |
| 12   | 125-7060    | 1    | Gasket           | 30   | 125-7110    | 1    | Gasket        |
| 13   | 93-0418     | 7    | O-Ring           | 31   | 125-6979    | 2    | Gasket        |
| 14   | 125-7066    | 1    | Gasket           | 32   | 125-6967    | 5    | Gasket        |
| 15   | 125-7028    | 1    | Gasket           | 33   | 125-7000    | 1    | Gasket        |
| 16   | 125-7096    | 1    | Gasket           | 34   | 125-7021    | 1    | Gasket        |
| 17   | 125-7070    | 1    | Gasket           | 35   | 125-7038    | 1    | Hone          |
| 18   | 125-7071    | 1    | Gasket           | 36   | 125-7248    | 1    | Gasket-Liquid |

# Attachments and Accessories

## For 30605 Groundsmaster 4000 Rotary Mower

| <b>Product Name</b>                             | <b>Model/Part</b> |
|---|-------------------|
| Bumper ASM .....                                | 106-4278-03       |
| Blade-Atomic (21.75in) .....                    | 107-0214-03       |
| Atomic Blade Service Pack (7 Pack).....         | 108-1450          |
| Blade-Flat Sail (21.75in) .....                 | 110-6115-03       |
| Flat Blade Service Pack (7 Pack).....           | 110-6130          |
| MVP Blade Kit.....                              | 117-2722          |
| Vinyl Backrest Extension Kit .....              | 119-7718          |
| Large Seat Cover.....                           | 120-5179          |
| Castor Wrench.....                              | 121-3874          |
| Premium Engine Oil 10w30 (55 Gallon Drum) ..... | 121-6392          |
| Premium Engine Oil 10w30 (5 Gallon Pail) .....  | 121-6393          |
| Premium Engine Oil 15w40 (55 Gallon Drum) ..... | 121-6394          |
| Premium Engine Oil 15w40 (5 Gallon Pail) .....  | 121-6395          |
| Roller Assembly.....                            | 132-6113          |
| Pivot Caster Scraper Kit.....                   | 132-6114          |
| PX Hydraulic Fluid (5 Gal) .....                | 133-8086          |
| PX Hydraulic Fluid (55 Gal).....                | 133-8087          |
| Skid Plate Kit .....                            | 136-4360          |
| Blade-Rotary, Medium Sail .....                 | 136-4370-03       |
| Tire-High Traction (20x10-10).....              | 136-4440          |
| Tire-High Traction (26x12-12).....              | 136-4442          |
| MVP Blade Kit.....                              | 137-5500          |
| 8in Semi-Pneumatic Wheel ASM.....               | 137-5529          |
| MVP Filter Kit.....                             | 30089             |
| Universal Sunshade .....                        | 30349             |
| North American Light Kit.....                   | 30414             |
| Guardian Recycler Conversion Kit.....           | 30420             |
| Leaf Mulcher Kit.....                           | 30422             |
| CE Kit .....                                    | 30453             |
| Right-Hand Replacement Mower.....               | 30476             |
| Left-Hand Replacement Mower .....               | 30477             |
| Front Deck .....                                | 30479             |
| Beacon Kit .....                                | 30661             |
| Slow-Moving Vehicle Sign Kit .....              | 30665             |
| Light Adapter Kit .....                         | 30691             |
| Horn Kit.....                                   | 31511             |
| Backup Alarm Kit .....                          | 31512             |
| 4WD Manual Override Kit .....                   | 31522             |
| EU Light Kit.....                               | 31543             |
| Blade (21.75in) .....                           | 92-5608-03        |
| 8in Foam Filled Wheel ASM .....                 | 93-5974           |

**Notes:**

**Notes:**



**Count on it.**