



Count on it.

Parts Catalog

Groundsmaster® 4000

Rotary Mower

Model No. 30609—Serial No. 315001001 and Up



Ordering Replacement Parts

To order replacement parts, please supply the part number, the quantity, and the description of each part desired.

Understanding Reference Numbers

Each identified part in an illustration has a reference number. The reference number for a part also appears in the parts list, along with other information about the part.

This catalog uses two special reference number formats, one to indicate parts in a service assembly and another to indicate the quantity of a given part in an illustration.

Service Assembly Reference Numbers

Parts in service assemblies have reference numbers in the form a:b. The a represents the reference number of the entire service assembly and the b represents a sequential number unique to each part within the service assembly.

For example, a wheel assembly might be identified by reference number 6, the tire by 6:1, the valve by 6:2, and the wheel by 6:3. When you order the assembly identified by reference number 6, you receive all parts identified by reference numbers 6:1, 6:2, and 6:3. However, you may also order any part individually. Reference numbers of this type appear in illustration and in parts lists.

Reference Numbers Indicating Quantity

In an illustration, if a reference number indicates more than one part, the reference number has the form nX y. The n represents the quantity of the part, the X is the multiplication symbol, and the y represents the reference number.

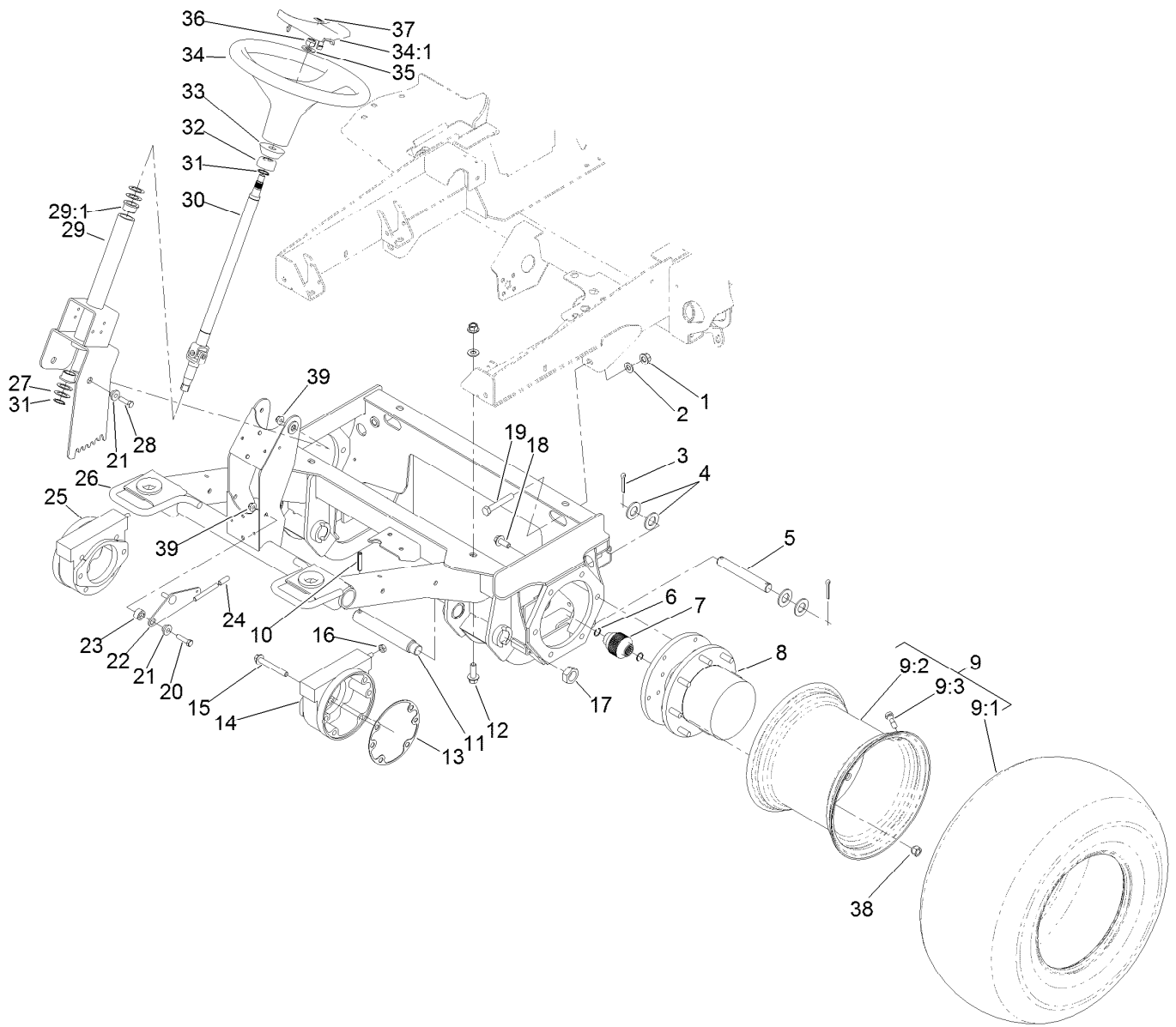
For example, in an illustration, the reference number 2X 37 means that two of the parts identified by reference number 37 are indicated.

Contents

| | |
|---|----|
| Front Frame and Steering Assembly | 5 |
| Planetary Assembly No. 105-4500 | 7 |
| Brake Assembly No. 100-3070-03 | 8 |
| Brake Assembly No. 100-3069-03 | 9 |
| Battery, Rear Cover and Steer Valve Mount Assembly | 10 |
| Wing Lift Arm Assembly | 11 |
| Hydraulic Cylinder Assembly No. 107-4303 | 13 |
| Impact Arm Assembly | 14 |
| Frame, Bumper and Proximity Sensor Assembly | 16 |
| ROPS and Step Assembly | 17 |
| Flywheel and Motor Mount Assembly | 18 |
| Radiator and Fan Assembly | 19 |
| Fan Mounting and Hardline Assembly | 21 |
| Hydraulic Motor Assembly No. 117-4769 | 22 |
| Engine and Controller Assembly | 23 |
| Rear Axle and Steering Cylinder Assembly | 24 |
| Bevel Pinion Shaft Assembly Rear Axle Assembly No. 110-4750 | 26 |
| Differential Assembly Rear Axle Assembly No. 110-4750 | 27 |
| Axle Support Assembly Rear Axle Assembly No. 110-4750 | 28 |
| Bevel Gear Case Assembly Rear Axle Assembly No. 110-4750 | 29 |
| Bevel Gear Shaft Assembly Rear Axle Assembly No. 110-4750 | 30 |
| Axle Case Assembly Rear Axle Assembly No. 110-4750 | 31 |
| Axle Assembly Rear Axle Assembly No. 110-4750 | 32 |
| Hydraulic Motor Assembly No. 120-8814 | 33 |
| Steering Cylinder Assembly No. 121-1534 | 34 |
| Hydraulic Fitting Assembly | 35 |
| Hose and Tube Routing Assembly | 36 |
| Fuel Tank and Air Cleaner Assembly | 37 |
| Air Cleaner Assembly No. 99-5410 | 38 |
| Hood Assembly | 39 |
| Fuel/Water Separator Assembly | 40 |
| Front Deck Installation Assembly | 41 |
| Hydraulic Motor Assembly No. 127-3694 | 43 |
| Lift Cylinder Assembly No. 120-8802 | 44 |
| Front Deck Hydraulic Fitting Assembly | 45 |
| Front Deck Hose Routing Assembly | 46 |
| Left Deck Mount Assembly | 47 |
| Left Deck Hydraulic Fitting Assembly | 48 |
| Left Deck Hose Assembly | 49 |
| Right Deck Mount Assembly | 50 |
| Right Deck Hydraulic Fitting Assembly | 51 |
| Right Deck Hose Assembly | 52 |
| Traction Pedal and Platform Assembly | 53 |
| Brake Pedal Assembly | 55 |
| Seat Base and Seat Assembly | 56 |
| Seat Suspension Assembly No. 130-2702 | 58 |
| Vinyl Premium Seat Assembly No. 117-5676 | 60 |
| Parking Brake, Steering Tower and Power Center Assembly | 61 |
| Fender, Tool Box and Cover Assembly | 62 |
| Fender Assembly | 63 |
| Acoustic Foam Assembly | 64 |
| Platform Harness and Fuse Assembly | 65 |
| Rear Wire Harness Assembly | 66 |
| Battery Cable and Ground Assembly | 67 |

Contents (continued)

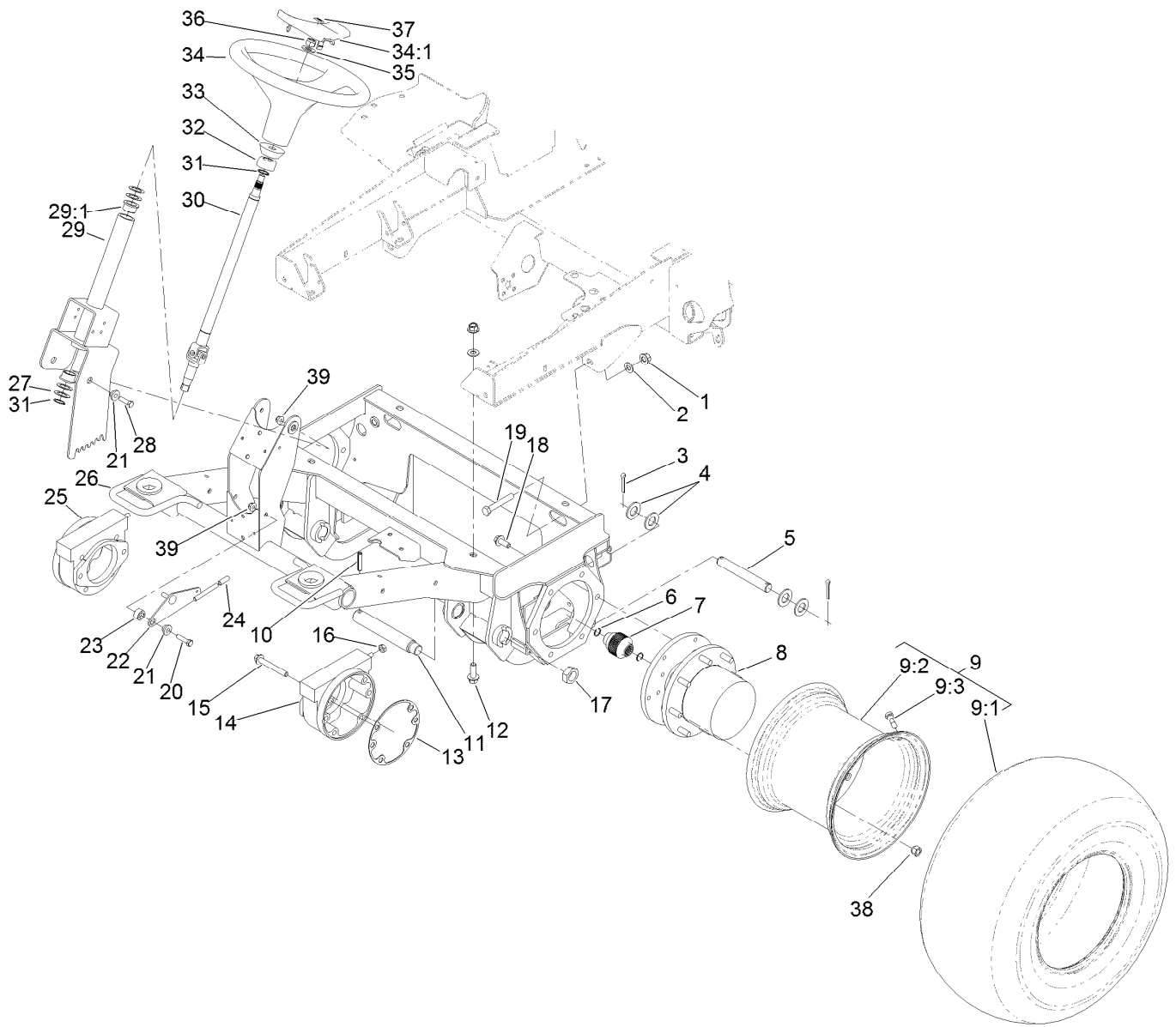
| | |
|--|-----|
| Engine Harness Assembly | 68 |
| Piston Pump and Gear Pump Assembly. | 69 |
| 4-Section Gear Pump Assembly No. 120-8904. | 71 |
| Piston Pump Assembly No. 120-9059 | 72 |
| Combination Manifold Assembly | 74 |
| Combination Manifold Assembly No. 127-3650 | 75 |
| Manifold Block Assembly | 77 |
| Left Power-Take-Off Manifold Assembly No. 121-1536 | 79 |
| Rear Traction Manifold Assembly No. 121-1530. | 80 |
| Center and Right Power-Take-Off Manifold Assembly No. 121-1537 | 81 |
| Flow Divider Manifold Assembly No. 121-1550. | 82 |
| Drive Motor, Steer Valve and Filter Head Assembly | 83 |
| Hydraulic Motor Assembly No. 120-8812. | 84 |
| Steering Valve Assembly No. 130-7949. | 85 |
| Lift, Steer and Fan Hydraulic Assembly | 86 |
| Hydraulic Reservoir Assembly | 88 |
| Oil Cooler Hydraulic Assembly. | 89 |
| Traction Hydraulic Assembly | 90 |
| Armrest Control Panel Assembly. | 92 |
| Front Deck, Idler and Skid Assembly | 94 |
| Double Driven Spindle Assembly No. 119-4548 | 95 |
| High Driven Spindle Assembly No. 119-4549 | 96 |
| Front Deck Caster Arm and Wheel Assembly | 97 |
| Front Deck Driving Spindle Assembly. | 98 |
| Driving Spindle Assembly No. 119-4547 | 99 |
| Front Deck Chamber and Cover Assembly | 100 |
| Left Deck Idler and Skid Assembly | 101 |
| Low Driven Spindle Assembly No. 119-4776. | 103 |
| Right Hand and Left Hand Castor Arm and Wheel Assembly | 104 |
| LH and RH Deck Driving Spindle Assembly. | 105 |
| Left Deck Discharge Chamber and Cover Assembly | 106 |
| Right Deck, Idler and Skid Assembly | 107 |
| Right Deck Discharge Chamber and Cover Assembly | 109 |
| Cylinder Block Assembly. | 110 |
| Cylinder Head and Cover Assembly | 112 |
| Gear Housing Assembly | 114 |
| Flywheel Housing and Oil Sump Assembly | 115 |
| Suction Manifold Assembly. | 116 |
| Exhaust Manifold Assembly | 117 |
| Diesel Particulate Filter Assembly | 118 |
| Camshaft and Driving Gear Assembly | 120 |
| Turbine Assembly. | 121 |
| Crankshaft and Piston Assembly. | 122 |
| Lubrication and Oil System Assembly. | 123 |
| Lubrication Oil Line Assembly | 124 |
| Cooling Water System Assembly. | 125 |
| Fuel System Assembly | 126 |
| Fuel Injection Valve Assembly | 127 |
| Fuel Line Assembly | 128 |
| Starting Motor Assembly. | 129 |
| Generator Assembly | 130 |
| Electric Parts Assembly. | 131 |
| Gasket Set. | 132 |
| Attachments and Accessories | 134 |



Front Frame and Steering Assembly

| Ref. | Part Number | Qty. | Description | Ref. | Part Number | Qty. | Description |
|------|-------------|------|--------------------------|------|-------------|------|---------------------|
| 1 | 99-5107 | 6 | Nut-Lock | 16 | 3218-4 | 2 | Nut-Jam |
| 2 | 3256-26 | 6 | Washer-Flat | 17 | 3296-49 | 2 | Nut-Lock, NI |
| 3 | 3272-30 | 4 | Pin-Cotter | 18 | 33106-030 | 12 | Screw-HHF |
| 4 | 3256-29 | 8 | Washer-Flat | 19 | 325-13 | 2 | Screw-HH |
| 5 | 110-6006 | 2 | Pin-Clevis | 20 | 323-8 | 1 | Screw-HH |
| 6 | 93-7972 | 4 | Ring-Retaining, Internal | 21 | 93-5988 | 3 | Hub-Pivot |
| 7 | 100-3046 | 2 | Shaft-Brake, Splined | 22 | 114-5907-03 | 1 | Lever-Tilt |
| 8 | 105-4500 | 2 | Planetary ASM | 23 | 114-4854 | 1 | Spacer-Cup |
| 9 | | 2 | Wheel And Tire ASM ● | 24 | 93-5446 | 1 | Cap-Vinyl |
| 9:1 | 119-8313 | 1 | Tire | 25 | 100-3069-03 | 1 | Brake ASM |
| 9:2 | 120-4175 | 1 | Rim | 26 | 120-4085-03 | 1 | Frame-Front |
| 9:3 | 232-27 | 1 | Stem-Valve | 27 | 9547 | 4 | Washer-Thrust |
| 10 | 32121-110 | 2 | Pin-Roll, Slotted | 28 | 323-7 | 2 | Screw-HH |
| 11 | 100-3017 | 2 | Pin-Arm, Lift | 29 | 114-0167 | 1 | Steering Column ASM |
| 12 | 100-6116 | 4 | Screw-HHF | 29:1 | 256-132 | 2 | Bushing-Flange |
| 13 | 93-7984 | 2 | Gasket | 30 | 93-5428 | 1 | Shaft-Steering |
| 14 | 100-3070-03 | 1 | Brake ASM | 31 | 32151-29 | 2 | Ring-Retaining |
| 15 | 33106-090 | 8 | Screw-HHF | 32 | 93-5439 | 1 | Seal-Steering |

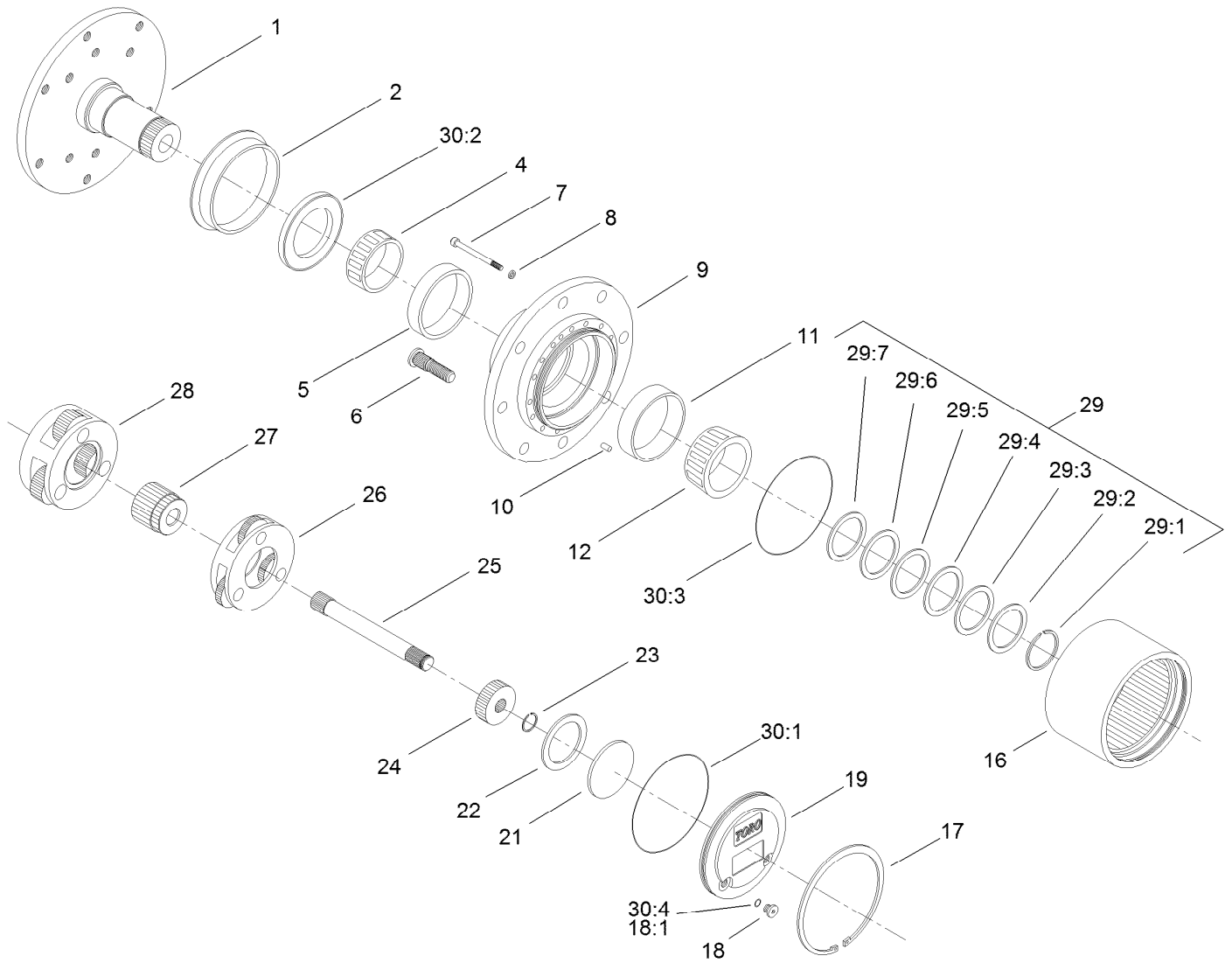
● Not serviced separately



Front Frame and Steering Assembly (continued)

| <i>Ref.</i> | <i>Part Number</i> | <i>Qty.</i> | <i>Description</i> | <i>Ref.</i> | <i>Part Number</i> | <i>Qty.</i> | <i>Description</i> |
|-------------|--------------------|-------------|-----------------------|-------------|--------------------|-------------|--------------------|
| 33 | 93-5429 | 1 | Collar-Foam | 36 | 108-9342 | 1 | Nut-Hex |
| 34 | 98-1471 | 1 | Wheel-Steering | 37 | 98-1459 | 1 | Decal |
| 34:1 | 98-1468 | 1 | Cover-Wheel, Steering | 38 | 242-50 | 16 | Nut-Lug |
| 35 | 3256-27 | 1 | Washer-Flat | 39 | 104-8301 | 3 | Nut-HF, NI |

● Not serviced separately

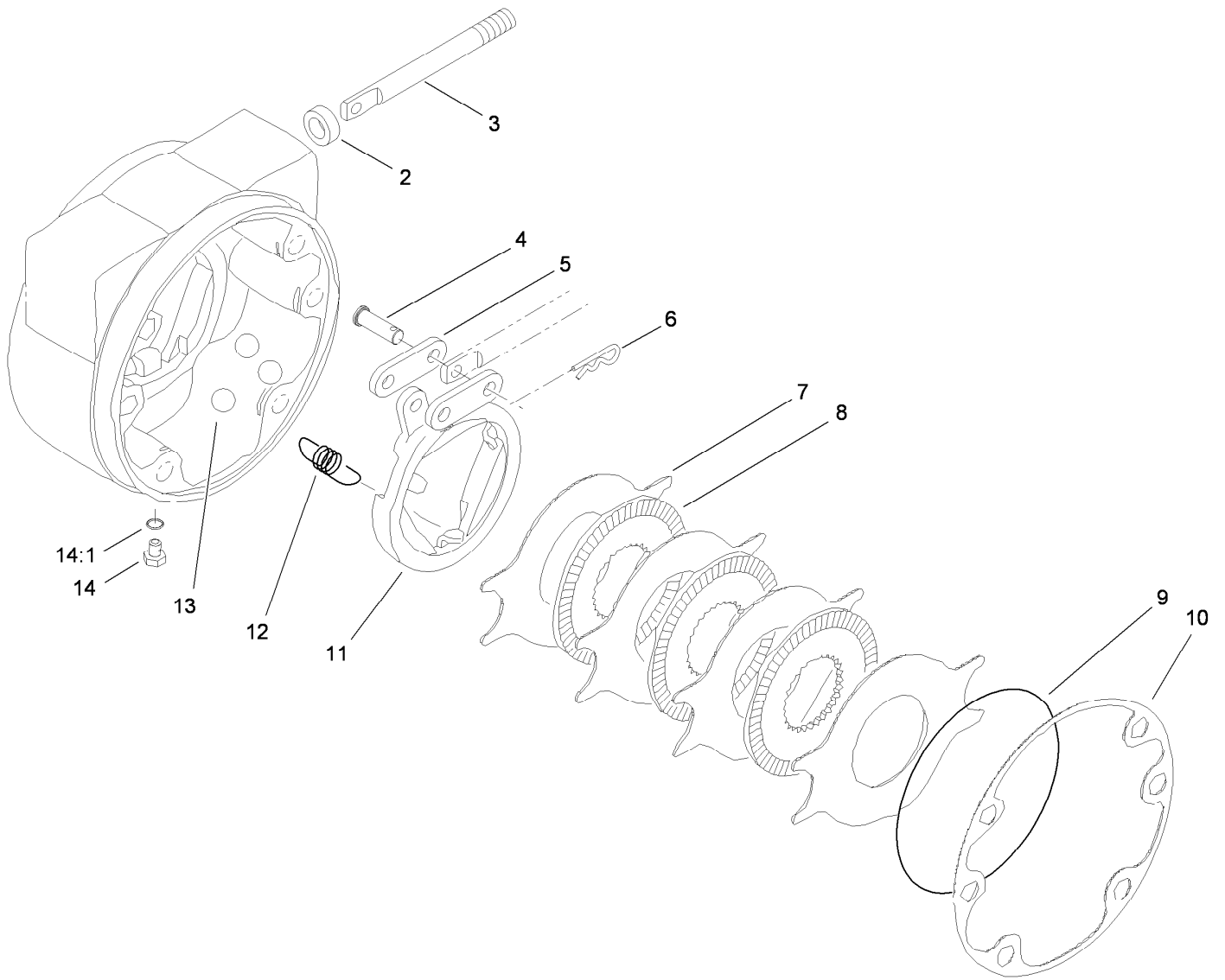


Planetary Assembly No. 105-4500

| Ref. | Part Number | Qty. | Description | Ref. | Part Number | Qty. | Description |
|------|-------------|------|-------------------|------|-------------|------|-----------------------|
| 1 | | 1 | Spindle ■ | 24 | 105-8114 | 1 | Gear-Primary |
| 2 | 105-8122 | 1 | Seal-Boot | 25 | 105-8115 | 1 | Shaft-Drive |
| 4 | 105-8120 | 1 | Bearing-Cone | 26 | 105-8129 | 1 | Carrier-Primary |
| 5 | 105-8119 | 1 | Bearing-Cup | 27 | 105-8139 | 1 | Gear-Secondary |
| 6 | 105-8124 | 8 | Stud-Wheel | 28 | 105-8130 | 1 | Carrier-Secondary |
| 7 | 105-8125 | 16 | Bolt-Head, Socket | 29 | 105-8136 | 1 | Shim Kit |
| 8 | 3253-18 | 16 | Washer-Lock | 29:1 | | 1 | Ring-Snap ■ |
| 9 | | 1 | Housing ■ | 29:2 | | 1 | Shim-Bearing, 2.9Mm ■ |
| 10 | 105-8121 | 1 | Pin-Dowel | 29:3 | | 1 | Shim-Bearing, 2.8Mm ■ |
| 11 | 105-8117 | 1 | Bearing-Cup | 29:4 | | 1 | Shim-Bearing, 2.7Mm ■ |
| 12 | 105-8118 | 1 | Bearing-Cone | 29:5 | | 1 | Shim-Bearing, 2.6Mm ■ |
| 16 | 105-8113 | 1 | Gear-Ring | 29:6 | | 1 | Shim-Bearing, 2.5Mm ■ |
| 17 | 105-8132 | 1 | Ring-Retaining | 29:7 | | 1 | Shim-Bearing, 2.4Mm ■ |
| 18 | 353-990 | 2 | Plug ASM | 30 | 105-8137 | 1 | Seal Kit ● |
| 18:1 | 237-78 | 1 | O-Ring | 30:1 | | 1 | O Ring-Flange Cap ■ |
| 19 | 105-8138 | 1 | Cap-End | 30:2 | | 1 | Seal-Oil ■ |
| 21 | 105-8133 | 1 | Plug-Thrust | 30:3 | | 2 | O Ring-End Cap ■ |
| 22 | 105-8123 | 1 | Washer-Thrust | 30:4 | 237-78 | 2 | O-Ring |
| 23 | 105-8131 | 1 | Ring-Retaining | | | | |

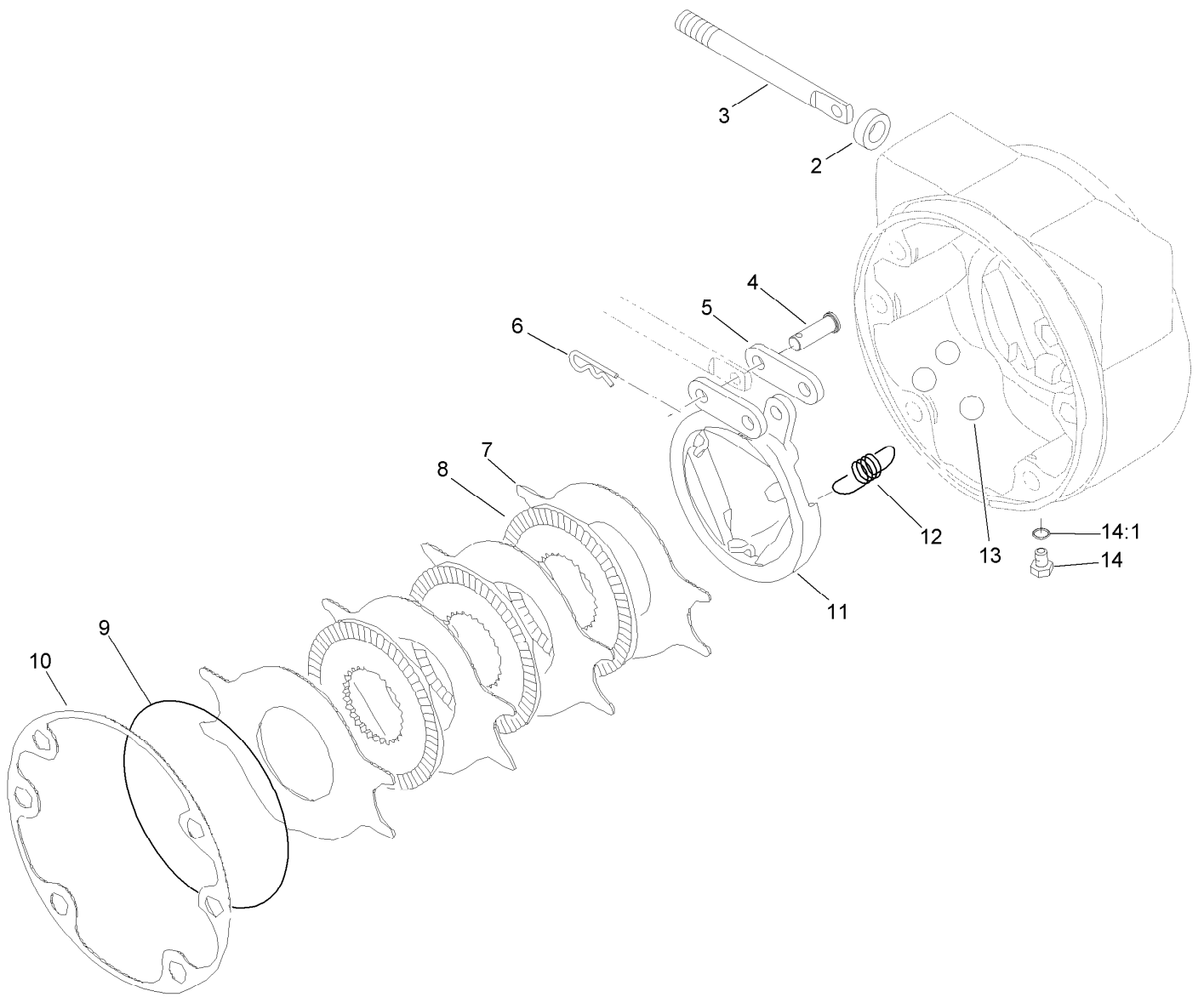
● Not illustrated

■ Not serviced separately



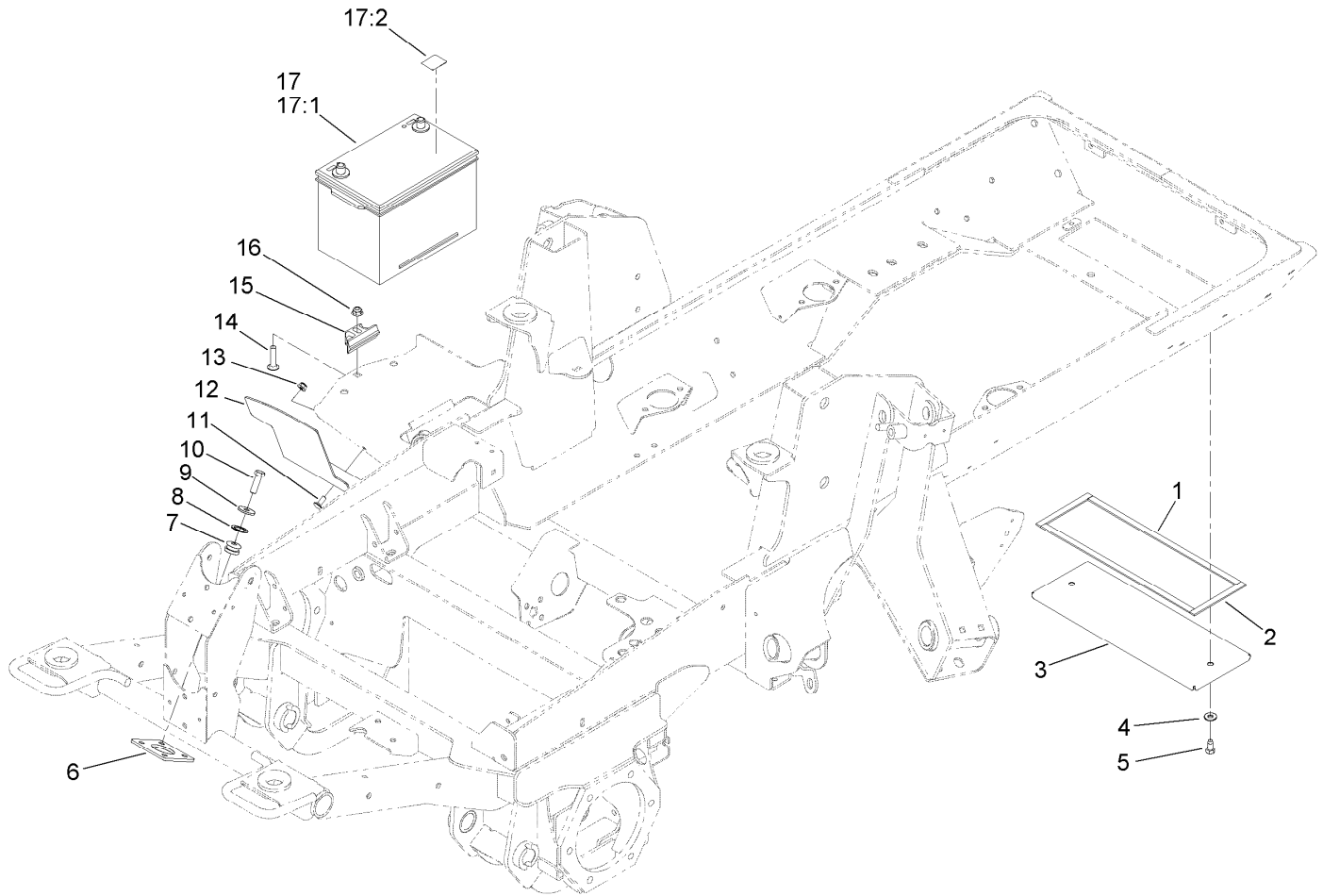
Brake Assembly No. 100-3070-03

| <i>Ref.</i> | <i>Part Number</i> | <i>Qty.</i> | <i>Description</i> |
|-------------|--------------------|-------------|--------------------|
| 2 | 93-7977 | 1 | Seal |
| 3 | 93-7978 | 1 | Rod-Pull |
| 4 | 93-7983 | 2 | Pin-Clevis |
| 5 | 93-7980 | 2 | Link |
| 6 | 93-7979 | 2 | Pin-Hitch |
| 7 | 93-7986 | 4 | Disc-Stationary |
| 8 | 104-4278 | 3 | Disc-Rotating |
| 9 | 93-7976 | 1 | Ring-Retaining |
| 10 | 93-7984 | 1 | Gasket |
| 11 | 104-4279 | 1 | Actuator-Rotating |
| 12 | 93-7987 | 3 | Spring-Extension |
| 13 | 93-7985 | 3 | Ball |
| 14 | 353-990 | 2 | Plug ASM |
| 14:1 | 237-78 | 1 | O-Ring |



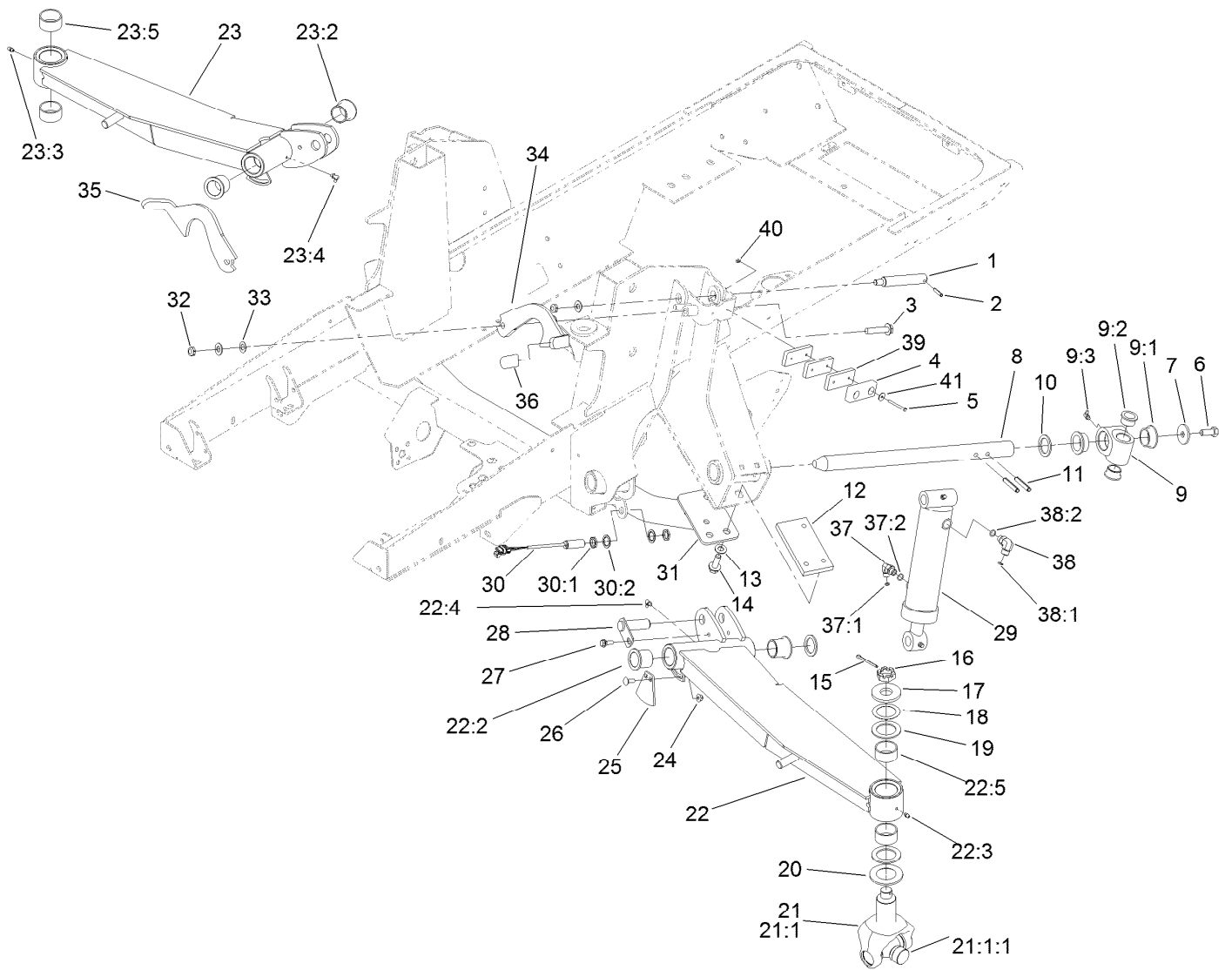
Brake Assembly No. 100-3069-03

| Ref. | Part Number | Qty. | Description |
|------|-------------|------|-------------------|
| 2 | 93-7977 | 1 | Seal |
| 3 | 93-7978 | 1 | Rod-Pull |
| 4 | 93-7983 | 2 | Pin-Clevis |
| 5 | 93-7980 | 2 | Link |
| 6 | 93-7979 | 2 | Pin-Hitch |
| 7 | 93-7986 | 4 | Disc-Stationary |
| 8 | 104-4278 | 3 | Disc-Rotating |
| 9 | 93-7976 | 1 | Ring-Retaining |
| 10 | 93-7984 | 1 | Gasket |
| 11 | 104-4280 | 1 | Actuator-Rotating |
| 12 | 93-7987 | 3 | Spring-Extension |
| 13 | 93-7985 | 3 | Ball |
| 14 | 353-990 | 2 | Plug ASM |
| 14:1 | 237-78 | 1 | O-Ring |



Battery, Rear Cover and Steer Valve Mount Assembly

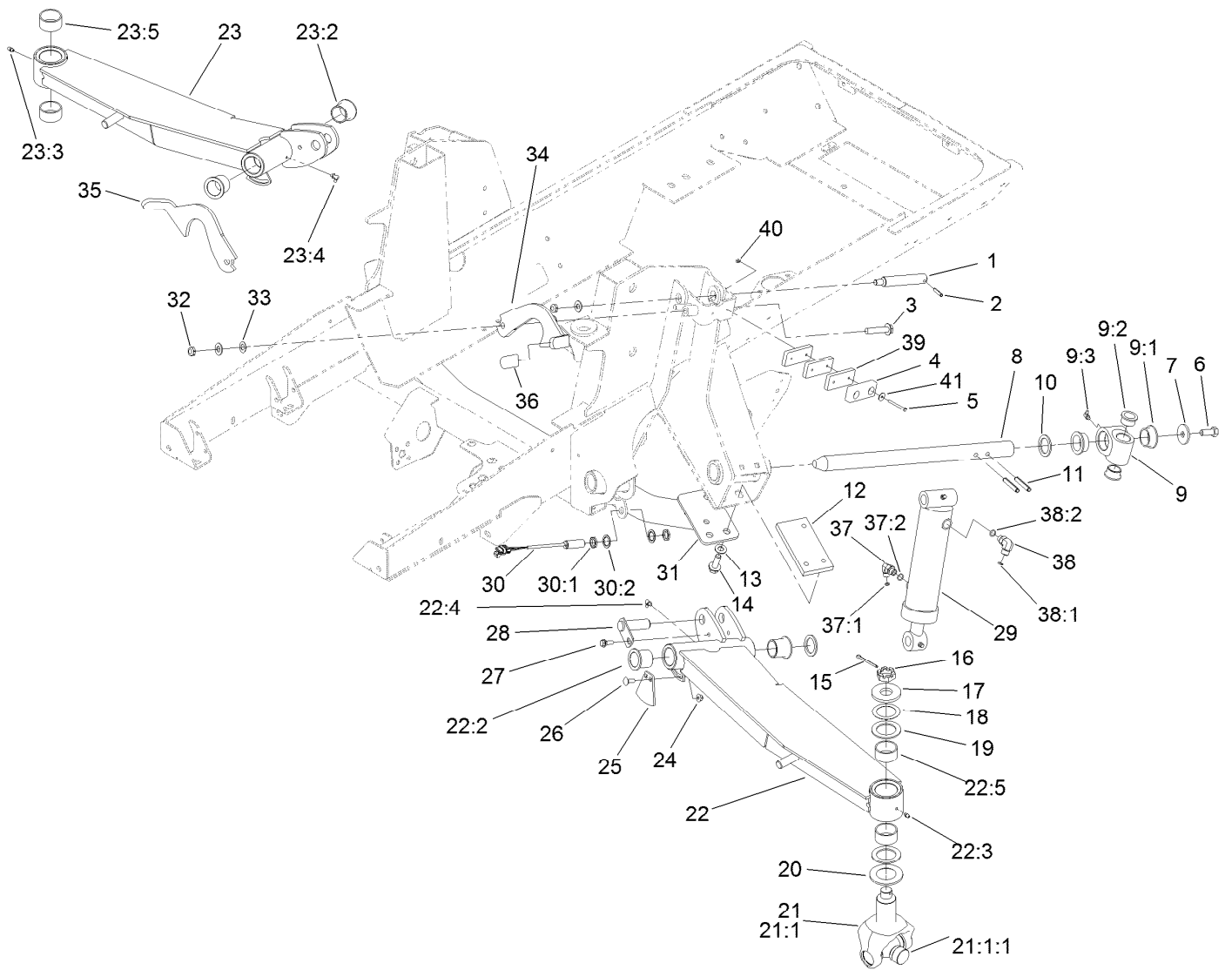
| <i>Ref.</i> | <i>Part Number</i> | <i>Qty.</i> | <i>Description</i> | <i>Ref.</i> | <i>Part Number</i> | <i>Qty.</i> | <i>Description</i> |
|-------------|--------------------|-------------|-----------------------|-------------|--------------------|-------------|--------------------|
| 1 | 105-0777 | 2 | Strip-Foam | 11 | 3230-23 | 2 | Screw-CARR |
| 2 | 105-0778 | 2 | Strip-Foam | 12 | 121-1512-03 | 1 | Shield-Battery |
| 3 | 104-2287-03 | 1 | Cover-Frame | 13 | 104-8300 | 2 | Nut-HF, NI |
| 4 | 3256-3 | 2 | Washer-Flat | 14 | 3231-5 | 1 | Screw-CARR |
| 5 | 32104-6 | 2 | Screw-HH, TAP | 15 | 138-6335 | 1 | Retainer-Battery |
| 6 | 120-4118-03 | 1 | Plate-Mounting, Valve | 16 | 104-8301 | 1 | Nut-HF, NI |
| 7 | 63-9750 | 4 | Mount | 17 | 139-1005 | 1 | Battery Kit |
| 8 | 1-303352 | 4 | Washer-Spindle | 17:1 | 127-7507 | 1 | Battery |
| 9 | 63-8410 | 4 | Washer | 17:2 | 139-1006 | 1 | Decal |
| 10 | 33115-035 | 4 | Screw-HH | | | | |



Wing Lift Arm Assembly

| Ref. | Part Number | Qty. | Description | Ref. | Part Number | Qty. | Description |
|------|-------------|------|-----------------------|--------|-------------|------|-----------------------|
| 1 | 104-3537 | 2 | Pin-Cylinder | 16 | 99-3139 | 2 | Nut-Slotted |
| 2 | 32121-9 | 2 | Pin-Roll, Slotted | 17 | 104-0719 | 2 | Washer-Hardened |
| 3 | 3234-46 | 2 | Screw-HHF | 18 | 114-5641 | 2 | Washer-Thrust |
| 4 | 86-5350 | 2 | Bumper-Rubber | 19 | 104-0721 | 4 | Washer-Thrust |
| 5 | 32105-20 | 4 | Screw-HH | 20 | 104-0720 | 2 | Spacer |
| 6 | 325-5 | 2 | Screw-HH | 21 | 114-5640-03 | 2 | Joint Yoke ASM |
| 7 | 106-2008 | 2 | Washer-Thrust | 21:1 | | 1 | Yoke-Joint ● |
| 8 | 121-3882 | 2 | Shaft-Pivot, Lift Arm | 21:1:1 | 104-4299 | 1 | Cross And Bearing Kit |
| 9 | 115-5468 | 2 | Pivot Hub ASM | 22 | 119-0089 | 1 | LH Lift Arm ASM |
| 9:1 | 115-5469 | 2 | Bushing-Flange | 22:2 | 69-6470 | 2 | Bushing-Caster |
| 9:2 | 114-5680 | 2 | Bushing-Flange | 22:3 | 302-5 | 1 | Fitting-Grease |
| 9:3 | 302-60 | 1 | Fitting-Grease | 22:4 | 302-60 | 1 | Fitting-Grease |
| 10 | 256-304 | 4 | Washer-Thrust | 22:5 | 114-5596 | 2 | Bushing-Straight |
| 11 | 117-5479 | 4 | Pin-Spring | 23 | 119-0087 | 1 | RH Lift Arm ASM |
| 12 | 120-8859-03 | 2 | Block-Tapped | 23:2 | 69-6470 | 2 | Bushing-Caster |
| 13 | 3256-26 | 10 | Washer-Flat | 23:3 | 302-5 | 1 | Fitting-Grease |
| 14 | 100-6116 | 6 | Screw-HHF | 23:4 | 302-60 | 1 | Fitting-Grease |
| 15 | 3272-25 | 2 | Pin-Cotter | 23:5 | 114-5596 | 2 | Bushing-Straight |

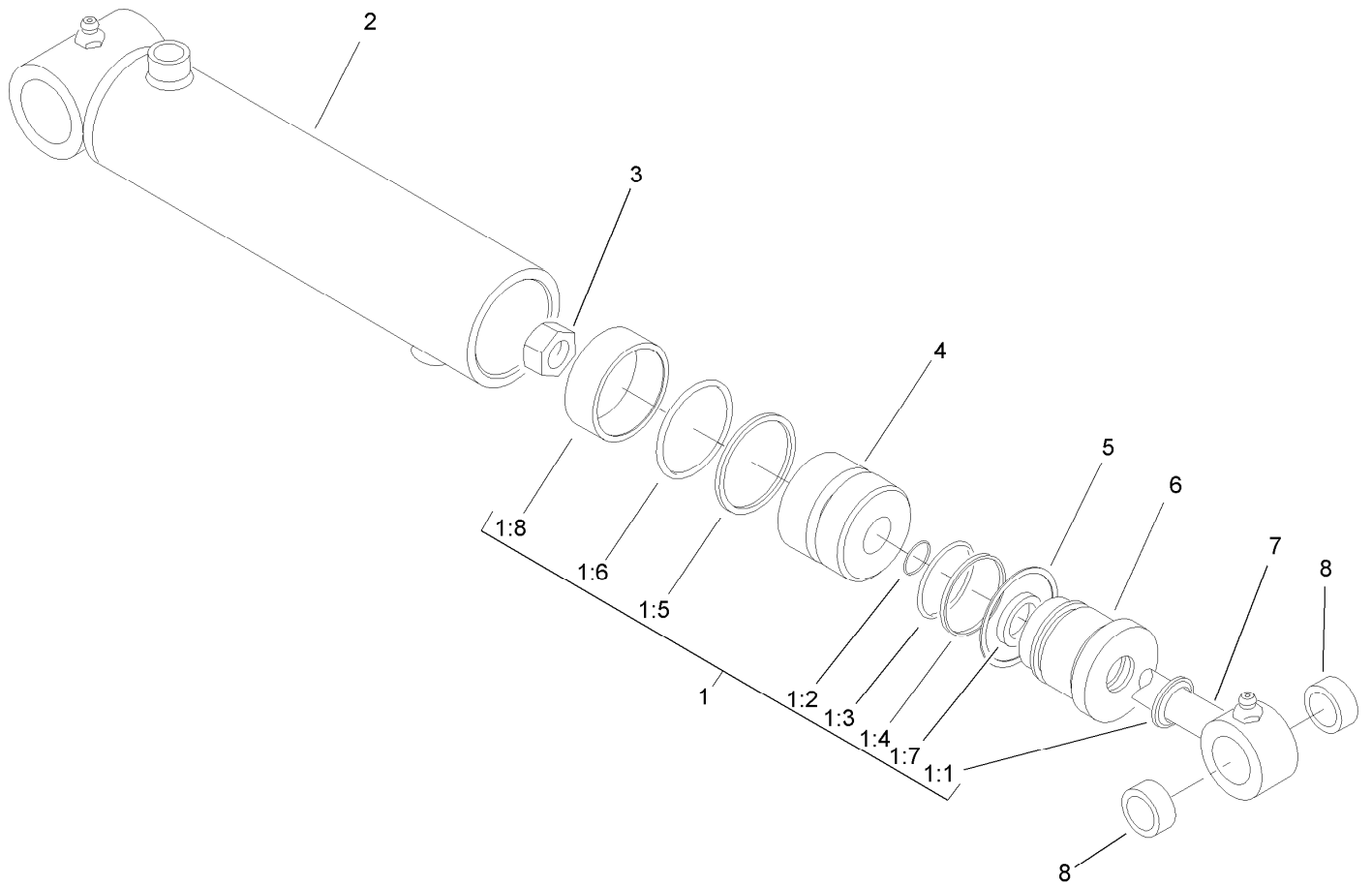
● Not serviced separately



Wing Lift Arm Assembly (continued)

| Ref. | Part Number | Qty. | Description | Ref. | Part Number | Qty. | Description |
|------|-------------|------|-----------------------------|------|-------------|------|-----------------------|
| 24 | 104-8300 | 6 | Nut-HF, NI | 34 | 130-5640-03 | 1 | Latch-Deck, LH |
| 25 | 119-0077 | 2 | Plate-Sensing, Wing | 35 | 130-5641-03 | 1 | Latch-Deck, RH |
| 26 | 3230-16 | 4 | Screw-CARR | 36 | 48-7081 | 2 | Grip-Plastic |
| 27 | 27-0410 | 2 | Screw-Shoulder | 37 | 340-82 | 2 | Fitting-Elbow, 90 DEG |
| 28 | 100-5674 | 2 | Pin | 37:1 | 237-42 | 1 | O-Ring |
| 29 | 107-4303 | 2 | HYD Cylinder ASM | 37:2 | 237-21 | 1 | O-Ring |
| 30 | 115-5300 | 2 | Proximity Switch ASM | 38 | 340-77 | 2 | Fitting-Elbow, 90 DEG |
| 30:1 | 117-3207 | 2 | Nut-Hex | 38:1 | 237-22 | 1 | O-Ring |
| 30:2 | 117-3208 | 2 | Washer-Lock, Internal Tooth | 38:2 | 237-42 | 1 | O-Ring |
| 31 | 120-9000-03 | 1 | Crossmember | 39 | 119-8308-03 | 6 | Plate |
| 32 | 3296-45 | 4 | Nut-Hex | 40 | 3296-2 | 4 | Nut-Lock, NI |
| 33 | 104-3577 | 4 | Washer | 41 | 3256-61 | 4 | Washer-Flat |

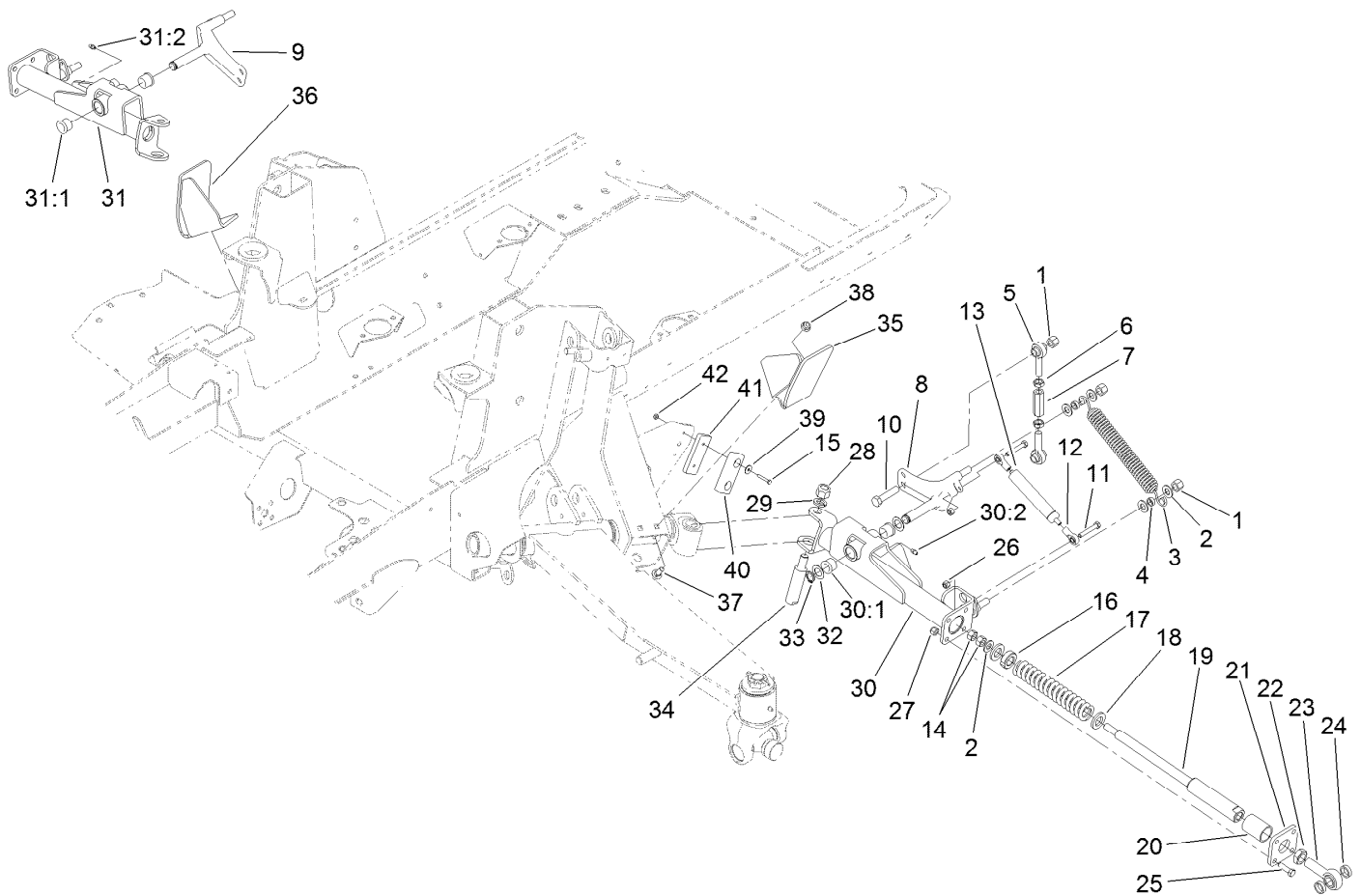
● Not serviced separately



Hydraulic Cylinder Assembly No. 107-4303

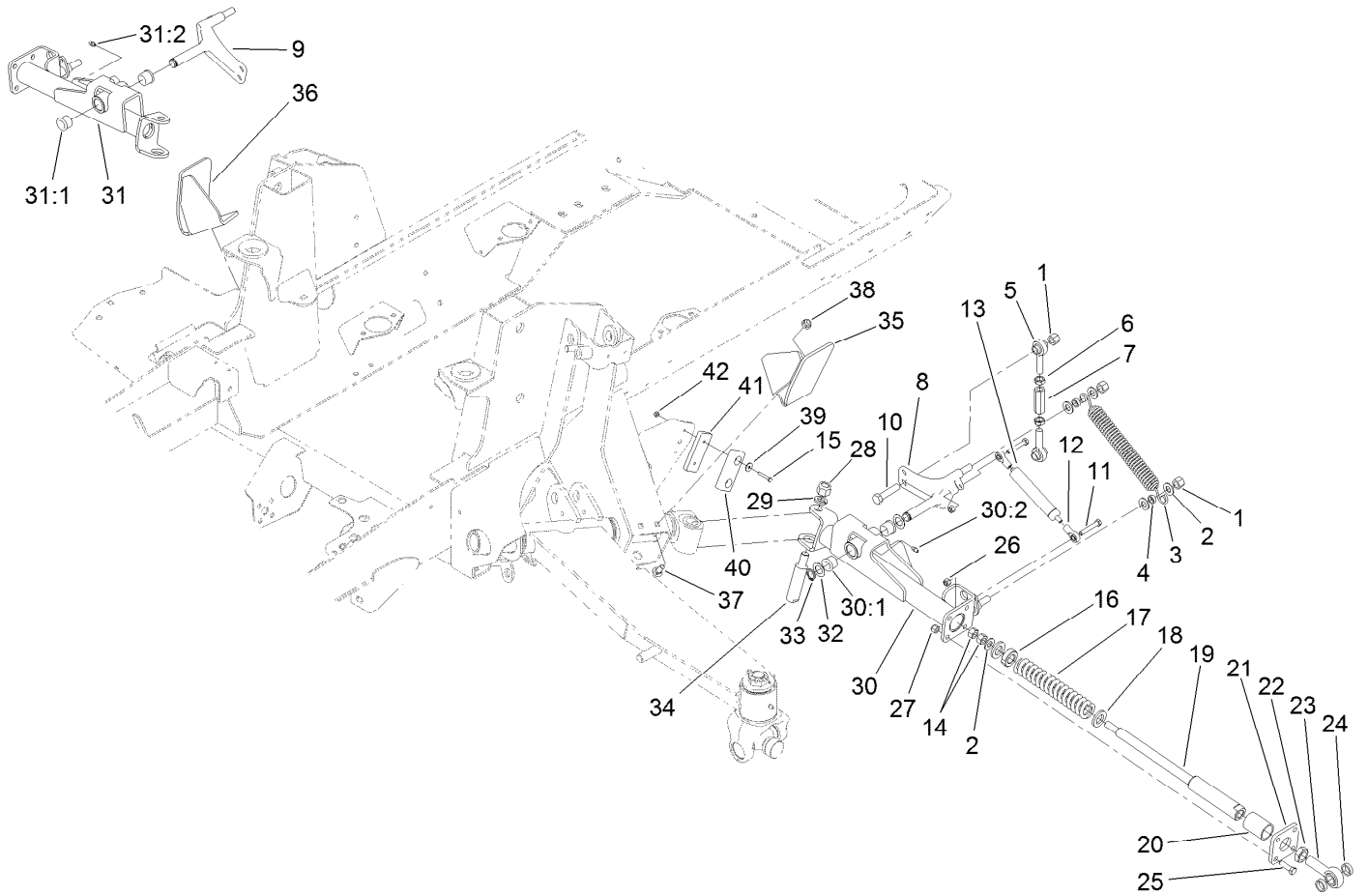
| Ref. | Part Number | Qty. | Description |
|------|-------------|------|-------------------|
| 1 | 107-0249 | 1 | Seal Kit |
| 1:1 | | 1 | Wiper ● |
| 1:2 | | 1 | O-Ring ● |
| 1:3 | | 1 | O-Ring ● |
| 1:4 | | 1 | Back-Up ● |
| 1:5 | | 1 | Seal ● |
| 1:6 | | 1 | O-Ring ● |
| 1:7 | | 1 | Seal ● |
| 1:8 | | 1 | Wear Ring ● |
| 2 | | 1 | Barrel ASM ● |
| 3 | | 1 | Locknut ● |
| 4 | | 1 | Piston ● |
| 5 | | 1 | Ring, Retaining ● |
| 6 | | 1 | Head ● |
| 7 | | 1 | Rod ASM ● |
| 8 | 104-4281 | 2 | Bushing |

● Not serviced separately



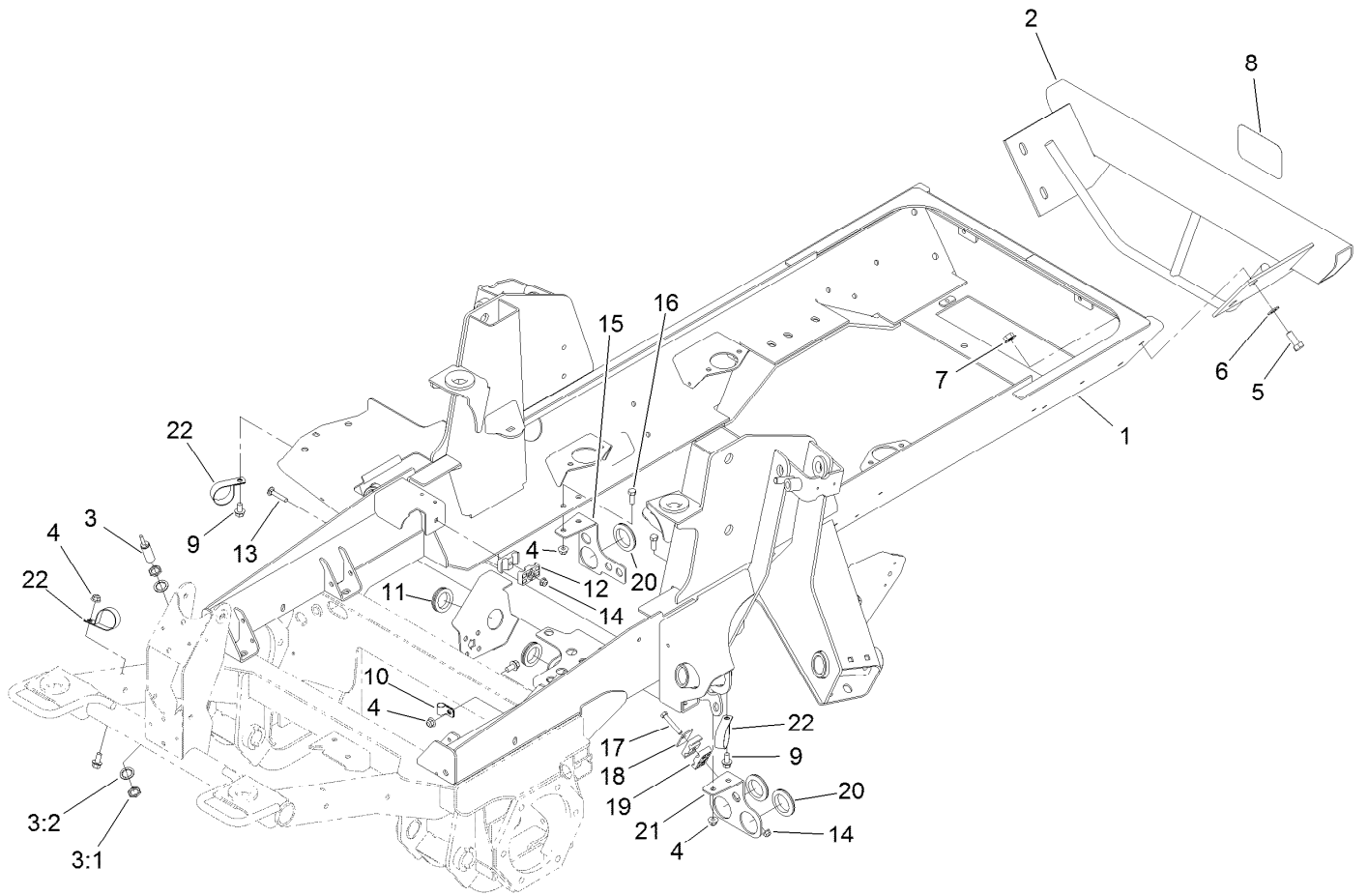
Impact Arm Assembly

| Ref. | Part Number | Qty. | Description | Ref. | Part Number | Qty. | Description |
|------|-------------|------|--------------------|------|-------------|------|--------------------|
| 1 | 3296-23 | 6 | Nut-Lock, NI | 22 | 3220-7 | 2 | Nut-Jam |
| 2 | 3256-26 | 10 | Washer-Flat | 23 | 105-2806 | 2 | End-Rod |
| 3 | 104-7520 | 2 | Spring-Damper | 24 | 105-0756 | 4 | Spacer |
| 4 | 104-7521 | 4 | Bushing | 25 | 323-7 | 8 | Screw-HH |
| 5 | 105-2808 | 4 | End-Rod | 26 | 3296-29 | 4 | Nut-Lock, NI |
| 6 | 3220-5 | 4 | Nut-Jam | 27 | 3296-39 | 8 | Nut-Lock, NI |
| 7 | 105-2809 | 2 | Tube-Link | 28 | 3296-53 | 2 | Nut-Lock, NI |
| 8 | 114-2717 | 1 | Crank-Bell, LH | 29 | 3253-8 | 2 | Washer-Lock |
| 9 | 114-2716 | 1 | Crank-Bell, RH | 30 | 120-8884 | 1 | LH Rear Arm ASM |
| 10 | 325-9 | 2 | Screw-HH | 30:1 | 256-113 | 2 | Bushing-Flange |
| 11 | 322-10 | 4 | Screw-HH | 30:2 | 302-5 | 1 | Fitting-Grease |
| 12 | 104-8331 | 4 | End-Rod, Spherical | 31 | 120-8883 | 1 | RH Rear Arm ASM |
| 13 | 105-3249 | 2 | Damper | 31:1 | 256-113 | 2 | Bushing-Flange |
| 14 | 3217-9 | 4 | Nut-HH | 31:2 | 302-5 | 1 | Fitting-Grease |
| 15 | 3290-360 | 4 | Screw-HH | 32 | 3-6498 | 4 | Washer-Thrust |
| 16 | 105-4552 | 2 | Bearing-Plastic | 33 | 32120-93 | 2 | Ring-Retaining |
| 17 | 100-8138 | 2 | Spring-Compression | 34 | 104-2281 | 2 | Shaft-Pivot |
| 18 | 105-4551 | 4 | Washer-Flat | 35 | 120-8856-03 | 1 | Bracket-Roller, LH |
| 19 | 105-4548 | 2 | Shaft-Spring | 36 | 120-8874-03 | 1 | Bracket-Roller, RH |
| 20 | 105-4550 | 2 | Bushing-Straight | 37 | 3231-2 | 4 | Bolt-CARR |
| 21 | 105-2807-03 | 2 | Plate | 38 | 104-8301 | 4 | Nut-HF, NI |



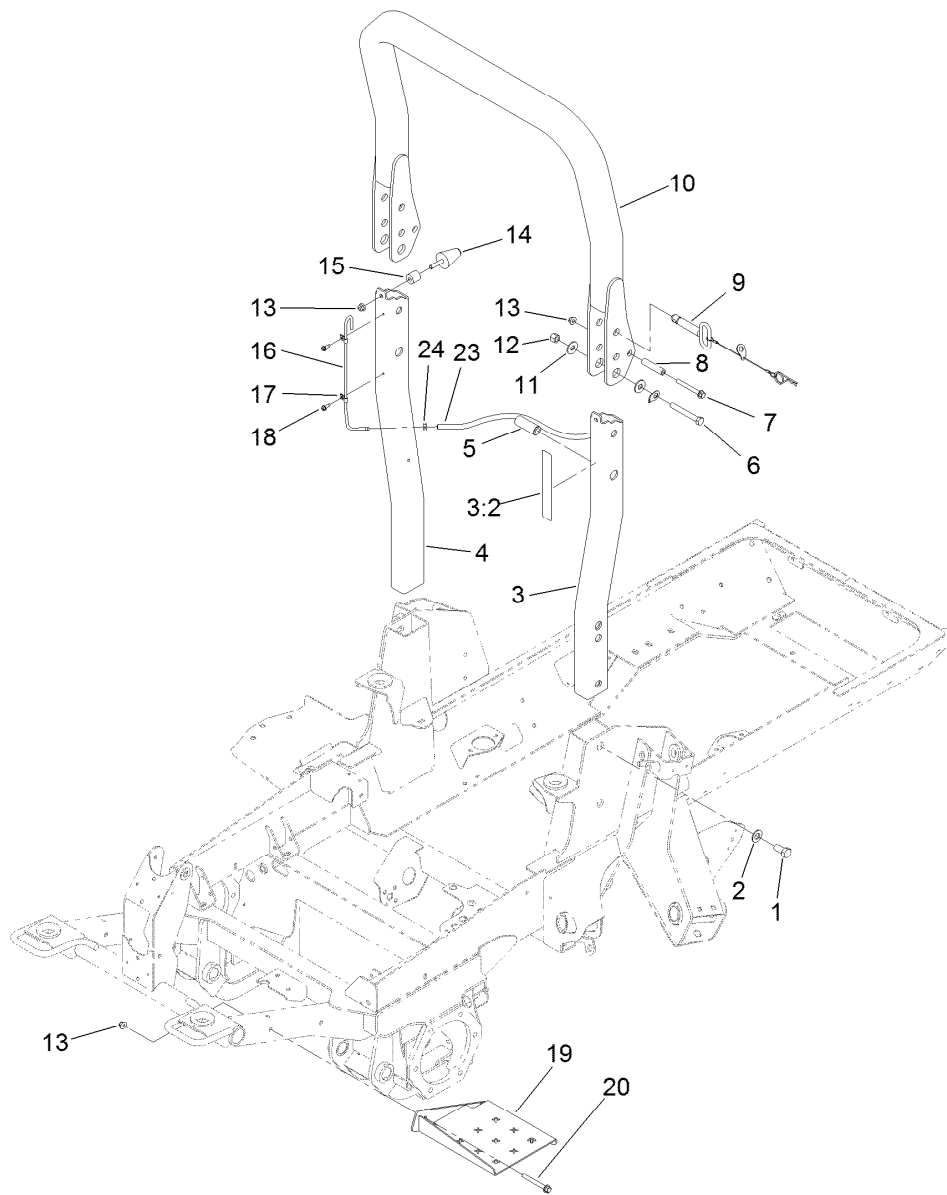
Impact Arm Assembly (continued)

| <i>Ref.</i> | <i>Part Number</i> | <i>Qty.</i> | <i>Description</i> | <i>Ref.</i> | <i>Part Number</i> | <i>Qty.</i> | <i>Description</i> |
|-------------|--------------------|-------------|--------------------|-------------|--------------------|-------------|--------------------|
| 39 | 3256-61 | 4 | Washer-Flat | 41 | 119-8308-03 | 2 | Plate |
| 40 | 86-5350 | 2 | Bumper-Rubber | 42 | 3296-2 | 4 | Nut-Lock, NI |



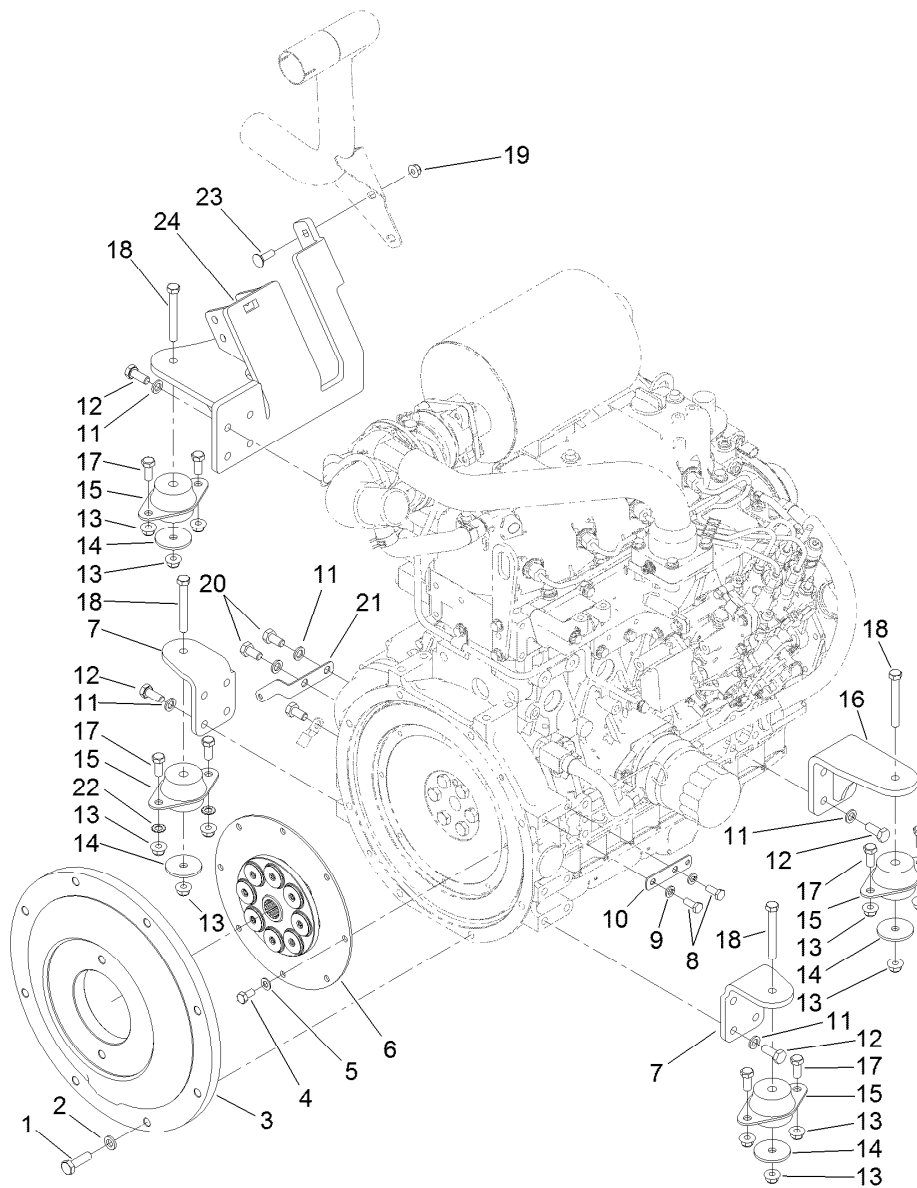
Frame, Bumper and Proximity Sensor Assembly

| <i>Ref.</i> | <i>Part Number</i> | <i>Qty.</i> | <i>Description</i> | <i>Ref.</i> | <i>Part Number</i> | <i>Qty.</i> | <i>Description</i> |
|-------------|--------------------|-------------|-----------------------------|-------------|--------------------|-------------|----------------------------|
| 1 | 120-4010-03 | 1 | Frame | 11 | 240-7 | 2 | Grommet-Rubber |
| 2 | 120-8919-03 | 1 | Bumper | 12 | 56-7971 | 2 | Clamp-Tube |
| 3 | 115-0282 | 1 | Proximity Sensor ASM | 13 | 3230-5 | 1 | Bolt-CARR |
| 3:1 | 117-3207 | 2 | Nut-Hex | 14 | 104-8300 | 2 | Nut-HF, NI |
| 3:2 | 117-3208 | 2 | Washer-Lock, Internal Tooth | 15 | 121-1508-03 | 1 | Bracket-Bulkhead |
| 4 | 104-8301 | 6 | Nut-HF, NI | 16 | 323-6 | 4 | Screw-HH |
| 5 | 325-5 | 4 | Screw-HH | 17 | 322-10 | 1 | Screw-HH |
| 6 | 3256-26 | 4 | Washer-Flat | 18 | 69-9760 | 1 | Plate-Cover |
| 7 | 32128-23 | 4 | Nut-HF | 19 | 56-7976 | 2 | Clamp-Tube |
| 8 | 105-8278 | 1 | Decal | 20 | 240-2 | 3 | Grommet-Rubber |
| 9 | 3234-1 | 4 | Screw-HHF | 21 | 121-1481-03 | 1 | Plate-Mount, Bulkhead (LH) |
| 10 | 2412-138 | 1 | R-Clamp | 22 | 2412-147 | 3 | Clamp-R |



ROPS and Step Assembly

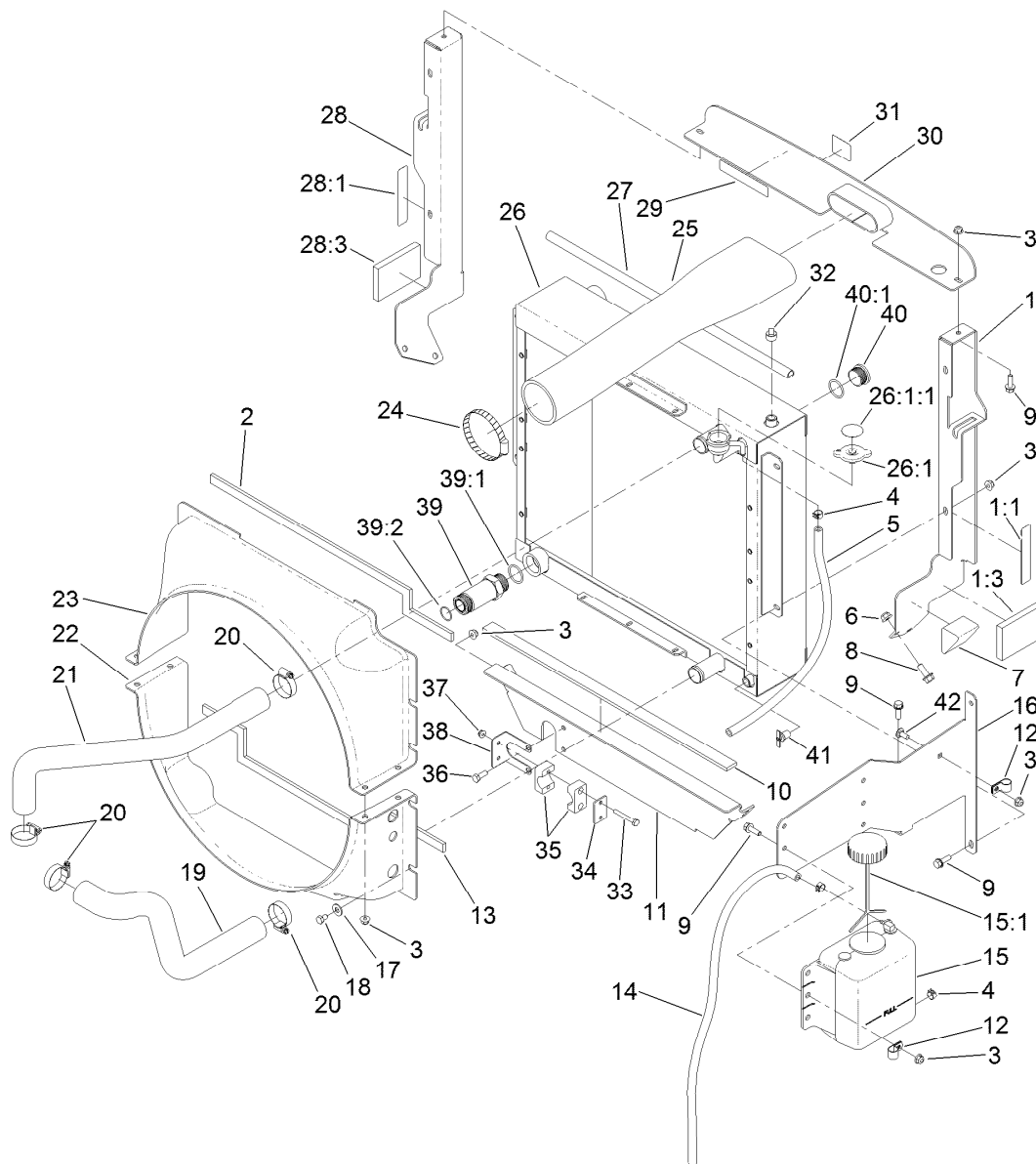
| <i>Ref.</i> | <i>Part Number</i> | <i>Qty.</i> | <i>Description</i> | <i>Ref.</i> | <i>Part Number</i> | <i>Qty.</i> | <i>Description</i> |
|-------------|--------------------|-------------|--------------------|-------------|--------------------|-------------|------------------------|
| 1 | 121-1658 | 4 | Screw-HH | 12 | 3296-23 | 2 | Nut-Lock, NI |
| 2 | 3256-27 | 4 | Washer-Flat | 13 | 104-8301 | 6 | Nut-HF, NI |
| 3 | 121-1744 | 1 | Left ROPS ASM | 14 | 121-1604 | 2 | Bumper-Rubber |
| 3:2 | 120-8947 | 1 | Decal-Danger, ROPS | 15 | 61-2220 | 2 | Spacer |
| 4 | 121-1632-03 | 1 | ROPS-Lower, RH | 16 | 121-1638 | 1 | Tube-Vent |
| 5 | 121-1660 | 2 | Spacer | 17 | 2412-72 | 2 | Clip-Closed, Insulated |
| 6 | 325-35 | 2 | Screw-HH | 18 | 32104-95 | 2 | Screw-HWH |
| 7 | 3234-41 | 2 | Screw-HHF | 19 | 120-9020-03 | 1 | Step |
| 8 | 106-0877 | 2 | Spacer-Shield | 20 | 3234-41 | 2 | Screw-HHF |
| 9 | 121-1629 | 2 | ROPS Fold Pin ASM | 23 | 110-5701 | 1 | Hose-Fuel |
| 10 | 121-1642 | 1 | ROPS-Upper | 24 | 2412-98 | 1 | Clamp-Hose |
| 11 | 3256-6 | 4 | Washer-Flat | | | | |



Flywheel and Motor Mount Assembly

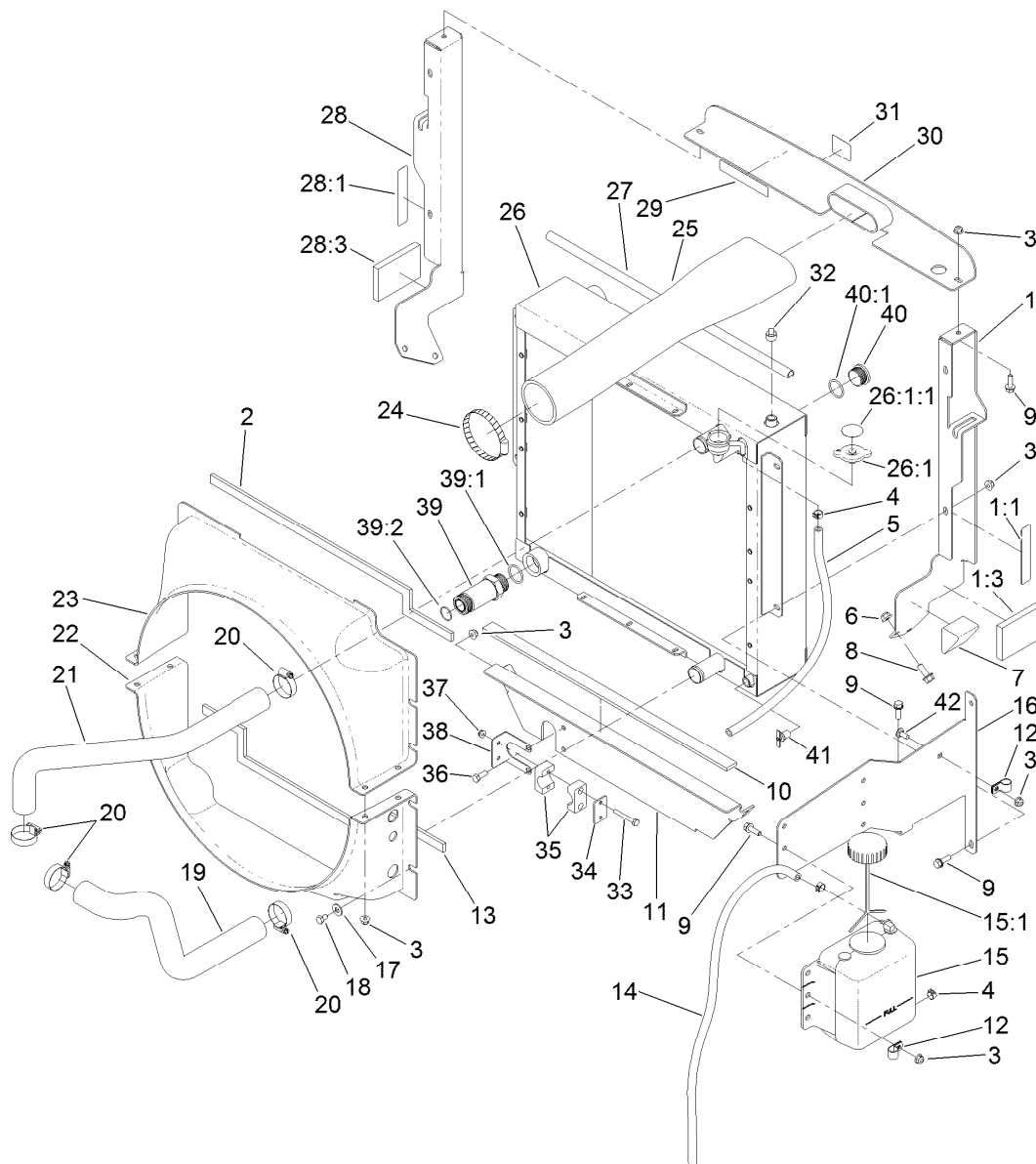
| Ref. | Part Number | Qty. | Description |
|------|-------------|------|---------------------------|
| 1 | 117-5663 | 8 | Screw-HH |
| 2 | 107-1413 | 8 | Washer-Hardened |
| 3 | 115-6657-03 | 1 | Plate-Flywheel |
| 4 | 99-5132 | 8 | Bolt |
| 5 | 87-7510 | 8 | Washer-Flat |
| 6 | 120-4176 | 1 | Coupling-Spring, Flywheel |
| 7 | 120-4066-03 | 2 | Mount-Motor, Front |
| 8 | 33114-020 | 2 | Screw-HH |
| 9 | 3253-4 | 2 | Washer-Lock |
| 10 | 121-5636 | 1 | Tab-Harness |
| 11 | 48-9590 | 18 | Washer-Lock |
| 12 | 33115-025 | 16 | Screw-HH |

| Ref. | Part Number | Qty. | Description |
|------|-------------|------|-----------------|
| 13 | 104-8301 | 12 | Nut-HF, NI |
| 14 | 63-7400 | 4 | Washer-Rebound |
| 15 | 53-9682 | 4 | Mount-Engine |
| 16 | 120-4068-03 | 1 | Mount-Motor |
| 17 | 323-5 | 8 | Screw-HH |
| 18 | 323-14 | 4 | Screw-HH |
| 19 | 104-8300 | 2 | Nut-HF, NI |
| 20 | 33115-020 | 3 | Screw-HH |
| 21 | 121-6580 | 1 | Bracket-Harness |
| 22 | 3255-9 | 2 | Washer-Lock |
| 23 | 3230-2 | 2 | Bolt-CARR |
| 24 | 127-3722-03 | 1 | Mount-Motor |



Radiator and Fan Assembly

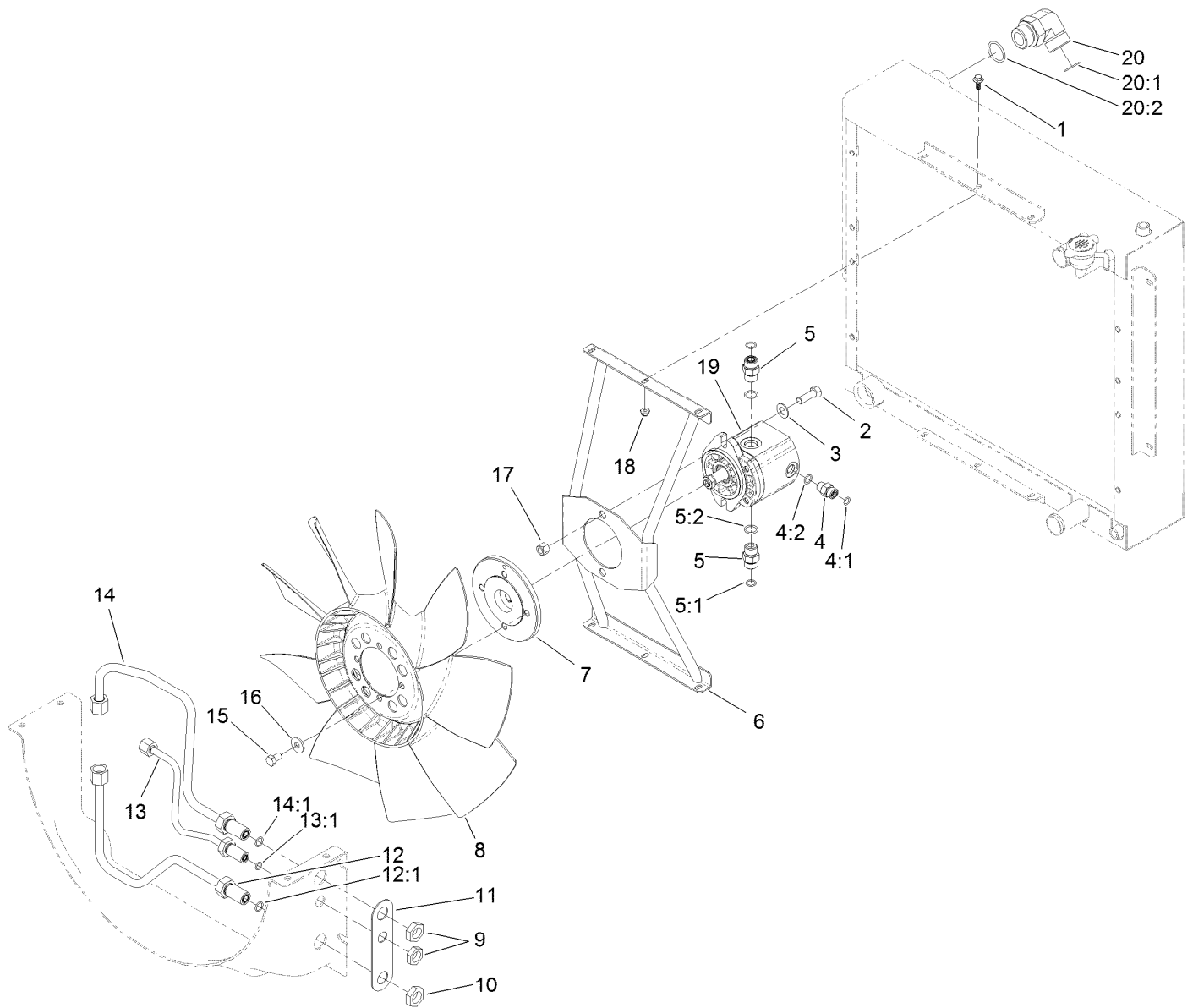
| Ref. | Part Number | Qty. | Description | Ref. | Part Number | Qty. | Description |
|------|-------------|------|-------------------------|--------|-------------|------|-------------------------|
| 1 | 121-1479 | 1 | LH Radiator Support ASM | 19 | 121-1746 | 1 | Hose-Radiator, Lower |
| 1:1 | 93-7272 | 1 | Decal-Warning | 20 | 2412-111 | 4 | Clamp |
| 1:3 | 100-2196 | 1 | Pad-Foam | 21 | 121-1747 | 1 | Hose-Radiator, Upper |
| 2 | 121-1684 | 1 | Foam-Radiator | 22 | 121-1517 | 1 | Shroud-Radiator, Lower |
| 3 | 104-8300 | 13 | Nut-HF, NI | 23 | 121-1515 | 1 | Shroud-Radiator, Upper |
| 4 | 92-2379 | 3 | Clamp-Hose | 24 | 2412-110 | 1 | Clamp-Band/Screw |
| 5 | 110-4112 | 1 | Hose-Fuel | 25 | 121-1474 | 1 | Hose-Inlet, Air Cleaner |
| 6 | 104-8301 | 6 | Nut-HF, NI | 26 | 121-3080 | 1 | Radiator/Oil Cooler |
| 7 | 93-5954 | 2 | Plug-Foam | 26:1 | 115-7766 | 1 | Cap-Radiator |
| 8 | 3234-11 | 6 | Screw-HHF | 26:1:1 | 106-6755 | 1 | Decal-Cap, Radiator |
| 9 | 3234-29 | 12 | Screw-HHF | 27 | 114-3828 | 1 | Seal-Bulb |
| 10 | 104-2226 | 1 | Strip-Foam | 28 | 121-1478 | 1 | RH Radiator Support ASM |
| 11 | 120-8968-03 | 1 | Bracket-Hose | 28:1 | 93-7272 | 1 | Decal-Warning |
| 12 | 92-6064 | 2 | Clamp-R | 28:3 | 100-2196 | 1 | Pad-Foam |
| 13 | 121-1685 | 1 | Foam-Radiator, Lower | 29 | 93-7272 | 1 | Decal-Warning |
| 14 | 110-9662 | 1 | Hose-Fuel | 30 | 120-9025-03 | 1 | Bracket-Intake |
| 15 | 120-5571 | 1 | Coolant Reservoir ASM | 31 | 93-7275 | 1 | Decal-Fluid, Starting |
| 15:1 | 87-7050 | 1 | Cap-Reservoir | 32 | 281-13 | 1 | Plug-Pipe |
| 16 | 130-0603-03 | 1 | Bracket-Mount, Bottle | 33 | 321-11 | 2 | Screw-HH |
| 17 | 3256-3 | 8 | Washer-Flat | 34 | 114-4902 | 1 | Plate-Cover |
| 18 | 322-1 | 8 | Screw-HH | 35 | 114-4901 | 1 | Clamp |



Radiator and Fan Assembly (continued)

| <i>Ref.</i> | <i>Part Number</i> | <i>Qty.</i> | <i>Description</i> |
|-------------|--------------------|-------------|--------------------|
| 36 | 322-4 | 2 | Screw-HH |
| 37 | 104-7201 | 2 | Nut-HF |
| 38 | 120-8984 | 1 | Bracket-Clamp |
| 39 | 100-5565 | 1 | Fitting-STR |
| 39:1 | 237-146 | 1 | O-Ring |

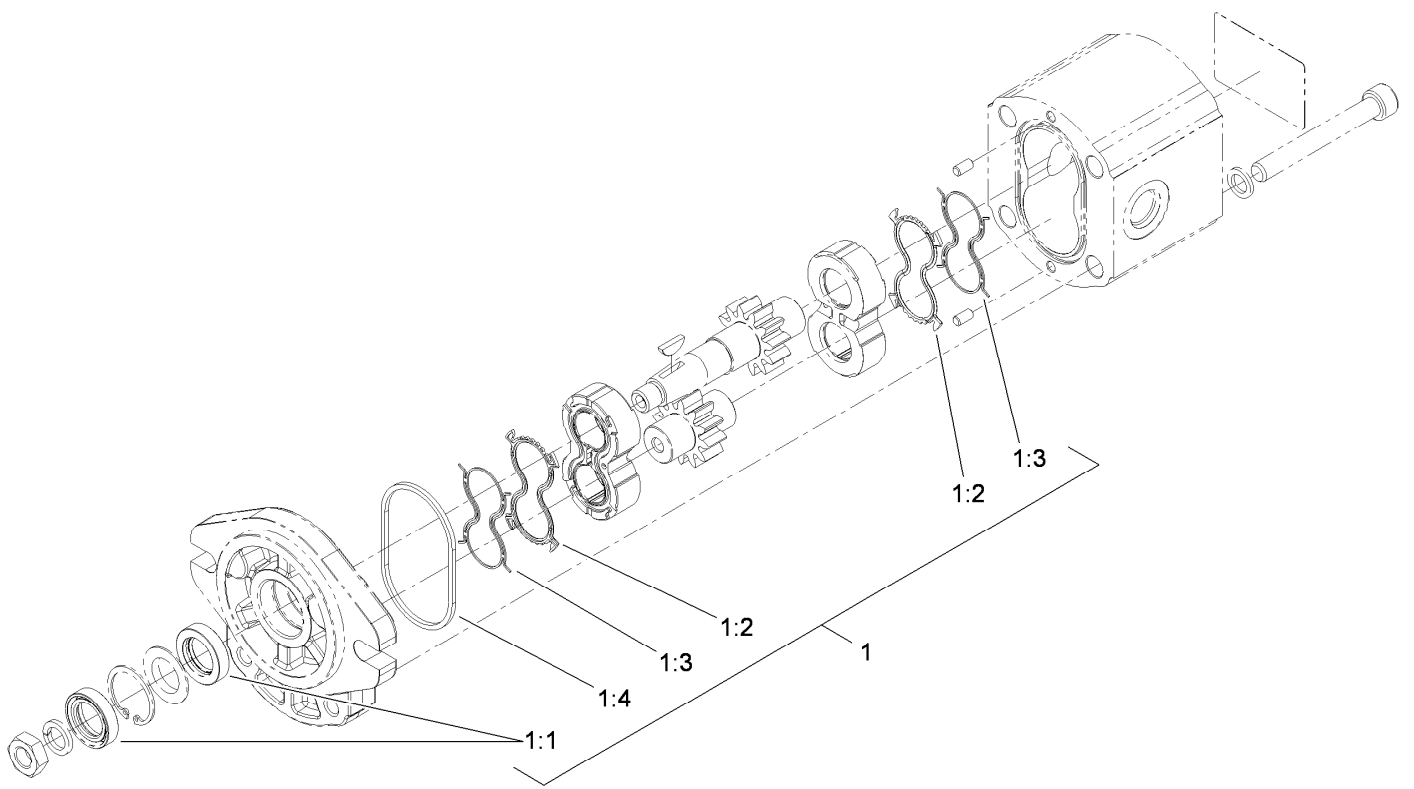
| <i>Ref.</i> | <i>Part Number</i> | <i>Qty.</i> | <i>Description</i> |
|-------------|--------------------|-------------|--------------------|
| 39:2 | 340-65 | 1 | O-Ring |
| 40 | 106-2030 | 1 | Plug-Hex, Hollow |
| 40:1 | 237-146 | 1 | O-Ring |
| 41 | 304-46 | 1 | Draincock |
| 42 | 3230-23 | 1 | Screw-CARR |



Fan Mounting and Hardline Assembly

| Ref. | Part Number | Qty. | Description |
|------|-------------|------|------------------|
| 1 | 99-6810 | 6 | Screw-HHF |
| 2 | 324-5 | 2 | Screw-HH |
| 3 | 3256-25 | 2 | Washer-Flat |
| 4 | 340-2 | 1 | Fitting-Straight |
| 4:1 | 237-22 | 1 | O-Ring |
| 4:2 | 237-42 | 1 | O-Ring |
| 5 | 340-4 | 2 | Fitting-Straight |
| 5:1 | 237-30 | 1 | O-Ring |
| 5:2 | 237-79 | 1 | O-Ring |
| 6 | 120-8935-03 | 1 | Bracket-Fan |
| 7 | 117-2364 | 1 | Hub-Fan |
| 8 | 114-3825 | 1 | Fan |
| 9 | 340-70 | 1 | Nut-Lock |
| 10 | 340-127 | 2 | Nut-Bulkhead |
| 11 | 121-1518 | 1 | Shim-Support |

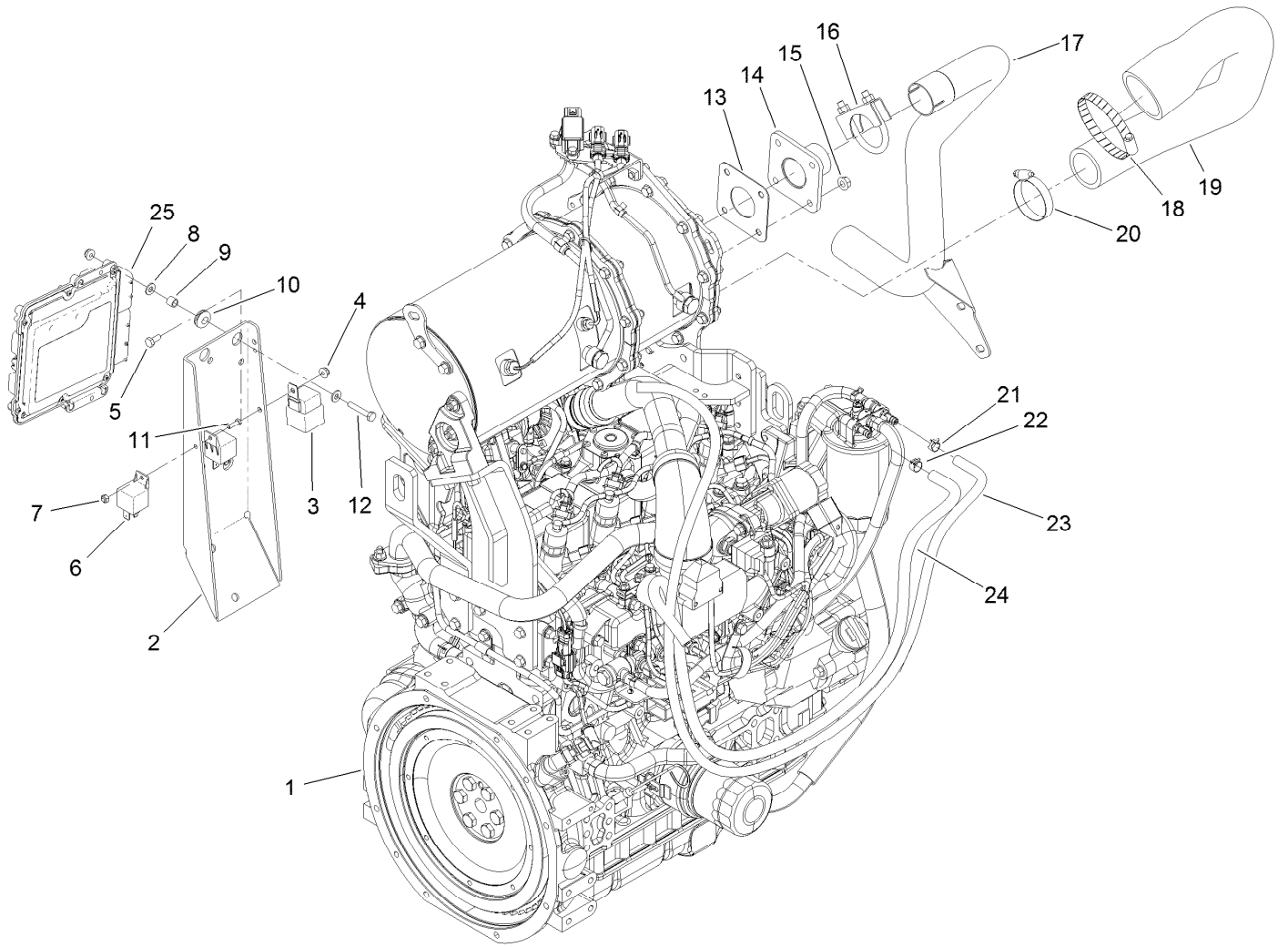
| Ref. | Part Number | Qty. | Description |
|------|-------------|------|-----------------------|
| 12 | 121-1554 | 1 | Tube-HYD |
| 12:1 | 237-30 | 1 | O-Ring |
| 13 | 121-1555 | 1 | Tube ASM |
| 13:1 | 237-22 | 1 | O-Ring |
| 14 | 121-1553 | 1 | Tube-HYD |
| 14:1 | 237-30 | 1 | O-Ring |
| 15 | 115-8486 | 4 | Screw-HH |
| 16 | 80-6990 | 4 | Washer-Hardened |
| 17 | 3296-48 | 2 | Nut-Hex |
| 18 | 104-7201 | 6 | Nut-HF |
| 19 | 117-4769 | 1 | HYD Motor ASM |
| 20 | 340-129 | 1 | Fitting-Elbow, 90 DEG |
| 20:1 | 237-146 | 1 | O-Ring |
| 20:2 | 340-65 | 1 | O-Ring |



Hydraulic Motor Assembly No. 117-4769

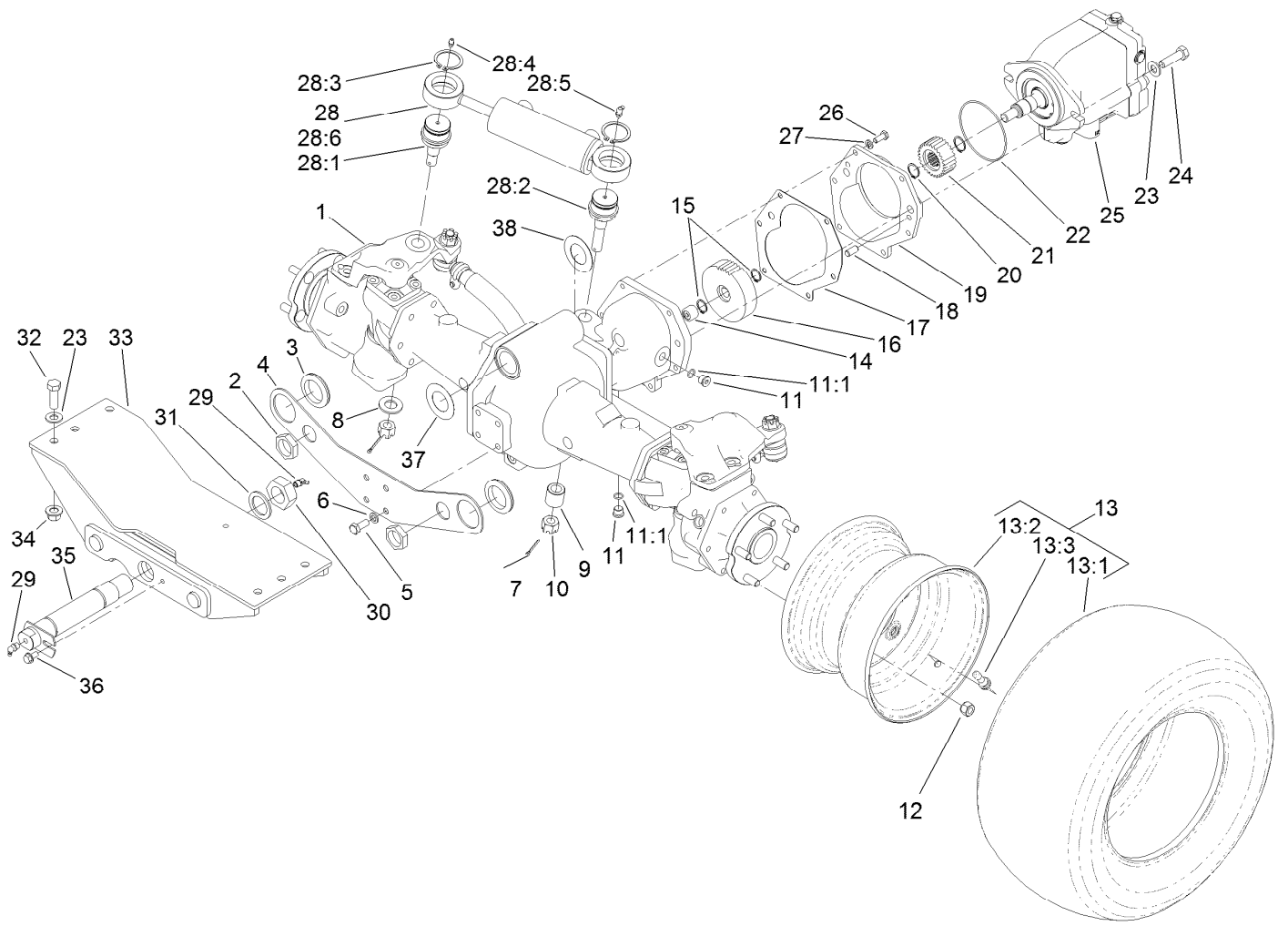
| <i>Ref.</i> | <i>Part Number</i> | <i>Qty.</i> | <i>Description</i> |
|-------------|--------------------|-------------|-------------------------|
| 1 | 115-4110 | 1 | Seal Kit |
| 1:1 | | 2 | Seal-Shaft ● |
| 1:2 | | 2 | Seal-Plate, Balancing ● |
| 1:3 | | 2 | Seal-Anti Extrusion ● |
| 1:4 | | 2 | O-Ring (Housing) ● |

● Not serviced separately



Engine and Controller Assembly

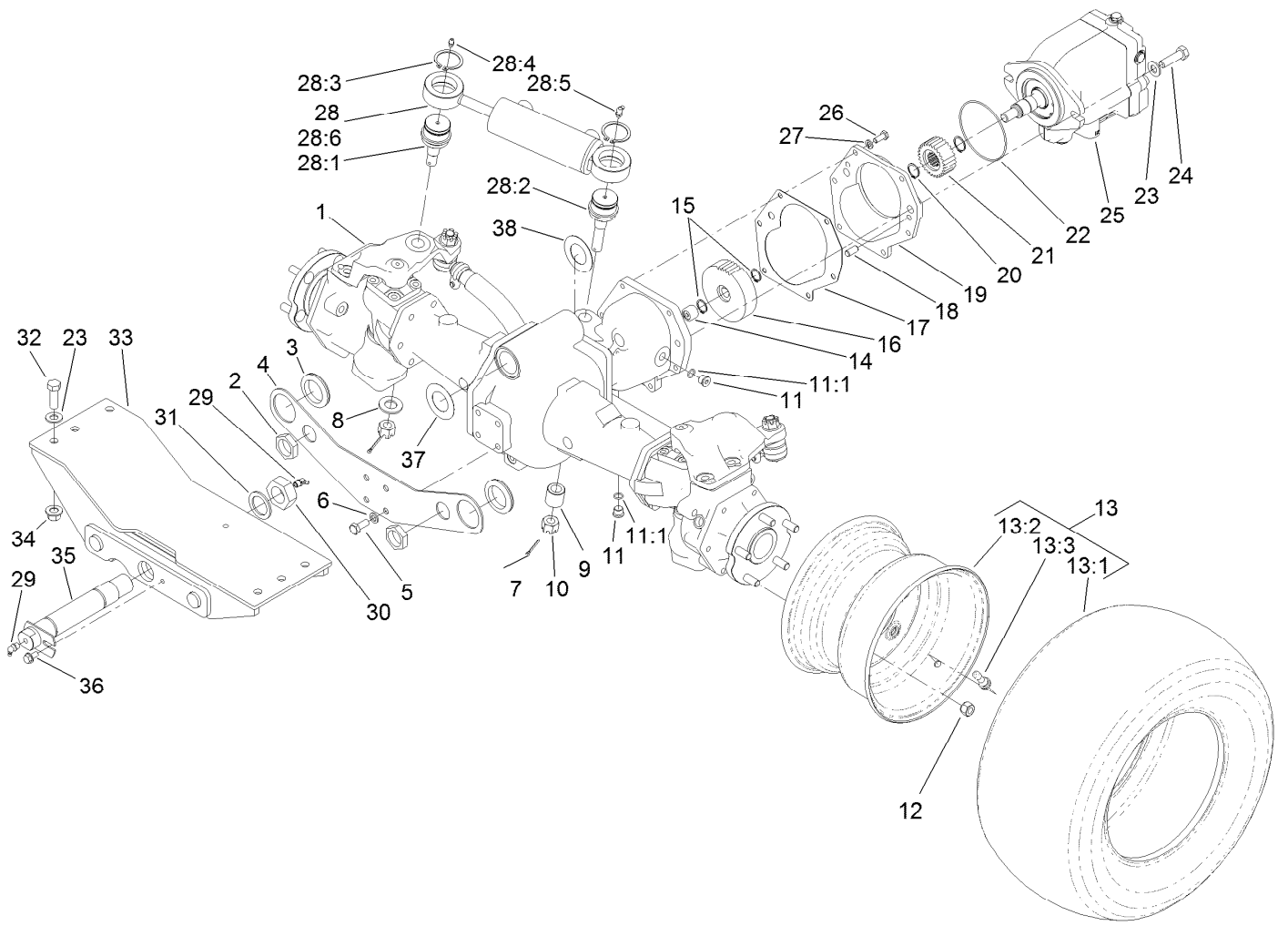
| <i>Ref.</i> | <i>Part Number</i> | <i>Qty.</i> | <i>Description</i> | <i>Ref.</i> | <i>Part Number</i> | <i>Qty.</i> | <i>Description</i> |
|-------------|--------------------|-------------|--------------------|-------------|--------------------|-------------|--------------------------|
| 1 | 120-4111 | 1 | Engine ASM | 14 | 121-3060 | 1 | Flange-Exhaust |
| 2 | 120-8916-03 | 1 | Mount-Controller | 15 | 33004-00 | 4 | Nut-HF |
| 3 | 99-7430 | 1 | Relay-Mini | 16 | 18-2130 | 1 | Clamp |
| 4 | 104-7201 | 5 | Nut-HF | 17 | 121-1613 | 1 | Pipe-Exhaust |
| 5 | 321-3 | 1 | Screw-HH | 18 | 2412-110 | 1 | Clamp-Band/Screw |
| 6 | 99-7435 | 2 | Relay | 19 | 121-1475 | 1 | Hose-Outlet, Air Cleaner |
| 7 | 3296-2 | 1 | Nut-Lock, NI | 20 | 2412-130 | 1 | Clamp-Hose |
| 8 | 3256-22 | 8 | Washer-Flat | 21 | 2412-98 | 1 | Clamp-Hose |
| 9 | 1-633545 | 4 | Spacer | 22 | 92-2379 | 1 | Clamp-Hose |
| 10 | 1-633630 | 4 | Grommet | 23 | 115-2368 | 1 | Hose-Fuel |
| 11 | 3290-134 | 1 | Screw | 24 | 110-4007 | 1 | Hose-Fuel |
| 12 | 321-9 | 4 | Screw-HH | 25 | 121-5592 | 1 | Electronic Control Unit |
| 13 | 121-3058 | 1 | Gasket-Exhaust | | | | |



Rear Axle and Steering Cylinder Assembly

| Ref. | Part Number | Qty. | Description | Ref. | Part Number | Qty. | Description |
|------|-------------|------|------------------------|------|-------------|------|--------------------------|
| 1 | 110-4750 | 1 | Drive Axle ASM | 15 | 32120-15 | 2 | Ring-Snap, EXT |
| 2 | 340-126 | 2 | Nut-Bulkhead | 16 | 100-3053 | 1 | Gear-45 Tooth |
| 3 | 240-2 | 2 | Grommet-Rubber | 17 | 106-1140 | 1 | Gasket |
| 4 | 120-9069-03 | 1 | Plate-Mount, Bulkhead | 18 | 104-2353 | 2 | Pin-Dowel |
| 5 | 43-0090 | 4 | Screw-HH | 19 | 95-7541 | 1 | Plate-Cover |
| 6 | 48-9590 | 4 | Washer-Lock | 20 | 32120-76 | 2 | Ring-Snap, EXT |
| 7 | 3272-12 | 2 | Pin-Cotter | 21 | 104-0755 | 1 | Pinion-27 Tooth |
| 8 | 92-5836 | 1 | Washer | 22 | 237-166 | 1 | O-Ring |
| 9 | 100-3796 | 1 | Spacer-Joint, Ball | 23 | 3256-26 | 8 | Washer-Flat |
| 10 | 32136-14 | 2 | Nut-Hst | 24 | 325-7 | 2 | Screw-HH |
| 11 | 353-989 | 2 | Plug-Hex, Hollow | 25 | 120-8814 | 1 | HYD Motor ASM |
| 11:1 | 237-42 | 1 | O-Ring | 26 | 33114-020 | 6 | Screw-HH |
| 12 | 93-5268 | 10 | Nut-Lug | 27 | 3253-4 | 6 | Washer-Lock |
| 13 | | 2 | Tire And Wheel ASM ● | 28 | 121-1535 | 1 | Steering Cylinder ASM |
| 13:1 | 120-8910 | 1 | Tire-Off Road | 28:1 | 106-6774 | 1 | Joint-Ball |
| 13:2 | 120-8909 | 1 | Rim | 28:2 | 100-3795 | 1 | Joint-Ball |
| 13:3 | 232-27 | 1 | Stem-Valve | 28:3 | 32151-104 | 2 | Ring-Retaining, External |
| 14 | 74-5700 | 1 | Bearing-Needle, Roller | 28:4 | 302-5 | 1 | Fitting-Grease |

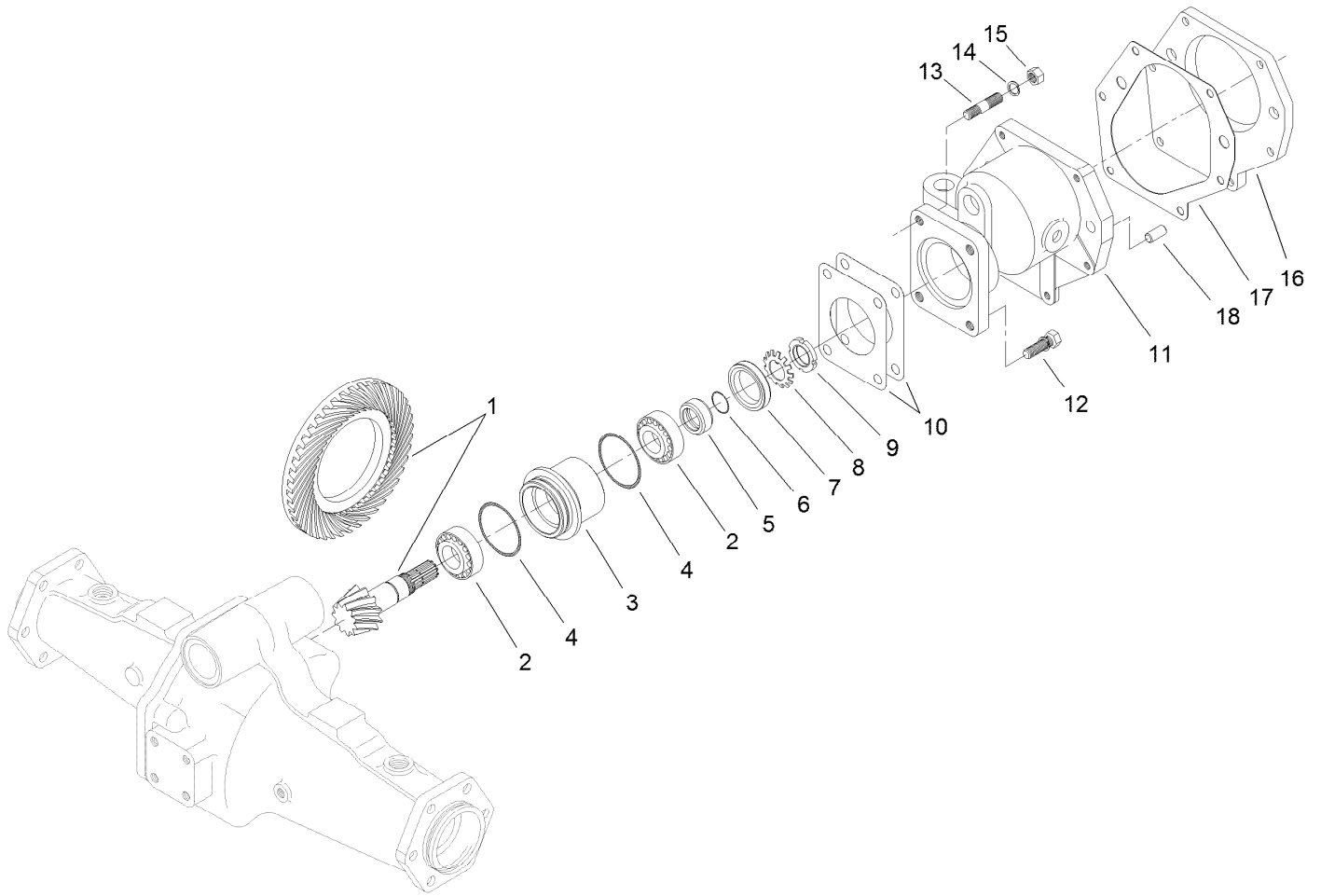
● Not serviced separately



Rear Axle and Steering Cylinder Assembly (continued)

| <i>Ref.</i> | <i>Part Number</i> | <i>Qty.</i> | <i>Description</i> | <i>Ref.</i> | <i>Part Number</i> | <i>Qty.</i> | <i>Description</i> |
|-------------|--------------------|-------------|---------------------------|-------------|--------------------|-------------|--------------------|
| 28:5 | 302-60 | 1 | Fitting-Grease | 33 | 120-8895-03 | 1 | Mount-Rear |
| 28:6 | 121-1534 | 1 | HYD Steering Cylinder ASM | 34 | 99-5107 | 6 | Nut-Lock |
| 29 | 302-33 | 2 | Fitting-Grease | 35 | 98-7077 | 1 | Pin-Axle, Rear |
| 30 | 3296-68 | 1 | Nut-Lock, NI | 36 | 32144-14 | 1 | Screw-HWHTF |
| 31 | 92-1765 | 1 | Washer-Thrust | 37 | 99-8431 | 2 | Washer-Thrust |
| 32 | 325-6 | 6 | Screw-HH | 38 | 99-8432 | 2 | Washer-Thrust |

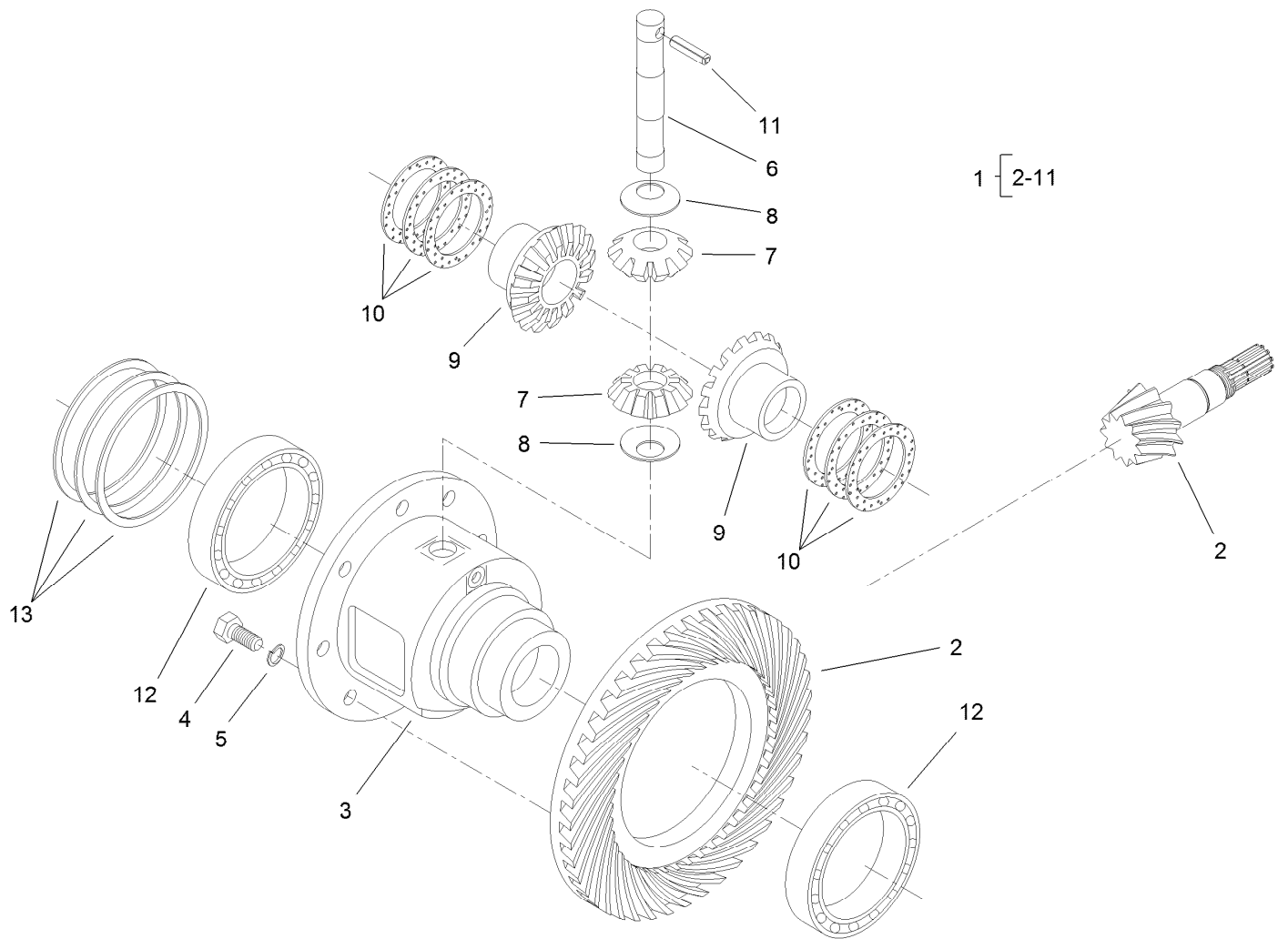
● Not serviced separately



Bevel Pinion Shaft Assembly Rear Axle Assembly No. 110-4750

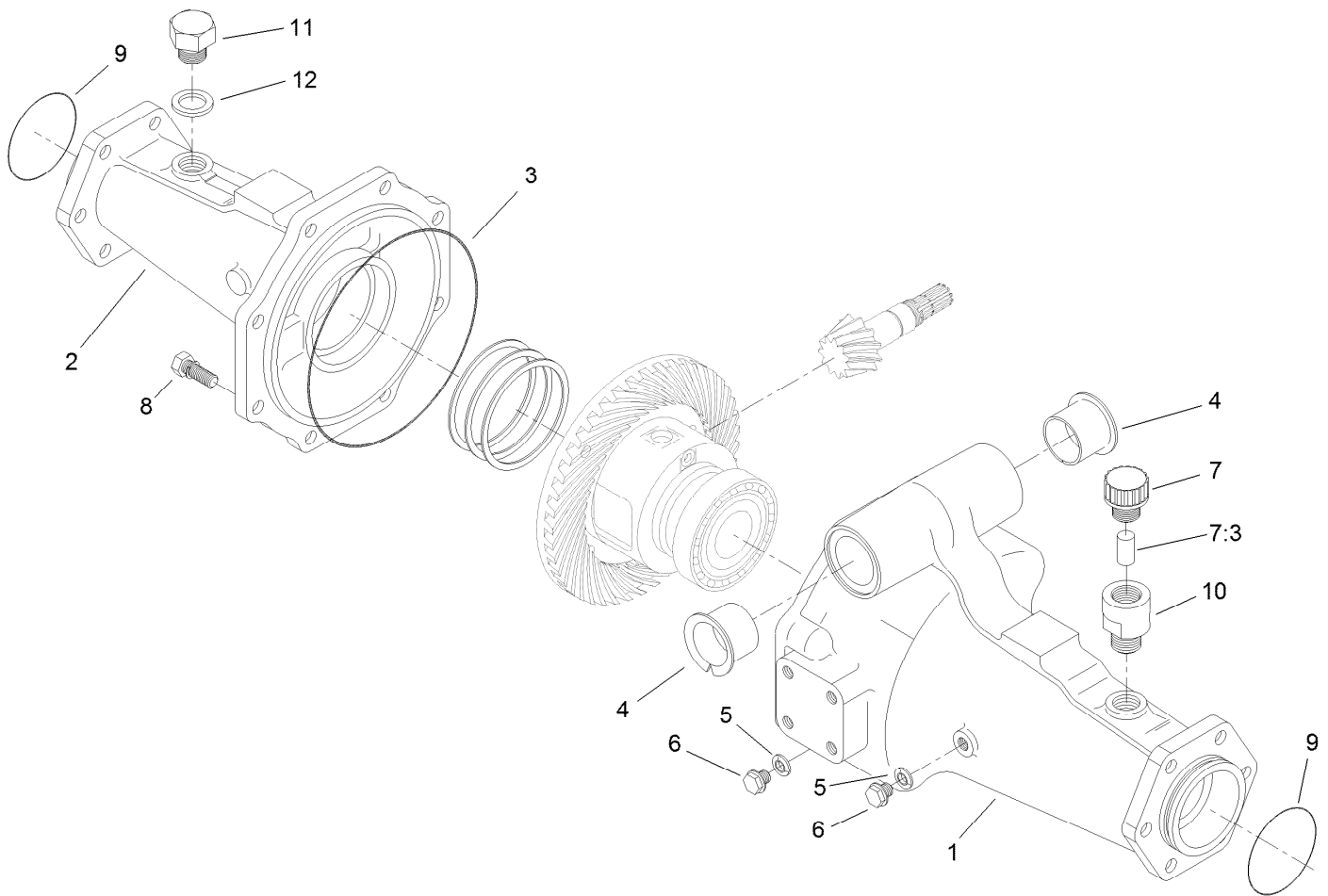
| <i>Ref.</i> | <i>Part Number</i> | <i>Qty.</i> | <i>Description</i> |
|-------------|--------------------|-------------|-----------------------|
| 1 | 106-1093 | 1 | Ring And Pinion Set |
| 2 | 99-7570 | 2 | Bearing-Roller, Taper |
| 3 | 95-7534 | 1 | Case-Bearing |
| 4 | 106-1065 | 2 | O-Ring |
| 5 | 99-7572 | 1 | Collar-Seal, Oil |
| 6 | 106-1066 | 1 | O-Ring |
| 7 | 99-7574 | 1 | Seal-Oil |
| 8 | 99-7559 | 1 | Washer-Lock |
| 9 | 99-7560 | 1 | Nut-Lock |
| 10 | 99-7550 | 2 | Shim 0.1 |

| <i>Ref.</i> | <i>Part Number</i> | <i>Qty.</i> | <i>Description</i> |
|-------------|--------------------|-------------|--------------------|
| 10 | 99-7551 | 2 | Shim 0.2 |
| 11 | 95-7533 | 1 | Case-Gear |
| 12 | 99-7575 | 2 | Bolt |
| 13 | 98-7735 | 2 | Stud |
| 14 | 99-7527 | 2 | Washer-Spring |
| 15 | 99-7526 | 2 | Nut |
| 16 | 95-7541 | 1 | Plate-Cover |
| 17 | 106-1140 | 1 | Gasket |
| 18 | 104-2353 | 2 | Pin-Dowel |



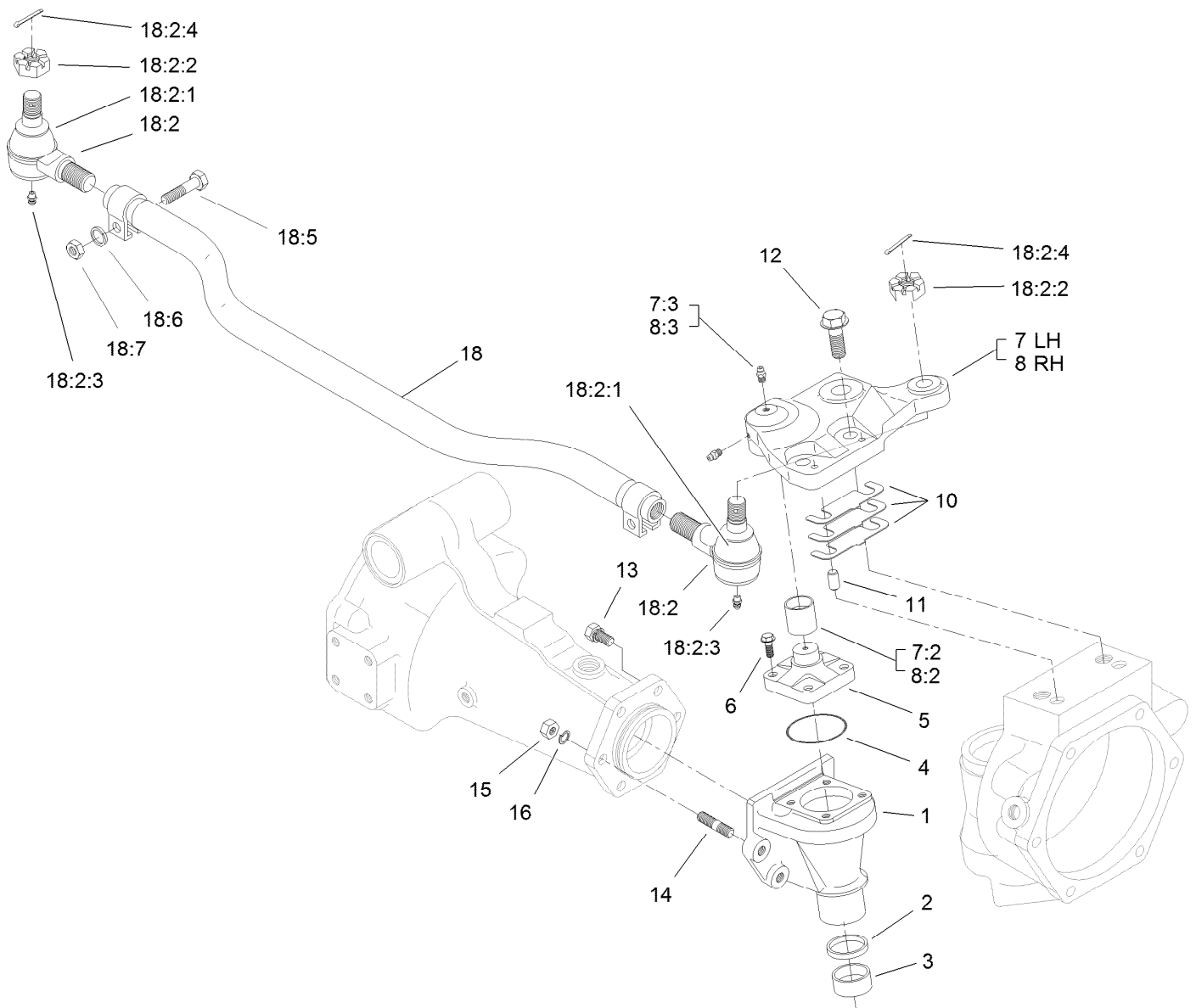
Differential Assembly Rear Axle Assembly No. 110-4750

| <i>Ref.</i> | <i>Part Number</i> | <i>Qty.</i> | <i>Description</i> | <i>Ref.</i> | <i>Part Number</i> | <i>Qty.</i> | <i>Description</i> |
|-------------|--------------------|-------------|---------------------|-------------|--------------------|-------------|---------------------|
| 1 | 95-7503 | 1 | Differential ASM | 10 | 99-7582 | 2 | Washer-Differential |
| 2 | 106-1093 | 1 | Ring And Pinion Set | 10 | 99-7583 | 2 | Washer-Differential |
| 3 | 95-7502 | 1 | Case-Differential | 10 | 99-7584 | 2 | Washer-Differential |
| 4 | 99-7576 | 8 | Bolt | 11 | 99-7588 | 1 | Pin-Spring |
| 5 | 3253-4 | 8 | Washer-Lock | 12 | 99-7562 | 2 | Bearing-Ball |
| 6 | 99-7578 | 1 | Shaft-Differential | 13 | 99-7585 | 2 | Shim 0.1 |
| 7 | 99-7579 | 2 | Pinion-Differential | 13 | 99-7586 | 2 | Shim 0.2 |
| 8 | 99-7580 | 2 | Washer-Differential | 13 | 99-7587 | 2 | Shim 0.4 |
| 9 | 99-7581 | 2 | Gear-Differential | | | | |



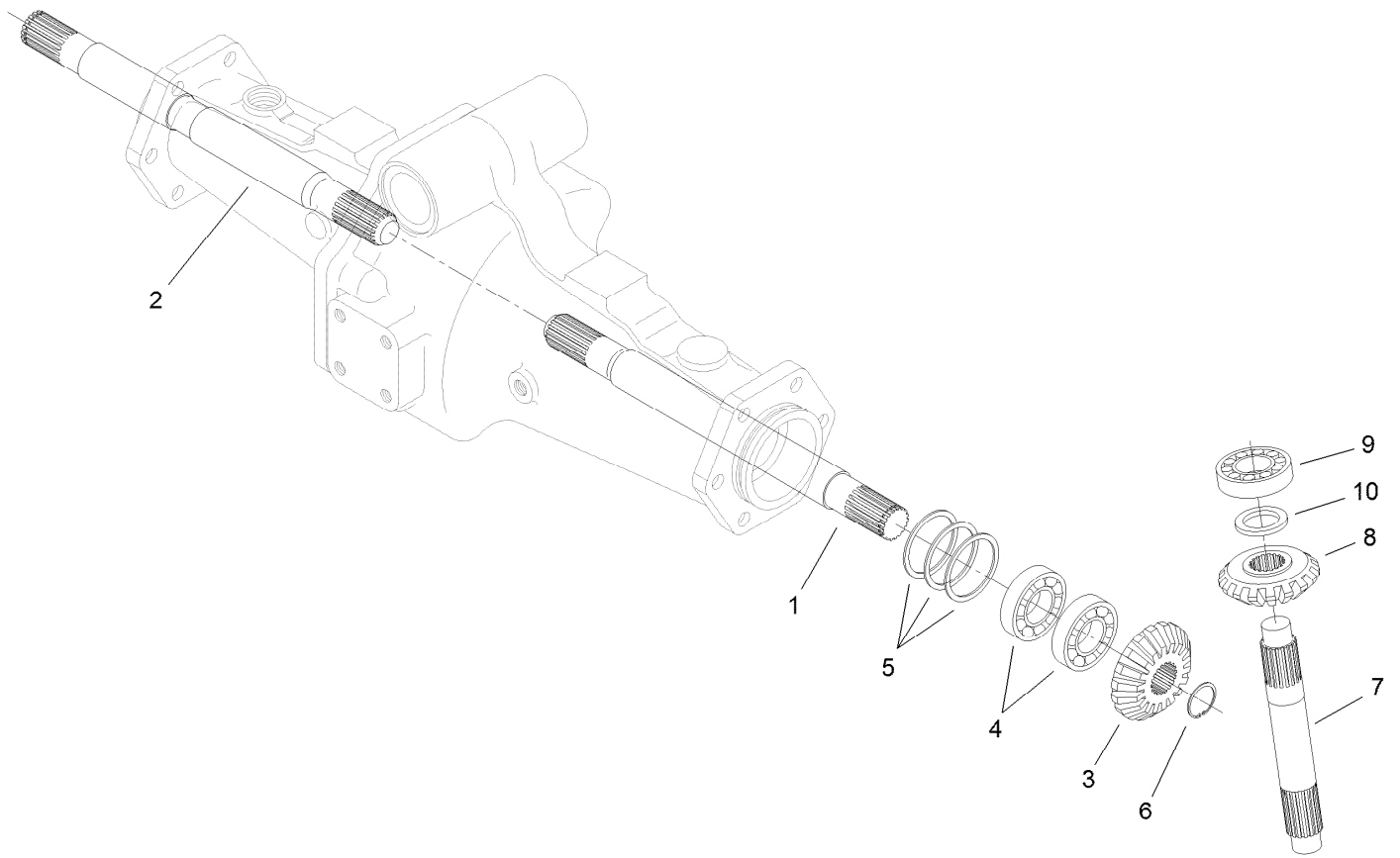
Axle Support Assembly Rear Axle Assembly No. 110-4750

| <i>Ref.</i> | <i>Part Number</i> | <i>Qty.</i> | <i>Description</i> |
|-------------|--------------------|-------------|---------------------|
| 1 | 95-7508 | 1 | Support-Axle |
| 2 | 95-7506 | 1 | Support-Axle |
| 3 | 106-1067 | 1 | O-Ring |
| 4 | 95-7537 | 2 | Bushing-Flanged |
| 5 | 99-7590 | 2 | Washer-Seal |
| 6 | 99-7589 | 2 | Plug |
| 7 | 110-4812 | 1 | Axle Vent ASM |
| 7:3 | 110-4815 | 1 | Insert-Filter, Foam |
| 8 | 99-7592 | 8 | Bolt |
| 9 | 106-1068 | 2 | O-Ring |
| 10 | 104-2377 | 1 | Extension-Vent |
| 11 | 104-8643 | 1 | Plug |
| 12 | 104-8644 | 1 | O-Ring |



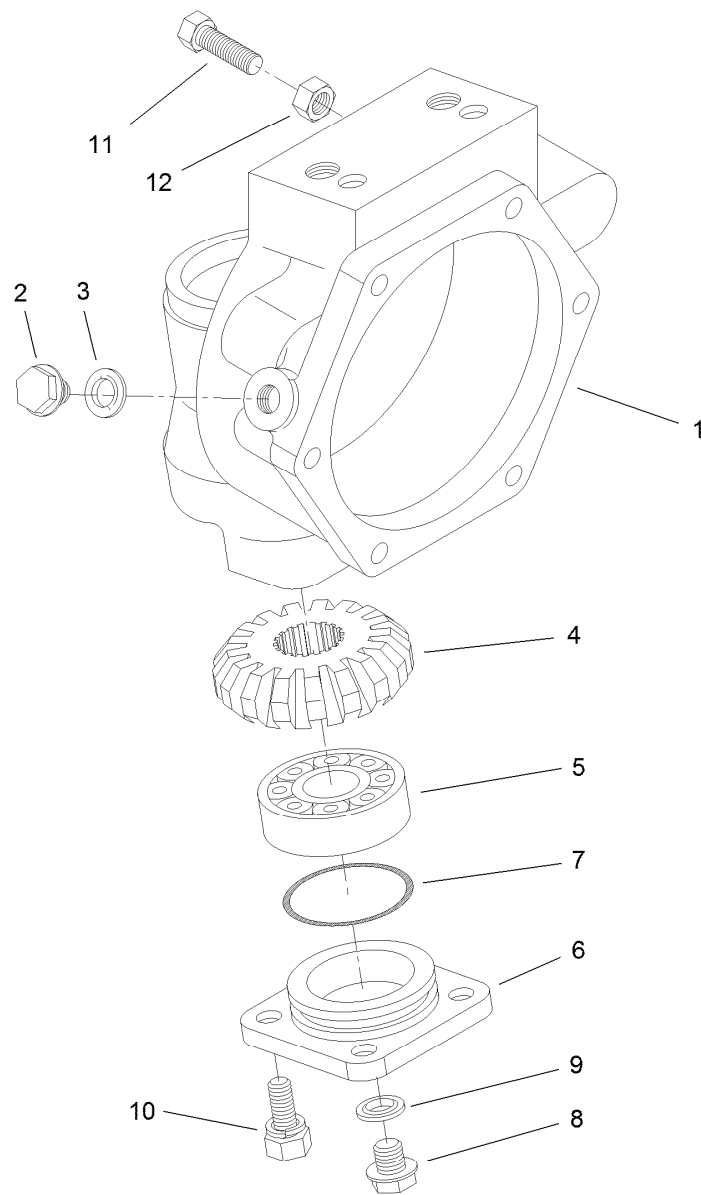
Bevel Gear Case Assembly Rear Axle Assembly No. 110-4750

| Ref. | Part Number | Qty. | Description | Ref. | Part Number | Qty. | Description |
|------|-------------|------|---------------------|--------|-------------|------|--------------------------------|
| 1 | 110-4752 | 2 | Case-Gear, Bevel | 12 | 104-2375 | 4 | Bolt |
| 2 | 110-4754 | 2 | Seal-Oil | 13 | 99-7599 | 8 | Bolt |
| 3 | 104-2378 | 2 | Bushing | 14 | 99-7525 | 4 | Stud |
| 4 | 106-1069 | 2 | O-Ring | 15 | 99-7526 | 4 | Nut |
| 5 | 104-2373 | 2 | Knuckle | 16 | 99-7527 | 4 | Washer-Spring |
| 6 | 104-2374 | 8 | Bolt | 18 | 106-1141 | 1 | Steering Tie Rod ASM |
| 7 | 100-3768 | 1 | LH Steering Arm ASM | 18:2 | 106-1113 | 2 | Tie Rod End ASM - RH Thread |
| 7:2 | 104-8634 | 1 | Bushing | 18:2:1 | 100-3853 | 1 | Cover-Dust |
| 7:3 | 106-1104 | 2 | Fitting-Grease | 18:2:2 | 100-3854 | 1 | Nut-Castle |
| 8 | 100-3766 | 1 | RH Steering Arm ASM | 18:2:3 | 110-4755 | 1 | Fitting-Grease |
| 8:2 | 104-8634 | 1 | Bushing | 18:2:4 | 3272-11 | 1 | Pin-Cotter |
| 8:3 | 106-1104 | 2 | Fitting-Grease | 18:5 | 100-3855 | 2 | Bolt |
| 10 | 95-7547 | 2 | Shim 0.1 | 18:6 | 99-7527 | 2 | Washer-Spring |
| 10 | 95-7548 | 2 | Shim 0.2 | 18:7 | 99-7526 | 2 | Nut |
| 10 | 95-7549 | 2 | Shim 0.3 | | | | |
| 11 | 99-7597 | 4 | Pin-Dowel | | | | |



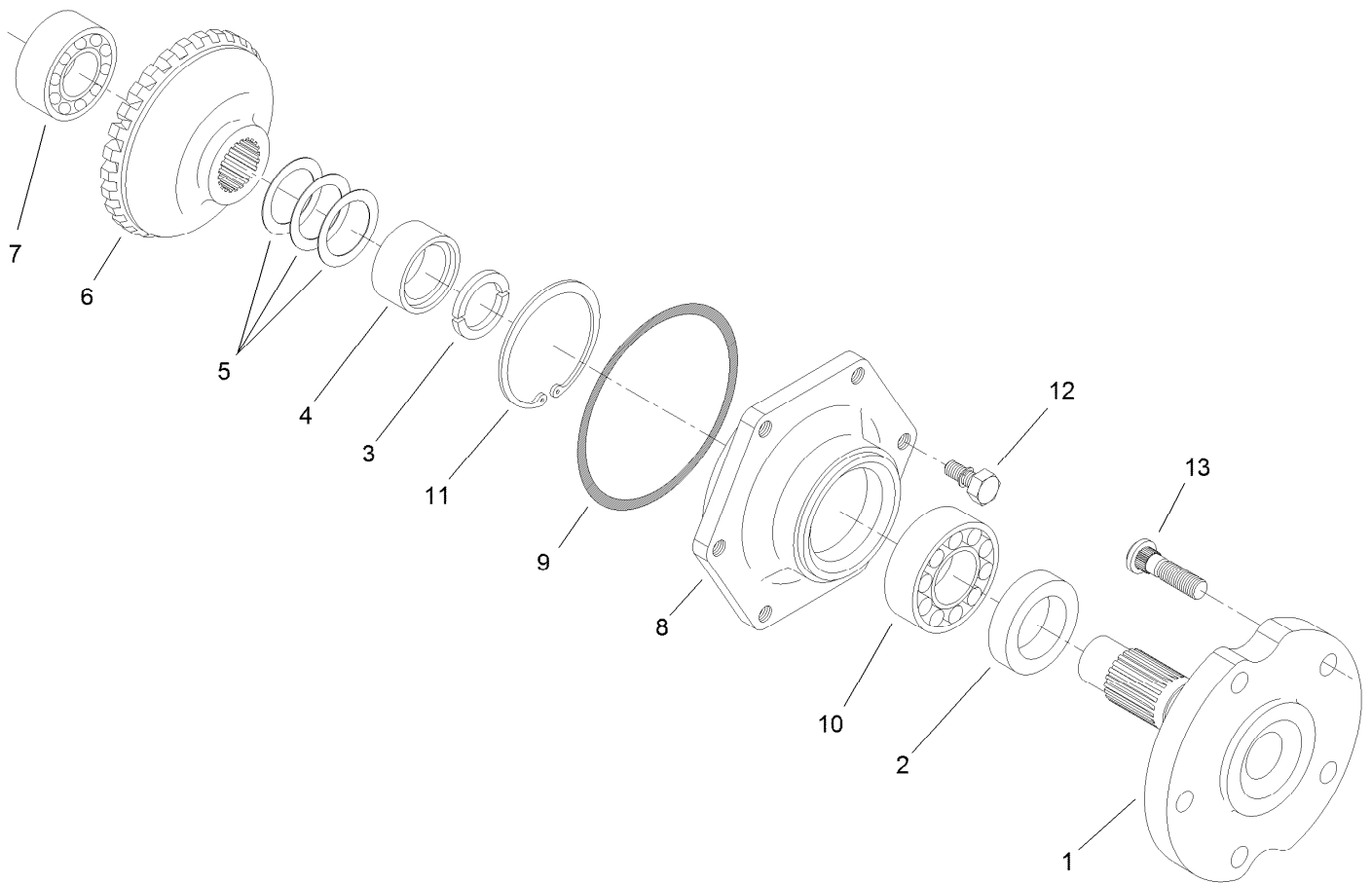
Bevel Gear Shaft Assembly Rear Axle Assembly No. 110-4750

| <i>Ref.</i> | <i>Part Number</i> | <i>Qty.</i> | <i>Description</i> |
|-------------|--------------------|-------------|--------------------------|
| 1 | 95-7509 | 1 | Shaft-Gear, Differential |
| 2 | 95-7512 | 1 | Shaft-Gear, Differential |
| 3 | 95-7517 | 2 | Gear-Bevel, 15 Tooth |
| 4 | 99-7530 | 4 | Bearing-Ball |
| 5 | 99-7552 | 2 | Shim 0.1 |
| 5 | 99-7553 | 2 | Shim 0.2 |
| 5 | 99-7554 | 2 | Shim 0.5 |
| 6 | 99-7531 | 2 | Clip |
| 7 | 110-4753 | 2 | Shaft-Gear, Bevel |
| 8 | 95-7519 | 2 | Gear-Bevel, 17 Tooth |
| 9 | 99-7532 | 2 | Bearing-Roller, Taper |
| 10 | 99-7558 | 2 | Collar |



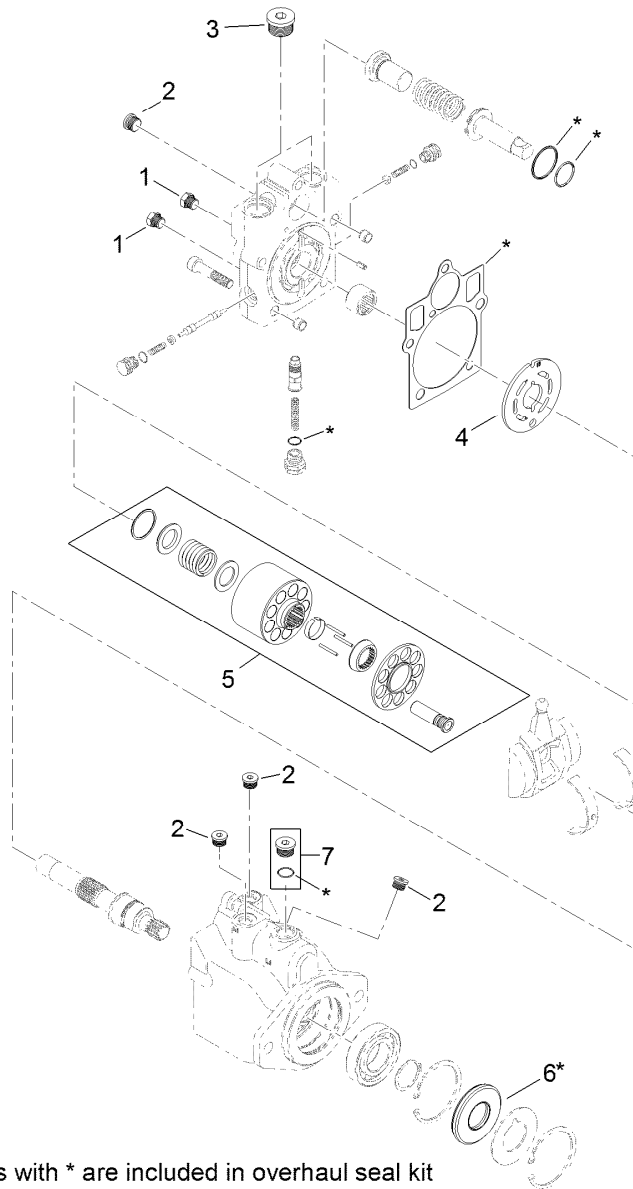
Axle Case Assembly Rear Axle Assembly No. 110-4750

| <i>Ref.</i> | <i>Part Number</i> | <i>Qty.</i> | <i>Description</i> |
|-------------|--------------------|-------------|-----------------------|
| 1 | 110-4751 | 2 | Case-Axle |
| 2 | 99-7535 | 2 | Plug |
| 3 | 99-7536 | 2 | Washer-Seal |
| 4 | 95-7527 | 2 | Gear-Bevel, 17 Tooth |
| 5 | 99-7532 | 2 | Bearing-Roller, Taper |
| 6 | 100-2560 | 2 | Cover |
| 7 | 106-1070 | 2 | O-Ring |
| 8 | 99-7589 | 2 | Plug |
| 9 | 99-7590 | 2 | Washer-Seal |
| 10 | 100-2562 | 8 | Bolt |
| 11 | 106-1102 | 2 | Bolt-Stop |
| 12 | 106-1103 | 2 | Nut |



Axle Assembly Rear Axle Assembly No. 110-4750

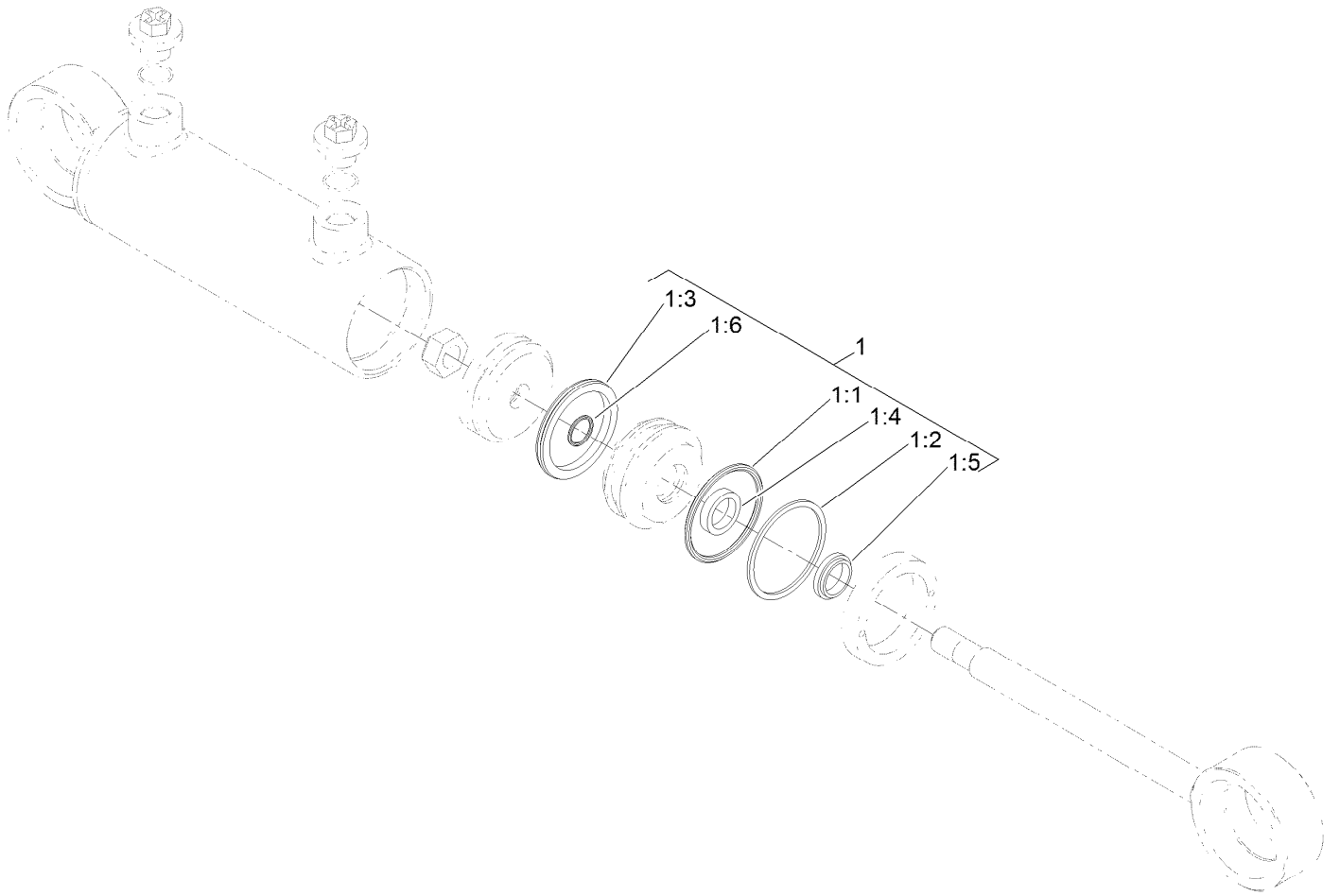
| <i>Ref.</i> | <i>Part Number</i> | <i>Qty.</i> | <i>Description</i> |
|-------------|--------------------|-------------|----------------------|
| 1 | 95-7522 | 2 | Axle |
| 2 | 99-7564 | 2 | Seal-Oil |
| 3 | 95-7544 | 4 | Clip |
| 4 | 95-7523 | 2 | Spacer |
| 5 | 99-7555 | 2 | Shim 0.3 |
| 5 | 99-7556 | 2 | Shim 0.2 |
| 5 | 99-7557 | 2 | Shim 0.5 |
| 6 | 95-7524 | 2 | Gear-Bevel, 29 Tooth |
| 7 | 99-7534 | 2 | Bearing-Ball |
| 8 | 95-7521 | 2 | Cover-Axle |
| 9 | 106-1071 | 2 | O-Ring |
| 10 | 99-7561 | 2 | Bearing-Ball |
| 11 | 99-7539 | 2 | Clip |
| 12 | 99-7596 | 12 | Bolt |
| 13 | 99-7563 | 10 | Stud |



8 = all items with * are included in overhaul seal kit

Hydraulic Motor Assembly No. 120-8814

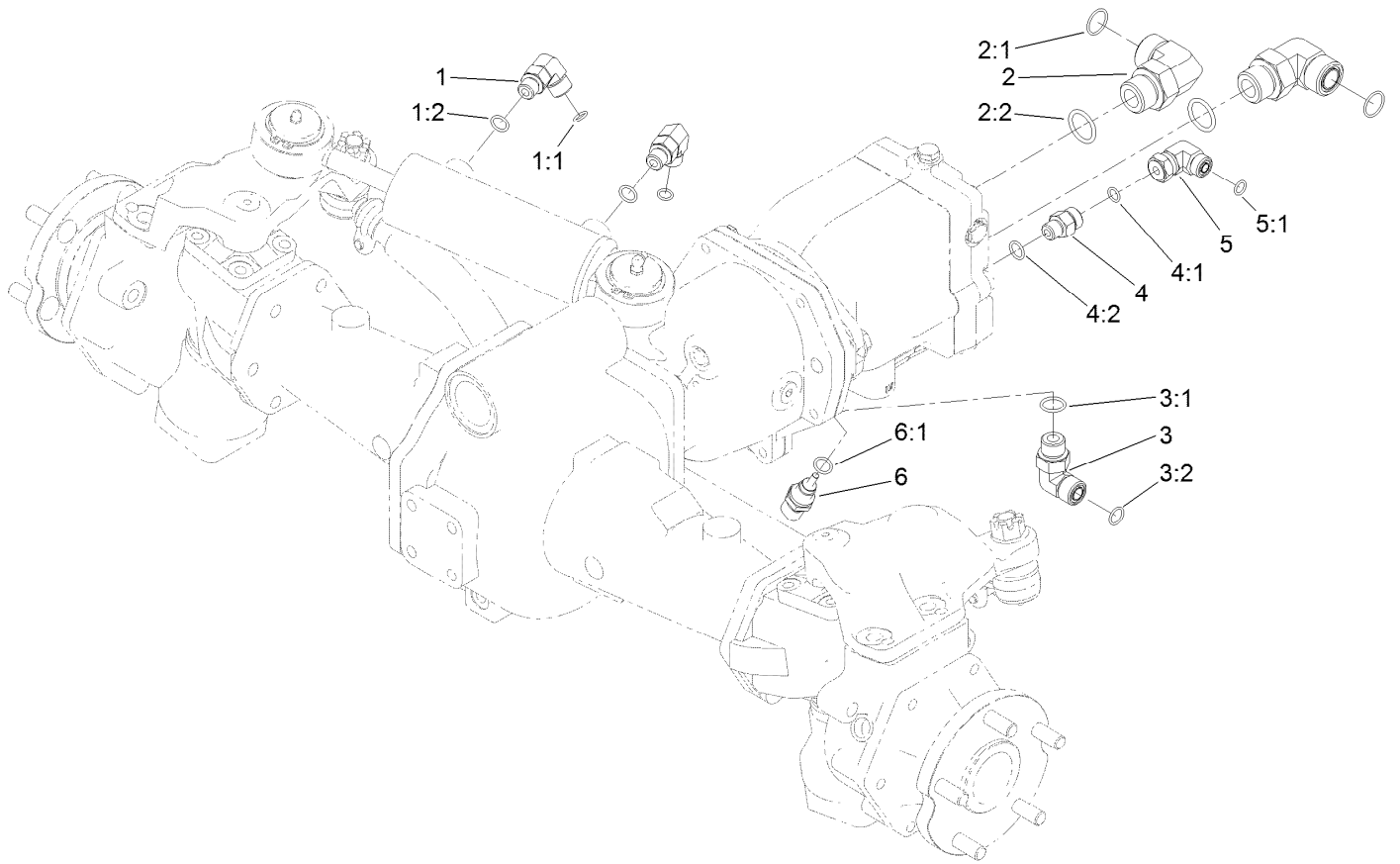
| <i>Ref.</i> | <i>Part Number</i> | <i>Qty.</i> | <i>Description</i> |
|-------------|--------------------|-------------|------------------------|
| 1 | 92-1352 | 2 | Plug |
| 2 | 69-3080 | 5 | Plug |
| 3 | 69-3130 | 2 | Plug |
| 4 | 121-1734 | 1 | Plate-Valve |
| 5 | 110-6472 | 1 | Cylinder Block Kit ASM |
| 6 | 69-3190 | 1 | Seal-Lip |
| 7 | 67-9090 | 1 | Plug |
| 8 | 121-1736 | 1 | Overhaul Seal Kit |



Steering Cylinder Assembly No. 121-1534

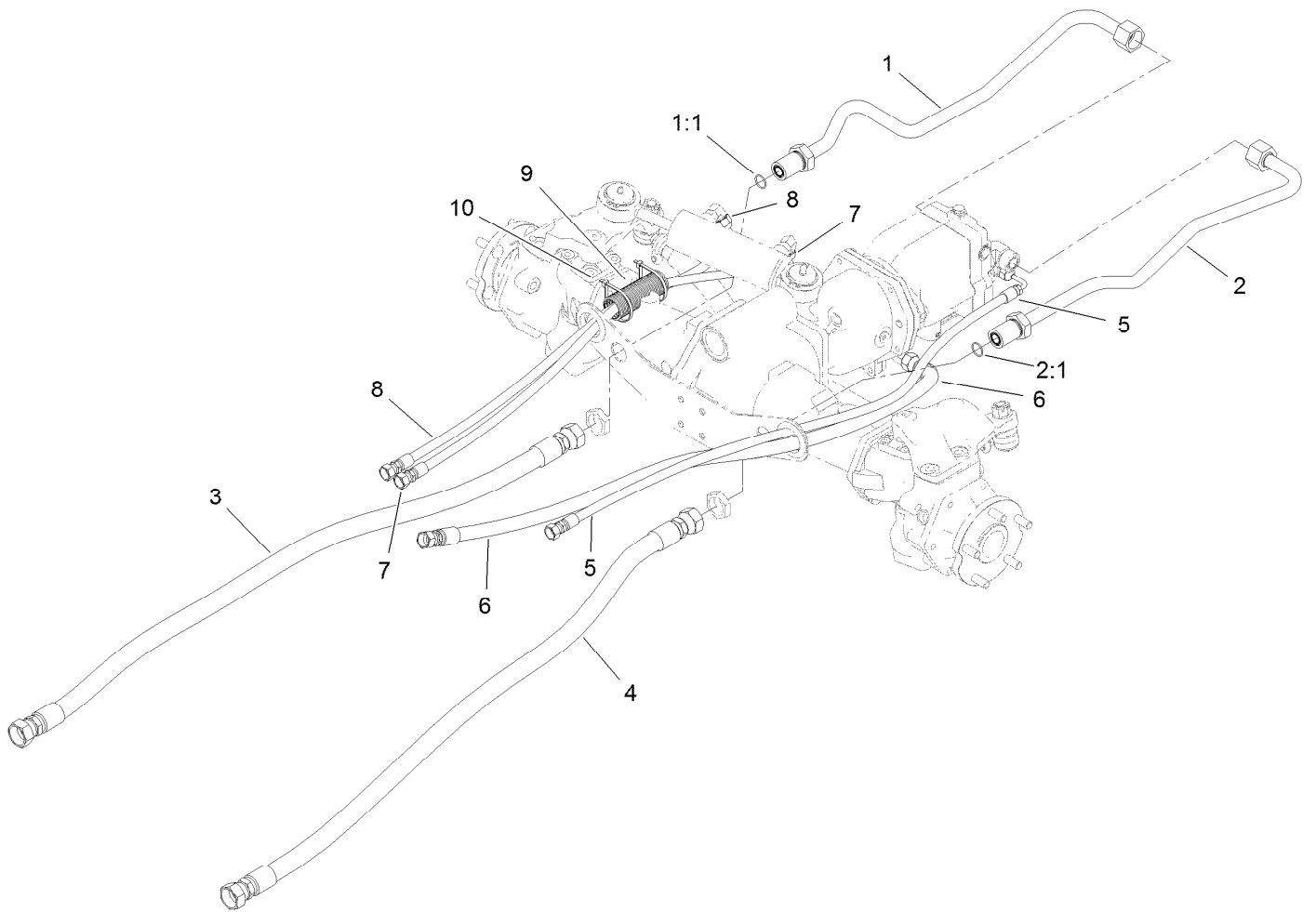
| <i>Ref.</i> | <i>Part Number</i> | <i>Qty.</i> | <i>Description</i> |
|-------------|--------------------|-------------|--------------------|
| 1 | 125-4302 | 1 | Seal Kit |
| 1:1 | | 1 | O-Ring ● |
| 1:2 | | 1 | Backup ● |
| 1:3 | | 1 | Bp Seal ● |
| 1:4 | | 1 | Bt Seal ● |
| 1:5 | | 1 | Dust Seal ● |
| 1:6 | | 1 | O-Ring ● |

● Not serviced separately



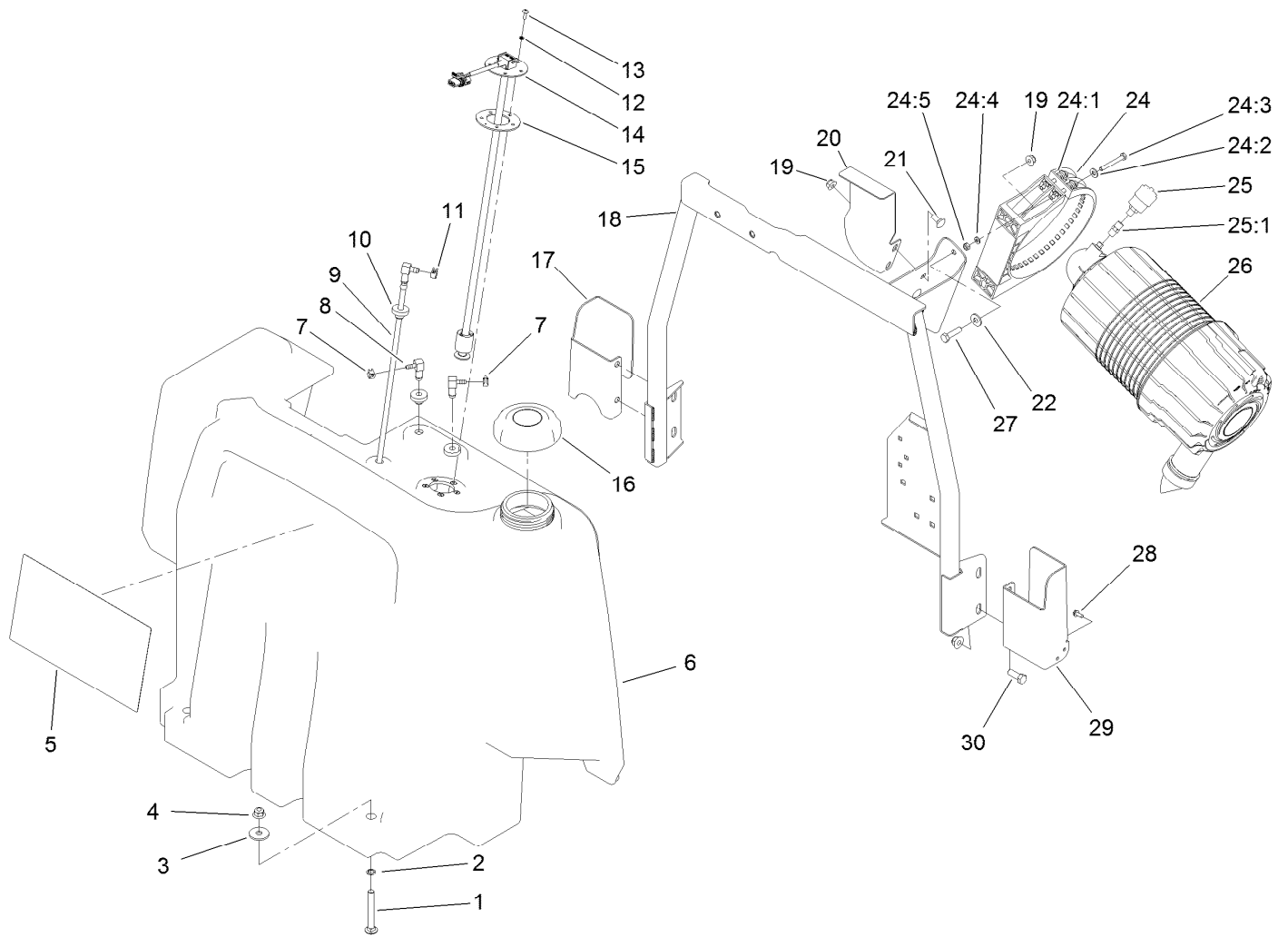
Hydraulic Fitting Assembly

| <i>Ref.</i> | <i>Part Number</i> | <i>Qty.</i> | <i>Description</i> | <i>Ref.</i> | <i>Part Number</i> | <i>Qty.</i> | <i>Description</i> |
|-------------|--------------------|-------------|-----------------------|-------------|--------------------|-------------|--------------------|
| 1 | 340-77 | 2 | Fitting-Elbow, 90 DEG | 3:2 | 237-30 | 1 | O-Ring |
| 1:1 | 237-22 | 1 | O-Ring | 4 | 340-2 | 1 | Fitting-Straight |
| 1:2 | 237-42 | 1 | O-Ring | 4:1 | 237-22 | 1 | O-Ring |
| 2 | 340-142 | 2 | Fitting-Elbow, 90 DEG | 4:2 | 237-42 | 1 | O-Ring |
| 2:1 | 237-58 | 1 | O-Ring | 5 | 340-159 | 1 | Elbow-90 |
| 2:2 | 237-81 | 1 | O-Ring | 5:1 | 237-22 | 2 | O-Ring |
| 3 | 340-98 | 1 | Fitting-Elbow, 90 DEG | 6 | 110-8829 | 1 | Sender-Temperature |
| 3:1 | 237-79 | 1 | O-Ring | 6:1 | 237-42 | 1 | O-Ring |
| | | | | | | | |



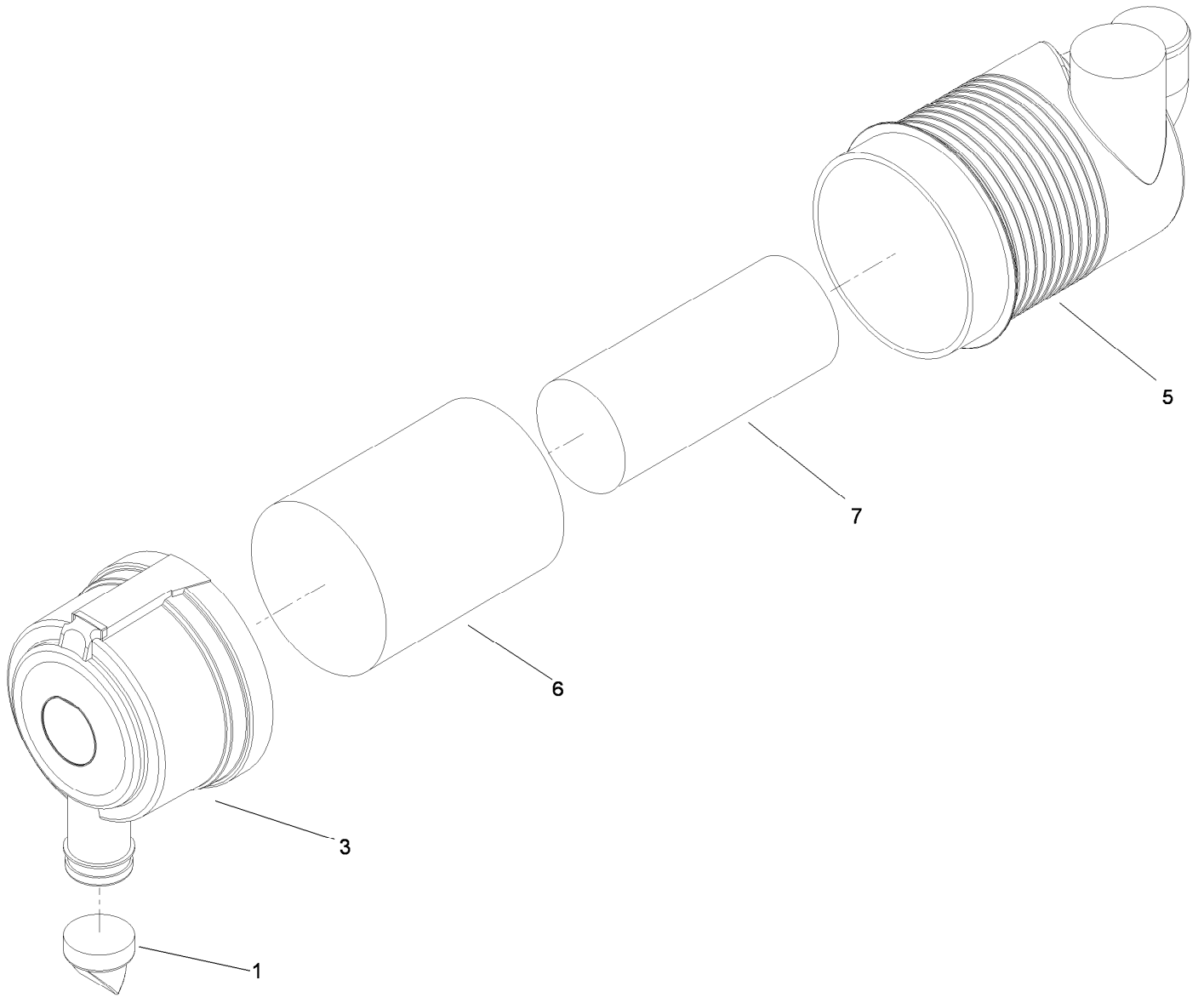
Hose and Tube Routing Assembly

| <i>Ref.</i> | <i>Part Number</i> | <i>Qty.</i> | <i>Description</i> |
|-------------|--------------------|-------------|--------------------|
| 1 | 120-9067 | 1 | HYD Tube ASM |
| 1:1 | 237-58 | 1 | O-Ring |
| 2 | 120-9068 | 1 | Tube ASM |
| 2:1 | 237-58 | 1 | O-Ring |
| 3 | 121-1502 | 1 | Hose-HYD |
| 4 | 114-0024 | 1 | Hose-HYD |
| 5 | 121-1459 | 1 | Hose-HYD |
| 6 | 121-1458 | 1 | Hose-HYD |
| 7 | 121-1500 | 1 | Hose-HYD |
| 8 | 121-1501 | 1 | Hose-HYD |
| 9 | 121-1544 | 2 | Cover-Hose |
| 10 | 3290-379 | 4 | Tie-Cable |



Fuel Tank and Air Cleaner Assembly

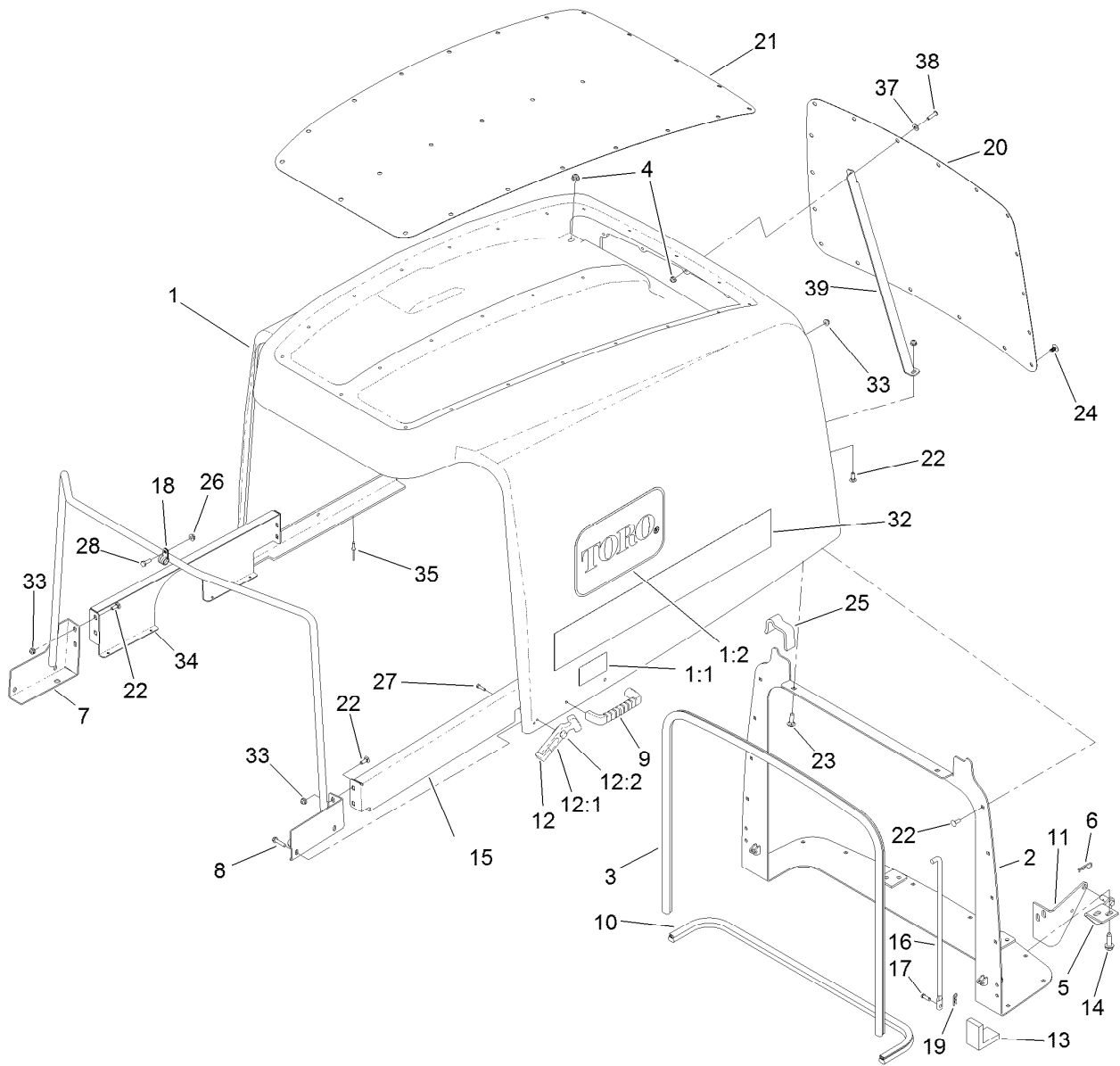
| Ref. | Part Number | Qty. | Description | Ref. | Part Number | Qty. | Description |
|------|-------------|------|-----------------------|------|-------------|------|--------------------|
| 1 | 3231-10 | 2 | Screw-CARR | 19 | 104-8300 | 4 | Nut-HF, NI |
| 2 | 32151-72 | 2 | Ring-Retaining | 20 | 120-4193-03 | 1 | Bracket-Fuel Tank |
| 3 | 63-8410 | 2 | Washer | 21 | 3230-1 | 2 | Bolt-CARR |
| 4 | 104-8301 | 6 | Nut-HF, NI | 22 | 3256-3 | 2 | Washer-Flat |
| 5 | 130-6043 | 1 | Decal-Service | 24 | 99-5414 | 1 | Strap-Cleaner, Air |
| 6 | 120-4195 | 1 | Tank-Fuel | 24:1 | 108-1512 | 2 | Spring |
| 7 | 2412-98 | 2 | Clamp-Hose | 24:2 | 3256-22 | 2 | Washer-Flat |
| 8 | 104-5228 | 2 | Fitting-Elbow, 90 DEG | 24:3 | 33113-050 | 2 | Screw-HH |
| 9 | 120-8908 | 1 | Pipe-Stand | 24:4 | 33093-00 | 2 | Washer-Flat |
| 10 | 46-6560 | 3 | Bushing | 24:5 | 33023-00 | 2 | Nut-Lock |
| 11 | 92-2379 | 1 | Clamp-Hose | 25 | 104-3563 | 1 | Indicator |
| 12 | 3253-15 | 5 | Washer-Lock | 25:1 | 94-1416 | 1 | Adapter-Indicator |
| 13 | 32122-24 | 5 | Screw-PTH | 26 | 99-5410 | 1 | Air Cleaner ASM |
| 14 | 121-1688 | 1 | Gauge-Fuel | 27 | 322-6 | 2 | Screw-HH |
| 15 | 121-1707 | 1 | Gasket-Fuel, Viton | 28 | 32144-1 | 4 | Screw-Tapitite |
| 16 | 125-9171 | 1 | Cap-Fuel | 29 | 121-1513-03 | 1 | Bracket-Latch, LH |
| 17 | 121-1514-03 | 1 | Bracket-Latch, RH | 30 | 323-6 | 4 | Screw-HH |
| 18 | 120-4190-03 | 1 | Support-Tank | | | | |



Air Cleaner Assembly No. 99-5410

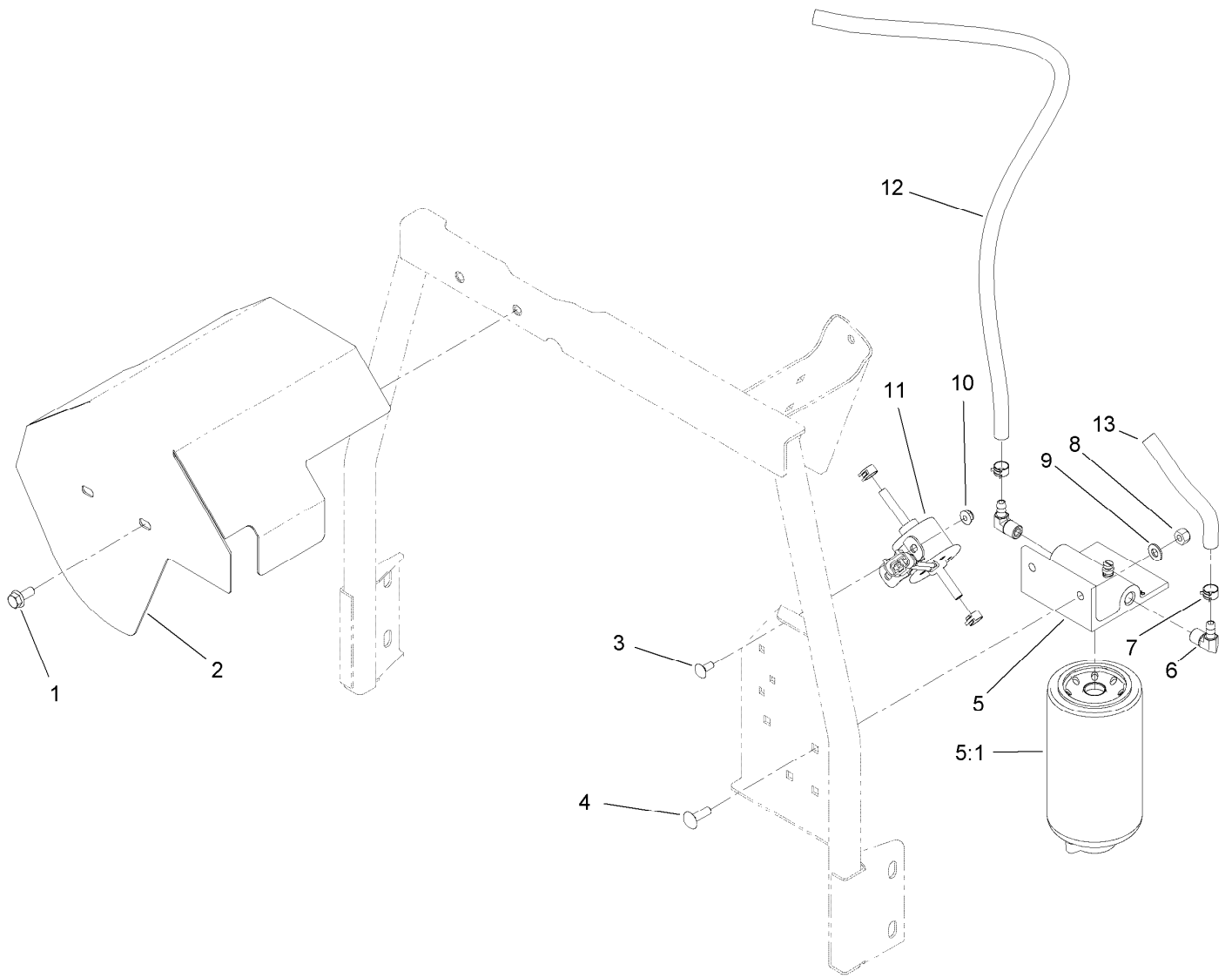
| <i>Ref.</i> | <i>Part Number</i> | <i>Qty.</i> | <i>Description</i> |
|-------------|--------------------|-------------|--------------------|
| 1 | 104-4258 | 1 | Valve-Vacuator |
| 3 | 104-4259 | 1 | Cover |
| 5 | | 1 | Body ASM ● |
| 6 | 108-3814 | 1 | Filter-Air |
| 7 | 108-3816 | 1 | Filter-Air |

● Not serviced separately



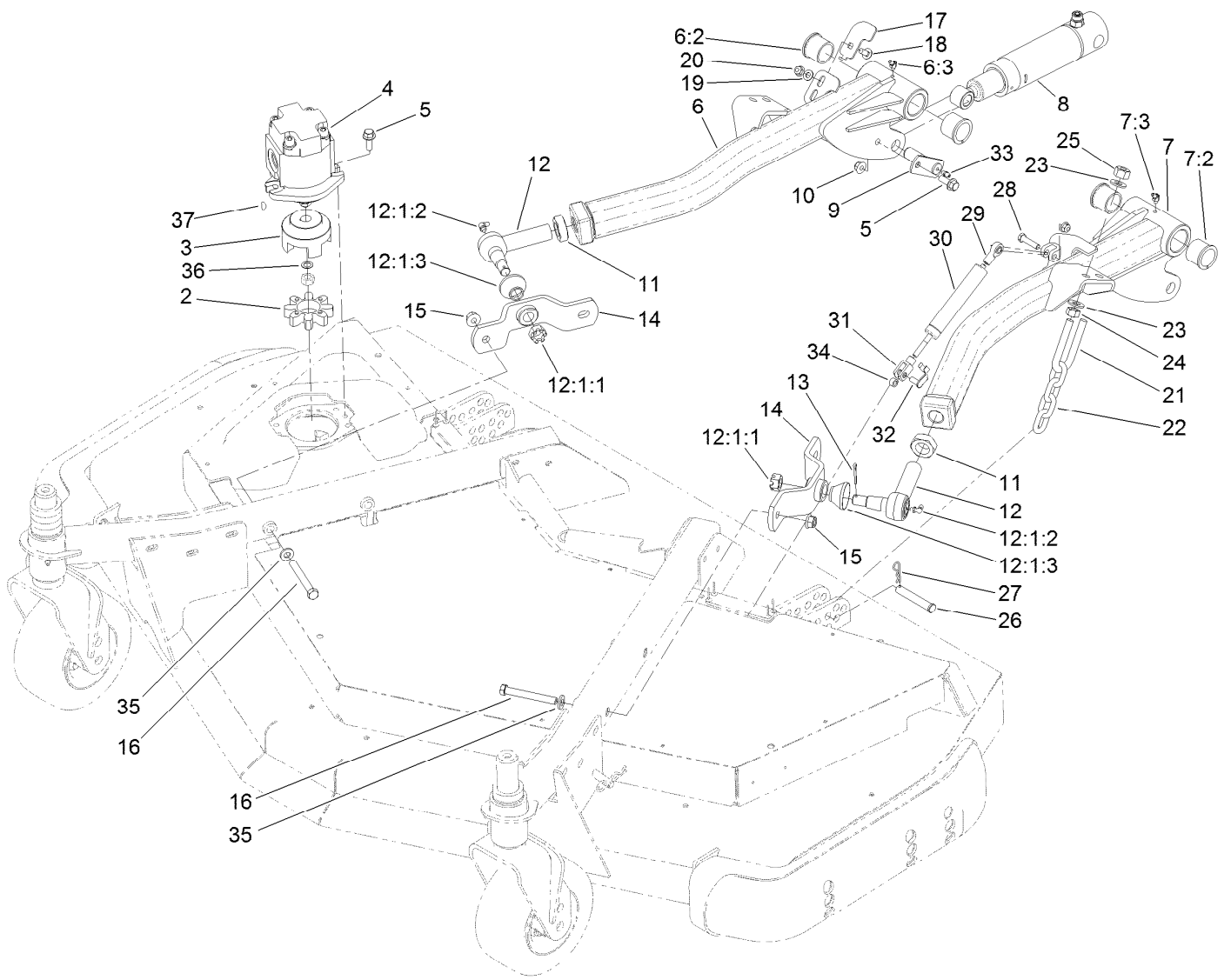
Hood Assembly

| Ref. | Part Number | Qty. | Description | Ref. | Part Number | Qty. | Description |
|------|-------------|------|-------------------------|------|-------------|------|-------------------|
| 1 | 120-9090 | 1 | Hood ASM | 17 | 283-67 | 2 | Pin-Clevis |
| 1:1 | 106-6754 | 1 | Decal-Danger | 18 | 2412-134 | 2 | Clamp-R |
| 1:2 | 66-1210 | 2 | Decal | 19 | 3290-307 | 2 | Pin-Cotter |
| 2 | 120-9099-03 | 1 | Pivot-Hood | 20 | 120-9096-03 | 1 | Screen-Hood, Rear |
| 3 | 114-3823 | 1 | Seal-Bulb | 21 | 120-9097-03 | 1 | Screen-Hood, Top |
| 4 | 104-8300 | 2 | Nut-HF, NI | 22 | 3229-1 | 24 | Screw-CARR |
| 5 | 121-1470 | 2 | Pivot-Screen | 23 | 3230-2 | 2 | Bolt-CARR |
| 6 | 3290-467 | 2 | Pin-Hair | 24 | 117-2382 | 42 | Plug-Plastic |
| 7 | 120-4196-03 | 1 | Support-Hood | 25 | 120-9087 | 2 | Seal-Foam |
| 8 | 46-8092 | 4 | Screw-Plastite | 26 | 32128-33 | 2 | Nut-HF |
| 9 | 65-5100 | 2 | Handle-Door | 27 | 32104-4 | 2 | Screw |
| 10 | 104-3590 | 1 | Seal-Bulb | 28 | 321-4 | 2 | Screw-HH |
| 11 | 104-3588-03 | 2 | Pivot-Screen | 32 | 106-2045 | 2 | Decal-Hood |
| 12 | 94-5626 | 2 | Flexible Draw Latch ASM | 33 | 104-7201 | 25 | Nut-HF |
| 12:1 | 103-4080 | 1 | Latch-Rubber | 34 | 120-8948-03 | 1 | Support-Hood, RH |
| 12:2 | 103-4081 | 1 | Latch-Keeper | 35 | 3269-4 | 8 | Rivet-Pop |
| 13 | 104-3580 | 2 | Seal-Corner, Screen | 37 | 3256-1 | 1 | Washer-Flat |
| 14 | 32144-109 | 8 | Screw-Thd | 38 | 3274-65 | 1 | Screw-HSBH |
| 15 | 120-8949-03 | 1 | Support-Hood, LH | 39 | 127-3707-03 | 1 | Support-Hood |
| 16 | 104-8313 | 2 | Rod-Hood | | | | |



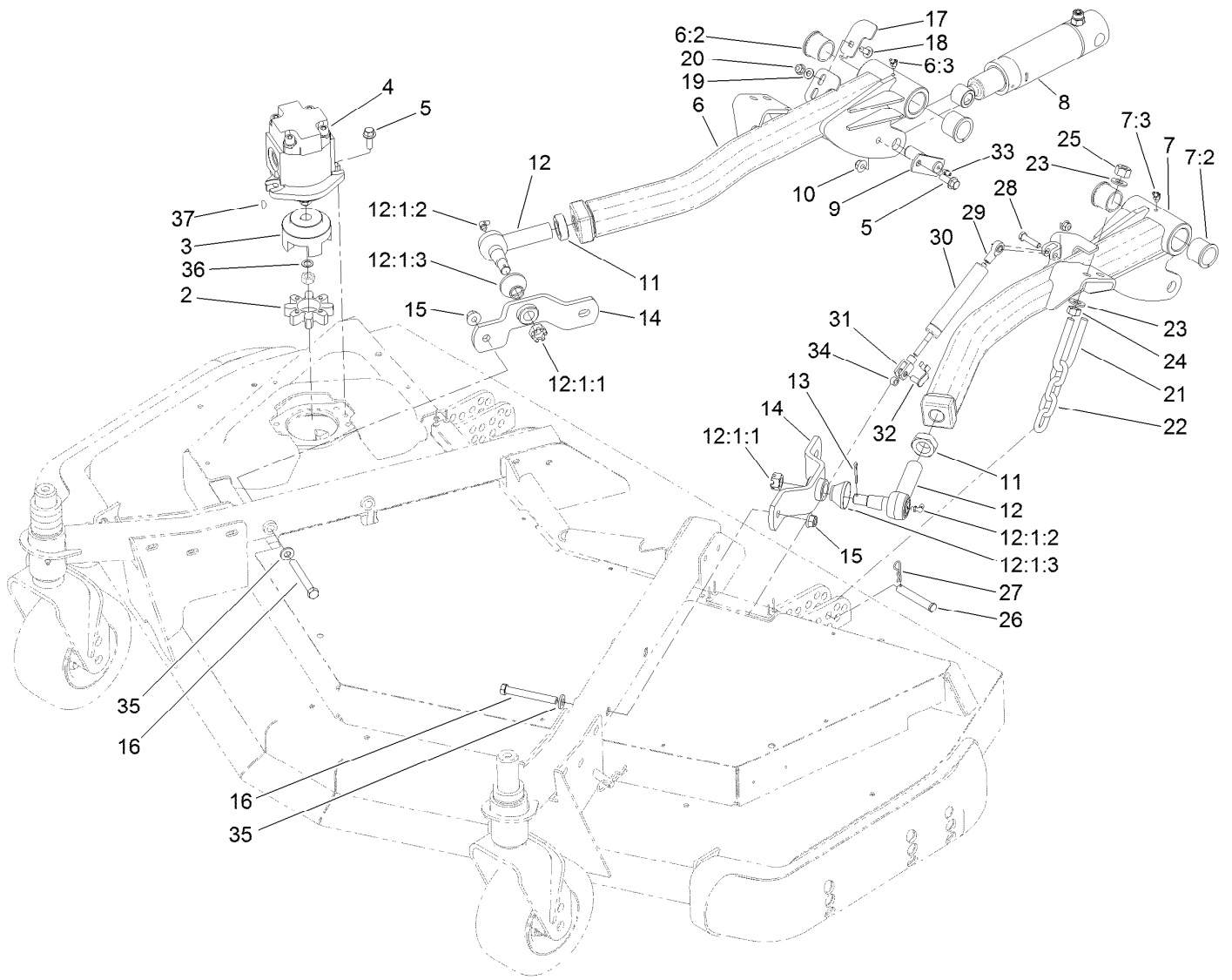
Fuel/Water Separator Assembly

| Ref. | Part Number | Qty. | Description |
|------|-------------|------|-----------------------------|
| 1 | 3234-47 | 2 | Screw-HHF |
| 2 | 120-4188-03 | 1 | Bracket-Guard, Fuel Tank |
| 3 | 3229-11 | 2 | Screw-CARR |
| 4 | 3230-22 | 2 | Screw-CARR |
| 5 | 125-2914 | 1 | Filter-Separator |
| 5:1 | 125-2915 | 1 | Filter-Fuel/Water Separator |
| 6 | 353-781 | 2 | Fitting-HYD, 90 |
| 7 | 92-2379 | 4 | Clamp-Hose |
| 8 | 3296-29 | 2 | Nut-Lock, NI |
| 9 | 3256-23 | 2 | Washer-Plain |
| 10 | 104-7201 | 2 | Nut-HF |
| 11 | 121-5613 | 1 | Pump-Fuel, Electric |
| 12 | 109-0309 | 1 | Hose-Fuel |
| 13 | 110-3256 | 1 | Hose-Fuel |



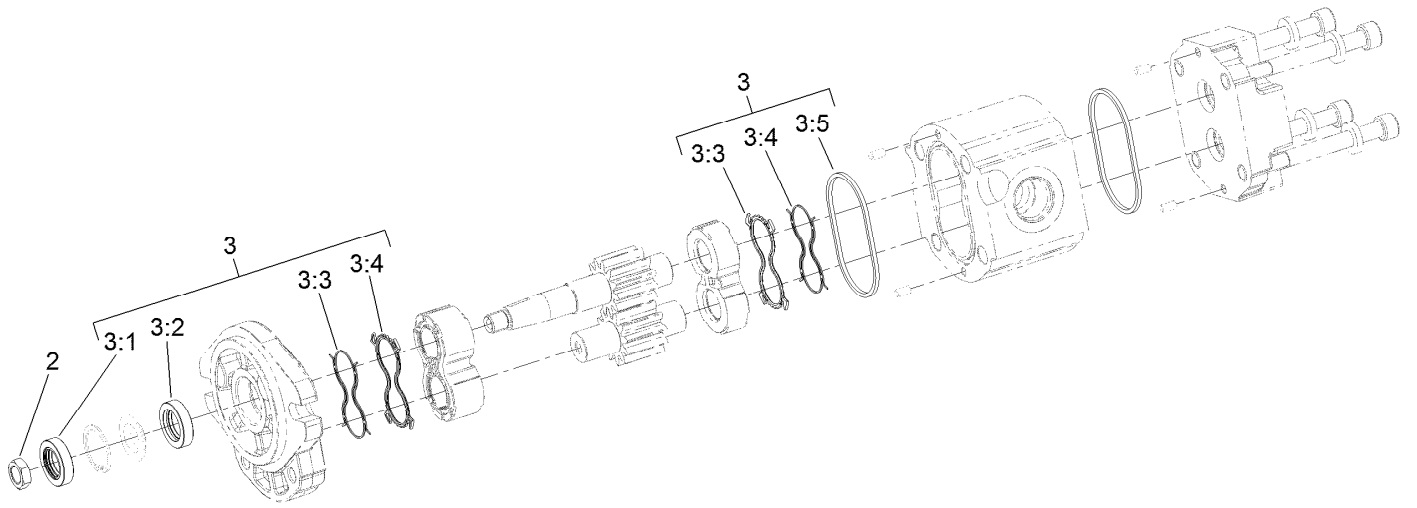
Front Deck Installation Assembly

| Ref. | Part Number | Qty. | Description | Ref. | Part Number | Qty. | Description |
|--------|-------------|------|------------------------|------|-------------|------|--------------------|
| 2 | 104-3542 | 1 | Spider | 16 | 324-19 | 4 | Screw-HH |
| 3 | 104-3541 | 1 | Hub-Spider | 17 | 120-8893 | 1 | Plate-Sensor |
| 4 | 127-3694 | 1 | HYD Motor ASM | 18 | 3230-23 | 1 | Screw-CARR |
| 5 | 3234-42 | 4 | Screw-HHF | 19 | 3256-23 | 1 | Washer-Plain |
| 6 | 120-8878 | 1 | RH Lift Arm ASM | 20 | 104-8300 | 2 | Nut-HF, NI |
| 6:2 | 104-0015 | 2 | Bushing-Flange | 21 | 104-0108 | 2 | U-Bolt |
| 6:3 | 302-11 | 1 | Fitting-Lube, 45 DEG | 22 | 95-6231 | 2 | Chain-HOC |
| 7 | 120-8879 | 1 | LH Lift Arm ASM | 23 | 3256-26 | 8 | Washer-Flat |
| 7:2 | 104-0015 | 2 | Bushing-Flange | 24 | 3217-9 | 4 | Nut-HH |
| 7:3 | 302-11 | 1 | Fitting-Lube, 45 DEG | 25 | 3296-25 | 4 | Nut-Lock, NI |
| 8 | 120-8802 | 2 | HYD Cylinder ASM | 26 | 283-55 | 2 | Pin-Clevis |
| 9 | 100-3020 | 2 | Pin | 27 | 3290-467 | 2 | Pin-Hair |
| 10 | 104-8301 | 2 | Nut-HF, NI | 28 | 322-17 | 1 | Screw-HH |
| 11 | 21-3001 | 2 | Nut-Jam | 29 | 104-8331 | 1 | End-Rod, Spherical |
| 12 | 86-8101-01 | 2 | Joint-Ball, LH | 30 | 105-3249 | 1 | Damper |
| 12:1:1 | 32136-2 | 1 | Nut-SHH | 31 | 115-5455 | 1 | End-Rod, Clevis |
| 12:1:2 | 302-40 | 1 | Fitting-Grease, 90 DEG | 32 | 115-5454 | 1 | Pin-Spring |
| 12:1:3 | 114-2874 | 1 | Seal-Ball Joint | 33 | 302-5 | 2 | Fitting-Grease |
| 13 | 3272-12 | 2 | Pin-Cotter | 34 | 115-2142 | 1 | Spacer |
| 14 | 93-4583-01 | 2 | Mount-Joint, Ball | 35 | 87-7480 | 4 | Washer |
| 15 | 114-8417 | 4 | Nut-HF, NI | | | | |



Front Deck Installation Assembly (continued)

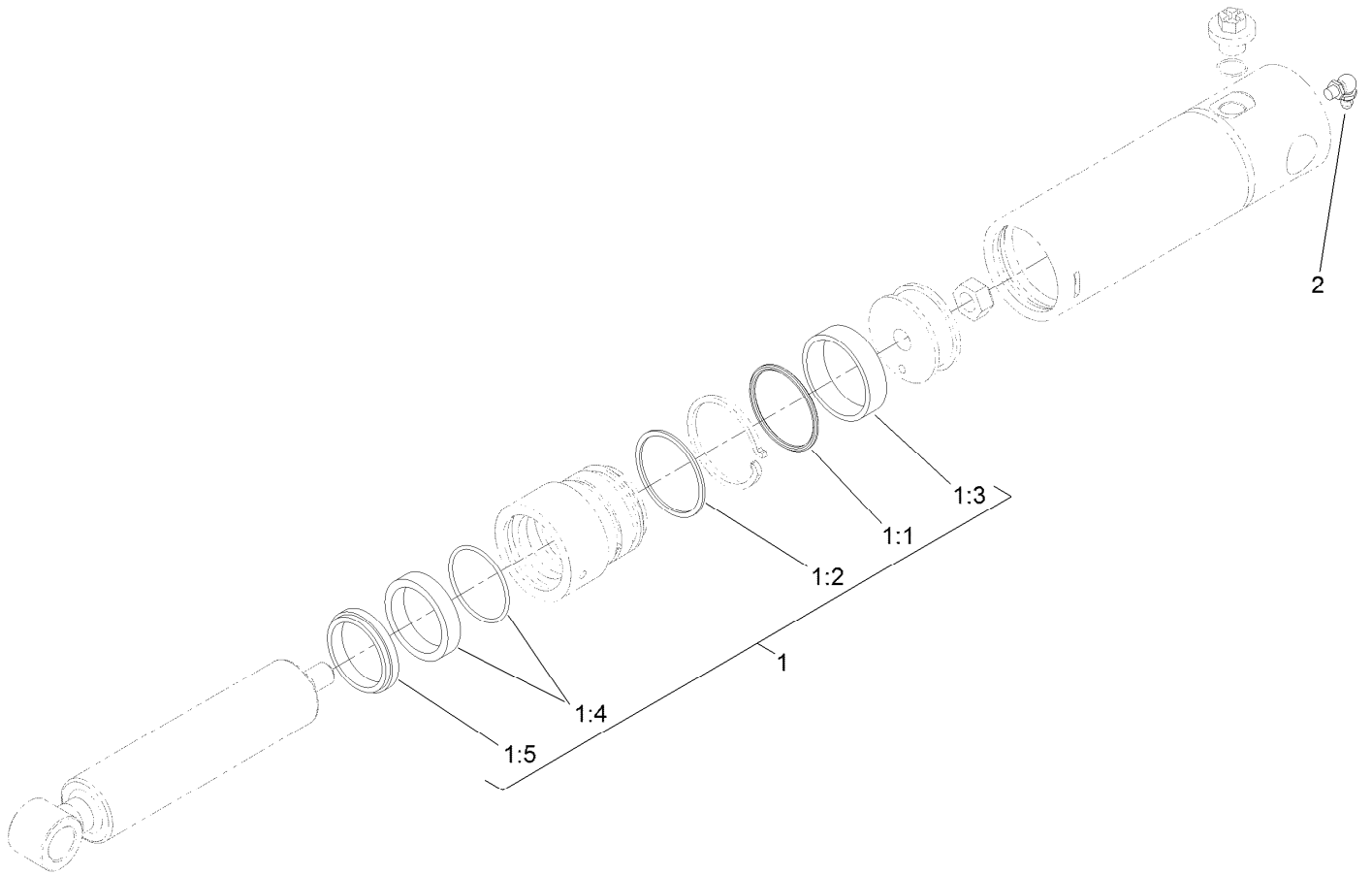
| <i>Ref.</i> | <i>Part Number</i> | <i>Qty.</i> | <i>Description</i> |
|-------------|--------------------|-------------|--------------------|
| 36 | 112-6957 | 1 | Washer-Hardened |
| 37 | 3257-3 | 1 | Key-Woodruff |



Hydraulic Motor Assembly No. 127-3694

| Ref. | Part Number | Qty. | Description |
|------|-------------|------|-------------------------|
| 2 | 110-8815 | 1 | Nut-Hex |
| 3 | 114-5620 | 1 | Seal Kit |
| 3:1 | | 1 | Seal-Shaft ● |
| 3:2 | | 1 | Seal-Shaft ● |
| 3:3 | | 2 | Seal-Anti Extrusion ● |
| 3:4 | | 2 | Seal-Plate, Balancing ● |
| 3:5 | | 2 | O Ring-Housing ● |

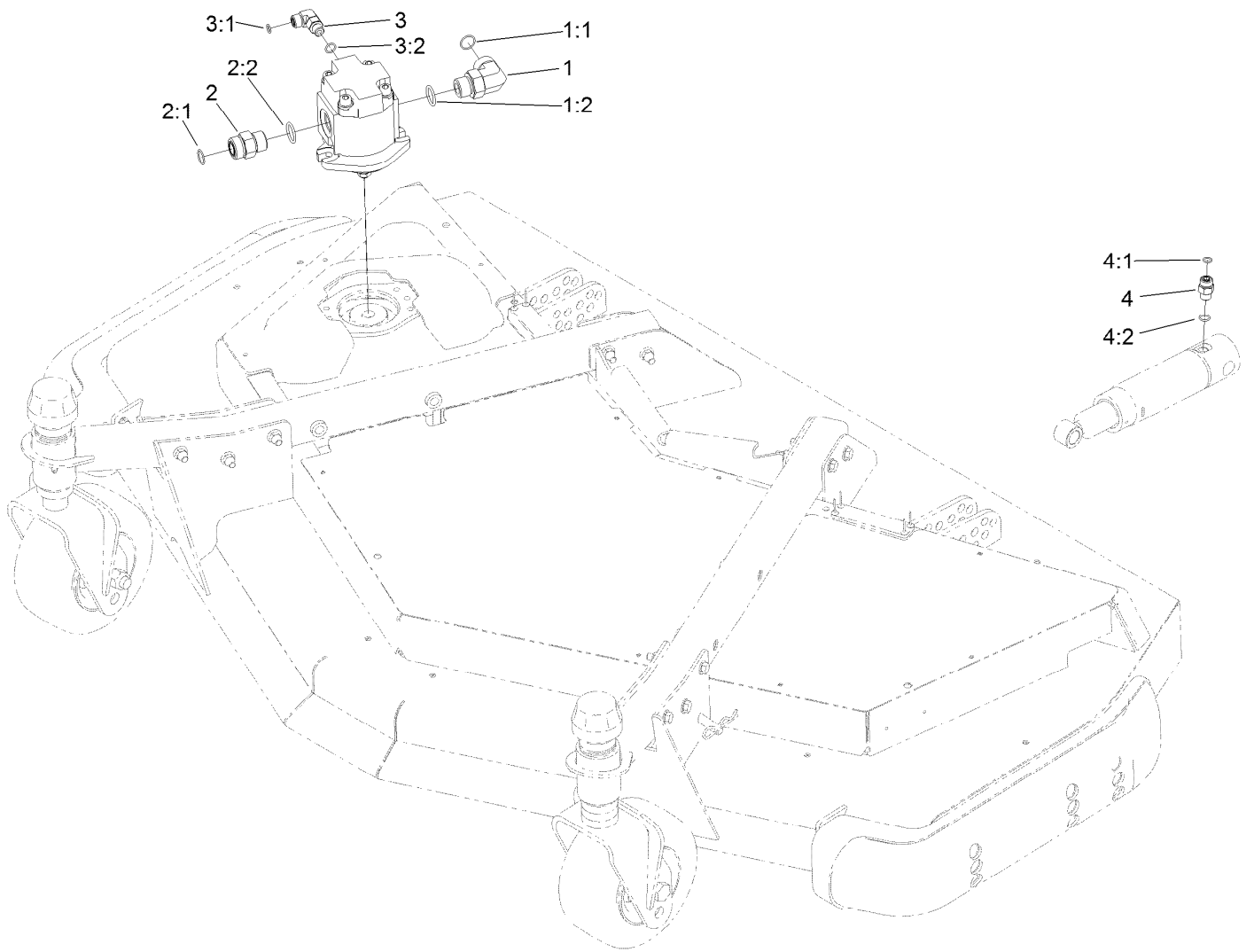
● Not serviced separately



Lift Cylinder Assembly No. 120-8802

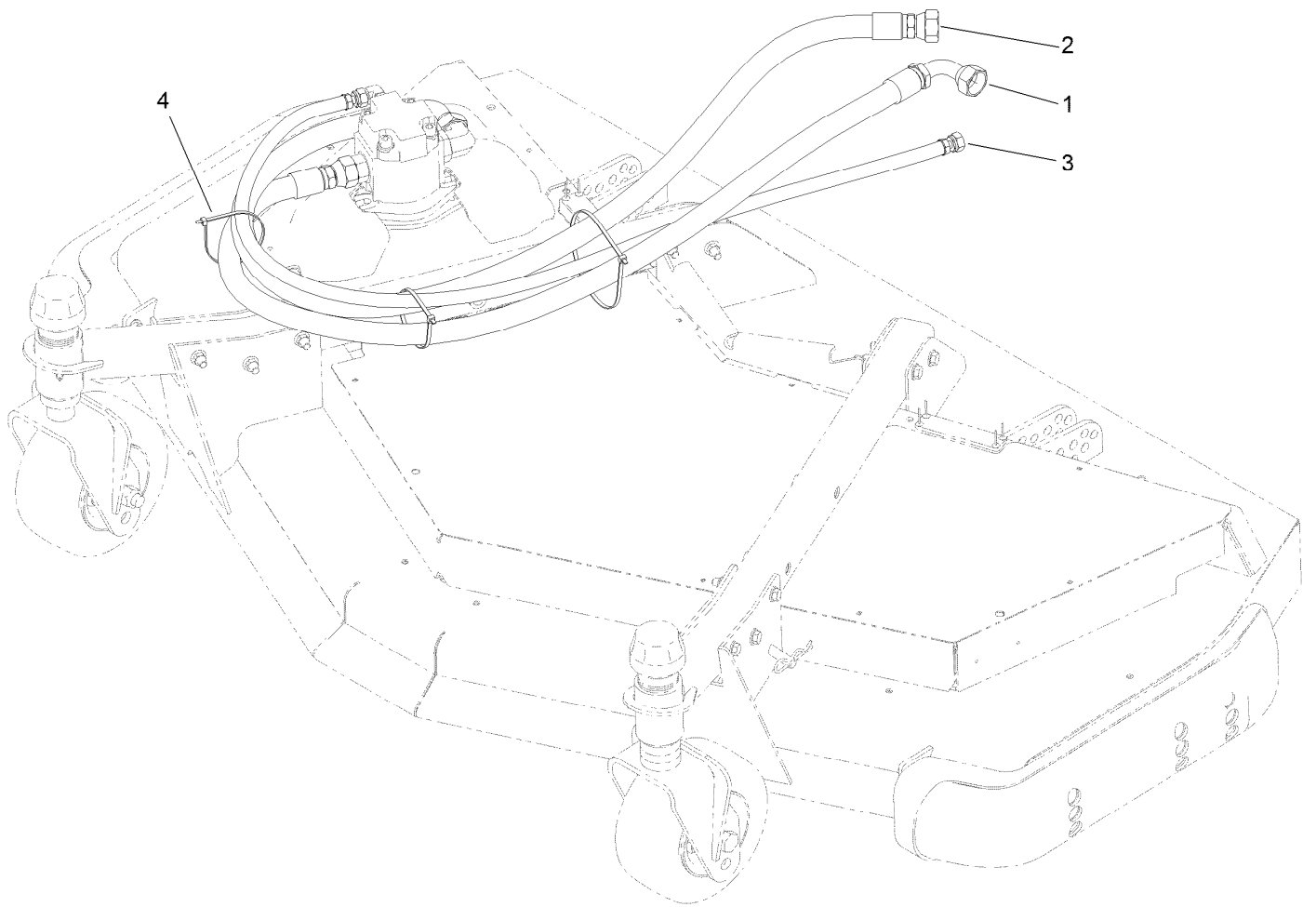
| <i>Ref.</i> | <i>Part Number</i> | <i>Qty.</i> | <i>Description</i> |
|-------------|--------------------|-------------|--------------------|
| 1 | 125-4301 | 1 | Seal Kit |
| 1:1 | | 1 | O-Ring ● |
| 1:2 | | 1 | Backup ● |
| 1:3 | | 1 | Wear Ring ● |
| 1:4 | | 1 | Bds Seal ● |
| 1:5 | | 1 | Dust Seal ● |
| 2 | 302-60 | 1 | Fitting-Grease |

● Not serviced separately



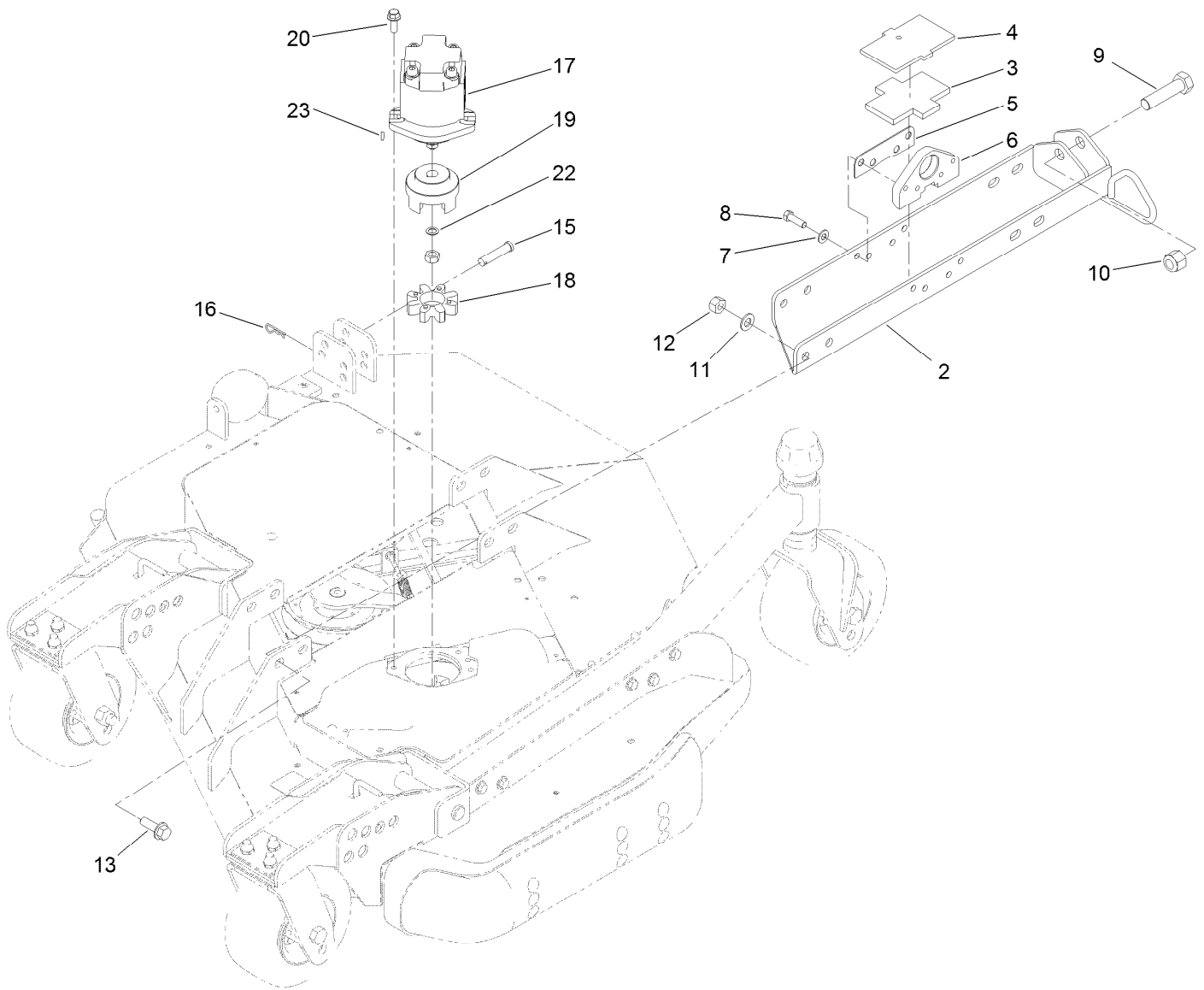
Front Deck Hydraulic Fitting Assembly

| Ref. | Part Number | Qty. | Description |
|------|-------------|------|-----------------------|
| 1 | 340-142 | 1 | Fitting-Elbow, 90 DEG |
| 1:1 | 237-58 | 1 | O-Ring |
| 1:2 | 237-81 | 1 | O-Ring |
| 2 | 340-9 | 1 | Fitting-STR |
| 2:1 | 237-58 | 1 | O-Ring |
| 2:2 | 237-81 | 1 | O-Ring |
| 3 | 340-77 | 1 | Fitting-Elbow, 90 DEG |
| 3:1 | 237-22 | 1 | O-Ring |
| 3:2 | 237-42 | 1 | O-Ring |
| 4 | 340-2 | 2 | Fitting-Straight |
| 4:1 | 237-22 | 1 | O-Ring |
| 4:2 | 237-42 | 1 | O-Ring |



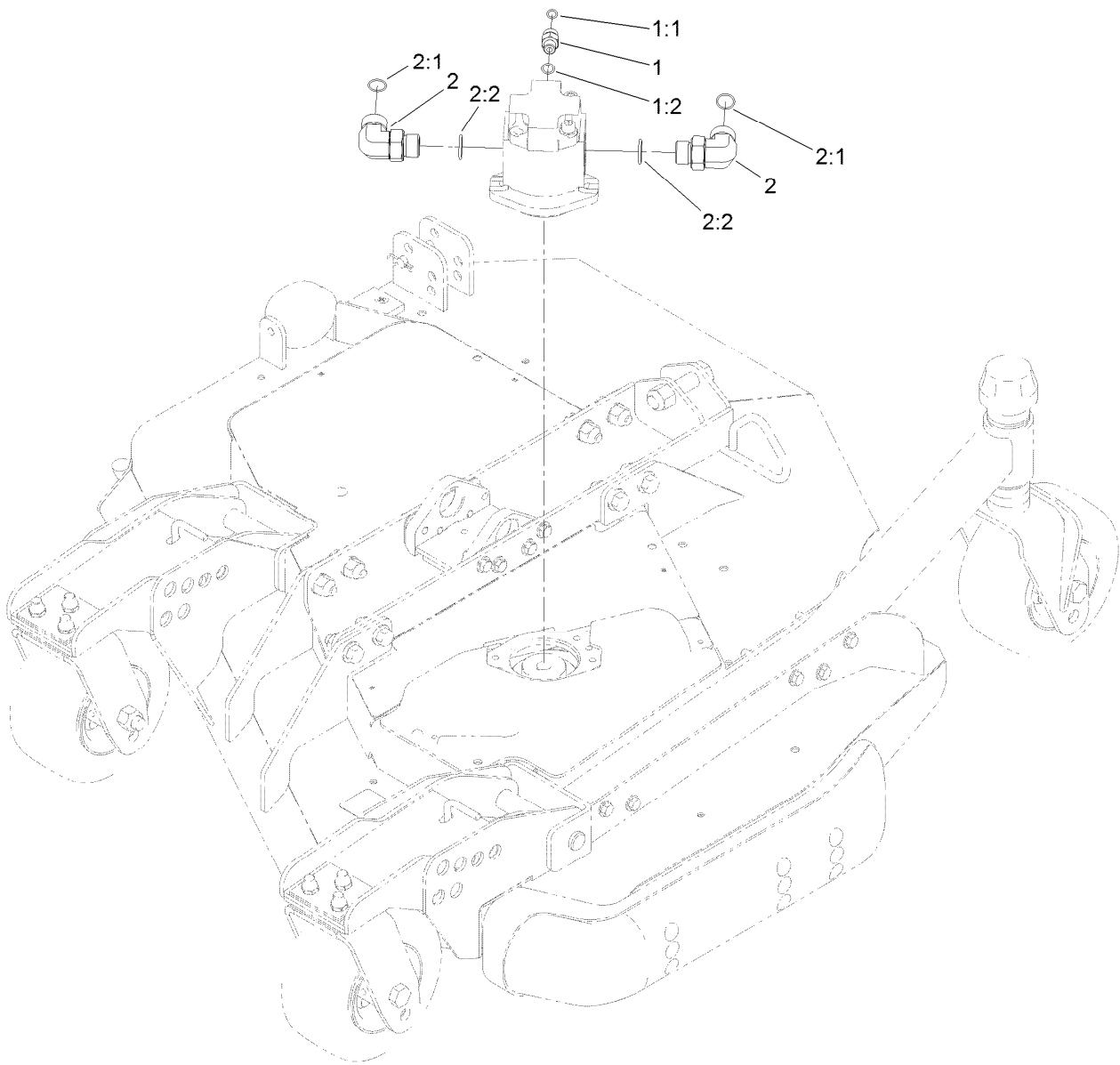
Front Deck Hose Routing Assembly

| <i>Ref.</i> | <i>Part Number</i> | <i>Qty.</i> | <i>Description</i> |
|-------------|--------------------|-------------|--------------------|
| 1 | 120-8987 | 1 | Hose-HYD |
| 2 | 120-8988 | 1 | Hose-HYD |
| 3 | 120-8989 | 1 | Hose-HYD |
| 4 | 3290-379 | 3 | Tie-Cable |



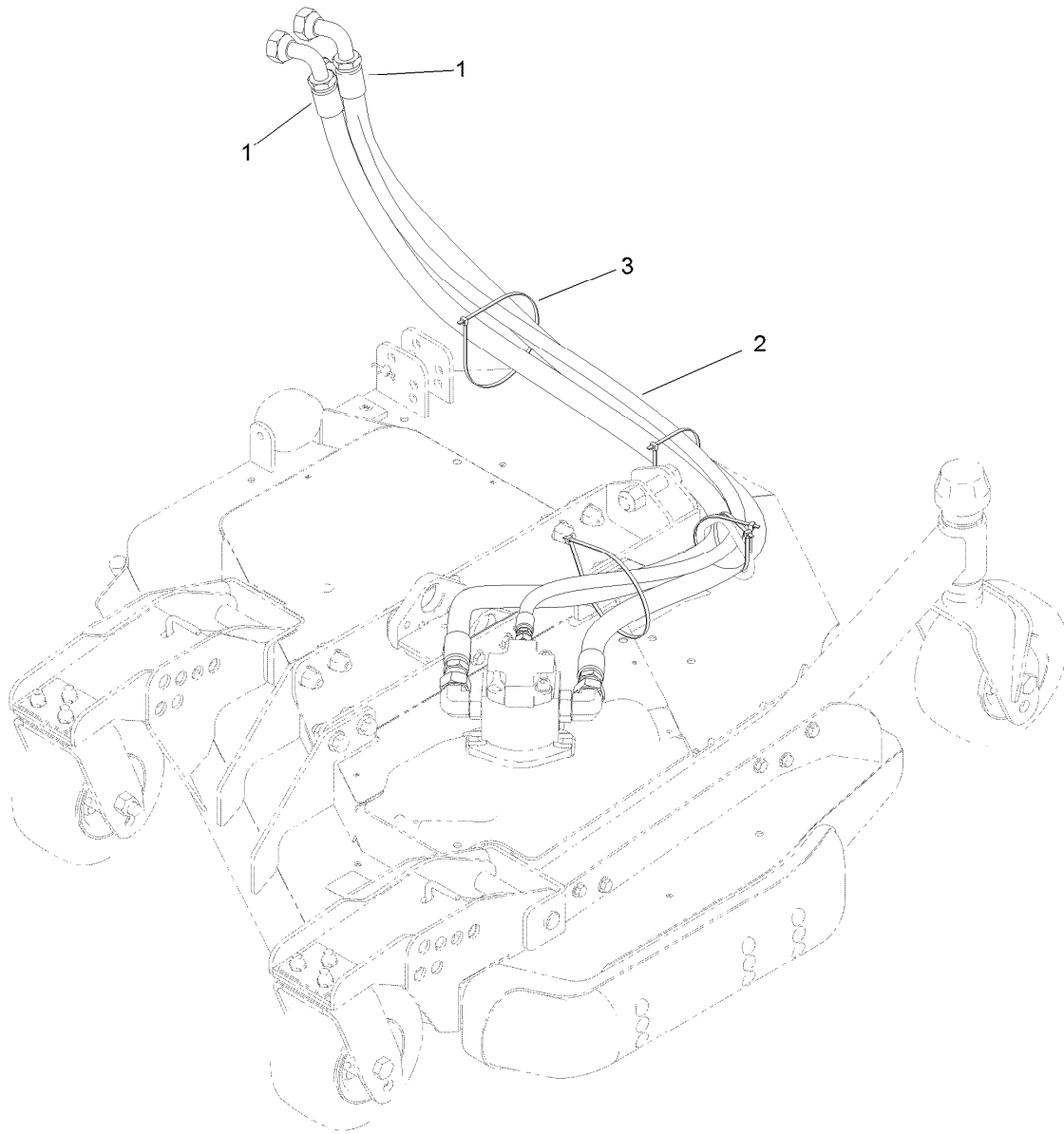
Left Deck Mount Assembly

| <i>Ref.</i> | <i>Part Number</i> | <i>Qty.</i> | <i>Description</i> | <i>Ref.</i> | <i>Part Number</i> | <i>Qty.</i> | <i>Description</i> |
|-------------|--------------------|-------------|--------------------|-------------|--------------------|-------------|--------------------|
| 2 | 100-8149-03 | 1 | Mount-LH | 12 | 3296-25 | 8 | Nut-Lock, NI |
| 3 | 104-8348 | 1 | Plate-Rubber | 13 | 100-6116 | 8 | Screw-HHF |
| 4 | 104-8347-03 | 1 | Plate | 15 | 92-2739 | 1 | Pin-Clevis |
| 5 | 104-0731 | 2 | Shim | 16 | 3290-467 | 1 | Pin-Hair |
| 6 | 104-8305-03 | 2 | Mount-Base | 17 | 127-3694 | 1 | HYD Motor ASM |
| 7 | 3256-24 | 8 | Washer-Flat | 18 | 104-3542 | 1 | Spider |
| 8 | 323-7 | 8 | Screw-HH | 19 | 104-3541 | 1 | Hub-Spider |
| 9 | 328-4 | 1 | Screw-HH | 20 | 3234-42 | 2 | Screw-HHF |
| 10 | 3296-51 | 1 | Nut-Lock, NI | 22 | 112-6957 | 1 | Washer-Hardened |
| 11 | 3256-26 | 8 | Washer-Flat | 23 | 3257-3 | 1 | Key-Woodruff |



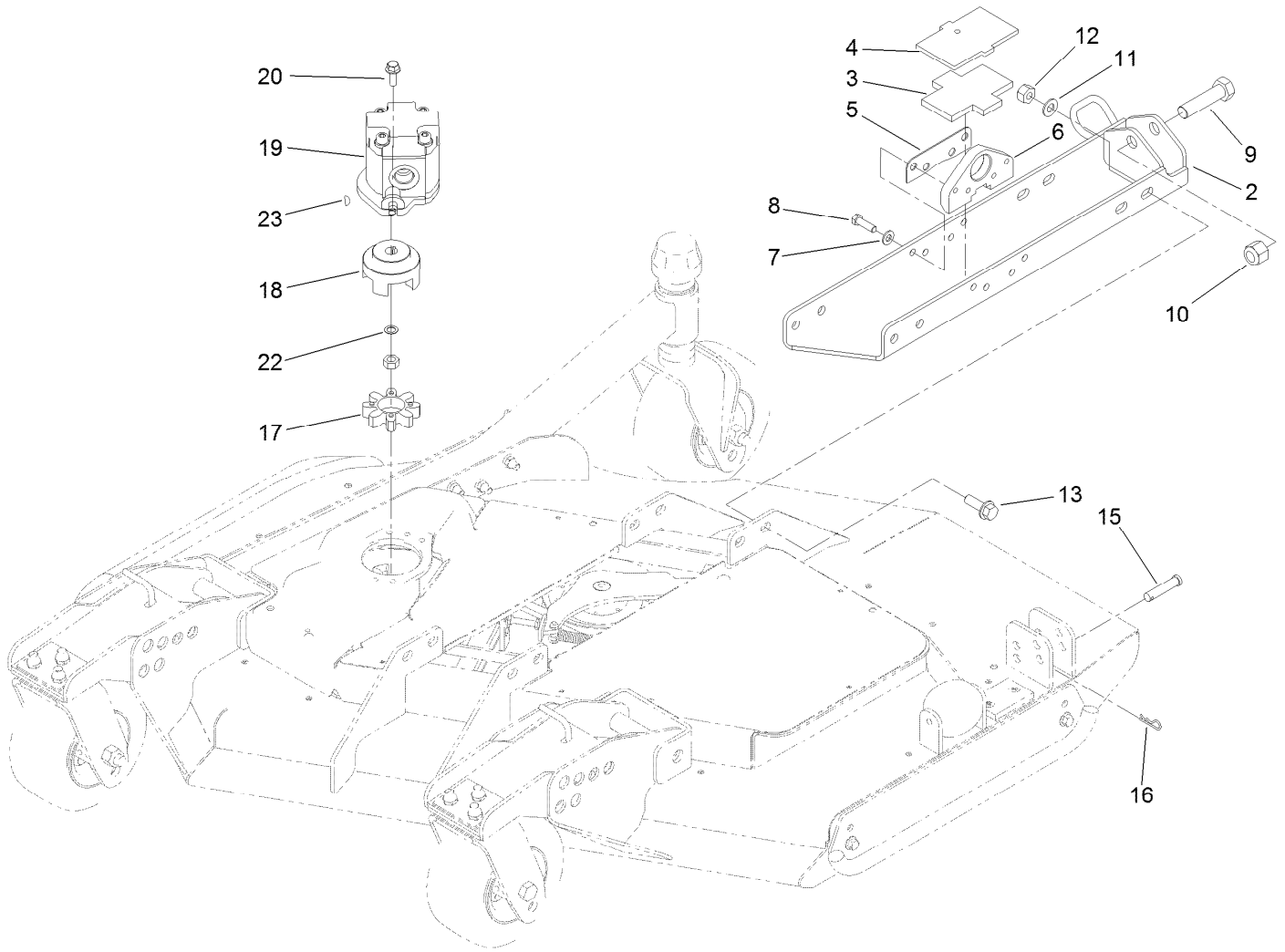
Left Deck Hydraulic Fitting Assembly

| <i>Ref.</i> | <i>Part Number</i> | <i>Qty.</i> | <i>Description</i> |
|-------------|--------------------|-------------|-----------------------|
| 1 | 340-2 | 1 | Fitting-Straight |
| 1:1 | 237-22 | 1 | O-Ring |
| 1:2 | 237-42 | 1 | O-Ring |
| 2 | 340-142 | 2 | Fitting-Elbow, 90 DEG |
| 2:1 | 237-58 | 1 | O-Ring |
| 2:2 | 237-81 | 1 | O-Ring |



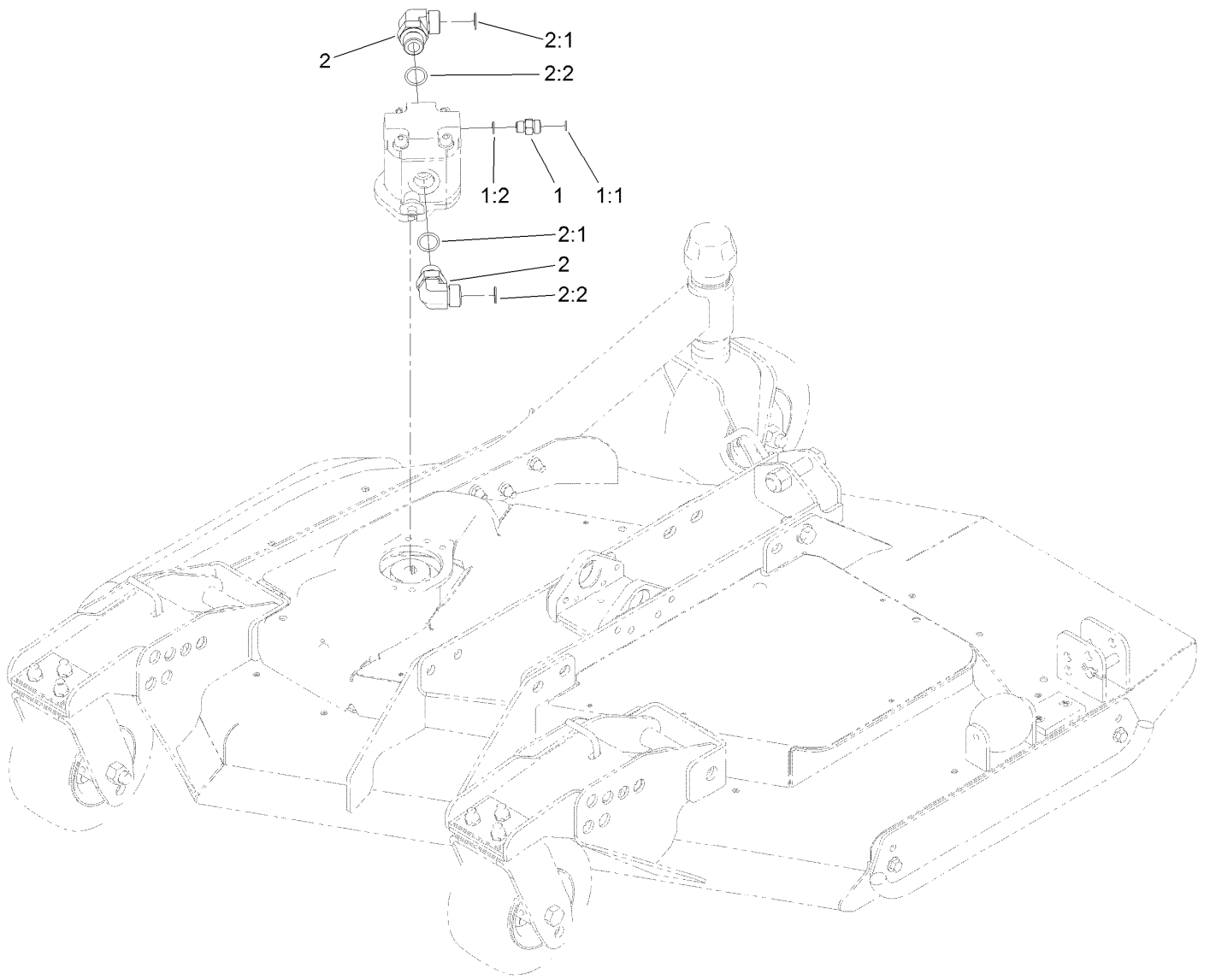
Left Deck Hose Assembly

| <i>Ref.</i> | <i>Part Number</i> | <i>Qty.</i> | <i>Description</i> |
|-------------|--------------------|-------------|--------------------|
| 1 | 120-8959 | 2 | Hose-HYD |
| 2 | 104-2265 | 1 | Hose-HYD |
| 3 | 3290-379 | 5 | Tie-Cable |



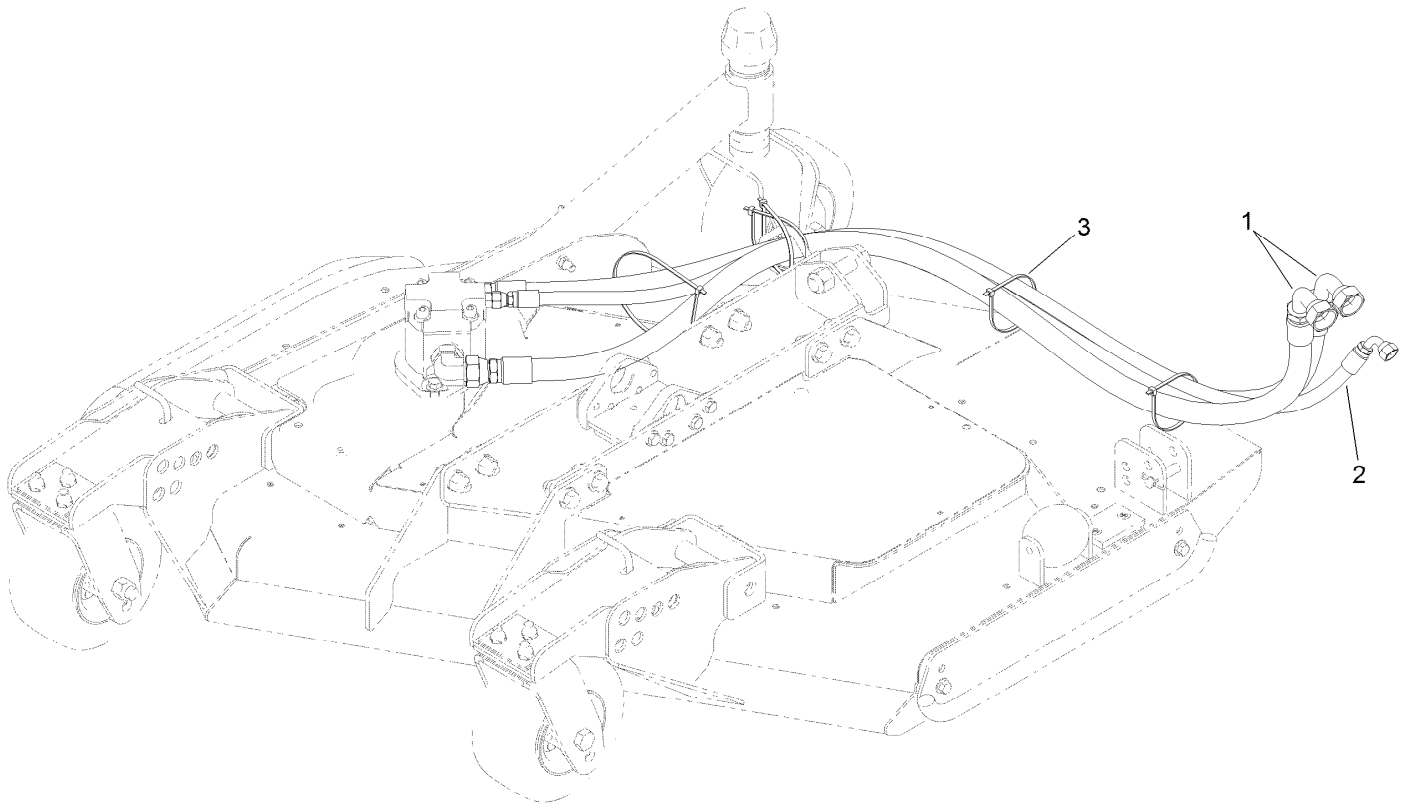
Right Deck Mount Assembly

| <i>Ref.</i> | <i>Part Number</i> | <i>Qty.</i> | <i>Description</i> | <i>Ref.</i> | <i>Part Number</i> | <i>Qty.</i> | <i>Description</i> |
|-------------|--------------------|-------------|--------------------|-------------|--------------------|-------------|--------------------|
| 2 | 100-8148-03 | 1 | Mount-RH | 12 | 3296-25 | 8 | Nut-Lock, NI |
| 3 | 104-8348 | 1 | Plate-Rubber | 13 | 100-6116 | 8 | Screw-HHF |
| 4 | 104-8347-03 | 1 | Plate | 15 | 92-2739 | 1 | Pin-Clevis |
| 5 | 104-0731 | 2 | Shim | 16 | 3290-467 | 1 | Pin-Hair |
| 6 | 104-8305-03 | 2 | Mount-Base | 17 | 104-3542 | 1 | Spider |
| 7 | 3256-24 | 8 | Washer-Flat | 18 | 104-3541 | 1 | Hub-Spider |
| 8 | 323-7 | 8 | Screw-HH | 19 | 127-3694 | 1 | HYD Motor ASM |
| 9 | 328-4 | 1 | Screw-HH | 20 | 3234-42 | 2 | Screw-HHF |
| 10 | 3296-51 | 1 | Nut-Lock, NI | 22 | 112-6957 | 1 | Washer-Hardened |
| 11 | 3256-26 | 8 | Washer-Flat | 23 | 3257-3 | 1 | Key-Woodruff |



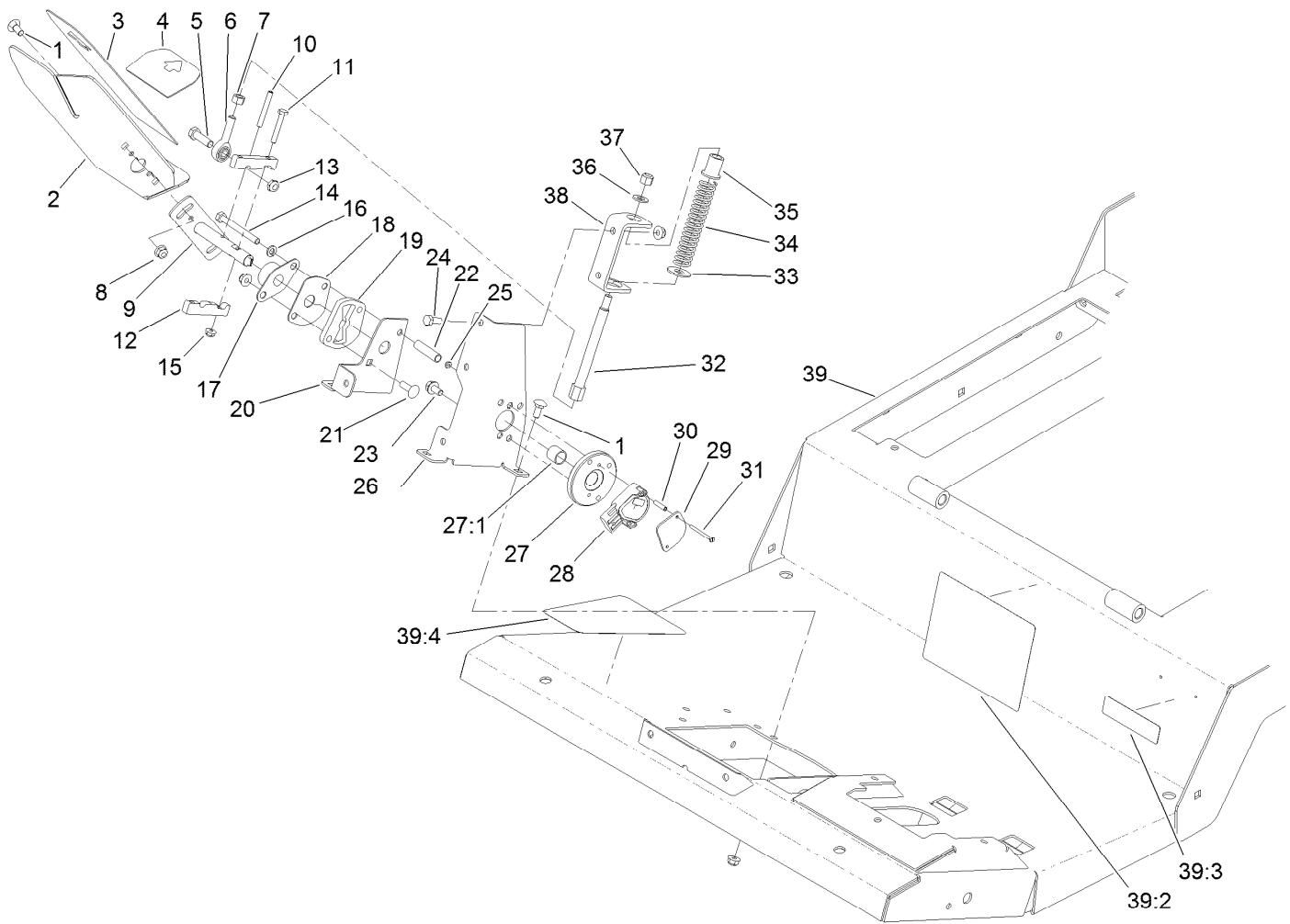
Right Deck Hydraulic Fitting Assembly

| <i>Ref.</i> | <i>Part Number</i> | <i>Qty.</i> | <i>Description</i> |
|-------------|--------------------|-------------|-----------------------|
| 1 | 340-2 | 1 | Fitting-Straight |
| 1:1 | 237-22 | 1 | O-Ring |
| 1:2 | 237-42 | 1 | O-Ring |
| 2 | 340-142 | 2 | Fitting-Elbow, 90 DEG |
| 2:1 | 237-58 | 1 | O-Ring |
| 2:2 | 237-81 | 1 | O-Ring |



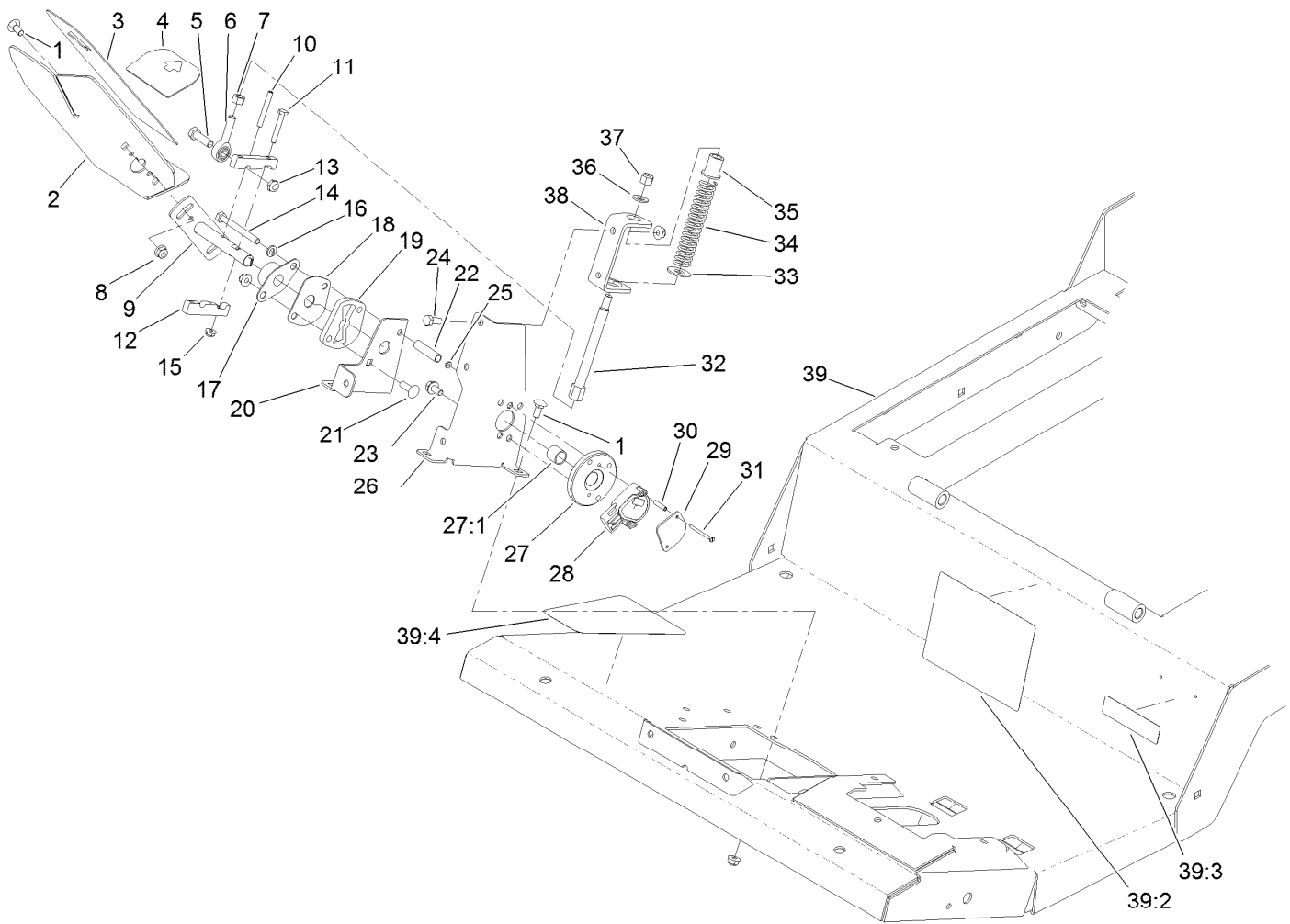
Right Deck Hose Assembly

| <i>Ref.</i> | <i>Part Number</i> | <i>Qty.</i> | <i>Description</i> |
|-------------|--------------------|-------------|--------------------|
| 1 | 120-8959 | 2 | Hose-HYD |
| 2 | 104-2265 | 1 | Hose-HYD |
| 3 | 3290-379 | 5 | Tie-Cable |



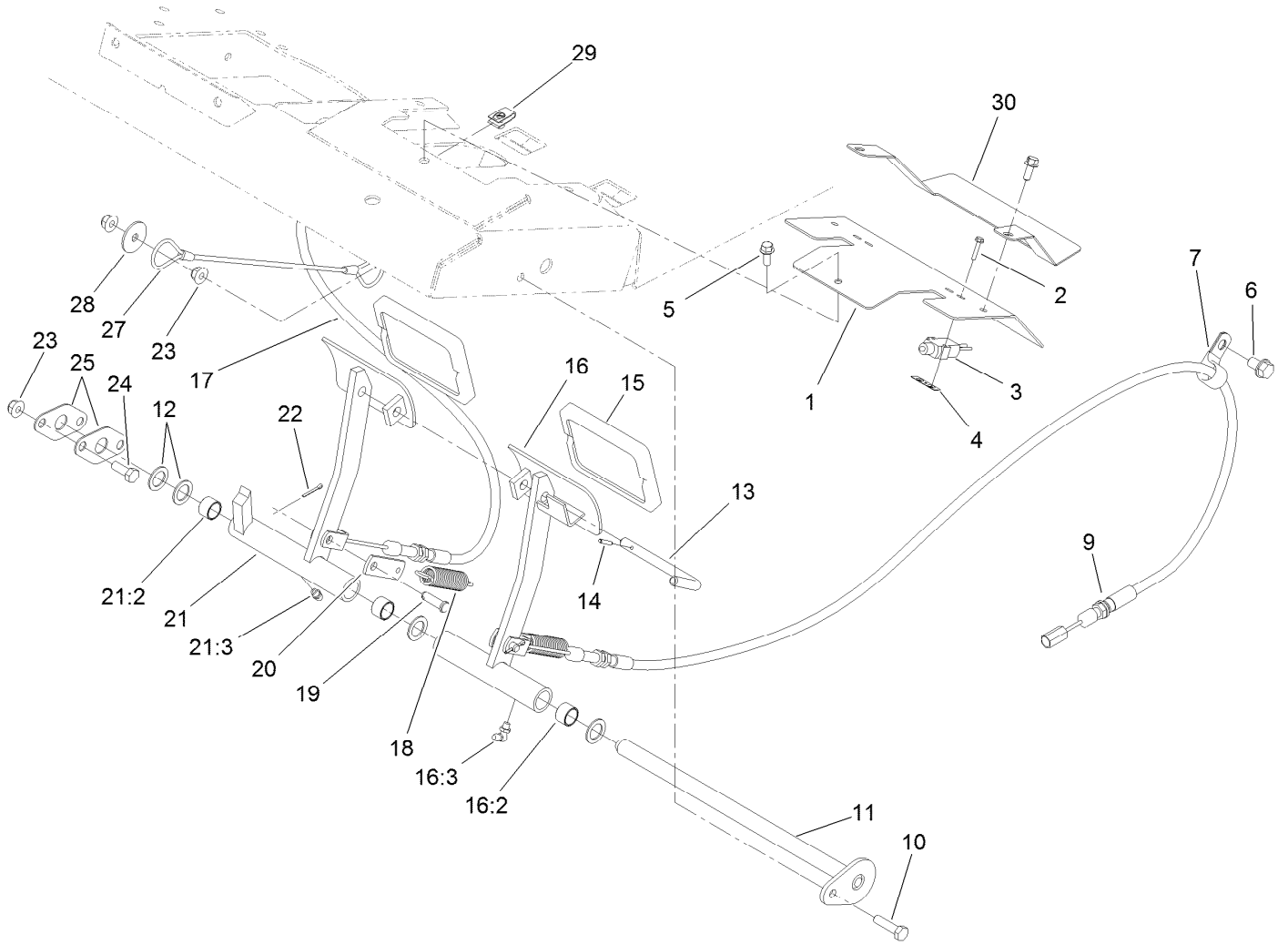
Traction Pedal and Platform Assembly

| <i>Ref.</i> | <i>Part Number</i> | <i>Qty.</i> | <i>Description</i> | <i>Ref.</i> | <i>Part Number</i> | <i>Qty.</i> | <i>Description</i> |
|-------------|--------------------|-------------|-----------------------|-------------|--------------------|-------------|-------------------------------|
| 1 | 3230-1 | 6 | Bolt-CARR | 22 | 93-7960 | 1 | Spacer |
| 2 | 110-5986-01 | 1 | Pedal-Traction | 23 | 114-7728 | 2 | Screw-HF |
| 3 | 93-5347 | 1 | Abrasive-Pedal | 24 | 322-3 | 3 | Screw-HH |
| 4 | 93-5368 | 1 | Abrasive-Pedal | 25 | 3296-9 | 2 | Nut-Hex |
| 5 | 323-7 | 1 | Screw-HH | 26 | 117-5451-01 | 1 | Bracket-Sensor |
| 6 | 2411-36 | 1 | Bearing-End, Rod | 27 | 117-5445 | 1 | Bushing Hub ASM |
| 7 | 3219-3 | 1 | Nut-Hex | 27:1 | 95-7497 | 1 | Bushing-Wheel |
| 8 | 104-8300 | 10 | Nut-HF, NI | 28 | 114-5609 | 1 | Sensor-Position |
| 9 | 117-5450 | 1 | Shaft-Pedal, Traction | 29 | 114-5595 | 1 | Plate-Capture |
| 10 | 32121-78 | 1 | Pin-Roll | 30 | 114-5608 | 2 | Spacer-Standoff |
| 11 | 321-37 | 2 | Screw-HH | 31 | 32105-25 | 2 | Screw-SHH |
| 12 | 117-5459 | 2 | Block-Clamp | 32 | 117-5446 | 1 | Shaft-Spring |
| 13 | 3296-59 | 1 | Nut-Lock, NI | 33 | 3256-5 | 1 | Washer-Flat |
| 14 | 322-14 | 1 | Screw-HH | 34 | 84-9100 | 1 | Spring |
| 15 | 104-7201 | 2 | Nut-HF | 35 | 92-7610 | 1 | Retainer-Spring |
| 16 | 3253-4 | 1 | Washer-Lock | 36 | 3256-24 | 1 | Washer-Flat |
| 17 | 256-236 | 1 | Bearing-Mount, Flange | 37 | 3296-6 | 1 | Nut-Lock |
| 18 | 117-5455 | 1 | Plate-Cover | 38 | 117-5452-01 | 1 | Bracket-Spring |
| 19 | 117-5454 | 1 | Plate-Butterfly | 39 | 120-4087 | 1 | Platform ASM |
| 20 | 117-5453-01 | 1 | Bracket-Butterfly | 39:2 | 114-0846 | 1 | Decal-Instructions, Operating |
| 21 | 3230-22 | 1 | Screw-CARR | | | | |



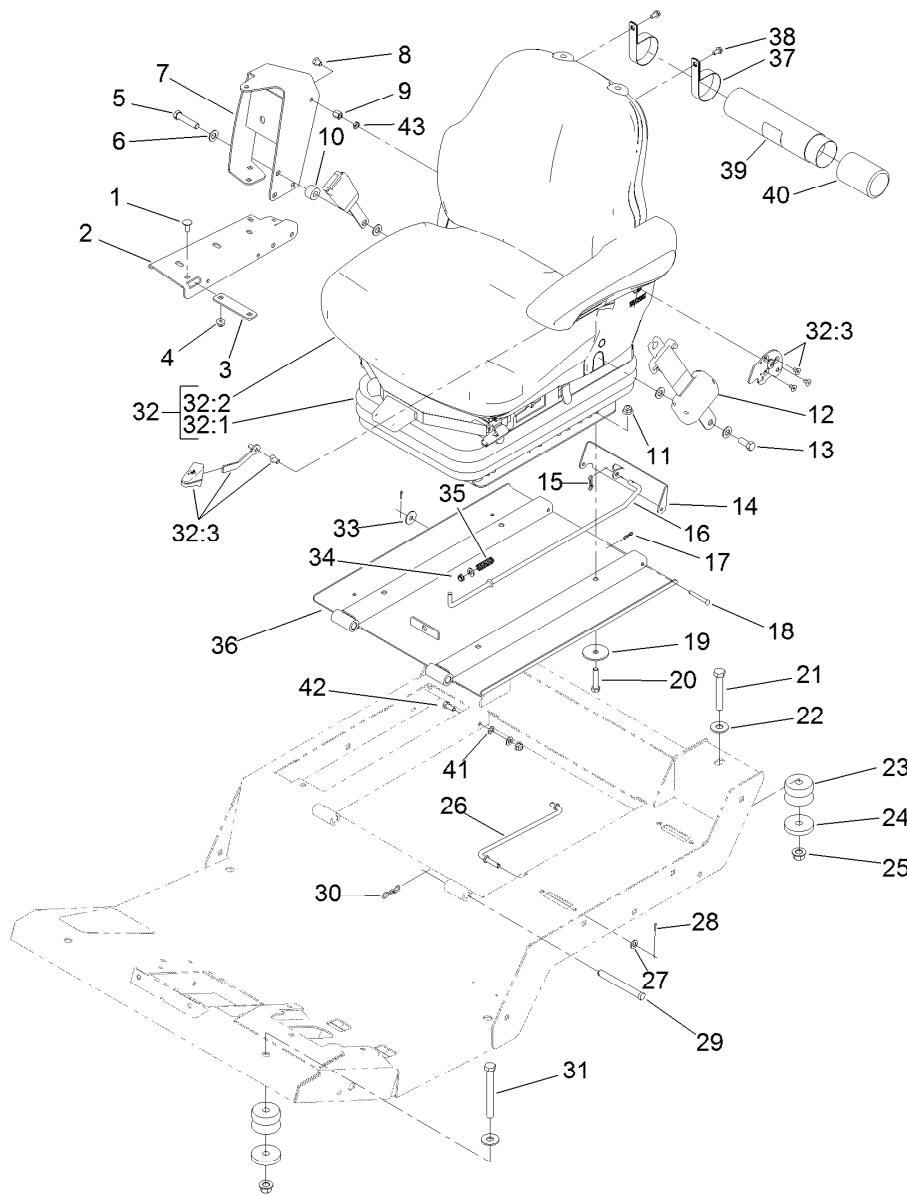
Traction Pedal and Platform Assembly (continued)

| <i>Ref.</i> | <i>Part Number</i> | <i>Qty.</i> | <i>Description</i> |
|-------------|--------------------|-------------|-----------------------|
| 39:3 | 117-2718 | 1 | Decal-Arrester, Spark |
| 39:4 | 114-0849 | 1 | Decal-Pedal, Traction |



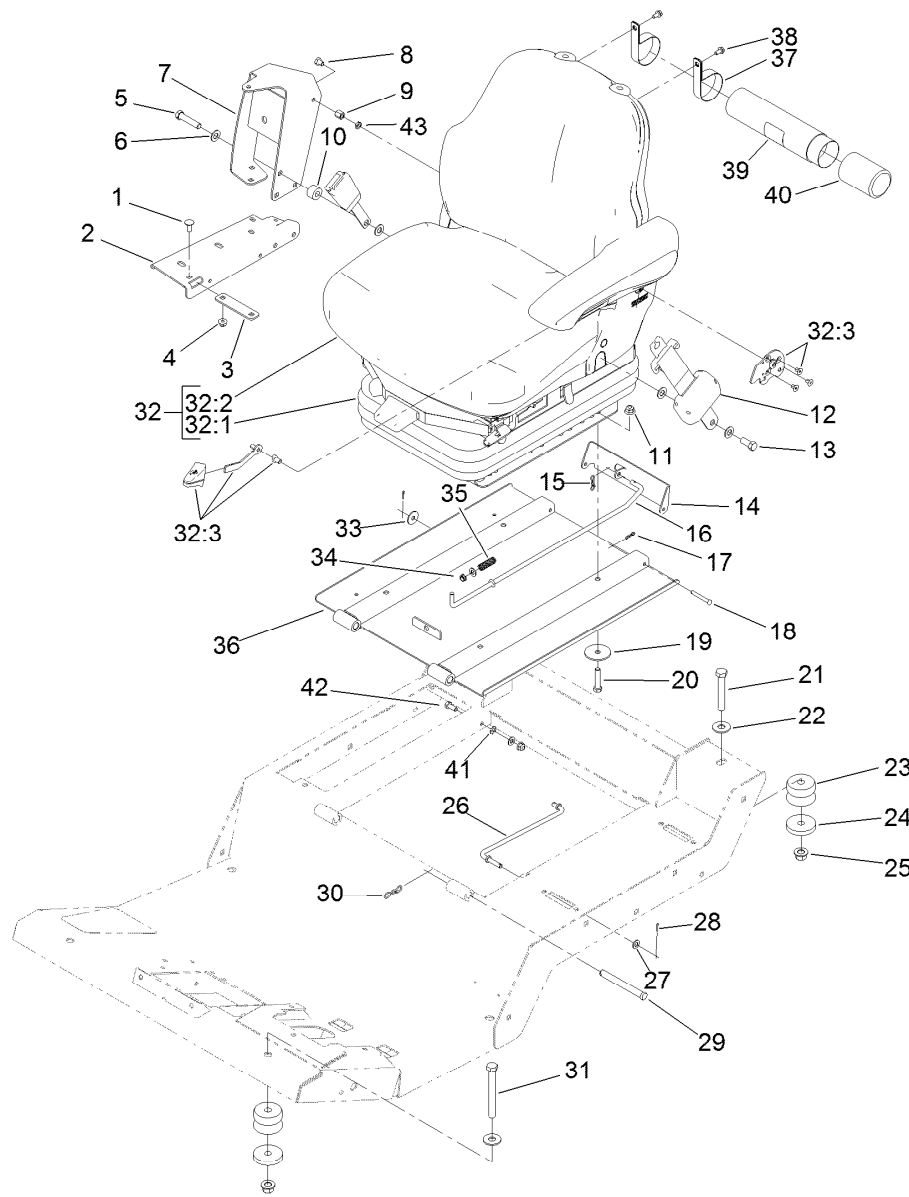
Brake Pedal Assembly

| Ref. | Part Number | Qty. | Description | Ref. | Part Number | Qty. | Description |
|------|-------------|------|--------------------|------|-------------|------|--------------------|
| 1 | 120-4163-01 | 1 | Cover-Brake | 16:3 | 302-60 | 1 | Fitting-Grease |
| 2 | 117-5458 | 4 | Screw-HHF | 17 | 120-8898 | 1 | Cable-Brake, RH |
| 3 | 99-3410 | 2 | Switch | 18 | 93-5262 | 2 | Spring-Extension |
| 4 | 108-9824 | 2 | Nut-Switch | 19 | 283-61 | 2 | Pin-Yoke |
| 5 | 3234-33 | 3 | Screw-HHF | 20 | 100-5540 | 2 | Strap-Brake |
| 6 | 32144-69 | 2 | Screw-HWHTF | 21 | 75-1430 | 1 | RH Brake Pedal ASM |
| 7 | 2412-4 | 2 | Clamp-R | 21:2 | 256-42 | 2 | Bushing |
| 9 | 120-8899 | 1 | Cable-Brake, LH | 21:3 | 302-5 | 1 | Fitting-Grease |
| 10 | 322-6 | 1 | Screw-HH | 22 | 3272-6 | 2 | Pin-Cotter |
| 11 | 120-4167 | 1 | Pin-Flag | 23 | 104-8300 | 4 | Nut-HF, NI |
| 12 | 3256-69 | 4 | Washer-Flat | 24 | 322-4 | 2 | Screw-HH |
| 13 | 63-7880 | 1 | Pin-Latch, Brake | 25 | 120-4168 | 2 | Plate-Support |
| 14 | 32121-50 | 1 | Pin-Spring | 27 | 110-4896 | 1 | Lanyard |
| 15 | 93-8742 | 2 | Footpad-Brake | 28 | 3256-57 | 1 | Washer-Flat |
| 16 | 120-4170 | 1 | LH Brake Pedal ASM | 29 | 107069 | 3 | Clip |
| 16:2 | 256-42 | 2 | Bushing | 30 | 121-1596-01 | 1 | Cover-Brakes |



Seat Base and Seat Assembly

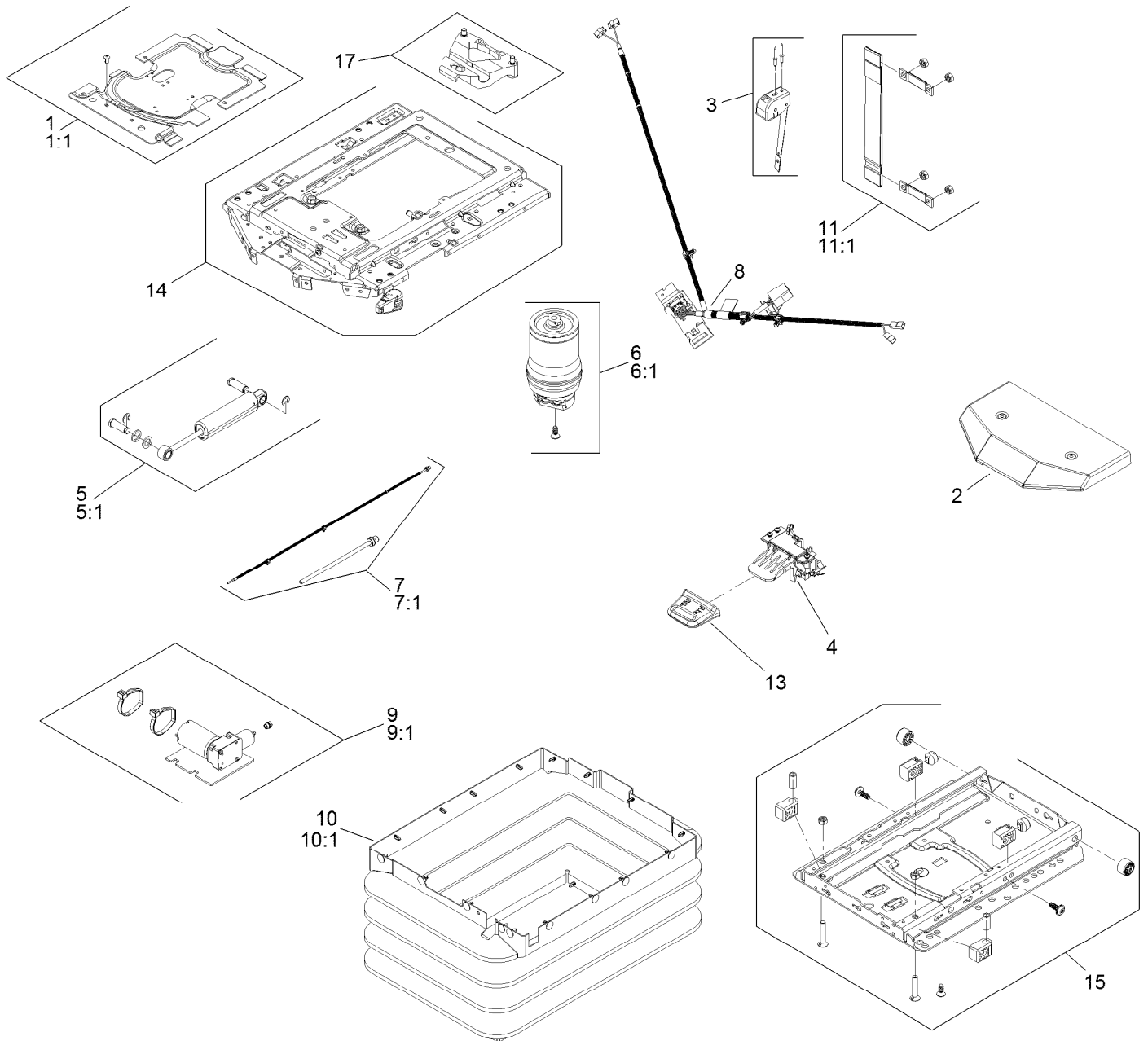
| Ref. | Part Number | Qty. | Description | Ref. | Part Number | Qty. | Description |
|------|-------------|------|----------------------|------|-------------|------|--------------------------|
| 1 | 3230-23 | 6 | Screw-CARR | 22 | 3256-6 | 4 | Washer-Flat |
| 2 | 119-0000-03 | 1 | Channel-Support | 23 | 110-5954 | 4 | Mount-Center, Bonded |
| 3 | 112-7449-03 | 1 | Bracket-Support | 24 | 115-5519 | 4 | Washer-Plain |
| 4 | 104-8300 | 7 | Nut-HF, NI | 25 | 99-5107 | 4 | Nut-Lock |
| 5 | 3212-8 | 1 | Screw-HH | 26 | 93-5338 | 1 | Rod-Prop |
| 6 | 3256-25 | 4 | Washer-Flat | 27 | 3256-23 | 3 | Washer-Plain |
| 7 | 117-4798-03 | 1 | Arm-Support | 28 | 3272-5 | 2 | Pin-Cotter |
| 8 | 108-8646 | 1 | Screw-HH, Lock | 29 | 283-83 | 2 | Pin-Clevis |
| 9 | 112-7405 | 1 | Nut-Hex, Coupling | 30 | 119-1416 | 2 | Pin-Cotter, Locking |
| 10 | 17-7190 | 1 | Spacer-Finger | 31 | 702093 | 2 | Screw-HH |
| 11 | 104-8301 | 4 | Nut-HF, NI | 32 | 130-2701 | 1 | Seat And Suspension ASM |
| 12 | 110-0413 | 1 | Seatbelt-Retractable | 32:1 | 130-2702 | 1 | Air Ride Seat Suspension |
| 13 | 3212-4 | 1 | Screw-HH | 32:2 | 117-5676 | 1 | Premium Seat ASM |
| 14 | 120-9017-03 | 1 | Latch-Seat | 32:3 | 132-1304 | 1 | Backrest Adjustment Kit |
| 15 | 119-1415 | 1 | Pin-Cotter, Locking | 33 | 3256-82 | 1 | Washer-Flat |
| 16 | 120-9018 | 1 | Rod-Latch | 34 | 5979 | 1 | Bushing-Nyliner |
| 17 | 119-1414 | 2 | Pin-Cotter, Locking | 35 | 95-1821-03 | 1 | Spring-Compression |
| 18 | 283-57 | 2 | Pin-Clevis | 36 | 120-4078-03 | 1 | Plate-Seat |
| 19 | 83-1040 | 4 | Washer-Flat | 37 | 2412-133 | 2 | Clamp-R |
| 20 | 323-9 | 4 | Screw-HH | 38 | 32104-116 | 2 | Screw-HWHTF |
| 21 | 112-7264 | 2 | Screw-HH | 39 | 104-7050 | 1 | Tube-Manual |



Seat Base and Seat Assembly (continued)

| <i>Ref.</i> | <i>Part Number</i> | <i>Qty.</i> | <i>Description</i> | <i>Ref.</i> | <i>Part Number</i> | <i>Qty.</i> | <i>Description</i> |
|-------------|--------------------|-------------|--------------------|-------------|--------------------|-------------|--------------------|
| 40 | 104-7048 | 1 | Cap-Housing | 42 | 322-3 | 1 | Screw-HH |
| 41 | 3255-8 | 1 | Washer-Lock | 43 | 117-4059 | 1 | Nut-Hex |

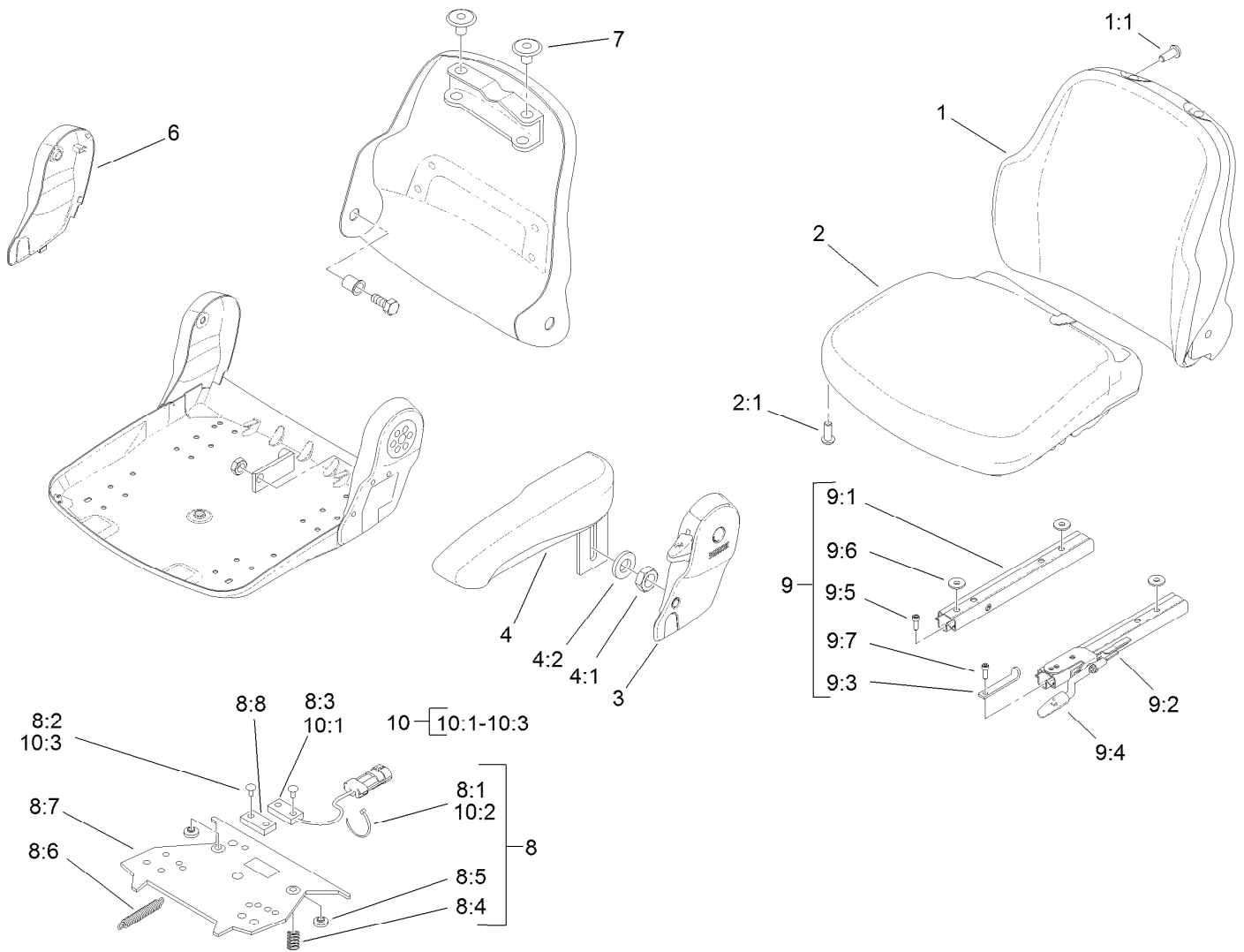
Seat Suspension Assembly No. 130-2702



Seat Suspension Assembly No. 130-2702 (continued)

| <i>Ref.</i> | <i>Part Number</i> | <i>Qty.</i> | <i>Description</i> | <i>Ref.</i> | <i>Part Number</i> | <i>Qty.</i> | <i>Description</i> |
|-------------|--------------------|-------------|--------------------|-------------|--------------------|-------------|-------------------------|
| 1 | 130-2709 | 1 | Cover ASM | 9 | 130-2719 | 1 | Compressor |
| 1:1 | 130-2710 | 1 | Cover Kit | 9:1 | 130-2720 | 1 | Compressor Kit |
| 2 | 108-8027 | 1 | Cover | 10 | 130-2721 | 1 | Bellows ASM |
| 3 | 130-2711 | 1 | Control-Level | 10:1 | 130-2722 | 1 | Bellows Kit |
| 4 | 108-8029 | 1 | Valve-Control, Air | 11 | 130-2723 | 1 | Tether |
| 5 | 130-2712 | 1 | Shock Absorber ASM | 11:1 | 130-2724 | 1 | Tether Kit |
| 5:1 | 130-2713 | 1 | Shock Absorber Kit | 12 | 130-2725 | 1 | Wear Parts Kit ● |
| 6 | 130-2714 | 1 | Air Spring ASM | 13 | 130-2726 | 1 | Handle |
| 6:1 | 130-2715 | 1 | Air Spring Kit | 14 | 130-2727 | 1 | Upper Suspension Kit |
| 7 | 130-2716 | 1 | Air Tube ASM | 15 | 130-2728 | 1 | Lower Suspension Kit |
| 7:1 | 130-2717 | 1 | Air Tube Kit | 16 | 130-2729 | 1 | Adjuster Mounting Kit ● |
| 8 | 130-2718 | 1 | Harness-Wire | 17 | 130-2730 | 1 | Limiters-Thrust |

● Not illustrated

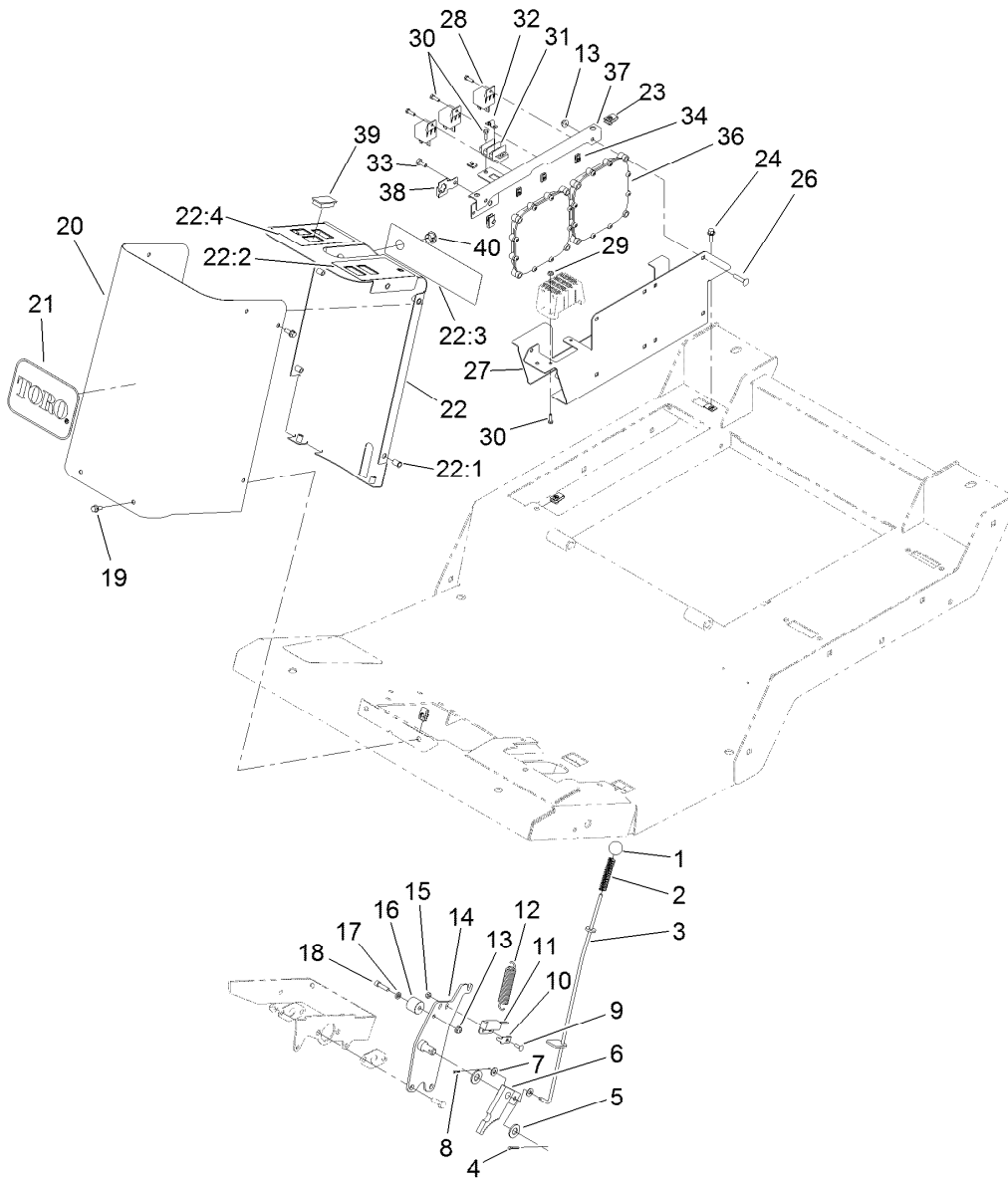


Vinyl Premium Seat Assembly No. 117-5676

| Ref. | Part Number | Qty. | Description |
|------|-------------|------|-------------------------|
| 1 | 108-8016 | 1 | Backrest Cushion ASM |
| 1:1 | 119-7742 | 4 | Screw-Cushion |
| 2 | 108-8017 | 1 | Seat Cushion ASM |
| 2:1 | 119-7742 | 3 | Screw-Cushion |
| 3 | 108-8018 | 1 | Cover-Armrest |
| 4 | 108-8019 | 1 | LH Armrest ASM |
| 4:1 | 82-9650 | 1 | Nut |
| 4:2 | 107-1198 | 1 | Washer |
| 6 | 108-8021 | 1 | Cover-Armrest |
| 7 | 108-8022 | 2 | Cover-Black |
| 8 | 108-8024 | 1 | Switch Kit |
| 8:1 | | 3 | Wire Tie ● |
| 8:2 | | 4 | Rivet ● |
| 8:3 | | 1 | Sensor-Seat Switch ● |
| 8:4 | | 2 | Spring-Compression ● |
| 8:5 | | 2 | Bumper-Pressure Plate ● |

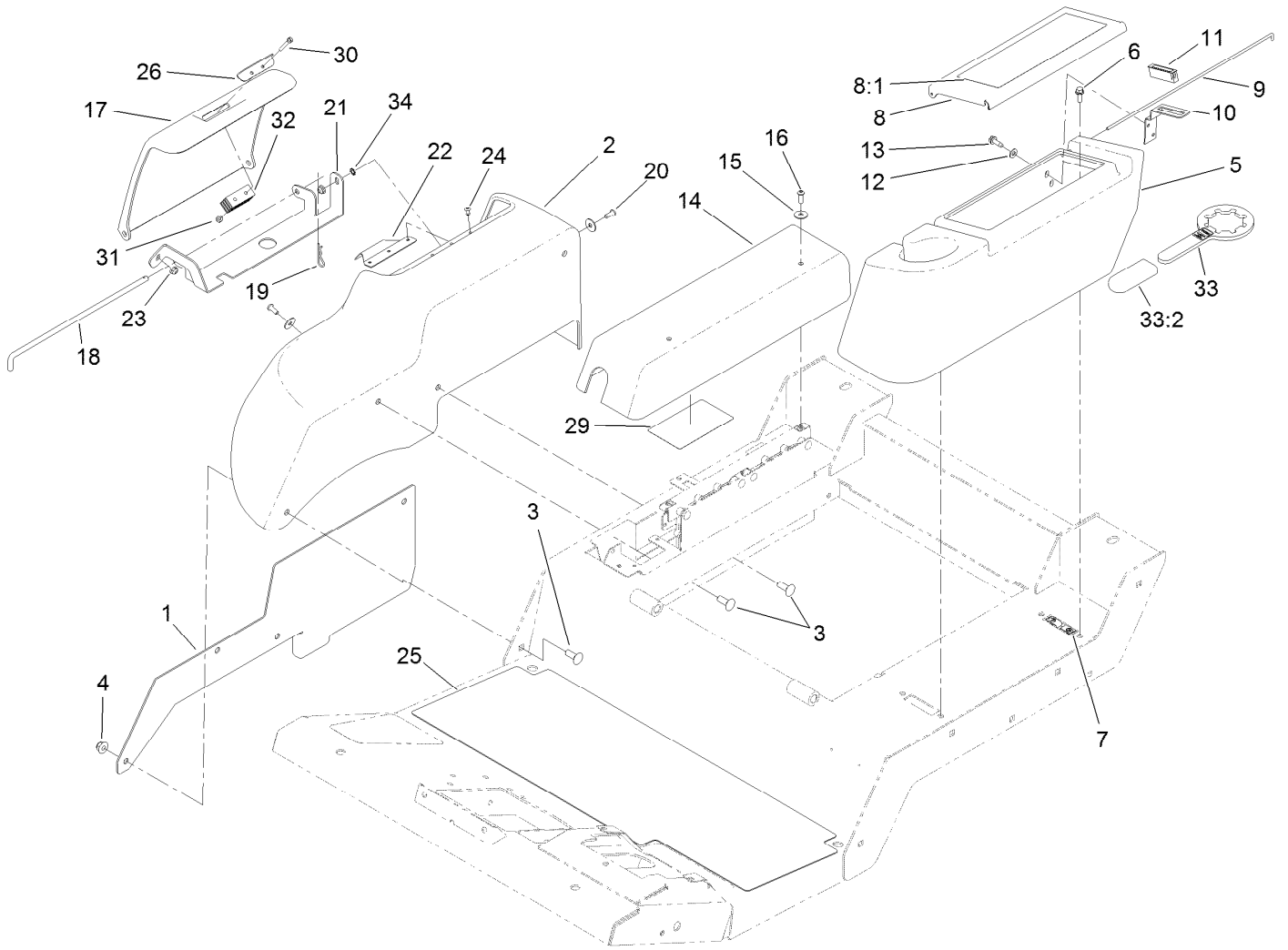
| Ref. | Part Number | Qty. | Description |
|------|-------------|------|-----------------------|
| 8:6 | | 1 | Spring-Extension ● |
| 8:7 | | 1 | Plate-Mounting ● |
| 8:8 | | 1 | Magnet ● |
| 9 | 108-8025 | 1 | Adjustment Rail Set |
| 9:1 | | 1 | Rail-Adjustment, RH ● |
| 9:2 | | 1 | Rail-Adjustment, LH ● |
| 9:3 | | 1 | Stop-Rail ● |
| 9:4 | | 1 | Handle ● |
| 9:5 | | 3 | Screw ● |
| 9:6 | | 3 | Washer ● |
| 9:7 | | 1 | Screw ● |
| 10 | 110-6189 | 1 | Switch Kit |
| 10:1 | | 1 | Switch ● |
| 10:2 | | 3 | Wire Tie ● |
| 10:3 | | 2 | Rivet ● |

● Not serviced separately



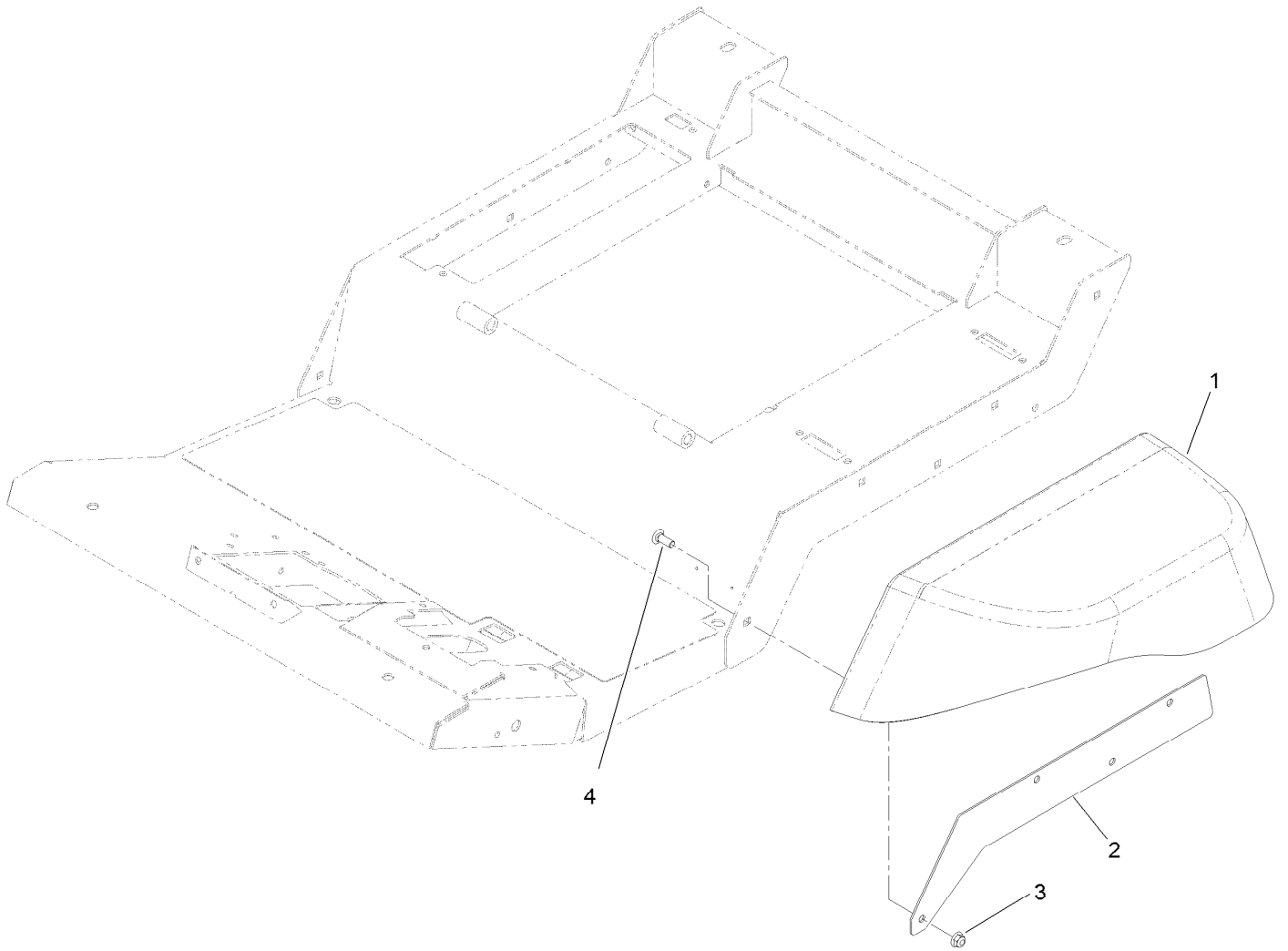
Parking Brake, Steering Tower and Power Center Assembly

| Ref. | Part Number | Qty. | Description | Ref. | Part Number | Qty. | Description |
|------|-------------|------|-----------------------------|------|-------------|------|--------------------------|
| 1 | 233-17 | 1 | Knob | 22 | 120-4165 | 1 | Steering Tower ASM |
| 2 | 71-8310 | 1 | Spring-Compression | 22:1 | 32148-6 | 8 | Nut-Clinch |
| 3 | 114-0195 | 1 | Rod-Parking, Brake | 22:2 | 120-4130 | 1 | Decal-Steering Tower, LH |
| 4 | 3272-10 | 1 | Pin-Cotter | 22:3 | 114-0845 | 1 | Decal-Column, Steering |
| 5 | 3256-26 | 2 | Washer-Flat | 22:4 | 120-4129 | 1 | Decal-Steering Tower, RH |
| 6 | 63-7900-03 | 1 | Rack | 23 | 107069 | 7 | Clip |
| 7 | 3256-22 | 2 | Washer-Flat | 24 | 3234-4 | 2 | Screw-HHF |
| 8 | 3272-5 | 1 | Pin-Cotter | 26 | 3229-3 | 8 | Screw-CARR |
| 9 | 3229-34 | 1 | Screw-CARR | 27 | 120-4093-03 | 1 | Mount-Power |
| 10 | 100-4872 | 1 | Plate-Switch, Neutral | 28 | 99-7435 | 3 | Relay |
| 11 | 100-1270 | 1 | Switch-Proximity | 29 | 3296-12 | 2 | Nut-Lock, NI |
| 12 | 13-0480 | 1 | Spring | 30 | 3290-134 | 7 | Screw |
| 13 | 104-7201 | 9 | Nut-HF | 31 | 42862 | 1 | Block-Terminal, Ground |
| 14 | 114-0190-03 | 1 | Pivot-Parking, Brake | 32 | 42863 | 1 | Strip-Jumper |
| 15 | 3296-2 | 1 | Nut-Lock, NI | 33 | 321-3 | 1 | Screw-HH |
| 16 | 117-5499 | 1 | Spacer-Deflector | 34 | 107-1013 | 5 | Nut-Speed |
| 17 | 55-9620 | 1 | Spacer-Plate, Pivot | 36 | 114-3321 | 2 | Controller-Tec |
| 18 | 3274-9 | 1 | Screw-HSH | 37 | 120-4127-03 | 1 | Mount-Relay |
| 19 | 3234-33 | 10 | Screw-HHF | 38 | 114-5502 | 1 | Clip-Fuse |
| 20 | 120-4136-01 | 1 | Cover-Steering Tower, Front | 39 | 99-7420 | 5 | Plug-Hole |
| 21 | 62-5550 | 1 | Decal | 40 | 94-5627 | 1 | Plug |



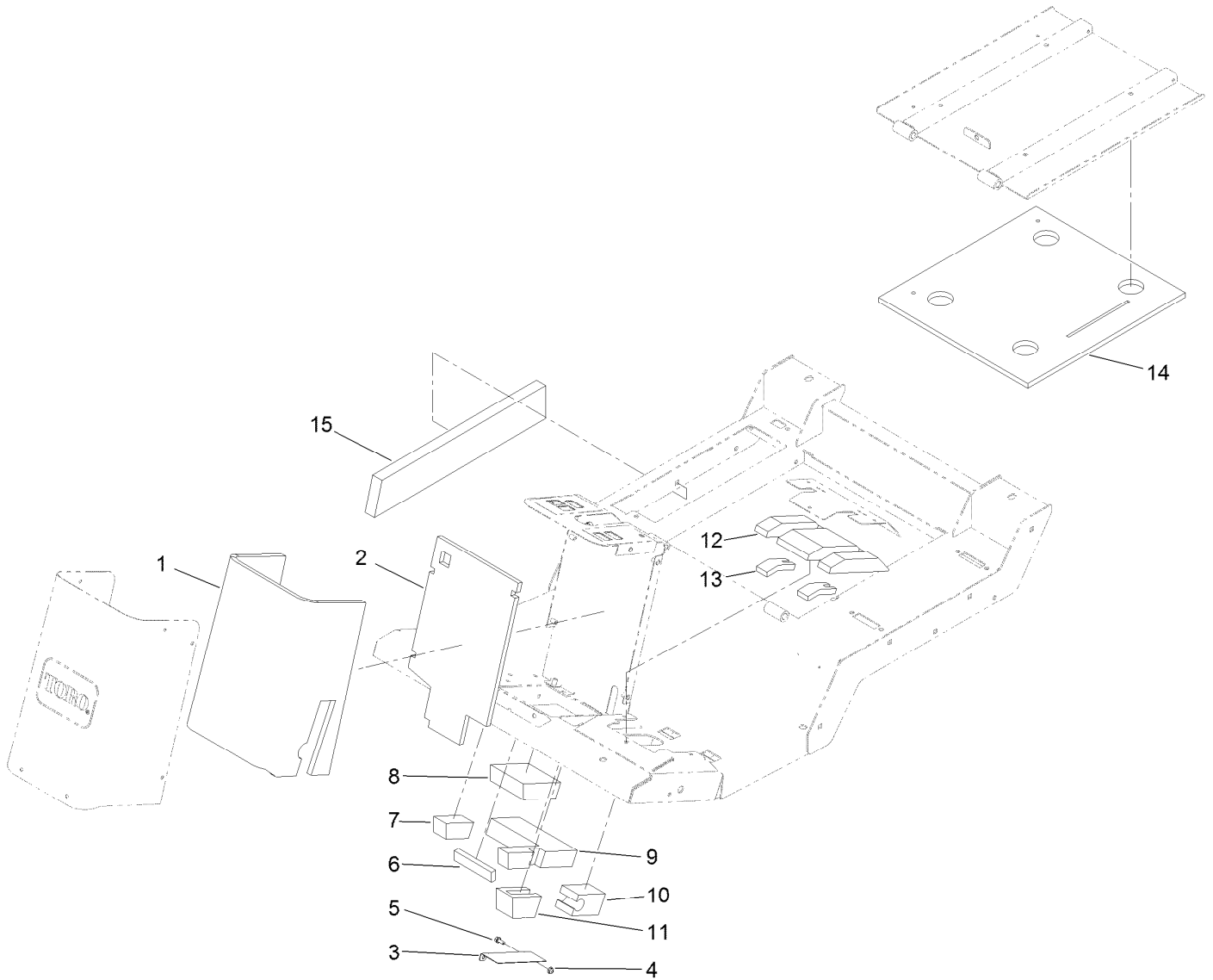
Fender, Tool Box and Cover Assembly

| Ref. | Part Number | Qty. | Description | Ref. | Part Number | Qty. | Description |
|------|-------------|------|--------------------|------|-------------|------|----------------------|
| 1 | 121-1579-03 | 1 | Plate-Fender, RH | 17 | 120-4115 | 1 | Cover-Battery |
| 2 | 120-4113 | 1 | Fender-RH | 18 | 121-1588 | 1 | Rod-Hinge |
| 3 | 3231-22 | 4 | Screw-CARR | 19 | 3290-467 | 1 | Pin-Hair |
| 4 | 104-8301 | 4 | Nut-HF, NI | 20 | 3274-31 | 2 | Screw-HSBH |
| 5 | 120-4125 | 1 | Housing-Tool Box | 21 | 121-1586-03 | 1 | Mount-Cover |
| 6 | 3234-4 | 4 | Screw-HHF | 22 | 127-3706 | 1 | Plate-Cover |
| 7 | 107069 | 4 | Clip | 23 | 104-7201 | 2 | Nut-HF |
| 8 | 120-4124 | 1 | Tool Box Cover ASM | 24 | 3269-23 | 3 | Rivet-Pop |
| 8:1 | 117-2754 | 1 | Decal-Warning | 25 | 120-4128 | 1 | Tread-Foot, Abrasive |
| 8:1 | 117-2766 | 1 | Decal-Warning, CE | 26 | 127-3705 | 1 | Plate-Cover |
| 9 | 120-4122 | 1 | Rod-Hinge | 29 | 121-1599 | 1 | Decal-Fuses |
| 10 | 104-7545 | 1 | Bracket-Latch | 30 | 32105-1 | 2 | Screw-SHH |
| 11 | 58-4250 | 1 | Catch-Magnetic | 31 | 3296-2 | 2 | Nut-Lock, NI |
| 12 | 3256-22 | 2 | Washer-Flat | 32 | 69-6260 | 1 | Magnet |
| 13 | 32104-95 | 2 | Screw-HWH | 33 | 121-3874 | 1 | Wrench ASM |
| 14 | 120-4126 | 1 | Cover-Controllers | 33:2 | 119-1846 | 1 | Grip |
| 15 | 87-6630 | 4 | Washer-Plain | 34 | 3255-7 | 1 | Washer-Lock/EXT |
| 16 | 3274-69 | 2 | Screw-HSBH | | | | |



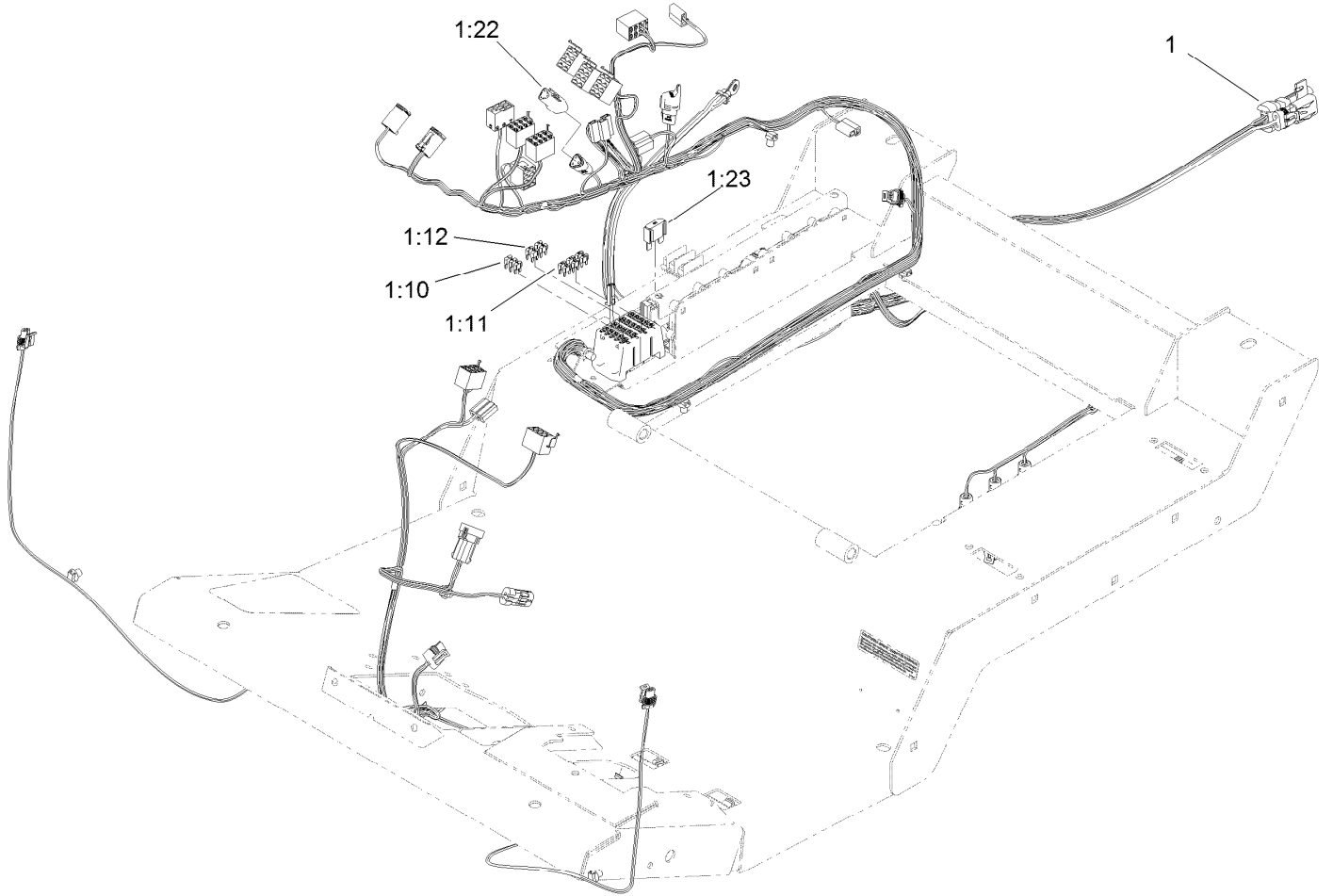
Fender Assembly

| <i>Ref.</i> | <i>Part Number</i> | <i>Qty.</i> | <i>Description</i> |
|-------------|--------------------|-------------|--------------------|
| 1 | 120-4114 | 1 | Fender-LH |
| 2 | 121-1580-03 | 1 | Plate-Fender, LH |
| 3 | 104-8301 | 4 | Nut-HF, NI |
| 4 | 3231-22 | 4 | Screw-CARR |



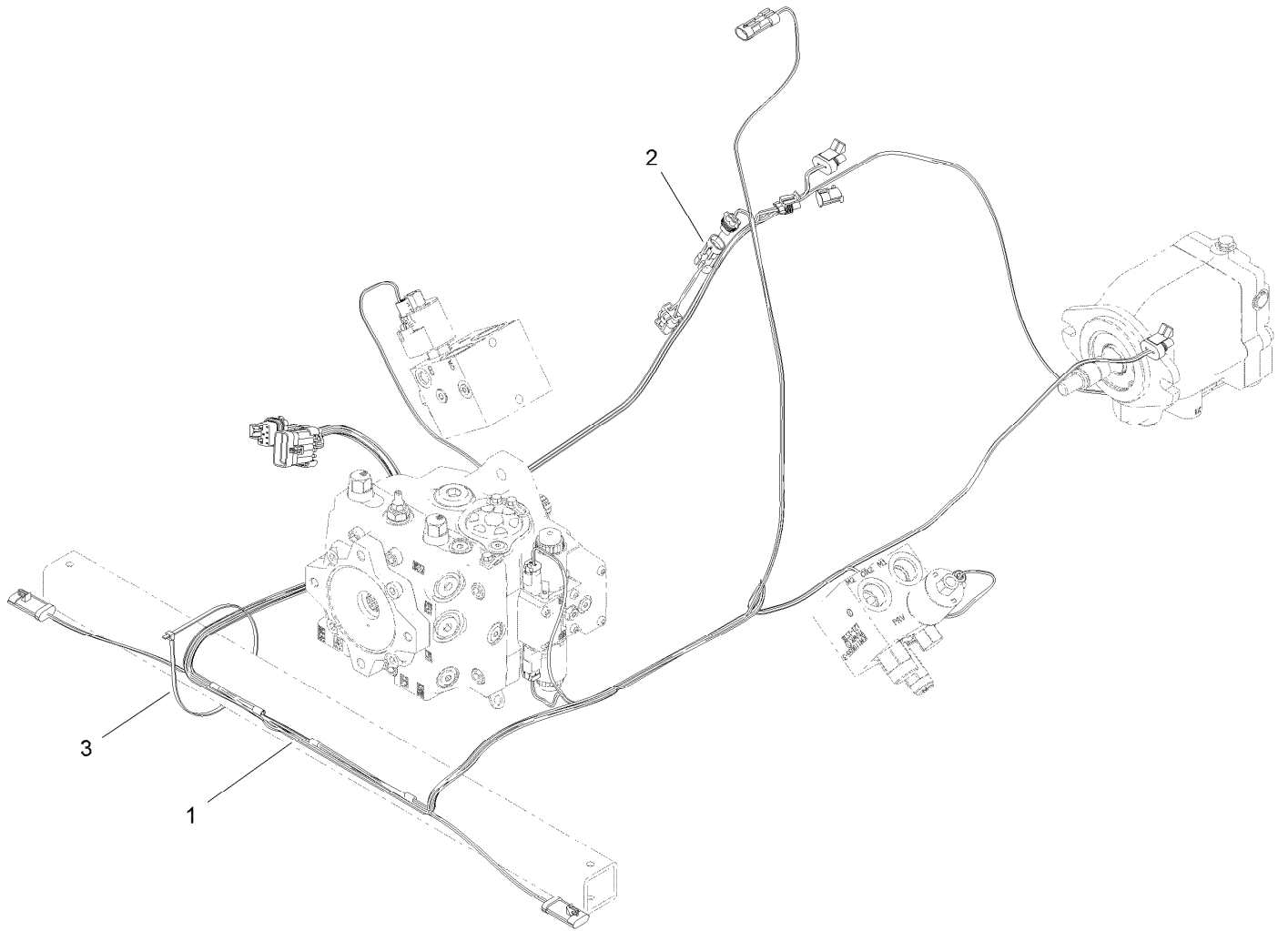
Acoustic Foam Assembly

| Ref. | Part Number | Qty. | Description |
|------|-------------|------|----------------------|
| 1 | 121-1666 | 1 | Foam-Column, Front |
| 2 | 115-8813 | 1 | Foam-Column, Rear |
| 3 | 115-8841-01 | 1 | Bracket-Foam, Pawl |
| 4 | 104-7201 | 2 | Nut-HF |
| 5 | 3234-33 | 2 | Screw-HHF |
| 6 | 115-8808 | 1 | Foam-Strip, Front |
| 7 | 115-8809 | 1 | Foam-Plug, RH |
| 8 | 121-1681 | 1 | Foam-Steering, Front |
| 9 | 121-1680 | 1 | Foam-Steering, Rear |
| 10 | 115-8815 | 1 | Foam-Plug, Brake |
| 11 | 115-8814 | 1 | Foam-Pawl, Brake |
| 12 | 121-1675 | 1 | Foam-Brake, Center |
| 13 | 121-1674 | 2 | Foam-Plug, Brakes |
| 14 | 127-3696 | 1 | Foam-Seat |
| 15 | 127-3708 | 1 | Foam-Right |



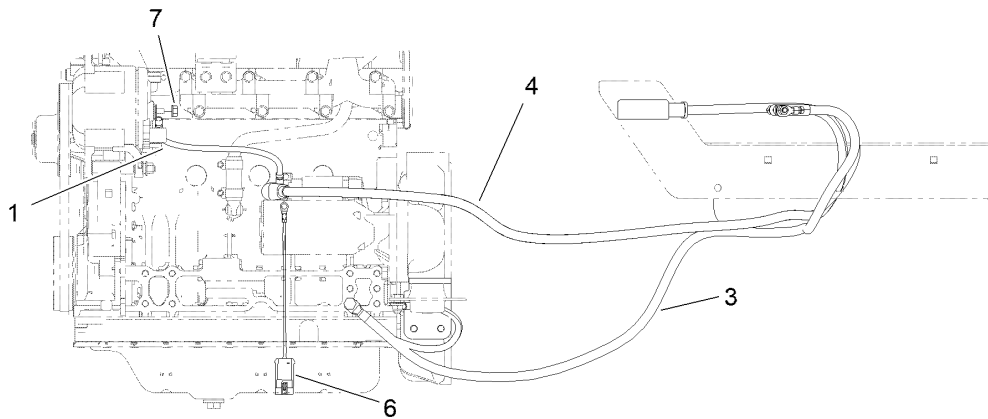
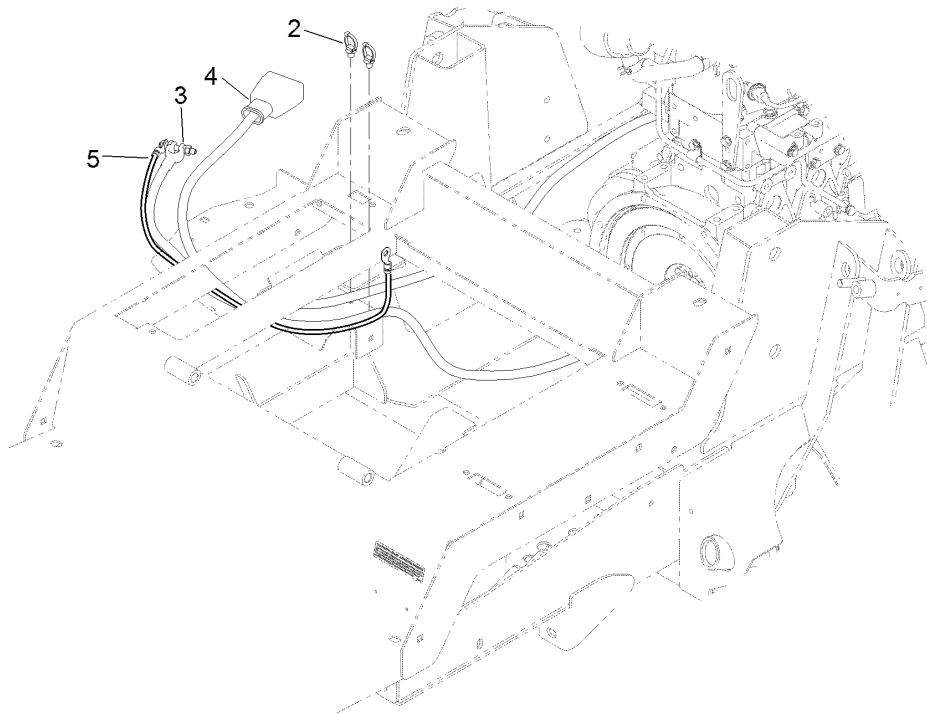
Platform Harness and Fuse Assembly

| <i>Ref.</i> | <i>Part Number</i> | <i>Qty.</i> | <i>Description</i> |
|-------------|--------------------|-------------|--------------------------|
| 1 | 122-0227 | 1 | Harness-Wire, Platform |
| 1:10 | 121-8861 | 3 | Fuse-Mini Blade, 2 Amp |
| 1:11 | 121-8865 | 6 | Fuse-Mini Blade, 7.5 Amp |
| 1:12 | 121-8866 | 4 | Fuse-Mini Blade, 10 Amp |
| 1:22 | 32180-043 | 1 | Resistor-120 Ohm |
| 1:23 | 114-3342 | 1 | Fuse-Maxi, 60 Amp |



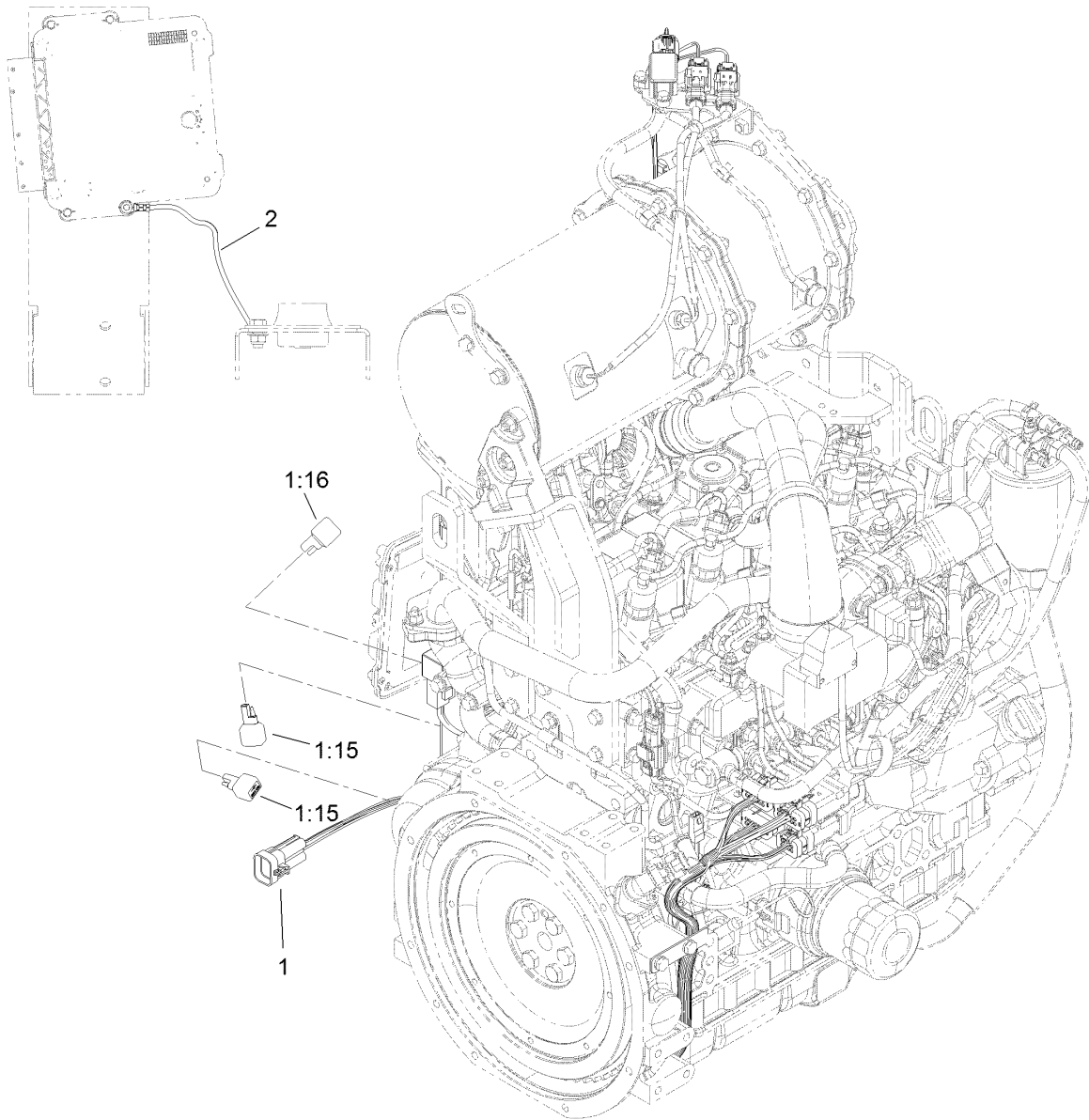
Rear Wire Harness Assembly

| <i>Ref.</i> | <i>Part Number</i> | <i>Qty.</i> | <i>Description</i> |
|-------------|--------------------|-------------|---------------------------------|
| 1 | 122-0228 | 1 | Harness-Wire, Rear |
| 2 | 115-1931 | 1 | Harness-Wire, Fuel Pump Adapter |
| 3 | 3290-379 | 1 | Tie-Cable |



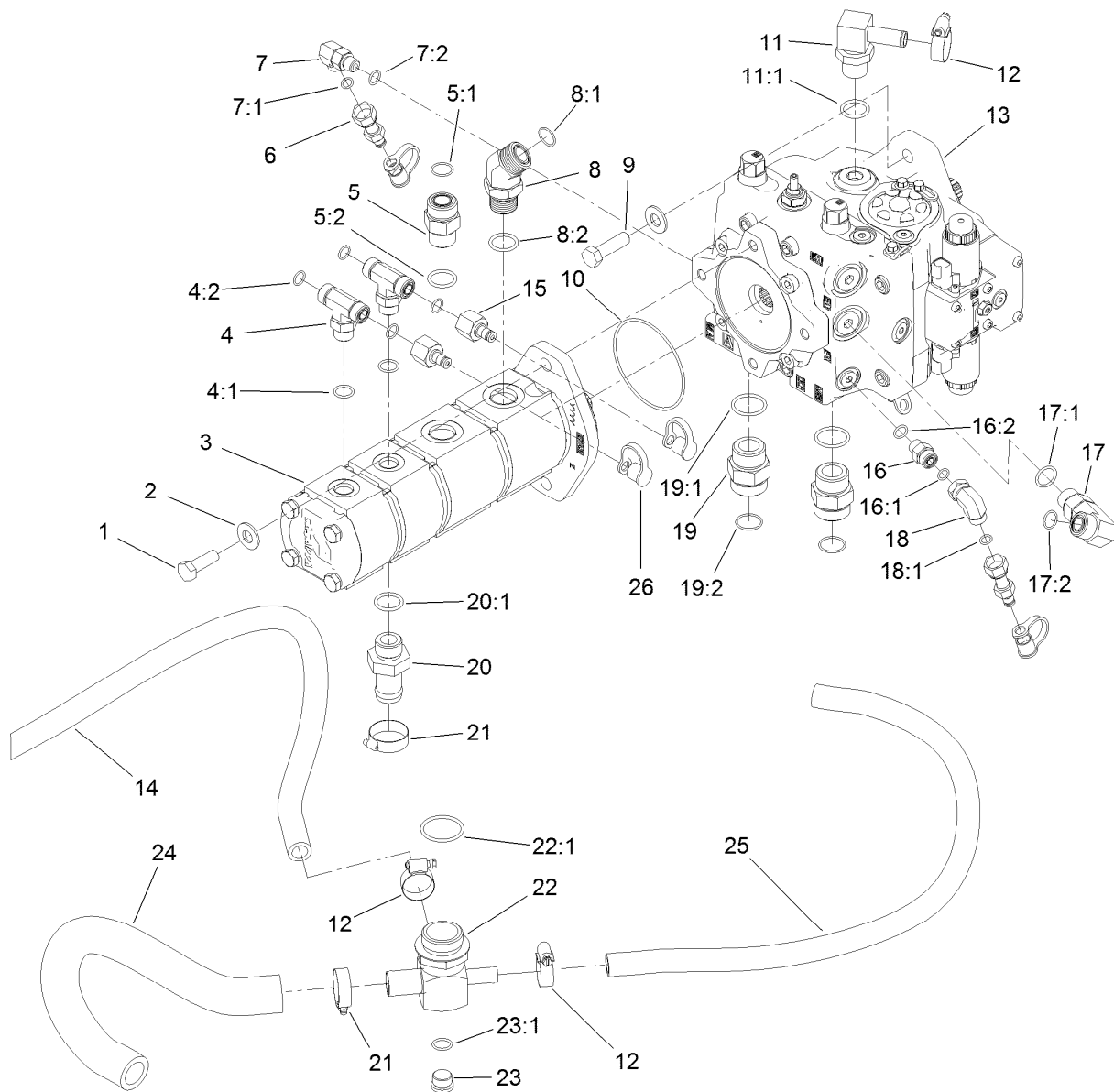
Battery Cable and Ground Assembly

| Ref. | Part Number | Qty. | Description |
|------|-------------|------|----------------------------|
| 1 | 122-0071 | 1 | Cable-Battery, Positive |
| 2 | 32180-030 | 2 | Clip-Tie |
| 3 | 121-8898 | 1 | Cable-Battery, Negative |
| 4 | 121-8897 | 1 | Cable-Battery, Positive |
| 5 | 54-3094 | 1 | Cable |
| 6 | 108-9470 | 1 | Harness-Wire, Fusible Link |
| 7 | 33004-00 | 2 | Nut-HF |



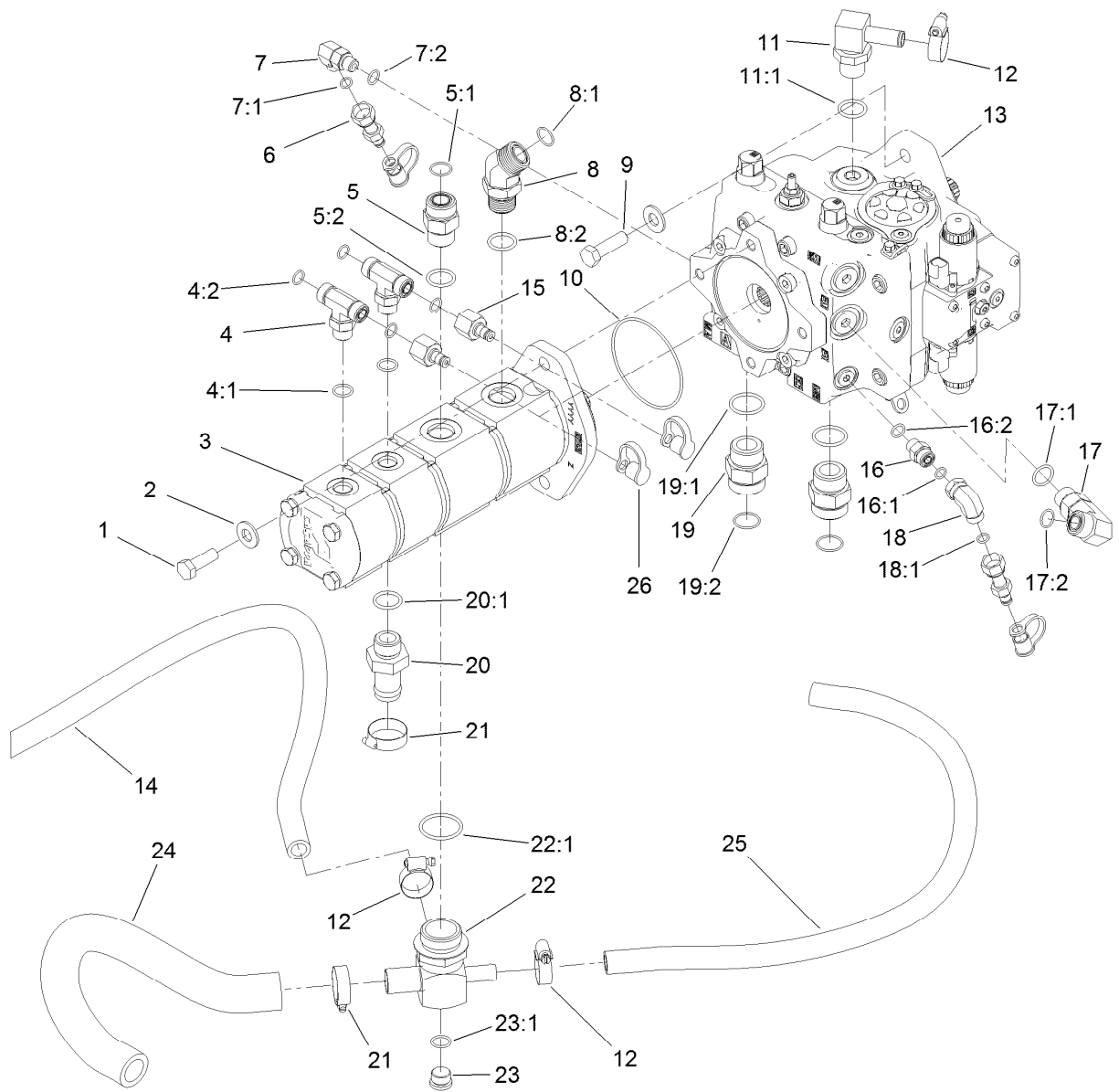
Engine Harness Assembly

| <i>Ref.</i> | <i>Part Number</i> | <i>Qty.</i> | <i>Description</i> |
|-------------|--------------------|-------------|----------------------|
| 1 | 122-0229 | 1 | Harness-Wire, Engine |
| 1:15 | 100-4918 | 2 | Diode |
| 1:16 | 121-8891 | 1 | Resistor (1.6K Ohm) |
| 2 | 122-0057 | 1 | Harness-Wire, Ground |



Piston Pump and Gear Pump Assembly

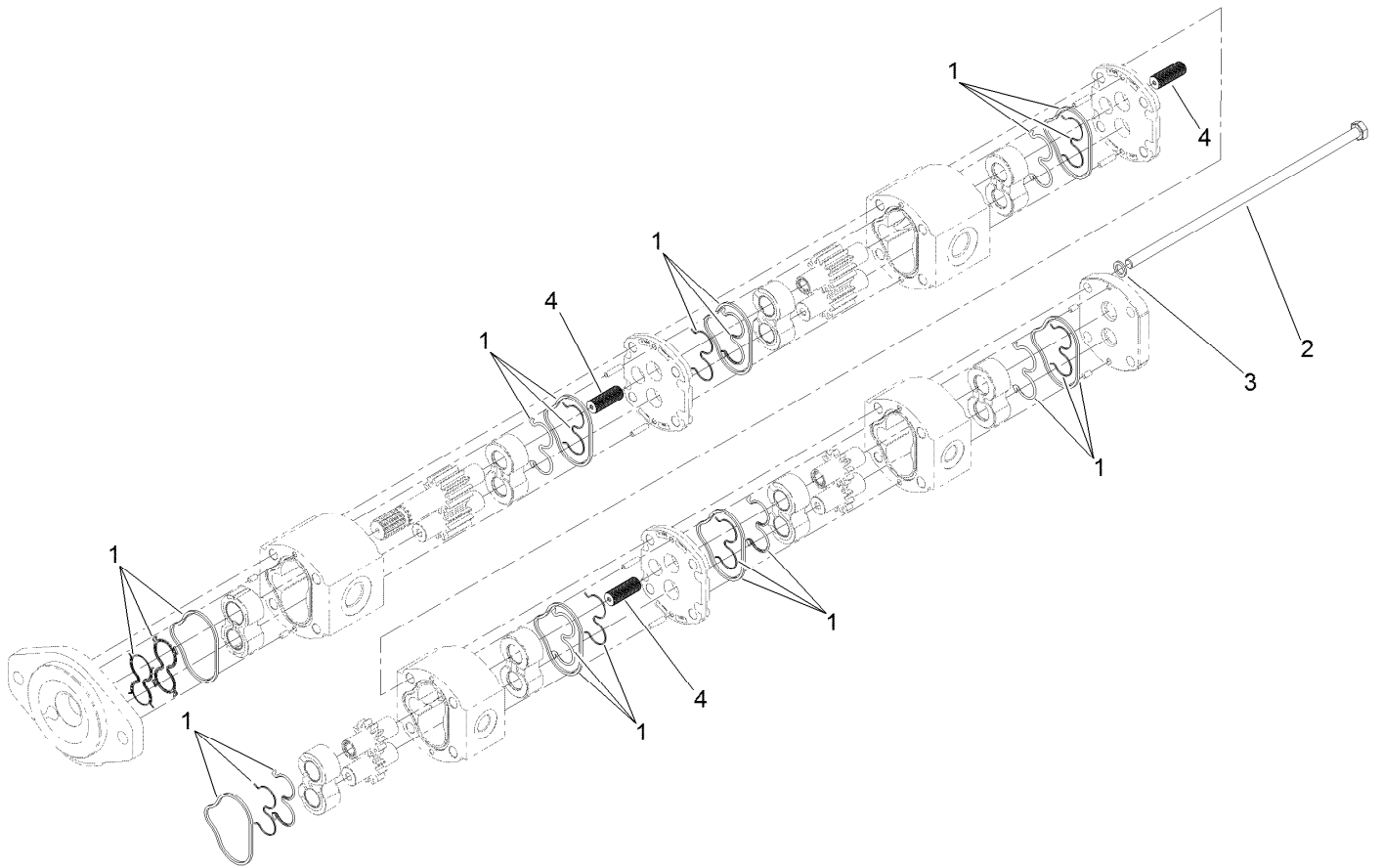
| Ref. | Part Number | Qty. | Description | Ref. | Part Number | Qty. | Description |
|------|-------------|------|-------------------------|------|-------------|------|------------------|
| 1 | 121-1525 | 2 | Screw-HH | 13 | 120-9059 | 1 | Piston Pump ASM |
| 2 | 87-7270 | 4 | Washer-Thrust | 14 | 121-1647 | 1 | Hose-HYD |
| 3 | 120-8904 | 1 | 4-Section Gear Pump ASM | 15 | 100-5616 | 2 | Fitting |
| 4 | 340-157 | 2 | Fitting-HYD, Tee | 16 | 340-2 | 1 | Fitting-Straight |
| 4:1 | 237-79 | 1 | O-Ring | 16:1 | 237-22 | 1 | O-Ring |
| 4:2 | 237-30 | 2 | O-Ring | 16:2 | 237-42 | 1 | O-Ring |
| 5 | 340-9 | 1 | Fitting-STR | 17 | 121-1492 | 1 | Fitting-90 |
| 5:1 | 237-58 | 1 | O-Ring | 17:1 | 237-80 | 1 | O-Ring |
| 5:2 | 237-81 | 1 | O-Ring | 17:2 | 237-65 | 1 | O-Ring |
| 6 | 86-5480 | 2 | Nipple-Test | 18 | 340-159 | 1 | Elbow-90 |
| 7 | 340-77 | 1 | Fitting-Elbow, 90 DEG | 18:1 | 237-22 | 2 | O-Ring |
| 7:1 | 237-22 | 1 | O-Ring | 19 | 104-3797 | 2 | Fitting-Straight |
| 7:2 | 237-42 | 1 | O-Ring | 19:1 | 237-146 | 1 | O-Ring |
| 8 | 100-5530 | 1 | Fitting-45 DEG | 19:2 | 340-65 | 1 | O-Ring |
| 8:1 | 237-58 | 1 | O-Ring | 20 | 99-3017 | 1 | Fitting |
| 8:2 | 237-81 | 1 | O-Ring | 20:1 | 237-81 | 1 | O-Ring |
| 9 | 121-1524 | 2 | Screw-HH | 21 | 2412-34 | 2 | Clamp-Hose |
| 10 | 107-9447 | 1 | O-Ring | 22 | 121-1682 | 1 | Fitting-Tee |
| 11 | 117-3681 | 1 | Fitting-HYD, 90 DEG | 22:1 | 237-101 | 1 | O-Ring |
| 11:1 | 237-81 | 1 | O-Ring | 23 | 353-988 | 1 | Plug-Hex |
| 12 | 2412-129 | 3 | Clamp-Hose | 23:1 | 237-79 | 1 | O-Ring |



Piston Pump and Gear Pump Assembly (continued)

| Ref. | Part Number | Qty. | Description |
|------|-------------|------|--------------|
| 24 | 120-8815 | 1 | Hose-Suction |

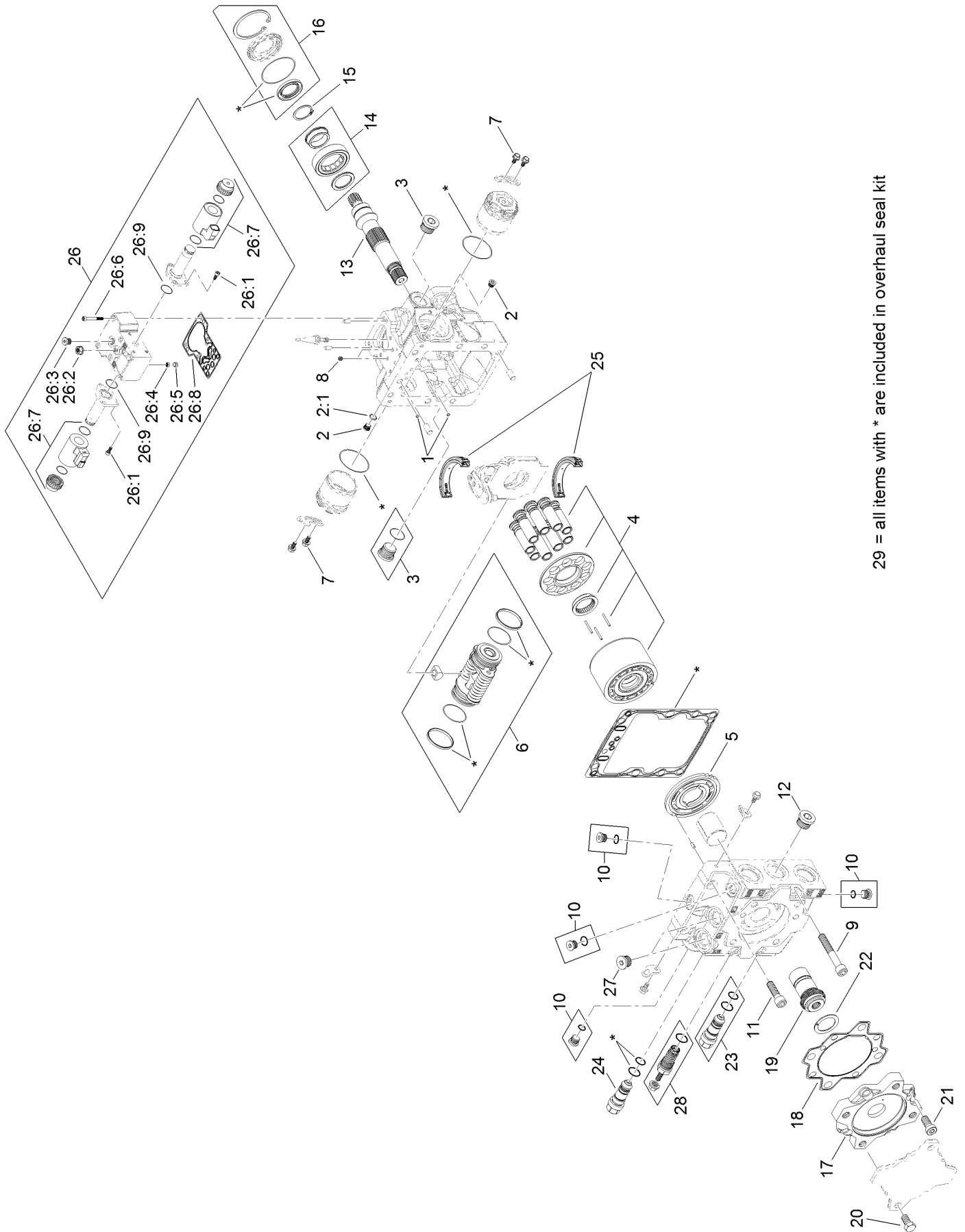
| Ref. | Part Number | Qty. | Description |
|------|-------------|------|-------------|
| 25 | 120-9050 | 1 | Hose-HYD |
| 26 | 354-79 | 4 | Cap-Dust |



4-Section Gear Pump Assembly No. 120-8904

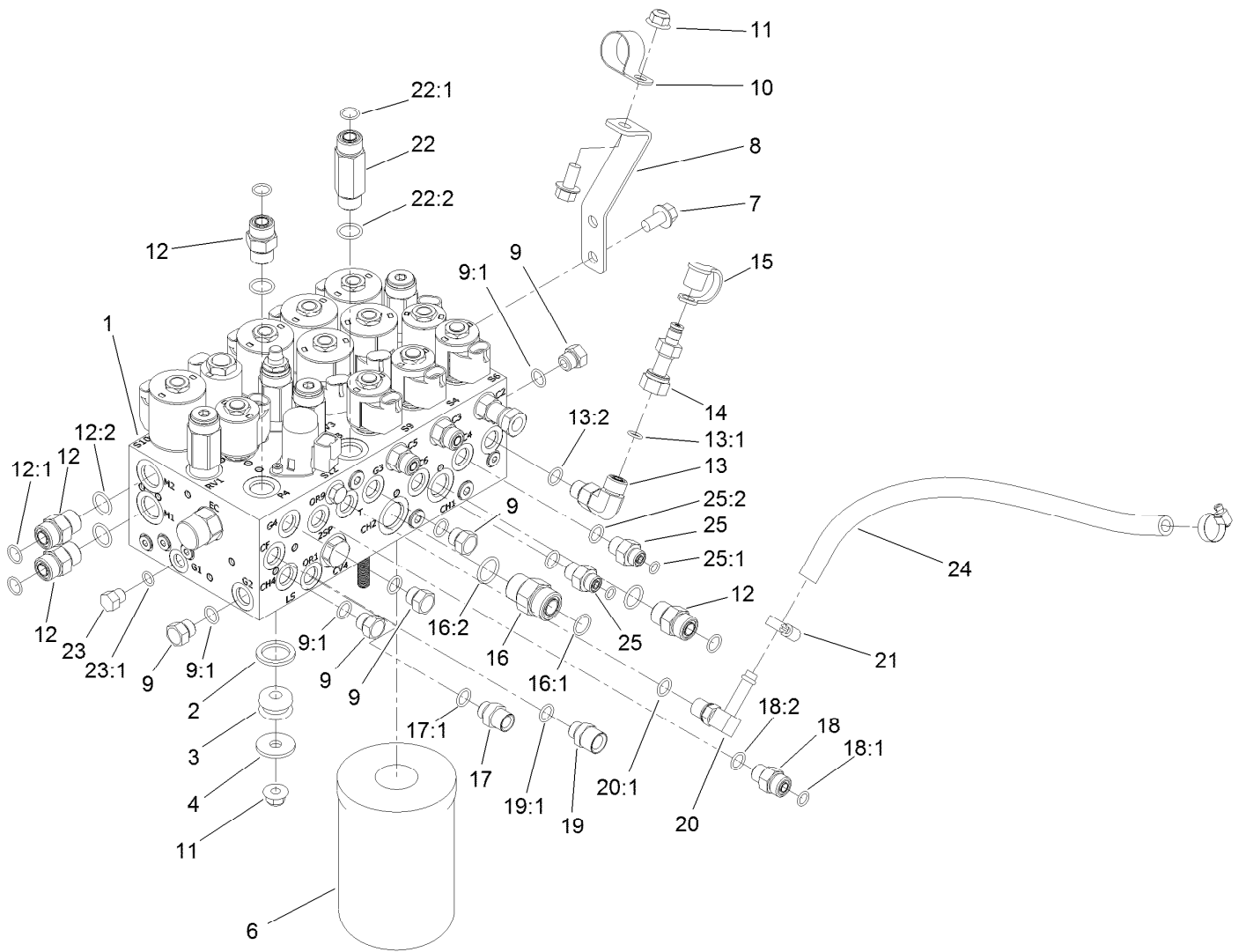
| <i>Ref.</i> | <i>Part Number</i> | <i>Qty.</i> | <i>Description</i> |
|-------------|--------------------|-------------|--------------------|
| 1 | 115-3776 | 1 | Seal Kit |
| 2 | 121-1721 | 4 | Bolt |
| 3 | 121-1722 | 4 | Washer |
| 4 | 120-6284 | 3 | Hub-Connecting |

Piston Pump Assembly No. 120-9059



Piston Pump Assembly No. 120-9059 (continued)

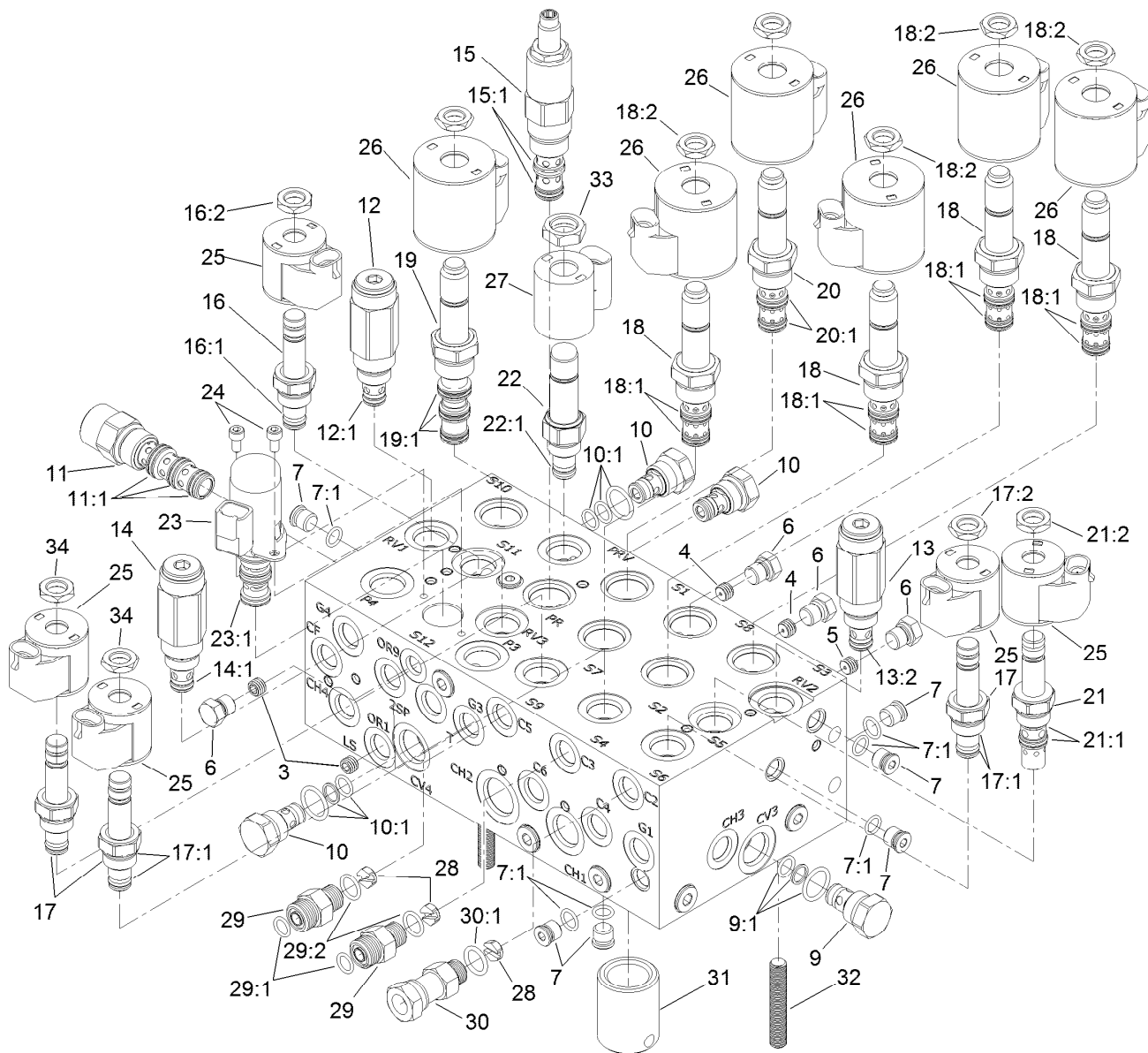
| <i>Ref.</i> | <i>Part Number</i> | <i>Qty.</i> | <i>Description</i> | <i>Ref.</i> | <i>Part Number</i> | <i>Qty.</i> | <i>Description</i> |
|-------------|--------------------|-------------|-----------------------|-------------|--------------------|-------------|-----------------------------|
| 1 | 125-5266 | 2 | Screen | 20 | 125-5281 | 4 | Screw |
| 2 | 75-0170 | 2 | Plug-Thread, Straight | 21 | 125-5282 | 4 | Screw |
| 2:1 | 92-8777 | 1 | O-Ring | 22 | 125-5287 | 1 | Plate-Thrust |
| 3 | 107-4352 | 2 | Plug | 23 | 121-1731 | 1 | Valve-Relief, High Pressure |
| 4 | 121-1723 | 1 | Cylinder Block Kit | 24 | 125-5291 | 1 | Valve-Relief, High Pressure |
| 5 | 121-1724 | 1 | Plate-Valve, CW | 25 | 121-1732 | 1 | Swash Plate Bearing Kit |
| 6 | 121-1725 | 1 | Servo Piston ASM | 26 | 125-5295 | 1 | Control Kit (12 Volt) |
| 7 | 125-5270 | 6 | Screw | 26:1 | 125-5272 | 6 | Screw |
| 8 | 125-5276 | 2 | Orifice (0.8) | 26:2 | 125-5273 | 1 | Nut-Seal |
| 9 | 121-1726 | 4 | Screw | 26:3 | 125-5302 | 1 | Plug |
| 10 | 125-5300 | 4 | Plug ASM | 26:4 | 125-5266 | 1 | Screen |
| 11 | 121-1727 | 2 | Screw | 26:5 | 125-5269 | 1 | Ring-Locking |
| 12 | 125-5301 | 1 | Plug | 26:6 | 125-5274 | 6 | Screw |
| 13 | 121-1728 | 1 | Shaft | 26:7 | 125-5294 | 2 | Coil Kit |
| 14 | 125-5279 | 1 | Bearing-Roller | 26:8 | 125-5283 | 1 | Gasket-Control |
| 15 | 125-5280 | 1 | Ring-Retaining | 26:9 | 125-5288 | 2 | O-Ring |
| 16 | 121-1729 | 1 | Shaft Seal Kit | 27 | 125-5303 | 2 | Plug ASM |
| 17 | 125-5284 | 1 | Adapter | 28 | 125-5297 | 1 | Charge Relief Kit |
| 18 | 125-5285 | 1 | Seal-Adapter | 29 | 121-1733 | 1 | Overhaul Seal Kit |
| 19 | 121-1730 | 1 | Coupling | | | | |



Combination Manifold Assembly

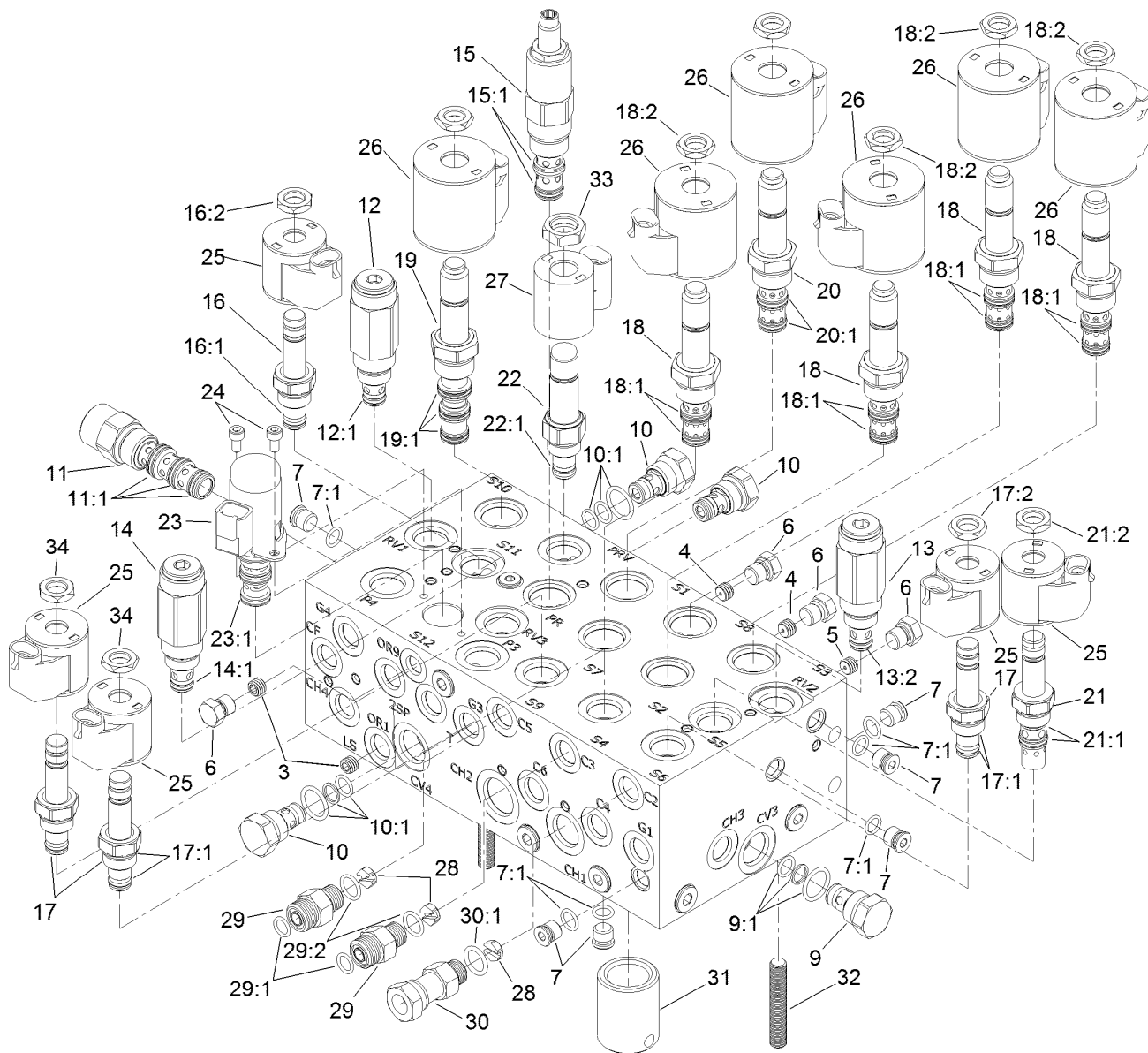
| Ref. | Part Number | Qty. | Description |
|------|-------------|------|------------------------------|
| 1 | 127-3650 | 1 | HYD Combination Manifold ASM |
| 2 | 92-2650 | 3 | Spacer-Clutch |
| 3 | 63-9750 | 3 | Mount |
| 4 | 63-8410 | 3 | Washer |
| 6 | 75-1310 | 1 | Filter-HYD |
| 7 | 3234-1 | 3 | Screw-HHF |
| 8 | 121-1542 | 1 | Plate-Mount, Hose |
| 9 | 353-508 | 5 | Plug-HH |
| 9:1 | 237-42 | 1 | O-Ring |
| 10 | 2412-126 | 1 | R-Clamp |
| 11 | 104-8301 | 4 | Nut-HF, NI |
| 12 | 340-4 | 4 | Fitting-Straight |
| 12:1 | 237-30 | 1 | O-Ring |
| 12:2 | 237-79 | 1 | O-Ring |
| 13 | 340-77 | 1 | Fitting-Elbow, 90 DEG |
| 13:1 | 237-22 | 1 | O-Ring |
| 13:2 | 237-42 | 1 | O-Ring |
| 14 | 86-5480 | 1 | Nipple-Test |
| 15 | 354-79 | 1 | Cap-Dust |
| 16 | 340-7 | 1 | Fitting-Straight |

| Ref. | Part Number | Qty. | Description |
|------|-------------|------|-------------------|
| 16:1 | 237-65 | 1 | O-Ring |
| 16:2 | 237-80 | 1 | O-Ring |
| 17 | 120-8975 | 1 | Fitting-Straight |
| 17:1 | 237-42 | 1 | O-Ring |
| 18 | 340-2 | 1 | Fitting-Straight |
| 18:1 | 237-22 | 1 | O-Ring |
| 18:2 | 237-42 | 1 | O-Ring |
| 19 | 120-8979 | 1 | Fitting-Straight |
| 19:1 | 237-42 | 1 | O-Ring |
| 20 | 100-4887 | 1 | Fitting-Elbow, 90 |
| 20:1 | 237-42 | 1 | O-Ring |
| 21 | 2412-36 | 2 | Clamp-Hose |
| 22 | 119-4854 | 1 | Fitting-STR |
| 22:1 | 237-30 | 1 | O-Ring |
| 22:2 | 237-79 | 1 | O-Ring |
| 23 | 353-512 | 1 | Plug |
| 23:1 | 237-78 | 1 | O-Ring |
| 24 | 87-5730 | 1 | Hose |
| 25 | 340-1 | 2 | Fitting-Straight |
| 25:1 | 237-21 | 1 | O-Ring |
| 25:2 | 237-42 | 1 | O-Ring |



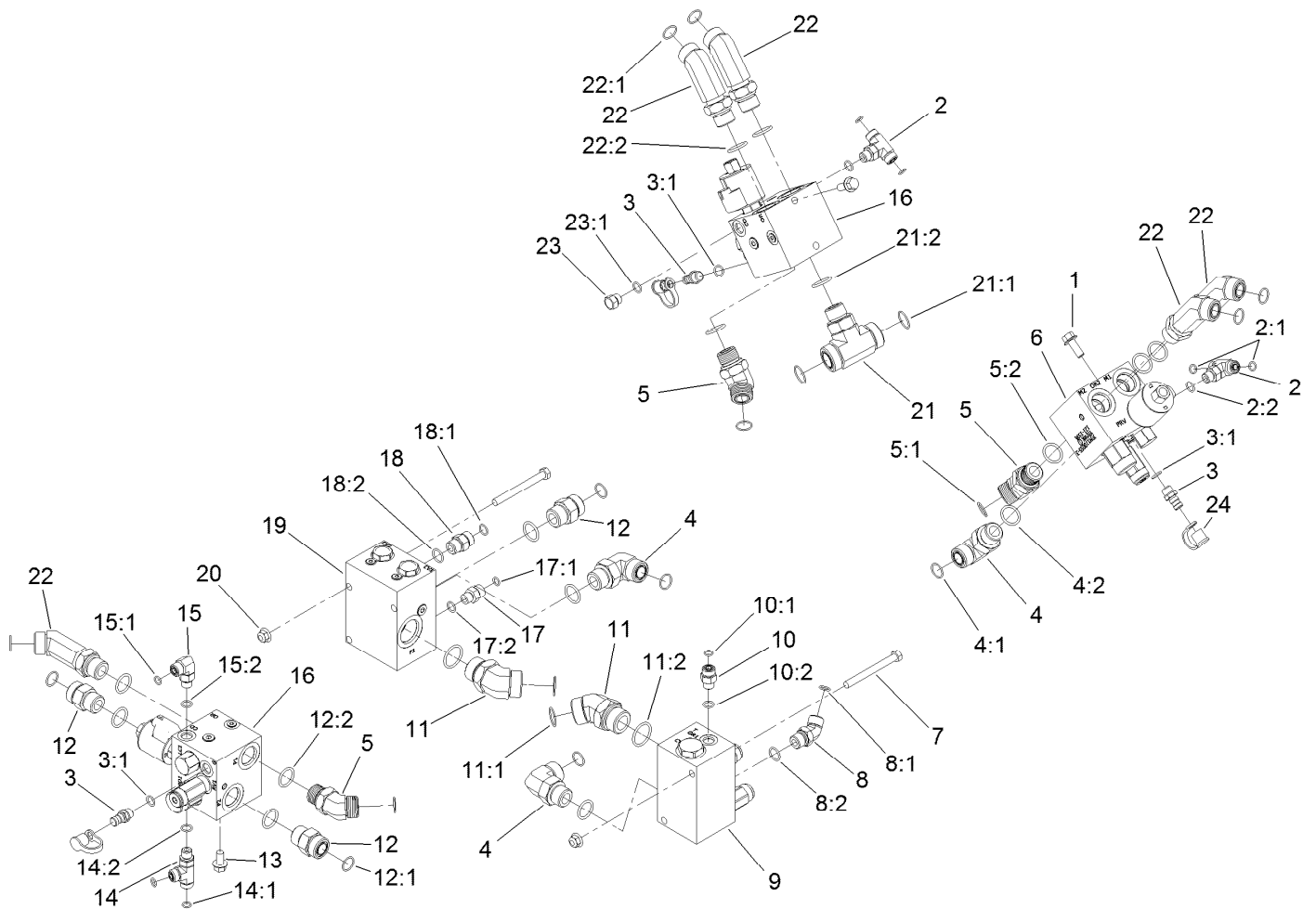
Combination Manifold Assembly No. 127-3650

| Ref. | Part Number | Qty. | Description | Ref. | Part Number | Qty. | Description |
|------|-------------|------|-------------------------|------|-------------|------|-------------------------------|
| 3 | 110-5973 | 2 | Orifice-0.030 | 16:1 | 105-9156 | 1 | Seal Kit |
| 4 | 112-6538 | 2 | Orifice (.063 Inch) | 16:2 | 110-2634 | 1 | Nut-Coil |
| 5 | 110-8883 | 1 | Plug-Orifice (0.040) | 17 | 112-9206 | 3 | Solenoid Valve ASM |
| 6 | 117-0115 | 4 | Plug | 17:1 | 105-9156 | 1 | Seal Kit |
| 7 | 353-990 | 14 | Plug ASM | 17:2 | 110-2634 | 1 | Nut-Coil |
| 7:1 | 237-78 | 1 | O-Ring | 18 | 115-5400 | 4 | Solenoid Valve ASM |
| 9 | 114-2873 | 1 | Check Valve ASM | 18:1 | 107-7813 | 1 | Seal Kit |
| 9:1 | 105-9156 | 1 | Seal Kit | 18:2 | 110-2634 | 1 | Nut-Coil |
| 10 | 105-9321 | 3 | Check Valve ASM | 19 | 115-3023 | 1 | Solenoid Valve ASM |
| 10:1 | 105-9156 | 1 | Seal Kit | 19:1 | 110-8908 | 1 | Spool Valve Seal Kit |
| 11 | 115-5409 | 1 | Compensator ASM | 20 | 125-7556 | 1 | Solenoid Valve ASM |
| 11:1 | 110-8908 | 1 | Spool Valve Seal Kit | 20:1 | 107-7813 | 1 | Seal Kit |
| 12 | 125-7560 | 1 | Relief Valve ASM | 21 | 115-5405 | 1 | Solenoid Valve ASM |
| 12:1 | 105-9156 | 1 | Seal Kit | 21:1 | 115-5413 | 1 | Seal Kit |
| 13 | 105-9844 | 1 | Valve-Relief | 21:2 | 110-2634 | 1 | Nut-Coil |
| 13:2 | 105-9156 | 1 | Seal Kit | 22 | 125-7555 | 1 | Proportional Relief Valve ASM |
| 14 | 125-7558 | 1 | Relief Valve ASM | 22:1 | 110-6316 | 1 | Seal Kit |
| 14:1 | 105-9156 | 1 | Seal Kit | 23 | 125-7554 | 1 | Valve-Solenoid |
| 15 | 127-3663 | 1 | Valve-Pressure Reducing | 23:1 | 125-7561 | 1 | Seal Kit |
| 15:1 | 105-9154 | 1 | Seal Kit | 24 | 115-8733 | 2 | Screw-HSH |
| 16 | 107-7516 | 1 | Solenoid Valve ASM | | | | |



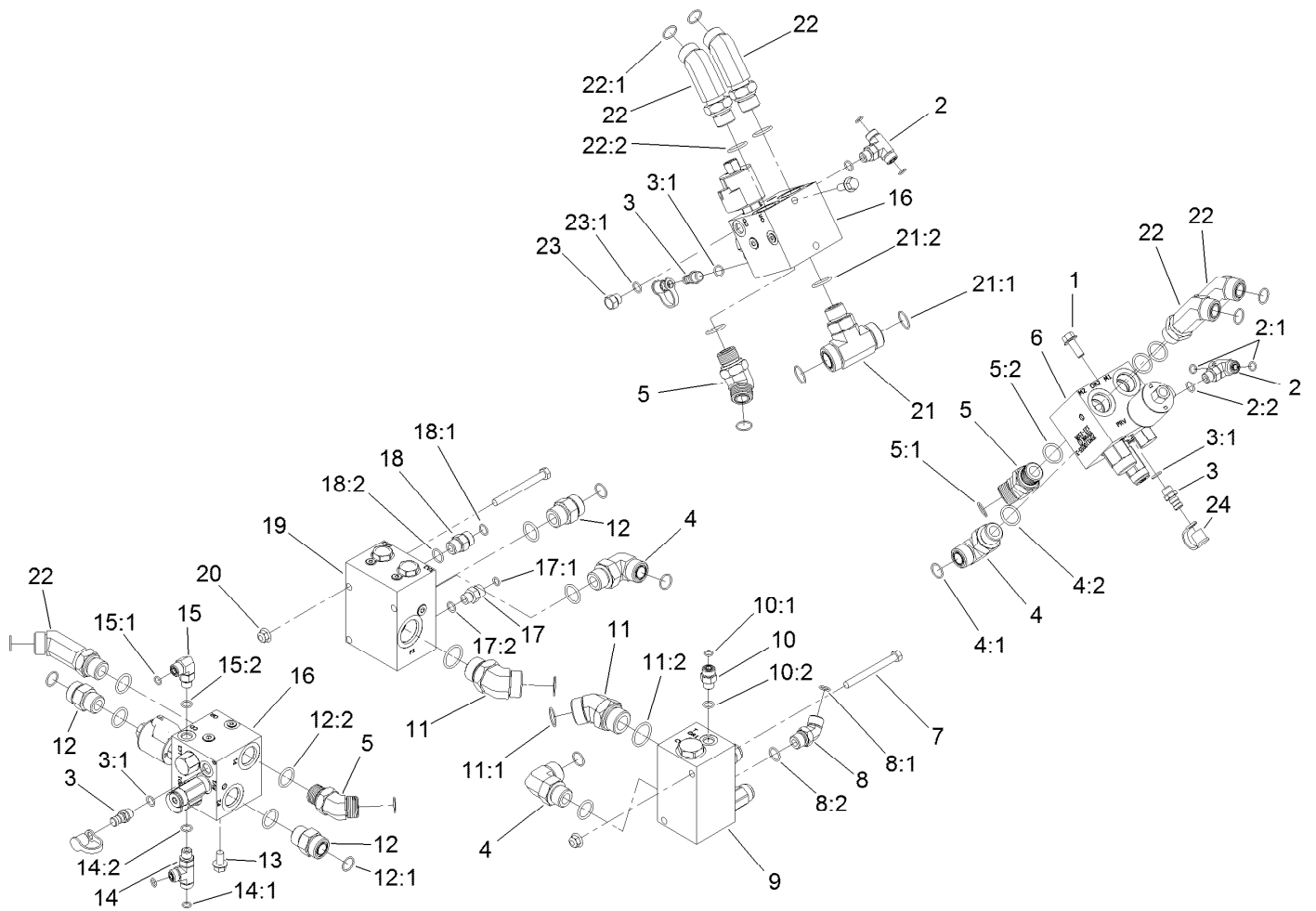
Combination Manifold Assembly No. 127-3650 (continued)

| Ref. | Part Number | Qty. | Description | Ref. | Part Number | Qty. | Description |
|------|-------------|------|-------------------------|------|-------------|------|----------------------------|
| 25 | 110-0497 | 5 | Coil-Solenoid | 30 | 104-3779 | 1 | Connector-Swivel, Straight |
| 26 | 110-6344 | 6 | Coil-12V, DC | 30:1 | 237-42 | 1 | O-Ring |
| 27 | 125-7553 | 1 | E-Coil, 12Vdc | 31 | 125-7551 | 1 | Nipple-Filter |
| 28 | 125-7552 | 3 | Orifice-Check, .070 DIA | 32 | 130-2661 | 3 | Stud-Manifold |
| 29 | 340-2 | 2 | Fitting-Straight | 33 | 125-7550 | 1 | Nut-Coil |
| 29:1 | 237-22 | 1 | O-Ring | 34 | 110-2634 | 11 | Nut-Coil |
| 29:2 | 237-42 | 1 | O-Ring | | | | |



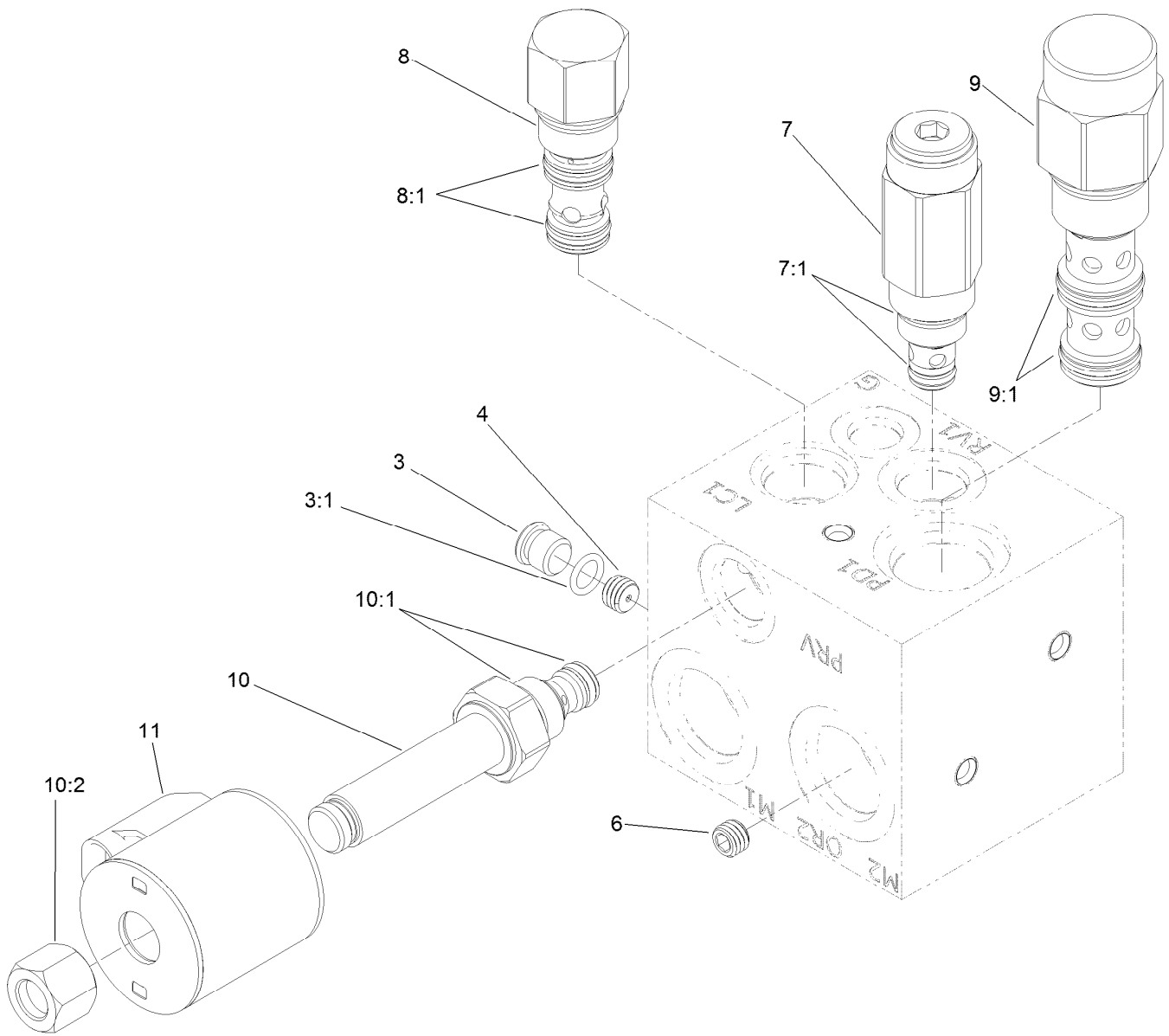
Manifold Block Assembly

| Ref. | Part Number | Qty. | Description | Ref. | Part Number | Qty. | Description |
|------|-------------|------|-------------------------|------|-------------|------|--------------------------------|
| 1 | 3234-11 | 4 | Screw-HHF | 11 | 104-3509 | 2 | Fitting-HYD, 45 DEG |
| 2 | 340-94 | 2 | Adapter | 11:1 | 237-146 | 1 | O-Ring |
| 2:1 | 237-22 | 2 | O-Ring | 11:2 | 340-65 | 1 | O-Ring |
| 2:2 | 237-42 | 1 | O-Ring | 12 | 340-9 | 3 | Fitting-STR |
| 3 | 59-7410 | 3 | Fitting-Diagnostic | 12:1 | 237-58 | 1 | O-Ring |
| 3:1 | 237-42 | 1 | O-Ring | 12:2 | 237-81 | 1 | O-Ring |
| 4 | 340-142 | 3 | Fitting-Elbow, 90 DEG | 13 | 3234-1 | 2 | Screw-HHF |
| 4:1 | 237-58 | 1 | O-Ring | 14 | 340-86 | 1 | Fitting-Tee |
| 4:2 | 237-81 | 1 | O-Ring | 14:1 | 237-22 | 2 | O-Ring |
| 5 | 100-5530 | 3 | Fitting-45 DEG | 14:2 | 237-42 | 1 | O-Ring |
| 5:1 | 237-58 | 1 | O-Ring | 15 | 340-77 | 1 | Fitting-Elbow, 90 DEG |
| 5:2 | 237-81 | 1 | O-Ring | 15:1 | 237-22 | 1 | O-Ring |
| 6 | 121-1536 | 1 | Manifold-PTO, Left | 15:2 | 237-42 | 1 | O-Ring |
| 7 | 323-42 | 4 | Screw-HH | 16 | 121-1537 | 2 | Manifold-PTO, Center And Right |
| 8 | 340-101 | 1 | Fitting-HYD, 45 DEG | 17 | 92-9258 | 1 | Adapter-Check |
| 8:1 | 237-30 | 1 | O-Ring | 17:1 | 237-22 | 1 | O-Ring |
| 8:2 | 237-79 | 1 | O-Ring | 17:2 | 237-42 | 1 | O-Ring |
| 9 | 121-1530 | 1 | Manifold-Traction, Rear | 18 | 100-4890 | 1 | Fitting-Check |
| 10 | 340-2 | 1 | Fitting-Straight | 18:1 | 237-79 | 1 | O-Ring |
| 10:1 | 237-22 | 1 | O-Ring | 18:2 | 237-30 | 1 | O-Ring |
| 10:2 | 237-42 | 1 | O-Ring | | | | |



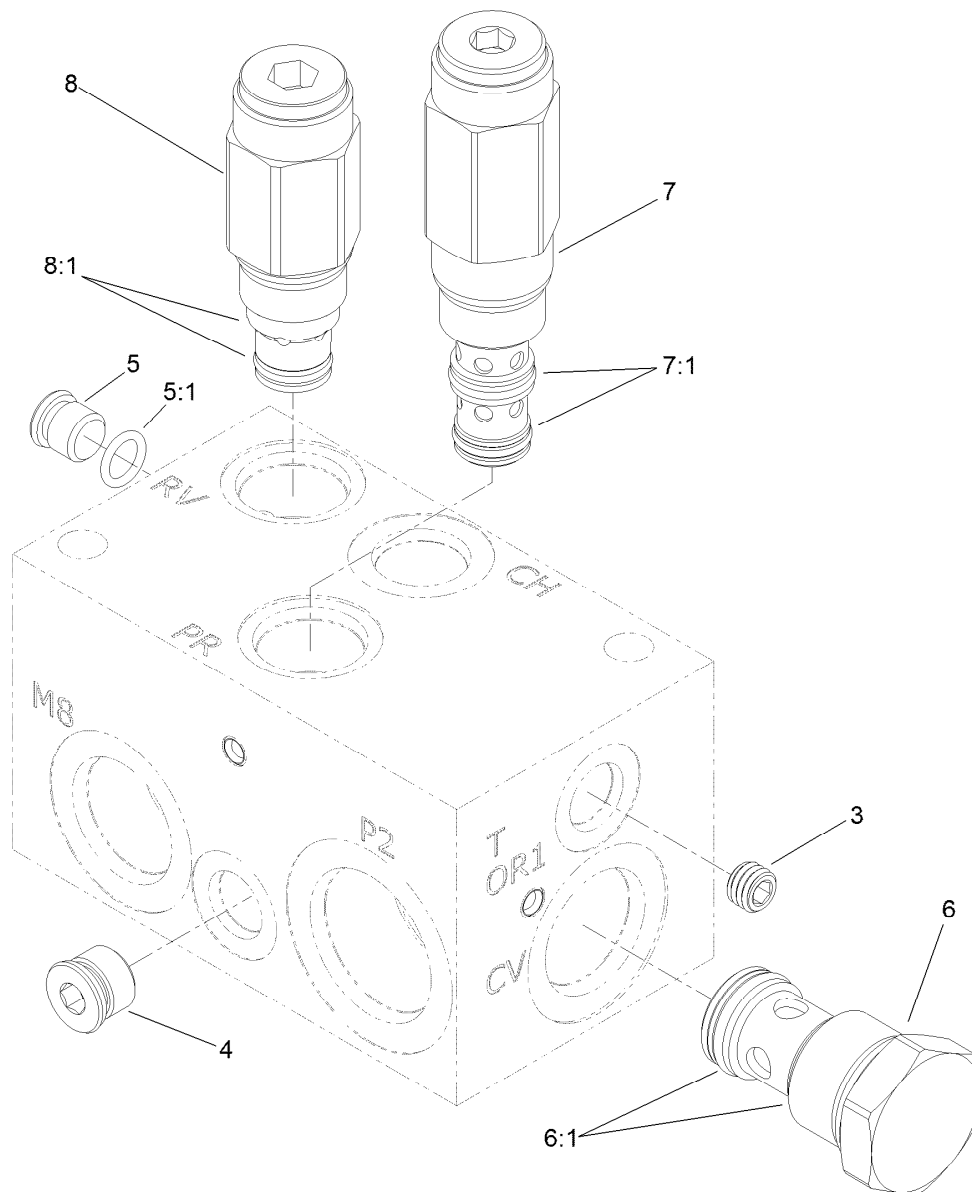
Manifold Block Assembly (continued)

| <i>Ref.</i> | <i>Part Number</i> | <i>Qty.</i> | <i>Description</i> | <i>Ref.</i> | <i>Part Number</i> | <i>Qty.</i> | <i>Description</i> |
|-------------|--------------------|-------------|---------------------------|-------------|--------------------|-------------|--------------------|
| 19 | 121-1550 | 1 | Flow Divider Manifold ASM | 22:1 | 237-58 | 1 | O-Ring |
| 20 | 104-8301 | 4 | Nut-HF, NI | 22:2 | 237-81 | 1 | O-Ring |
| 21 | 120-8825 | 1 | Fitting-Tee | 23 | 353-508 | 1 | Plug-HH |
| 21:1 | 340-65 | 2 | O-Ring | 23:1 | 237-42 | 1 | O-Ring |
| 21:2 | 237-81 | 1 | O-Ring | 24 | 354-79 | 3 | Cap-Dust |
| 22 | 120-8982 | 5 | Fitting-45 DEG | | | | |



Left Power-Take-Off Manifold Assembly No. 121-1536

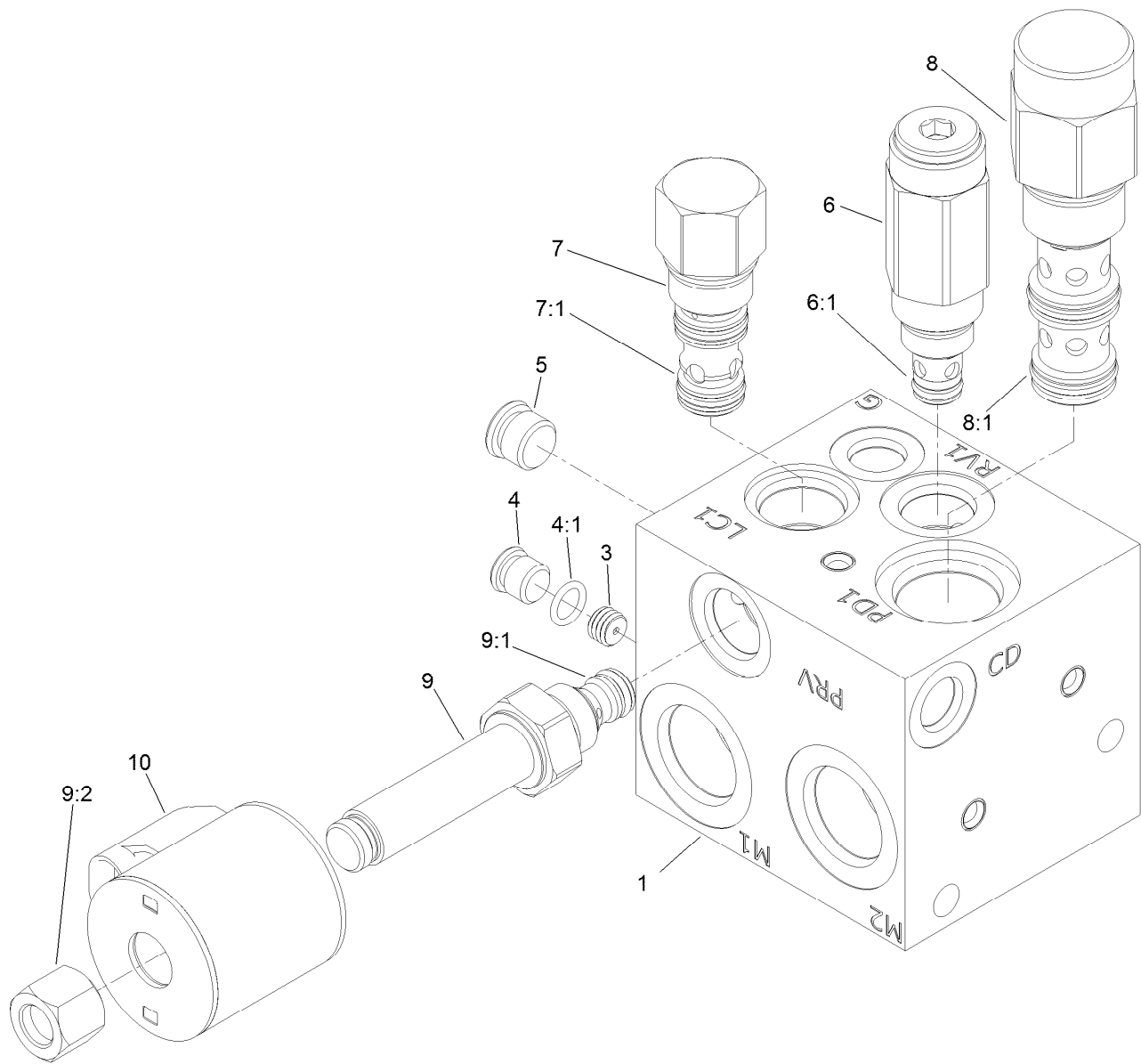
| Ref. | Part Number | Qty. | Description |
|------|-------------|------|----------------------------|
| 3 | 353-990 | 1 | Plug ASM |
| 3:1 | 237-78 | 1 | O-Ring |
| 4 | 117-8315 | 1 | Orifice (.025 Inch) |
| 6 | 112-6538 | 1 | Orifice (.063 Inch) |
| 7 | 114-5512 | 1 | Valve-Relief, 600 PSI |
| 7:1 | 105-9156 | 1 | Seal Kit |
| 8 | 105-9153 | 1 | Element-Logic, Vented |
| 8:1 | 119-2159 | 1 | Seal Kit |
| 9 | 125-4327 | 1 | Valve-Directional, Pilot |
| 9:1 | 114-5515 | 1 | Seal Kit |
| 10 | 117-0227 | 1 | Valve-Relief, Proportional |
| 10:1 | 105-9156 | 1 | Seal Kit |
| 10:2 | 119-2160 | 1 | Nut-Coil |
| 11 | 110-6344 | 1 | Coil-12V, DC |



Rear Traction Manifold Assembly No. 121-1530

| <i>Ref.</i> | <i>Part Number</i> | <i>Qty.</i> | <i>Description</i> |
|-------------|--------------------|-------------|--------------------------|
| 3 | 107-7525 | 1 | Plug-Orifice (.050 Inch) |
| 4 | | 1 | Plug ● |
| 5 | 353-990 | 1 | Plug ASM |
| 5:1 | 237-78 | 1 | O-Ring |
| 6 | 125-4328 | 1 | Valve-Check |
| 6:1 | 125-4336 | 1 | Seal Kit |
| 7 | 125-4329 | 1 | Valve-Reducing |
| 7:1 | 125-4334 | 1 | Seal Kit |
| 8 | 125-4331 | 1 | Valve-Relief |
| 8:1 | 110-6316 | 1 | Seal Kit |

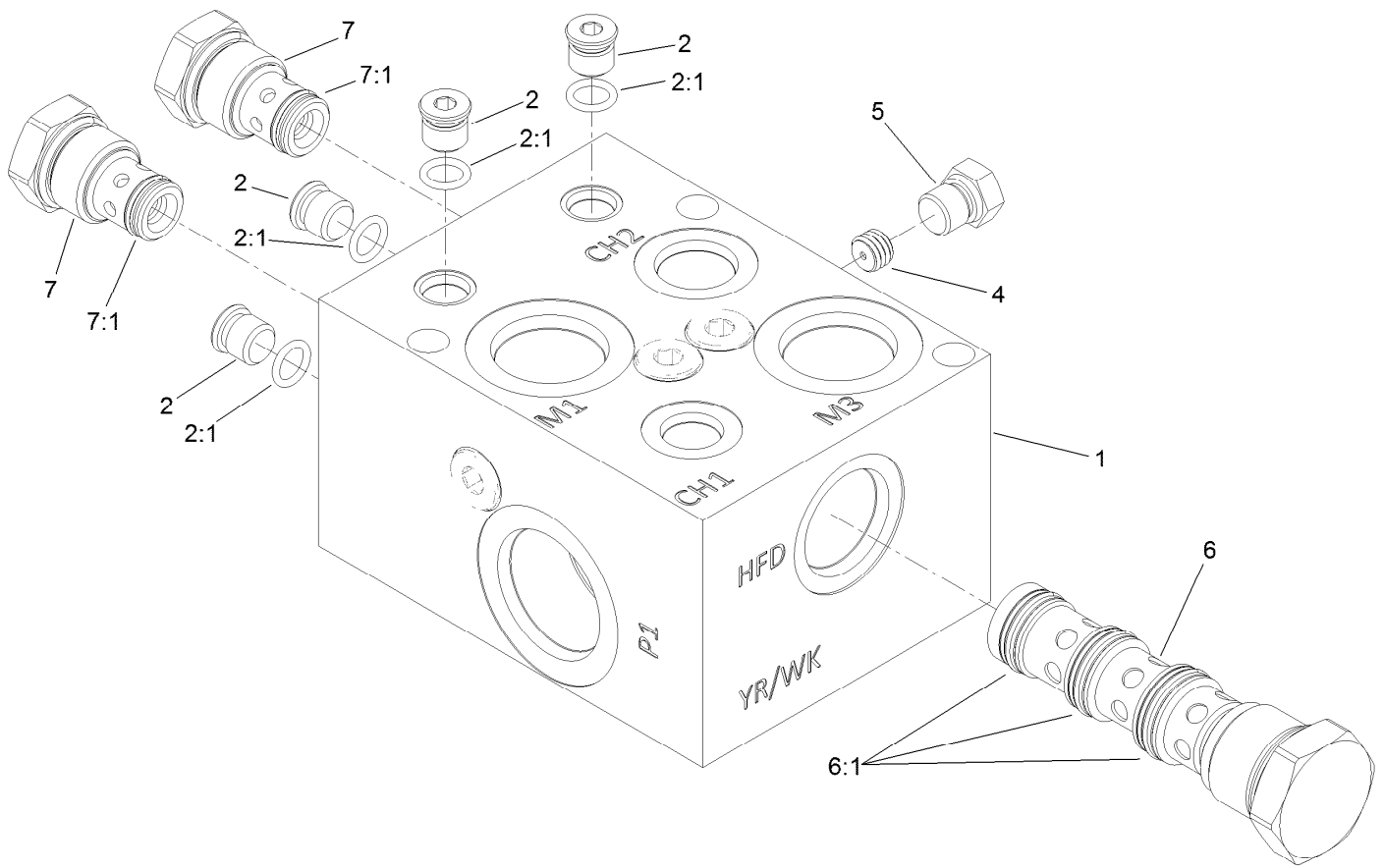
● Not serviced separately



Center and Right Power-Take-Off Manifold Assembly No. 121-1537

| <i>Ref.</i> | <i>Part Number</i> | <i>Qty.</i> | <i>Description</i> |
|-------------|--------------------|-------------|----------------------------|
| 1 | | 1 | Manifold Block ● |
| 3 | 117-8315 | 1 | Orifice (.025 Inch) |
| 4 | 353-990 | 1 | Plug ASM |
| 4:1 | 237-78 | 1 | O-Ring |
| 5 | | 1 | Plug ● |
| 6 | 114-5512 | 1 | Valve-Relief, 600 PSI |
| 6:1 | 105-9156 | 1 | Seal Kit |
| 7 | 105-9153 | 1 | Element-Logic, Vented |
| 7:1 | 119-2159 | 1 | Seal Kit |
| 8 | 125-4327 | 1 | Valve-Directional, Pilot |
| 8:1 | 114-5515 | 1 | Seal Kit |
| 9 | 117-0227 | 1 | Valve-Relief, Proportional |
| 9:1 | 105-9156 | 1 | Seal Kit |
| 9:2 | 119-2160 | 1 | Nut-Coil |
| 10 | 110-6344 | 1 | Coil-12V, DC |

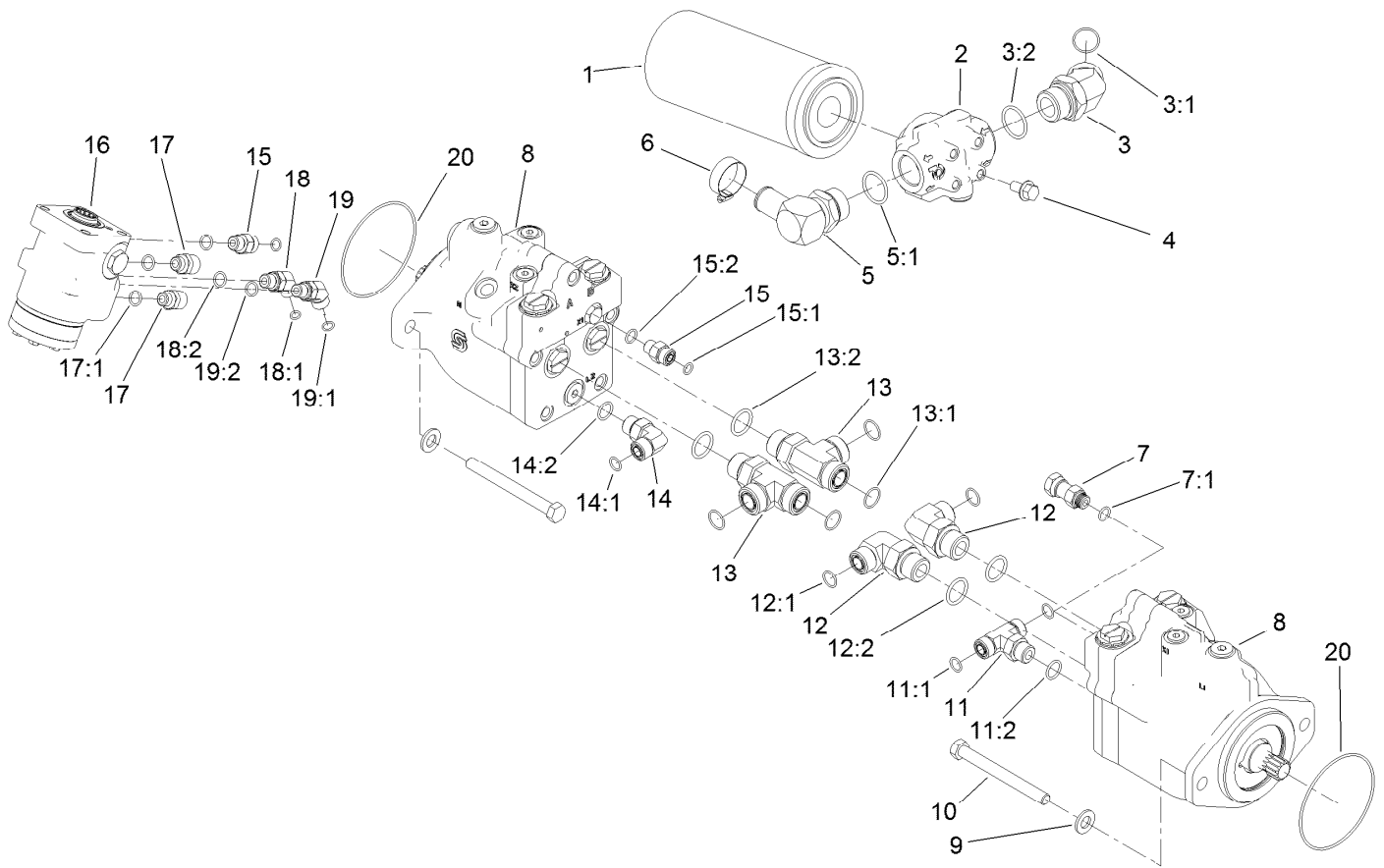
● Not serviced separately



Flow Divider Manifold Assembly No. 121-1550

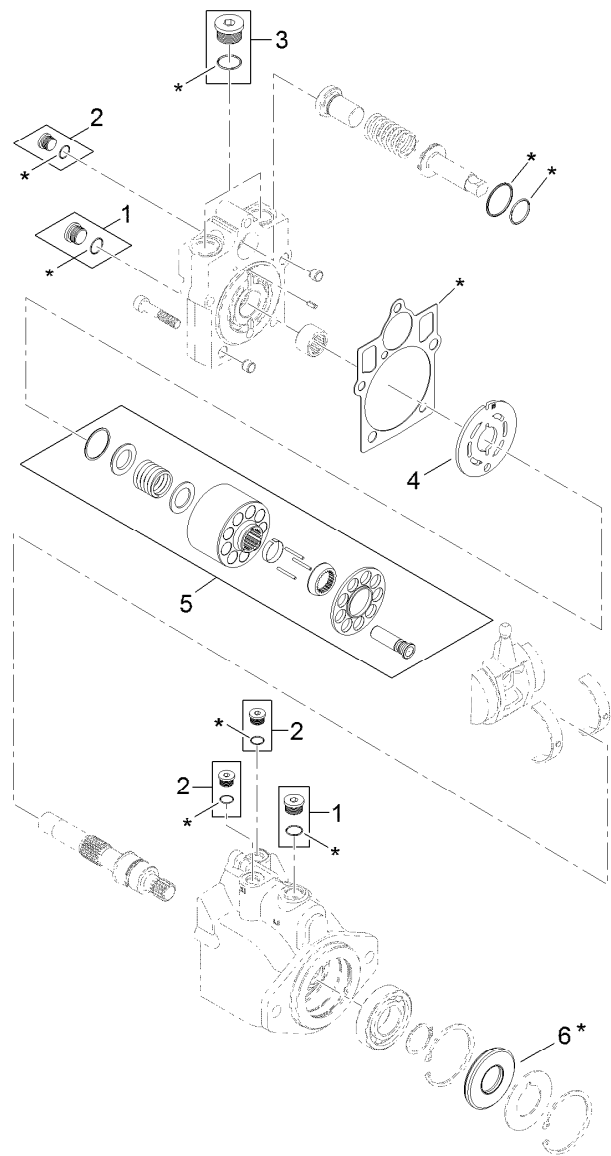
| Ref. | Part Number | Qty. | Description |
|------|-------------|------|---------------------|
| 1 | | 1 | Manifold Block ● |
| 2 | 353-990 | 4 | Plug ASM |
| 2:1 | 237-78 | 1 | O-Ring |
| 4 | 112-6538 | 1 | Orifice (.063 Inch) |
| 5 | 117-0115 | 1 | Plug |
| 6 | 125-4332 | 1 | Valve-Flow Divider |
| 6:1 | 125-4338 | 1 | Seal Kit |
| 7 | 125-4333 | 2 | Valve-Check |
| 7:1 | 125-4337 | 1 | Seal Kit |

● Not serviced separately



Drive Motor, Steer Valve and Filter Head Assembly

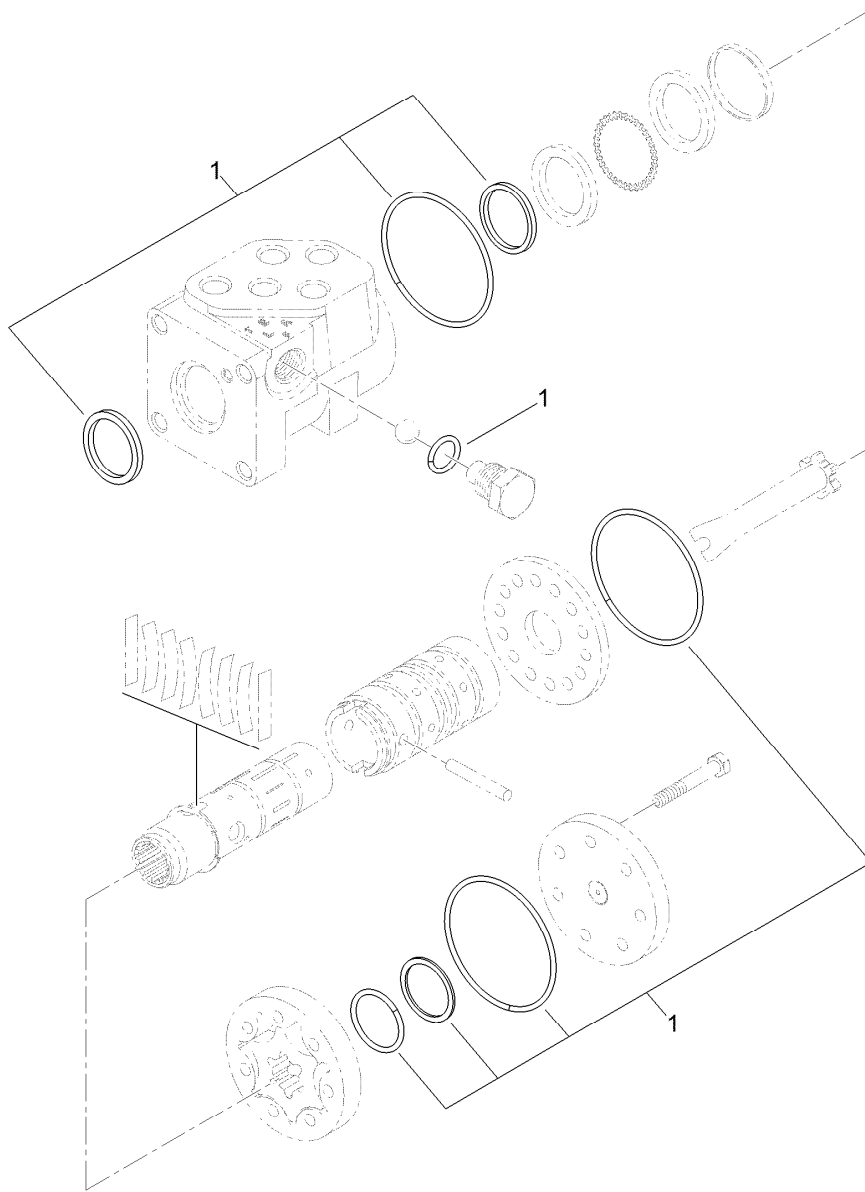
| Ref. | Part Number | Qty. | Description | Ref. | Part Number | Qty. | Description |
|------|-------------|------|----------------------------|------|-------------|------|----------------------------|
| 1 | 94-2621 | 1 | Element-Filter | 13 | 340-148 | 2 | Fitting-Tee |
| 2 | 121-1577 | 1 | Head-Filter | 13:1 | 237-81 | 1 | O-Ring |
| 3 | 104-3509 | 1 | Fitting-HYD, 45 DEG | 13:2 | 237-58 | 2 | O-Ring |
| 3:1 | 237-146 | 1 | O-Ring | 14 | 340-98 | 1 | Fitting-Elbow, 90 DEG |
| 3:2 | 340-65 | 1 | O-Ring | 14:1 | 237-79 | 1 | O-Ring |
| 4 | 3234-1 | 4 | Screw-HHF | 14:2 | 237-30 | 1 | O-Ring |
| 5 | 23-8910 | 1 | Stem-Barb-90 | 15 | 340-2 | 2 | Fitting-Straight |
| 5:1 | 237-146 | 1 | O-Ring | 15:1 | 237-22 | 1 | O-Ring |
| 6 | 2412-34 | 1 | Clamp-Hose | 15:2 | 237-42 | 1 | O-Ring |
| 7 | 104-3779 | 1 | Connector-Swivel, Straight | 16 | 130-7949 | 1 | Steering Control Valve ASM |
| 7:1 | 237-42 | 1 | O-Ring | 17 | 120-8979 | 2 | Fitting-Straight |
| 8 | 120-8812 | 2 | HYD Motor ASM | 17:1 | 237-42 | 1 | O-Ring |
| 9 | 106-9888 | 4 | Washer-Flat | 18 | 340-137 | 1 | Fitting |
| 10 | 33116-120 | 4 | Screw-HH | 18:1 | 237-21 | 1 | O-Ring |
| 11 | 340-157 | 1 | Fitting-HYD, Tee | 18:2 | 237-42 | 1 | O-Ring |
| 11:1 | 237-79 | 1 | O-Ring | 19 | 340-87 | 1 | Fitting-Elbow, 45 DEG |
| 11:2 | 237-30 | 2 | O-Ring | 19:1 | 237-22 | 1 | O-Ring |
| 12 | 340-139 | 2 | Fitting-Elbow 90 | 19:2 | 237-42 | 1 | O-Ring |
| 12:1 | 237-81 | 1 | O-Ring | 20 | 237-166 | 2 | O-Ring |
| 12:2 | 237-65 | 1 | O-Ring | | | | |



7 = all items with * are included in overhaul seal kit

Hydraulic Motor Assembly No. 120-8812

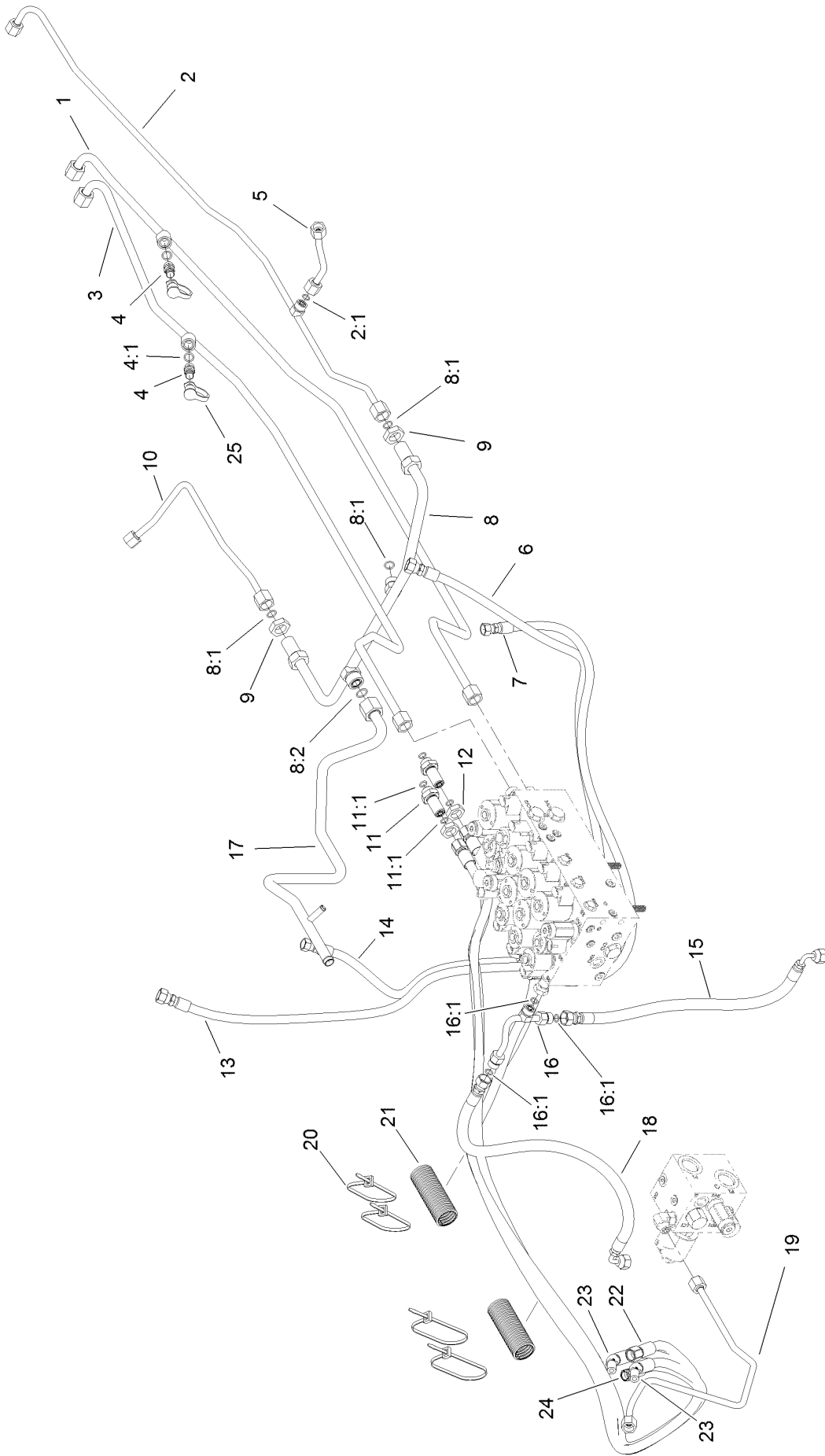
| <i>Ref.</i> | <i>Part Number</i> | <i>Qty.</i> | <i>Description</i> |
|-------------|--------------------|-------------|--------------------|
| 1 | 67-9090 | 2 | Plug |
| 2 | 75-0070 | 3 | Plug |
| 3 | 107-4352 | 1 | Plug |
| 4 | 121-1734 | 1 | Plate-Valve |
| 5 | 121-1735 | 1 | Cylinder Block Kit |
| 6 | 69-3190 | 1 | Seal-Lip |
| 7 | 121-1736 | 1 | Overhaul Seal Kit |



Steering Valve Assembly No. 130-7949

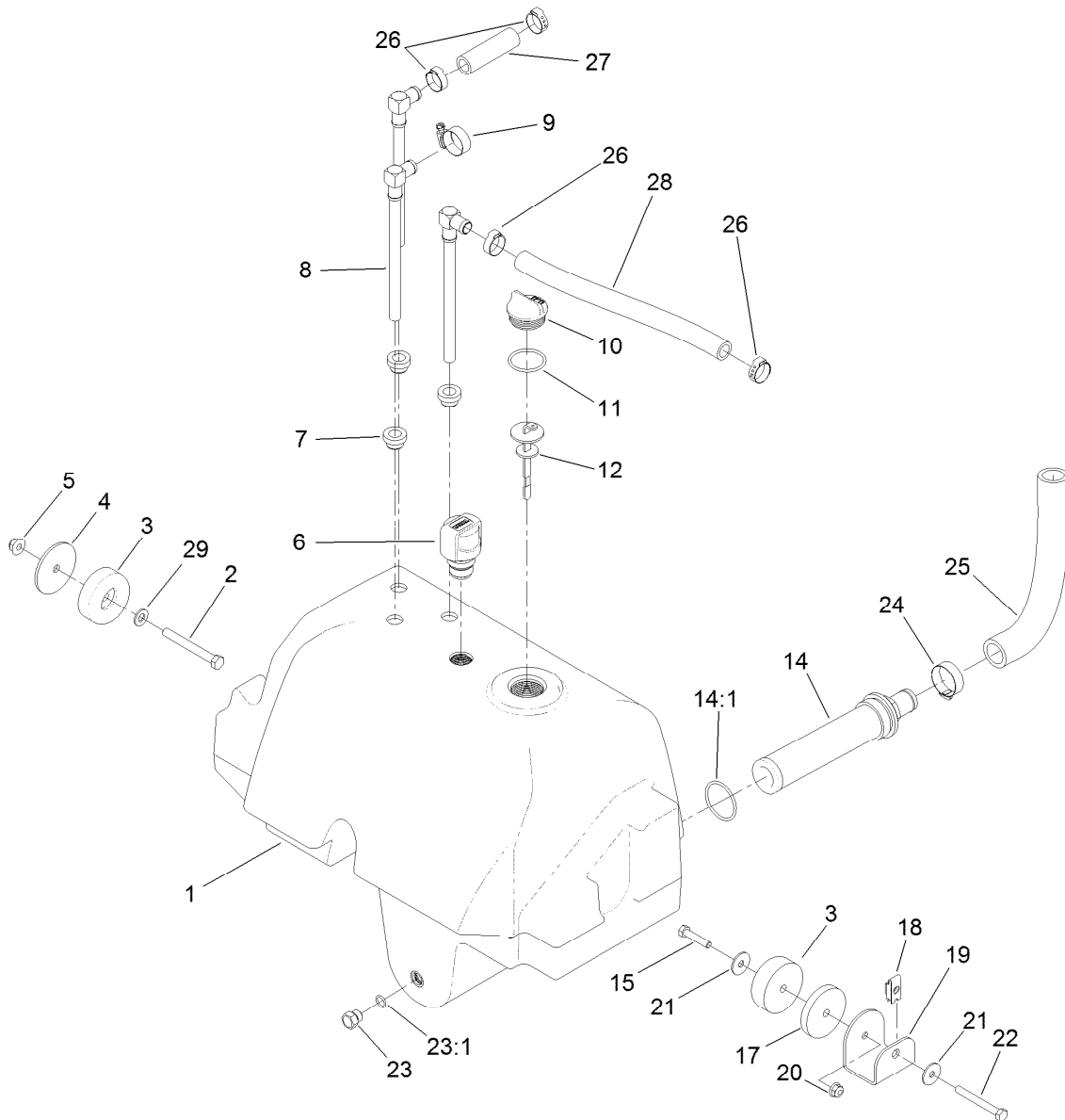
| <i>Ref.</i> | <i>Part Number</i> | <i>Qty.</i> | <i>Description</i> |
|-------------|--------------------|-------------|--------------------|
| 1 | 130-8358 | 1 | Seal Kit |

Lift, Steer and Fan Hydraulic Assembly



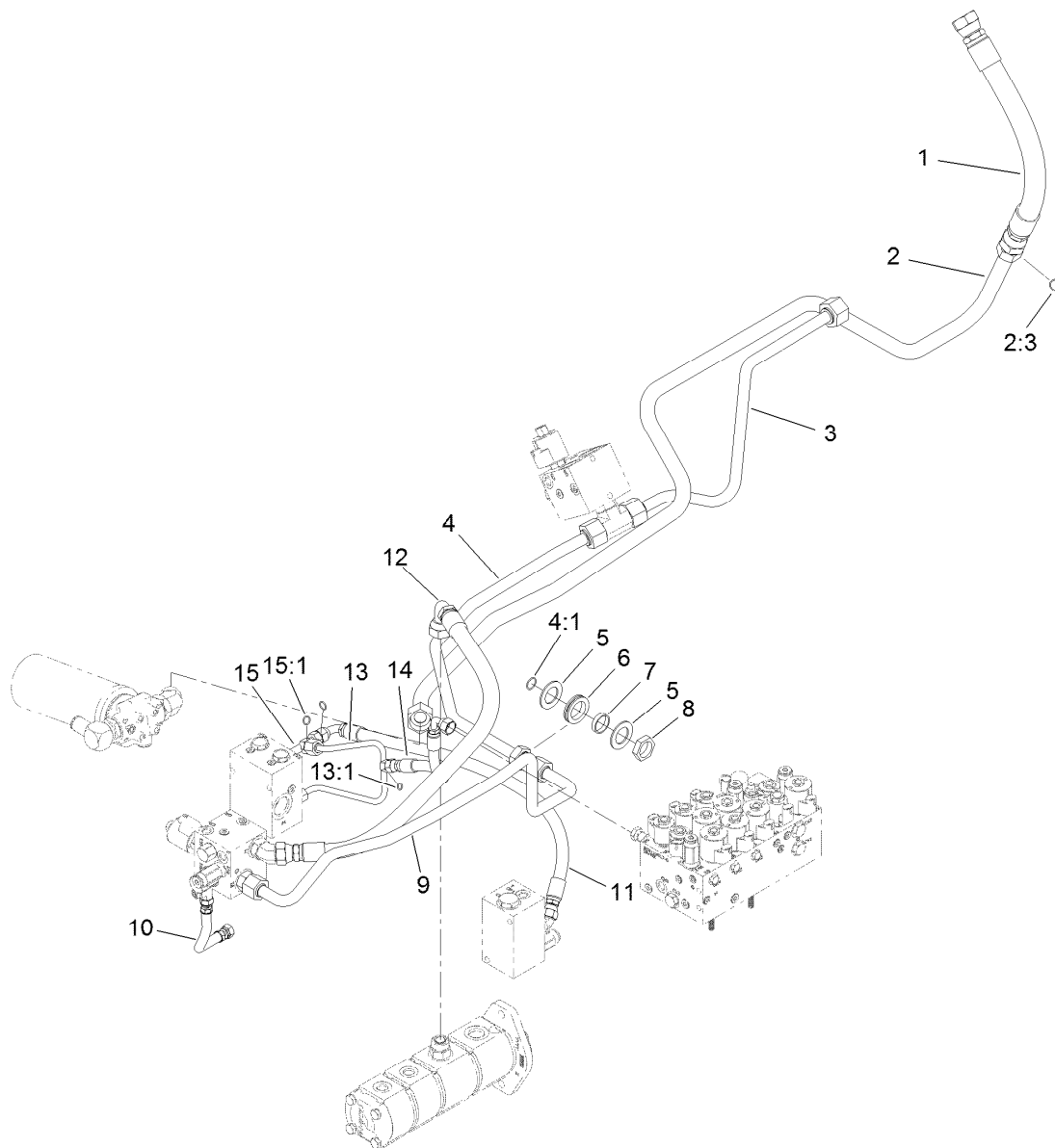
Lift, Steer and Fan Hydraulic Assembly (continued)

| <i>Ref.</i> | <i>Part Number</i> | <i>Qty.</i> | <i>Description</i> | <i>Ref.</i> | <i>Part Number</i> | <i>Qty.</i> | <i>Description</i> |
|-------------|--------------------|-------------|----------------------------|-------------|--------------------|-------------|--------------------|
| 1 | 120-9074 | 1 | Tube-Fan | 12 | 340-70 | 2 | Nut-Lock |
| 2 | 120-8966 | 1 | Tube-Drain, Fan | 13 | 127-3736 | 1 | Hose-HYD |
| 2:1 | 237-22 | 1 | O-Ring | 14 | 100-3833 | 1 | Hose-HYD |
| 3 | 120-9075 | 1 | Tube-Fan | 15 | 121-1567 | 1 | Hose-HYD |
| 4 | 59-7410 | 2 | Fitting-Diagnostic | 16 | 121-1565 | 1 | Tube-Tee |
| 4:1 | 237-42 | 1 | O-Ring | 16:1 | 237-22 | 3 | O-Ring |
| 5 | 121-1523 | 1 | Tube-HYD | 17 | 121-1510 | 1 | Tube-HYD |
| 6 | 127-3737 | 1 | Hose-HYD | 18 | 121-1566 | 1 | Hose-HYD |
| 7 | 127-3738 | 1 | Hose-HYD | 19 | 120-8848 | 1 | Tube-HYD |
| 8 | 121-1509 | 1 | Tube-HYD | 20 | 3290-378 | 4 | Tie-Cable |
| 8:1 | 237-30 | 3 | O-Ring | 21 | 121-1544 | 2 | Cover-Hose |
| 8:2 | 237-65 | 1 | O-Ring | 22 | 121-1504 | 1 | Hose-HYD |
| 9 | 340-127 | 2 | Nut-Bulkhead | 23 | 121-1491 | 2 | Hose-HYD |
| 10 | 121-1522 | 1 | Tube-HYD | 24 | 121-1503 | 1 | Hose-HYD |
| 11 | 340-71 | 2 | Fitting-Straight, Bulkhead | 25 | 354-79 | 2 | Cap-Dust |
| 11:1 | 237-22 | 2 | O-Ring | | | | |



Hydraulic Reservoir Assembly

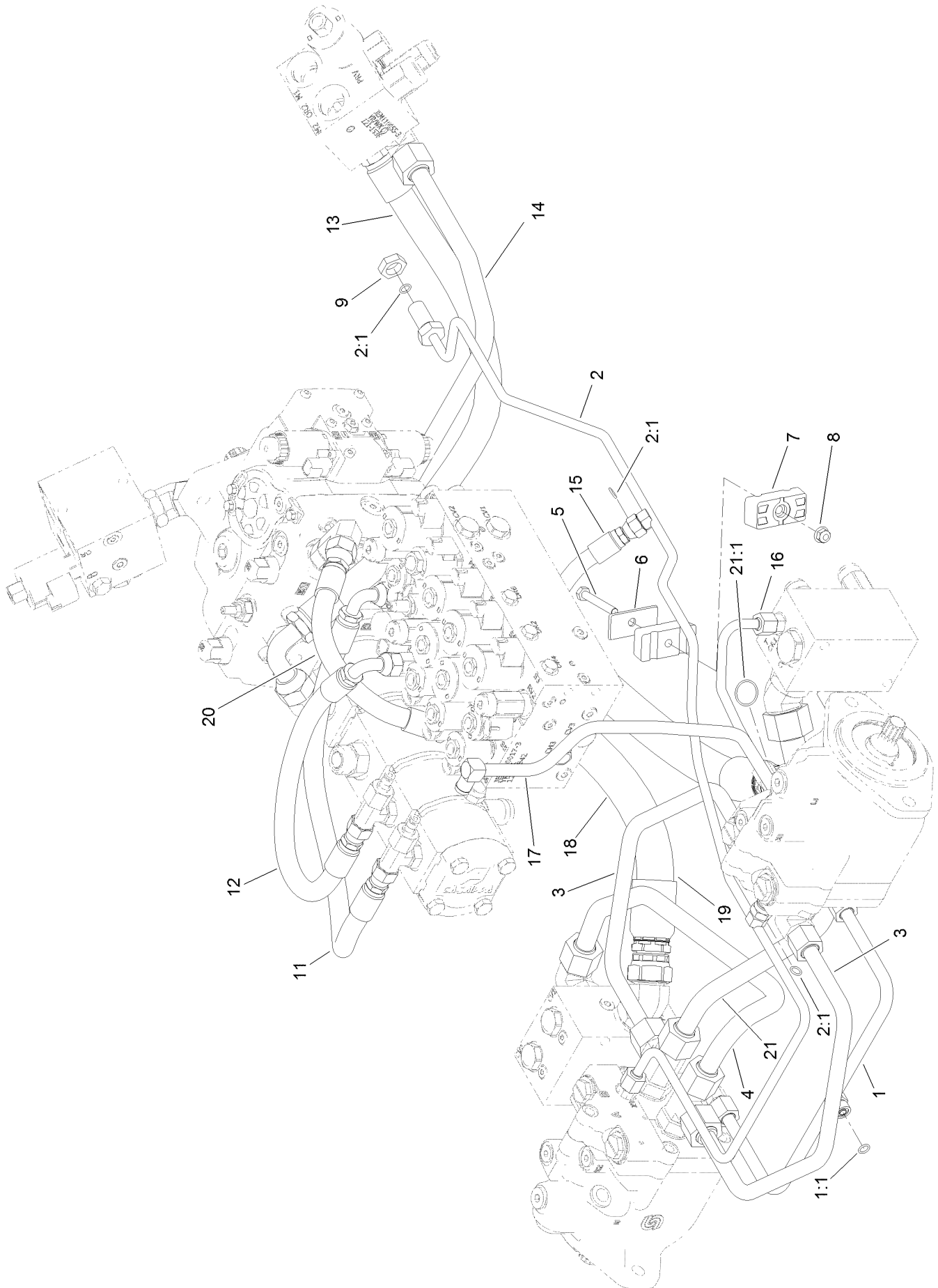
| <i>Ref.</i> | <i>Part Number</i> | <i>Qty.</i> | <i>Description</i> | <i>Ref.</i> | <i>Part Number</i> | <i>Qty.</i> | <i>Description</i> |
|-------------|--------------------|-------------|--------------------|-------------|--------------------|-------------|--------------------|
| 1 | 120-9077 | 1 | Reservoir-HYD | 17 | 121-1533 | 1 | Spacer-Thick |
| 2 | 323-20 | 1 | Screw-HH | 18 | 110-3510 | 1 | Nut-Retainer |
| 3 | 108-1605 | 2 | Bumper-Recess | 19 | 121-1557-03 | 1 | Mount-Tank |
| 4 | 121-1456 | 1 | Spacer-Thin | 20 | 104-8300 | 1 | Nut-HF, NI |
| 5 | 104-8301 | 1 | Nut-HF, NI | 21 | 3256-82 | 2 | Washer-Flat |
| 6 | 115-9793 | 1 | Breather | 22 | 322-13 | 1 | Screw-HH |
| 7 | 104-0790 | 3 | Bushing | 23 | 353-508 | 1 | Plug-HH |
| 8 | 114-0002 | 3 | Pipe-Stand | 23:1 | 237-42 | 1 | O-Ring |
| 9 | 2412-129 | 1 | Clamp-Hose | 24 | 2412-34 | 1 | Clamp-Hose |
| 10 | 93-7498 | 1 | Plug-Plastic | 25 | 120-8810 | 1 | Hose-Strainer |
| 11 | 237-101 | 1 | O-Ring | 26 | 115-5436 | 4 | Clamp-Hose, Crimp |
| 12 | 112-6365 | 1 | Dipstick | 27 | 114-4920 | 1 | Hose |
| 14 | 104-7546 | 1 | Tank Strainer ASM | 28 | 121-1521 | 1 | Hose |
| 14:1 | 340-136 | 1 | O-Ring | 29 | 3256-24 | 1 | Washer-Flat |
| 15 | 322-7 | 1 | Screw-HH | | | | |



Oil Cooler Hydraulic Assembly

| <i>Ref.</i> | <i>Part Number</i> | <i>Qty.</i> | <i>Description</i> | <i>Ref.</i> | <i>Part Number</i> | <i>Qty.</i> | <i>Description</i> |
|-------------|--------------------|-------------|--------------------|-------------|--------------------|-------------|------------------------|
| 1 | 120-9060 | 1 | Hose-HYD | 9 | 120-8838 | 1 | Tube-PTO, Front Return |
| 2 | 121-1612 | 1 | Tube ASM | 10 | 121-1572 | 1 | Hose-HYD |
| 2:3 | 340-65 | 1 | O-Ring | 11 | 121-1559 | 1 | Hose-HYD |
| 3 | 121-1626 | 1 | Tube-HYD | 12 | 115-4384 | 1 | Hose-HYD |
| 4 | 121-1507 | 1 | Tube ASM | 13 | 121-1584 | 1 | Tube-HYD |
| 4:1 | 237-58 | 1 | O-Ring | 13:1 | 237-22 | 1 | O-Ring |
| 5 | 69-8910 | 2 | Washer | 14 | 121-1583 | 1 | Hose-HYD |
| 6 | 240-7 | 1 | Grommet-Rubber | 15 | 121-1558 | 1 | Fitting-Tee |
| 7 | 69-8900 | 1 | Spacer | 15:1 | 237-30 | 2 | O-Ring |
| 8 | 340-126 | 1 | Nut-Bulkhead | | | | |

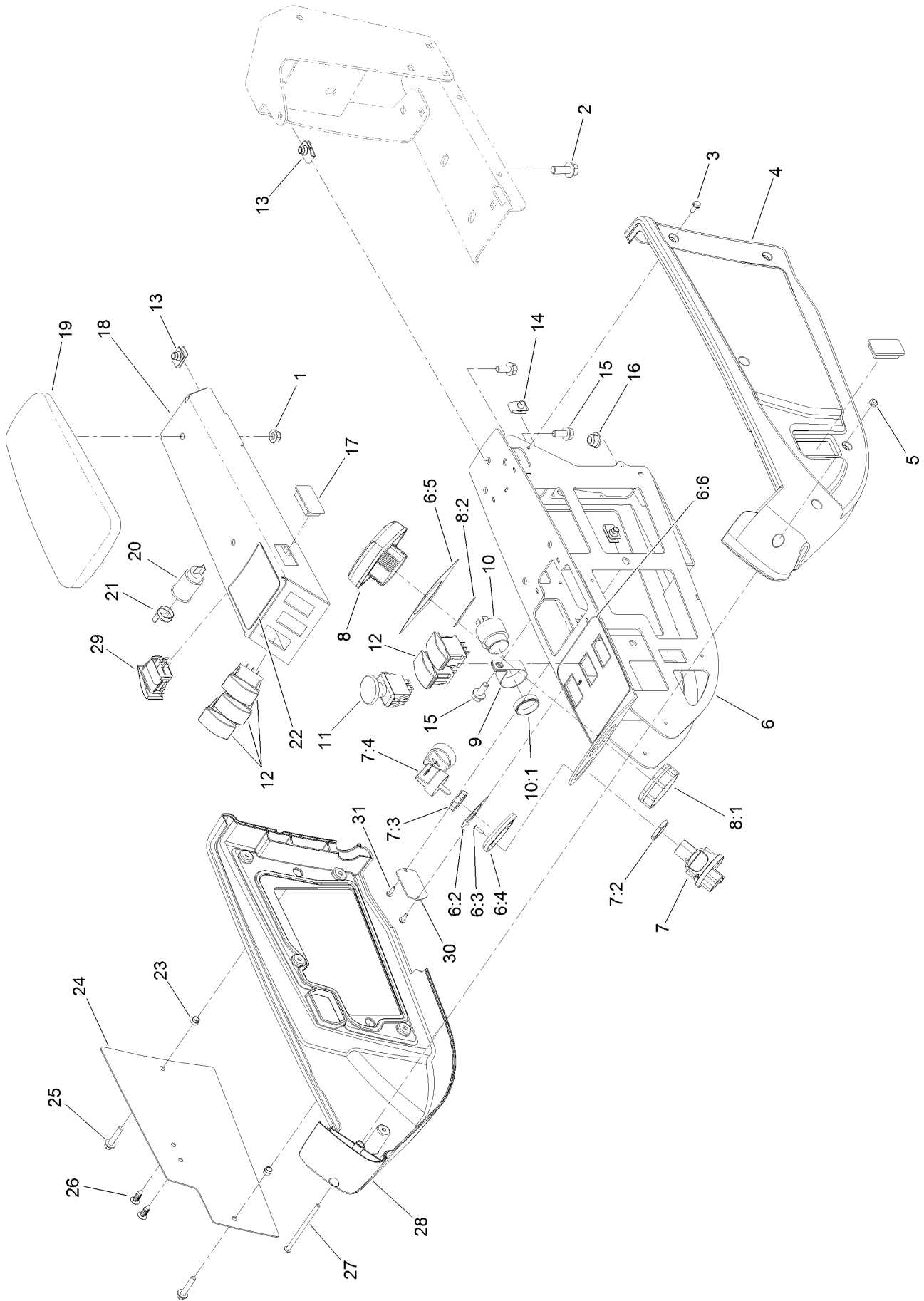
Traction Hydraulic Assembly



Traction Hydraulic Assembly (continued)

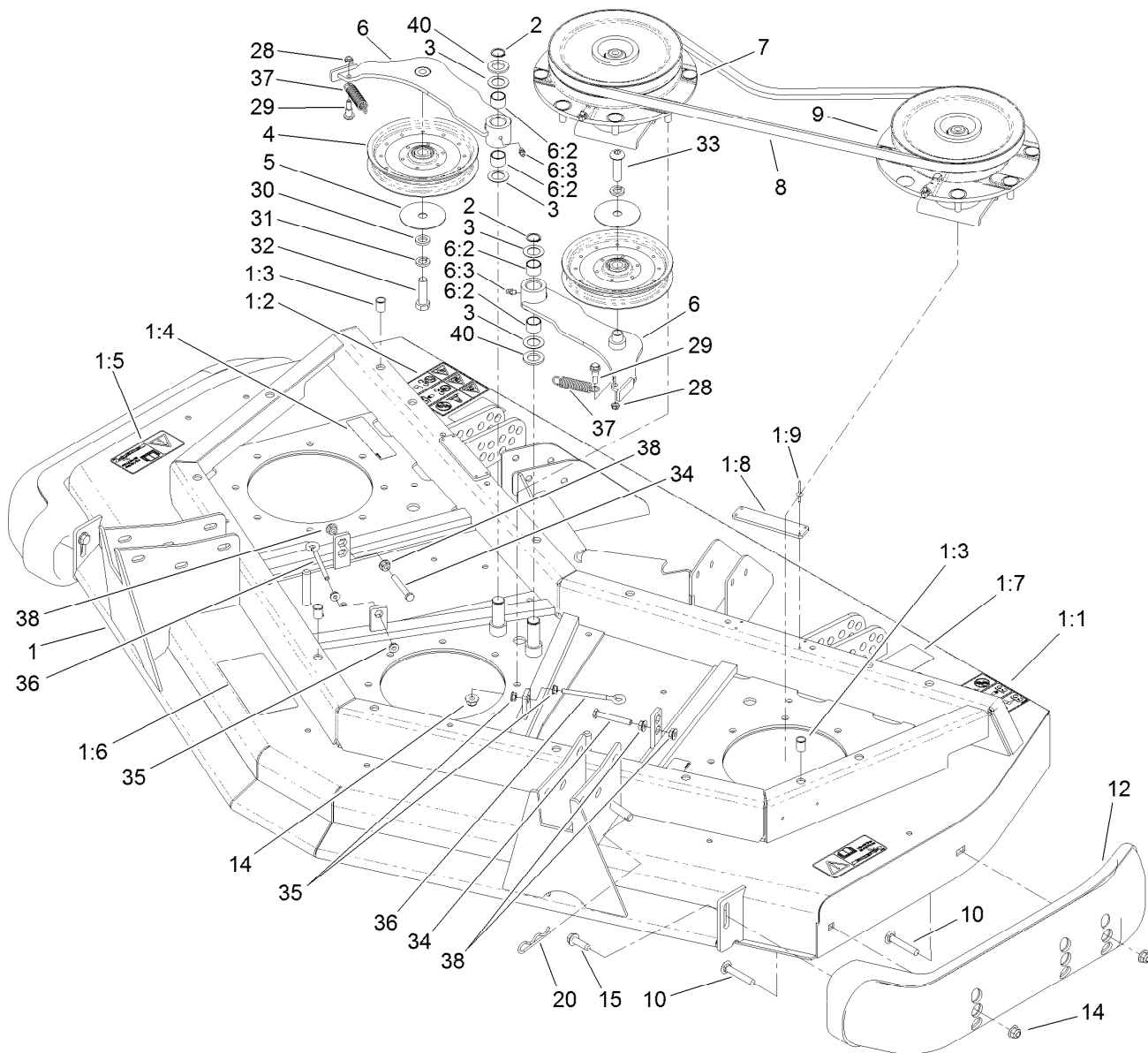
| <i>Ref.</i> | <i>Part Number</i> | <i>Qty.</i> | <i>Description</i> | <i>Ref.</i> | <i>Part Number</i> | <i>Qty.</i> | <i>Description</i> |
|-------------|--------------------|-------------|--------------------|-------------|--------------------|-------------|--------------------|
| 1 | 120-9080 | 1 | Tube ASM | 12 | 104-4584 | 1 | Hose-HYD |
| 1:1 | 237-22 | 1 | O-Ring | 13 | 115-4384 | 1 | Hose-HYD |
| 2 | 121-1552 | 1 | Tube ASM | 14 | 120-8834 | 1 | Tube-PTO, LH To RH |
| 2:1 | 237-22 | 3 | O-Ring | 15 | 104-2234 | 1 | Hose-HYD |
| 3 | 120-9079 | 2 | Tube-HYD | 16 | 121-1480 | 1 | Tube-HYD |
| 4 | 121-1546 | 1 | Tube-HYD | 17 | 120-8961 | 1 | Tube-Return, Front |
| 5 | 322-11 | 1 | Screw-HH | 18 | 121-1564 | 1 | Hose-HYD |
| 6 | 69-9761 | 1 | Plate-Cover | 19 | 121-1563 | 1 | Hose-HYD |
| 7 | 120-3200 | 2 | Clamp-Tube | 20 | 121-1505 | 1 | Hose-HYD |
| 8 | 104-8300 | 1 | Nut-HF, NI | 21 | 121-1581 | 1 | Tube-Tee |
| 9 | 340-70 | 1 | Nut-Lock | 21:1 | 340-65 | 1 | O-Ring |
| 11 | 104-2807 | 1 | Hose-HYD | | | | |

Armrest Control Panel Assembly



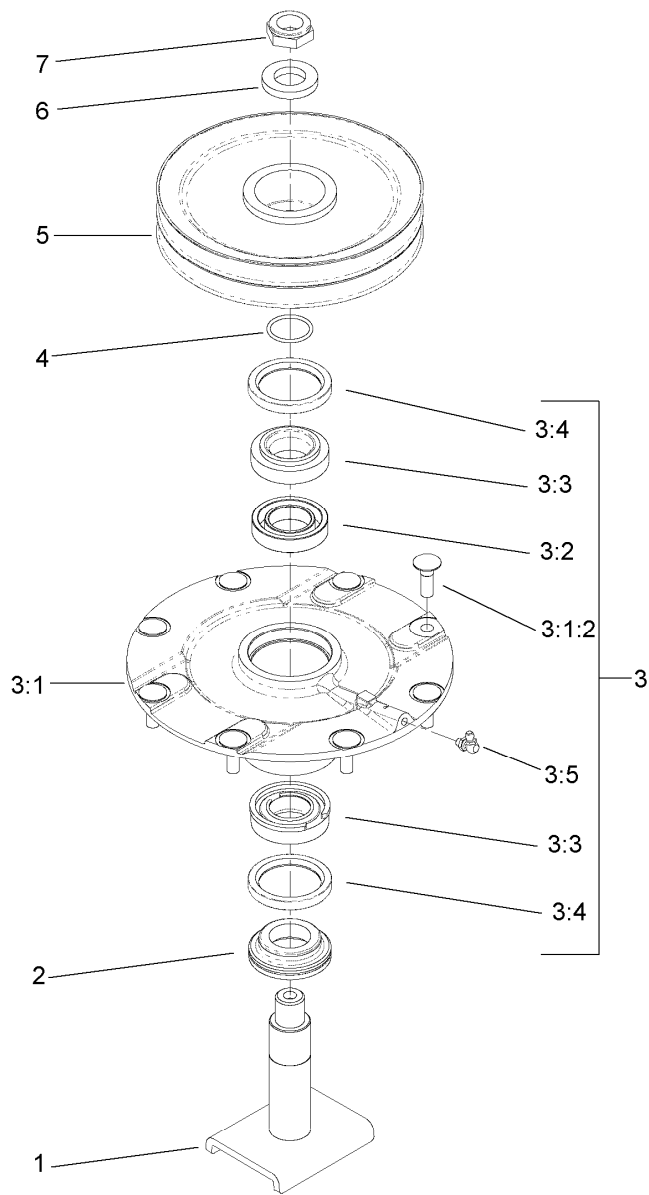
Armrest Control Panel Assembly (continued)

| <i>Ref.</i> | <i>Part Number</i> | <i>Qty.</i> | <i>Description</i> | <i>Ref.</i> | <i>Part Number</i> | <i>Qty.</i> | <i>Description</i> |
|-------------|--------------------|-------------|------------------------|-------------|--------------------|-------------|---------------------------------|
| 1 | 104-8300 | 2 | Nut-HF, NI | 12 | 100-1535 | 5 | Switch-Rocker, (On)-Off-(On) |
| 2 | 3234-42 | 2 | Screw-HHF | 13 | 94-2413 | 6 | Nut-U |
| 3 | 32144-112 | 10 | Screw-HWH | 14 | 107069 | 2 | Clip |
| 4 | 108-7604 | 1 | Cover-LH | 15 | 3234-5 | 6 | Screw-HHF |
| 5 | 3296-12 | 1 | Nut-Lock, NI | 16 | 104-8301 | 2 | Nut-HF, NI |
| 6 | 120-4155 | 1 | Panel ASM | 17 | 99-7420 | 2 | Plug-Hole |
| 6:2 | 121-3884 | 1 | Decal-Console, Upper | 18 | 125-4646-03 | 1 | Panel-Control |
| 6:3 | 3269-17 | 2 | Rivet-Pop | 19 | 108-7602 | 1 | Rest-Arm |
| 6:4 | 121-3889 | 1 | Step-Elevated, Switch | 20 | 99-7411 | 1 | Point-Power |
| 6:5 | 121-3887 | 1 | Decal-Console, Display | 21 | 99-7416 | 1 | Cap |
| 6:6 | 120-4159 | 1 | Decal-Console, Lower | 22 | 127-3700 | 1 | Decal-Lift |
| 7 | 121-5159 | 1 | Ignition Switch ASM | 23 | 110-0542 | 2 | Spacer-Flange |
| 7:2 | 121-5160 | 1 | Nut-Hex | 24 | 115-8849-03 | 1 | Plate-Cover |
| 7:3 | 121-5161 | 1 | Nut-Face | 25 | 3234-21 | 2 | Screw-HHF |
| 7:4 | 121-5162 | 1 | Set-Key, Ignition | 26 | 114-4899 | 2 | Rivet-Push |
| 8 | 120-6310 | 1 | LCD Display ASM | 27 | 3250-22 | 1 | Screw-PPH |
| 8:1 | 120-4630 | 1 | Nut-Display | 28 | 108-7605 | 1 | Cover-RH |
| 8:2 | 120-6311 | 1 | Decal-Display | 29 | 114-3329 | 1 | Switch-Rocker |
| 9 | 2412-74 | 1 | R-Clamp | 30 | 121-1630 | 1 | Plate-Cover |
| 10 | 80-9330 | 1 | Audio Alarm ASM | 31 | 32144-18 | 2 | Screw-HWH |
| 10:1 | 104-5107 | 1 | Nut-Plastic, Knurled | | | | |
| 11 | 93-9999 | 1 | Switch-PTO | | | | |



Front Deck, Idler and Skid Assembly

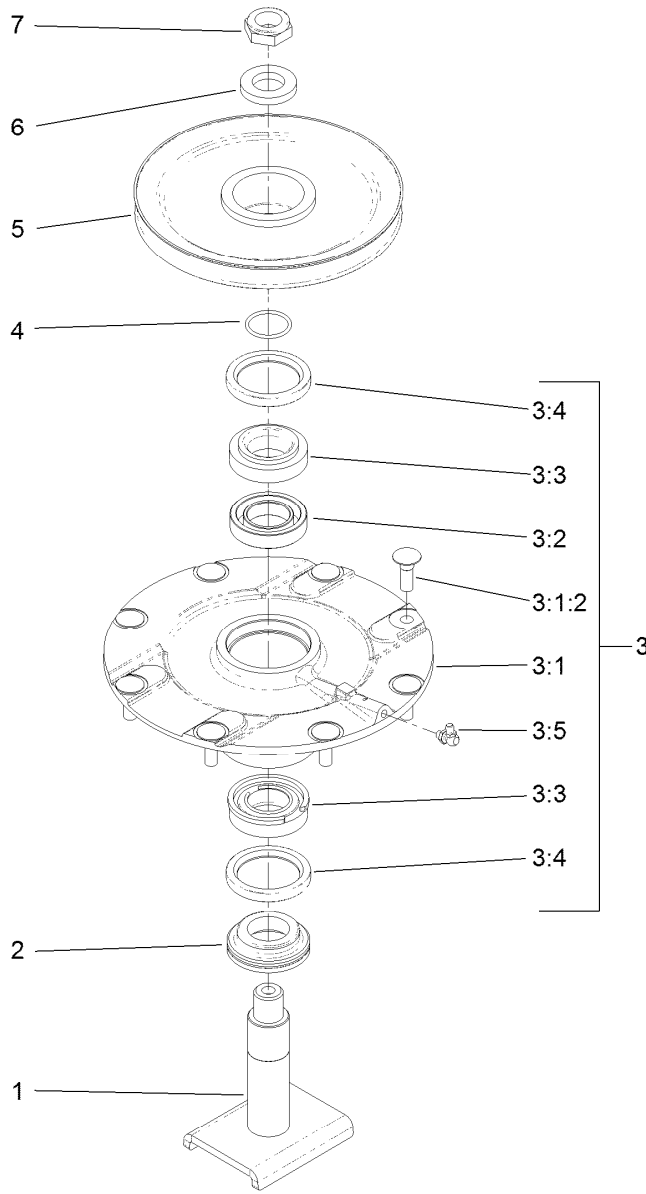
| Ref. | Part Number | Qty. | Description | Ref. | Part Number | Qty. | Description |
|------|-------------|------|---------------------------|------|-------------|------|-------------------------|
| 1 | 120-4052 | 1 | Front Deck ASM | 9 | 119-4549 | 1 | High-Driven Spindle ASM |
| 1:1 | 120-6604 | 2 | Decal-Danger | 10 | 3231-33 | 4 | Screw-CARR |
| 1:2 | 100-5624 | 1 | Decal-HOC, RH | 12 | 112-1479 | 2 | Skid-Bumper, Deck |
| 1:3 | 32148-9 | 3 | Nut-Clinch | 14 | 104-8301 | 24 | Nut-HF, NI |
| 1:4 | 100-6578 | 4 | Decal-Danger | 15 | 9136144 | 2 | Screw-HWHTF |
| 1:5 | 93-7818 | 2 | Decal-Torque, Blade Bolt | 20 | 3290-355 | 1 | Pin-Hair |
| 1:6 | 100-5622 | 1 | Decal-HOC | 28 | 3296-56 | 2 | Nut-Lock, NI |
| 1:7 | 104-3578 | 1 | Decal-HOC, LH | 29 | 104-0858 | 2 | Bolt-Shoulder |
| 1:8 | 105-0786 | 2 | Pad-Plastic | 30 | 9202424 | 1 | Spacer |
| 1:9 | 3269-8 | 8 | Rivet-Blind | 31 | 3253-7 | 2 | Washer-Lock |
| 2 | 32120-72 | 2 | Ring-Snap | 32 | 325-7 | 1 | Screw-HH |
| 3 | 3-6498 | 4 | Washer-Thrust | 33 | 108-1993 | 1 | Screw-HSBH |
| 4 | 110-9596 | 2 | Pulley-Idler | 34 | 9114524 | 2 | Bolt-TAP, HH |
| 5 | 100-3102 | 2 | Washer-Flat | 35 | 32128-14 | 4 | Nut-HF |
| 6 | 110-6128 | 2 | Idler Arm ASM | 36 | 68-0090 | 2 | Screw-Adjusting |
| 6:2 | 256-76 | 2 | Bushing | 37 | 107938 | 2 | Spring-Extension |
| 6:3 | 302-5 | 1 | Fitting-Grease | 38 | 32128-26 | 4 | Nut-Flange |
| 7 | 119-4548 | 1 | Double Driven Spindle ASM | 40 | 70-1160 | 2 | Washer |
| 8 | 108-8076 | 2 | V-Belt, Deck | | | | |



Double Driven Spindle Assembly No. 119-4548

| Ref. | Part Number | Qty. | Description |
|-------|-------------|------|-----------------------|
| 1 | 104-3554 | 1 | Shaft-Spindle |
| 2 | 69-6950 | 1 | Spacer-Shaft, Spindle |
| 3 | 119-4775 | 1 | Spindle Housing ASM |
| 3:1 | | 1 | Spindle ASM ● |
| 3:1:2 | 114-8195 | 8 | Bolt-Neck, Ribbed |
| 3:2 | 120-5577 | 1 | Bearing Spacer Set |
| 3:3 | 110-8297 | 1 | Bearing ASM |
| 3:4 | 253-154 | 2 | Seal-Oil |
| 3:5 | 302-60 | 1 | Fitting-Grease |
| 4 | 106-7159 | 1 | O-Ring |
| 5 | 104-3547 | 1 | Pulley-Driven, Double |
| 6 | 120-5576 | 1 | Washer-Hardened |
| 7 | 3296-60 | 1 | Nut-Lock, NI |

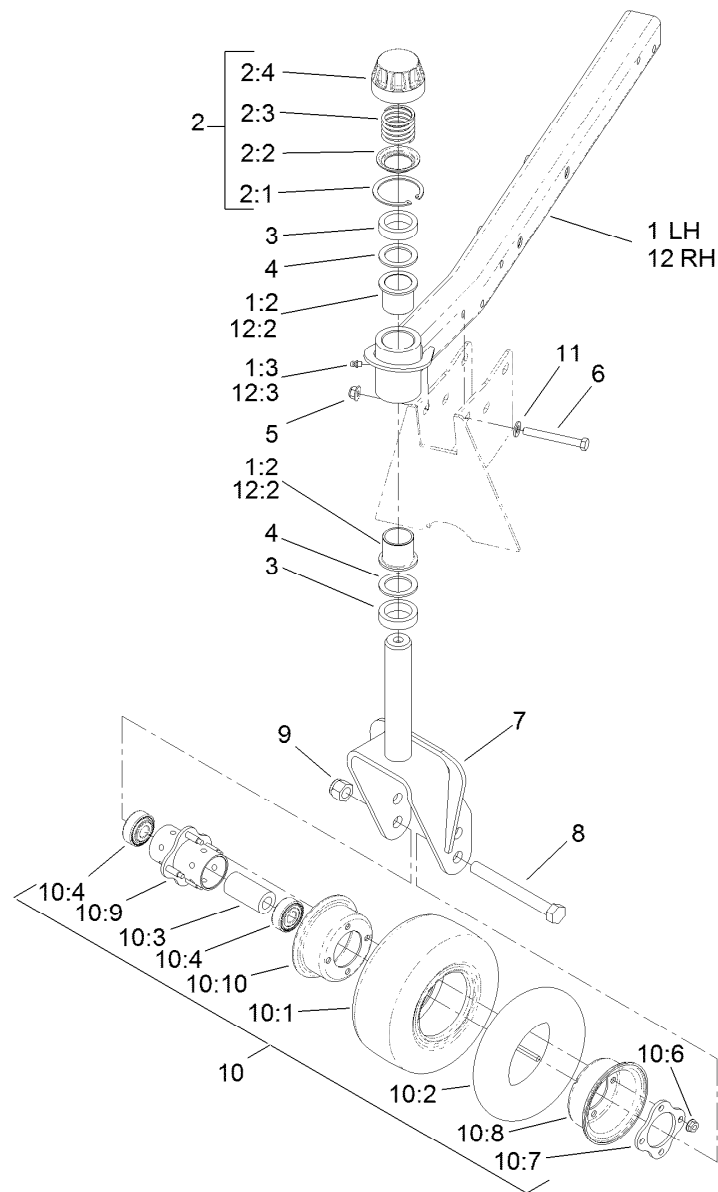
● Not serviced separately



High Driven Spindle Assembly No. 119-4549

| Ref. | Part Number | Qty. | Description |
|-------|-------------|------|-----------------------|
| 1 | 104-3554 | 1 | Shaft-Spindle |
| 2 | 69-6950 | 1 | Spacer-Shaft, Spindle |
| 3 | 119-4775 | 1 | Spindle Housing ASM |
| 3:1 | | 1 | Spindle ASM ● |
| 3:1:2 | 114-8195 | 8 | Bolt-Neck, Ribbed |
| 3:2 | 120-5577 | 1 | Bearing Spacer Set |
| 3:3 | 110-8297 | 1 | Bearing ASM |
| 3:4 | 253-154 | 2 | Seal-Oil |
| 3:5 | 302-60 | 1 | Fitting-Grease |
| 4 | 106-7159 | 1 | O-Ring |
| 5 | 104-3548 | 1 | Pulley-Driven, High |
| 6 | 120-5576 | 1 | Washer-Hardened |
| 7 | 3296-60 | 1 | Nut-Lock, NI |

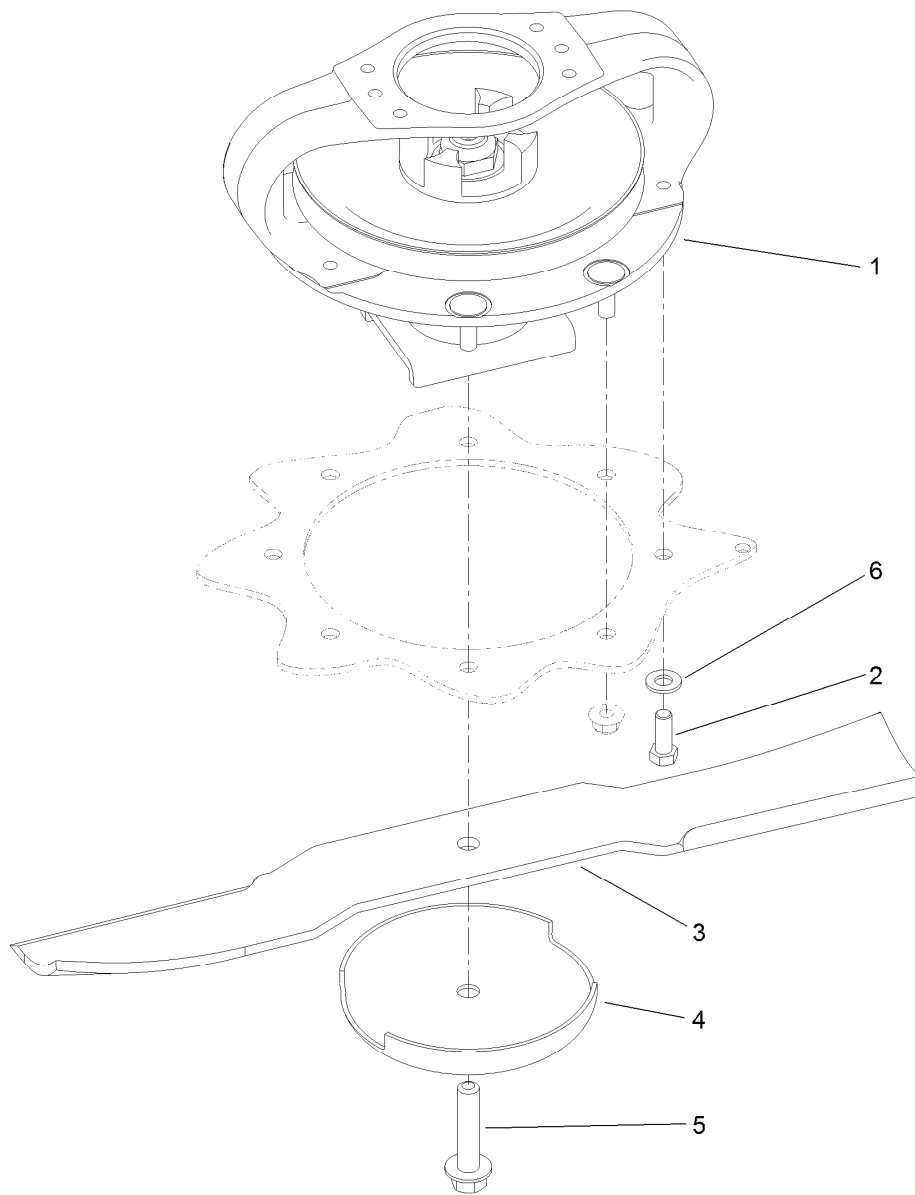
● Not serviced separately



Front Deck Caster Arm and Wheel Assembly

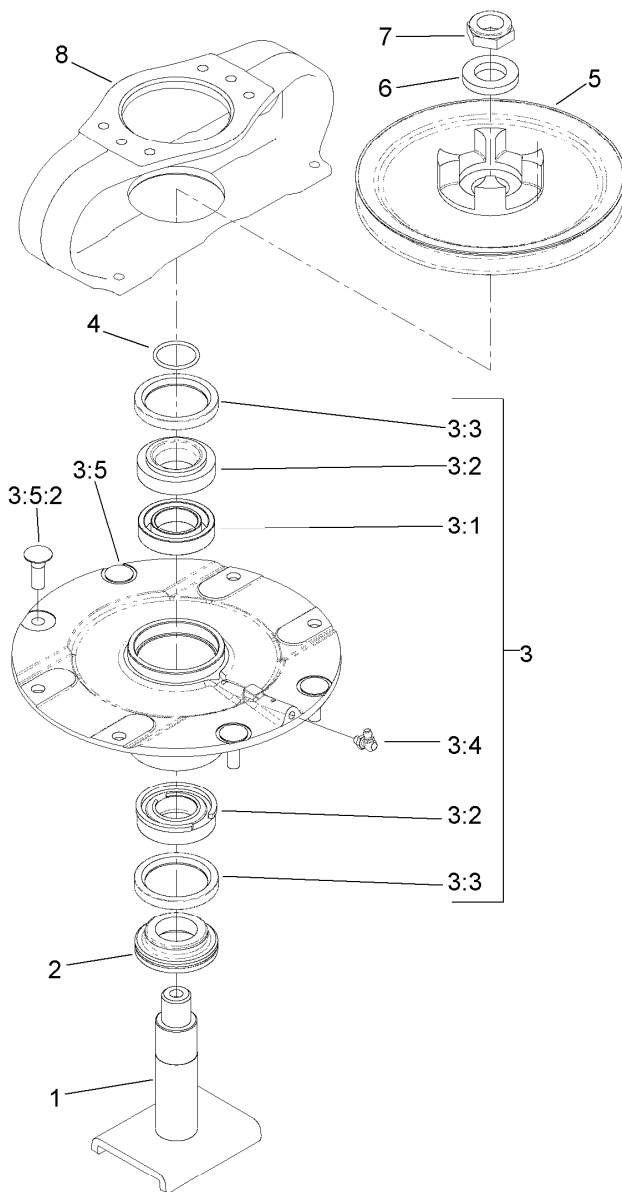
| Ref. | Part Number | Qty. | Description | Ref. | Part Number | Qty. | Description |
|------|-------------|------|--------------------------------|-------|-------------|------|-----------------------|
| 1 | 127-3730 | 1 | LH Castor Arm ASM | 10 | 93-9938 | 2 | Wheel ASM |
| 1:2 | 69-6470 | 2 | Bushing-Caster | 10:1 | 93-9939 | 1 | Tire |
| 1:3 | 302-5 | 1 | Fitting-Grease | 10:2 | 68-8950 | 1 | Tube-Inner (W/Valve) |
| 2 | 92-9727 | 2 | HOC Cap ASM | 10:3 | 93-4241 | 1 | Spacer-Bearing, Inner |
| 2:1 | 92-5581 | 1 | Ring-Retaining | 10:4 | 120-3366 | 2 | Bearing |
| 2:2 | 92-5583 | 1 | Washer-Cap | 10:6 | 32128-16 | 4 | Nut-HHF |
| 2:3 | 92-9726 | 1 | Spring-Compression | 10:7 | 93-4242 | 1 | Plate |
| 2:4 | 92-8861 | 1 | Cap-HOC | 10:8 | 93-4239 | 1 | Rim-Wheel, Half |
| 3 | 69-1510 | 10 | Spacer | 10:9 | 93-5980 | 1 | Hub |
| 4 | 69-6860 | 6 | Washer-Thrust | 10:10 | 95-2741 | 1 | Rim-Wheel, Half |
| 5 | 104-8301 | 10 | Nut-HF, NI | 11 | 3256-24 | 10 | Washer-Flat |
| 6 | 323-20 | 10 | Screw-HH | 12 | 127-3720 | 1 | RH Castor Arm ASM |
| 7 | 104-0762-01 | 2 | Fork-Castor | 12:2 | 69-6470 | 2 | Bushing-Caster |
| 8 | 327-24 | 2 | Screw-HH | 12:3 | 302-5 | 1 | Fitting-Grease |
| 9 | 3296-53 | 2 | Nut-Lock, NI | | | | |
| 10 | 93-5974 | 2 | 8 Inch Foam Filled Wheel ASM ● | | | | |

● Optional Equipment



Front Deck Driving Spindle Assembly

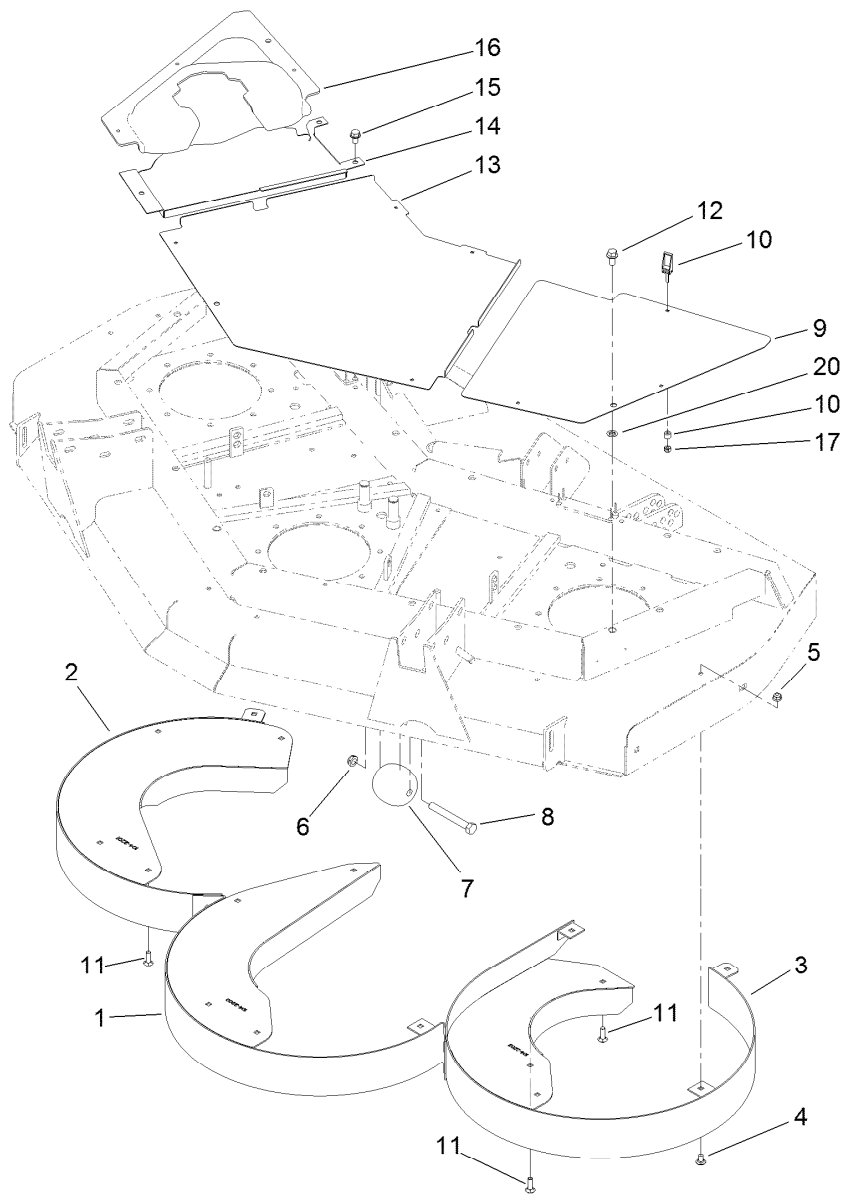
| <i>Ref.</i> | <i>Part Number</i> | <i>Qty.</i> | <i>Description</i> |
|-------------|--------------------|-------------|---------------------|
| 1 | 119-4547 | 1 | Driving Spindle ASM |
| 2 | 323-6 | 4 | Screw-HH |
| 3 | 92-5608-03 | 3 | Blade |
| 4 | 72-9361 | 3 | Cup-Scalp, Anti |
| 5 | 92-5816 | 3 | Bolt-Blade |
| 6 | 3256-24 | 4 | Washer-Flat |



Driving Spindle Assembly No. 119-4547

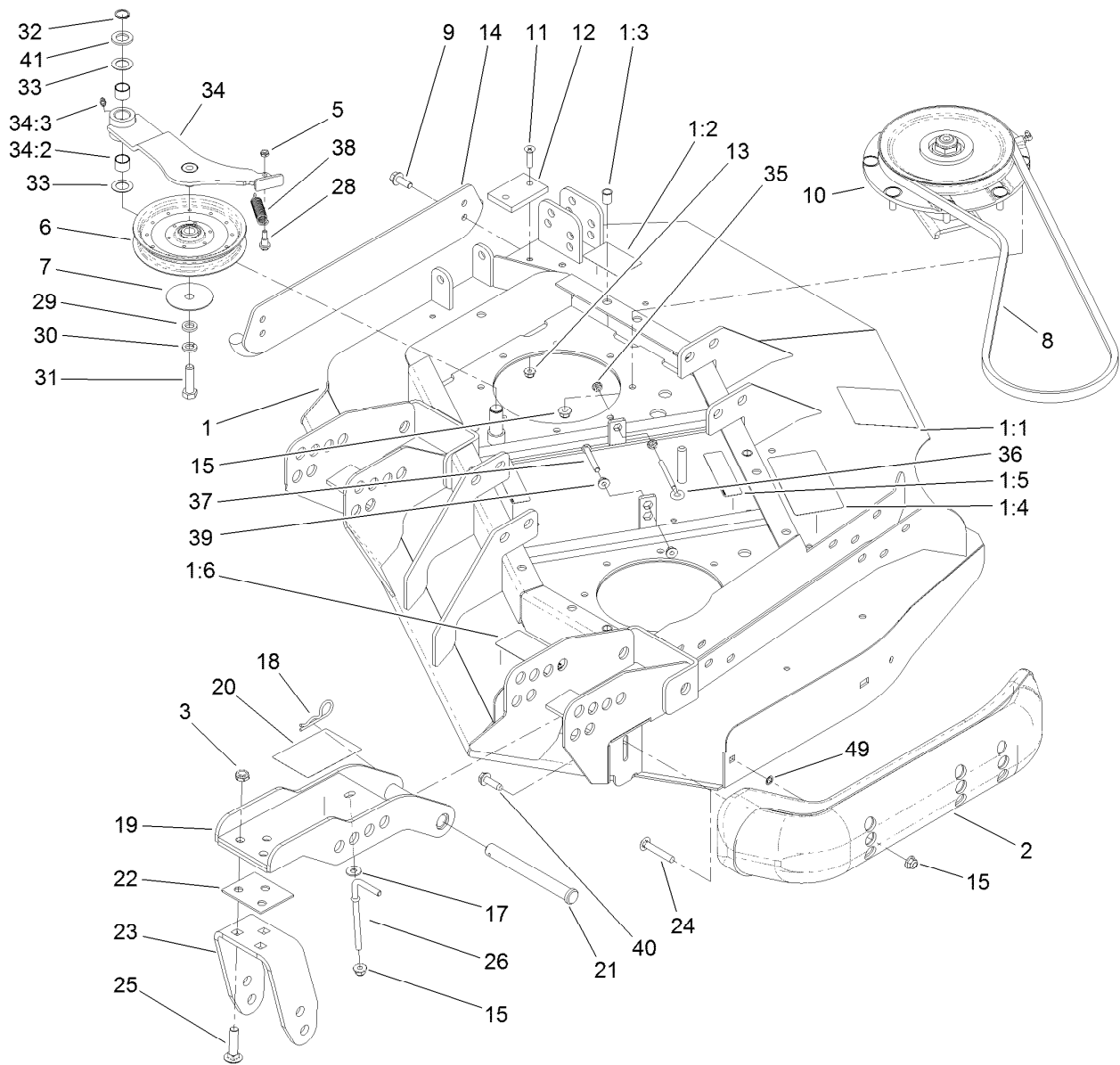
| Ref. | Part Number | Qty. | Description |
|-------|-------------|------|-----------------------|
| 1 | 104-3554 | 1 | Shaft-Spindle |
| 2 | 69-6950 | 1 | Spacer-Shaft, Spindle |
| 3 | 119-4546 | 1 | Spindle Housing ASM |
| 3:1 | 120-5577 | 1 | Bearing Spacer Set |
| 3:2 | 110-8297 | 1 | Bearing ASM |
| 3:3 | 253-154 | 2 | Seal-Oil |
| 3:4 | 302-60 | 1 | Fitting-Grease |
| 3:5 | | 1 | Spindle Assembly ● |
| 3:5:2 | 114-8195 | 4 | Bolt-Neck, Ribbed |
| 4 | 106-7159 | 1 | O-Ring |
| 5 | 104-3545 | 1 | Pulley-Driving |
| 6 | 120-5576 | 1 | Washer-Hardened |
| 7 | 3296-60 | 1 | Nut-Lock, NI |
| 8 | 104-3544 | 1 | Mount-Motor, Drive |

● Not serviced separately



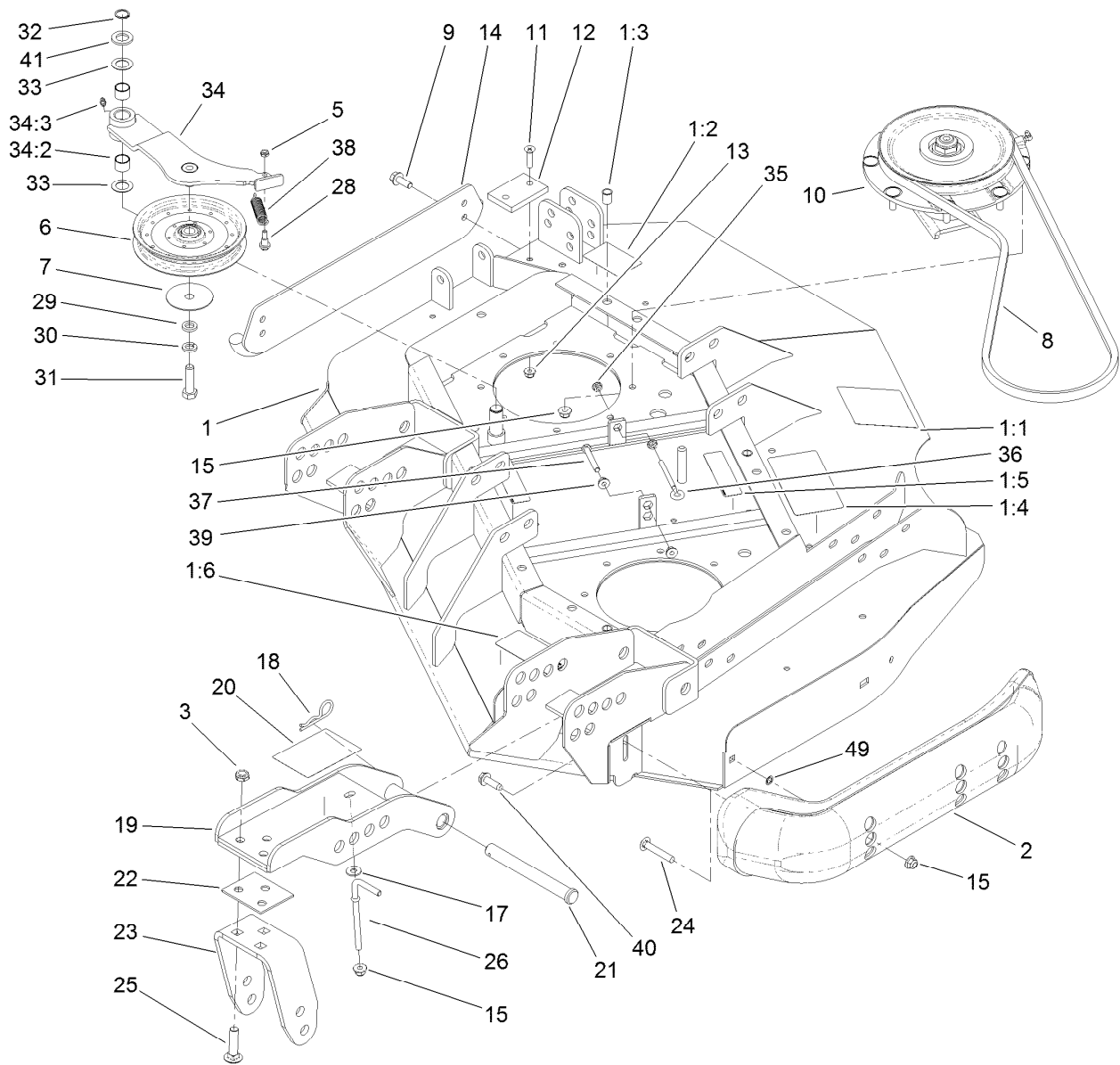
Front Deck Chamber and Cover Assembly

| <i>Ref.</i> | <i>Part Number</i> | <i>Qty.</i> | <i>Description</i> | <i>Ref.</i> | <i>Part Number</i> | <i>Qty.</i> | <i>Description</i> |
|-------------|--------------------|-------------|--------------------|-------------|--------------------|-------------|---------------------|
| 1 | 104-2200-01 | 1 | Chamber-Center | 10 | 74-5950 | 10 | Latch-Swell |
| 2 | 104-2201-01 | 1 | Chamber-RH | 11 | 3230-22 | 3 | Screw-CARR |
| 3 | 104-2202-01 | 1 | Chamber-LH | 12 | 3234-1 | 3 | Screw-HHF |
| 4 | 3230-18 | 15 | Screw-CARR | 13 | 100-5660-03 | 1 | Cover-Front, Center |
| 5 | 104-8300 | 18 | Nut-HF, NI | 14 | 100-5662-03 | 1 | Cover-Front, RH |
| 6 | 3296-45 | 2 | Nut-Hex | 15 | 32144-69 | 3 | Screw-HWHTF |
| 7 | 29-4820 | 2 | Roller | 16 | 100-5661 | 1 | Cover-Front, Center |
| 8 | 325-17 | 2 | Screw-HH | 17 | 1-804254 | 10 | Nut-Lock, HH |
| 9 | 100-5663-03 | 1 | Cover-Front, LH | 20 | 107-3154 | 3 | Nut-Push |



Left Deck Idler and Skid Assembly

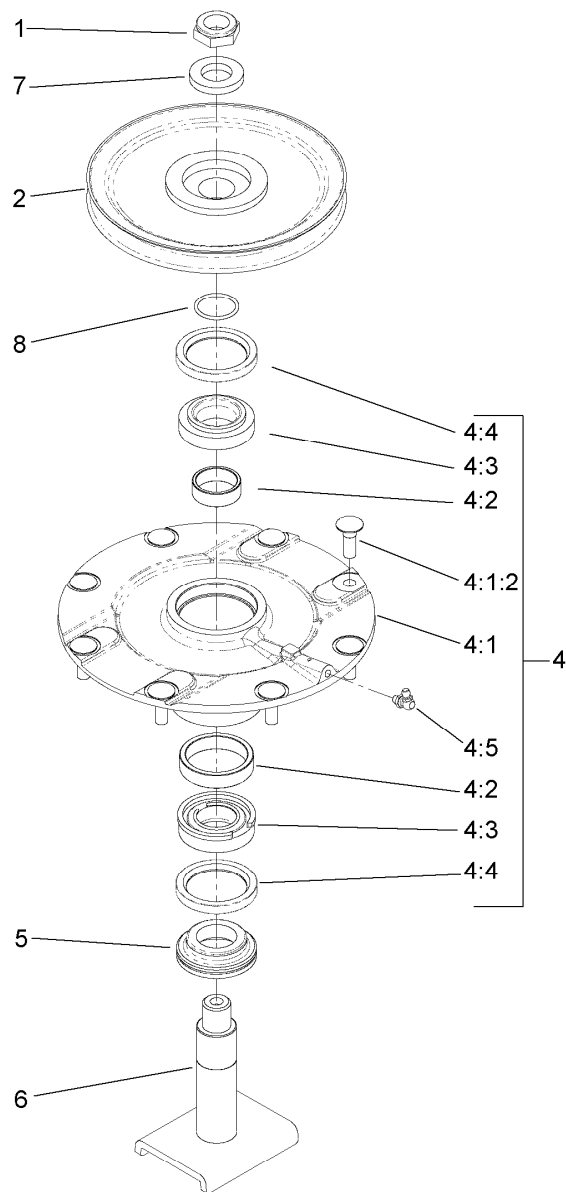
| Ref. | Part Number | Qty. | Description | Ref. | Part Number | Qty. | Description |
|------|-------------|------|--------------------------|------|-------------|------|-----------------|
| 1 | 120-4072 | 1 | Left Deck ASM | 18 | 3290-343 | 4 | Pin-Hair |
| 1:1 | 120-6604 | 1 | Decal-Danger | 19 | 104-7529-01 | 2 | Bracket-Castor |
| 1:2 | 100-5693 | 1 | Decal-Rear HOC, LH | 20 | 104-3579 | 1 | Decal-HOC |
| 1:3 | 32148-9 | 3 | Nut-Clinch | 21 | 100-5569 | 4 | Pin-Clevis |
| 1:4 | 100-5622 | 1 | Decal-HOC | 22 | 104-7524 | 8 | Shim |
| 1:5 | 100-6578 | 3 | Decal-Danger | 23 | 121-1720-01 | 2 | Bracket-Fork |
| 1:6 | 93-7818 | 1 | Decal-Torque, Blade Bolt | 24 | 3231-33 | 2 | Screw-CARR |
| 2 | 112-1479 | 1 | Skid-Bumper, Deck | 25 | 3233-4 | 6 | Screw-CARR |
| 3 | 3296-45 | 6 | Nut-Hex | 26 | 106-2047 | 2 | Rod-Tension |
| 5 | 3296-56 | 1 | Nut-Lock, NI | 28 | 104-0858 | 1 | Bolt-Shoulder |
| 6 | 110-9596 | 1 | Pulley-Idler | 29 | 9202424 | 1 | Spacer |
| 7 | 100-3102 | 1 | Washer-Flat | 30 | 3253-7 | 1 | Washer-Lock |
| 8 | 108-8076 | 1 | V-Belt, Deck | 31 | 325-7 | 1 | Screw-HH |
| 9 | 3234-42 | 2 | Screw-HHF | 32 | 32120-72 | 1 | Ring-Snap |
| 10 | 119-4776 | 1 | Low-Driven Spindle ASM | 33 | 3-6498 | 2 | Washer-Thrust |
| 11 | 32108-103 | 2 | Screw-FH | 34 | 110-6128 | 1 | Idler Arm ASM |
| 12 | 69-9290 | 1 | Pad-Bumper | 34:2 | 256-76 | 2 | Bushing |
| 13 | 104-8300 | 2 | Nut-HF, NI | 34:3 | 302-5 | 1 | Fitting-Grease |
| 14 | 104-2250-01 | 1 | Skid-Side | 35 | 32128-14 | 2 | Nut-HF |
| 15 | 104-8301 | 18 | Nut-HF, NI | 36 | 68-0090 | 1 | Screw-Adjusting |
| 17 | 3256-3 | 2 | Washer-Flat | 37 | 9114524 | 1 | Bolt-TAP, HH |



Left Deck Idler and Skid Assembly (continued)

| Ref. | Part Number | Qty. | Description |
|------|-------------|------|------------------|
| 38 | 107938 | 1 | Spring-Extension |
| 39 | 32128-26 | 2 | Nut-Flange |
| 40 | 9136144 | 1 | Screw-HWHTF |

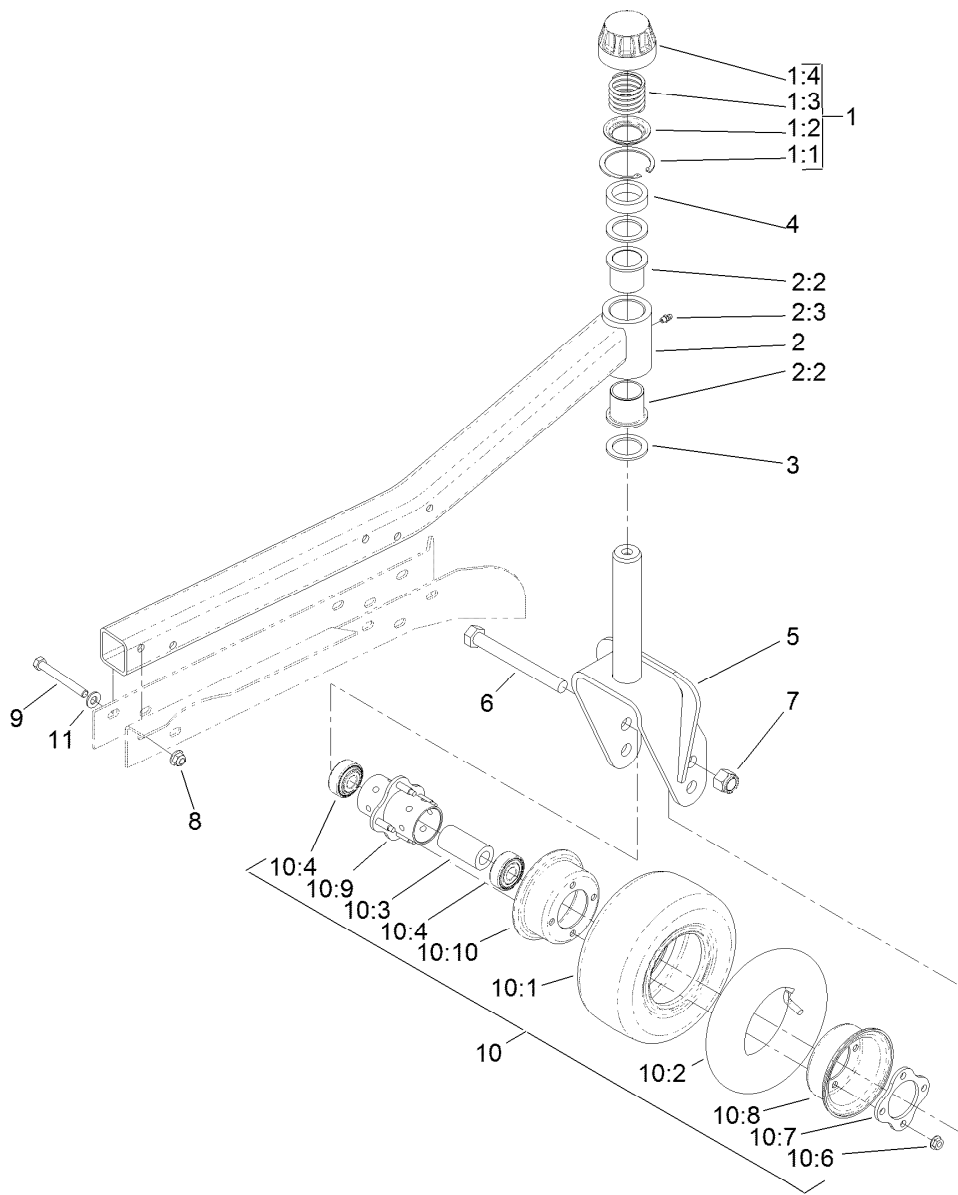
| Ref. | Part Number | Qty. | Description |
|------|-------------|------|----------------|
| 41 | 70-1160 | 1 | Washer |
| 49 | 32151-72 | 2 | Ring-Retaining |



Low Driven Spindle Assembly No. 119-4776

| <i>Ref.</i> | <i>Part Number</i> | <i>Qty.</i> | <i>Description</i> |
|-------------|--------------------|-------------|-----------------------|
| 1 | 3296-60 | 1 | Nut-Lock, NI |
| 2 | 104-3546 | 1 | Pulley-Driven, Low |
| 4 | 119-4775 | 1 | Spindle Housing ASM |
| 4:1 | | 1 | Spindle ASM ● |
| 4:1:2 | 114-8195 | 8 | Bolt-Neck, Ribbed |
| 4:2 | 120-5577 | 1 | Bearing Spacer Set |
| 4:3 | 110-8297 | 1 | Bearing ASM |
| 4:4 | 253-154 | 2 | Seal-Oil |
| 4:5 | 302-60 | 1 | Fitting-Grease |
| 5 | 69-6950 | 1 | Spacer-Shaft, Spindle |
| 6 | 104-3554 | 1 | Shaft-Spindle |
| 7 | 120-5576 | 1 | Washer-Hardened |
| 8 | 106-7159 | 1 | O-Ring |

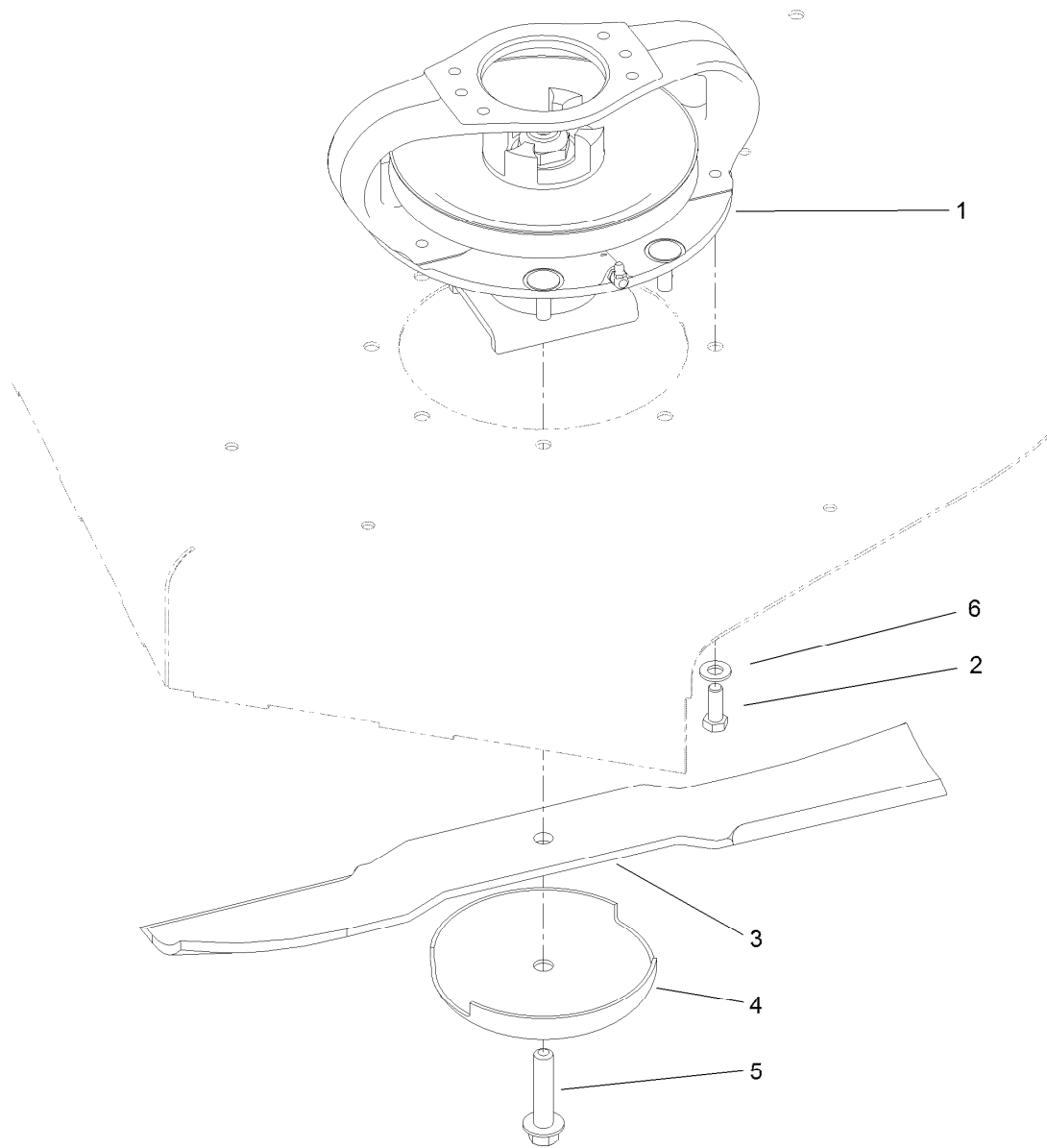
● Not serviced separately



Right Hand and Left Hand Castor Arm and Wheel Assembly

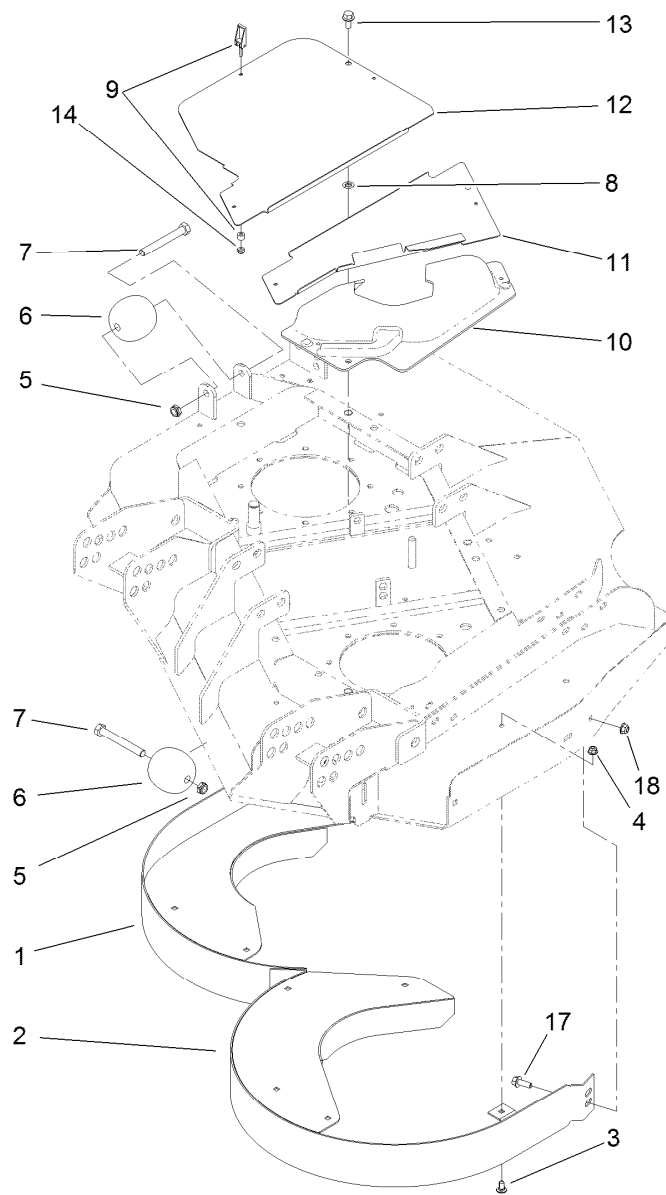
| Ref. | Part Number | Qty. | Description | Ref. | Part Number | Qty. | Description |
|------|-------------|------|--------------------|-------|-------------|------|--------------------------------|
| 1 | 92-9727 | 1 | HOC Cap ASM | 9 | 323-20 | 5 | Screw-HH |
| 1:1 | 92-5581 | 1 | Ring-Retaining | 10 | 93-5974 | 3 | 8 Inch Foam Filled Wheel ASM ● |
| 1:2 | 92-5583 | 1 | Washer-Cap | 10 | 93-9938 | 3 | Wheel ASM |
| 1:3 | 92-9726 | 1 | Spring-Compression | 10:1 | 93-9939 | 1 | Tire |
| 1:4 | 92-8861 | 1 | Cap-HOC | 10:2 | 68-8950 | 1 | Tube-Inner (W/Valve) |
| 2 | 127-3740 | 1 | Castor Arm ASM | 10:3 | 93-4241 | 1 | Spacer-Bearing, Inner |
| 2:2 | 69-6470 | 2 | Bushing-Caster | 10:4 | 120-3366 | 2 | Bearing |
| 2:3 | 302-5 | 1 | Fitting-Grease | 10:6 | 32128-16 | 4 | Nut-HHF |
| 3 | 69-6860 | 3 | Washer-Thrust | 10:7 | 93-4242 | 1 | Plate |
| 4 | 69-1510 | 5 | Spacer | 10:8 | 93-4239 | 1 | Rim-Wheel, Half |
| 5 | 104-0762-01 | 1 | Fork-Castor | 10:9 | 93-5980 | 1 | Hub |
| 6 | 327-24 | 3 | Screw-HH | 10:10 | 95-2741 | 1 | Rim-Wheel, Half |
| 7 | 3296-53 | 3 | Nut-Lock, NI | 11 | 3256-24 | 5 | Washer-Flat |
| 8 | 104-8301 | 5 | Nut-HF, NI | | | | |

● Optional Equipment



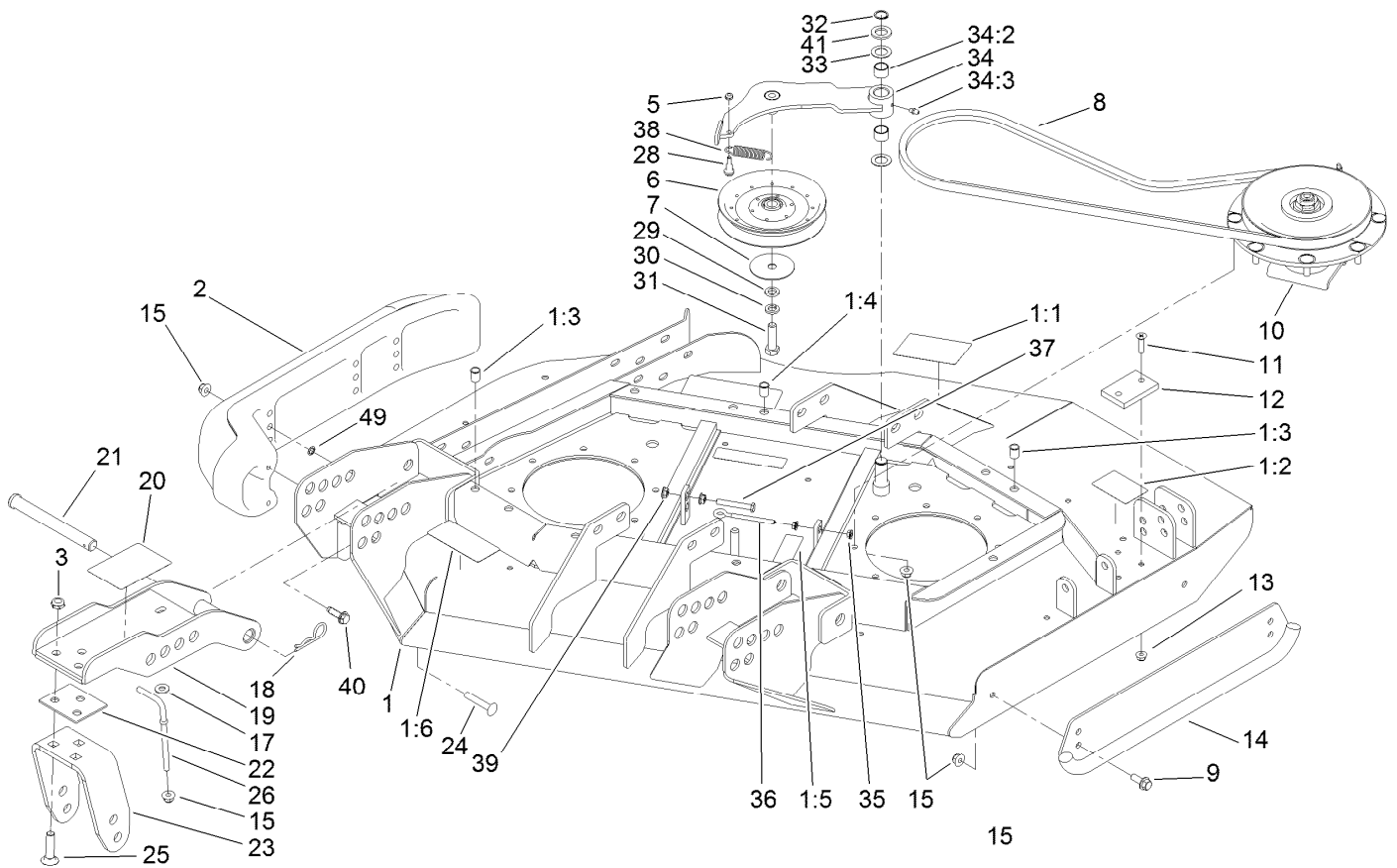
LH and RH Deck Driving Spindle Assembly

| <i>Ref.</i> | <i>Part Number</i> | <i>Qty.</i> | <i>Description</i> |
|-------------|--------------------|-------------|---------------------|
| 1 | 119-4547 | 1 | Driving Spindle ASM |
| 2 | 323-6 | 4 | Screw-HH |
| 3 | 92-5608-03 | 2 | Blade |
| 4 | 72-9361 | 2 | Cup-Scalp, Anti |
| 5 | 92-5816 | 2 | Bolt-Blade |
| 6 | 3256-24 | 4 | Washer-Flat |



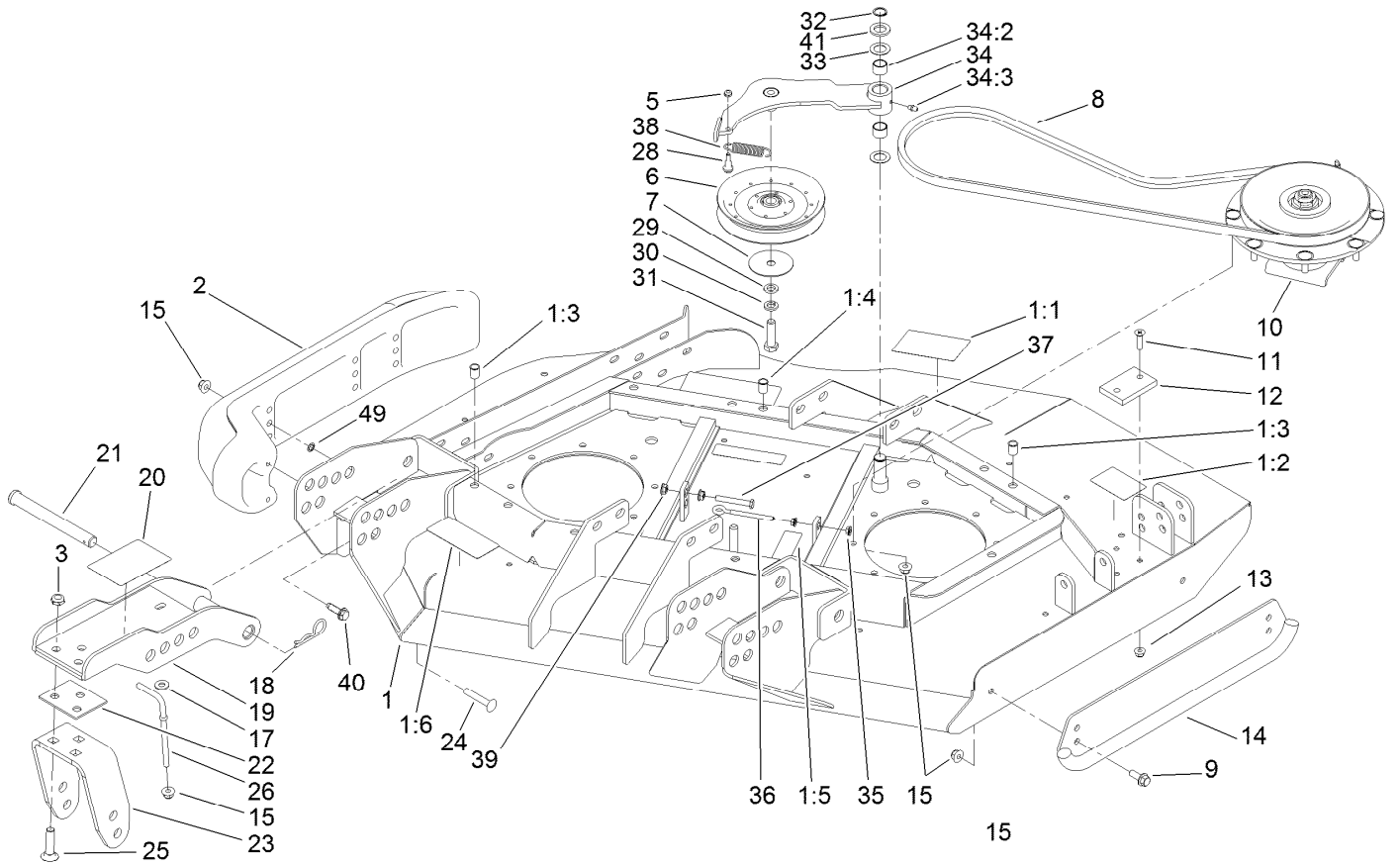
Left Deck Discharge Chamber and Cover Assembly

| <i>Ref.</i> | <i>Part Number</i> | <i>Qty.</i> | <i>Description</i> | <i>Ref.</i> | <i>Part Number</i> | <i>Qty.</i> | <i>Description</i> |
|-------------|--------------------|-------------|--------------------|-------------|--------------------|-------------|----------------------|
| 1 | 104-2205-01 | 1 | Chamber-Inner | 9 | 74-5950 | 7 | Latch-Swell |
| 2 | 120-4132-01 | 1 | Chamber-Outer | 10 | 100-5669 | 1 | Cover-Motor, LH Deck |
| 3 | 3230-18 | 9 | Screw-CARR | 11 | 100-5664-03 | 1 | Plate-Cover, LH |
| 4 | 104-8300 | 9 | Nut-HF, NI | 12 | 100-5667-03 | 1 | Plate-Cover, LH Side |
| 5 | 3296-45 | 2 | Nut-Hex | 13 | 3234-1 | 3 | Screw-HHF |
| 6 | 29-4820 | 2 | Roller | 14 | 1-804254 | 7 | Nut-Lock, HH |
| 7 | 325-17 | 2 | Screw-HH | 17 | 3234-42 | 1 | Screw-HHF |
| 8 | 107-3154 | 3 | Nut-Push | 18 | 104-8301 | 1 | Nut-HF, NI |



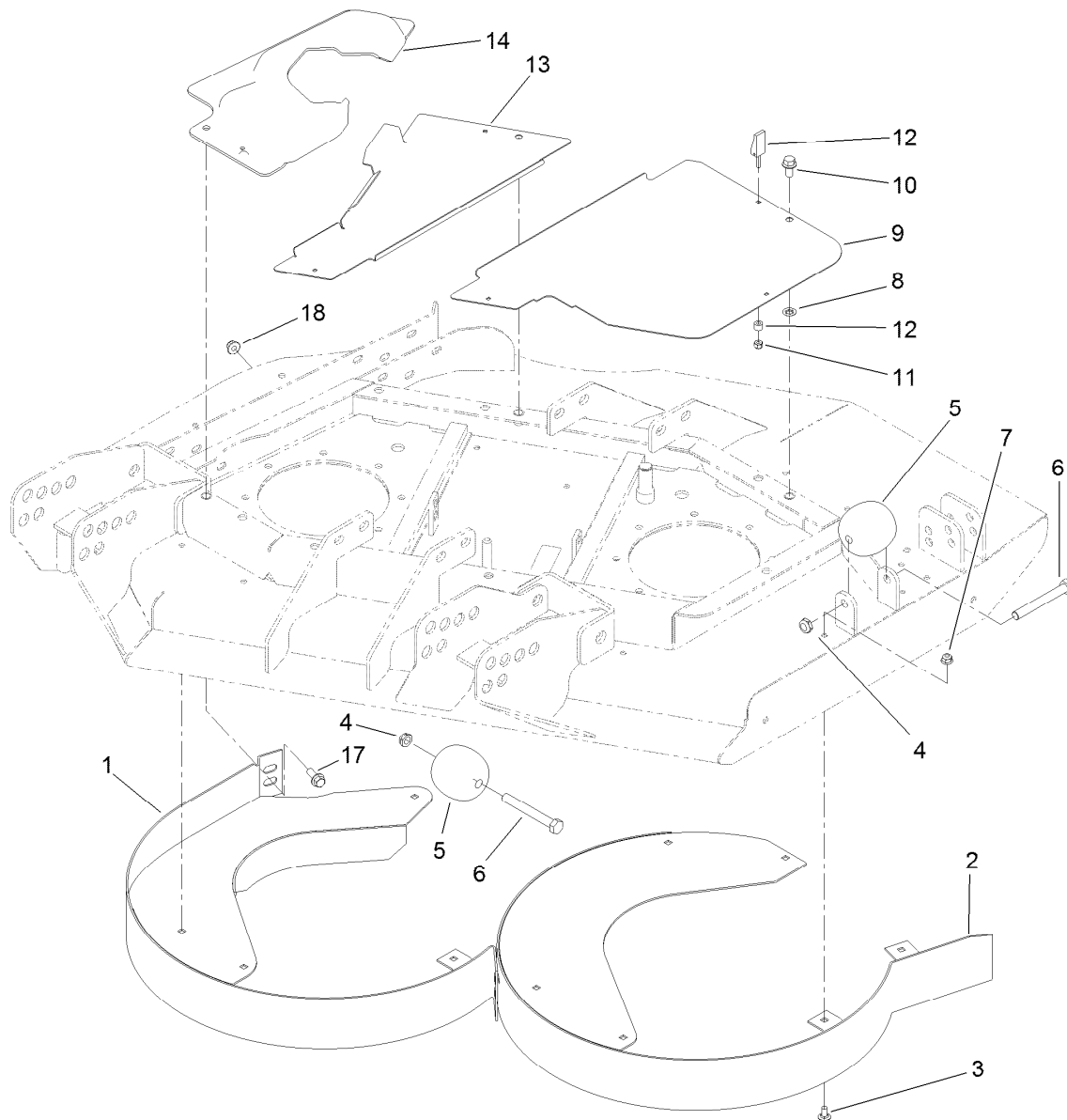
Right Deck, Idler and Skid Assembly

| Ref. | Part Number | Qty. | Description | Ref. | Part Number | Qty. | Description |
|------|-------------|------|--------------------------|------|-------------|------|-----------------|
| 1 | 120-4062 | 1 | Right Deck ASM | 18 | 3290-343 | 4 | Pin-Hair |
| 1:1 | 120-6604 | 1 | Decal-Danger | 19 | 104-7529-01 | 2 | Bracket-Castor |
| 1:2 | 100-5694 | 1 | Decal-Rear HOC, RH | 20 | 100-5623 | 1 | Decal-HOC |
| 1:3 | 32148-9 | 3 | Nut-Clinch | 21 | 100-5569 | 4 | Pin-Clevis |
| 1:4 | 100-5622 | 1 | Decal-HOC | 22 | 104-7524 | 8 | Shim |
| 1:5 | 100-6578 | 3 | Decal-Danger | 23 | 121-1720-01 | 2 | Bracket-Fork |
| 1:6 | 93-7818 | 1 | Decal-Torque, Blade Bolt | 24 | 3231-33 | 2 | Screw-CARR |
| 2 | 112-1479 | 1 | Skid-Bumper, Deck | 25 | 3233-4 | 6 | Screw-CARR |
| 3 | 3296-45 | 6 | Nut-Hex | 26 | 106-2047 | 2 | Rod-Tension |
| 5 | 3296-56 | 1 | Nut-Lock, NI | 28 | 104-0858 | 1 | Bolt-Shoulder |
| 6 | 110-9596 | 1 | Pulley-Idler | 29 | 9202424 | 1 | Spacer |
| 7 | 100-3102 | 1 | Washer-Flat | 30 | 3253-7 | 1 | Washer-Lock |
| 8 | 108-8076 | 1 | V-Belt, Deck | 31 | 325-7 | 1 | Screw-HH |
| 9 | 3234-42 | 2 | Screw-HHF | 32 | 32120-72 | 1 | Ring-Snap |
| 10 | 119-4776 | 1 | Low-Driven Spindle ASM | 33 | 3-6498 | 2 | Washer-Thrust |
| 11 | 32108-103 | 2 | Screw-FH | 34 | 110-6128 | 1 | Idler Arm ASM |
| 12 | 69-9290 | 1 | Pad-Bumper | 34:2 | 256-76 | 2 | Bushing |
| 13 | 104-8300 | 2 | Nut-HF, NI | 34:3 | 302-5 | 1 | Fitting-Grease |
| 14 | 104-2250-01 | 1 | Skid-Side | 35 | 32128-14 | 2 | Nut-HF |
| 15 | 104-8301 | 18 | Nut-HF, NI | 36 | 68-0090 | 1 | Screw-Adjusting |
| 17 | 3256-3 | 2 | Washer-Flat | 37 | 9114524 | 1 | Bolt-TAP, HH |



Right Deck, Idler and Skid Assembly (continued)

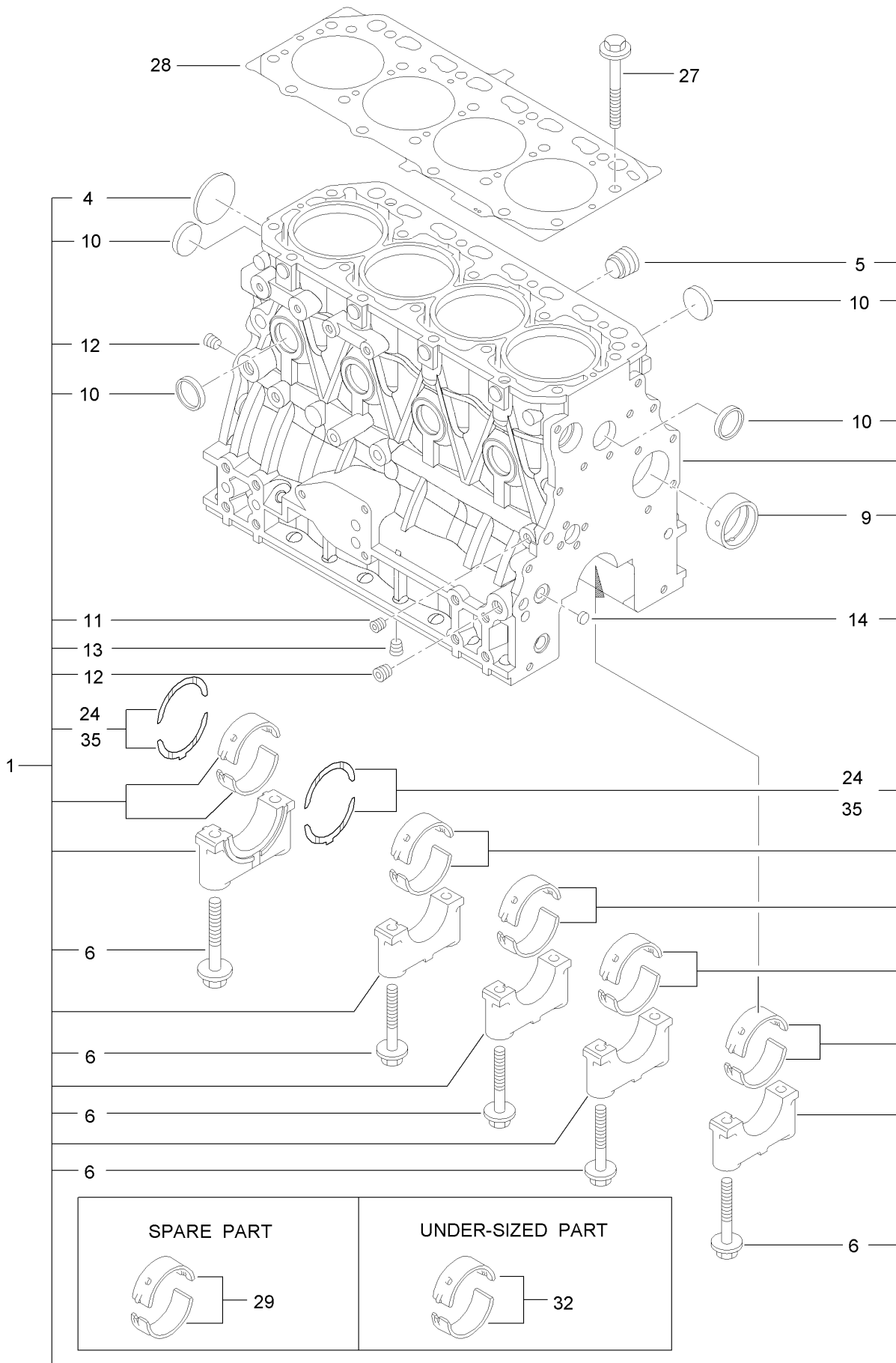
| <i>Ref.</i> | <i>Part Number</i> | <i>Qty.</i> | <i>Description</i> | <i>Ref.</i> | <i>Part Number</i> | <i>Qty.</i> | <i>Description</i> |
|-------------|--------------------|-------------|--------------------|-------------|--------------------|-------------|--------------------|
| 38 | 107938 | 1 | Spring-Extension | 41 | 70-1160 | 1 | Washer |
| 39 | 32128-26 | 2 | Nut-Flange | 49 | 32151-72 | 2 | Ring-Retaining |
| 40 | 9136144 | 1 | Screw-HWHTF | | | | |



Right Deck Discharge Chamber and Cover Assembly

| <i>Ref.</i> | <i>Part Number</i> | <i>Qty.</i> | <i>Description</i> | <i>Ref.</i> | <i>Part Number</i> | <i>Qty.</i> | <i>Description</i> |
|-------------|--------------------|-------------|--------------------|-------------|--------------------|-------------|----------------------|
| 1 | 120-4131-01 | 1 | Chamber-Outer | 9 | 100-5668-03 | 1 | Plate-Cover, RH Side |
| 2 | 104-2204-01 | 1 | Chamber-Inner | 10 | 3234-1 | 3 | Screw-HHF |
| 3 | 3230-18 | 11 | Screw-CARR | 11 | 1-804254 | 7 | Nut-Lock, HH |
| 4 | 3296-45 | 2 | Nut-Hex | 12 | 74-5950 | 7 | Latch-Swell |
| 5 | 29-4820 | 2 | Roller | 13 | 100-5665-03 | 1 | Plate-Cover, RH |
| 6 | 325-17 | 2 | Screw-HH | 14 | 100-5666 | 1 | Cover-Motor, RH Deck |
| 7 | 104-8300 | 11 | Nut-HF, NI | 17 | 3234-42 | 1 | Screw-HHF |
| 8 | 107-3154 | 3 | Nut-Push | 18 | 104-8301 | 1 | Nut-HF, NI |

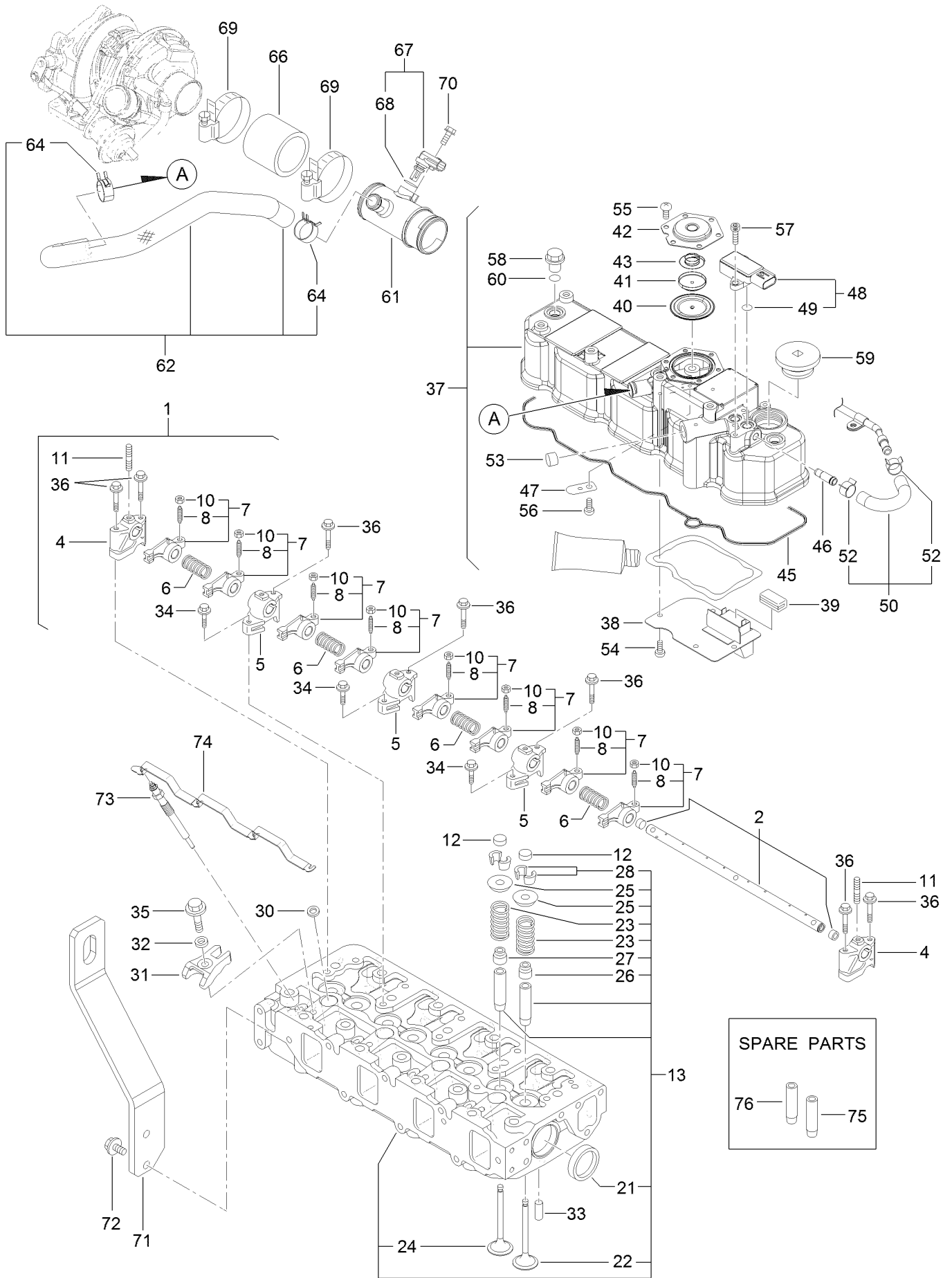
Cylinder Block Assembly



Cylinder Block Assembly (continued)

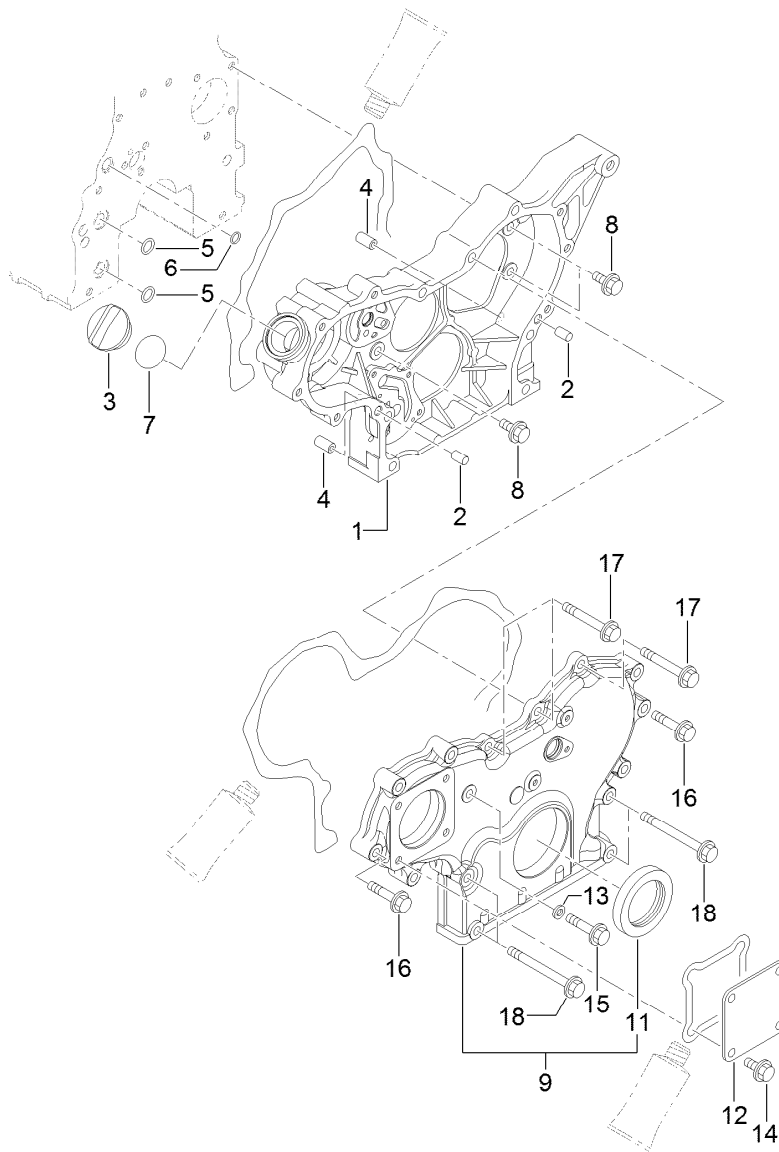
| <i>Ref.</i> | <i>Part Number</i> | <i>Qty.</i> | <i>Description</i> | <i>Ref.</i> | <i>Part Number</i> | <i>Qty.</i> | <i>Description</i> |
|-------------|--------------------|-------------|--------------------|-------------|--------------------|-------------|-----------------------|
| 1 | 127-3127 | 1 | Cylinder Block ASM | 13 | 125-6973 | 1 | Plug |
| 4 | 125-6980 | 1 | Plug | 14 | 125-7237 | 1 | Plug |
| 5 | 125-7170 | 1 | Plug | 24 | 125-7010 | 2 | Metal-Thrust |
| 6 | 125-7007 | 10 | Bolt | 27 | 125-7006 | 18 | Bolt |
| 9 | 125-7108 | 1 | Bushing | 28 | 127-3126 | 1 | Gasket-Head, Cylinder |
| 10 | 125-7239 | 8 | Plug | 29 | 125-6981 | 5 | Metal-Main |
| 11 | 125-6969 | 1 | Plug | 32 | 125-7009 | 5 | Metal-Main (0.25) |
| 12 | 125-6973 | 2 | Plug | 35 | 125-7011 | 1 | Metal-Thrust (0.25) |

Cylinder Head and Cover Assembly



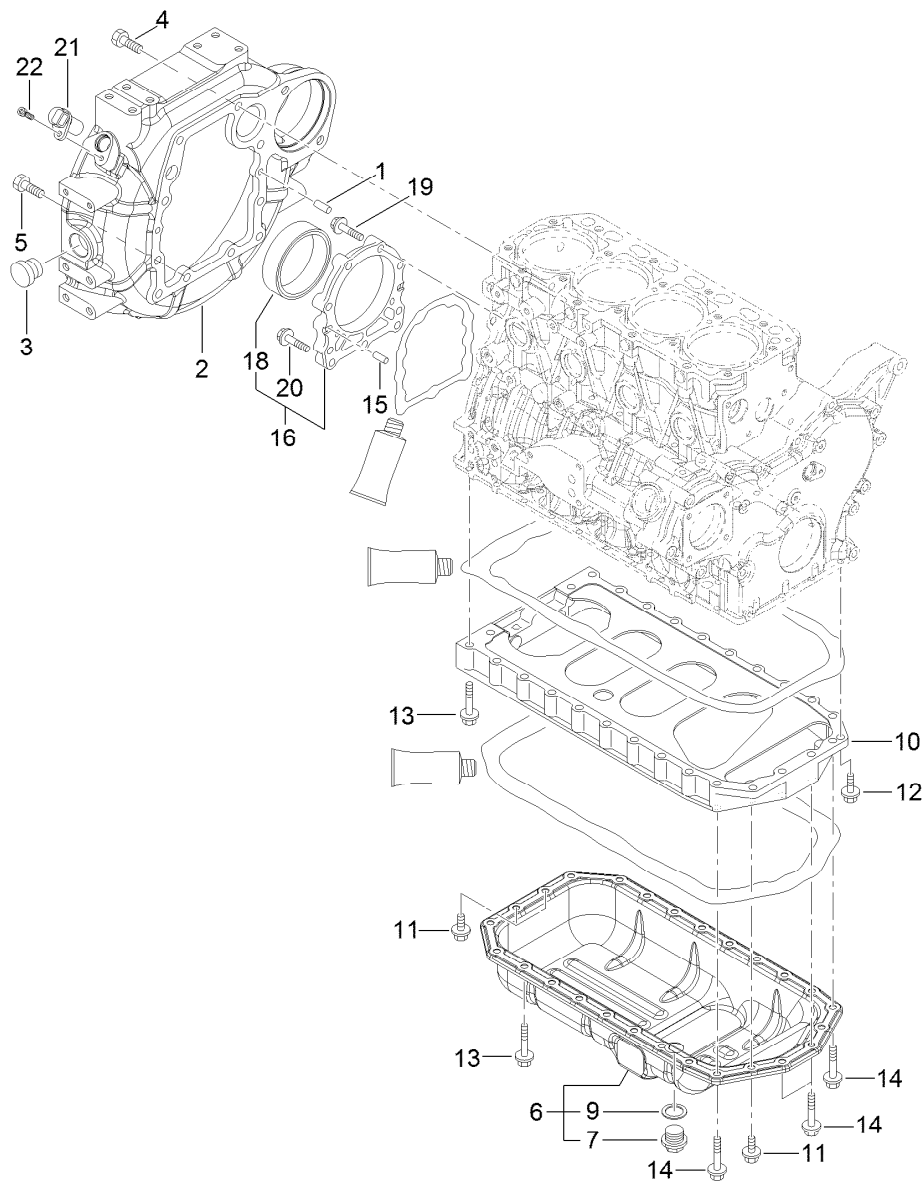
Cylinder Head and Cover Assembly (continued)

| <i>Ref.</i> | <i>Part Number</i> | <i>Qty.</i> | <i>Description</i> | <i>Ref.</i> | <i>Part Number</i> | <i>Qty.</i> | <i>Description</i> |
|-------------|--------------------|-------------|-------------------------|-------------|--------------------|-------------|-------------------------|
| 1 | 127-3005 | 1 | Shaft ASM | 42 | 125-6961 | 1 | Plate-Breather |
| 2 | 127-3006 | 1 | Shaft | 43 | 125-6962 | 1 | Spring-Diaphragm |
| 4 | 127-2974 | 2 | Support | 45 | 127-3106 | 1 | Gasket-Cover |
| 5 | 127-2975 | 3 | Support | 46 | 127-3026 | 1 | Joint |
| 6 | 127-2995 | 4 | Spring | 47 | 125-6994 | 1 | Spring |
| 7 | 127-2989 | 8 | Arm-Rocker | 48 | 127-3029 | 1 | Sensor-Pressure |
| 8 | 125-7013 | 8 | Screw-Adjust, Valve | 49 | 127-3032 | 2 | O Ring-Sensor, Pressure |
| 10 | 125-7014 | 8 | Nut | 50 | 127-3040 | 1 | Hose ASM |
| 11 | 127-3183 | 3 | Stud | 52 | 127-3041 | 2 | Clip-Hose |
| 12 | 127-2996 | 8 | Cap-Valve | 53 | 125-6913 | 1 | Plug |
| 13 | 127-3132 | 1 | Cylinder Head ASM | 54 | 125-7186 | 4 | Screw |
| 21 | 125-7240 | 2 | Plug | 55 | 125-7186 | 6 | Screw |
| 22 | 127-2990 | 4 | Valve | 56 | 125-7186 | 1 | Screw |
| 23 | 127-3012 | 8 | Spring | 57 | 127-3184 | 2 | Bolt |
| 24 | 127-2994 | 4 | Valve | 58 | 125-6974 | 3 | Knob |
| 25 | 127-3013 | 8 | Retainer-Spring | 59 | 127-2978 | 1 | Plug |
| 26 | 127-2986 | 4 | Seal-Stem, Valve | 60 | 93-0418 | 3 | O-Ring |
| 27 | 127-3027 | 4 | Seal-Stem, Valve | 61 | 127-3128 | 1 | Joint-Breather |
| 28 | 127-3186 | 8 | Pin-Cotter | 62 | 127-3129 | 1 | Breather Hose ASM |
| 30 | 127-3021 | 4 | Gasket-Injector | 64 | 125-7040 | 2 | Clip-Hose |
| 31 | 127-3028 | 4 | Retainer-Injector | 66 | 127-3133 | 1 | Hose-Intake |
| 32 | 127-2980 | 4 | Washer-Injector | 67 | 127-3030 | 1 | Sensor-Temp, Air |
| 33 | 125-7184 | 2 | Pin-Spring | 68 | 127-3033 | 1 | O-Ring |
| 34 | 125-7215 | 3 | Bolt | 69 | 125-7190 | 2 | Clamp-Hose |
| 35 | 125-7217 | 4 | Bolt | 70 | 125-7208 | 1 | Bolt |
| 36 | 125-7220 | 7 | Bolt | 71 | 127-3130 | 1 | Lifter-Engine |
| 37 | 127-3131 | 1 | Cylinder Head Cover ASM | 72 | 125-7214 | 2 | Bolt |
| 38 | 127-2988 | 1 | Plate | 73 | 127-2991 | 4 | Plug-Glow |
| 39 | 125-7012 | 1 | Baffle | 74 | 127-3123 | 1 | Connector-Glow Plug |
| 40 | 125-6959 | 1 | Diaphragm | 75 | 127-2979 | 4 | Guide |
| 41 | 125-6960 | 1 | Plate | 76 | 127-2997 | 4 | Guide-Valve |



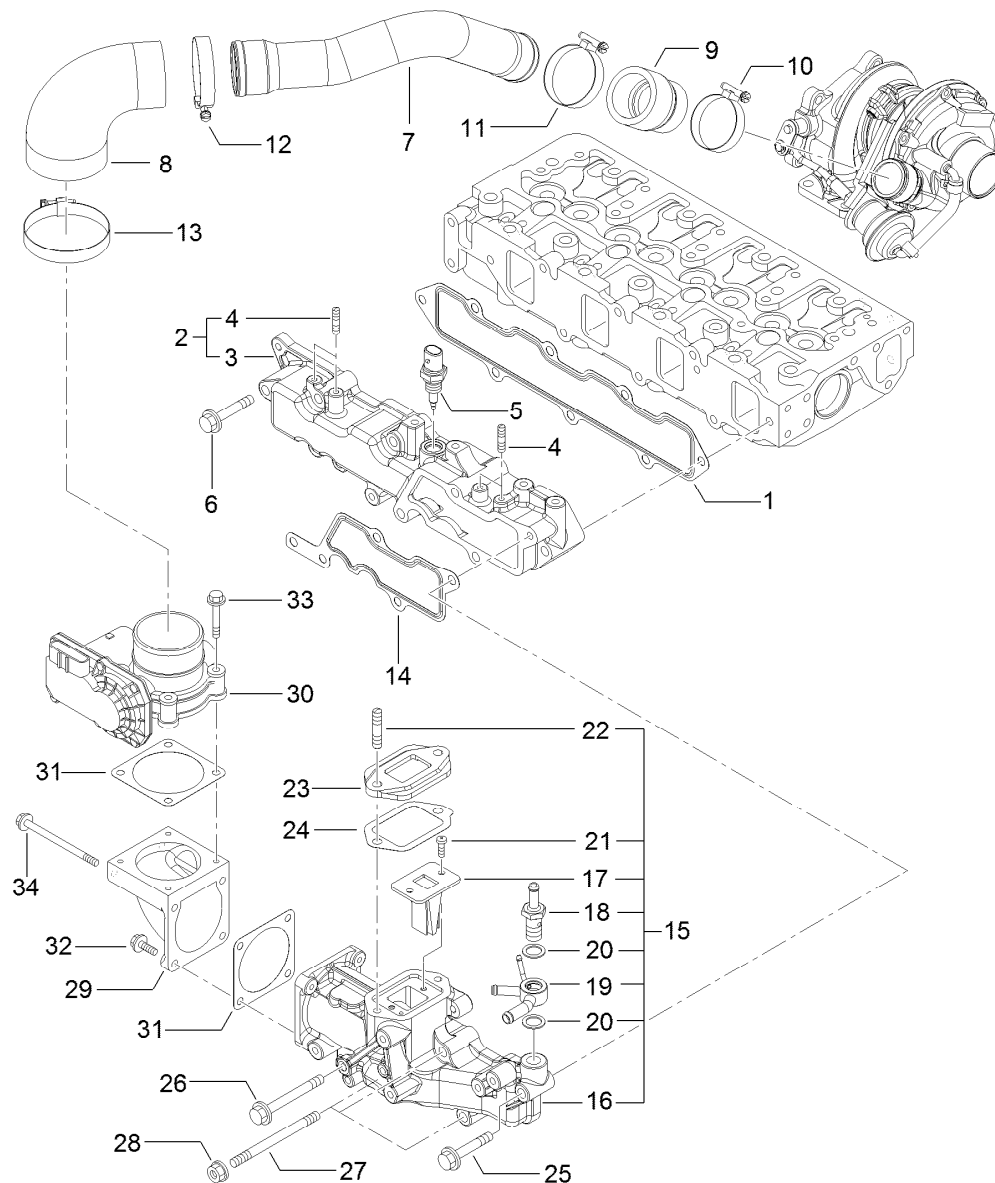
Gear Housing Assembly

| <i>Ref.</i> | <i>Part Number</i> | <i>Qty.</i> | <i>Description</i> | <i>Ref.</i> | <i>Part Number</i> | <i>Qty.</i> | <i>Description</i> |
|-------------|--------------------|-------------|--------------------|-------------|--------------------|-------------|--------------------|
| 1 | 127-3023 | 1 | Case-Gear | 11 | 125-6944 | 1 | Seal-Oil |
| 2 | 125-6995 | 2 | Pin | 12 | 125-6977 | 1 | Cover |
| 3 | 125-6972 | 1 | Cover-Filler | 13 | 125-7174 | 1 | Washer-Seal |
| 4 | 125-7107 | 2 | Pipe | 14 | 125-7214 | 4 | Bolt |
| 5 | 125-6909 | 2 | O-Ring | 15 | 125-7217 | 1 | Bolt |
| 6 | 127-2973 | 1 | O-Ring | 16 | 125-7218 | 7 | Bolt |
| 7 | 125-7197 | 1 | O-Ring | 17 | 125-7222 | 3 | Bolt |
| 8 | 125-7214 | 3 | Bolt | 18 | 125-7224 | 4 | Bolt |
| 9 | 127-3024 | 1 | Gearcase Cover ASM | | | | |



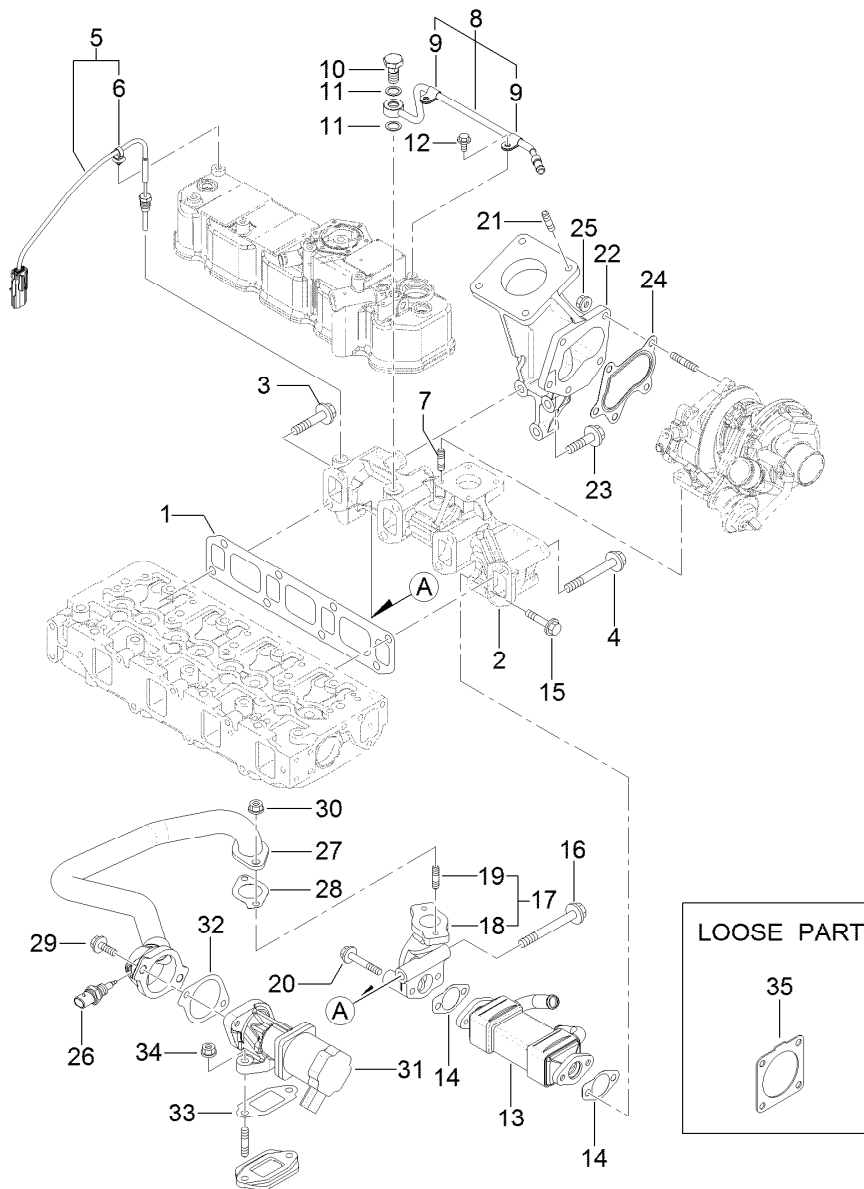
Flywheel Housing and Oil Sump Assembly

| <i>Ref.</i> | <i>Part Number</i> | <i>Qty.</i> | <i>Description</i> | <i>Ref.</i> | <i>Part Number</i> | <i>Qty.</i> | <i>Description</i> |
|-------------|--------------------|-------------|--------------------|-------------|--------------------|-------------|----------------------|
| 1 | 125-6995 | 2 | Pin | 12 | 125-7215 | 2 | Bolt |
| 2 | 127-3025 | 1 | Housing-Flywheel | 13 | 125-7219 | 20 | Bolt |
| 3 | 125-6910 | 1 | Cap | 14 | 125-7220 | 4 | Bolt |
| 4 | 125-7226 | 6 | Bolt | 15 | 125-6995 | 2 | Pin |
| 5 | 125-7227 | 4 | Bolt | 16 | 125-6996 | 1 | Case ASM |
| 6 | 125-7241 | 1 | Oil Sump ASM | 18 | 125-7106 | 1 | Seal-Oil |
| 7 | 125-6912 | 1 | Plug-Drain | 19 | 125-7045 | 6 | Bolt |
| 9 | 125-7177 | 1 | Washer-Seal | 20 | 125-7217 | 3 | Bolt |
| 10 | 125-7035 | 1 | Spacer | 21 | 127-3062 | 1 | Sensor-Rev, Flywheel |
| 11 | 125-7214 | 4 | Bolt | 22 | 127-3184 | 1 | Bolt |



Suction Manifold Assembly

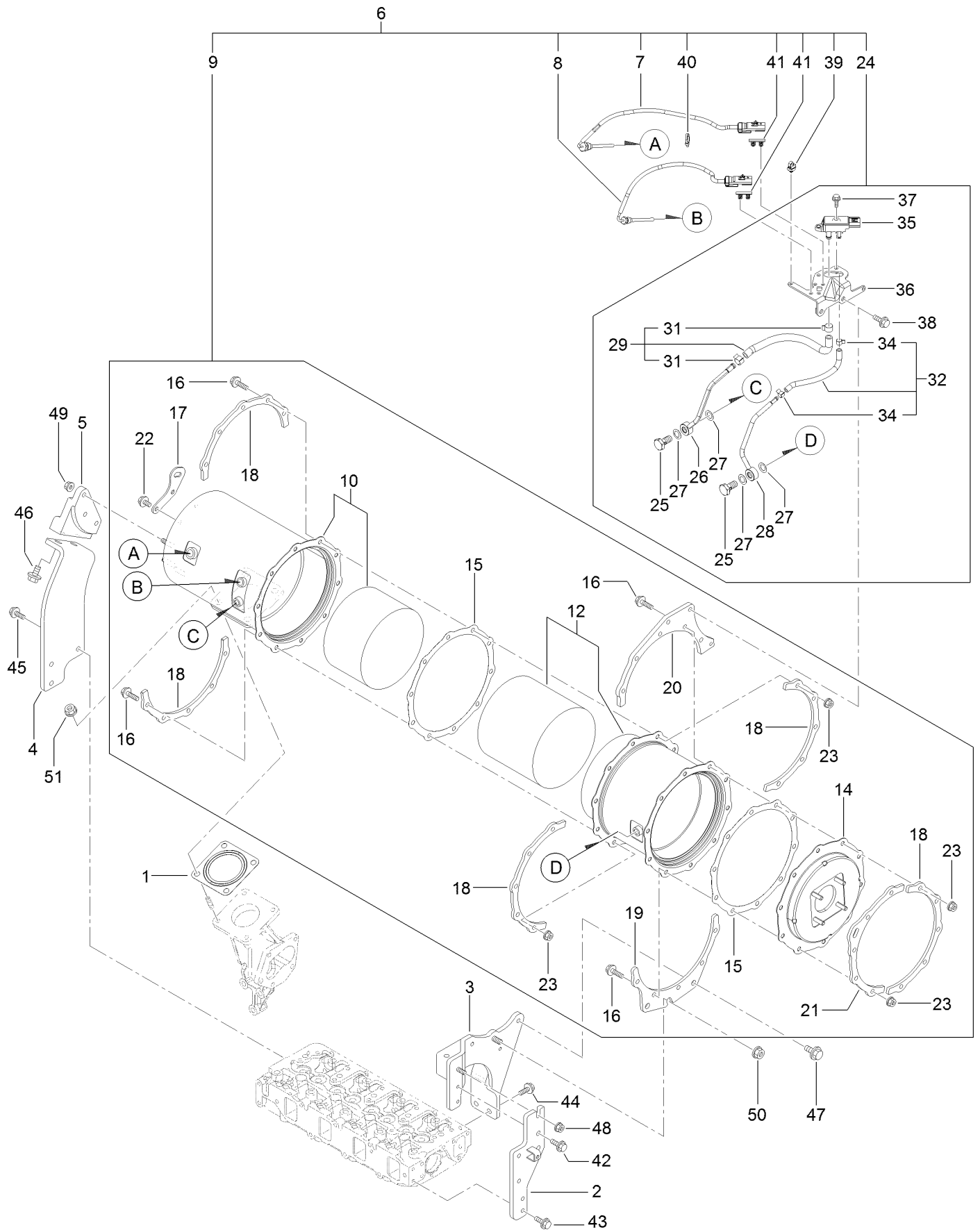
| Ref. | Part Number | Qty. | Description | Ref. | Part Number | Qty. | Description |
|------|-------------|------|-------------------------|------|-------------|------|---------------------|
| 1 | 127-3107 | 1 | Gasket-Manifold, Intake | 18 | 127-3080 | 1 | Joint-Hose |
| 2 | 127-3135 | 1 | Intake Manifold ASM | 19 | 127-3081 | 1 | Joint-Hose |
| 3 | 127-3134 | 1 | Manifold-Intake | 20 | 127-3166 | 2 | Washer-Seal |
| 4 | 127-3180 | 4 | Stud | 21 | 127-3168 | 2 | Screw |
| 5 | 127-3031 | 1 | Sensor-Temp, Air | 22 | 127-3181 | 2 | Stud |
| 6 | 125-7220 | 5 | Bolt | 23 | 127-3045 | 1 | Spacer-Valve, E G R |
| 7 | 127-3152 | 1 | Duct-Suction | 24 | 127-3046 | 1 | Gasket-E G R |
| 8 | 127-3096 | 1 | Joint-Rubber | 25 | 125-7220 | 1 | Bolt |
| 9 | 127-3153 | 1 | Joint-Rubber | 26 | 127-3178 | 1 | Bolt |
| 10 | 125-7189 | 1 | Clamp-Hose | 27 | 127-3182 | 3 | Stud |
| 11 | 127-3170 | 1 | Clamp-Hose | 28 | 125-7229 | 3 | Nut |
| 12 | 125-7190 | 1 | Clamp-Hose | 29 | 127-3035 | 1 | Bend-Inlet |
| 13 | 127-3171 | 1 | Clamp-Hose | 30 | 127-3036 | 1 | Body-Throttle |
| 14 | 127-3034 | 1 | Gasket-Collector | 31 | 127-3037 | 2 | Gasket-Throttle |
| 15 | 127-3093 | 1 | Intake Collector ASM | 32 | 125-7209 | 2 | Bolt |
| 16 | 127-3092 | 1 | Collector-Intake | 33 | 125-7211 | 4 | Bolt |
| 17 | 127-3139 | 1 | Valve-Reed | 34 | 127-3177 | 2 | Bolt |



Exhaust Manifold Assembly

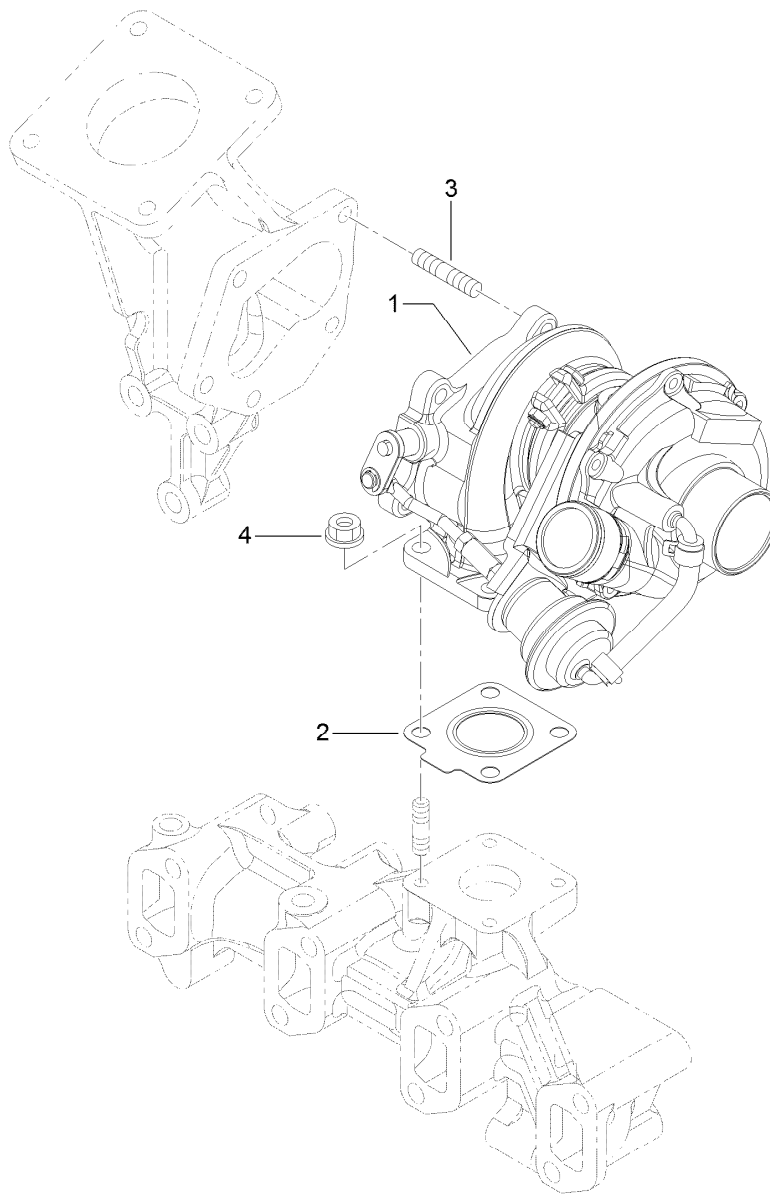
| Ref. | Part Number | Qty. | Description | Ref. | Part Number | Qty. | Description |
|------|-------------|------|--------------------------|------|-------------|------|----------------------------|
| 1 | 127-3108 | 1 | Gasket-Manifold, Exhaust | 19 | 125-7043 | 2 | Stud |
| 2 | 127-3136 | 1 | Manifold-Exhaust | 20 | 125-7220 | 2 | Bolt |
| 3 | 127-3094 | 1 | Bolt | 21 | 127-2984 | 4 | Stud |
| 4 | 127-3044 | 7 | Bolt-M10 | 22 | 127-3137 | 1 | Pipe-Exhaust |
| 5 | 127-3140 | 1 | Sensor-Temp, Exhaust | 23 | 127-3138 | 3 | Bolt-Flange |
| 6 | 127-3087 | 1 | Band-Clip | 24 | 125-7071 | 1 | Gasket |
| 7 | 125-7043 | 4 | Stud | 25 | 125-7229 | 5 | Nut |
| 8 | 127-3038 | 1 | Exhaust Pipe ASM | 26 | 127-3047 | 1 | Sensor-Gas Temp, E G R |
| 9 | 127-3173 | 2 | Clamp | 27 | 127-3109 | 1 | E G R Pipe ASM |
| 10 | 127-3039 | 1 | Bolt-Joint, Pipe | 28 | 127-3016 | 1 | Gasket |
| 11 | 127-3174 | 2 | Gasket | 29 | 125-7215 | 2 | Bolt |
| 12 | 125-7206 | 2 | Bolt | 30 | 125-7229 | 2 | Nut |
| 13 | 127-3042 | 1 | Cooler-E G R | 31 | 127-3110 | 1 | Valve-E G R |
| 14 | 127-3043 | 2 | Gasket-Cooler, E G R | 32 | 127-3050 | 1 | Gasket-Intake Valve, E G R |
| 15 | 127-2976 | 2 | Bolt | 33 | 127-3051 | 1 | Gasket-Out Valve, E G R |
| 16 | 127-3022 | 1 | Bolt-Flange | 34 | 125-7229 | 2 | Nut |
| 17 | 127-3048 | 1 | E G R Pipe ASM | 35 | 127-3019 | 1 | Gasket |
| 18 | 127-3049 | 1 | Pipe-Out, E G R | | | | |

Diesel Particulate Filter Assembly



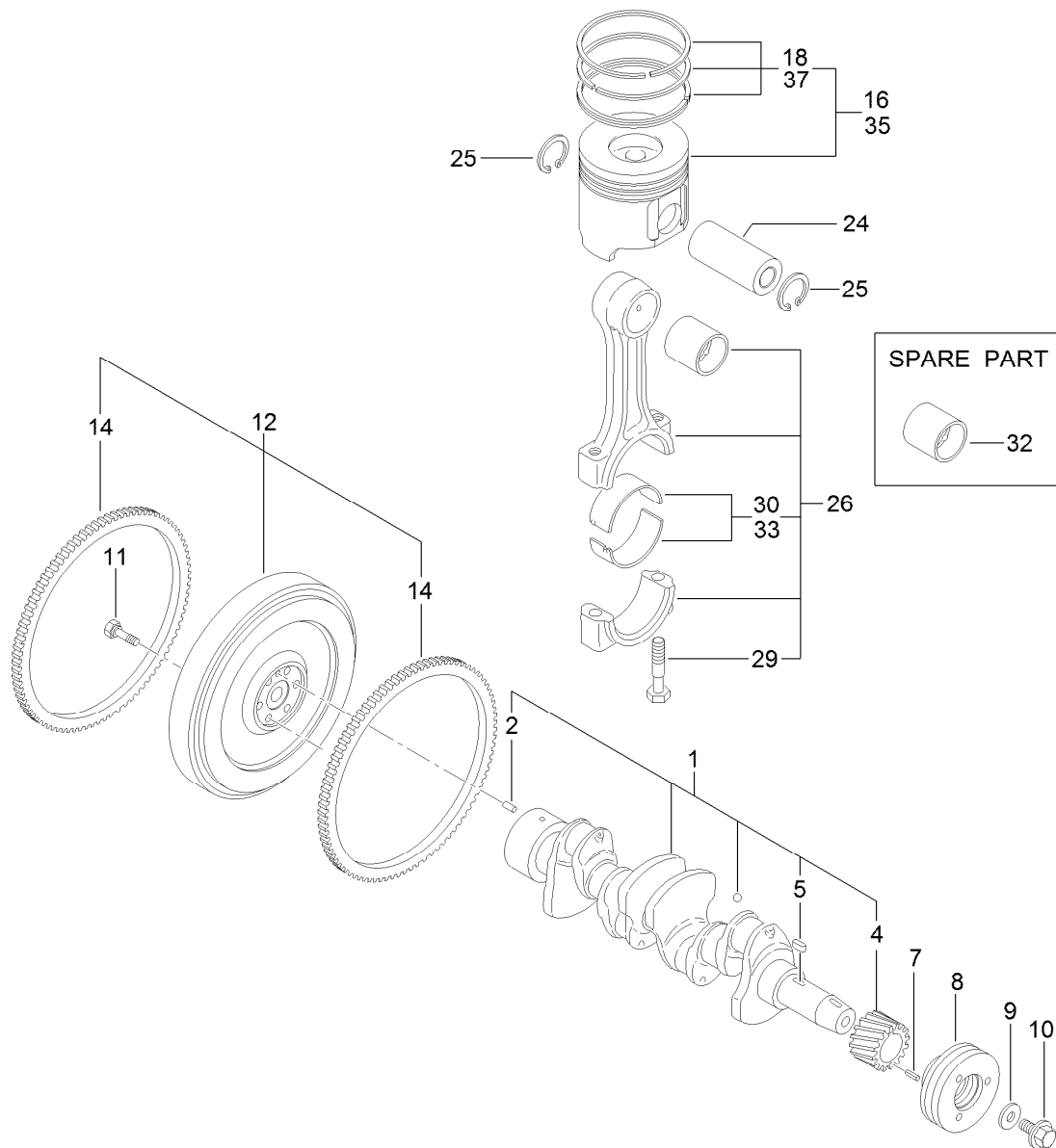
Diesel Particulate Filter Assembly (continued)

| <i>Ref.</i> | <i>Part Number</i> | <i>Qty.</i> | <i>Description</i> | <i>Ref.</i> | <i>Part Number</i> | <i>Qty.</i> | <i>Description</i> |
|-------------|--------------------|-------------|---------------------------|-------------|--------------------|-------------|------------------------------|
| 1 | 127-2987 | 1 | Gasket-Silencer | 27 | 127-3056 | 4 | Gasket-Sensor |
| 2 | 127-3095 | 1 | Stay-D P F | 28 | 127-3165 | 1 | Exhaust Pressure Pipe ASM |
| 3 | 127-3148 | 1 | Stay- D P F | 29 | 127-3114 | 1 | Exhaust Hose ASM |
| 4 | 127-3149 | 1 | Stay-D P F | 31 | 127-3057 | 2 | Clip-Hose |
| 5 | 127-3150 | 1 | Stay-D P F | 32 | 127-3059 | 1 | Exhaust Pressure Hose ASM |
| 6 | 127-3159 | 1 | D P F Unit | 34 | 127-3058 | 2 | Clip-Hose |
| 7 | 127-3111 | 1 | Sensor-Temp, Exhaust | 35 | 127-3060 | 1 | Sensor-Pressure |
| 8 | 127-3112 | 1 | Sensor-Temp, Exhaust | 36 | 127-3061 | 1 | Bracket-Sensor, Pressure |
| 9 | 127-3157 | 1 | D P F ASM | 37 | 125-7208 | 2 | Bolt |
| 10 | 127-3141 | 1 | Case-Doc | 38 | 125-7595 | 2 | Bolt |
| 12 | 127-3142 | 1 | Case-Filter, Soot | 39 | 127-3087 | 1 | Band-Clip |
| 14 | 127-3143 | 1 | Flange-Outlet | 40 | 127-3124 | 1 | Band |
| 15 | 127-3162 | 2 | Gasket-D P F | 41 | 127-3088 | 2 | Clip-Connector |
| 16 | 127-3055 | 20 | Bolt | 42 | 125-7595 | 2 | Bolt |
| 17 | 127-3144 | 1 | Lifter-D P F | 43 | 125-7595 | 2 | Bolt |
| 18 | 127-3145 | 5 | Stiffener-D P F, A | 44 | 125-7595 | 2 | Bolt |
| 19 | 127-3146 | 1 | Stiffener-D P F, B | 45 | 125-7595 | 3 | Bolt |
| 20 | 127-3158 | 1 | Stiffener-D P F, D | 46 | 127-3179 | 2 | Bolt |
| 21 | 127-3147 | 1 | Stiffener-D P F, C | 47 | 127-3179 | 2 | Bolt |
| 22 | 125-7213 | 2 | Bolt | 48 | 125-7229 | 1 | Nut |
| 23 | 125-7229 | 20 | Nut | 49 | 125-7229 | 3 | Nut |
| 24 | 127-3163 | 1 | Pressure Sensor Unit | 50 | 125-7230 | 1 | Nut |
| 25 | 127-3039 | 2 | Bolt-Joint, Pipe | 51 | 125-7230 | 4 | Nut |
| 26 | 127-3164 | 1 | Exhaust Pressure Pipe ASM | | | | |



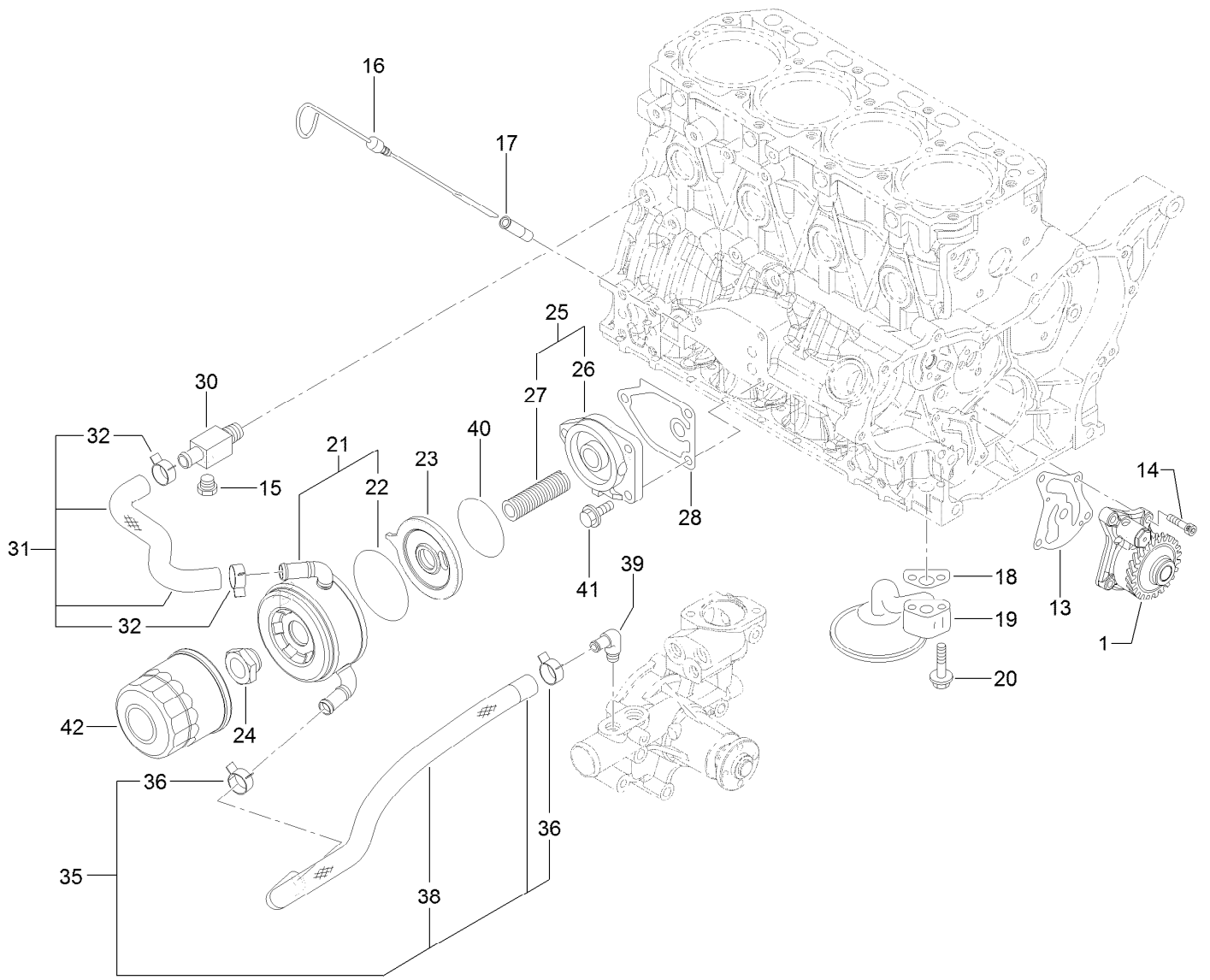
Turbine Assembly

| <i>Ref.</i> | <i>Part Number</i> | <i>Qty.</i> | <i>Description</i> |
|-------------|--------------------|-------------|--------------------|
| 1 | 127-3151 | 1 | Turbine ASM |
| 2 | 125-7070 | 1 | Gasket |
| 3 | 125-6906 | 5 | Stud |
| 4 | 125-7229 | 4 | Nut |



Crankshaft and Piston Assembly

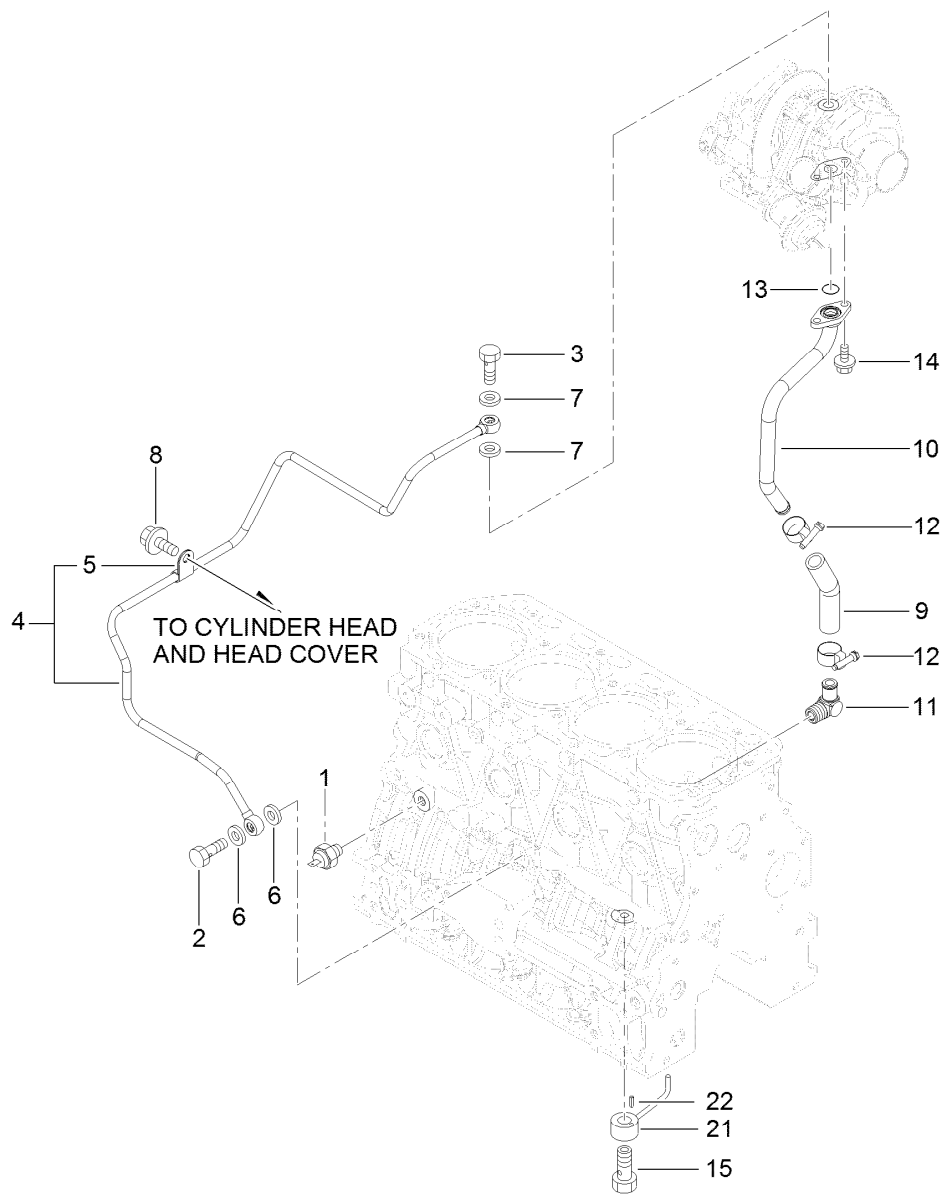
| <i>Ref.</i> | <i>Part Number</i> | <i>Qty.</i> | <i>Description</i> | <i>Ref.</i> | <i>Part Number</i> | <i>Qty.</i> | <i>Description</i> |
|-------------|--------------------|-------------|--------------------|-------------|--------------------|-------------|-----------------------------|
| 1 | 125-7091 | 1 | Crankshaft ASM | 16 | 127-3097 | 4 | Piston ASM |
| 2 | 125-6995 | 1 | Pin | 18 | 127-3098 | 4 | Piston Ring ASM |
| 4 | 125-6937 | 1 | Gear | 24 | 125-7030 | 4 | Pin |
| 5 | 125-7185 | 1 | Key | 25 | 125-7180 | 8 | Ring |
| 7 | 125-7182 | 1 | Pin-Spring | 26 | 125-7242 | 4 | Connecting Rod ASM |
| 8 | 125-6925 | 1 | V-Pulley | 29 | 125-6955 | 8 | Bolt |
| 9 | 125-7109 | 1 | Washer | 30 | 125-7018 | 4 | Pin-Crank |
| 10 | 125-6956 | 1 | Bolt | 32 | 125-6997 | 4 | Pin-Piston |
| 11 | 125-6951 | 6 | Bolt | 33 | 125-7019 | 4 | Pin-Crank (.25) |
| 12 | 127-3160 | 1 | Flywheel ASM | 35 | 127-3099 | 4 | Piston ASM (0.25 O.S.) |
| 14 | 125-6943 | 1 | Gear | 37 | 127-3100 | 4 | Piston Ring ASM (0.25 O.S.) |



Lubrication and Oil System Assembly

| Ref. | Part Number | Qty. | Description |
|------|-------------|------|-------------------|
| 1 | 127-3101 | 1 | Oil Lube Pump ASM |
| 13 | 127-3004 | 1 | Gasket |
| 14 | 125-7232 | 4 | Bolt |
| 15 | 125-7171 | 1 | Plug-Drain |
| 16 | 125-6987 | 1 | Dipstick |
| 17 | 125-6954 | 1 | Guide-Dipstick |
| 18 | 125-7022 | 1 | Gasket |
| 19 | 125-7023 | 1 | Pipe ASM |
| 20 | 125-7217 | 2 | Bolt |
| 21 | 127-3014 | 1 | Cooler ASM |
| 22 | 127-2985 | 1 | O-Ring |
| 23 | 127-3015 | 1 | Bracket-Cooler |
| 24 | 125-7041 | 1 | Nut-Cooler, Oil |
| 25 | 127-3009 | 1 | Bracket ASM |

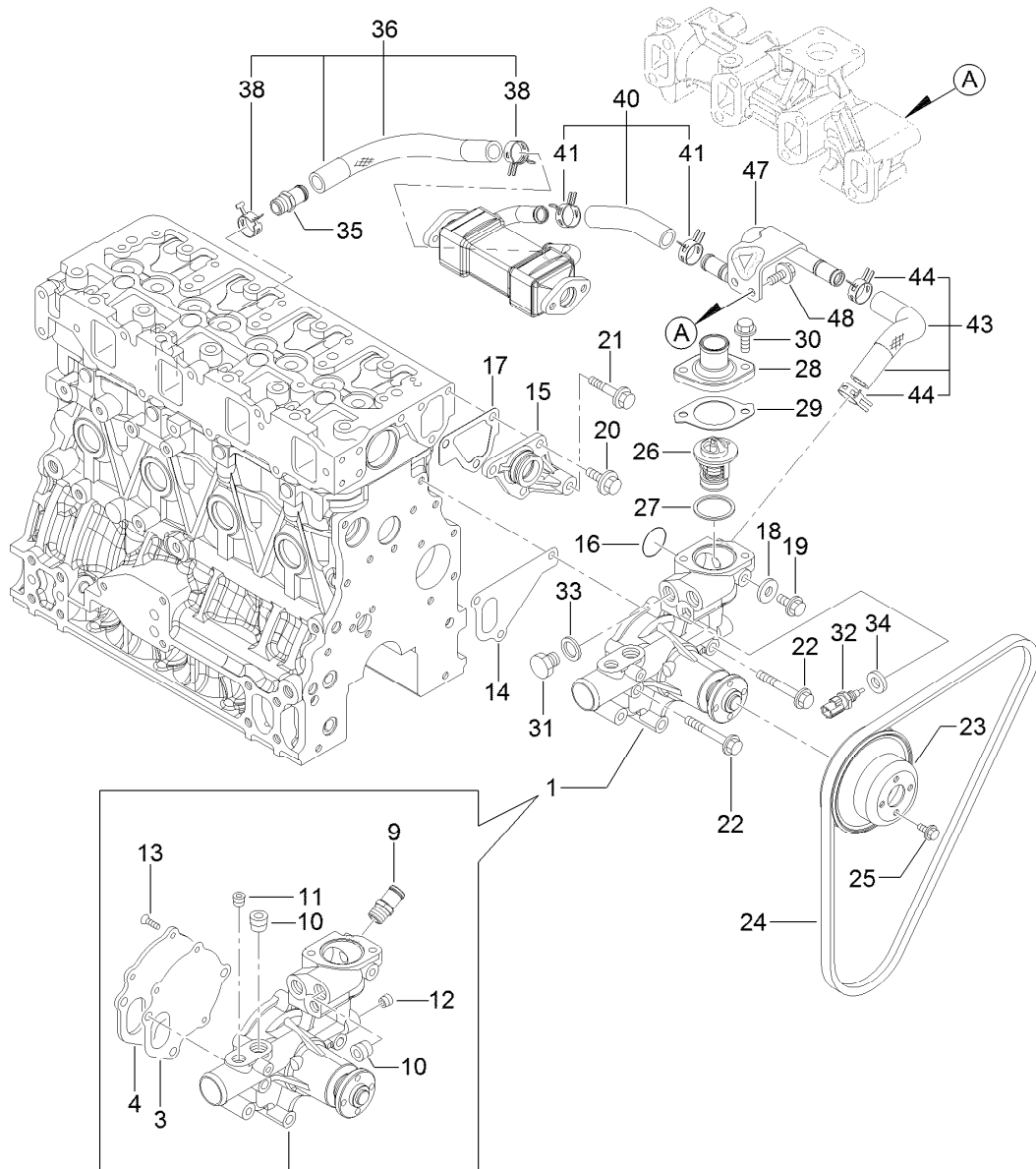
| Ref. | Part Number | Qty. | Description |
|------|-------------|------|---------------------|
| 26 | 125-6930 | 1 | Bracket |
| 27 | 127-3010 | 1 | Stud |
| 28 | 125-7024 | 1 | Gasket |
| 30 | 125-6990 | 1 | Joint |
| 31 | 127-3102 | 1 | Pipe-Cooling, Water |
| 32 | 125-7162 | 2 | Clip |
| 35 | 127-3103 | 1 | Hose-Cooling, Water |
| 36 | 125-7162 | 2 | Clip |
| 38 | 127-3007 | 1 | Tube |
| 39 | 125-7001 | 1 | Elbow |
| 40 | 127-3176 | 1 | O-Ring |
| 41 | 125-7595 | 3 | Bolt |
| 42 | 125-7025 | 1 | Filter-Engine |



Lubrication Oil Line Assembly

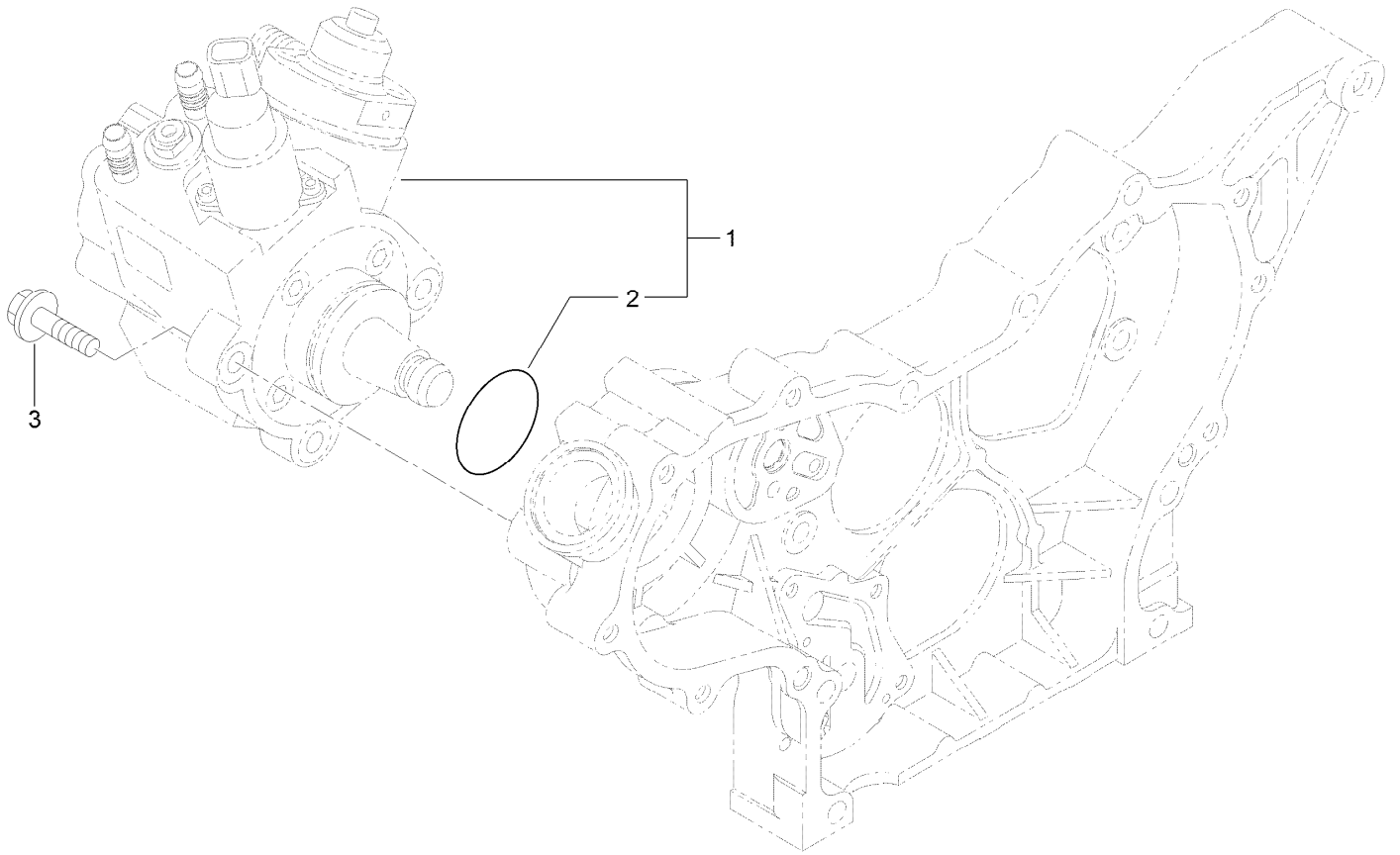
| Ref. | Part Number | Qty. | Description |
|------|-------------|------|-------------------|
| 1 | 125-6918 | 1 | Switch-Oil |
| 2 | 125-6975 | 1 | Bolt-Joint, Pipe |
| 3 | 125-6952 | 1 | Bolt-Joint, Pipe |
| 4 | 127-3154 | 1 | Lube Oil Pipe ASM |
| 5 | 125-6976 | 1 | Retainer |
| 6 | 125-7175 | 2 | Washer-Seal |
| 7 | 125-7193 | 2 | Gasket |
| 8 | 93-0362 | 1 | Bolt |
| 9 | 127-2992 | 1 | Joint |

| Ref. | Part Number | Qty. | Description |
|------|-------------|------|-----------------|
| 10 | 127-3155 | 1 | Pipe-Lube, Oil |
| 11 | 127-3003 | 1 | Elbow |
| 12 | 127-3169 | 2 | Clamp-Hose |
| 13 | 125-7198 | 1 | O-Ring |
| 14 | 125-7208 | 2 | Bolt |
| 15 | 125-7105 | 4 | Check Valve ASM |
| 21 | 125-7098 | 4 | Nozzle |
| 22 | 125-7182 | 4 | Pin-Spring |



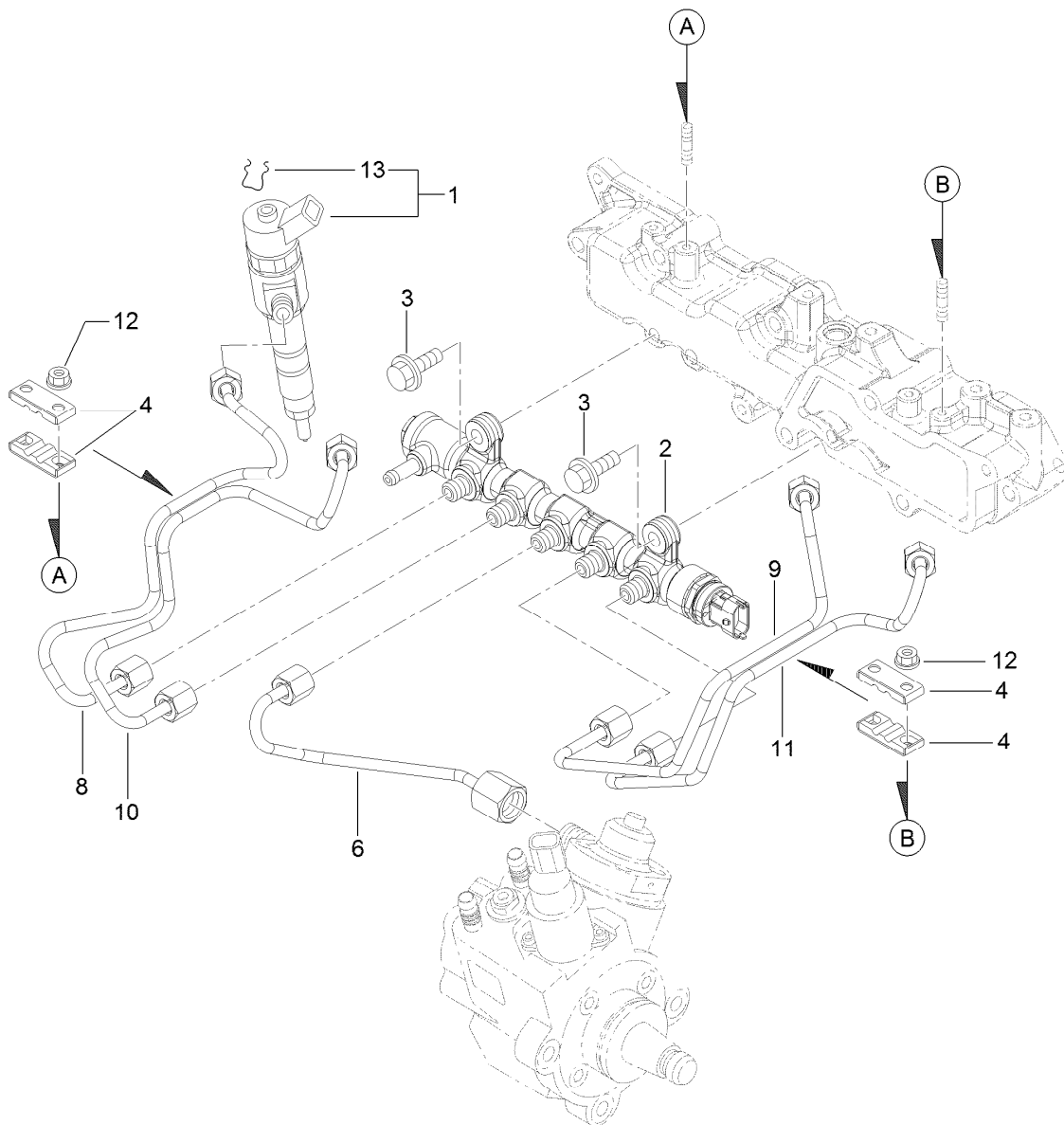
Cooling Water System Assembly

| Ref. | Part Number | Qty. | Description | Ref. | Part Number | Qty. | Description |
|------|-------------|------|----------------|------|-------------|------|-----------------------|
| 1 | 127-3071 | 1 | Water Pump ASM | 25 | 125-7206 | 4 | Bolt |
| 3 | 125-6998 | 1 | Gasket | 26 | 125-7029 | 1 | Thermostat |
| 4 | 125-6999 | 1 | Plate | 27 | 125-7026 | 1 | Gasket |
| 9 | 127-3017 | 1 | Joint | 28 | 125-7034 | 1 | Cover |
| 10 | 125-7123 | 2 | Plug | 29 | 125-7110 | 1 | Gasket |
| 11 | 127-3175 | 1 | Plug | 30 | 125-7594 | 2 | Bolt |
| 12 | 125-7195 | 1 | Plug | 31 | 125-6953 | 1 | Plug |
| 13 | 125-7234 | 3 | Screw | 32 | 125-7124 | 1 | Sensor-Thermostat, CW |
| 14 | 125-7047 | 1 | Gasket | 33 | 125-6979 | 1 | Gasket |
| 15 | 125-6986 | 1 | Joint | 34 | 125-7176 | 1 | Washer-Seal |
| 16 | 125-7048 | 1 | O-Ring | 35 | 127-3017 | 1 | Joint |
| 17 | 125-6978 | 1 | Gasket | 36 | 127-3072 | 1 | Water In Pipe ASM |
| 18 | 125-7192 | 1 | Gasket | 38 | 127-3020 | 2 | Clip-Hose |
| 19 | 93-0362 | 1 | Bolt | 40 | 127-3115 | 1 | Water Out Pipe ASM |
| 20 | 125-7214 | 3 | Bolt | 41 | 127-3020 | 2 | Clip-Hose |
| 21 | 125-7219 | 1 | Bolt | 43 | 127-3116 | 1 | Water Out Pipe ASM |
| 22 | 125-7222 | 3 | Bolt | 44 | 127-3020 | 2 | Clip-Hose |
| 23 | 125-7039 | 1 | V-Pulley | 47 | 127-3117 | 1 | Pipe-Out, CW |
| 24 | 127-2998 | 1 | V-Belt | 48 | 125-7214 | 2 | Bolt |



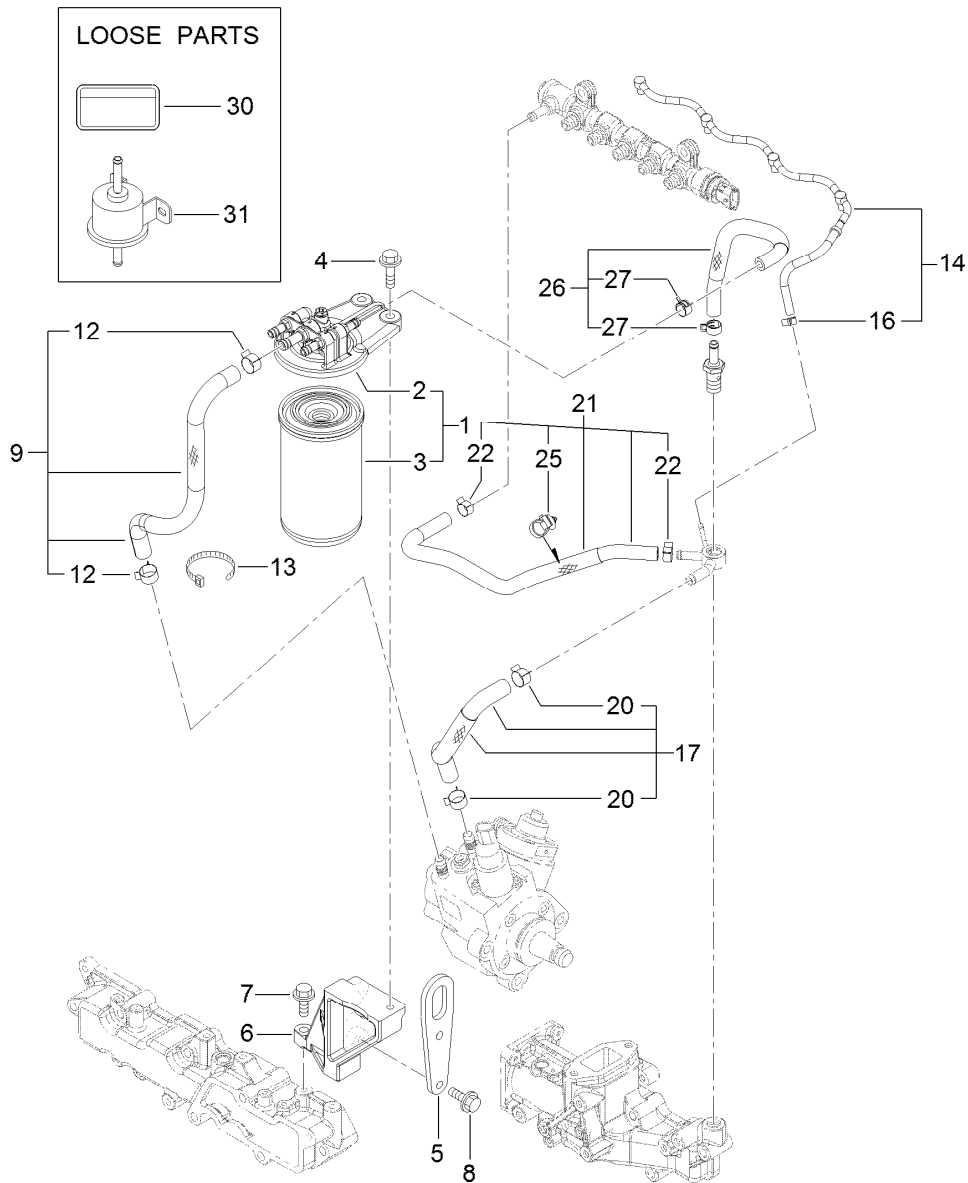
Fuel System Assembly

| <i>Ref.</i> | <i>Part Number</i> | <i>Qty.</i> | <i>Description</i> |
|-------------|--------------------|-------------|--------------------|
| 1 | 127-3073 | 1 | Fuel Pump ASM |
| 2 | 127-3074 | 1 | O-Ring |
| 3 | 125-7216 | 3 | Bolt |



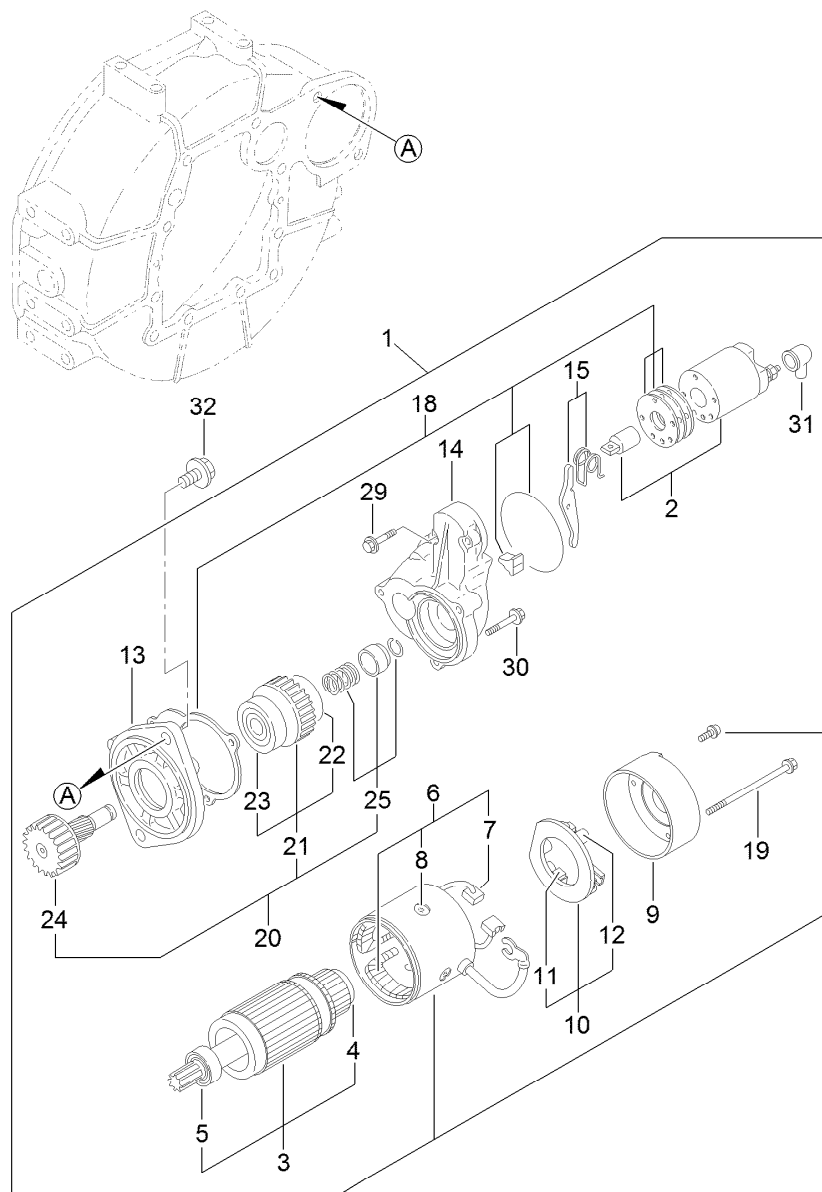
Fuel Injection Valve Assembly

| Ref. | Part Number | Qty. | Description |
|------|-------------|------|--------------------|
| 1 | 127-3104 | 4 | Injector ASM |
| 2 | 127-3118 | 1 | Rail ASM |
| 3 | 125-7215 | 2 | Bolt |
| 4 | 127-2982 | 4 | Retainer |
| 6 | 127-3082 | 1 | Rail In Pipe ASM |
| 8 | 127-3121 | 1 | Injection Pipe ASM |
| 9 | 127-3083 | 1 | Injection Pipe ASM |
| 10 | 127-3122 | 1 | Injection Pipe ASM |
| 11 | 127-3084 | 1 | Injection Pipe ASM |
| 12 | 125-7231 | 4 | Nut |
| 13 | 130-7430 | 4 | Ring-Retaining |



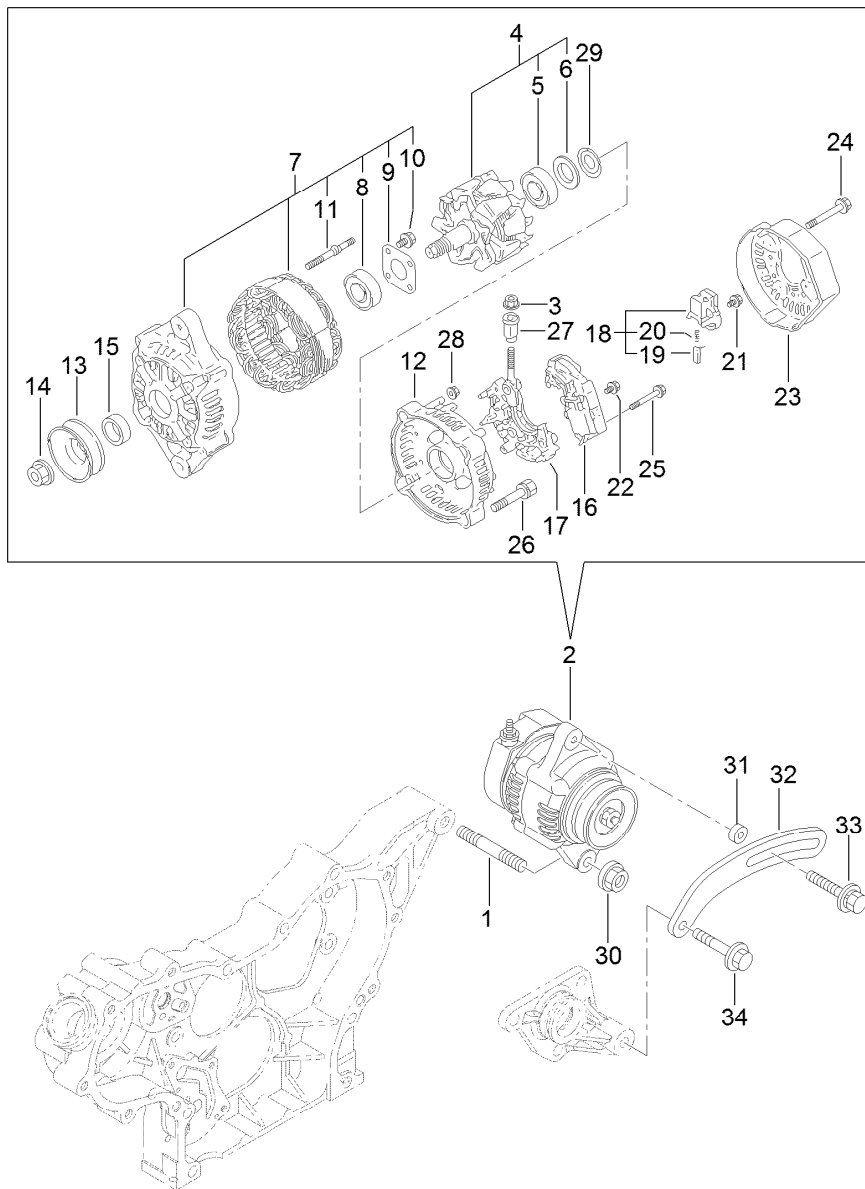
Fuel Line Assembly

| Ref. | Part Number | Qty. | Description | Ref. | Part Number | Qty. | Description |
|------|-------------|------|-----------------------------|------|-------------|------|-------------------------|
| 1 | 127-3075 | 1 | Fuel/Oil Filter ASM | 14 | 127-3120 | 1 | Fuel Pipe ASM |
| 2 | 127-3076 | 1 | Fuel/Oil Filter Bracket ASM | 16 | 127-3172 | 1 | Clamp-Hose |
| 3 | 125-8752 | 1 | Filter-Fuel/Oil | 17 | 127-3078 | 1 | Fuel Pipe ASM |
| 4 | 125-7216 | 2 | Bolt | 20 | 125-7191 | 2 | Clamp-Hose |
| 5 | 127-3091 | 1 | Lifter-Engine | 21 | 127-3119 | 1 | Fuel Pipe ASM |
| 6 | 127-3105 | 1 | Stay-Bracket, Filter | 22 | 127-2950 | 2 | Clip-Hose |
| 7 | 125-7215 | 1 | Bolt | 25 | 127-3087 | 1 | Band-Clip |
| 8 | 125-7216 | 2 | Bolt | 26 | 127-3079 | 1 | Fuel Pipe ASM |
| 9 | 127-3077 | 1 | Fuel Pipe ASM | 27 | 127-2950 | 2 | Clip-Hose |
| 12 | 125-7191 | 2 | Clamp-Hose | 30 | 125-6900 | 1 | Label-Caution, Fuel Oil |
| 13 | 127-2981 | 1 | Band | 31 | 127-3008 | 1 | Fuel Feed Pump ASM |



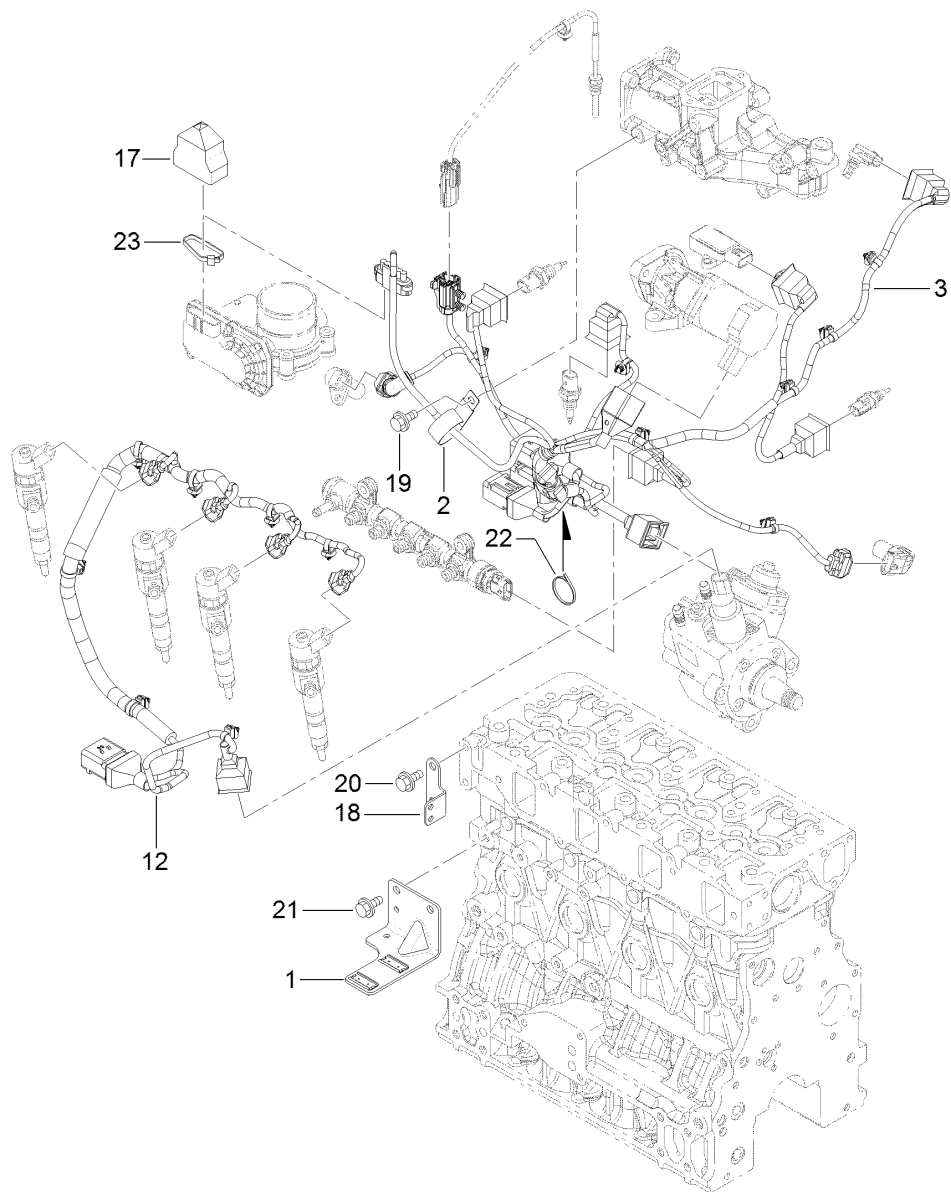
Starting Motor Assembly

| <i>Ref.</i> | <i>Part Number</i> | <i>Qty.</i> | <i>Description</i> | <i>Ref.</i> | <i>Part Number</i> | <i>Qty.</i> | <i>Description</i> |
|-------------|--------------------|-------------|--------------------|-------------|--------------------|-------------|--------------------|
| 1 | 125-7003 | 1 | Starter | 15 | 125-7165 | 1 | Lever Set |
| 2 | 125-7004 | 1 | Switch ASM | 18 | 125-7037 | 1 | Dust Cover ASM |
| 3 | 125-7112 | 1 | Armature ASM | 19 | 125-7117 | 2 | Bolt-Through |
| 4 | 125-7252 | 1 | Bearing-Ball | 20 | 125-7166 | 1 | Pinion ASM |
| 5 | 125-7249 | 1 | Bearing, Ball | 21 | 125-7250 | 1 | Clutch ASM |
| 6 | 125-7113 | 1 | Field Coil ASM | 22 | 125-7251 | 1 | Bearing-Ball |
| 7 | 125-7114 | 2 | Brush | 23 | 125-7253 | 1 | Bearing-Ball |
| 8 | 125-7163 | 4 | Screw | 24 | 125-7167 | 1 | Shaft |
| 9 | 125-7115 | 1 | Cover | 25 | 125-7168 | 1 | Stopper Set |
| 10 | 125-7116 | 1 | Brush Holder ASM | 29 | 125-7210 | 2 | Bolt |
| 11 | 125-7114 | 2 | Brush | 30 | 125-7211 | 3 | Bolt |
| 12 | 125-7036 | 4 | Spring | 31 | 125-7169 | 1 | Cover |
| 13 | 125-7164 | 1 | Case-Gear | 32 | 125-7225 | 2 | Bolt |
| 14 | 125-7005 | 1 | Housing | | | | |



Generator Assembly

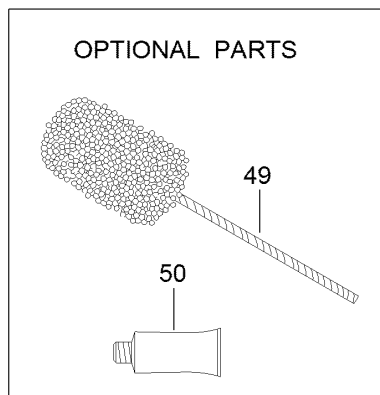
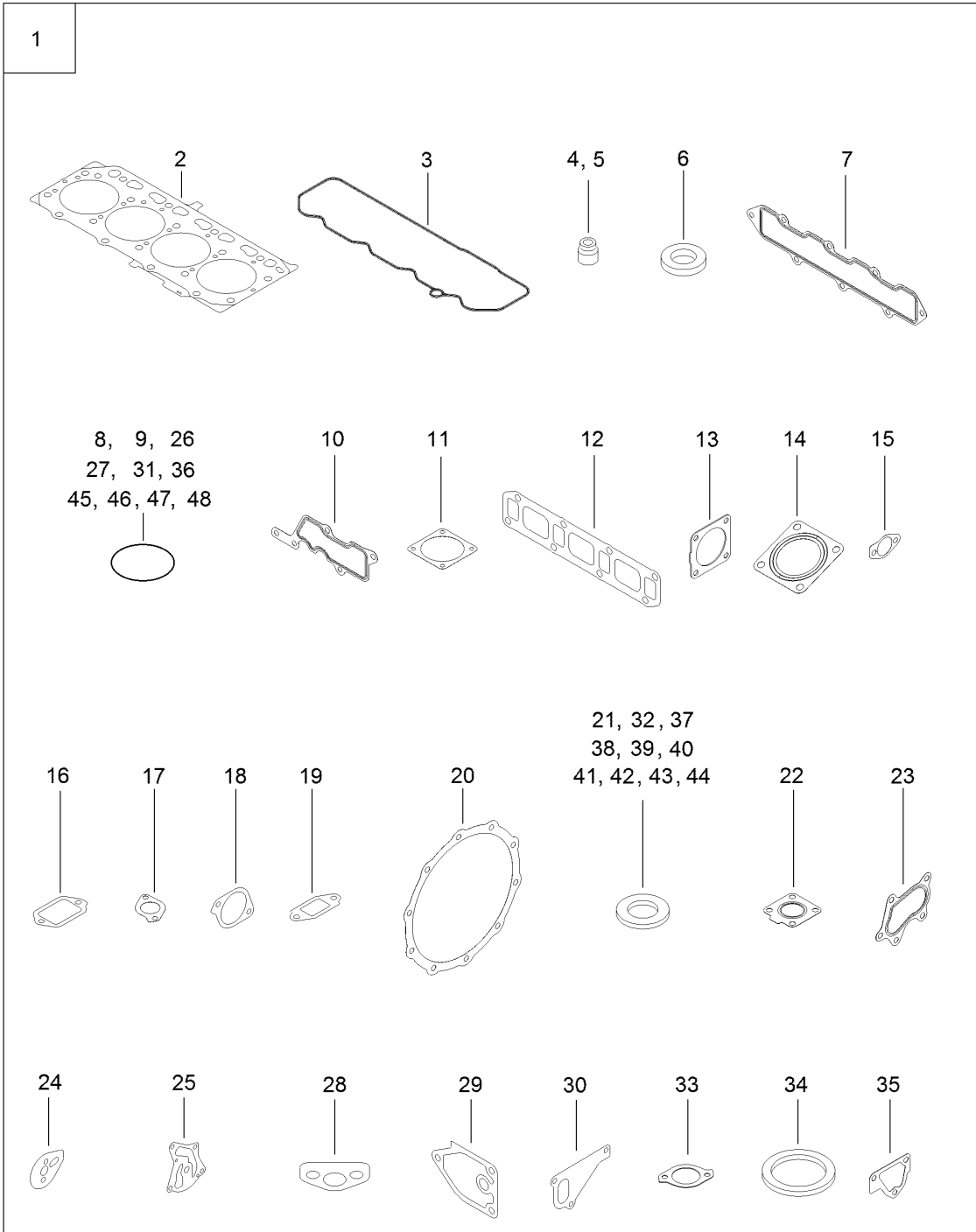
| Ref. | Part Number | Qty. | Description | Ref. | Part Number | Qty. | Description |
|------|-------------|------|----------------|------|-------------|------|--------------------|
| 1 | 127-3011 | 1 | Stud | 18 | 127-2993 | 1 | Holder |
| 2 | 127-3001 | 1 | Generator | 19 | 127-2956 | 2 | Brush ASM |
| 3 | 127-3190 | 1 | Nut | 20 | 127-2964 | 2 | Spring |
| 4 | 127-2951 | 1 | Rotor ASM | 21 | 127-2965 | 6 | Screw |
| 5 | 127-2983 | 1 | Bearing-Ball | 22 | 127-2966 | 1 | Screw |
| 6 | 127-2962 | 1 | Cover | 23 | 127-2999 | 1 | Cover |
| 7 | 127-2952 | 1 | Frame ASM | 24 | 127-2967 | 3 | Bolt |
| 8 | 127-2958 | 1 | Bearing-Ball | 25 | 127-2968 | 2 | Screw |
| 9 | 127-2959 | 1 | Plate-Retainer | 26 | 127-2969 | 2 | Bolt |
| 10 | 127-2960 | 4 | Screw | 27 | 127-2970 | 1 | Bushing-Insulation |
| 11 | 127-2961 | 2 | Stud | 28 | 127-2971 | 2 | Nut |
| 12 | 127-2953 | 1 | Frame ASM | 29 | 127-2972 | 1 | Washer |
| 13 | 127-2954 | 1 | Pulley | 30 | 125-7230 | 1 | Nut |
| 14 | 127-2955 | 1 | Nut | 31 | 125-6947 | 1 | Spacer |
| 15 | 127-2957 | 1 | Collar | 32 | 127-2977 | 1 | Adjuster |
| 16 | 127-3002 | 1 | Regulator ASM | 33 | 125-7134 | 1 | Bolt |
| 17 | 127-2963 | 1 | Holder | 34 | 125-7219 | 1 | Bolt |



Electric Parts Assembly

| Ref. | Part Number | Qty. | Description |
|-------------|--------------------|-------------|-------------------------|
| 1 | 127-3086 | 1 | Bracket-Connector |
| 2 | 127-3018 | 1 | Clip |
| 3 | 127-3156 | 1 | Harness B-E C O, Engine |
| 12 | 127-3125 | 1 | Harness C |
| 17 | 127-3089 | 1 | Boot-Type, Cap |
| 18 | 127-3090 | 1 | Bracket-Harness |
| 19 | 93-0362 | 1 | Bolt |
| 20 | 93-0362 | 2 | Bolt |
| 21 | 93-0362 | 2 | Bolt |
| 22 | 127-3187 | 1 | Band |
| 23 | 127-3188 | 1 | Band |

Gasket Set



Gasket Set (continued)

| <i>Ref.</i> | <i>Part Number</i> | <i>Qty.</i> | <i>Description</i> | <i>Ref.</i> | <i>Part Number</i> | <i>Qty.</i> | <i>Description</i> |
|-------------|--------------------|-------------|----------------------------|-------------|--------------------|-------------|--------------------|
| 1 | 127-3189 | 1 | Gasket Kit | 26 | 125-6909 | 2 | O-Ring |
| 2 | 127-3126 | 1 | Gasket-Head, Cylinder | 27 | 127-2973 | 1 | O-Ring |
| 3 | 127-3106 | 1 | Gasket-Cover | 28 | 125-7022 | 1 | Gasket |
| 4 | 127-2986 | 4 | Seal-Stem, Valve | 29 | 125-7024 | 1 | Gasket |
| 5 | 127-3027 | 4 | Seal-Stem, Valve | 30 | 125-7047 | 1 | Gasket |
| 6 | 127-3021 | 4 | Gasket-Injector | 31 | 125-7048 | 1 | O-Ring |
| 7 | 127-3107 | 1 | Gasket-Manifold, Intake | 32 | 125-6979 | 1 | Gasket |
| 8 | 127-3032 | 2 | O Ring-Sensor, Pressure | 33 | 125-7110 | 1 | Gasket |
| 9 | 127-3033 | 1 | O-Ring | 34 | 125-7026 | 1 | Gasket |
| 10 | 127-3034 | 1 | Gasket-Collector | 35 | 125-6978 | 1 | Gasket |
| 11 | 127-3037 | 2 | Gasket-Throttle | 36 | 127-3074 | 1 | O-Ring |
| 12 | 127-3108 | 1 | Gasket-Manifold, Exhaust | 37 | 125-7174 | 1 | Washer-Seal |
| 13 | 127-3019 | 1 | Gasket | 38 | 125-7175 | 2 | Washer-Seal |
| 14 | 127-2987 | 1 | Gasket-Silencer | 39 | 125-7176 | 1 | Washer-Seal |
| 15 | 127-3043 | 2 | Gasket-Cooler, E G R | 40 | 127-3166 | 2 | Washer-Seal |
| 16 | 127-3046 | 1 | Gasket-E G R | 41 | 125-7177 | 1 | Washer-Seal |
| 17 | 127-3016 | 1 | Gasket | 42 | 125-7192 | 1 | Gasket |
| 18 | 127-3050 | 1 | Gasket-Intake Valve, E G R | 43 | 125-7193 | 2 | Gasket |
| 19 | 127-3051 | 1 | Gasket-Out Valve, E G R | 44 | 127-3174 | 2 | Gasket |
| 20 | 127-3162 | 2 | Gasket-D P F | 45 | 93-0418 | 3 | O-Ring |
| 21 | 127-3056 | 4 | Gasket-Sensor | 46 | 125-7197 | 1 | O-Ring |
| 22 | 125-7070 | 1 | Gasket | 47 | 125-7198 | 1 | O-Ring |
| 23 | 125-7071 | 1 | Gasket | 48 | 127-3176 | 1 | O-Ring |
| 24 | 127-3069 | 1 | Gasket-Idle, Shaft B | 49 | 127-3000 | 1 | Hone |
| 25 | 127-3004 | 1 | Gasket | 50 | 125-7248 | 1 | Gasket-Liquid |

Attachments and Accessories

For 30609 Groundsmaster 4000 Rotary Mower

| Product Name | Model/Part |
|---|-------------------|
| Bumper ASM | 106-4278-03 |
| Blade-Atomic (21.75in) | 107-0214-03 |
| Premium All Season Hydraulic Fluid (55 Gallon Drum) | 108-1177 |
| Premium All Season Hydraulic Fluid (5 Gallon Pail) | 108-1178 |
| Atomic Blade Service Pack (7 Pack) | 108-1450 |
| Blade-Flat Sail (21.75in) | 110-6115-03 |
| Flat Blade Service Pack (7 Pack) | 110-6130 |
| MVP Blade Kit | 117-2722 |
| Vinyl Backrest Extension Kit | 119-7718 |
| Large Seat Cover | 120-5179 |
| Premium Engine Oil 10w30 (55 Gallon Drum) | 121-6392 |
| Premium Engine Oil 10w30 (5 Gallon Pail) | 121-6393 |
| Premium Engine Oil 15w40 (55 Gallon Drum) | 121-6394 |
| Premium Engine Oil 15w40 (5 Gallon Pail) | 121-6395 |
| Universal Sunshade | 30349 |
| 400 Hour MVP Kit | 30408 |
| North American Light Kit | 30414 |
| Guardian Recycler Conversion Kit | 30420 |
| Leaf Mulcher Kit | 30422 |
| CE Kit | 30453 |
| Right-Hand Replacement Mower | 30476 |
| Left-Hand Replacement Mower | 30477 |
| CE Light Kit | 30660 |
| Beacon Kit | 30661 |
| License Plate Kit | 30664 |
| Slow-Moving Vehicle Sign Kit | 30665 |
| Blade (21.75in) | 92-5608-03 |
| 8in Foam Filled Wheel ASM | 93-5974 |

Notes:



Count on it.