



Count on it.

Parts Catalog

Groundsmaster® 4100

Rotary Mower

Model No. 30608—Serial No. 401140001 and Up



Ordering Replacement Parts

To order replacement parts, please supply the part number, the quantity, and the description of each part desired.

Understanding Reference Numbers

Each identified part in an illustration has a reference number. The reference number for a part also appears in the parts list, along with other information about the part.

This catalog uses two special reference number formats, one to indicate parts in a service assembly and another to indicate the quantity of a given part in an illustration.

Service Assembly Reference Numbers

Parts in service assemblies have reference numbers in the form a:b. The a represents the reference number of the entire service assembly and the b represents a sequential number unique to each part within the service assembly.

For example, a wheel assembly might be identified by reference number 6, the tire by 6:1, the valve by 6:2, and the wheel by 6:3. When you order the assembly identified by reference number 6, you receive all parts identified by reference numbers 6:1, 6:2, and 6:3. However, you may also order any part individually. Reference numbers of this type appear in illustration and in parts lists.

Reference Numbers Indicating Quantity

In an illustration, if a reference number indicates more than one part, the reference number has the form nX y. The n represents the quantity of the part, the X is the multiplication symbol, and the y represents the reference number.

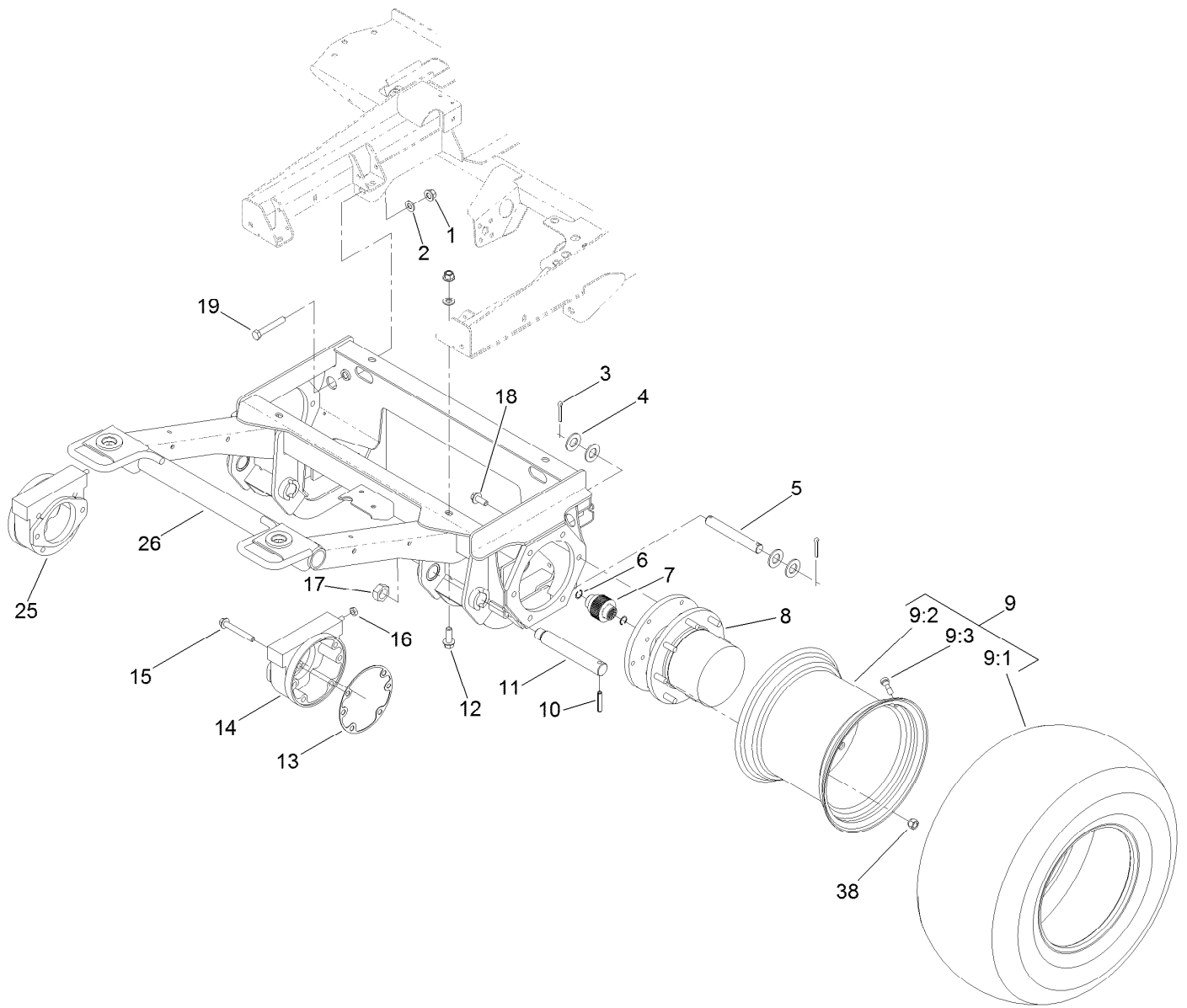
For example, in an illustration, the reference number 2X 37 means that two of the parts identified by reference number 37 are indicated.

Contents

Front Frame and Steering Assembly	5
Planetary Assembly No. 105-4500	6
Brake Assembly No. 100-3070-03	7
Brake Assembly No. 100-3069-03	8
Battery, Shield and Rear Cover Assembly	9
Frame and Bumper Assembly	10
ROPS Assembly	11
Flywheel and Motor Mount Assembly	12
Radiator Assembly	13
Fan Mounting and Hardlines Assembly	15
Hydraulic Motor Assembly No. 117-4769	16
Engine and Controller Assembly	17
Piston Pump and Gear Pump Assembly	18
Four-Section Gear Pump Assembly No. 120-8906	19
Hydraulic Pump Assembly No. 132-6100	20
Combination Manifold Assembly	22
Combination Manifold Assembly No. 120-8842	23
Manifold Block Assembly	25
Left PTO Manifold Assembly No. 131-1249	26
Rear Traction Manifold Assembly No. 121-1530	27
Center and Right PTO Manifold Assembly No. 131-1248	28
Drive Motor, Steer Valve and Filter Head Assembly	29
Hydraulic Motor Assembly No. 120-8913	30
Steering Valve Assembly No. 132-6256	31
Lift, Steer and Fan Hydraulic Assembly	32
Oil Cooler Hydraulic Assembly	34
Hydraulic Reservoir Assembly	36
Traction Hydraulic Assembly	37
Rear Axle and Steering Cylinder Assembly	38
Bevel Pinion Shaft Assembly Rear Axle Assembly No. 110-4750	40
Differential Assembly Rear Axle Assembly No. 110-4750	41
Axle Support Assembly Rear Axle Assembly No. 110-4750	42
Bevel Gear Case Assembly Rear Axle Assembly No. 110-4750	43
Bevel Gear Shaft Assembly Rear Axle Assembly No. 110-4750	44
Axle Case Assembly Rear Axle Assembly No. 110-4750	45
Axle Assembly Rear Axle Assembly No. 110-4750	46
Hydraulic Motor Assembly No. 120-8814	47
Steering Cylinder Assembly No. 121-1534	48
Hydraulic Fitting Assembly	49
Hose and Tube Routing Assembly	50
Fuel Tank and Air Cleaner Assembly	51
Air Cleaner Assembly No. 99-5410	52
Hood Assembly	53
Fuel/Water Separator and Shield Assembly	54
Traction Pedal and Platform Assembly	55
Brake Pedal Assembly	57
Seat Base and Seat Assembly	58
Seat Suspension Assembly No. 130-2702	60
Vinyl Premium Seat Assembly No. 117-5676	62
Steering and Controller Assembly	63
Steering Column Assembly No. 132-6230	65
Fender, Tool Box and Cover Assembly	66
Fender and Step Support Assembly	67
Acoustic Foam Assembly	68

Contents (continued)

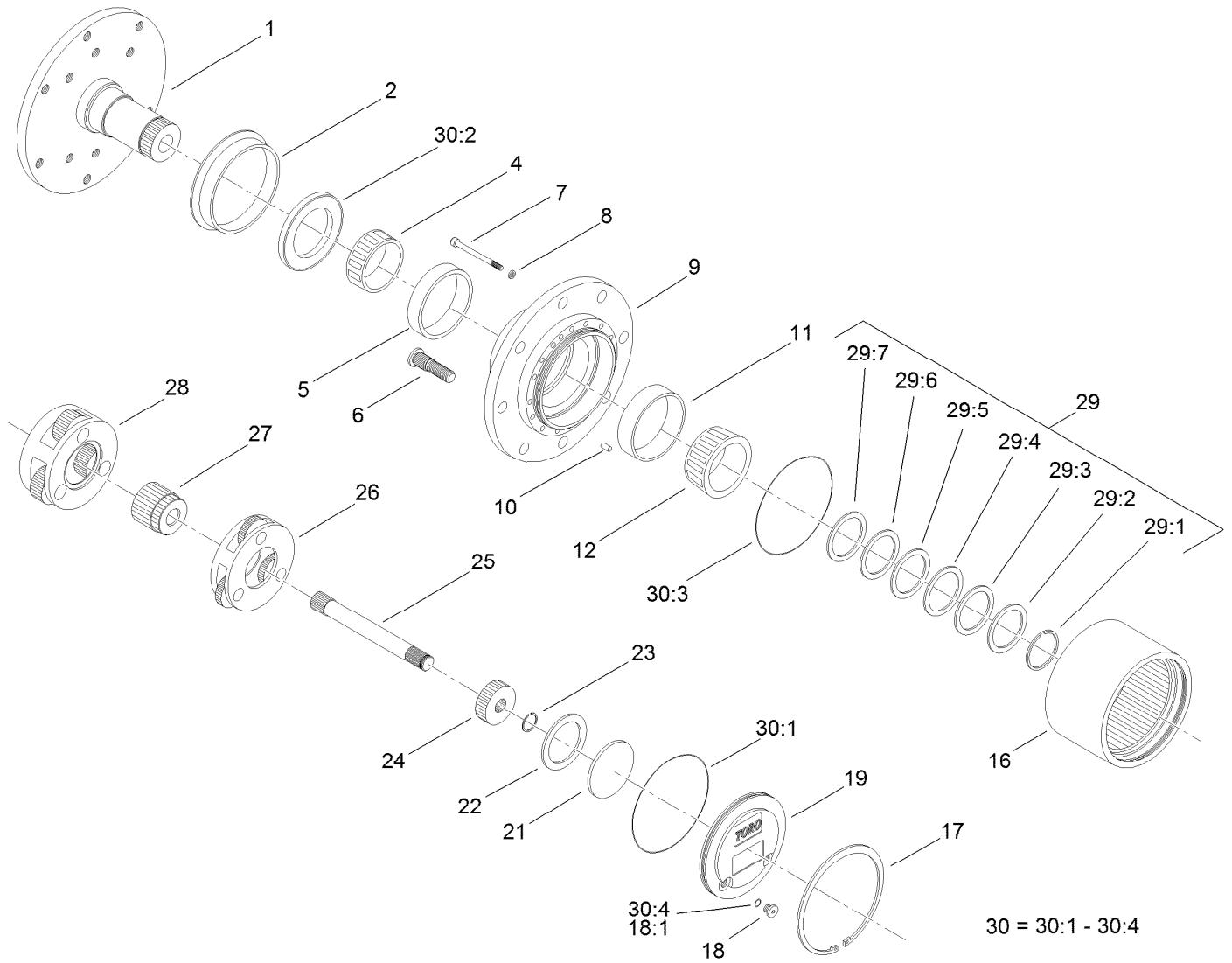
Front Deck Lift Arm Assembly	69
Hydraulic Motor Assembly No. 127-3694	71
Hydraulic Cylinder Assembly No. 120-8822	72
Front Deck Hydraulic Fitting Assembly	73
Front Deck Hose Routing Assembly	74
Platform Wire Harness and Fuse Assembly	76
Rear Wire Harness Assembly	77
Battery Cable and Ground Assembly	78
Engine Harness Assembly	79
Armrest Control Panel Assembly	80
Center Deck Assembly	82
Low Driven Spindle Assembly No. 119-4776	84
Wing Lift Cylinder Assembly No. 107-0190	85
High Driven Spindle Assembly No. 119-4549	86
Right Hand and Left Hand Deck Installation Assembly	87
Caster Wheel Assembly	89
Spindle and Blade Assembly	91
Driving Spindle Assembly No. 119-4547	92
Double Driven Spindle Assembly No. 119-5298	93
Deck Cover Assembly	94
Rear Discharge Baffle Assembly	95
Cylinder Block Assembly	96
Gear Housing Assembly	97
Cylinder Head and Cover Assembly	98
Diesel Particulate Filter Assembly	100
Flywheel Housing and Oil Sump Assembly	102
Suction Manifold Assembly	103
Exhaust Manifold Assembly	104
Camshaft and Driving Gear Assembly	105
Turbine Assembly	106
Crankshaft and Piston Assembly	107
Lubrication and Oil System Assembly	108
Lubrication Oil Line Assembly	109
Cooling Water System Assembly	110
Fuel System Assembly	111
Fuel Injection Valve Assembly	112
Fuel Line Assembly	113
Starting Motor Assembly	114
Generator Assembly	115
Electric Parts Assembly	116
Gasket Set	117
Attachments and Accessories	119



Front Frame and Steering Assembly

Ref.	Part Number	Qty.	Description	Ref.	Part Number	Qty.	Description
1	99-5107	6	Nut-Lock	11	100-3017	2	Pin-Arm, Lift
2	3256-26	6	Washer-Flat	12	100-6116	4	Screw-HHF
3	3272-30	4	Pin-Cotter	13	93-7984	2	Gasket
4	3256-29	8	Washer-Flat	14	100-3070-03	1	Brake ASM
5	110-6006	2	Pin-Clevis	15	33106-090	8	Screw-HHF
6	93-7972	4	Ring-Retaining, Internal	16	3218-4	2	Nut-Jam
7	100-3046	2	Shaft-Brake, Splined	17	3296-49	2	Nut-Lock, NI
8	105-4500	2	Planetary ASM	18	33106-030	12	Screw-HHF
9		2	Wheel And Tire ASM ●	19	325-13	2	Screw-HH
9:1	119-8313	1	Tire	25	100-3069-03	1	Brake ASM
9:2	136-4391	1	Rim	26	132-6250-03	1	Frame-Front
9:3	232-27	1	Stem-Valve	38	242-50	16	Nut-Lug
10	32121-110	2	Pin-Roll, Slotted				

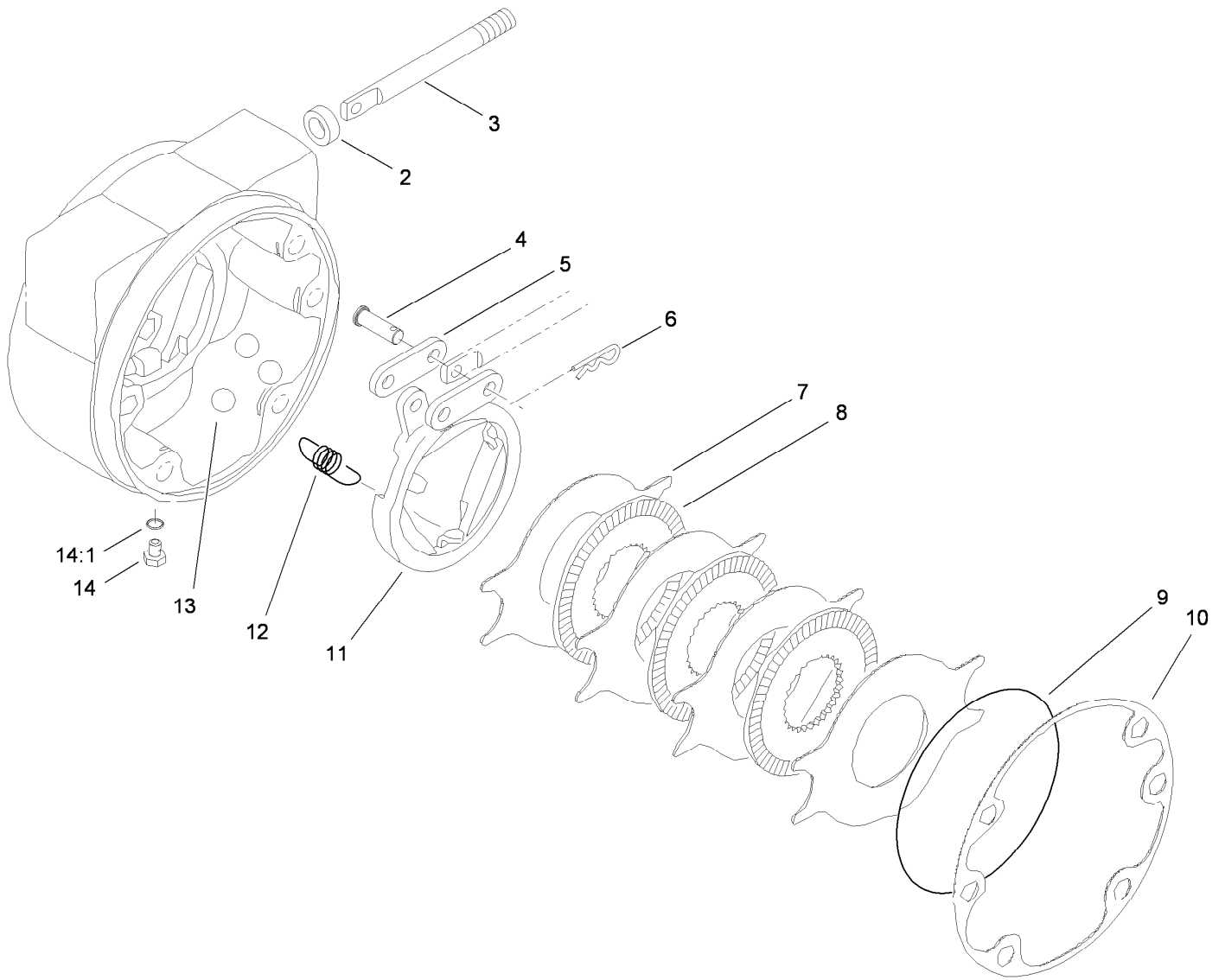
● Not serviced separately



Planetary Assembly No. 105-4500

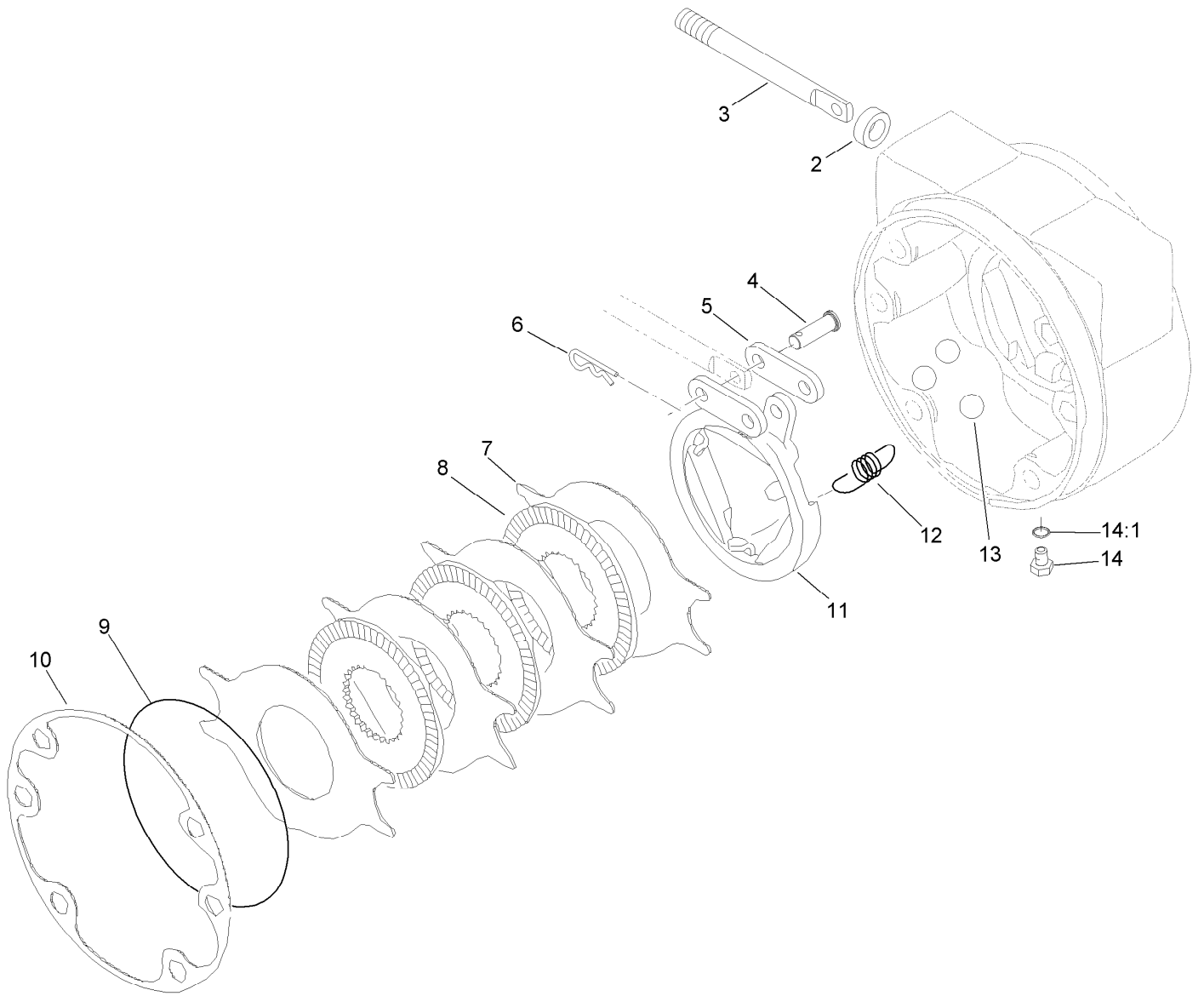
Ref.	Part Number	Qty.	Description	Ref.	Part Number	Qty.	Description
1		1	Spindle ●	24	105-8114	1	Gear-Primary
2	105-8122	1	Seal-Boot	25	105-8115	1	Shaft-Drive
4	105-8120	1	Bearing-Cone	26	105-8129	1	Carrier-Primary
5	105-8119	1	Bearing-Cup	27	105-8139	1	Gear-Secondary
6	105-8124	8	Stud-Wheel	28	105-8130	1	Carrier-Secondary
7	105-8125	16	Bolt-Head, Socket	29	105-8136	1	Shim Kit
8	3253-18	16	Washer-Lock	29:1		1	Ring-Snap ●
9		1	Housing ●	29:2		1	Shim-Bearing, 2.9Mm ●
10	105-8121	1	Pin-Dowel	29:3		1	Shim-Bearing, 2.8Mm ●
11	105-8117	1	Bearing-Cup	29:4		1	Shim-Bearing, 2.7Mm ●
12	105-8118	1	Bearing-Cone	29:5		1	Shim-Bearing, 2.6Mm ●
16	105-8113	1	Gear-Ring	29:6		1	Shim-Bearing, 2.5Mm ●
17	105-8132	1	Ring-Retaining	29:7		1	Shim-Bearing, 2.4Mm ●
18	353-990	2	Plug ASM	30	105-8137	1	Seal Kit
18:1	237-78	1	O-Ring	30:1		1	O Ring-Flange Cap ●
19	105-8138	1	Cap-End	30:2		1	Seal-Oil ●
21	105-8133	1	Plug-Thrust	30:3		2	O Ring-End Cap ●
22	105-8123	1	Washer-Thrust	30:4	237-78	2	O-Ring
23	105-8131	1	Ring-Retaining				

● Not serviced separately



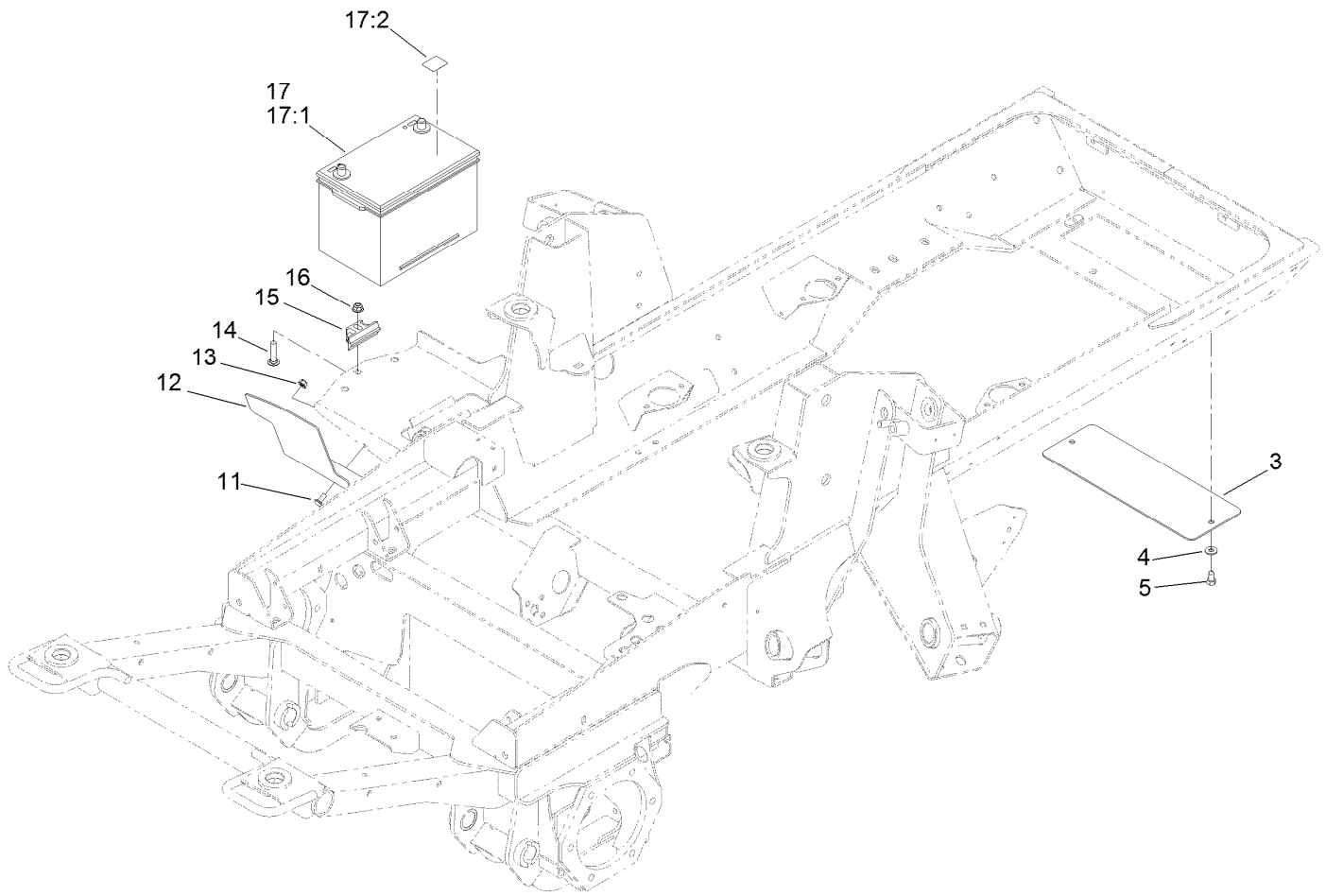
Brake Assembly No. 100-3070-03

<i>Ref.</i>	<i>Part Number</i>	<i>Qty.</i>	<i>Description</i>
2	93-7977	1	Seal
3	93-7978	1	Rod-Pull
4	93-7983	2	Pin-Clevis
5	93-7980	2	Link
6	93-7979	2	Pin-Hitch
7	93-7986	4	Disc-Stationary
8	104-4278	3	Disc-Rotating
9	93-7976	1	Ring-Retaining
10	93-7984	1	Gasket
11	104-4279	1	Actuator-Rotating
12	93-7987	3	Spring-Extension
13	93-7985	3	Ball
14	353-990	2	Plug ASM
14:1	237-78	1	O-Ring



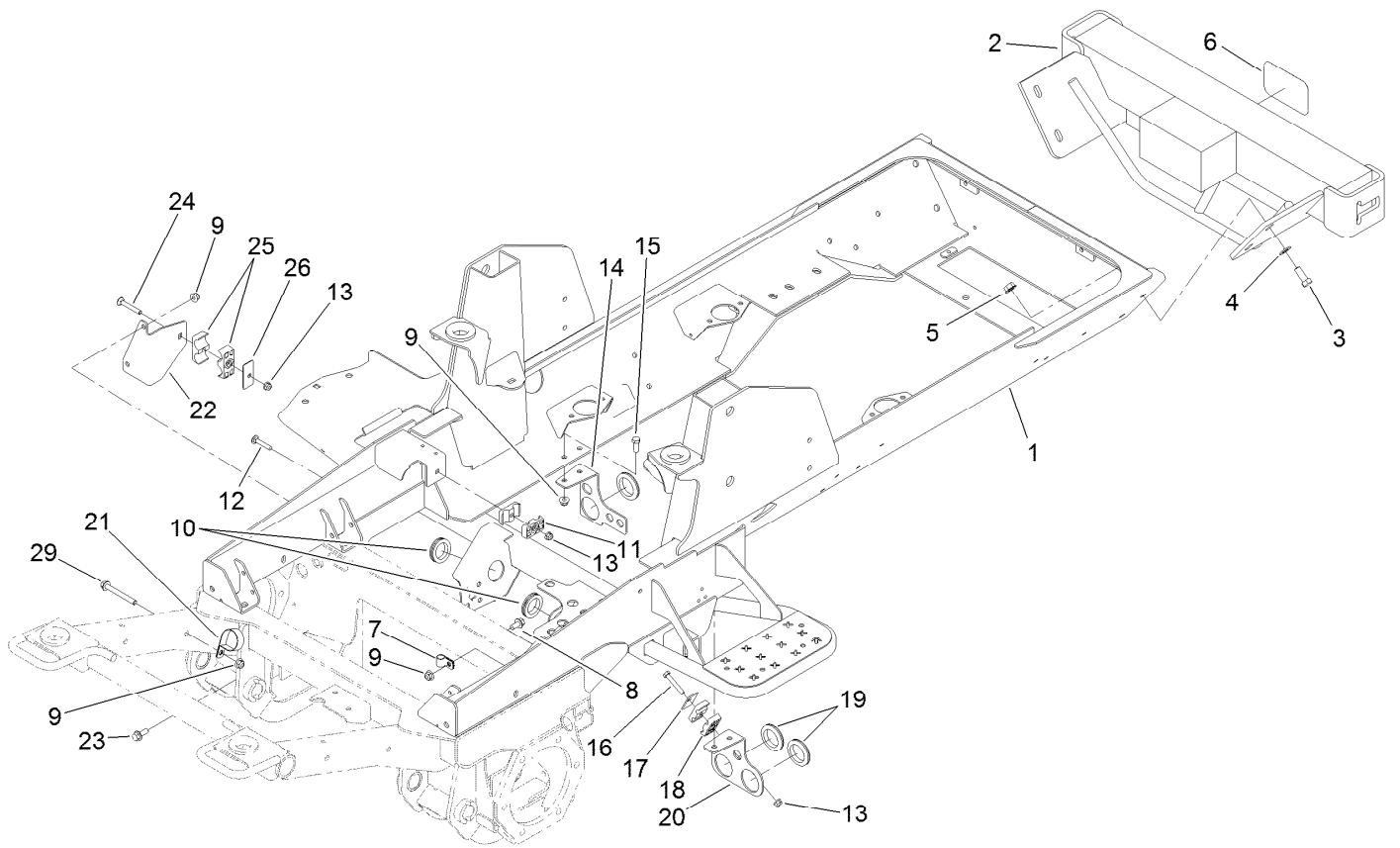
Brake Assembly No. 100-3069-03

<i>Ref.</i>	<i>Part Number</i>	<i>Qty.</i>	<i>Description</i>
2	93-7977	1	Seal
3	93-7978	1	Rod-Pull
4	93-7983	2	Pin-Clevis
5	93-7980	2	Link
6	93-7979	2	Pin-Hitch
7	93-7986	4	Disc-Stationary
8	104-4278	3	Disc-Rotating
9	93-7976	1	Ring-Retaining
10	93-7984	1	Gasket
11	104-4280	1	Actuator-Rotating
12	93-7987	3	Spring-Extension
13	93-7985	3	Ball
14	353-990	2	Plug ASM
14:1	237-78	1	O-Ring



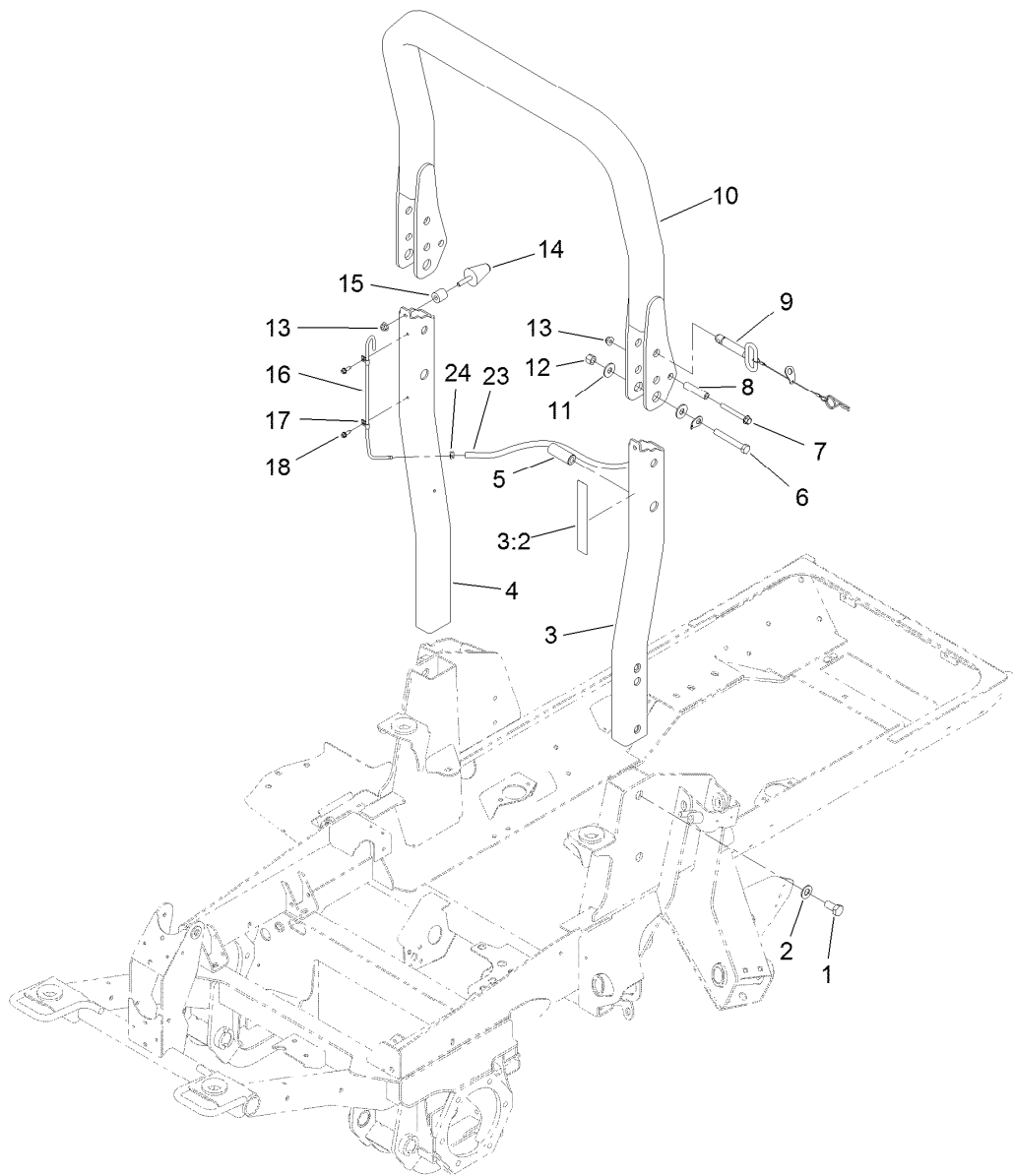
Battery, Shield and Rear Cover Assembly

<i>Ref.</i>	<i>Part Number</i>	<i>Qty.</i>	<i>Description</i>
3	131-1246-03	1	Plate-Cover
4	3256-3	2	Washer-Flat
5	32104-6	2	Screw-HH, TAP
11	3230-23	2	Screw-CARR
12	121-1512-03	1	Shield-Battery
13	104-8300	2	Nut-HF, NI
14	3231-5	1	Screw-CARR
15	138-6335	1	Retainer-Battery
16	104-8301	1	Nut-HF, NI
17	139-1005	1	Battery Kit
17:1	127-7507	1	Battery
17:2	139-1006	1	Decal



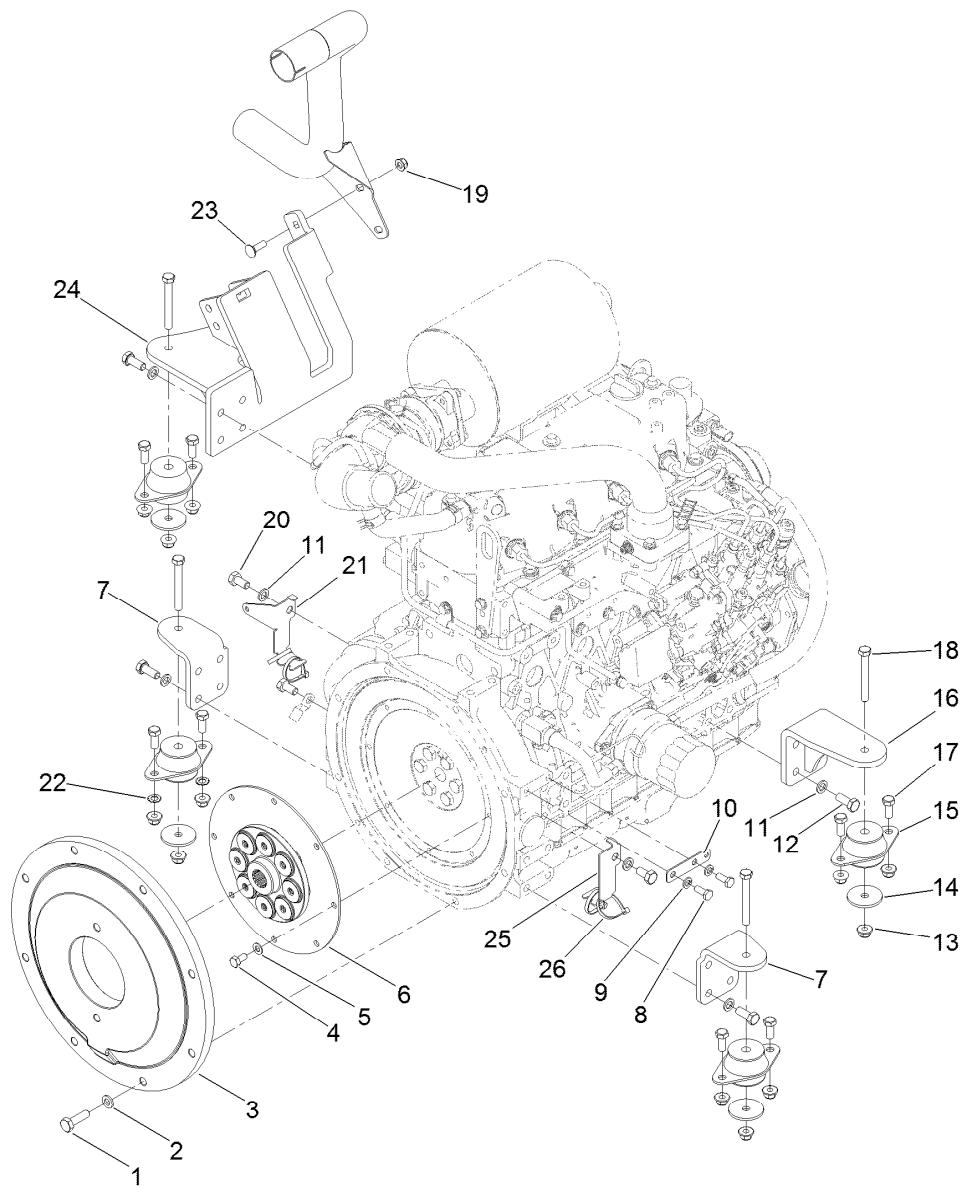
Frame and Bumper Assembly

<i>Ref.</i>	<i>Part Number</i>	<i>Qty.</i>	<i>Description</i>	<i>Ref.</i>	<i>Part Number</i>	<i>Qty.</i>	<i>Description</i>
1	120-4110-03	1	Frame	15	323-6	4	Screw-HH
2	106-4278-03	1	Bumper	16	322-10	1	Screw-HH
3	325-5	4	Screw-HH	17	69-9760	1	Plate-Cover
4	3256-26	4	Washer-Flat	18	56-7976	2	Clamp-Tube
5	32128-23	4	Nut-HF	19	240-2	3	Grommet-Rubber
6	105-8278	1	Decal	20	121-1481-03	1	Plate-Mount, Bulkhead (LH)
7	2412-138	1	R-Clamp	21	2412-147	1	Clamp-R
8	3234-1	1	Screw-HHF	22	120-9086-03	1	Plate-Mount, Tube
9	104-8301	8	Nut-HF, NI	23	3234-11	2	Screw-HHF
10	240-7	2	Grommet-Rubber	24	3230-7	1	Bolt-CARR
11	56-7971	2	Clamp-Tube	25	56-7974	2	Clamp-Tube
12	3230-5	1	Bolt-CARR	26	69-9761	1	Plate-Cover
13	104-8300	3	Nut-HF, NI	29	3234-41	1	Screw-HHF
14	121-1508-03	1	Bracket-Bulkhead				



ROPS Assembly

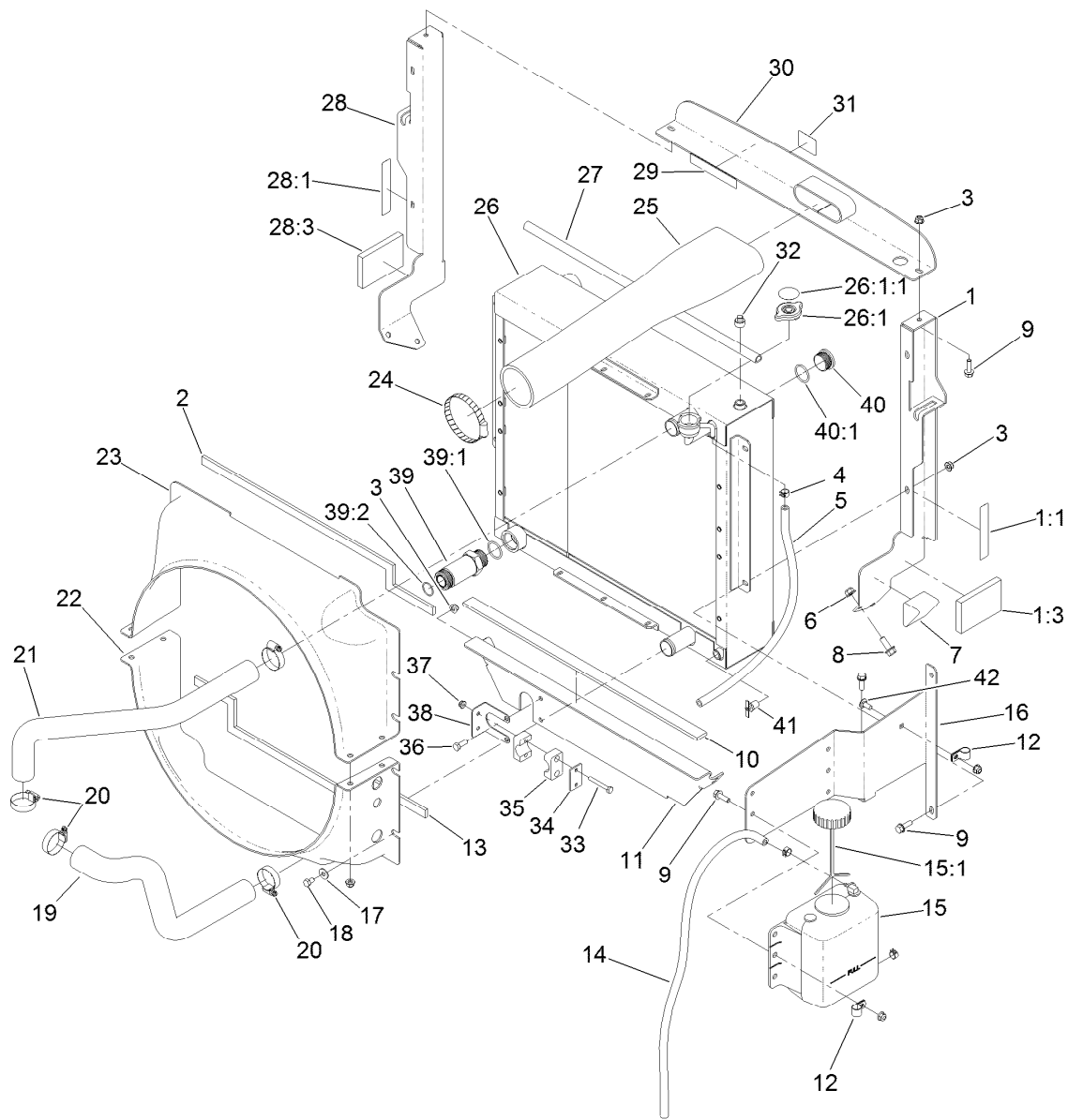
<i>Ref.</i>	<i>Part Number</i>	<i>Qty.</i>	<i>Description</i>	<i>Ref.</i>	<i>Part Number</i>	<i>Qty.</i>	<i>Description</i>
1	121-1658	4	Screw-HH	11	3256-6	4	Washer-Flat
2	3256-27	4	Washer-Flat	12	3296-23	2	Nut-Lock, NI
3	121-1744	1	Left ROPS ASM	13	104-8301	4	Nut-HF, NI
3:2	120-8947	1	Decal-Danger, ROPS	14	121-1604	2	Bumper-Rubber
4	121-1632-03	1	ROPS-Lower, RH	15	61-2220	2	Spacer
5	121-1660	2	Spacer	16	121-1638	1	Tube-Vent
6	325-35	2	Screw-HH	17	2412-72	2	Clip-Closed, Insulated
7	3234-41	2	Screw-HHF	18	32104-95	2	Screw-HWH
8	106-0877	2	Spacer-Shield	23	110-5701	1	Hose-Fuel
9	121-1629	2	ROPS Fold Pin ASM	24	2412-98	1	Clamp-Hose
10	121-1642	1	ROPS-Upper				



Flywheel and Motor Mount Assembly

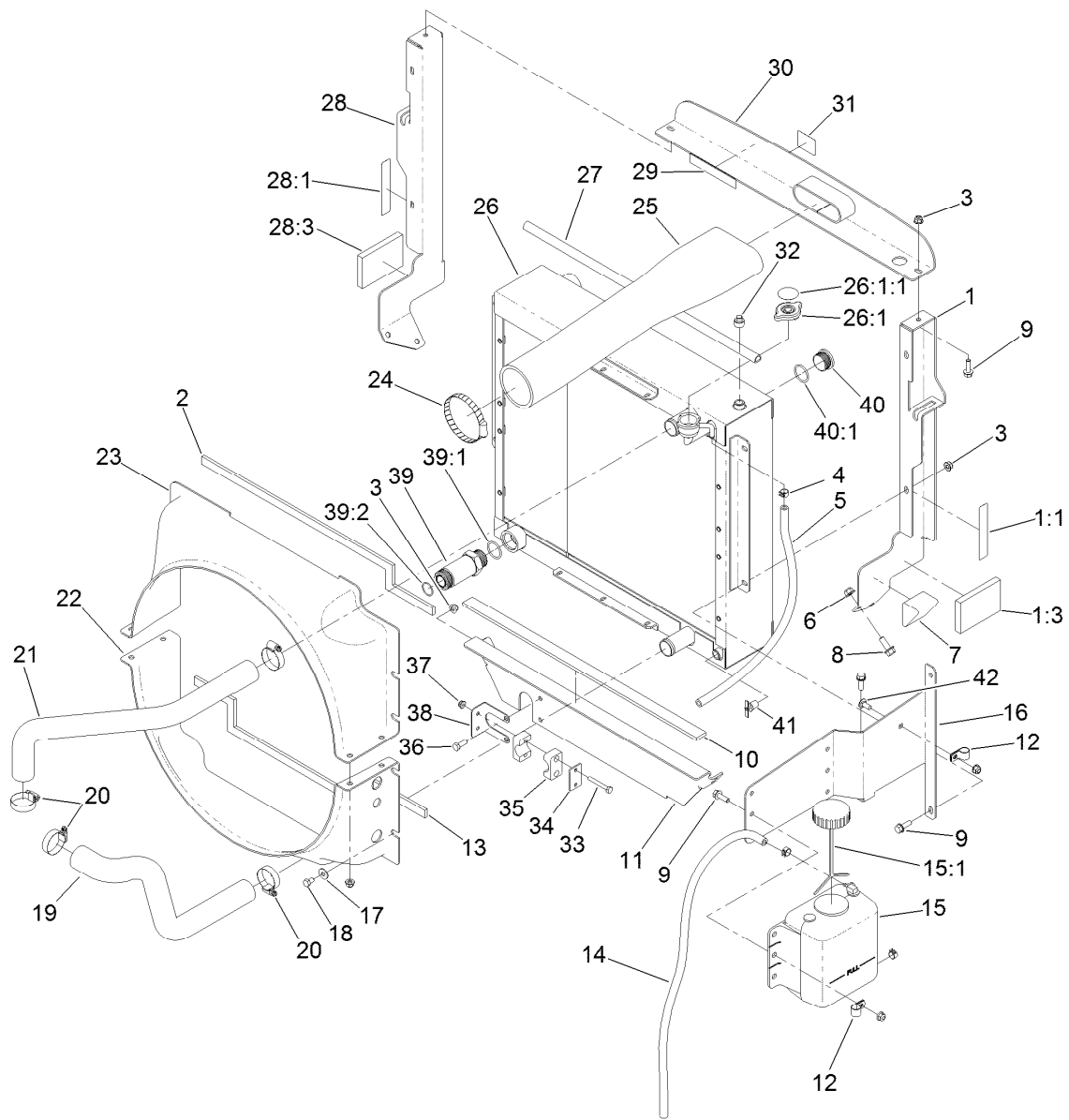
<i>Ref.</i>	<i>Part Number</i>	<i>Qty.</i>	<i>Description</i>
1	117-5663	8	Screw-HH
2	107-1413	8	Washer-Hardened
3	132-6120-03	1	Plate-Flywheel
4	99-5132	8	Bolt
5	87-7510	8	Washer-Flat
6	132-6121	1	Coupling-Flywheel
7	120-4066-03	2	Mount-Motor, Front
8	33114-020	2	Screw-HH
9	3253-4	2	Washer-Lock
10	121-5636	1	Tab-Harness
11	48-9590	18	Washer-Lock
12	33115-025	16	Screw-HH
13	104-8301	12	Nut-HF, NI

<i>Ref.</i>	<i>Part Number</i>	<i>Qty.</i>	<i>Description</i>
14	63-7400	4	Washer-Rebound
15	53-9682	4	Mount-Engine
16	120-4068-03	1	Mount-Motor
17	323-5	8	Screw-HH
18	323-14	4	Screw-HH
19	104-8300	2	Nut-HF, NI
20	33115-020	3	Screw-HH
21	127-2774	1	Bracket-Harness, RH
22	3255-9	2	Washer-Lock
23	3230-2	2	Bolt-CARR
24	127-3722-03	1	Mount-Motor
25	127-2773	1	Bracket-Harness, LH
26	3290-378	4	Tie-Cable



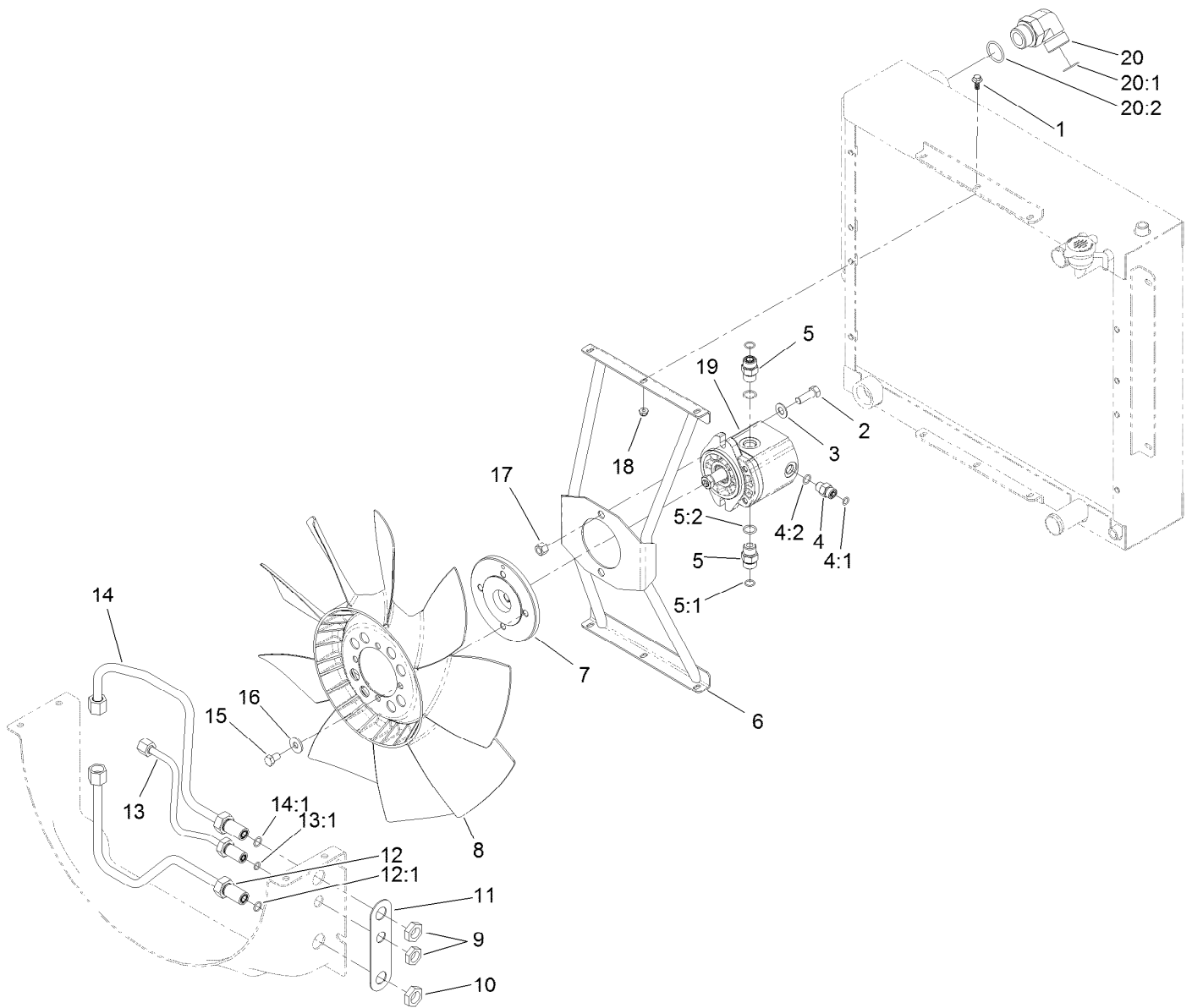
Radiator Assembly

Ref.	Part Number	Qty.	Description	Ref.	Part Number	Qty.	Description
1	121-1479	1	LH Radiator Support ASM	19	121-1746	1	Hose-Radiator, Lower
1:1	93-7272	1	Decal-Warning	20	2412-111	4	Clamp
1:3	100-2196	1	Pad-Foam	21	121-1747	1	Hose-Radiator, Upper
2	121-1684	1	Foam-Radiator	22	121-1517	1	Shroud-Radiator, Lower
3	104-8300	15	Nut-HF, NI	23	121-1515	1	Shroud-Radiator, Upper
4	92-2379	3	Clamp-Hose	24	2412-110	1	Clamp-Band/Screw
5	110-4112	1	Hose-Fuel	25	121-1474	1	Hose-Inlet, Air Cleaner
6	104-8301	6	Nut-HF, NI	26	132-6161	1	Radiator/Oil Cooler
7	93-5954	2	Plug-Foam	26:1	115-7766	1	Cap-Radiator
8	3234-11	6	Screw-HHF	26:1:1	106-6755	1	Decal-Cap, Radiator
9	3234-29	12	Screw-HHF	27	114-3828	1	Seal-Bulb
10	104-2226	1	Strip-Foam	28	121-1478	1	RH Radiator Support ASM
11	120-8968-03	1	Bracket-Hose	28:1	93-7272	1	Decal-Warning
12	92-6064	2	Clamp-R	28:3	100-2196	1	Pad-Foam
13	121-1685	1	Foam-Radiator, Lower	29	93-7272	1	Decal-Warning
14	110-9662	1	Hose-Fuel	30	136-4364-03	1	Bracket-Intake
15	120-5571	1	Coolant Reservoir ASM	31	117-4765	1	Decal-Starting Fluid
15:1	87-7050	1	Cap-Reservoir	32	281-13	1	Plug-Pipe
16	130-0603-03	1	Bracket-Mount, Bottle	33	321-11	2	Screw-HH
17	3256-3	8	Washer-Flat	34	114-4902	1	Plate-Cover
18	322-1	8	Screw-HH	35	114-4901	1	Clamp



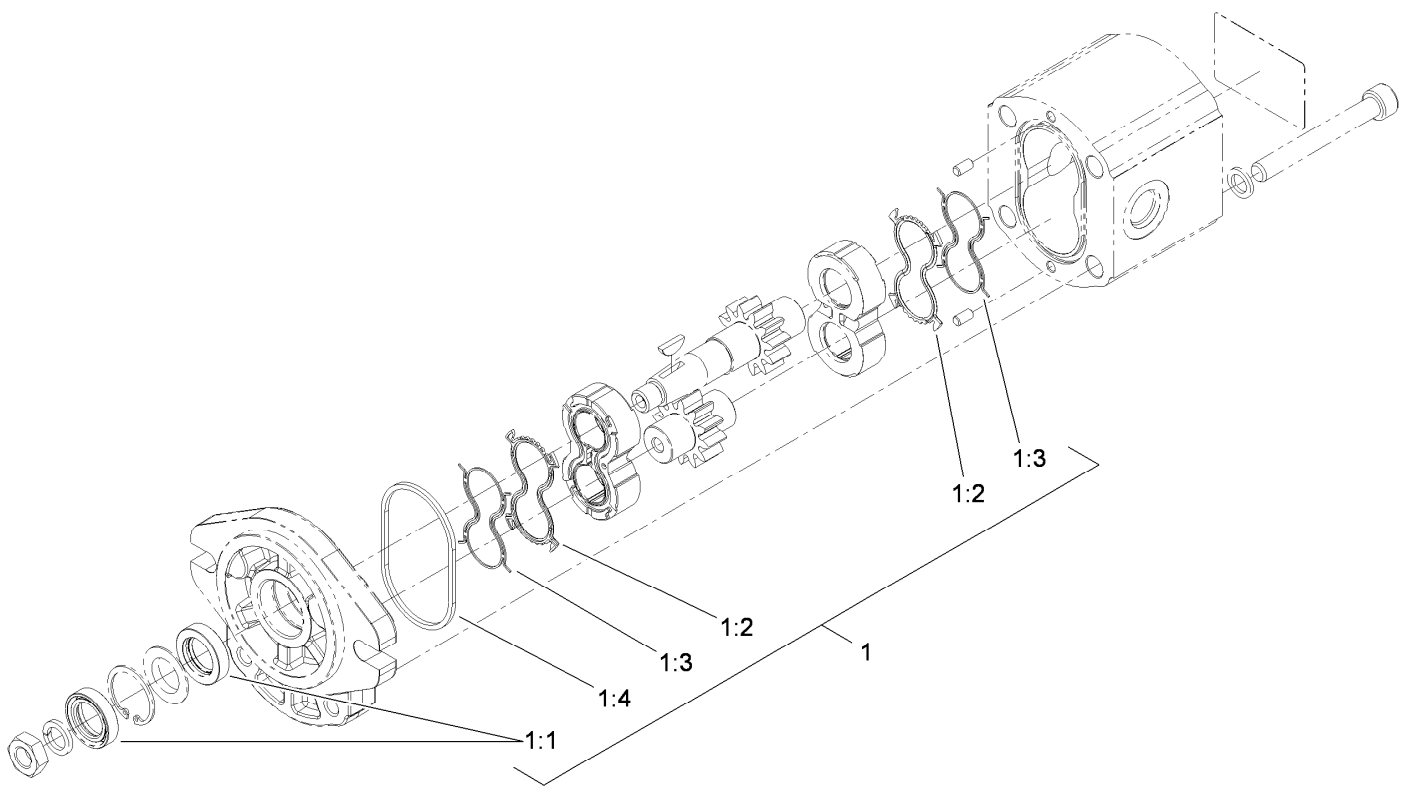
Radiator Assembly (continued)

<i>Ref.</i>	<i>Part Number</i>	<i>Qty.</i>	<i>Description</i>	<i>Ref.</i>	<i>Part Number</i>	<i>Qty.</i>	<i>Description</i>
36	322-4	2	Screw-HH	39:2	340-65	1	O-Ring
37	104-7201	2	Nut-HF	40	106-2030	1	Plug-Hex, Hollow
38	120-8984	1	Bracket-Clamp	40:1	237-146	1	O-Ring
39	100-5565	1	Fitting-STR	41	304-46	1	Draincock
39:1	237-146	1	O-Ring	42	3230-23	1	Screw-CARR



Fan Mounting and Hardlines Assembly

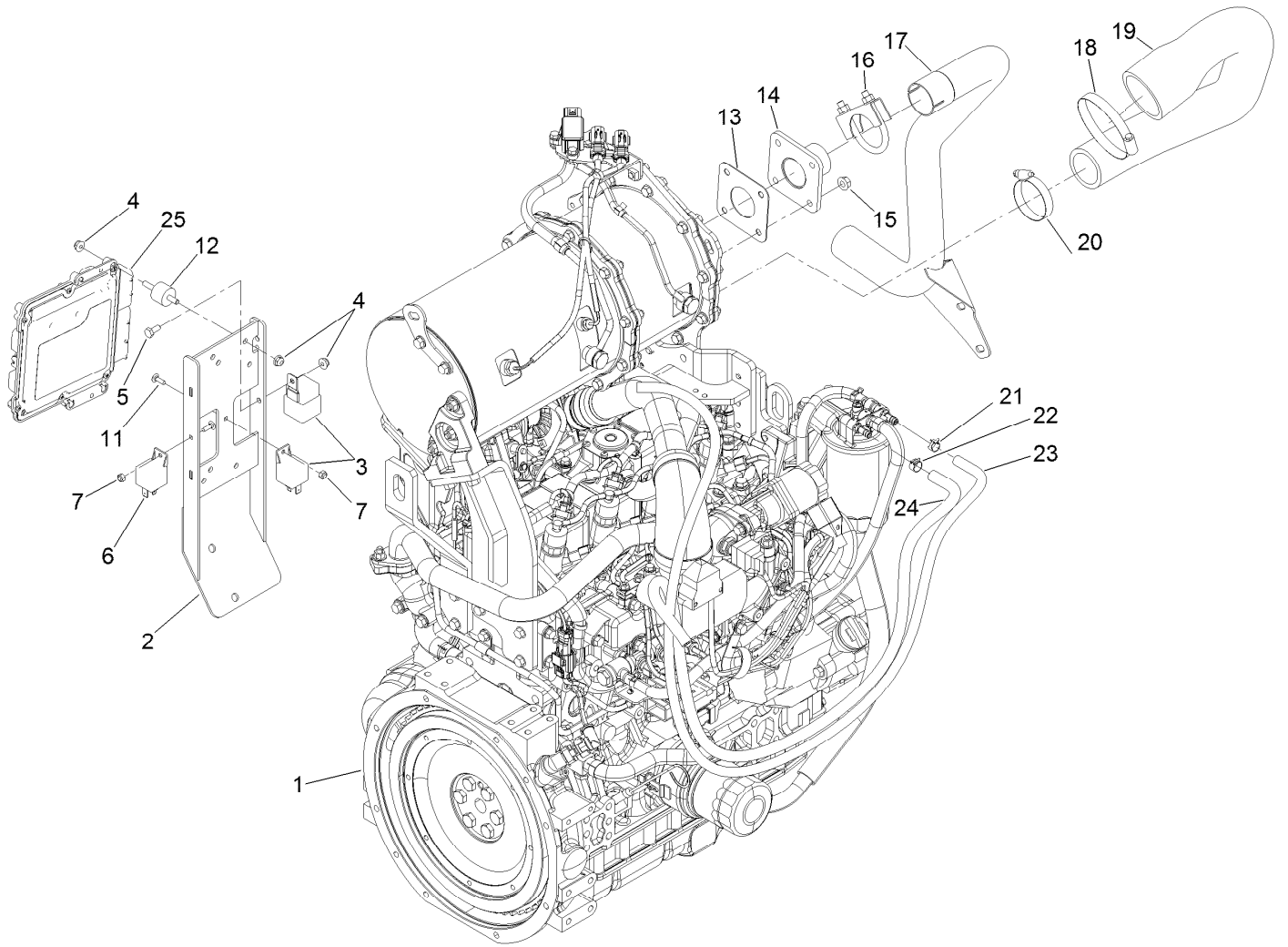
Ref.	Part Number	Qty.	Description	Ref.	Part Number	Qty.	Description
1	99-6810	6	Screw-HHF	12	121-1554	1	Tube-HYD
2	324-5	2	Screw-HH	12:1	237-30	1	O-Ring
3	3256-25	2	Washer-Flat	13	121-1555	1	Tube ASM
4	340-2	1	Fitting-Straight	13:1	237-22	1	O-Ring
4:1	237-22	1	O-Ring	14	121-1553	1	Tube-HYD
4:2	237-42	1	O-Ring	14:1	237-30	1	O-Ring
5	340-4	2	Fitting-Straight	15	115-8486	4	Screw-HH
5:1	237-30	1	O-Ring	16	80-6990	4	Washer-Hardened
5:2	237-79	1	O-Ring	17	3296-48	2	Nut-Hex
6	120-8935-03	1	Bracket-Fan	18	104-7201	6	Nut-HF
7	117-2364	1	Hub-Fan	19	117-4769	1	HYD Motor ASM
8	114-3825	1	Fan	20	340-129	1	Fitting-Elbow, 90 DEG
9	340-70	1	Nut-Lock	20:1	237-146	1	O-Ring
10	340-127	2	Nut-Bulkhead	20:2	340-65	1	O-Ring
11	121-1518	1	Shim-Support				



Hydraulic Motor Assembly No. 117-4769

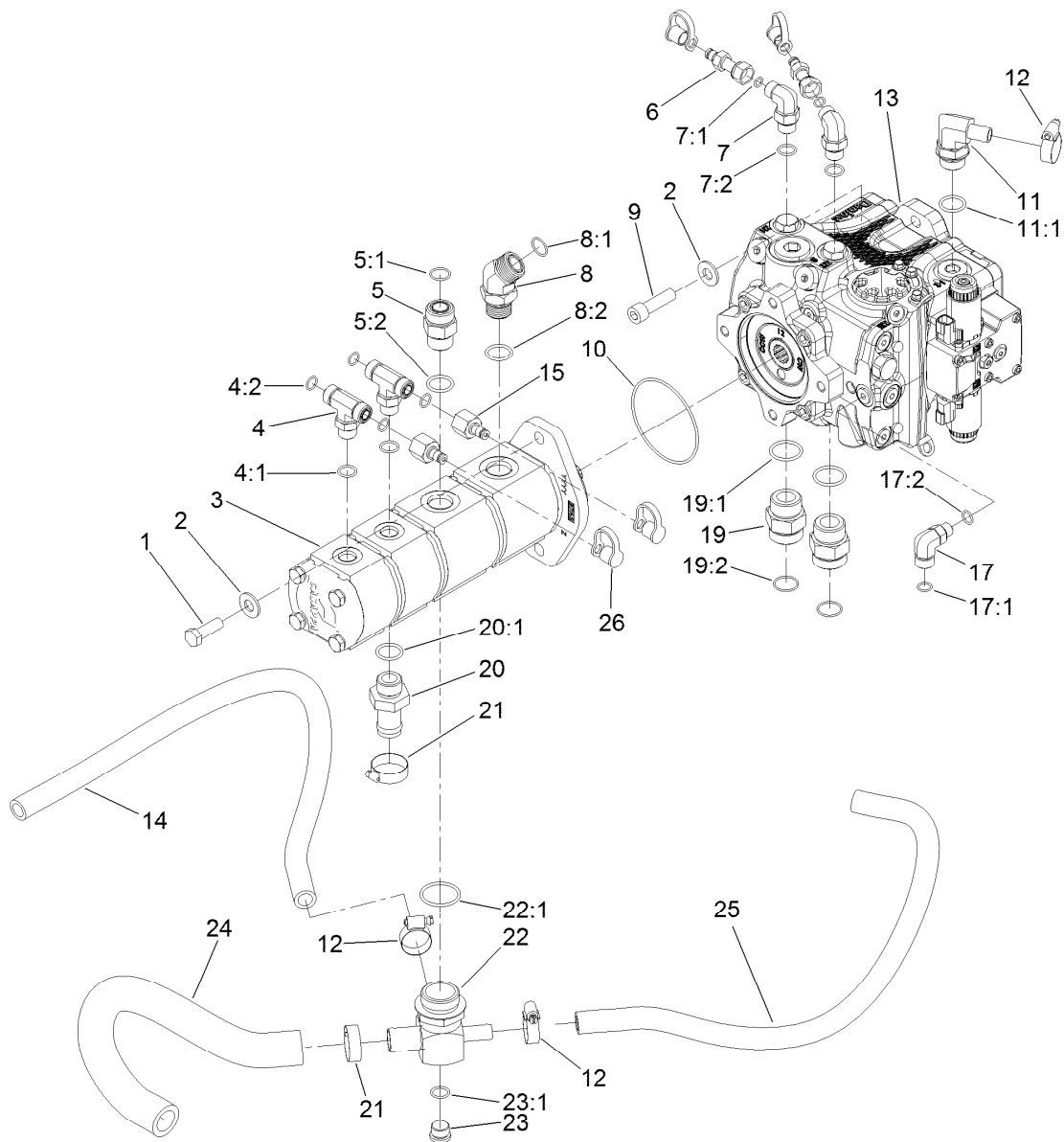
<i>Ref.</i>	<i>Part Number</i>	<i>Qty.</i>	<i>Description</i>
1	115-4110	1	Seal Kit
1:1		2	Seal-Shaft ●
1:2		2	Seal-Plate, Balancing ●
1:3		2	Seal-Anti Extrusion ●
1:4		2	O-Ring (Housing) ●

● Not serviced separately



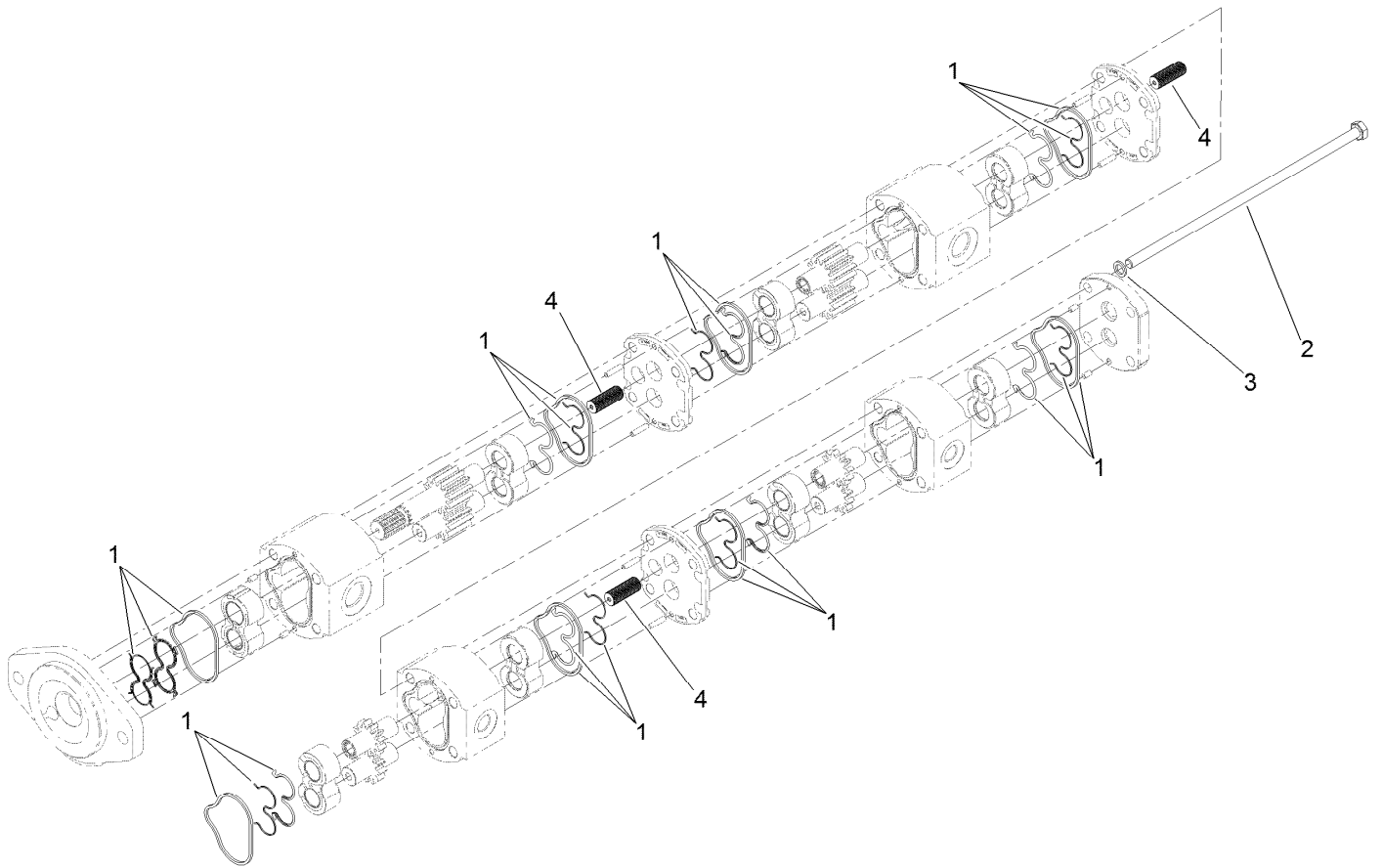
Engine and Controller Assembly

<i>Ref.</i>	<i>Part Number</i>	<i>Qty.</i>	<i>Description</i>	<i>Ref.</i>	<i>Part Number</i>	<i>Qty.</i>	<i>Description</i>
1	120-4111	1	Engine ASM	15	33004-00	4	Nut-HF
2	136-4430-03	1	Mount-Controller	16	18-2130	1	Clamp
3	99-7430	1	Relay-Mini	17	121-1613	1	Pipe-Exhaust
4	104-7201	9	Nut-HF	18	2412-110	1	Clamp-Band/Screw
5	321-3	1	Screw-HH	19	121-1475	1	Hose-Outlet, Air Cleaner
6	99-7435	2	Relay	20	2412-130	1	Clamp-Hose
7	3296-2	2	Nut-Lock, NI	21	2412-98	1	Clamp-Hose
11	1-807533	2	Bolt-CARR	22	92-2379	1	Clamp-Hose
12	132-1356	4	Mount-Isolator	23	115-2368	1	Hose-Fuel
13	121-3058	1	Gasket-Exhaust	24	110-4007	1	Hose-Fuel
14	121-3060	1	Flange-Exhaust	25	121-5592	1	Electronic Control Unit



Piston Pump and Gear Pump Assembly

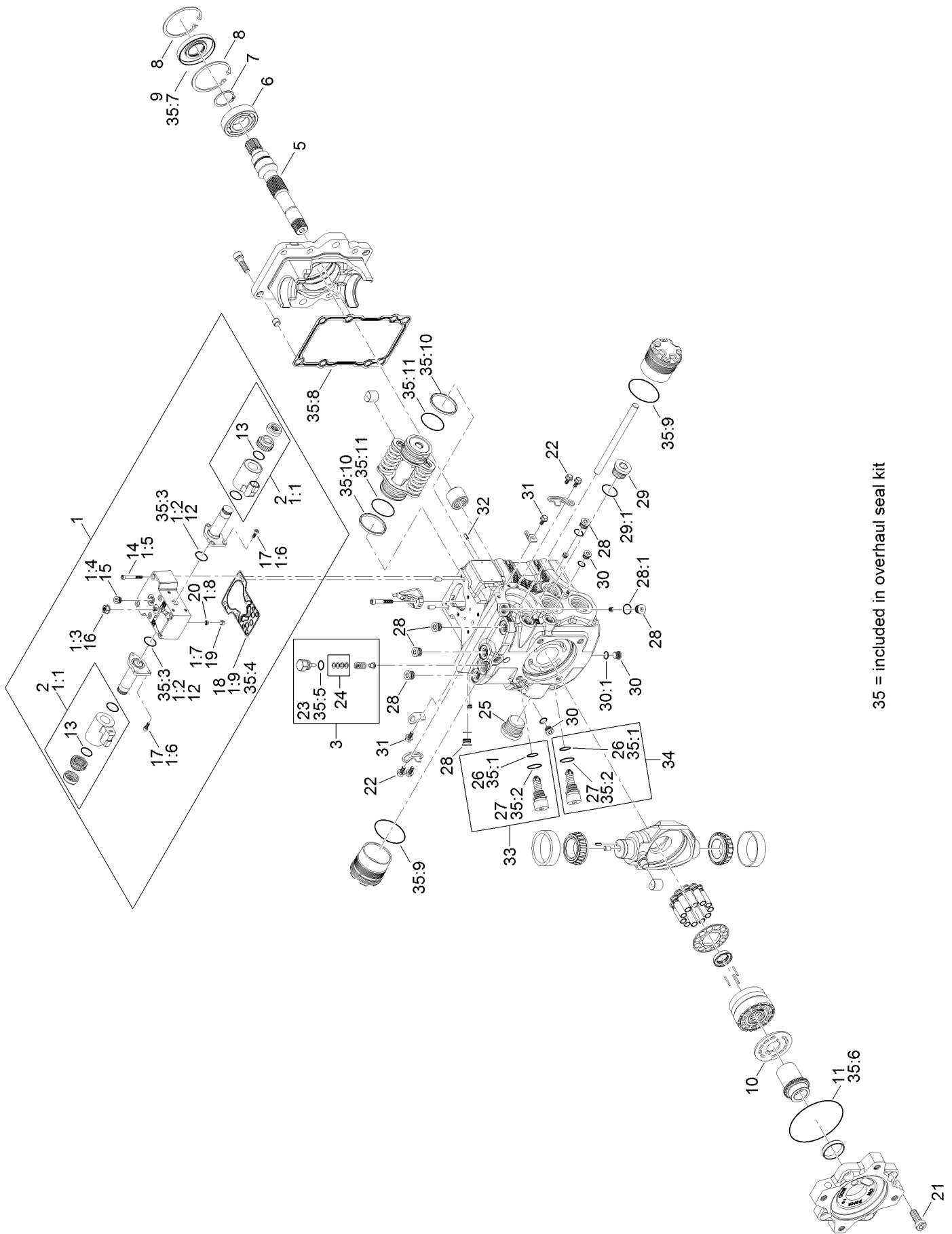
Ref.	Part Number	Qty.	Description	Ref.	Part Number	Qty.	Description
1	121-1525	2	Screw-HH	12	2412-129	3	Clamp-Hose
2	87-7270	4	Washer-Thrust	13	132-6100	1	Pump-Piston
3	120-8906	1	Pump-Gear, 4-Section	14	121-1647	1	Hose-HYD
4	340-157	2	Fitting-HYD, Tee	15	100-5616	2	Fitting
4:1	237-79	1	O-Ring	17	340-99	1	Fitting-HYD, 90 DEG
4:2	237-30	2	O-Ring	17:1	237-30	1	O-Ring
5	340-9	1	Fitting-STR	17:2	237-42	1	O-Ring
5:1	237-58	1	O-Ring	19	104-3797	2	Fitting-Straight
5:2	237-81	1	O-Ring	19:1	237-146	1	O-Ring
6	86-5480	2	Nipple-Test	19:2	340-65	1	O-Ring
7	340-18	2	Fitting-HYD, 90 DEG	20	99-3017	1	Fitting
7:1	237-79	1	O-Ring	20:1	237-81	1	O-Ring
7:2	237-22	1	O-Ring	21	2412-34	2	Clamp-Hose
8	100-5530	1	Fitting-45 DEG	22	121-1682	1	Fitting-Tee
8:1	237-58	1	O-Ring	22:1	237-101	1	O-Ring
8:2	237-81	1	O-Ring	23	353-988	1	Plug-Hex
9	131-0661	2	Screw-HSH	23:1	237-79	1	O-Ring
10	107-9447	1	O-Ring	24	120-8815	1	Hose-Suction
11	136-4439	1	Fitting-HYD, 90	25	120-9050	1	Hose-HYD
11:1	237-81	1	O-Ring	26	354-79	4	Cap-Dust



Four-Section Gear Pump Assembly No. 120-8906

<i>Ref.</i>	<i>Part Number</i>	<i>Qty.</i>	<i>Description</i>
1	115-3776	1	Seal Kit
2	115-3775	4	Bolt
3	121-1722	4	Washer
4	120-6284	3	Hub-Connecting

Hydraulic Pump Assembly No. 132-6100

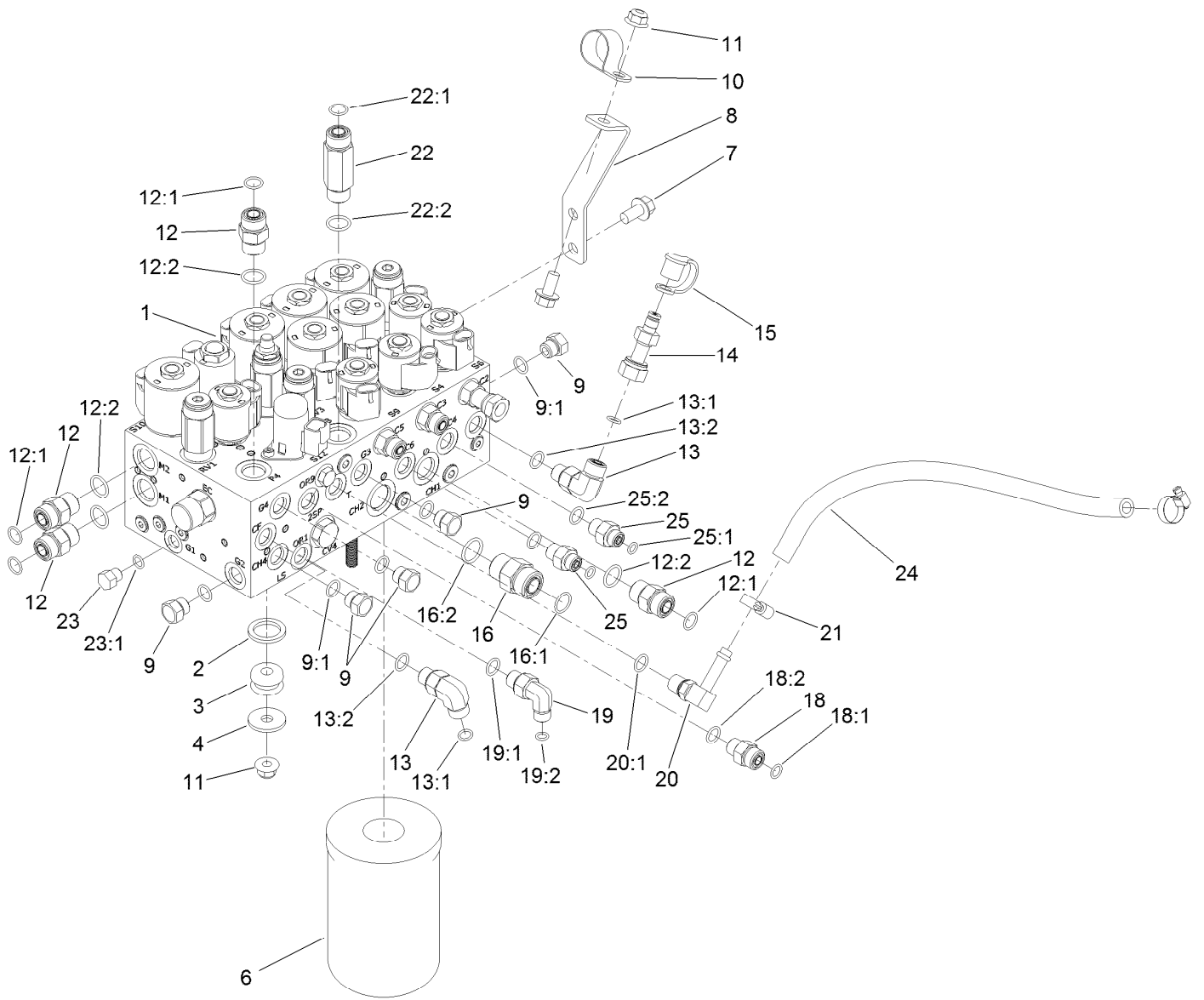


35 = included in overhaul seal kit

Hydraulic Pump Assembly No. 132-6100 (continued)

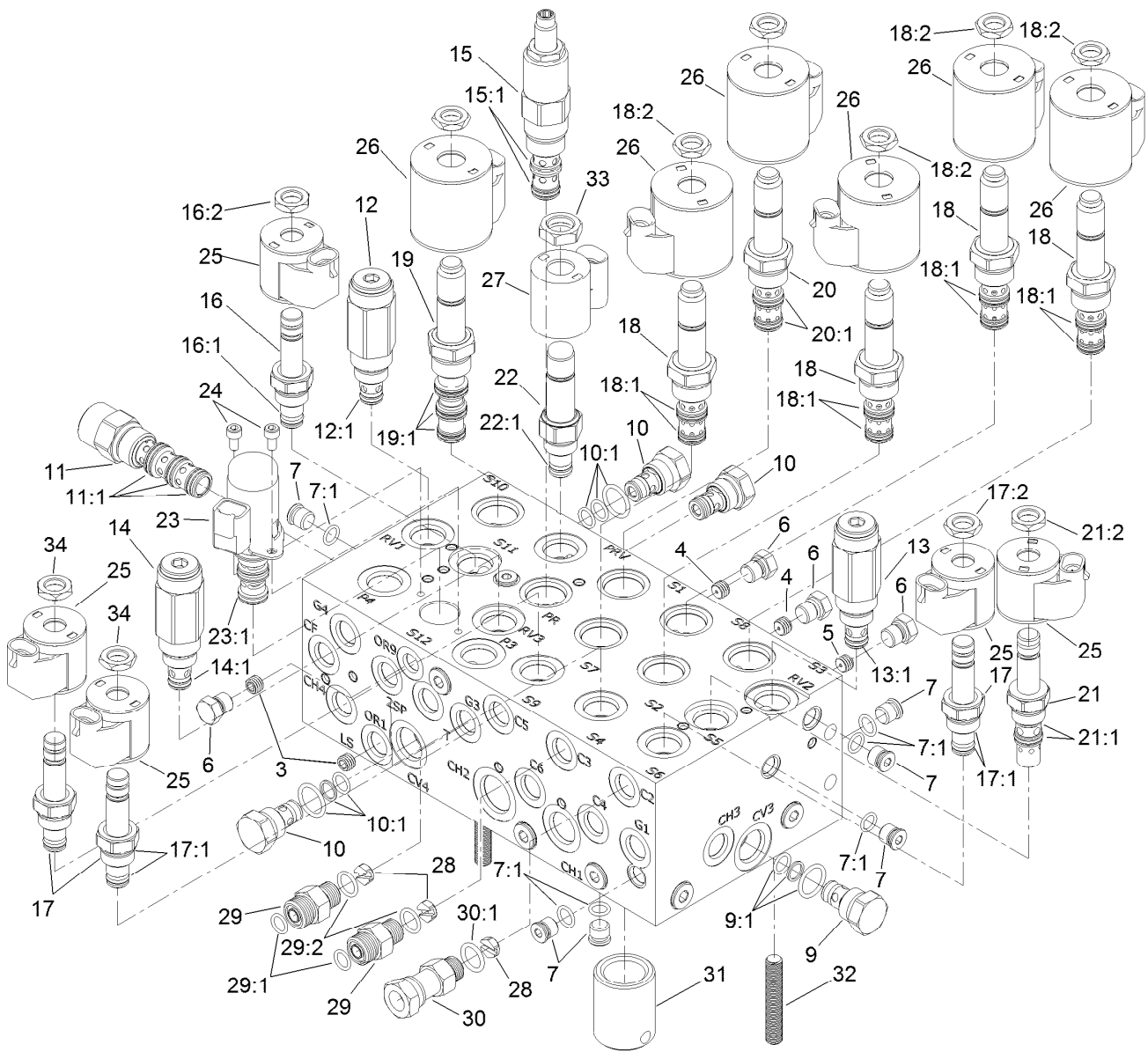
<i>Ref.</i>	<i>Part Number</i>	<i>Qty.</i>	<i>Description</i>	<i>Ref.</i>	<i>Part Number</i>	<i>Qty.</i>	<i>Description</i>
1	132-6203	1	Control Kit	22	125-5270	4	Screw
1:1	132-6204	2	Coil Kit	23	125-5298	1	O-Ring
1:2	125-5288	2	O-Ring	24	92-1353	1	Shim Kit
1:3	125-5273	1	Nut-Seal	25	125-5301	1	Plug
1:4	125-5302	1	Plug	26	75-0240	2	O-Ring
1:5	125-5274	6	Screw	27	84-0560	2	O-Ring
1:6	125-5272	6	Screw	28	69-3080	6	Plug
1:7	125-5269	1	Ring-Locking	28:1		1	O-Ring ●
1:8	125-5266	1	Screen	29	69-3130	1	Plug
1:9	125-5283	1	Gasket-Control	29:1		1	O-Ring ●
2	132-6204	2	Coil Kit	30	75-0170	3	Plug-Thread, Straight
3	136-4397	1	Charge Relief Kit	30:1	92-8777	1	O-Ring
5	136-4399	1	Shaft	31	125-5270	2	Screw
6	75-0460	1	Bearing-Ball	32	110-6485	1	Pin-Slotted
7	125-5280	1	Ring-Retaining	33	136-4393	1	Valve-Relief, High Pressure
8	131-8616	2	Ring-Retaining	34	136-4392	1	Valve-Relief, High Pressure
9	127-6214	1	Seal-Lip	35	132-6205	1	Overhaul Seal Kit
10	136-4398	1	Valve Plate	35:1	75-0240	2	O-Ring
11	132-6206	1	O-Ring	35:2	84-0560	2	O-Ring
12	125-5288	2	O-Ring	35:3	125-5288	2	O-Ring
13	131-7388	2	O-Ring	35:4	125-5283	1	Gasket-Control
14	125-5274	6	Screw	35:5	125-5298	1	O-Ring
15	125-5302	1	Plug	35:6	132-6206	1	O-Ring
16	125-5273	1	Nut-Seal	35:7	127-6214	1	Seal-Lip
17	125-5272	6	Screw	35:8		1	Gasket ●
18	125-5283	1	Gasket-Control	35:9		2	O-Ring ●
19	125-5269	1	Ring-Locking	35:10		2	Piston Ring ●
20	125-5266	1	Screen	35:11		2	O-Ring ●
21	125-5282	4	Screw				

● Not serviced separately



Combination Manifold Assembly

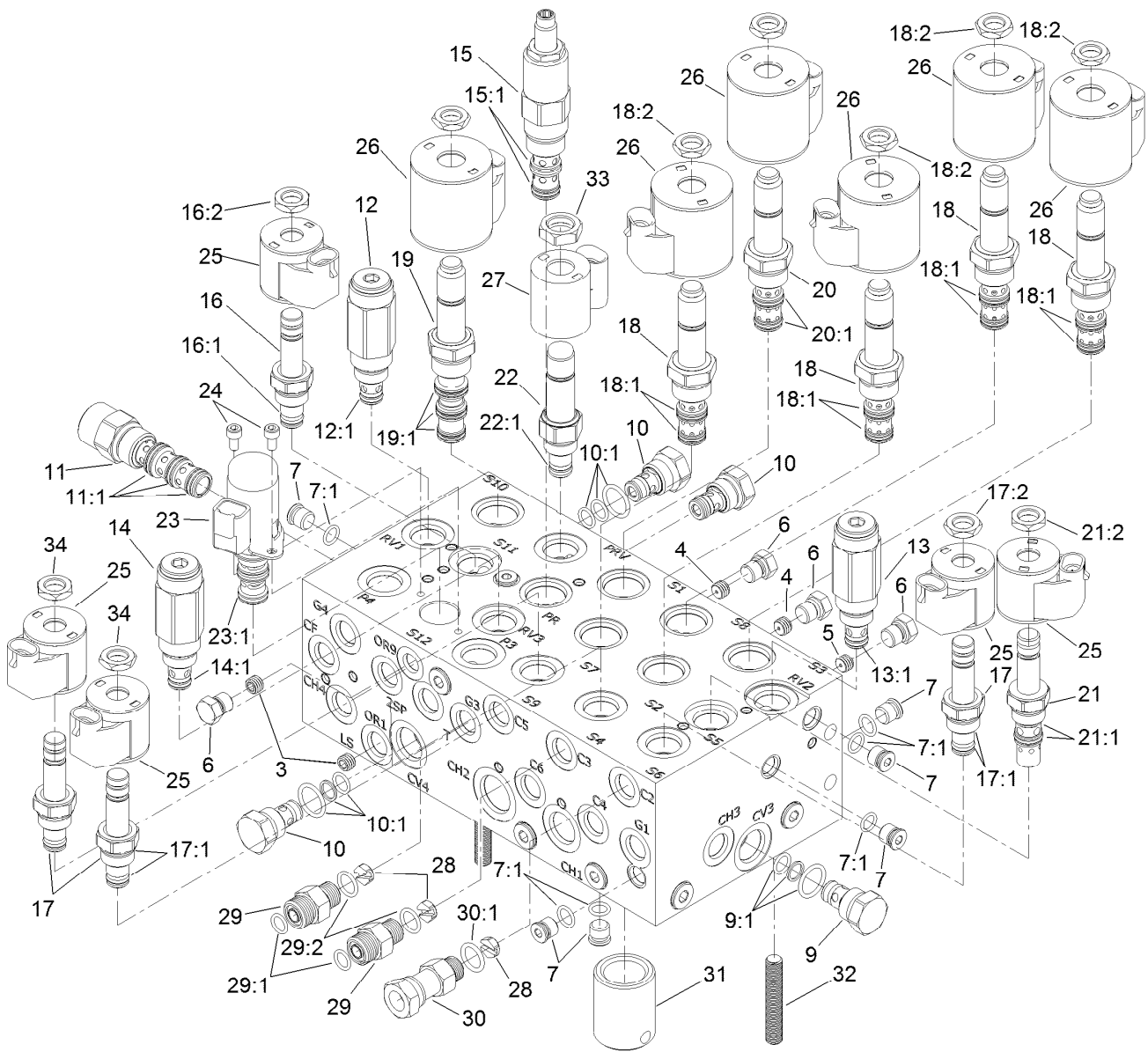
Ref.	Part Number	Qty.	Description	Ref.	Part Number	Qty.	Description
1	120-8842	1	HYD Combination Manifold ASM	16:1	237-65	1	O-Ring
2	92-2650	3	Spacer-Clutch	16:2	237-80	1	O-Ring
3	63-9750	3	Mount	18	340-2	1	Fitting-Straight
4	63-8410	3	Washer	18:1	237-22	1	O-Ring
6	75-1310	1	Filter-HYD	18:2	237-42	1	O-Ring
7	3234-1	3	Screw-HHF	19	340-82	1	Fitting-Elbow, 90 DEG
8	121-1542	1	Plate-Mount, Hose	19:1	237-42	1	O-Ring
9	353-508	5	Plug-HH	19:2	237-21	1	O-Ring
9:1	237-42	1	O-Ring	20	100-4887	1	Fitting-Elbow, 90
10	2412-126	1	R-Clamp	20:1	237-42	1	O-Ring
11	104-8301	4	Nut-HF, NI	21	2412-36	2	Clamp-Hose
12	340-4	4	Fitting-Straight	22	119-4854	1	Fitting-STR
12:1	237-30	1	O-Ring	22:1	237-30	1	O-Ring
12:2	237-79	1	O-Ring	22:2	237-79	1	O-Ring
13	340-77	2	Fitting-Elbow, 90 DEG	23	353-512	1	Plug
13:1	237-22	1	O-Ring	23:1	237-78	1	O-Ring
13:2	237-42	1	O-Ring	24	87-5730	1	Hose
14	86-5480	1	Nipple-Test	25	340-1	2	Fitting-Straight
15	354-79	1	Cap-Dust	25:1	237-21	1	O-Ring
16	340-7	1	Fitting-Straight	25:2	237-42	1	O-Ring



Combination Manifold Assembly No. 120-8842

Ref.	Part Number	Qty.	Description	Ref.	Part Number	Qty.	Description
3	136-4363	2	Orifice-0.028	15	127-3663	1	Valve-Pressure Reducing
4	112-6538	2	Orifice (.063 Inch)	15:1	105-9154	1	Seal Kit
5	110-8883	1	Plug-Orifice (0.040)	16	107-7516	1	Solenoid Valve ASM
6	117-0115	4	Plug	16:1	105-9156	1	Seal Kit
7	353-990	14	Plug ASM	16:2	110-2634	1	Nut-Coil
7:1	237-78	1	O-Ring	17	112-9206	3	Solenoid Valve ASM
9	114-2873	1	Check Valve ASM	17:1	105-9156	1	Seal Kit
9:1	105-9156	1	Seal Kit	17:2	110-2634	1	Nut-Coil
10	105-9321	3	Check Valve ASM	18	115-5400	4	Solenoid Valve ASM
10:1	105-9156	1	Seal Kit	18:1	107-7813	1	Seal Kit
11	115-5409	1	Compensator ASM	18:2	110-2634	1	Nut-Coil
11:1	110-8908	1	Spool Valve Seal Kit	19	115-3023	1	Solenoid Valve ASM
12	125-7560	1	Relief Valve ASM	19:1	110-8908	1	Spool Valve Seal Kit
12:1	105-9156	1	Seal Kit	20	125-7556	1	Solenoid Valve ASM
13	125-7559	1	Relief Valve ASM	20:1	107-7813	1	Seal Kit
13:1	105-9156	1	Seal Kit	21	115-5405	1	Solenoid Valve ASM
14	125-7558	1	Relief Valve ASM	21:1	115-5413	1	Seal Kit
14:1	105-9156	1	Seal Kit	21:2	110-2634	1	Nut-Coil

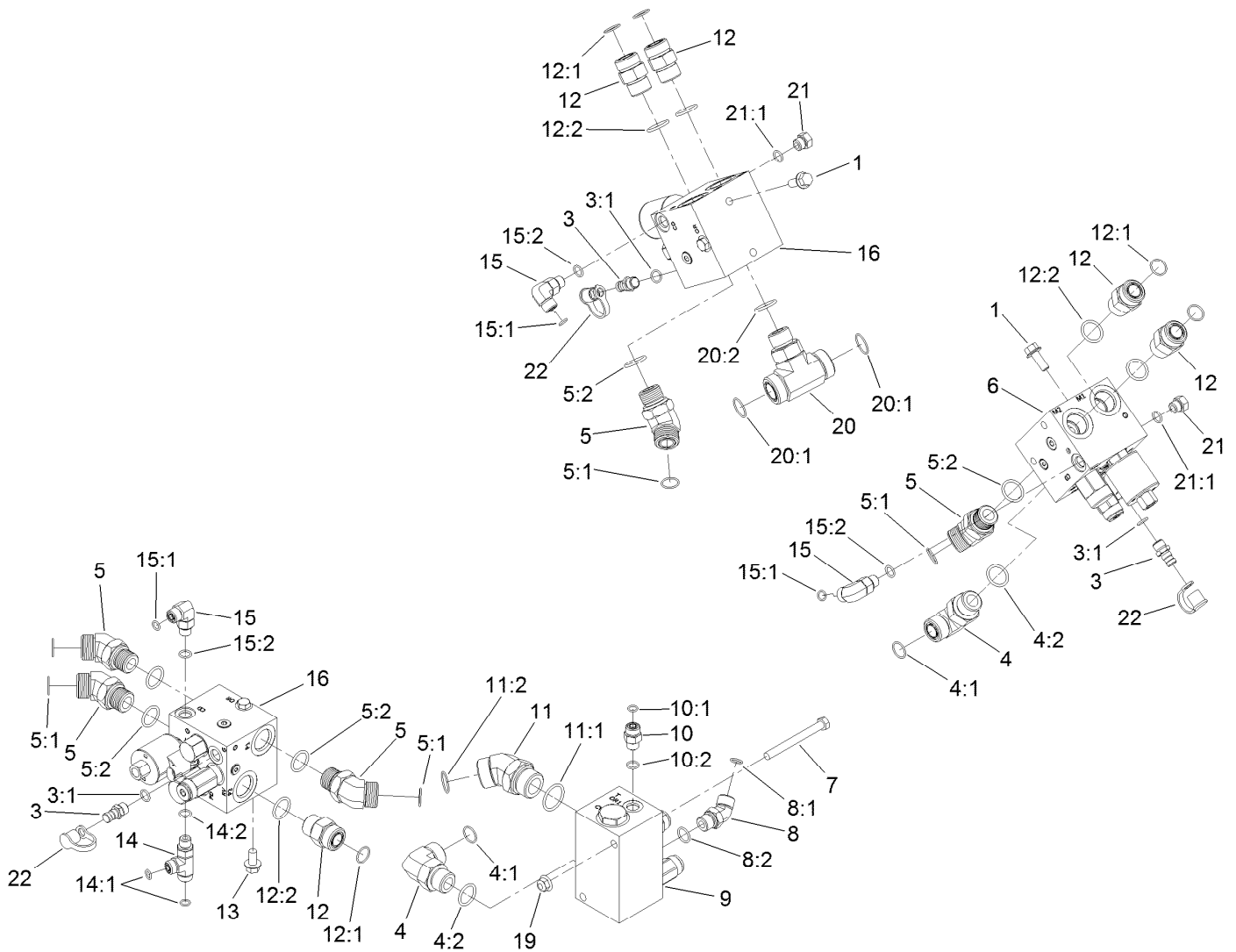
● Not illustrated



Combination Manifold Assembly No. 120-8842 (continued)

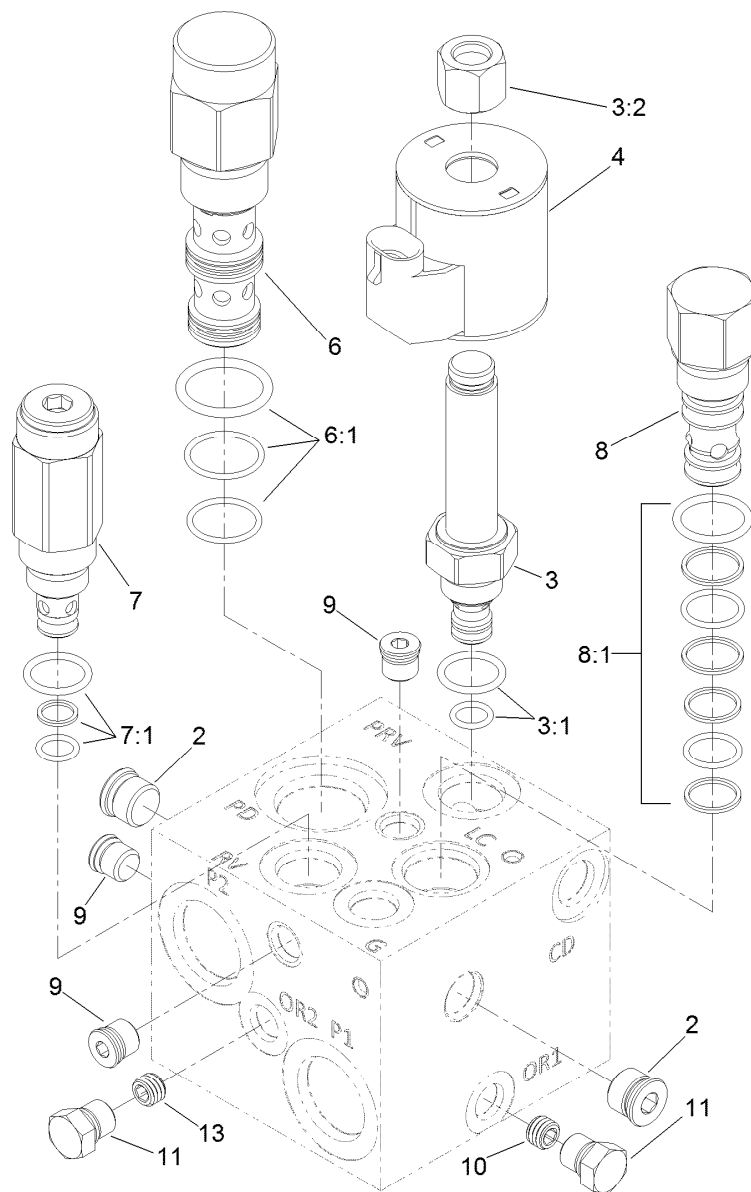
Ref.	Part Number	Qty.	Description	Ref.	Part Number	Qty.	Description
22	125-7555	1	Proportional Relief Valve ASM	29	340-2	2	Fitting-Straight
22:1	110-6316	1	Seal Kit	29:1	237-22	1	O-Ring
23	125-7554	1	Valve-Solenoid	29:2	237-42	1	O-Ring
23:1	125-7561	1	Seal Kit ●	30	104-3779	1	Connector-Swivel, Straight
24	115-8733	2	Screw-HSH	30:1	237-42	1	O-Ring
25	110-0497	5	Coil-Solenoid	31	125-7551	1	Nipple-Filter
26	110-6344	6	Coil-12V, DC	32	130-2661	3	Stud-Manifold
27	125-7553	1	E-Coil, 12Vdc	33	125-7550	1	Nut-Coil
28	125-7552	3	Orifice-Check, .070 DIA	34	110-2634	11	Nut-Coil

● Not illustrated



Manifold Block Assembly

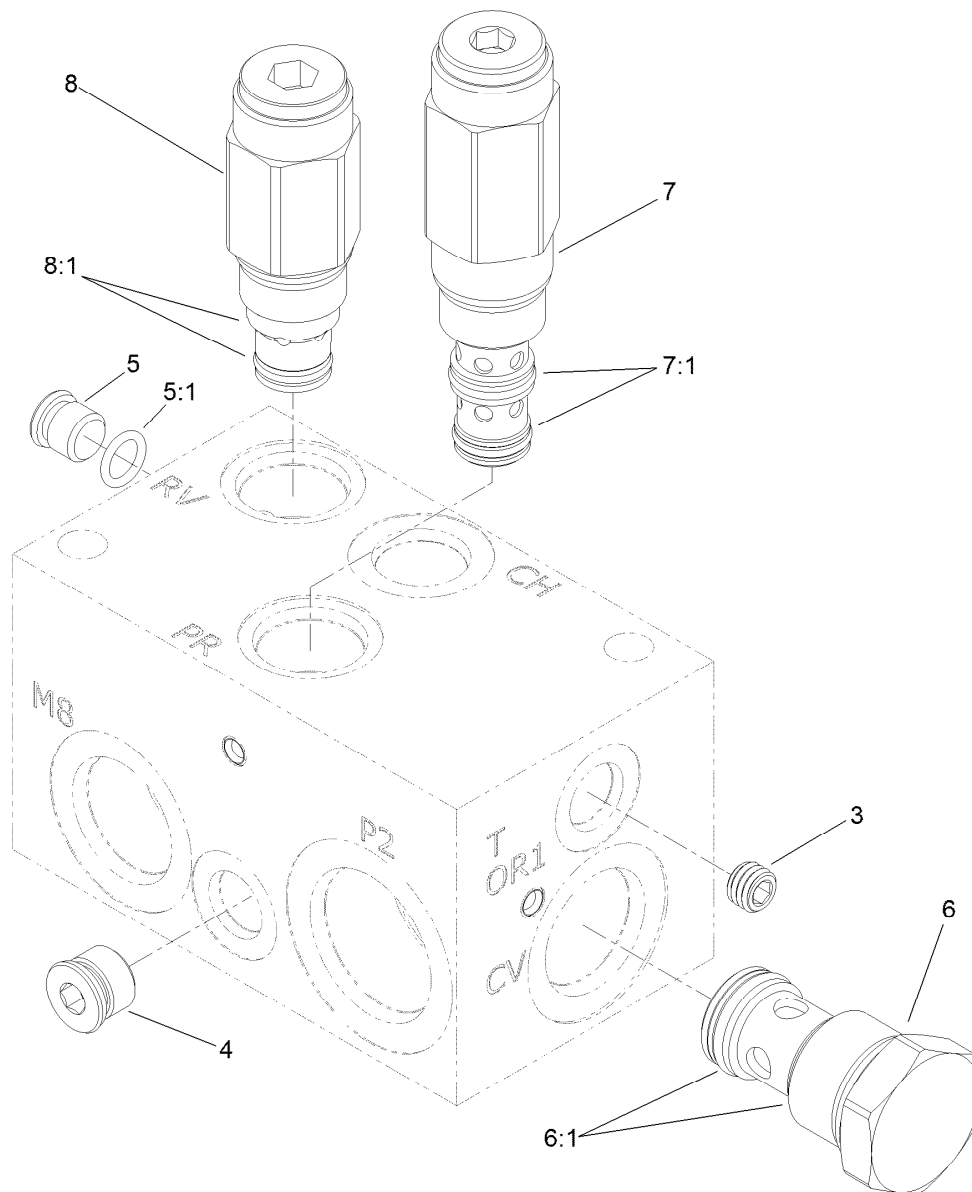
Ref.	Part Number	Qty.	Description	Ref.	Part Number	Qty.	Description
1	3234-11	4	Screw-HHF	11:2	340-65	1	O-Ring
3	59-7410	3	Fitting-Diagnostic	12	340-9	5	Fitting-STR
3:1	237-42	1	O-Ring	12:1	237-58	1	O-Ring
4	340-142	2	Fitting-Elbow, 90 DEG	12:2	237-81	1	O-Ring
4:1	237-58	1	O-Ring	13	3234-1	2	Screw-HHF
4:2	237-81	1	O-Ring	14	340-86	1	Fitting-Tee
5	100-5530	5	Fitting-45 DEG	14:1	237-22	2	O-Ring
5:1	237-58	1	O-Ring	14:2	237-42	1	O-Ring
5:2	237-81	1	O-Ring	15	340-77	3	Fitting-Elbow, 90 DEG
6	131-1249	1	Manifold-PTO, Left	15:1	237-22	1	O-Ring
7	323-42	2	Screw-HH	15:2	237-42	1	O-Ring
8	340-101	1	Fitting-HYD, 45 DEG	16	131-1248	2	Center And Right PTO Manifold ASM
8:1	237-30	1	O-Ring	19	104-8301	2	Nut-HF, NI
8:2	237-79	1	O-Ring	20	120-8825	1	Fitting-Tee
9	121-1530	1	Manifold-Traction, Rear	20:1	340-65	2	O-Ring
10	340-2	1	Fitting-Straight	20:2	237-81	1	O-Ring
10:1	237-22	1	O-Ring	21	353-508	2	Plug-HH
10:2	237-42	1	O-Ring	21:1	237-42	1	O-Ring
11	104-3509	1	Fitting-HYD, 45 DEG	22	354-79	3	Cap-Dust
11:1	237-146	1	O-Ring				



Left PTO Manifold Assembly No. 131-1249

Ref.	Part Number	Qty.	Description
2	112-9213	2	Plug
3	117-0227	1	Valve-Relief, Proportional
3:1	105-9156	1	Seal Kit
3:2	119-2160	1	Nut-Coil
4	110-6344	1	Coil-12V, DC
6	125-4327	1	Valve-Directional, Pilot
6:1	114-5515	1	Seal Kit
7	114-5512	1	Valve-Relief, 600 PSI
7:1	105-9156	1	Seal Kit ●
8	105-9153	1	Element-Logic, Vented
8:1	119-2159	1	Seal Kit ●
9	112-9212	3	Plug
10	117-8315	1	Orifice (.025 Inch)
11	117-0115	2	Plug
13	112-6538	1	Orifice (.063 Inch)

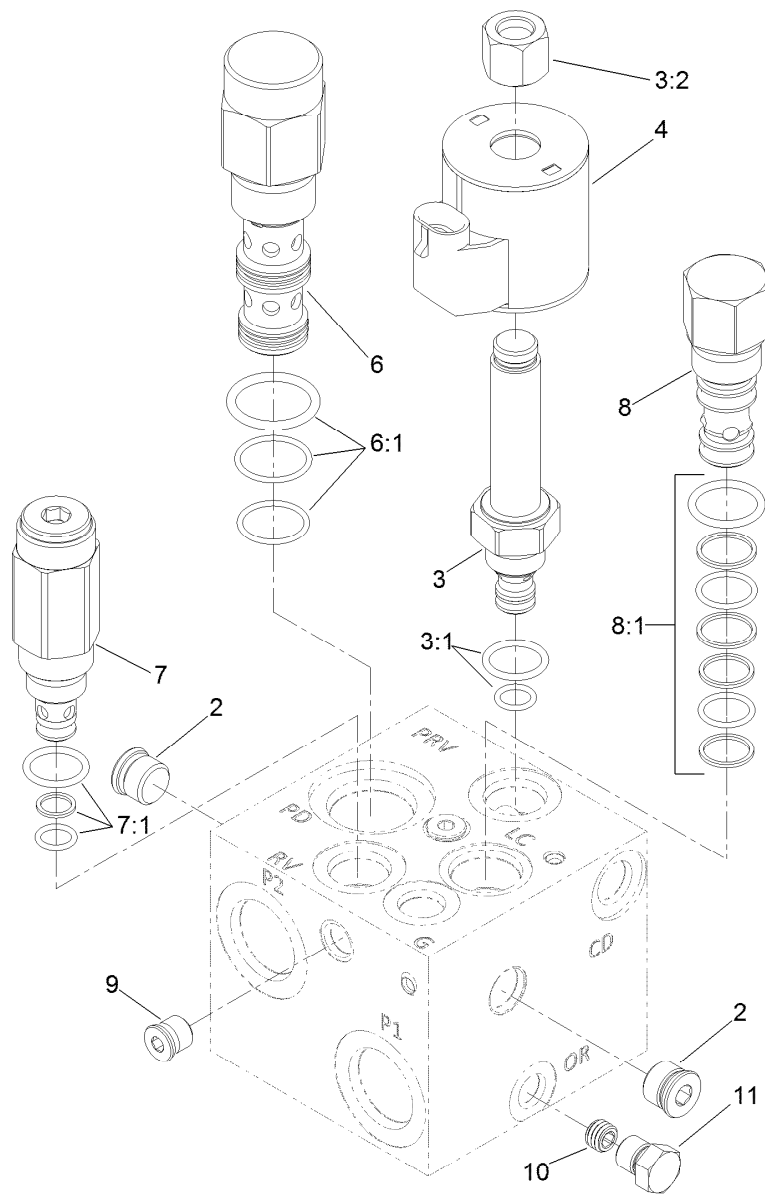
● Not illustrated



Rear Traction Manifold Assembly No. 121-1530

Ref.	Part Number	Qty.	Description
3	110-0495	1	Plug-Orifice (0.050 Inch)
4		1	Plug ●
5	353-990	1	Plug ASM
5:1	237-78	1	O-Ring
6	125-4328	1	Valve-Check
6:1	125-4336	1	Seal Kit
7	136-4362	1	Valve-Reducing
7:1	136-4361	1	Seal Kit
8	125-4331	1	Valve-Relief
8:1	110-6316	1	Seal Kit

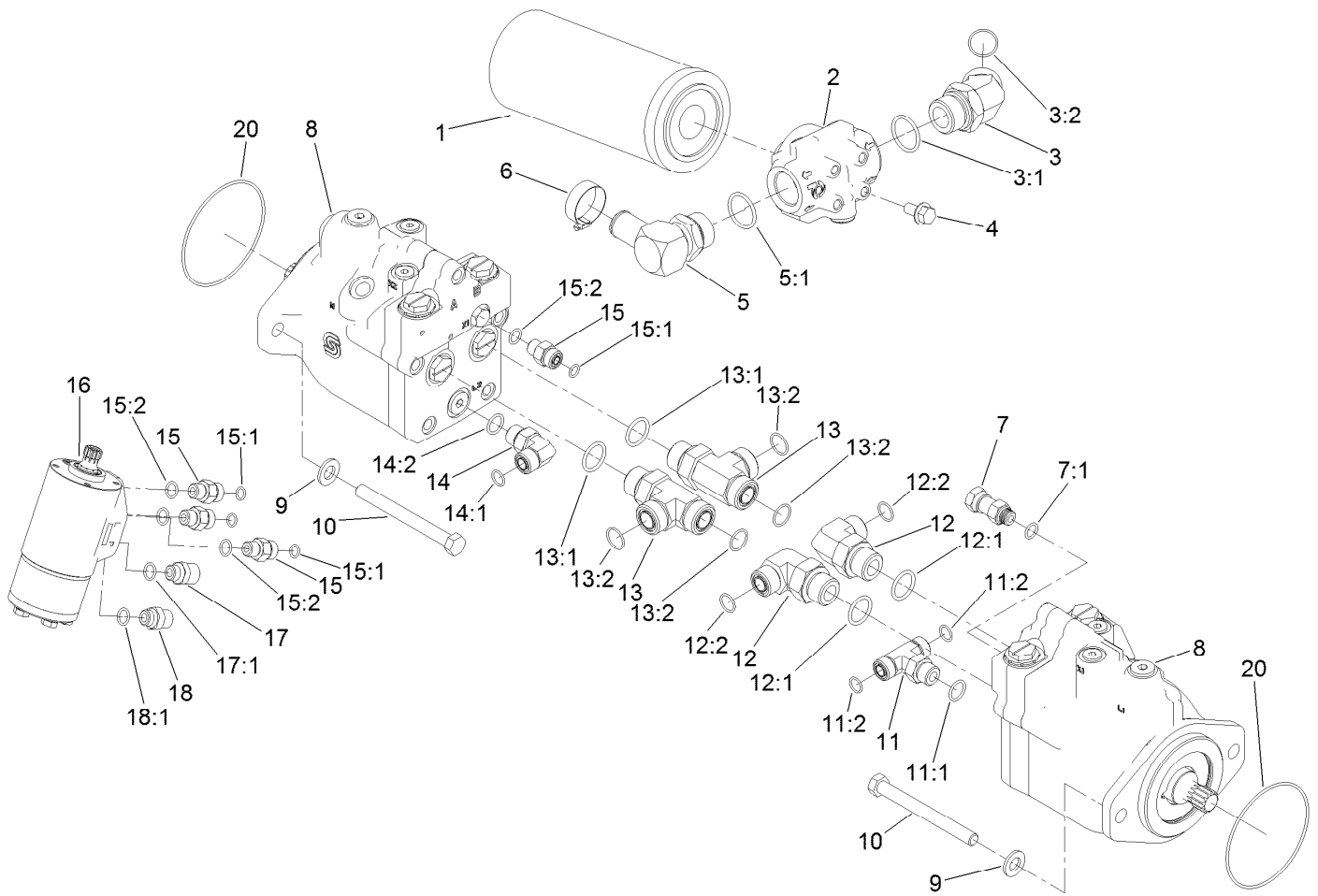
● Not serviced separately



Center and Right PTO Manifold Assembly No. 131-1248

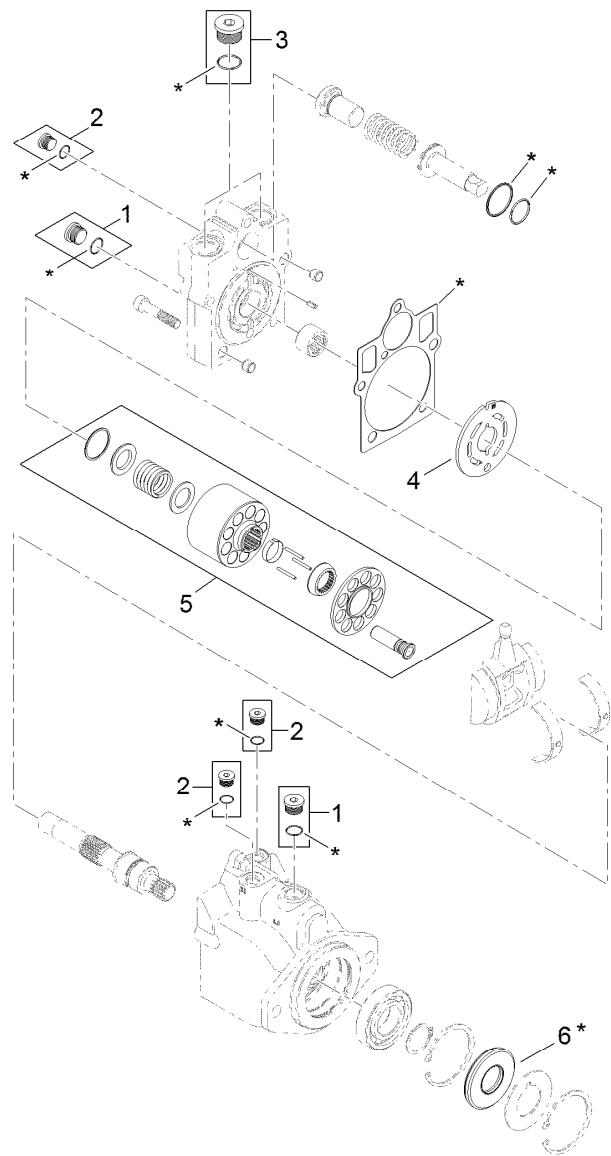
Ref.	Part Number	Qty.	Description
2	112-9213	2	Plug
3	117-0227	1	Valve-Relief, Proportional
3:1	105-9156	1	Seal Kit
3:2	119-2160	1	Nut-Coil
4	110-6344	1	Coil-12V, DC
6	125-4327	1	Valve-Directional, Pilot
6:1	114-5515	1	Seal Kit
7	114-5512	1	Valve-Relief, 600 PSI
7:1	105-9156	1	Seal Kit ●
8	105-9153	1	Element-Logic, Vented
8:1	119-2159	1	Seal Kit ●
9	112-9212	3	Plug
10	117-8315	1	Orifice (.025 Inch)
11	117-0115	1	Plug

● Not illustrated



Drive Motor, Steer Valve and Filter Head Assembly

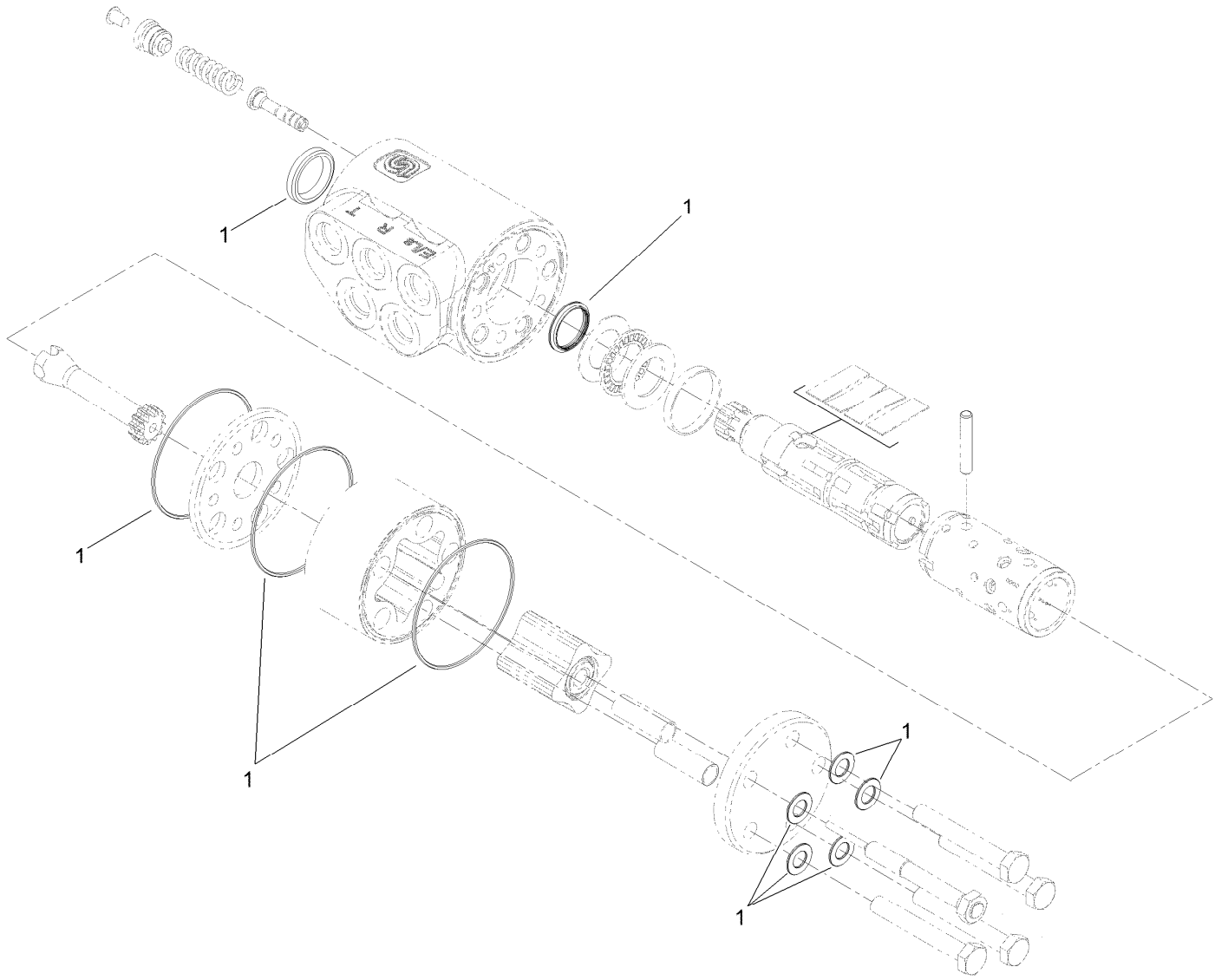
Ref.	Part Number	Qty.	Description	Ref.	Part Number	Qty.	Description
1	94-2621	1	Element-Filter	12:1	237-81	1	O-Ring
2	121-1577	1	Head-Filter	12:2	237-65	1	O-Ring
3	104-3509	1	Fitting-HYD, 45 DEG	13	340-148	2	Fitting-Tee
3:1	237-146	1	O-Ring	13:1	237-81	1	O-Ring
3:2	340-65	1	O-Ring	13:2	237-58	2	O-Ring
4	3234-1	4	Screw-HHF	14	340-98	1	Fitting-Elbow, 90 DEG
5	23-8910	1	Stem-Barb-90	14:1	237-79	1	O-Ring
5:1	237-146	1	O-Ring	14:2	237-30	1	O-Ring
6	2412-34	1	Clamp-Hose	15	340-2	4	Fitting-Straight
7	104-3779	1	Connector-Swivel, Straight	15:1	237-22	1	O-Ring
7:1	237-42	1	O-Ring	15:2	237-42	1	O-Ring
8	120-8913	2	HYD Motor ASM	16	132-6256	1	Valve-Steer
9	106-9888	4	Washer-Flat	17	120-8979	1	Fitting-Straight
10	33116-120	4	Screw-HH	17:1	237-42	1	O-Ring
11	340-157	1	Fitting-HYD, Tee	18	120-8975	1	Fitting-Straight
11:1	237-79	1	O-Ring	18:1	237-42	1	O-Ring
11:2	237-30	2	O-Ring	20	237-166	2	O-Ring
12	340-139	2	Fitting-Elbow 90				



7 = all items with * are included in overhaul seal kit

Hydraulic Motor Assembly No. 120-8913

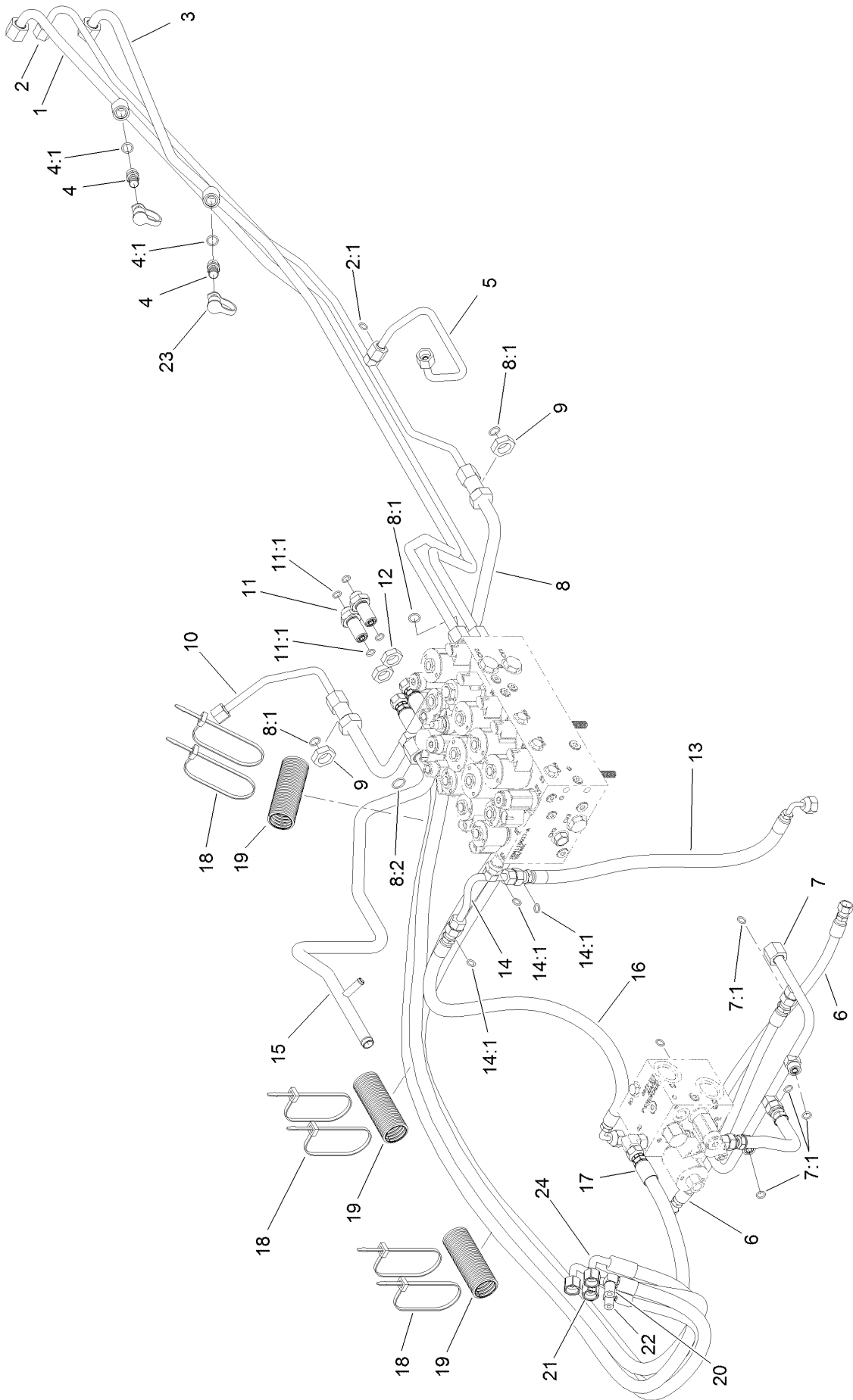
<i>Ref.</i>	<i>Part Number</i>	<i>Qty.</i>	<i>Description</i>
1	67-9090	2	Plug
2	75-0070	3	Plug
3	107-4352	1	Plug
4	121-1734	1	Plate-Valve
5	121-1735	1	Cylinder Block Kit
6	69-3190	1	Seal-Lip
7	121-1736	1	Overhaul Seal Kit



Steering Valve Assembly No. 132-6256

<i>Ref.</i>	<i>Part Number</i>	<i>Qty.</i>	<i>Description</i>
1	106-6716	1	Seal Kit

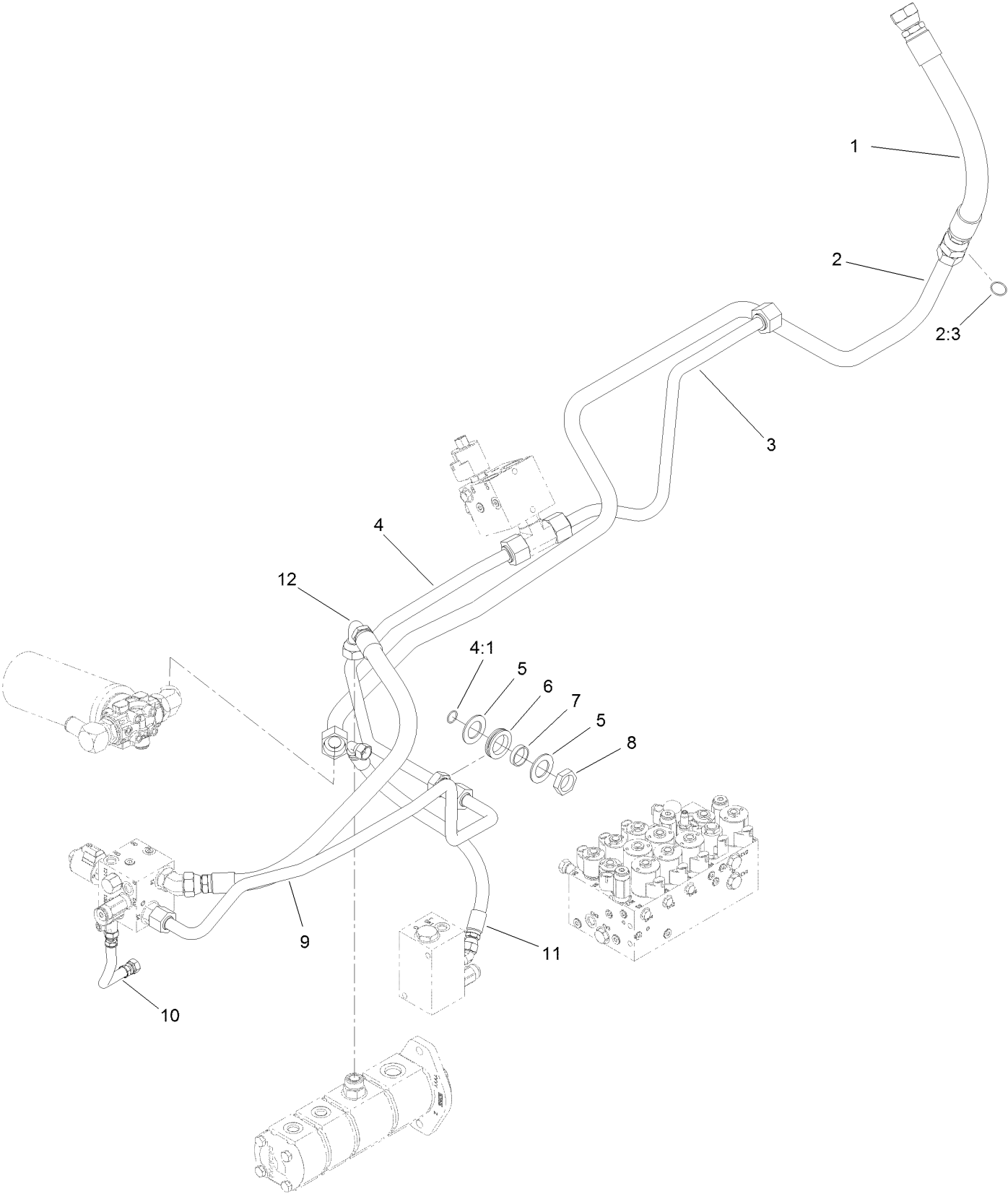
Lift, Steer and Fan Hydraulic Assembly



Lift, Steer and Fan Hydraulic Assembly (continued)

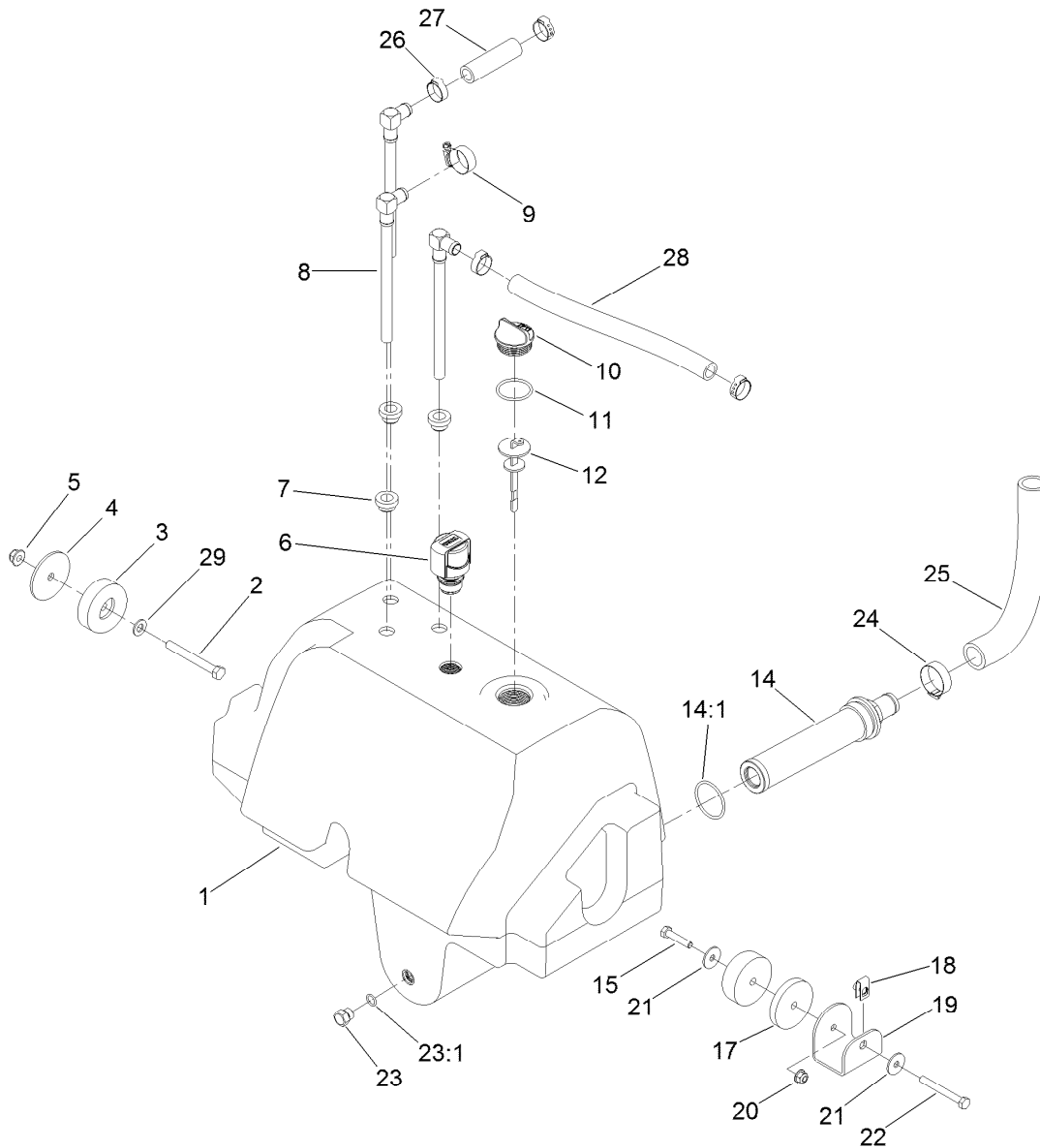
<i>Ref.</i>	<i>Part Number</i>	<i>Qty.</i>	<i>Description</i>	<i>Ref.</i>	<i>Part Number</i>	<i>Qty.</i>	<i>Description</i>
1	120-9074	1	Tube-Fan	11:1	237-22	2	O-Ring
2	120-8966	1	Tube-Drain, Fan	12	340-70	2	Nut-Lock
2:1	237-22	1	O-Ring	13	121-1567	1	Hose-HYD
3	120-9075	1	Tube-Fan	14	121-1565	1	Tube-Tee
4	59-7410	2	Fitting-Diagnostic	14:1	237-22	3	O-Ring
4:1	237-42	1	O-Ring	15	121-1510	1	Tube-HYD
5	132-6145	1	Tube-HYD	16	121-1566	1	Hose-HYD
6	117-3123	2	HYD Hose ASM	17	86-2440	1	Hose-HYD
7	120-9078	1	Tube-HYD	18	3290-378	7	Tie-Cable
7:1	237-22	5	O-Ring	19	121-1544	3	Cover-Hose
8	121-1509	1	Tube-HYD	20	121-1504	1	Hose-HYD
8:1	237-30	3	O-Ring	21	127-9632	1	Hose-HYD
8:2	237-65	1	O-Ring	22	121-1503	1	Hose-HYD
9	340-127	2	Nut-Bulkhead	23	354-79	2	Cap-Dust
10	132-6146	1	Tube-HYD	24	114-7702	1	Hose-HYD
11	340-71	2	Fitting-Straight, Bulkhead				

Oil Cooler Hydraulic Assembly



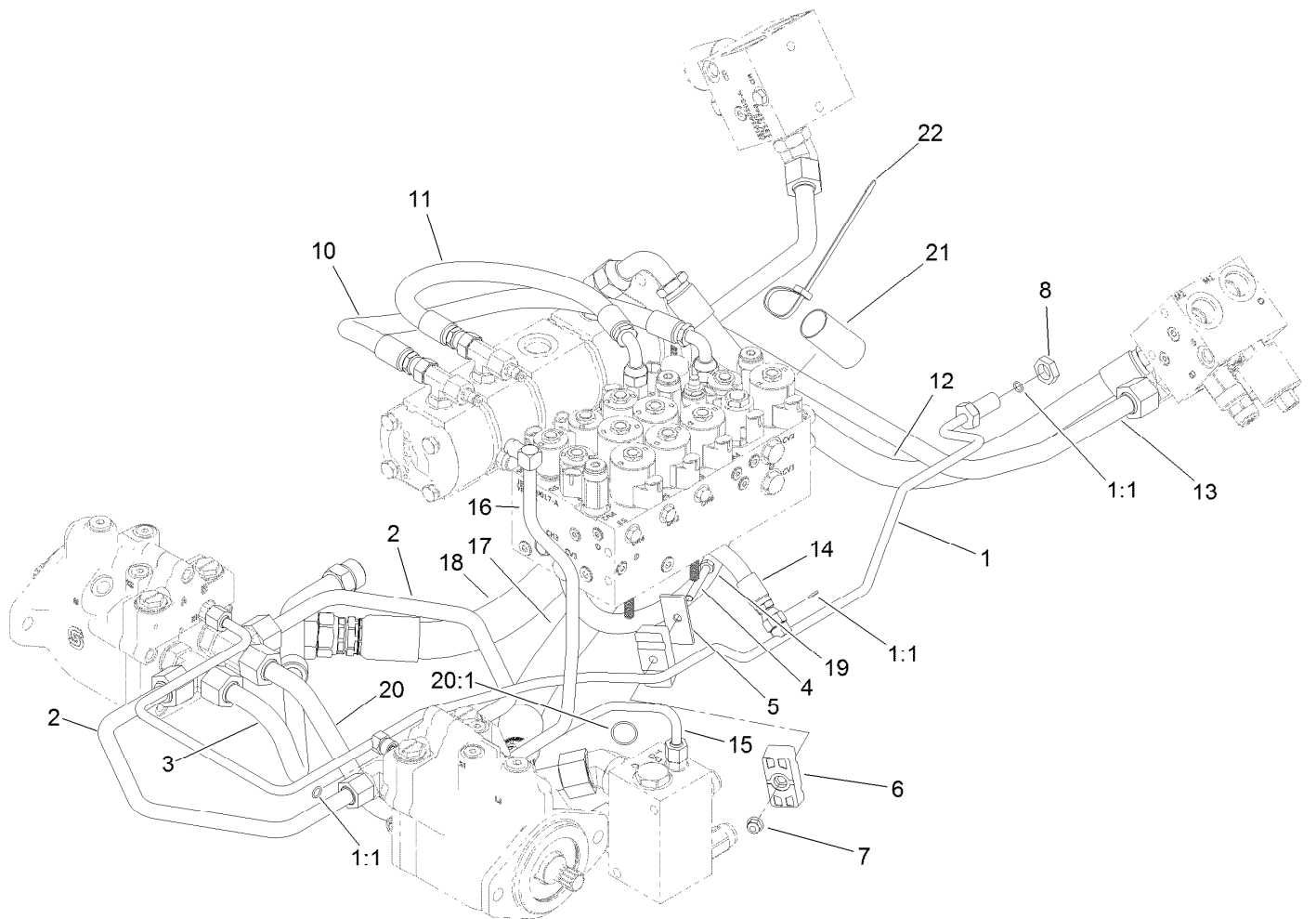
Oil Cooler Hydraulic Assembly (continued)

<i>Ref.</i>	<i>Part Number</i>	<i>Qty.</i>	<i>Description</i>	<i>Ref.</i>	<i>Part Number</i>	<i>Qty.</i>	<i>Description</i>
1	120-9060	1	Hose-HYD	6	240-7	1	Grommet-Rubber
2	121-1612	1	Tube ASM	7	69-8900	1	Spacer
2:3	340-65	1	O-Ring	8	340-126	1	Nut-Bulkhead
3	121-1626	1	Tube-HYD	9	120-8838	1	Tube-PTO, Front Return
4	121-1507	1	Tube ASM	10	121-1572	1	Hose-HYD
4:1	237-58	1	O-Ring	11	117-0686	1	Hose-HYD
5	69-8910	2	Washer	12	115-4384	1	Hose-HYD



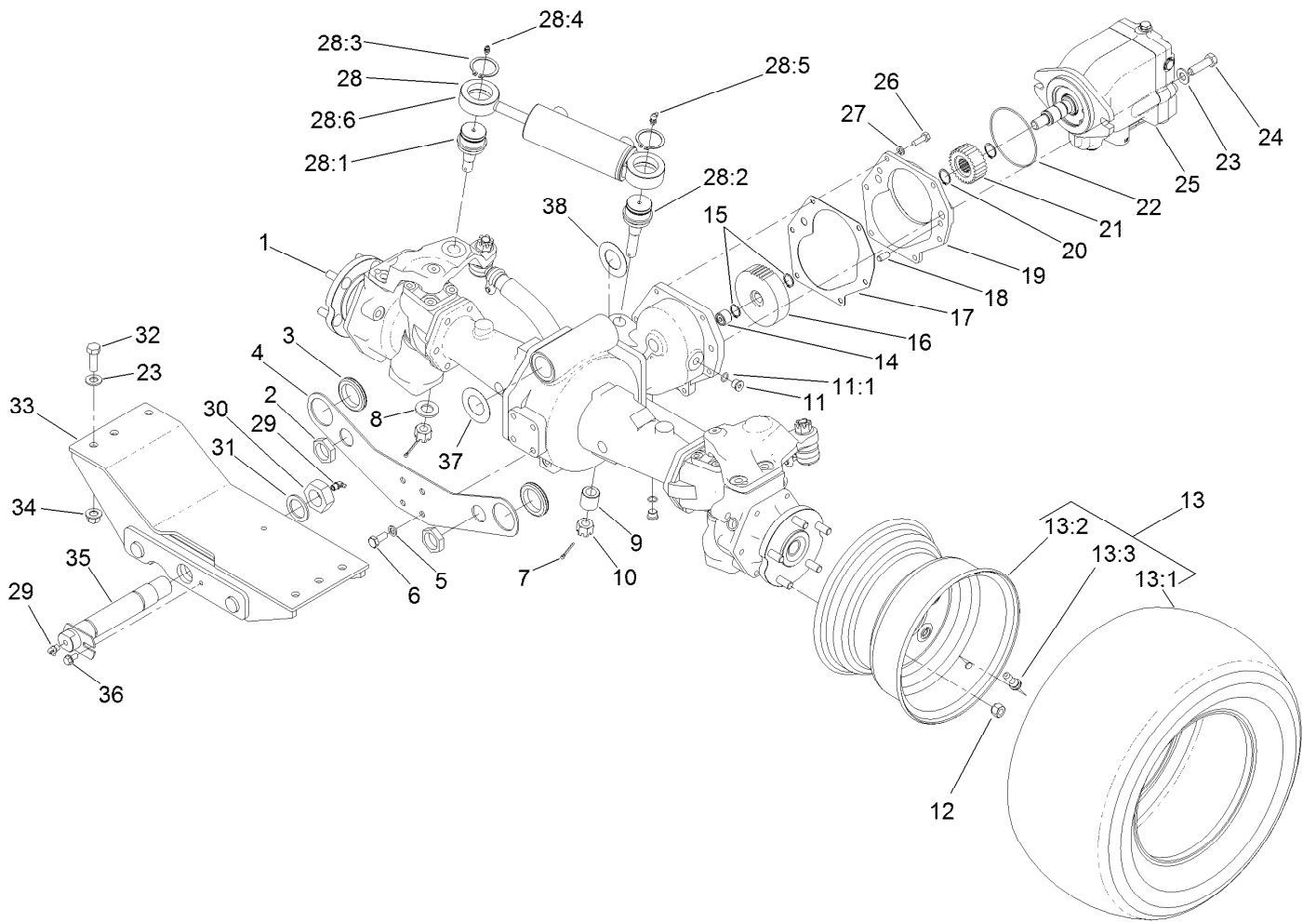
Hydraulic Reservoir Assembly

Ref.	Part Number	Qty.	Description	Ref.	Part Number	Qty.	Description
1	120-9077	1	Reservoir-HYD	17	121-1533	1	Spacer-Thick
2	323-20	1	Screw-HH	18	115-7721	1	Nut-Clip, U
3	108-1605	2	Bumper-Recess	19	121-1557-03	1	Mount-Tank
4	121-1456	1	Spacer-Thin	20	104-8300	1	Nut-HF, NI
5	104-8301	1	Nut-HF, NI	21	3256-82	2	Washer-Flat
6	115-9793	1	Breather	22	322-13	1	Screw-HH
7	104-0790	3	Bushing	23	353-508	1	Plug-HH
8	114-0002	3	Pipe-Stand	23:1	237-42	1	O-Ring
9	2412-129	1	Clamp-Hose	24	2412-34	1	Clamp-Hose
10	93-7498	1	Plug-Plastic	25	120-8810	1	Hose-Strainer
11	237-101	1	O-Ring	26	115-5436	4	Clamp-Hose, Crimp
12	112-6365	1	Dipstick	27	114-4920	1	Hose
14	104-7546	1	Tank Strainer ASM	28	121-1521	1	Hose
14:1	340-136	1	O-Ring	29	3256-24	1	Washer-Flat
15	322-7	1	Screw-HH				



Traction Hydraulic Assembly

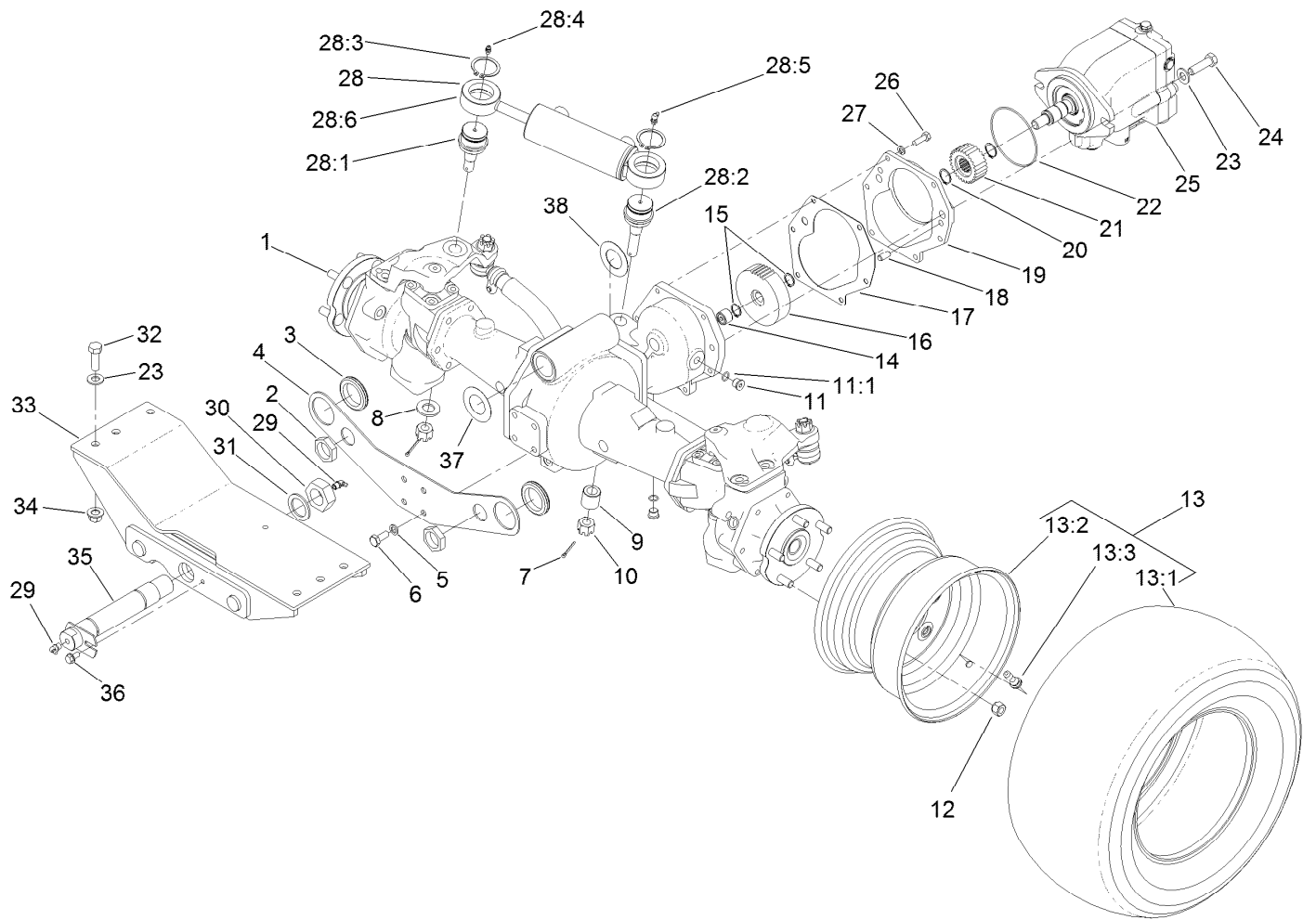
<i>Ref.</i>	<i>Part Number</i>	<i>Qty.</i>	<i>Description</i>	<i>Ref.</i>	<i>Part Number</i>	<i>Qty.</i>	<i>Description</i>
1	121-1552	1	Tube ASM	13	120-8834	1	Tube-PTO, LH To RH
1:1	237-22	3	O-Ring	14	104-2234	1	Hose-HYD
2	120-9079	2	Tube-HYD	15	121-1480	1	Tube-HYD
3	121-1624	1	Tube-HYD	16	120-8961	1	Tube-Return, Front
4	322-11	1	Screw-HH	17	132-6142	1	Hose-HYD
5	69-9761	1	Plate-Cover	18	132-6141	1	Hose-HYD
6	120-3200	2	Clamp-Tube	19	132-6241	1	Hose-HYD
7	104-8300	1	Nut-HF, NI	20	121-1581	1	Tube-Tee
8	340-70	1	Nut-Lock	20:1	340-65	1	O-Ring
10	104-2807	1	Hose-HYD	21	AU112950	1	Protector-Hose
11	104-4584	1	Hose-HYD	22	3290-378	3	Tie-Cable
12	115-4384	1	Hose-HYD				



Rear Axle and Steering Cylinder Assembly

Ref.	Part Number	Qty.	Description	Ref.	Part Number	Qty.	Description
1	110-4750	1	Drive Axle ASM	15	32120-15	2	Ring-Snap, EXT
2	340-126	2	Nut-Bulkhead	16	100-3053	1	Gear-45 Tooth
3	240-2	2	Grommet-Rubber	17	106-1140	1	Gasket
4	120-9069-03	1	Plate-Mount, Bulkhead	18	104-2353	2	Pin-Dowel
5	43-0090	4	Screw-HH	19	95-7541	1	Plate-Cover
6	48-9590	4	Washer-Lock	20	32120-76	2	Ring-Snap, EXT
7	3272-12	2	Pin-Cotter	21	104-0755	1	Pinion-27 Tooth
8	92-5836	1	Washer	22	237-166	1	O-Ring
9	100-3796	1	Spacer-Joint, Ball	23	3256-26	8	Washer-Flat
10	32136-14	2	Nut-Hst	24	325-7	2	Screw-HH
11	353-989	2	Plug-Hex, Hollow	25	120-8814	1	HYD Motor ASM
11:1	237-42	1	O-Ring	26	33114-025	6	Screw-HH
12	93-5268	10	Nut-Lug	27	3253-4	6	Washer-Lock
13		2	Tire And Wheel ASM ●	28	121-1535	1	Steering Cylinder ASM
13:1	120-8910	1	Tire-Off Road	28:1	106-6774	1	Joint-Ball
13:2	120-8909	1	Rim	28:2	100-3795	1	Joint-Ball
13:3	232-27	1	Stem-Valve	28:3	32151-104	2	Ring-Retaining, External
14	74-5700	1	Bearing-Needle, Roller	28:4	302-5	1	Fitting-Grease

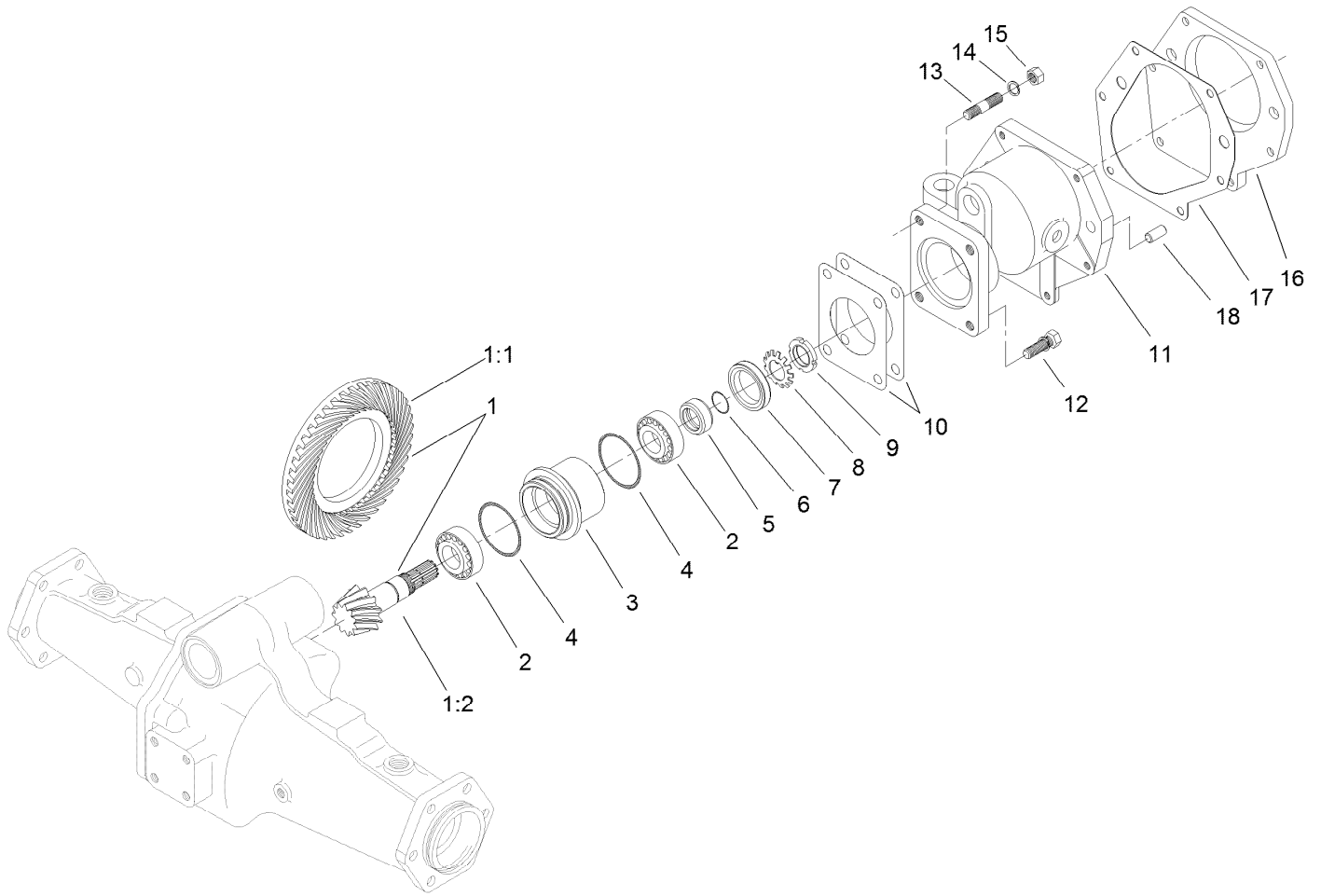
● Not serviced separately



Rear Axle and Steering Cylinder Assembly (continued)

<i>Ref.</i>	<i>Part Number</i>	<i>Qty.</i>	<i>Description</i>	<i>Ref.</i>	<i>Part Number</i>	<i>Qty.</i>	<i>Description</i>
28:5	302-60	1	Fitting-Grease	33	130-2744-03	1	Mount-Rear
28:6	121-1534	1	HYD Steering Cylinder ASM	34	99-5107	6	Nut-Lock
29	302-33	2	Fitting-Grease	35	98-7077	1	Pin-Axle, Rear
30	3296-68	1	Nut-Lock, NI	36	32144-14	1	Screw-HWHTF
31	92-1765	1	Washer-Thrust	37	99-8431	2	Washer-Thrust
32	325-6	6	Screw-HH	38	99-8432	2	Washer-Thrust

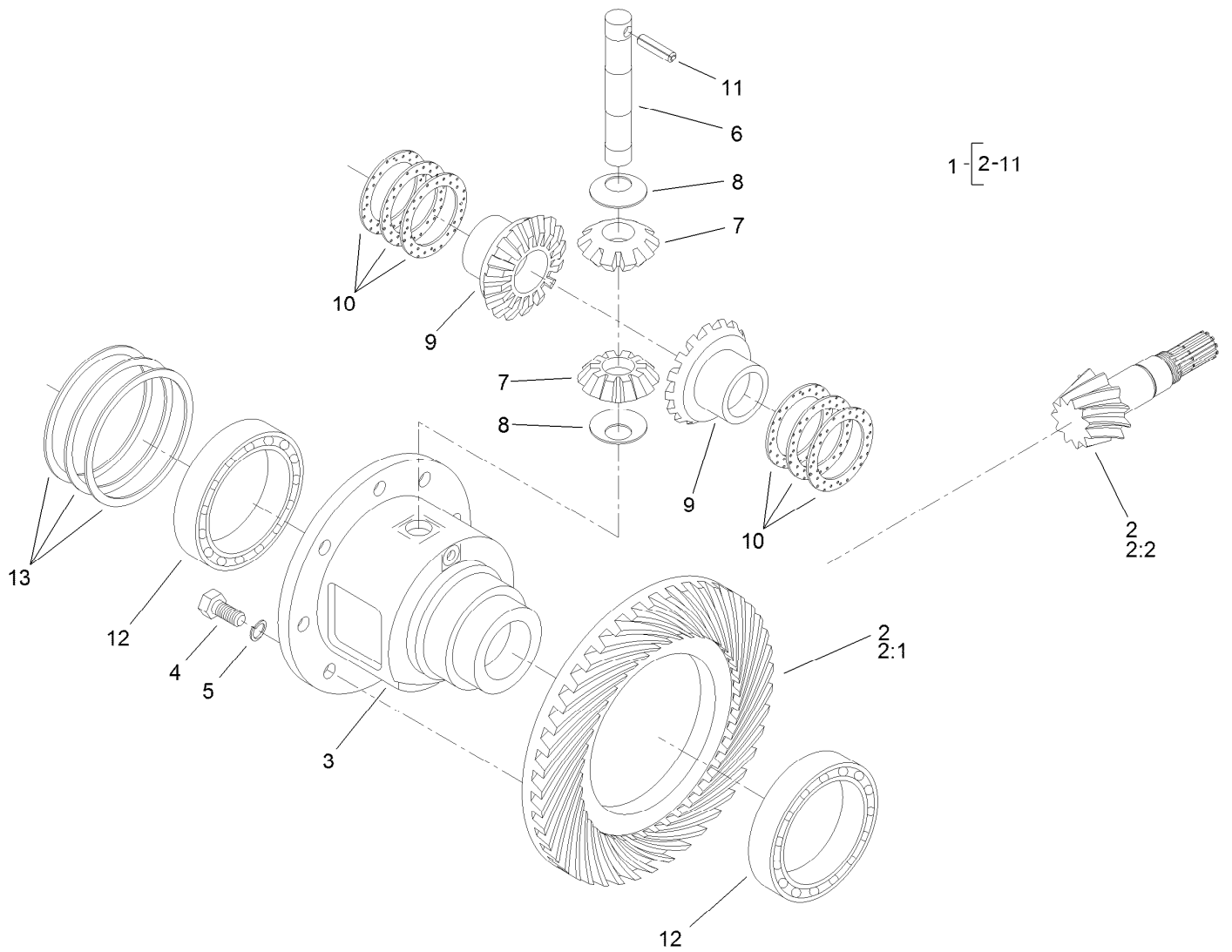
● Not serviced separately



Bevel Pinion Shaft Assembly Rear Axle Assembly No. 110-4750

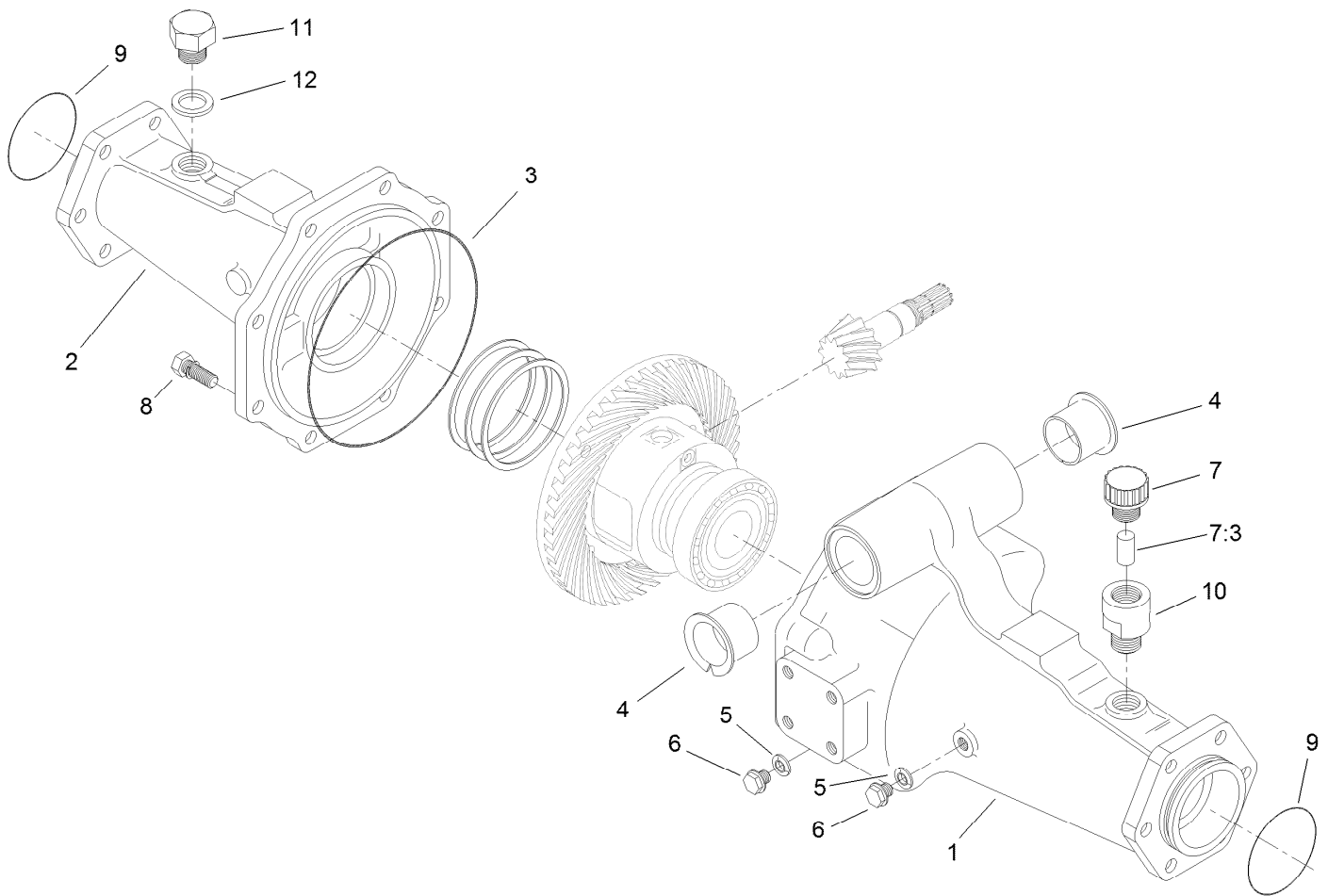
<i>Ref.</i>	<i>Part Number</i>	<i>Qty.</i>	<i>Description</i>
1	106-1093	1	Ring And Pinion Set
1:1	95-7504	1	Gear-43 Tooth, Bevel Spiral
1:2	106-1092	1	Pinion-Spiral, Bevel
2	99-7570	2	Bearing-Roller, Taper
3	95-7534	1	Case-Bearing
4	106-1065	2	O-Ring
5	99-7572	1	Collar-Seal, Oil
6	106-1066	1	O-Ring
7	99-7574	1	Seal-Oil
8	99-7559	1	Washer-Lock
9	99-7560	1	Nut-Lock

<i>Ref.</i>	<i>Part Number</i>	<i>Qty.</i>	<i>Description</i>
10	99-7550	2	Shim 0.1
10	99-7551	2	Shim 0.2
11	95-7533	1	Case-Gear
12	99-7575	2	Bolt
13	98-7735	2	Stud
14	99-7527	2	Washer-Spring
15	99-7526	2	Nut
16	95-7541	1	Plate-Cover
17	106-1140	1	Gasket
18	104-2353	2	Pin-Dowel



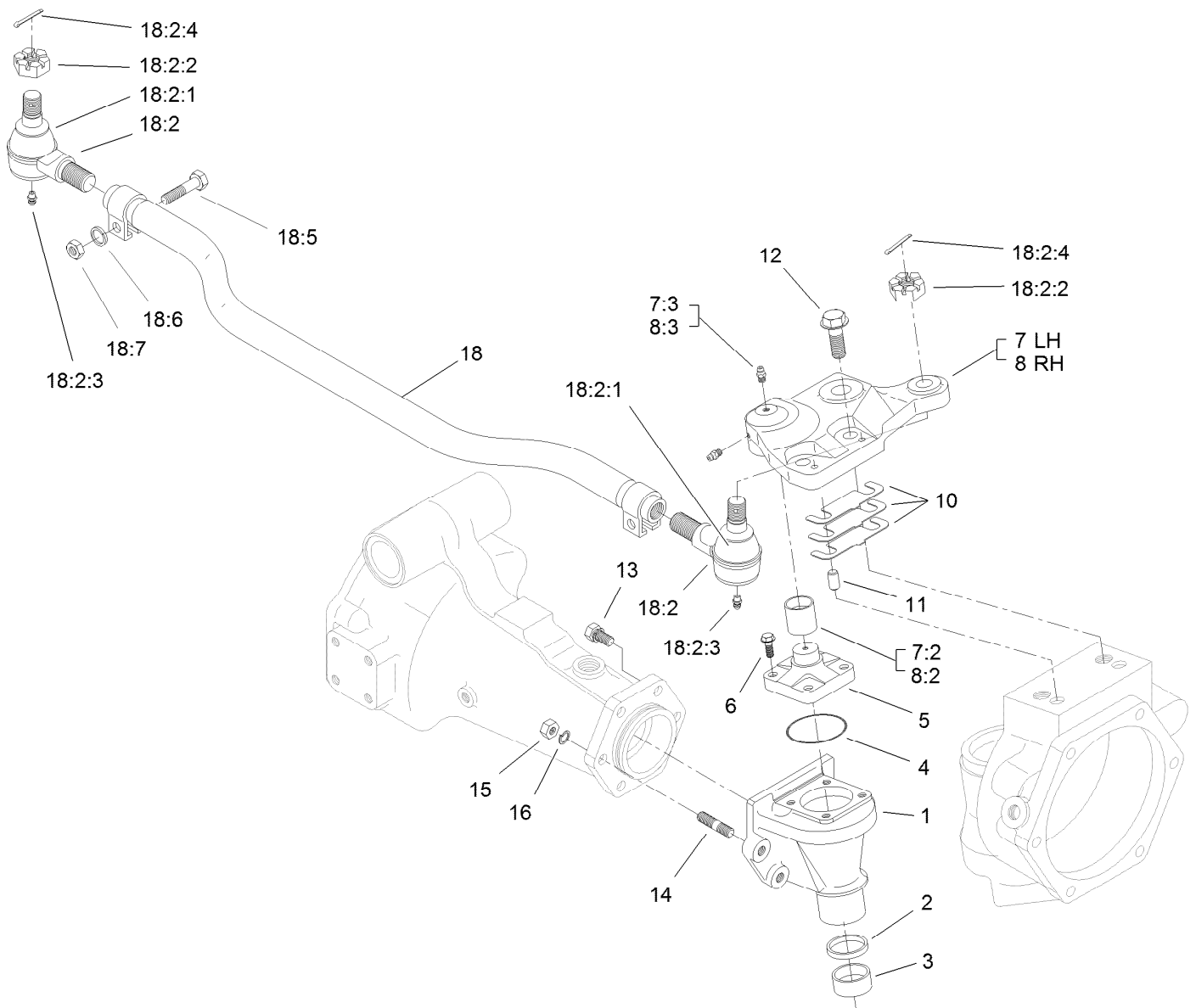
Differential Assembly Rear Axle Assembly No. 110-4750

<i>Ref.</i>	<i>Part Number</i>	<i>Qty.</i>	<i>Description</i>	<i>Ref.</i>	<i>Part Number</i>	<i>Qty.</i>	<i>Description</i>
1	95-7503	1	Differential ASM	9	99-7581	2	Gear-Differential
2	106-1093	1	Ring And Pinion Set	10	99-7582	2	Washer-Differential
2:1	95-7504	1	Gear-43 Tooth, Bevel Spiral	10	99-7583	2	Washer-Differential
2:2	106-1092	1	Pinion-Spiral, Bevel	10	99-7584	2	Washer-Differential
3	95-7502	1	Case-Differential	11	99-7588	1	Pin-Spring
4	99-7576	8	Bolt	12	99-7562	2	Bearing-Ball
5	3253-4	8	Washer-Lock	13	99-7585	2	Shim 0.1
6	99-7578	1	Shaft-Differential	13	99-7586	2	Shim 0.2
7	99-7579	2	Pinion-Differential	13	99-7587	2	Shim 0.4
8	99-7580	2	Washer-Differential				



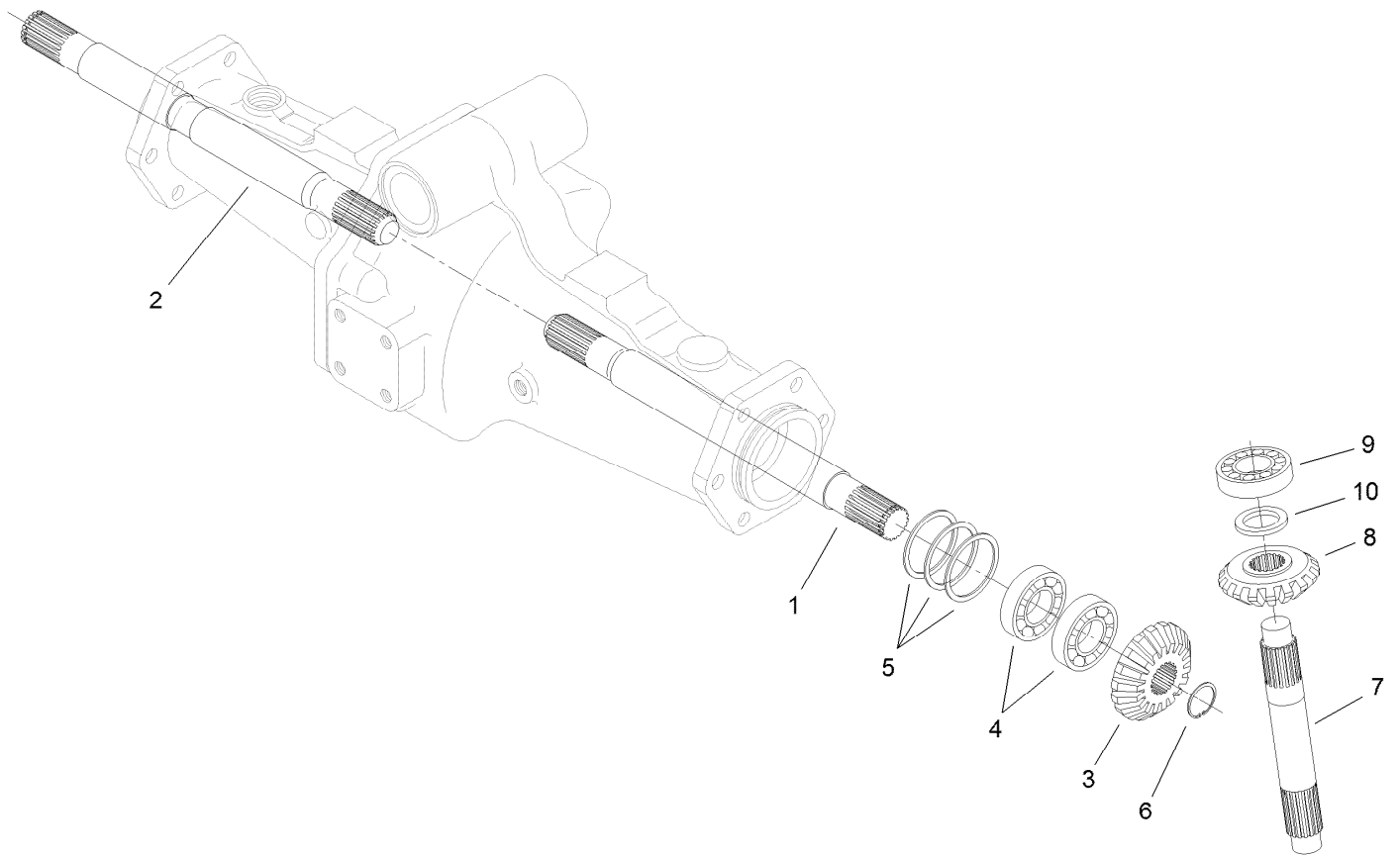
Axle Support Assembly Rear Axle Assembly No. 110-4750

<i>Ref.</i>	<i>Part Number</i>	<i>Qty.</i>	<i>Description</i>
1	95-7508	1	Support-Axle
2	95-7506	1	Support-Axle
3	106-1067	1	O-Ring
4	95-7537	2	Bushing-Flanged
5	99-7590	2	Washer-Seal
6	99-7589	2	Plug
7	110-4812	1	Axle Vent ASM
7:3	110-4815	1	Insert-Filter, Foam
8	99-7592	8	Bolt
9	106-1068	2	O-Ring
10	104-2377	1	Extension-Vent
11	104-8643	1	Plug
12	104-8644	1	O-Ring



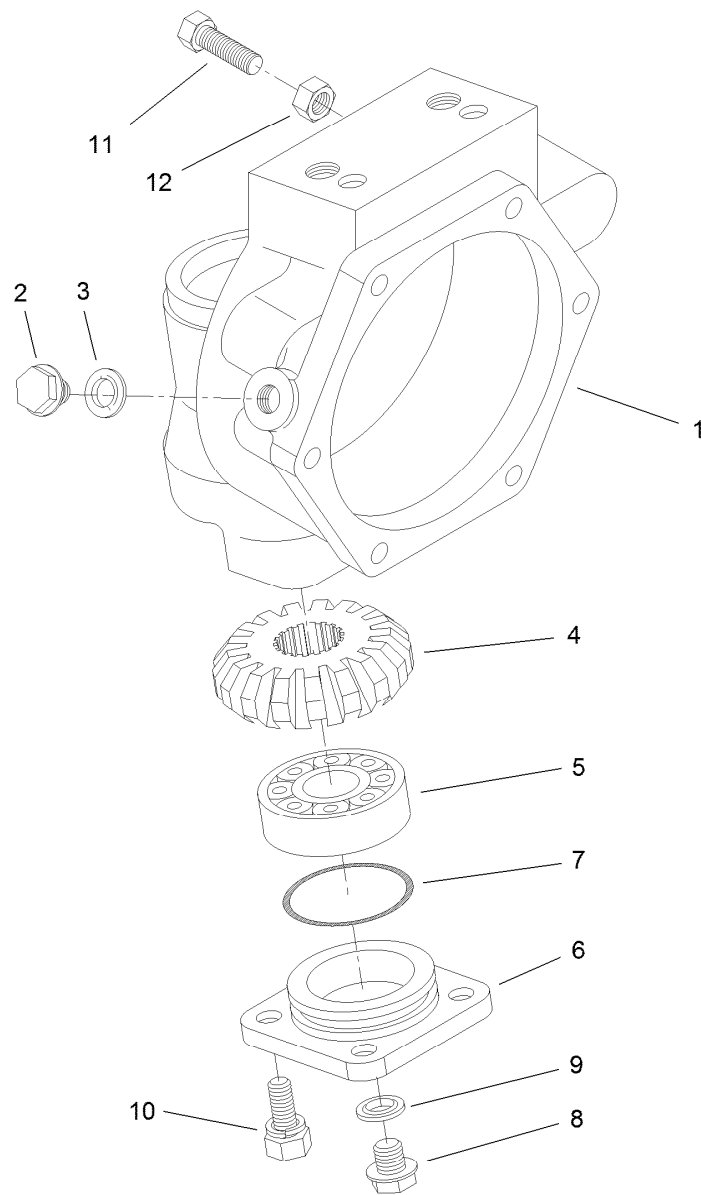
Bevel Gear Case Assembly Rear Axle Assembly No. 110-4750

Ref.	Part Number	Qty.	Description	Ref.	Part Number	Qty.	Description
1	110-4752	2	Case-Gear, Bevel	12	104-2375	4	Bolt
2	110-4754	2	Seal-Oil	13	99-7599	8	Bolt
3	104-2378	2	Bushing	14	99-7525	4	Stud
4	106-1069	2	O-Ring	15	99-7526	4	Nut
5	104-2373	2	Knuckle	16	99-7527	4	Washer-Spring
6	104-2374	8	Bolt	18	106-1141	1	Steering Tie Rod ASM
7	100-3768	1	LH Steering Arm ASM	18:2	106-1113	2	Tie Rod End ASM - RH Thread
7:2	104-8634	1	Bushing	18:2:1	100-3853	1	Cover-Dust
7:3	106-1104	2	Fitting-Grease	18:2:2	100-3854	1	Nut-Castle
8	100-3766	1	RH Steering Arm ASM	18:2:3	110-4755	1	Fitting-Grease
8:2	104-8634	1	Bushing	18:2:4	3272-11	1	Pin-Cotter
8:3	106-1104	2	Fitting-Grease	18:5	100-3855	2	Bolt
10	95-7547	2	Shim 0.1	18:6	99-7527	2	Washer-Spring
10	95-7548	2	Shim 0.2	18:7	99-7526	2	Nut
10	95-7549	2	Shim 0.3				
11	99-7597	4	Pin-Dowel				



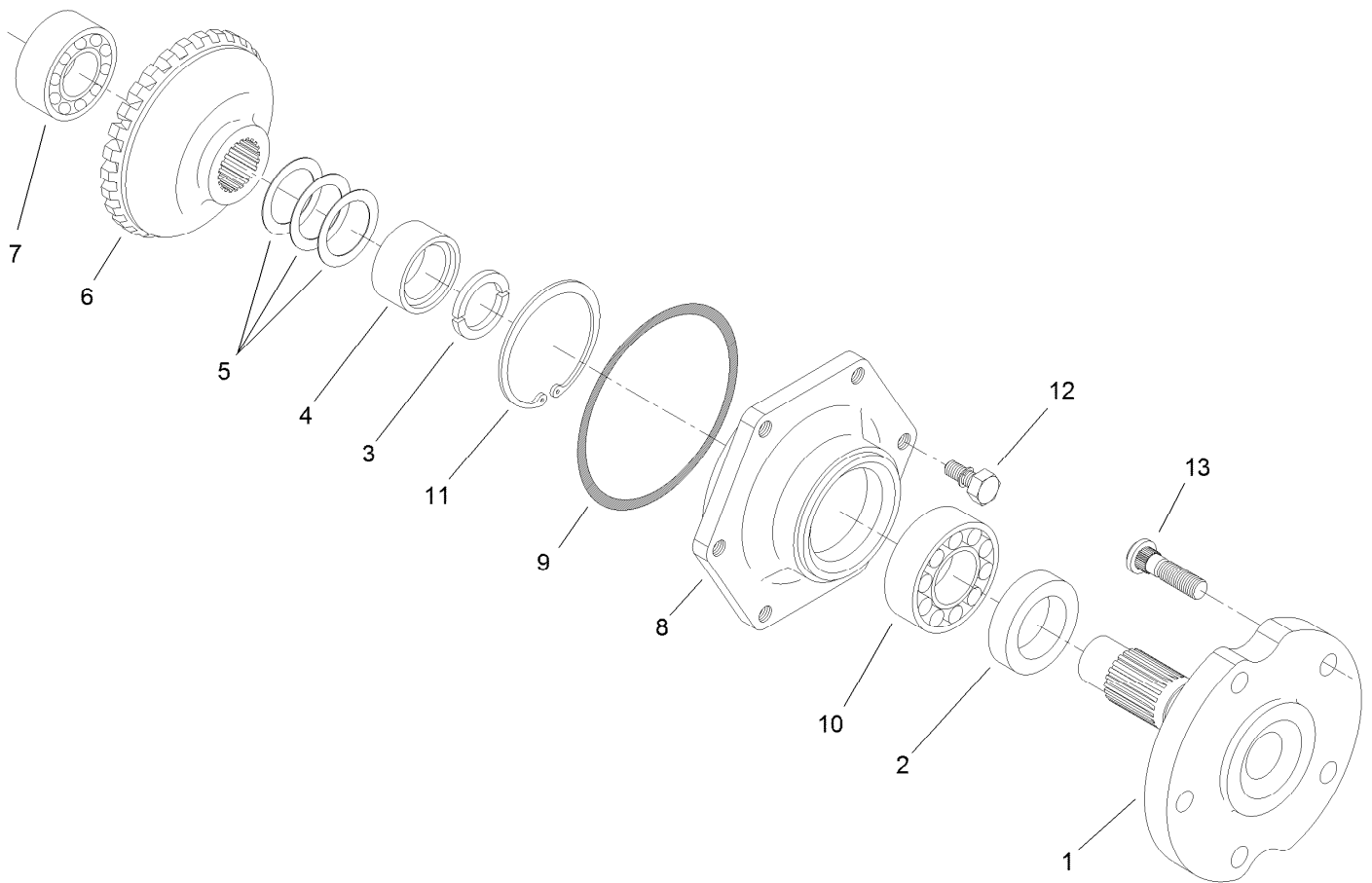
Bevel Gear Shaft Assembly Rear Axle Assembly No. 110-4750

<i>Ref.</i>	<i>Part Number</i>	<i>Qty.</i>	<i>Description</i>
1	95-7509	1	Shaft-Gear, Differential
2	95-7512	1	Shaft-Gear, Differential
3	95-7517	2	Gear-Bevel, 15 Tooth
4	99-7530	4	Bearing-Ball
5	99-7552	2	Shim 0.1
5	99-7553	2	Shim 0.2
5	99-7554	2	Shim 0.5
6	99-7531	2	Clip
7	110-4753	2	Shaft-Gear, Bevel
8	95-7519	2	Gear-Bevel, 17 Tooth
9	99-7532	2	Bearing-Roller, Taper
10	99-7558	2	Collar



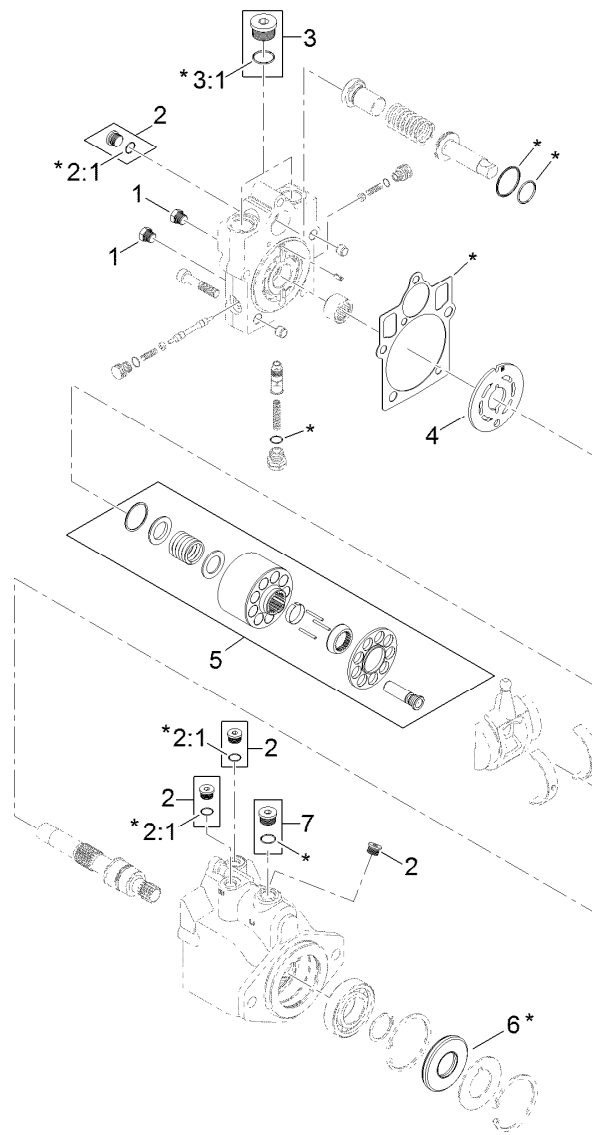
Axle Case Assembly Rear Axle Assembly No. 110-4750

<i>Ref.</i>	<i>Part Number</i>	<i>Qty.</i>	<i>Description</i>
1	110-4751	2	Case-Axle
2	99-7535	2	Plug
3	99-7536	2	Washer-Seal
4	95-7527	2	Gear-Bevel, 17 Tooth
5	99-7532	2	Bearing-Roller, Taper
6	100-2560	2	Cover
7	106-1070	2	O-Ring
8	99-7589	2	Plug
9	99-7590	2	Washer-Seal
10	100-2562	8	Bolt
11	106-1102	2	Bolt-Stop
12	106-1103	2	Nut



Axle Assembly Rear Axle Assembly No. 110-4750

<i>Ref.</i>	<i>Part Number</i>	<i>Qty.</i>	<i>Description</i>
1	95-7522	2	Axle
2	99-7564	2	Seal-Oil
3	95-7544	4	Clip
4	95-7523	2	Spacer
5	99-7555	2	Shim 0.3
5	99-7556	2	Shim 0.2
5	99-7557	2	Shim 0.5
6	95-7524	2	Gear-Bevel, 29 Tooth
7	99-7534	2	Bearing-Ball
8	95-7521	2	Cover-Axle
9	106-1071	2	O-Ring
10	99-7561	2	Bearing-Ball
11	99-7539	2	Clip
12	99-7596	12	Bolt
13	99-7563	10	Stud

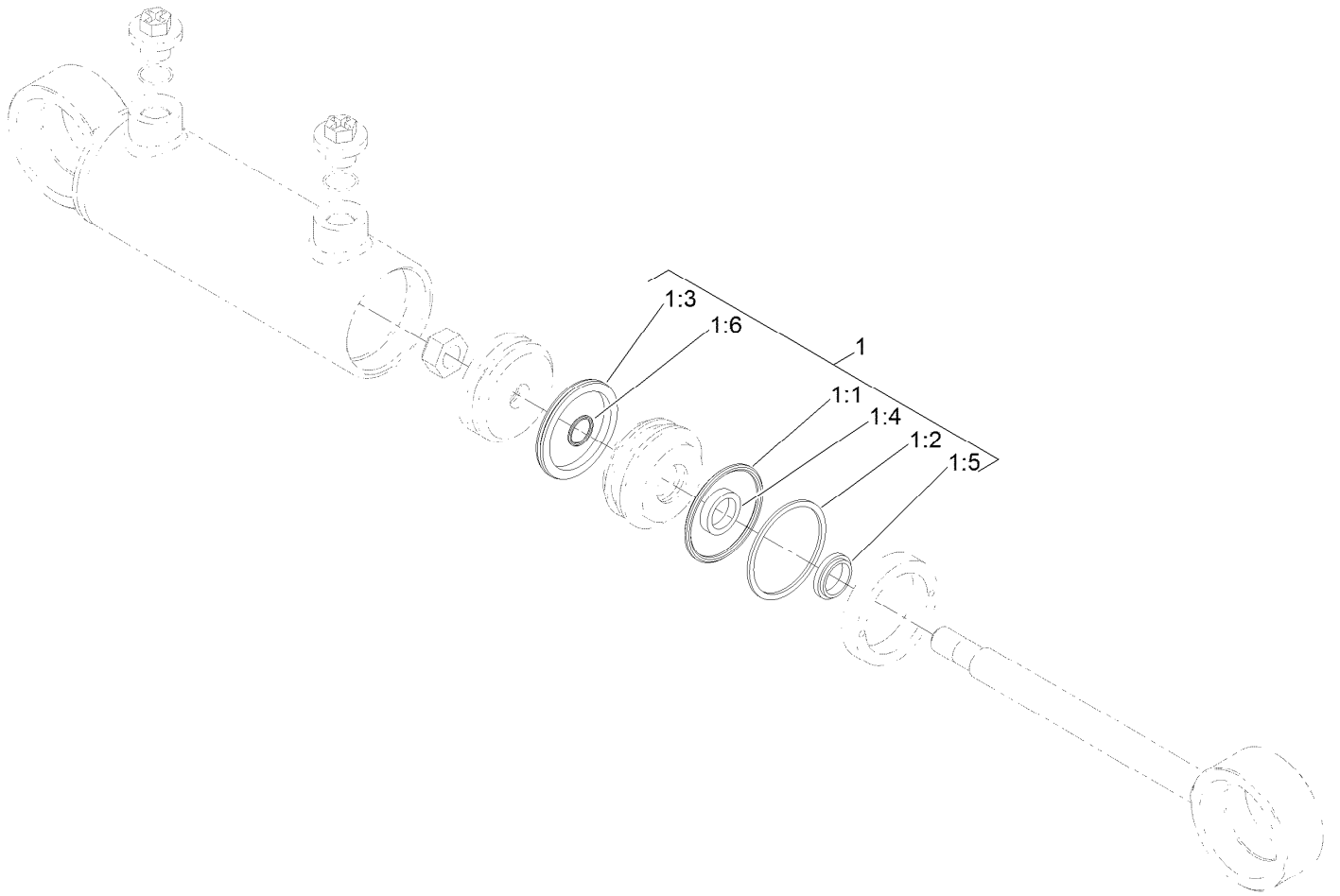


8 = all items with * are included in overhaul seal kit

Hydraulic Motor Assembly No. 120-8814

Ref.	Part Number	Qty.	Description
1	92-1352	2	Plug
2	69-3080	5	Plug
2:1		1	O-Ring ●
3	69-3130	2	Plug
3:1		1	O-Ring ●
4	121-1734	1	Plate-Valve
5	110-6472	1	Cylinder Block Kit ASM
6	69-3190	1	Seal-Lip
7	67-9090	1	Plug
8	121-1736	1	Overhaul Seal Kit

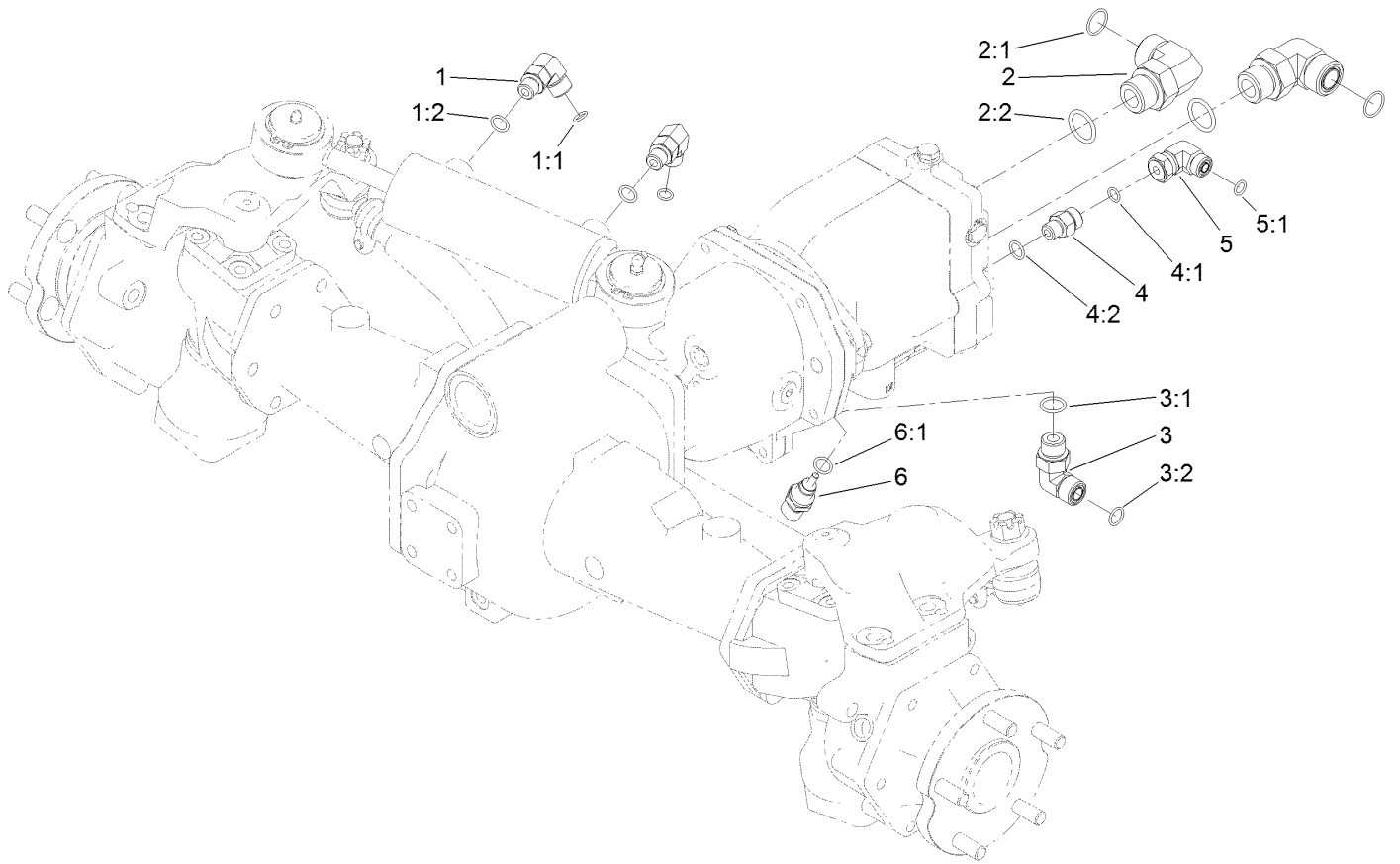
● Not serviced separately



Steering Cylinder Assembly No. 121-1534

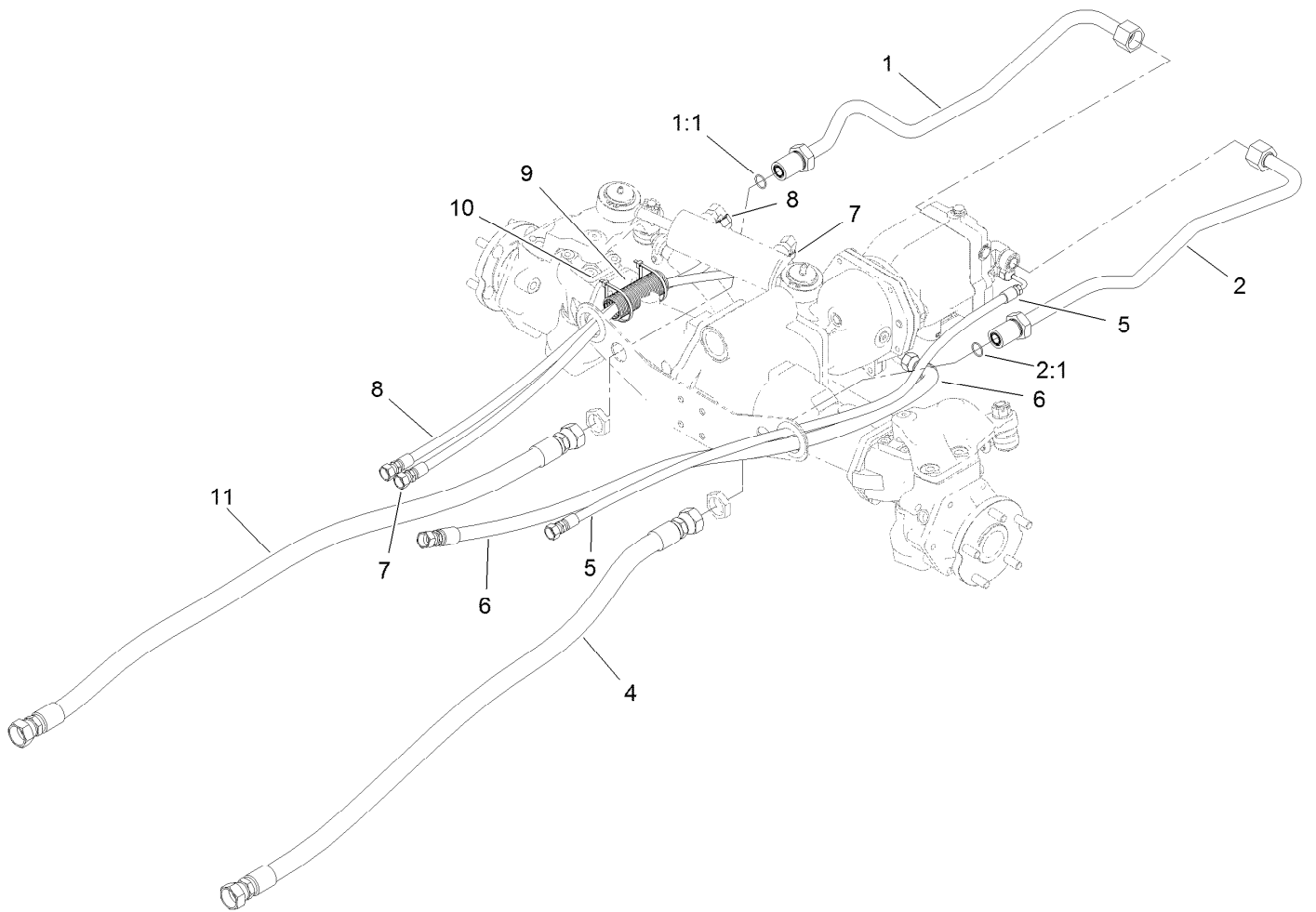
<i>Ref.</i>	<i>Part Number</i>	<i>Qty.</i>	<i>Description</i>
1	125-4302	1	Seal Kit
1:1		1	O-Ring ●
1:2		1	Backup ●
1:3		1	Bp Seal ●
1:4		1	Bt Seal ●
1:5		1	Dust Seal ●
1:6		1	O-Ring ●

● Not serviced separately



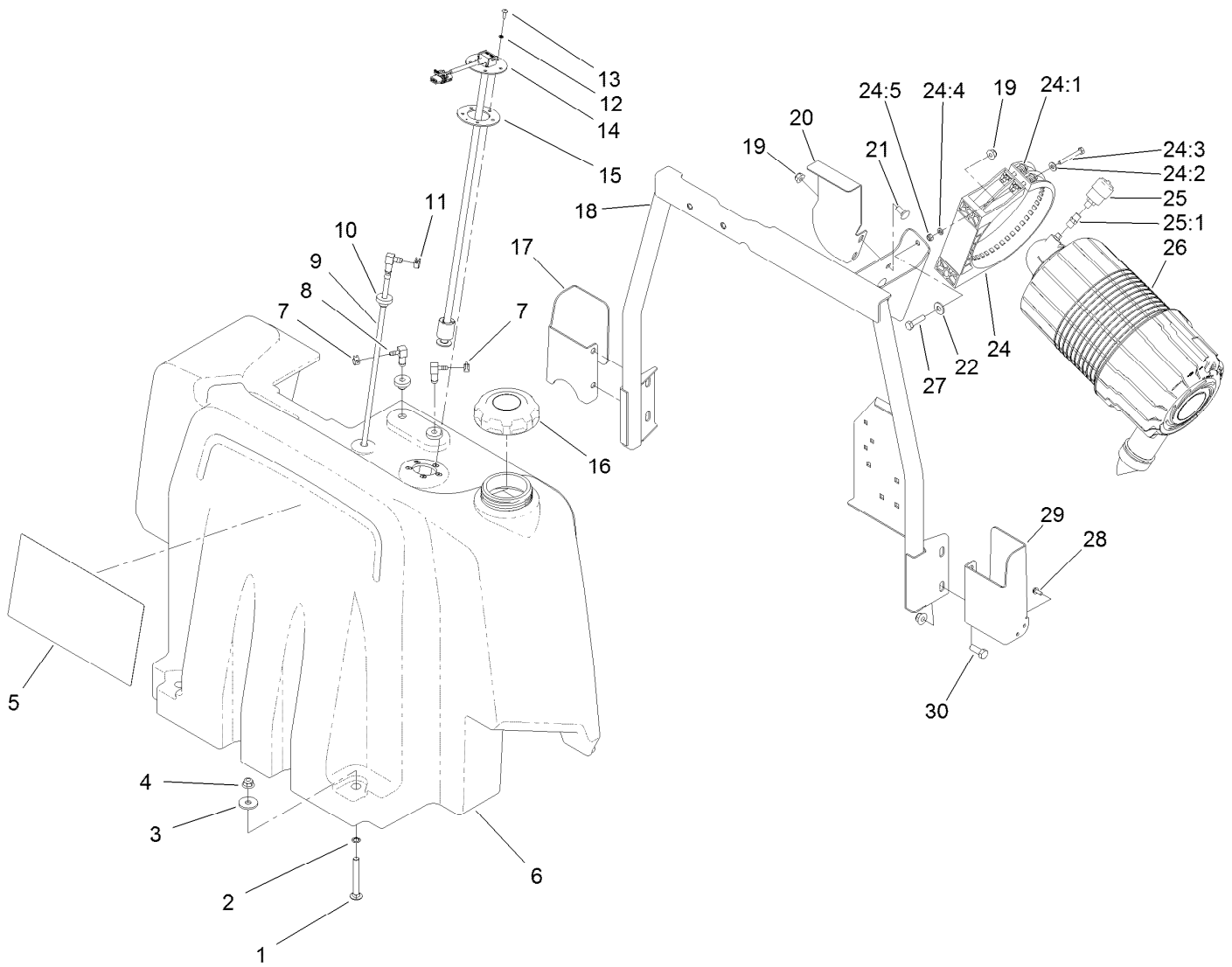
Hydraulic Fitting Assembly

<i>Ref.</i>	<i>Part Number</i>	<i>Qty.</i>	<i>Description</i>	<i>Ref.</i>	<i>Part Number</i>	<i>Qty.</i>	<i>Description</i>
1	340-77	2	Fitting-Elbow, 90 DEG	3:2	237-30	1	O-Ring
1:1	237-22	1	O-Ring	4	340-2	1	Fitting-Straight
1:2	237-42	1	O-Ring	4:1	237-22	1	O-Ring
2	340-142	2	Fitting-Elbow, 90 DEG	4:2	237-42	1	O-Ring
2:1	237-58	1	O-Ring	5	340-159	1	Elbow-90
2:2	237-81	1	O-Ring	5:1	237-22	2	O-Ring
3	340-98	1	Fitting-Elbow, 90 DEG	6	110-8829	1	Sender-Temperature
3:1	237-79	1	O-Ring	6:1	237-42	1	O-Ring



Hose and Tube Routing Assembly

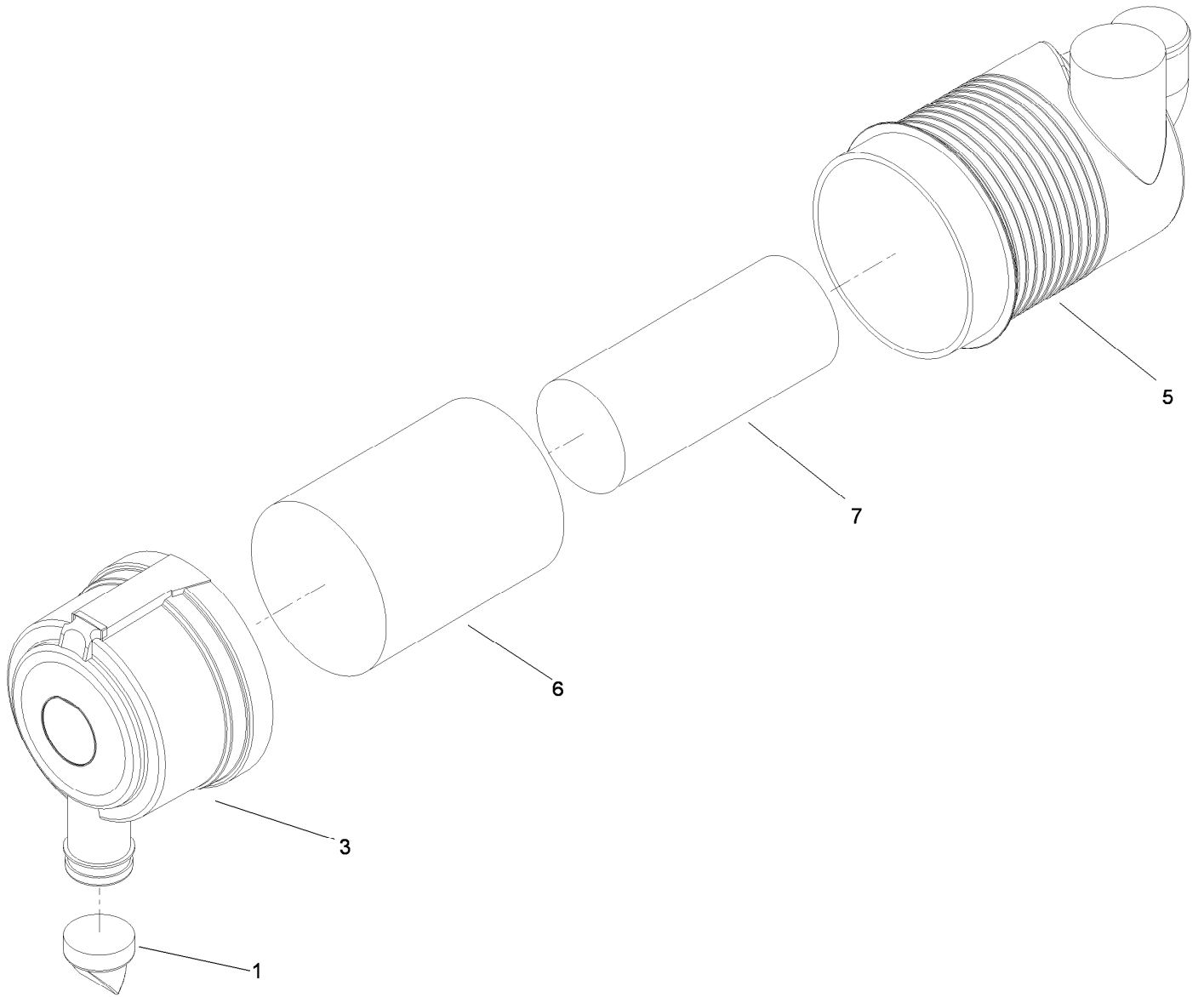
<i>Ref.</i>	<i>Part Number</i>	<i>Qty.</i>	<i>Description</i>
1	120-9067	1	HYD Tube ASM
1:1	237-58	1	O-Ring
2	120-9068	1	Tube ASM
2:1	237-58	1	O-Ring
4	114-0024	1	Hose-HYD
5	121-1459	1	Hose-HYD
6	121-1458	1	Hose-HYD
7	121-1500	1	Hose-HYD
8	121-1501	1	Hose-HYD
9	121-1544	2	Cover-Hose
10	3290-379	4	Tie-Cable
11	121-1683	1	Hose-HYD



Fuel Tank and Air Cleaner Assembly

Ref.	Part Number	Qty.	Description
1	3231-10	2	Screw-CARR
2	32151-72	2	Ring-Retaining
3	63-8410	2	Washer
4	104-8301	6	Nut-HF, NI
5	130-6042	1	Decal-Service
6	120-4195	1	Tank-Fuel
7	2412-98	2	Clamp-Hose
8	104-5228	2	Fitting-Elbow, 90 DEG
9	120-8908	1	Pipe-Stand
10	46-6560	3	Bushing
11	92-2379	1	Clamp-Hose
12	3253-15	5	Washer-Lock
13	32122-24	5	Screw-PTH
14	121-1688	1	Gauge-Fuel
15	121-1707	1	Gasket-Fuel, Viton
16	125-9171	1	Cap-Fuel
17	121-1514-03	1	Bracket-Latch, RH
18	120-4190-03	1	Support-Tank

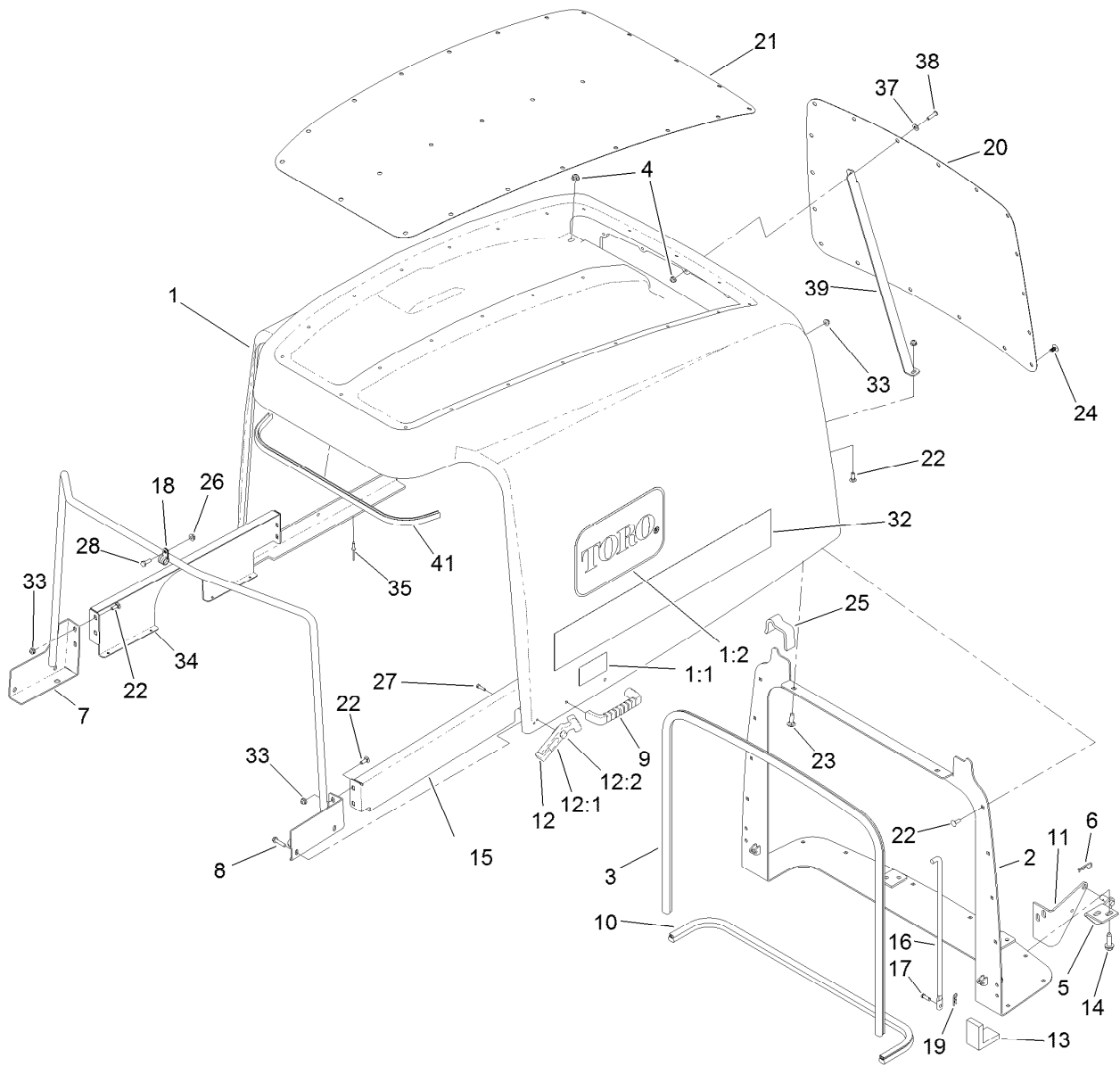
Ref.	Part Number	Qty.	Description
19	104-8300	4	Nut-HF, NI
20	120-4193-03	1	Bracket-Fuel Tank
21	3230-1	2	Bolt-CARR
22	3256-3	2	Washer-Flat
24	99-5414	1	Strap-Cleaner, Air
24:1	108-1512	2	Spring
24:2	3256-22	2	Washer-Flat
24:3	33113-050	2	Screw-HH
24:4	33093-00	2	Washer-Flat
24:5	33023-00	2	Nut-Lock
25	104-3563	1	Indicator
25:1	94-1416	1	Adapter-Indicator
26	99-5410	1	Air Cleaner ASM
27	322-6	2	Screw-HH
28	32144-1	4	Screw-Taptite
29	121-1513-03	1	Bracket-Latch, LH
30	323-6	4	Screw-HH



Air Cleaner Assembly No. 99-5410

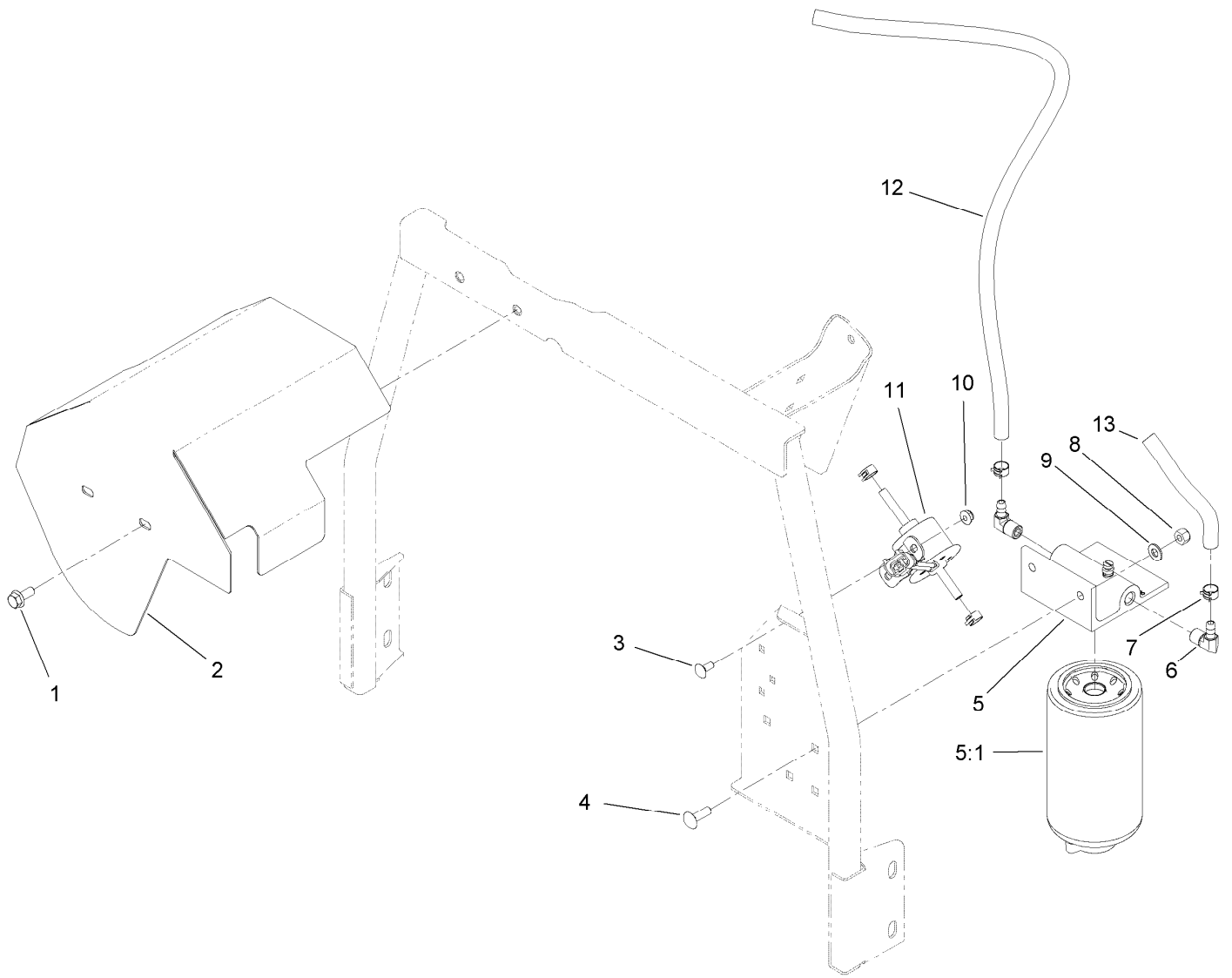
<i>Ref.</i>	<i>Part Number</i>	<i>Qty.</i>	<i>Description</i>
1	104-4258	1	Valve-Vacuator
2	104-4259	1	Cover
3	108-3814	1	Filter-Air
4	108-3816	1	Filter-Air
5		1	Body ASM ●

● Not serviced separately



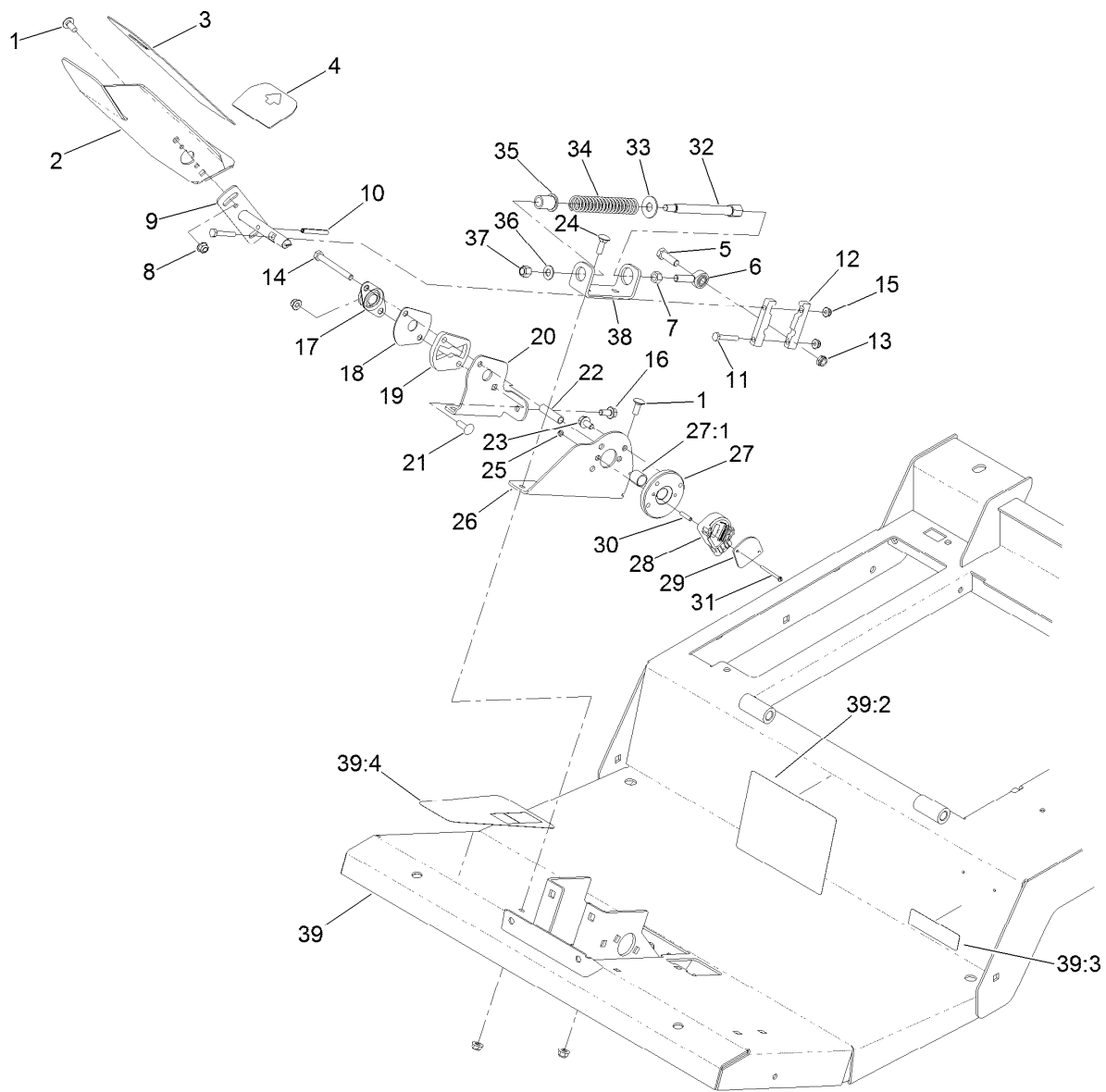
Hood Assembly

Ref.	Part Number	Qty.	Description	Ref.	Part Number	Qty.	Description
1	120-9090	1	Hood ASM	17	283-67	2	Pin-Clevis
1:1	106-6754	2	Decal-Danger	18	2412-134	2	Clamp-R
1:2	66-1210	2	Decal	19	3290-307	2	Pin-Cotter
2	120-9099-03	1	Pivot-Hood	20	120-9096-03	1	Screen-Hood, Rear
3	114-3823	1	Seal-Bulb	21	120-9097-03	1	Screen-Hood, Top
4	104-8300	2	Nut-HF, NI	22	3229-1	24	Screw-CARR
5	121-1470	2	Pivot-Screen	23	3230-2	2	Bolt-CARR
6	3290-467	2	Pin-Hair	24	117-2382	42	Plug-Plastic
7	120-4196-03	1	Support-Hood	25	120-9087	2	Seal-Foam
8	46-8092	4	Screw-Plastite	26	32128-33	2	Nut-HF
9	65-5100	2	Handle-Door	27	32104-4	2	Screw
10	104-3590	1	Seal-Bulb	28	321-4	2	Screw-HH
11	104-3588-03	2	Pivot-Screen	32	105-7360	2	Decal-Hood
12	94-5626	2	Flexible Draw Latch ASM	33	104-7201	25	Nut-HF
12:1	103-4080	1	Latch-Rubber	34	120-8948-03	1	Support-Hood, RH
12:2	103-4081	1	Latch-Keeper	35	3269-4	8	Rivet-Pop
13	104-3580	2	Seal-Corner, Screen	37	3256-1	1	Washer-Flat
14	32144-109	8	Screw-Thd	38	3274-65	1	Screw-HSBH
15	120-8949-03	1	Support-Hood, LH	39	127-3707-03	1	Support-Hood
16	104-8313	2	Rod-Hood	41	132-6181	1	Trim



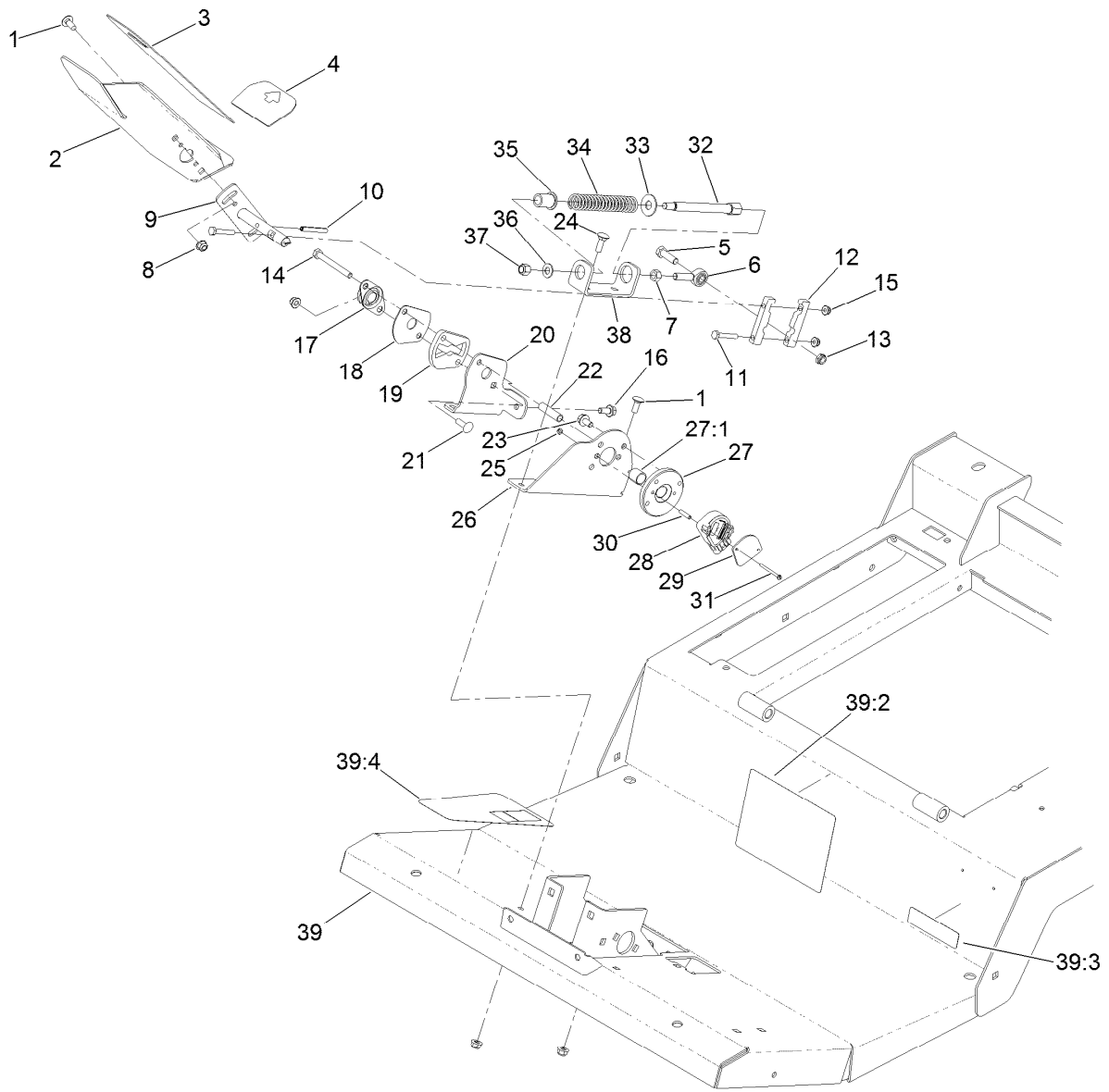
Fuel/Water Separator and Shield Assembly

<i>Ref.</i>	<i>Part Number</i>	<i>Qty.</i>	<i>Description</i>
1	3234-47	2	Screw-HHF
2	120-4188-03	1	Bracket-Guard, Fuel Tank
3	3229-11	2	Screw-CARR
4	3230-22	2	Screw-CARR
5	125-2914	1	Filter-Separator
5:1	125-2915	1	Filter-Fuel/Water Separator
6	353-781	2	Fitting-HYD, 90
7	92-2379	4	Clamp-Hose
8	3296-29	2	Nut-Lock, NI
9	3256-23	2	Washer-Plain
10	104-7201	2	Nut-HF
11	121-5613	1	Pump-Fuel, Electric
12	109-0309	1	Hose-Fuel
13	110-3256	1	Hose-Fuel



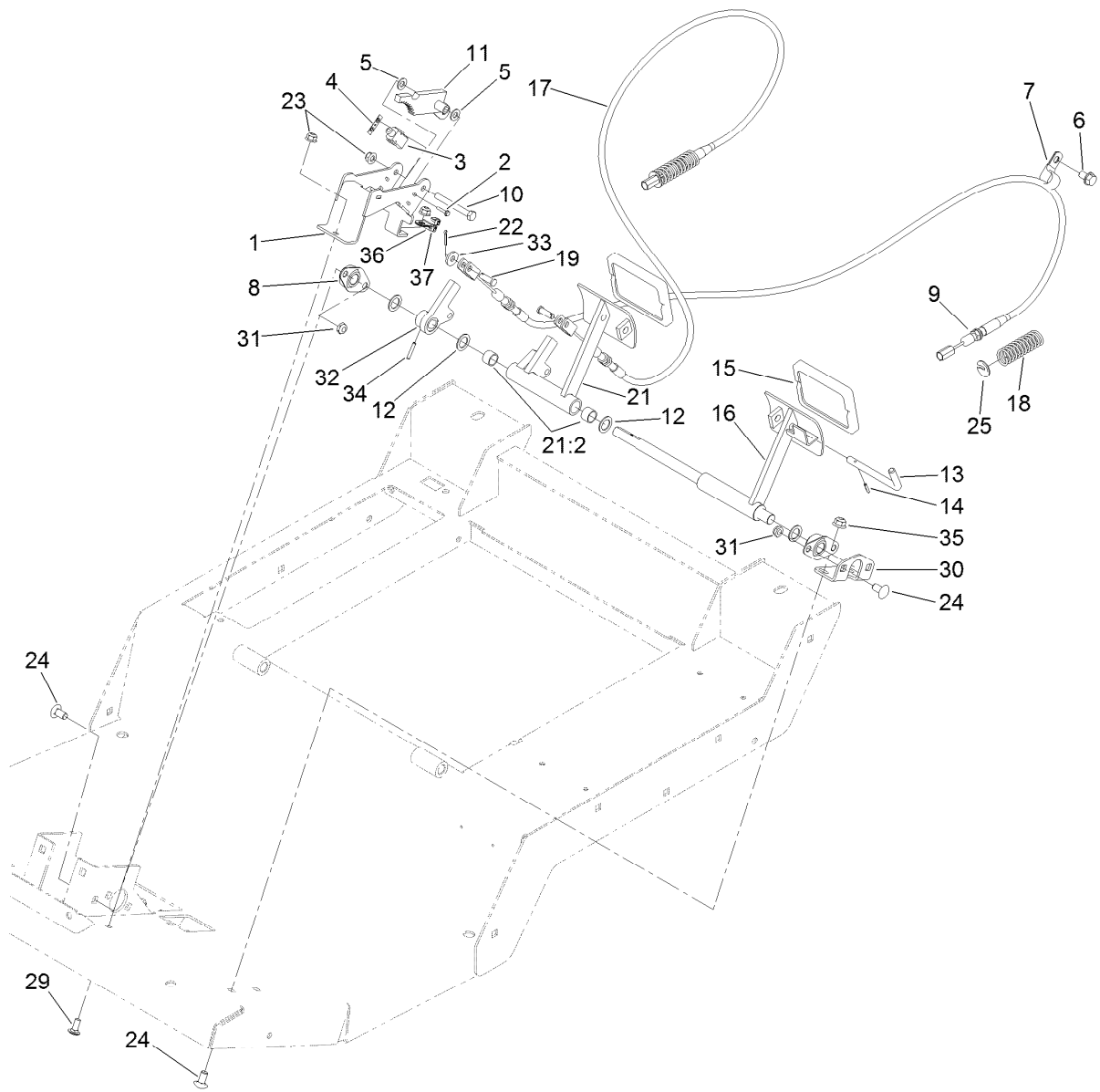
Traction Pedal and Platform Assembly

Ref.	Part Number	Qty.	Description	Ref.	Part Number	Qty.	Description
1	3230-23	5	Screw-CARR	22	93-7960	1	Spacer
2	136-4368-01	1	Pedal-Traction	23	114-7728	2	Screw-HF
3	93-5347	1	Abrasive-Pedal	24	3230-2	2	Bolt-CARR
4	93-5368	1	Abrasive-Pedal	25	3296-9	2	Nut-Hex
5	323-7	1	Screw-HH	26	136-4384-01	1	Bracket-Sender
6	2411-36	1	Bearing-End, Rod	27	117-5445	1	Bushing Hub ASM
7	3219-3	1	Nut-Hex	27:1	95-7497	1	Bushing-Wheel
8	104-8300	9	Nut-HF, NI	28	114-5609	1	Sensor-Position
9	131-2245	1	Shaft-Pedal, Traction	29	114-5595	1	Plate-Capture
10	32121-78	1	Pin-Roll	30	114-5608	2	Spacer-Standoff
11	321-37	2	Screw-HH	31	32105-25	2	Screw-SHH
12	117-5459	2	Block-Clamp	32	117-5446	1	Shaft-Spring
13	3296-59	1	Nut-Lock, NI	33	3256-5	1	Washer-Flat
14	322-14	1	Screw-HH	34	84-9100	1	Spring
15	104-7201	2	Nut-HF	35	92-7610	1	Retainer-Spring
16	3234-47	1	Screw-HHF	36	3256-24	1	Washer-Flat
17	256-236	1	Bearing-Mount, Flange	37	3296-6	1	Nut-Lock
18	117-5455	1	Plate-Cover	38	131-2252-01	1	Bracket-Spring
19	117-5454	1	Plate-Butterfly	39	132-6251	1	Platform ASM
20	131-2250-01	1	Bracket-Butterfly	39:2	114-0846	1	Decal-Instructions, Operating
21	3230-22	1	Screw-CARR				



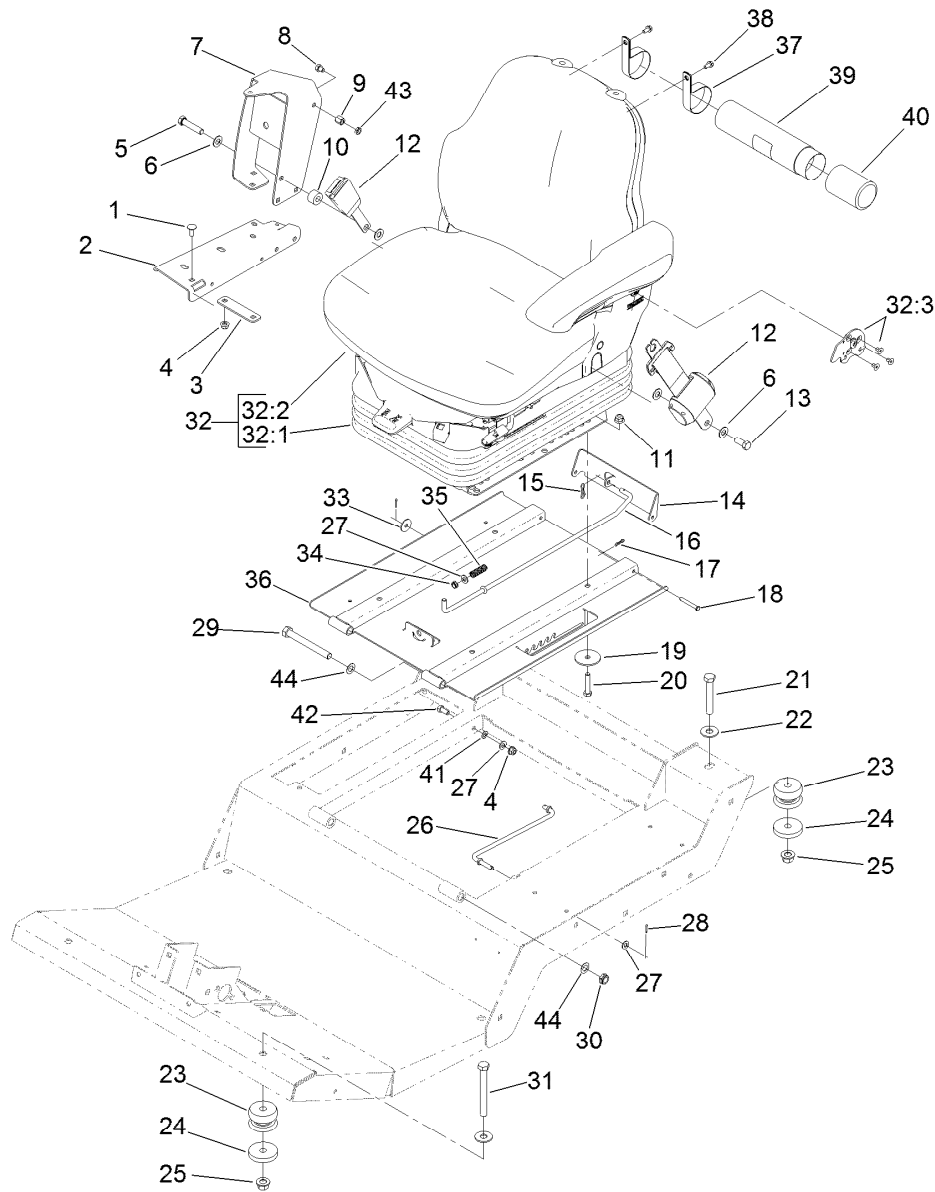
Traction Pedal and Platform Assembly (continued)

<i>Ref.</i>	<i>Part Number</i>	<i>Qty.</i>	<i>Description</i>
39:3	117-2718	1	Decal-Arrester, Spark
39:4	114-0849	1	Decal-Pedal, Traction



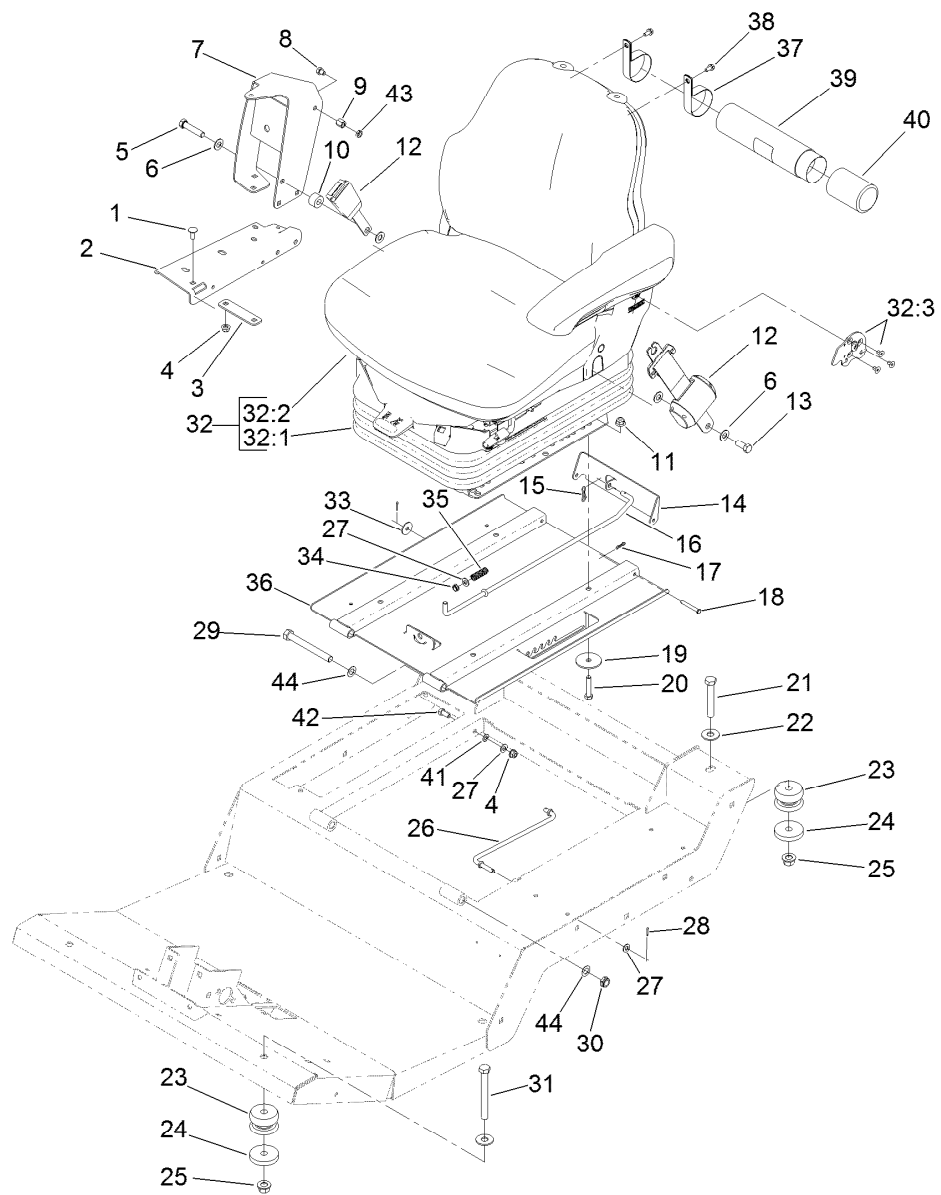
Brake Pedal Assembly

Ref.	Part Number	Qty.	Description	Ref.	Part Number	Qty.	Description
1	132-6259-03	1	Mount-Switch	18	94-3088	2	Spring-Compression
2	117-5458	4	Screw-HHF	19	120-9694	2	Pin-Clevis
3	99-3410	2	Switch	21	132-6252	1	Pedal-Brake, RH
4	108-9824	2	Nut-Switch	21:2	256-42	2	Bushing
5	3256-23	2	Washer-Plain	22	3272-6	2	Pin-Cotter
6	32144-69	2	Screw-HWHTF	23	104-8300	3	Nut-HF, NI
7	2412-4	2	Clamp-R	24	3231-21	6	Screw-CARR
8	256-236	2	Bearing-Mount, Flange	25	94-3050	2	Plate-Spring
9	120-8899	1	Cable-Brake, LH	29	3230-23	2	Screw-CARR
10	322-13	1	Screw-HH	30	132-6247-01	1	Mount-Bearing
11	132-6290-03	1	Rack	31	3296-59	4	Nut-Lock, NI
12	3256-69	4	Washer-Flat	32	132-6229	1	Arm-Cable, Brake
13	63-7880	1	Pin-Latch, Brake	33	4-2390	2	Washer-Flat
14	32121-50	1	Pin-Spring	34	32121-125	1	Pin-Spring
15	93-8742	2	Footpad-Brake	35	104-8301	2	Nut-HF, NI
16	132-6288-01	1	Pedal-Brake, LH	36	88-7970	1	Clip
17	120-8898	1	Cable-Brake, RH	37	1-303287	2	Tie-Cable



Seat Base and Seat Assembly

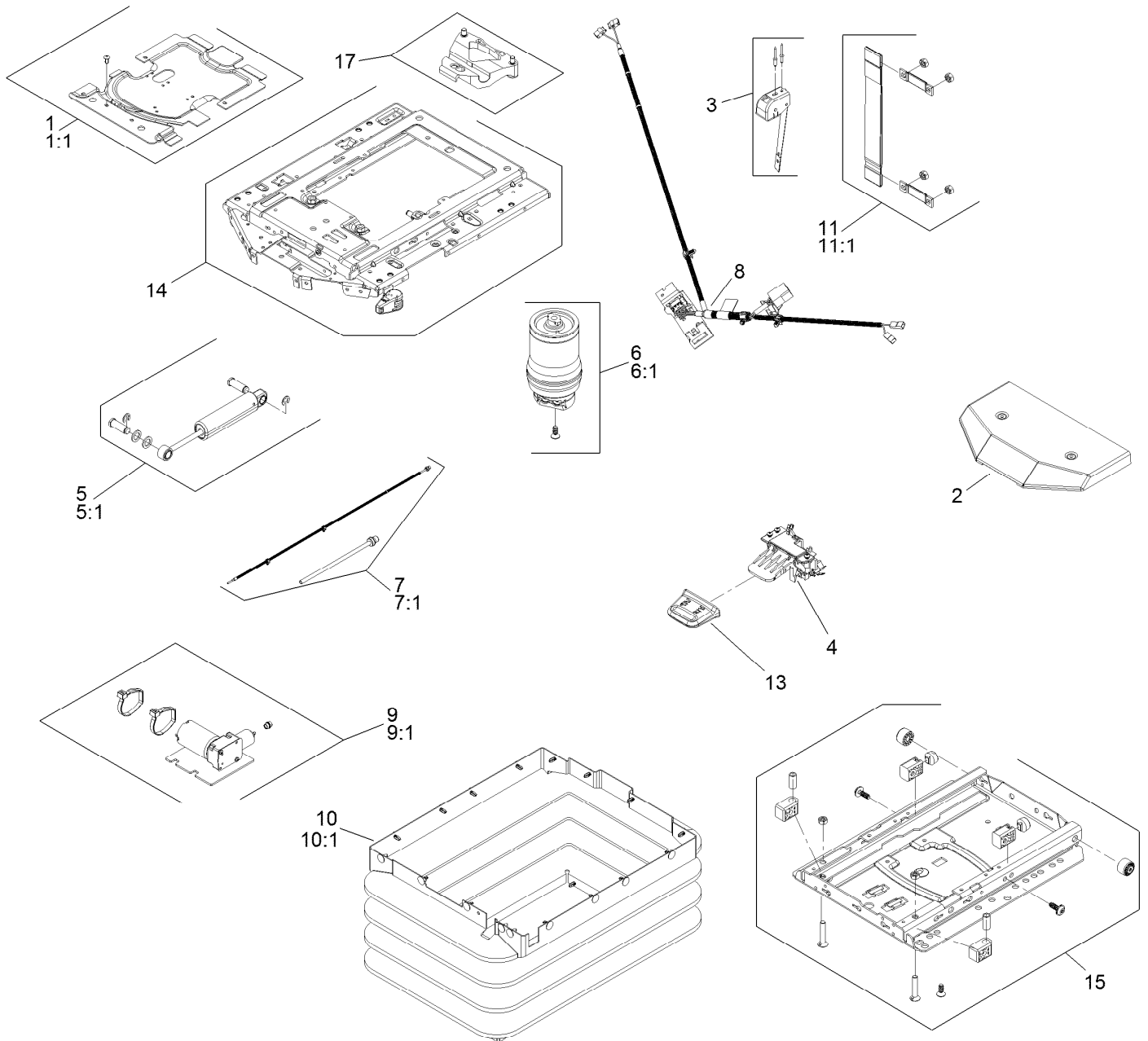
Ref.	Part Number	Qty.	Description	Ref.	Part Number	Qty.	Description
1	3230-23	6	Screw-CARR	22	3256-6	4	Washer-Flat
2	119-0000-03	1	Channel-Support	23	110-5954	4	Mount-Center, Bonded
3	112-7449-03	1	Bracket-Support	24	115-5519	4	Washer-Plain
4	104-8300	7	Nut-HF, NI	25	99-5107	4	Nut-Lock
5	3212-8	1	Screw-HH	26	93-5338	1	Rod-Prop
6	3256-25	4	Washer-Flat	27	3256-23	3	Washer-Plain
7	117-4798-03	1	Arm-Support	28	3272-5	2	Pin-Cotter
8	108-8646	1	Screw-HH, Lock	29	325-18	2	Screw-HH
9	112-7405	1	Nut-Hex, Coupling	30	3296-45	2	Nut-Hex
10	17-7190	1	Spacer-Finger	31	702093	2	Screw-HH
11	104-8301	4	Nut-HF, NI	32	130-2701	1	Seat And Suspension ASM
12	110-0413	1	Seatbelt-Retractable	32:1	130-2702	1	Air Ride Seat Suspension
13	3212-4	1	Screw-HH	32:2	117-5676	1	Premium Seat ASM
14	120-9017-03	1	Latch-Seat	32:3	132-1304	1	Backrest Adjustment Kit
15	119-1415	1	Pin-Cotter, Locking	33	3256-82	1	Washer-Flat
16	120-9018	1	Rod-Latch	34	5979	1	Bushing-Nyliner
17	119-1414	2	Pin-Cotter, Locking	35	95-1821-03	1	Spring-Compression
18	283-57	2	Pin-Clevis	36	130-6019-03	1	Plate-Seat
19	83-1040	4	Washer-Flat	37	2412-133	2	Clamp-R
20	323-9	4	Screw-HH	38	32104-116	2	Screw-HWHTF
21	112-7264	2	Screw-HH	39	104-7050	1	Tube-Manual



Seat Base and Seat Assembly (continued)

<i>Ref.</i>	<i>Part Number</i>	<i>Qty.</i>	<i>Description</i>	<i>Ref.</i>	<i>Part Number</i>	<i>Qty.</i>	<i>Description</i>
40	104-7048	1	Cap-Housing	43	117-4059	1	Nut-Hex
41	3255-8	1	Washer-Lock	44	36-4780	4	Washer-Plain
42	322-3	1	Screw-HH				

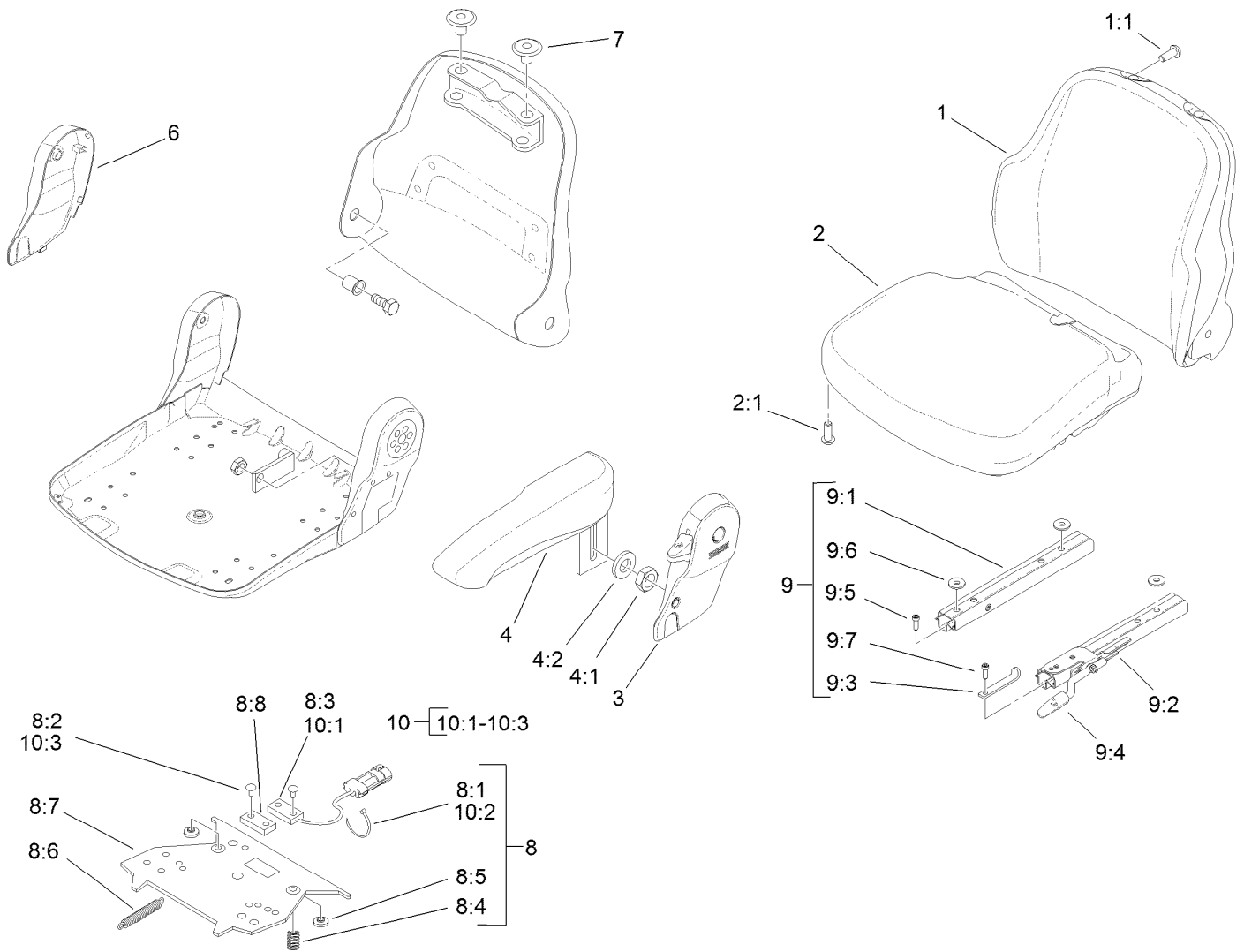
Seat Suspension Assembly No. 130-2702



Seat Suspension Assembly No. 130-2702 (continued)

<i>Ref.</i>	<i>Part Number</i>	<i>Qty.</i>	<i>Description</i>	<i>Ref.</i>	<i>Part Number</i>	<i>Qty.</i>	<i>Description</i>
1	130-2709	1	Cover ASM	9	130-2719	1	Compressor
1:1	130-2710	1	Cover Kit	9:1	130-2720	1	Compressor Kit
2	108-8027	1	Cover	10	130-2721	1	Bellows ASM
3	130-2711	1	Control-Level	10:1	130-2722	1	Bellows Kit
4	108-8029	1	Valve-Control, Air	11	130-2723	1	Tether
5	130-2712	1	Shock Absorber ASM	11:1	130-2724	1	Tether Kit
5:1	130-2713	1	Shock Absorber Kit	12	130-2725	1	Wear Parts Kit ●
6	130-2714	1	Air Spring ASM	13	130-2726	1	Handle
6:1	130-2715	1	Air Spring Kit	14	130-2727	1	Upper Suspension Kit
7	130-2716	1	Air Tube ASM	15	130-2728	1	Lower Suspension Kit
7:1	130-2717	1	Air Tube Kit	16	130-2729	1	Adjuster Mounting Kit ●
8	130-2718	1	Harness-Wire	17	130-2730	1	Limiters-Thrust

● Not illustrated

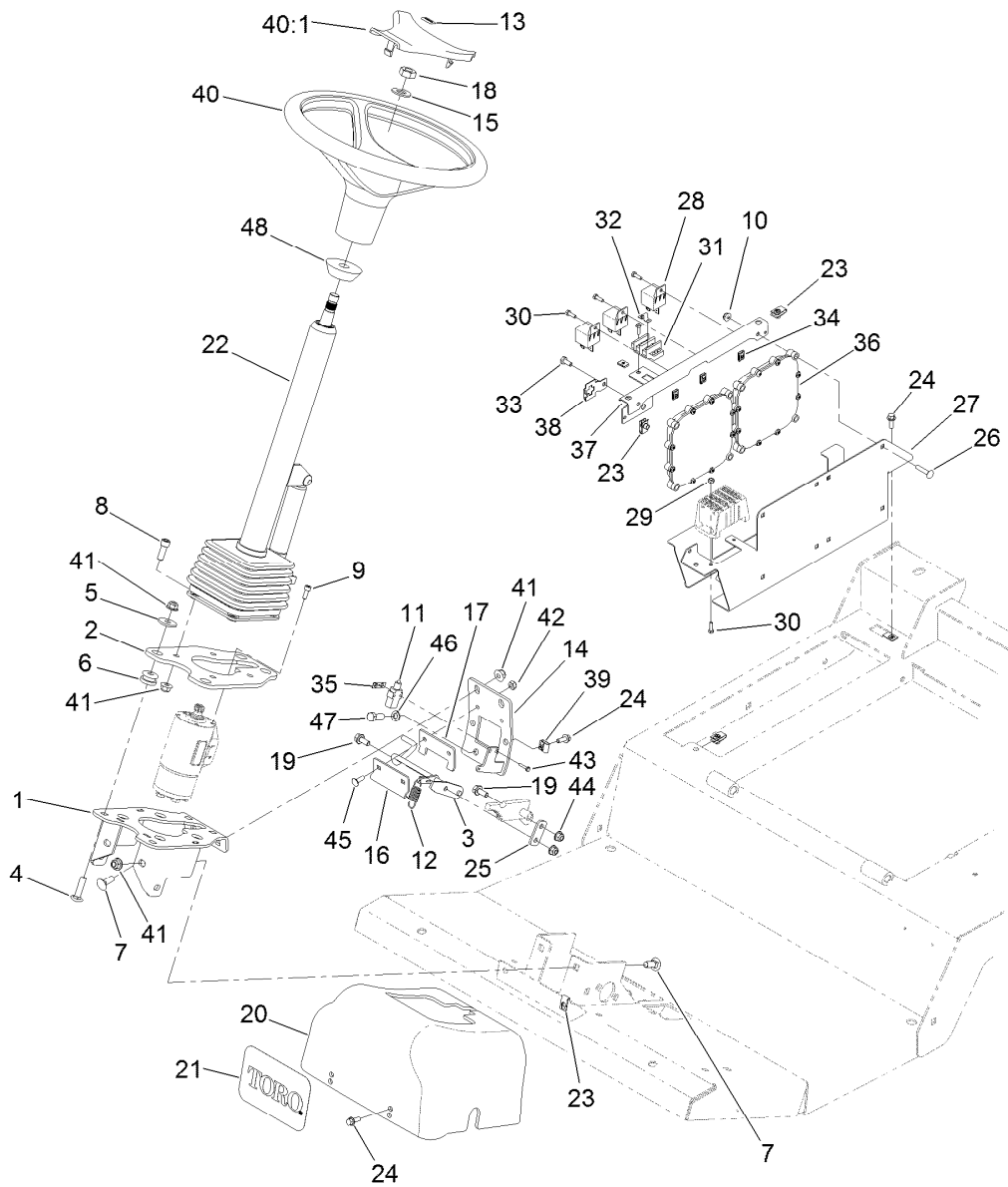


Vinyl Premium Seat Assembly No. 117-5676

Ref.	Part Number	Qty.	Description
1	108-8016	1	Backrest Cushion ASM
1:1	119-7742	4	Screw-Cushion
2	108-8017	1	Seat Cushion ASM
2:1	119-7742	3	Screw-Cushion
3	108-8018	1	Cover-Armrest
4	108-8019	1	LH Armrest ASM
4:1	82-9650	1	Nut
4:2	107-1198	1	Washer
6	108-8021	1	Cover-Armrest
7	108-8022	2	Cover-Black
8	108-8024	1	Switch Kit
8:1		3	Wire Tie ●
8:2		4	Rivet ●
8:3		1	Sensor-Seat Switch ●
8:4		2	Spring-Compression ●
8:5		2	Bumper-Pressure Plate ●

Ref.	Part Number	Qty.	Description
8:6		1	Spring-Extension ●
8:7		1	Plate-Mounting ●
8:8		1	Magnet ●
9	108-8025	1	Adjustment Rail Set
9:1		1	Rail-Adjustment, RH ●
9:2		1	Rail-Adjustment, LH ●
9:3		1	Stop-Rail ●
9:4		1	Handle ●
9:5		3	Screw ●
9:6		3	Washer ●
9:7		1	Screw ●
10	110-6189	1	Switch Kit
10:1		1	Switch ●
10:2		3	Wire Tie ●
10:3		2	Rivet ●

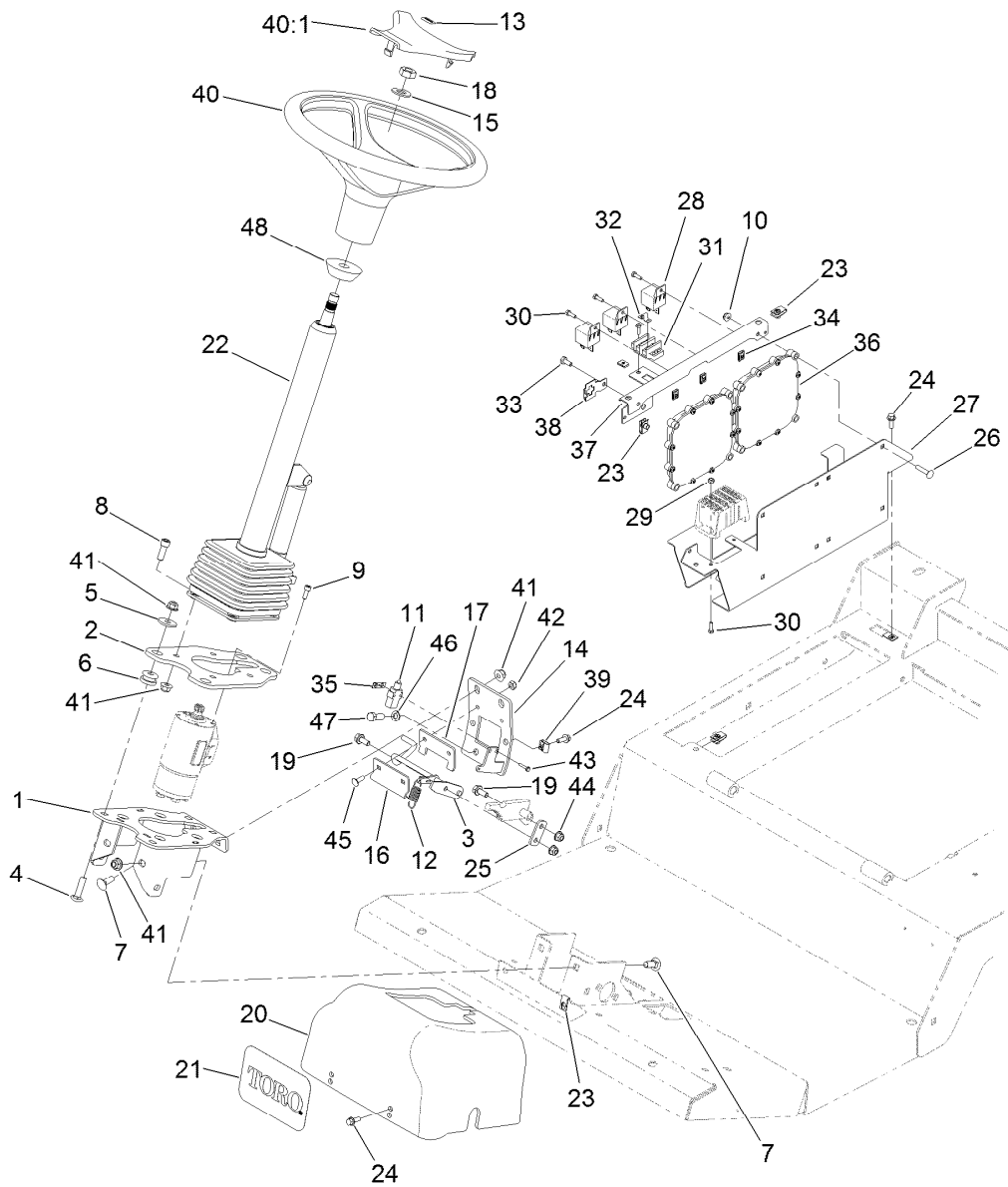
● Not serviced separately



Steering and Controller Assembly

Ref.	Part Number	Qty.	Description
1	132-6260-03	1	Mount
2	132-6266-03	1	Plate-Mount, Column
3	132-6285	1	Rod-Brake
4	3231-26	4	Screw-CARR
5	63-8410	4	Washer
6	63-9750	4	Mount
7	3231-2	6	Bolt-CARR
8	3274-7	4	Screw-HSH
9	105-2409	4	Screw-HSH
10	104-7201	8	Nut-HF
11	99-3410	1	Switch
12	119-7676	1	Spring-Extension
13	98-1459	1	Decal
14	132-6225-03	1	Support-Rear
15	3256-27	1	Washer-Flat
16	132-6283	1	Plate-Brake
17	132-6284	1	Plate-Brake
18	3296-33	1	Nut-Lock, NI
19	3234-47	2	Screw-HHF
20	132-6244	1	Cover-Steering
21	105-1217	1	Decal

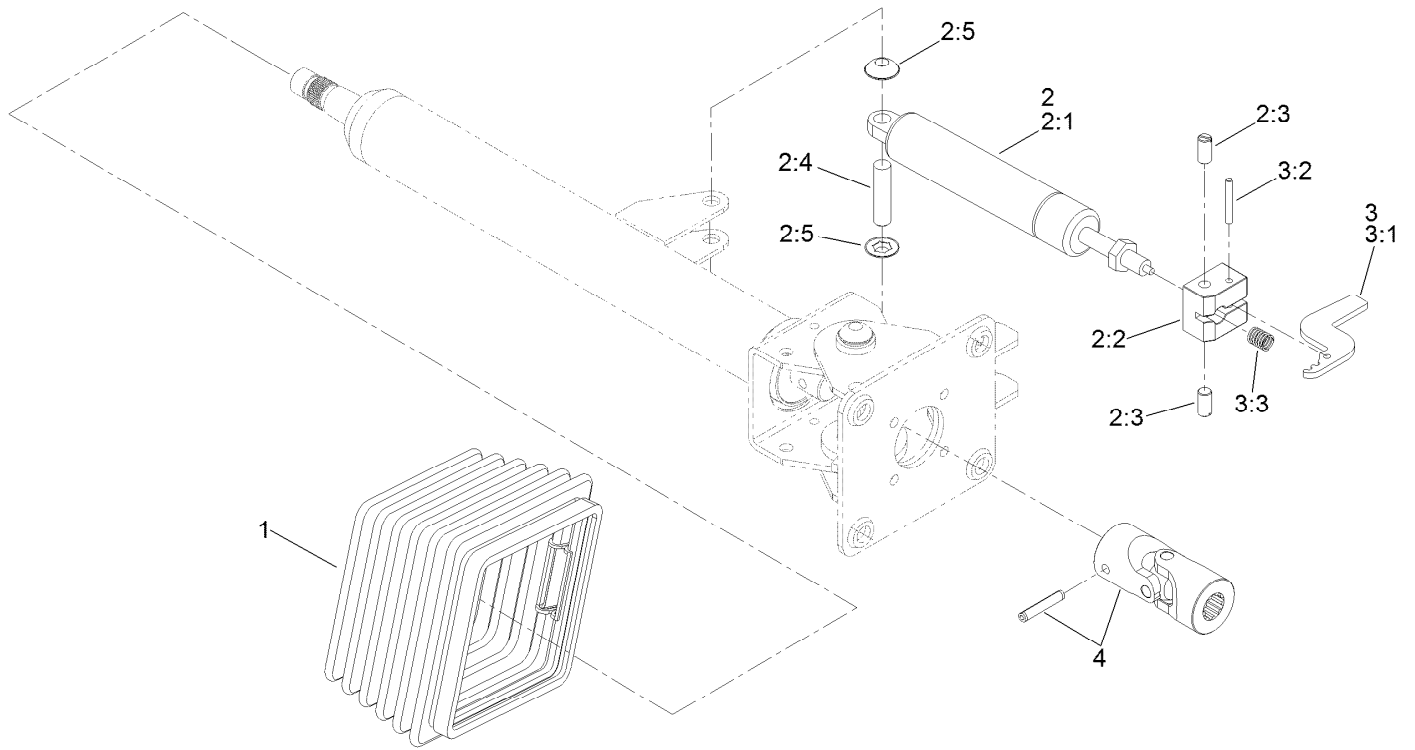
Ref.	Part Number	Qty.	Description
22	132-6230	1	Steering Tilt Column ASM
23	107069	7	Clip
24	3234-4	6	Screw-HHF
25	119-0110	1	Link-Brake
26	3229-3	8	Screw-CARR
27	120-4093-03	1	Mount-Power
28	99-7435	3	Relay
29	3296-12	2	Nut-Lock, NI
30	3290-134	7	Screw
31	42862	1	Block-Terminal, Ground
32	42863	1	Strip-Jumper
33	321-3	1	Screw-HH
34	107-1013	5	Nut-Speed
35	108-9824	1	Nut-Switch
36	114-3321	2	Controller-Tec
37	120-4127-03	1	Mount-Relay
38	114-5502	1	Clip-Fuse
39	609900	2	Nut-Speed
40	98-1471	1	Wheel-Steering
40:1	98-1468	1	Cover-Wheel, Steering
41	104-8301	14	Nut-HF, NI



Steering and Controller Assembly (continued)

Ref.	Part Number	Qty.	Description
42	3296-16	2	Nut-Lock, NI
43	117-5458	2	Screw-HHF
44	104-8300	2	Nut-HF, NI
45	1-807512	2	Bolt-CARR

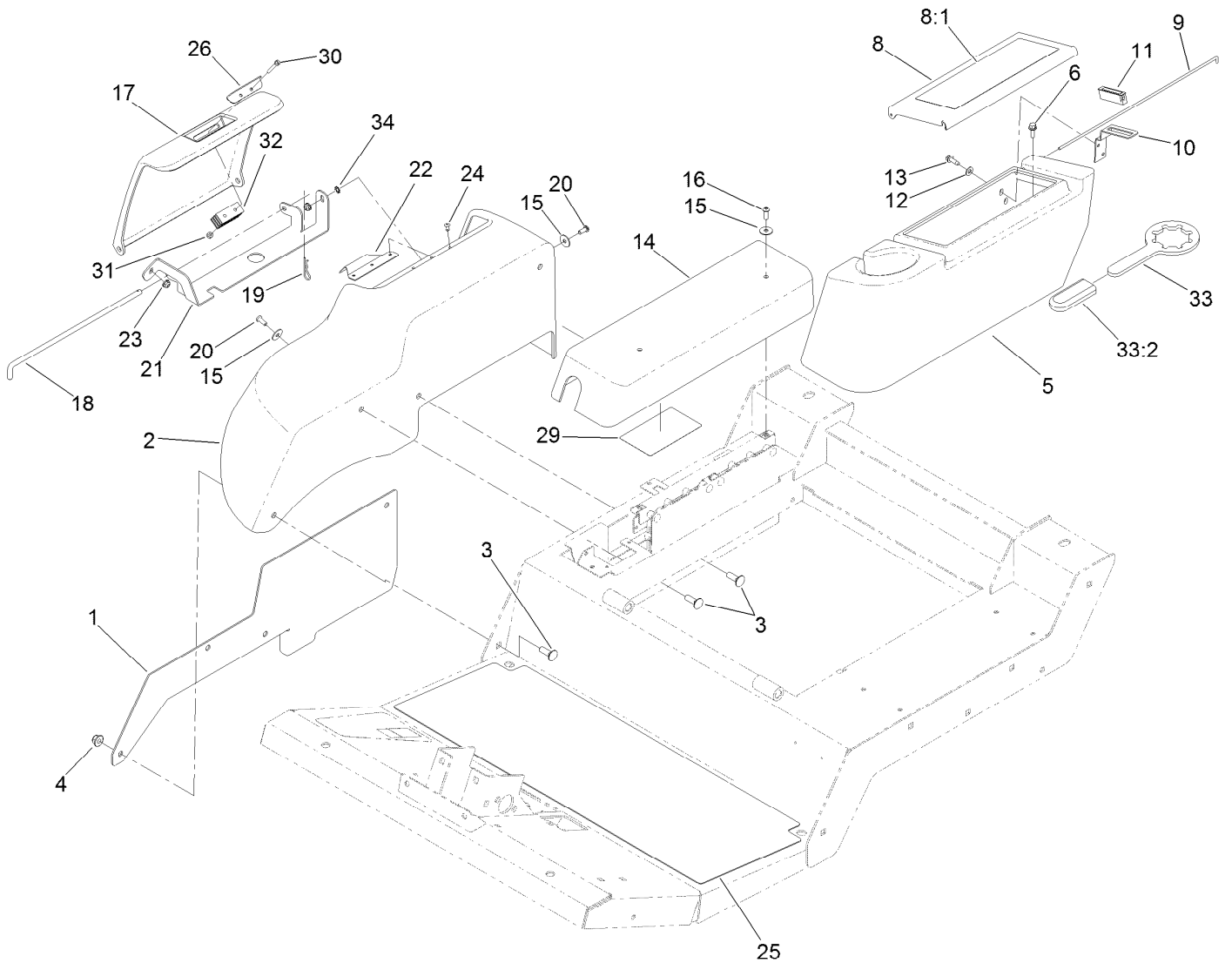
Ref.	Part Number	Qty.	Description
46	3253-21	2	Washer-Lock
47	323-6	2	Screw-HH
48	93-5429	1	Collar-Foam



Steering Column Assembly No. 132-6230

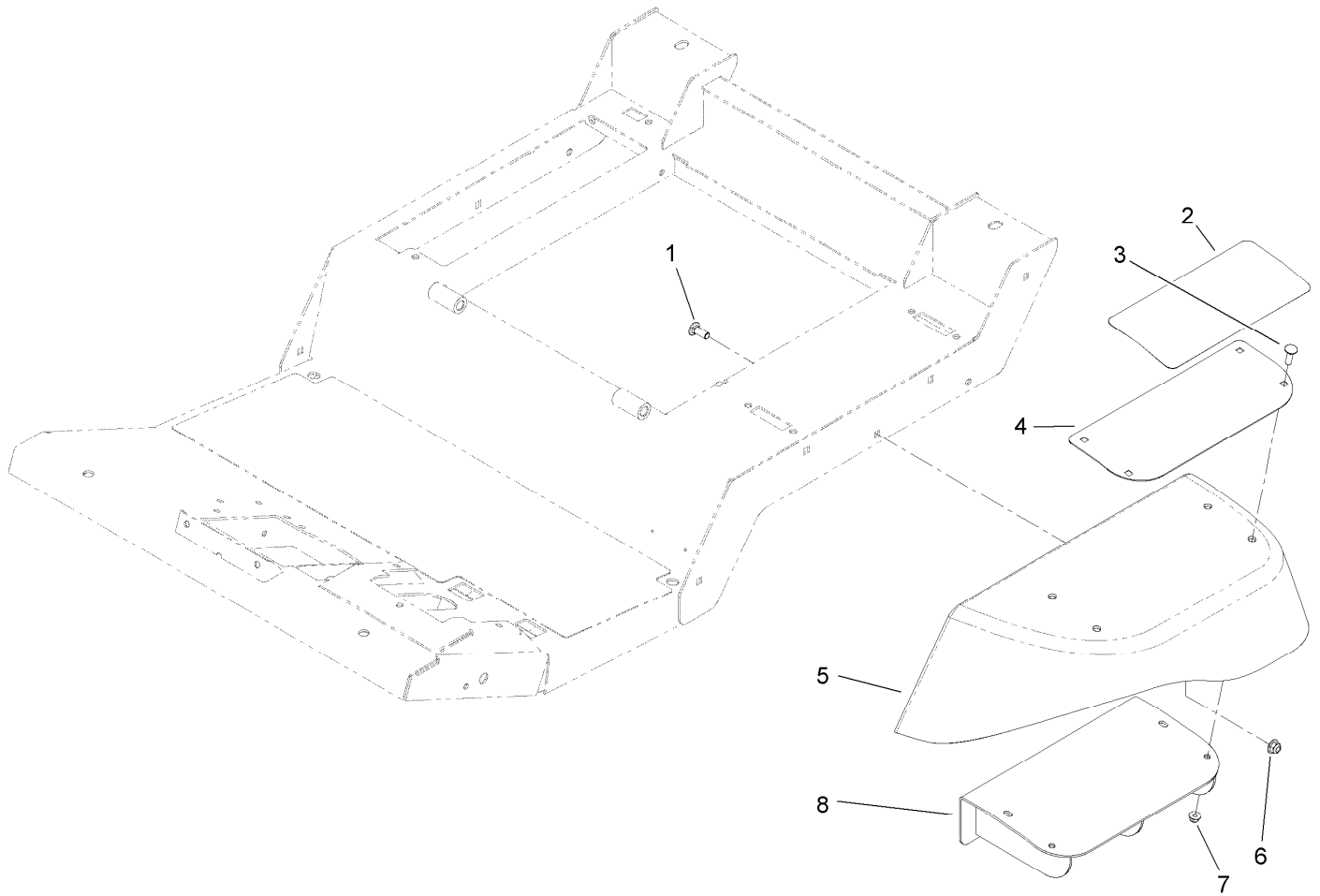
Ref.	Part Number	Qty.	Description
1	110-6462	1	Bellows-Rubber
2	110-6463	1	Cylinder Service Kit
2:1		1	Cylinder-Gas ●
2:2		1	Block-Pedal ●
2:3		2	Bolt ●
2:4		1	Pin ●
2:5		2	Washer-Lock ●
3	136-4385	1	Pedal Service Kit
3:1		1	Pedal ●
3:2		1	Pin ●
3:3		1	Spring ●
4	120-6256	1	Universal Joint Kit

● Not serviced separately



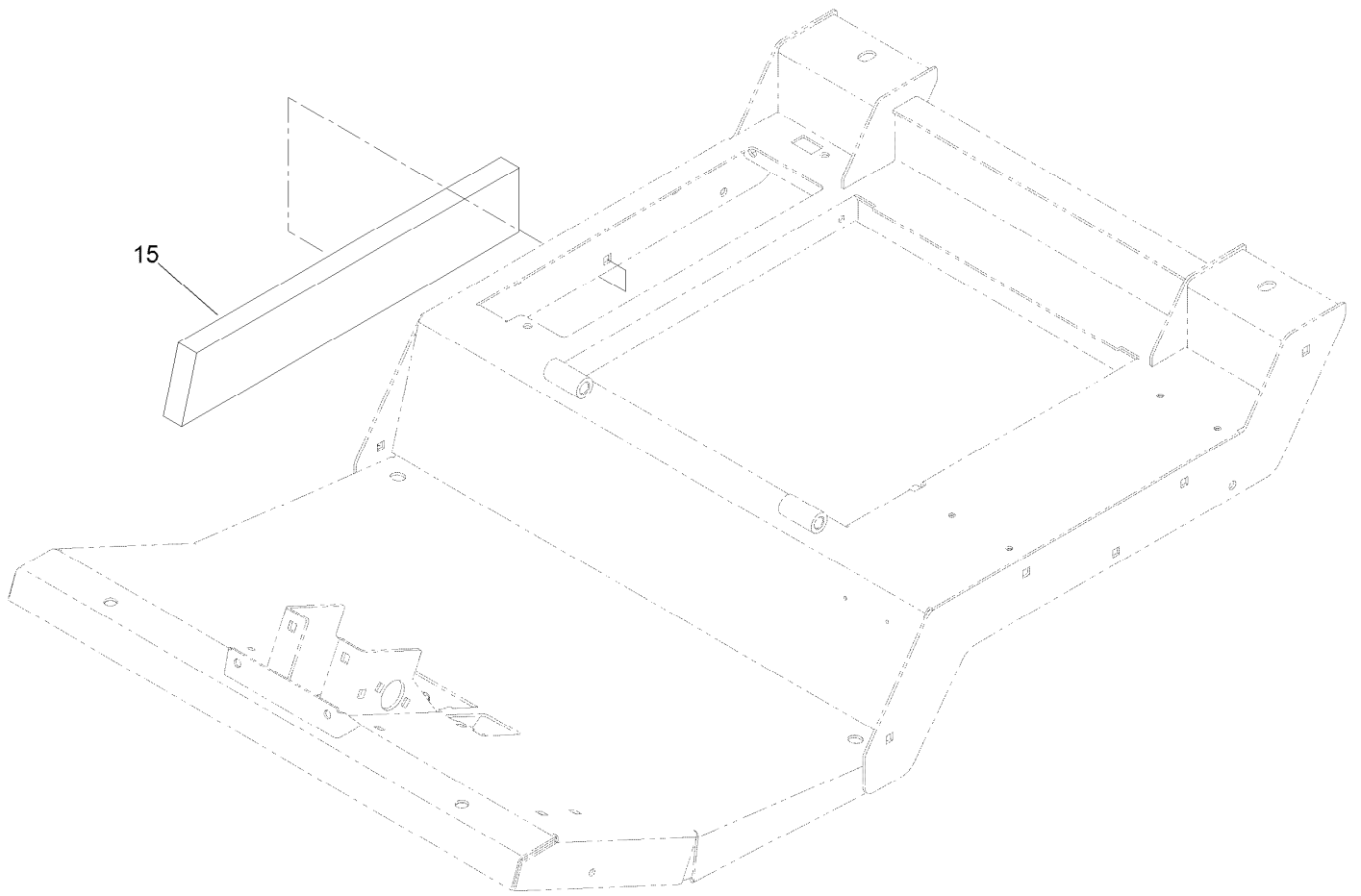
Fender, Tool Box and Cover Assembly

Ref.	Part Number	Qty.	Description	Ref.	Part Number	Qty.	Description
1	121-1579-03	1	Plate-Fender, RH	17	120-4115	1	Cover-Battery
2	120-4113	1	Fender-RH	18	121-1588	1	Rod-Hinge
3	3231-38	4	Screw-CARR	19	3290-467	1	Pin-Hair
4	104-8301	4	Nut-HF, NI	20	3274-31	2	Screw-HSBH
5	120-4125	1	Housing-Tool Box	21	121-1586-03	1	Mount-Cover
6	3234-4	4	Screw-HHF	22	127-3706	1	Plate-Cover
8	120-4124	1	Tool Box Cover ASM	23	104-7201	2	Nut-HF
8:1	117-2754	1	Decal-Warning	24	3269-23	3	Rivet-Pop
8:1	117-2766	1	Decal-Warning, CE	25	132-6226	1	Tread-Foot, Abrasive
9	120-4122	1	Rod-Hinge	26	127-3705	1	Plate-Cover
10	104-7545	1	Bracket-Latch	29	136-4436	1	Decal-Fuses
11	58-4250	1	Catch-Magnetic	30	32105-1	2	Screw-SHH
12	3256-22	2	Washer-Flat	31	3296-2	2	Nut-Lock, NI
13	32104-95	2	Screw-HWH	32	69-6260	1	Magnet
14	120-4126	1	Cover-Controllers	33	121-3874	1	Wrench ASM
15	87-6630	4	Washer-Plain	33:2	119-1846	1	Grip
16	3274-69	2	Screw-HSBH	34	3255-7	1	Washer-Lock/EXT



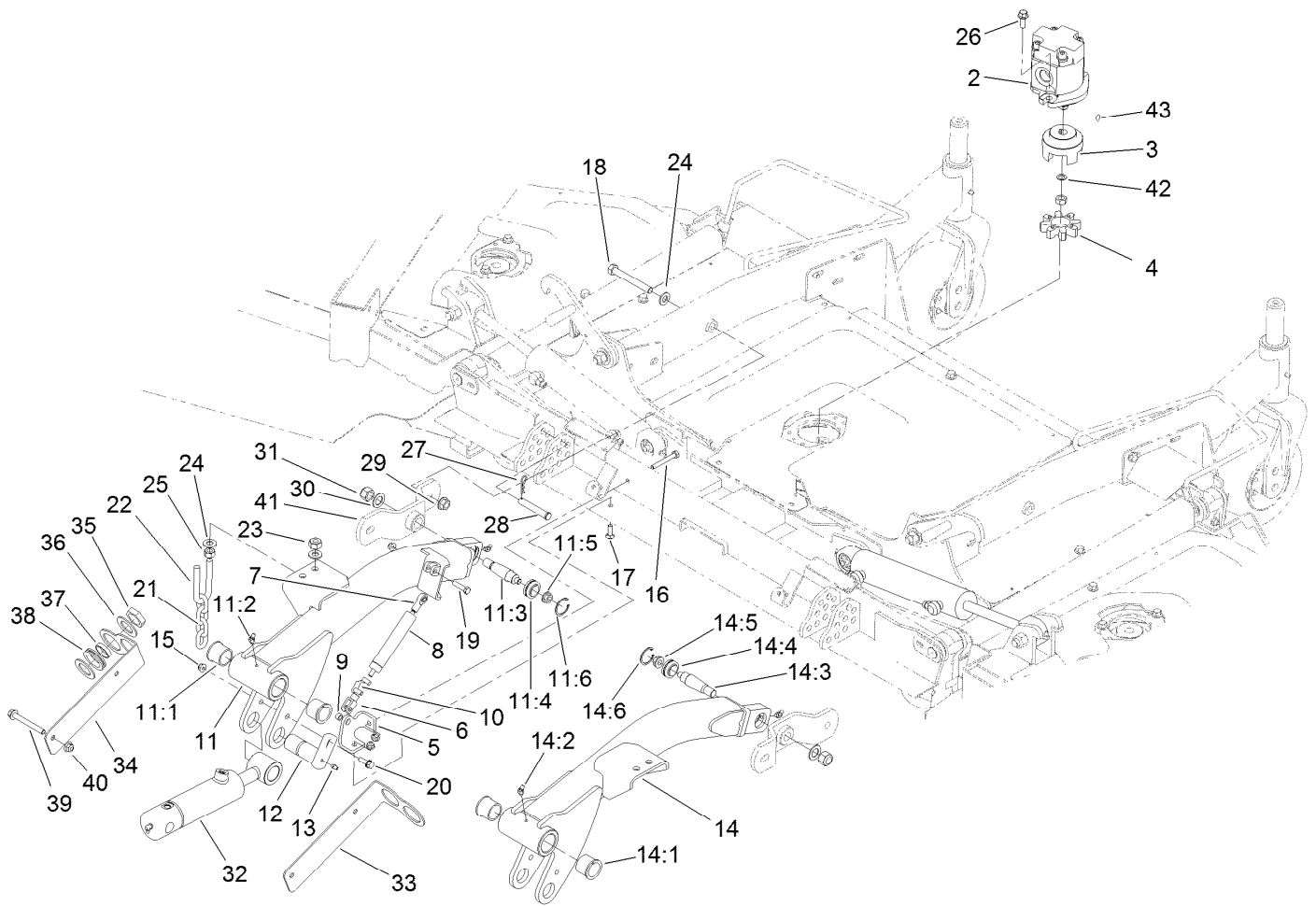
Fender and Step Support Assembly

Ref.	Part Number	Qty.	Description
1	3231-38	4	Screw-CARR
2	120-4116	1	Pad-Step, Abrasive
3	3230-28	4	Screw-CARR
4	120-4117-03	1	Plate-Step
5	121-1585	1	Fender-LH
6	104-8301	4	Nut-HF, NI
7	104-8300	4	Nut-HF, NI
8	120-8900-03	1	Support-Step



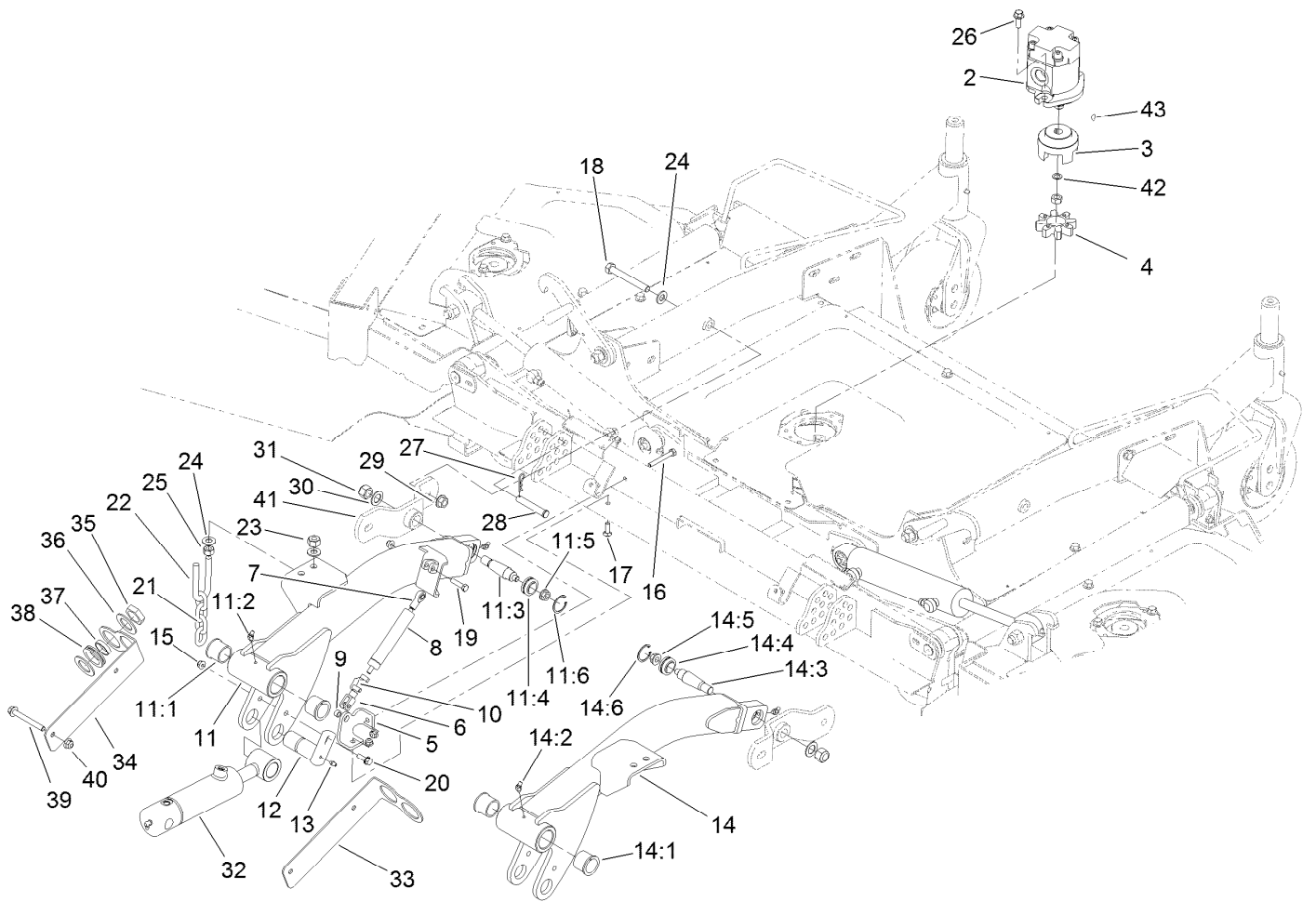
Acoustic Foam Assembly

<i>Ref.</i>	<i>Part Number</i>	<i>Qty.</i>	<i>Description</i>
15	127-3708	1	Foam-Right



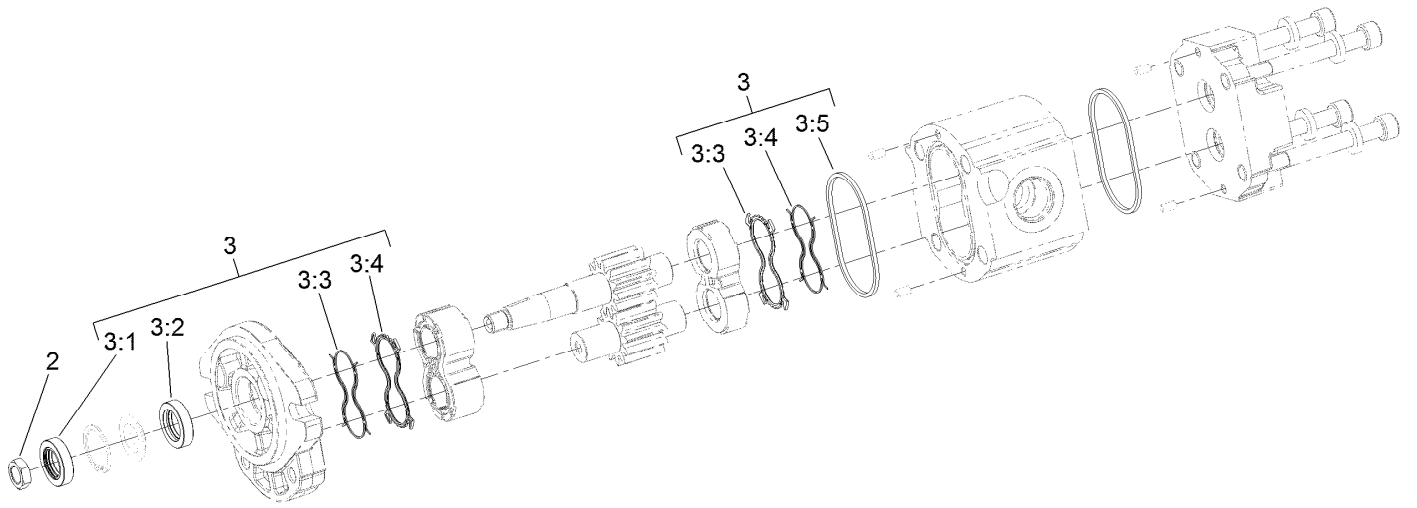
Front Deck Lift Arm Assembly

Ref.	Part Number	Qty.	Description	Ref.	Part Number	Qty.	Description
2	127-3694	3	HYD Motor ASM	14:3	105-7468	1	Stud-Tapered
3	104-3541	3	Hub-Spider	14:4	105-7441	1	Bearing-Spherical
4	104-3542	3	Spider	14:5	32128-42	1	Nut-HF
5	120-9015-01	1	Support-Damper	14:6	32151-34	1	Ring-Retaining
6	115-5455	1	End-Rod, Clevis	15	104-8300	5	Nut-HF, NI
7	104-8331	1	End-Rod, Spherical	16	322-12	1	Screw-HH
8	105-3249	1	Damper	17	3230-22	1	Screw-CARR
9	115-2142	1	Spacer	18	325-17	4	Screw-HH
10	115-5454	1	Pin-Spring	19	322-17	1	Screw-HH
11	120-9013	1	LH Lift Arm ASM	20	3234-29	2	Screw-HHF
11:1	104-0015	2	Bushing-Flange	21	95-6231	2	Chain-HOC
11:2	302-11	2	Fitting-Lube, 45 DEG	22	104-0108	2	U-Bolt
11:3	105-7468	1	Stud-Tapered	23	3296-25	4	Nut-Lock, NI
11:4	105-7441	1	Bearing-Spherical	24	3256-26	12	Washer-Flat
11:5	32128-42	1	Nut-HF	25	3217-9	4	Nut-HH
11:6	32151-34	1	Ring-Retaining	26	3234-42	6	Screw-HHF
12	125-1912	2	Pin-Pivot	27	3290-467	2	Pin-Hair
13	302-5	2	Fitting-Grease	28	283-55	2	Pin-Clevis
14	120-9012	1	RH Lift Arm ASM	29	32128-23	4	Nut-HF
14:1	104-0015	2	Bushing-Flange	30	86-1440	2	Washer-Flat
14:2	302-11	2	Fitting-Lube, 45 DEG	31	3296-41	2	Nut-Lock NI



Front Deck Lift Arm Assembly (continued)

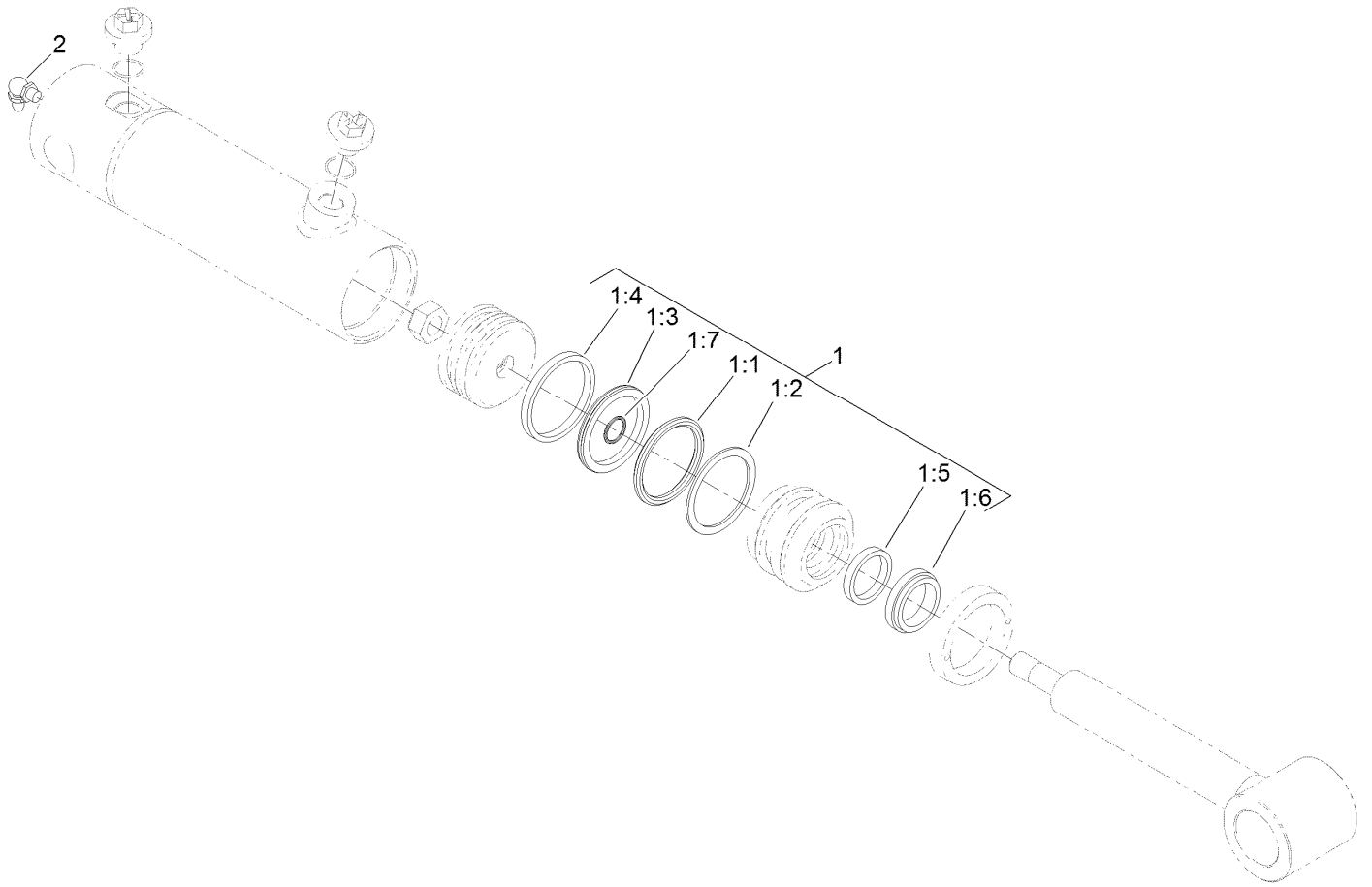
<i>Ref.</i>	<i>Part Number</i>	<i>Qty.</i>	<i>Description</i>	<i>Ref.</i>	<i>Part Number</i>	<i>Qty.</i>	<i>Description</i>
32	120-8822	2	HYD Cylinder ASM	38	240-7	4	Grommet-Rubber
33	121-1499-03	1	Plate-Mount, Bulkhead, RH	39	3234-41	4	Screw-HHF
34	121-1494-03	1	Plate-Mount, Bulkhead, LH	40	104-8301	4	Nut-HF, NI
35	340-126	4	Nut-Bulkhead	41	115-5442-01	2	Support-Hub
36	69-8910	8	Washer	42	112-6957	3	Washer-Hardened
37	69-8900	4	Spacer	43	3257-3	3	Key-Woodruff



Hydraulic Motor Assembly No. 127-3694

<i>Ref.</i>	<i>Part Number</i>	<i>Qty.</i>	<i>Description</i>
2	110-8815	1	Nut-Hex
3	114-5620	1	Seal Kit
3:1		1	Seal-Shaft ●
3:2		1	Seal-Shaft ●
3:3		2	Seal-Anti Extrusion ●
3:4		2	Seal-Plate, Balancing ●
3:5		2	O Ring-Housing ●

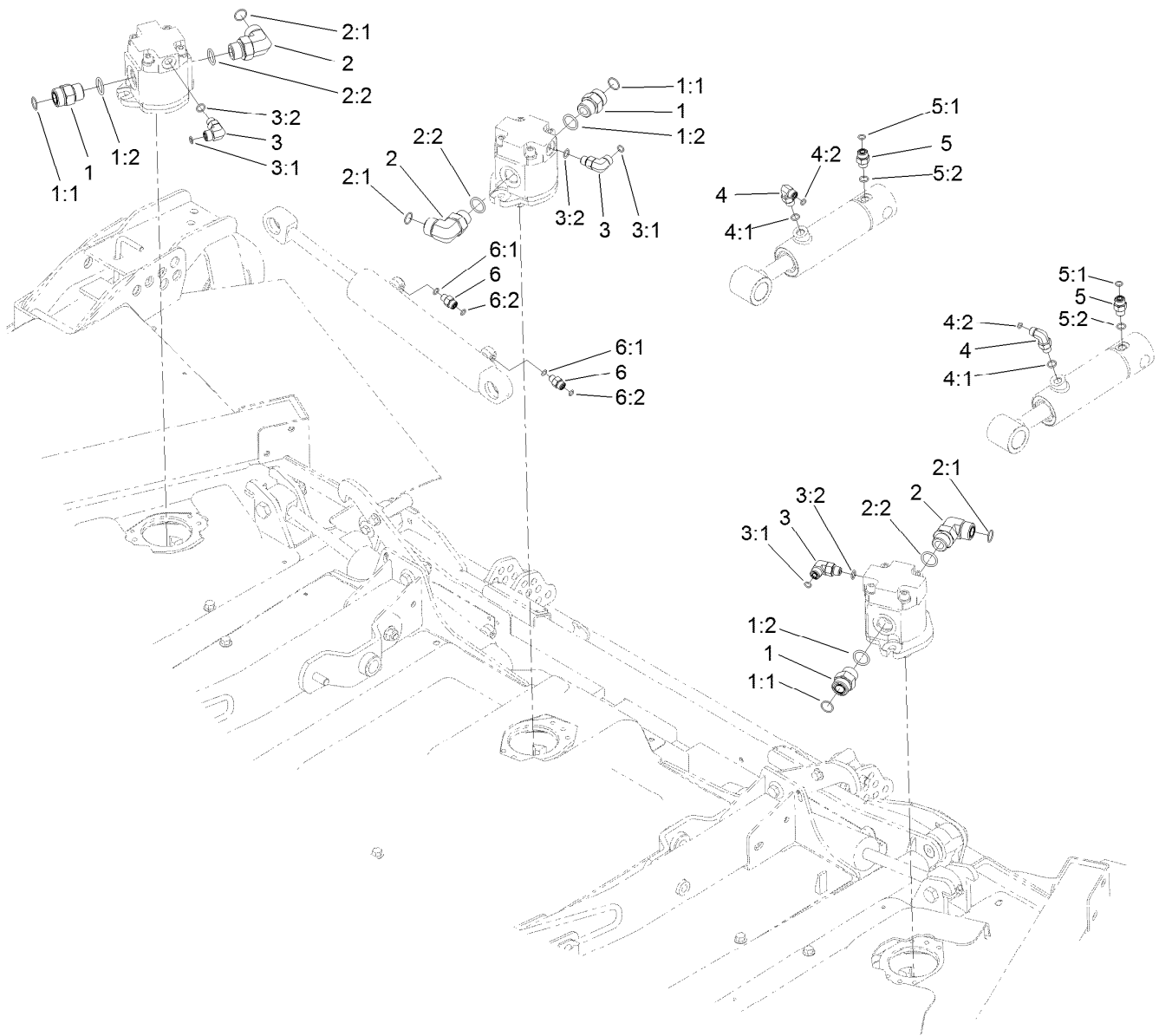
● Not serviced separately



Hydraulic Cylinder Assembly No. 120-8822

<i>Ref.</i>	<i>Part Number</i>	<i>Qty.</i>	<i>Description</i>
1	125-4300	1	Seal Kit
1:1		1	O-Ring ●
1:2		1	Backup ●
1:3		1	Bp Seal ●
1:4		1	Wear Ring ●
1:5		1	Bt Seal ●
1:6		1	Dust Seal ●
1:7		1	O-Ring ●
2	302-60	1	Fitting-Grease

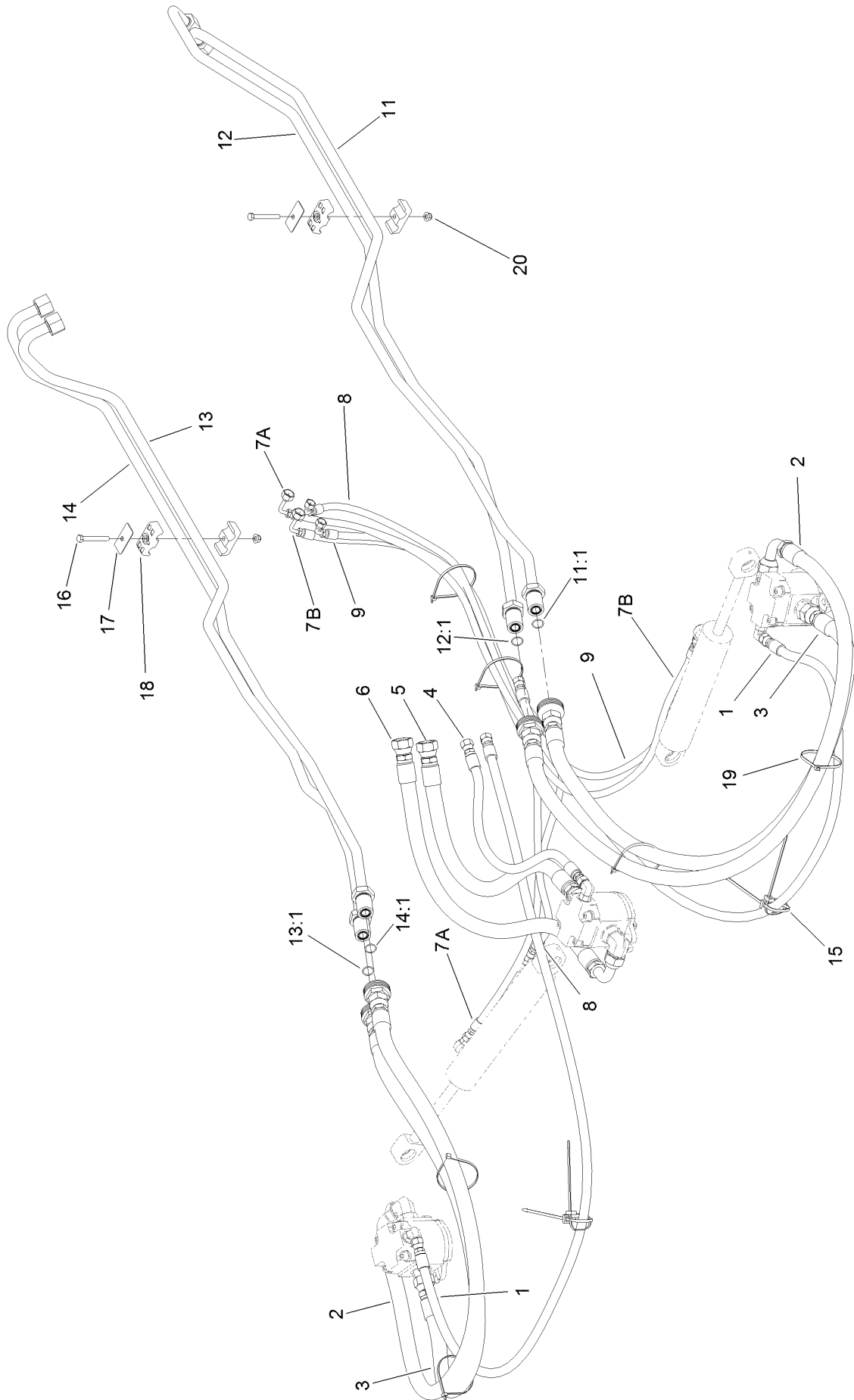
● Not serviced separately



Front Deck Hydraulic Fitting Assembly

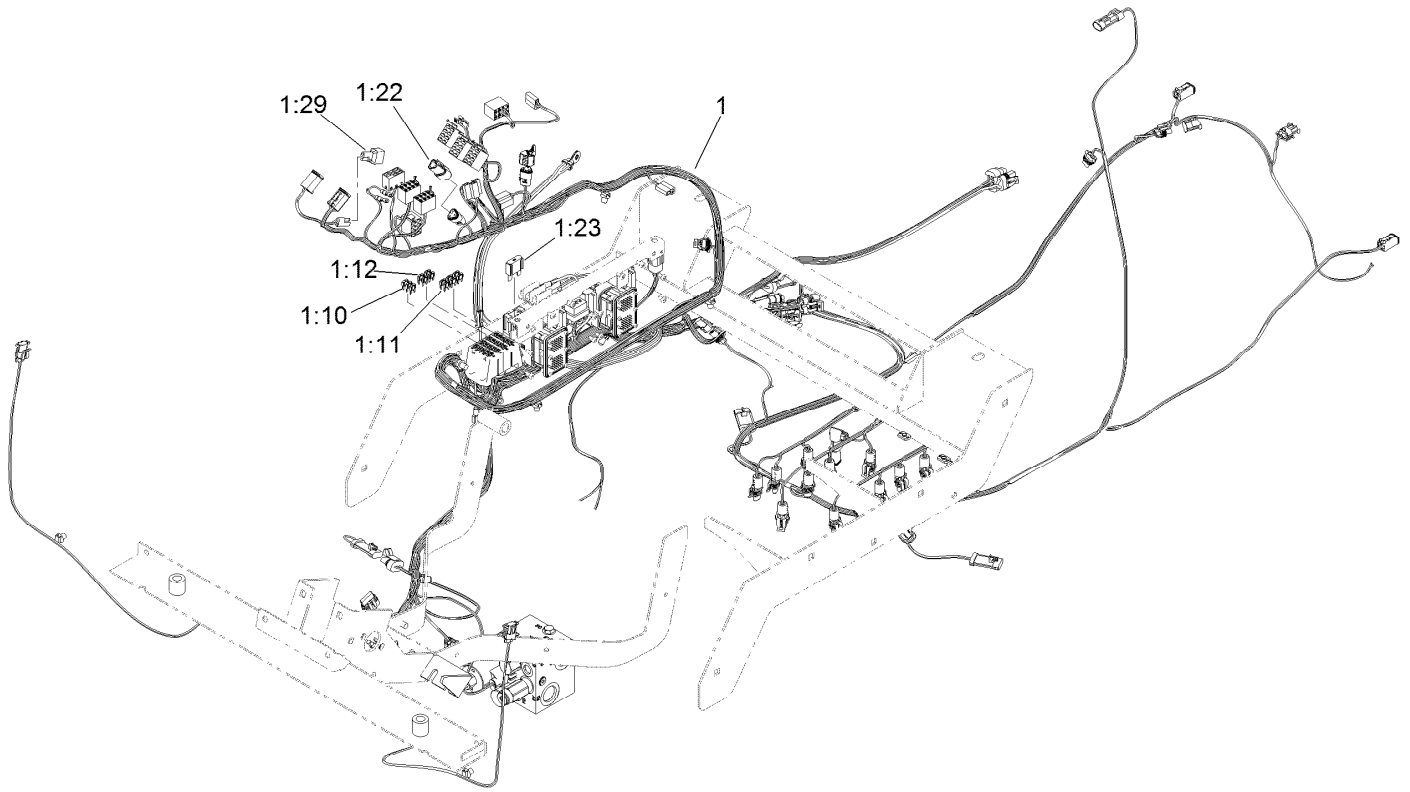
<i>Ref.</i>	<i>Part Number</i>	<i>Qty.</i>	<i>Description</i>	<i>Ref.</i>	<i>Part Number</i>	<i>Qty.</i>	<i>Description</i>
1	340-9	3	Fitting-STR	4	340-82	2	Fitting-Elbow, 90 DEG
1:1	237-58	1	O-Ring	4:1	237-42	1	O-Ring
1:2	237-81	1	O-Ring	4:2	237-21	1	O-Ring
2	340-142	3	Fitting-Elbow, 90 DEG	5	340-2	2	Fitting-Straight
2:1	237-58	1	O-Ring	5:1	237-22	1	O-Ring
2:2	237-81	1	O-Ring	5:2	237-42	1	O-Ring
3	340-77	3	Fitting-Elbow, 90 DEG	6	340-92	4	Fitting-Straight
3:1	237-22	1	O-Ring	6:1	237-78	1	O-Ring
3:2	237-42	1	O-Ring	6:2	237-21	1	O-Ring

Front Deck Hose Routing Assembly



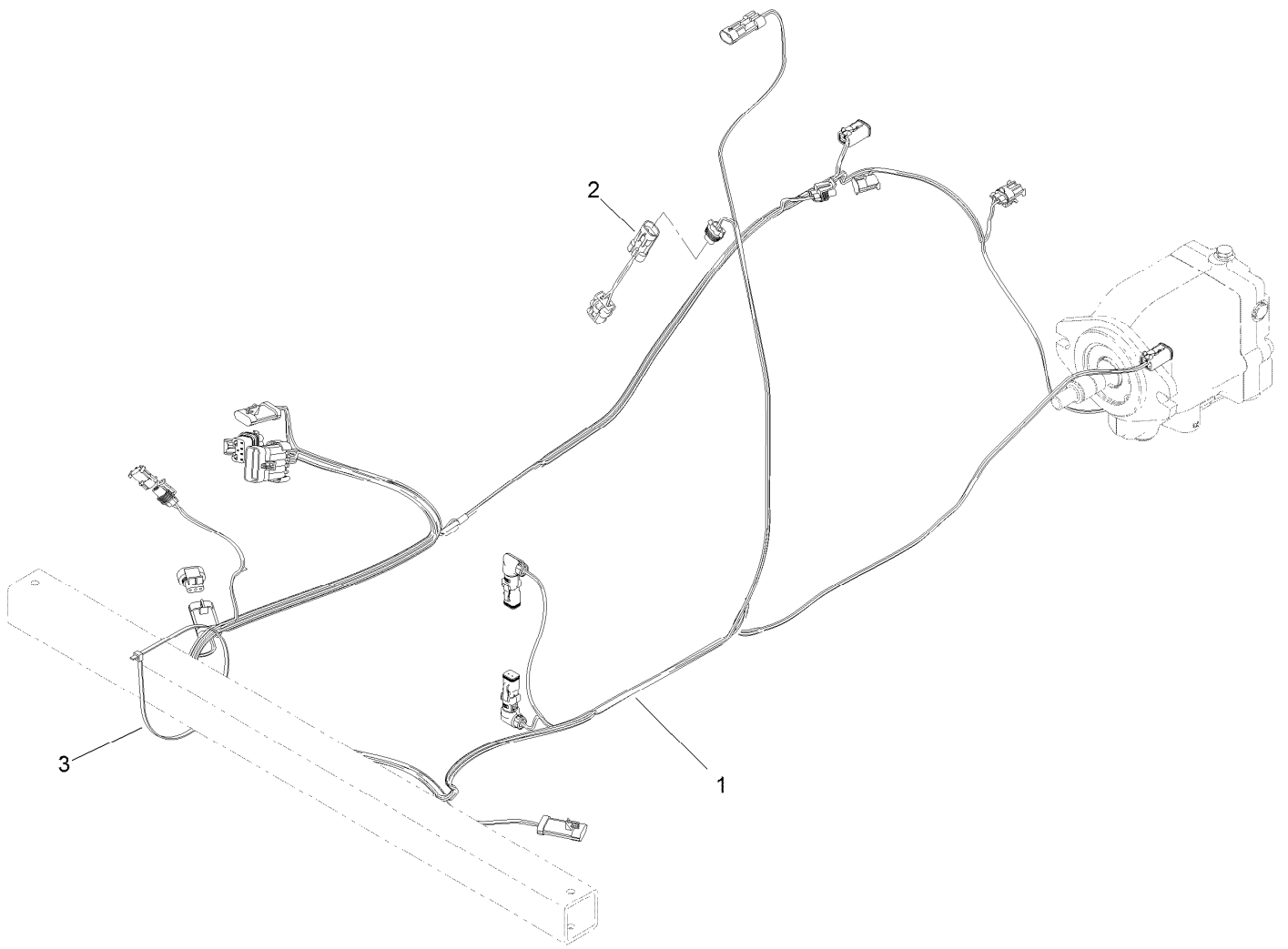
Front Deck Hose Routing Assembly (continued)

<i>Ref.</i>	<i>Part Number</i>	<i>Qty.</i>	<i>Description</i>	<i>Ref.</i>	<i>Part Number</i>	<i>Qty.</i>	<i>Description</i>
1	95-8843	2	Hose-HYD	12:1	237-58	1	O-Ring
2	120-8987	2	Hose-HYD	13	130-2707	1	Tube ASM
3	121-1457	2	Hose-HYD	13:1	237-58	1	O-Ring
4	76-6550	1	Hose-HYD	14	130-2708	1	Tube ASM
5	121-1540	1	Hose-HYD	14:1	237-58	1	O-Ring
6	121-1541	1	Hose-HYD	15	3290-378	4	Tie-Cable
7	120-9054	2	Hose-HYD	16	322-12	2	Screw-HH
8	106-3691	1	Hose-HYD	17	69-9761	2	Plate-Cover
9	85-4940	1	Hose-HYD	18	94-8105	4	Clamp-Tube
11	130-2705	1	Tube ASM	19	3290-379	6	Tie-Cable
11:1	237-58	1	O-Ring	20	104-8300	2	Nut-HF, NI
12	130-2706	1	Tube ASM				



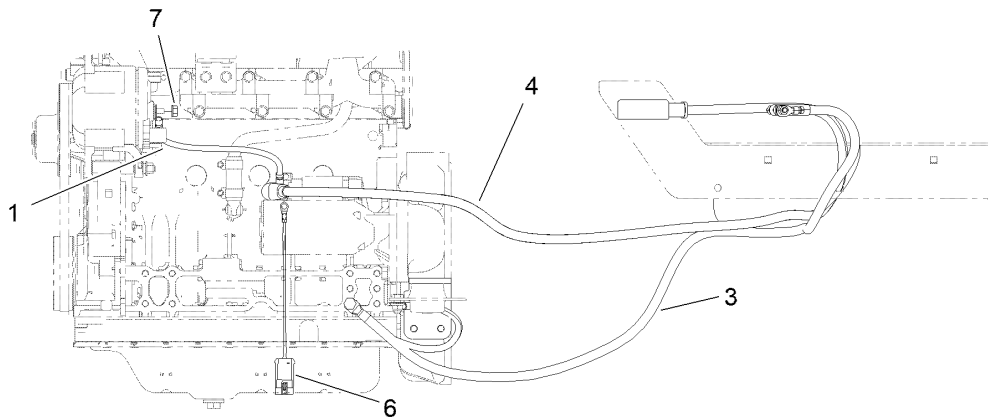
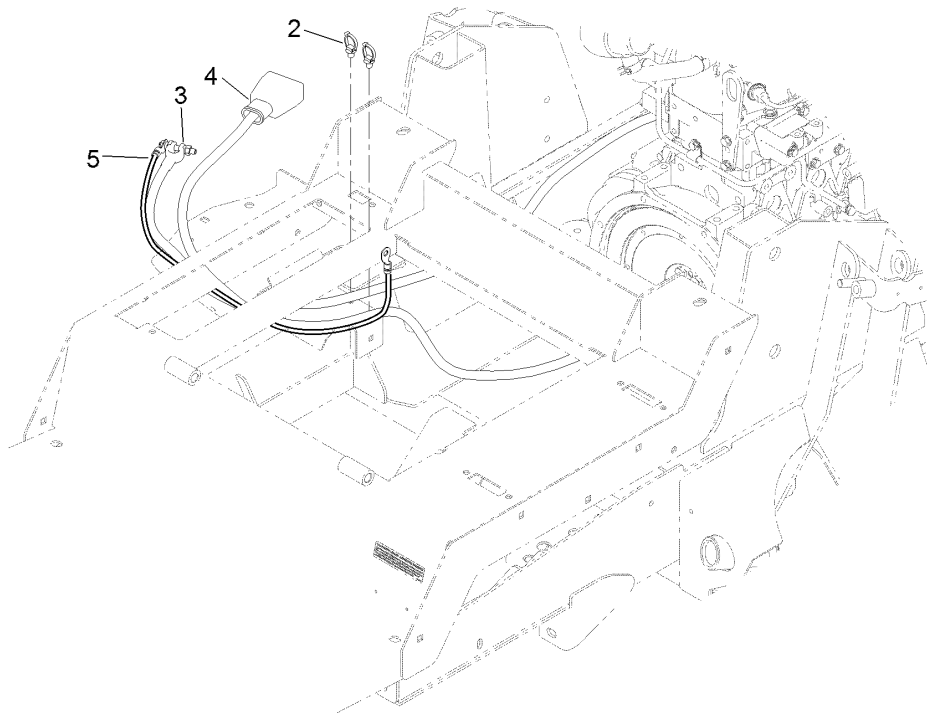
Platform Wire Harness and Fuse Assembly

<i>Ref.</i>	<i>Part Number</i>	<i>Qty.</i>	<i>Description</i>
1	122-0973	1	Harness-Wire, Platform
1:10	121-8861	3	Fuse-Mini Blade, 2 Amp
1:11	121-8865	6	Fuse-Mini Blade, 7.5 Amp
1:12	121-8866	4	Fuse-Mini Blade, 10 Amp
1:22	32180-043	1	Resistor-120 Ohm
1:23	114-3342	1	Fuse-Maxi, 60 Amp
1:29	104-4022	1	Resistor-75 Ohm



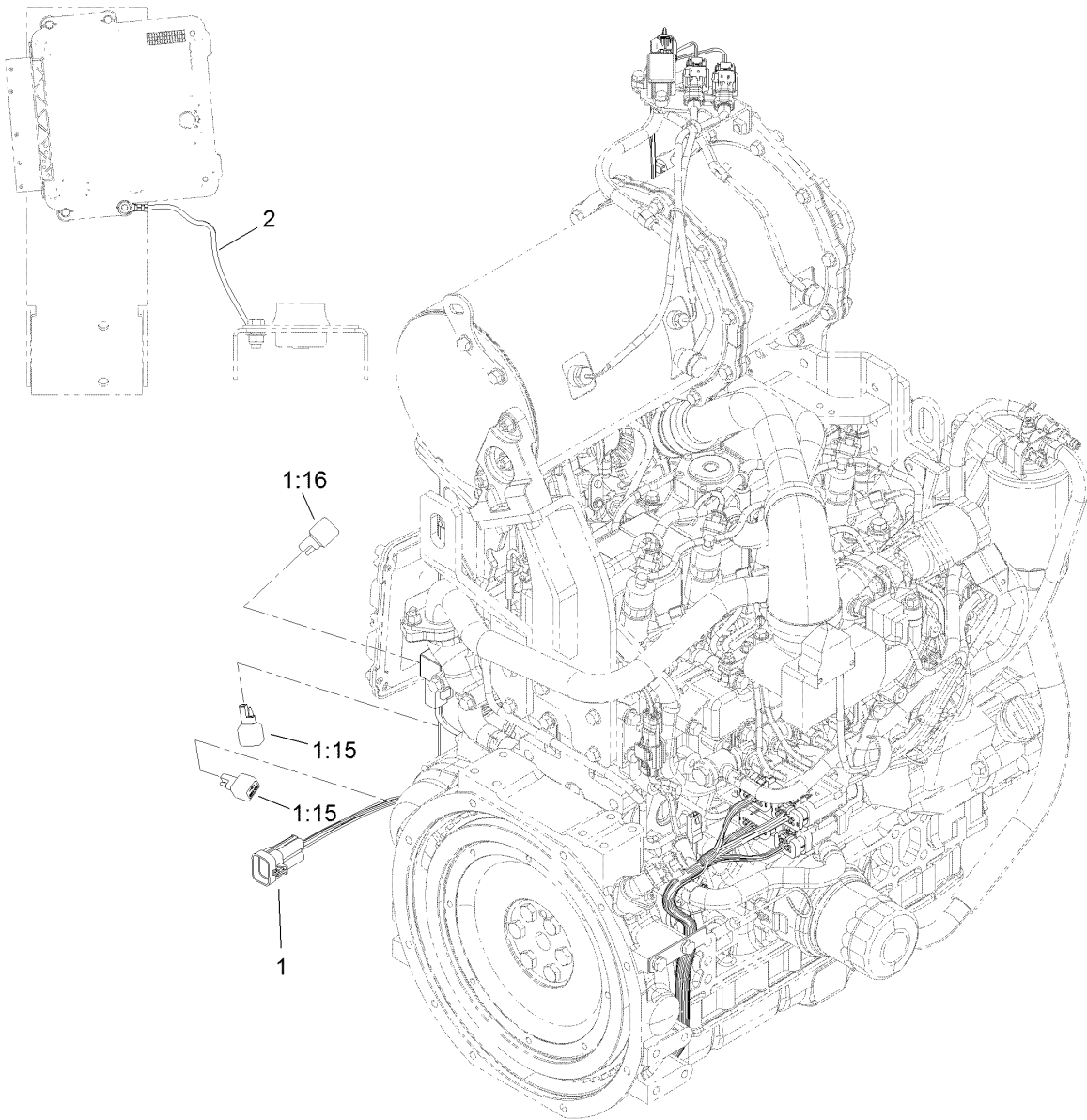
Rear Wire Harness Assembly

<i>Ref.</i>	<i>Part Number</i>	<i>Qty.</i>	<i>Description</i>
1	122-0974	1	Harness-Wire, Rear
2	115-1931	1	Harness-Wire, Fuel Pump Adapter
3	3290-379	1	Tie-Cable



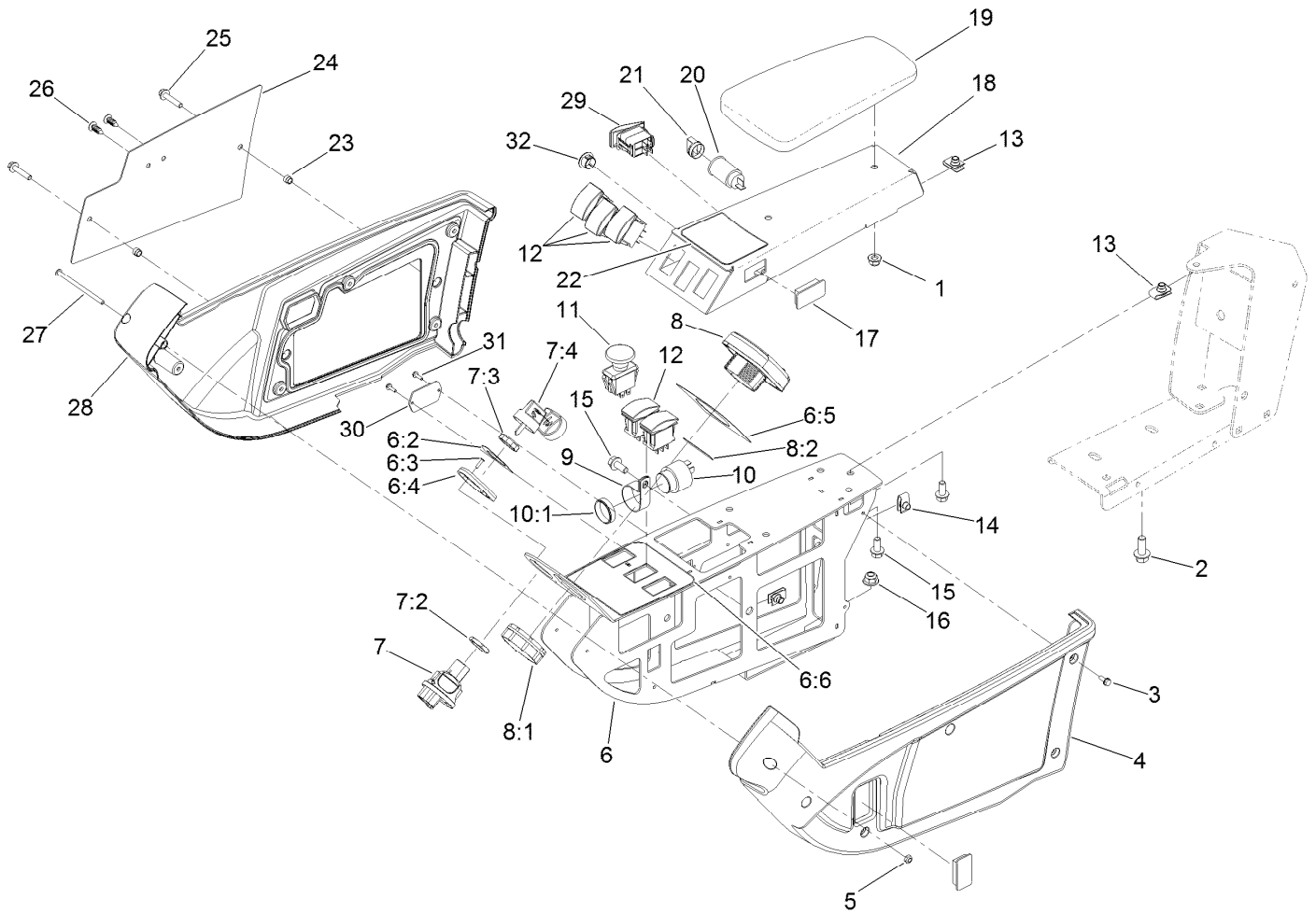
Battery Cable and Ground Assembly

Ref.	Part Number	Qty.	Description
1	122-0071	1	Cable-Battery, Positive
2	32180-030	2	Clip-Tie
3	121-8898	1	Cable-Battery, Negative
4	121-8897	1	Cable-Battery, Positive
5	54-3094	1	Cable
6	108-9470	1	Harness-Wire, Fusible Link
7	33004-00	2	Nut-HF



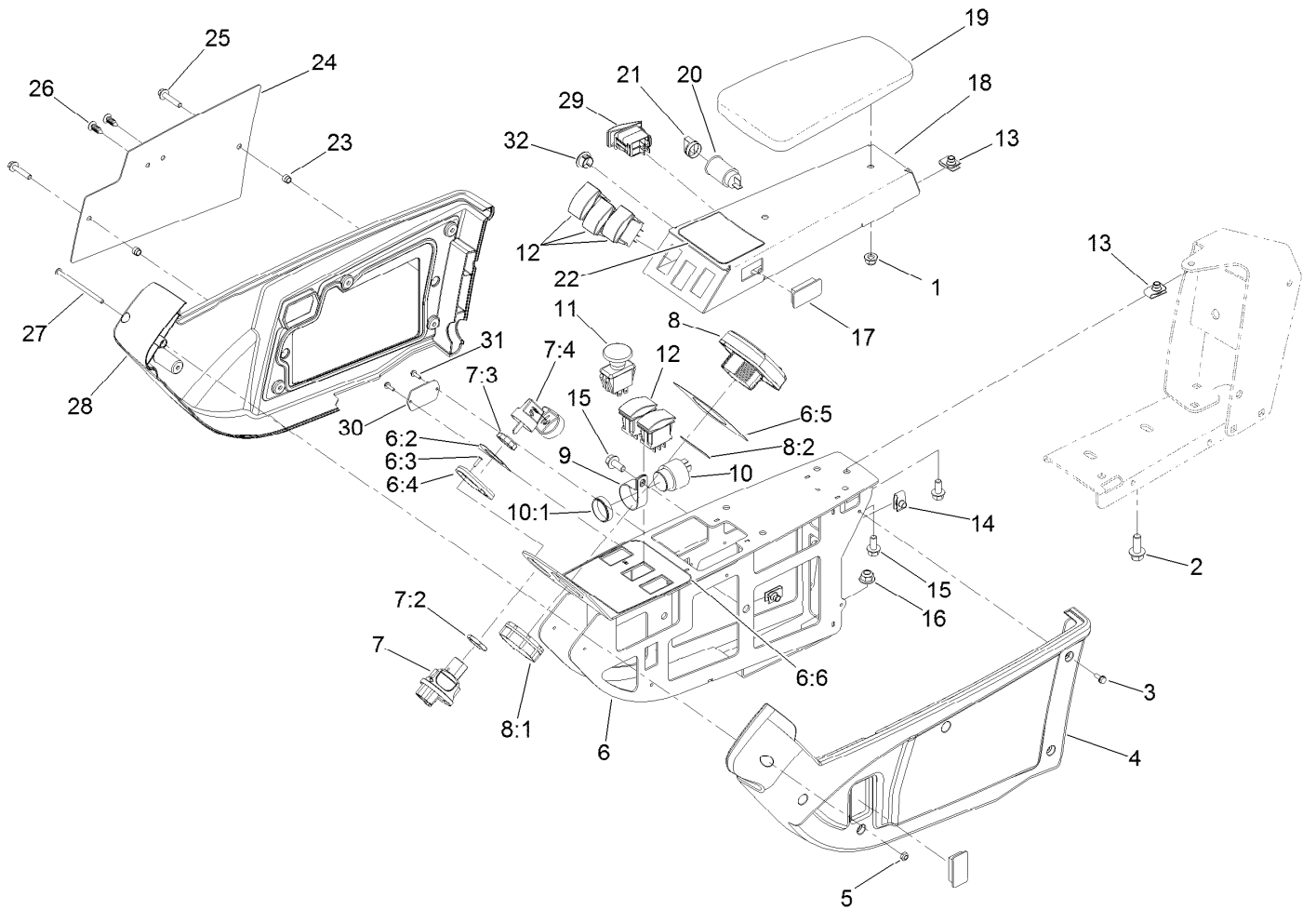
Engine Harness Assembly

<i>Ref.</i>	<i>Part Number</i>	<i>Qty.</i>	<i>Description</i>
1	122-0229	1	Harness-Wire, Engine
1:15	100-4918	2	Diode
1:16	121-8891	1	Resistor (1.6K Ohm)
2	122-0057	1	Harness-Wire, Ground



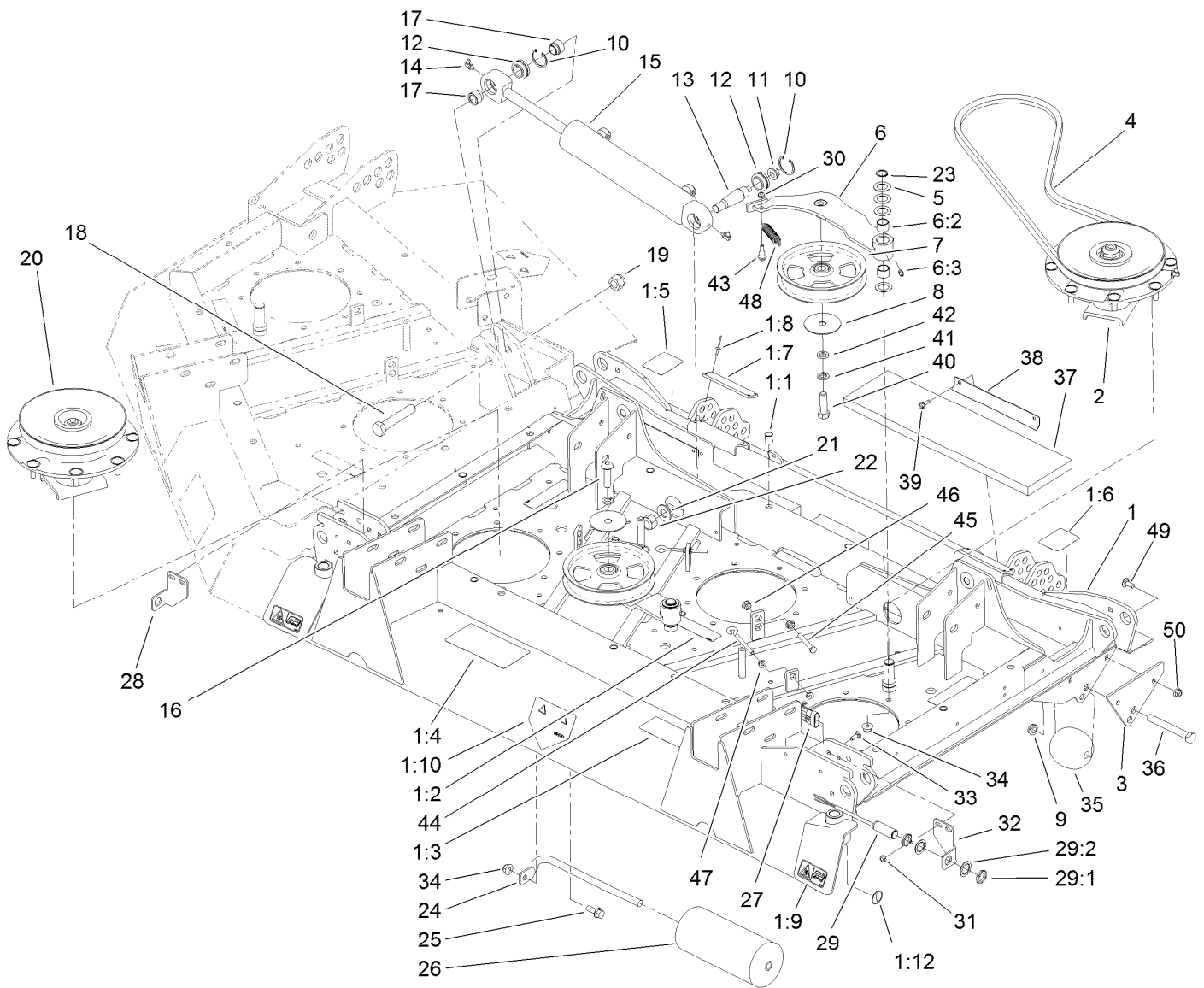
Armrest Control Panel Assembly

Ref.	Part Number	Qty.	Description	Ref.	Part Number	Qty.	Description
1	104-8300	2	Nut-HF, NI	11	93-9999	1	Switch-PTO
2	3234-42	2	Screw-HHF	12	100-1535	5	Switch-Rocker, (On)-Off-(On)
3	32144-112	10	Screw-HWH	13	94-2413	6	Nut-U
4	108-7604	1	Cover-LH	14	107069	2	Clip
5	3296-12	1	Nut-Lock, NI	15	3234-5	6	Screw-HHF
6	120-4155	1	Panel ASM	16	104-8301	2	Nut-HF, NI
6:2	121-3884	1	Decal-Console, Upper	17	99-7420	2	Plug-Hole
6:3	3269-17	2	Rivet-Pop	18	136-4389-03	1	Panel-Control
6:4	121-3889	1	Step-Elevated, Switch	19	108-7602	1	Rest-Arm
6:5	121-3887	1	Decal-Console, Display	20	99-7411	1	Point-Power
6:6	120-4159	1	Decal-Console, Lower	21	99-7416	1	Cap
7	121-5159	1	Ignition Switch ASM	22	127-3700	1	Decal-Lift
7:2	121-5160	1	Nut-Hex	23	110-0542	2	Spacer-Flange
7:3	121-5161	1	Nut-Face	24	115-8849-03	1	Plate-Cover
7:4	121-5162	1	Set-Key, Ignition	25	3234-21	2	Screw-HHF
8	120-6310	1	LCD Display ASM	26	114-4899	2	Rivet-Push
8:1	120-4630	1	Nut-Display	27	3250-22	1	Screw-PPH
8:2	120-6311	1	Decal-Display	28	108-7605	1	Cover-RH
9	2412-74	1	R-Clamp	29	114-3329	1	Switch-Rocker
10	80-9330	1	Audio Alarm ASM	30	121-1630	1	Plate-Cover
10:1	104-5107	1	Nut-Plastic, Knurled				



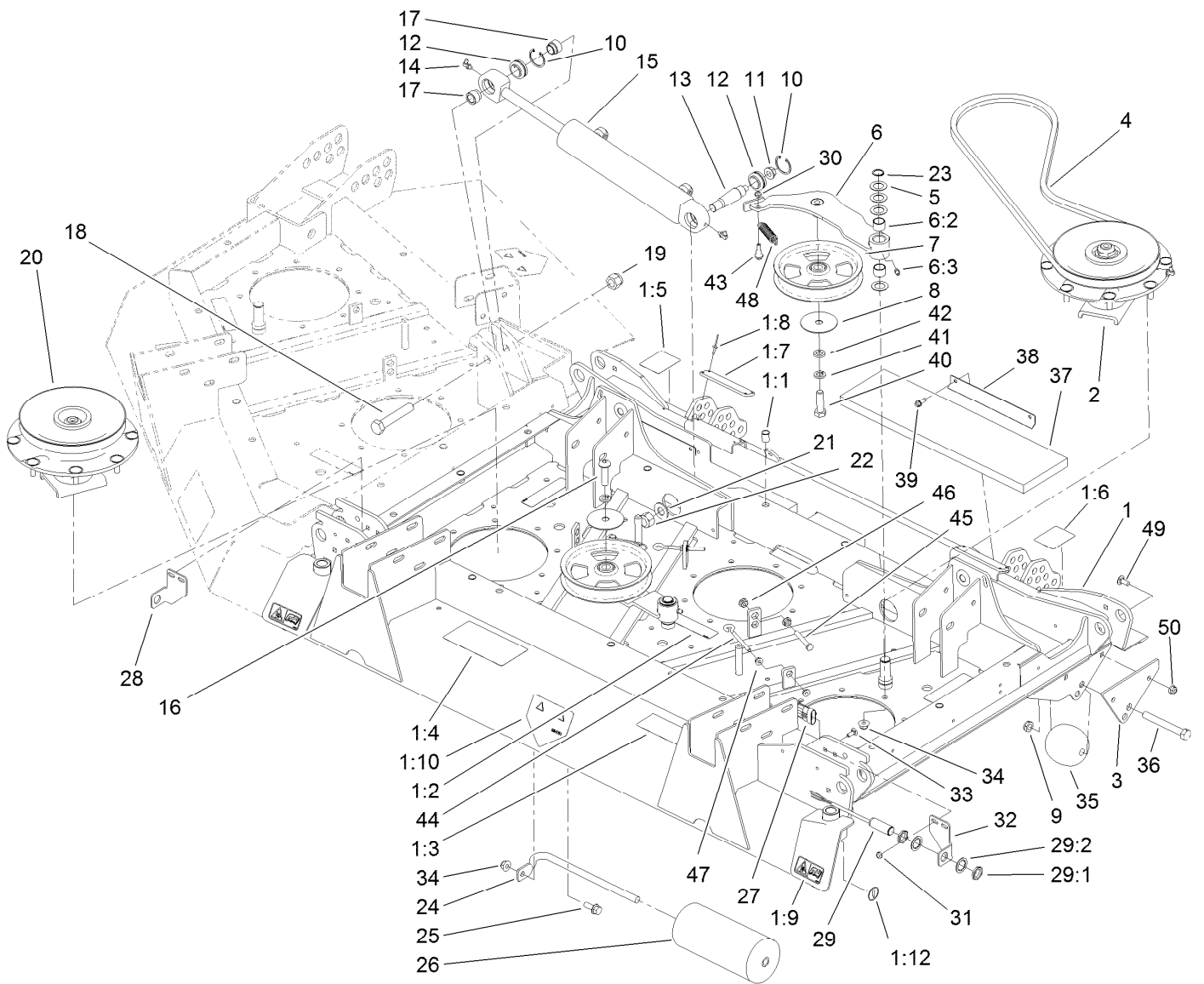
Armrest Control Panel Assembly (continued)

<i>Ref.</i>	<i>Part Number</i>	<i>Qty.</i>	<i>Description</i>
31	32144-18	2	Screw-HWH
32	94-5627	1	Plug



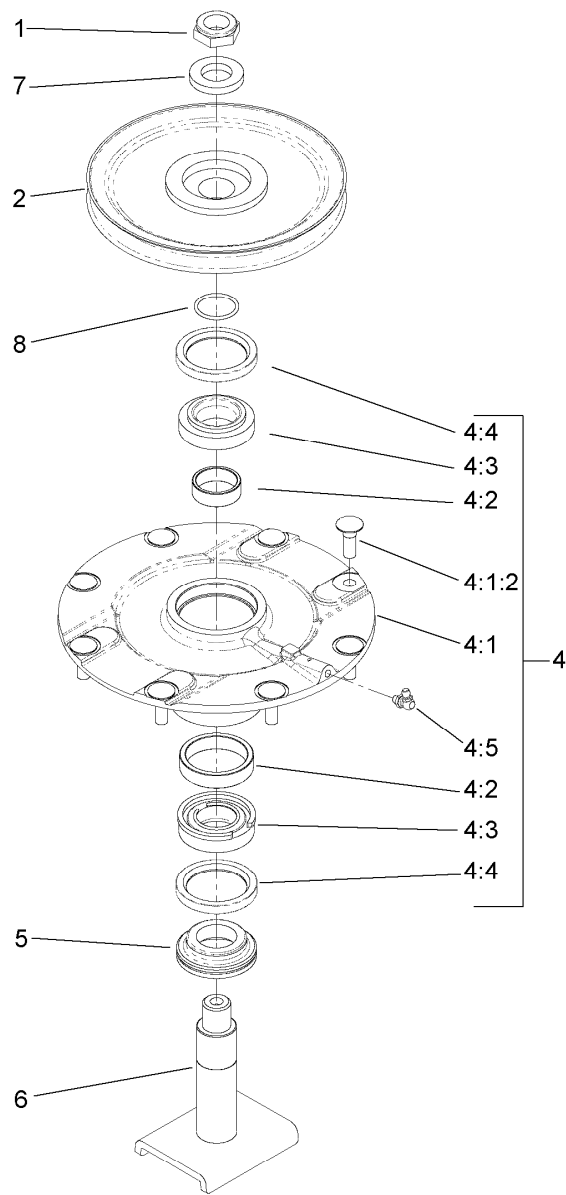
Center Deck Assembly

Ref.	Part Number	Qty.	Description	Ref.	Part Number	Qty.	Description
1	110-3297	1	Center Deck ASM	9	3296-45	2	Nut-Hex
1:1	32148-9	9	Nut-Clinch	10	32151-34	4	Ring-Retaining
1:2	100-6578	3	Decal-Danger	11	32128-42	2	Nut-HF
1:3	93-7818	1	Decal-Torque, Blade Bolt	12	105-7441	4	Bearing-Spherical
1:4	100-5622	1	Decal-HOC	13	105-7468	2	Stud-Tapered
1:5	106-4250	1	Decal-HOC, RH	14	302-60	4	Fitting-Grease
1:6	106-4251	1	Decal-HOC, LH	15	107-0190	2	HYD Cylinder ASM
1:7	105-0786	2	Pad-Plastic	16	108-1993	1	Screw-HSBH
1:8	3269-8	8	Rivet-Blind	17	105-7443	4	Spacer-Pilot
1:9	93-6674	2	Decal-Warning	18	327-14	2	Screw-HH
1:10	120-6604	1	Decal-Danger	19	3296-53	2	Nut-Lock, NI
1:12	58-6520	2	Decal-Grease	20	119-4549	1	High-Driven Spindle ASM
2	119-4776	3	Low-Driven Spindle ASM	21	3256-27	2	Washer-Flat
3	132-6117-01	2	Plate-Stop	22	3296-41	2	Nut-Lock NI
4	108-8077	4	V-Belt, Deck	23	32120-72	4	Ring-Snap
5	3-6498	16	Washer-Thrust	24	68-6840	1	Shaft-Roller
6	110-6128	4	Idler Arm ASM	25	3234-11	1	Screw-HHF
6:2	256-76	2	Bushing	26	68-6710	1	Roller
6:3	302-5	1	Fitting-Grease	27	117-5717	1	Harness-Wire, Deck
7	132-9421	4	Pulley-Idler, Flat	28	119-0081	1	Mount-Switch, RH
8	100-3102	4	Washer-Flat	29	115-5300	2	Proximity Switch ASM



Center Deck Assembly (continued)

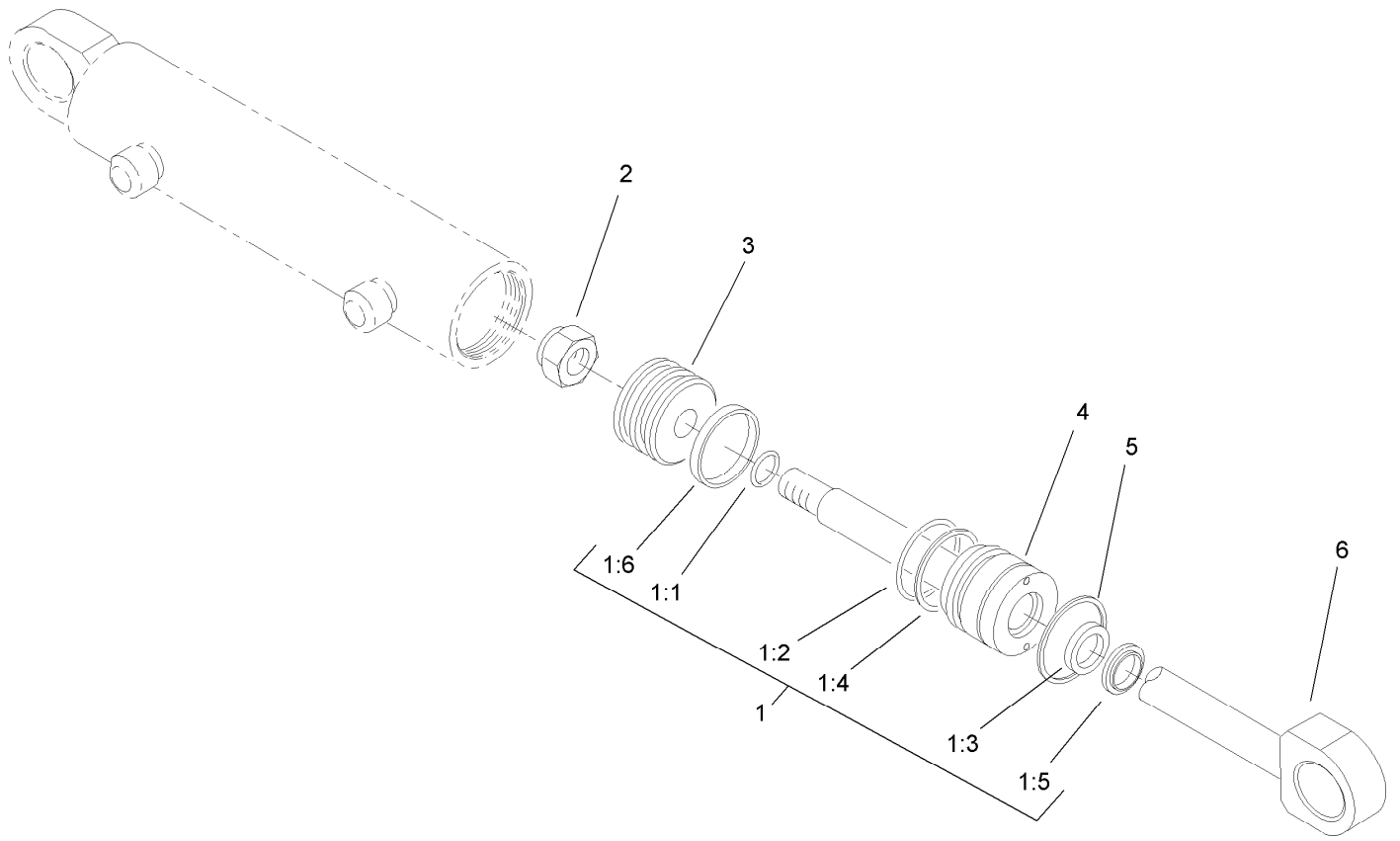
Ref.	Part Number	Qty.	Description	Ref.	Part Number	Qty.	Description
29:1	117-3207	2	Nut-Hex	40	325-7	3	Screw-HH
29:2	117-3208	2	Washer-Lock, Internal Tooth	41	3253-7	4	Washer-Lock
30	3296-56	4	Nut-Lock, NI	42	9202424	3	Spacer
31	104-7201	4	Nut-HF	43	104-0858	4	Bolt-Shoulder
32	119-0080	1	Mount-Switch, LH	44	68-0090	4	Screw-Adjusting
33	3229-1	4	Screw-CARR	45	9114524	4	Bolt-TAP, HH
34	104-8301	45	Nut-HF, NI	46	32128-26	8	Nut-Flange
35	29-4820	2	Roller	47	32128-14	8	Nut-HF
36	325-17	2	Screw-HH	48	107938	4	Spring-Extension
37	106-7179	2	Pad-Foam	49	3230-23	4	Screw-CARR
38	106-7227	4	Support-Pad	50	104-8300	4	Nut-HF, NI
39	32104-95	8	Screw-HWH				



Low Driven Spindle Assembly No. 119-4776

Ref.	Part Number	Qty.	Description
1	3296-60	1	Nut-Lock, NI
2	104-3546	1	Pulley-Driven, Low
4	119-4775	1	Spindle Housing ASM
4:1		1	Spindle ASM ●
4:1:2	114-8195	8	Bolt-Neck, Ribbed
4:2	120-5577	1	Bearing Spacer Set
4:3	110-8297	1	Bearing ASM
4:4	253-154	2	Seal-Oil
4:5	302-60	1	Fitting-Grease
5	69-6950	1	Spacer-Shaft, Spindle
6	104-3554	1	Shaft-Spindle
7	120-5576	1	Washer-Hardened
8	106-7159	1	O-Ring

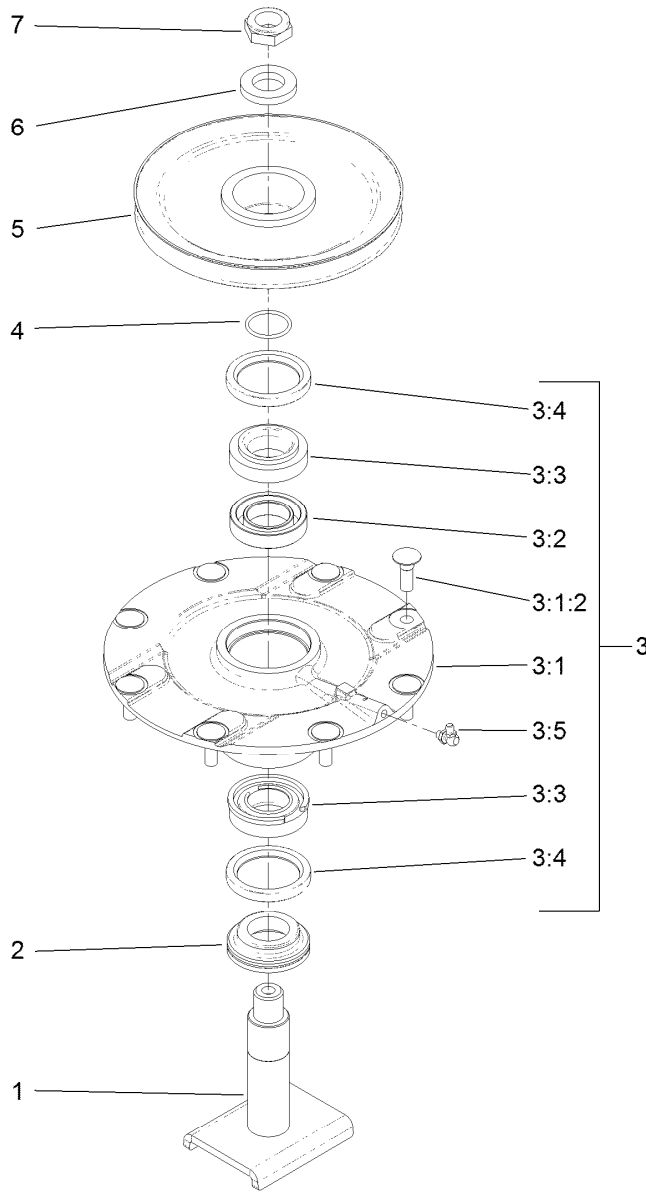
● Not serviced separately



Wing Lift Cylinder Assembly No. 107-0190

<i>Ref.</i>	<i>Part Number</i>	<i>Qty.</i>	<i>Description</i>
1	107-0247	1	Seal Kit
1:1		1	O-Ring ●
1:2		1	O-Ring ●
1:3		1	Seal ●
1:4		1	Back-Up ●
1:5		1	Wiper ●
1:6		1	Seal W/O-Ring ●
2		1	Locknut ●
3		1	Piston ●
4		1	Head ●
5		1	Ring-Retaining ●
6		1	Rod ASM ●

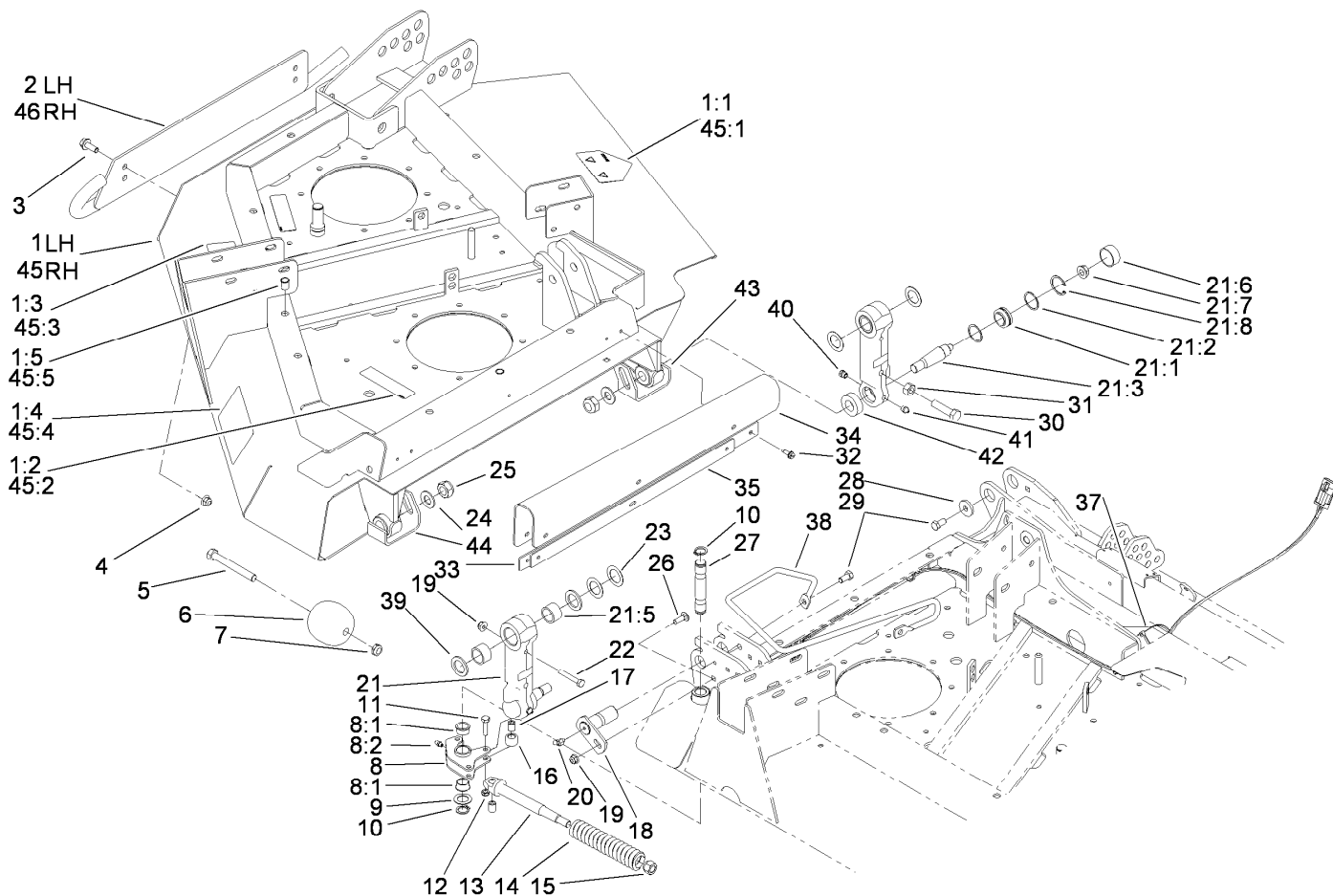
● Not serviced separately



High Driven Spindle Assembly No. 119-4549

Ref.	Part Number	Qty.	Description
1	104-3554	1	Shaft-Spindle
2	69-6950	1	Spacer-Shaft, Spindle
3	119-4775	1	Spindle Housing ASM
3:1		1	Spindle ASM ●
3:1:2	114-8195	8	Bolt-Neck, Ribbed
3:2	120-5577	1	Bearing Spacer Set
3:3	110-8297	1	Bearing ASM
3:4	253-154	2	Seal-Oil
3:5	302-60	1	Fitting-Grease
4	106-7159	1	O-Ring
5	104-3548	1	Pulley-Driven, High
6	120-5576	1	Washer-Hardened
7	3296-60	1	Nut-Lock, NI

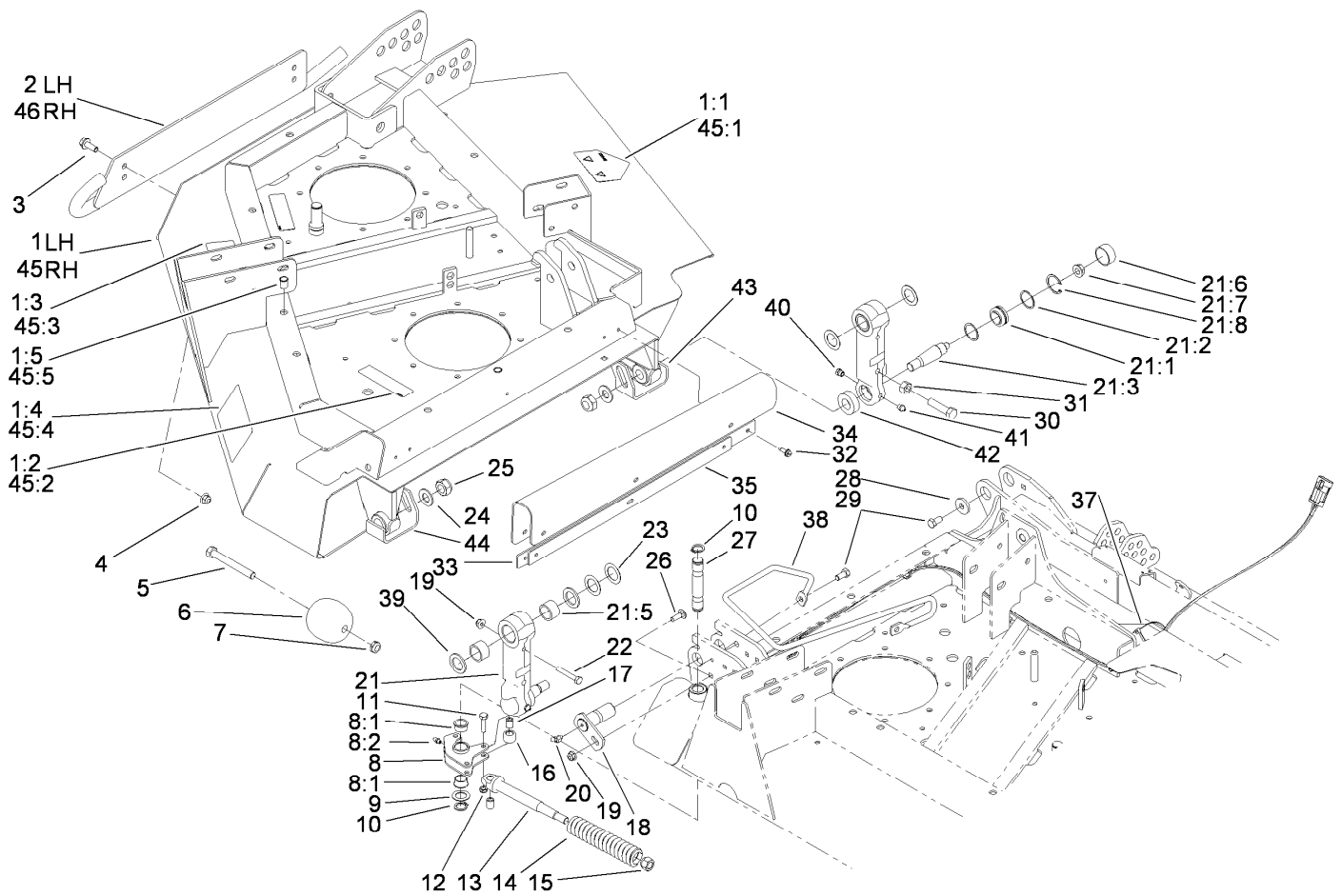
● Not serviced separately



Right Hand and Left Hand Deck Installation Assembly

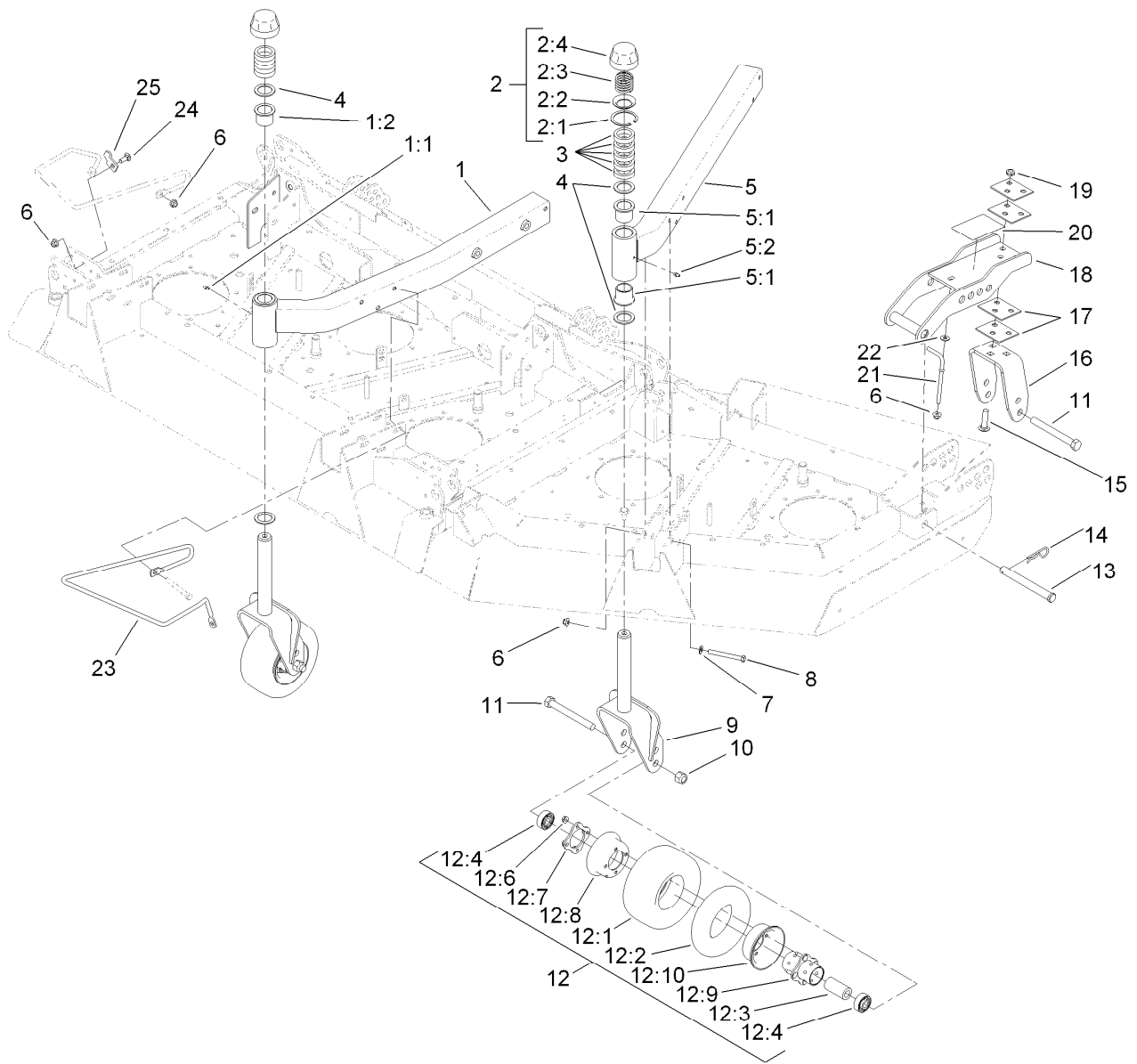
Ref.	Part Number	Qty.	Description
1	110-3298	1	RH Deck ASM
1:1	120-6604	1	Decal-Danger
1:2	100-6578	2	Decal-Danger
1:3	93-7818	1	Decal-Torque, Blade Bolt
1:4	100-5622	1	Decal-HOC
1:5	32148-9	4	Nut-Clinch
2	105-7430-01	1	RH Skid ASM
3	3234-42	4	Screw-HHF
4	104-8301	4	Nut-HF, NI
5	325-17	2	Screw-HH
6	29-4820	2	Roller
7	3296-45	2	Nut-Hex
8	105-7469	2	Latch ASM
8:1	256-252	2	Bearing-Flange
8:2	302-5	1	Fitting-Grease
9	1278	2	Washer
10	32120-93	4	Ring-Retaining
11	322-6	6	Screw-HH
12	3296-47	6	Nut-Lock, NI

Ref.	Part Number	Qty.	Description
13	106-4317	2	Support-Spring
14	86-2560	2	Spring-Comp
15	242-50	2	Nut-Lug
16	86-2120	4	Roller-Lock
17	86-2090	6	Bushing
18	106-7171	4	Pin Pivot ASM
19	104-8300	6	Nut-HF, NI
20	302-11	4	Fitting-Lube, 45 DEG
21	112-9116	4	Link ASM
21:1	105-7441	1	Bearing-Spherical
21:2	110-6198	2	Washer-Flat
21:3	105-7468	1	Stud-Tapered
21:5	106-7248	2	Bushing
21:6	110-6197	1	Cap-Dust
21:7	32128-42	1	Nut-HF
21:8	32151-34	1	Ring-Retaining
22	322-10	2	Screw-HH
23	9547	8	Washer-Thrust
24	3256-27	4	Washer-Flat



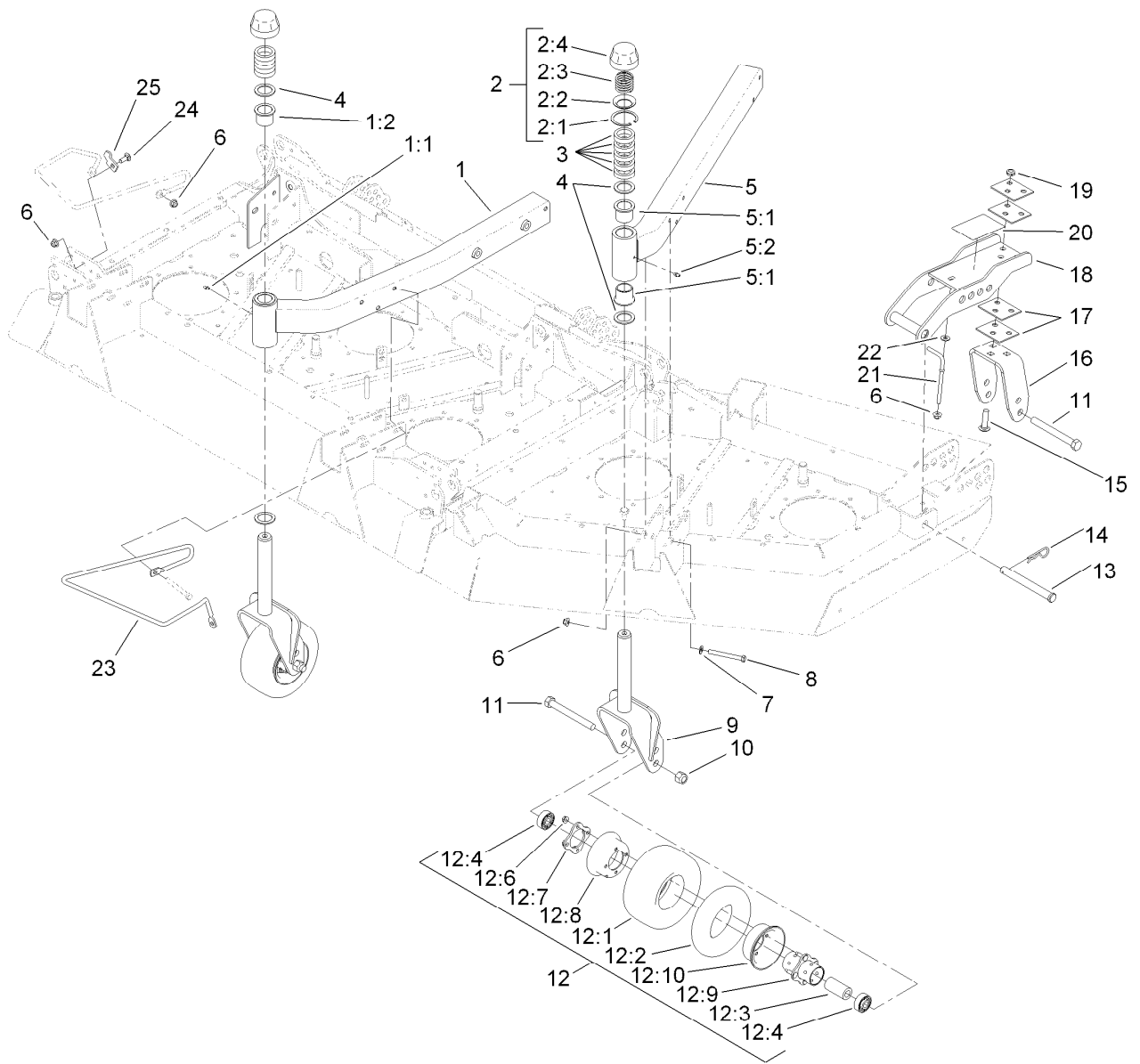
Right Hand and Left Hand Deck Installation Assembly (continued)

<i>Ref.</i>	<i>Part Number</i>	<i>Qty.</i>	<i>Description</i>	<i>Ref.</i>	<i>Part Number</i>	<i>Qty.</i>	<i>Description</i>
25	32152-6	4	Nut-Lock, Cone	40	302-39	4	Fitting-Plug
26	3230-2	4	Bolt-CARR	41	302-52	4	Fitting-Grease
27	105-7482	2	Pin-Latch	42	110-6196	4	Washer-Foam
28	53-6380	2	Washer-Flat	43	112-9106-01	2	Skid-Link (Left Front, Right Rear)
29	323-4	4	Screw-HH	44	112-9105-01	2	Skid-Link (Right Front, Left Rear)
30	325-8	2	Screw-HH	45	110-3299	1	LH Deck ASM
31	3217-9	2	Nut-HH	45:1	120-6604	1	Decal-Danger
32	32104-95	12	Screw-HWH	45:2	100-6578	2	Decal-Danger
33	107-0170-03	2	Strap-Wing	45:3	93-7818	1	Decal-Torque, Blade Bolt
34	106-4334	2	Shield-Flex	45:4	100-5622	1	Decal-HOC
35	107-0171-03	2	Strap-Shield	45:5	32148-9	4	Nut-Clinch
37	3290-379	4	Tie-Cable	46	105-7437-01	1	LH Skid ASM
38	107-0182	1	Guide-Hose, RH				
39	92-7845	4	Spacer-Hardened				



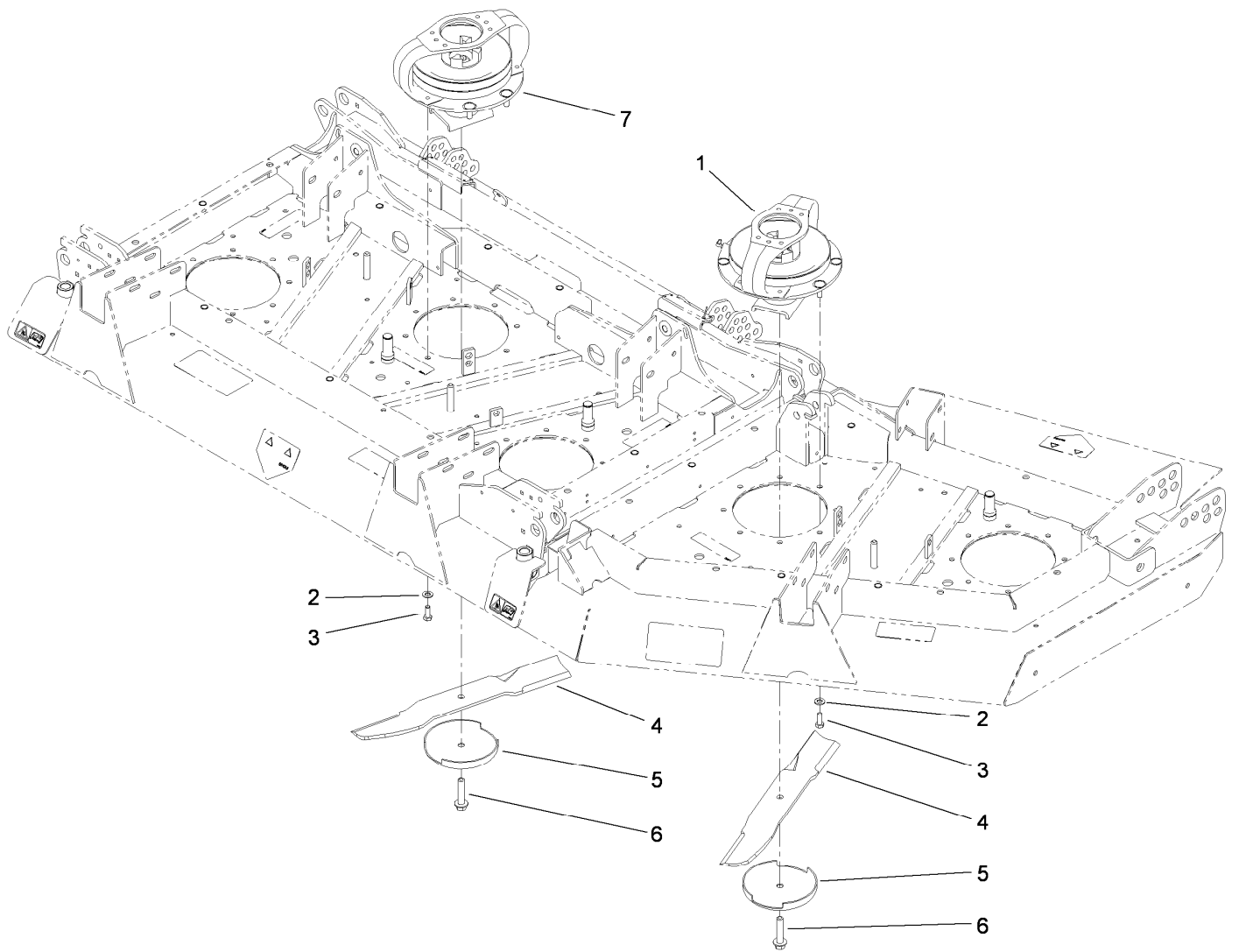
Caster Wheel Assembly

Ref.	Part Number	Qty.	Description	Ref.	Part Number	Qty.	Description
1	105-7414	2	Center Castor Arm ASM	12:2	68-8950	1	Tube-Inner (W/Valve)
1:1	69-6470	2	Bushing-Caster	12:3	93-4241	1	Spacer-Bearing, Inner
1:2	302-5	1	Fitting-Grease	12:4	120-3366	2	Bearing
2	92-9727	4	HOC Cap ASM	12:6	32128-16	4	Nut-HHF
2:1	92-5581	1	Ring-Retaining	12:7	93-4242	1	Plate
2:2	92-5583	1	Washer-Cap	12:8	93-4239	1	Rim-Wheel, Half
2:3	92-9726	1	Spring-Compression	12:9	93-5980	1	Hub
2:4	92-8861	1	Cap-HOC	12:10	95-2741	1	Rim-Wheel, Half
3	69-1510	20	Spacer	13	120-5587	4	Pin-Clevis
4	69-6860	8	Washer-Thrust	14	3290-343	4	Pin-Hair
5	105-7429	2	Side Castor Arm ASM	15	3233-4	6	Screw-CARR
5:1	69-6470	2	Bushing-Caster	16	105-7457-01	2	Fork-Rear
5:2	302-5	1	Fitting-Grease	17	104-7524	8	Shim
6	104-8301	24	Nut-HF, NI	18	104-7529-01	2	Bracket-Castor
7	3256-24	18	Washer-Flat	19	3296-45	6	Nut-Hex
8	323-15	20	Screw-HH	20	100-5623	1	Decal-HOC
9	92-7750-01	4	Fork-Castor	20	104-3579	1	Decal-HOC
10	3296-53	6	Nut-Lock, NI	21	106-2047	2	Rod-Tension
11	327-24	6	Screw-HH	22	3256-3	2	Washer-Flat
12	93-9938	6	Wheel ASM	23	107-0183	1	Guide-Hose, LH
12:1	93-9939	1	Tire				



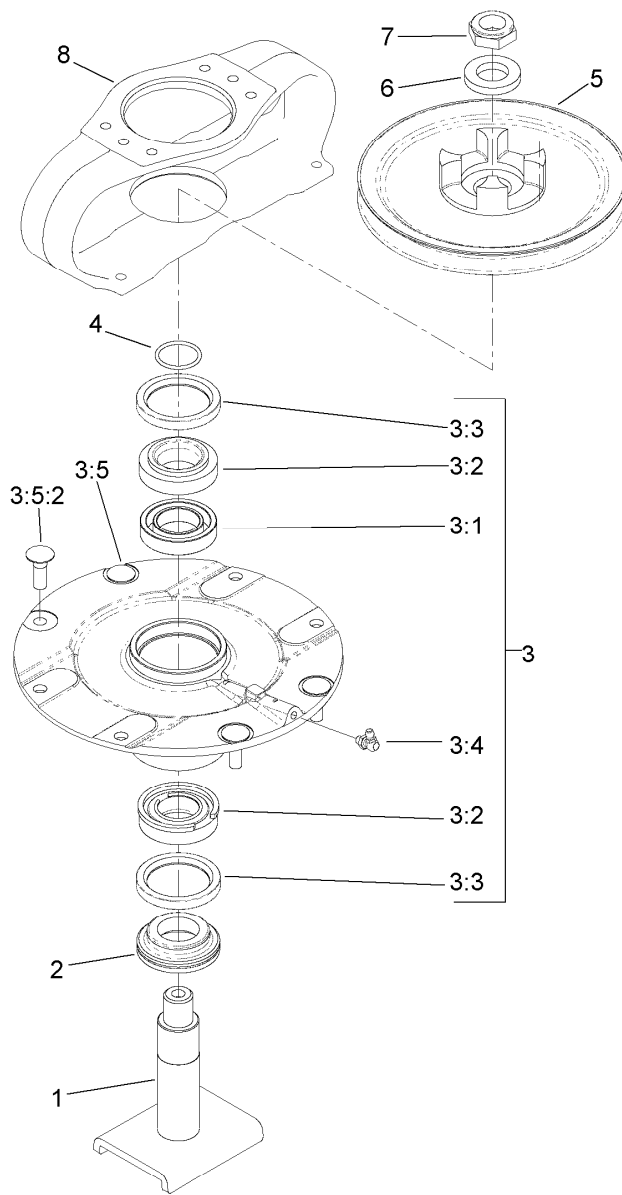
Caster Wheel Assembly (continued)

<i>Ref.</i>	<i>Part Number</i>	<i>Qty.</i>	<i>Description</i>
24	3231-2	2	Bolt-CARR
25	107-0229	2	Tab-Guide



Spindle and Blade Assembly

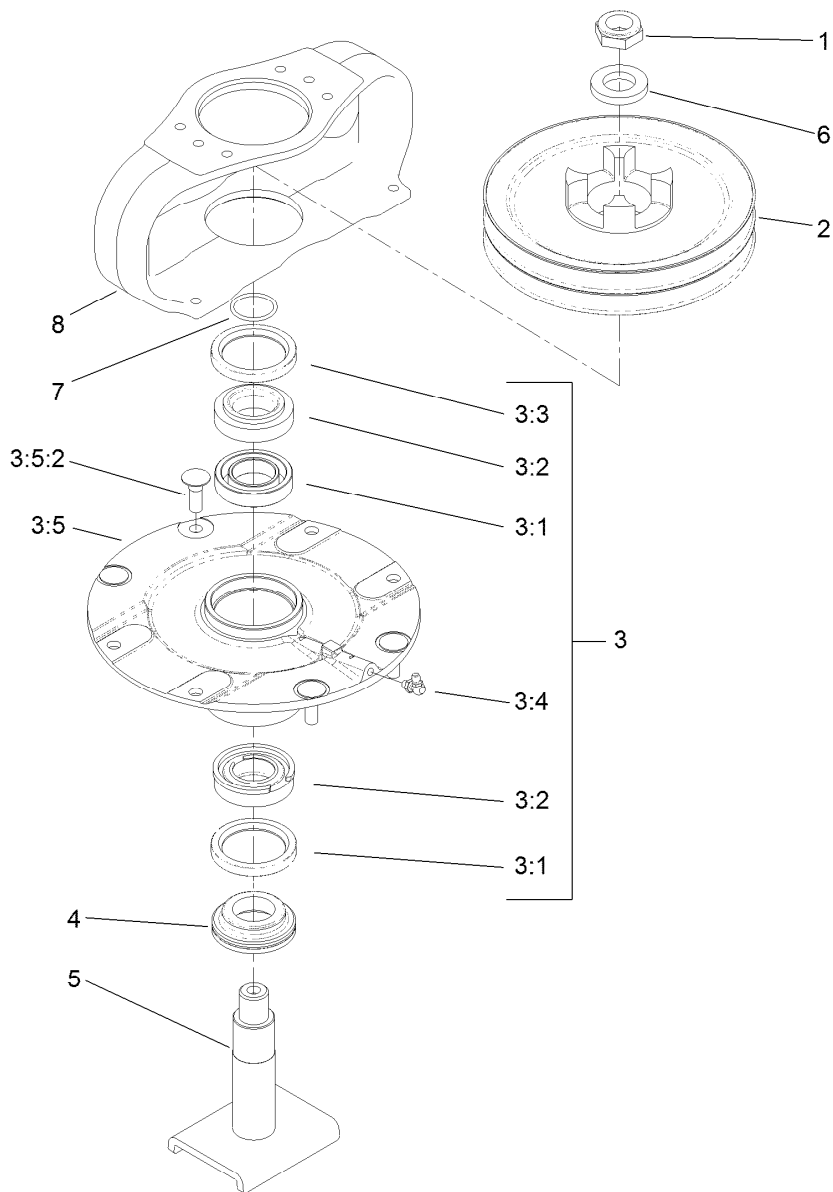
Ref.	Part Number	Qty.	Description
1	119-4547	2	Driving Spindle ASM
2	3256-24	12	Washer-Flat
3	323-6	12	Screw-HH
4	106-7166-03	7	Blade-Combination (19 Inch)
5	72-9361	7	Cup-Scalp, Anti
6	92-5816	7	Bolt-Blade
7	119-5298	1	Double-Driven Spindle ASM



Driving Spindle Assembly No. 119-4547

Ref.	Part Number	Qty.	Description
1	104-3554	1	Shaft-Spindle
2	69-6950	1	Spacer-Shaft, Spindle
3	119-4546	1	Spindle Housing ASM
3:1	120-5577	1	Bearing Spacer Set
3:2	110-8297	1	Bearing ASM
3:3	253-154	2	Seal-Oil
3:4	302-60	1	Fitting-Grease
3:5		1	Spindle ASM ●
3:5:2	114-8195	4	Bolt-Neck, Ribbed
4	106-7159	1	O-Ring
5	104-3545	1	Pulley-Driving
6	120-5576	1	Washer-Hardened
7	3296-60	1	Nut-Lock, NI
8	104-3544	1	Mount-Motor, Drive

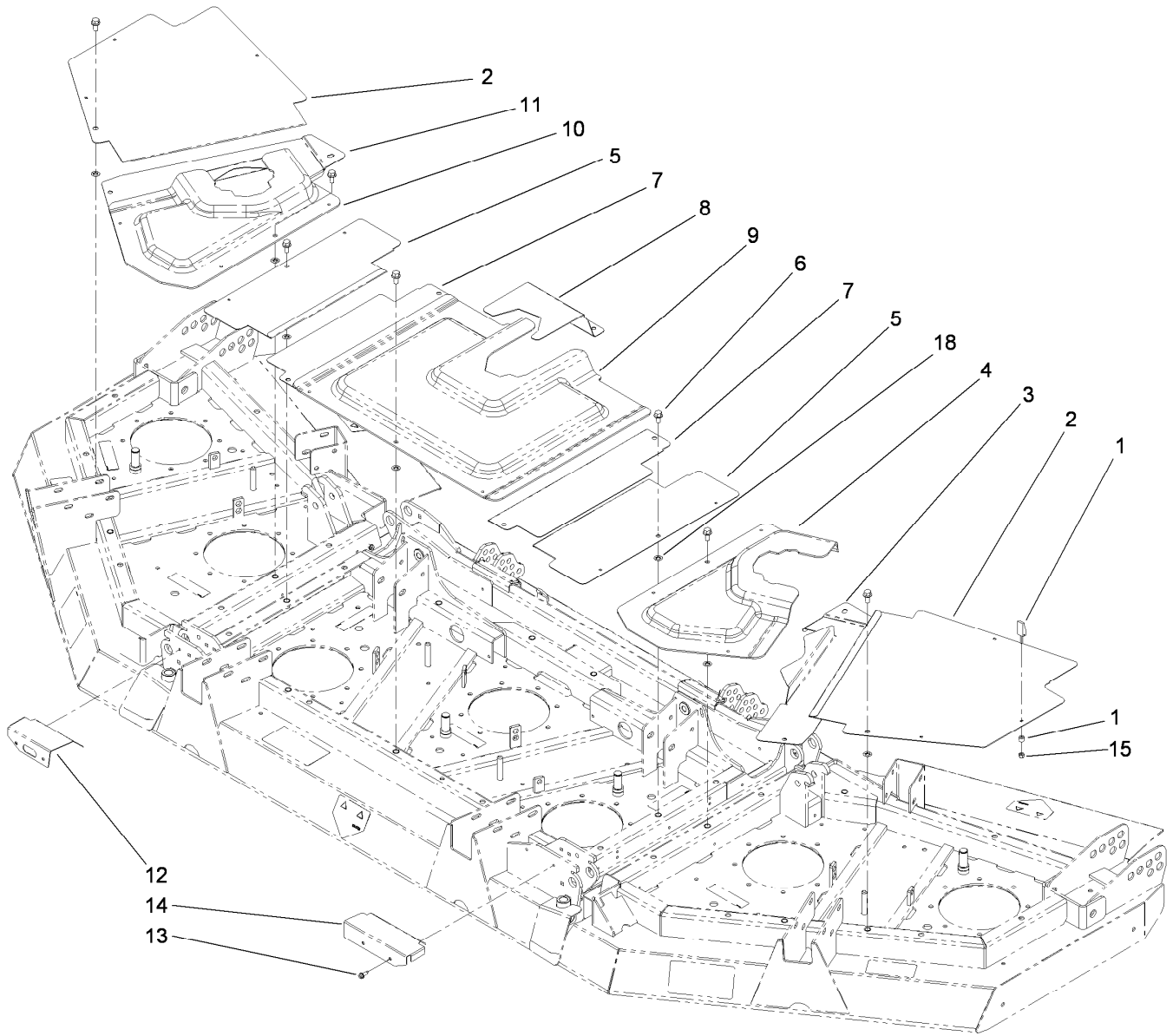
● Not serviced separately



Double Driven Spindle Assembly No. 119-5298

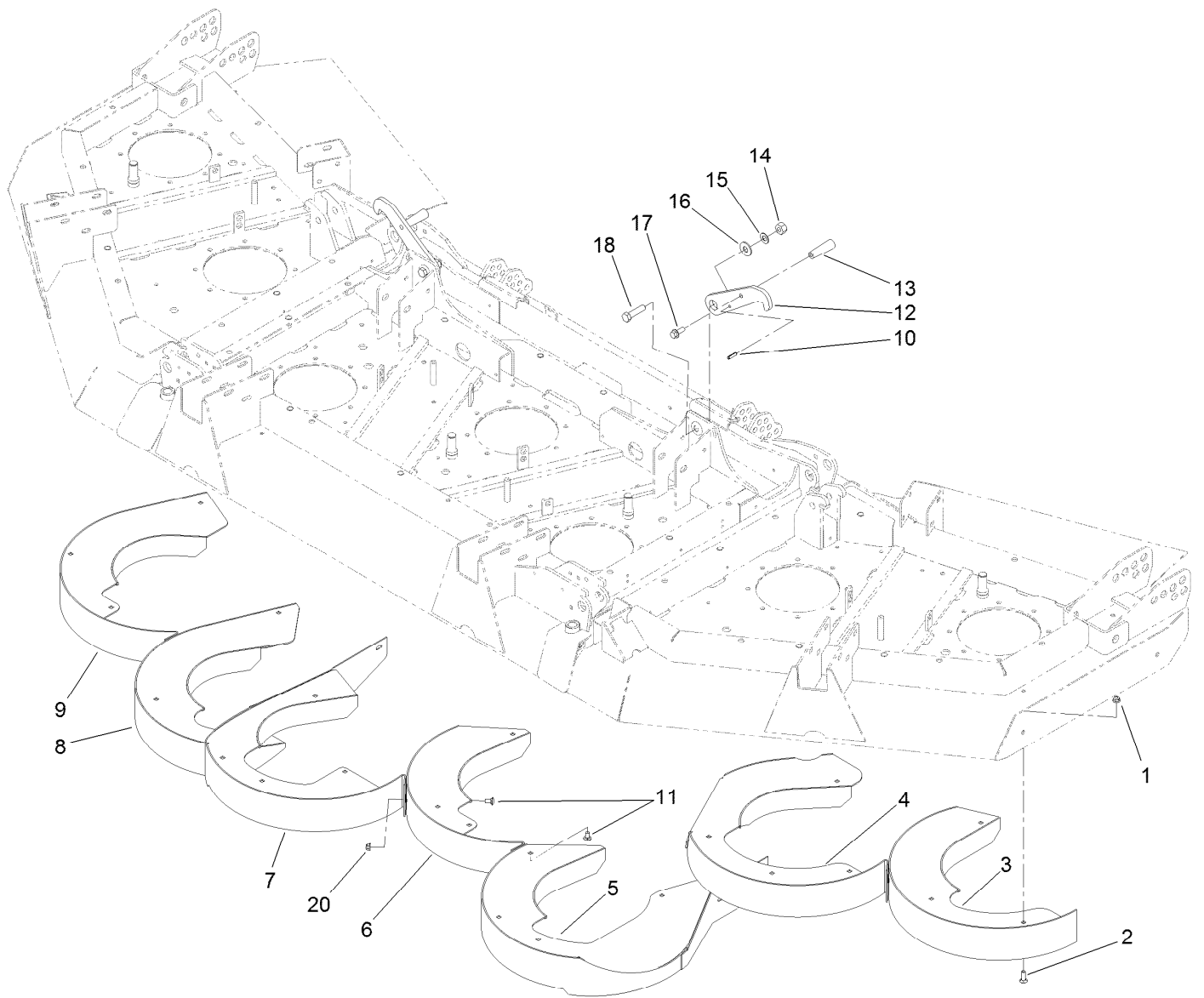
Ref.	Part Number	Qty.	Description
1	3296-60	1	Nut-Lock, NI
2	106-4269	1	Pulley-Drive, Double
3	119-4546	1	Spindle Housing ASM
3:1	120-5577	1	Bearing Spacer Set
3:2	110-8297	1	Bearing ASM
3:3	253-154	2	Seal-Oil
3:4	302-60	1	Fitting-Grease
3:5		1	Spindle ASM ●
3:5:2	114-8195	4	Bolt-Neck, Ribbed
4	69-6950	1	Spacer-Shaft, Spindle
5	104-3554	1	Shaft-Spindle
6	120-5576	1	Washer-Hardened
7	106-7159	1	O-Ring
8	106-4268	1	Mount-Motor, Drive

● Not serviced separately



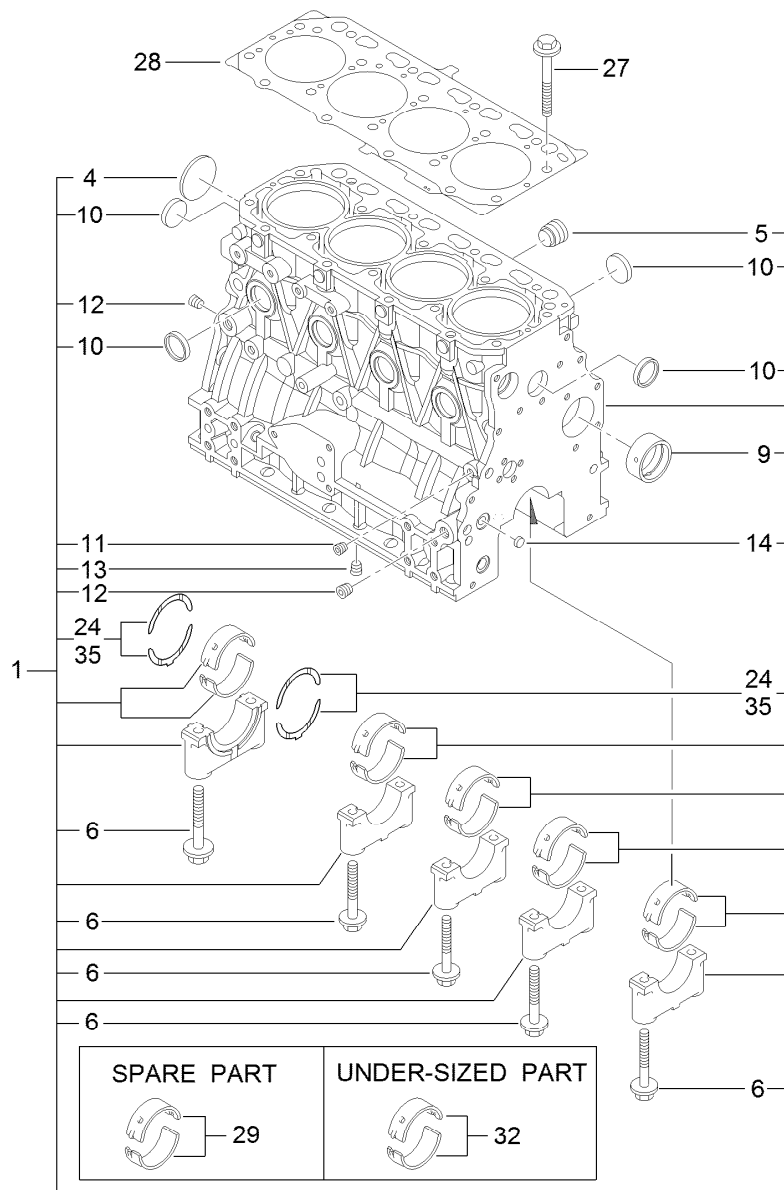
Deck Cover Assembly

<i>Ref.</i>	<i>Part Number</i>	<i>Qty.</i>	<i>Description</i>	<i>Ref.</i>	<i>Part Number</i>	<i>Qty.</i>	<i>Description</i>
1	74-5950	18	Latch-Swell	9	106-4254	1	Cover-Front, Center
2	106-4256-03	2	Cover-Outer, Wing	10	106-4259	1	Cover-Mount, RH
3	106-4258-03	1	Cover-Inner, LH	11	106-4257-03	1	Cover-Inner, RH
4	106-4260	1	Cover-Mount, LH	12	106-7173-01	1	Shield-RH
5	106-4252-03	2	Cover-Outer, Center	13	32104-95	4	Screw-HWH
6	3234-1	17	Screw-HHF	14	106-7174-01	1	Shield-LH
7	106-4255-03	2	Cover-Inner, Center	15	1-804254	18	Nut-Lock, HH
8	106-4253-03	1	Cover-Rear, Center	18	107-3154	7	Nut-Push



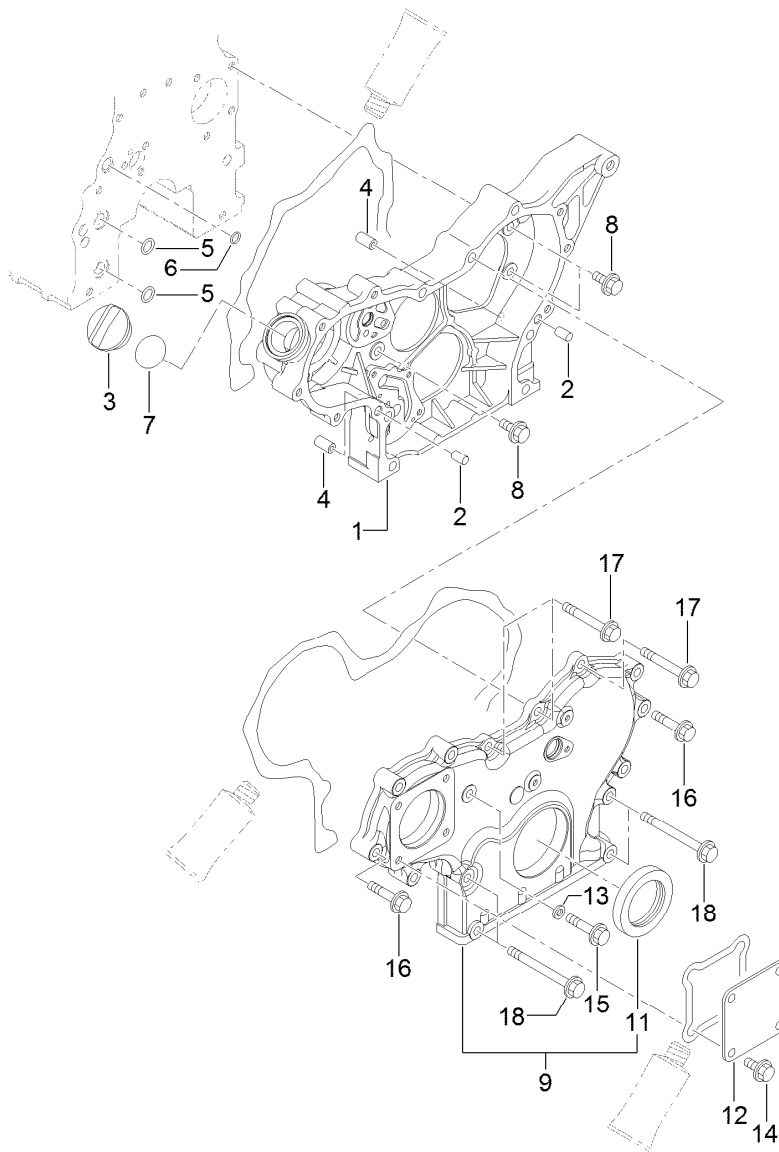
Rear Discharge Baffle Assembly

<i>Ref.</i>	<i>Part Number</i>	<i>Qty.</i>	<i>Description</i>	<i>Ref.</i>	<i>Part Number</i>	<i>Qty.</i>	<i>Description</i>
1	104-8300	24	Nut-HF, NI	11	3230-18	5	Screw-CARR
2	3230-22	23	Screw-CARR	12	106-4340-01	2	Latch-Wing
3	106-4308-01	1	LH Out Chamber ASM	13	233-39	2	Knob-Control
4	106-4304-01	1	LH Inside Chamber ASM	14	3296-25	2	Nut-Lock, NI
5	106-4291-01	1	LH Center Chamber ASM	15	3290-483	2	Washer-Conical
6	106-4294-01	1	Center Chamber ASM	16	3256-6	2	Washer-Flat
7	106-4286-01	1	RH Center Chamber ASM	17	3234-11	2	Screw-HHF
8	106-4298-01	1	RH Inside Chamber ASM	18	325-8	2	Screw-HH
9	106-4301-01	1	RH Out Chamber ASM	20	104-8300	4	Nut-HF, NI
10	32121-24	2	Pin-Spring				



Cylinder Block Assembly

<i>Ref.</i>	<i>Part Number</i>	<i>Qty.</i>	<i>Description</i>	<i>Ref.</i>	<i>Part Number</i>	<i>Qty.</i>	<i>Description</i>
1	127-3127	1	Cylinder Block ASM	13	125-6973	1	Plug
4	125-6980	1	Plug	14	125-7237	1	Plug
5	125-7170	1	Plug	24	125-7010	2	Metal-Thrust
6	125-7007	10	Bolt	27	125-7006	18	Bolt
9	125-7108	1	Bushing	28	127-3126	1	Gasket-Head, Cylinder
10	125-7239	8	Plug	29	125-6981	5	Metal-Main
11	125-6969	1	Plug	32	125-7009	5	Metal-Main (0.25)
12	125-6973	2	Plug	35	125-7011	1	Metal-Thrust (0.25)



Gear Housing Assembly

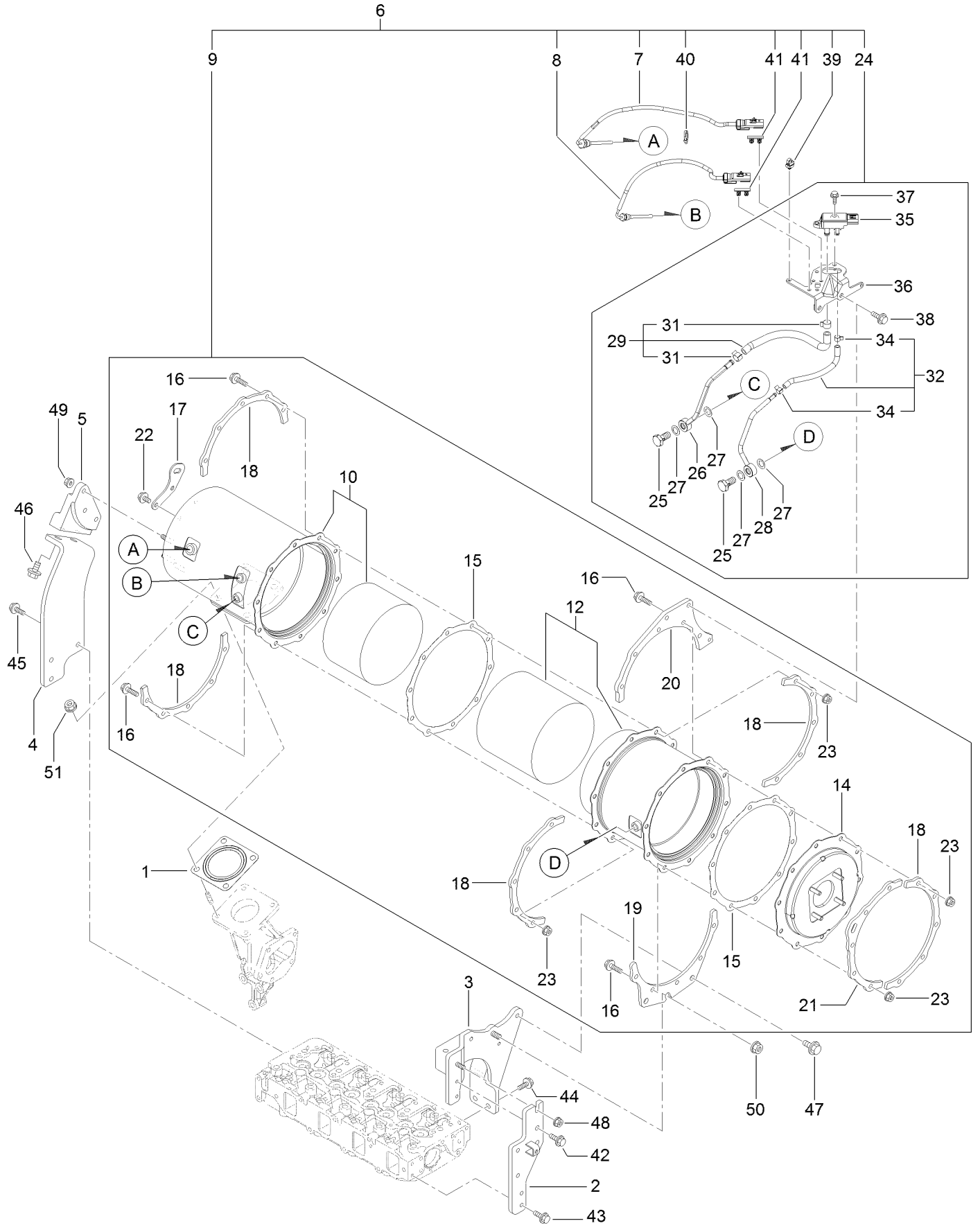
<i>Ref.</i>	<i>Part Number</i>	<i>Qty.</i>	<i>Description</i>
1	127-3023	1	Case-Gear
2	125-6995	2	Pin
3	125-6972	1	Cover-Filler
4	125-7107	2	Pipe
5	125-6909	2	O-Ring
6	127-2973	1	O-Ring
7	125-7197	1	O-Ring
8	125-7214	3	Bolt
9	127-3024	1	Gearcase Cover ASM

<i>Ref.</i>	<i>Part Number</i>	<i>Qty.</i>	<i>Description</i>
11	125-6944	1	Seal-Oil
12	125-6977	1	Cover
13	125-7174	1	Washer-Seal
14	125-7214	4	Bolt
15	125-7217	1	Bolt
16	125-7218	7	Bolt
17	125-7222	3	Bolt
18	125-7224	4	Bolt

Cylinder Head and Cover Assembly (continued)

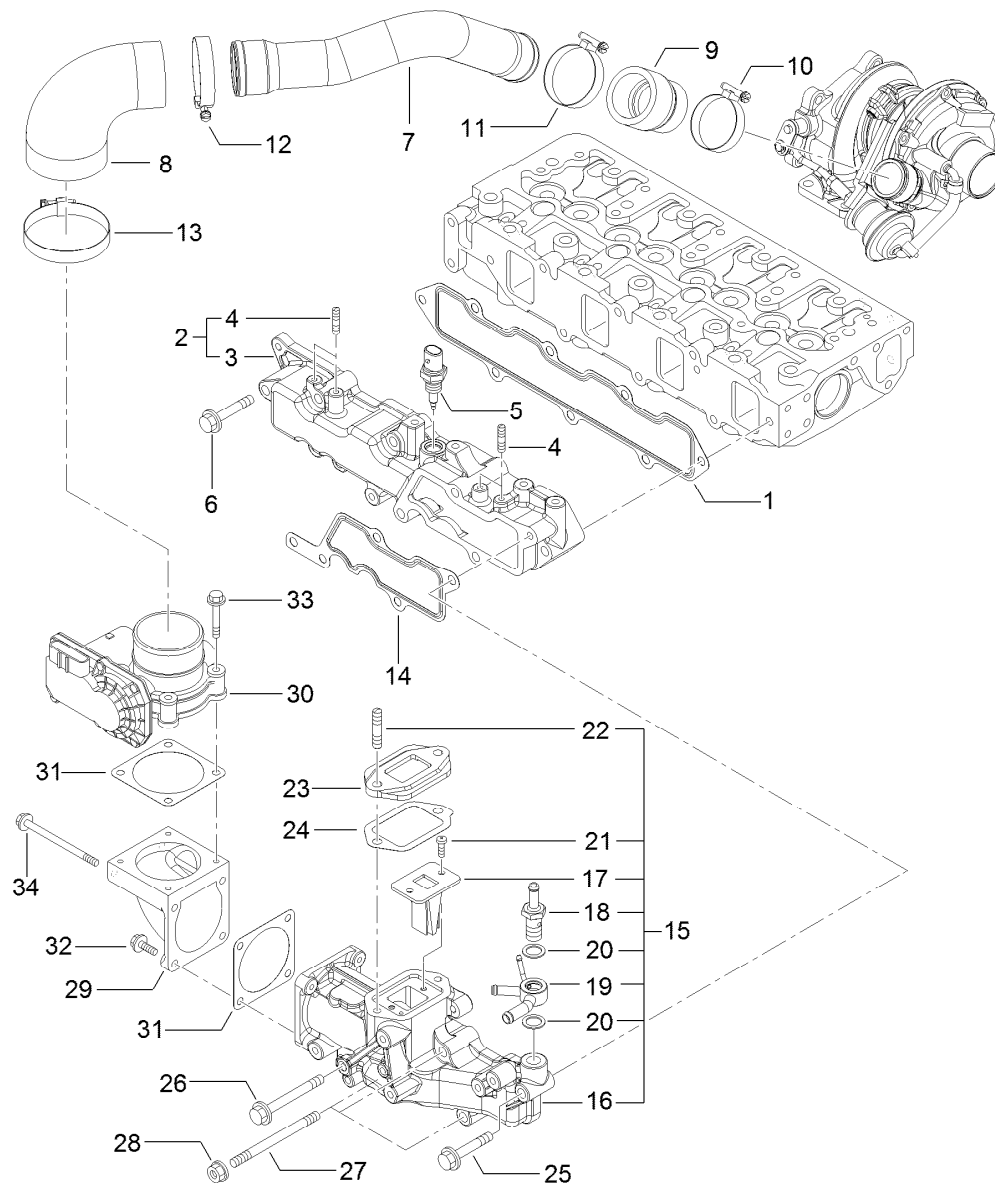
<i>Ref.</i>	<i>Part Number</i>	<i>Qty.</i>	<i>Description</i>	<i>Ref.</i>	<i>Part Number</i>	<i>Qty.</i>	<i>Description</i>
1	127-3005	1	Shaft ASM	42	125-6961	1	Plate-Breather
2	127-3006	1	Shaft	43	125-6962	1	Spring-Diaphragm
4	127-2974	2	Support	45	127-3106	1	Gasket-Cover
5	127-2975	3	Support	46	127-3026	1	Joint
6	127-2995	4	Spring	47	125-6994	1	Spring
7	127-2989	8	Arm-Rocker	48	127-3029	1	Sensor-Pressure
8	125-7013	8	Screw-Adjust, Valve	49	127-3032	2	O Ring-Sensor, Pressure
10	125-7014	8	Nut	50	127-3040	1	Hose ASM
11	127-3183	3	Stud	52	127-3041	2	Clip-Hose
12	127-2996	8	Cap-Valve	53	125-6913	1	Plug
13	127-3132	1	Cylinder Head ASM	54	125-7186	4	Screw
21	125-7240	2	Plug	55	125-7186	6	Screw
22	127-2990	4	Valve	56	125-7186	1	Screw
23	127-3012	8	Spring	57	127-3184	2	Bolt
24	127-2994	4	Valve	58	125-6974	3	Knob
25	127-3013	8	Retainer-Spring	59	127-2978	1	Plug
26	127-2986	4	Seal-Stem, Valve	60	93-0418	3	O-Ring
27	127-3027	4	Seal-Stem, Valve	61	127-3128	1	Joint-Breather
28	127-3186	8	Pin-Cotter	62	127-3129	1	Breather Hose ASM
30	127-3021	4	Gasket-Injector	64	125-7040	2	Clip-Hose
31	127-3028	4	Retainer-Injector	66	127-3133	1	Hose-Intake
32	127-2980	4	Washer-Injector	67	127-3030	1	Sensor-Temp, Air
33	125-7184	2	Pin-Spring	68	127-3033	1	O-Ring
34	125-7215	3	Bolt	69	125-7190	2	Clamp-Hose
35	125-7217	4	Bolt	70	125-7208	1	Bolt
36	125-7220	7	Bolt	71	127-3130	1	Lifter-Engine
37	127-3131	1	Cylinder Head Cover ASM	72	125-7214	2	Bolt
38	127-2988	1	Plate	73	127-2991	4	Plug-Glow
39	125-7012	1	Baffle	74	127-3123	1	Connector-Glow Plug
40	125-6959	1	Diaphragm	75	127-2979	4	Guide
41	125-6960	1	Plate	76	127-2997	4	Guide-Valve

Diesel Particulate Filter Assembly



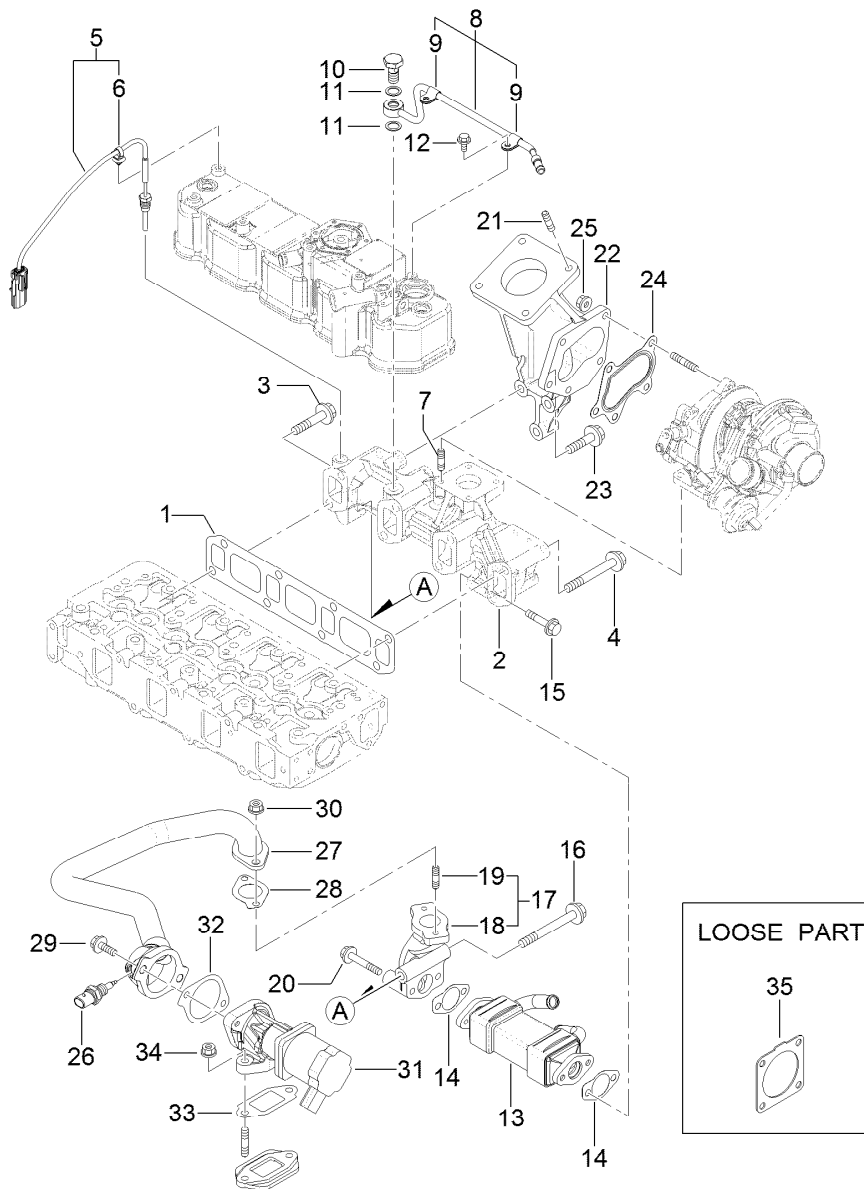
Diesel Particulate Filter Assembly (continued)

<i>Ref.</i>	<i>Part Number</i>	<i>Qty.</i>	<i>Description</i>	<i>Ref.</i>	<i>Part Number</i>	<i>Qty.</i>	<i>Description</i>
1	127-2987	1	Gasket-Silencer	27	127-3056	4	Gasket-Sensor
2	127-3095	1	Stay-D P F	28	127-3165	1	Exhaust Pressure Pipe ASM
3	127-3148	1	Stay- D P F	29	127-3114	1	Exhaust Hose ASM
4	127-3149	1	Stay-D P F	31	127-3057	2	Clip-Hose
5	127-3150	1	Stay-D P F	32	127-3059	1	Exhaust Pressure Hose ASM
6	127-3159	1	D P F Unit	34	127-3058	2	Clip-Hose
7	127-4764	1	Sensor-Temp, Exhaust	35	127-3060	1	Sensor-Pressure
8	127-3112	1	Sensor-Temp, Exhaust	36	127-3061	1	Bracket-Sensor, Pressure
9	127-3157	1	D P F ASM	37	125-7208	2	Bolt
10	127-3141	1	Case-Doc	38	125-7595	2	Bolt
12	127-3142R	1	Case-Filter, Soot-Recon	39	127-3087	1	Band-Clip
12	127-3142	1	Case-Filter, Soot	40	127-3124	1	Band
14	127-3143	1	Flange-Outlet	41	127-3088	2	Clip-Connector
15	127-3162	2	Gasket-D P F	42	125-7595	2	Bolt
16	127-3055	20	Bolt	43	125-7595	2	Bolt
17	127-3144	1	Lifter-D P F	44	125-7595	2	Bolt
18	127-3145	5	Stiffener-D P F, A	45	125-7595	3	Bolt
19	127-3146	1	Stiffener-D P F, B	46	127-3179	2	Bolt
20	127-3158	1	Stiffener-D P F, D	47	127-3179	2	Bolt
21	127-3147	1	Stiffener-D P F, C	48	125-7229	1	Nut
22	125-7213	2	Bolt	49	125-7229	3	Nut
23	125-7229	20	Nut	50	125-7230	1	Nut
24	127-3163	1	Pressure Sensor Unit	51	125-7230	4	Nut
25	127-3039	2	Bolt-Joint, Pipe				
26	127-3164	1	Exhaust Pressure Pipe ASM				



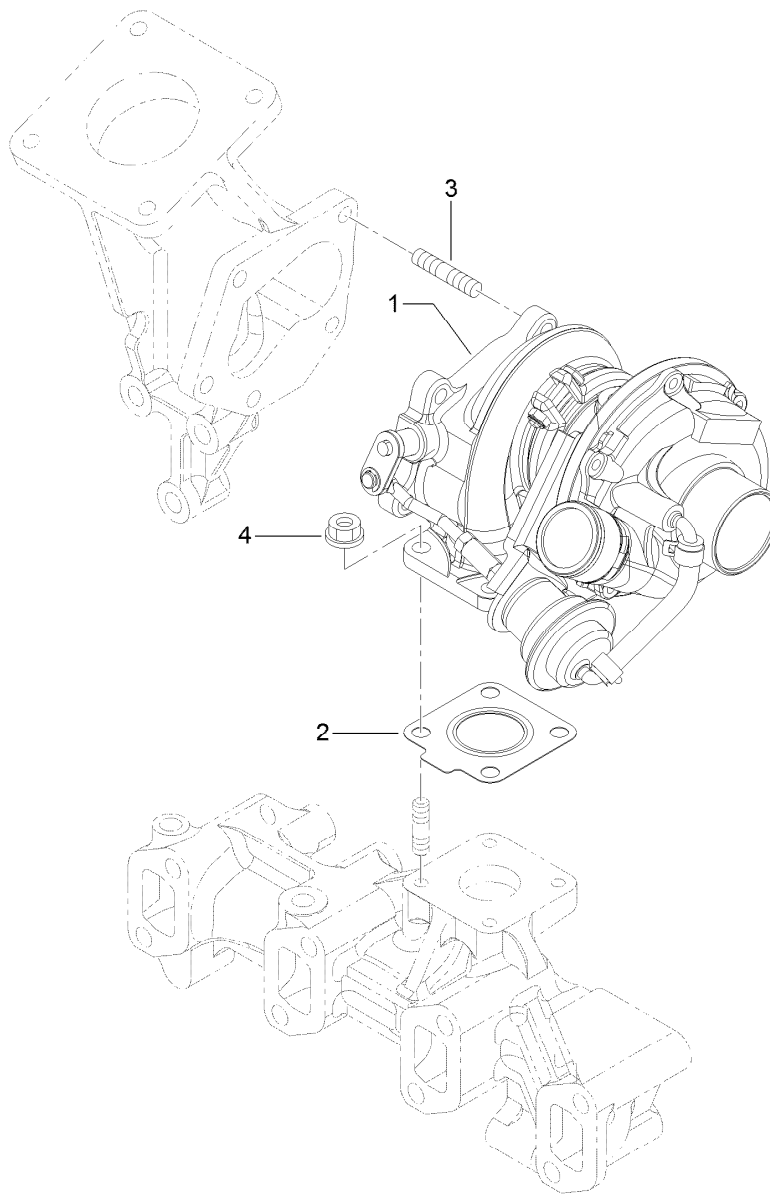
Suction Manifold Assembly

Ref.	Part Number	Qty.	Description	Ref.	Part Number	Qty.	Description
1	127-3107	1	Gasket-Manifold, Intake	18	127-3080	1	Joint-Hose
2	127-3135	1	Intake Manifold ASM	19	127-3081	1	Joint-Hose
3	127-3134	1	Manifold-Intake	20	127-3166	2	Washer-Seal
4	127-3180	4	Stud	21	127-3168	2	Screw
5	127-3031	1	Sensor-Temp, Air	22	127-3181	2	Stud
6	125-7220	5	Bolt	23	127-3045	1	Spacer-Valve, E G R
7	127-3152	1	Duct-Suction	24	127-3046	1	Gasket-E G R
8	127-3096	1	Joint-Rubber	25	125-7220	1	Bolt
9	127-3153	1	Joint-Rubber	26	127-3178	1	Bolt
10	125-7189	1	Clamp-Hose	27	127-3182	3	Stud
11	127-3170	1	Clamp-Hose	28	125-7229	3	Nut
12	125-7190	1	Clamp-Hose	29	127-3035	1	Bend-Inlet
13	127-3171	1	Clamp-Hose	30	127-3036	1	Body-Throttle
14	127-3034	1	Gasket-Collector	31	127-3037	2	Gasket-Throttle
15	127-3093	1	Intake Collector ASM	32	125-7209	2	Gasket
16	127-3092	1	Collector-Intake	33	125-7211	4	Bolt
17	127-3139	1	Valve-Reed	34	127-3177	2	Bolt



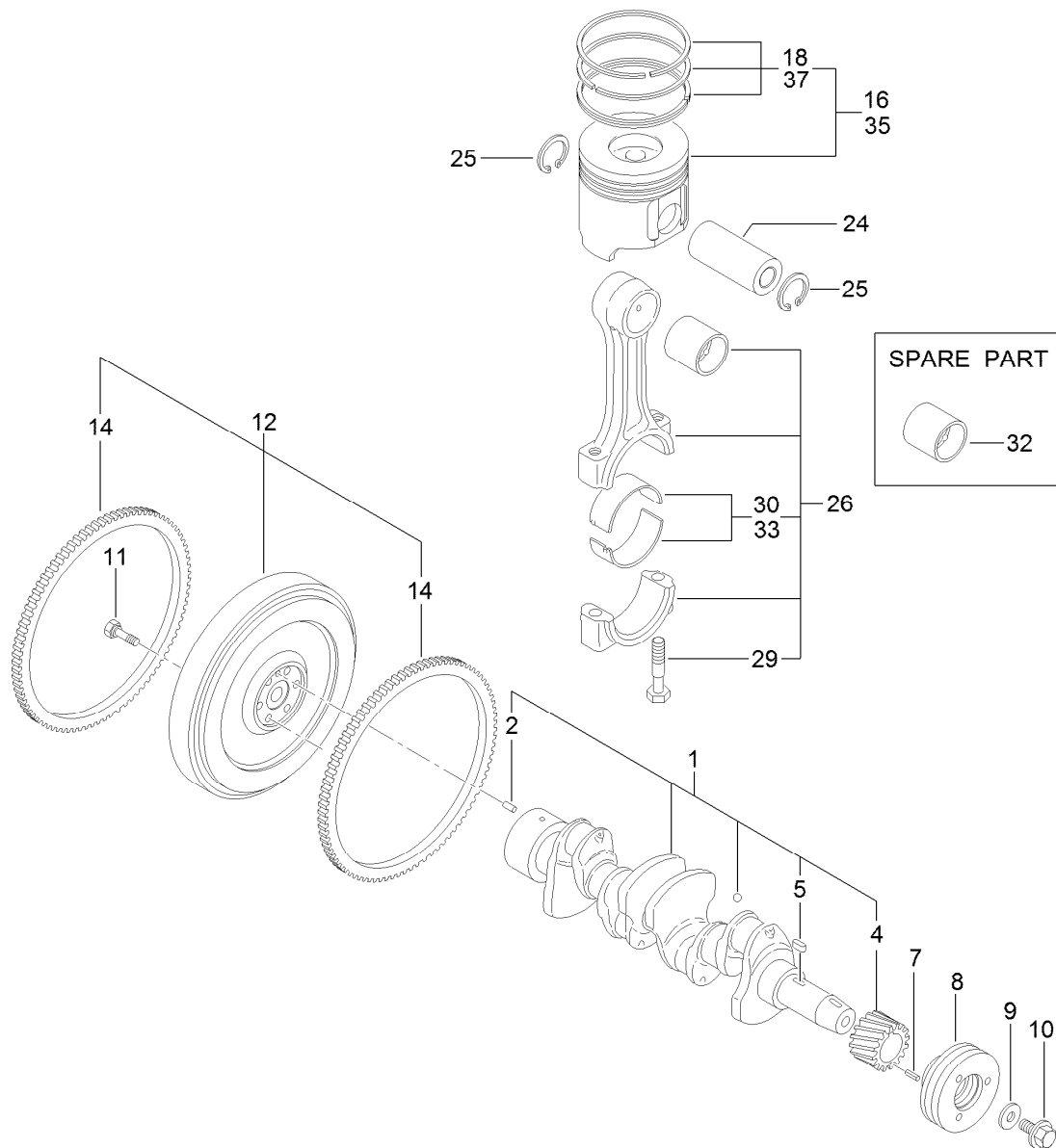
Exhaust Manifold Assembly

Ref.	Part Number	Qty.	Description	Ref.	Part Number	Qty.	Description
1	127-3108	1	Gasket-Manifold, Exhaust	19	125-7043	2	Stud
2	127-3136	1	Manifold-Exhaust	20	125-7220	2	Bolt
3	127-3094	1	Bolt	21	127-2984	4	Stud
4	127-3044	7	Bolt-M10	22	127-3137	1	Pipe-Exhaust
5	127-3140	1	Sensor-Temp, Exhaust	23	127-3138	3	Bolt-Flange
6	127-3087	1	Band-Clip	24	125-7071	1	Gasket
7	125-7043	4	Stud	25	125-7229	5	Nut
8	127-3038	1	Exhaust Pipe ASM	26	127-3047	1	Sensor-Gas Temp, E G R
9	127-3173	2	Clamp	27	127-3109	1	E G R Pipe ASM
10	127-3039	1	Bolt-Joint, Pipe	28	127-3016	1	Gasket
11	127-3174	2	Gasket	29	125-7215	2	Bolt
12	125-7206	2	Bolt	30	125-7229	2	Nut
13	127-3042	1	Cooler-E G R	31	127-3110	1	Valve-E G R
14	127-3043	2	Gasket-Cooler, E G R	32	127-3050	1	Gasket-Intake Valve, E G R
15	127-2976	2	Bolt	33	127-3051	1	Gasket-Out Valve, E G R
16	127-3022	1	Bolt-Flange	34	125-7229	2	Nut
17	127-3048	1	E G R Pipe ASM	35	127-3019	1	Gasket
18	127-3049	1	Pipe-Out, E G R				



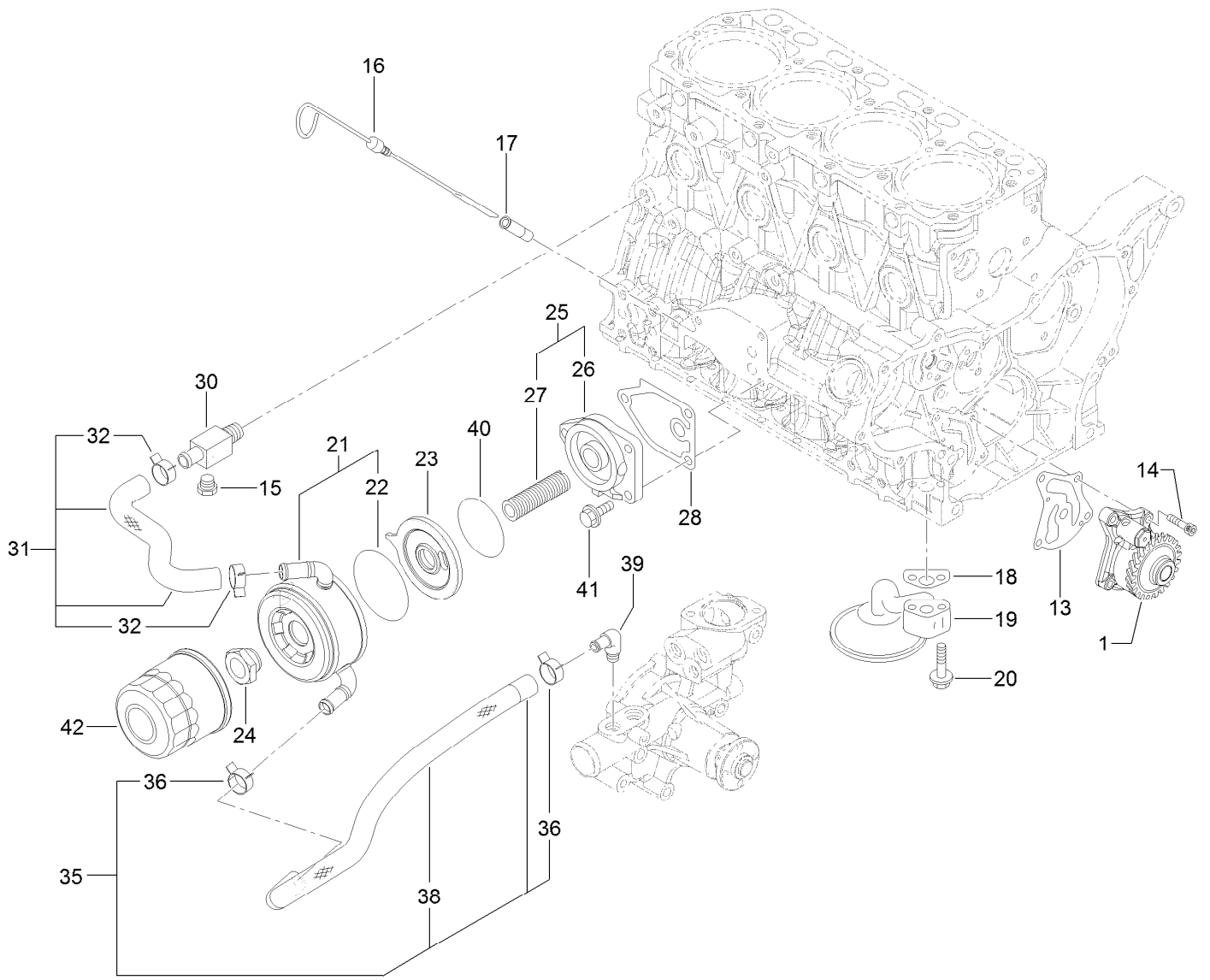
Turbine Assembly

<i>Ref.</i>	<i>Part Number</i>	<i>Qty.</i>	<i>Description</i>
1	127-3151	1	Turbine ASM
2	125-7070	1	Gasket
3	125-6906	5	Stud
4	125-7229	4	Nut



Crankshaft and Piston Assembly

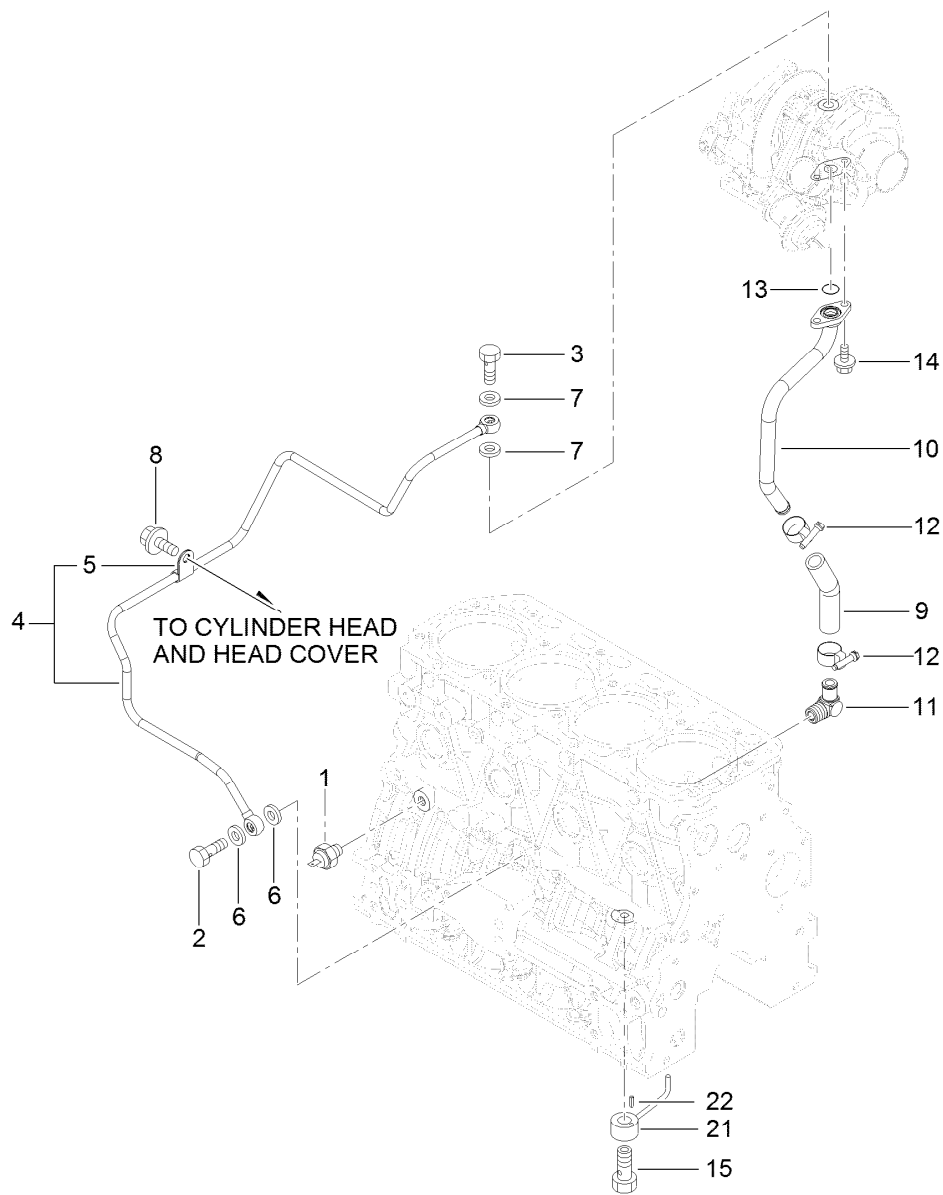
<i>Ref.</i>	<i>Part Number</i>	<i>Qty.</i>	<i>Description</i>	<i>Ref.</i>	<i>Part Number</i>	<i>Qty.</i>	<i>Description</i>
1	125-7091	1	Crankshaft ASM	16	127-3097	4	Piston ASM
2	125-6995	1	Pin	18	127-3098	4	Piston Ring ASM
4	125-6937	1	Gear	24	125-7030	4	Pin
5	125-7185	1	Key	25	125-7180	8	Ring
7	125-7182	1	Pin-Spring	26	125-7242	4	Connecting Rod ASM
8	125-6925	1	V-Pulley	29	125-6955	8	Bolt
9	125-7109	1	Washer	30	125-7018	4	Pin-Crank
10	125-6956	1	Bolt	32	125-6997	4	Pin-Piston
11	125-6951	6	Bolt	33	125-7019	4	Pin-Crank (.25)
12	127-3160	1	Flywheel ASM	35	127-3099	4	Piston ASM (0.25 O.S.)
14	125-6943	1	Gear	37	127-3100	4	Piston Ring ASM (0.25 O.S.)



Lubrication and Oil System Assembly

Ref.	Part Number	Qty.	Description
1	127-3101	1	Oil Lube Pump ASM
13	127-3004	1	Gasket
14	125-7232	4	Bolt
15	125-7171	1	Plug-Drain
16	125-6987	1	Dipstick
17	125-6954	1	Guide-Dipstick
18	125-7022	1	Gasket
19	125-7023	1	Pipe ASM
20	125-7217	2	Bolt
21	127-3014	1	Cooler ASM
22	127-2985	1	O-Ring
23	127-3015	1	Bracket-Cooler
24	125-7041	1	Nut-Cooler, Oil
25	127-3009	1	Bracket ASM

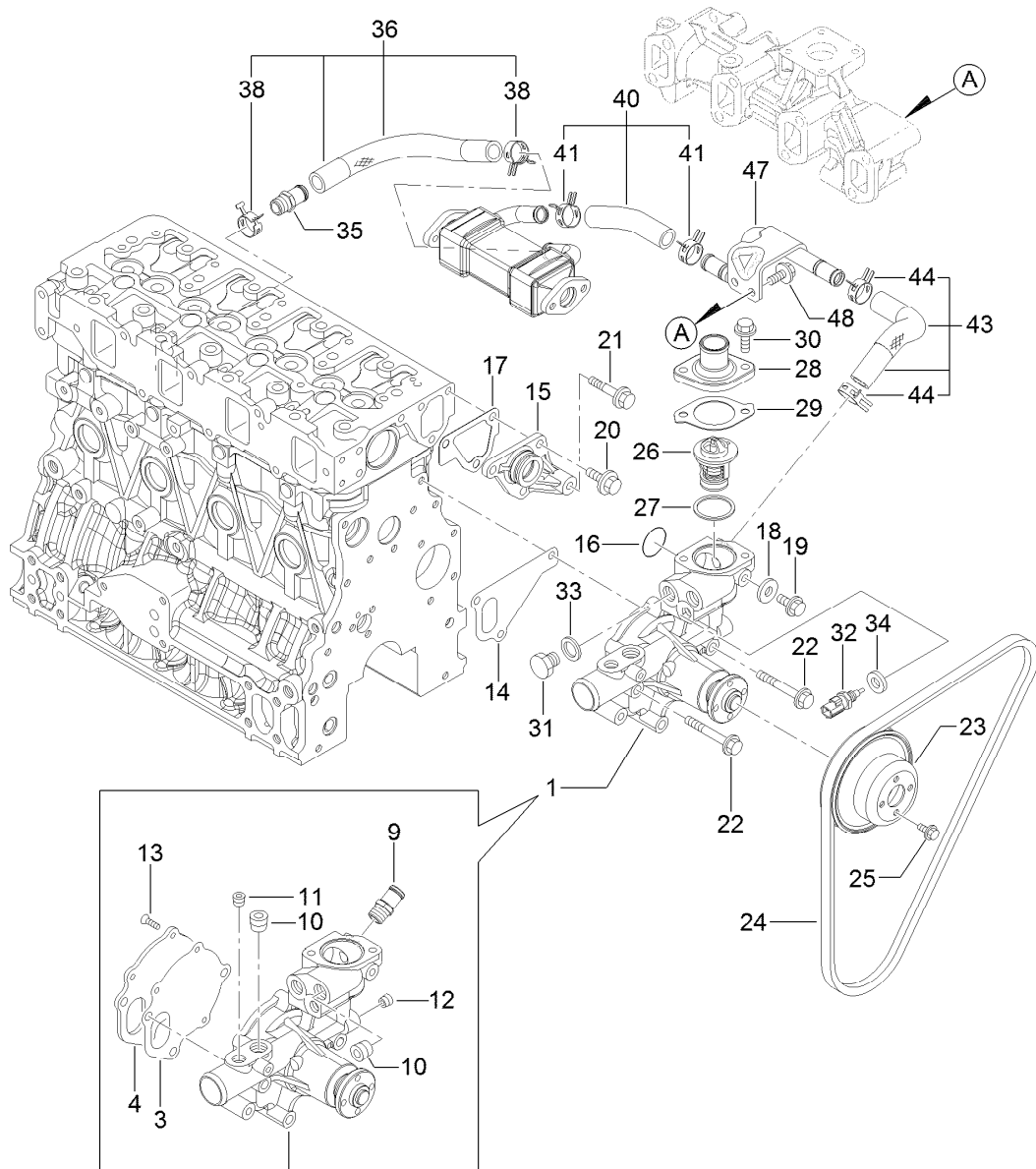
Ref.	Part Number	Qty.	Description
26	125-6930	1	Bracket
27	127-3010	1	Stud
28	125-7024	1	Gasket
30	125-6990	1	Joint
31	127-3102	1	Pipe-Cooling, Water
32	125-7162	2	Clip
35	127-3103	1	Hose-Cooling, Water
36	125-7162	2	Clip
38	127-3007	1	Tube
39	125-7001	1	Elbow
40	127-3176	1	O-Ring
41	125-7595	3	Bolt
42	125-7025	1	Filter-Engine



Lubrication Oil Line Assembly

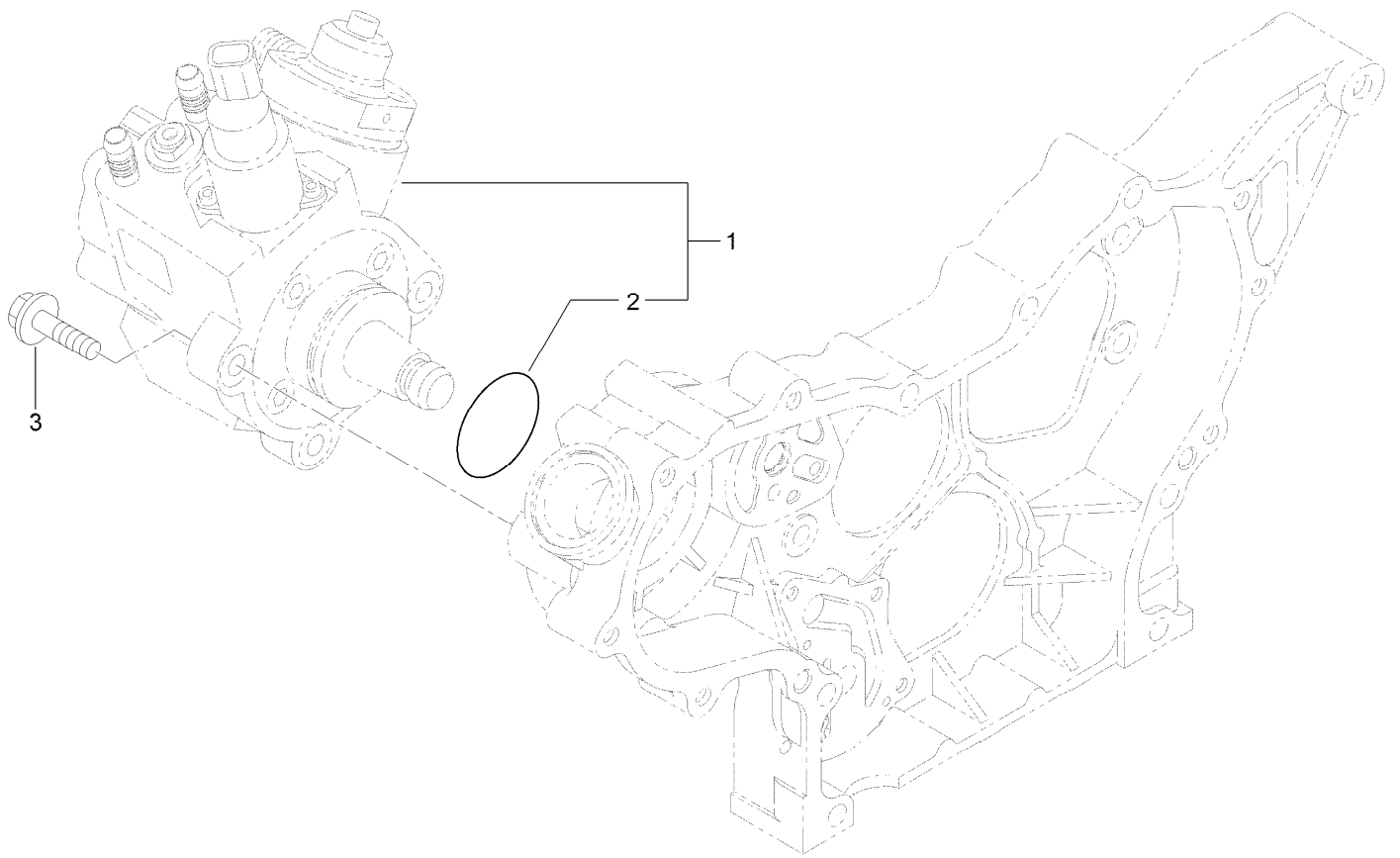
Ref.	Part Number	Qty.	Description
1	125-6918	1	Switch-Oil
2	125-6975	1	Bolt-Joint, Pipe
3	125-6952	1	Bolt-Joint, Pipe
4	127-3154	1	Lube Oil Pipe ASM
5	125-6976	1	Retainer
6	125-7175	2	Washer-Seal
7	125-7193	2	Gasket
8	93-0362	1	Bolt
9	127-2992	1	Joint

Ref.	Part Number	Qty.	Description
10	127-3155	1	Pipe-Lube, Oil
11	127-3003	1	Elbow
12	127-3169	2	Clamp-Hose
13	125-7198	1	O-Ring
14	125-7208	2	Bolt
15	125-7105	4	Check Valve ASM
21	125-7098	4	Nozzle
22	125-7182	4	Pin-Spring



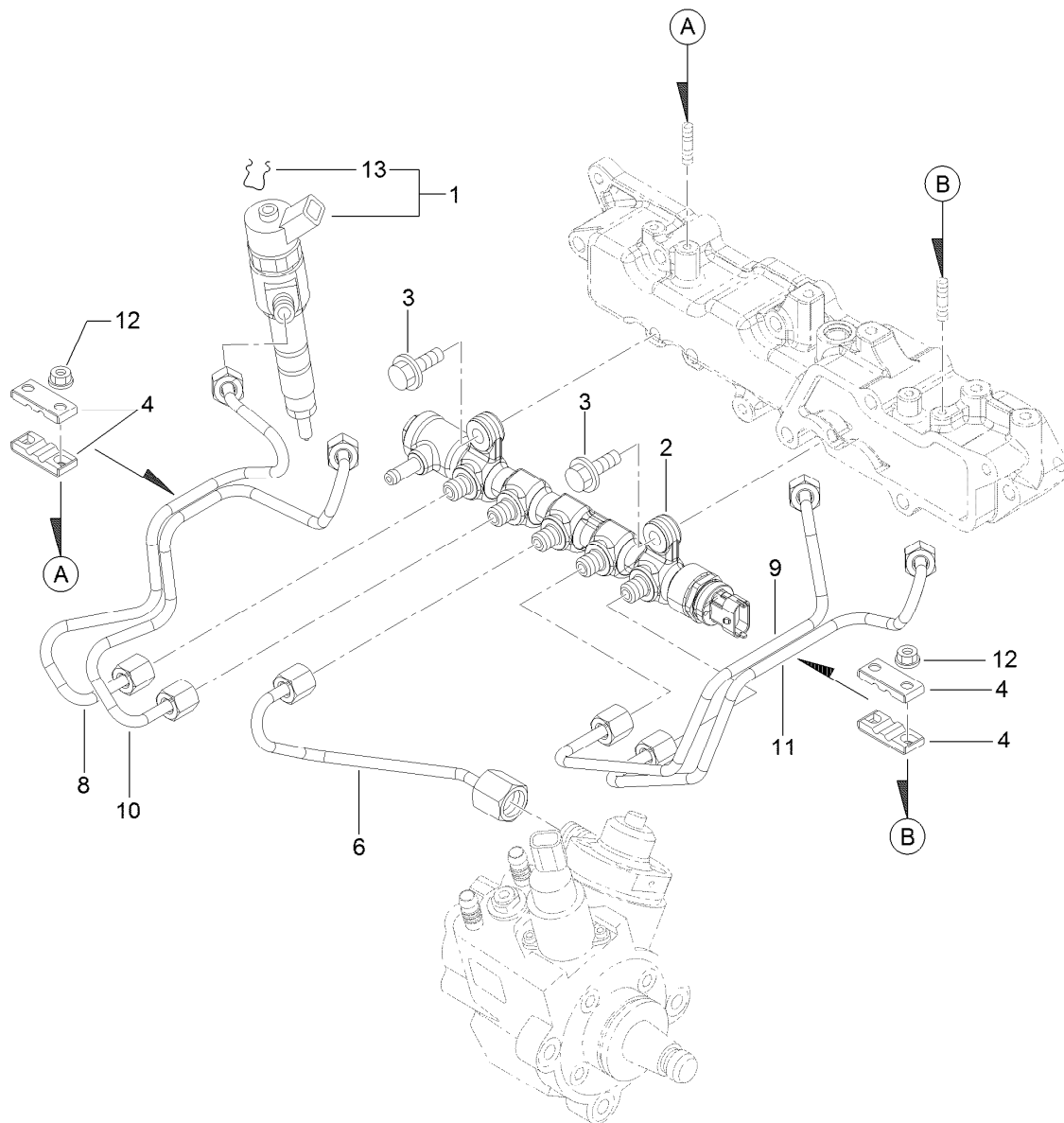
Cooling Water System Assembly

Ref.	Part Number	Qty.	Description	Ref.	Part Number	Qty.	Description
1	127-3071	1	Water Pump ASM	25	125-7206	4	Bolt
3	125-6998	1	Gasket	26	125-7029	1	Thermostat
4	125-6999	1	Plate	27	125-7026	1	Gasket
9	127-3017	1	Joint	28	125-7034	1	Cover
10	125-7123	2	Plug	29	125-7110	1	Gasket
11	127-3175	1	Plug	30	125-7594	2	Bolt
12	125-7195	1	Plug	31	125-6953	1	Plug
13	125-7234	3	Screw	32	125-7124	1	Sensor-Thermostat, CW
14	125-7047	1	Gasket	33	125-6979	1	Gasket
15	125-6986	1	Joint	34	125-7176	1	Washer-Seal
16	125-7048	1	O-Ring	35	127-3017	1	Joint
17	125-6978	1	Gasket	36	127-3072	1	Water In Pipe ASM
18	125-7192	1	Gasket	38	127-3020	2	Clip-Hose
19	93-0362	1	Bolt	40	127-3115	1	Water Out Pipe ASM
20	125-7214	3	Bolt	41	127-3020	2	Clip-Hose
21	125-7219	1	Bolt	43	127-3116	1	Water Out Pipe ASM
22	125-7222	3	Bolt	44	127-3020	2	Clip-Hose
23	125-7039	1	V-Pulley	47	127-3117	1	Pipe-Out, CW
24	127-2998	1	V-Belt	48	125-7214	2	Bolt



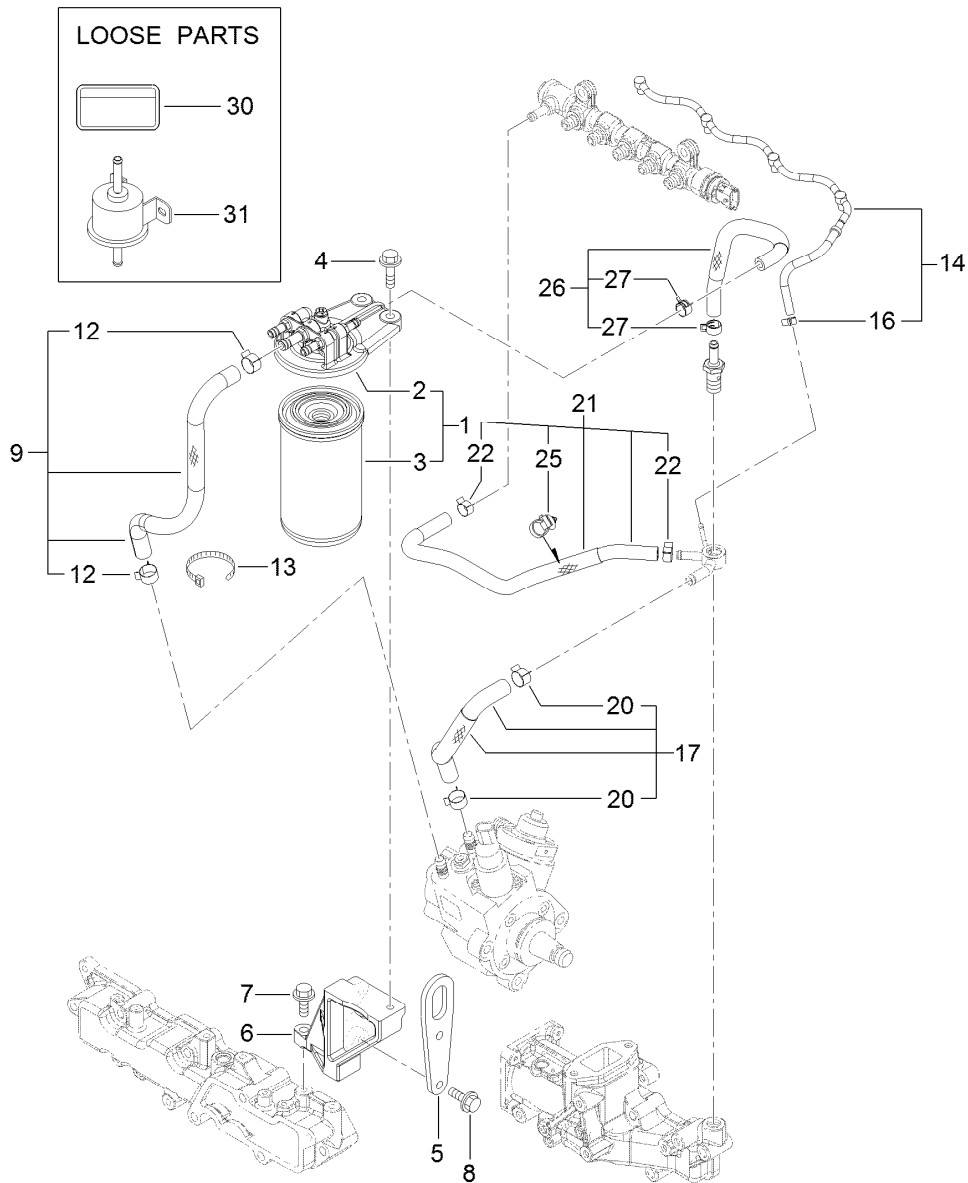
Fuel System Assembly

<i>Ref.</i>	<i>Part Number</i>	<i>Qty.</i>	<i>Description</i>
1	127-3073	1	Fuel Pump ASM
2	127-3074	1	O-Ring
3	125-7216	3	Bolt



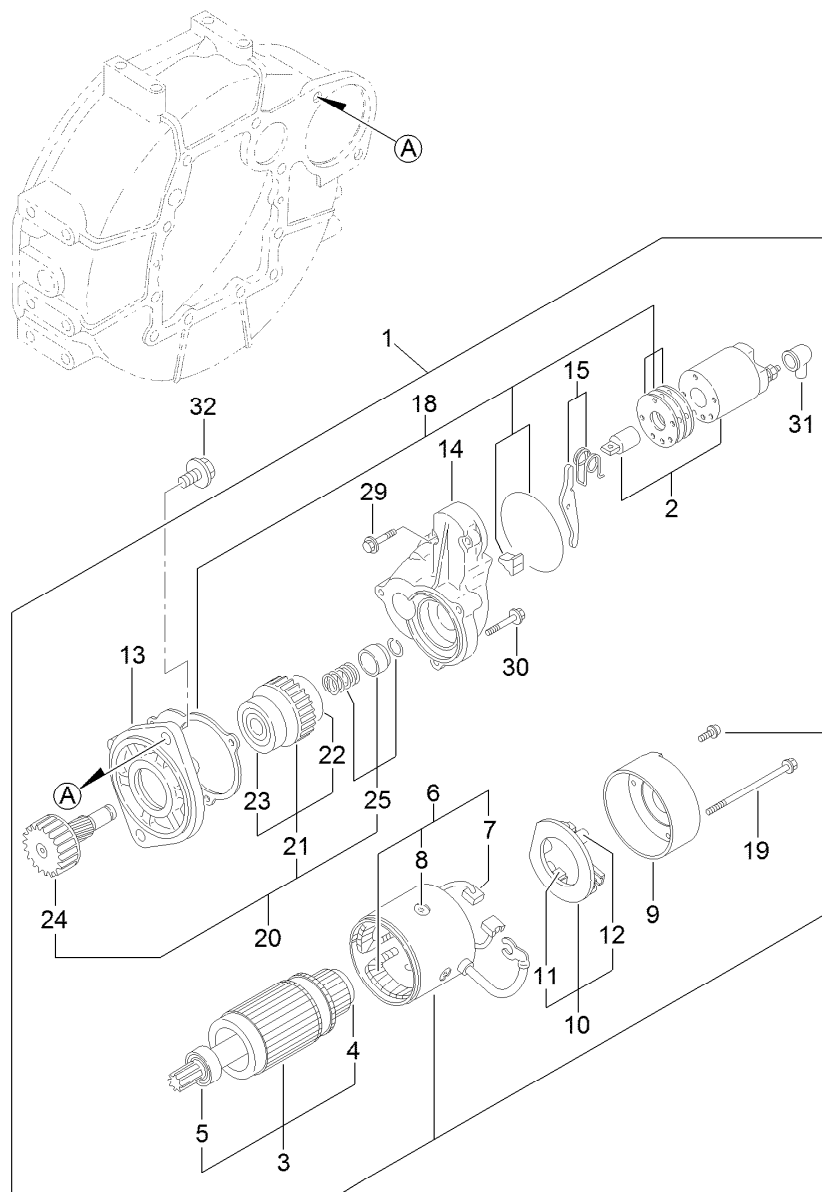
Fuel Injection Valve Assembly

Ref.	Part Number	Qty.	Description
1	127-3104	4	Injector ASM
2	127-3118	1	Rail ASM
3	125-7215	2	Bolt
4	127-2982	4	Retainer
6	127-3082	1	Rail In Pipe ASM
8	127-3121	1	Injection Pipe ASM
9	127-3083	1	Injection Pipe ASM
10	127-3122	1	Injection Pipe ASM
11	127-3084	1	Injection Pipe ASM
12	125-7231	4	Nut
13	130-7430	4	Ring-Retaining



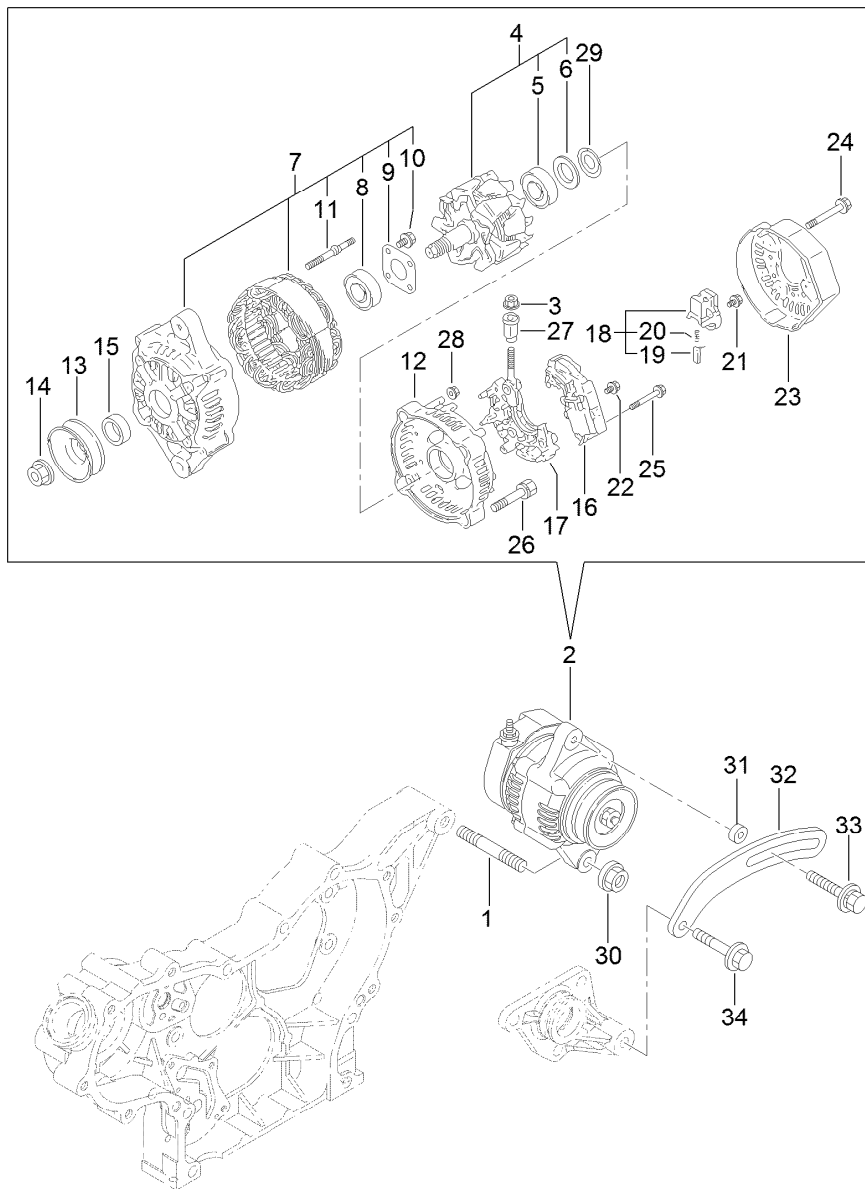
Fuel Line Assembly

<i>Ref.</i>	<i>Part Number</i>	<i>Qty.</i>	<i>Description</i>	<i>Ref.</i>	<i>Part Number</i>	<i>Qty.</i>	<i>Description</i>
1	127-3075	1	Fuel/Oil Filter ASM	14	127-3120	1	Fuel Pipe ASM
2	127-3076	1	Fuel/Oil Filter Bracket ASM	16	127-3172	1	Clamp-Hose
3	125-8752	1	Filter-Fuel/Oil	17	127-3078	1	Fuel Pipe ASM
4	125-7216	2	Bolt	20	125-7191	2	Clamp-Hose
5	127-3091	1	Lifter-Engine	21	127-3119	1	Fuel Pipe ASM
6	127-3105	1	Stay-Bracket, Filter	22	127-2950	2	Clip-Hose
7	125-7215	1	Bolt	25	127-3087	1	Band-Clip
8	125-7216	2	Bolt	26	127-3079	1	Fuel Pipe ASM
9	127-3077	1	Fuel Pipe ASM	27	127-2950	2	Clip-Hose
12	125-7191	2	Clamp-Hose	30	125-6900	1	Label-Caution, Fuel Oil
13	127-2981	1	Band	31	127-3008	1	Fuel Feed Pump ASM



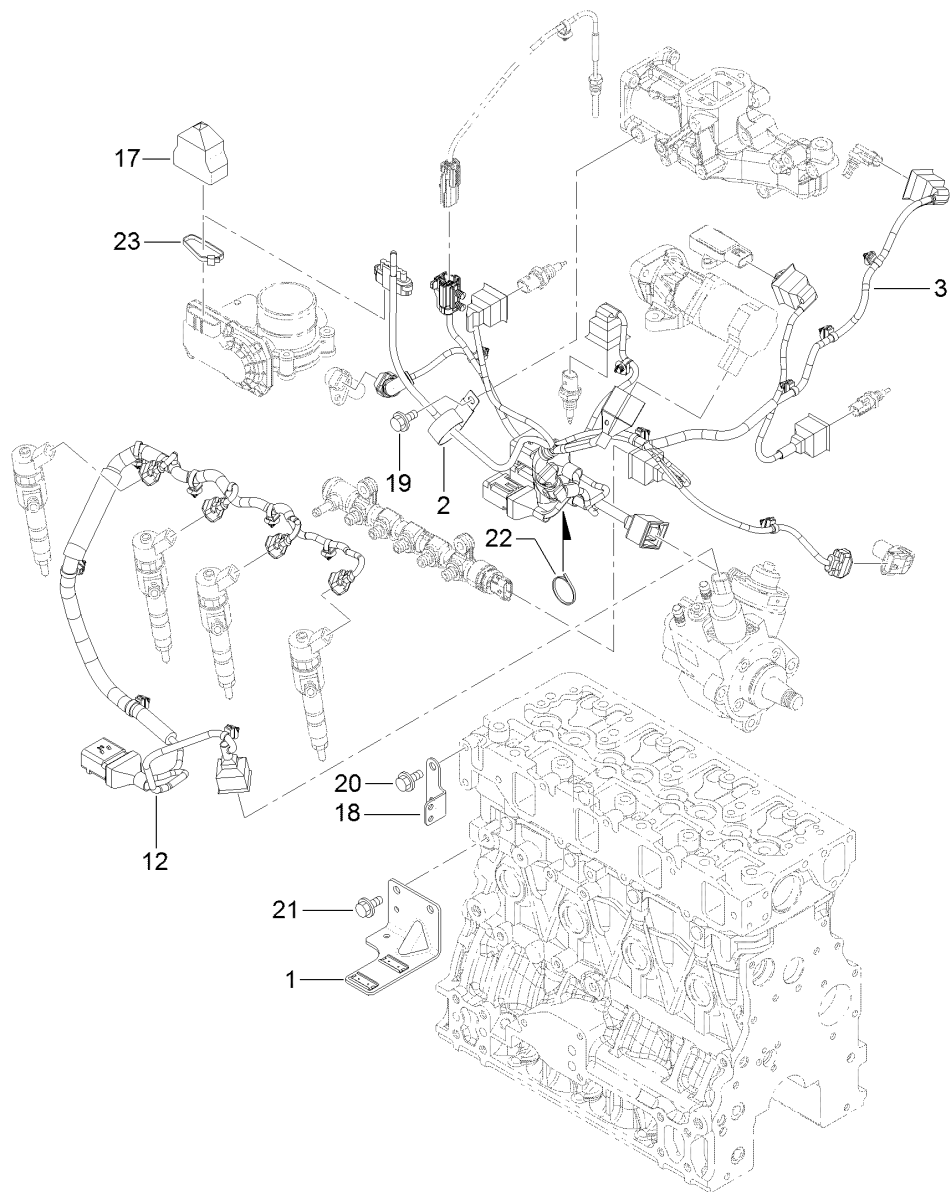
Starting Motor Assembly

Ref.	Part Number	Qty.	Description	Ref.	Part Number	Qty.	Description
1	125-7003	1	Starter	15	125-7165	1	Lever Set
2	125-7004	1	Switch ASM	18	125-7037	1	Dust Cover ASM
3	125-7112	1	Armature ASM	19	125-7117	2	Bolt-Through
4	125-7252	1	Bearing-Ball	20	125-7166	1	Pinion ASM
5	125-7249	1	Bearing, Ball	21	125-7250	1	Clutch ASM
6	125-7113	1	Field Coil ASM	22	125-7251	1	Bearing-Ball
7	125-7114	2	Brush	23	125-7253	1	Bearing-Ball
8	125-7163	4	Screw	24	125-7167	1	Shaft
9	125-7115	1	Cover	25	125-7168	1	Stopper Set
10	125-7116	1	Brush Holder ASM	29	125-7210	2	Bolt
11	125-7114	2	Brush	30	125-7211	3	Bolt
12	125-7036	4	Spring	31	125-7169	1	Cover
13	125-7164	1	Case-Gear	32	125-7225	2	Bolt
14	125-7005	1	Housing				



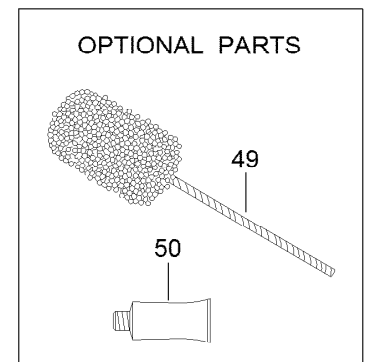
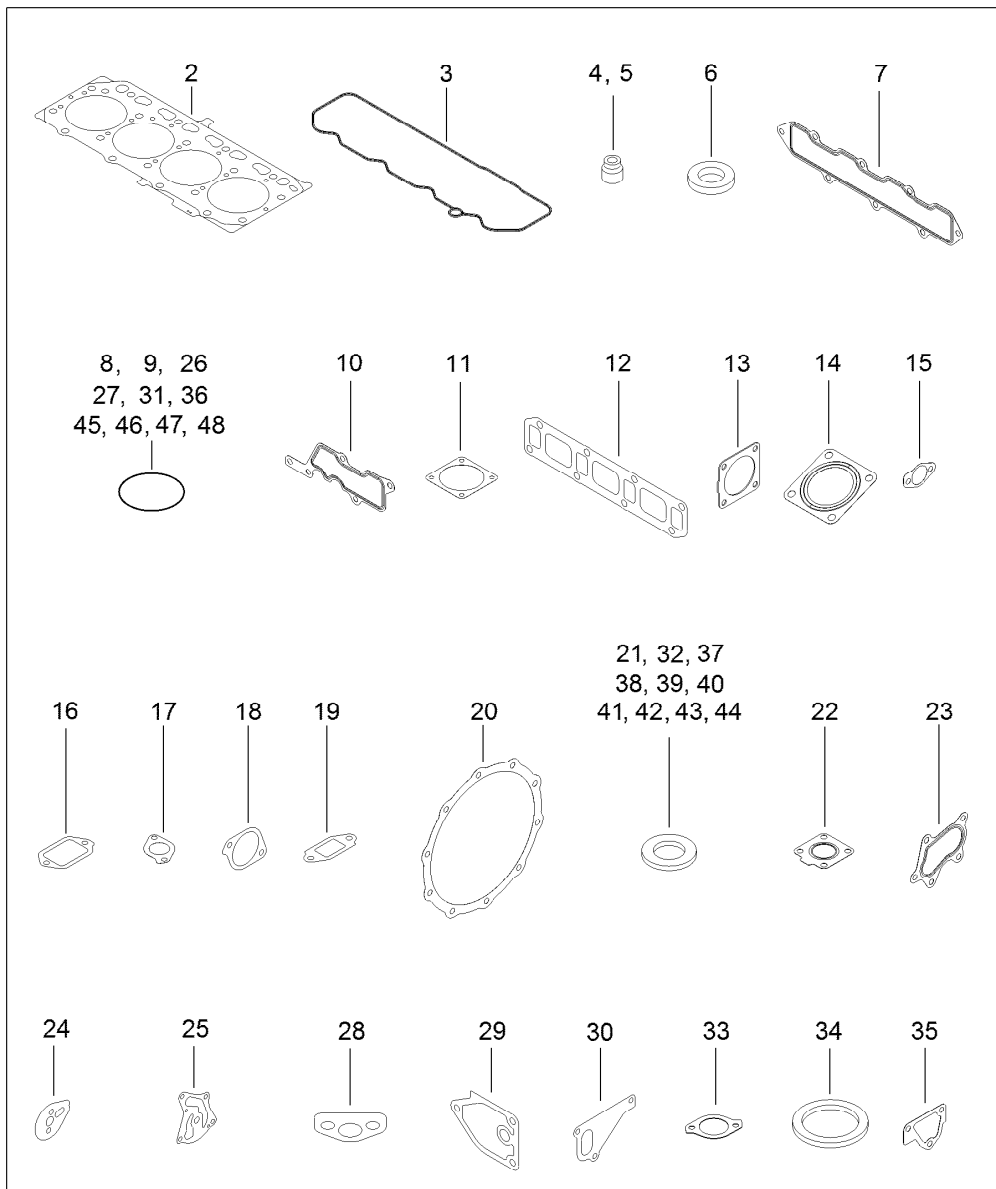
Generator Assembly

Ref.	Part Number	Qty.	Description	Ref.	Part Number	Qty.	Description
1	127-3011	1	Stud	18	127-2993	1	Holder
2	125-7120	1	Alternator-12V	19	127-2956	2	Brush ASM
3	127-3190	1	Nut	20	127-2964	2	Spring
4	127-2951	1	Rotor ASM	21	127-2965	6	Screw
5	127-2983	1	Bearing-Ball	22	127-2966	1	Screw
6	127-2962	1	Cover	23	127-2999	1	Cover
7	127-2952	1	Frame ASM	24	127-2967	3	Bolt
8	127-2958	1	Bearing-Ball	25	127-2968	2	Screw
9	127-2959	1	Plate-Retainer	26	127-2969	2	Bolt
10	127-2960	4	Screw	27	127-2970	1	Bushing-Insulation
11	127-2961	2	Stud	28	127-2971	2	Nut
12	127-2953	1	Frame ASM	29	127-2972	1	Washer
13	127-2954	1	Pulley	30	125-7230	1	Nut
14	127-2955	1	Nut	31	125-6947	1	Spacer
15	127-2957	1	Collar	32	127-2977	1	Adjuster
16	127-3002	1	Regulator ASM	33	125-7134	1	Bolt
17	127-2963	1	Holder	34	125-7219	1	Bolt



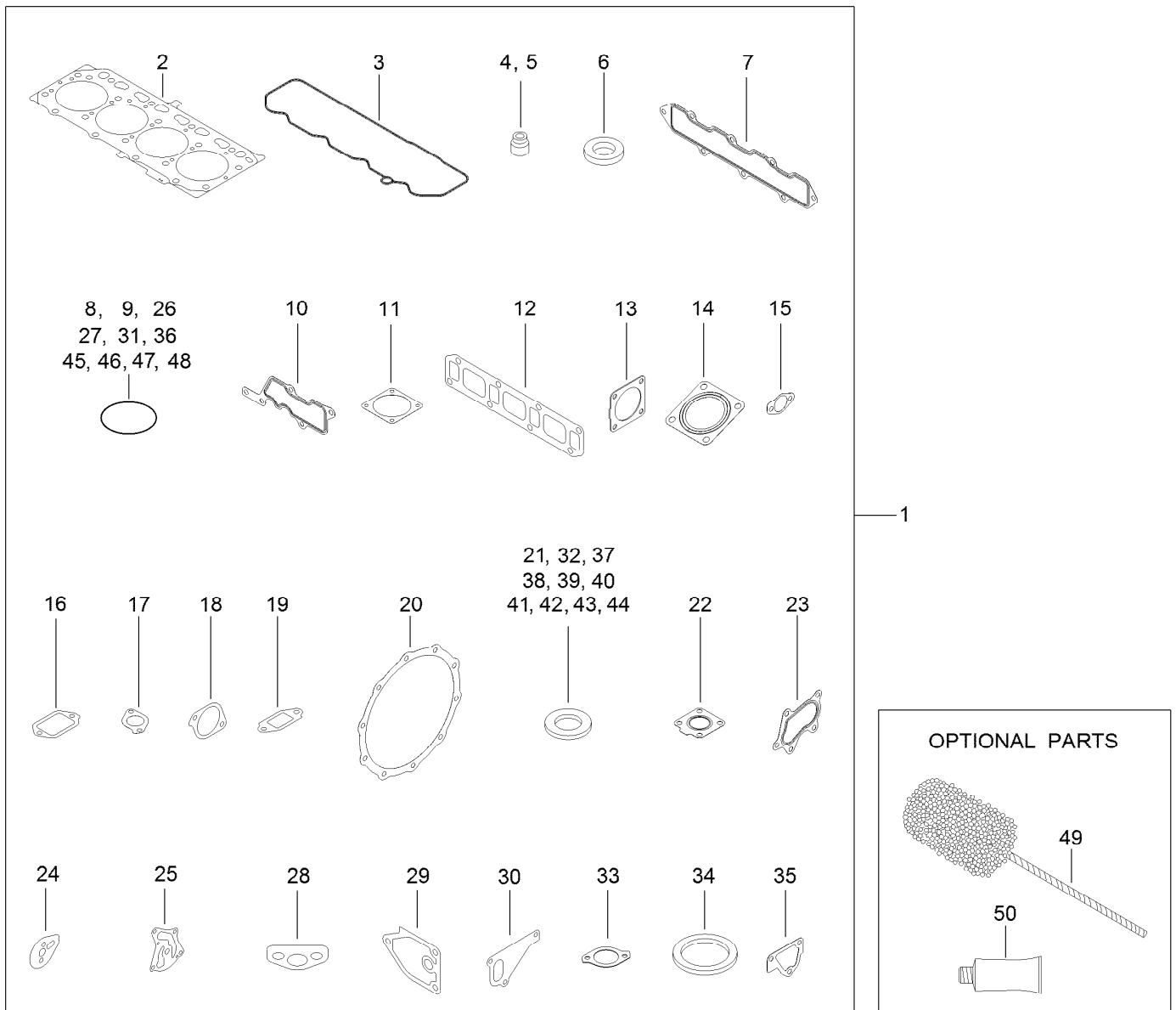
Electric Parts Assembly

Ref.	Part Number	Qty.	Description
1	127-3086	1	Bracket-Connector
2	127-3018	1	Clip
3	127-3156	1	Harness B-E C O, Engine
12	127-3125	1	Harness C
17	127-3089	1	Boot-Type, Cap
18	127-3090	1	Bracket-Harness
19	93-0362	1	Bolt
20	93-0362	2	Bolt
21	93-0362	2	Bolt
22	127-3187	1	Band
23	127-3188	1	Band



Gasket Set

Ref.	Part Number	Qty.	Description	Ref.	Part Number	Qty.	Description
1	127-3189	1	Gasket Kit	22	125-7070	1	Gasket
2	127-3126	1	Gasket-Head, Cylinder	23	125-7071	1	Gasket
3	127-3106	1	Gasket-Cover	24	127-3069	1	Gasket-Idle, Shaft B
4	127-2986	4	Seal-Stem, Valve	25	127-3004	1	Gasket
5	127-3027	4	Seal-Stem, Valve	26	125-6909	2	O-Ring
6	127-3021	4	Gasket-Injector	27	127-2973	1	O-Ring
7	127-3107	1	Gasket-Manifold, Intake	28	125-7022	1	Gasket
8	127-3032	2	O Ring-Sensor, Pressure	29	125-7024	1	Gasket
9	127-3033	1	O-Ring	30	125-7047	1	Gasket
10	127-3034	1	Gasket-Collector	31	125-7048	1	O-Ring
11	127-3037	2	Gasket-Throttle	32	125-6979	1	Gasket
12	127-3108	1	Gasket-Manifold, Exhaust	33	125-7110	1	Gasket
13	127-3019	1	Gasket	34	125-7026	1	Gasket
14	127-2987	1	Gasket-Silencer	35	125-6978	1	Gasket
15	127-3043	2	Gasket-Cooler, E G R	36	127-3074	1	O-Ring
16	127-3046	1	Gasket-E G R	37	125-7174	1	Washer-Seal
17	127-3016	1	Gasket	38	125-7175	2	Washer-Seal
18	127-3050	1	Gasket-Intake Valve, E G R	39	125-7176	1	Washer-Seal
19	127-3051	1	Gasket-Out Valve, E G R	40	127-3166	2	Washer-Seal
20	127-3162	2	Gasket-D P F	41	125-7177	1	Washer-Seal
21	127-3056	4	Gasket-Sensor	42	125-7192	1	Gasket



Gasket Set (continued)

<i>Ref.</i>	<i>Part Number</i>	<i>Qty.</i>	<i>Description</i>	<i>Ref.</i>	<i>Part Number</i>	<i>Qty.</i>	<i>Description</i>
43	125-7193	2	Gasket	47	125-7198	1	O-Ring
44	127-3174	2	Gasket	48	127-3176	1	O-Ring
45	93-0418	3	O-Ring	49	127-3000	1	Hone
46	125-7197	1	O-Ring	50	125-7248	1	Gasket-Liquid

Attachments and Accessories

For 30608 Groundsmaster 4100 Rotary Mower

Product Name	Model/Part
Blade-Combination (19in).....	106-7166-03
Blade-Atomic (19in).....	107-0215-03
Premium All Season Hydraulic Fluid (5 Gallon Pail).....	108-1178
Atomic Blade Service Pack.....	108-1451
Blade-Flat Sail (19in).....	110-6116-03
Flat Blade Service Pack (19in).....	110-6140
Vinyl Backrest Extension Kit.....	119-7718
Large Seat Cover.....	120-5179
Castor Wrench.....	121-3874
Premium Engine Oil 10w30 (5 Gallon Pail).....	121-6393
Premium Engine Oil 15w40 (55 Gallon Drum).....	121-6394
Premium Engine Oil 15w40 (5 Gallon Pail).....	121-6395
MVP Blade Kit.....	130-2660
Pivot Caster Scraper Kit.....	132-6114
Skid Plate Kit.....	136-4360
Tire-High Traction (20x10-10).....	136-4440
Tire-High Traction (26x12-12).....	136-4442
Universal Sunshade.....	30349
Flow Divider Kit.....	30407
400 Hour MVP Kit.....	30408
North American Light Kit.....	30414
Leaf Mulcher Kit.....	30419
Replacement Cutting Unit.....	30451
CE Kit.....	30453
Beacon Kit.....	30661
Slow-Moving Vehicle Sign Kit.....	30665
Light Adapter Kit.....	30691
Horn Kit.....	31511
Backup Alarm Kit.....	31512
Flow Divider Kit, Serial Number 400000000 and After Groundsmaster 4100 Series Traction Unit.....	31526
8in Foam Filled Wheel ASM.....	93-5974



Count on it.