



Count on it.

Parts Catalog

**Z Master[®] Riding Mower
with 48in TURBO FORCE[®] Side Discharge
Mower**

Model No. 74902TE—Serial No. 312000001 and Up



Ordering Replacement Parts

To order replacement parts, please supply the part number, the quantity, and the description of each part desired.

Understanding Reference Numbers

Each identified part in an illustration has a reference number. The reference number for a part also appears in the parts list, along with other information about the part.

This catalog uses two special reference number formats, one to indicate parts in a service assembly and another to indicate the quantity of a given part in an illustration.

Service Assembly Reference Numbers

Parts in service assemblies have reference numbers in the form a:b. The a represents the reference number of the entire service assembly and the b represents a sequential number unique to each part within the service assembly.

For example, a wheel assembly might be identified by reference number 6, the tire by 6:1, the valve by 6:2, and the wheel by 6:3. When you order the assembly identified by reference number 6, you receive all parts identified by reference numbers 6:1, 6:2, and 6:3. However, you may also order any part individually. Reference numbers of this type appear in illustration and in parts lists.

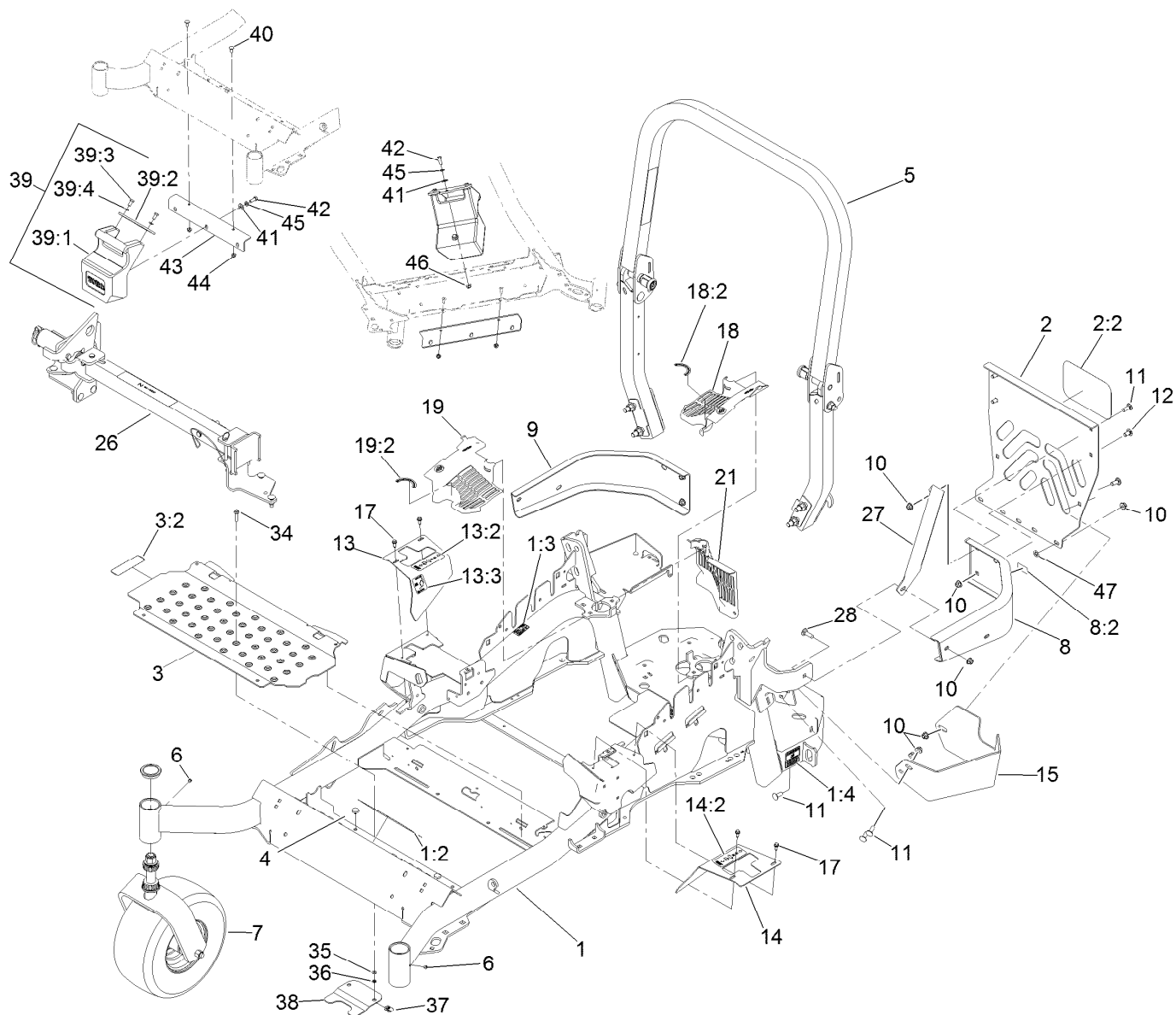
Reference Numbers Indicating Quantity

In an illustration, if a reference number indicates more than one part, the reference number has the form nX y. The n represents the quantity of the part, the X is the multiplication symbol, and the y represents the reference number.

For example, in an illustration, the reference number 2X 37 means that two of the parts identified by reference number 37 are indicated.

Contents

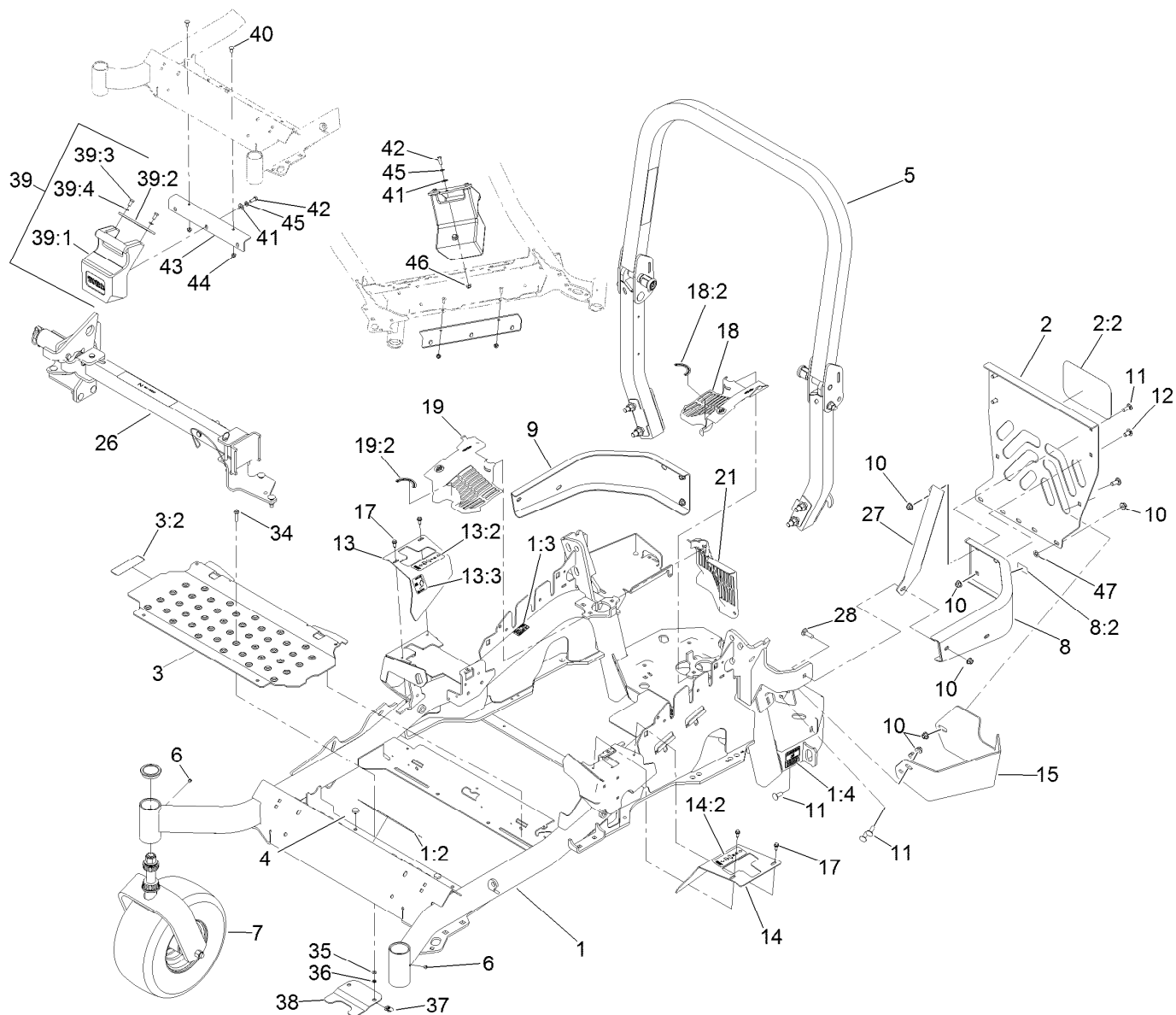
Frame, Caster and Z Stand Assembly	4
Roll-Over Protection System Assembly No. 116-0232.....	6
Caster Wheel and Fork Assembly	7
Z Stand Assembly	8
Hydraulic Pump, Idler and Belt Assembly.....	9
Pump Idler Assembly No. 116-1255	10
LH Hydro Assembly No. 116-6411	11
RH Hydro Assembly No. 116-6412	12
Rear Wheel and Park Brake Assembly.....	13
Parking Brake Handle Assembly No. 116-6861	14
Fuel Tank Mounting Assembly	15
Fuel Tank Assembly No. 116-3979	16
Seat Mounting Assembly	17
Seat Assembly No. 116-0035.....	18
Motion Control Assembly	19
Fender, Console and Control Assembly	20
LH Console Assembly No. 115-7403	21
RH Console Assembly No. 115-7402	22
Electrical Assembly	23
Deck Lift Assembly.....	24
Height-of-Cut Assembly No. 117-3842.....	26
Engine, Muffler and Clutch Assembly	27
Deck Assembly	28
Deck Decal Assembly No. 119-6656.....	30
Idler Assembly	31
Spindle Assembly No. 119-8560	32
Rubber Deflector Assembly No. 108-2792.....	33
Lever Assembly No. 107-1664.....	34
Attachments and Accessories	35



Frame, Caster and Z Stand Assembly

Ref.	Part Number	Qty.	Description	Ref.	Part Number	Qty.	Description
1	116-6368	1	Main Frame ASM	11	3231-22	7	Screw-CARR
1:2	117-3888	1	Decal-Danger Slope W/ROPS	12	3231-21	3	Screw-CARR
1:3	106-5517	2	Decal-Warning	13	116-5898	1	RH Motion Control Cover ASM
1:4	106-2655	2	Decal-Hazard, Pinched Finger	13:2	99-8936	1	Decal-Control, Motion
2	115-7410	1	Rear Guard ASM	13:3	116-5988	1	Decal-Park Brake, CE
2:2	67-7320	1	Decal	14	117-3831	1	LH Motion Control Cover ASM
3	117-0915	1	Floorpan ASM	14:2	99-8936	1	Decal-Control, Motion
3:2	112-9028	1	Decal-Cover, Missing	15	117-0908-03	1	Guard-Muffler
4	1-513658	2	Bumper	17	32144-10	4	Screw-HWH
5	116-0232	1	ROPS ASM	18	117-3838	1	LH Hydro Guard ASM
6	1-811010	2	Plug	18:2	117-3811	1	Decal-Hydro Oil
7		2	Front Caster ASM ●	19	117-3839	1	RH Hydro Guard ASM
8	117-3829	1	LH Rear Bumper ASM	19:2	117-3811	1	Decal-Hydro Oil
8:2	106-5517	1	Decal-Warning	21	109-9058	1	Guard-Hydro, Rear (RH)
9	116-0057-03	1	Bumper-RH	26		1	Z Stand ASM ●
10	104-8301	11	Nut-HF, NI	27	117-0903-03	1	Strap

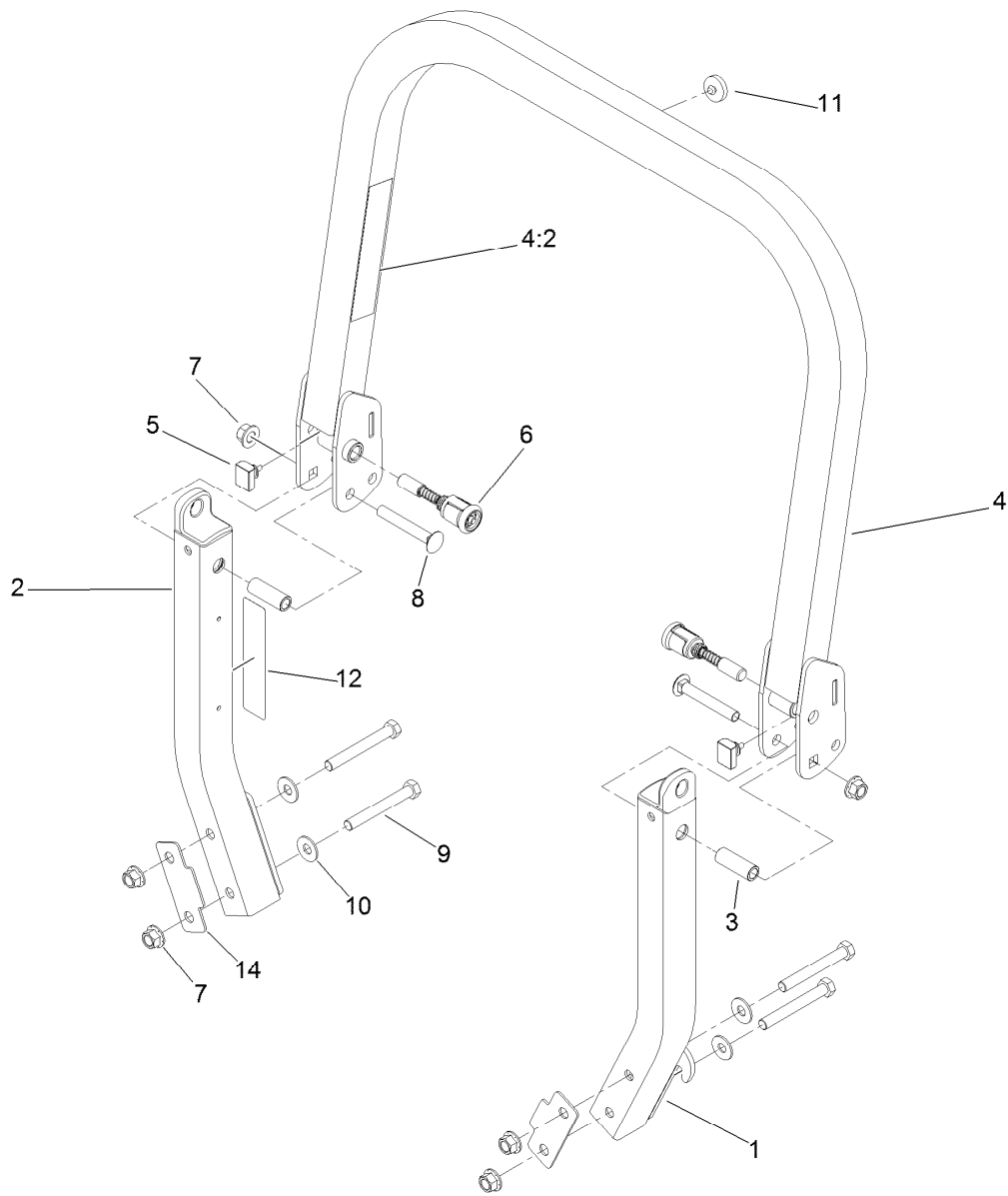
● Not serviced separately



Frame, Caster and Z Stand Assembly (continued)

Ref.	Part Number	Qty.	Description	Ref.	Part Number	Qty.	Description
28	3231-25	1	Bolt-CARR	39:4	3253-5	2	Washer-Lock
34	3234-21	2	Screw-HHF	40	3230-23	2	Screw-CARR
35	3256-60	2	Washer-Flat	41	3256-4	2	Washer-Flat
36	106-8737	2	Nut-Retainer	42	323-6	2	Screw-HH
37	107069	2	Clip	43	115-3615-01	1	Bracket-Mount, Weight
38	119-0395-03	1	Adapter-Captive	44	104-8300	2	Nut-HF, NI
39		1	Weight ASM ●	45	3253-5	2	Washer-Lock
39:1	120-7881	1	Weight-43 Lb	46	104-8301	1	Nut-HF, NI
39:2	115-3616-01	1	Tab-Support, Weight	47	107-3154	2	Nut-Push
39:3	323-4	2	Screw-HH				

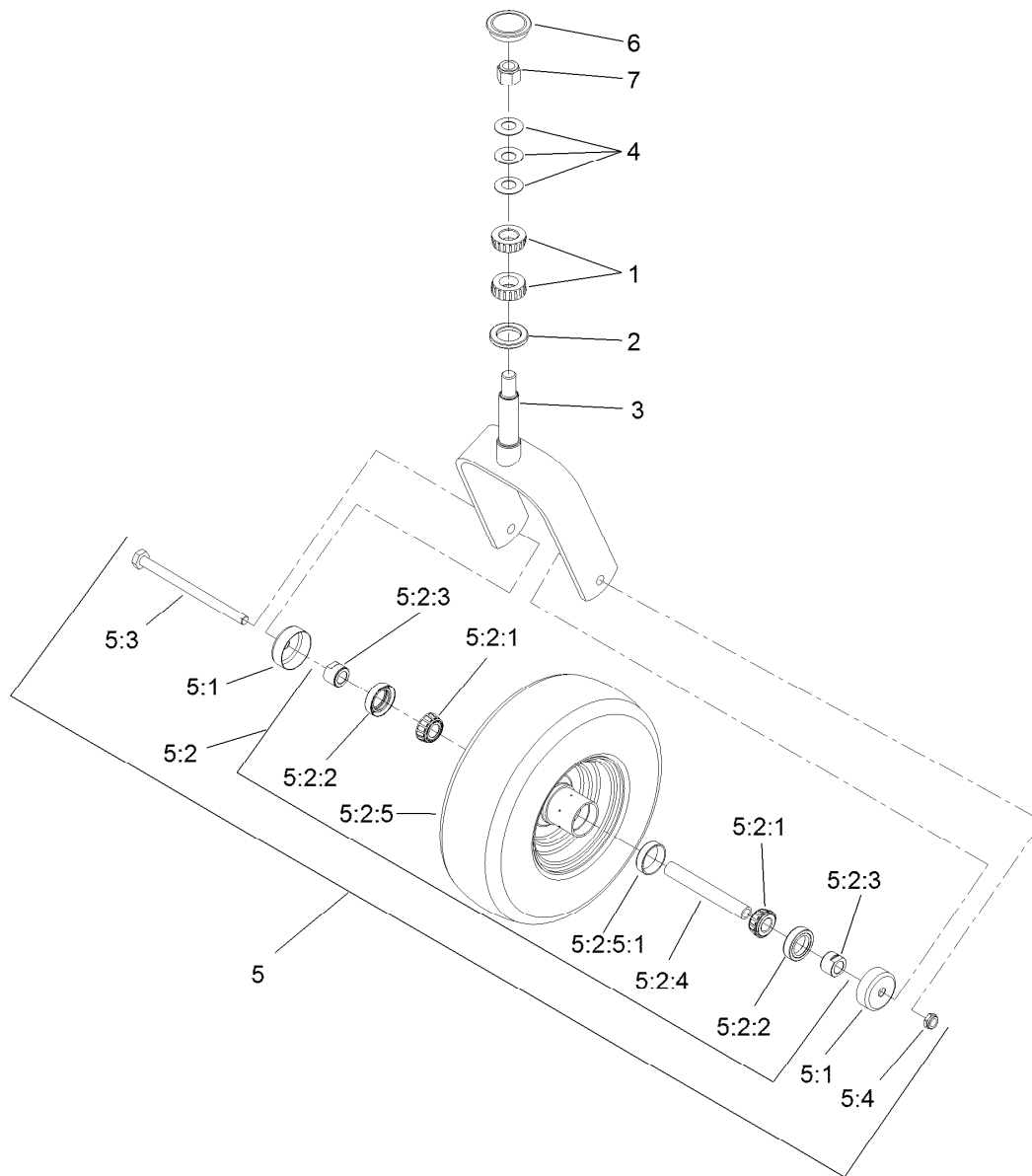
● Not serviced separately



Roll-Over Protection System Assembly No. 116-0232

Ref.	Part Number	Qty.	Description
1		1	Leg-ROPS, LH ●
2		1	Leg-ROPS, RH ●
3	109-6653	2	Spacer
4		1	Upper ROPS ASM ●
4:2	107-3069	1	Decal-Warning
5	109-5337	2	Bumper-ROPS
6	116-0104	2	Pin-Spring
7	99-5107	6	Nut-Lock
8	3233-10	2	Screw-CARR
9	325-17	4	Screw-HH
10	109-9505	4	Washer-Spring
11	109-9233	1	Bumper-Push-In, Rubber
12	117-0346	1	Decal-Caution, Fuel Vent
14	116-0960	2	Spacer

● Not serviced separately

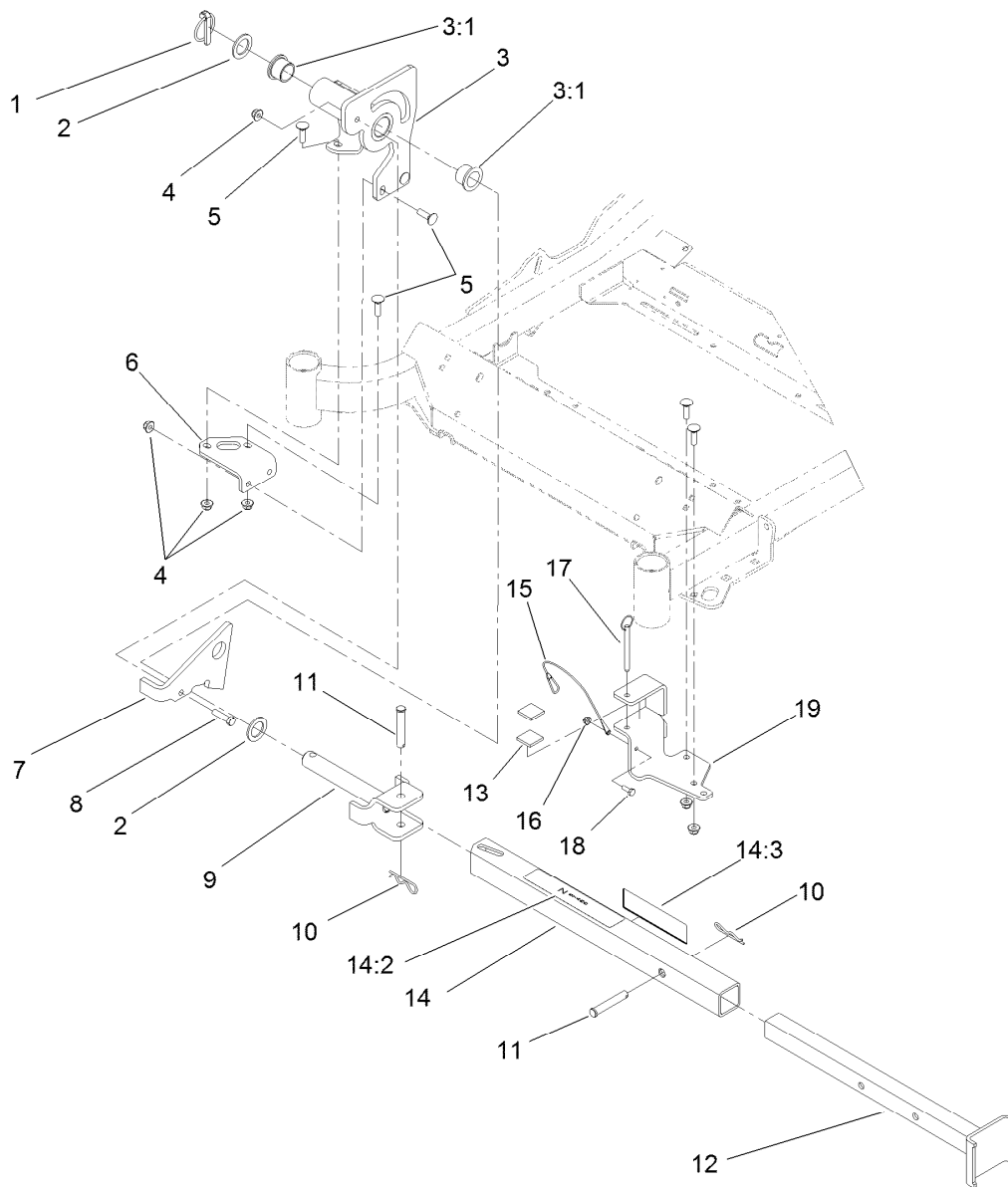


Caster Wheel and Fork Assembly

Ref.	Part Number	Qty.	Description	Ref.	Part Number	Qty.	Description
1	1-543509	2	Bearing-Roller, Tapered	5:2:3	103-3051	2	Spacer-Nut ■
2	1-543511	1	Seal-Grease	5:2:4	103-3155	1	Axle-Caster
3	109-9422-01	1	Fork-Caster	5:2:5		1	Wheel And Tire ASM ●
4	1-633508	3	Washer-Bellville	5:2:5:1	1-633584	1	Bearing-Cup
5	109-9126	1	Wheel & Tire ASM	5:3	325-42	1	Screw-HH
5:1	103-2768	2	Guard-Seal	5:4	3296-23	1	Nut-Lock, NI
5:2		1	Wheel And Tire ASM ●	6	103-4882	1	Cap-Grease
5:2:1	1-633585	2	Bearing-Cone, Taper	7	3296-51	1	Nut-Lock, NI
5:2:2	103-0063	2	Seal-Caster				

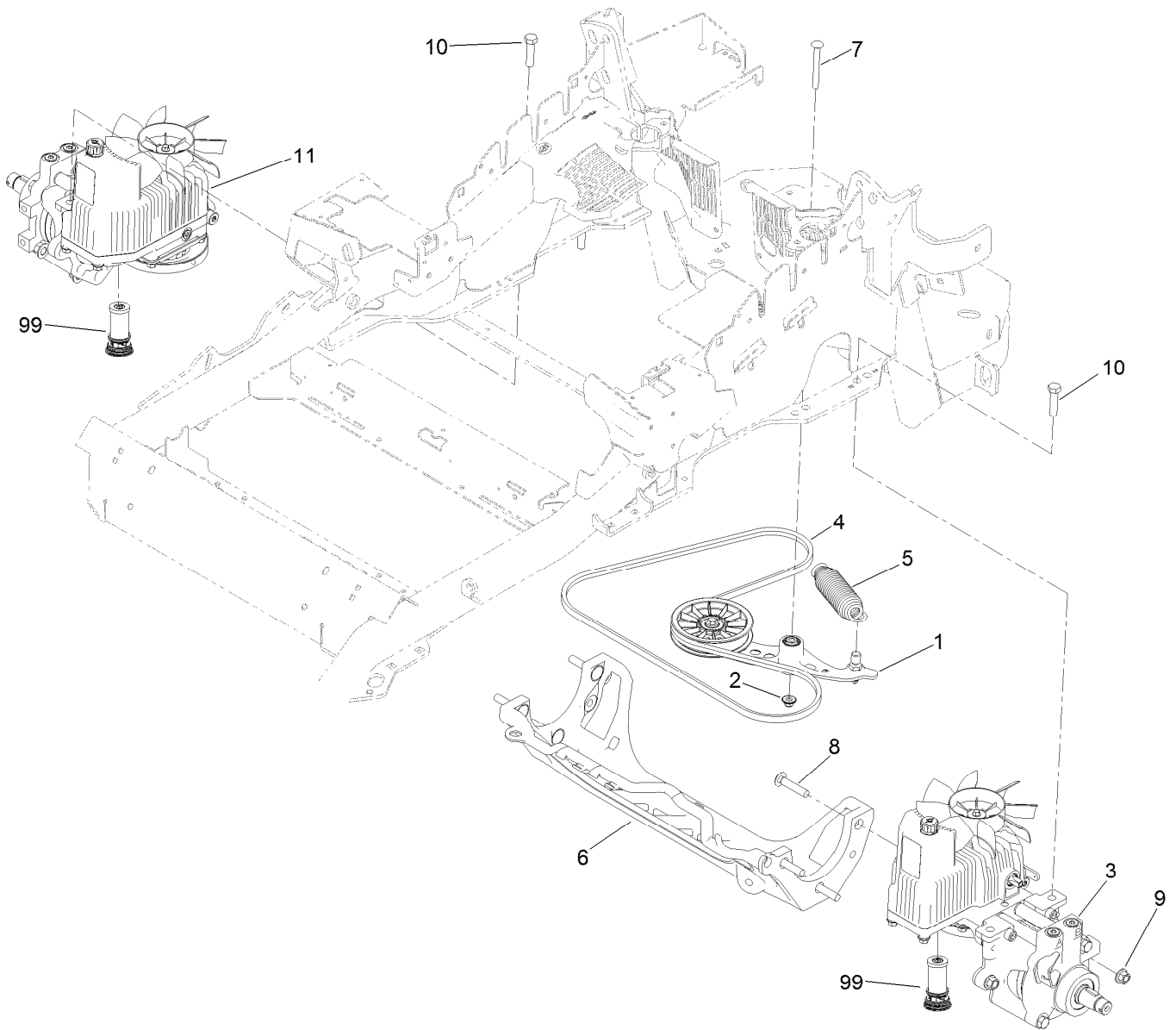
● Not serviced separately

■ Use Pro-Lock, Nut Type (P/N 1-840022, .5ml tube) on threads.



Z Stand Assembly

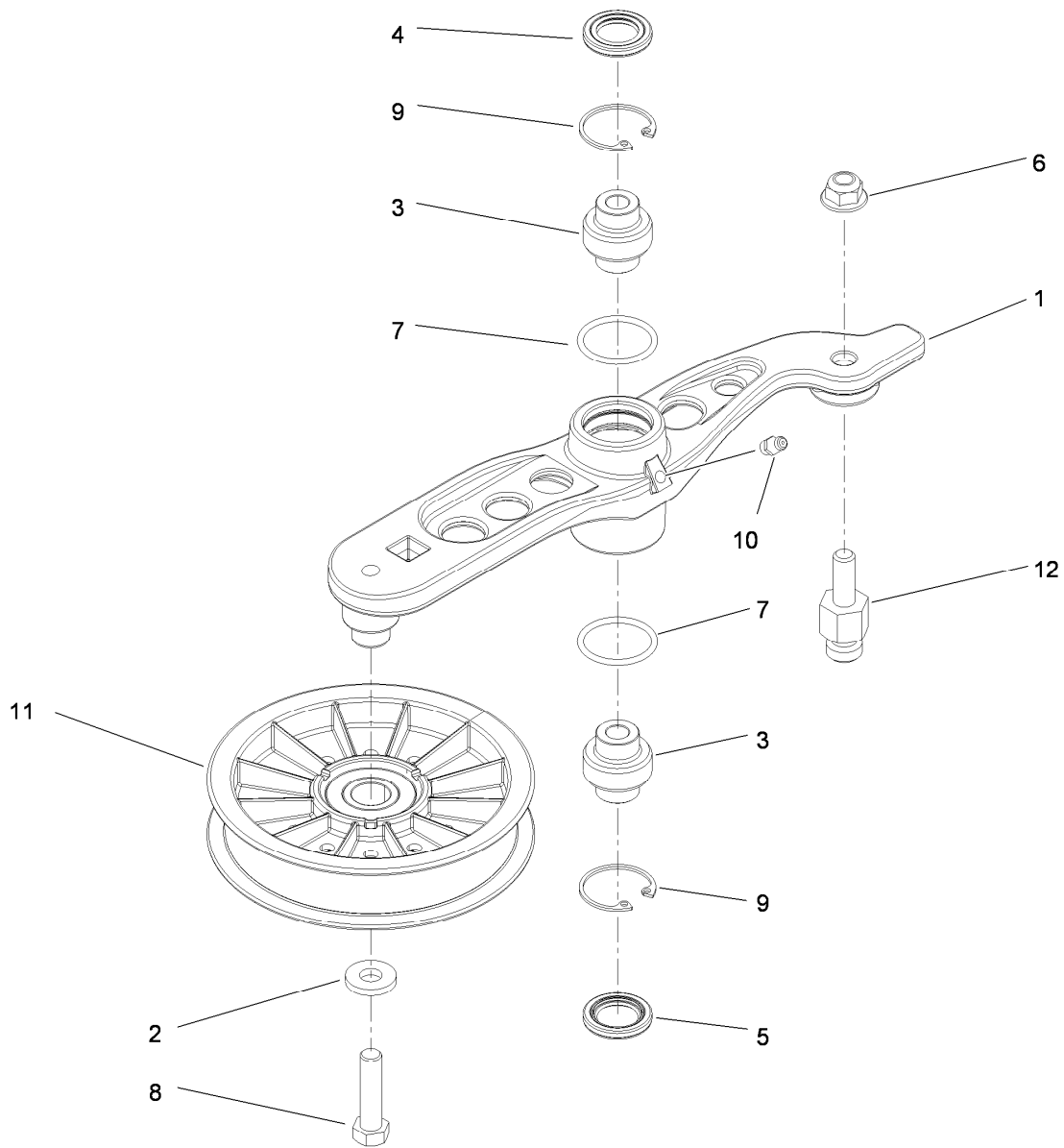
<i>Ref.</i>	<i>Part Number</i>	<i>Qty.</i>	<i>Description</i>	<i>Ref.</i>	<i>Part Number</i>	<i>Qty.</i>	<i>Description</i>
1	283-71	1	Pin-Lynch	11	283-55	2	Pin-Clevis
2	3-6781	2	Washer-Thrust	12	115-3631-01	1	Tube-Inner
3	115-3635	1	Z Stand Pivot ASM	13	115-3613	2	Cushion-Rubber
3:1	94-1291	2	Bushing	14	115-3634	1	Outer Tube ASM
4	104-8301	8	Nut-HF, NI	14:2	106-7464	1	Decal-Z Stand
5	3231-25	7	Bolt-CARR	14:3	107-3969	1	Decal-Warning
6	115-3619-01	1	Bracket-Mount, Pivot	15	100-9385	1	Lanyard-Nylon
7	100-9686-01	1	Bracket-Latch	16	104-7201	1	Nut-HF
8	323-8	1	Screw-HH	17	105-1647	1	Pin-Hitch, Cotterless
9	100-9692-01	1	Pin-Pivot	18	321-4	1	Screw-HH
10	3290-355	2	Pin-Hair	19	115-3625-01	1	Cradle-Z Stand



Hydraulic Pump, Idler and Belt Assembly

Ref.	Part Number	Qty.	Description
1	116-1255	1	Pump Idler ASM
2	109-6658	1	Nut-Flange, NI
3	116-6411	1	LH Hydro ASM (12Cc W/Check)
4	109-3388	1	Belt
5	116-0133	1	Extension-Spring
6	109-9375	1	Cradle-Hydro
7	116-1502	1	Bolt-Shoulder, Carriage
8	3233-34	6	Screw-CARR
9	99-5107	6	Nut-Lock
10	325-8	4	Screw-HH
11	116-6412	1	RH Hydro ASM (12Cc W/Check)
99	114-4713	1	Hypr-Oil 500 (Quart) ●
99	114-4714	1	Hypr-Oil 500 (Gallon) ●
99	114-4715	1	Hypr-Oil 500-5 (5 Gallon) ●
99	117-0390	1	Filter-Hydro

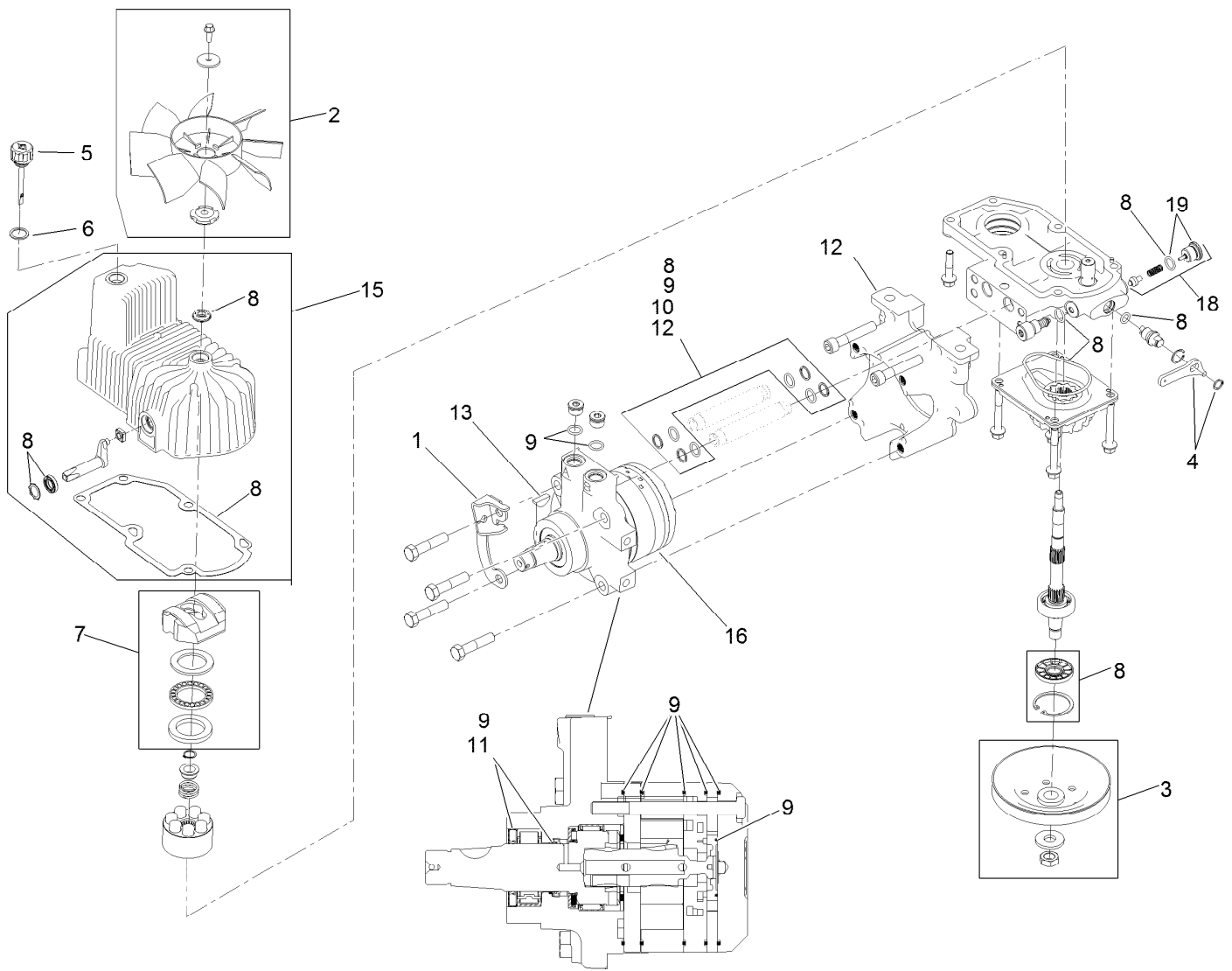
● Not illustrated



Pump Idler Assembly No. 116-1255

Ref.	Part Number	Qty.	Description
1		1	Arm-Pump, Idler ●
2	43-0940	1	Spacer
3	103-3504	2	Bearing-Spherical
4	103-3505	1	Seal-Lip, Double
5	103-3506	1	Seal-Lip, Single
6	109-6658	1	Nut-Flange, NI
7	106-7159	2	O-Ring
8	323-8	1	Screw-HH
9	32120-10	2	Ring-Snap
10	302-19	1	Fitting-Grease
11	109-8076	1	Pulley-Idler
12	116-3467	1	Pin-Spring, Anchor

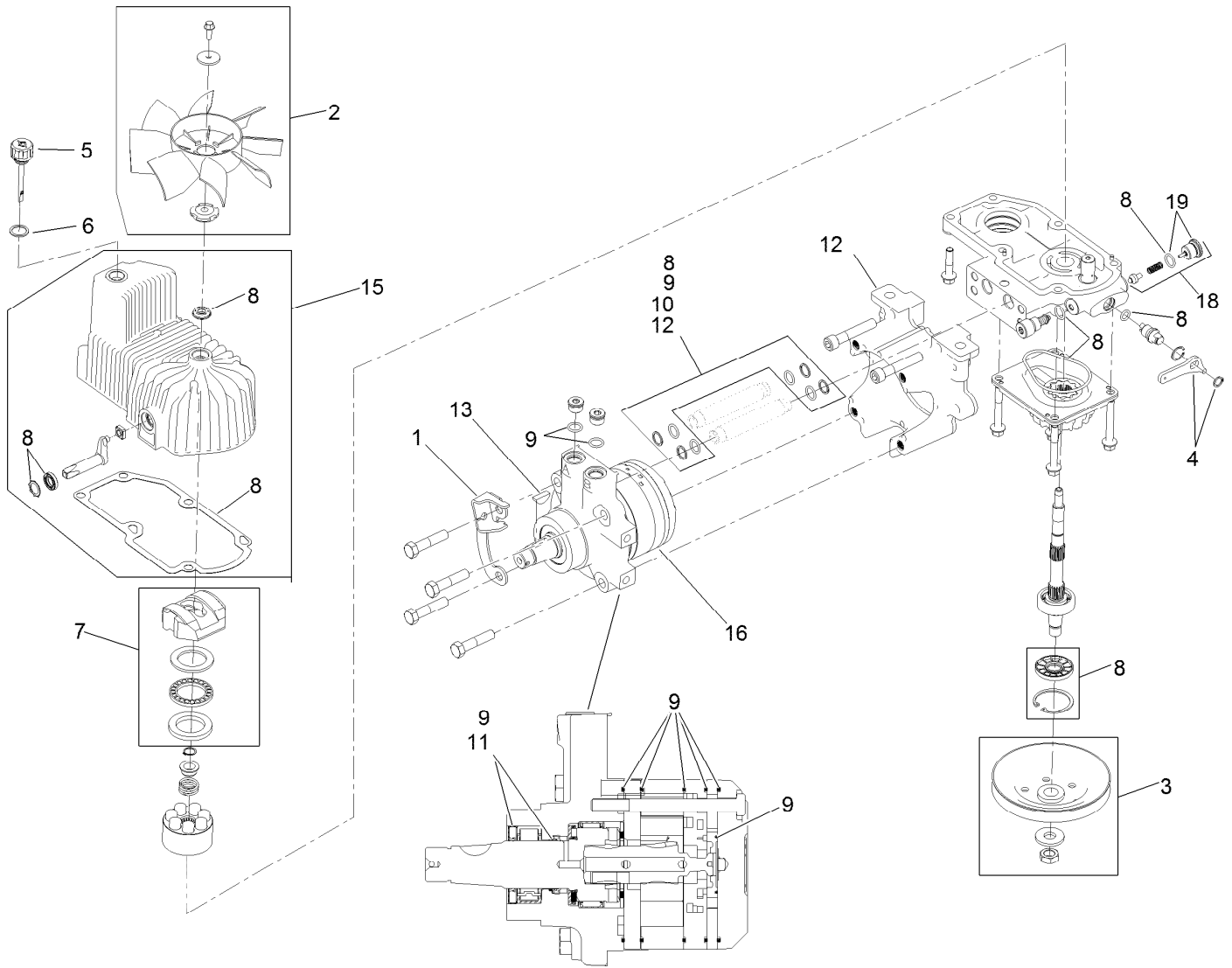
● Not serviced separately



LH Hydro Assembly No. 116-6411

<i>Ref.</i>	<i>Part Number</i>	<i>Qty.</i>	<i>Description</i>	<i>Ref.</i>	<i>Part Number</i>	<i>Qty.</i>	<i>Description</i>
1	116-6859	1	Bracket-Anchor, Cable	11	116-1371	1	Output Shaft Seal Kit
2	116-0233	1	Fan Kit	12	116-5469	1	Cup-Nose
3	116-0234	1	Pulley Kit	13	3257-42	1	Key-Woodruff
4	116-0235	1	Handle	15	116-3287	1	Housing-Hydro, LH
5	116-0236	1	Dipstick	16	116-2985	1	HYD Motor, 240Cc LH Unsealed
6	116-0237	1	Gasket	18	116-1630	1	Check Valve ASM
7	116-1367	1	Swash Block Kit	19	116-1631	1	Plug-Check (W/O-Ring)
8	116-1368	1	Pump Seal Kit	99	116-1373	1	Flow Test Kit ●
9	116-1369	1	Motor Seal Kit				
10	116-1370	1	Tube Seal Kit				

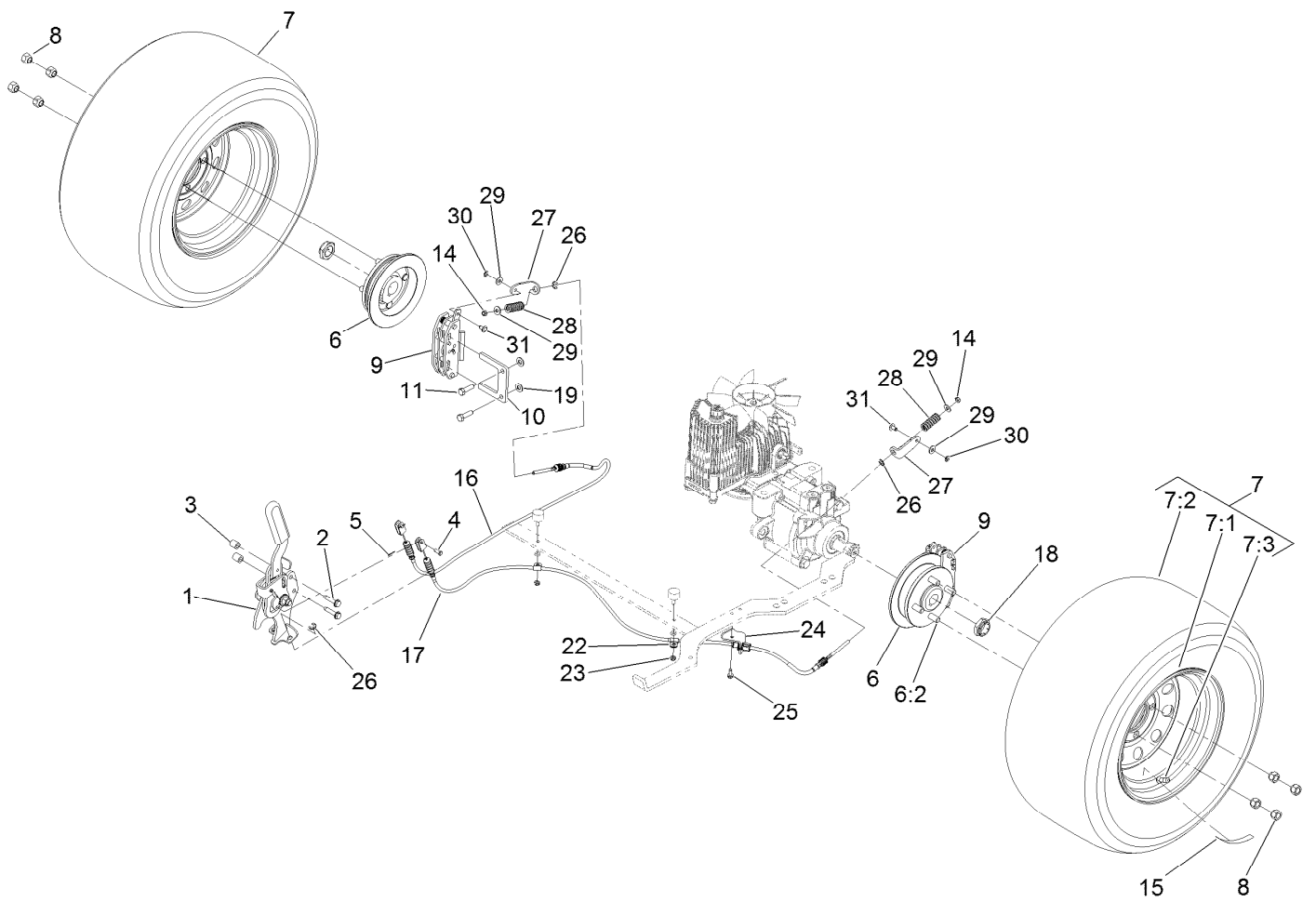
● Not illustrated



RH Hydro Assembly No. 116-6412

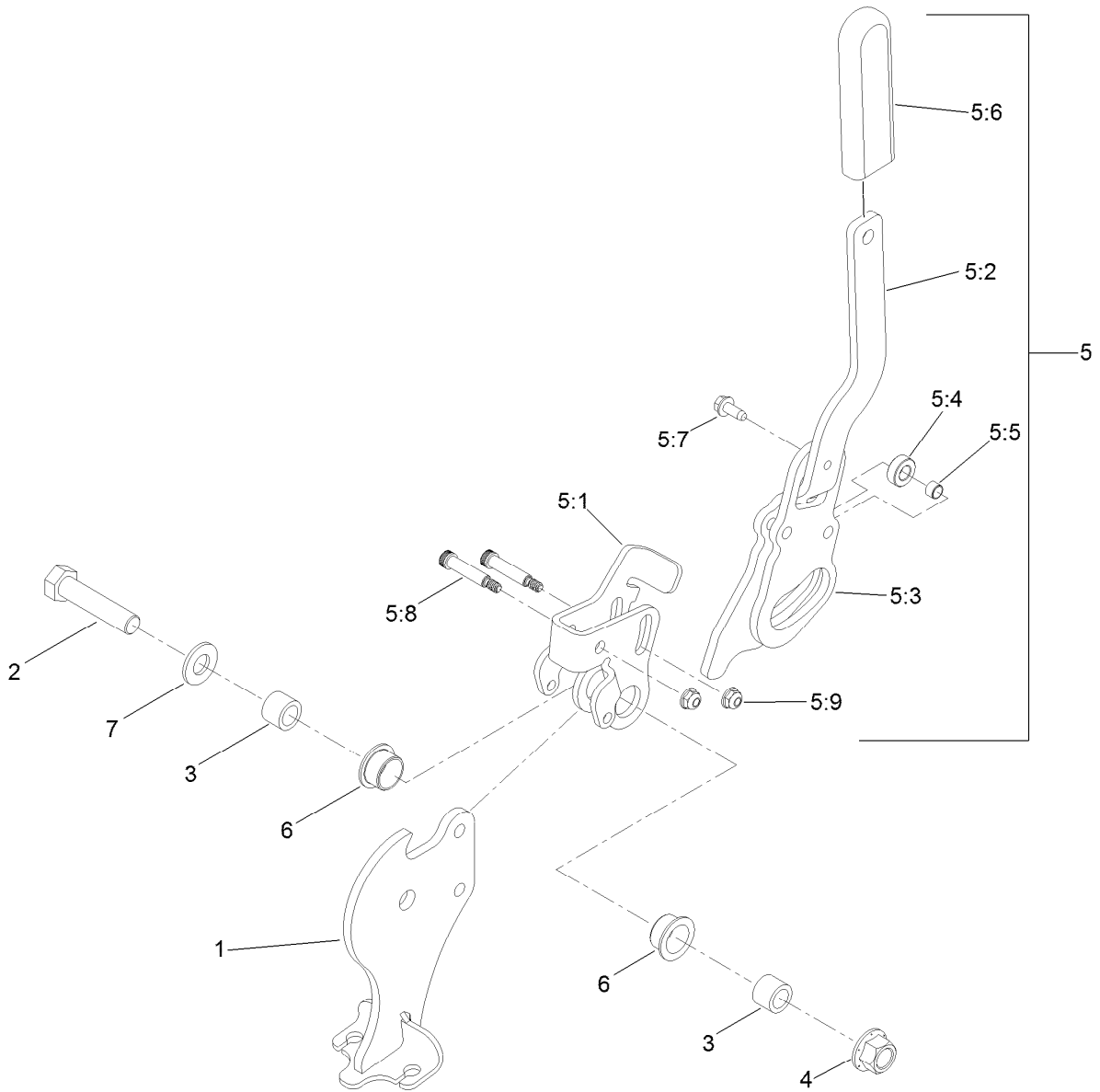
Ref.	Part Number	Qty.	Description	Ref.	Part Number	Qty.	Description
1	116-6859	1	Bracket-Anchor, Cable	11	116-1371	1	Output Shaft Seal Kit
2	116-0233	1	Fan Kit	12	116-5469	1	Cup-Nose
3	116-0234	1	Pulley Kit	13	3257-42	1	Key-Woodruff
4	116-0235	1	Handle	15	116-3288	1	Housing-Hydro, RH
5	116-0236	1	Dipstick	16	116-2984	1	Motor-HYD, 240Cc RH, Unsealed
6	116-0237	1	Gasket	18	116-1630	1	Check Valve ASM
7	116-1367	1	Swash Block Kit	19	116-1631	1	Plug-Check (W/O-Ring)
8	116-1368	1	Pump Seal Kit	99	116-1373	1	Flow Test Kit ●
9	116-1369	1	Motor Seal Kit				
10	116-1370	1	Tube Seal Kit				

● Not illustrated



Rear Wheel and Park Brake Assembly

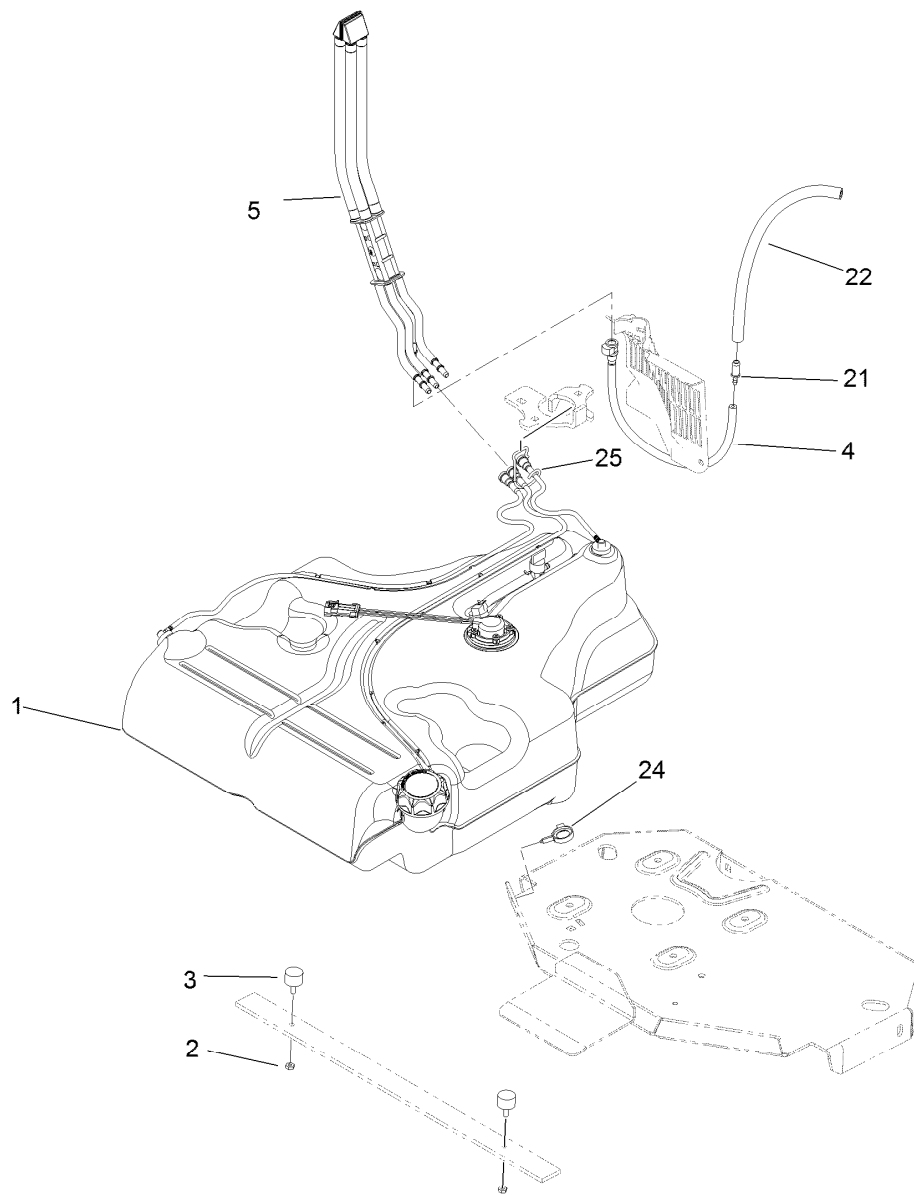
Ref.	Part Number	Qty.	Description	Ref.	Part Number	Qty.	Description
1	116-6861	1	Brake Handle ASM	15	117-3863	2	Decal-Wheel Hub, CE
2	32144-57	2	Screw	16	116-6364	1	Cable-Park Brake, RH
3	82-6840	2	Spacer	17	116-6365	1	Cable-Park Brake, LH
4	60-1730	2	Pin-Clevis	18	116-1399	2	Locknut
5	3272-1	2	Pin-Cotter	19	3256-24	4	Washer-Flat
6	116-1746	2	Wheel Hub ASM	22	88-7970	2	Clip
6:2	116-1696	4	Stud-Wheel	23	3296-56	2	Nut-Lock, NI
7	109-3050	2	Wheel And Tire ASM	24	116-6397	1	Bracket-Cable
7:1	109-3645	1	Rim ASM	25	32144-10	1	Screw-HWH
7:2	103-2771	1	Tire	26	32120-18	4	E-Ring
7:3	232-27	1	Stem-Valve	27	116-6182	2	Bracket-Brake, L
8	242-50	8	Nut-Lug	28	116-6347	2	Spring-Die
9	109-2889	2	Caliper-Brake	29	3256-22	4	Washer-Flat
10	109-0958	2	Plate-Mount, Brake	30	32151-86	2	E-Ring
11	92-5727	4	Screw-Lock, Patch	31	116-6348	2	Pin-Brake
14	3296-13	2	Nut-Lock, NI				



Parking Brake Handle Assembly No. 116-6861

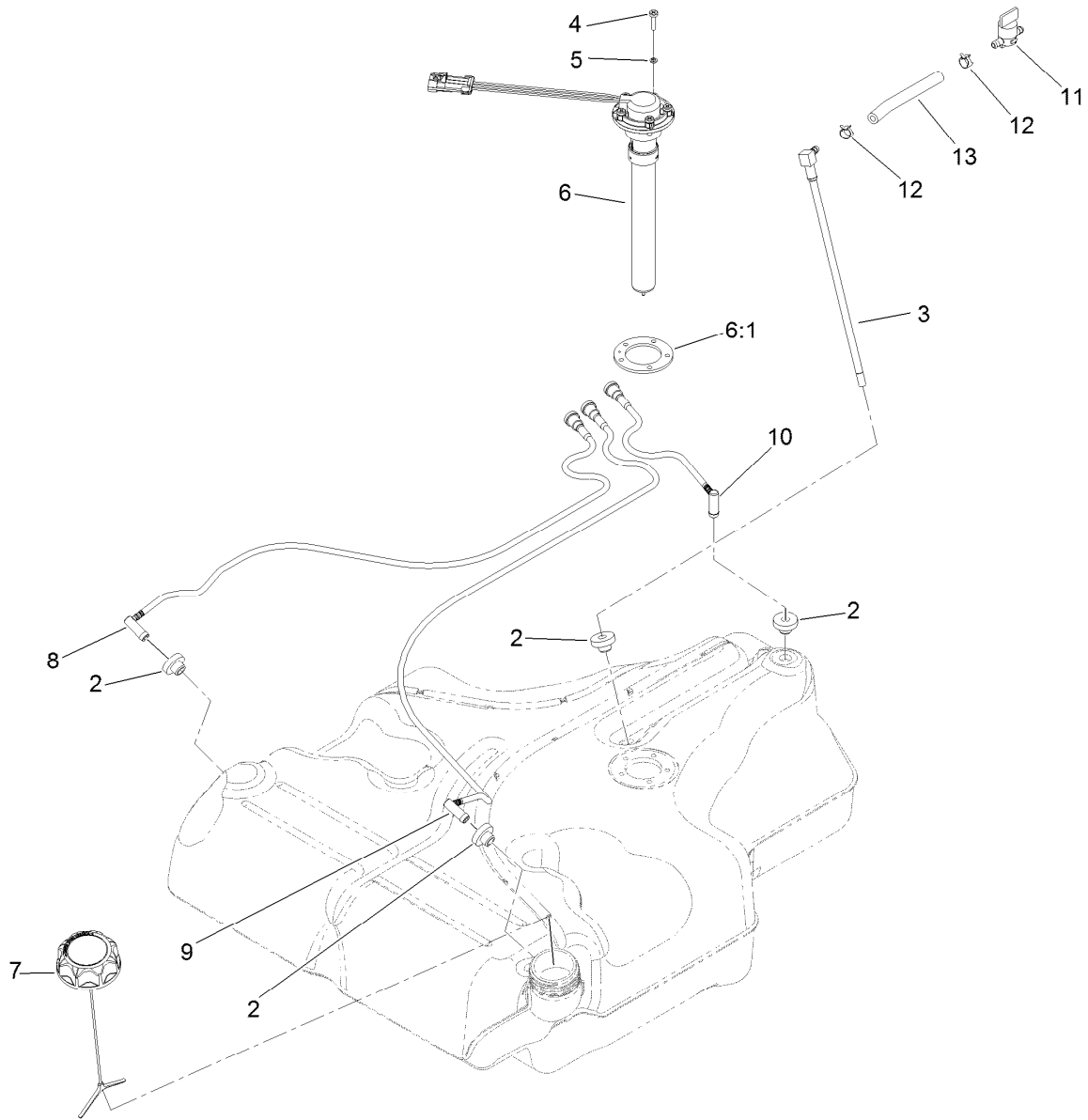
<i>Ref.</i>	<i>Part Number</i>	<i>Qty.</i>	<i>Description</i>
1	116-6855	1	Brake Pivot ASM
2	325-9	1	Screw-HH
3	116-5384	2	Spacer
4	99-5107	1	Nut-Lock
5	116-6860	1	Handle ASM
5:1	116-6856	1	Bellcrank-Brake
5:2	116-6857	1	Handle-Brake
5:3	116-6858	1	Plate-Handle

<i>Ref.</i>	<i>Part Number</i>	<i>Qty.</i>	<i>Description</i>
5:4	116-6846	1	Roller-Brake
5:5	116-6852	1	Bearing-Sleeve
5:6	1-633268	1	Grip-Lever
5:7	32144-10	1	Screw-HWH
5:8	116-6876	2	Screw-Shoulder
5:9	104-7201	2	Nut-HF
6	109-8054	2	Bushing-Flange
7	3256-26	1	Washer-Flat



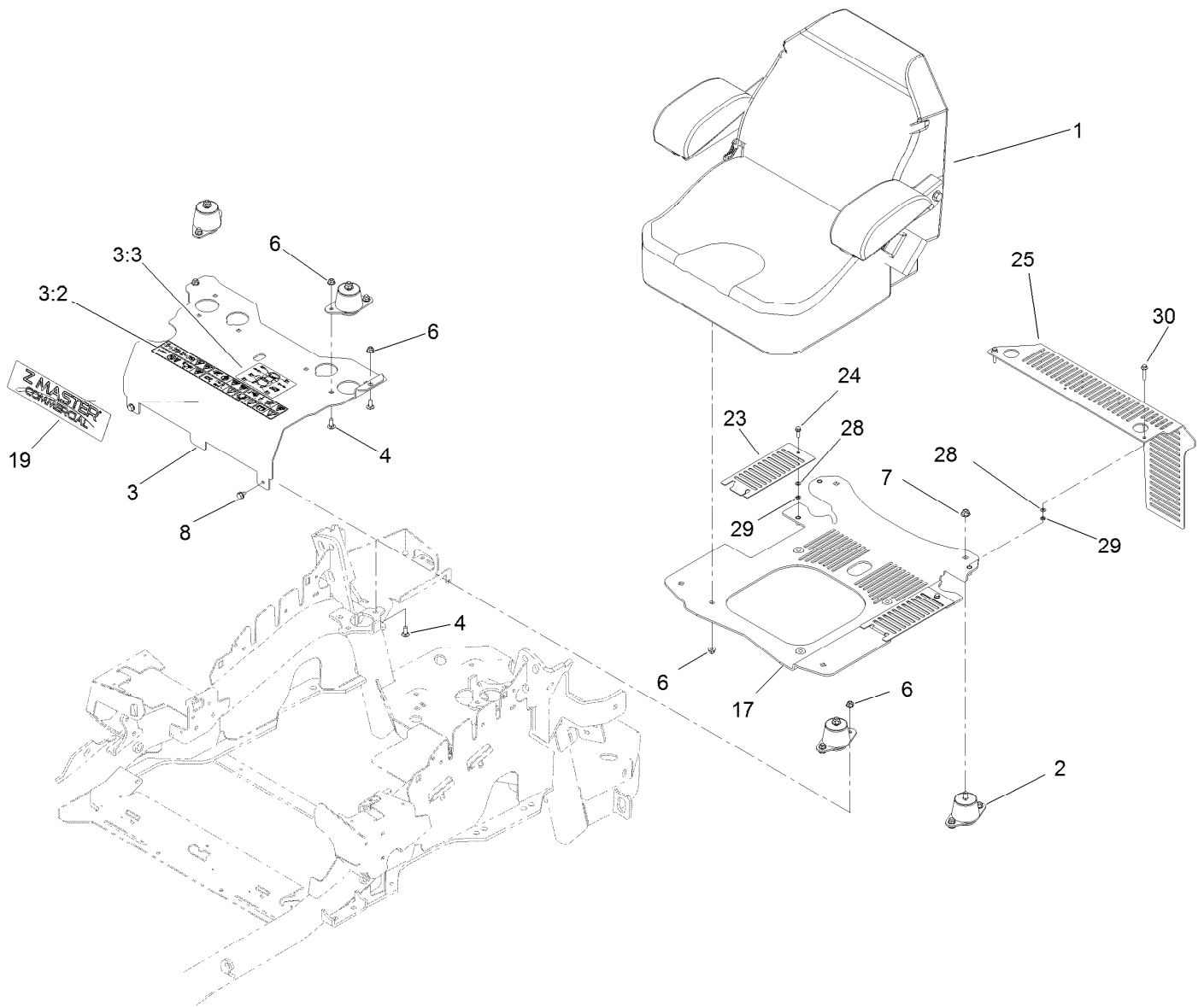
Fuel Tank Mounting Assembly

Ref.	Part Number	Qty.	Description
1	116-3979	1	Fuel Tank ASM
2	3218-1	2	Nut-Jam
3	116-6380	2	Bumper-Rubber (W/ Stud)
4	116-3977	1	Hose ASM
5	109-9491	1	Fuel Manifold Vent ASM
21	98-2952	1	Fitting-Straight
22	116-5087	1	Hose-Fuel
24	105-1853	1	Clamp-Hose
25	116-6005	1	Retainer-Line, Vapor



Fuel Tank Assembly No. 116-3979

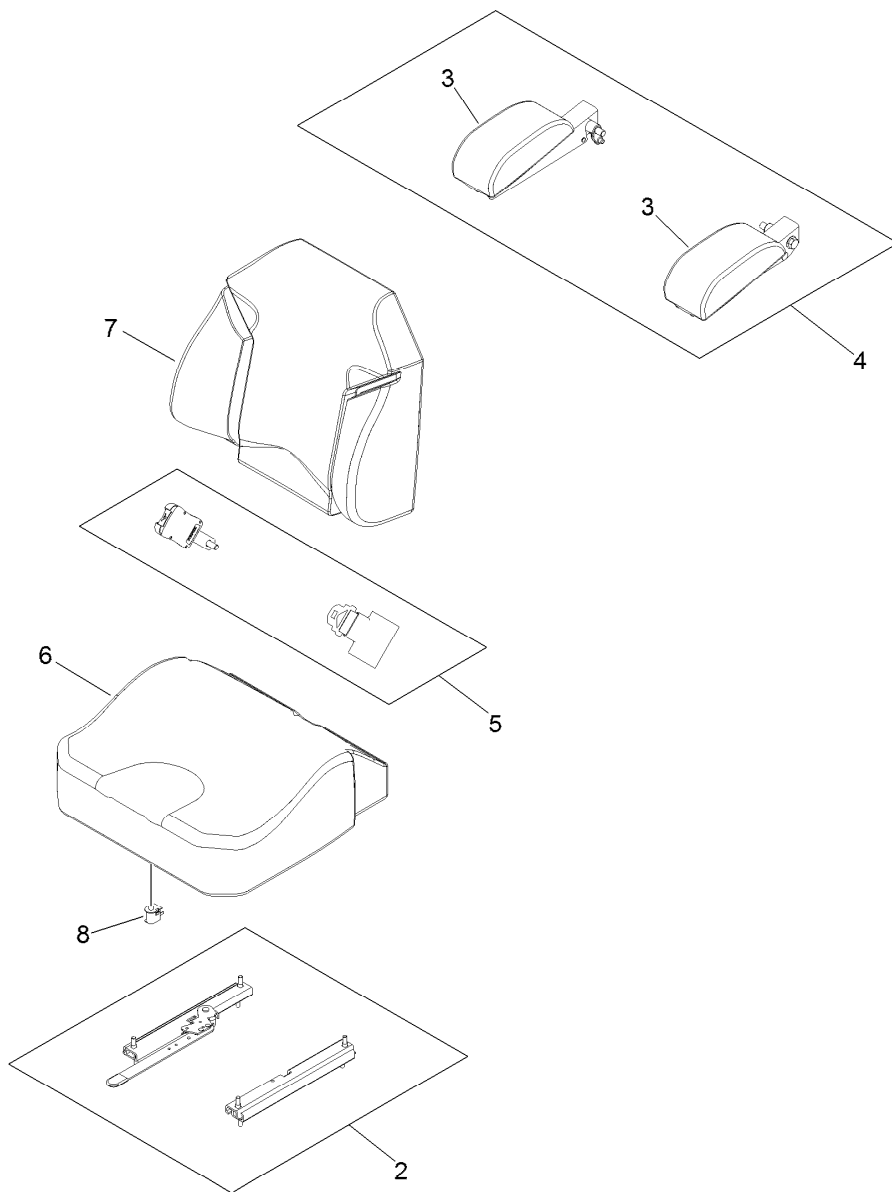
Ref.	Part Number	Qty.	Description
2	46-6560	4	Bushing
3	116-2459	1	Fuel Line Kit (With Grommet)
4	9107944	5	Screw-Pan
5	3253-17	5	Washer-Lock
6	116-0003	1	Sender-Level, Fuel
6:1	109-9620	1	Gasket-Sender, Fuel
7	116-1704	1	Cap-Fuel, Ratcheting
8	116-2460	1	RH Vent Line Kit (With Grommet)
9	116-2461	1	LH Vent Line Kit (With Grommet)
10	116-2462	1	Rear Vent Line Kit (With Grommet)
11	1-603770	1	Valve-Fuel
12	2412-98	2	Clamp-Hose
13	109-0650	1	Hose-Fuel



Seat Mounting Assembly

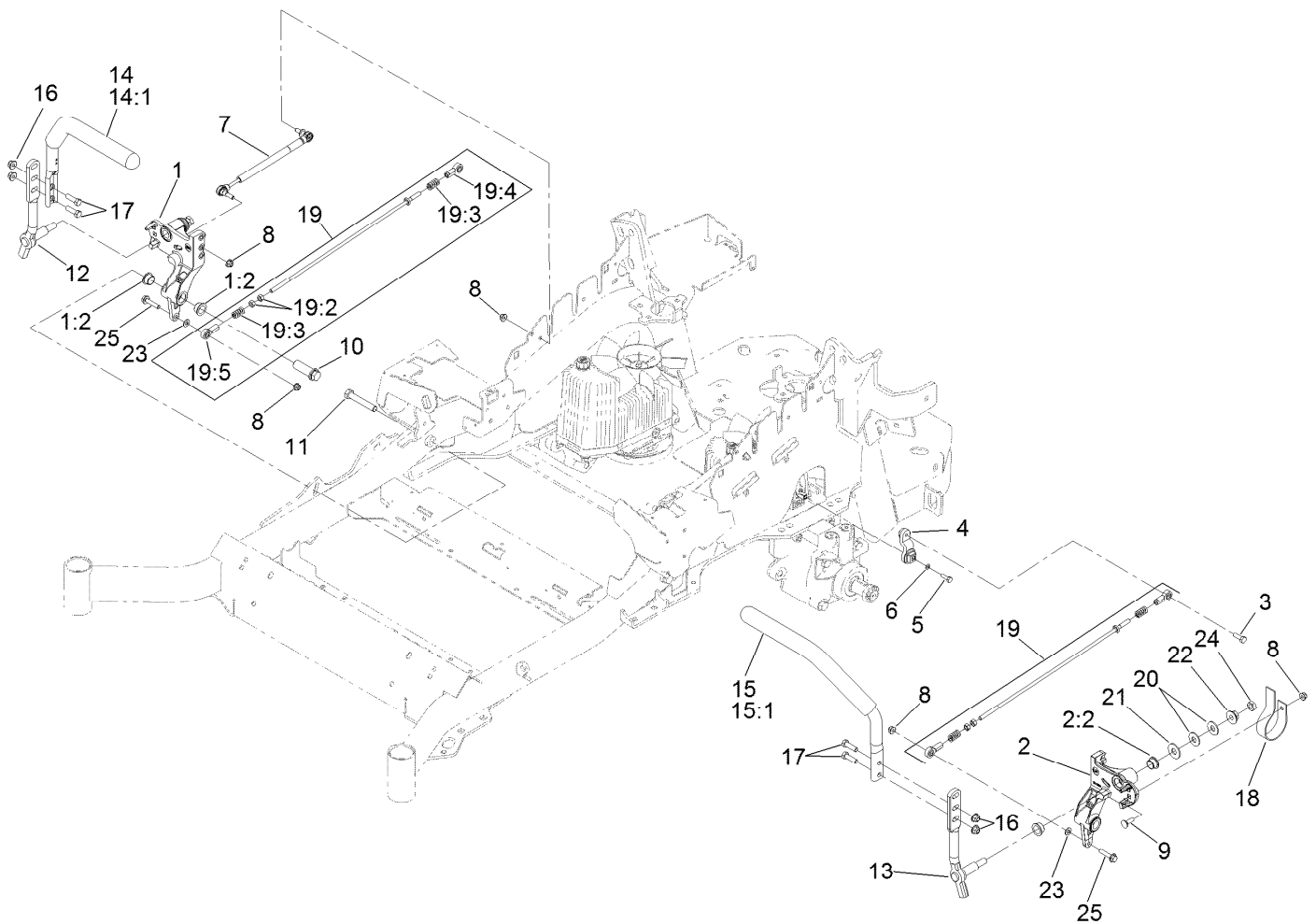
<i>Ref.</i>	<i>Part Number</i>	<i>Qty.</i>	<i>Description</i>
1	116-0035	1	Seat-Standard
2	109-9034	4	Isolator-Seat
3	116-2324	1	Mount-Seat
3:2	114-4468	1	Decal-Console
3:3	114-4465	1	Decal-Service Aid
4	3230-23	10	Screw-CARR
6	104-8300	18	Nut-HF, NI
7	104-8301	4	Nut-HF, NI
8	9266934	2	Screw

<i>Ref.</i>	<i>Part Number</i>	<i>Qty.</i>	<i>Description</i>
17	117-0910	1	Seat Base ASM
19	120-5893	1	Decal
23	117-0901-03	2	Cover
24	32105-15	2	Screw-HWH
25	119-4241-03	1	Guard-CE
28	3256-60	4	Washer-Flat
29	106-8737	4	Nut-Retainer
30	3234-21	2	Screw-HHF



Seat Assembly No. 116-0035

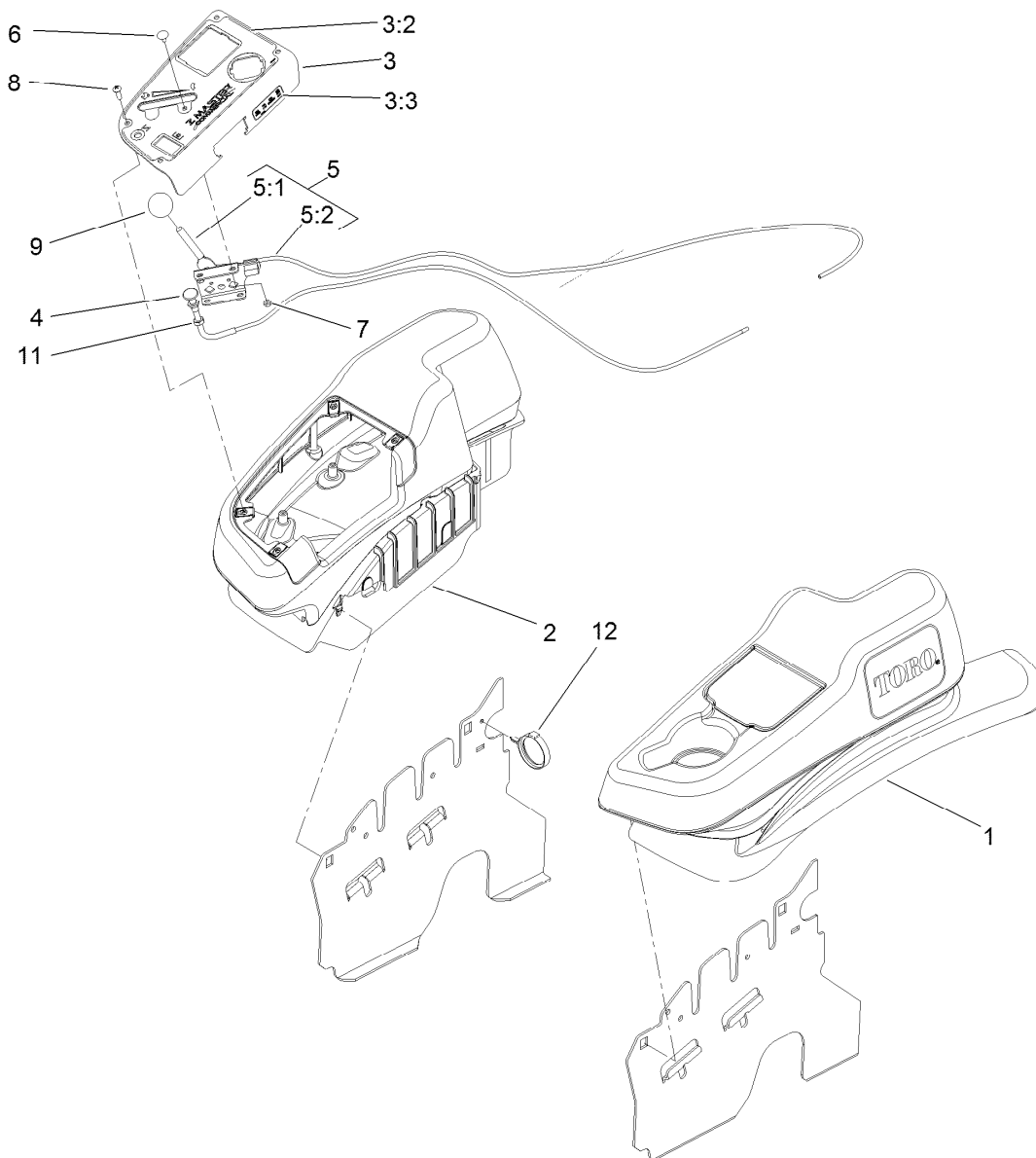
<i>Ref.</i>	<i>Part Number</i>	<i>Qty.</i>	<i>Description</i>
2	109-9801	1	Seat Track Set
3	109-9802	1	Arm Rest Pad Set
4	109-9803	1	Arm Rest Set
5	109-9805	1	Seat Belt Kit
6	109-9806	1	Cover-Cushion
7	109-9808	1	Cover-Back
8	82-2190	1	Switch-Bail



Motion Control Assembly

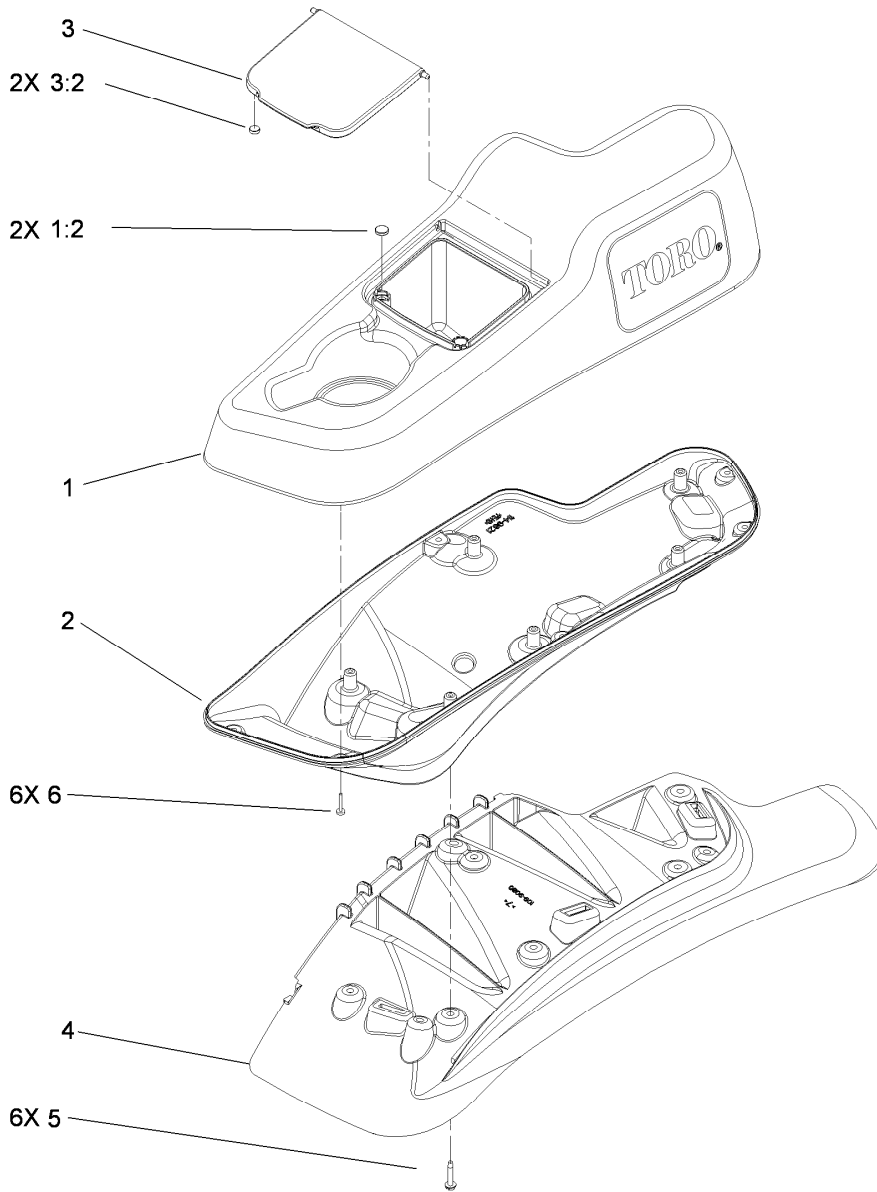
Ref.	Part Number	Qty.	Description	Ref.	Part Number	Qty.	Description
1	116-0880	1	RH Motion Control And Bushing ASM	14	109-6591	1	RH Steering Handle ASM
1:2	109-8054	4	Bushing-Flange	14:1	106-9987	1	Grip-Control, Motion
2	116-0881	1	LH Motion Control And Bushing ASM	15	109-6592	1	LH Steering Handle ASM
2:2	109-8054	4	Bushing-Flange	15:1	106-9987	1	Grip-Control, Motion
3	116-0648	2	Screw-HH, Thread Locking ●	16	104-8301	4	Nut-HF, NI
4	109-4581	2	Arm-Control, Pump	17	323-7	4	Screw-HH
5	9080046	2	Screw-HH ●	18	109-5575	2	Spring-Leaf
6	1-303435	2	Washer-Spring	19	109-8107	2	Pump Linkage Rear ASM
7	116-0027	2	Damper-Control, Motion	19:2	3219-2	2	Nut-Hex
8	104-8300	8	Nut-HF, NI	19:3	1-323245	2	Spring-Compression
9	3230-2	2	Bolt-CARR	19:4	1-633152	1	Balljoint-LH
10	109-5891	2	Hub-Threaded	19:5	1-543017	1	Balljoint-RH
11	325-12	2	Screw-HH	20	109-9505	4	Washer-Spring
12	116-0039	1	Lever-Control Motion, RH	21	3256-6	2	Washer-Flat
13	116-0040	1	Lever-Control Motion, LH	22	32128-56	2	Nut-HF
				23	3256-23	2	Washer-Plain
				24	3218-5	2	Nut-Jam
				25	115-1794	2	Screw-HHF

● Use Pro-Lock, Nut Type (P/N 1-840022, .5ml tube) on threads.



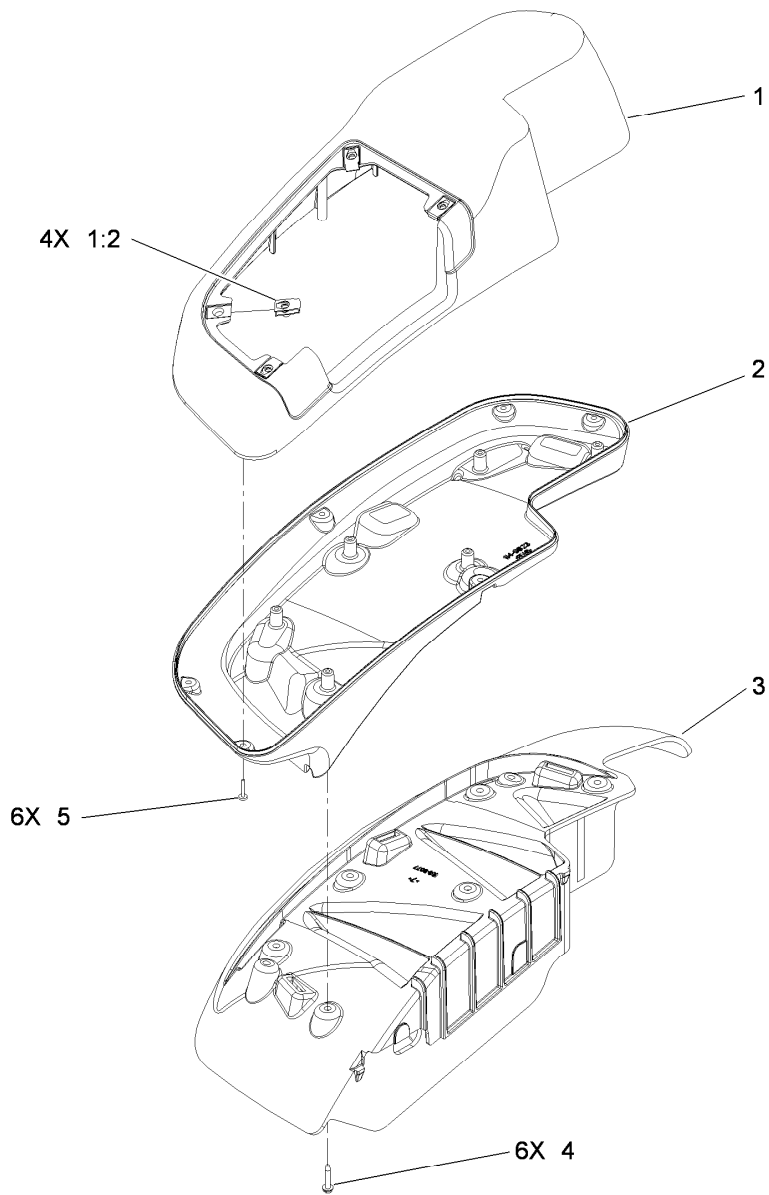
Fender, Console and Control Assembly

Ref.	Part Number	Qty.	Description
1	115-7403	1	LH Narrow Fender/Console ASM
2	115-7402	1	RH Narrow Fender/Console ASM
3	114-9837	1	Control Panel ASM
3:2	120-5898	1	Decal-Control Panel
3:3	114-4466	1	Decal-Fuses
4	115-2753	1	Control-Choke
5	110-5727	1	Throttle Control ASM
5:1	112-2334	1	Lever-Throttle
5:2	110-5728	1	Cable-Throttle
6	1-807513	2	Bolt-CARR
7	3296-2	2	Nut-Lock, NI
8	32105-15	4	Screw-HWH
9	1-603175	1	Knob-Ball
11	3220-3	1	Nut-HJ
12	117-7817	1	Clamp-Harness



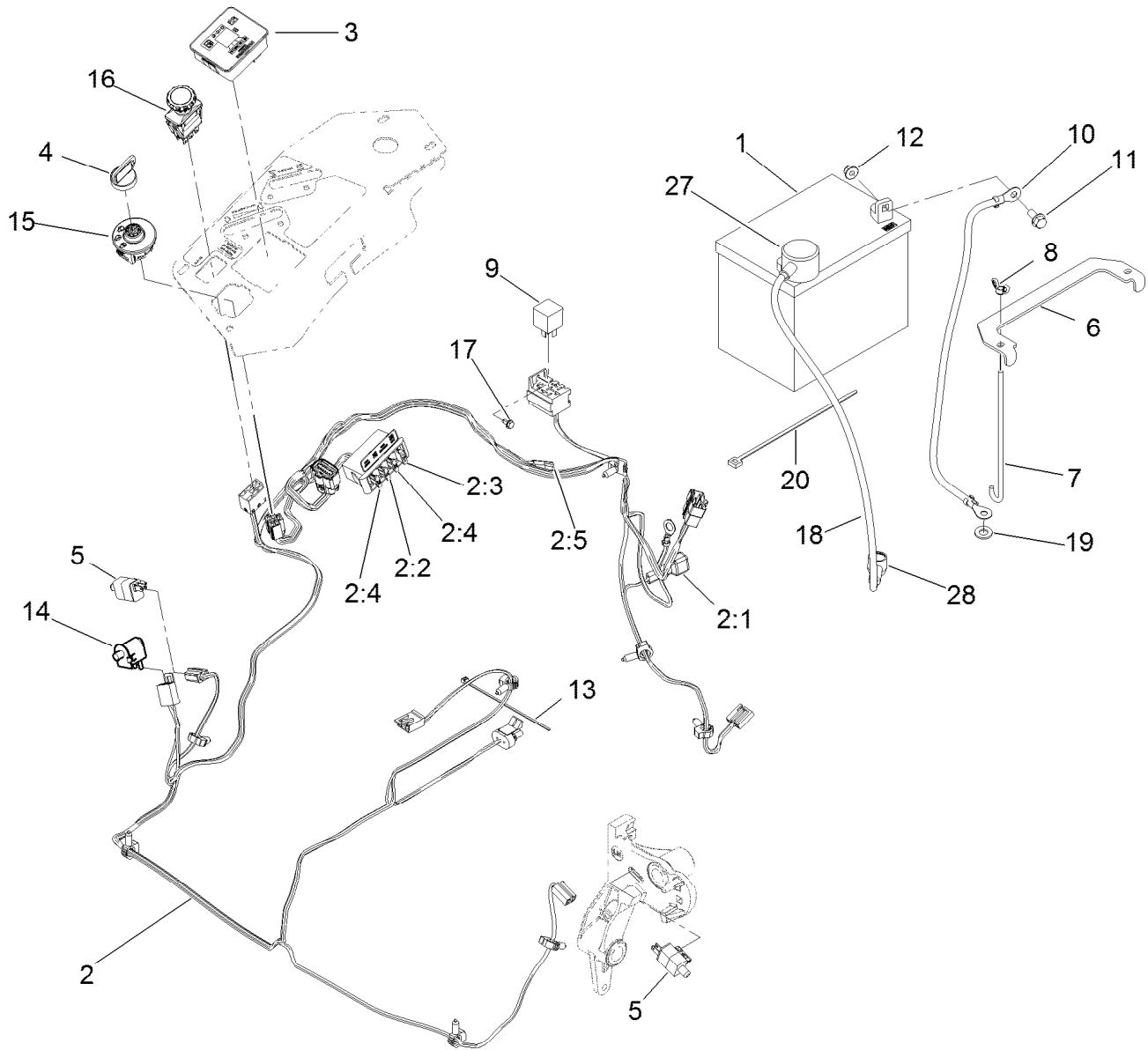
LH Console Assembly No. 115-7403

Ref.	Part Number	Qty.	Description
1	114-1541	1	LH Console Top ASM
1:2	117-0883	2	Puck
2	114-9821	1	LH Lower Console ASM
3	114-1536	1	Lid ASM
3:2	114-5896	2	Magnet
4	109-9080	1	Fender-LH
5	32144-89	6	Screw-Thread Forming
6	117-0347	6	Screw-PPH



RH Console Assembly No. 115-7402

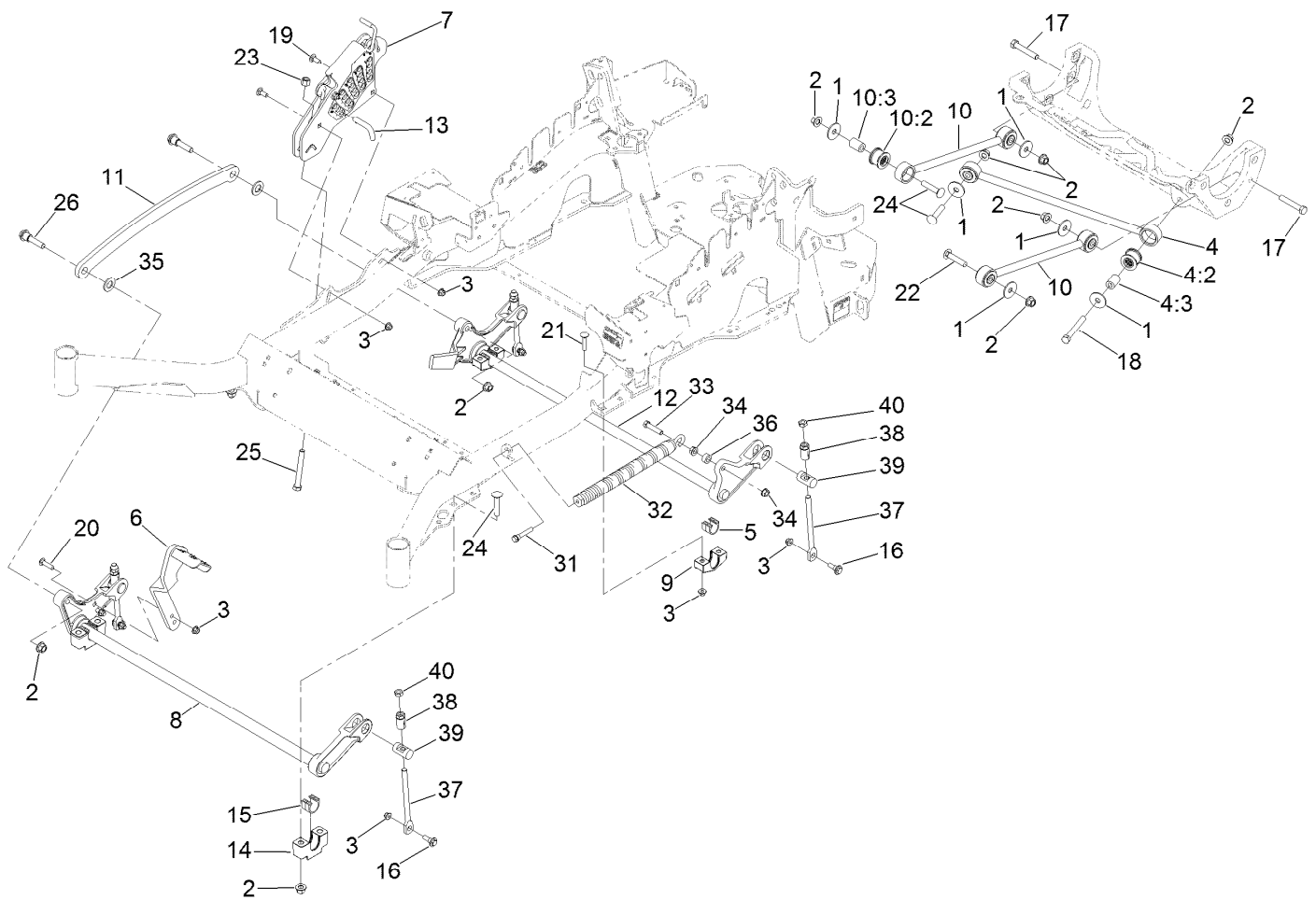
<i>Ref.</i>	<i>Part Number</i>	<i>Qty.</i>	<i>Description</i>
1	114-1542	1	RH Console Top ASM
1:2	107069	4	Clip
2	114-9823	1	Console-Narrow, RH
3	109-9077	1	Fender-Narrow, RH
4	32144-89	6	Screw-Thread Forming
5	117-0347	6	Screw-PPH



Electrical Assembly

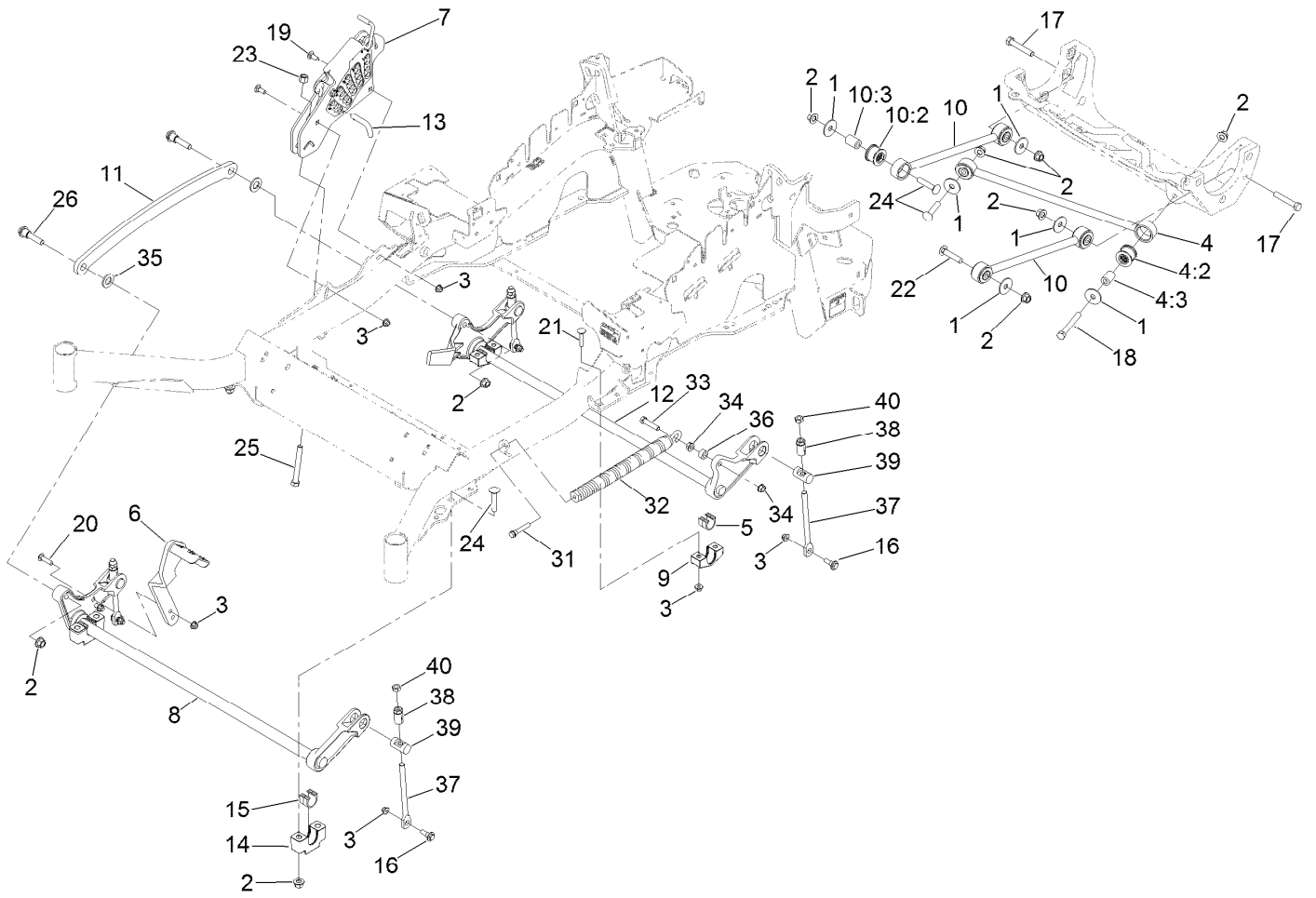
<i>Ref.</i>	<i>Part Number</i>	<i>Qty.</i>	<i>Description</i>	<i>Ref.</i>	<i>Part Number</i>	<i>Qty.</i>	<i>Description</i>
1	104-2491	1	Battery	10	114-1218	1	Cable-Battery, Negative
2	116-6009	1	Harness-Wire, Main ●	11	3234-5	2	Screw-HHF
2:1	103-3895	1	Diode	12	104-8300	2	Nut-HF, NI
2:2	218-578	1	Fuse-Blade, 10 Amp	13	1-303287	3	Tie-Cable
2:3	109355	1	Fuse-Blade, 15 Amp	14	82-2190	1	Switch-Bail
2:4	109102	2	Fuse-Blade, 25 Amp	15	117-2221	1	Switch-Ignition
2:5	116-0053	1	Cap-Plug	16	116-0124	1	Switch-PTO, 10 Amp
3	117-3882	1	Fuel/Hour Meter ASM	17	104-2065	1	Screw-HWH
4	63-8360	1	Key-Ignition	18	115-3864	1	Cable-Battery, Positive
5	110-6765	2	Switch	19	3256-24	1	Washer-Flat
6	116-0042-03	1	Strap-Tie Down, Battery	20	1-303335	1	Tie-Plastic
7	1-633651	2	Bolt-Holddown	27	109-2407	1	Insulator-Battery
8	1-543792	2	Wingnut	28	1-543393	1	Insulator-Solenoid
9	1-643275	1	Relay				

● Use dielectric grease on all unsealed connectors and terminals only. Do not apply in sealed connectors.



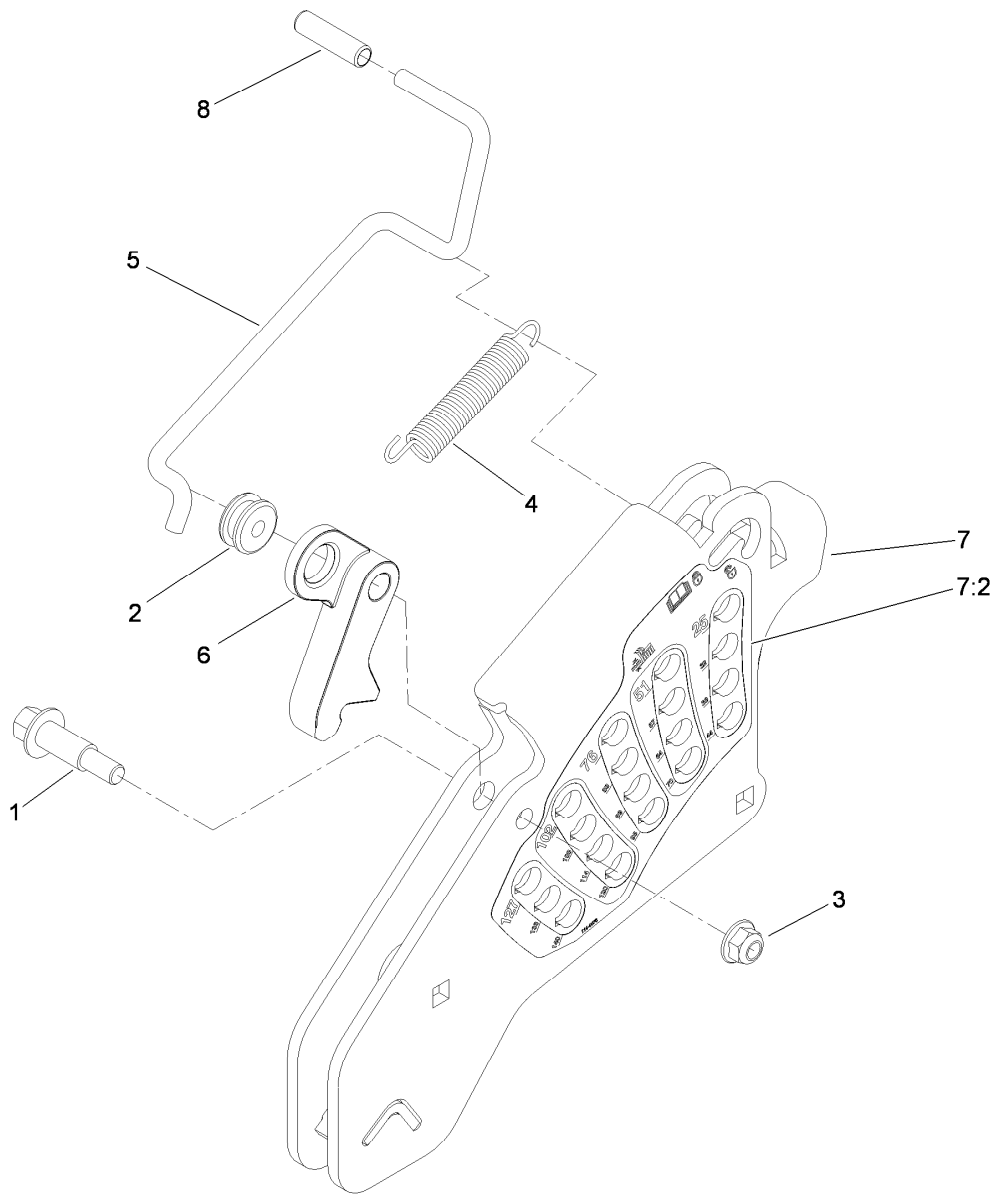
Deck Lift Assembly

Ref.	Part Number	Qty.	Description	Ref.	Part Number	Qty.	Description
1	86-1990	6	Washer-Thrust	14	109-9409	2	Support-Bearing, Cross Shaft (Front)
2	99-5107	12	Nut-Lock	15	109-9410	2	Bearing-Cross Shaft, Front
3	104-8301	12	Nut-HF, NI	16	109-9840	4	Screw-Shoulder, HHF
4	109-5013	1	Panhard Rod ASM	17	325-12	2	Screw-HH
4:2	109-5009	2	Bushing-Suspension, Rubber	18	325-17	1	Screw-HH
4:3	109-5010	2	Spacer	19	3231-2	2	Bolt-CARR
5	109-7173	2	Bearing-Cross Shaft, Rear	20	3231-4	2	Screw-CARR
6	116-1919-01	1	Lever-Foot	21	3231-5	4	Screw-CARR
7	117-3842	1	Height-Of-Cut ASM	22	3233-34	3	Screw-CARR
8	116-1771-03	1	Deck Lift-Front	23	3296-23	1	Nut-Lock, NI
9	116-0818-03	2	Support-Cross Shaft, Rear Bearing	24	116-1700	4	Bolt-CARR
10	109-7952	2	Deck Strut ASM	25	116-0559	1	Bolt-TAP
10:2	109-5009	2	Bushing-Suspension, Rubber	26	116-2022	2	Screw-HHF, Shoulder
10:3	109-5010	2	Spacer	31	92-7674	1	Bolt-Shoulder
11	116-0797-03	1	Link-Lift, Deck	32	116-0886	1	Spring-Extension
12	116-2645-03	1	Lift-Deck, Rear	33	109-9065	1	Screw-HH
13	116-5584	1	Pin-HOC	34	32128-37	2	Nut-HF
				35	3256-28	2	Washer-Flat
				36	116-2695	1	Spacer
				37	109-8007	4	Link-Adjuster, Deck Lift



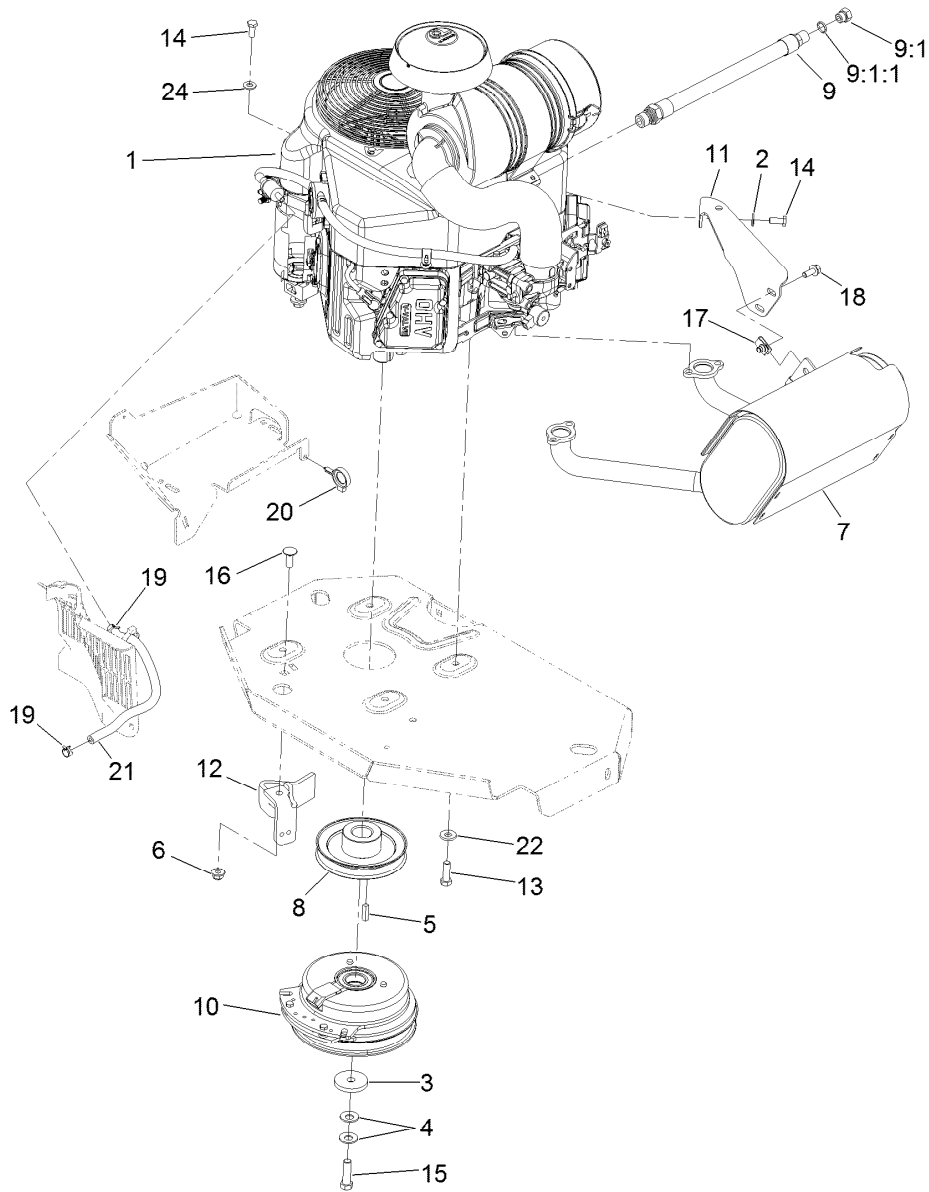
Deck Lift Assembly (continued)

<i>Ref.</i>	<i>Part Number</i>	<i>Qty.</i>	<i>Description</i>	<i>Ref.</i>	<i>Part Number</i>	<i>Qty.</i>	<i>Description</i>
38	109-7840	4	Adjuster-Lift, Deck	39	109-8353	4	Trunnion
				40	3218-5	4	Nut-Jam



Height-of-Cut Assembly No. 117-3842

<i>Ref.</i>	<i>Part Number</i>	<i>Qty.</i>	<i>Description</i>
1	62-1330	1	Bolt-Shoulder
2	109-7130	1	Grommet
3	104-8301	1	Nut-HF, NI
4	109-7124	1	Spring-Extension
5	109-7128	1	Rod-Lock, Transport
6	116-0118	1	Pawl-Transport, HOC
7	117-3837	1	Plate-Height Adjuster
7:2	114-4470	1	Decal-HOC
8	109-8250	1	Grip-Lever



Engine, Muffler and Clutch Assembly

Ref.	Part Number	Qty.	Description
1		1	Engine-Kawasaki, Fx651V-S07-R ●■
2	1-303334	1	Washer-Spring
3	109-6919	1	Washer-Clutch
4	1-603610	2	Washer-Spring
5	1-807259	1	Key
6	104-8301	1	Nut-HF, NI
7	116-1715	1	Muffler
8	109-9905	1	Sheave
9	116-4924	1	Engine Oil Drain Hose ASM ▲
9:1	353-508	1	Plug-HH
9:1:1	237-42	1	O-Ring
10	116-1620	1	Clutch Kit

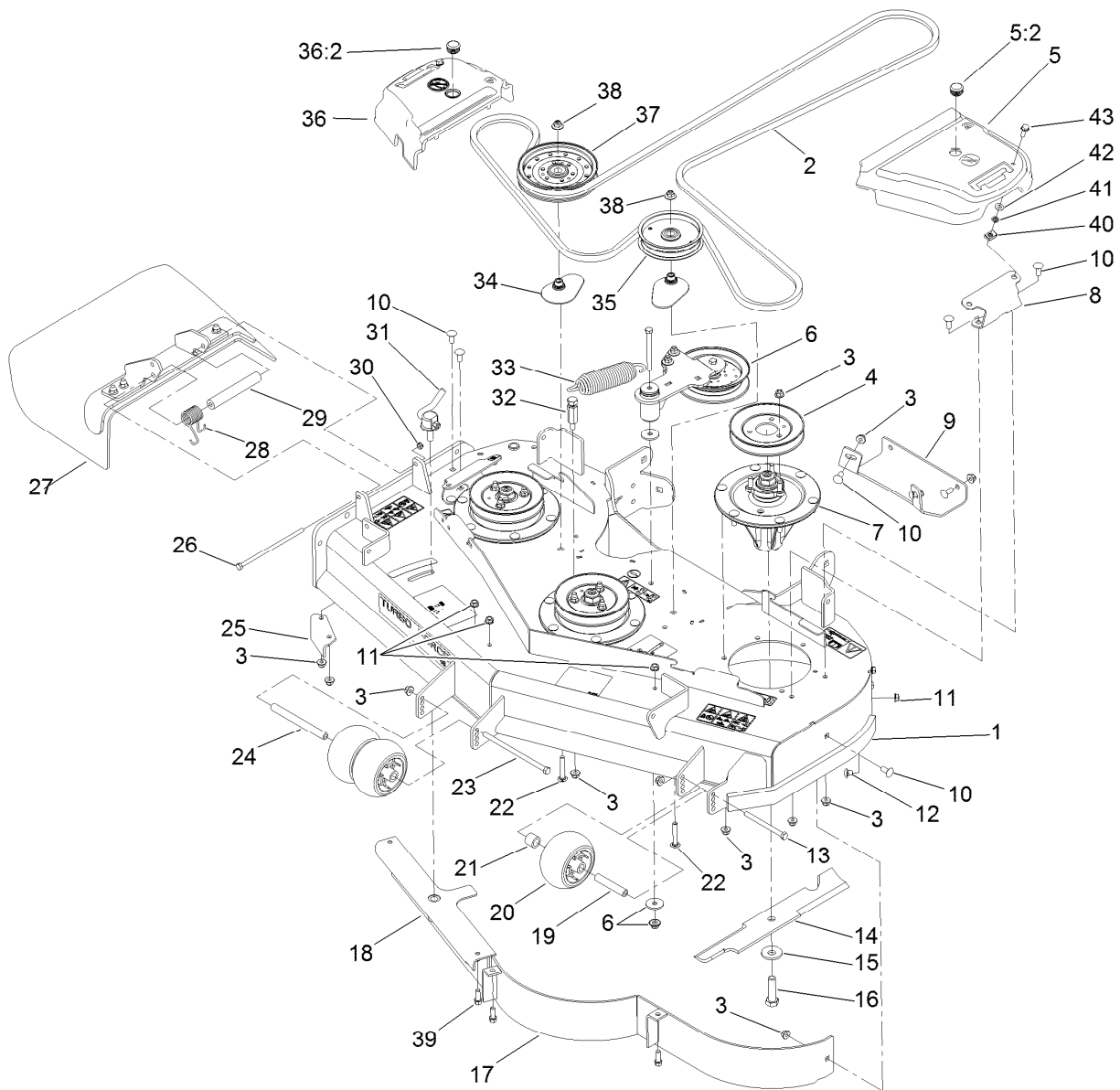
Ref.	Part Number	Qty.	Description
11	116-1435	1	Bracket-Muffler
12	116-2612-01	1	Clutch-Anchor
13	323-7	4	Screw-HH
14	33114-020	2	Screw-HH
15	109-9761	1	Screw-HH, W/Loctite ◆
16	3231-22	1	Screw-CARR
17	94-2413	2	Nut-U
18	3234-5	2	Screw-HHF
19	2412-98	2	Clamp-Hose
20	105-1853	1	Clamp-Hose
21	109-0296	1	Hose-Fuel
22	98-5975	4	Washer-Belleville
24	33094-00	1	Washer-Plain

● Not serviced separately

▲ Use a Teflon Pipe Sealant or equivalent on threads.

◆ Use Pro-Lock, Nut Type (P/N 1-840022, .5ml tube) on threads.

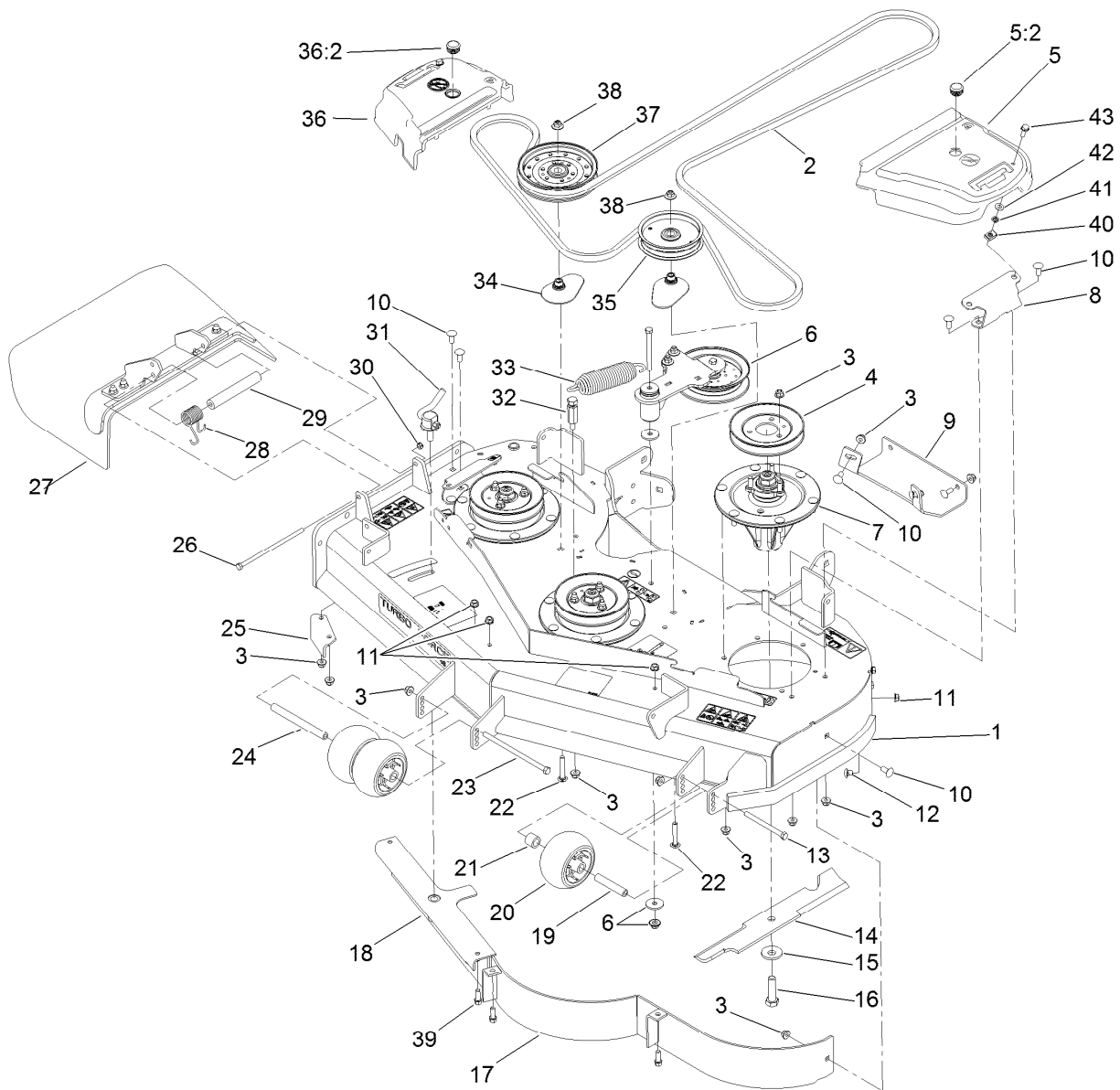
■ Obtain parts from www.kawpower.com



Deck Assembly

Ref.	Part Number	Qty.	Description	Ref.	Part Number	Qty.	Description
1	119-6656	1	Deck ASM	18	107-8506-01	1	Baffle
2	115-7407	1	Belt-V	19	98-7912	1	Tube-Spanner
3	104-8301	41	Nut-HF, NI	20	1-603299	3	Roller-Scalp, Anti
4	115-7440	3	Pulley	21	98-7913	1	Tube-Spacer
5	117-7814	1	LH Belt Cover ASM	22	3231-40	2	Bolt-CARR
5:2	117-3824	1	Plug-Plastic	23	108-5388	1	Screw-HH
6		1	Idler Arm ASM ●	24	98-5967	1	Spacer-Wheel
7	119-8560	3	Spindle ASM	25	107-8541-01	1	Baffle-Discharge
8	114-5881-01	2	Bracket-Cover, Belt	26	322-50	1	Screw-HH
9	112-4230-01	1	Plate-Skid	27	108-2792	1	Rubber Deflector ASM
10	3231-27	11	Screw-CARR	28	108-4052	1	Spring-Torsion
11	3290-357	6	Nut-HHF, Whiz	29	105-4622	1	Spacer
12	108-5387	3	Screw-CARR	30	3296-47	1	Nut-Lock, NI
13	323-23	1	Screw-HH	31	107-1664	1	Lever ASM
14	107-3192-03	3	Blade-16.5 Inch (High Flow)	32	114-5867	1	Anchor-Spring, Tall
15	103-0865	3	Washer-Blade Bolt, Heavy	33	116-0133	1	Extension-Spring
16	51-4060	3	Screw-Blade	34	109-2872	2	Spacer-Pulley
17	114-5862-01	1	Baffle	35	1-613098	1	Pulley-Idler

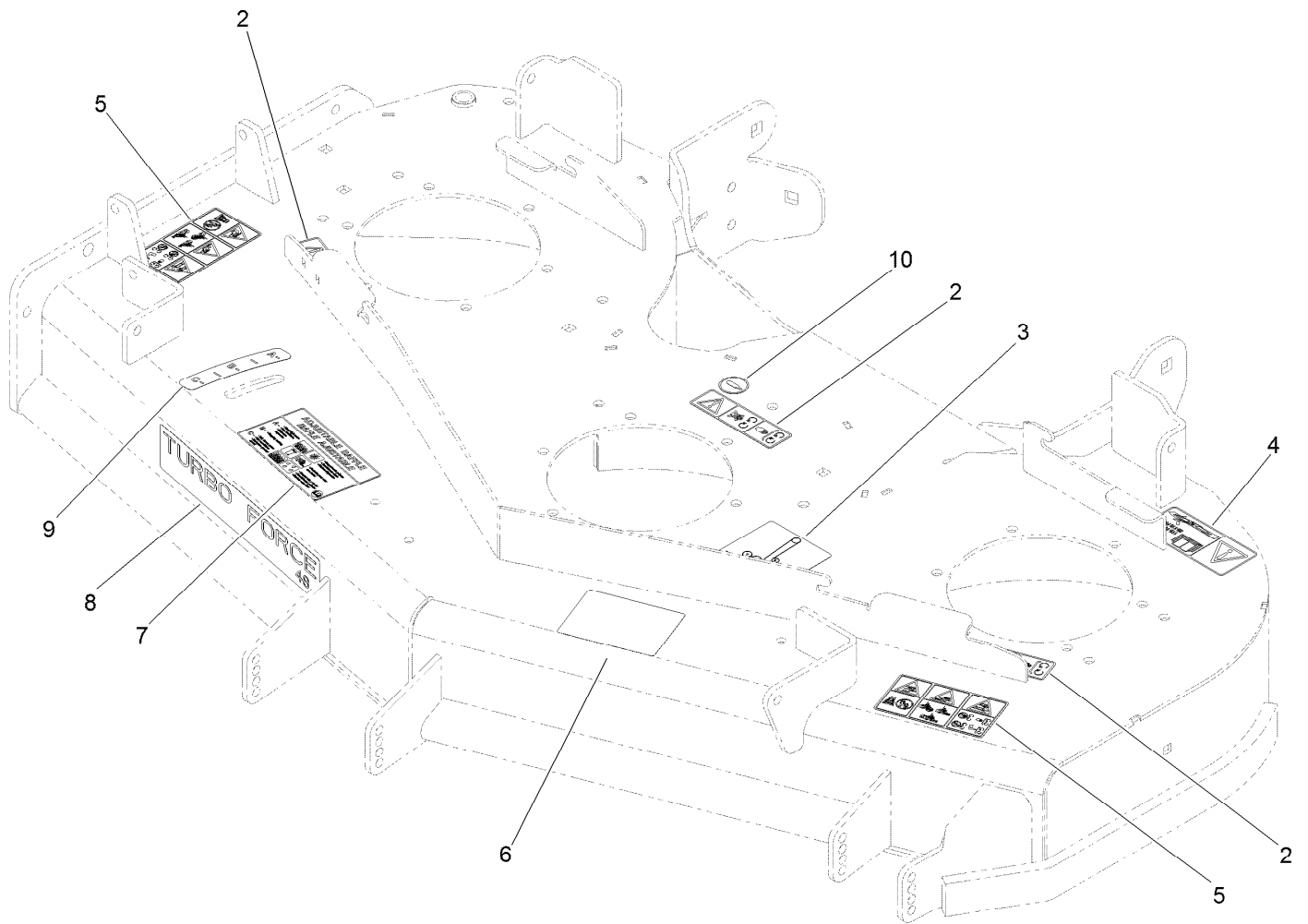
● Not serviced separately



Deck Assembly (continued)

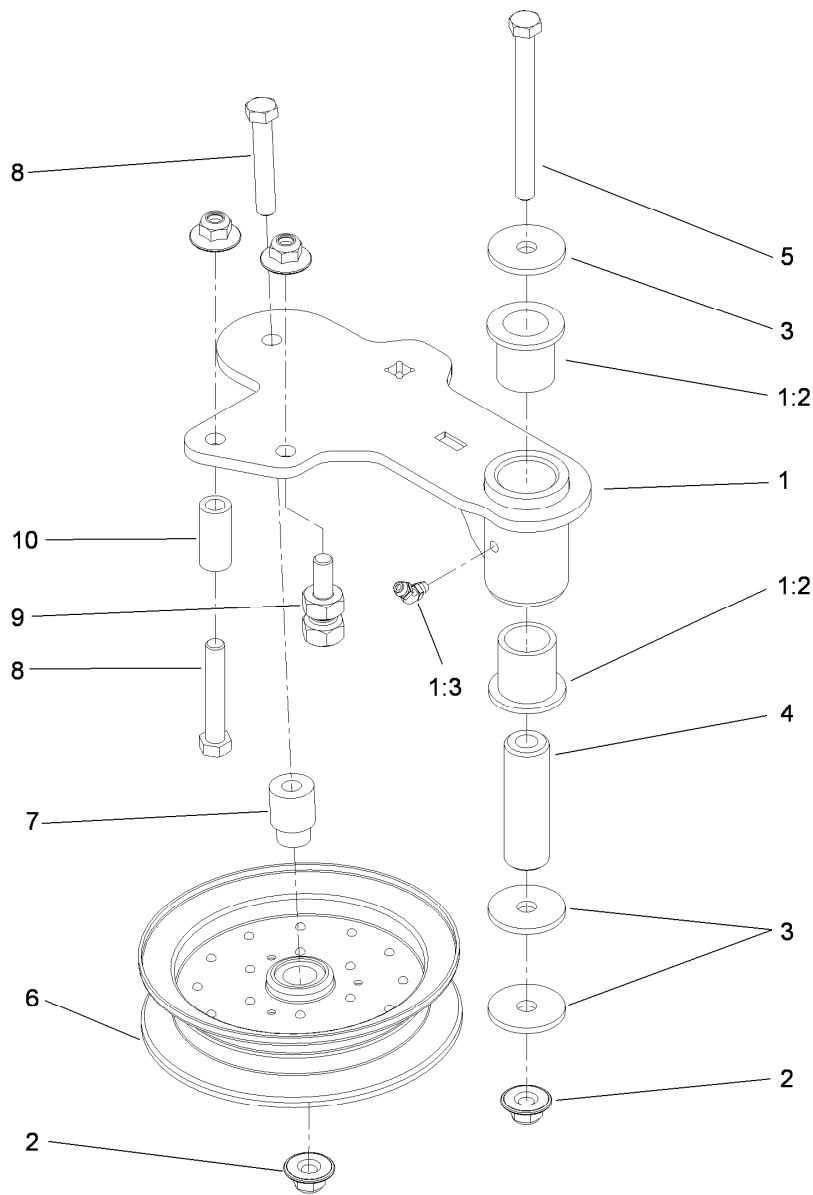
<i>Ref.</i>	<i>Part Number</i>	<i>Qty.</i>	<i>Description</i>	<i>Ref.</i>	<i>Part Number</i>	<i>Qty.</i>	<i>Description</i>
36	117-7813	1	RH Belt Cover ASM	40	94-2413	2	Nut-U
36:2	117-3824	1	Plug-Plastic	41	117-2749	2	Nut-Push
37	116-4670	1	Pulley-Idler, Flat	42	73-0041	2	Washer-Thrust
38	109-6658	2	Nut-Flange, NI	43	3234-29	2	Screw-HHF
39	92-1624	3	Screw-HWH				

● Not serviced separately



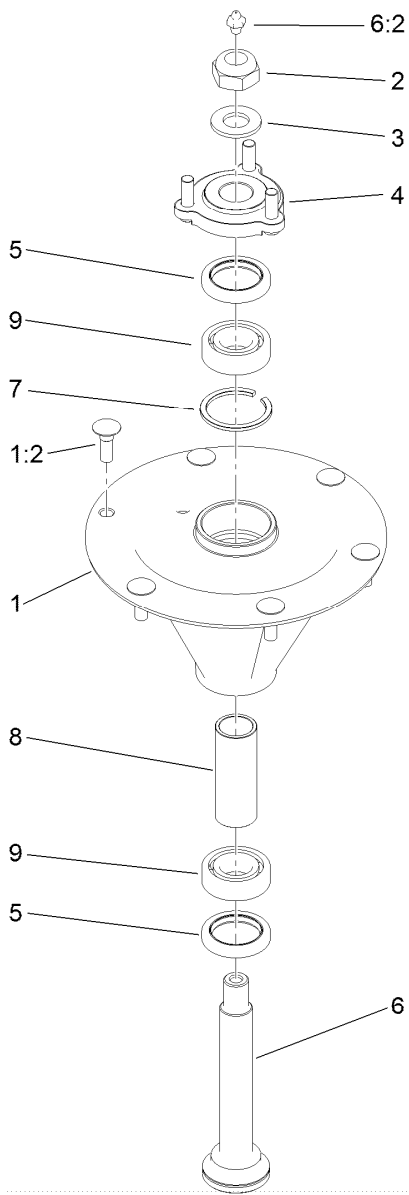
Deck Decal Assembly No. 119-6656

Ref.	Part Number	Qty.	Description
2	112-9028	3	Decal-Cover, Missing
3	115-7445	1	Decal-Routing, Deck Belt
4	93-7818	1	Decal-Torque, Blade Bolt
5	117-3848	2	Decal-Danger
6	99-8939	1	Decal-Anti Scalp
7	110-2068	1	Decal-Adjustment, Baffle
8	107-1690	1	Decal
9	110-2067	1	Decal-Setting, Baffle
10	58-6520	1	Decal-Grease



Idler Assembly

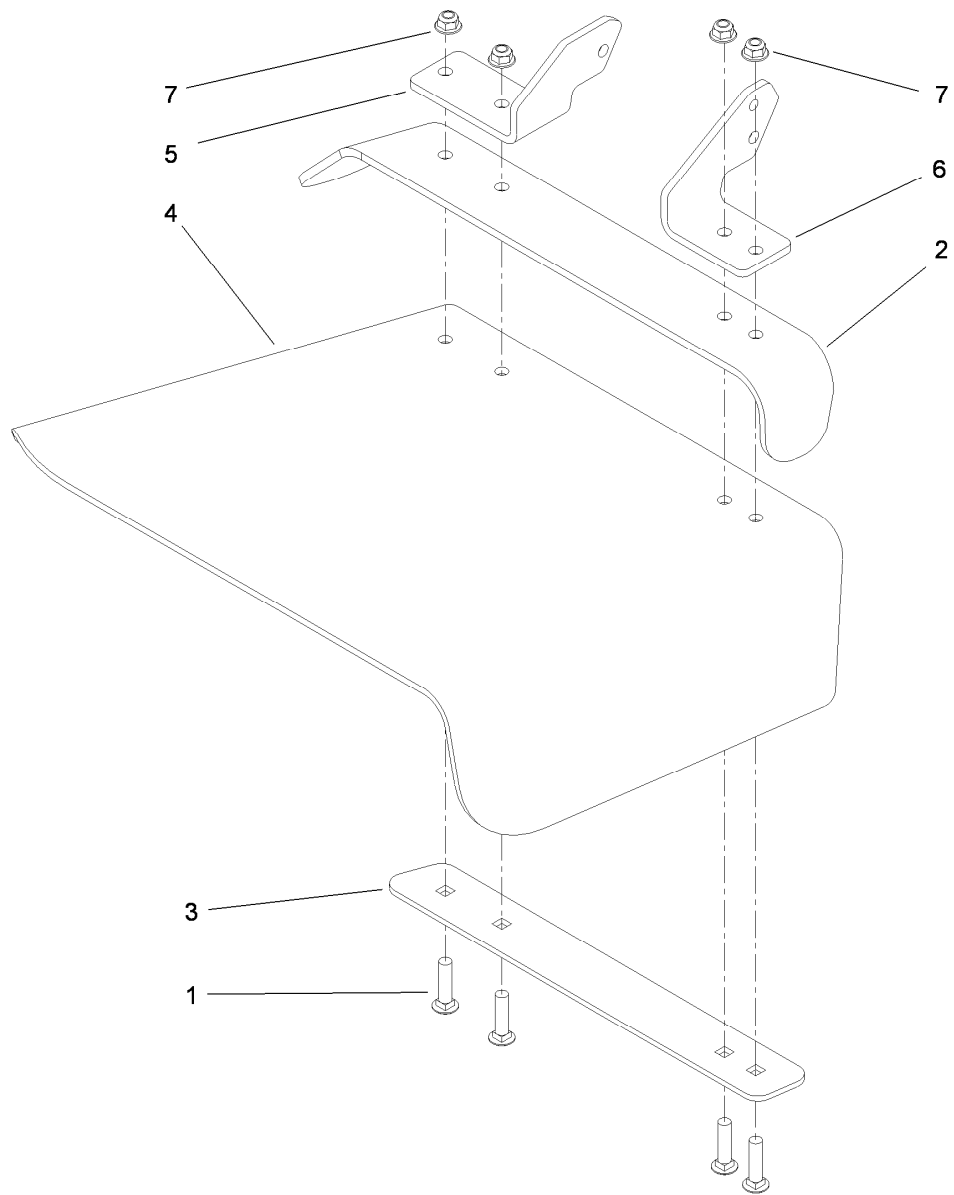
<i>Ref.</i>	<i>Part Number</i>	<i>Qty.</i>	<i>Description</i>
1	114-5870	1	Idler Arm ASM
1:2	1-303514	2	Bearing-Flanged
1:3	1481	1	Fitting-Grease
2	109-6658	4	Nut-Flange, NI
3	1-213069	3	Washer
4	114-5848	1	Spacer-Plain
5	98-5961	1	Screw-HH
6	116-4668	1	Idler-Pulley, Flanged
7	112-4212	1	Mount-Pulley
8	323-11	2	Screw-HH
9	114-5866	1	Anchor-Spring, Short
10	104-0151	1	Spacer



Spindle Assembly No. 119-8560

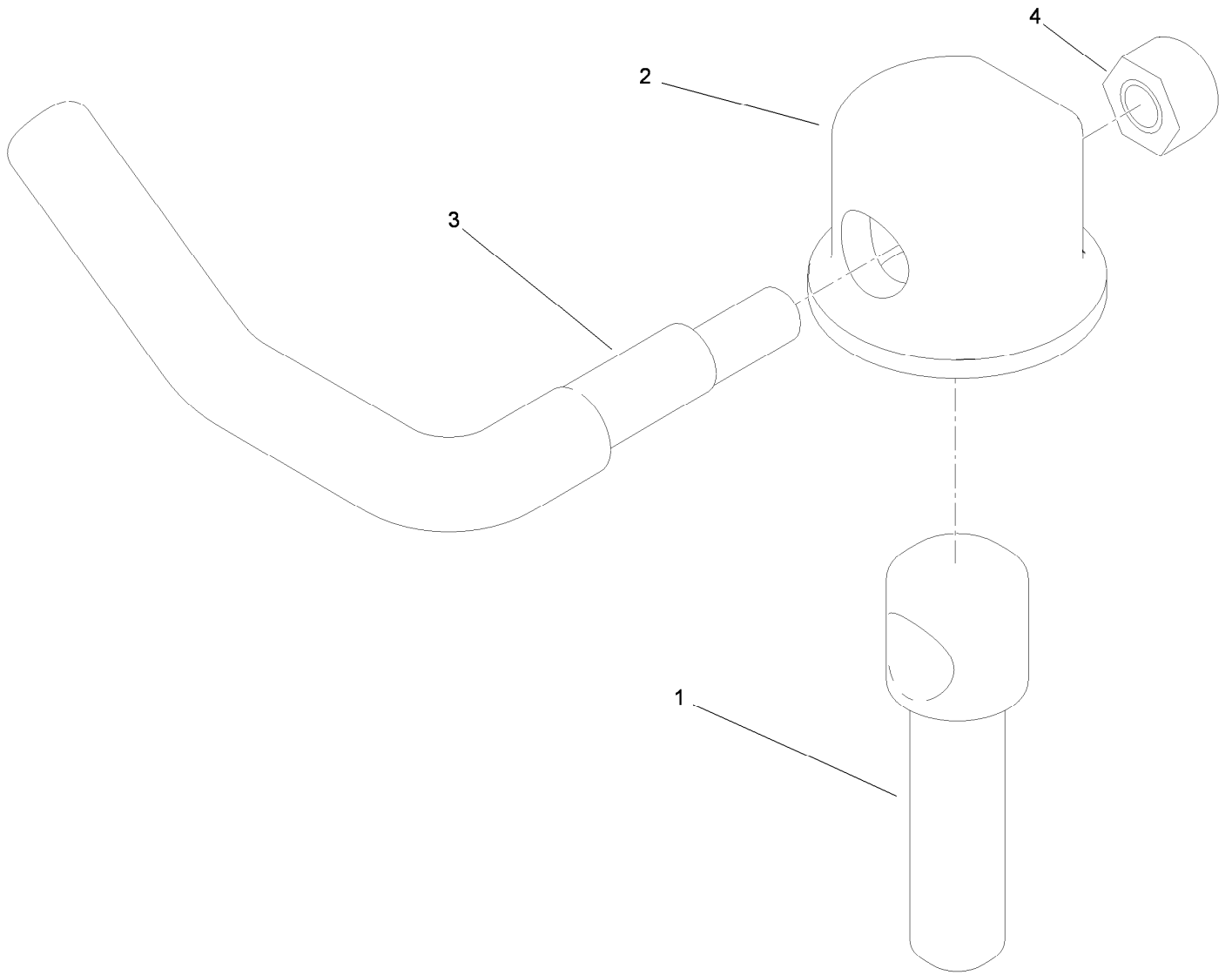
<i>Ref.</i>	<i>Part Number</i>	<i>Qty.</i>	<i>Description</i>
1		1	Spindle Housing And Studs ASM ●
1:2	114-8195	6	Bolt-Neck, Ribbed
2	3296-67	1	Nut-Lock, NI
3	92-5836	1	Washer
4	117-6172	1	Spindle Hub ASM
5	253-133	2	Seal-Oil
6	119-8527	1	Shaft-Spindle
6:2	302-2	1	Fitting-Grease
7	119-8532	1	Snap Ring
8	117-6184	1	Spacer
9	119-8558	2	Bearing-Noseal

● Not serviced separately



Rubber Deflector Assembly No. 108-2792

<i>Ref.</i>	<i>Part Number</i>	<i>Qty.</i>	<i>Description</i>
1	3231-4	4	Screw-CARR
2	106-3246-01	1	Deflector
3	106-3248-03	1	Strap-Discharge
4	108-5029	1	Deflector-Rubber
5	108-4059-01	1	Plate-Hinge, Rear
6	106-3253-01	1	Plate-Hinge, Front
7	104-8301	4	Nut-HF, NI



Lever Assembly No. 107-1664

<i>Ref.</i>	<i>Part Number</i>	<i>Qty.</i>	<i>Description</i>
1	106-3239	1	Screw-Lock
2	107-1644	1	Cap-Lock
3	106-3241	1	Lever-Lock
4	3296-29	1	Nut-Lock, NI

Attachments and Accessories

For 74902TE Z Master Riding Mower with 48in TURBO FORCE Side Discharge Mower

Product Name	Model/Part
Blade-Hi Flow, 16.5in.....	107-3192-03
Blade-Low Flow, 16.5in.....	107-3193-03
Blade-Mid Flow, 16.5in	107-3194-03
Blade-Atomic, 16.5in	107-3195-03
Blade-Recycling, 16.5in.....	107-3196-03
Hitch Kit	109-9487
Blade-Hi Flow, 16.5in (6 Pack).....	110-0414
Blade-Lo Flow, 16.5in (6 Pack)	110-0415
Blade-Recycler, 16.5in (6 Pack).....	110-0416
Blade-Atomic, 16.5in (6 Pack)	110-0417
Blade-Mid Flow, 16.5in (6 Pack)	110-0418
Hypr-Oil 500 (quart).....	114-4713
Hypr-Oil 500 (gallon).....	114-4714
Hypr-Oil 500-5 (5 gallon).....	114-4715
Bimini Folding Shade Assembly	115-4510
Recycler Kit	115-7466
Roller Striper Kit.....	115-7470
Light Kit.....	116-1154
Z Stand Kit.....	117-0350
Operator Controlled Discharge Chute Kit.....	117-3600
Deluxe Suspension Seat Kit	117-6174
CE Bagger Compliance Kit	119-4240
Toro Deluxe Rider Cover.....	490-7319
Spark Arrestor Screen	75-6880
Blower and Drive Kit	78551
E-Z Vac Twin Bagging System.....	78562
E-Z Vac DFS Collection System	78566
Filter Minder Gauge	99-4664
Trash Holder Kit.....	TC26



Count on it.