



**Count on it.**

**Parts Catalog**

**MB TX 2500**

**Tracked Mud Buggy**

Model No. 68138—Serial No. 406660000 and Up



# Ordering Replacement Parts

To order replacement parts, please supply the part number, the quantity, and the description of each part desired.

## Understanding Reference Numbers

Each identified part in an illustration has a reference number. The reference number for a part also appears in the parts list, along with other information about the part.

This catalog uses two special reference number formats, one to indicate parts in a service assembly and another to indicate the quantity of a given part in an illustration.

## Service Assembly Reference Numbers

Parts in service assemblies have reference numbers in the form a:b. The a represents the reference number of the entire service assembly and the b represents a sequential number unique to each part within the service assembly.

For example, a wheel assembly might be identified by reference number 6, the tire by 6:1, the valve by 6:2, and the wheel by 6:3. When you order the assembly identified by reference number 6, you receive all parts identified by reference numbers 6:1, 6:2, and 6:3. However, you may also order any part individually. Reference numbers of this type appear in illustration and in parts lists.

## Reference Numbers Indicating Quantity

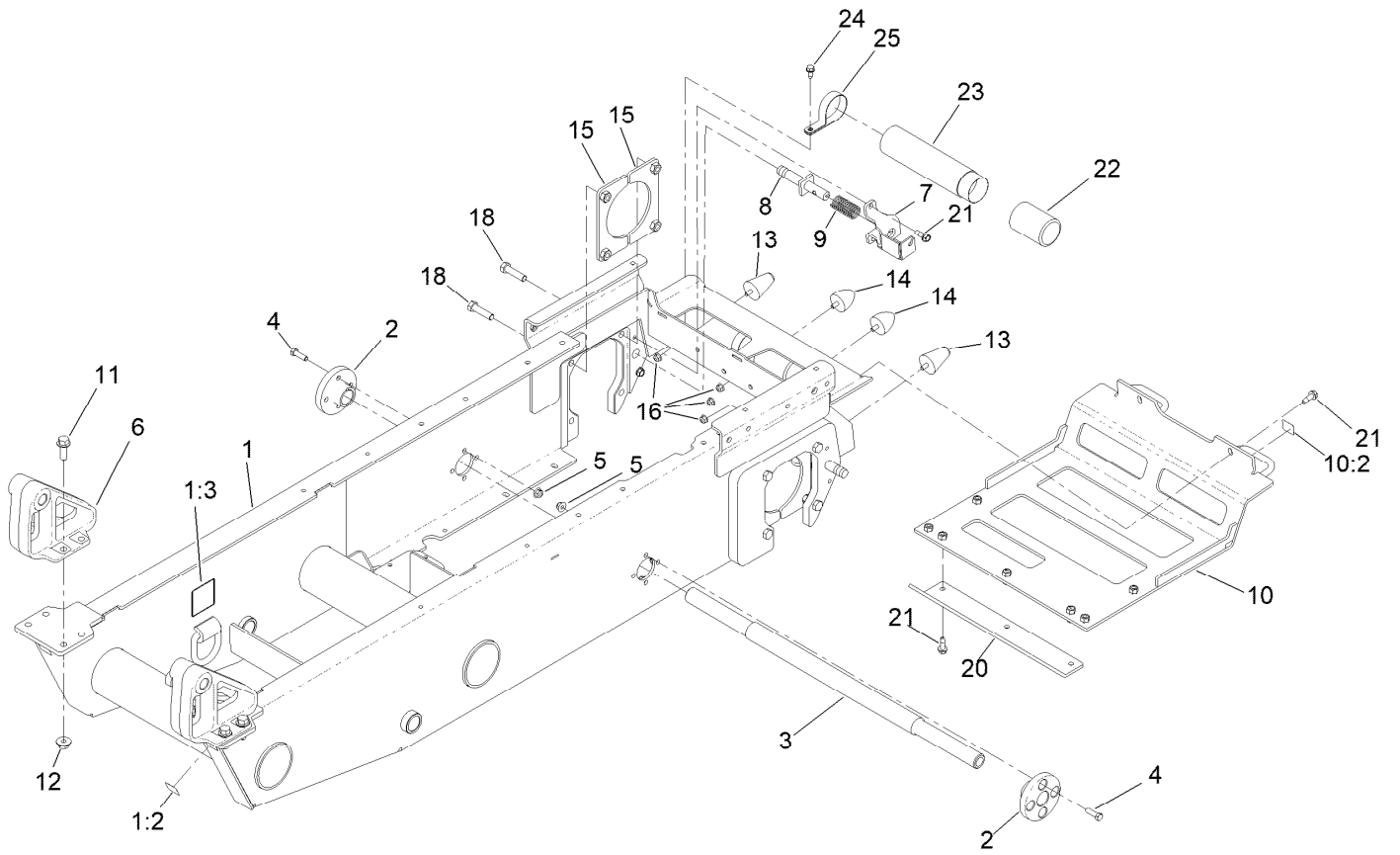
In an illustration, if a reference number indicates more than one part, the reference number has the form nX y. The n represents the quantity of the part, the X is the multiplication symbol, and the y represents the reference number.

For example, in an illustration, the reference number 2X 37 means that two of the parts identified by reference number 37 are indicated.

# Contents

Frame Assembly	4
Hydraulic Pump Assembly	6
LH Hydro Transaxle Assembly No. 132-8802	8
RH Hydro Transaxle Assembly No. 132-8803	10
Hydraulic Manifold Assembly No. 132-8989	12
Engine Assembly	14
Hydraulic Gear Pump Assembly No. 132-8954	16
Fuel Tank and Tower Assembly	18
Track Assembly	20
Hopper Assembly	22
Electrical Harness Assembly	24
Control Assembly	26
Platform Assembly	28
Hood Assembly	30
Attachments and Accessories	32

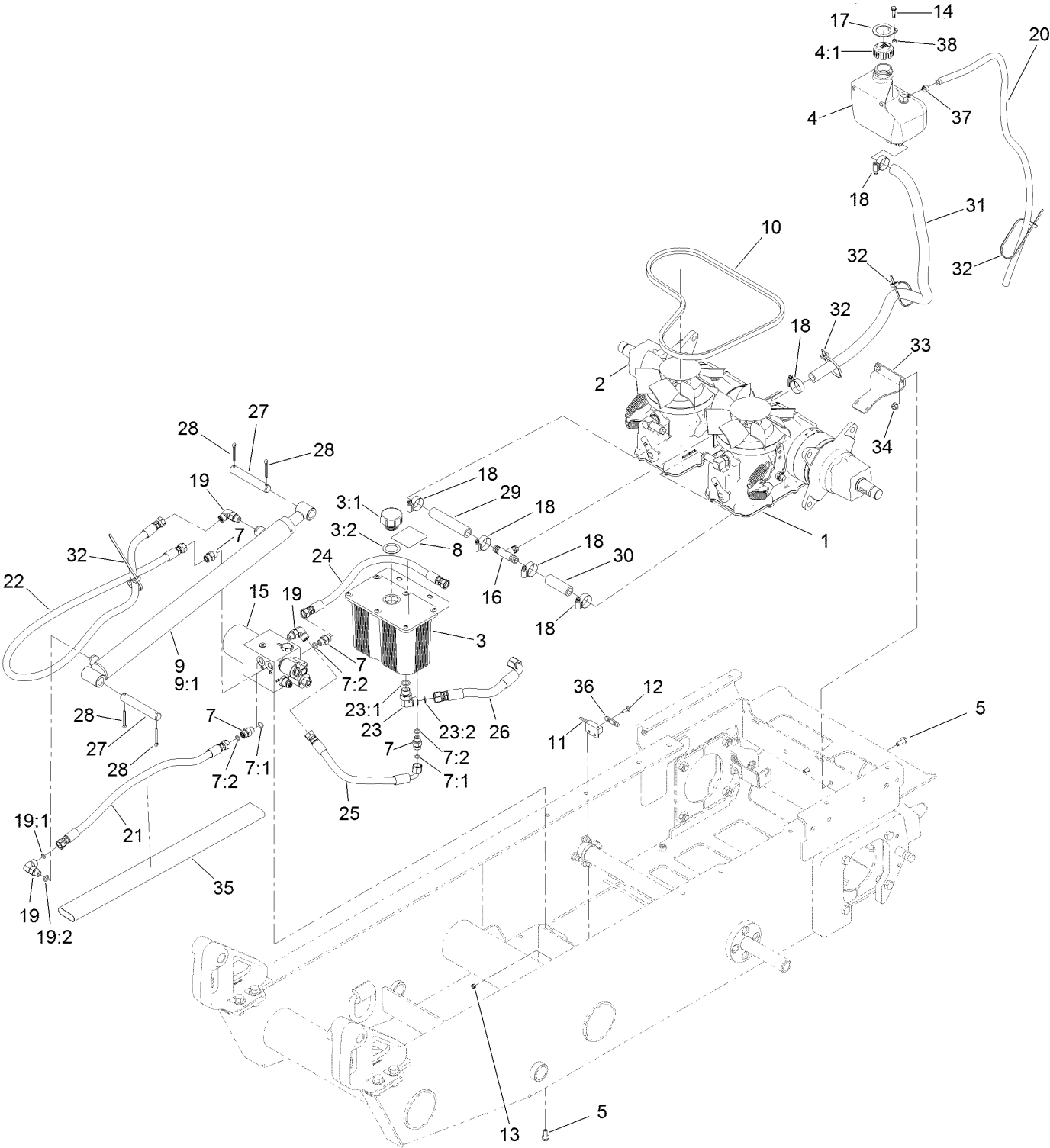
# Frame Assembly



## Frame Assembly (continued)

<i>Ref.</i>	<i>Part Number</i>	<i>Qty.</i>	<i>Description</i>	<i>Ref.</i>	<i>Part Number</i>	<i>Qty.</i>	<i>Description</i>
1	139-7198	1	Frame ASM- Straight	11	130-6482	8	Screw-HHF
1:2	125-4967	2	Decal-Lift Here	12	32128-52	8	Nut-Lock, Flange
1:3	132-9051	2	Decal-Tiedown	13	114-1925	2	Bumper-Rubber
2	132-9075	2	Hub-Mount, Track	14	114-1926	2	Bumper-Rubber
3	125-0425	1	Shaft-Track	15	132-8936-03	4	Hydro Mounting Plate ASM
4	323-7	8	Screw-HH	16	104-8300	4	Nut-HF, NI
5	104-8301	8	Nut-HF, NI	18	325-8	8	Screw-HH
6	132-9025-03	2	Pivot-Dump	20	136-4611-03	1	Plate-Skid
7	130-5284-03	2	Bracket-Brake	21	105-6245	13	Screw-Tapping
8	132-8866	2	Shaft-Brake	22	104-7048	1	Cap-Housing
9	125-0344	2	Spring-Compression	23	104-7050	1	Tube-Manual
10	136-4651	1	Plate-Side	24	32144-70	2	Screw-HWHTF
10:2	132-9051	2	Decal-Tiedown	25	2412-133	2	Clamp-R

# Hydraulic Pump Assembly

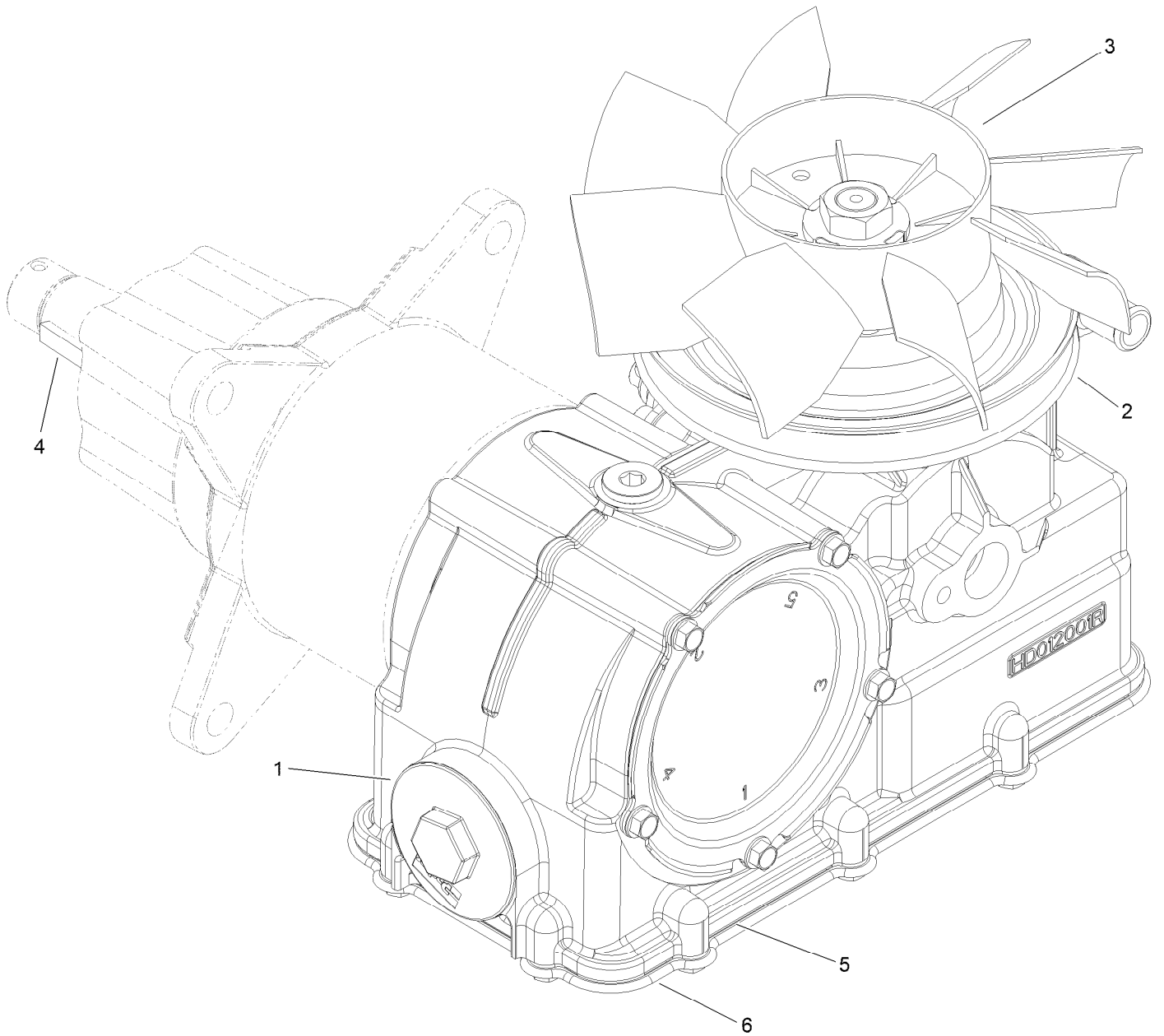


## Hydraulic Pump Assembly (continued)

<i>Ref.</i>	<i>Part Number</i>	<i>Qty.</i>	<i>Description</i>	<i>Ref.</i>	<i>Part Number</i>	<i>Qty.</i>	<i>Description</i>
1	132-8802	1	LH Hydro Transaxle ASM	19:1	237-22	1	O-Ring
2	132-8803	1	RH Hydro Transaxle ASM	19:2	237-42	1	O-Ring
3	109-0448	1	Tank-Hydraulic	20	132-7563	1	Hose-Breather, Transmission
3:1	103-1948	1	Cap-Reservoir, HYD	21	132-8941	1	Hose-Hydraulic
3:2	103-1949	1	Gasket-Cap	22	132-8942	1	Hose-Hydraulic
4	138-3164	1	Tank-Hydraulic	23	340-98	1	Fitting-Elbow, 90 DEG
4:1	133-8677	1	Cap-Vented	23:1	237-79	1	O-Ring
5	3234-47	5	Screw-HHF	23:2	237-30	1	O-Ring
7	340-2	4	Fitting-Straight	24	132-8948	1	Hose-Hydraulic
7:1	237-22	1	O-Ring	25	132-8949	1	Hose-Hydraulic
7:2	237-42	1	O-Ring	26	132-8950	1	Hose-Hydraulic
8	115-4212	1	Decal-Warning	27	105-7456	2	Pin-Pivot
9	132-8835	1	Cylinder-Hydraulic	28	3272-23	4	Pin-Cotter
9:1	132-9084	1	Seal Kit ●	29	132-8933	1	Hose-HYD, Hydro
10	138-7157	1	Belt And Spring Kit	30	132-8934	1	Hose-HYD, Hydro
11	100-1270	1	Switch-Proximity	31	132-8935	1	Hose-HYD, Hydro
12	3229-20	2	Screw-CARR	32	3290-378	4	Tie-Cable
13	3296-2	2	Nut-Lock, NI	33	132-9032-03	1	Bracket-Hose Retainer
14	137-3711	1	Screw	34	104-8300	2	Nut-HF, NI
15	132-8989	1	Hydraulic Manifold ASM	35	100-6127	1	Sleeve-Protective
16	132-5127	1	Tee	36	132-9092	1	Plate-Switch, Proximity
17	136-0549-01	1	Lock-Tank	37	92-2379	1	Clamp-Hose
18	2412-129	6	Clamp-Hose	38	126-0416	1	Spacer
19	340-77	3	Fitting-Elbow, 90 DEG				

● Not illustrated

# LH Hydro Transaxle Assembly No. 132-8802

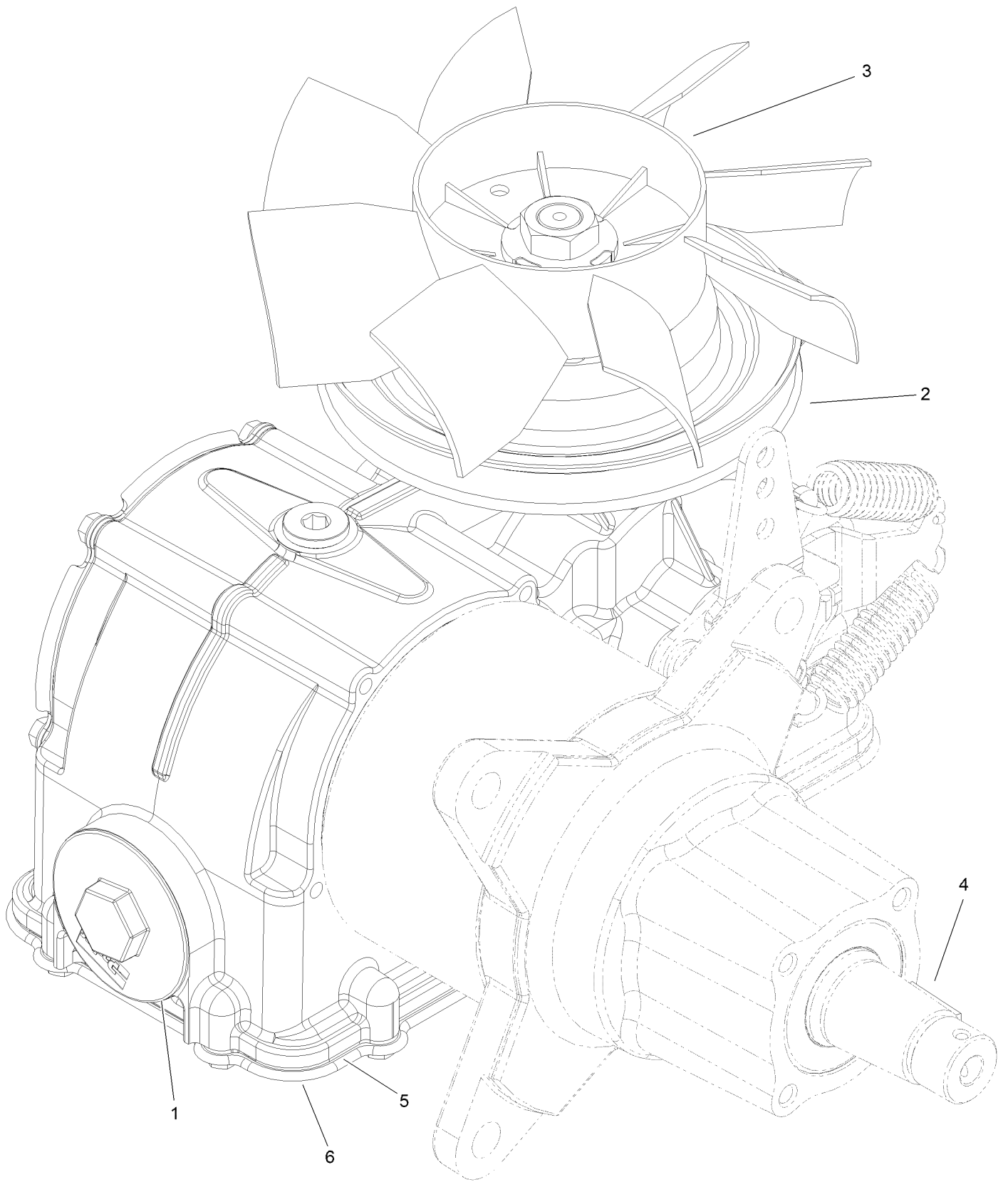




# LH Hydro Transaxle Assembly No. 132-8802 (continued)

<i>Ref.</i>	<i>Part Number</i>	<i>Qty.</i>	<i>Description</i>	<i>Ref.</i>	<i>Part Number</i>	<i>Qty.</i>	<i>Description</i>
1	137-3772	1	Filter	4	3257-42	1	Key-Woodruff
2	137-3773	1	Pulley	5	140-1148	1	Gasket-Cover, Bottom
3	137-3774	1	Fan (8.3 Inch)	6	139-7233	1	Cover-Service

# RH Hydro Transaxle Assembly No. 132-8803

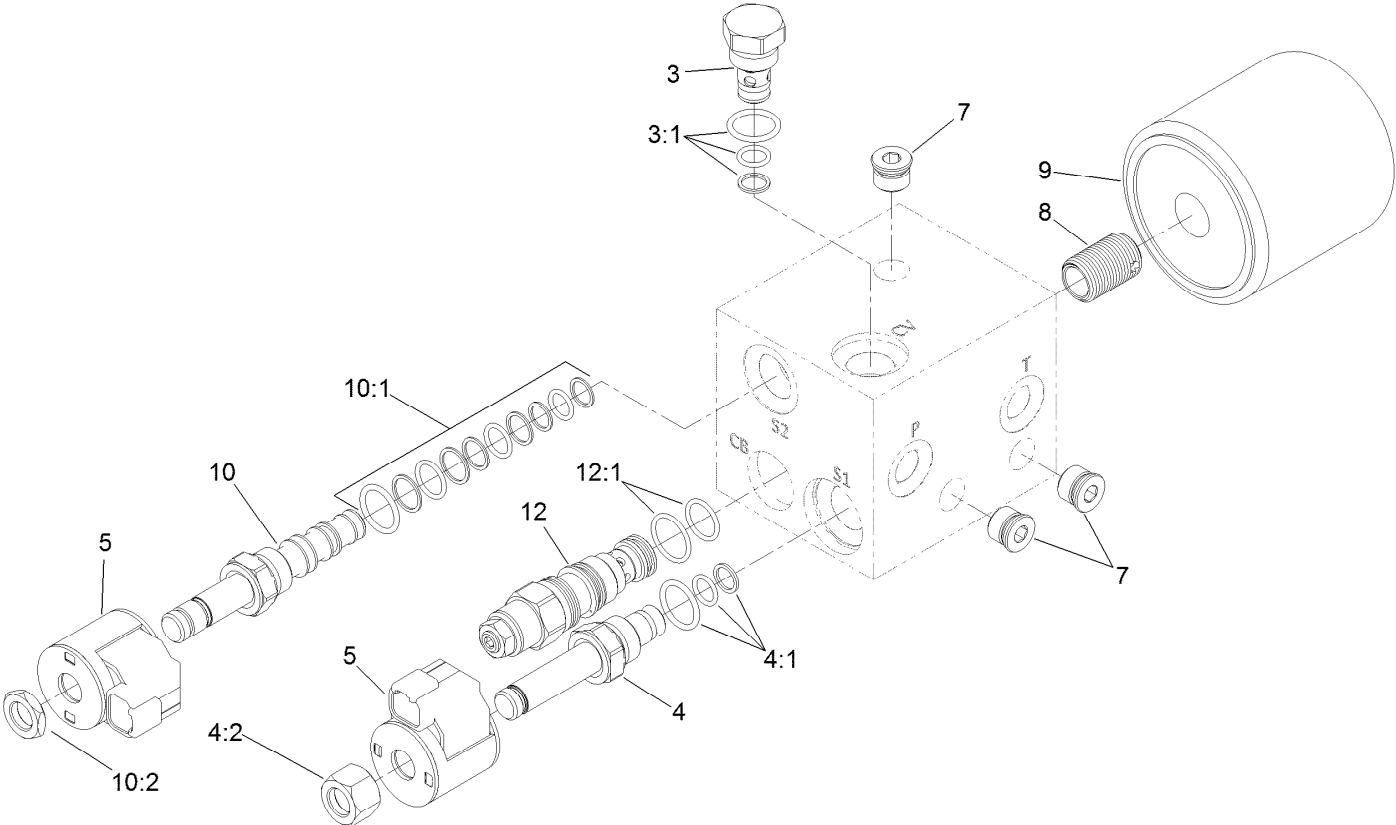


# RH Hydro Transaxle Assembly No. 132-8803 (continued)

<i>Ref.</i>	<i>Part Number</i>	<i>Qty.</i>	<i>Description</i>
1	137-3772	1	Filter
2	137-3773	1	Pulley
3	137-3774	1	Fan (8.3 Inch)

<i>Ref.</i>	<i>Part Number</i>	<i>Qty.</i>	<i>Description</i>
4	3257-42	1	Key-Woodruff
5	140-1148	1	Gasket-Cover, Bottom
6	139-7233	1	Cover-Service

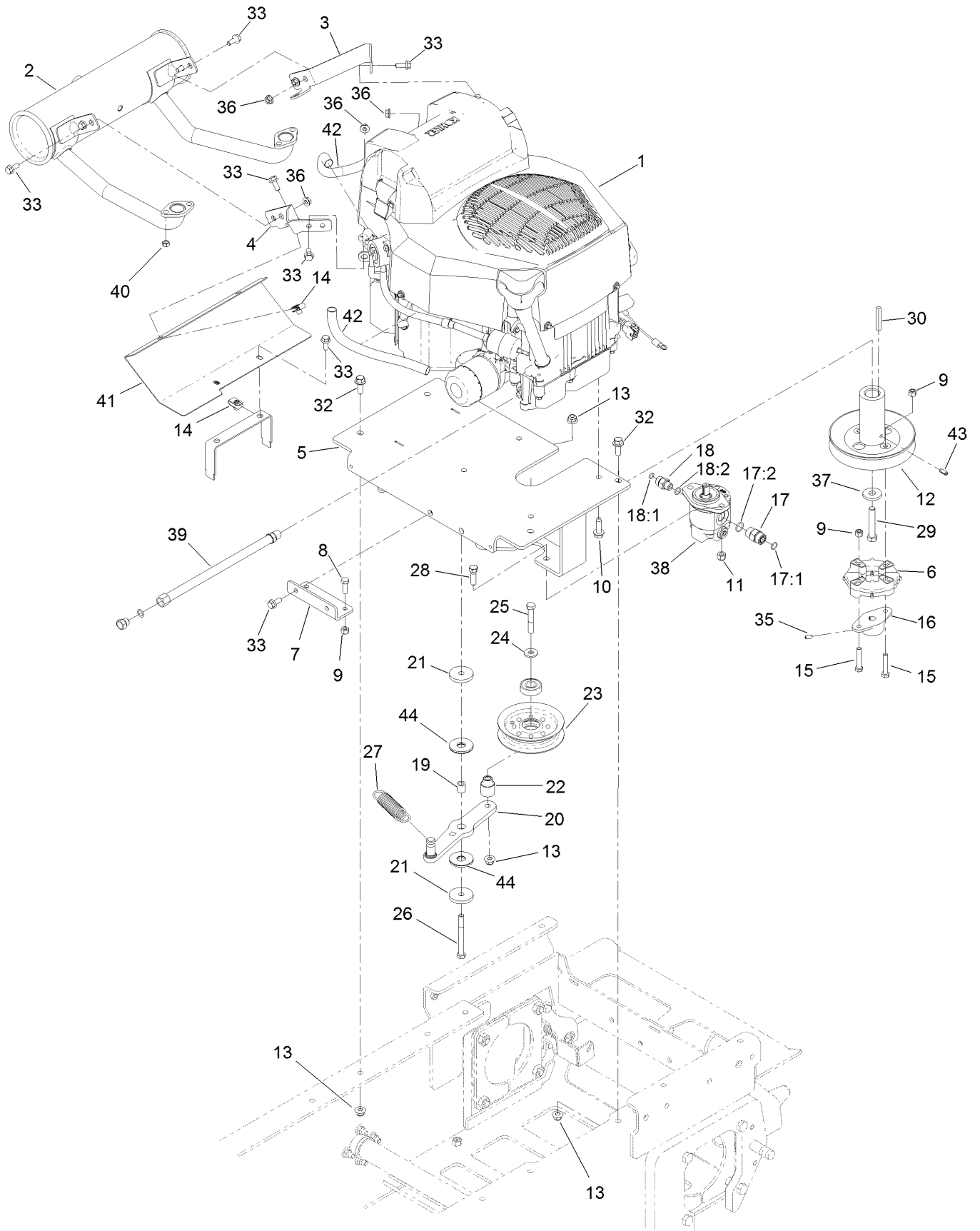
# Hydraulic Manifold Assembly No. 132-8989



# Hydraulic Manifold Assembly No. 132-8989 (continued)

<i>Ref.</i>	<i>Part Number</i>	<i>Qty.</i>	<i>Description</i>	<i>Ref.</i>	<i>Part Number</i>	<i>Qty.</i>	<i>Description</i>
3	105-9321	1	Check Valve ASM	8	127-3885	1	Nipple-Filter
3:1	105-9156	1	Seal Kit	9	1-633750	1	Filter-Oil, HYD
4	107-7517	1	Valve-Solenoid	10	120-1665	1	Valve-Solenoid
4:1	105-9156	1	Seal Kit	10:1	112-6520	1	Seal Kit
4:2	107-7812	1	Nut-Solenoid	10:2	110-2634	1	Nut-Coil
5	119-8036	2	Coil	12	114-5082	1	Valve-Balance, Counter
7	112-9213	3	Plug	12:1	114-5083	1	Seal Kit

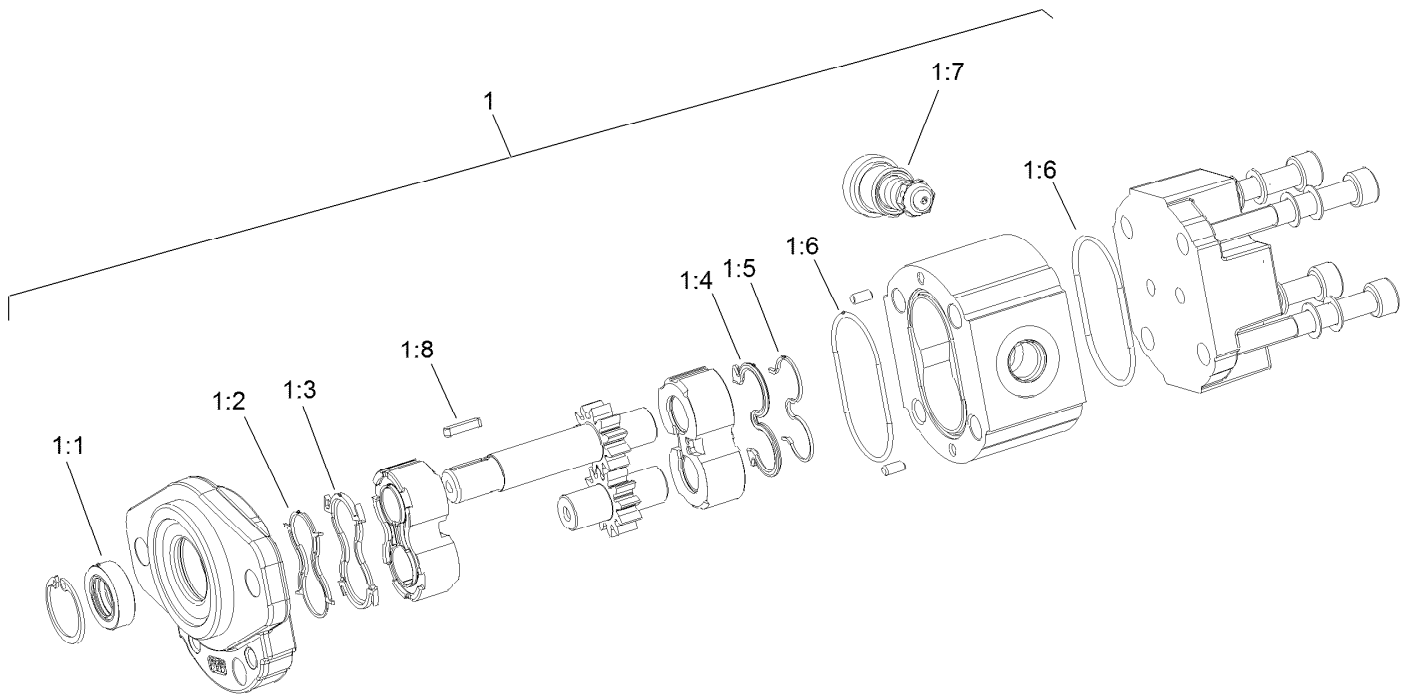
# Engine Assembly



## Engine Assembly (continued)

<i>Ref.</i>	<i>Part Number</i>	<i>Qty.</i>	<i>Description</i>	<i>Ref.</i>	<i>Part Number</i>	<i>Qty.</i>	<i>Description</i>
1	136-4610	1	Engine-Kohler, Zt740	20	132-9086-03	1	Arm-Idler
2	132-8995	1	Muffler-Kohler	21	110-9981	2	Washer-Plain
3	132-8916-03	1	Bracket-Muffler	22	132-9080	1	Bushing-Idler
4	132-8917-03	1	Bracket-Muffler	23	116-3626	1	Pulley-Idler
5	132-8907-03	1	Plate-Engine	24	80-6990	1	Washer-Hardened
6	119-0652	1	Coupler-Rubber	25	323-12	1	Screw-HH
7	132-8940-03	1	Bracket-Tank, Hydro	26	323-15	1	Screw-HH
8	322-5	2	Screw-HH	27	138-7110	1	Spring-Extension
9	3296-29	6	Nut-Lock, NI	28	323-7	2	Screw-HH
10	32144-109	4	Screw-Thd	29	3212-10	1	Screw-HH
11	3296-39	2	Nut-Lock, NI	30	103-4177	1	Key
12	132-8938	1	Pulley-Engine	32	3234-42	4	Screw-HHF
13	104-8301	6	Nut-HF, NI	33	3234-47	14	Screw-HHF
14	115-7721	4	Nut-Clip, U	35	3245-9	2	Screw-Set, HSH
15	322-9	4	Screw-HH	36	32128-26	8	Nut-Flange
16	132-9033	1	Hub-Pump	37	110-6147	1	Washer-Flat
17	340-4	1	Fitting-Straight	38	132-8954	1	Pump-Gear
17:1	237-30	1	O-Ring	39	117-1261	1	Hose-Drain, Oil
17:2	237-79	1	O-Ring	40	114-3549	4	Nut
18	340-2	1	Fitting-Straight	41	132-9000-03	1	Shield-Manifold
18:1	237-22	1	O-Ring	42	136-4617	2	Sleeve-Thermal
18:2	237-42	1	O-Ring	43	32121-134	1	Pin-Roll
19	75-5270	1	Spacer-Knob, Seat	44	114-0463	2	Washer-Friction, Composite

# Hydraulic Gear Pump Assembly No. 132-8954



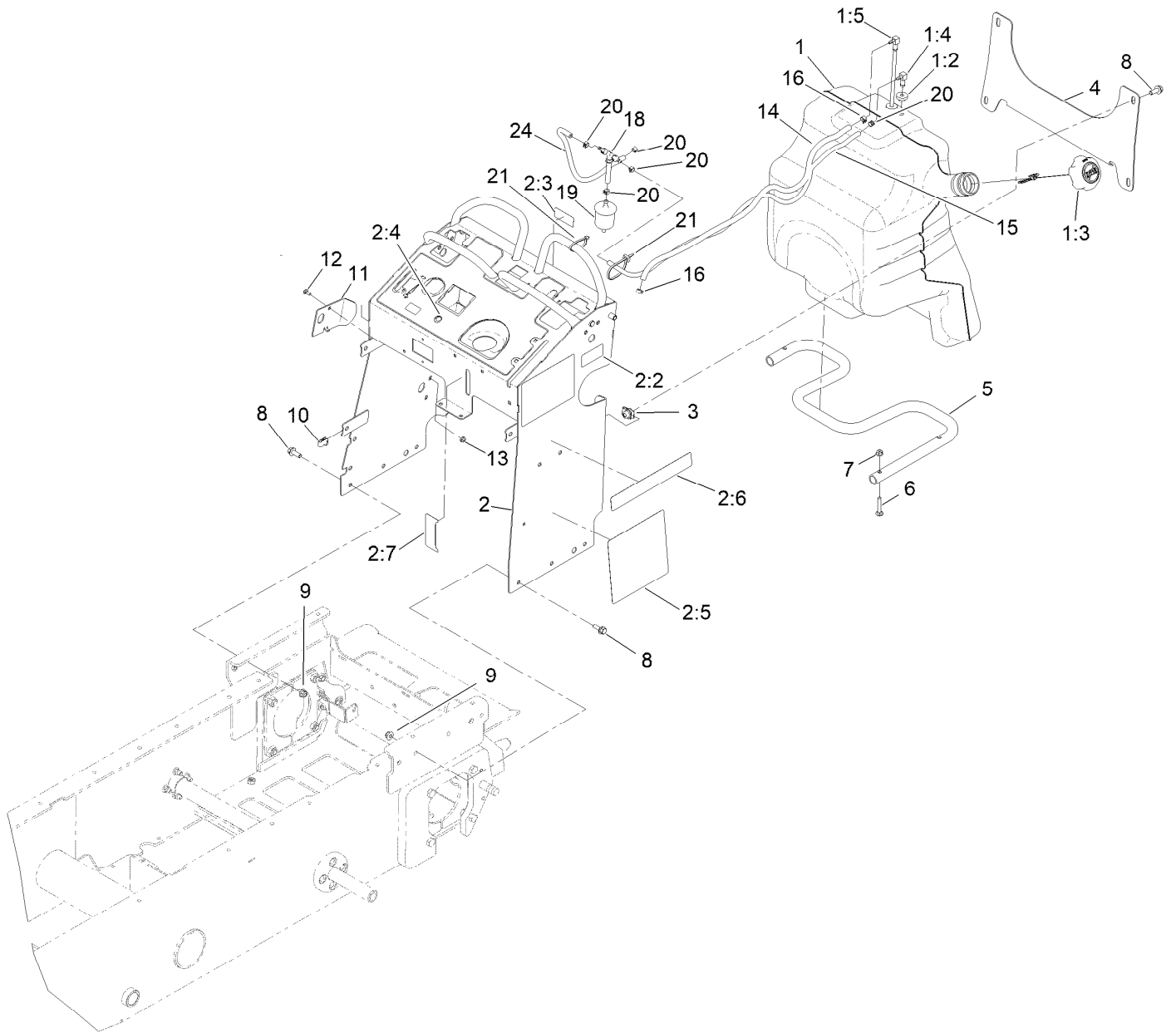


# Hydraulic Gear Pump Assembly No. 132-8954 (continued)

<i>Ref.</i>	<i>Part Number</i>	<i>Qty.</i>	<i>Description</i>	<i>Ref.</i>	<i>Part Number</i>	<i>Qty.</i>	<i>Description</i>
1	132-8969	1	Seal-Kit	1:5		1	Anti Extrusion ●
1:1		1	Shaft Seal ●	1:6		2	O-Ring Seal ●
1:2		1	Anti Extrusion ●	1:7		1	O-Ring Seal ●
1:3		1	Upper Seal ●	1:8		1	Key ●
1:4		1	Seal ●				

● Not serviced separately

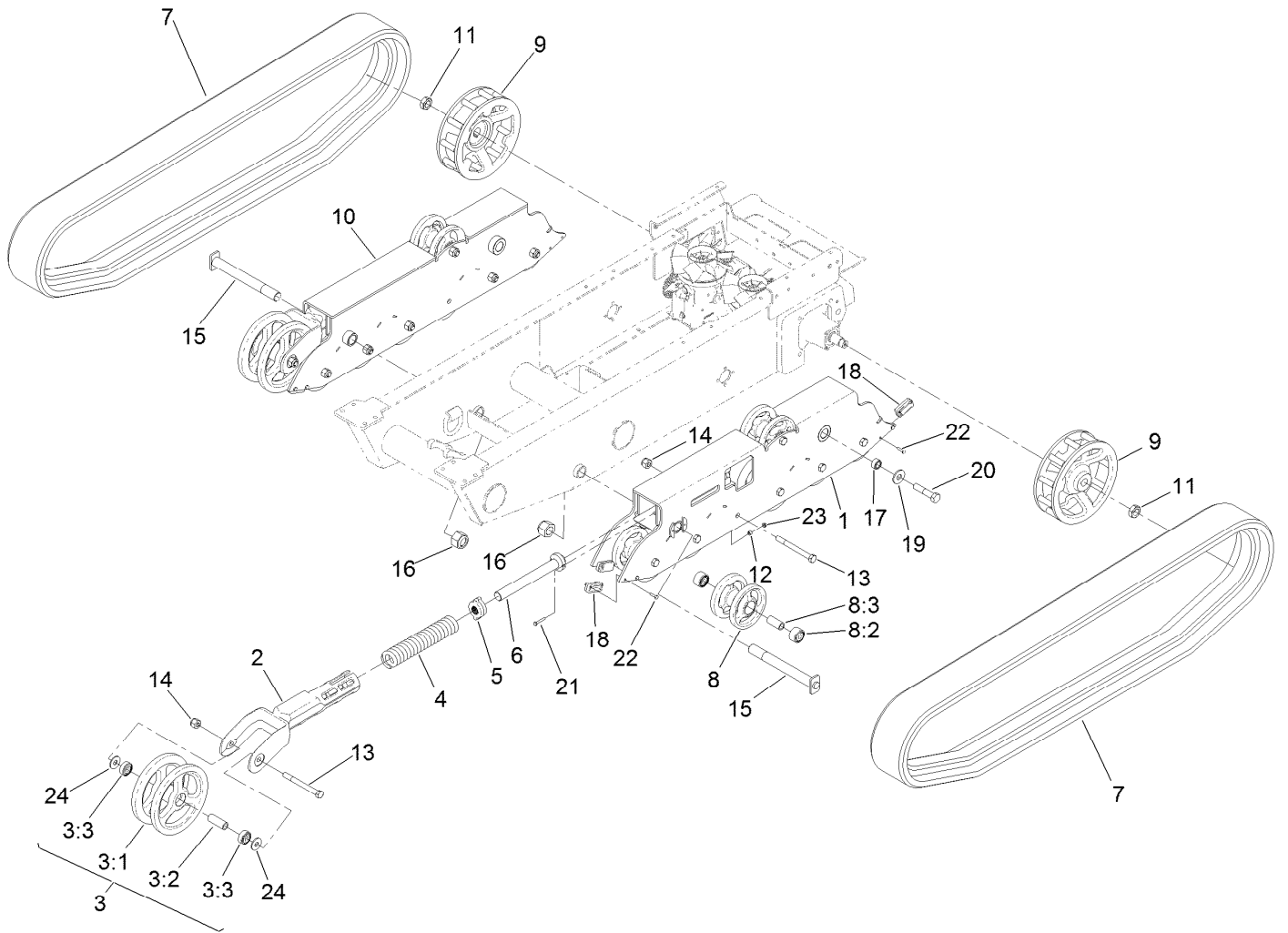
# Fuel Tank and Tower Assembly



## Fuel Tank and Tower Assembly (continued)

<i>Ref.</i>	<i>Part Number</i>	<i>Qty.</i>	<i>Description</i>	<i>Ref.</i>	<i>Part Number</i>	<i>Qty.</i>	<i>Description</i>
1	132-7560	1	Fuel Tank ASM	7	104-8300	3	Nut-HF, NI
1:2	46-6560	2	Bushing	8	3234-42	10	Screw-HHF
1:3	137-4127	1	Cap-Fuel	9	104-8301	6	Nut-HF, NI
1:4	104-5228	1	Fitting-Elbow, 90 DEG	10	115-7721	5	Nut-Clip, U
1:5	132-7559	1	Fuel Tube ASM	11	131-7455	1	Plate-Striker
2	139-7221	1	Tower ASM	12	3229-11	1	Screw-CARR
2:2	116-8775	1	Decal-Fill, Fuel	13	104-7201	1	Nut-HF
2:3	132-9052	1	Decal-Fuse	14	132-8929	1	Hose-Fuel
2:4	139-7219	1	Decal-Control Panel	15	110-3958	1	Hose-Fuel
2:5	138-7146	1	Decal-Service	16	2412-98	2	Clamp-Hose
2:6	132-9057	2	Decal	18	116-5464	1	Tee And Check
2:7	137-0575	1	Decal-Level, Oil	19	120-2235	1	Filter-Fuel
3	105-4886	4	Nut-Tinnerman	20	2412-146	5	Clamp-Hose
4	132-1145-03	1	Bracket-Cross	21	3290-378	1	Tie-Cable
5	132-5161-01	1	Tube-Mount, Fuel Tank	24	132-9046	1	Hose-Vent
6	3230-5	3	Bolt-CARR				

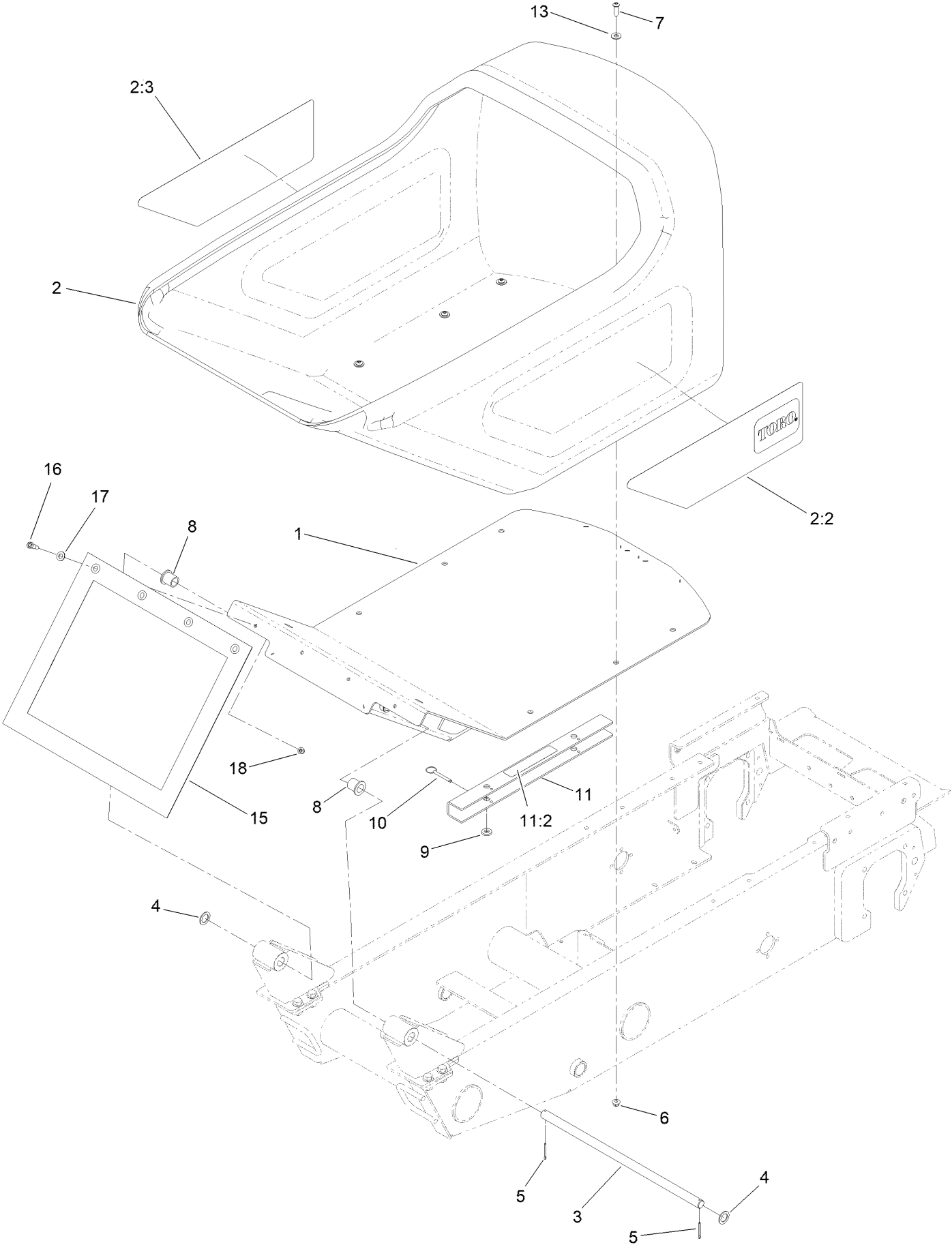
# Track Assembly



## Track Assembly (continued)

<i>Ref.</i>	<i>Part Number</i>	<i>Qty.</i>	<i>Description</i>	<i>Ref.</i>	<i>Part Number</i>	<i>Qty.</i>	<i>Description</i>
1	132-8813-03	1	Mount-Wheel, LH	11	26-3790	2	Nut-Lock
2	108-4691-03	2	Arm-Tensioner	12	98-4799	2	Spacer
3	104-5745	2	Tensioner Wheel ASM	13	327-17	16	Screw-HH
3:1	104-5747-03	1	Wheel-Tensioner	14	3296-24	16	Nut-Hex
3:2	98-9835	1	Spacer-Wheel, Tensioner	15	130-1050	2	Pin-Track
3:3	120-5378	2	Bearing-Ball	16	125-0399	2	Nut-HH
4	95-3624	2	Spring-Compression	17	132-8944	2	Spacer-Track, Outside Mount
5	108-4664	2	Block-Tensioner	18	132-6053	8	Block-Track
6	127-9563	2	Bolt-Tensioner	19	99-2659	2	Washer
7	137-8712	2	Track	20	328-5	2	Screw-HH
8	138-5231	14	Wheel ASM	21	321-37	2	Screw-HH
8:2	138-0547	2	Bearing-Ball	22	321-6	16	Screw-HH
8:3	130-7564	1	Spacer-Wheel	23	32128-32	2	Nut-HHF
9	132-8893-03	2	Wheel-Drive	24	3256-7	4	Washer-Flat
10	132-8814-03	1	Mount-Wheel, RH				

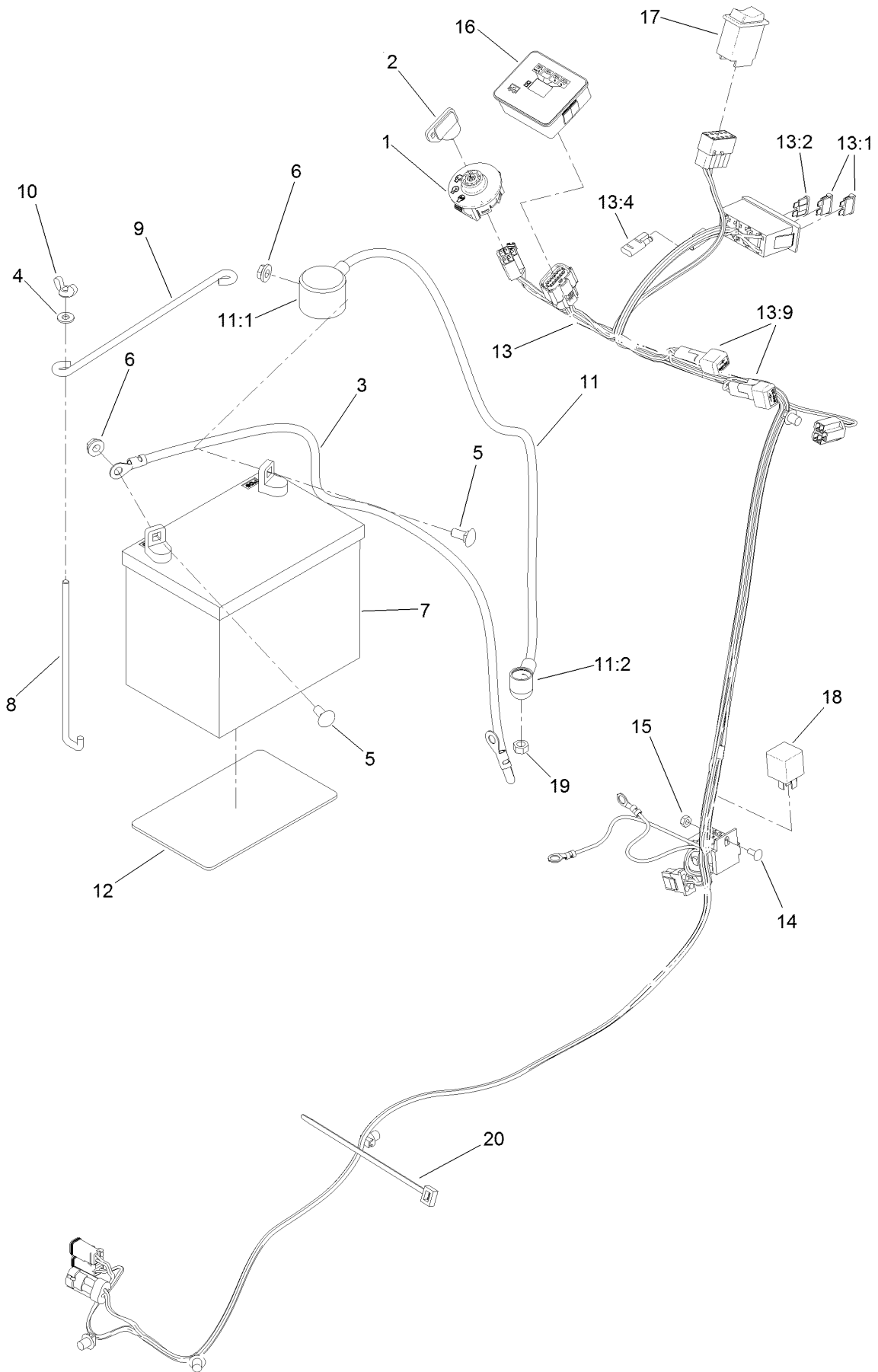
# Hopper Assembly



## Hopper Assembly (continued)

<i>Ref.</i>	<i>Part Number</i>	<i>Qty.</i>	<i>Description</i>	<i>Ref.</i>	<i>Part Number</i>	<i>Qty.</i>	<i>Description</i>
1	139-7207	1	Frame-Hopper ASM	9	83-1470	2	Washer-Neoprene
2	139-7215	1	Hopper-Mortar ASM	10	108-0094	2	Pin-Cotterless
2:2	139-7208	1	Decal-Tub, Left	11	130-5315	1	Arm-Locking
2:3	139-7209	1	Decal-Tub, Right	11:2	115-4858	1	Decal-Danger
3	132-8854	1	Shaft-Pivot,Tub	13	3256-4	6	Washer-Flat
4	99-4958	2	Spacer	15	132-9044	1	Shield-Splatter
5	3272-13	2	Pin-Cotter	16	28-0540	4	Bolt-Shoulder
6	104-8301	6	Nut-HF, NI	17	3256-25	4	Washer-Flat
7	3274-63	6	Screw-HSBH	18	104-8300	4	Nut-HF, NI
8	1-303514	2	Bearing-Flanged				

# Electrical Harness Assembly

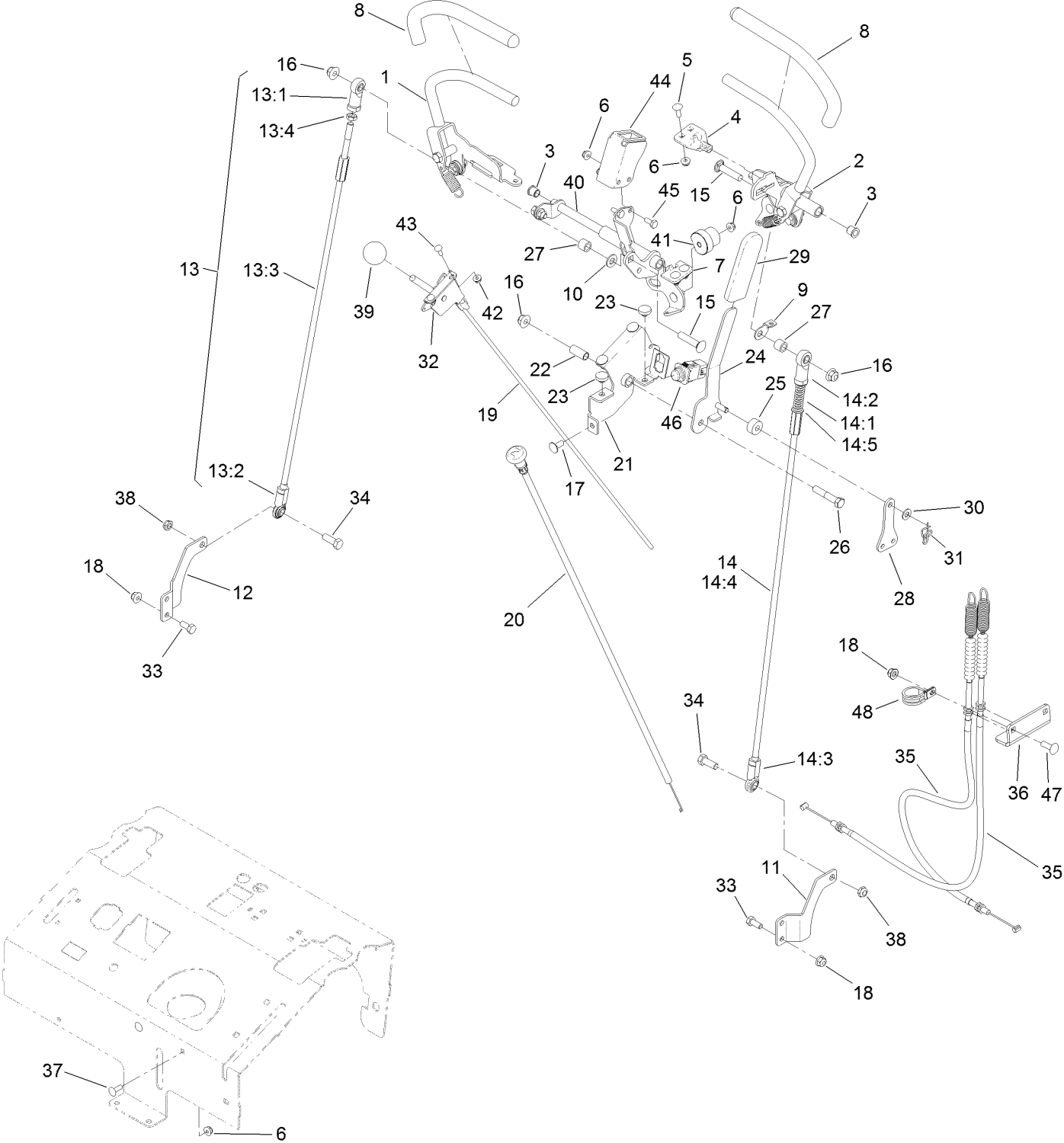




## Electrical Harness Assembly (continued)

<i>Ref.</i>	<i>Part Number</i>	<i>Qty.</i>	<i>Description</i>	<i>Ref.</i>	<i>Part Number</i>	<i>Qty.</i>	<i>Description</i>
1	137-4101	1	Switch-Ignition	12	62-4300	1	Pad-Skid, Anti
2	63-8360	1	Key-Ignition	13	138-3138	1	Harness-Wire
3	117-7240	1	Cable-Battery, Negative	13:1	109355	2	Fuse-Blade, 15 Amp
4	3256-22	2	Washer-Flat	13:2	114241	1	Fuse-Blade, 7.5 Amp
5	3230-1	2	Bolt-CARR	13:4	116-0053	1	Cap-Plug
6	32128-20	2	Nut-HF	13:9	100-4918	2	Diode
7	99-7421	1	Battery	14	1-807513	1	Bolt-CARR
8	100-6435	2	Post-Battery	15	3296-2	1	Nut-Lock, NI
9	100-6434	1	Rod-Hold Down, Battery	16	132-8959	1	Module, Hour Meter
10	32103-22	2	Nut-Wing	17	AU113664	1	Switch-Rocker, 2 Pole
11	109-7630	1	Positive Battery Cable ASM	18	1-643275	1	Relay
11:1	109-2407	1	Insulator-Battery	19	33014-00	1	Nut-Hex
11:2	1-543393	1	Insulator-Solenoid	20	3290-378	1	Tie-Cable

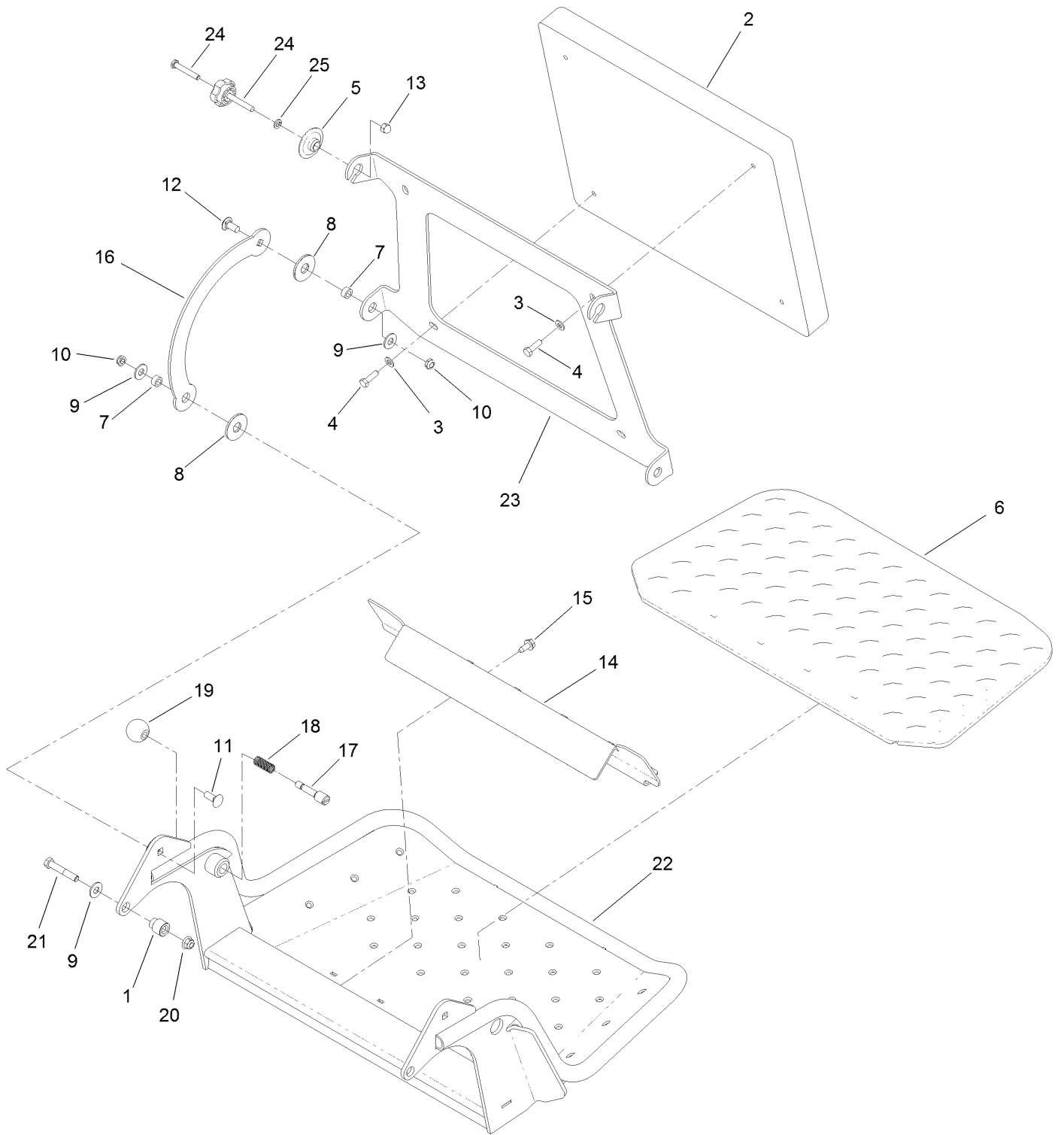
# Control Assembly



## Control Assembly (continued)

<i>Ref.</i>	<i>Part Number</i>	<i>Qty.</i>	<i>Description</i>	<i>Ref.</i>	<i>Part Number</i>	<i>Qty.</i>	<i>Description</i>
1	132-9048	1	RH Control Handle ASM	21	132-8919-03	1	Bracket-Brake, Pivot
2	132-9047	1	LH Control Handle ASM	22	131-3562	1	Bearing-Sleeve
3	103-9928	2	Bearing	23	1-513658	2	Bumper
4	120-3288	1	Tab-Pivot, LH	24	132-8920-03	1	Handle-Arm, Brake
5	3229-1	4	Screw-CARR	25	132-9064	1	Bushing-Brake
6	104-7201	10	Nut-HF	26	323-10	1	Screw-HH
7	120-3287	1	Tab-Pivot, RH	27	93-9847	2	Spacer
8	119-0222	2	Grip	28	132-1188	1	Yoke-Cable
9	132-7538	1	Bracket-Adjustment, Speed	29	1-633268	1	Grip-Lever
10	3256-24	1	Washer-Flat	30	93-6079	1	Spacer-Nylon
11	131-5748-03	1	Bracket-Hydro, LH	31	112-1491	1	Pin-Cotter
12	131-5747-03	1	Bracket-Hydro, RH	32	110-5547	1	Lever-Control
13	138-8642	1	RH Control Rod ASM	33	322-3	5	Screw-HH
13:1	92-7008	1	End-Rod, Female	34	323-6	2	Screw-HH
13:2	103-1167	1	Joint-Ball End, LH	35	132-8921	2	Cable-Brake
13:3	138-8641	1	Rod-Control	36	132-8923-03	1	Bracket-Cable, Brake
13:4	3220-3	1	Nut-HJ	37	3229-25	2	Screw-CARR
14	138-8643	1	LH Control Rod ASM	38	3296-59	2	Nut-Lock, NI
14:1	1-603807	1	Spring-Return, Neutral	39	1-603175	1	Knob-Ball
14:2	92-7008	1	End-Rod, Female	40	132-9029-03	1	Pivot/Plate Switch ASM
14:3	103-1167	1	Joint-Ball End, LH	41	126-1499	2	Cam
14:4	138-8641	1	Rod-Control	42	32128-17	2	Nut-Lock, Flange
14:5	3256-45	2	Washer-Flat	43	1-807533	2	Bolt-CARR
15	3231-29	2	Screw-CARR	44	132-9027-03	1	Bracket-Switch
16	104-8301	3	Nut-HF, NI	45	321-3	2	Screw-HH
17	3230-23	3	Screw-CARR	46	100-1268	1	Switch-Plunger
18	104-8300	10	Nut-HF, NI	47	3230-22	2	Screw-CARR
19	115-1211	1	Cable-Control	48	2412-104	1	Clamp-R
20	132-9035	1	Cable-Choke				

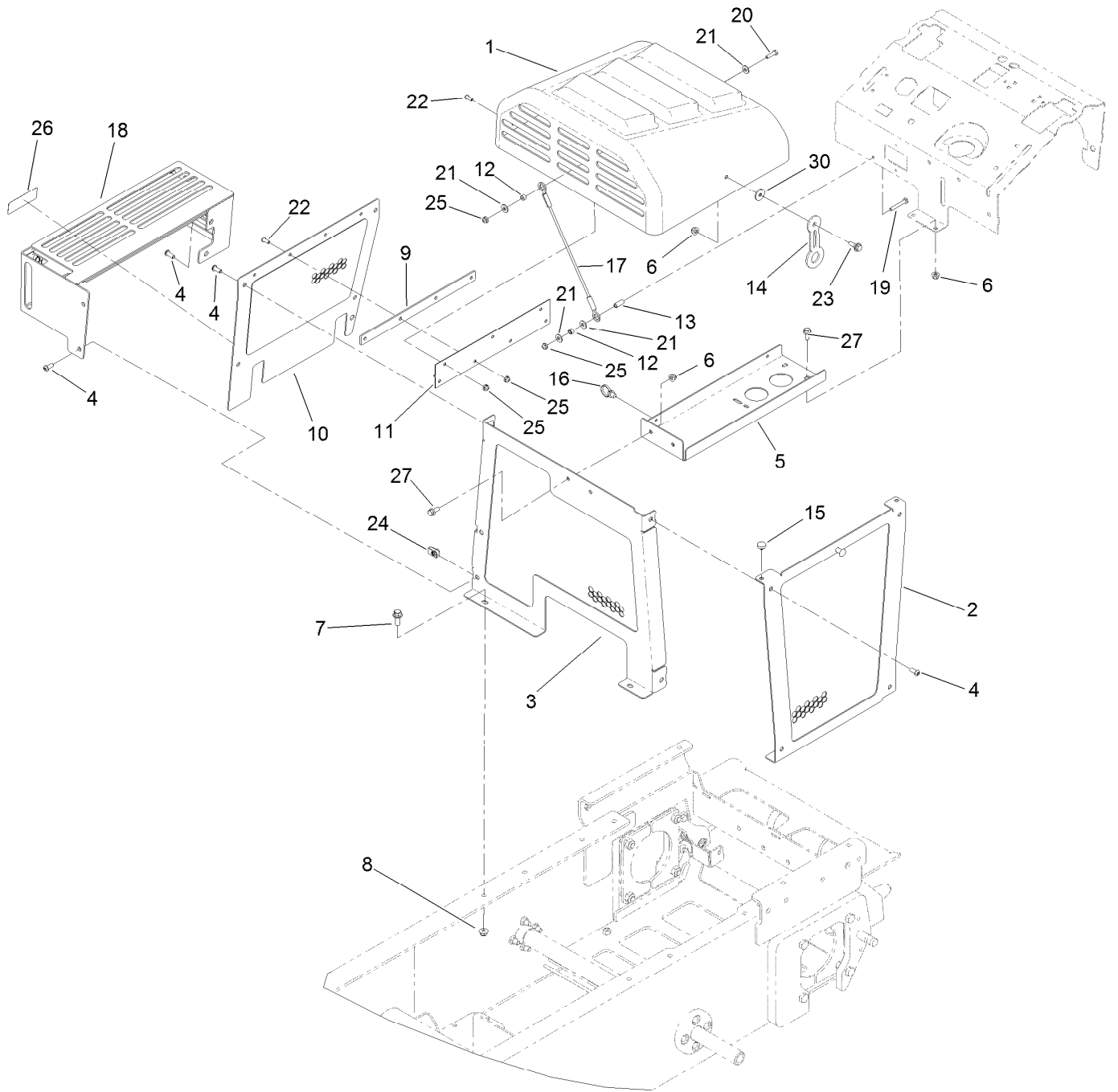
# Platform Assembly



## Platform Assembly (continued)

<i>Ref.</i>	<i>Part Number</i>	<i>Qty.</i>	<i>Description</i>	<i>Ref.</i>	<i>Part Number</i>	<i>Qty.</i>	<i>Description</i>
1	132-7583	2	Bushing-Flanged	14	136-5669-03	1	Clamp-Shield
2	117-9739	1	Pad-Cushion	15	32144-70	2	Screw-HWHTF
3	3256-23	4	Washer-Plain	16	114-1915-03	2	Link-Pad
4	121-7999	4	Screw-HH	17	119-8650	1	Pin-Latch
5	116-2886	2	Slide-Bushing	18	114-5348	1	Spring
6	126-7157	1	Mat-Platform	19	1-603175	1	Knob-Ball
7	111044	4	Spacer	20	104-8301	2	Nut-HF, NI
8	114-0463	4	Washer-Friction, Composite	21	323-11	2	Screw-HH
9	3256-4	6	Washer-Flat	22	120-8475-03	1	Platform ASM
10	3296-59	4	Nut-Lock, NI	23	120-8499-03	1	Hinge-Pad
11	3231-2	2	Bolt-CARR	24	133-1426	2	Knob
12	3231-27	2	Screw-CARR	25	3253-4	2	Washer-Lock
13	137-4808	2	Nut-Acorn				

# Hood Assembly



## Hood Assembly (continued)

<i>Ref.</i>	<i>Part Number</i>	<i>Qty.</i>	<i>Description</i>	<i>Ref.</i>	<i>Part Number</i>	<i>Qty.</i>	<i>Description</i>
1	132-8990	1	Hood	15	1-513658	2	Bumper
2	132-8886-01	1	Panel-Side, LH	16	32180-118	2	Clip-Tie
3	132-8887-01	1	Panel-Front	17	130-5726	1	Lanyard
4	3274-55	14	Screw-HSBH	18	136-4592-01	1	Guard-Muffler
5	132-8876-03	1	Platform-Battery	19	321-10	1	Screw-HH
6	104-8300	5	Nut-HF, NI	20	120-4654	1	Screw-HHF
7	3234-42	2	Screw-HHF	21	3256-2	4	Washer-Flat
8	104-8301	2	Nut-HF, NI	22	32105-15	7	Screw-HWH
9	132-9050-03	1	Plate-Spacer, Hood	23	116-2670	1	Screw-Shoulder
10	132-3905-01	1	Panel-Side, Upper	24	115-7721	6	Nut-Clip, U
11	132-9021	1	Hinge-Hood	25	104-7201	9	Nut-HF
12	55-9370	2	Spacer-Blade, Rotor	26	133-8062	1	Decal-Arrestor, Spark
13	87-4710	1	Spacer-Brake, Parking	27	3234-47	2	Screw-HHF
14	ST47182	1	Latch-Rubber	30	115-7109	1	Washer-Flat

# Attachments and Accessories

## For 68138 MB TX 2500 Tracked Mud Buggy

**Product Name**

**Model/Part**

Light Kit.....	137-0558
Spark Arrestor .....	98-9099



**Notes:**

**Notes:**

**Notes:**



**Count on it.**