



**Count on it.**

**Parts Catalog**

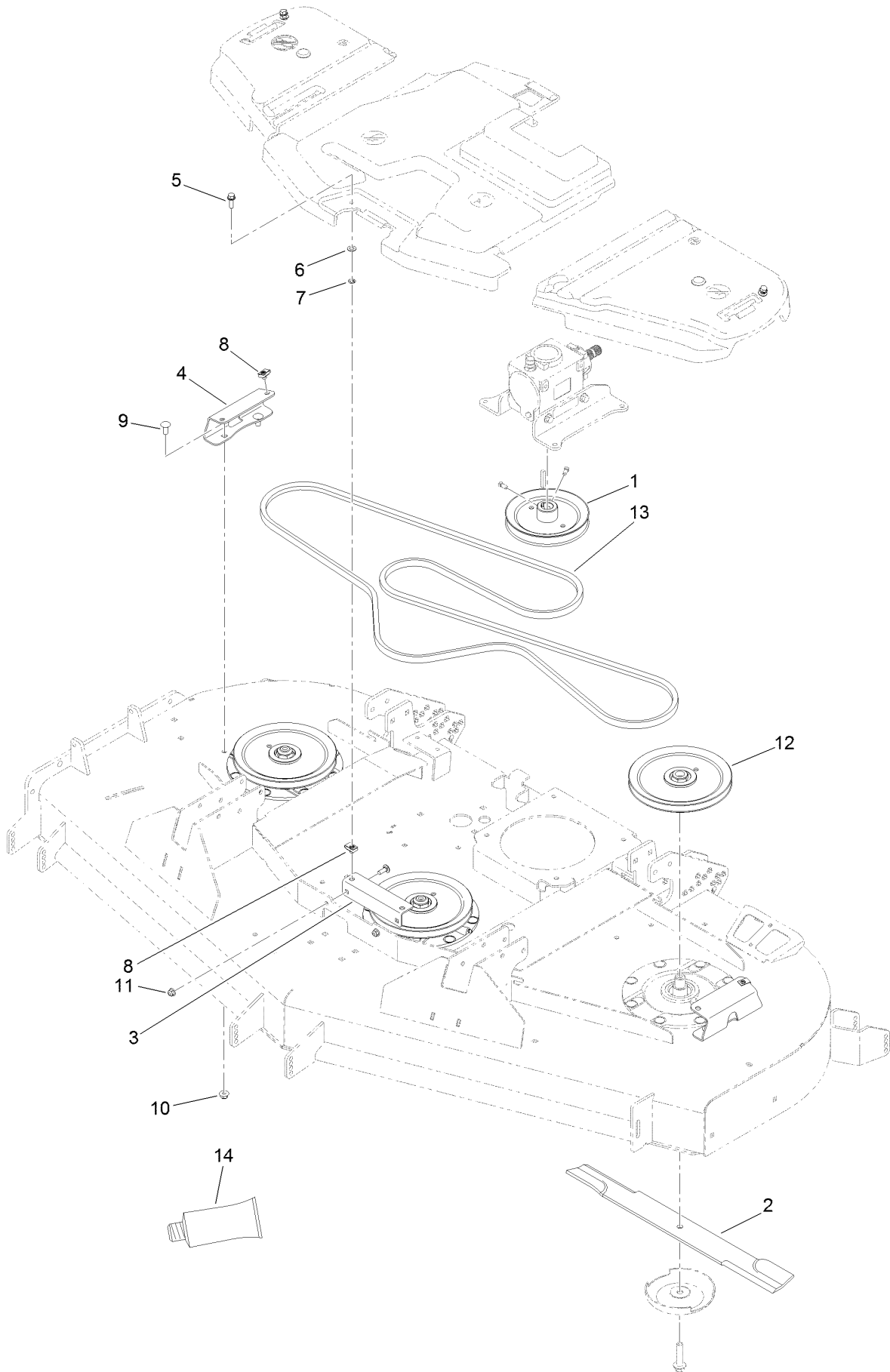
**CE Kit**

**Groundsmaster® 3200 or 3300 Series 60in  
Side Discharge Rotary Mower**

Model No. 31957



# CE Kit Assembly



## CE Kit Assembly (continued)

<i>Ref.</i>	<i>Part Number</i>	<i>Qty.</i>	<i>Description</i>	<i>Ref.</i>	<i>Part Number</i>	<i>Qty.</i>	<i>Description</i>
1	140-9038	1	Pulley	7	117-2749	3	Nut-Push
2	140-3059-03	3	Blade-Rotary, 20.5 Low Flow	8	94-2413	3	Nut-U
3	140-3066-03	1	Bracket-Belt Cover, Middle (CE)	9	3231-27	4	Screw-CARR
4	114-5882-01	2	Bracket-Cover, Belt	10	104-8301	4	Nut-HF, NI
5	3234-29	3	Screw-HHF	11	104-8300	2	Nut-HF, NI
6	73-0041	3	Washer-Thrust	12	138-4521	3	Pulley ASM
				13	140-3083	1	Belt-B Section
				14	505-76	1	Locktite 243 (.02 Oz Tube)



**Count on it.**