



Count on it.

Parts Catalog

**Workman® GTX EFI
Utility Vehicle**

Model No. 07409—Serial No. 406711332 and Up



Ordering Replacement Parts

To order replacement parts, please supply the part number, the quantity, and the description of each part desired.

Understanding Reference Numbers

Each identified part in an illustration has a reference number. The reference number for a part also appears in the parts list, along with other information about the part.

This catalog uses two special reference number formats, one to indicate parts in a service assembly and another to indicate the quantity of a given part in an illustration.

Service Assembly Reference Numbers

Parts in service assemblies have reference numbers in the form a:b. The a represents the reference number of the entire service assembly and the b represents a sequential number unique to each part within the service assembly.

For example, a wheel assembly might be identified by reference number 6, the tire by 6:1, the valve by 6:2, and the wheel by 6:3. When you order the assembly identified by reference number 6, you receive all parts identified by reference numbers 6:1, 6:2, and 6:3. However, you may also order any part individually. Reference numbers of this type appear in illustration and in parts lists.

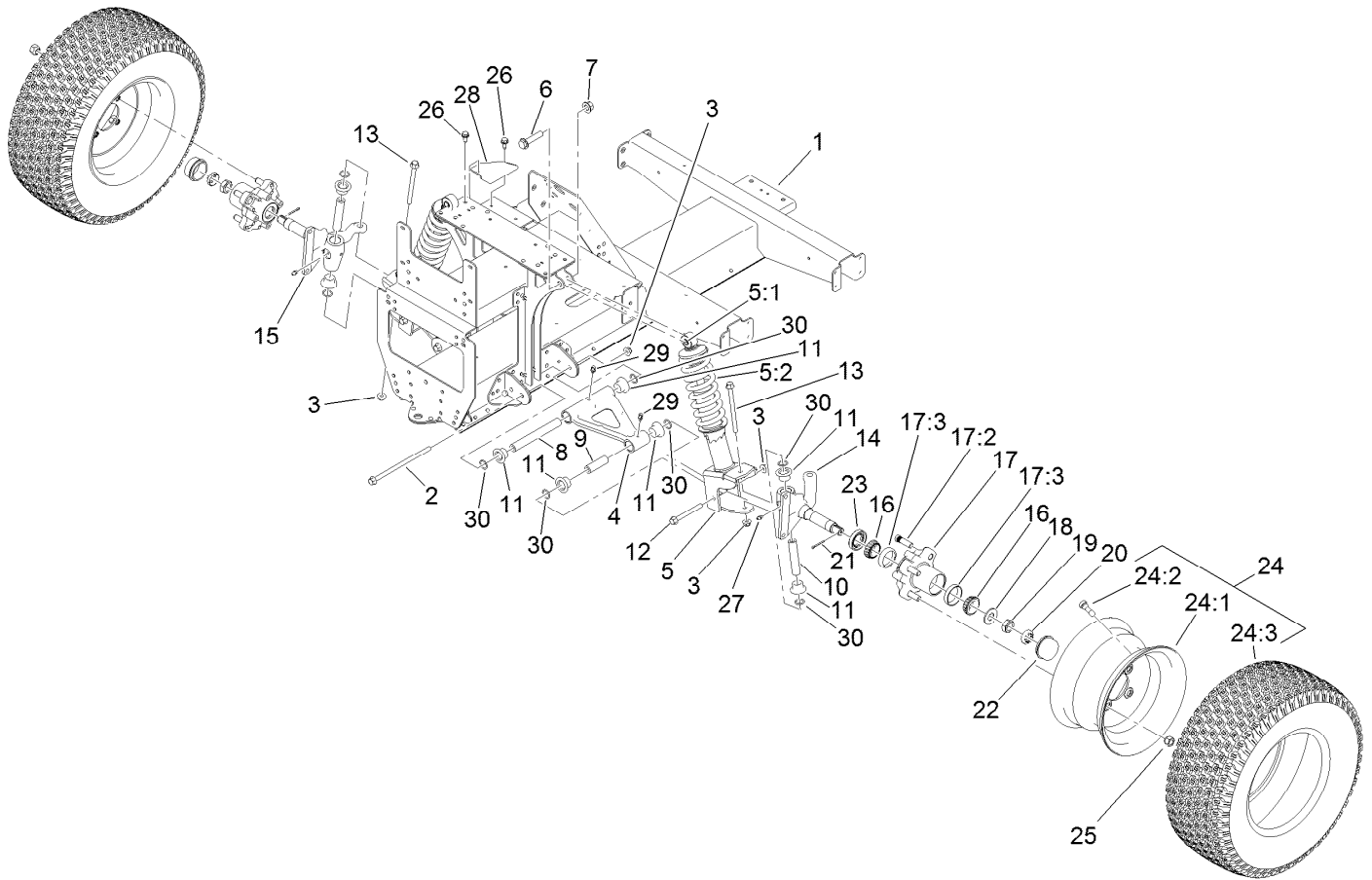
Reference Numbers Indicating Quantity

In an illustration, if a reference number indicates more than one part, the reference number has the form nX y. The n represents the quantity of the part, the X is the multiplication symbol, and the y represents the reference number.

For example, in an illustration, the reference number 2X 37 means that two of the parts identified by reference number 37 are indicated.

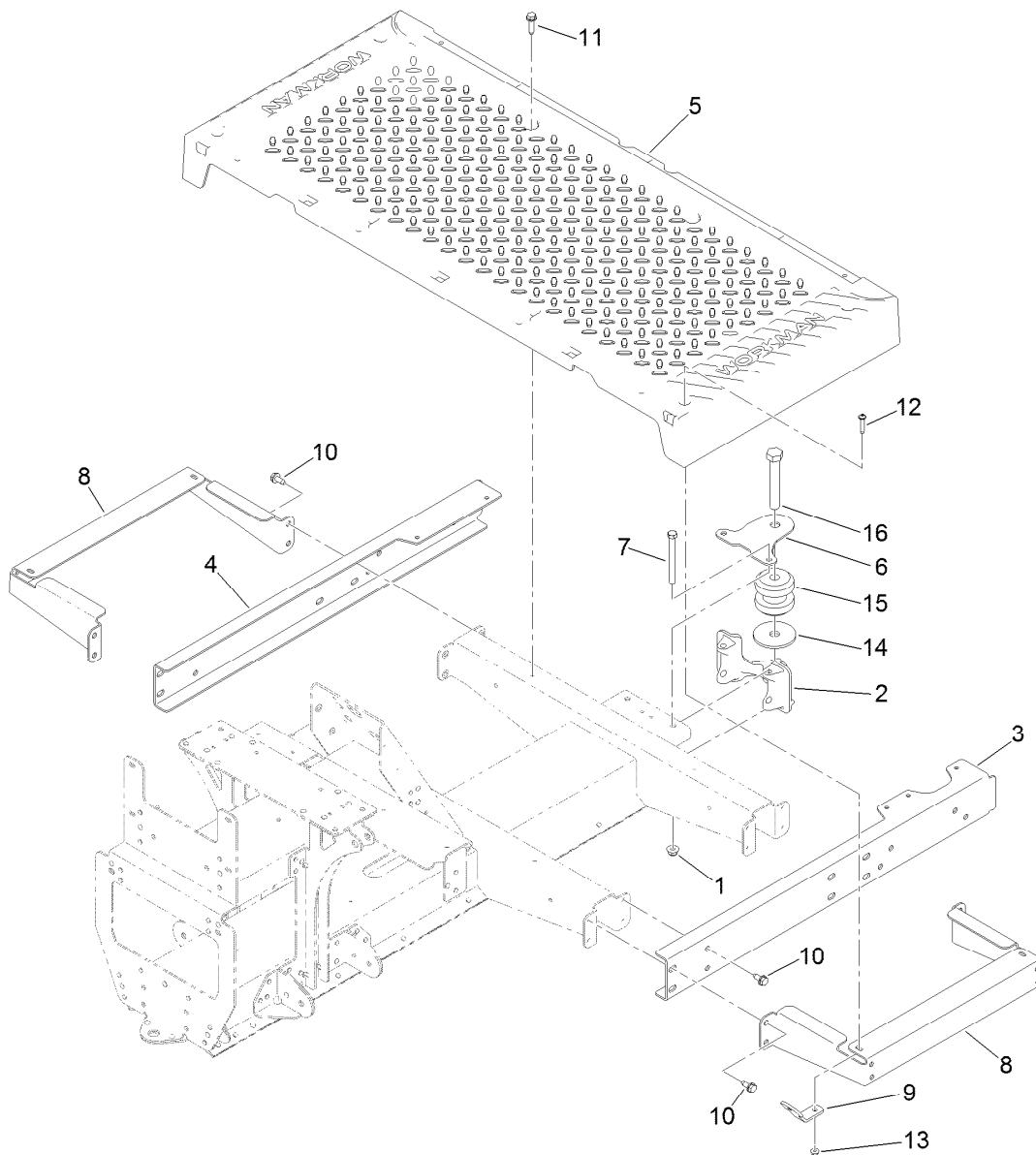
Contents

| | |
|----------------------------------------------------------|----|
| Front Frame and Suspension Assembly | 4 |
| Floor Plate and Rear Suspension Mount Assembly | 5 |
| Rear Frame and Suspension Assembly | 6 |
| Frame Mount and Rear Shock/Spring Assembly | 7 |
| Brake Assembly | 8 |
| Master Cylinder Assembly No. 104-6782 | 9 |
| Brake Caliper Assembly No. 140-2575 | 10 |
| Steering Assembly | 11 |
| Pedal and Control Assembly | 12 |
| Hood and Fender Assembly | 14 |
| Dash Assembly | 15 |
| Seatbase Assembly | 16 |
| Cargo Bed Assembly | 17 |
| Engine Assembly | 18 |
| Starter Generator Assembly No. 131-8444 | 20 |
| Secondary Clutch Assembly No. 119-6011 | 21 |
| Air Cleaner Assembly No. 138-3447 | 22 |
| Primary Clutch Assembly No. 138-0095 | 23 |
| Rear Wheel and Transaxle Assembly | 24 |
| Battery and Cable Assembly | 25 |
| Transaxle Assembly No. 131-3486 | 26 |
| Electrical Assembly | 28 |
| Fuel System Assembly | 29 |
| Engine Assembly No. 137-9893 | 31 |
| Engine Assembly No. 137-9893 | 34 |
| Attachments and Accessories | 36 |



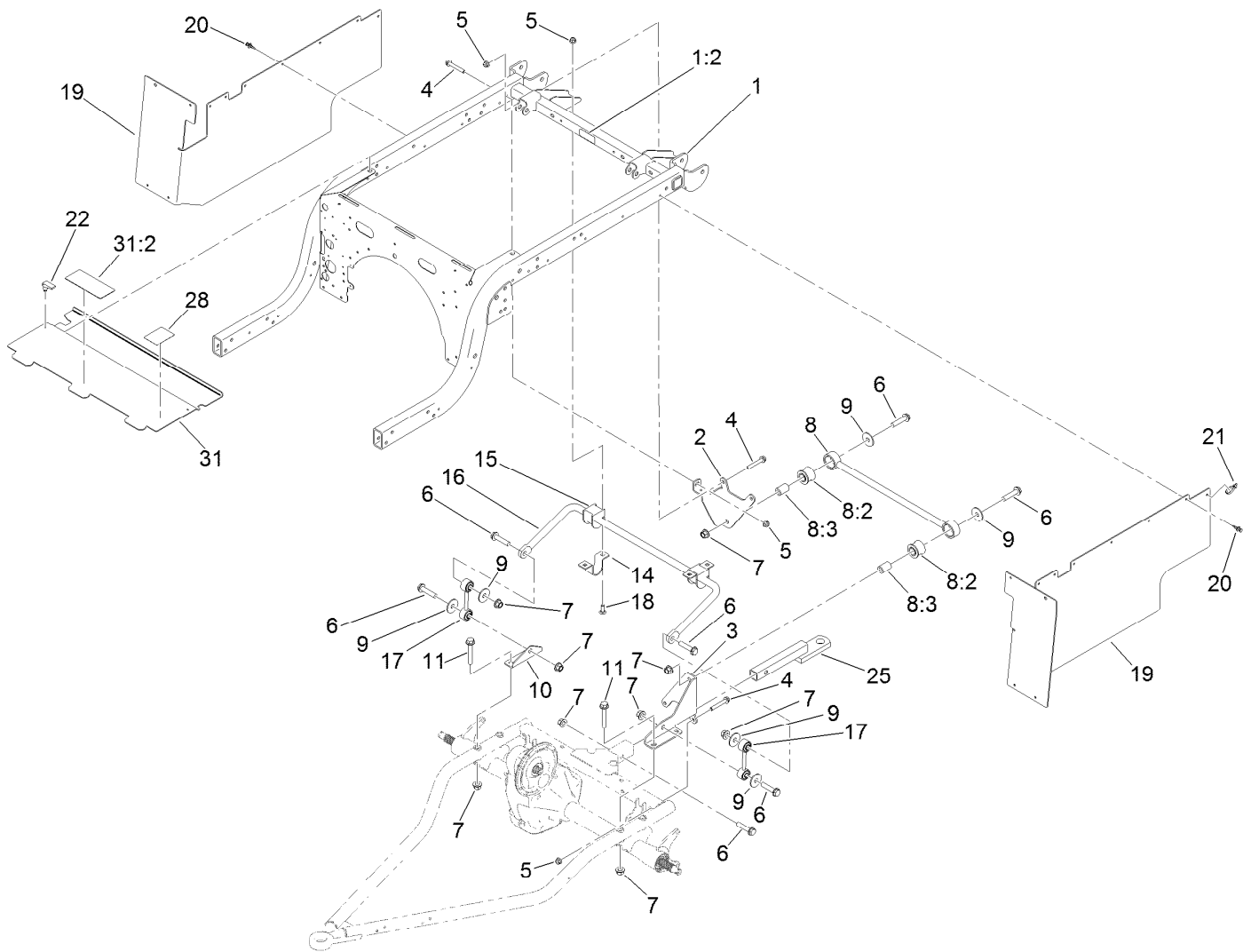
Front Frame and Suspension Assembly

| Ref. | Part Number | Qty. | Description | Ref. | Part Number | Qty. | Description |
|------|-------------|------|---------------------------------------|------|-------------|------|----------------------|
| 1 | 127-7718-03 | 1 | Frame-Front | 17 | 127-8851 | 2 | Front Hub ASM |
| 2 | 139-3360 | 2 | Screw-HF | 17:2 | 10-6830 | 4 | Stud-Type, Drive |
| 3 | 139-3380 | 6 | Nut-HF | 17:3 | 254-72 | 2 | Bearing-Cup, Tapered |
| 4 | 139-4465 | 2 | A-Arm | 18 | 93-0309 | 2 | Washer-Tab |
| 5 | 139-4484 | 2 | Strut ASM, 250 Lb (16.33" EXT Length) | 19 | 3220-7 | 2 | Nut-Jam |
| 5:1 | 131-8574 | 1 | Isolator-Shock | 20 | 93-0307 | 2 | Nut-Lock, Retainer |
| 5:2 | 137-6719 | 1 | Spring-Compression, 250Lb | 21 | 3272-12 | 2 | Pin-Cotter |
| 6 | 3234-46 | 2 | Screw-HHF | 22 | 241-119 | 2 | Cap-Dust |
| 7 | 99-5107 | 2 | Nut-Lock | 23 | 112-1690 | 2 | Seal-Oil |
| 8 | 131-8581 | 2 | Sleeve-Control Arm, Inner | 24 | 139-4495 | 2 | Wheel And Tire ASM |
| 9 | 131-8583 | 2 | Sleeve-Control Arm, Outer | 24:1 | 131-8317 | 1 | Wheel |
| 10 | 131-8582 | 2 | Sleeve-Kingpin | 24:2 | 232-27 | 1 | Stem-Valve |
| 11 | 133-0643 | 12 | Bushing-Flange, O-Ring | 24:3 | 139-4475 | 1 | Tire-20 X 8.00-10 |
| 12 | 139-3370 | 2 | Screw-HF | 25 | 242-50 | 8 | Nut-Lug |
| 13 | 139-3350 | 2 | Screw-HF | 26 | 32144-70 | 2 | Screw-HWHTF |
| 14 | 127-8825-03 | 1 | Spindle-LH | 27 | 302-5 | 2 | Fitting-Grease |
| 15 | 127-8826-03 | 1 | Spindle-RH | 28 | 131-8339-03 | 1 | Reinforcement-Tower |
| 16 | 254-94 | 4 | Bearing-Cone, Tapered | 29 | 302-60 | 4 | Fitting-Grease |
| | | | | 30 | 237-54 | 12 | O-Ring |



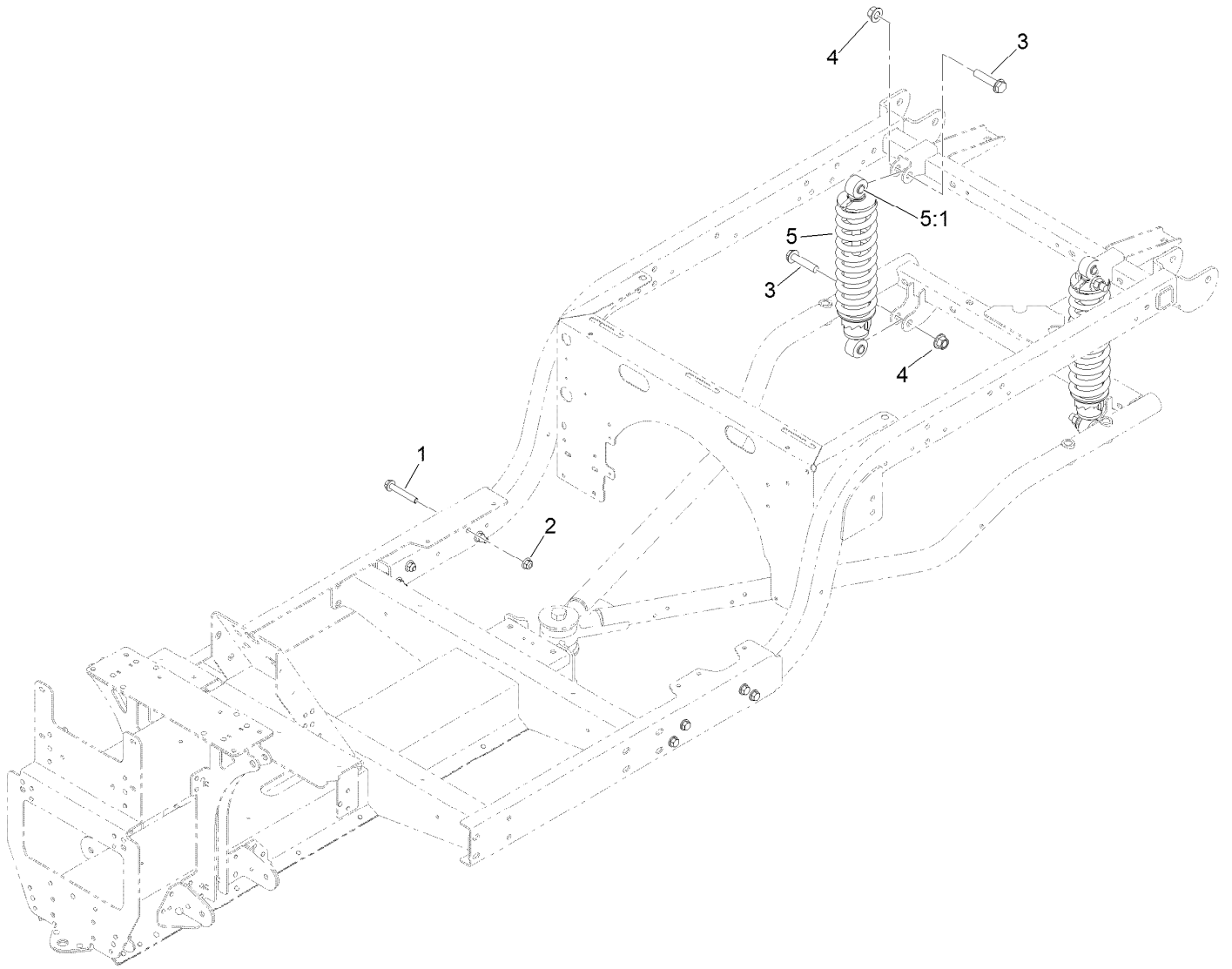
Floor Plate and Rear Suspension Mount Assembly

| <i>Ref.</i> | <i>Part Number</i> | <i>Qty.</i> | <i>Description</i> | <i>Ref.</i> | <i>Part Number</i> | <i>Qty.</i> | <i>Description</i> |
|-------------|--------------------|-------------|------------------------------|-------------|--------------------|-------------|--------------------|
| 1 | 104-8301 | 2 | Nut-HF, NI | 9 | 127-7832 | 2 | Bracket-Angle |
| 2 | 131-8466 | 1 | Mount-Suspension, Rear | 10 | 32144-70 | 16 | Screw-HWHTF |
| 3 | 127-7820-03 | 1 | Channel-Frame, Front (LH) | 11 | 32144-49 | 4 | Screw-HWHTF |
| 4 | 127-7821-03 | 1 | Channel-Frame, Front (RH) | 12 | 132-6777 | 4 | Screw-TTH |
| 5 | 127-7829 | 1 | Plate-Floor | 13 | 104-7201 | 4 | Nut-HF |
| 6 | 131-8597 | 1 | Plate-Gimbal, Upper | 14 | 110-4549 | 1 | Washer-Snubbing |
| 7 | 323-42 | 2 | Screw-HH | 15 | 131-8480 | 1 | Isolator |
| 8 | 127-7837-03 | 2 | Bracket-Support, Floor Plate | 16 | 104-5877 | 1 | Screw-HH |



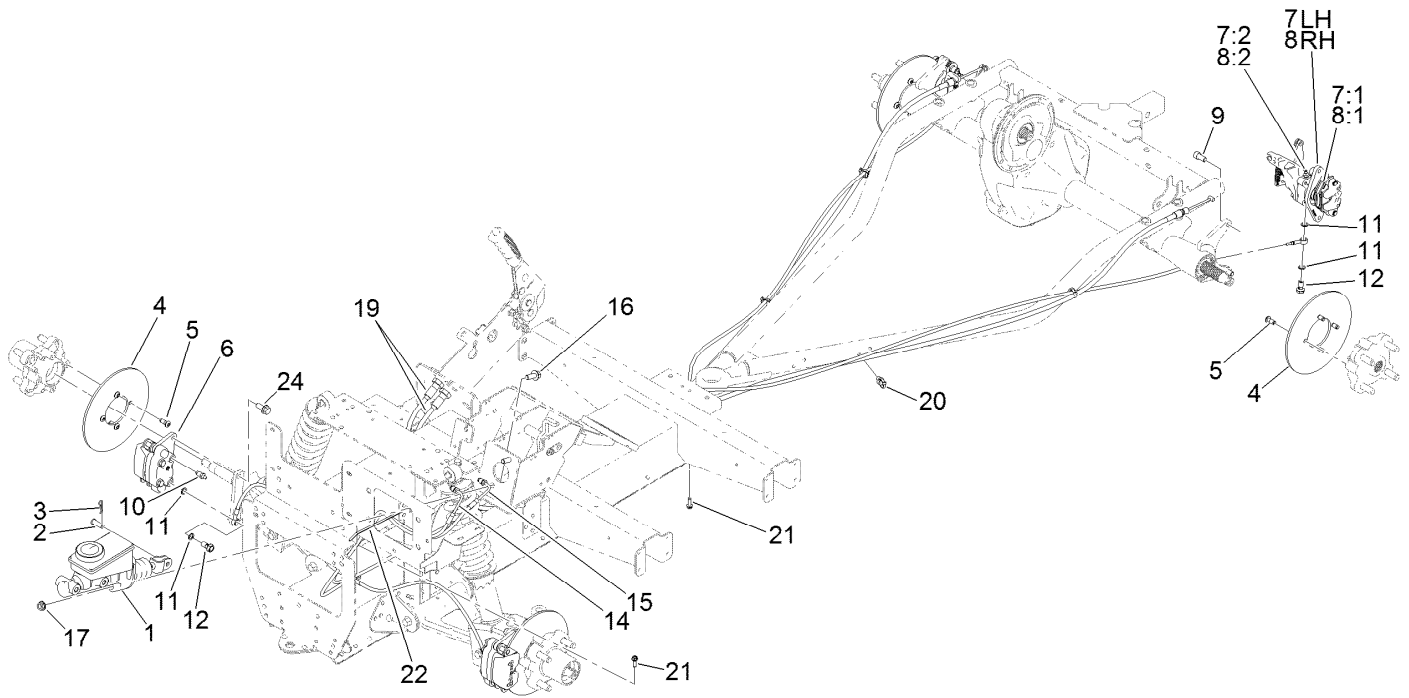
Rear Frame and Suspension Assembly

| <i>Ref.</i> | <i>Part Number</i> | <i>Qty.</i> | <i>Description</i> | <i>Ref.</i> | <i>Part Number</i> | <i>Qty.</i> | <i>Description</i> |
|-------------|--------------------|-------------|----------------------------|-------------|--------------------|-------------|----------------------|
| 1 | 140-2498 | 1 | Rear Frame ASM | 11 | 3234-40 | 4 | Screw-HF |
| 1:2 | 115-2047 | 1 | Decal-Surface, Hot | 14 | 139-4644 | 2 | Clamp, Anti-Sway Bar |
| 2 | 139-4647-03 | 1 | Bracket-Stabilizer Bar | 15 | 87-3910 | 2 | Bushing-Rubber |
| 3 | 127-7411-03 | 1 | Bracket-Bar, Stabilizer | 16 | 131-8310-03 | 1 | Bar-Sway, Anti |
| 4 | 3234-39 | 5 | Screw-HHF | 17 | 131-8394 | 2 | Link-Bar, Sway |
| 5 | 104-8301 | 9 | Nut-HF, NI | 18 | 3231-22 | 4 | Screw-CARR |
| 6 | 3234-46 | 7 | Screw-HHF | 19 | 131-8346 | 2 | Panel-Side |
| 7 | 99-5107 | 11 | Nut-Lock | 20 | 125-9622 | 20 | Rivet-Blind |
| 8 | 109-5013 | 1 | Panhard Rod ASM | 21 | 3290-378 | 2 | Tie-Cable |
| 8:2 | 109-5009 | 2 | Bushing-Suspension, Rubber | 22 | 74-5950 | 2 | Latch-Swell |
| 8:3 | 109-5010 | 2 | Spacer | 25 | 137-6741 | 1 | Ball Mount ASM |
| 9 | 86-1990 | 6 | Washer-Thrust | 28 | 138-3528 | 1 | Decal-Service |
| 10 | 131-8315 | 1 | Bracket-Link, Sway Bar | 31 | 140-4573 | 1 | Extended Panel-Cover |
| | | | | 31:2 | 99-7345 | 1 | Decal-Warning |



Frame Mount and Rear Shock/Spring Assembly

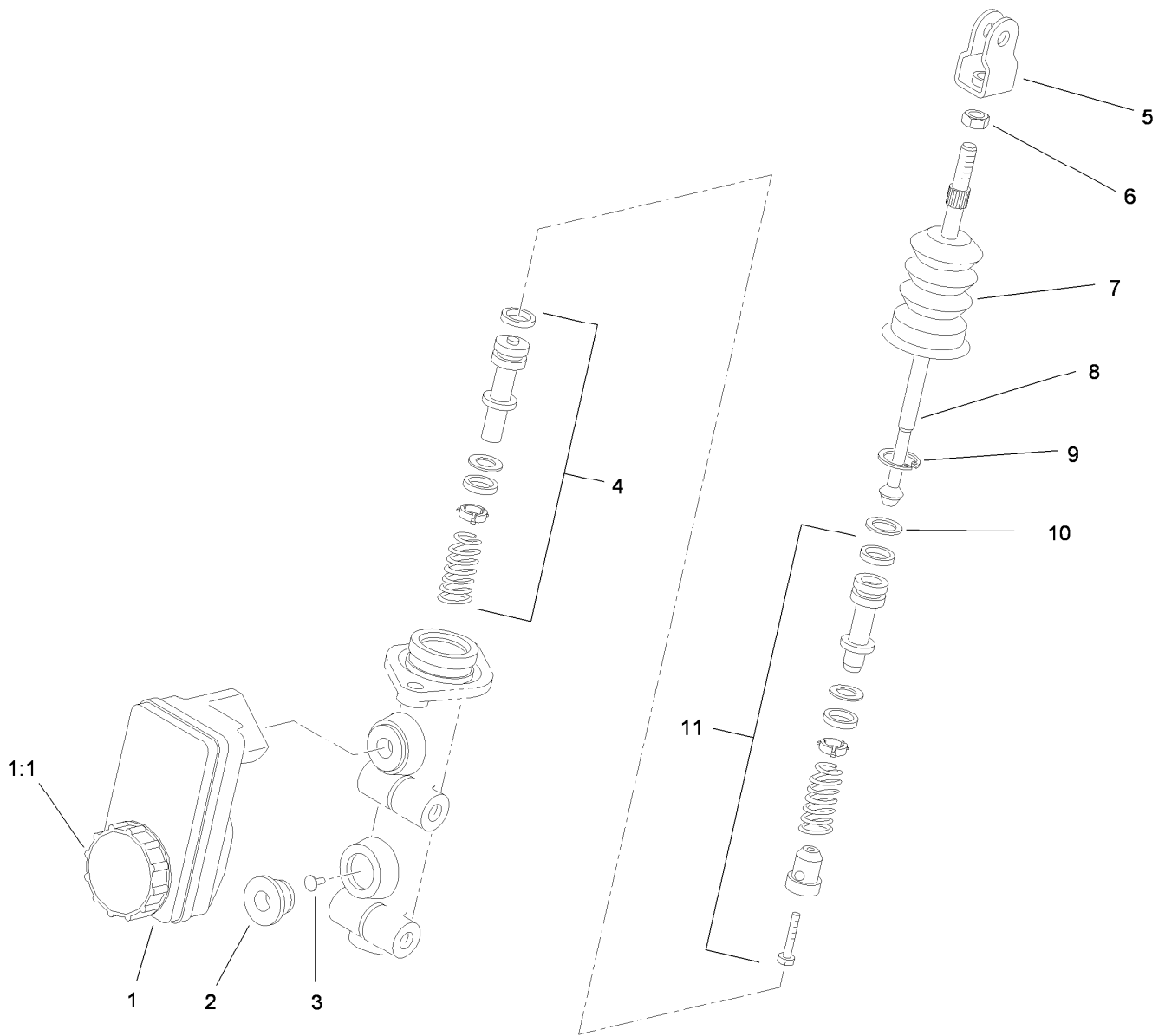
| <i>Ref.</i> | <i>Part Number</i> | <i>Qty.</i> | <i>Description</i> |
|-------------|--------------------|-------------|--------------------|
| 1 | 3234-39 | 8 | Screw-HHF |
| 2 | 104-8301 | 8 | Nut-HF, NI |
| 3 | 3234-46 | 4 | Screw-HHF |
| 4 | 99-5107 | 4 | Nut-Lock |
| 5 | 139-4607 | 2 | Shock/Spring ASM |
| 5:1 | 131-8574 | 2 | Isolator-Shock |



Brake Assembly

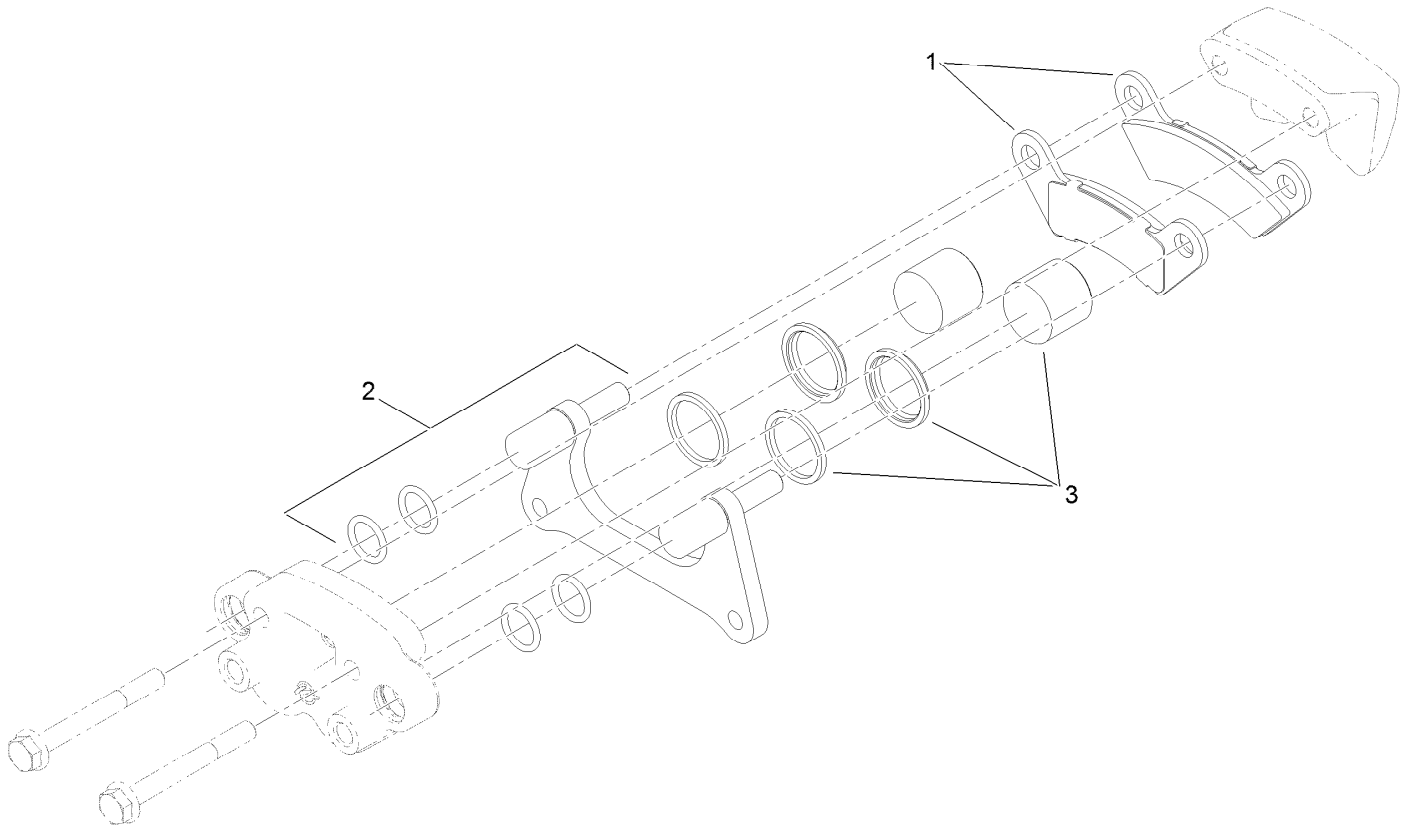
| Ref. | Part Number | Qty. | Description | Ref. | Part Number | Qty. | Description |
|------|-------------|------|-------------------------------------|------|-------------|------|-----------------------|
| 1 | 104-6782 | 1 | Master Cylinder ASM | 8:3 | 136-6328 | 2 | Spring-Rattle, Anti ● |
| 2 | 283-2 | 1 | Pin-Clevis | 9 | 131-8573 | 4 | Screw-HSH |
| 3 | 1-806003 | 1 | Pin-Cotter | 10 | 119-9509 | 2 | Screw-Bleed |
| 4 | 139-4474 | 4 | Rotor-Brake | 11 | 115-2341 | 8 | Washer-Banjo |
| 5 | 121-9671 | 16 | Screw-HSBH | 12 | 120-4875 | 4 | Bolt-Flange, Banjo |
| 6 | 140-2575 | 2 | Brake Caliper ASM | 14 | 127-7781 | 1 | Brake Line-Front |
| 7 | 140-2585 | 1 | Brake Caliper ASM, LH | 15 | 127-7782 | 1 | Brake Line-Rear |
| 7:1 | 140-2595 | 1 | Brake Pad Service Kit (Rear, Qty 4) | 16 | 3234-11 | 2 | Screw-HHF |
| 7:2 | 119-9509 | 1 | Screw-Bleed | 17 | 3290-357 | 2 | Nut-HHF, Whiz |
| 7:3 | 136-6328 | 2 | Spring-Rattle, Anti ● | 19 | 131-8406 | 2 | Cable-Park Brake |
| 8 | 140-2590 | 1 | Brake Caliper ASM, RH | 20 | 32180-030 | 4 | Clip-Tie |
| 8:1 | 140-2595 | 1 | Brake Pad Service Kit (Rear, Qty 4) | 21 | 49-2040 | 2 | Screw-HWHTF |
| 8:2 | 119-9509 | 1 | Screw-Bleed | 22 | 3290-378 | 1 | Tie-Cable |
| | | | | 24 | 3234-25 | 4 | Screw-HHF |

● Not illustrated



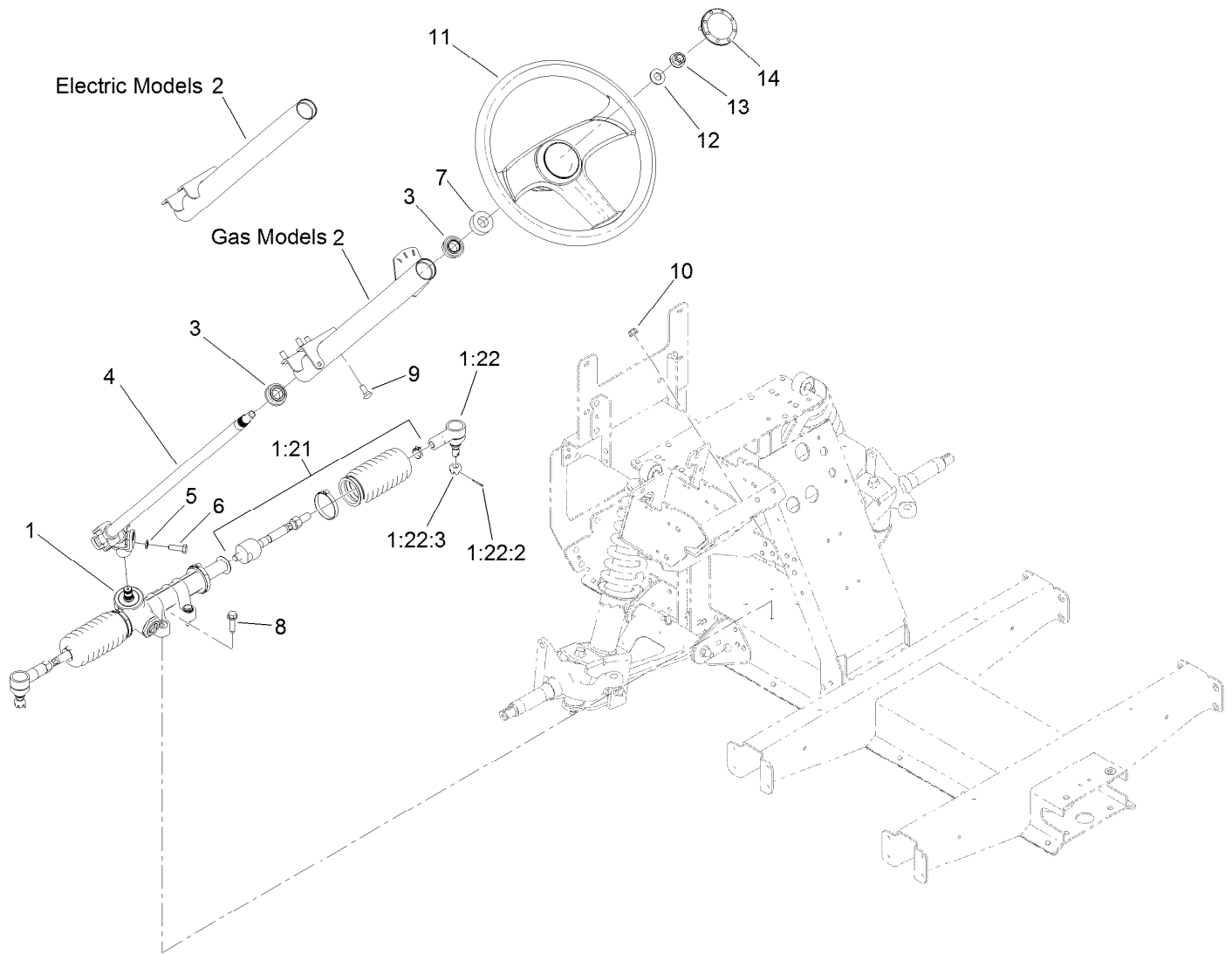
Master Cylinder Assembly No. 104-6782

| <i>Ref.</i> | <i>Part Number</i> | <i>Qty.</i> | <i>Description</i> |
|-------------|--------------------|-------------|----------------------|
| 1 | 104-6845 | 1 | Reservoir ASM |
| 1:1 | 92-4112 | 1 | Cap ASM |
| 2 | 93-8971 | 2 | Seal-Port, Flange |
| 3 | 92-4103 | 1 | Pin-Stop |
| 4 | 92-4102 | 1 | Secondary Piston ASM |
| 5 | 92-4110 | 1 | Clevis |
| 6 | 21-0360 | 1 | Nut-Hex |
| 7 | 94-5209 | 1 | Cover-Dust |
| 8 | 94-5210 | 1 | Rod-Push |
| 9 | 92-4109 | 1 | Ring-Snap |
| 10 | 92-4108 | 1 | Retainer-Washer |
| 11 | 92-4101 | 1 | Primary Piston ASM |



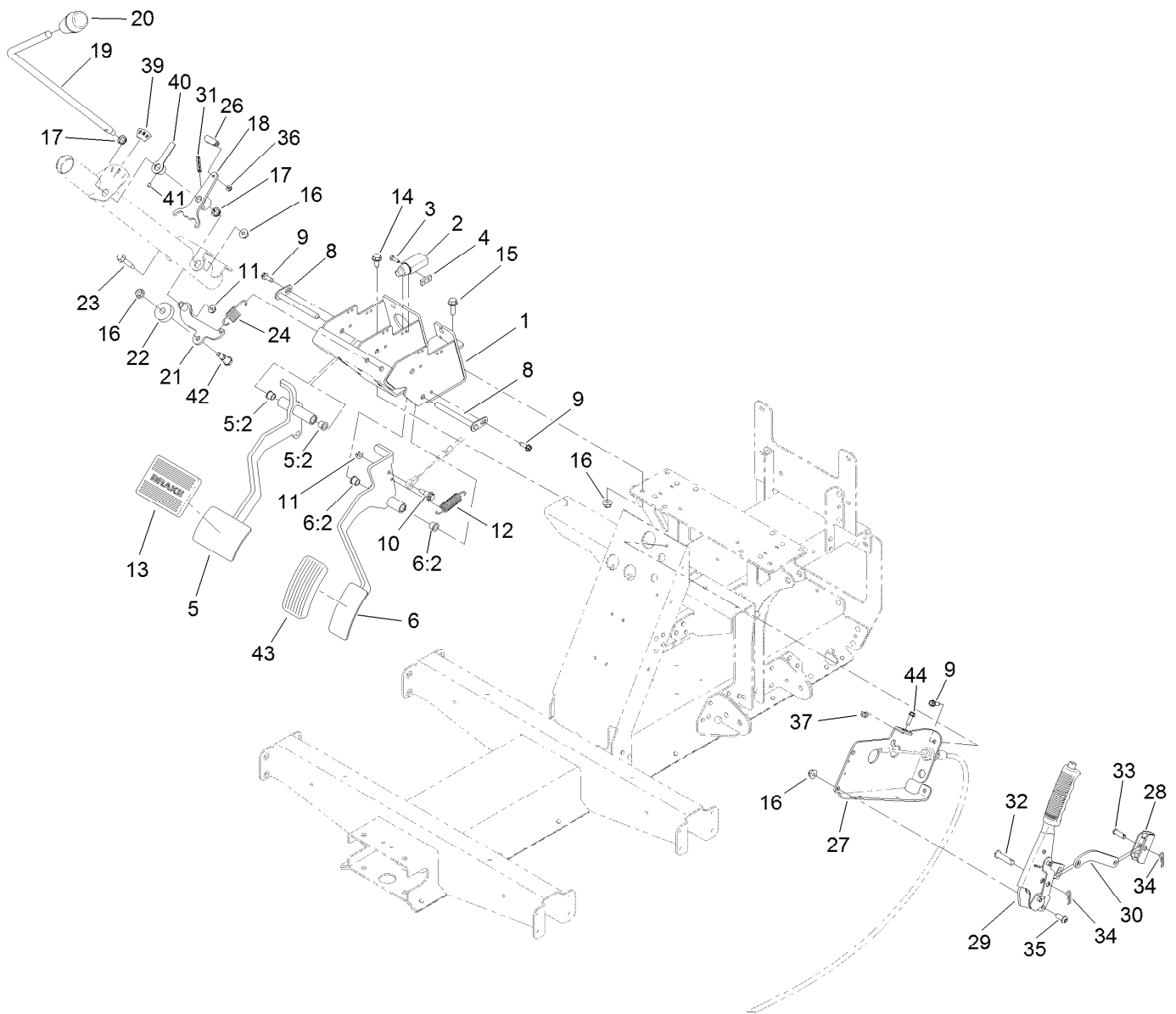
Brake Caliper Assembly No. 140-2575

| <i>Ref.</i> | <i>Part Number</i> | <i>Qty.</i> | <i>Description</i> |
|-------------|--------------------|-------------|--------------------------------------|
| 1 | 140-2580 | 1 | Brake Pad Service Kit (Front, Qty 4) |
| 2 | 119-9511 | 1 | Bracket Kit |
| 3 | 133-0614 | 1 | Piston Kit |



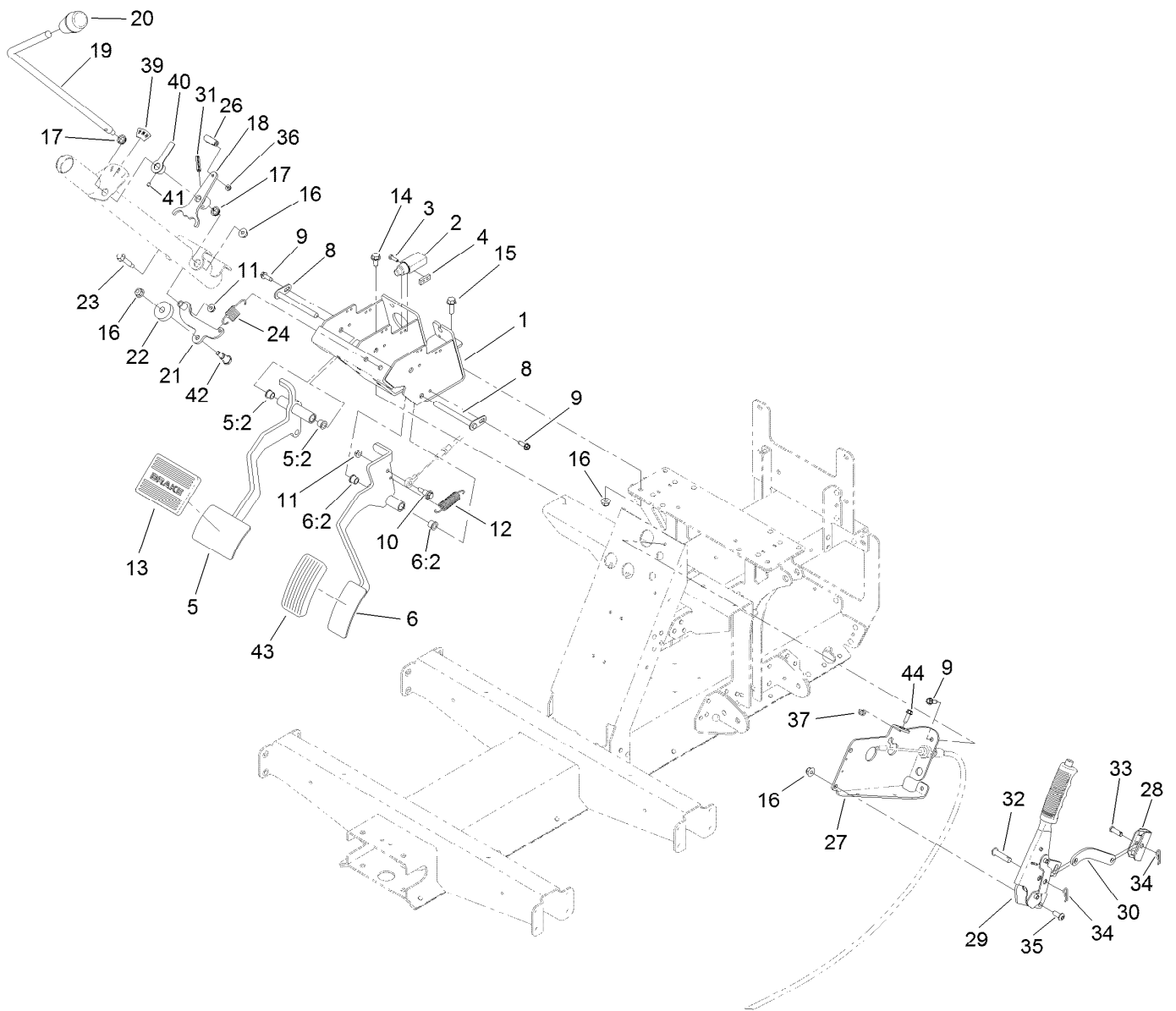
Steering Assembly

| <i>Ref.</i> | <i>Part Number</i> | <i>Qty.</i> | <i>Description</i> | <i>Ref.</i> | <i>Part Number</i> | <i>Qty.</i> | <i>Description</i> |
|-------------|--------------------|-------------|----------------------|-------------|--------------------|-------------|---------------------|
| 1 | 138-0114 | 1 | Steering Rack ASM | 6 | 116-3515 | 1 | Screw-HH, Special |
| 1:21 | 140-4591 | 1 | Kit-Tie Rod ASM, Gtx | 7 | 21-9260 | 1 | Cover-Dust |
| 1:22 | 140-4592 | 1 | Kit-Rod End ASM | 8 | 32144-49 | 4 | Screw-HWHTF |
| 1:22:2 | 3272-42 | 1 | Pin-Cotter | 9 | 3230-1 | 4 | Bolt-CARR |
| 1:22:3 | 140-2493 | 1 | Nut-Hex, Slotted | 10 | 104-8300 | 4 | Nut-HF, NI |
| 2 | 137-2754 | 1 | Steering Column ASM | 11 | 131-0957 | 1 | Wheel-Steering |
| 3 | 112-3262 | 2 | Bearing | 12 | 3256-26 | 1 | Washer-Flat |
| 4 | 127-8804 | 1 | Shaft-Steering | 13 | 99-5107 | 1 | Nut-Lock |
| 5 | 3253-4 | 1 | Washer-Lock | 14 | 131-3630 | 1 | Cap-Wheel, Steering |



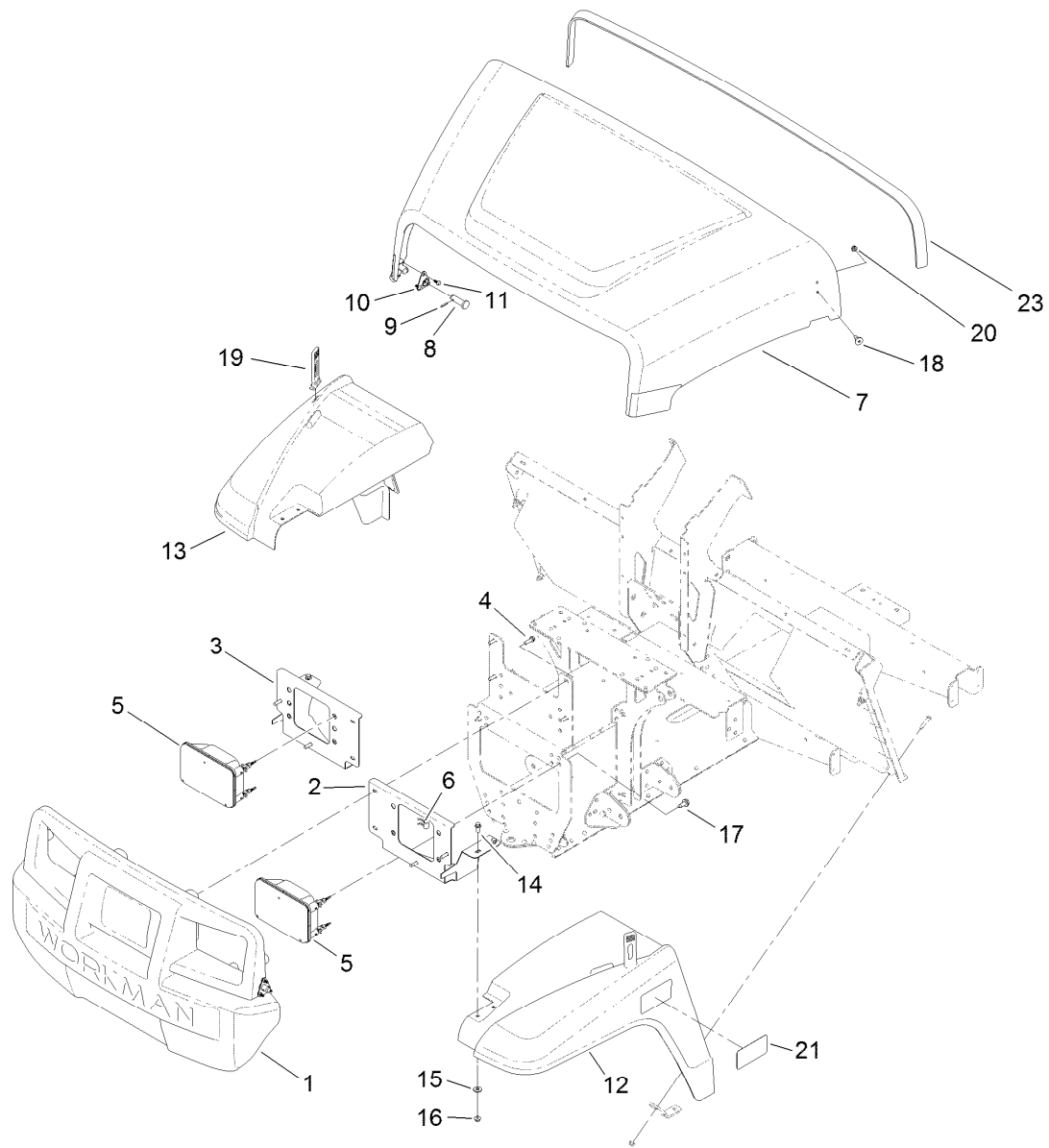
Pedal and Control Assembly

| Ref. | Part Number | Qty. | Description | Ref. | Part Number | Qty. | Description |
|------|-------------|------|-------------------------|------|-------------|------|--------------------------|
| 1 | 127-8817-03 | 1 | Mount-Pedal | 21 | 133-7214 | 1 | Arm-Detent |
| 2 | 99-7407 | 1 | Switch | 22 | 133-7212 | 1 | Bushing-Detent, Shift |
| 3 | 3290-134 | 2 | Screw | 23 | 116-6876 | 1 | Screw-Shoulder |
| 4 | 1-633181 | 1 | Plate-Tapped | 24 | 131-8419 | 1 | Spring-Extension |
| 5 | 138-9385 | 1 | Brake Pedal ASM | 26 | 2411-38 | 1 | Joint-Ball |
| 5:2 | 256-116 | 2 | Bushing-Flange | 27 | 140-4836-03 | 1 | Mount-Park Brake |
| 6 | 138-9390 | 1 | Throttle Pedal ASM, Gtx | 28 | 87-3480 | 1 | Bracket-Equalizer, Cable |
| 6:2 | 256-116 | 2 | Bushing-Flange | 29 | 131-8320 | 1 | Lever-Brake, Park |
| 8 | 131-8459 | 2 | Shaft-Pivot | 30 | 127-8836-03 | 1 | Link-Brake, Park |
| 9 | 49-2040 | 4 | Screw-HWHTF | 31 | 32121-9 | 1 | Pin-Roll, Slotted |
| 10 | 104-0858 | 1 | Bolt-Shoulder | 32 | 283-10 | 1 | Pin-Clevis |
| 11 | 32128-33 | 2 | Nut-HF | 33 | 1-808280 | 1 | Pin-Clevis |
| 12 | 67-1450 | 1 | Spring-Idler | 34 | 1-806003 | 2 | Pin-Cotter |
| 13 | 7-3900 | 1 | Pad-Brake | 35 | 3274-55 | 2 | Screw-HSBH |
| 14 | 32144-70 | 2 | Screw-HWHTF | 36 | 3296-27 | 1 | Nut-Lock, NI |
| 15 | 3234-29 | 1 | Screw-HHF | 37 | 104-7201 | 1 | Nut-HF |
| 16 | 104-8300 | 5 | Nut-HF, NI | 39 | 131-8463 | 1 | Decal-Shift |
| 17 | 110-3318 | 2 | Bushing-Snap | 40 | 131-8462-01 | 1 | Indicator-Shift |
| 18 | 127-8833 | 1 | Arm-Shift | 41 | 3245-20 | 1 | Screw-HSH |
| 19 | 127-8830 | 1 | Shaft-Shifter | 42 | 613529 | 1 | Screw-Shoulder |
| 20 | 131-8473 | 1 | Knob-Tapered | | | | |



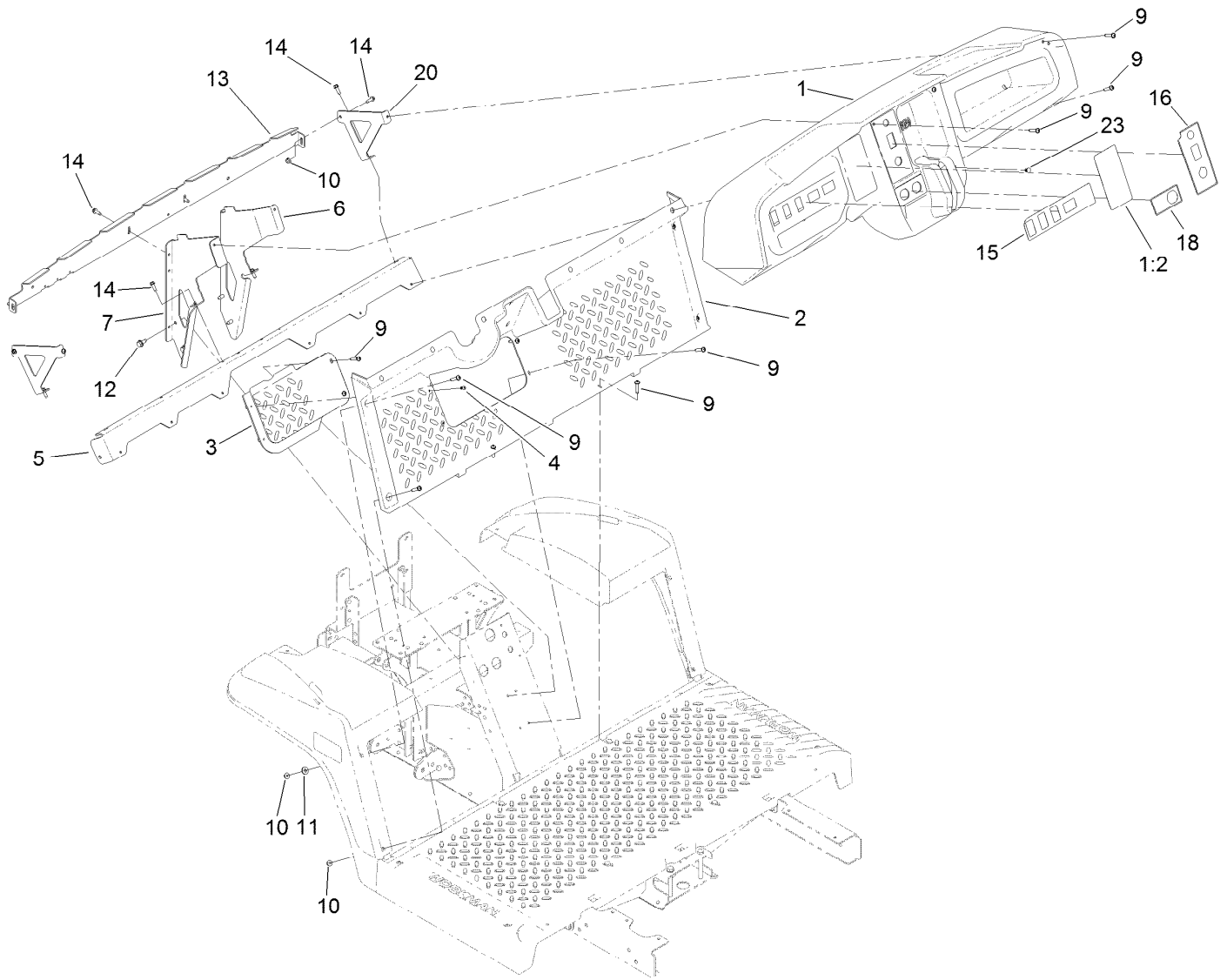
Pedal and Control Assembly (continued)

| <i>Ref.</i> | <i>Part Number</i> | <i>Qty.</i> | <i>Description</i> |
|-------------|--------------------|-------------|--------------------|
| 43 | 140-4572 | 1 | Pedal Pad-Throttle |
| 44 | 115-5103 | 1 | Screw-HHF |



Hood and Fender Assembly

| <i>Ref.</i> | <i>Part Number</i> | <i>Qty.</i> | <i>Description</i> | <i>Ref.</i> | <i>Part Number</i> | <i>Qty.</i> | <i>Description</i> |
|-------------|--------------------|-------------|-----------------------|-------------|--------------------|-------------|--------------------|
| 1 | 132-8530 | 1 | Bumper | 12 | 127-7771 | 1 | Fender-Front, LH |
| 2 | 131-8455-03 | 1 | Bracket-Headlight, LH | 13 | 127-7772 | 1 | Fender-Front, RH |
| 3 | 131-8456-03 | 1 | Bracket-Headlight, RH | 14 | 3234-33 | 4 | Screw-HHF |
| 4 | 46-8091 | 8 | Screw-HWH | 15 | 3256-2 | 4 | Washer-Flat |
| 5 | 138-9260 | 2 | Headlight ASM | 16 | 104-7201 | 4 | Nut-HF |
| 6 | 115-2408 | 6 | Clip-Speed | 17 | 32144-70 | 2 | Screw-HWHTF |
| 7 | 136-6281 | 1 | Hood | 18 | 125-1122 | 2 | Screw |
| 8 | 117-5094 | 2 | Pin-Clevis | 19 | 131-8402 | 2 | Strap-Down, Hold |
| 9 | 32121-50 | 2 | Pin-Spring | 20 | 3296-56 | 2 | Nut-Lock, NI |
| 10 | 112-3308 | 2 | Retainer-Pin | 21 | 138-3527 | 2 | Decal-Fender |
| 11 | 121-9605 | 6 | Screw-HWH | 23 | 133-7210 | 1 | Seal-Trim, Hood |

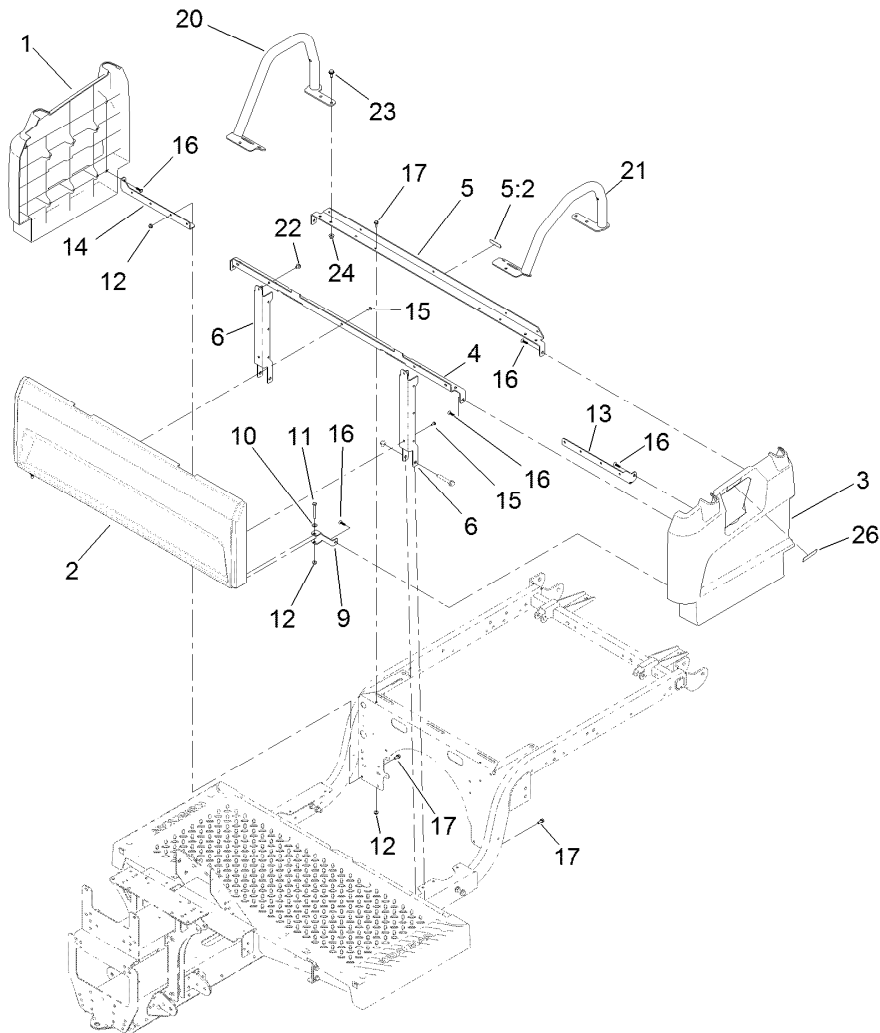


Dash Assembly

| Ref. | Part Number | Qty. | Description | Ref. | Part Number | Qty. | Description |
|------|-------------|------|------------------|------|-------------|------|--------------------------|
| 1 | 131-8593 | 1 | Dash | 11 | 3256-2 | 2 | Washer-Flat |
| 1:2 | 131-8414 | 1 | Decal-Danger | 12 | 32144-70 | 4 | Screw-HWHTF |
| 2 | 127-7846 | 1 | Footboard | 13 | 131-8568-03 | 1 | Reinforcement-Dash |
| 3 | 127-7847 | 1 | Cover-Footboard | 14 | 49-2040 | 8 | Screw-HWHTF |
| 4 | 107-7461 | 2 | Screw-Plastite | 15 | 138-3524 | 1 | Decal-Dashboard |
| 5 | 127-7831-03 | 1 | Angle | 16 | 138-3397 | 1 | Decal-Control Panel, EFI |
| 6 | 131-8336-03 | 1 | Bracket-Dash, RH | 18 | 131-8493 | 1 | Decal-USB |
| 7 | 131-8335-03 | 1 | Bracket-Dash, LH | 20 | 131-8569-03 | 2 | Bracket-Dash, Side |
| 9 | 132-6777 | 20 | Screw-TTH | 23 | 104-9368 | 1 | Plug-Dome |
| 10 | 104-7201 | 6 | Nut-HF | | | | |

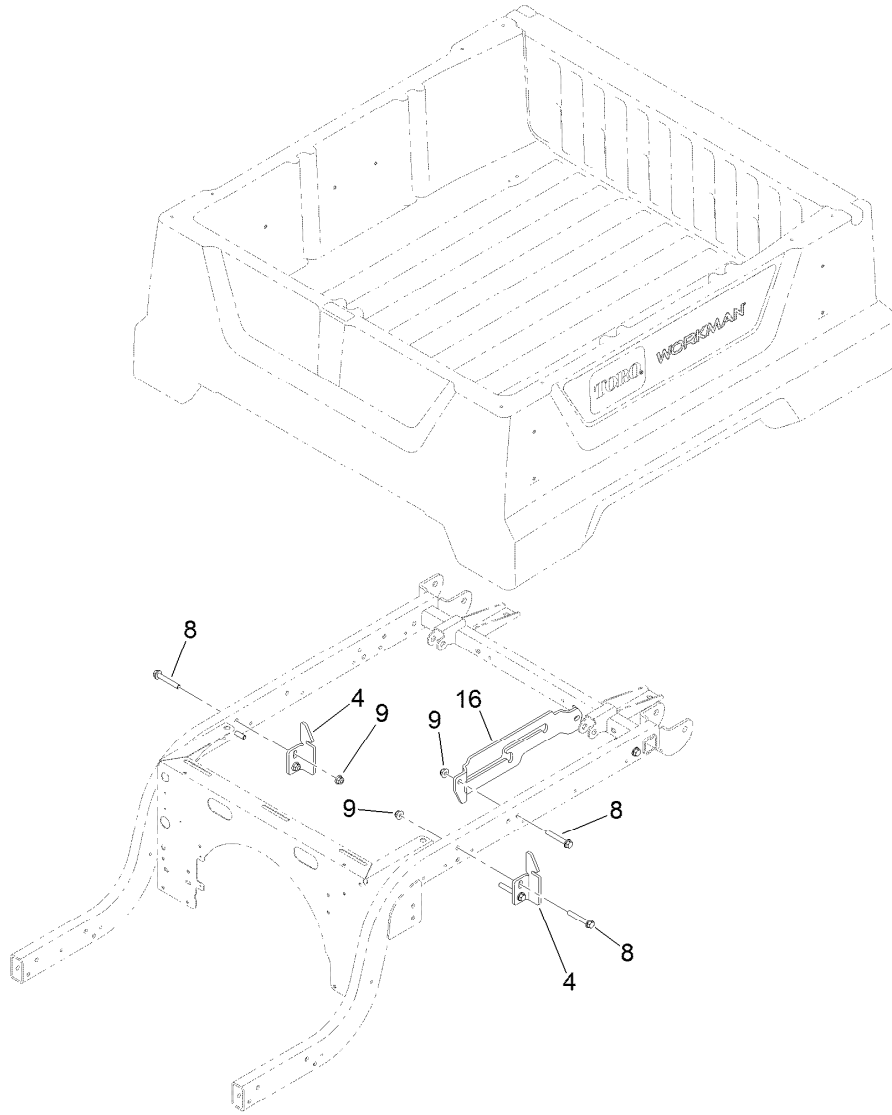
Reference Model 07048 For Bucket Seat Base Kit Parts

Reference Model 07047 For Bench Seat Base Kit Parts



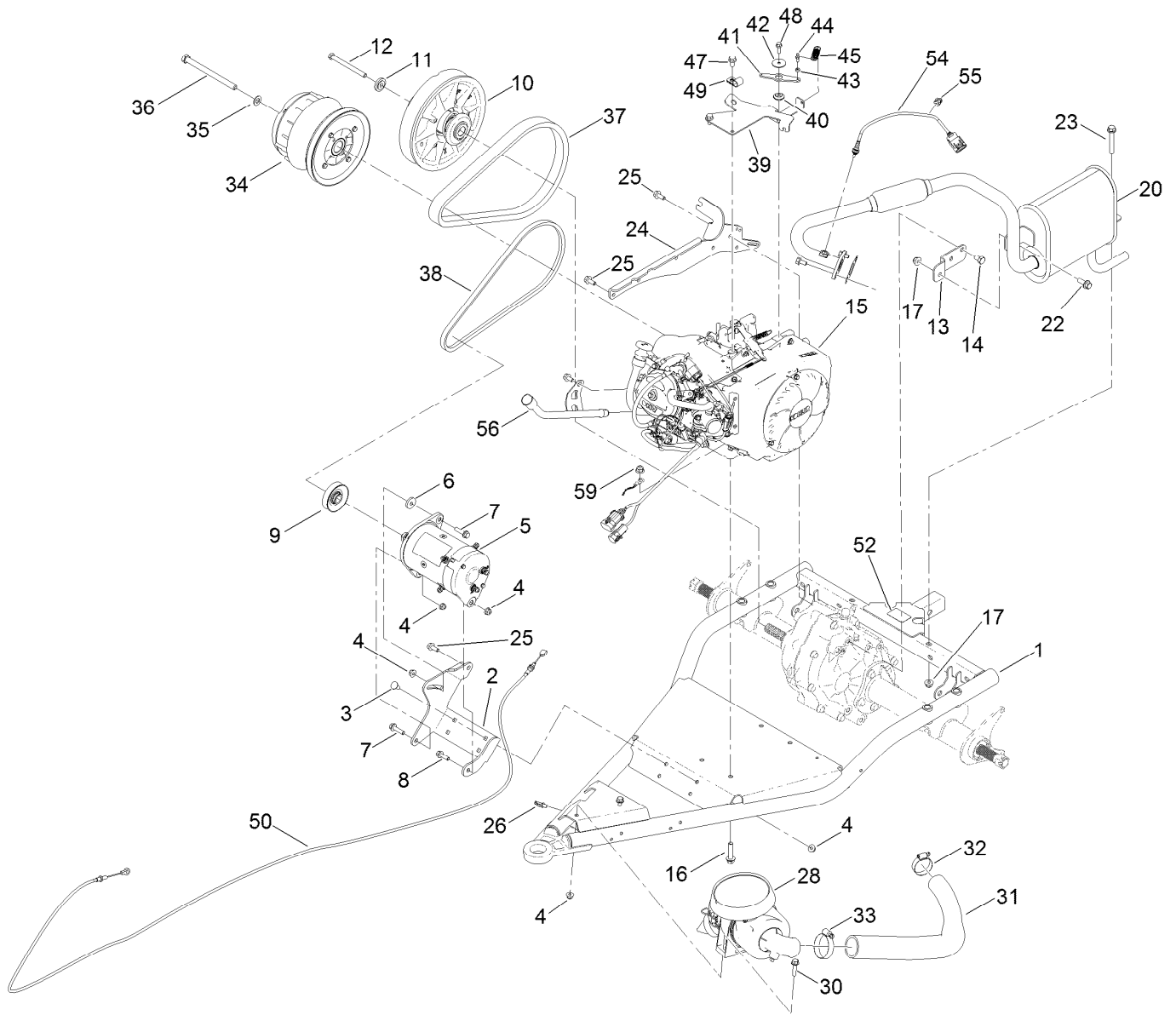
Seatbase Assembly

| Ref. | Part Number | Qty. | Description | Ref. | Part Number | Qty. | Description |
|------|-------------|------|-----------------------|------|-------------|------|----------------------------|
| 1 | 127-7805 | 1 | Side-Base, Seat (RH) | 13 | 127-7842-03 | 1 | Bracket-Support, Side (LH) |
| 2 | 133-7188 | 1 | Panel-Base, Seat | 14 | 127-7843-03 | 1 | Bracket-Support, Side (RH) |
| 3 | 127-7807 | 1 | Side-Base, Seat (LH) | 15 | 112-6349 | 5 | Screw-HWH |
| 4 | 133-7345-03 | 1 | Support-Seat | 16 | 120-2349 | 8 | Screw |
| 5 | 137-6991 | 1 | Seat Support ASM | 17 | 3234-33 | 6 | Screw-HHF |
| 5:2 | 120-9570 | 1 | Decal-Warning | 20 | 131-8352-05 | 1 | Restraint-Hip, RH |
| 6 | 127-7841-03 | 2 | Channel-Support, Seat | 21 | 131-8353-05 | 1 | Restraint-Hip, LH |
| 9 | 127-7844-03 | 2 | Clamp-Plate, Floor | 22 | 46-6810 | 2 | Screw And Washer ASM |
| 10 | 3256-22 | 2 | Washer-Flat | 23 | 32144-70 | 6 | Screw-HWHTF |
| 11 | 321-18 | 2 | Screw-HH | 24 | 104-8300 | 6 | Nut-HF, NI |
| 12 | 104-7201 | 8 | Nut-HF | 26 | 131-8410 | 1 | Decal-Danger, Fuel |



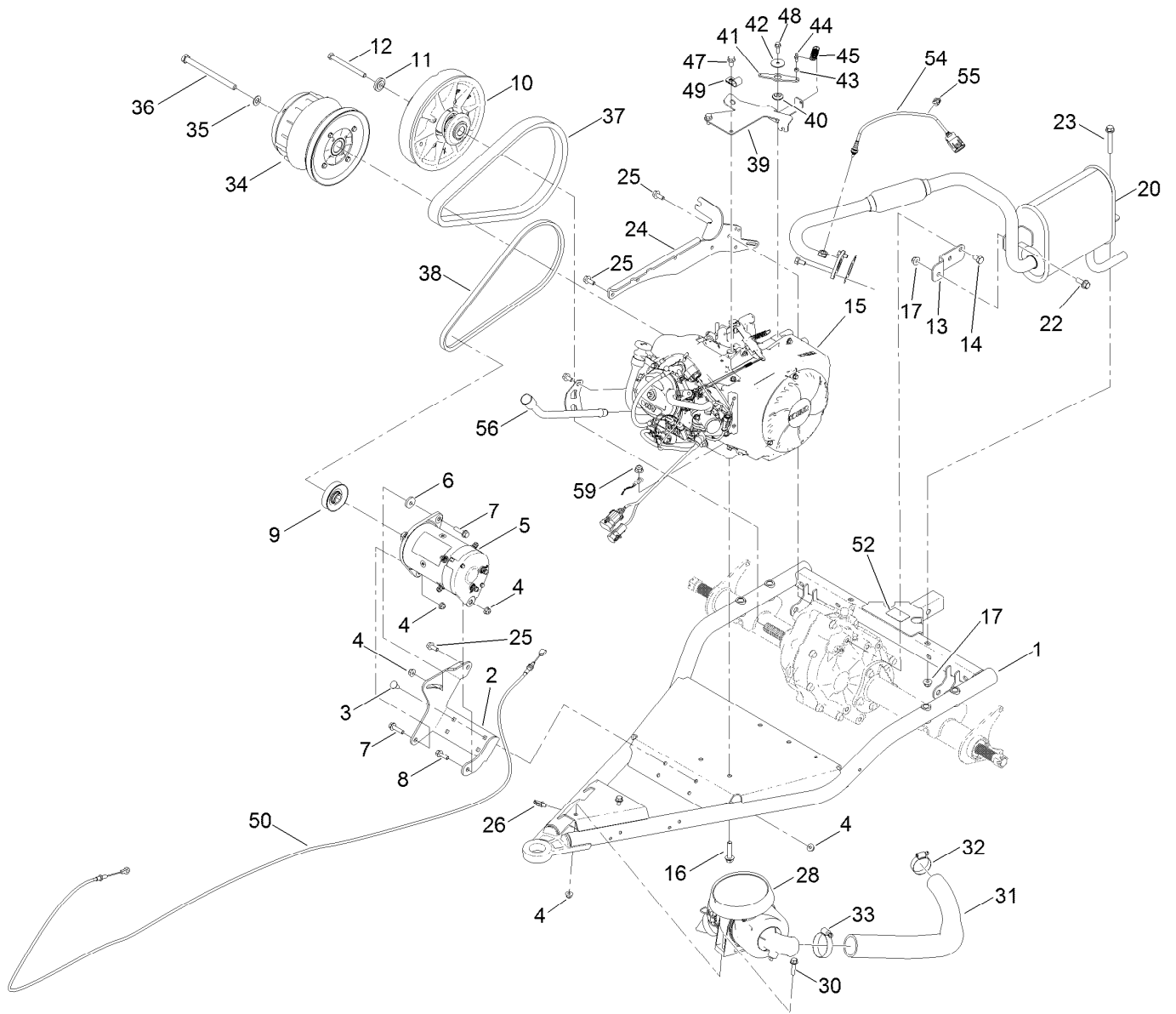
Cargo Bed Assembly

| <i>Ref.</i> | <i>Part Number</i> | <i>Qty.</i> | <i>Description</i> |
|-------------|--------------------|-------------|--------------------|
| 4 | 127-7428-03 | 2 | Striker-Latch, Bed |
| 8 | 3234-39 | 6 | Screw-HHF |
| 9 | 104-8301 | 6 | Nut-HF, NI |
| 16 | 132-8518 | 1 | Bracket-Rod, Prop |



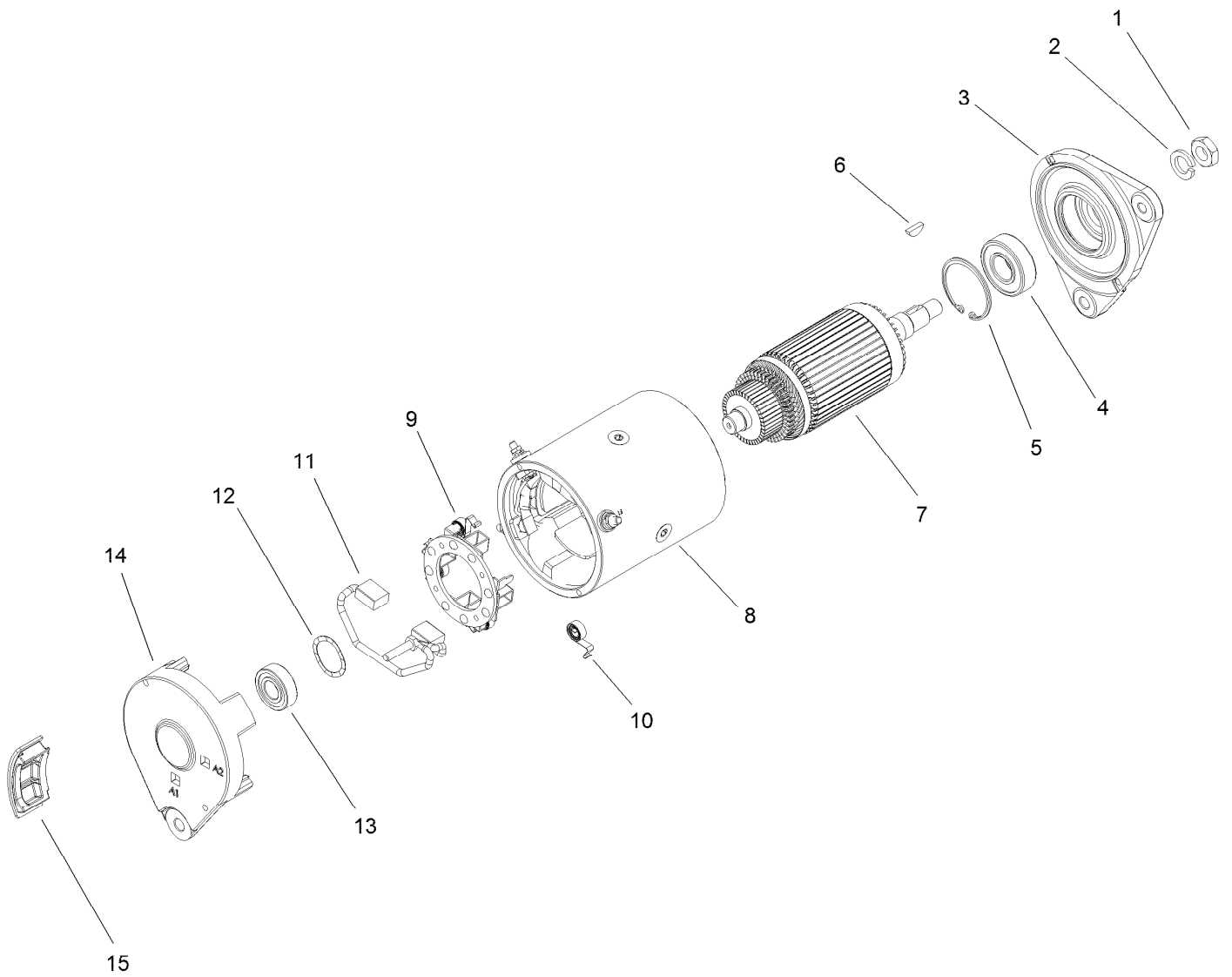
Engine Assembly

| Ref. | Part Number | Qty. | Description | Ref. | Part Number | Qty. | Description |
|------|-------------|------|---------------------------|------|-------------|------|--------------------|
| 1 | 140-2558-03 | 1 | Gtx Swing Arm ASM | 25 | 139-3392 | 6 | Screw-Lock |
| 2 | 131-8503-03 | 1 | Bracket-Starter/Generator | 26 | 32180-030 | 1 | Clip-Tie |
| 3 | 3230-23 | 4 | Screw-CARR | 28 | 138-3447 | 1 | Air Cleaner ASM |
| 4 | 104-8300 | 9 | Nut-HF, NI | 30 | 3234-36 | 2 | Screw-HHF |
| 5 | 131-8444 | 1 | Starter/Generator ASM | 31 | 131-8489 | 1 | Hose-Intake, Air |
| 6 | 65-8270 | 1 | Washer | 32 | 2412-111 | 1 | Clamp |
| 7 | 119-4036 | 2 | Screw-HHF | 33 | 2412-92 | 1 | Clamp-Hose |
| 8 | 3234-29 | 1 | Screw-HHF | 34 | 138-0095 | 1 | Primary Clutch ASM |
| 9 | 121-6277 | 1 | Pulley-Drive | 35 | 3256-25 | 1 | Washer-Flat |
| 10 | 119-6011 | 1 | Secondary Clutch ASM | 36 | 131-8521 | 1 | Screw-HH |
| 11 | 104-6563 | 1 | Washer-Stepped | 37 | 131-8567 | 1 | Belt-Variable |
| 12 | 119-0723 | 1 | Screw-HH, Lock | 38 | 94-8803 | 1 | V-Belt, Impeller |
| 13 | 131-8329 | 1 | Bracket-Muffler | 39 | 131-8505 | 1 | Bracket-Throttle |
| 14 | 70-8470 | 2 | Screw-HH | 40 | 131-8524 | 1 | Bushing-Flange |
| 15 | 137-9893 | 1 | Engine-Kohler, Ech440 | 41 | 131-8504 | 1 | Lever-Throttle |
| 16 | 140-4808 | 4 | Screw-HHF | 42 | 3256-55 | 1 | Washer-Frotte |
| 17 | 104-8301 | 2 | Nut-HF, NI | 43 | 110-2619 | 1 | Keeper-Spring |
| 20 | 138-9275 | 1 | Exhaust ASM | 44 | 99-7847 | 1 | Ball-Stud |
| 22 | 3234-42 | 1 | Screw-HHF | 45 | 71-5470 | 1 | Spring-Brake |
| 23 | 3234-39 | 1 | Screw-HHF | 47 | 33104-016 | 2 | Screw-HHF |
| 24 | 139-3388 | 1 | Plate-Spanner | 48 | 33103-020 | 1 | Screw-HHF |



Engine Assembly (continued)

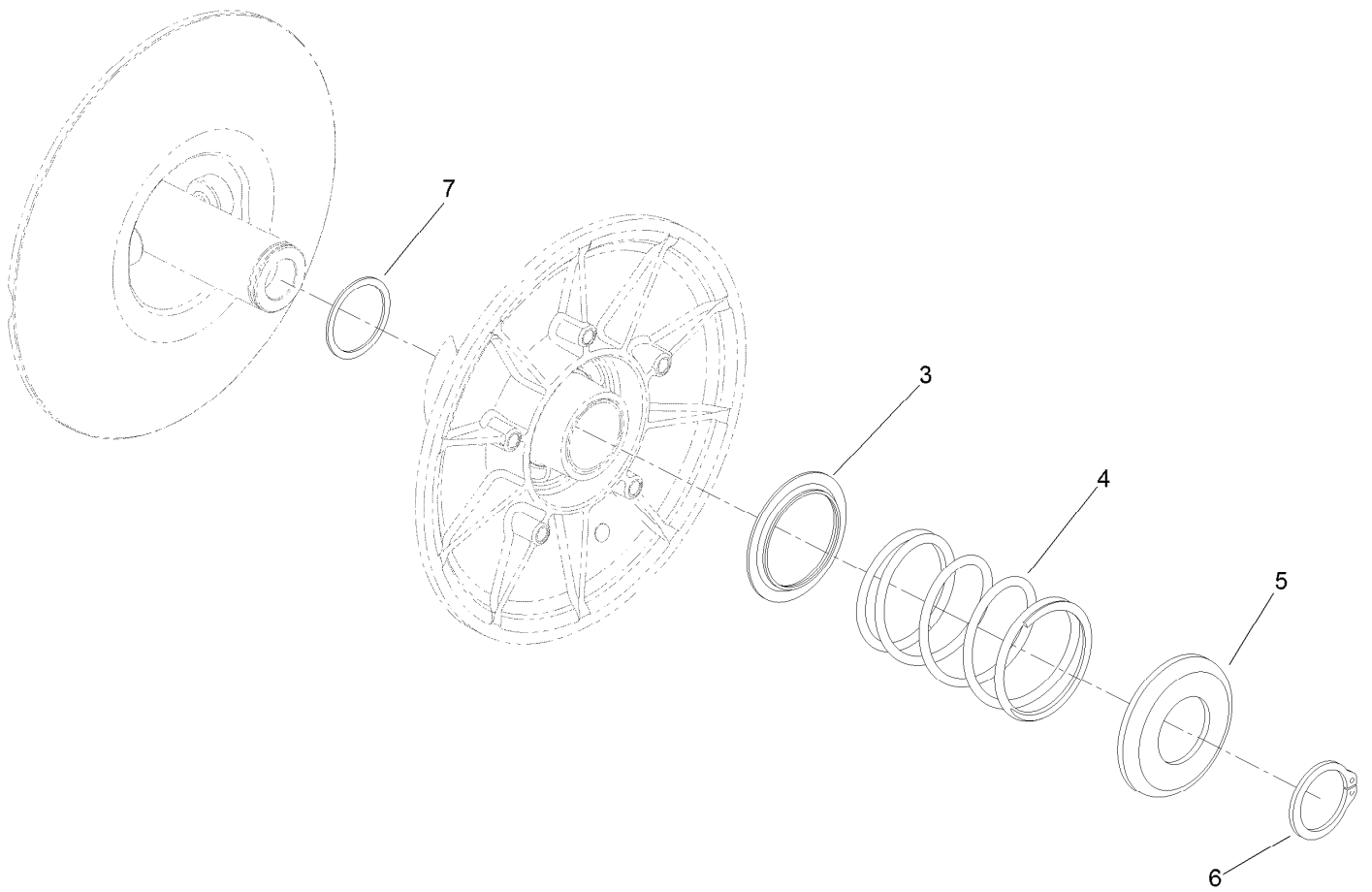
| <i>Ref.</i> | <i>Part Number</i> | <i>Qty.</i> | <i>Description</i> | <i>Ref.</i> | <i>Part Number</i> | <i>Qty.</i> | <i>Description</i> |
|-------------|--------------------|-------------|--------------------|-------------|--------------------|-------------|---------------------------|
| 49 | 2412-138 | 1 | R-Clamp | 55 | 32180-226 | 1 | Clip-Edge, Parallel W/Tie |
| 50 | 127-8860 | 1 | Cable-Accelerator | 56 | 138-9383 | 1 | Dip Stick Tube ASM |
| 52 | 137-9984 | 1 | Decal-Load, Towing | 59 | 139-3380 | 4 | Nut-HF |
| 54 | 136-6348 | 1 | Sensor-O2 | | | | |



Starter Generator Assembly No. 131-8444

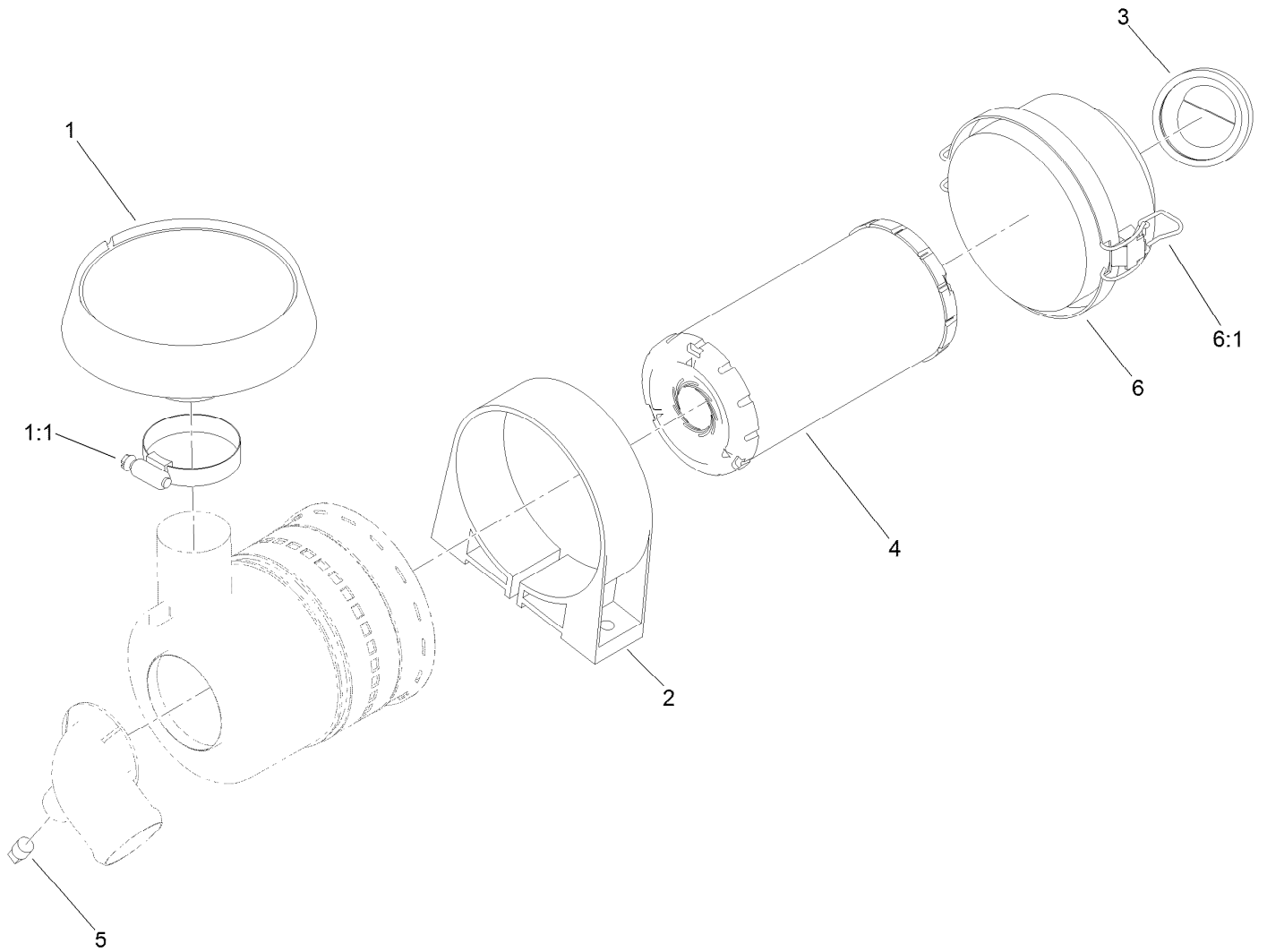
| Ref. | Part Number | Qty. | Description |
|------|-------------|------|-------------------------------------|
| 1 | 119-9651 | 1 | Nut |
| 2 | 119-9652 | 1 | Washer-Lock |
| 3 | 133-0599 | 1 | Head-Drive End |
| 4 | 119-9655 | 1 | Bearing |
| 5 | 119-9656 | 1 | Ring-Retaining |
| 6 | 119-9657 | 1 | Key-Woodruff |
| 7 | 119-9658 | 1 | Armature ASM |
| 8 | | 1 | Frame And Field Assembly ● |
| 9 | 119-9661 | 1 | Brush Box ASM |
| 10 | 119-9660 | 4 | Spring-Brush |
| 11 | 119-9659 | 1 | Brush Lead And Terminal Service Kit |
| 12 | 119-9662 | 1 | Washer-Wave |
| 13 | 119-9663 | 1 | Bearing |
| 14 | | 1 | Head-End, Cummutator ● |
| 15 | 133-0600 | 4 | Plug-Rubber |

● Not serviced separately



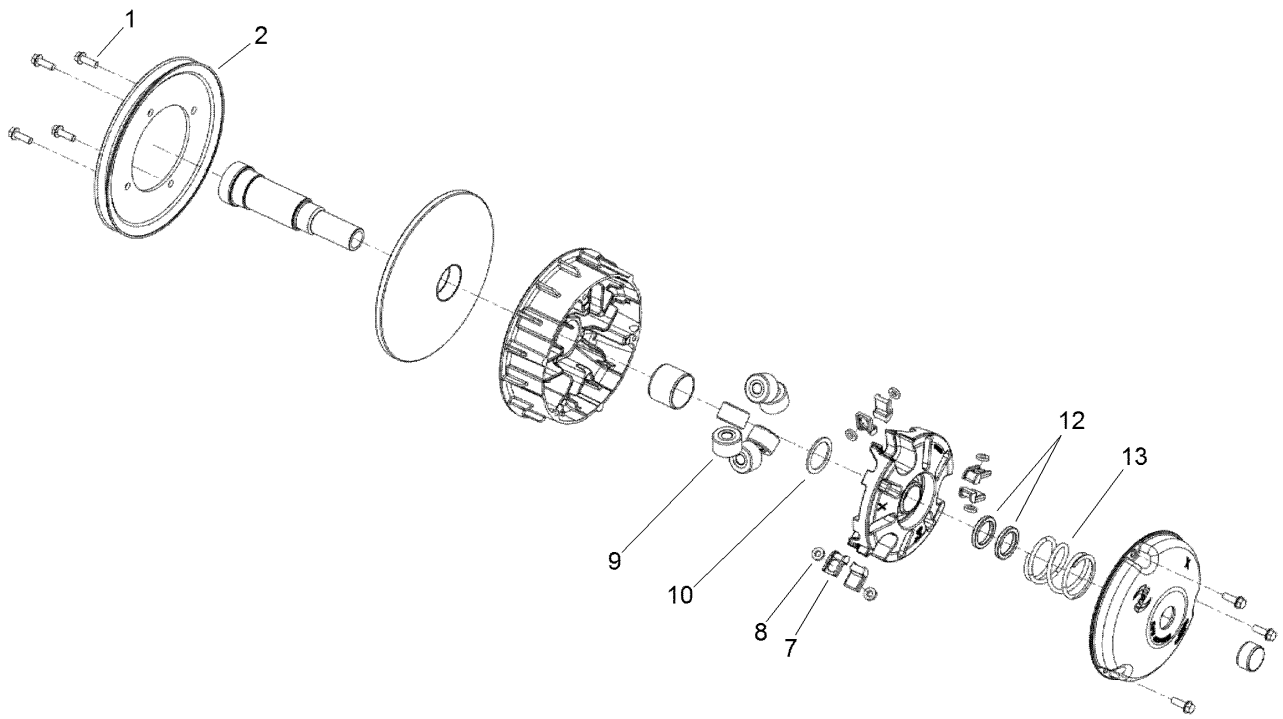
Secondary Clutch Assembly No. 119-6011

| <i>Ref.</i> | <i>Part Number</i> | <i>Qty.</i> | <i>Description</i> |
|-------------|--------------------|-------------|----------------------------------|
| 3 | 119-0809 | 1 | Cup-Spring Retainer, Inner |
| 4 | 119-9360 | 1 | Spring-Compression, Black/Almond |
| 5 | 119-0810 | 1 | Cup-Spring Retainer, Outer |
| 6 | 119-0811 | 1 | Ring-Retaining |
| 7 | 119-6018 | 1 | Shim-Thrust |



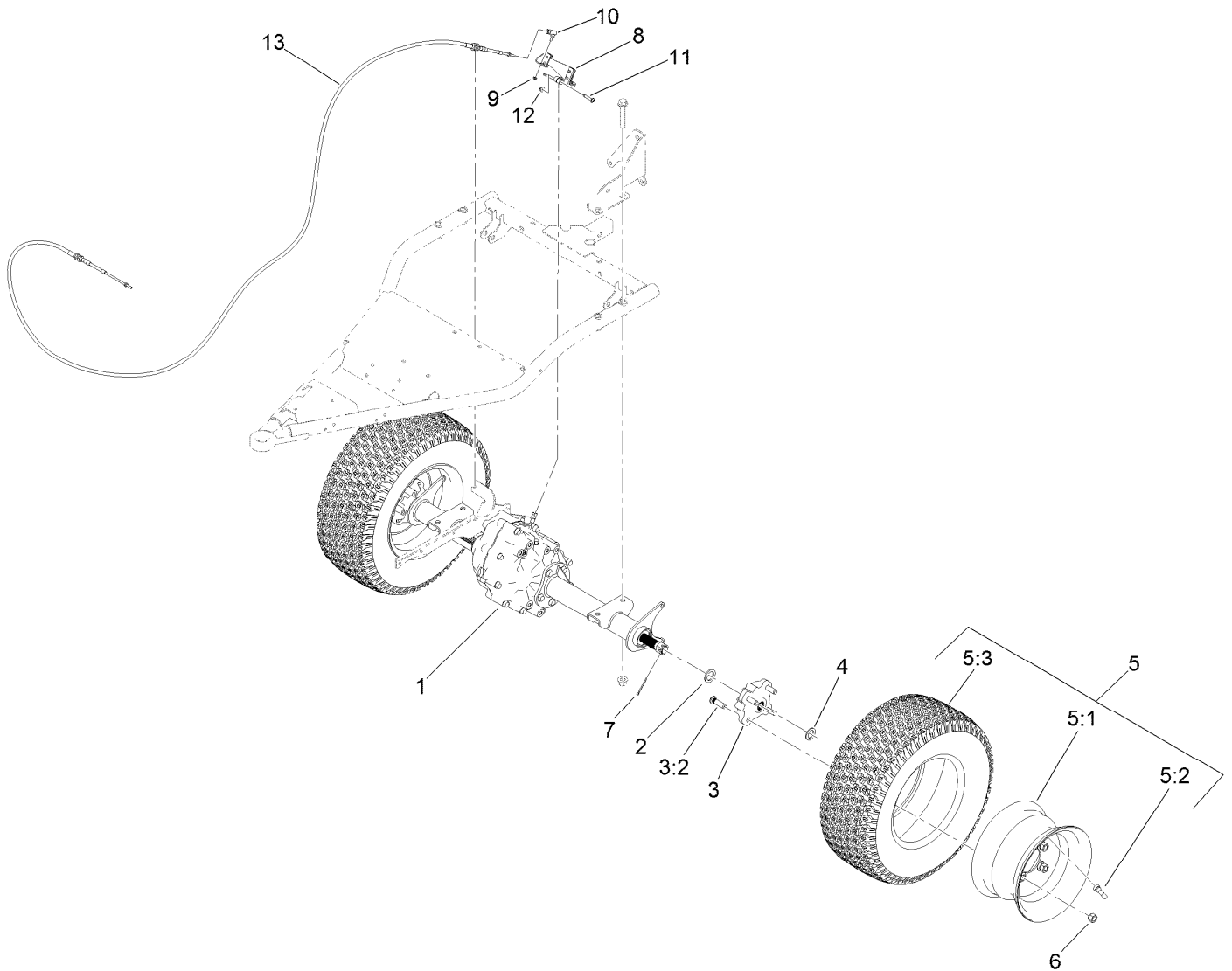
Air Cleaner Assembly No. 138-3447

| <i>Ref.</i> | <i>Part Number</i> | <i>Qty.</i> | <i>Description</i> |
|-------------|--------------------|-------------|-------------------------------|
| 1 | 136-7859 | 1 | Rain Cap Kit |
| 1:1 | 1-643009 | 1 | Clamp-Hose |
| 2 | 95-5806 | 1 | Bracket-Mounting, Air Cleaner |
| 3 | 87-9400 | 1 | Valve-Vacuator |
| 4 | 108-3811 | 1 | Filter-Air |
| 5 | 281-7 | 1 | Cap-Pipe |
| 6 | 94-3652 | 1 | Cover ASM |
| 6:1 | 1-643283 | 2 | Latch-Cleaner, Air |



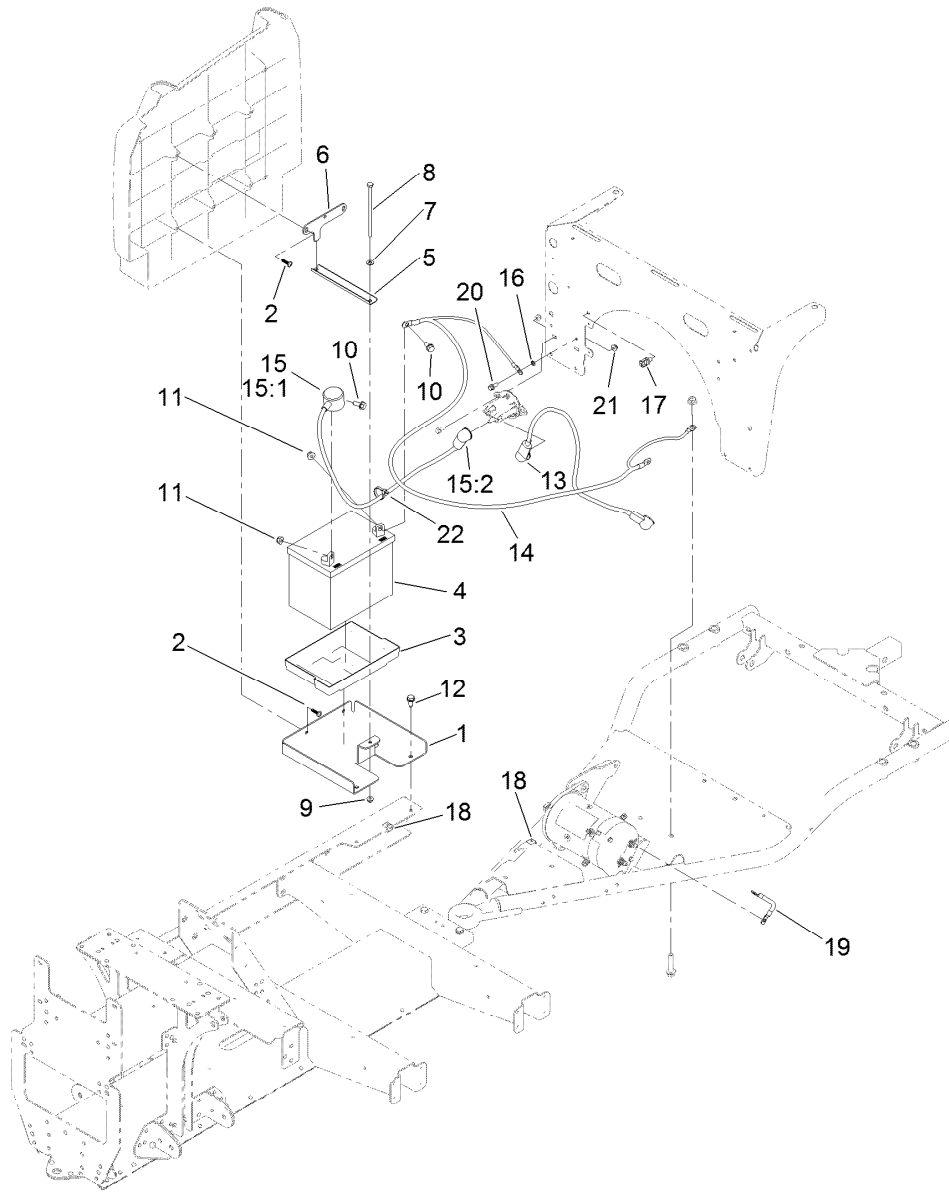
Primary Clutch Assembly No. 138-0095

| <i>Ref.</i> | <i>Part Number</i> | <i>Qty.</i> | <i>Description</i> |
|-------------|--------------------|-------------|------------------------|
| 1 | 49-2040 | 7 | Screw-HWHTF |
| 2 | 119-0813 | 1 | Pulley-Primary |
| 7 | 127-8689 | 6 | Button-Primary, Torque |
| 8 | 127-8690 | 6 | Plug-Button, Torque |
| 9 | 119-0804 | 6 | Weight-Roller |
| 10 | 119-0812 | 1 | Shim-Spider |
| 12 | 119-0807 | 2 | Shim-Limiter |
| 13 | 119-9532 | 1 | Spring-Red/White |



Rear Wheel and Transaxle Assembly

| Ref. | Part Number | Qty. | Description | Ref. | Part Number | Qty. | Description |
|------|-------------|------|--------------------|------|-------------|------|--------------|
| 1 | 131-3486 | 1 | Transaxle | 6 | 242-50 | 8 | Nut-Lug |
| 2 | 131-8570 | 2 | Spacer-Hardened | 7 | 1-806800 | 2 | Pin-Cotter |
| 3 | 127-8848 | 2 | Rear Hub ASM | 8 | 133-7260-03 | 1 | Arm-Shift |
| 3:2 | 10-6830 | 4 | Stud-Type, Drive | 9 | 3296-27 | 1 | Nut-Lock, NI |
| 4 | 3-7898 | 2 | Washer-Thrust | 10 | 2411-38 | 1 | Joint-Ball |
| 5 | 139-4495 | 2 | Wheel And Tire ASM | 11 | 132-6777 | 1 | Screw-TTH |
| 5:1 | 131-8317 | 1 | Wheel | 12 | 104-7201 | 1 | Nut-HF |
| 5:2 | 232-27 | 1 | Stem-Valve | 13 | 127-8897 | 1 | Cable-Shift |
| 5:3 | 139-4475 | 1 | Tire-20 X 8.00-10 | | | | |

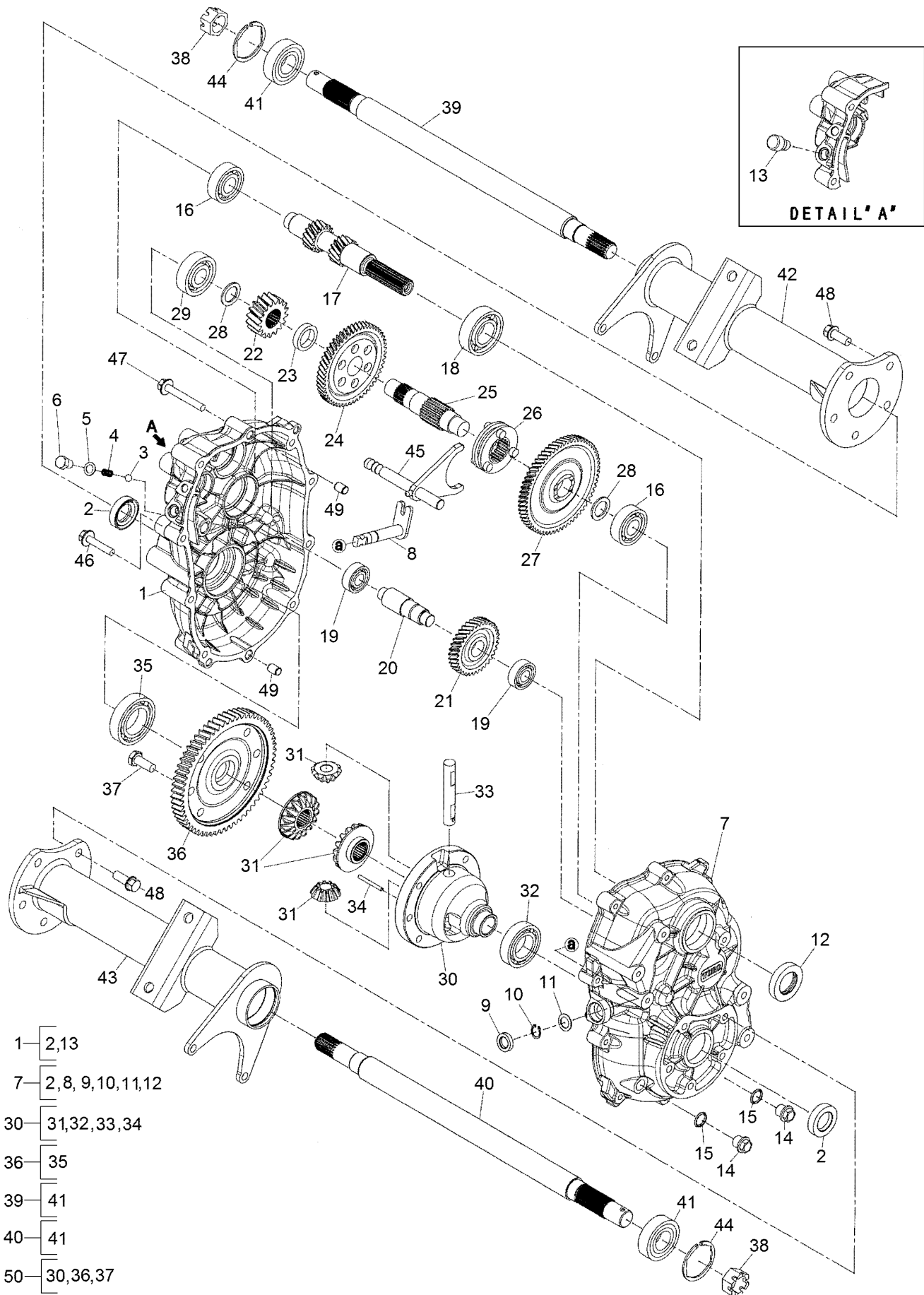


Battery and Cable Assembly

| <i>Ref.</i> | <i>Part Number</i> | <i>Qty.</i> | <i>Description</i> | <i>Ref.</i> | <i>Part Number</i> | <i>Qty.</i> | <i>Description</i> |
|-------------|--------------------|-------------|-------------------------|-------------|--------------------|-------------|-----------------------------------|
| 1 | 127-7810-03 | 1 | Base-Battery | 15 | 109-7621 | 1 | Positive Battery Cable ASM |
| 2 | 120-2349 | 4 | Screw | 15:1 | 1-543393 | 1 | Insulator-Solenoid |
| 3 | 106948 | 1 | Tray-Battery | 15:2 | 109-2407 | 1 | Insulator-Battery |
| 4 | 104-8162 | 1 | Battery | 16 | 3255-7 | 1 | Washer-Lock/EXT |
| 5 | 127-7816-03 | 1 | Channel-Clamp, Battery | 17 | 32180-030 | 1 | Clip-Tie |
| 6 | 127-7814-03 | 1 | Plate-Clamp, Battery | 18 | 32180-082 | 3 | Clip-Edge W/Tie, Perpendicular |
| 7 | 3256-22 | 1 | Washer-Flat | 19 | 122-1176 | 1 | Cable-Battery, Negative |
| 8 | 321-47 | 1 | Screw-HH | 20 | 3234-33 | 1 | Screw-HHF |
| 9 | 104-7201 | 1 | Nut-HF | 21 | 104-7201 | 1 | Nut-HF |
| 10 | 3234-5 | 2 | Screw-HHF | 22 | 3290-378 | 1 | Tie-Cable |
| 11 | 104-8300 | 2 | Nut-HF, NI | 99 | 107-0392 | 1 | Protection-Terminal, Aerosol ● |
| 12 | 32144-70 | 2 | Screw-HWHTF | | | | |
| 13 | 122-0639 | 1 | Cable-Battery, Positive | | | | |
| 14 | 122-0638 | 1 | Cable-Battery, Negative | | | | |

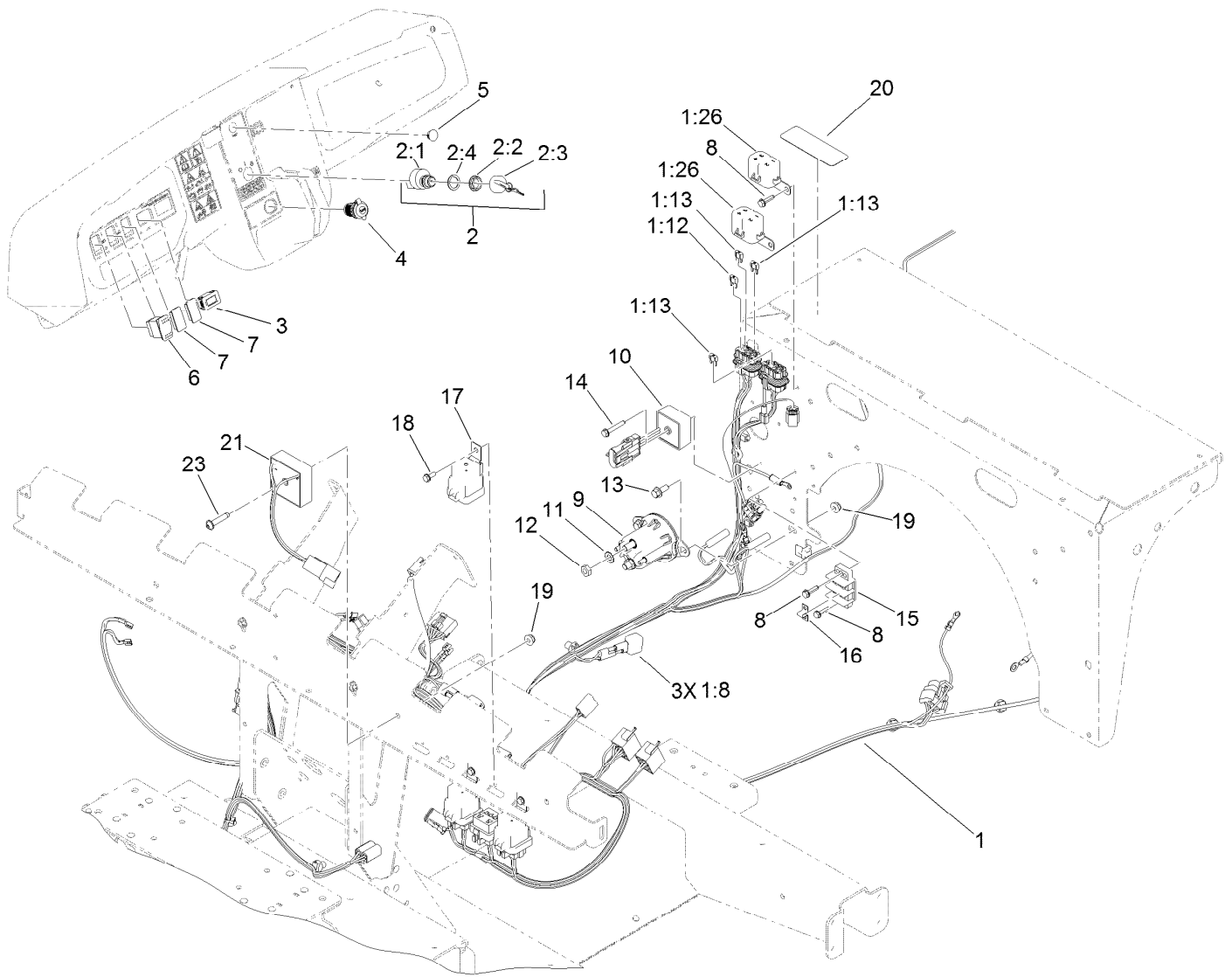
● Not illustrated

Transaxle Assembly No. 131-3486



Transaxle Assembly No. 131-3486 (continued)

| <i>Ref.</i> | <i>Part Number</i> | <i>Qty.</i> | <i>Description</i> | <i>Ref.</i> | <i>Part Number</i> | <i>Qty.</i> | <i>Description</i> |
|-------------|--------------------|-------------|--------------------|-------------|--------------------|-------------|------------------------|
| 1 | 133-2400 | 1 | Case-LH | 26 | 133-2419 | 1 | Clutch-Pin |
| 2 | 133-2401 | 2 | Seal-Oil | 27 | 133-2420 | 1 | Gear |
| 3 | 104-1660 | 1 | Ball-Steel | 28 | 133-2421 | 2 | Spacer |
| 4 | 104-1661 | 1 | Spring | 29 | 133-2422 | 1 | Bearing-Ball |
| 5 | 104-1662 | 1 | Gasket | 30 | 133-2423 | 1 | Case-Differential |
| 6 | 104-1663 | 1 | Bolt | 31 | 133-2424 | 1 | Set-Gear, Differential |
| 7 | 133-2402 | 1 | Case-RH | 32 | 133-2425 | 1 | Bearing-Ball |
| 8 | 133-2403 | 1 | Shaft-Select | 33 | 104-1644 | 1 | Shaft-Differential |
| 9 | 133-2446 | 1 | Seal-Oil | 34 | 104-1645 | 1 | Pin |
| 10 | 133-2404 | 1 | Ring-Snap | 35 | 133-2426 | 1 | Bearing-Ball |
| 11 | 133-2405 | 1 | Spacer | 36 | 133-2427 | 1 | Gear |
| 12 | 104-1607 | 1 | Seal-Oil | 37 | 104-1649 | 6 | Bolt |
| 13 | 133-2406 | 1 | Breather-Air | 38 | 133-2428 | 2 | Nut-Castle |
| 14 | 133-2407 | 2 | Plug-Drain, Oil | 39 | 133-2429 | 1 | Shaft-Axle, LH |
| 15 | 133-2408 | 2 | Gasket | 40 | 133-2430 | 1 | Shaft-Axle, RH |
| 16 | 133-2409 | 2 | Bearing-Ball | 41 | 133-2431 | 2 | Bearing-Ball |
| 17 | 133-2410 | 1 | Shaft-Input | 42 | 133-2432 | 1 | Case-Axle, LH |
| 18 | 133-2411 | 1 | Bearing-Ball | 43 | 133-2433 | 1 | Case-Axle, RH |
| 19 | 133-2412 | 2 | Bearing-Ball | 44 | 133-2434 | 2 | Ring-Snap |
| 20 | 133-2413 | 1 | Shaft-Counter | 45 | 133-2435 | 1 | Shaft-Shift |
| 21 | 133-2414 | 1 | Gear | 46 | 133-2436 | 1 | Bolt-Flange |
| 22 | 133-2415 | 1 | Gear | 47 | 133-2437 | 9 | Bolt-Flange |
| 23 | 133-2416 | 1 | Collar | 48 | 133-2438 | 10 | Bolt-Flange |
| 24 | 133-2417 | 1 | Gear | 49 | 133-2439 | 2 | Pipe-Knock |
| 25 | 133-2418 | 1 | Shaft-Center | 50 | 133-2440 | 1 | Differential ASM |

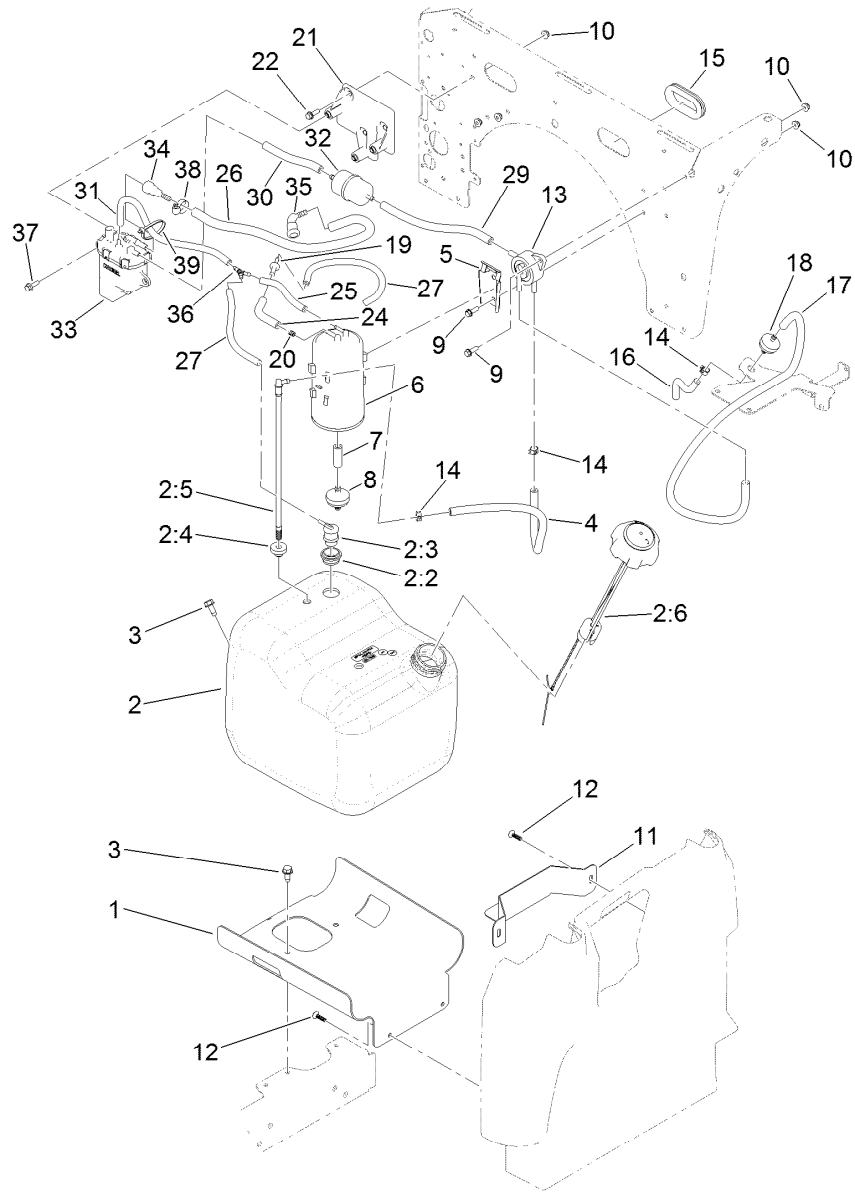


Electrical Assembly

| Ref. | Part Number | Qty. | Description | Ref. | Part Number | Qty. | Description |
|------|-------------|------|-------------------------|------|-------------|------|-----------------------------|
| 1 | 122-1473 | 1 | Harness-Wire, Main | 7 | 99-7420 | 2 | Plug-Hole |
| 1:8 | 100-4918 | 3 | Diode | 8 | 100-4351 | 5 | Screw-HWH |
| 1:12 | 121-8867 | 1 | Fuse-Mini Blade, 15 Amp | 9 | 114-3315 | 1 | Solenoid |
| 1:13 | 121-8866 | 3 | Fuse-Mini Blade, 10 Amp | 10 | 119-9492 | 1 | Regulator-Voltage |
| 1:14 | 32160-093 | 1 | Connector-Mp280, 2M ● | 11 | 3255-8 | 2 | Washer-Lock |
| 1:23 | 32180-056 | 1 | Cap ● | 12 | 3220-2 | 2 | Nut-Jam |
| 1:24 | 32180-156 | 1 | Cap-Plug, 6 Way ● | 13 | 3234-33 | 2 | Screw-HHF |
| 1:26 | 32180-179 | 2 | Cover-Bussman | 14 | 100-4352 | 1 | Screw-HWH |
| 2 | 122-1145 | 1 | Ignition Switch ASM | 15 | 42862 | 1 | Block-Terminal, Ground |
| 2:1 | | 1 | Switch-Ignition ■ | 16 | 42863 | 1 | Strip-Jumper |
| 2:2 | 108-8660 | 1 | Nut-Mounting | 17 | 99-7430 | 3 | Relay-Mini |
| 2:3 | 106-5270 | 1 | Ignition Key Set | 18 | 32144-1 | 3 | Screw-Taptite |
| 2:4 | 108-8659 | 1 | Washer-Backup | 19 | 104-7201 | 4 | Nut-HF |
| 3 | 120-2244 | 1 | Hourmeter | 20 | 139-3340 | 1 | Decal-Fuse Block, EFI |
| 4 | 131-8388 | 1 | Socket-USB | 21 | 138-0085 | 1 | Timer-Delay, 30 Sec (1 Amp) |
| 5 | 94-5627 | 1 | Plug | 23 | 132-6777 | 1 | Screw-TTH |
| 6 | 95-8999 | 1 | Switch | | | | |

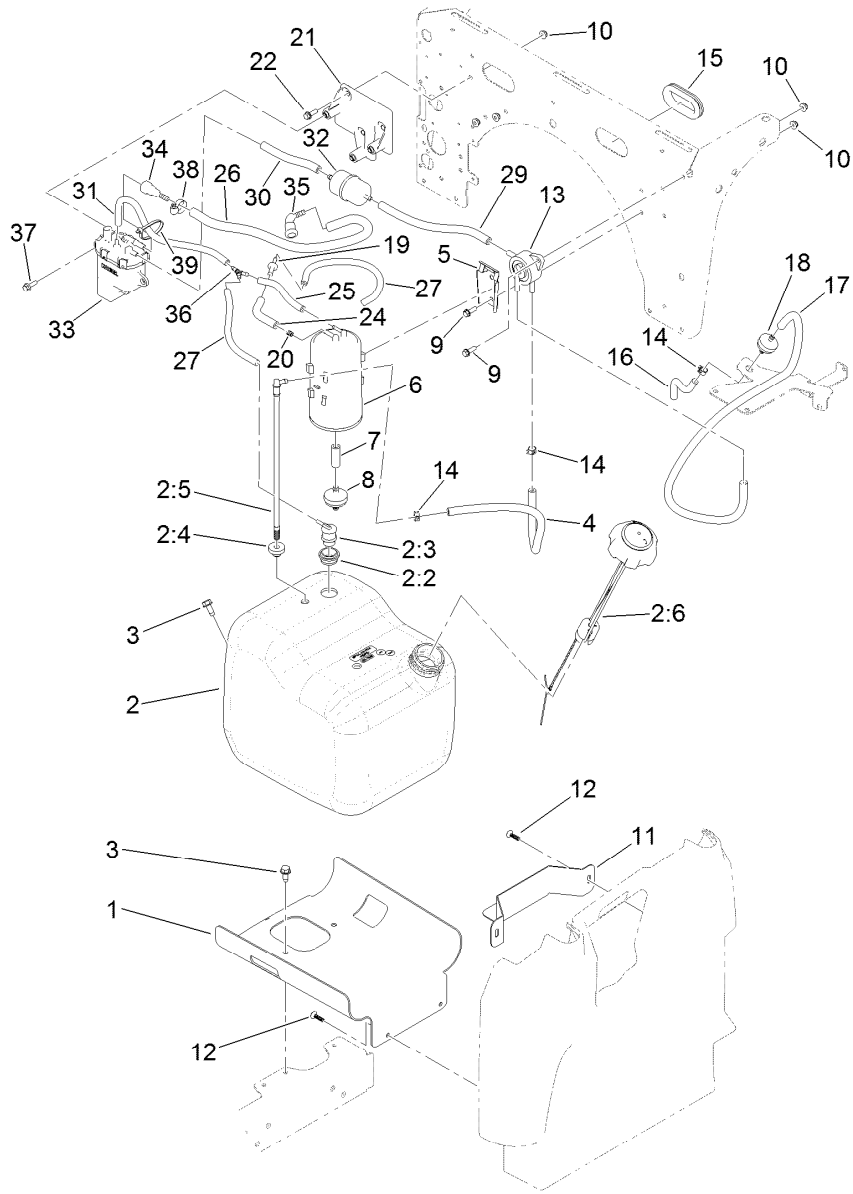
● Not illustrated

■ Not serviced separately



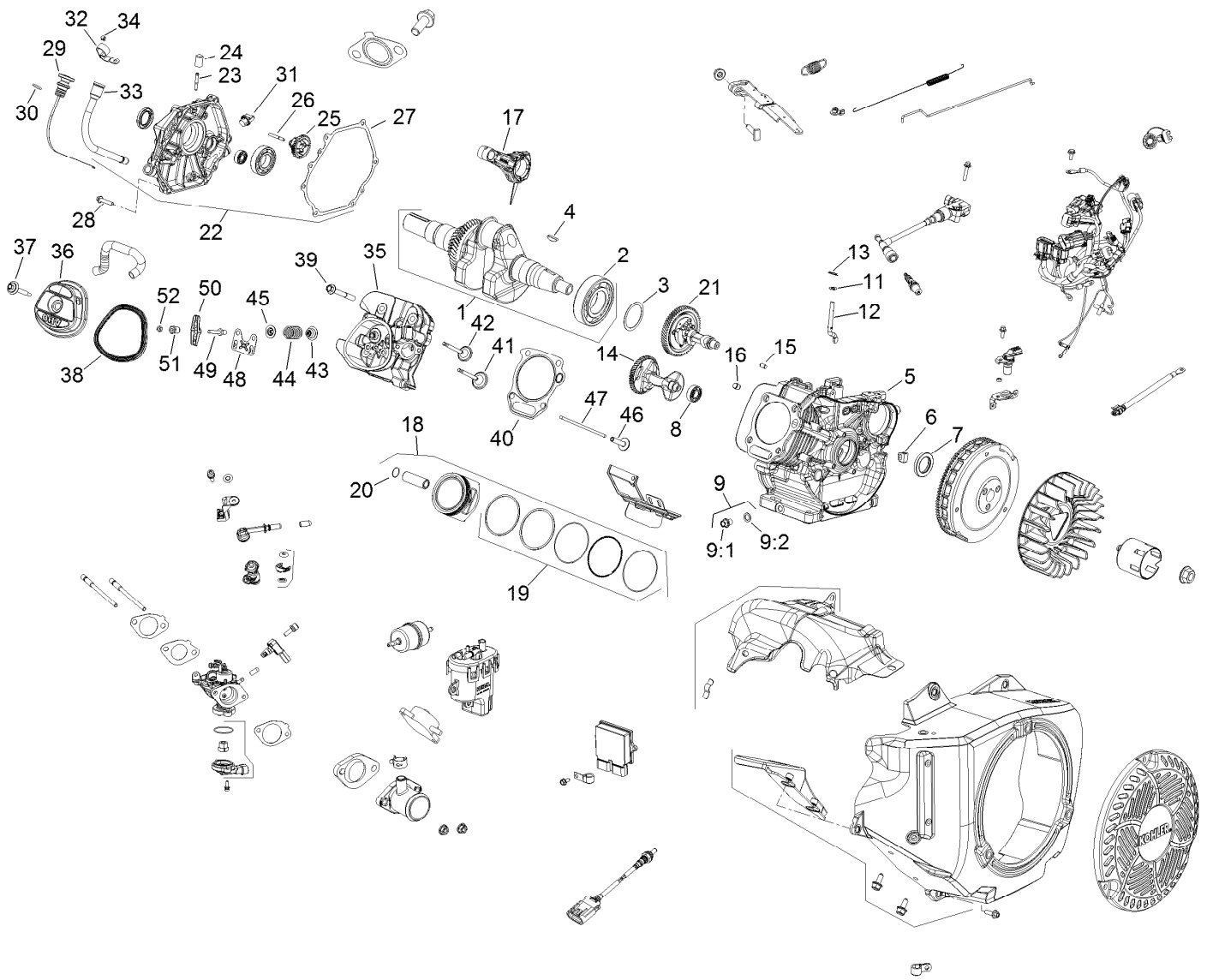
Fuel System Assembly

| Ref. | Part Number | Qty. | Description | Ref. | Part Number | Qty. | Description |
|------|-------------|------|--------------------------|------|-------------|------|------------------------------------|
| 1 | 127-7739-03 | 1 | Mount-Tank, Fuel | 16 | 140-4825 | 1 | Hose-Pulse (.212 X 5.00, J200, LP) |
| 2 | 127-7849 | 1 | Fuel Tank ASM | 17 | 109-3491 | 1 | Hose-Fuel |
| 2:2 | 114-0284 | 1 | Grommet | 18 | 56-6360 | 1 | Filter-Fuel |
| 2:3 | 114-0285 | 1 | Valve-Rollover | 19 | 117-5399 | 1 | Adaptor-Orifice |
| 2:4 | 46-6560 | 1 | Bushing | 20 | 120-2038 | 1 | Cartridge-Valve, Check |
| 2:5 | 115-9044 | 1 | Pipe-Stand | 21 | 136-6346 | 1 | Bracket-Pump, Fuel |
| 2:6 | 131-8357 | 1 | Cap-Gauge | 22 | 115-5103 | 3 | Screw-HHF |
| 3 | 32144-70 | 3 | Screw-HWHTF | 24 | 114-3765 | 1 | Hose-Fuel |
| 4 | 114-4428 | 1 | Hose-Fuel | 25 | 68-3632 | 1 | Hose-Fuel |
| 5 | 114-0292 | 1 | Bracket-Canister, Carbon | 26 | 136-6343 | 1 | Hose-Fuel |
| 6 | 127-8685 | 1 | Canister-Carbon | 27 | 136-6345 | 2 | Hose-Fuel |
| 7 | 106-5317 | 1 | Hose-Fuel | 29 | 109-0282 | 1 | Hose-Fuel |
| 8 | 115-7854 | 1 | Filter-Fuel, Inline | 30 | 109-0650 | 1 | Hose-Fuel |
| 9 | 32105-15 | 4 | Screw-HWH | 31 | 136-6344 | 1 | Hose-Fuel |
| 10 | 104-7201 | 7 | Nut-HF | 32 | 94-9695 | 1 | Filter-Fuel |
| 11 | 127-7845-05 | 1 | Bracket-Fuel Tank | 33 | 136-6347 | 1 | Pump-Fuel, EFI |
| 12 | 120-2349 | 4 | Screw | 34 | 125-2921 | 1 | Fitting-Fuel |
| 13 | 131-8526 | 1 | Pump-Fuel | 35 | 121-5585 | 1 | Fitting-Fuel |
| 14 | 2412-98 | 8 | Clamp-Hose | 36 | 136-6339 | 1 | Fitting-Fuel |
| 15 | 240-12 | 1 | Grommet-Rubber | 37 | 33103-020 | 3 | Screw-HHF |



Fuel System Assembly (continued)

| <i>Ref.</i> | <i>Part Number</i> | <i>Qty.</i> | <i>Description</i> |
|-------------|--------------------|-------------|--------------------|
| 38 | 2412-36 | 2 | Clamp-Hose |
| 39 | 3290-378 | 1 | Tie-Cable |

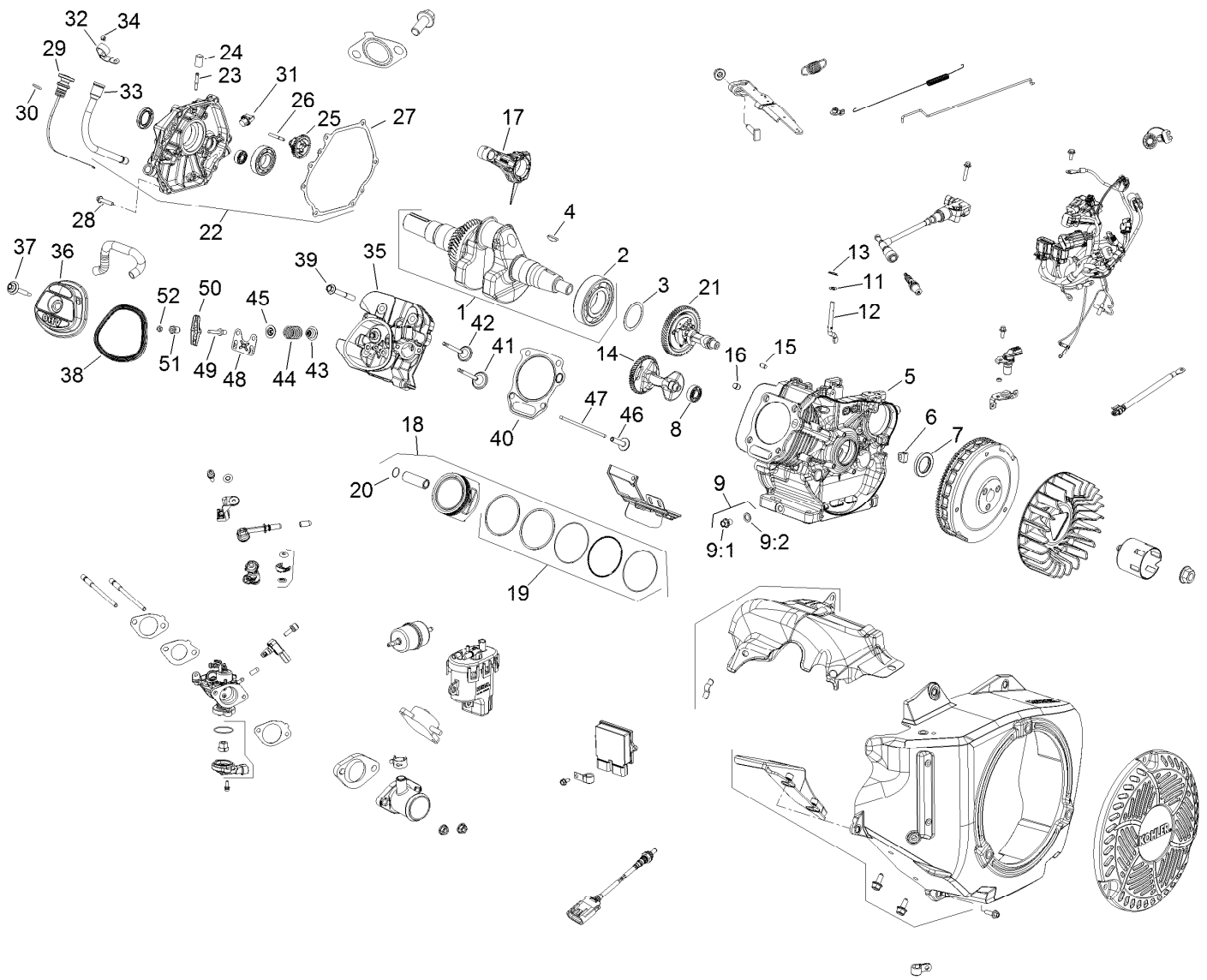


Engine Assembly No. 137-9893

| Ref. | Part Number | Qty. | Description | Ref. | Part Number | Qty. | Description |
|------|-------------|------|----------------------------|------|-------------|------|-------------------------|
| 1 | 136-4909 | 1 | Crankshaft ASM | 18 | 136-4977 | 1 | Piston W/Ring Set (STD) |
| 2 | 136-4918 | 2 | Bearing-Crankshaft | 18 | 136-4978 | 1 | Piston Kit (0.25 Os) |
| 3 | 136-4917 | 4 | Bearing-Shaft, Balance | 18:1 | | 1 | Piston (STD) ●■ |
| 4 | 136-4906 | 1 | Key-Flywheel | 18:1 | | 1 | Piston (0.25 Os) ●■ |
| 5 | | 1 | Crankcase (Not Serviced) ■ | 18:2 | 136-4937 | 1 | Ring Set ● |
| 6 | 136-4957 | 1 | Grommet-Crankcase | 18:2 | | 1 | Ring Set (0.25 Os) ●■ |
| 7 | 136-4920 | 2 | Seal-Crankshaft | 18:3 | 136-4913 | 2 | Retainer-Piston ● |
| 8 | 136-4916 | 2 | Adapter-Inlet, Air | 18:3 | 136-4913 | 2 | Retainer-Piston ● |
| 9 | 136-4942 | 2 | Drain Plug Kit | 18:4 | | 1 | Wrist Pin ●■ |
| 9:1 | | 1 | Plug-Drain ■ | 18:4 | | 1 | Pin-Wrist ●■ |
| 9:2 | 136-4967 | 1 | Washer-Plug, Drain | 19 | 136-4937 | 2 | Ring Set |
| 11 | 136-4968 | 2 | Washer-Flat | 20 | 136-4913 | 2 | Retainer-Piston |
| 12 | 136-4944 | 1 | Shaft-Cross, Governor | 21 | 136-4908 | 1 | Camshaft ASM |
| 13 | 136-4904 | 1 | Clip-Shaft, Governor | 22 | 140-2402 | 1 | Kit-Closure Plate |
| 14 | 136-4945 | 1 | Shaft-Balance | 23 | 136-4955 | 1 | Fitting-Pump, Pulse |
| 15 | 136-4965 | 2 | Pin-Dowel | 24 | 140-2403 | 1 | Cap-Masking |
| 16 | 136-4964 | 2 | Pin-Dowel, Cylinder Head | 25 | 136-4956 | 1 | Governor ASM |
| 17 | 140-2401 | 1 | Connecting Rod ASM | 26 | 136-4943 | 1 | Shaft-Gear, Governor |

● Not illustrated

■ Not serviced separately

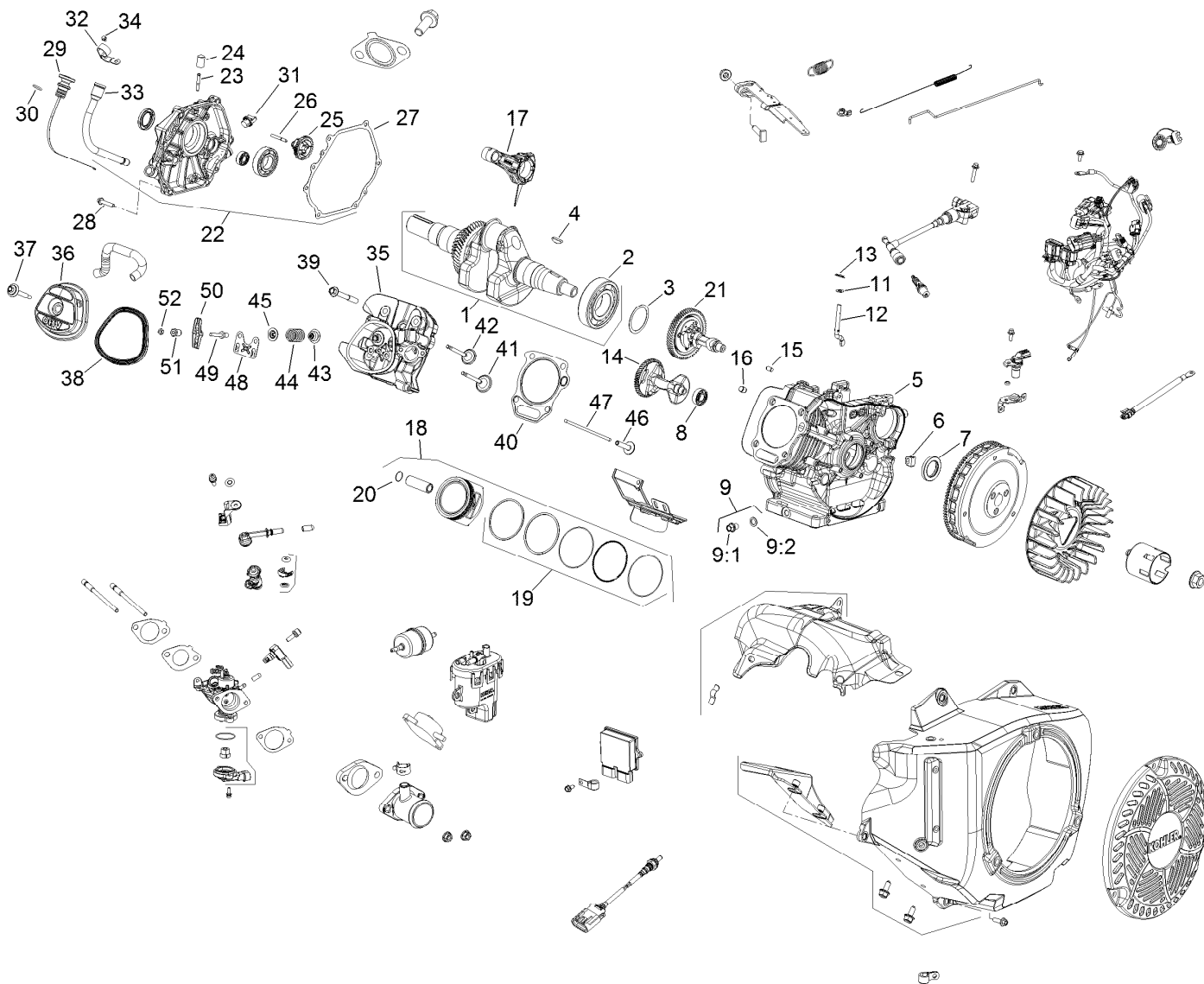


Engine Assembly No. 137-9893 (continued)

| Ref. | Part Number | Qty. | Description | Ref. | Part Number | Qty. | Description |
|------|-------------|------|--------------------------------|--------|-------------|------|------------------------------|
| 27 | 136-4923 | 1 | Gasket-Plate, Closure | 36:3:1 | | 1 | Screw-Cover, Valve ●■ |
| 28 | 136-4983 | 7 | Screw-Plate, Closure | 36:3:2 | | 1 | Gasket-Screw, Valve Cover ●■ |
| 29 | 140-2404 | 1 | Dipstick ASM | 37 | 136-4988 | 1 | Screw (Valve Cover Seal ASM) |
| 30 | 140-2405 | 1 | O-Ring-Dipstick Cap | 37:1 | | 1 | Screw-Cover, Valve ●■ |
| 31 | 136-4952 | 1 | Oil Fill Cap ASM | 37:2 | | 1 | Gasket-Screw, Valve Cover ●■ |
| 31:1 | | 1 | Oil Fill Cap ●■ | 38 | 136-4927 | 1 | Gasket-Cover, Valve |
| 31:2 | | 1 | Gasket ●■ | 39 | 140-2407 | 4 | Screw-Hex Flange |
| 32 | 140-2406 | 1 | Bracket-Dipstick Tube | 40 | 140-2408 | 1 | Head Gasket Kit |
| 33 | 138-9383 | 1 | Dip Stick Tube ASM | 41 | 136-4911 | 1 | Valve-Intake |
| 34 | 136-4991 | 1 | Screw-HF | 42 | 136-4912 | 1 | Retainer-Spring, Valve |
| 35 | 136-4961 | 1 | Cylinder Head Kit | 43 | 136-4919 | 2 | Seal-Stem, Valve |
| 35:1 | | 1 | Head-Cylinder ●■ | 44 | 136-4931 | 2 | Spring-Valve |
| 35:2 | 136-4929 | 2 | Stud-Intake ● | 45 | 136-4912 | 2 | Retainer-Spring, Valve |
| 36 | 136-4935 | 1 | Valve Cover Kit | 46 | 136-4963 | 2 | Lifter-Valve |
| 36:1 | | 1 | Cover-Valve ●■ | 47 | 136-4966 | 2 | Rod-Push |
| 36:2 | 136-4927 | 1 | Gasket-Cover, Valve ● | | | | |
| 36:3 | 136-4988 | 1 | Screw (Valve Cover Seal ASM) ● | | | | |

● Not illustrated

■ Not serviced separately



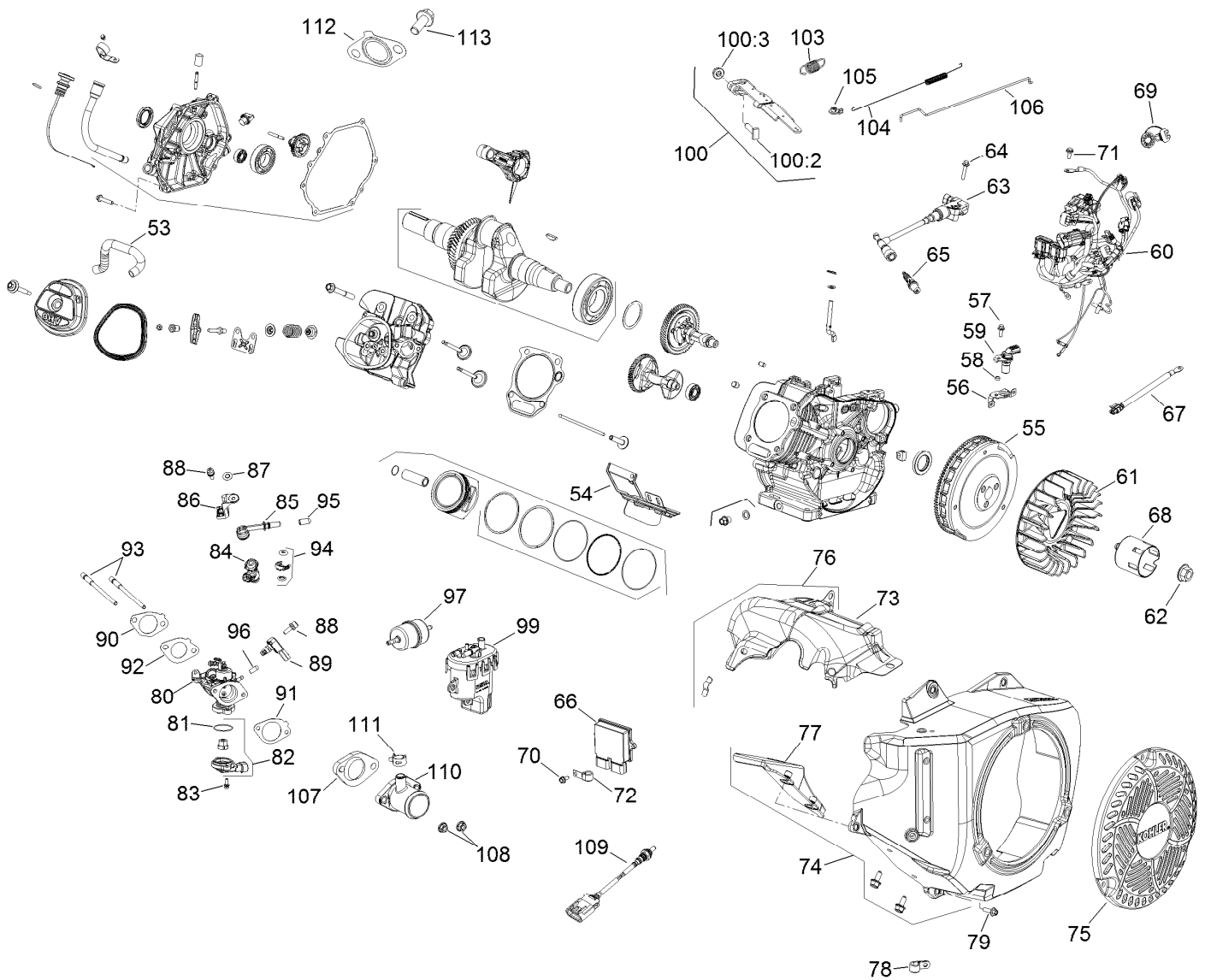
Engine Assembly No. 137-9893 (continued)

| Ref. | Part Number | Qty. | Description |
|------|-------------|------|----------------------|
| 48 | 136-4946 | 1 | Plate-Guide, Pushrod |
| 49 | 136-4900 | 2 | Stud-Arm, Rocker |
| 50 | 136-4953 | 2 | Arm-Rocker |

| Ref. | Part Number | Qty. | Description |
|------|-------------|------|-------------------|
| 51 | 136-4907 | 2 | Pivot-Arm, Rocker |
| 52 | 136-4901 | 2 | Nut-HJ |

● Not illustrated

■ Not serviced separately

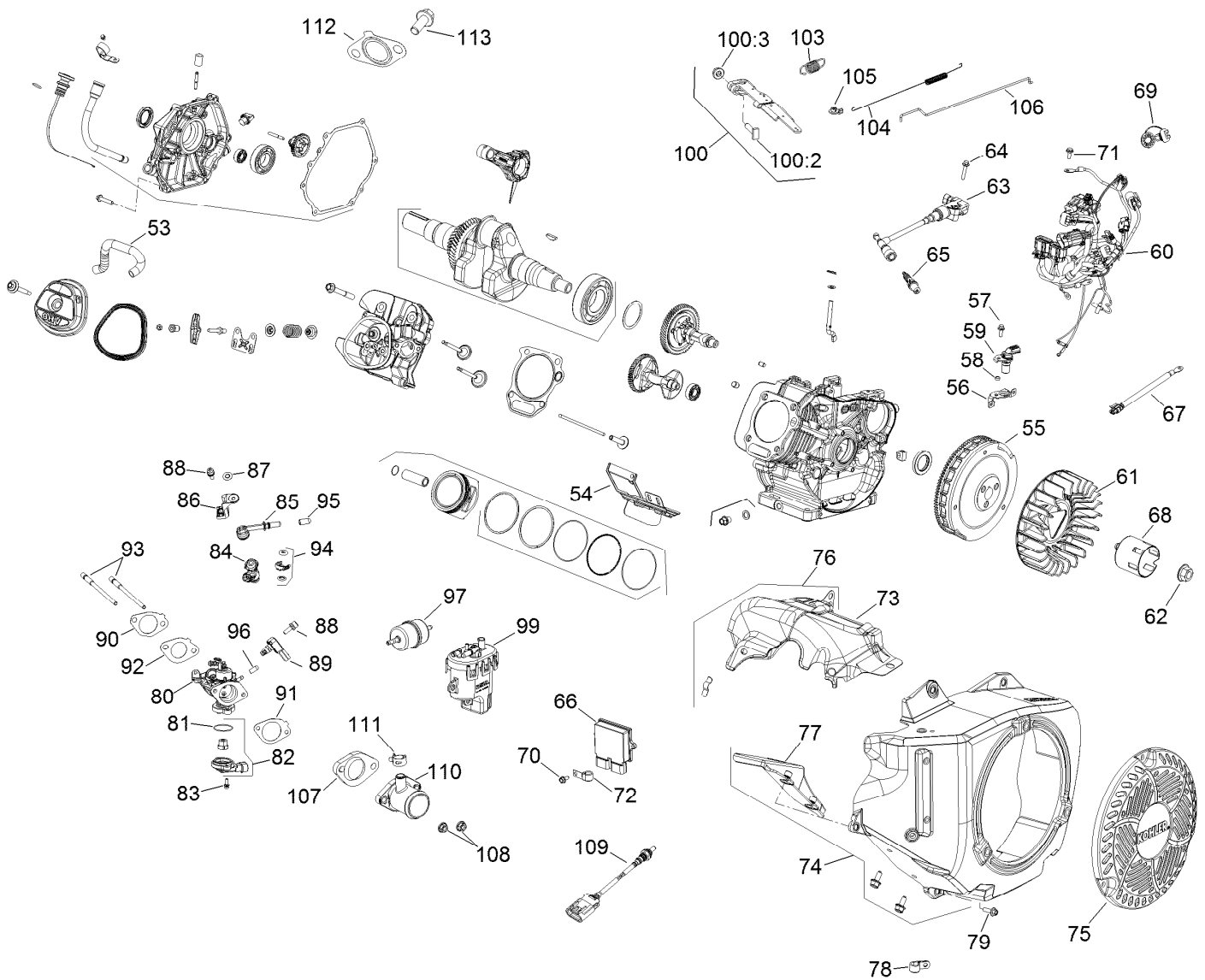


Engine Assembly No. 137-9893

| Ref. | Part Number | Qty. | Description | Ref. | Part Number | Qty. | Description |
|------|-------------|------|----------------------|------|-------------|------|------------------------------|
| 53 | 136-4962 | 1 | Hose-Breather | 71 | 140-2422 | 3 | Screw-M6 X 16 |
| 54 | 140-2409 | 1 | Cylinder Shield ASM | 72 | 140-2423 | 1 | Clip-Cable |
| 55 | 140-2410 | 1 | Flywheel ASM | 73 | 140-2424 | 1 | Shield-Heat, Upper |
| 56 | 140-2411 | 1 | Bracket-Crank Sensor | 74 | 140-2425 | 1 | Blower Housing Kit |
| 57 | 140-2412 | 1 | Screw-Hex Flange | 75 | 136-4950 | 1 | Screen-Housing, Blower |
| 58 | 140-2413 | 1 | Spacer | 76 | 140-2426 | 1 | Heat Shield Sm |
| 59 | 140-2414 | 1 | Sensor-Speed | 77 | 136-4958 | 1 | Flywheel Finger Guard ASM |
| 60 | 140-2415 | 1 | Wiring Harness ASM | 78 | 140-2427 | 1 | Clamp-Insulated |
| 61 | 136-4949 | 1 | Fan-Flywheel | 79 | 136-4982 | 5 | Screw |
| 62 | 136-4936 | 1 | Nut-Flywheel | 80 | 140-2428 | 1 | Throttle Body And Gasket Kit |
| 63 | 140-2416 | 1 | Coil-Ignition, EFI | 81 | 140-2429 | 1 | O-Ring |
| 64 | 140-2417 | 1 | Screw-Hex Flange, M6 | 82 | 140-2430 | 1 | Tps Kit |
| 65 | 131-8589 | 1 | Sparkplug | 83 | 140-2431 | 2 | Screw-Hexalob Sems M4 X 0.7 |
| 66 | 140-2419 | 1 | Module-Ecu | 84 | 140-2432 | 1 | Injector-Fuel |
| 67 | 140-2420 | 1 | Lead-Sensor, Temp | 85 | 140-2433 | 2 | Cap-Fuel Injector |
| 68 | 136-4938 | 1 | Cup-Drive, Starter | 86 | 140-2434 | 1 | Fuel Cap Bracket ASM |
| 69 | 140-2421 | 2 | Cap-Connector | | | | |
| 70 | 136-4979 | 9 | Screw-HF | | | | |

● Not illustrated

■ Not serviced separately



Engine Assembly No. 137-9893 (continued)

| Ref. | Part Number | Qty. | Description |
|------|-------------|------|---------------------------------|
| 87 | 140-2435 | 1 | Clip-Retainer |
| 88 | 140-2436 | 2 | Screw-Hexalob Sems M6 X 1 |
| 89 | 140-2437 | 1 | Sensor-Tmap |
| 90 | 136-4924 | 1 | Intake Gasket Kit |
| 90:1 | | 1 | Gasket (Insulator To Head) ●■ |
| 90:2 | 136-4925 | 1 | Gasket (Carb To Insulator) ● |
| 90:3 | 136-4926 | 1 | Gasket-Cleaner, Air ● |
| 91 | 140-2438 | 1 | Gasket-Throttle Body |
| 92 | 140-2439 | 1 | Gasket-Insulator, T-Body |
| 93 | 136-4929 | 2 | Stud-Intake |
| 94 | 140-2440 | 1 | Fuel Injector O-Ring Kit |
| 95 | 140-2441 | 1 | Cap-Masking |
| 96 | 140-2442 | 1 | Cap-Masking |
| 97 | 140-2443 | 1 | Filter-Fuel |
| 99 | 140-2452 | 1 | Fuel Pump Module Kit-World Wide |

| Ref. | Part Number | Qty. | Description |
|-------|-------------|------|--------------------------|
| 100 | 136-4934 | 1 | Governor Lever Kit |
| 100:1 | | 1 | Lever-Governor ●■ |
| 100:2 | 136-4980 | 1 | Screw-Rect Head |
| 100:3 | 136-4902 | 1 | Nut-HF |
| 103 | 136-4933 | 1 | Spring-Governor |
| 104 | 140-2446 | 1 | Spring-Linkage |
| 105 | 140-2447 | 1 | Bushing-Linkage Retainer |
| 106 | 140-2448 | 1 | Linkage-Governor |
| 107 | 140-2449 | 1 | Insulator-Throttle Body |
| 108 | 136-4903 | 2 | Nut-HF, Lock |
| 109 | 140-2450 | 1 | Sensor-Oxygen |
| 110 | 136-4916 | 1 | Adapter-Inlet, Air |
| 111 | 140-2451 | 1 | Clamp-Breather Hose |
| 112 | 136-4922 | 1 | Gasket-Muffler |
| 113 | 136-4985 | 2 | Screw |

● Not illustrated

■ Not serviced separately

Attachments and Accessories

For 07409 Workman GTX EFI Utility Vehicle

| Product Name | Model/Part |
|---------------------------------------------------------------------------------------|-------------------|
| Workman GTX 2-Person Canopy | 07921 |
| 12V Electric Lift Kit..... | 07144 |
| Brush Guard Kit..... | 07145 |
| Front Hitch Kit, Workman GTX Series Utility Vehicles with Brush Guard | 07146 |
| Front Hitch Kit, Workman GTX or MDX Series Utility Vehicles without Brush Guard | 07147 |
| Steel Flat Bed Kit..... | 07148 |
| Storage Box Kit..... | 07156 |
| Brake and Signal Light Kit..... | 132-8579 |
| Walk Spreader Mounting Kit | 07029 |
| 6in L-Track Kit..... | 07158 |
| 2in L-Track Kit..... | 07159 |
| Hose Reel Mounting Kit | 07027 |
| Aggressive Tire Kit..... | 07423 |
| Horn Kit..... | 133-3016 |
| Reverse Alarm Kit..... | 133-3018 |
| Power Point Kit | 131-8550 |
| Parking Brake Alarm Kit..... | 133-3019 |
| Trash Can Mounting Kit | 07028 |
| Spark Arrestor Screen Kit | 133-7109 |
| Bed Rack Kit..... | 07031 |
| Cab Kit..... | 07142 |
| Mount-Ball | 133-7116 |
| Road Light and Homologation Kit | 133-7128 |
| 12V Electric Bed Lift Kit | 07167 |
| Tire-20 8.00-10 | 116-7333 |
| MVP Kit 400 Hour | 136-6280 |
| Cab Mount Kit, Workman GTX Utility Vehicle with Extended Flatbed | 133-7198 |
| Service Hood ASM | 133-7209 |
| ROPS Kit | 07032 |
| Cargo Bed Kit | 07046 |
| Bench Seat Base Kit..... | 07047 |
| Bucket Seat Base Kit..... | 07048 |
| Extension Kit..... | 07049 |
| Small Bedrack Mount Grip Kit..... | 136-6311 |
| Large Bedrack Mount Grip Kit..... | 136-6312 |
| Wireless Hourmeter Kit..... | 136-6323 |
| Plate-Skid | 137-2886-03 |
| Switch-Ignition ASM, Key1 | 138-3500 |
| Switch-Ignition ASM, Key2 | 138-3501 |
| Switch-Ignition ASM, Key3 | 138-3502 |
| Switch-Ignition ASM, Key4 | 138-3503 |
| Switch-Ignition ASM, Key5 | 138-3504 |
| Glove Box Cover Kit | 137-2883 |
| Fold-Down Rear Facing Seat..... | 07123 |
| Door Mount Mirror Kit..... | 136-1997 |
| Lift Kit..... | 07414 |

Attachments and Accessories (continued)

| | |
|----------------------------------------------------------------------------------------|-------------|
| Tire/Wheel Asm | 131-8319 |
| Van Box | 07440 |
| Folding Windshield Kit, Workman GTX Utility Vehicle with Canopy | 07923 |
| Tire | 94-5236 |
| Shim-Limiter | 119-0807 |
| Exterior Mirror Kit | 130-5448 |
| Interior Mirror Kit | 130-5449 |
| Beacon Kit | 130-5484 |
| Work Light Kit | 130-5485 |
| Windshield Washer Fluid Kit, 2015 and after Workman MD/HD Series Utility Vehicle | 130-5615 |
| Small Seat Cover | 131-6690 |
| Wide Angle Mirror Kit | 133-1009 |
| Wide Angle Mirror Kit | 133-1038 |
| Bracket-Mount, Radio | 133-7111-03 |
| GTX Ball Cage ROPS, Certified | 07161 |
| Canopy W/ ROPS | 07169 |
| Canopy Mount Kit, Workman GTX Utility Vehicle with Extended Flatbed | 07199 |
| Full Shelf For Van Box | 07441 |

Notes:

Notes:



Count on it.