



TimeCutter® Riding Mower

Addendum

If the pulley covers on your mower deck are secured with a screw, follow this procedure for replacing the mower belt.

Replacing the Mower Belt

The signs of a worn belt include squealing while the belt is rotating, blades slipping while cutting grass, and frayed edges, burn marks, and cracks on the belt. Replace the mower belt if any of these conditions are evident.

1. Park the machine on a level surface, disengage the blade-control switch, and move the motion-control levers outward to the PARK position.
2. Shut off the engine, remove the key, and wait for all moving parts to stop before leaving the operating position.
3. Set the height of cut at the lowest cutting position (38 mm (1-1/2 inches)).
4. Loosen the screw and push in the tab on the cover to remove the pulley covers (Figure 1).

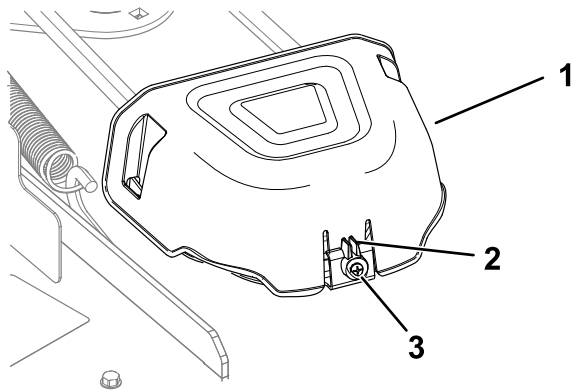


Figure 1

g296848

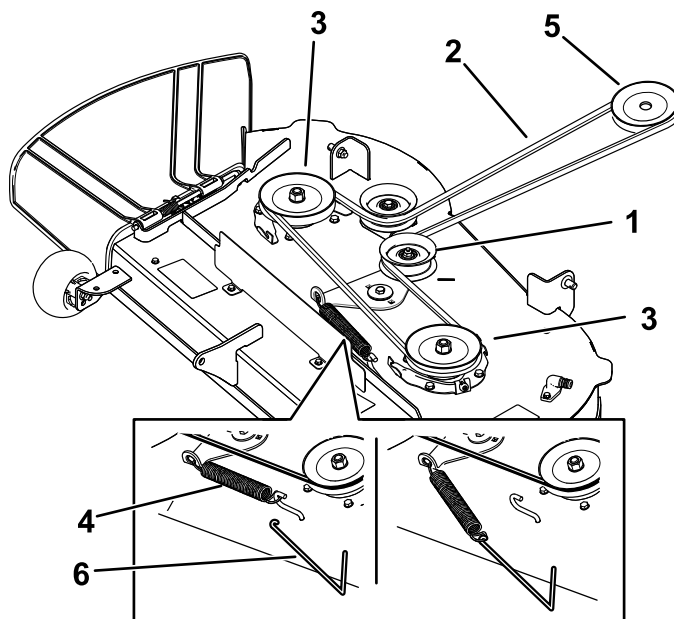
- | | |
|----------|----------|
| 1. Cover | 3. Screw |
| 2. Tab | |

5. Using a spring-removal tool (Toro Part No. 92-5771), remove the idler spring from the deck hook to remove tension on the idler pulley, and roll the belt off the pulleys (Figure 2 or Figure 3).

⚠ WARNING

The spring is under tension when installed and can cause personal injury.

Be careful when removing the belt.



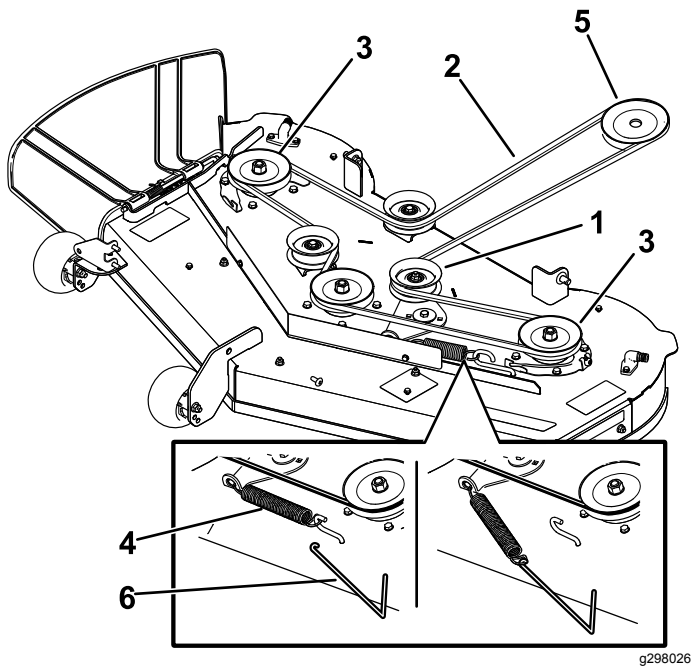
g298025

Figure 2

Mower decks with 2 blades

- | | |
|-------------------|------------------------|
| 1. Idler pulley | 4. Spring |
| 2. Mower belt | 5. Engine pulley |
| 3. Outside pulley | 6. Spring-removal tool |





g298026

Figure 3

Mower decks with 3 blades

- | | |
|-------------------|------------------------|
| 1. Idler pulley | 4. Spring |
| 2. Mower belt | 5. Engine pulley |
| 3. Outside pulley | 6. Spring-removal tool |

-
6. Route the new belt around the engine pulley and mower pulleys (Figure 2 or Figure 3).
 7. Using a spring-removal tool (Toro Part No. 92-5771), install the idler spring over the deck hook and place tension on the idler pulley and the mower belt (Figure 2 or Figure 3).
 8. Install the pulley covers and secure them with the screws.