



Count on it.

Parts Catalog

**Proline Commercial
Walk-Behind Mower with 36in Floating
Cutting Unit**

Model No. 44409—Serial No. 400000000 and Up



Ordering Replacement Parts

To order replacement parts, please supply the part number, the quantity, and the description of each part desired.

Understanding Reference Numbers

Each identified part in an illustration has a reference number. The reference number for a part also appears in the parts list, along with other information about the part.

This catalog uses two special reference number formats, one to indicate parts in a service assembly and another to indicate the quantity of a given part in an illustration.

Service Assembly Reference Numbers

Parts in service assemblies have reference numbers in the form a:b. The a represents the reference number of the entire service assembly and the b represents a sequential number unique to each part within the service assembly.

For example, a wheel assembly might be identified by reference number 6, the tire by 6:1, the valve by 6:2, and the wheel by 6:3. When you order the assembly identified by reference number 6, you receive all parts identified by reference numbers 6:1, 6:2, and 6:3. However, you may also order any part individually. Reference numbers of this type appear in illustration and in parts lists.

Reference Numbers Indicating Quantity

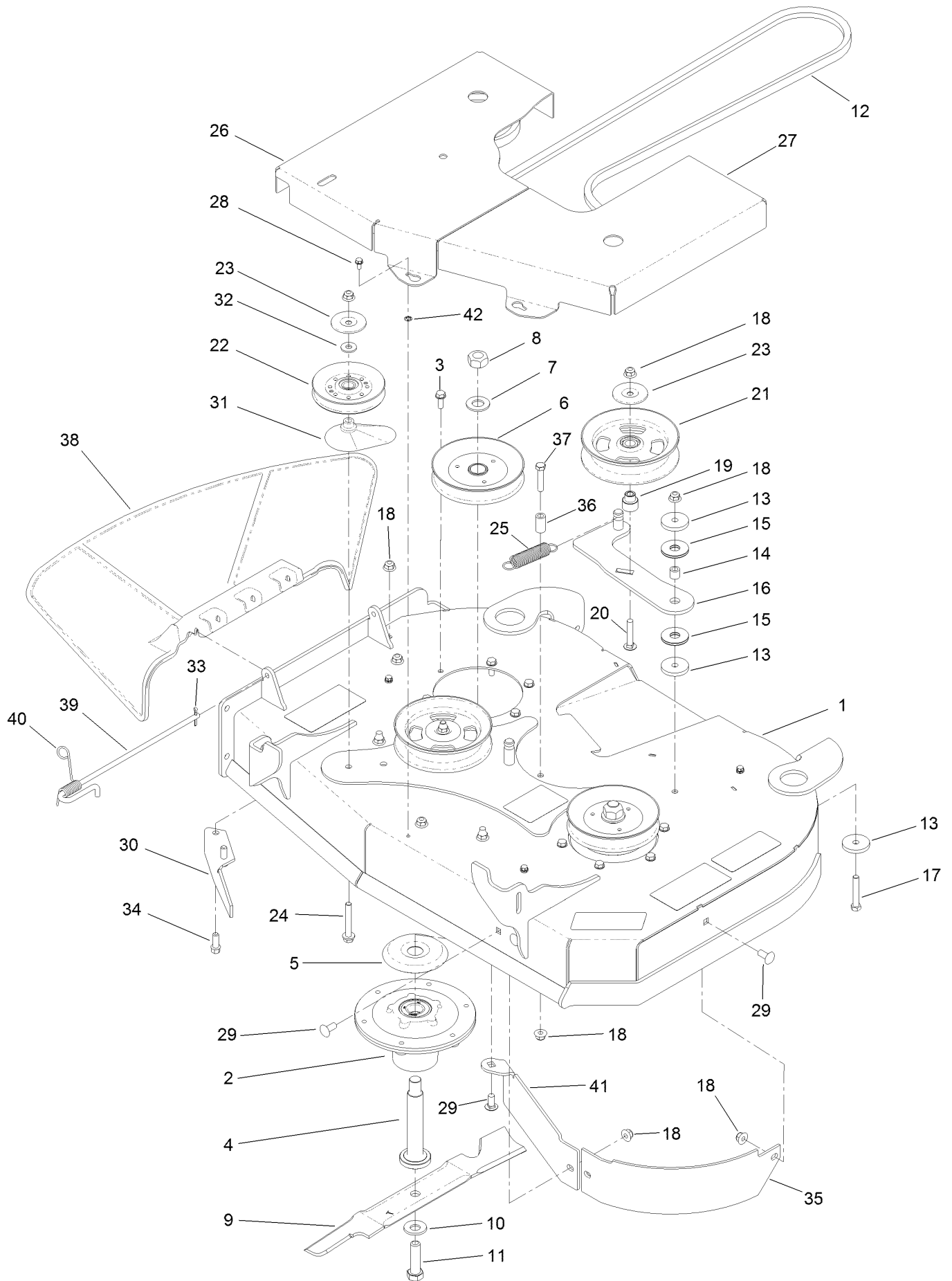
In an illustration, if a reference number indicates more than one part, the reference number has the form nX y. The n represents the quantity of the part, the X is the multiplication symbol, and the y represents the reference number.

For example, in an illustration, the reference number 2X 37 means that two of the parts identified by reference number 37 are indicated.

Contents

| | |
|---|----|
| 36 Inch Deck Assembly | 4 |
| Deck Decal Assembly No. 138-6802 | 6 |
| Spindle Assembly No. 139-2357 | 8 |
| Transmission Assembly | 10 |
| LH Transmission Assembly No. 138-4869 | 12 |
| RH Transmission Assembly No. 138-4870 | 14 |
| Idler Arm Pivot Assembly No. 138-1027 | 16 |
| Operator Control Assembly | 18 |
| Reference Bar Assembly No. 139-1475 | 20 |
| RH Control Handle Assembly No. 139-1532 | 22 |
| LH Control Handle Assembly No. 139-1487 | 24 |
| Brake Assembly | 26 |
| Brake Assembly No. 138-5844 | 28 |
| Deck Lift Assembly | 30 |
| Hood Assembly | 32 |
| Frame Assembly | 34 |
| Engine Assembly | 36 |
| Fuel System Assembly | 38 |
| Electrical Harness and Battery Assembly | 40 |
| Attachments and Accessories | 42 |

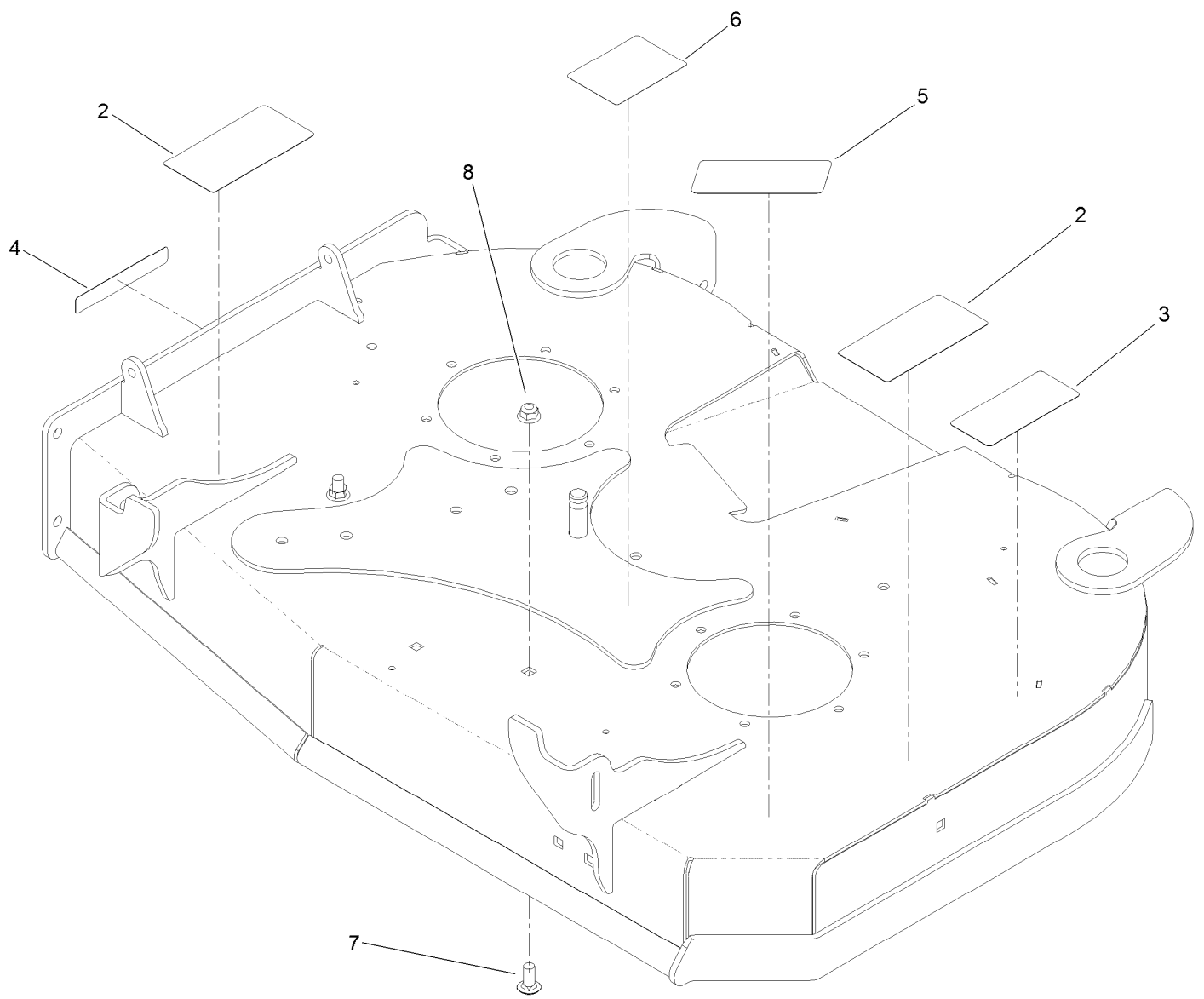
36 Inch Deck Assembly



36 Inch Deck Assembly (continued)

| <i>Ref.</i> | <i>Part Number</i> | <i>Qty.</i> | <i>Description</i> | <i>Ref.</i> | <i>Part Number</i> | <i>Qty.</i> | <i>Description</i> |
|-------------|--------------------|-------------|----------------------------|-------------|--------------------|-------------|----------------------|
| 1 | 138-6802 | 1 | 36" Deck ASM-Service | 22 | 135-4398 | 1 | Idler - V 4.13 Eod-A |
| 2 | 139-2357 | 2 | Spindle ASM | 23 | 126-8043 | 3 | Shield-Dust |
| 3 | 32144-41 | 12 | Screw-Taptite | 24 | 3234-39 | 2 | Screw-HHF |
| 4 | 115-2642 | 2 | Shaft-Spindle | 25 | 1-323071 | 1 | Spring-Extension |
| 5 | 138-7221 | 2 | Shield-Bearing | 26 | 139-7902 | 1 | Cover-Deck, Rt |
| 6 | 138-6824 | 2 | Pulley | 27 | 139-7905 | 1 | Cover-Deck, Lt |
| 7 | 7-4150 | 2 | Washer | 28 | 32144-4 | 4 | Screw-HWH |
| 8 | 3219-7 | 2 | Nut-Hex | 29 | 3231-27 | 4 | Screw-CARR |
| 9 | 138-8887-03 | 2 | Blade - Hi Flow, 18.00 In | 30 | 110-0754-01 | 1 | Baffle-Discharge |
| 10 | 125-1736 | 2 | Washer-Belleville | 31 | 109-2872 | 2 | Spacer-Pulley |
| 11 | 51-4060 | 2 | Screw-Blade | 32 | 80-6990 | 1 | Washer-Hardened |
| 12 | 138-5884 | 1 | Belt-V | 33 | 139-2614 | 1 | Pin-Cotter |
| 13 | 110-9981 | 3 | Washer-Plain | 34 | 92-1624 | 2 | Screw-HWH |
| 14 | 139-7933 | 1 | Bushing-Idler | 35 | 110-6903-01 | 1 | Baffle-Front, LH |
| 15 | 139-7932 | 2 | Washer-Friction, Composite | 36 | 138-7230 | 1 | Spacer-Fender |
| 16 | 139-7915 | 1 | Idler Arm ASM | 37 | 323-9 | 1 | Screw-HH |
| 17 | 323-11 | 1 | Screw-HH | 38 | 133-1212 | 1 | Deflector-Discharge |
| 18 | 104-8301 | 11 | Nut-HF, NI | 39 | 138-7231 | 1 | Pin-Chute |
| 19 | 138-7227 | 1 | Bushing-Idler | 40 | 138-7232 | 1 | Spring-Torsion |
| 20 | 3231-6 | 1 | Screw-CARR | 41 | 140-4308-03 | 1 | Plate-Deflector |
| 21 | 132-9425 | 2 | Pulley-Idler, Flat | 42 | 1-803037 | 4 | Nut-Retaining |

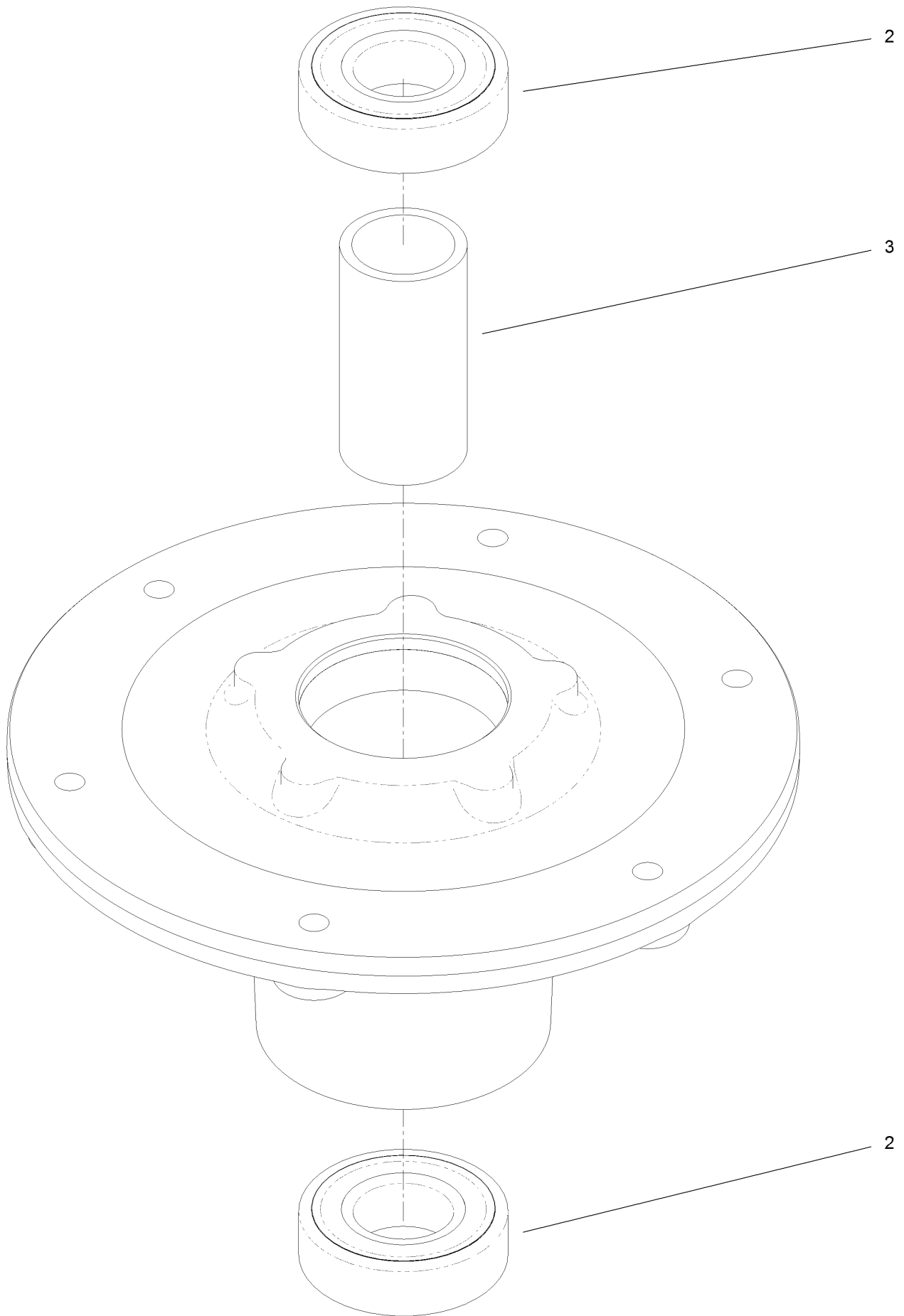
Deck Decal Assembly No. 138-6802



Deck Decal Assembly No. 138-6802 (continued)

| <i>Ref.</i> | <i>Part Number</i> | <i>Qty.</i> | <i>Description</i> | <i>Ref.</i> | <i>Part Number</i> | <i>Qty.</i> | <i>Description</i> |
|-------------|--------------------|-------------|--------------------------|-------------|--------------------|-------------|--------------------------|
| 2 | 133-4604 | 2 | Decal-Danger | 6 | 139-7936 | 1 | Decal-Routing, Deck Belt |
| 3 | 93-7818 | 1 | Decal-Torque, Blade Bolt | 7 | 3231-27 | 2 | Screw-CARR |
| 4 | 130-0731 | 1 | Decal-Danger | 8 | 104-8301 | 2 | Nut-HF, NI |
| 5 | 138-8826 | 1 | Decal-Deck, 36 Inch | | | | |

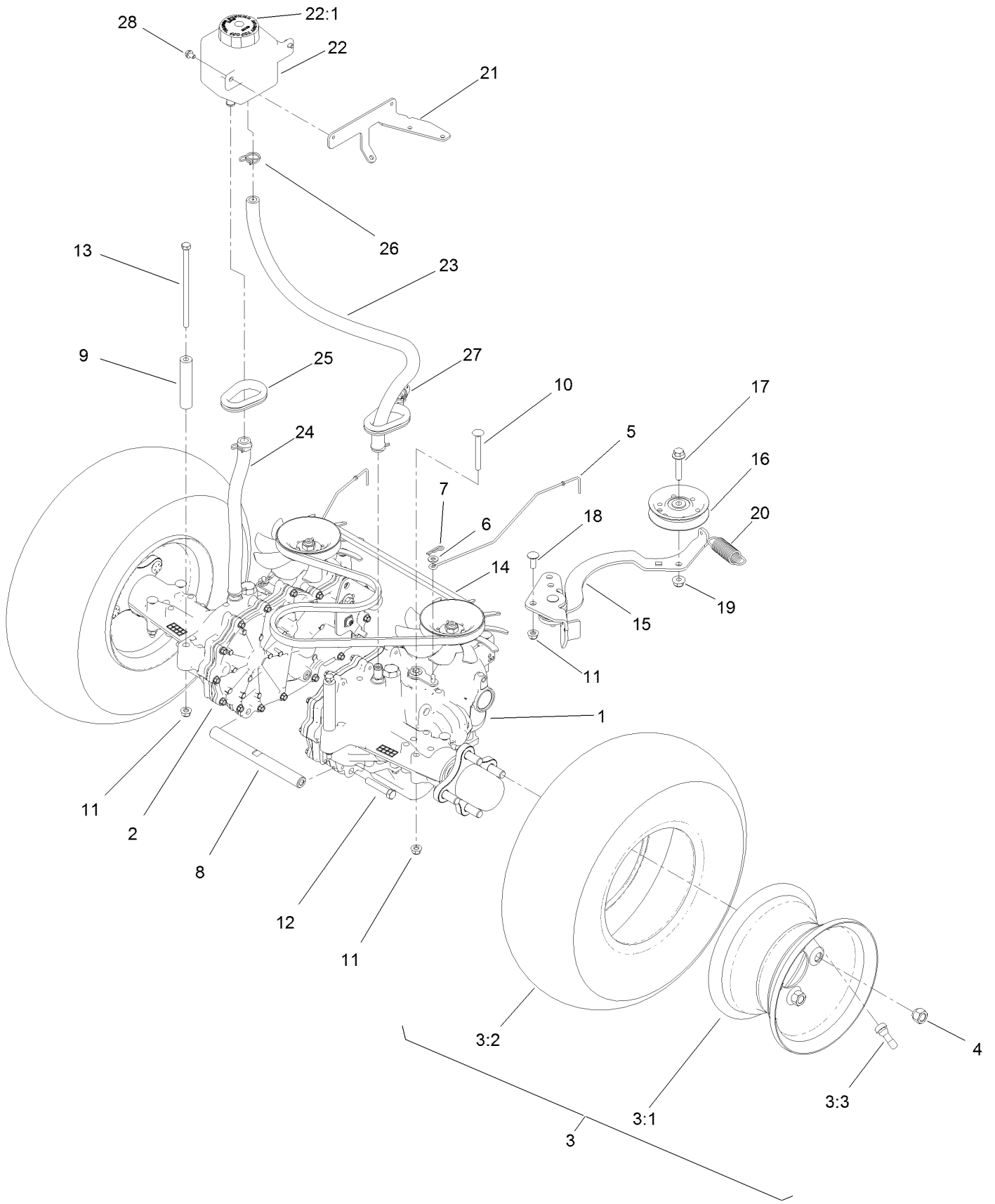
Spindle Assembly No. 139-2357



Spindle Assembly No. 139-2357 (continued)

| <i>Ref.</i> | <i>Part Number</i> | <i>Qty.</i> | <i>Description</i> |
|-------------|--------------------|-------------|--------------------|
| 2 | 116-0720 | 2 | Bearing-Ball |
| 3 | 138-7220 | 1 | Spacer-Bearing |

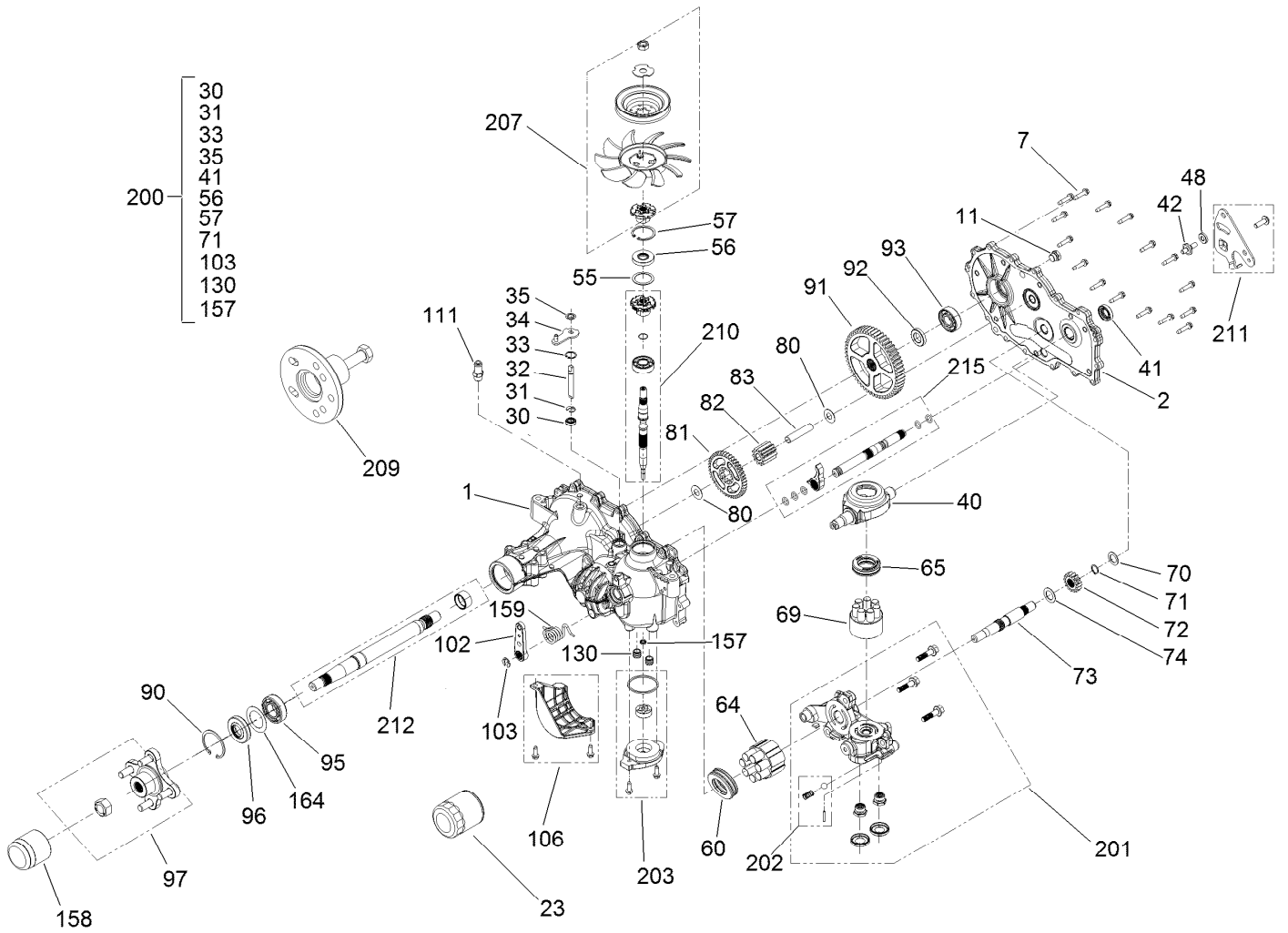
Transmission Assembly



Transmission Assembly (continued)

| <i>Ref.</i> | <i>Part Number</i> | <i>Qty.</i> | <i>Description</i> | <i>Ref.</i> | <i>Part Number</i> | <i>Qty.</i> | <i>Description</i> |
|-------------|--------------------|-------------|--------------------------|-------------|--------------------|-------------|--------------------------|
| 1 | 138-4869 | 1 | Transmission, Zt-2800 LH | 14 | 138-6829 | 1 | Belt-V |
| 2 | 138-4870 | 1 | Transmission, Zt-2800 RH | 15 | 138-1027 | 1 | Idler Arm Pivot ASM |
| 3 | 138-5878 | 2 | Wheel And Tire ASM | 16 | 92-7101 | 1 | Pulley-Idler, Flat |
| 3:1 | 139-7877 | 1 | Rim-8" | 17 | 3234-19 | 1 | Screw-HHF |
| 3:2 | 139-7878 | 1 | Tire | 18 | 3230-10 | 1 | Bolt-CARR |
| 3:3 | 232-27 | 1 | Stem-Valve | 19 | 104-8301 | 1 | Nut-HF, NI |
| 4 | 242-50 | 8 | Nut-Lug | 20 | 138-6814 | 1 | Spring-Extension |
| 5 | 139-5592 | 2 | Rod-Bypass | 21 | 139-7914-03 | 1 | Bracket - Expansion Tank |
| 6 | 3256-22 | 2 | Washer-Flat | 22 | 109-2250 | 1 | Tank-HYD |
| 7 | 1-806003 | 2 | Pin-Cotter | 22:1 | 109-3320 | 1 | Cap-Reservoir, HYD |
| 8 | 138-1028 | 1 | Shaft-Cross, Hydro | 23 | 131-5841 | 1 | Hose-Overflow |
| 9 | 138-5803 | 2 | Spacer - Transmission | 24 | 121-2952 | 1 | Hose-Overflow |
| 10 | 3230-9 | 6 | Screw-CARR | 25 | 240-12 | 2 | Grommet-Rubber |
| 11 | 104-8300 | 9 | Nut-HF, NI | 26 | 117-1193 | 4 | Clamp-Hose |
| 12 | 94-7972 | 2 | Screw-HH W/Loctite | 27 | 32180-030 | 1 | Clip-Tie |
| 13 | 1-800286 | 2 | Screw-HH | 28 | 99-8445 | 2 | Screw-HWH |

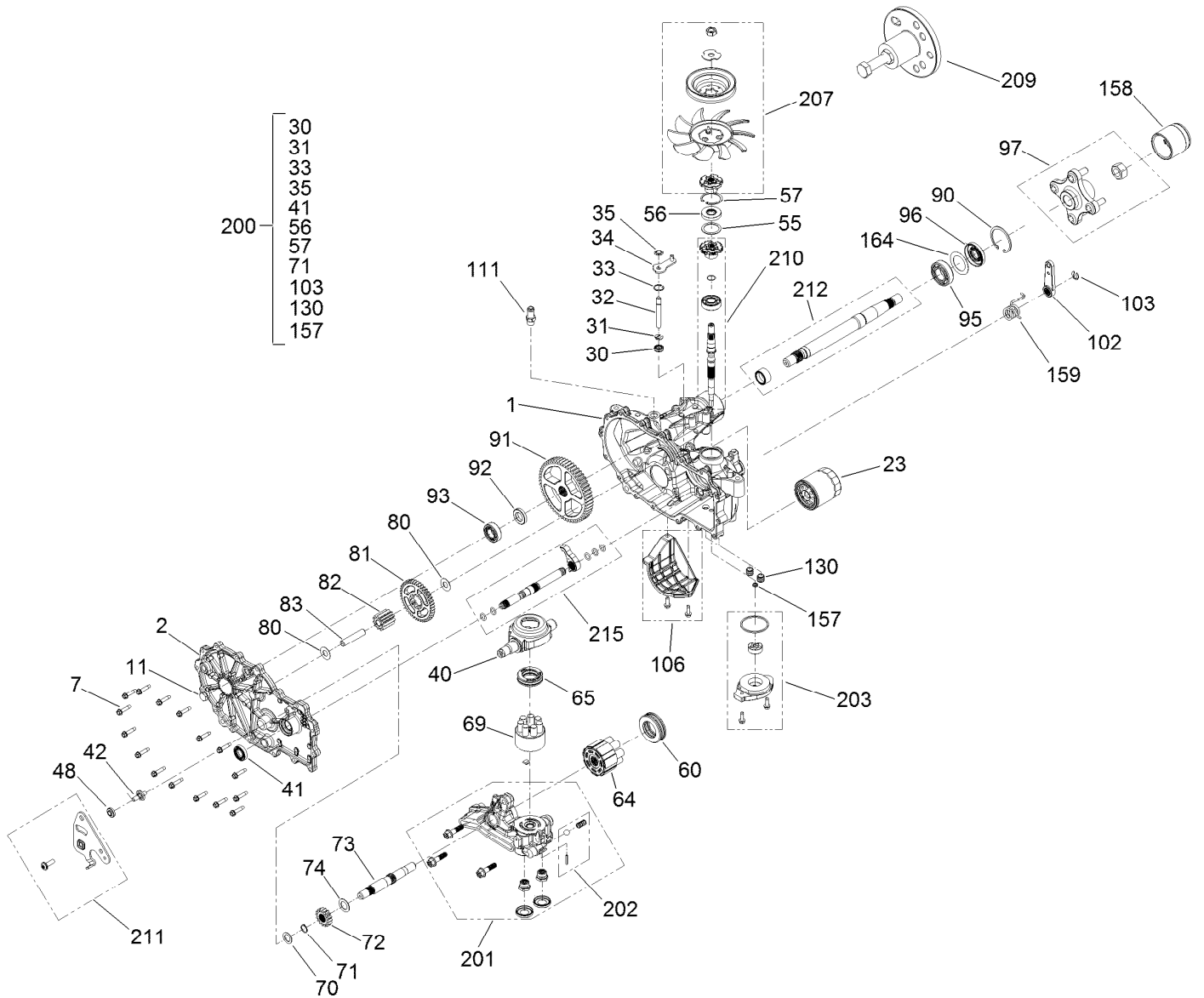
LH Transmission Assembly No. 138-4869



LH Transmission Assembly No. 138-4869 (continued)

| <i>Ref.</i> | <i>Part Number</i> | <i>Qty.</i> | <i>Description</i> | <i>Ref.</i> | <i>Part Number</i> | <i>Qty.</i> | <i>Description</i> |
|-------------|--------------------|-------------|------------------------------|-------------|--------------------|-------------|------------------------------------|
| 1 | 139-4069 | 1 | Kit, Main Housing RH, Charge | 82 | 114-1693 | 1 | Gear-11T |
| 2 | 139-4070 | 1 | Kit, Side Cover RH, Control | 83 | 104-5329 | 1 | Pin-Jackshaft |
| 7 | 117-5359 | 16 | Screw-HHF | 90 | 104-2169 | 1 | Ring-Retaining |
| 11 | 135-1140 | 1 | Plug-Straight | 91 | 114-1694 | 1 | Gear-54T |
| 23 | 109-3321 | 1 | Element-Oil Filter, HYD | 92 | 120-7975 | 1 | Spacer |
| 30 | 106-8676 | 1 | Seal-Lip | 93 | 135-1361 | 1 | Bearing-Ball |
| 31 | 106-8677 | 1 | Ring-Retaining, External | 95 | 130-8477 | 1 | Bearing-Ball |
| 32 | 114-1685 | 1 | Rod-Bypass | 96 | 104-2144 | 1 | Seal |
| 33 | 106-8679 | 1 | Ring-Retaining, Internal | 97 | 116-3872 | 1 | Hub-Offset |
| 34 | 107-2490 | 1 | Arm-Bypass | 102 | 125-0021 | 1 | Handle-Brake |
| 35 | 106-8681 | 1 | Ring-Retaining, External | 103 | 131-0906 | 1 | Ring-Retaining, EXT |
| 40 | 104-5304 | 1 | Swashplate-Trunnion | 106 | 120-7981 | 1 | Guard-Filter, RH |
| 41 | 104-5313 | 1 | Seal-Lip | 111 | 109-3278 | 1 | Adapter-Straight |
| 42 | 104-2116 | 1 | Stud | 130 | 126-3251 | 2 | Tube-Charge |
| 48 | 139-4073 | 1 | Spacer | 157 | 126-1930 | 1 | Gerotor Seal Kit |
| 55 | 104-5308 | 1 | Spacer | 158 | 116-6214 | 1 | Cap-Axle, Long |
| 56 | 104-5310 | 1 | Seal-Lip | 159 | 126-2290 | 1 | Spring, Torsion CCW |
| 57 | 104-5309 | 1 | Ring-Retaining | 164 | 121-5745 | 1 | Spacer |
| 60 | 112-4154 | 1 | Bearing-Thrust | 200 | 109-3537 | 1 | Seal Kit |
| 64 | 139-4074 | 1 | Cylinder Block ASM Kit | 201 | 114-8463 | 1 | RH Center Section Kit |
| 65 | 94-6922 | 1 | Bearing-Thrust | 202 | 114-8464 | 1 | Charge Relief Kit |
| 69 | 110-8561 | 1 | Pump Block ASM | 203 | 114-8465 | 1 | Charge Kit |
| 70 | 104-5339 | 1 | Washer-Flat | 207 | 135-7348 | 1 | Fan And Pulley Kit |
| 71 | 104-5340 | 1 | Ring-Retaining | 209 | 130-8482 | 1 | Hub Puller Kit |
| 72 | 121-5749 | 1 | Gear-16T | 210 | 139-7502 | 1 | Input Shaft Kit |
| 73 | 114-1691 | 1 | Shaft-Motor | 211 | 139-4094 | 1 | Kit, Control Arm |
| 74 | 104-5360 | 1 | Washer | 212 | 114-8470 | 1 | Axle Shaft Kit |
| 80 | 94-1933 | 2 | Washer | 215 | 139-4095 | 1 | Kit, Outboard, RH Rot A / LH Rot B |
| 81 | 125-0000 | 1 | Gear-43T | | | | |

RH Transmission Assembly No. 138-4870

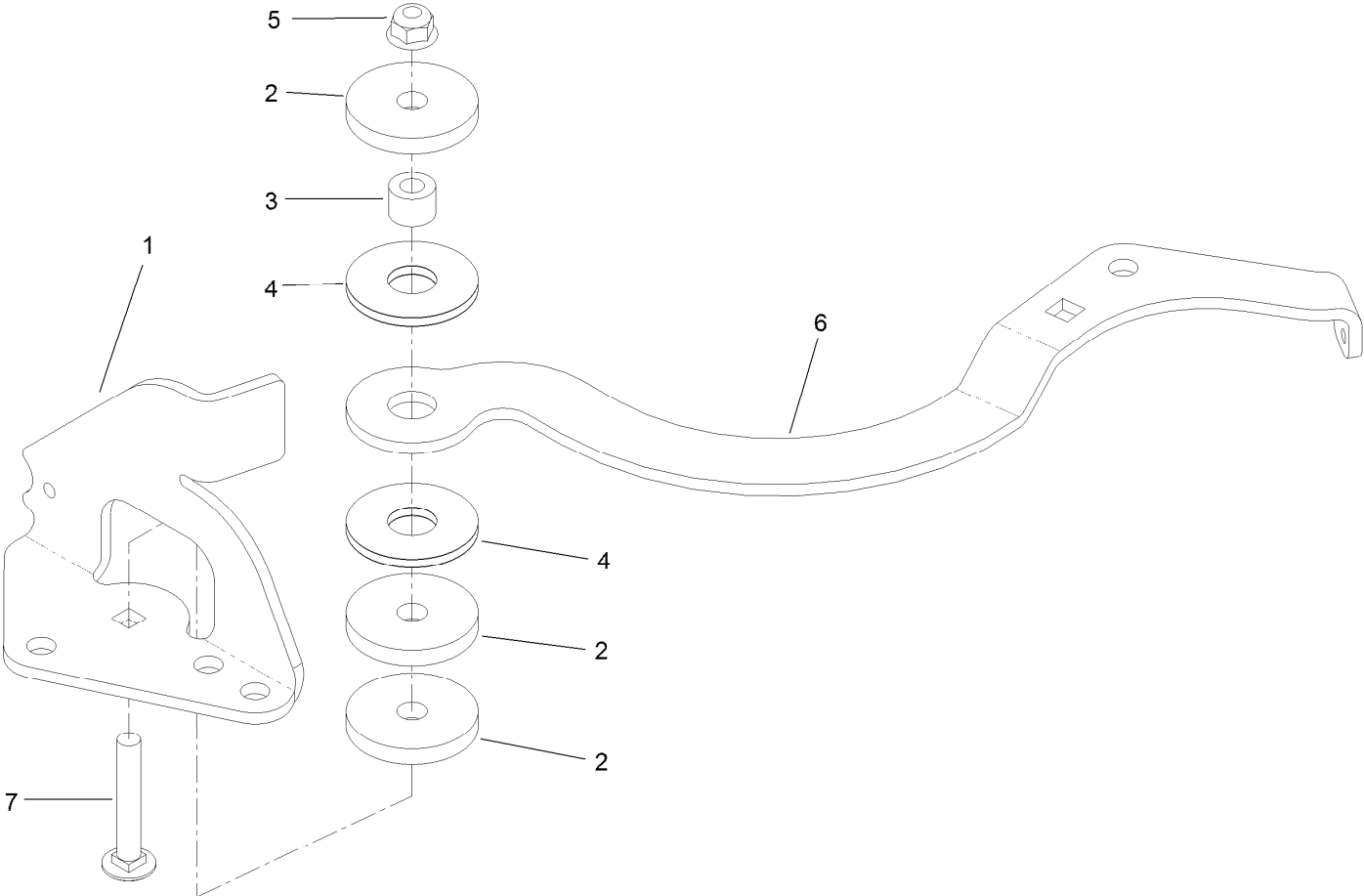


RH Transmission Assembly No. 138-4870 (continued)

| <i>Ref.</i> | <i>Part Number</i> | <i>Qty.</i> | <i>Description</i> | <i>Ref.</i> | <i>Part Number</i> | <i>Qty.</i> | <i>Description</i> |
|-------------|--------------------|-------------|------------------------------|-------------|--------------------|-------------|----------------------------------|
| 1 | 139-4096 | 1 | Kit, Main Housing LH, Charge | 81 | 125-0000 | 1 | Gear-43T |
| 2 | 139-4097 | 1 | Kit, Side Cover LH, Control | 82 | 114-1693 | 1 | Gear-11T |
| 7 | 117-5359 | 16 | Screw-HHF | 83 | 104-5329 | 1 | Pin-Jackshaft |
| 11 | 135-1140 | 1 | Plug-Straight | 90 | 104-2169 | 1 | Ring-Retaining |
| 13 | 104-2147 | 1 | Sealant ● | 91 | 114-1694 | 1 | Gear-54T |
| 23 | 109-3321 | 1 | Element-Oil Filter, HYD | 92 | 120-7975 | 1 | Spacer |
| 30 | 106-8676 | 1 | Seal-Lip | 93 | 135-1361 | 1 | Bearing-Ball |
| 31 | 106-8677 | 1 | Ring-Retaining, External | 95 | 120-7976 | 1 | Bearing-Ball |
| 32 | 114-1685 | 1 | Rod-Bypass | 96 | 104-2144 | 1 | Seal |
| 33 | 106-8679 | 1 | Ring-Retaining, Internal | 97 | 116-3872 | 1 | Hub-Offset |
| 34 | 112-9852 | 1 | Arm-Bypass | 102 | 125-0021 | 1 | Handle-Brake |
| 35 | 106-8681 | 1 | Ring-Retaining, External | 103 | 131-0906 | 1 | Ring-Retaining, EXT |
| 40 | 104-5304 | 1 | Swashplate-Trunnion | 106 | 120-7979 | 1 | Guard-Filter, LH |
| 41 | 104-5313 | 1 | Seal-Lip | 111 | 109-3278 | 1 | Adapter-Straight |
| 42 | 104-2116 | 1 | Stud | 130 | 126-3251 | 2 | Tube-Charge |
| 48 | 139-4073 | 1 | Spacer | 157 | 126-1930 | 1 | Gerotor Seal Kit |
| 55 | 104-5308 | 1 | Spacer | 158 | 116-6214 | 1 | Cap-Axle, Long |
| 56 | 104-5310 | 1 | Seal-Lip | 159 | 139-4099 | 1 | Spring, Torsion, CW |
| 57 | 104-5309 | 1 | Ring-Retaining | 164 | 121-5745 | 1 | Spacer |
| 60 | 112-4154 | 1 | Bearing-Thrust | 200 | 109-3537 | 1 | Seal Kit |
| 64 | 139-4074 | 1 | Cylinder Block ASM Kit | 201 | 114-8476 | 1 | LH Center Section Kit |
| 65 | 94-6922 | 1 | Bearing-Thrust | 202 | 114-8464 | 1 | Charge Relief Kit |
| 69 | 110-8561 | 1 | Pump Block ASM | 203 | 114-8465 | 1 | Charge Kit |
| 70 | 104-5339 | 1 | Washer-Flat | 207 | 135-7348 | 1 | Fan And Pulley Kit |
| 71 | 104-5340 | 1 | Ring-Retaining | 209 | 130-8482 | 1 | Hub Puller Kit |
| 72 | 121-5749 | 1 | Gear-16T | 210 | 139-7502 | 1 | Input Shaft Kit |
| 73 | 114-1691 | 1 | Shaft-Motor | 211 | 139-7866 | 1 | Kit, Arm, Control |
| 74 | 104-5360 | 1 | Washer | 212 | 114-8470 | 1 | Axle Shaft Kit |
| 80 | 119-5541 | 2 | Washer | 215 | 139-7867 | 1 | Kit, Outboard, RH Rot B/LH Rot A |

● Not illustrated

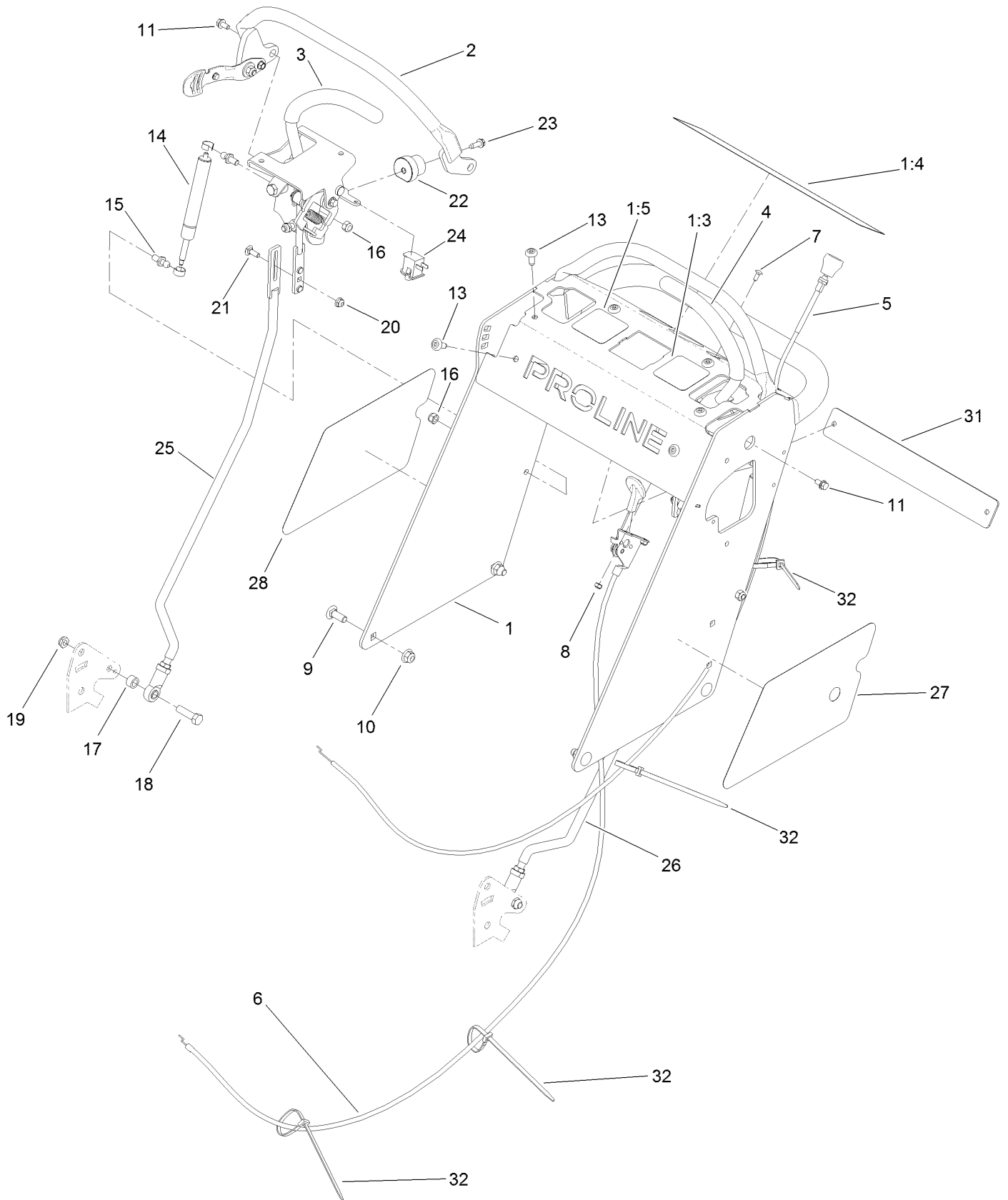
Idler Arm Pivot Assembly No. 138-1027



Idler Arm Pivot Assembly No. 138-1027 (continued)

| <i>Ref.</i> | <i>Part Number</i> | <i>Qty.</i> | <i>Description</i> | <i>Ref.</i> | <i>Part Number</i> | <i>Qty.</i> | <i>Description</i> |
|-------------|--------------------|-------------|----------------------------|-------------|--------------------|-------------|--------------------|
| 1 | 138-6819 | 1 | Mount-Idler | 5 | 104-8300 | 1 | Nut-HF, NI |
| 2 | 110-9981 | 3 | Washer-Plain | 6 | 139-4027 | 1 | Arm-Idler |
| 3 | 114-8549 | 1 | Bushing | 7 | 126-0699 | 1 | Bolt-CARR |
| 4 | 114-0463 | 2 | Washer-Friction, Composite | | | | |

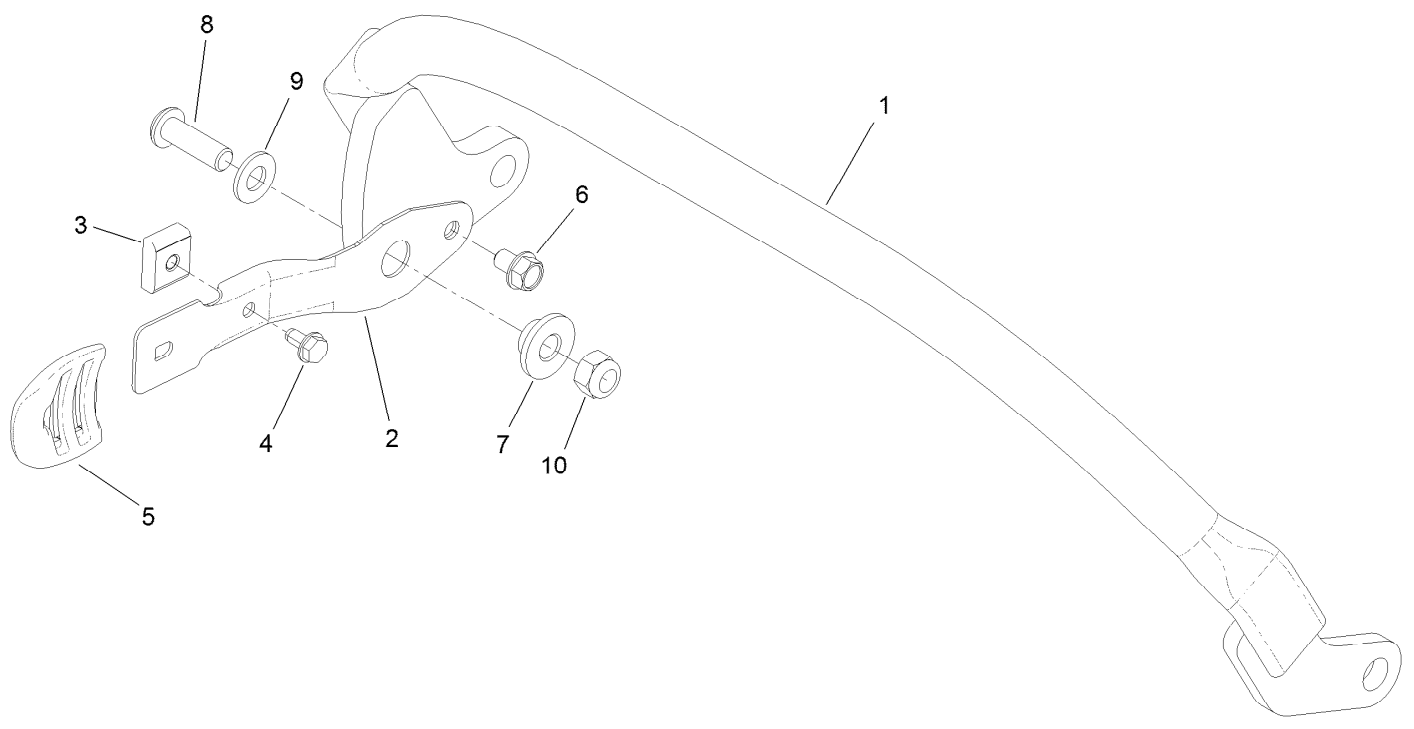
Operator Control Assembly



Operator Control Assembly (continued)

| <i>Ref.</i> | <i>Part Number</i> | <i>Qty.</i> | <i>Description</i> | <i>Ref.</i> | <i>Part Number</i> | <i>Qty.</i> | <i>Description</i> |
|-------------|--------------------|-------------|--------------------------|-------------|--------------------|-------------|---------------------|
| 1 | 139-2850 | 1 | Tower ASM | 15 | 103-5752 | 4 | Stud-Ball |
| 1:3 | 138-8816 | 1 | Decal-OPC Control, Left | 16 | 3296-72 | 4 | Nut-Lock, NI |
| 1:4 | 138-8818 | 1 | Decal-Warning, Control | 17 | 121-2608 | 2 | Spacer |
| 1:5 | 139-2874 | 1 | Decal-OPC Control, Right | 18 | 323-29 | 2 | Screw-HH |
| 2 | 139-1475 | 1 | Reference Bar Assembly | 19 | 3296-59 | 2 | Nut-Lock, NI |
| 3 | 139-1532 | 1 | Control Handle ASM, RH | 20 | 104-7201 | 2 | Nut-HF |
| 4 | 139-1487 | 1 | Control Handle ASM, LH | 21 | 3229-1 | 2 | Bolt-CARR |
| 5 | 126-2107 | 1 | Cable, Choke | 22 | 126-1499 | 2 | Cam |
| 6 | 109-3958 | 1 | Control-Throttle | 23 | 49-2040 | 2 | Screw-HWHTF |
| 7 | 1-807513 | 2 | Bolt-CARR | 24 | 82-2190 | 2 | Switch-Bail |
| 8 | 3296-2 | 2 | Nut-Lock, NI | 25 | 139-4032 | 1 | Control Rod ASM, RH |
| 9 | 3231-22 | 4 | Screw-CARR | 26 | 139-4037 | 1 | Control Rod ASM, LH |
| 10 | 104-8301 | 4 | Nut-HF, NI | 27 | 140-4253 | 1 | Decal-Proline, LH |
| 11 | 119-1065 | 2 | Screw-HWH | 28 | 140-4254 | 1 | Decal-Proline, RH |
| 13 | 138-9753 | 6 | Screw | 31 | 140-4251-03 | 1 | Plate-Cover |
| 14 | 139-1523 | 2 | Damper | 32 | 1-303335 | 4 | Tie-Plastic |

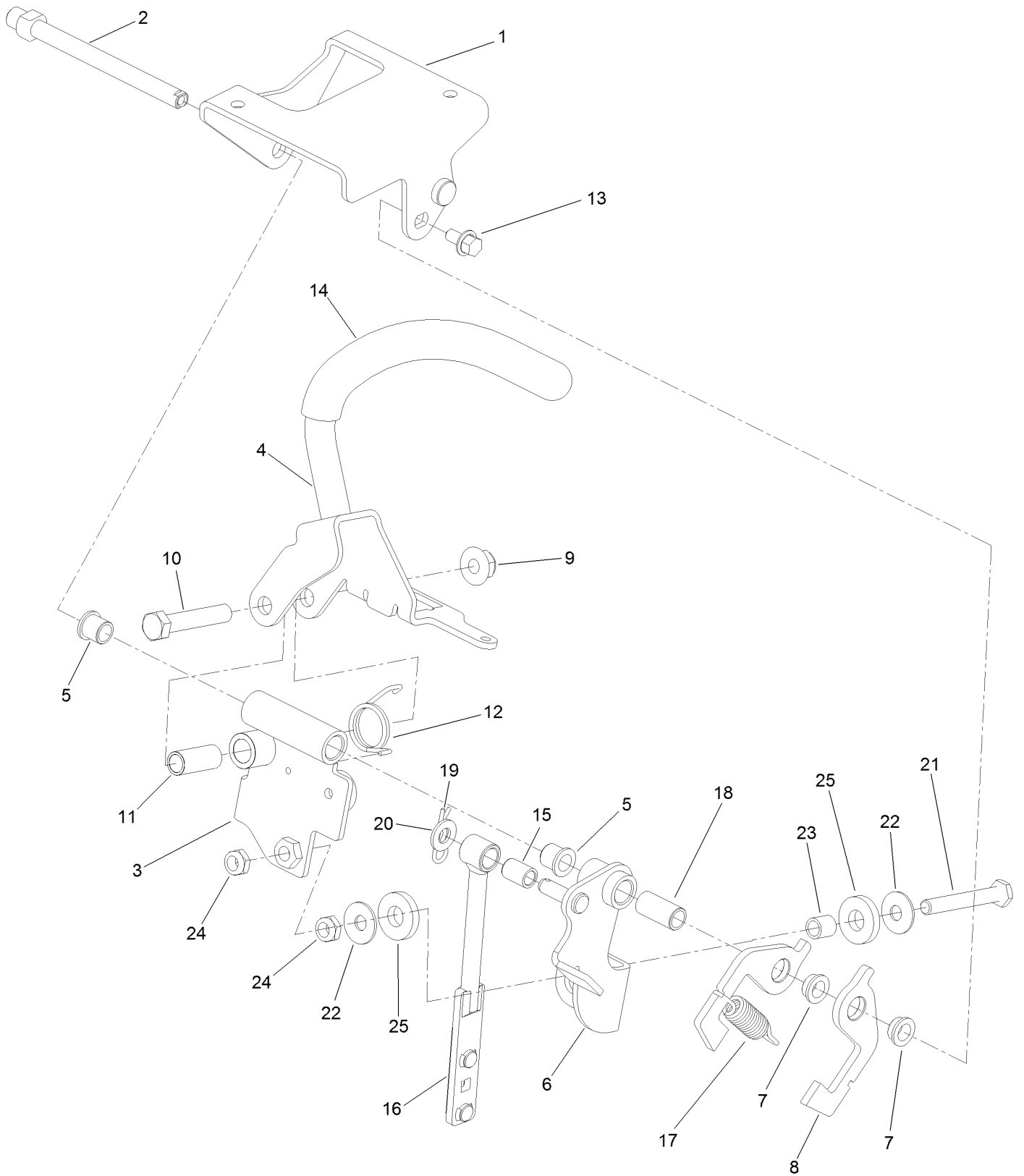
Reference Bar Assembly No. 139-1475



Reference Bar Assembly No. 139-1475 (continued)

| <i>Ref.</i> | <i>Part Number</i> | <i>Qty.</i> | <i>Description</i> | <i>Ref.</i> | <i>Part Number</i> | <i>Qty.</i> | <i>Description</i> |
|-------------|--------------------|-------------|--------------------|-------------|--------------------|-------------|------------------------|
| 1 | 139-2855-01 | 1 | Reference Bar | 6 | 99-8445 | 1 | Screw-HWH |
| 2 | 121-1431-03 | 1 | Arm-Spring | 7 | 117-5991 | 1 | Washer-Stepped, Baffle |
| 3 | 131-5377 | 1 | Key-Arm, Spring | 8 | 119-6903 | 1 | Screw-HSBH |
| 4 | 104-2065 | 1 | Screw-HWH | 9 | 120-9683 | 1 | Washer-Plain |
| 5 | 125-1093 | 1 | Knob-Lever, HOC | 10 | 3296-72 | 1 | Nut-Lock, NI |

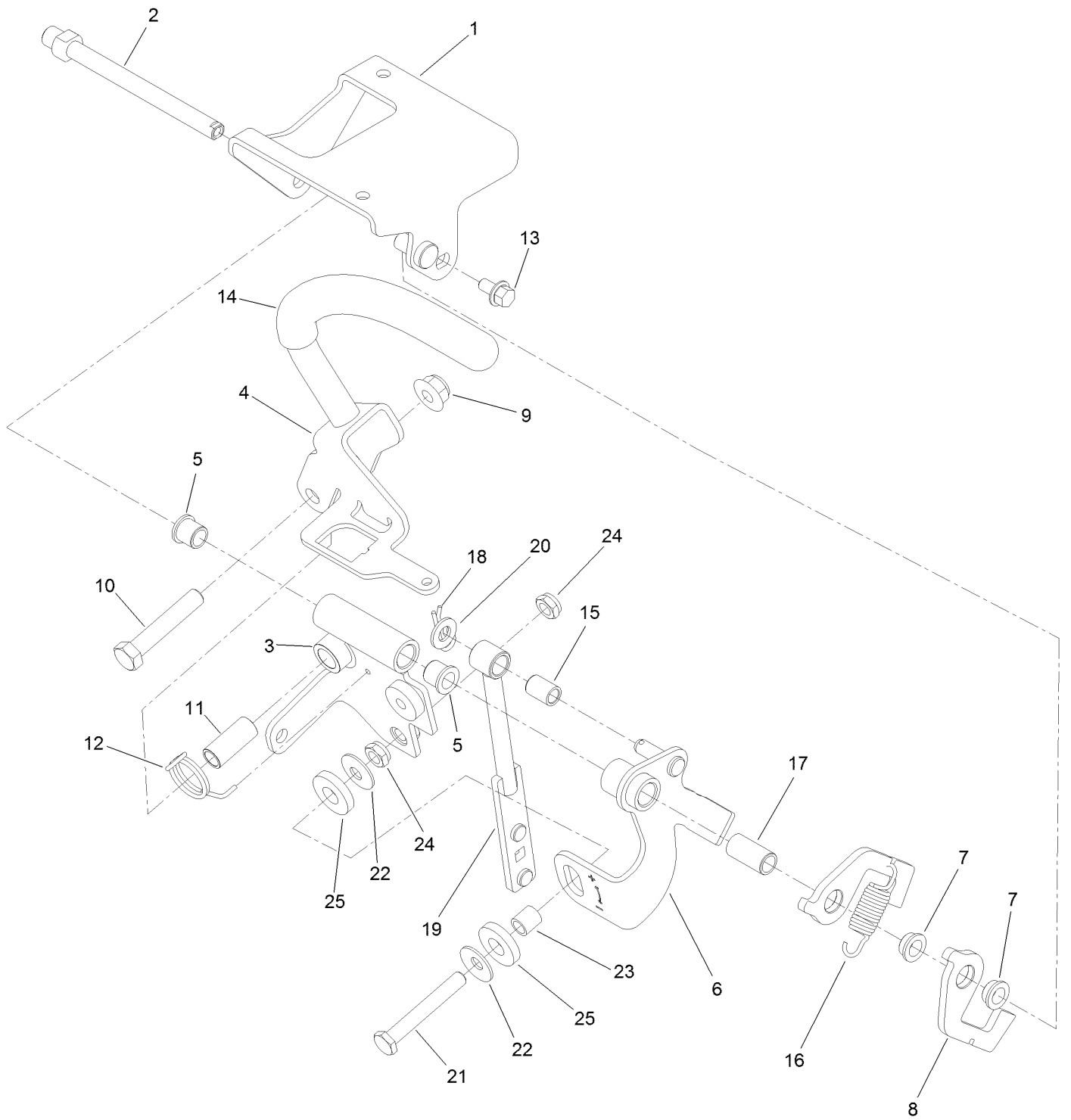
RH Control Handle Assembly No. 139-1532



RH Control Handle Assembly No. 139-1532 (continued)

| <i>Ref.</i> | <i>Part Number</i> | <i>Qty.</i> | <i>Description</i> | <i>Ref.</i> | <i>Part Number</i> | <i>Qty.</i> | <i>Description</i> |
|-------------|--------------------|-------------|-----------------------|-------------|--------------------|-------------|----------------------|
| 1 | 139-2852 | 1 | Bracket-Mount, RH | 14 | 139-2863 | 1 | Grip-Handle |
| 2 | 139-1486 | 1 | Pin-Pivot | 15 | 139-2869 | 1 | Bushing |
| 3 | 139-1535 | 1 | Motion Control ASM RH | 16 | 139-2917 | 1 | Control Rod Assembly |
| 4 | 139-1540 | 1 | RH Lever ASM | 17 | 139-2859 | 1 | Spring-Extension |
| 5 | 103-9928 | 2 | Bearing | 18 | 139-2875 | 1 | Bushing |
| 6 | 139-2903 | 1 | Motion Control ASM RH | 19 | 1-806003 | 1 | Pin-Cotter |
| 7 | 139-1525 | 2 | Bushing-Flanged Nylon | 20 | 3256-23 | 1 | Washer-Plain |
| 8 | 139-1513 | 2 | Plate-Spring | 21 | 9114524 | 1 | Bolt-TAP, HH |
| 9 | 104-8301 | 1 | Nut-HF, NI | 22 | 3290-456 | 2 | Washer-Belleville |
| 10 | 323-10 | 1 | Screw-HH | 23 | 139-7876 | 1 | Spacer |
| 11 | 131-3562 | 1 | Bearing-Sleeve | 24 | 3296-47 | 2 | Nut-Lock, NI |
| 12 | 139-1538 | 1 | Spring-Torsion | 25 | 139-7883 | 2 | Washer-Rubber |
| 13 | 3234-13 | 1 | Screw-HHF | | | | |

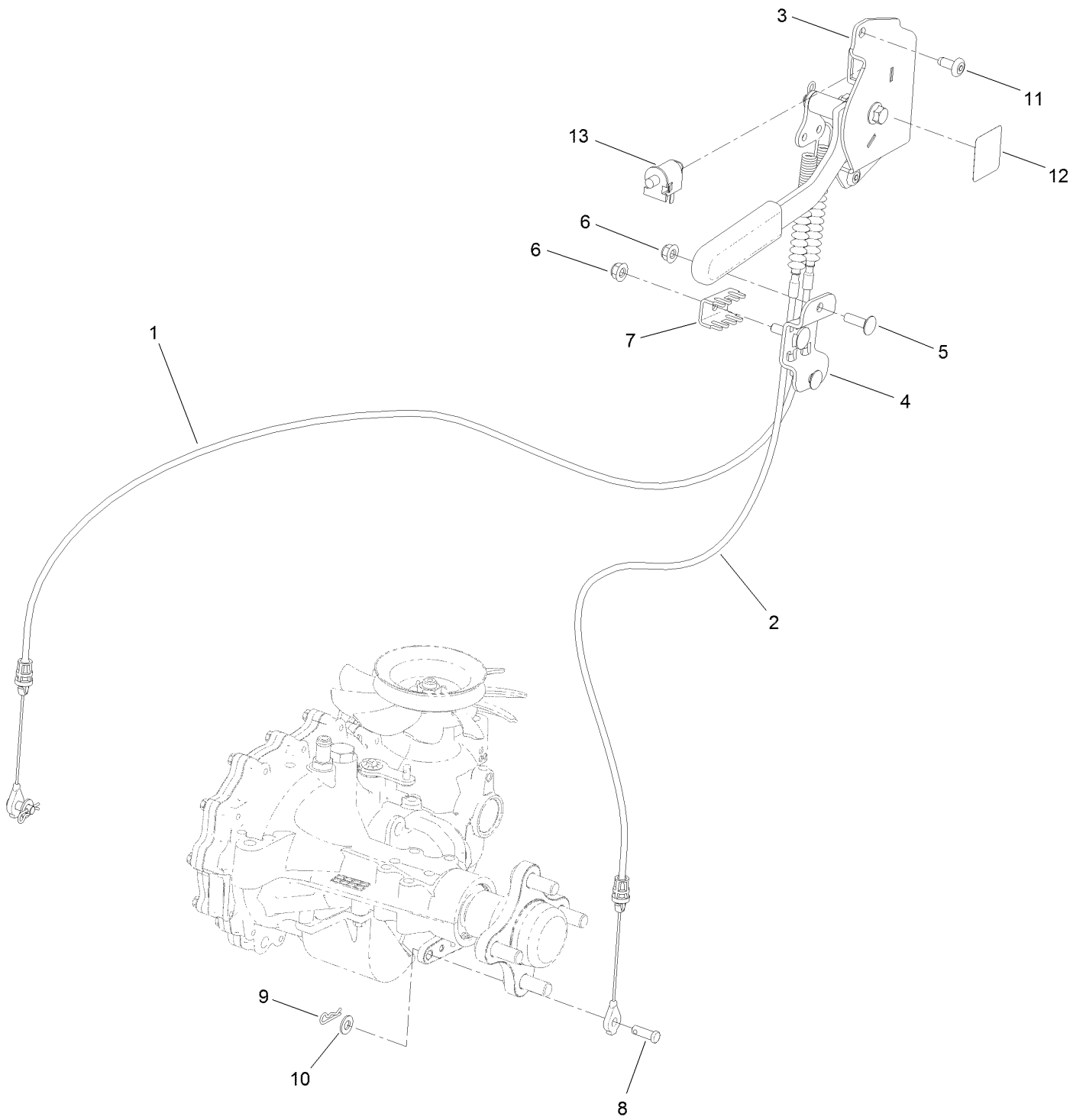
LH Control Handle Assembly No. 139-1487



LH Control Handle Assembly No. 139-1487 (continued)

| <i>Ref.</i> | <i>Part Number</i> | <i>Qty.</i> | <i>Description</i> | <i>Ref.</i> | <i>Part Number</i> | <i>Qty.</i> | <i>Description</i> |
|-------------|--------------------|-------------|-----------------------|-------------|--------------------|-------------|----------------------|
| 1 | 139-2851 | 1 | Bracket-Mount, LH | 14 | 139-2863 | 1 | Grip-Handle |
| 2 | 139-1486 | 1 | Pin-Pivot | 15 | 139-2869 | 1 | Bushing |
| 3 | 139-1490 | 1 | Motion Control ASM LH | 16 | 139-2859 | 1 | Spring-Extension |
| 4 | 139-1495 | 1 | LH Lever ASM | 17 | 139-2875 | 1 | Bushing |
| 5 | 103-9928 | 2 | Bearing | 18 | 1-806003 | 1 | Pin-Cotter |
| 6 | 139-2865 | 1 | Motion Control ASM LH | 19 | 139-2917 | 1 | Control Rod Assembly |
| 7 | 139-1525 | 2 | Bushing-Flanged Nylon | 20 | 3256-23 | 1 | Washer-Plain |
| 8 | 139-1513 | 2 | Plate-Spring | 21 | 9114524 | 1 | Bolt-TAP, HH |
| 9 | 104-8301 | 1 | Nut-HF, NI | 22 | 3290-456 | 2 | Washer-Belleville |
| 10 | 323-10 | 1 | Screw-HH | 23 | 139-7876 | 1 | Spacer |
| 11 | 131-3562 | 1 | Bearing-Sleeve | 24 | 3296-47 | 2 | Nut-Lock, NI |
| 12 | 139-1508 | 1 | Spring-Torsion | 25 | 139-7883 | 2 | Washer-Rubber |
| 13 | 3234-13 | 1 | Screw-HHF | | | | |

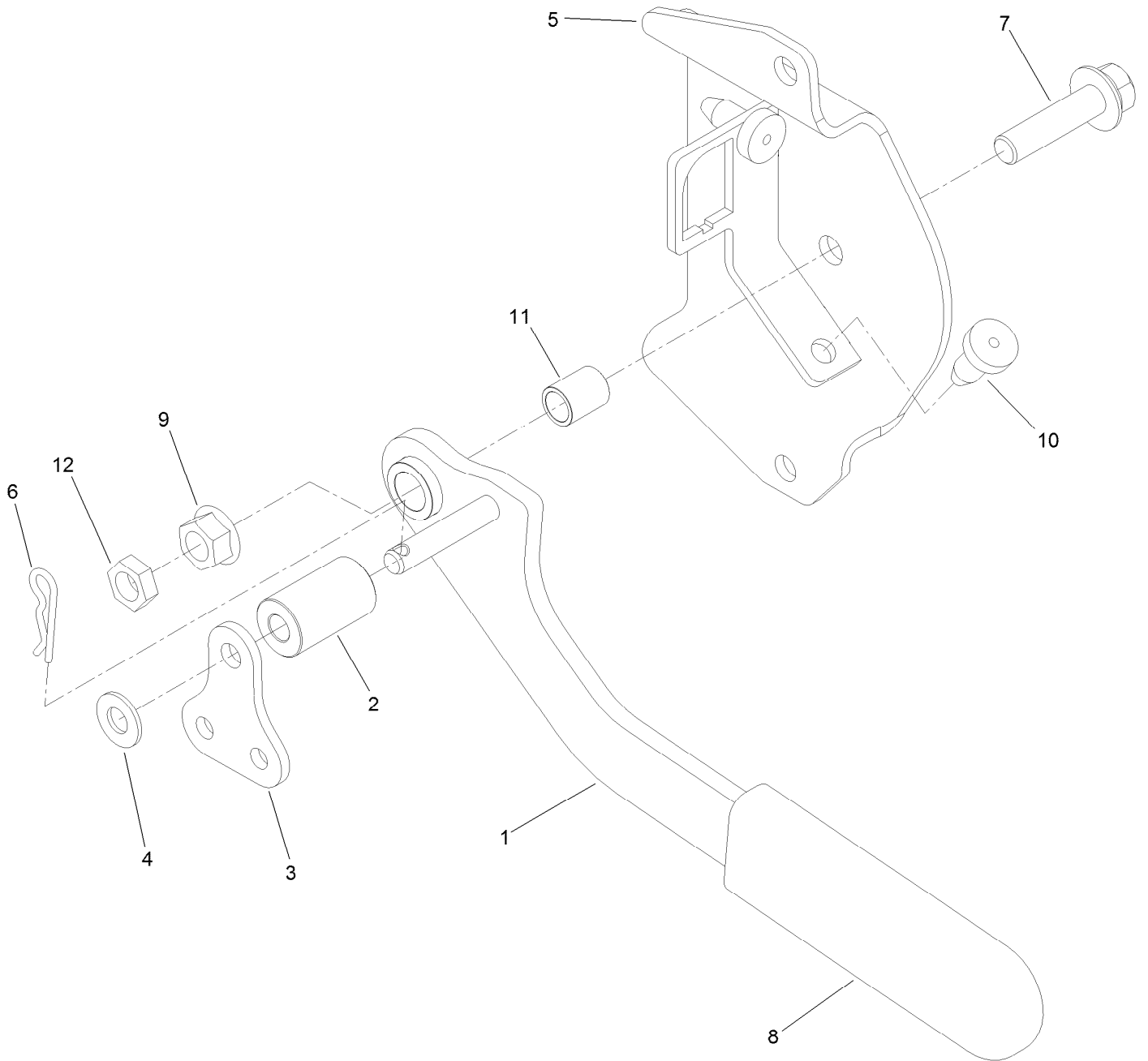
Brake Assembly



Brake Assembly (continued)

| <i>Ref.</i> | <i>Part Number</i> | <i>Qty.</i> | <i>Description</i> | <i>Ref.</i> | <i>Part Number</i> | <i>Qty.</i> | <i>Description</i> |
|-------------|--------------------|-------------|--------------------|-------------|--------------------|-------------|----------------------|
| 1 | 138-5841 | 1 | Cable-Brake | 8 | 283-75 | 2 | Pin-Clevis |
| 2 | 138-5842 | 1 | Cable-Brake | 9 | 1-806003 | 2 | Pin-Cotter |
| 3 | 138-5844 | 1 | Brake Assembly | 10 | 3256-23 | 2 | Washer-Plain |
| 4 | 132-7582 | 1 | Mount-Cable, Brake | 11 | 138-9753 | 2 | Screw |
| 5 | 3230-28 | 2 | Screw-CARR | 12 | 116-5988 | 1 | Decal-Park Brake, CE |
| 6 | 104-8300 | 3 | Nut-HF, NI | 13 | 82-2190 | 1 | Switch-Bail |
| 7 | 132-1187 | 1 | Clamp-Cable | | | | |

Brake Assembly No. 138-5844

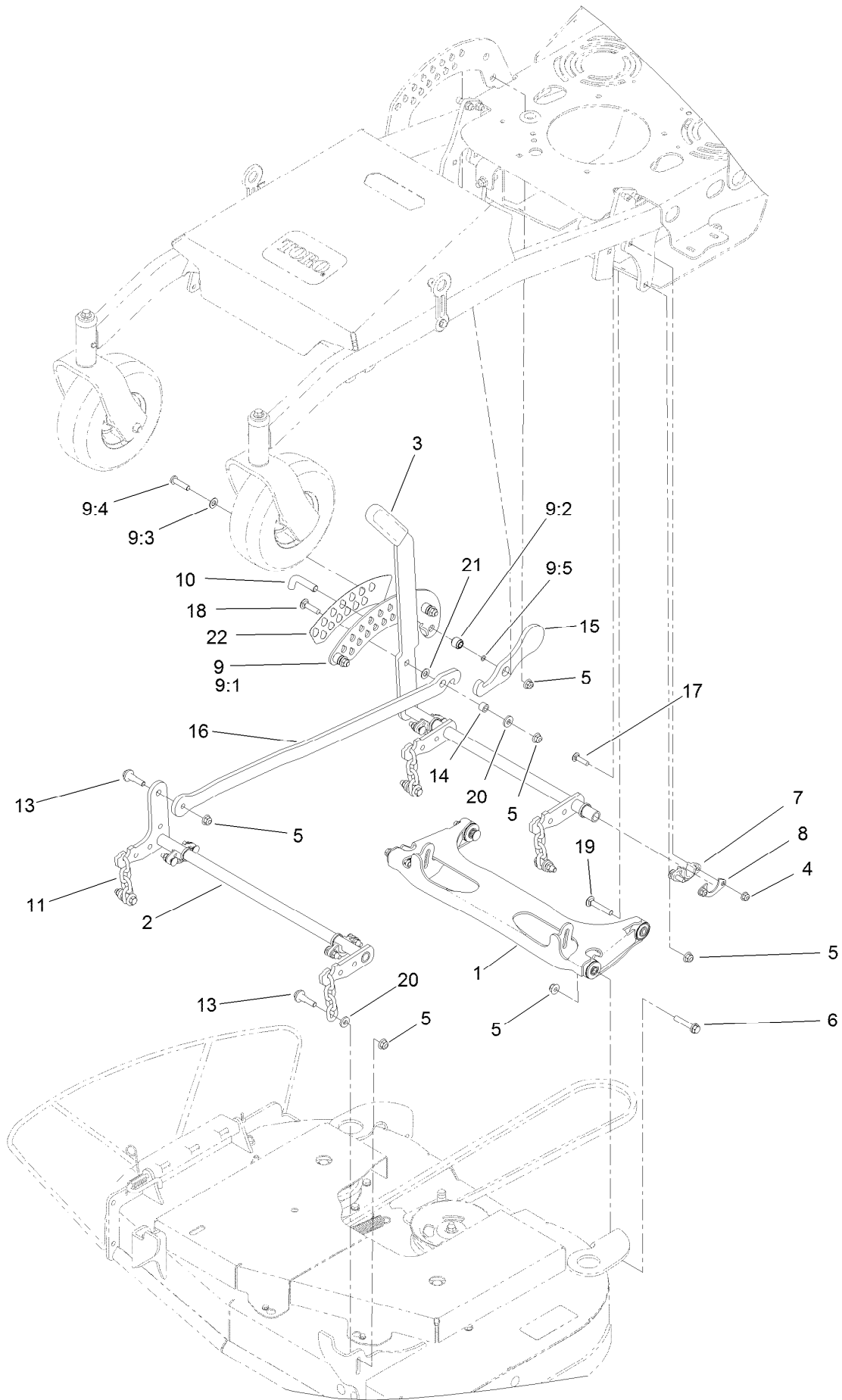


Brake Assembly No. 138-5844 (continued)

| <i>Ref.</i> | <i>Part Number</i> | <i>Qty.</i> | <i>Description</i> |
|-------------|--------------------|-------------|--------------------|
| 1 | 138-5845 | 1 | Handle-Brake |
| 2 | 77-3180 | 1 | Spacer |
| 3 | 138-6870 | 1 | Yoke-Cable |
| 4 | 93-6079 | 1 | Spacer-Nylon |
| 5 | 138-8815 | 1 | Bracket ASM-Brake |
| 6 | 1-806003 | 1 | Pin-Cotter |

| <i>Ref.</i> | <i>Part Number</i> | <i>Qty.</i> | <i>Description</i> |
|-------------|--------------------|-------------|--------------------|
| 7 | 114-4681 | 1 | Screw-HHF |
| 8 | 1-633268 | 1 | Grip-Lever |
| 9 | 32128-21 | 1 | Nut-HF |
| 10 | 87-8460 | 2 | Bumper-Rubber |
| 11 | 139-2942 | 1 | Bearing-Sleeve |
| 12 | 3218-3 | 1 | Nut-Jam |

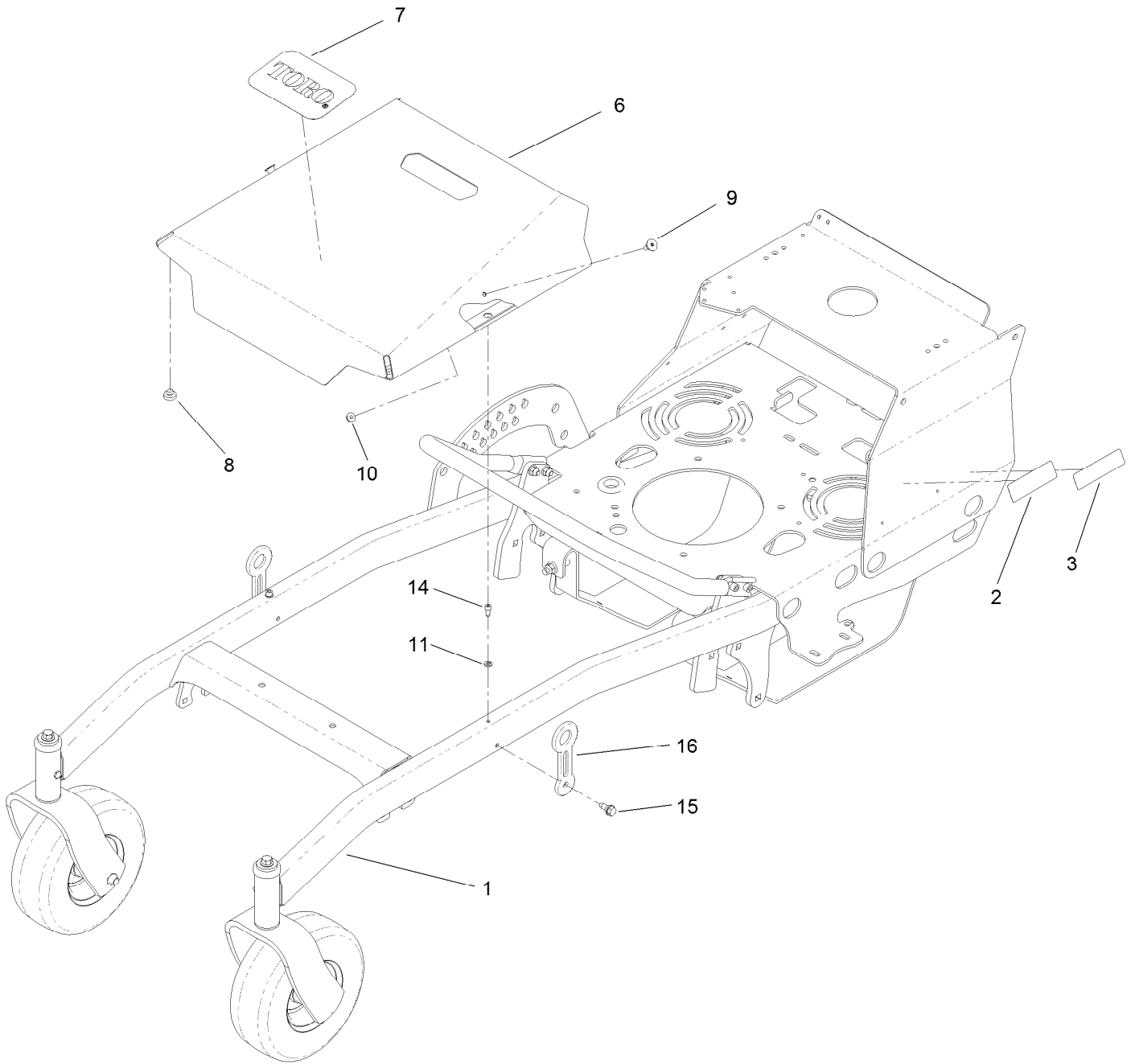
Deck Lift Assembly



Deck Lift Assembly (continued)

| <i>Ref.</i> | <i>Part Number</i> | <i>Qty.</i> | <i>Description</i> | <i>Ref.</i> | <i>Part Number</i> | <i>Qty.</i> | <i>Description</i> |
|-------------|--------------------|-------------|--------------------|-------------|--------------------|-------------|------------------------|
| 1 | 138-5868 | 1 | Deck Strut ASM | 9:5 | 237-21 | 3 | O-Ring |
| 2 | 138-5864 | 1 | Pivot ASM-Front | 10 | 138-7203 | 1 | Pin-HOC |
| 3 | 138-6868 | 1 | Pivot ASM | 11 | 138-7205 | 4 | Chain-Decklift, 4-Link |
| 4 | 104-8300 | 8 | Nut-HF, NI | 13 | 130-0742 | 5 | Bolt-Shoulder |
| 5 | 104-8301 | 13 | Nut-HF, NI | 14 | 115-4986 | 1 | Spacer |
| 6 | 108-3742 | 2 | Screw-HHF | 15 | 138-5860 | 1 | Lever-Lock |
| 7 | 139-5872 | 4 | Bearing-Flange | 16 | 138-5875-03 | 1 | Link-HOC |
| 8 | 138-7204 | 4 | Gusset-Deck Lift | 17 | 3230-3 | 8 | Screw-CARR |
| 9 | 138-6890 | 1 | HOC Standoff ASM | 18 | 3231-4 | 1 | Screw-CARR |
| 9:1 | 138-1009 | 1 | Plate - HOC | 19 | 3231-7 | 2 | Screw-CARR |
| 9:2 | 138-7201 | 3 | Spacer-Double Step | 20 | 138-7207 | 5 | Spacer-Hub, Blower |
| 9:3 | 48-9220 | 3 | Washer-Plain | 21 | 48-9220 | 1 | Washer-Plain |
| 9:4 | 95-3857 | 3 | Screw-HSBH | 22 | 138-8821 | 1 | Decal-HOC |

Hood Assembly

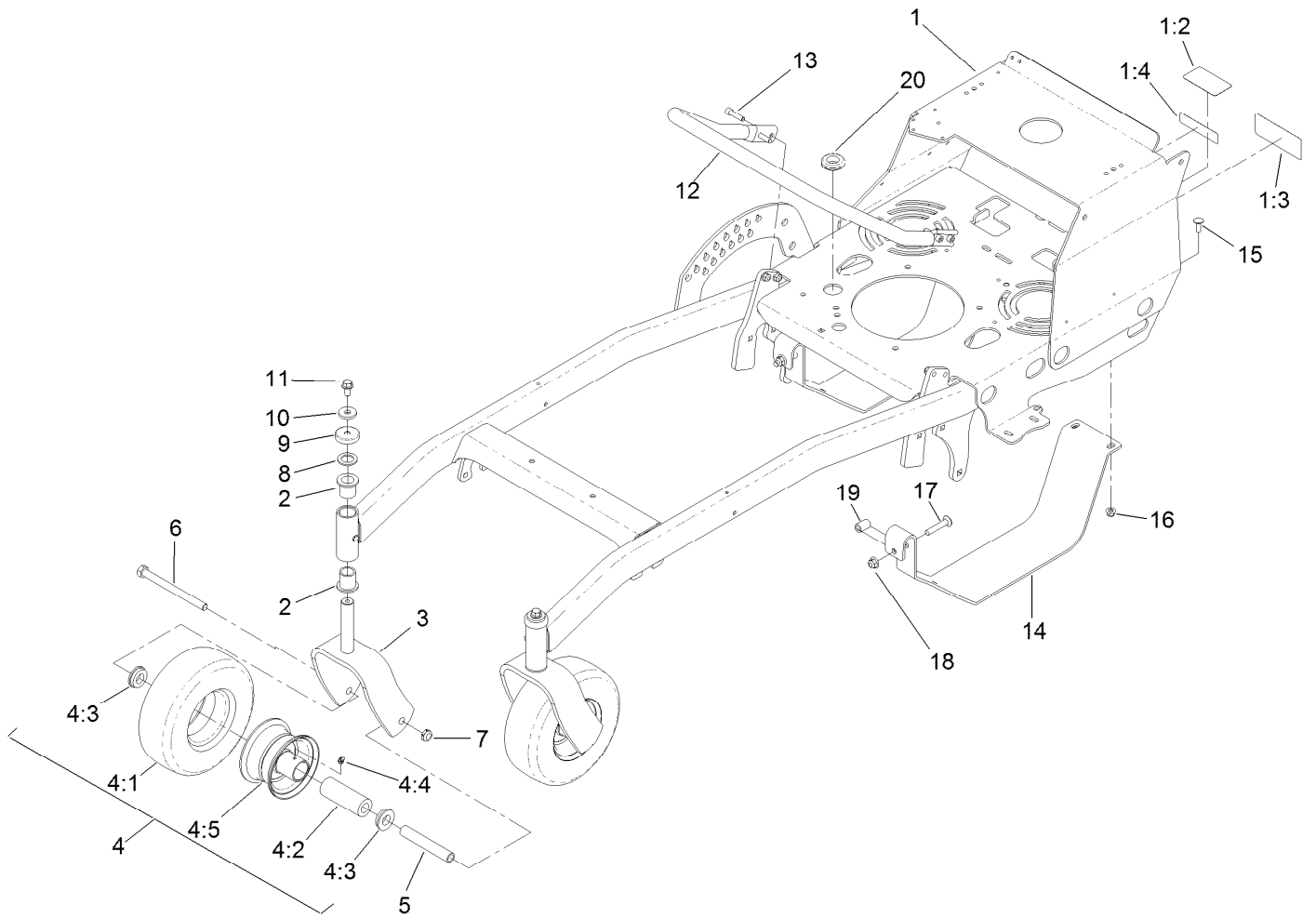


Hood Assembly (continued)

| <i>Ref.</i> | <i>Part Number</i> | <i>Qty.</i> | <i>Description</i> | <i>Ref.</i> | <i>Part Number</i> | <i>Qty.</i> | <i>Description</i> |
|-------------|--------------------|-------------|-------------------------------|-------------|--------------------|-------------|------------------------------|
| 1 | | 1 | Frame Assembly ● | 9 | 125-1122 | 2 | Screw |
| 2 | 138-9522 | 1 | Decal-Emissions, Carb 2019 | 10 | 104-7201 | 2 | Nut-HF |
| 3 | 133-8062 | 1 | Decal-Arrestor, Spark | 11 | 3253-3 | 2 | Washer-Lock |
| 6 | 140-4332-03 | 1 | Cover-Deck | 14 | 65-5220 | 2 | Screw-HSH, Thread Forming |
| 7 | 99-4693 | 1 | Decal | 15 | 126-4424 | 2 | Screw-Shoulder |
| 8 | 1-513658 | 4 | Bumper | 16 | ST47182 | 2 | Latch-Rubber |

● Not serviced separately

Frame Assembly

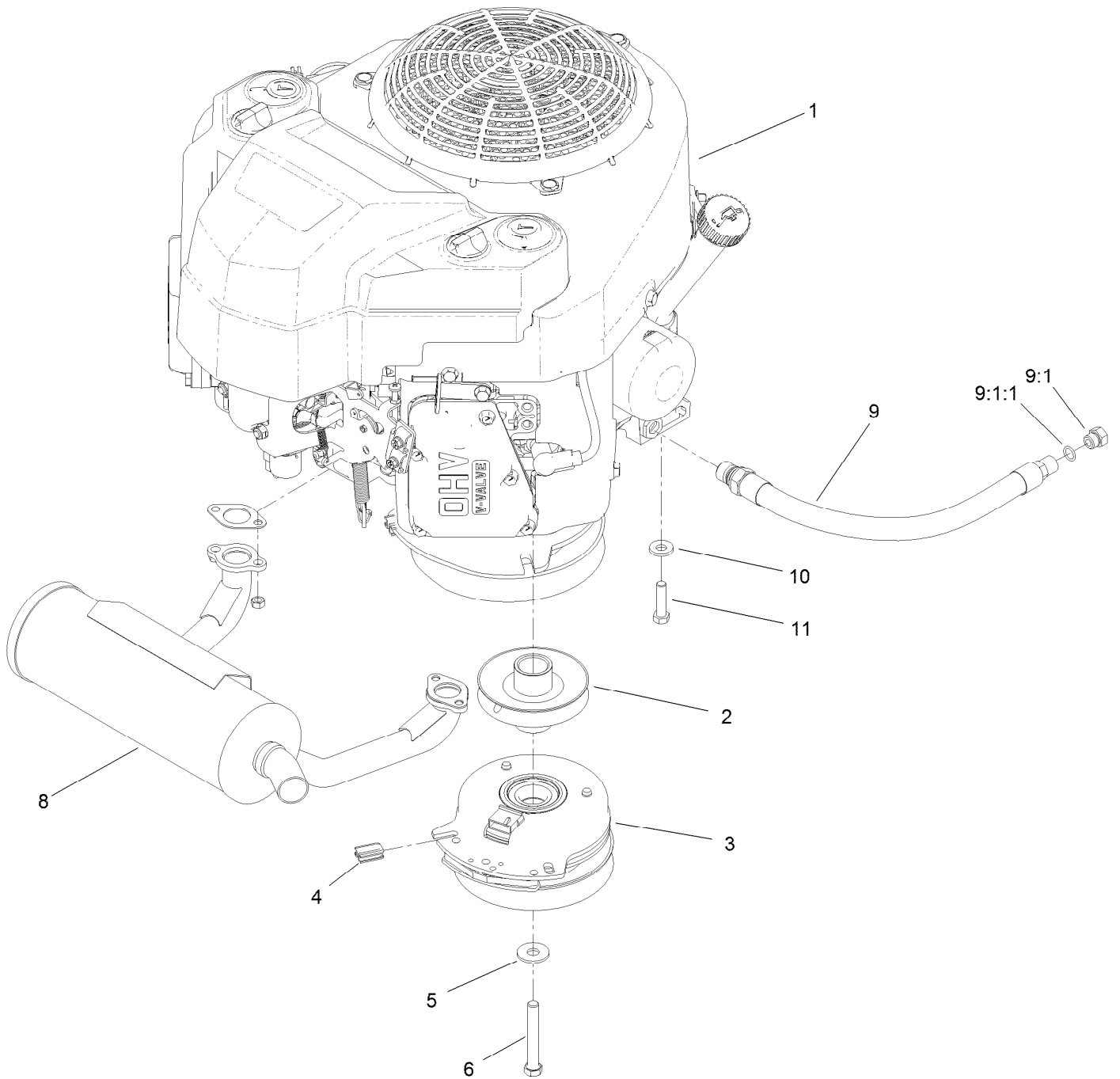


Frame Assembly (continued)

| <i>Ref.</i> | <i>Part Number</i> | <i>Qty.</i> | <i>Description</i> | <i>Ref.</i> | <i>Part Number</i> | <i>Qty.</i> | <i>Description</i> |
|-------------|--------------------|-------------|-----------------------------------|-------------|--------------------|-------------|---------------------|
| 1 | 140-1864 | 1 | Frame ASM | 7 | 3296-45 | 2 | Nut-Hex |
| 1:2 | 138-8820 | 1 | Decal - Bypass | 8 | 3-7898 | 2 | Washer-Thrust |
| 1:3 | 126-1400 | 1 | Decal-Warning, Sulky | 9 | 126-1425 | 2 | Cap, Dust |
| 1:4 | 98-1977 | 1 | Decal-Warning | 10 | 1-373034 | 2 | Washer |
| 2 | 1-303514 | 4 | Bearing-Flanged | 11 | 110-1718 | 2 | Screw-HHF |
| 3 | 116-7941-01 | 2 | Fork, Caster | 12 | 138-5880-03 | 1 | Tube, Muffler Guard |
| 4 | 140-4285 | 2 | Wheel And Tire ASM | 13 | 3274-18 | 4 | Screw-HSH |
| 4:1 | | 1 | Tire ● | 14 | 138-6816-03 | 2 | Guard-Transmission |
| 4:2 | 1-513809 | 1 | Bearing | 15 | 3230-10 | 4 | Bolt-CARR |
| 4:3 | 1-513810 | 2 | Bushing | 16 | 104-8300 | 8 | Nut-HF, NI |
| 4:4 | 302-61 | 1 | Fitting-Grease | 17 | 117-9971 | 2 | Bolt-Carriage |
| 4:5 | | 1 | Wheel - 4 X 2.25 X 4.25 Tube ● | 18 | 104-8301 | 2 | Nut-HF, NI |
| 5 | 1-513547 | 2 | Spacer | 19 | 114-2754 | 2 | Spacer |
| 6 | 325-20 | 2 | Screw-HH | 20 | 1-543286 | 1 | Grommet |

● Not serviced separately

Engine Assembly



Engine Assembly (continued)

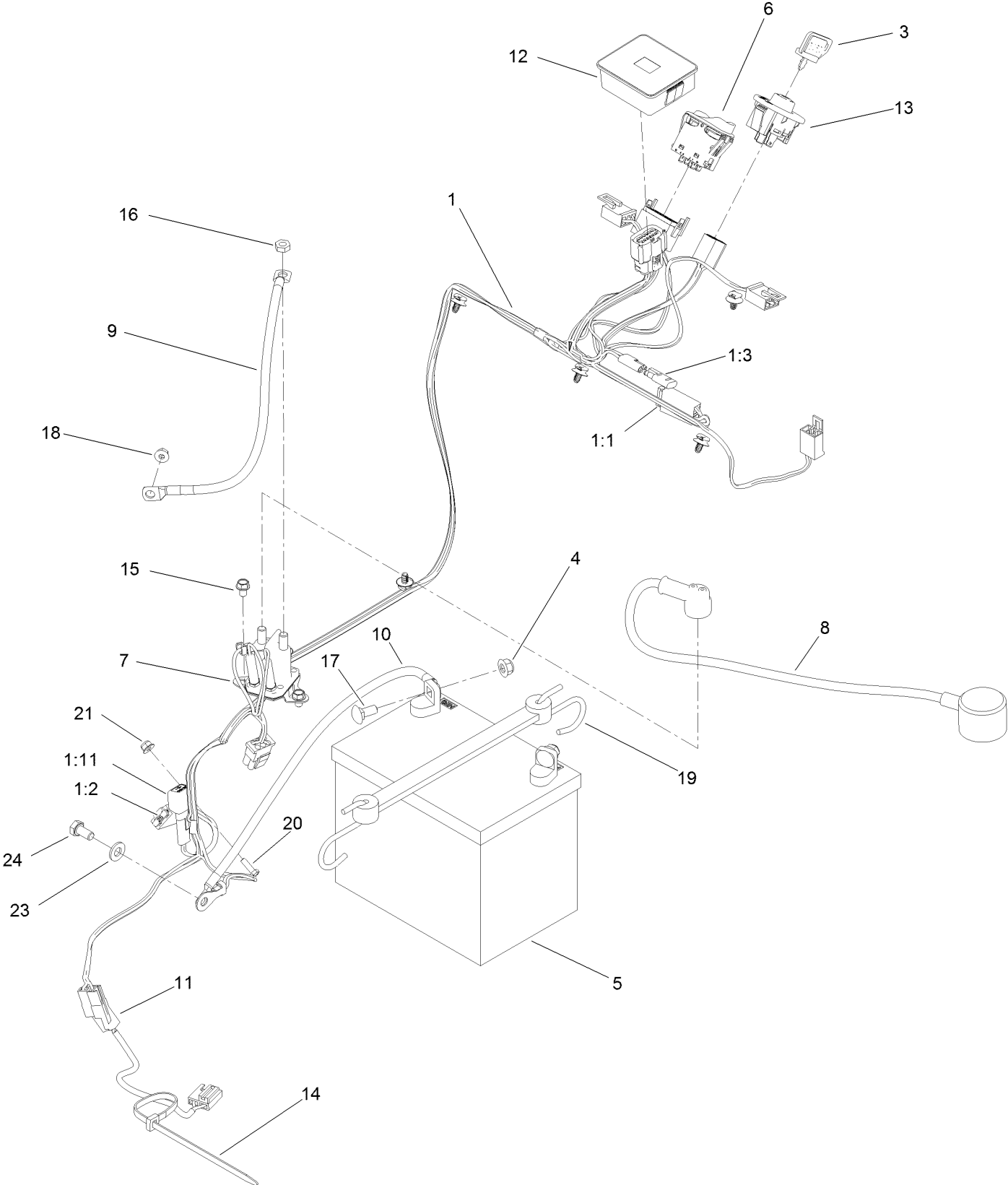
| <i>Ref.</i> | <i>Part Number</i> | <i>Qty.</i> | <i>Description</i> | <i>Ref.</i> | <i>Part Number</i> | <i>Qty.</i> | <i>Description</i> |
|-------------|--------------------|-------------|-------------------------|-------------|--------------------|-------------|---------------------------|
| 1 | 140-1903 | 1 | Engine-Kawasaki, Fs481V | 8 | 116-3735 | 1 | Muffler-Horizontal |
| 2 | 139-2879 | 1 | Pulley | 9 | 116-5052 | 1 | Asm-Oil Drain Hose W/Plug |
| 3 | 127-3408 | 1 | Clutch-PTO | 9:1 | 353-508 | 1 | Plug-HH ● |
| 4 | 120-2217 | 1 | Isolator-Clutch | 9:1:1 | 237-42 | 1 | O-Ring |
| 5 | 94-2701 | 1 | Washer-Hardened | 10 | 98-5975 | 3 | Washer-Belleville |
| 6 | 126-7198 | 1 | Screw-HH W/Loctite | 11 | 323-8 | 4 | Screw-HH |

● Torque to 20-24 ft-lb

Fuel System Assembly (continued)

| <i>Ref.</i> | <i>Part Number</i> | <i>Qty.</i> | <i>Description</i> | <i>Ref.</i> | <i>Part Number</i> | <i>Qty.</i> | <i>Description</i> |
|-------------|--------------------|-------------|-------------------------------------|-------------|--------------------|-------------|--------------------------|
| 1 | 140-4343 | 1 | Fuel Tank ASM, 5 Gal | 10 | 126-1679 | 1 | Hose, Emissions |
| 1:2 | 137-4119 | 1 | Cap-Fuel, Ratcheting | 11 | 32180-030 | 2 | Clip-Tie |
| 1:3 | 114-0284 | 1 | Grommet | 12 | 114-0292 | 1 | Bracket-Canister, Carbon |
| 1:4 | 119-3547 | 1 | Valve-Vent, Fuel | 13 | 117-1221 | 1 | Canister-Carbon, 800Cc |
| 1:5 | 46-6560 | 1 | Bushing | 14 | 109-0304 | 1 | Hose-Fuel |
| 1:6 | 109-9364 | 1 | Fitting-Fuel (W/Line And Screen) | 15 | 106-8150 | 1 | Fitting-Straight |
| 2 | 107-4543 | 2 | Clamp | 16 | 115-0962 | 1 | Hose-Vent, Canister |
| 3 | 104-8300 | 2 | Nut-HF, NI | 17 | 321-3 | 2 | Screw-HH |
| 4 | 322-10 | 2 | Screw-HH | 18 | 104-7201 | 2 | Nut-HF |
| 5 | 114-4428 | 1 | Hose-Fuel | 19 | 116-2232 | 1 | Valve-Control, Vacuum |
| 6 | 1-603770 | 1 | Valve-Fuel | 20 | 135-3417 | 1 | Hose,Vent,Formed |
| 7 | 110-1876 | 1 | Hose-Fuel | 21 | 1-303335 | 3 | Tie-Plastic |
| 8 | 2412-98 | 4 | Clamp-Hose | 25 | 119-8502 | 1 | Hose-Vent, Formed |
| | | | | 26 | 119-8501 | 1 | Hose-Vent, Formed |

Electrical Harness and Battery Assembly



Electrical Harness and Battery Assembly (continued)

| <i>Ref.</i> | <i>Part Number</i> | <i>Qty.</i> | <i>Description</i> | <i>Ref.</i> | <i>Part Number</i> | <i>Qty.</i> | <i>Description</i> |
|-------------|--------------------|-------------|----------------------------|-------------|--------------------|-------------|------------------------|
| 1 | 138-8840 | 1 | Harness-Wire, Wasp | 11 | 126-0624 | 1 | Harness-Clutch Pigtail |
| 1:1 | 109355 | 1 | Fuse-Blade, 15 Amp | 12 | 139-5561 | 1 | Module, Hour Meter |
| 1:2 | 109102 | 1 | Fuse-Blade, 25 Amp | 13 | 137-4100 | 1 | Switch-Ignition |
| 1:3 | 116-0053 | 1 | Cap-Plug | 14 | 1-303335 | 3 | Tie-Plastic |
| 1:11 | 100-4918 | 1 | Diode | 15 | 99-8445 | 2 | Screw-HWH |
| 3 | 63-8360 | 1 | Key-Ignition | 16 | 3220-2 | 1 | Nut-Jam |
| 4 | 104-8300 | 2 | Nut-HF, NI | 17 | 3230-1 | 2 | Bolt-CARR |
| 5 | 105-1692 | 1 | Battery | 18 | 33003-00 | 1 | Nut-HF |
| 6 | 139-6367 | 1 | Switch-Rocker, (On)-On-Off | 19 | 104-2466 | 1 | Holddown-Battery |
| 7 | 117-1197 | 1 | Solenoid | 20 | 3290-134 | 1 | Screw |
| 8 | 139-6350 | 1 | Cable-Battery, Pos ASM | 21 | 120-4578 | 1 | Nut-HF |
| 9 | 139-6354 | 1 | Cable-Battery, Pos ASM | 23 | 33094-00 | 1 | Washer-Plain |
| 10 | 139-6358 | 1 | Cable-Battery, Neg ASM | 24 | 33114-016 | 1 | Screw-HH |

Attachments and Accessories

For 44409 Proline Commercial Walk-Behind Mower with 36in Floating Cutting Unit

| Product Name | Model/Part |
|--|-------------------|
| Hypr-Oil 500 (quart)..... | 114-4713 |
| Hypr-Oil 500 (gallon)..... | 114-4714 |
| Hypr-Oil 500-5 (5 gallon)..... | 114-4715 |
| Bagger Adaptor Kit | 121-7515 |
| Toro Premium Fuel Treatment 12 Oz Bottle | 131-6572 |
| Electric Accessory Port..... | 133-1438 |
| Weight Kit | 138-6866 |
| BLADE - MULCH, 18.00 IN..... | 138-8883-03 |
| BLADE - HI FLOW, 18.00 IN | 138-8887-03 |
| BLADE - HIGH LIFT, 18.00 IN..... | 138-8894-03 |
| HOC Brackets Kit..... | 139-4063 |
| Light Kit..... | 139-5595 |
| Soft Side Bagger..... | 139-7860 |
| 36in Recycler Kit..... | 140-1913 |
| Rubber Deflector Kit | 140-4300 |
| KIT-BAGGING ENHANCEMENT | 140-4321 |
| 6 PACK-BLADE, 18.00 RECYCLER..... | 140-7729 |
| 6 PACK-BLADE, 18.00 HI-FLOW | 140-7733 |
| 6 PACK-BLADE, 18.00 HI-LIFT | 140-7737 |
| 10w30 4-Cycle Engine Oil (32oz Bottle)..... | 38280 |
| Toro 4-Cycle SAE 30 Oil (32oz Bottle) | 38903 |
| Two-Wheel Sulky, Proline Midsize | 44401 |
| Spark Arrestor | 98-9099 |

Notes:



Count on it.