



Count on it.

Parts Catalog

**e-Dingo 500
Compact Tool Carrier**

Model No. 22218—Serial No. 407100000 and Up



Ordering Replacement Parts

To order replacement parts, please supply the part number, the quantity, and the description of each part desired.

Understanding Reference Numbers

Each identified part in an illustration has a reference number. The reference number for a part also appears in the parts list, along with other information about the part.

This catalog uses two special reference number formats, one to indicate parts in a service assembly and another to indicate the quantity of a given part in an illustration.

Service Assembly Reference Numbers

Parts in service assemblies have reference numbers in the form a:b. The a represents the reference number of the entire service assembly and the b represents a sequential number unique to each part within the service assembly.

For example, a wheel assembly might be identified by reference number 6, the tire by 6:1, the valve by 6:2, and the wheel by 6:3. When you order the assembly identified by reference number 6, you receive all parts identified by reference numbers 6:1, 6:2, and 6:3. However, you may also order any part individually. Reference numbers of this type appear in illustration and in parts lists.

Reference Numbers Indicating Quantity

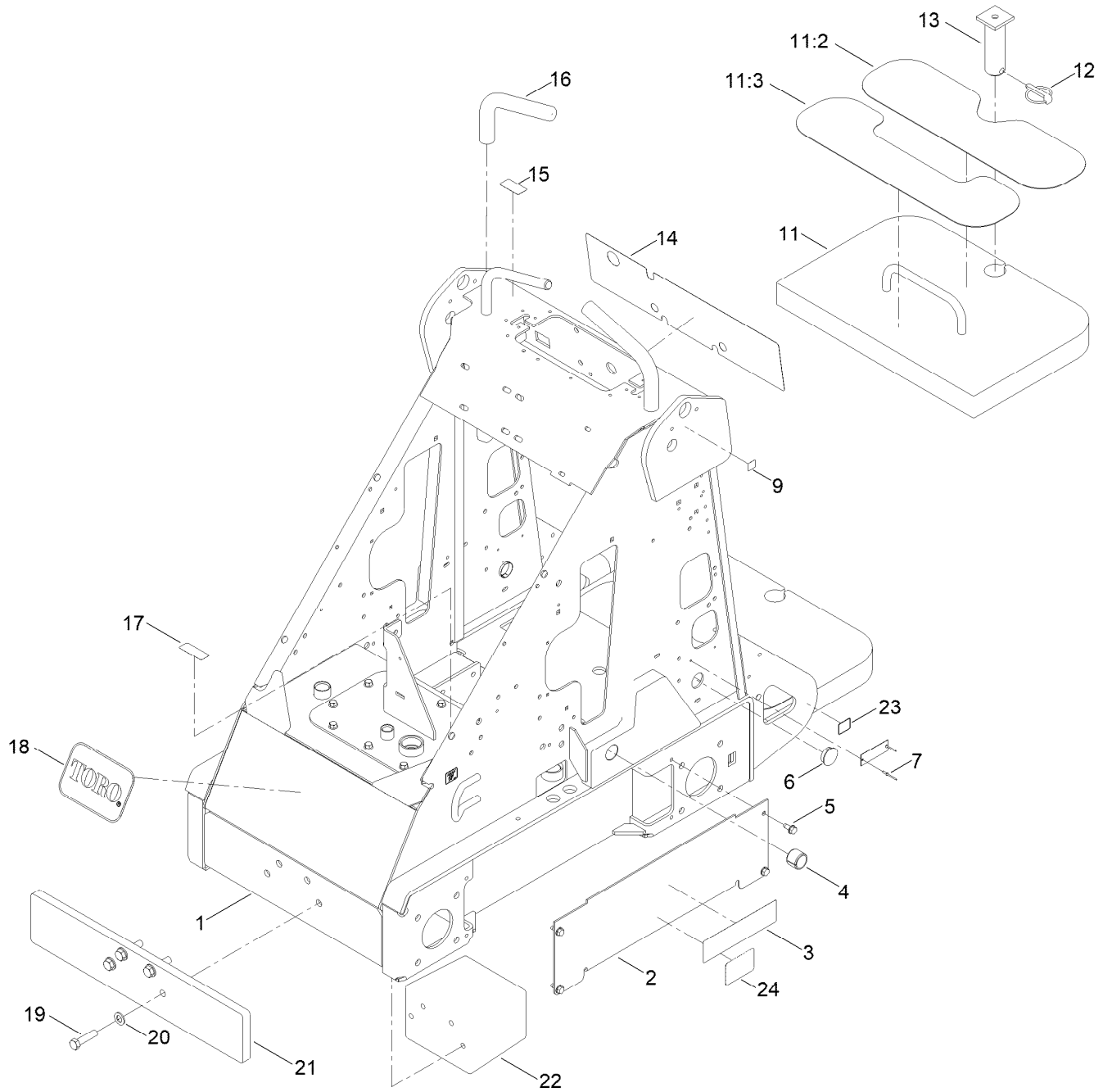
In an illustration, if a reference number indicates more than one part, the reference number has the form nX y. The n represents the quantity of the part, the X is the multiplication symbol, and the y represents the reference number.

For example, in an illustration, the reference number 2X 37 means that two of the parts identified by reference number 37 are indicated.

Contents

Frame Assembly	4
Hood Assembly	6
Canister Bracket and Thigh Support Assembly	8
Wheel Assembly	10
Hydraulic Motor Assembly No. 99-3052	12
Parking Brake Assembly	14
Motor Mount Assembly	16
Hydraulic Pump Assembly No. 139-7665	18
Hydraulic Assembly	20
Auxiliary Valve Assembly	22
Hydraulic Hose Assembly	24
Hydraulic Traction Assembly	26
Counterbalance Valve Assembly No. 99-3040	28
Hydraulic Cylinder Assembly	30
Hydraulic Cylinder Assembly No. 139-7706	32
Relief Valve Assembly	34
Loader and Quick Attach Assembly	36
Battery Assembly	38
Controller Mount Assembly	40
Main Battery and Enclosure Assembly	42
Electrical Harness Assembly	44
Battery Cable Assembly	46
1200 Watt Lithium Battery Charger Assembly	48
Attachments and Accessories	49

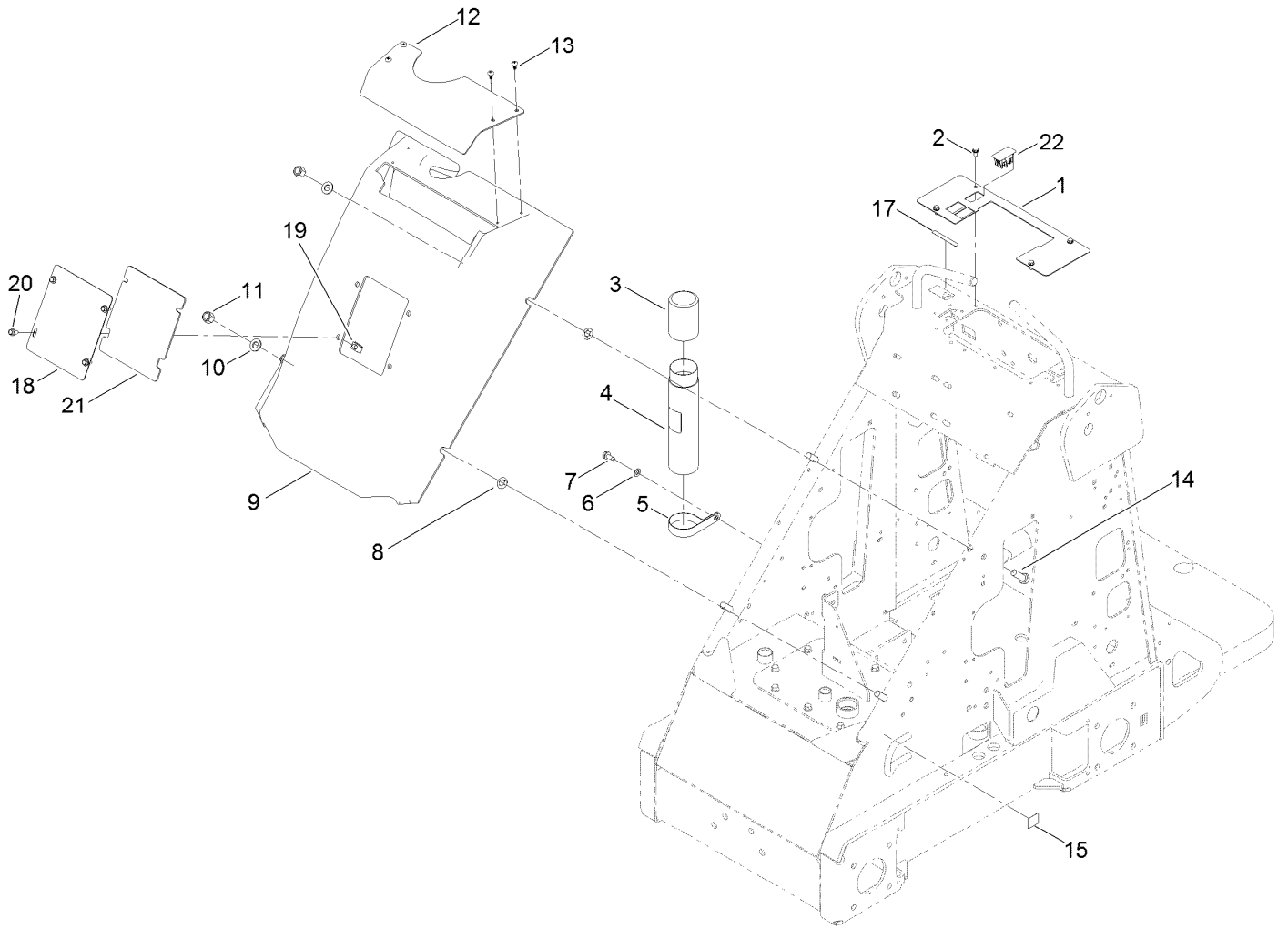
Frame Assembly



Frame Assembly (continued)

<i>Ref.</i>	<i>Part Number</i>	<i>Qty.</i>	<i>Description</i>	<i>Ref.</i>	<i>Part Number</i>	<i>Qty.</i>	<i>Description</i>
1	139-7681-01	1	Frame ASM	14	139-7660	1	Decal-Control Panel
2	106-8178-01	2	Cover-Hose	15	98-4387	1	Decal-Protection, Ear
3	105-8429	2	Decal	16	98-4845	2	Grip-Cushion
4	98-4871	2	Bushing-Tension	17	93-6686	1	Decal-Oil, HYD
5	32144-70	8	Screw-HWHTF	18	62-5550	1	Decal
6	94-1402	2	Plug-Hole	19	01-182-0816	4	Bolt-HH
7	923786	2	Rivet	20	HDW01729	4	Washer,1/2,F436 Hard,F/W,YZN
9	93-9084	2	Decal-Point, Lift	21	138-9905-03	1	Weight-Counter
11	112-4947	1	Counterweight ASM	22	139-7704	1	Weight-Front, Counter
11:2	98-9947	1	Tread-Foot	23	132-9051	2	Decal-Tiedown
11:3	112-4948	1	Tread	24	139-7709	2	Decal-Water Level
12	99-9978	1	Pin-Lynch				
13	99-8638	1	Pin				

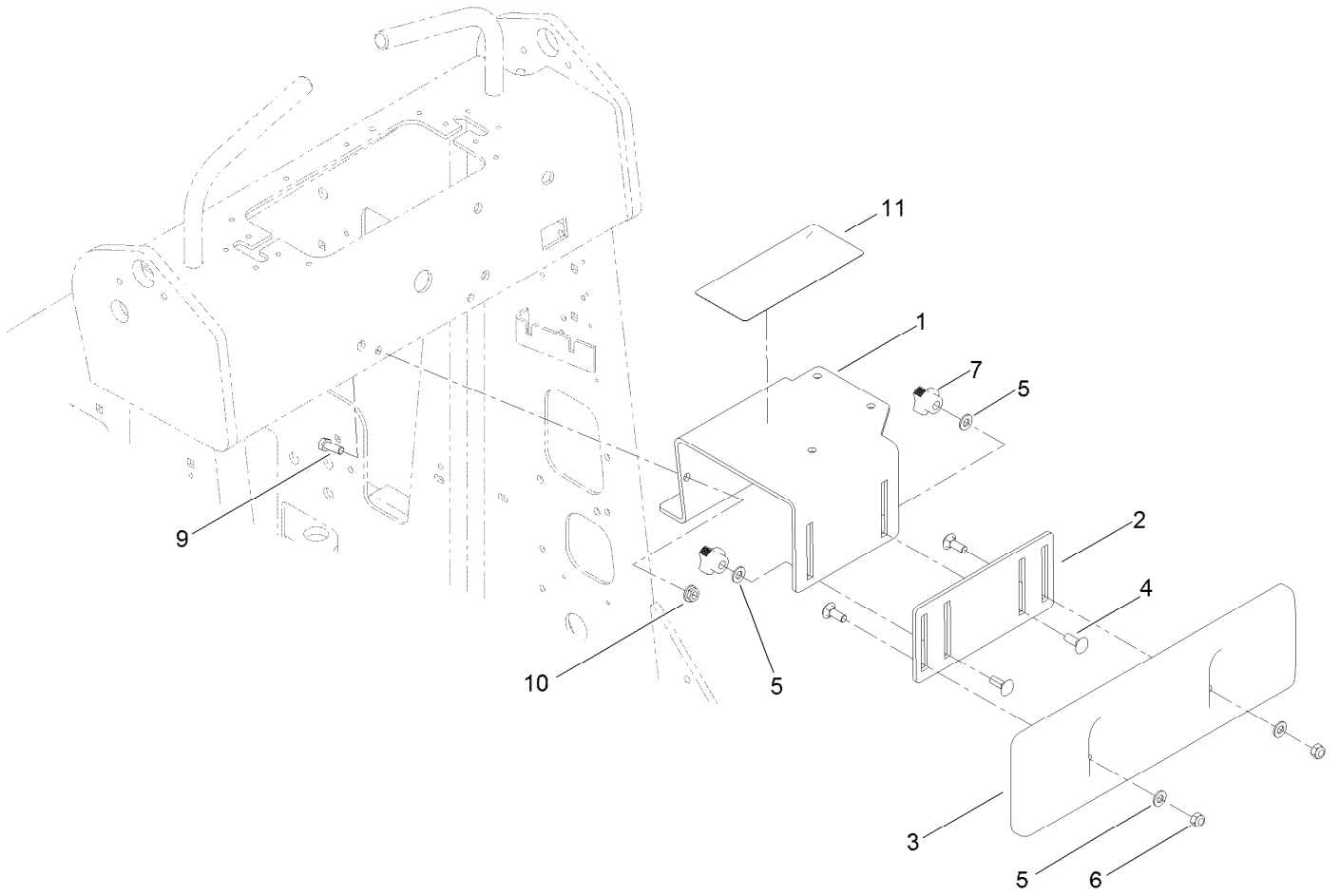
Hood Assembly



Hood Assembly (continued)

<i>Ref.</i>	<i>Part Number</i>	<i>Qty.</i>	<i>Description</i>	<i>Ref.</i>	<i>Part Number</i>	<i>Qty.</i>	<i>Description</i>
1	139-7661-03	1	Plate-Cover	12	138-9903-03	1	Hood-Top, Edingo
2	32144-4	4	Screw-HWH	13	105-6968	4	Screw-Seat, Switch
3	104-7048	1	Cap-Housing	14	325-6	4	Screw-HH
4	104-7050	1	Tube-Manual	15	132-9051	2	Decal-Tiedown
5	2412-133	1	Clamp-R	17	133-8061	1	Decal-Warning
6	3256-23	1	Washer-Plain	18	138-9910-03	1	Edingo-Hood, Cover
7	32144-70	1	Screw-HWHTF	19	107069	4	Clip
8	126-2916	4	Nut-Push	20	99-6810	4	Screw-HHF
9	138-9908	1	Hood-Edingo	21	138-9913	1	Foam-Access, Fuse
10	106-9888	4	Washer-Flat	22	119-7791	1	Plug-Hole, Carling
11	3296-23	4	Nut-Lock, NI				

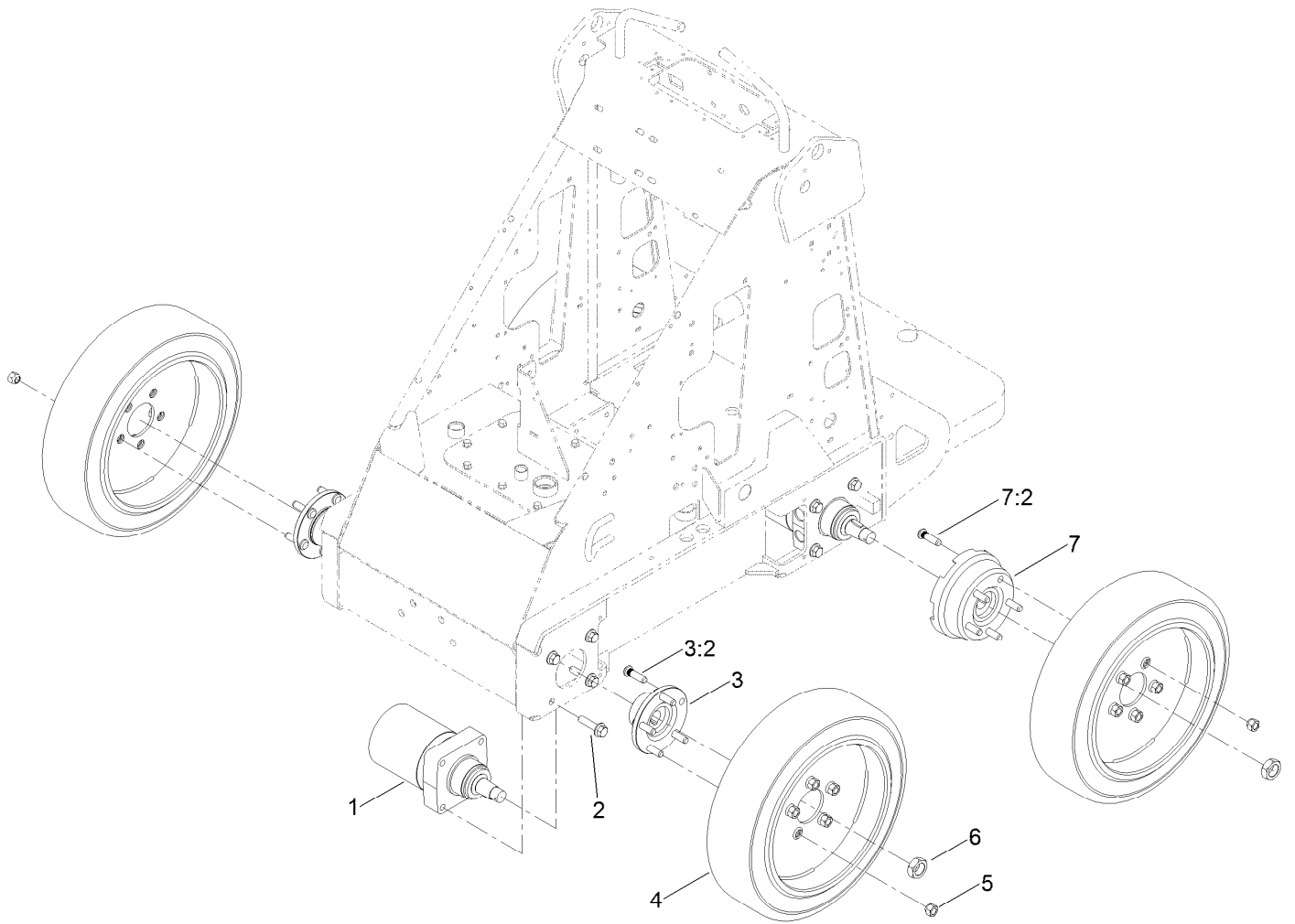
Canister Bracket and Thigh Support Assembly



Canister Bracket and Thigh Support Assembly (continued)

<i>Ref.</i>	<i>Part Number</i>	<i>Qty.</i>	<i>Description</i>	<i>Ref.</i>	<i>Part Number</i>	<i>Qty.</i>	<i>Description</i>
1	117-1812-03	1	Bracket-Thigh, Support	6	3296-72	2	Nut-Lock, NI
2	105-0337-03	1	Plate-Adjusting	7	104-6156	2	Knob-Adjustment
3	105-0333	1	Support-Thigh	9	322-4	2	Screw-HH
4	3230-16	4	Screw-CARR	10	32128-20	2	Nut-HF
5	3256-70	4	Washer-Flat	11	139-7717	1	Decal-Service

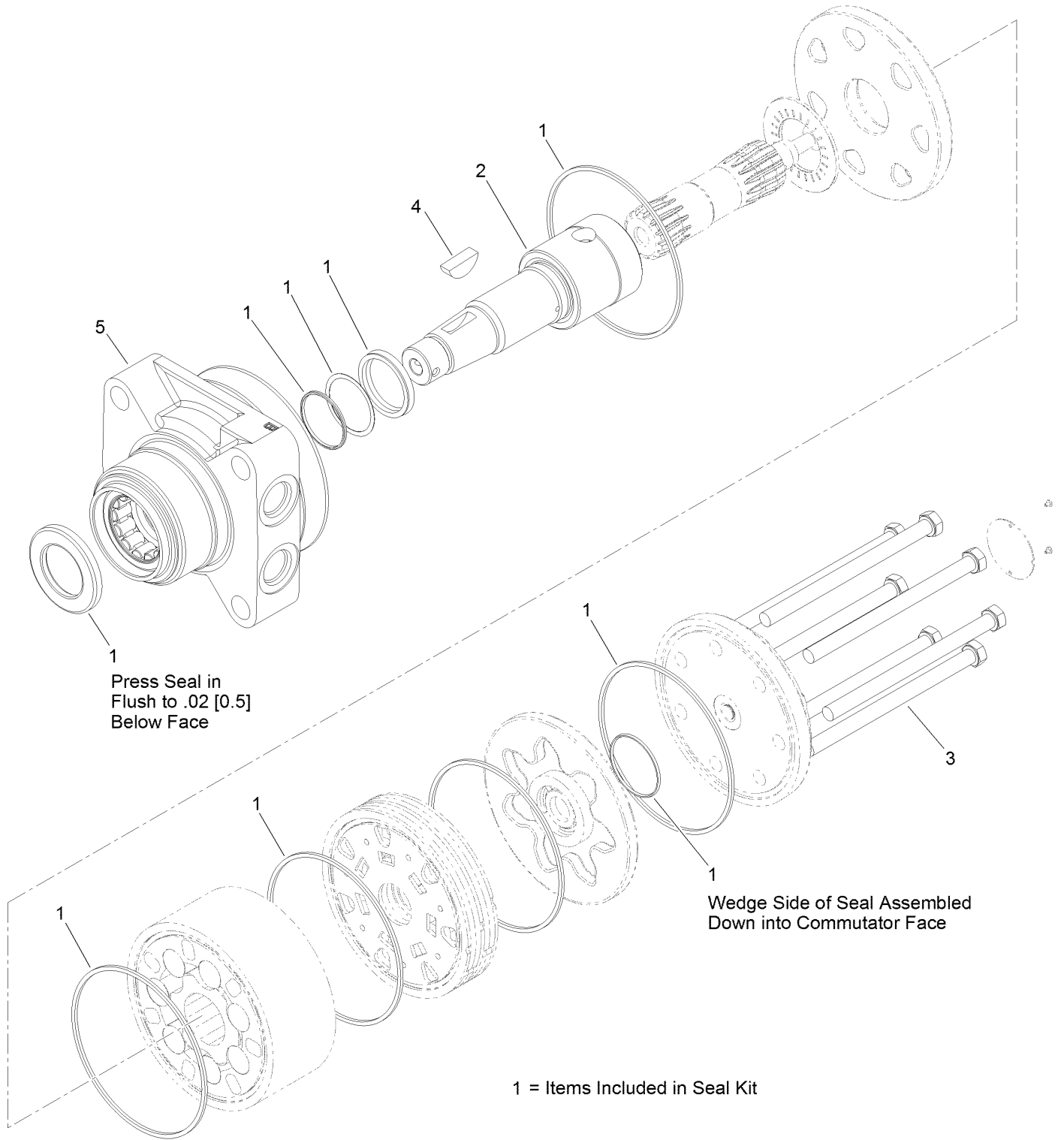
Wheel Assembly



Wheel Assembly (continued)

<i>Ref.</i>	<i>Part Number</i>	<i>Qty.</i>	<i>Description</i>	<i>Ref.</i>	<i>Part Number</i>	<i>Qty.</i>	<i>Description</i>
1	99-3052	4	HYD Motor ASM	5	242-50	20	Nut-Lug
2	3234-27	16	Screw-HHF	6	106-8159	4	Nut-Lock
3	99-3064	2	Hub ASM	7	105-4056	2	Wheel Hub ASM
3:2	10-6830	5	Stud-Type, Drive	7:2	10-6830	5	Stud-Type, Drive
4	139-7714	4	Tire-Solid				

Hydraulic Motor Assembly No. 99-3052

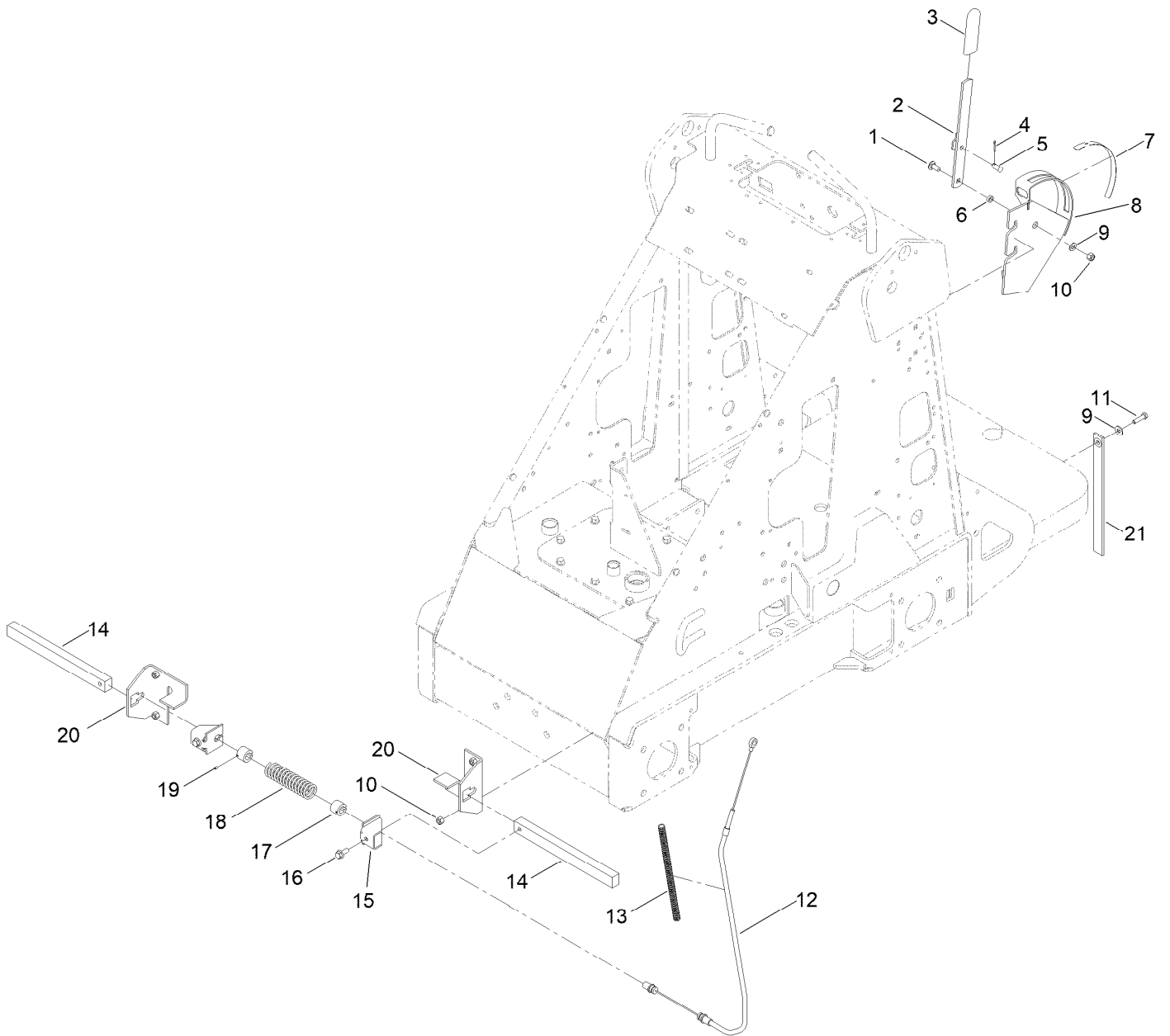


Hydraulic Motor Assembly No. 99-3052 (continued)

<i>Ref.</i>	<i>Part Number</i>	<i>Qty.</i>	<i>Description</i>
1	94-8178	1	Seal Kit
2	99-3090	1	Shaft-Coupling
3	99-3091	7	Screw-Cap, HH

<i>Ref.</i>	<i>Part Number</i>	<i>Qty.</i>	<i>Description</i>
4	3257-42	1	Key-Woodruff
5	120-5392	1	Motor Housing ASM

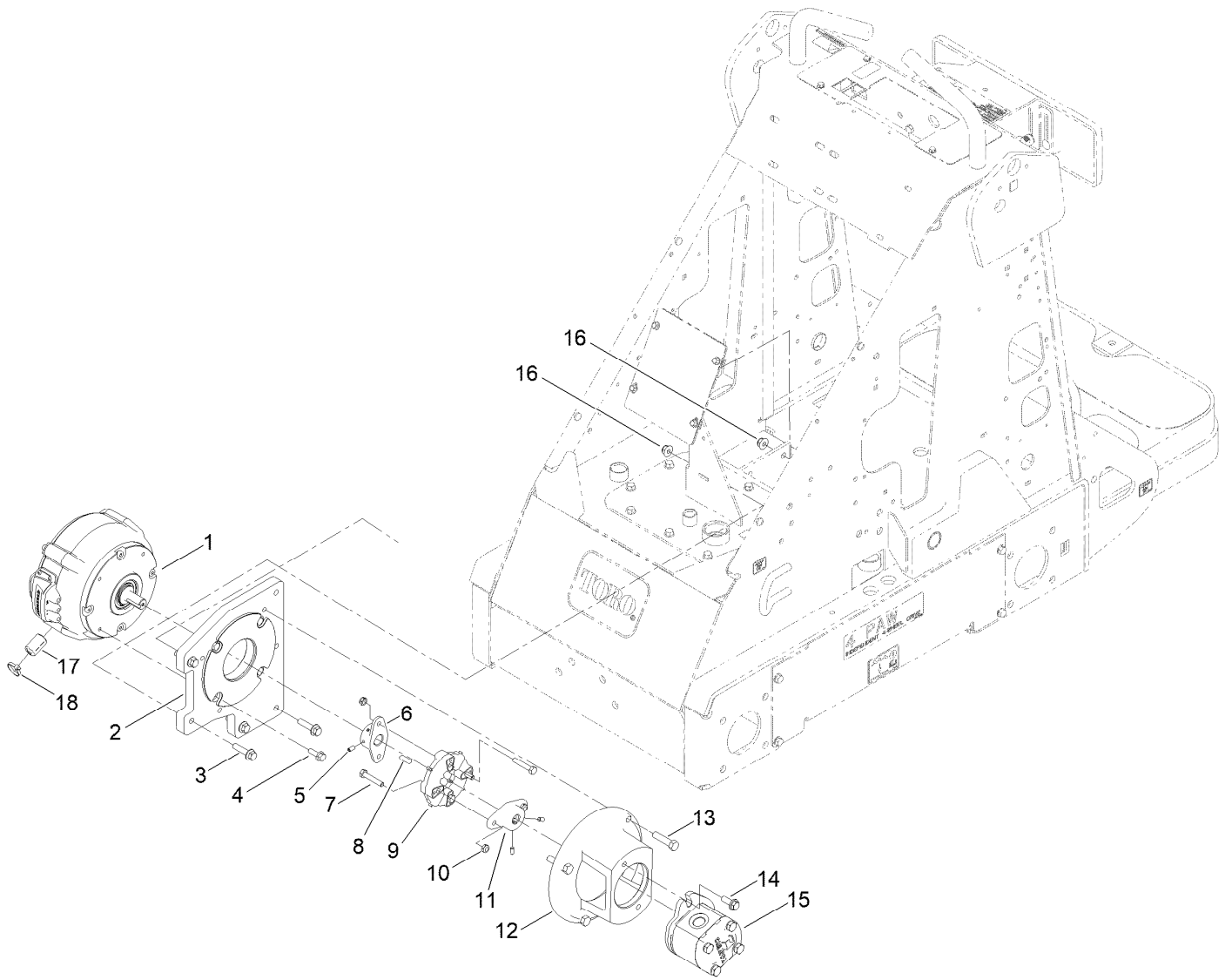
Parking Brake Assembly



Parking Brake Assembly (continued)

<i>Ref.</i>	<i>Part Number</i>	<i>Qty.</i>	<i>Description</i>	<i>Ref.</i>	<i>Part Number</i>	<i>Qty.</i>	<i>Description</i>
1	3230-2	1	Bolt-CARR	12	100-1679	1	Cable
2	100-1684-03	1	Lever-Brake	13	100-4697	1	Tube-Convoluted
3	62-9130	1	Grip-Handle	14	100-1674-0P	2	Bar-Brake
4	3272-6	1	Pin-Cotter	15	100-1677-03	2	Bracket-Cable
5	283-62	1	Pin-Clevis	16	100-1668	2	Screw-HHF
6	100-1683	1	Hub-Lever	17	100-6274	2	Tube-Guide
7	139-7707	1	Decal-Parking Brake	18	100-1678-03	1	Spring
8	105-8414-03	1	Plate-Brake	19	3245-20	2	Screw-HSH
9	3256-3	5	Washer-Flat	20	100-1676-03	2	Bracket-Brake
10	3296-29	5	Nut-Lock, NI	21	139-7731	1	Strap, Static
11	322-6	4	Screw-HH				

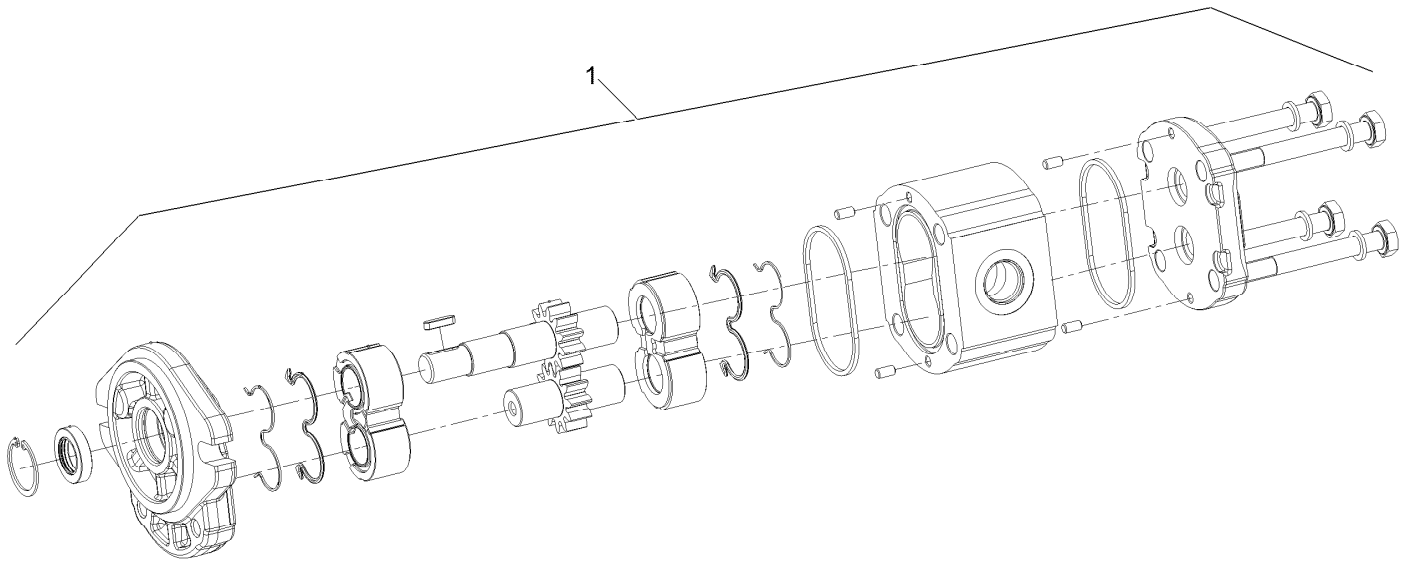
Motor Mount Assembly



Motor Mount Assembly (continued)

<i>Ref.</i>	<i>Part Number</i>	<i>Qty.</i>	<i>Description</i>	<i>Ref.</i>	<i>Part Number</i>	<i>Qty.</i>	<i>Description</i>
1	138-8926	1	Motor/Gen	10	3296-47	4	Nut-Lock, NI
2	139-0454-0P	1	Plate-Adapter, Motor	11	98-4701	1	Hub-Pump
3	114-4681	4	Screw-HHF	12	98-2751-0P	1	Mount-Pump
4	33104-025	4	Screw-HHF	13	324-7	4	Screw-HH
5	3245-9	4	Screw-Set, HSH	14	66-9300	2	Screw-HHF
6	139-7664	1	Hub-Pump	15	139-7665	1	Pump-Hydraulic
7	322-9	4	Screw-HH	16	104-8301	4	Nut-HF, NI
8	104-3097	1	Key-Square	17	139-7720	1	Ferrite, Snap-On
9	119-0652	1	Coupler-Rubber	18	3290-378	1	Tie-Cable

Hydraulic Pump Assembly No. 139-7665

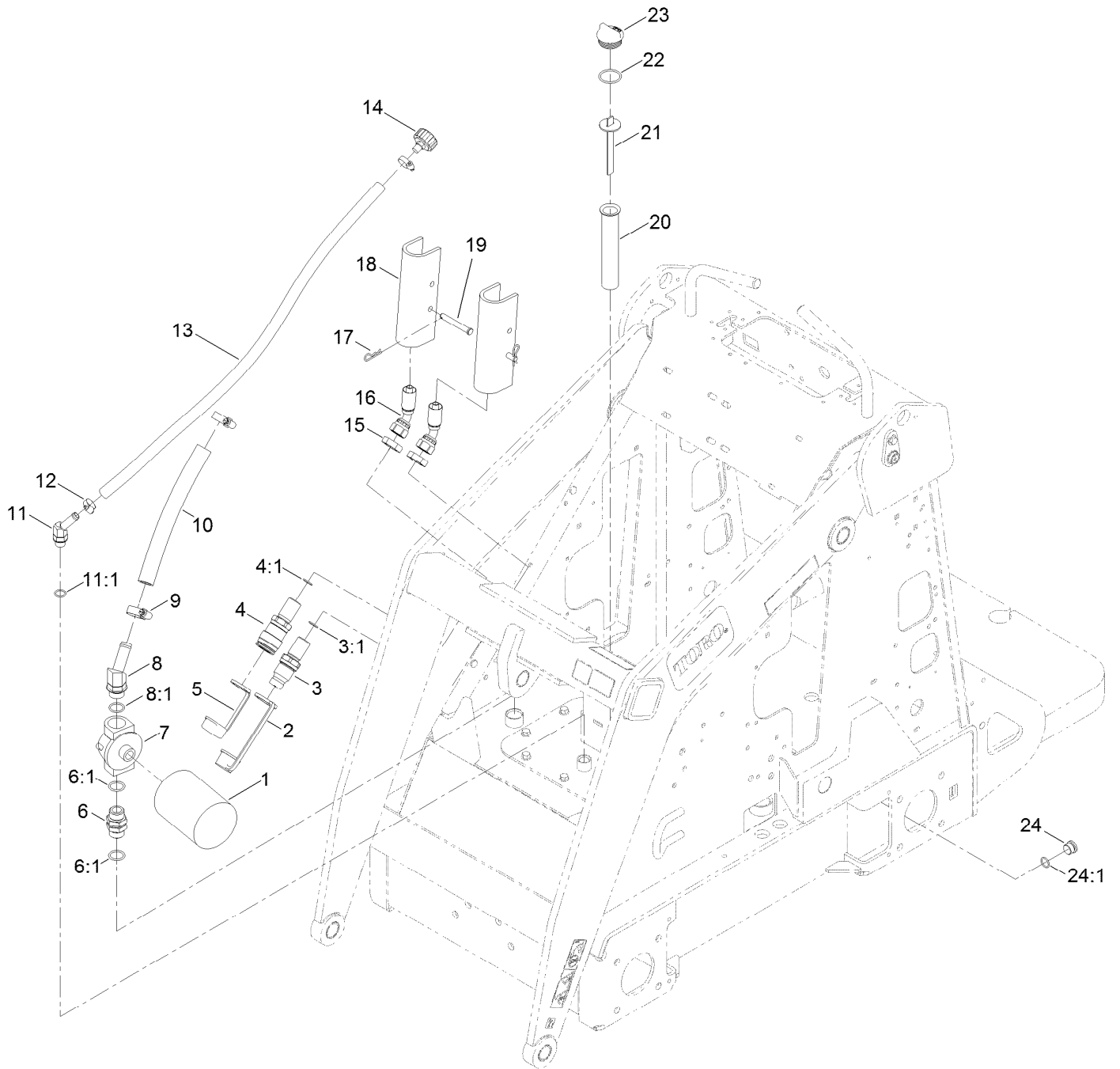


Hydraulic Pump Assembly No. 139-7665 (continued)

<i>Ref.</i>	<i>Part Number</i>	<i>Qty.</i>	<i>Description</i>
1	139-7705	1	Kit-Seal ●

● Not illustrated

Hydraulic Assembly

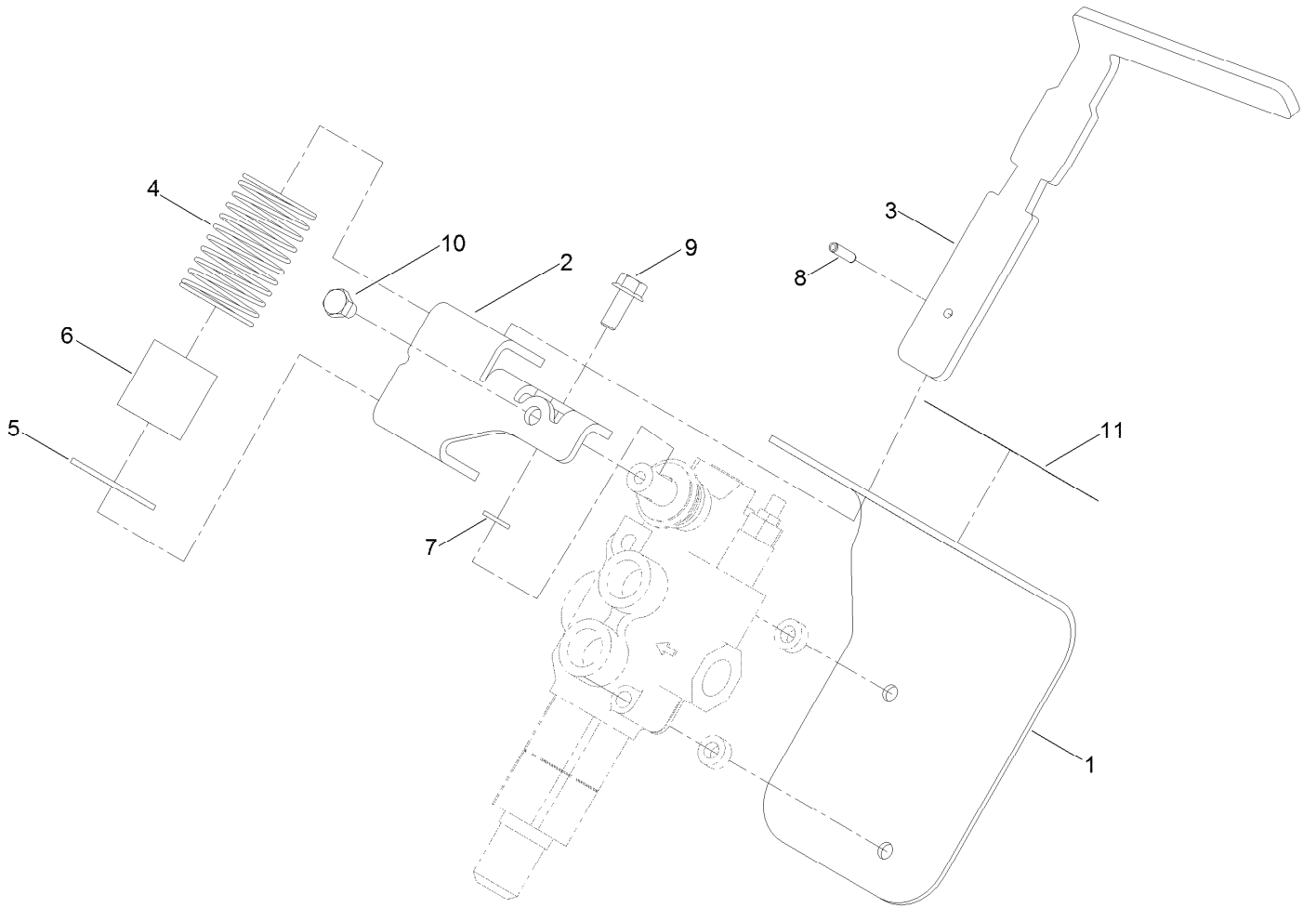


Hydraulic Assembly (continued)

<i>Ref.</i>	<i>Part Number</i>	<i>Qty.</i>	<i>Description</i>	<i>Ref.</i>	<i>Part Number</i>	<i>Qty.</i>	<i>Description</i>
1	54-0110	1	Filter-Oil, Transmission	11:1	237-79	1	O-Ring
2	100-8815	1	Cap-Dust, Nipple	12	2412-36	2	Clamp-Hose
3	105-8395	1	Bulkhead Nipple ASM	13	98-2708	1	Hose-Vent
3:1	237-65	1	O-Ring	14	68-6150	1	Breather
3:2	100-6120	1	Seal Kit ●	15	340-74	2	Nut-Lock, Bulkhead
4	105-8394	1	Bulkhead Coupler ASM	16	100-8817	2	Hose-HYD
4:1	237-65	1	O-Ring	17	3290-467	2	Pin-Hair
5	100-8816	1	Cap-Dust, Coupler	18	98-4675-01	2	Lock-Cylinder
6	98-9906	1	Fitting-Thread, Straight	19	283-52	2	Pin-Clevis
6:1	237-81	2	O-Ring	20	61-2790	1	Filter-Screen
7	92-5821	1	Head-Filter	21	100-2097	1	Dipstick-Oil
8	354-127	1	Fitting-Elbow45	22	237-101	1	O-Ring
8:1	237-81	1	O-Ring	23	93-7498	1	Plug-Plastic
9	2412-129	2	Clamp-Hose	24	353-988	1	Plug-Hex
10	98-4745	1	Hose-HYD, Suction, Hi	24:1	237-79	1	O-Ring
11	354-126	1	Fitting-Elbow, 45	25	3334-945	2	Tie-Cable ●

● Not illustrated

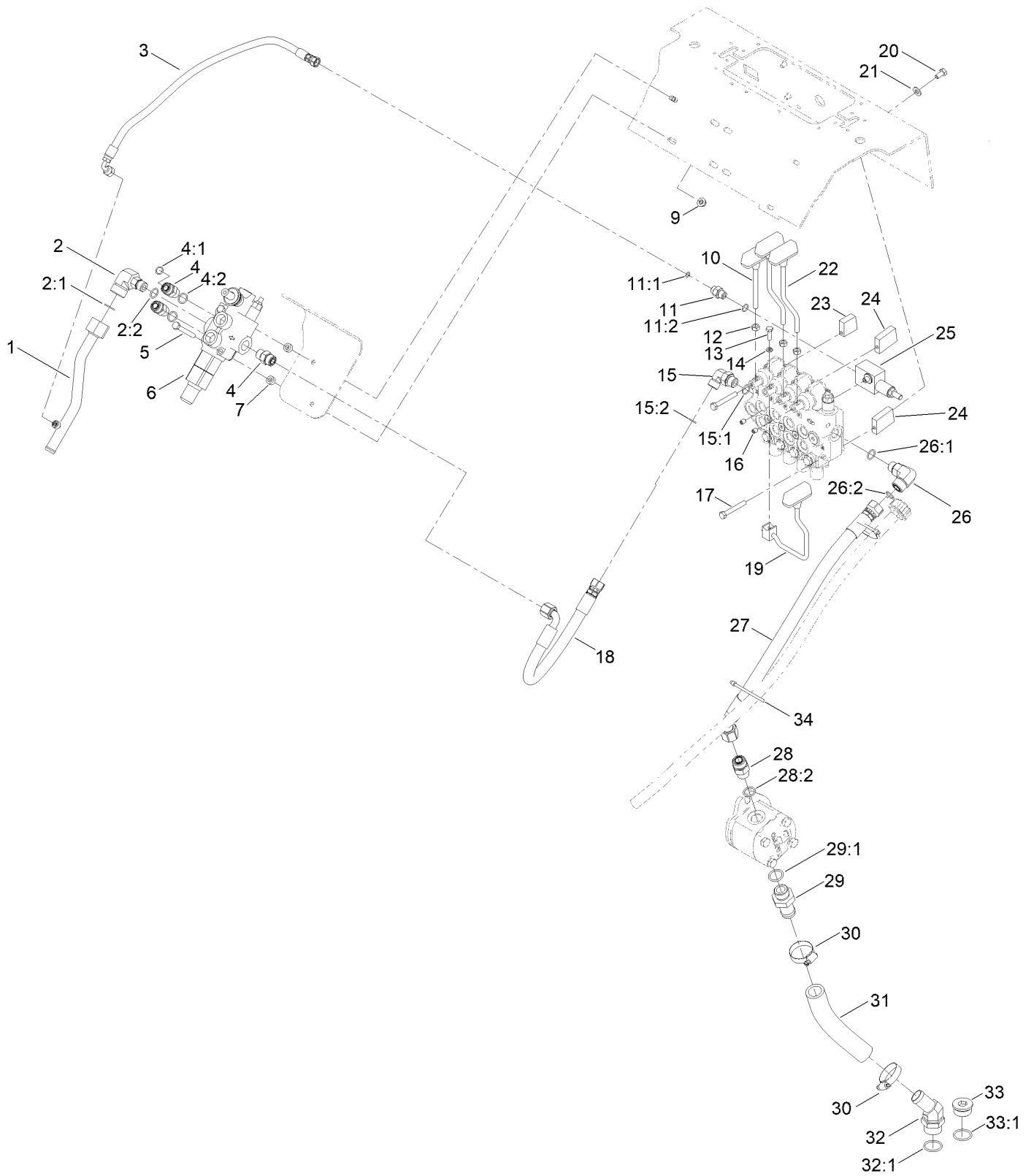
Auxiliary Valve Assembly



Auxiliary Valve Assembly (continued)

<i>Ref.</i>	<i>Part Number</i>	<i>Qty.</i>	<i>Description</i>	<i>Ref.</i>	<i>Part Number</i>	<i>Qty.</i>	<i>Description</i>
1	110-0121-03	1	Bracket-Auxiliary	7	3253-4	1	Washer-Lock
2	114-1263-03	1	Mount-Lever, Auxiliary	8	32121-3	1	Pin-Spring
3	110-0123-03	1	Handle-Lever, Aux	9	33104-020	1	Screw-HHF
4	110-0124	1	Spring	10	33114-010	1	Screw-HH
5	110-0125	1	Retainer-Spring, Auxiliary	11	108-4723	1	Decal-Auxiliary, CE
6	110-0160	1	Tube-Spring				

Hydraulic Hose Assembly

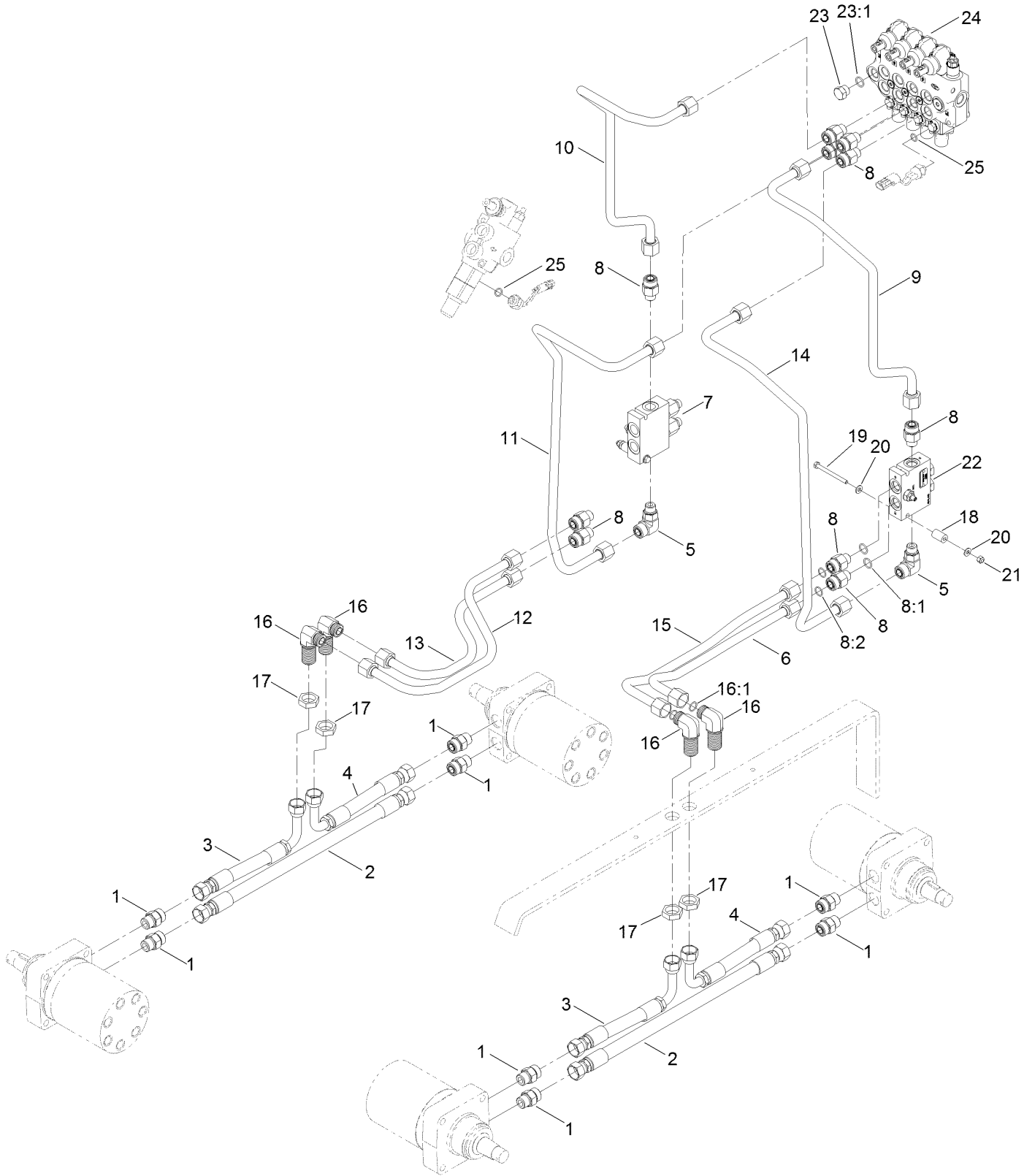


Hydraulic Hose Assembly (continued)

<i>Ref.</i>	<i>Part Number</i>	<i>Qty.</i>	<i>Description</i>	<i>Ref.</i>	<i>Part Number</i>	<i>Qty.</i>	<i>Description</i>
1	139-0531	1	Hydraulic Tube ASM	18	139-0537	1	HYD Hose ASM
2	92-5696	1	Fitting-Elbow, 90 DEG	19	106-8165	1	Lever-Control
2:1	237-58	1	O-Ring	20	322-2	3	Screw-HH
2:2	237-79	1	O-Ring	21	33094-00	3	Washer-Plain
3	139-0532	1	HYD Hose ASM	22	104-5733	2	Lever-Drive
4	340-4	3	Fitting-Straight	23	105-7870	1	Spacer-Upper V
4:1	237-30	1	O-Ring	24	108-4728	2	Spacer V
4:2	237-79	1	O-Ring	25	105-7882	1	Relief Valve ASM
5	322-12	2	Screw-HH	25:1	105-8358	1	Cartridge-Valve, Relief ●
6	99-3077	1	Valve-HYD, Auxiliary	25:2	105-8357	1	Seal Kit ●
6:3	99-4390	1	Seal Kit ●	26	340-153	1	Fitting-Elbow, 90 DEG
6:3:1	99-3074	4	Gasket ●	26:1	237-79	1	O-Ring ●
6:3:2	99-3075	8	Gasket ●	26:2	237-151	1	O-Ring ●
7	100-2085	2	Spacer	27	139-0522	1	HYD Hose ASM
9	104-8300	2	Nut-HF, NI	28	340-7	1	Fitting-Straight
10	105-7881	1	Lever-Cylinder	28:1	237-65	1	O-Ring ●
11	340-1	1	Fitting-Straight	28:2	237-80	1	O-Ring
11:1	237-21	1	O-Ring	29	99-3017	1	Fitting
11:2	237-42	1	O-Ring	29:1	237-81	1	O-Ring
12	33014-00	3	Nut-Hex	30	2412-111	2	Clamp
13	321-5	1	Screw-HH	31	137-0078	1	Hose
14	3253-3	1	Washer-Lock	32	131-9612	1	Fitting-Elbow-45
15	340-98	1	Fitting-Elbow, 90 DEG	32:1	237-146	1	O-Ring
15:1	237-79	1	O-Ring	33	105-3921	1	Fitting-Plug
15:2	237-30	1	O-Ring	33:1	237-146	1	O-Ring
16	105-4068	3	Screw-Set, HSH	34	3290-378	2	Tie-Cable
17	322-11	3	Screw-HH				

● Not illustrated

Hydraulic Traction Assembly

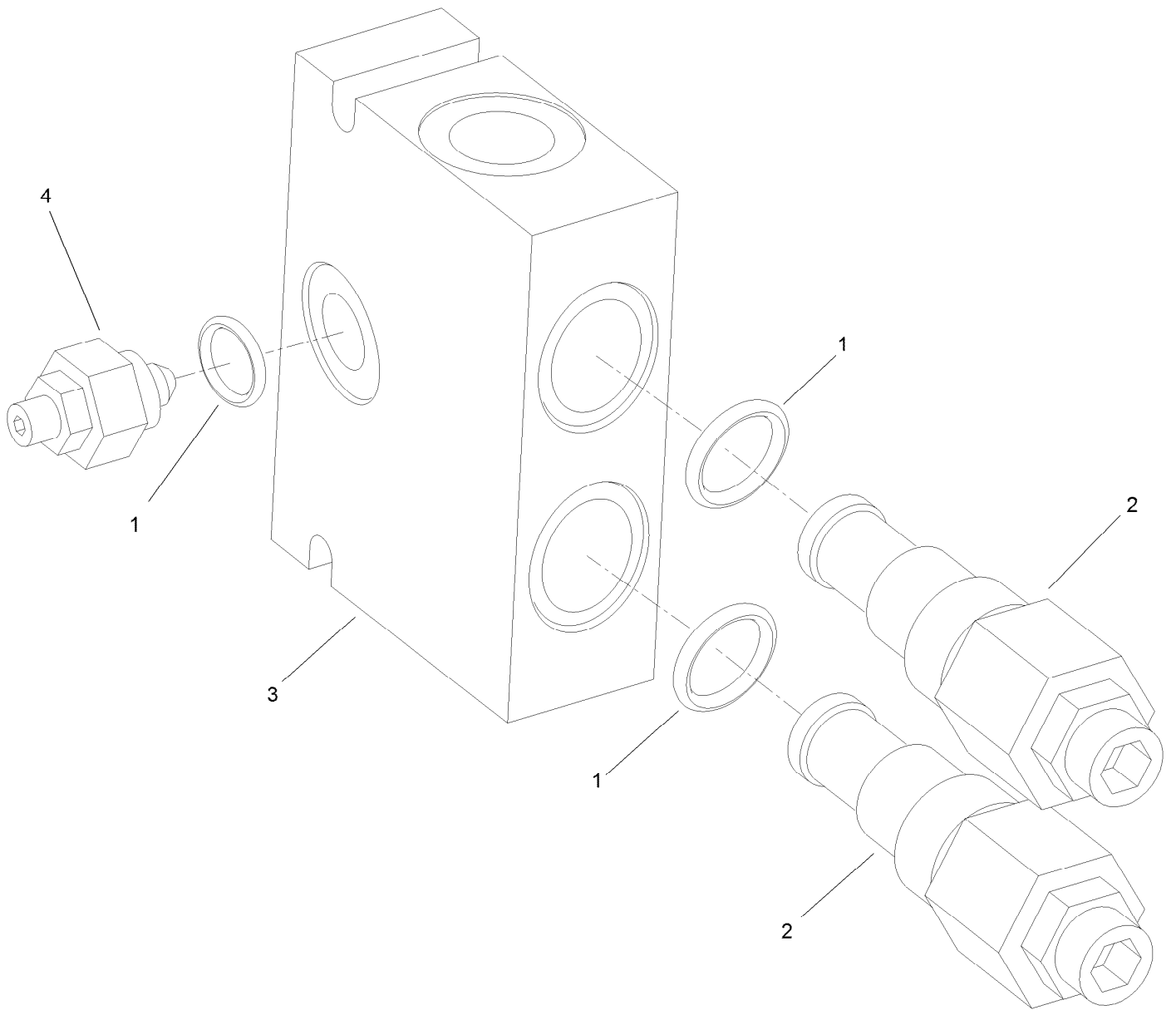


Hydraulic Traction Assembly (continued)

<i>Ref.</i>	<i>Part Number</i>	<i>Qty.</i>	<i>Description</i>	<i>Ref.</i>	<i>Part Number</i>	<i>Qty.</i>	<i>Description</i>
1	340-7	8	Fitting-Straight	12	99-3025	1	Tube-HYD
1:1	237-65	1	O-Ring ●	13	99-3028	1	Tube-HYD
1:2	237-80	1	O-Ring ●	14	108-9725	1	Tube-HYD
2	99-3012	2	Hose-HYD	15	99-3026	1	Tube-HYD
3	99-3010	2	Hose-HYD	16	340-72	4	Fitting-Bulkhead, 90 DEG
4	99-3011	2	Hose-HYD	16:1	237-65	2	O-Ring
5	340-153	2	Fitting-Elbow, 90 DEG	17	340-74	4	Nut-Lock, Bulkhead
5:1	237-79	1	O-Ring ●	18	99-3057	2	Spacer-Valve
5:2	237-151	1	O-Ring ●	19	321-23	2	Screw-HH
6	99-3022	1	Tube-HYD	20	3256-22	4	Washer-Flat
7	99-3040	1	HYD Counterbalance Valve ASM	21	3296-42	2	Nut-Lock, NI
8	340-155	10	Fitting-Straight	22	139-7696	1	Manifold-Hydraulic
8:1	237-79	1	O-Ring	22:1	139-7701	1	Seal-Kit, Needle Valve ●
8:2	237-151	1	O-Ring	22:2	139-7702	2	Seal-Kit, Plug ●
9	108-9729	1	Tube-HYD	23	353-550	1	Plug-HYD, HH
10	108-9727	1	Tube-HYD	23:1	237-79	1	O-Ring
11	108-9726	1	Tube-HYD	24	139-7697	1	Valve-Hydraulic, 4-Spool
				25	237-42	5	O-Ring

● Not illustrated

Counterbalance Valve Assembly No. 99-3040

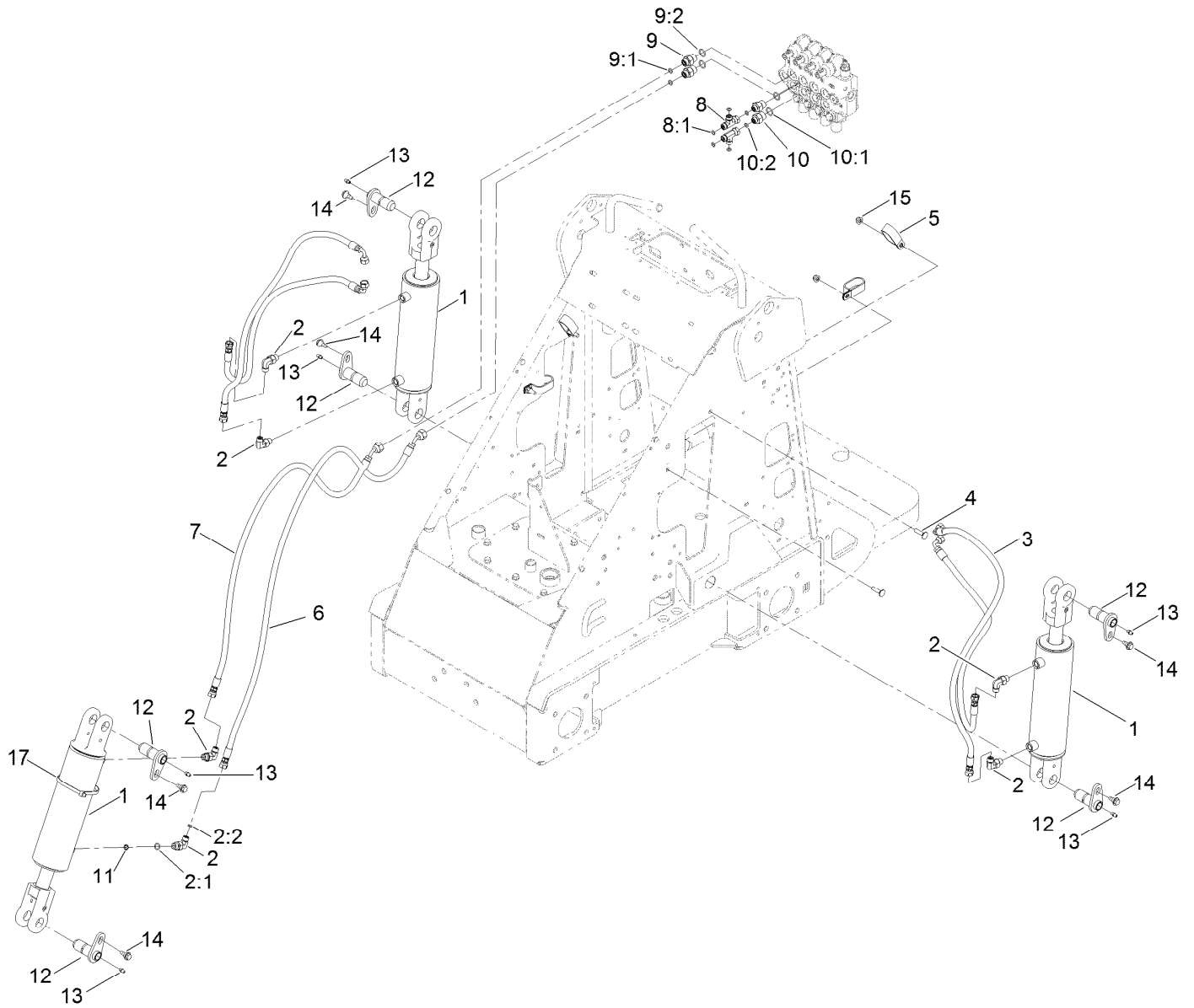


Counterbalance Valve Assembly No. 99-3040 (continued)

<i>Ref.</i>	<i>Part Number</i>	<i>Qty.</i>	<i>Description</i>
1	105-4099	1	Seal Kit
2	99-3271	2	Valve-Cartridge

<i>Ref.</i>	<i>Part Number</i>	<i>Qty.</i>	<i>Description</i>
3	100-8864	1	Manifold ASM
4	100-8865	1	Needle Valve ASM

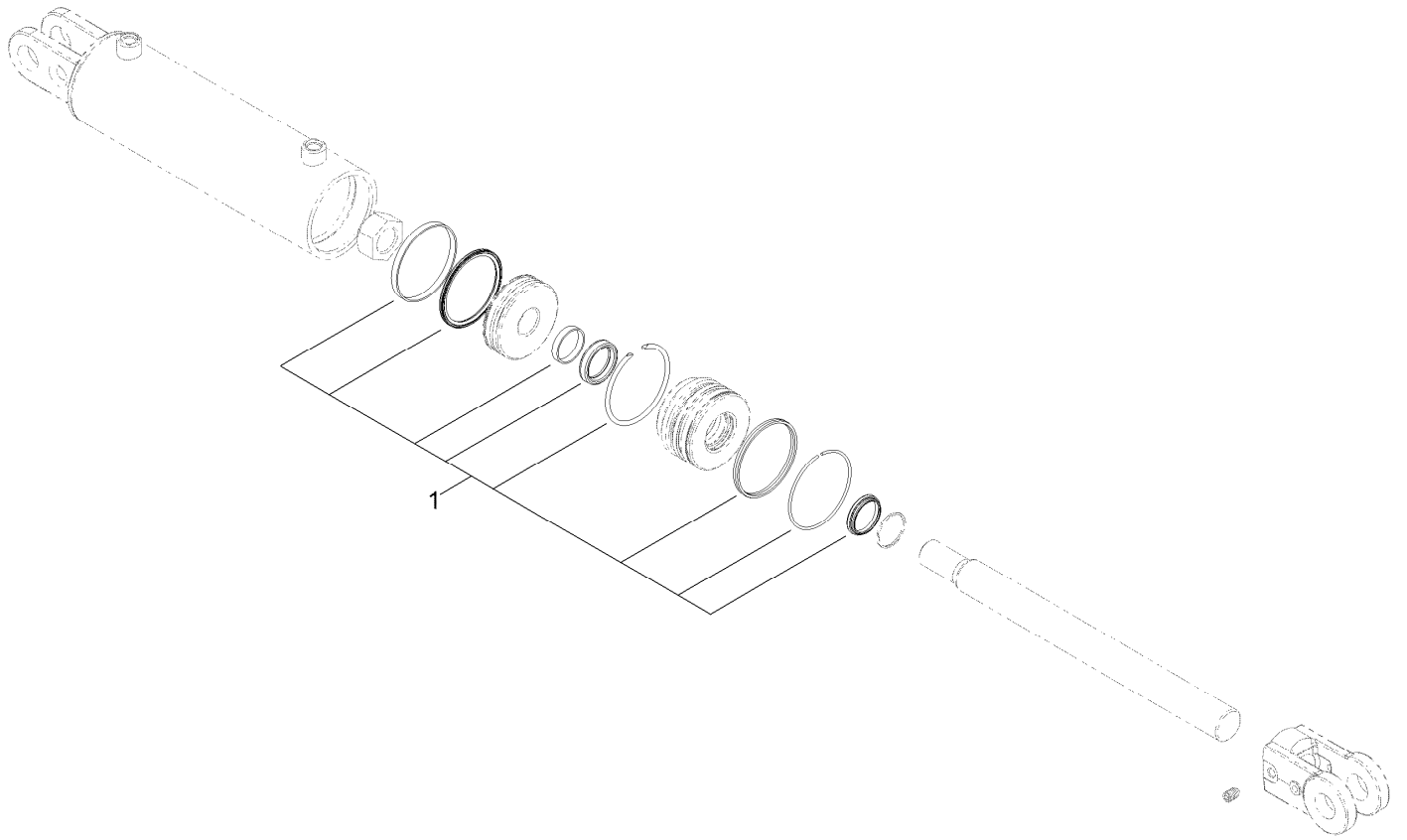
Hydraulic Cylinder Assembly



Hydraulic Cylinder Assembly (continued)

<i>Ref.</i>	<i>Part Number</i>	<i>Qty.</i>	<i>Description</i>	<i>Ref.</i>	<i>Part Number</i>	<i>Qty.</i>	<i>Description</i>
1	139-7706	3	Cylinder-Hydraulic	9:1	237-22	1	O-Ring
2	340-82	6	Fitting-Elbow, 90 DEG	9:2	237-79	1	O-Ring
2:1	237-42	1	O-Ring	10	340-133	2	Fitting-STR
2:2	237-21	1	O-Ring	10:1	237-79	1	O-Ring
3	98-4725	4	Hose-HYD	10:2	237-21	1	O-Ring
4	3230-3	4	Screw-CARR	11	108-4714	1	Orifice-Port Insert, One Way
5	2412-137	4	Clamp-R, Double	12	112-2609	6	Pin-Pivot
6	98-4726	1	Hose-HYD	13	302-5	6	Fitting-Grease
7	98-4727	1	Hose-HYD	14	99-5105	6	Screw-Shoulder
8	340-151	2	Fitting-Tee	15	104-8300	4	Nut-HF, NI
8:1	237-21	2	O-Ring	17	3334-945	3	Tie-Cable
9	340-3	2	Fitting-Straight				

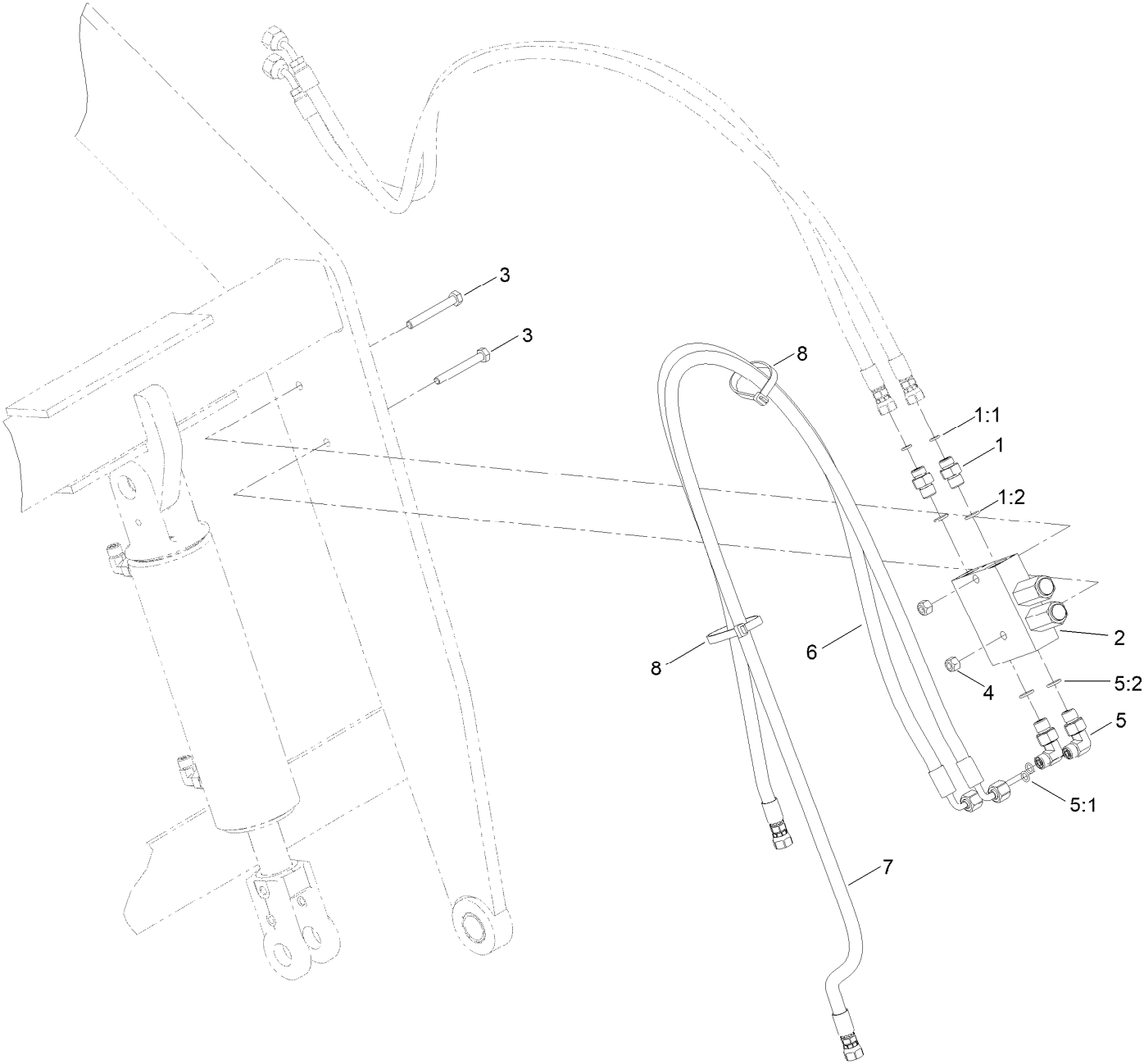
Hydraulic Cylinder Assembly No. 139-7706



Hydraulic Cylinder Assembly No. 139-7706 (continued)

<i>Ref.</i>	<i>Part Number</i>	<i>Qty.</i>	<i>Description</i>
1	139-7713	1	Kit-Seal, Hydraulic CYL

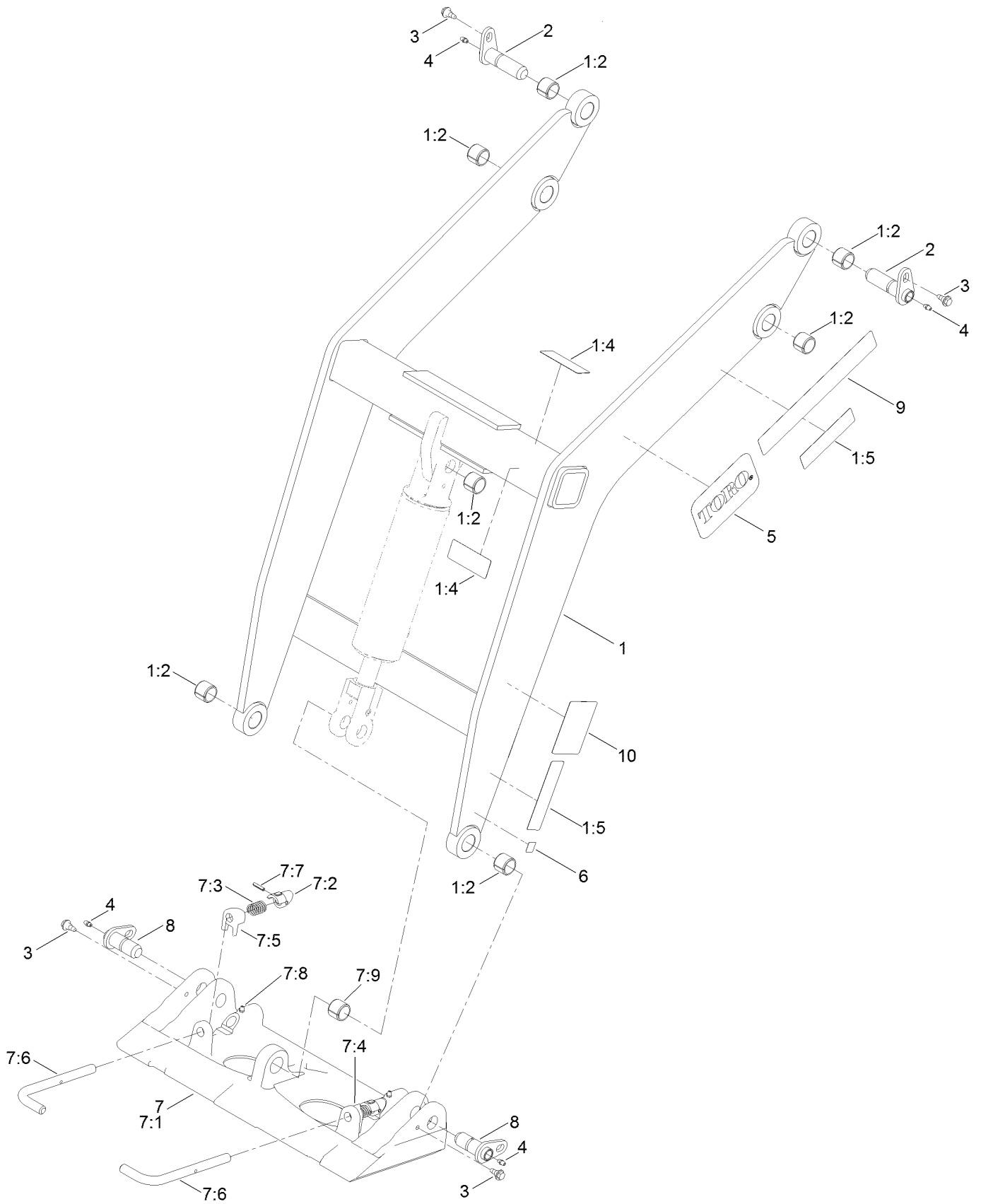
Relief Valve Assembly



Relief Valve Assembly (continued)

<i>Ref.</i>	<i>Part Number</i>	<i>Qty.</i>	<i>Description</i>	<i>Ref.</i>	<i>Part Number</i>	<i>Qty.</i>	<i>Description</i>
1	340-1	2	Fitting-Straight	5	340-82	2	Fitting-Elbow, 90 DEG
1:1	237-21	1	O-Ring	5:1	237-42	1	O-Ring
1:2	237-42	1	O-Ring	5:2	237-21	1	O-Ring
2	138-9944	1	Valve-Relief, Crossover	6	99-4361	1	Hose-ASM
3	322-12	2	Screw-HH	7	99-4362	1	Hose-ASM
4	3296-29	2	Nut-Lock, NI	8	3334-945	2	Tie-Cable

Loader and Quick Attach Assembly

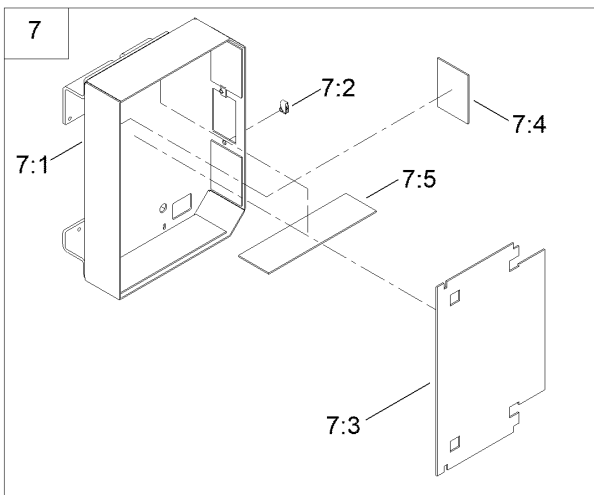
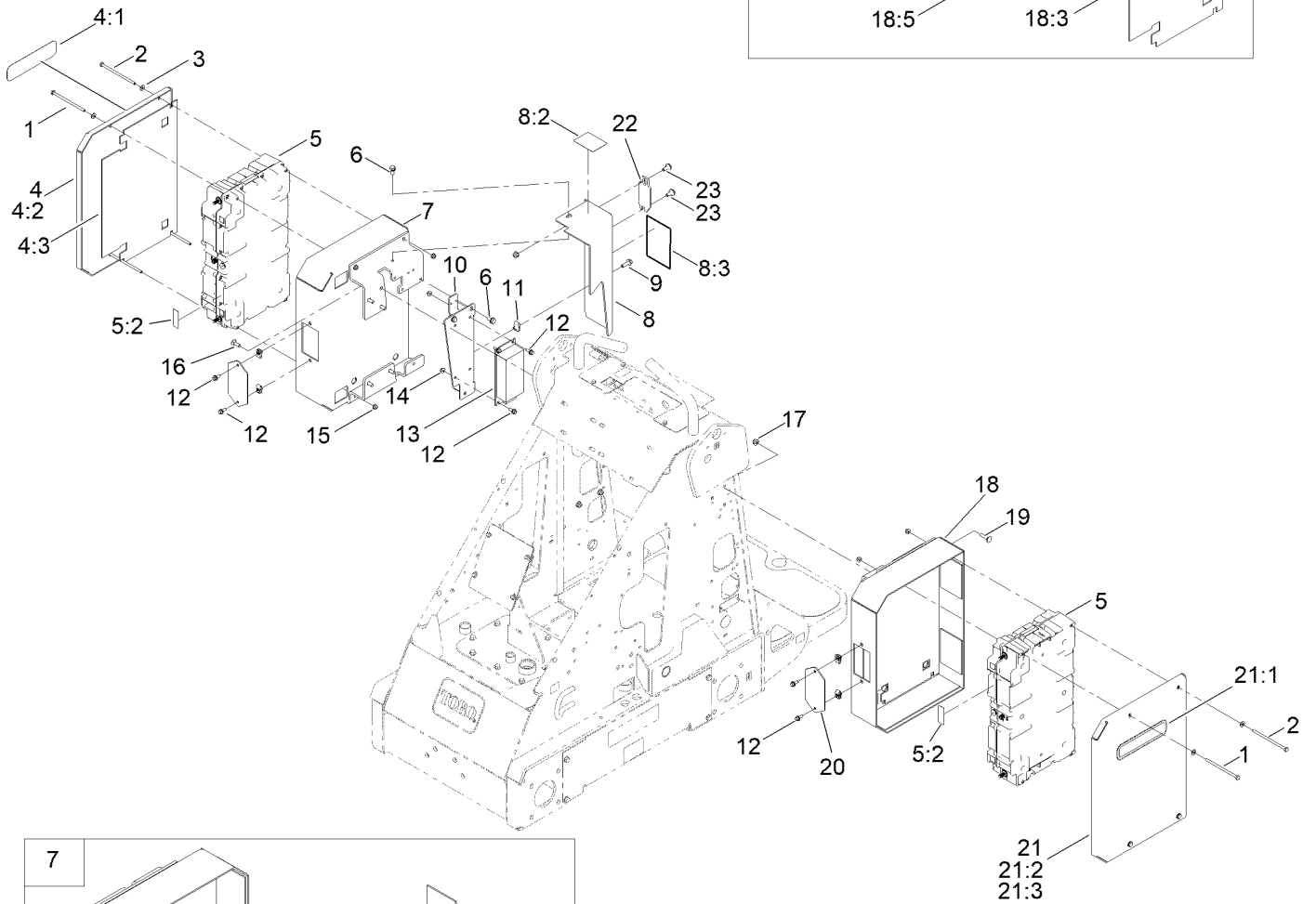
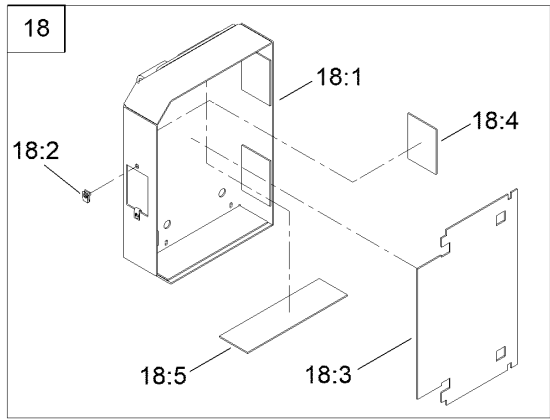


Loader and Quick Attach Assembly (continued)

<i>Ref.</i>	<i>Part Number</i>	<i>Qty.</i>	<i>Description</i>	<i>Ref.</i>	<i>Part Number</i>	<i>Qty.</i>	<i>Description</i>
1	106-8155	1	Loader ASM	7:3	98-4694	2	Spring-Compression
1:2	98-4871	7	Bushing-Tension	7:4	104-5909	1	Stop-RH
1:4	130-2837	2	Decal-Warning, No Rider	7:5	104-5903	1	Stop-LH
1:5	130-2836	4	Decal-Warning, Crushing	7:6	132-8419	2	Pin-Locking
2	120-5363	2	Pin-Pivot	7:7	3285-1	2	Pin-Grooved
3	99-5105	4	Screw-Shoulder	7:8	302-5	2	Fitting-Grease
4	302-5	4	Fitting-Grease	7:9	98-4871	1	Bushing-Tension
5	93-7340	2	Decal	8	112-2609	2	Pin-Pivot
6	93-9084	2	Decal-Point, Lift	9	139-7658	2	Decal- E-Dingo
7	132-8418	1	Quick Attach ASM	10	139-7708	2	Decal-Warning, Bucket
7:1	130-7708-03	1	Mount-Qtach	11	139-7725	2	Decal-We 500 ●
7:2	105-0246	2	Cam				

● Not illustrated

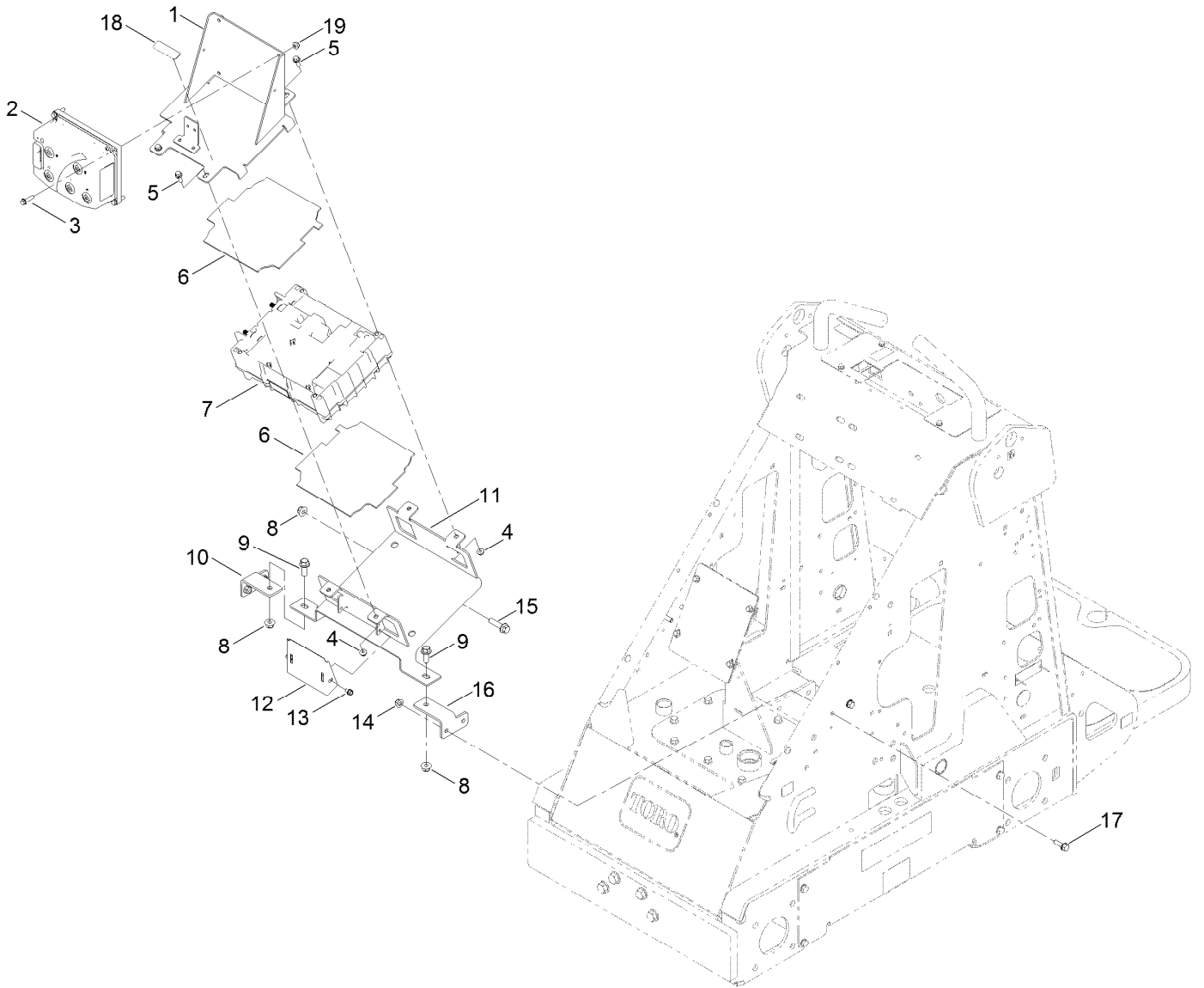
Battery Assembly



Battery Assembly (continued)

<i>Ref.</i>	<i>Part Number</i>	<i>Qty.</i>	<i>Description</i>	<i>Ref.</i>	<i>Part Number</i>	<i>Qty.</i>	<i>Description</i>
1	139-0544	2	Screw-HH	11	94-2413	2	Nut-U
2	321-36	6	Screw-HH	12	99-6810	8	Screw-HHF
3	120-9679	8	Washer-Flat	13	137-7952	1	Converter-DC-DC
4	139-7686	1	Cover-Battery ASM	14	104-7201	4	Nut-HF
4:1	139-7659	1	Decal - Lithium	15	119-4040	8	Nut-Flange, NI
4:2	137-4666-06	1	Cover-Battery	16	3230-16	8	Screw-CARR
4:3	139-7651	1	Foam-Battery, Saddlebag	17	104-8300	11	Nut-HF, NI
5	139-8343	2	Battery Service ASM	18	139-7672	1	Mount-Battery ASM
5:2	137-9712	1	Decal-Safety	18:1	139-7670-06	1	Mount-Battery, LH
6	32144-14	4	Screw-HWHTF	18:2	107069	2	Clip
7	139-7671	1	Mount-Battery ASM	18:3	139-7651	1	Foam-Battery, Saddlebag
7:1	139-7669-06	1	Mount-Battery, RH	18:4	139-7652	4	Foam-Battery, Saddlebag
7:2	107069	2	Clip	18:5	139-7653	2	Foam-Battery, Saddlebag
7:3	139-7651	1	Foam-Battery, Saddlebag	19	3230-3	2	Screw-CARR
7:4	139-7652	4	Foam-Battery, Saddlebag	20	139-0538-06	2	Plate, Terminal
7:5	139-7653	2	Foam-Battery, Saddlebag	21	139-7687	1	Cover-Battery ASM
8	139-7723	1	Cover ASM, Rear	21:1	139-7659	1	Decal - Lithium
8:2	139-7721	1	Decal-Charger, Warning	21:2	137-4666-06	1	Cover-Battery
8:3	139-7738	1	Decal-Charging Port	21:3	139-7651	1	Foam-Battery, Saddlebag
9	3234-29	1	Screw-HHF	22	139-7724-03	1	Cover, Charger Port
10	139-0547-03	1	Bracket-Mount, Converter	23	19-1470	2	Screw-Shoulder

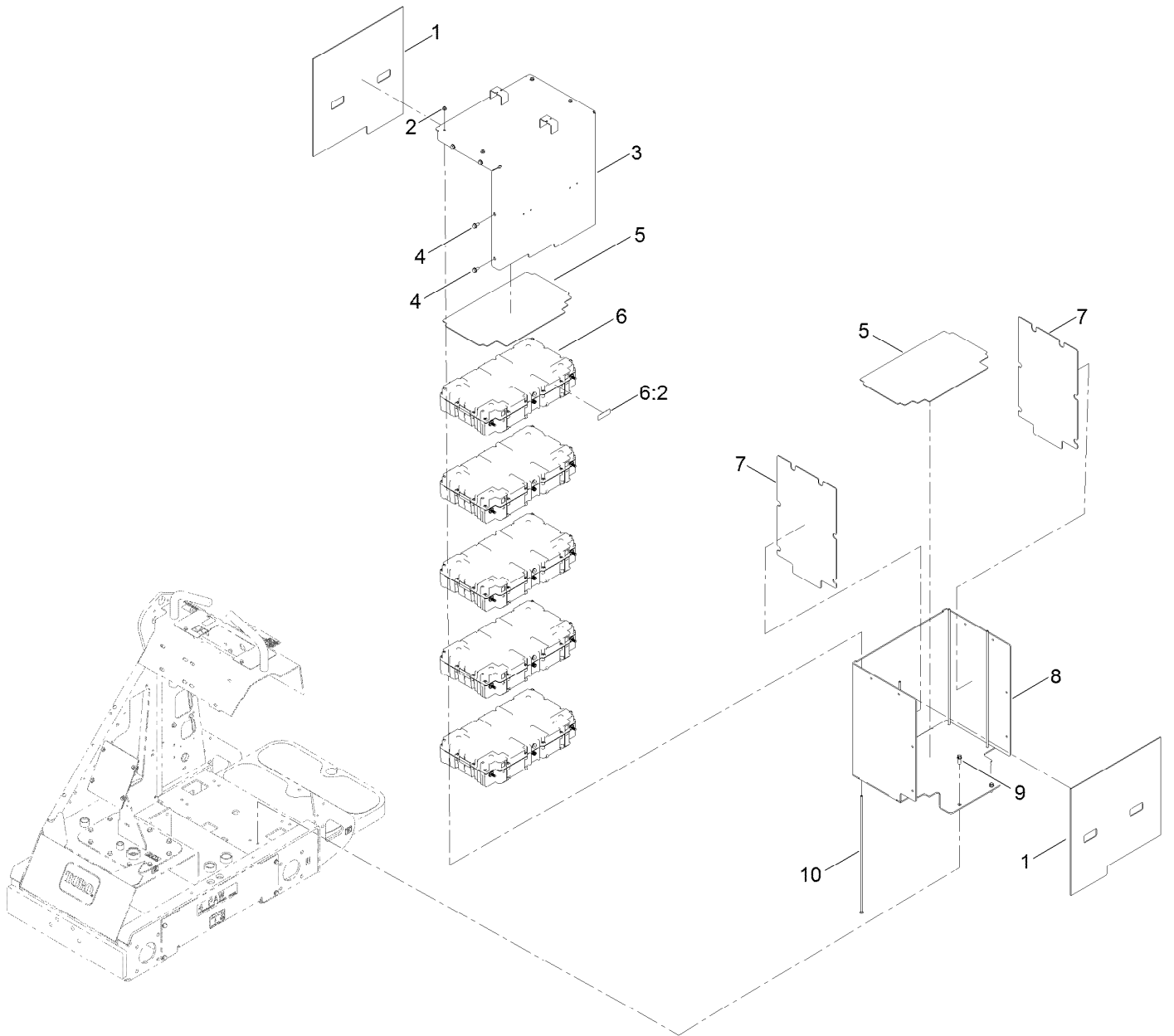
Controller Mount Assembly



Controller Mount Assembly (continued)

<i>Ref.</i>	<i>Part Number</i>	<i>Qty.</i>	<i>Description</i>	<i>Ref.</i>	<i>Part Number</i>	<i>Qty.</i>	<i>Description</i>
1	139-7667-0P	1	Mount-Controller	11	139-0527-0P	1	Mount-Bms
2	138-8963	1	Inverter/Controller-48V,175Arms	12	139-0523-0P	1	Adapter, Mega Fuse
3	120-4654	4	Screw-HHF	13	137-4795	2	Screw
4	104-7201	4	Nut-HF	14	104-8300	4	Nut-HF, NI
5	3234-4	4	Screw-HHF	15	114-4681	1	Screw-HHF
6	139-7673	2	Foam-Battery, Bms	16	139-0525-0P	1	Bracket-Mount, Frame (LH)
7	137-9651	1	Controller	17	3234-29	4	Screw-HHF
8	104-8301	3	Nut-HF, NI	18	139-7718	1	Decal-Quick Disconnect
9	3234-42	2	Screw-HHF	19	119-4040	4	Nut-Flange, NI
10	139-0524-0P	1	Bracket-Mount, Frame (RH)				

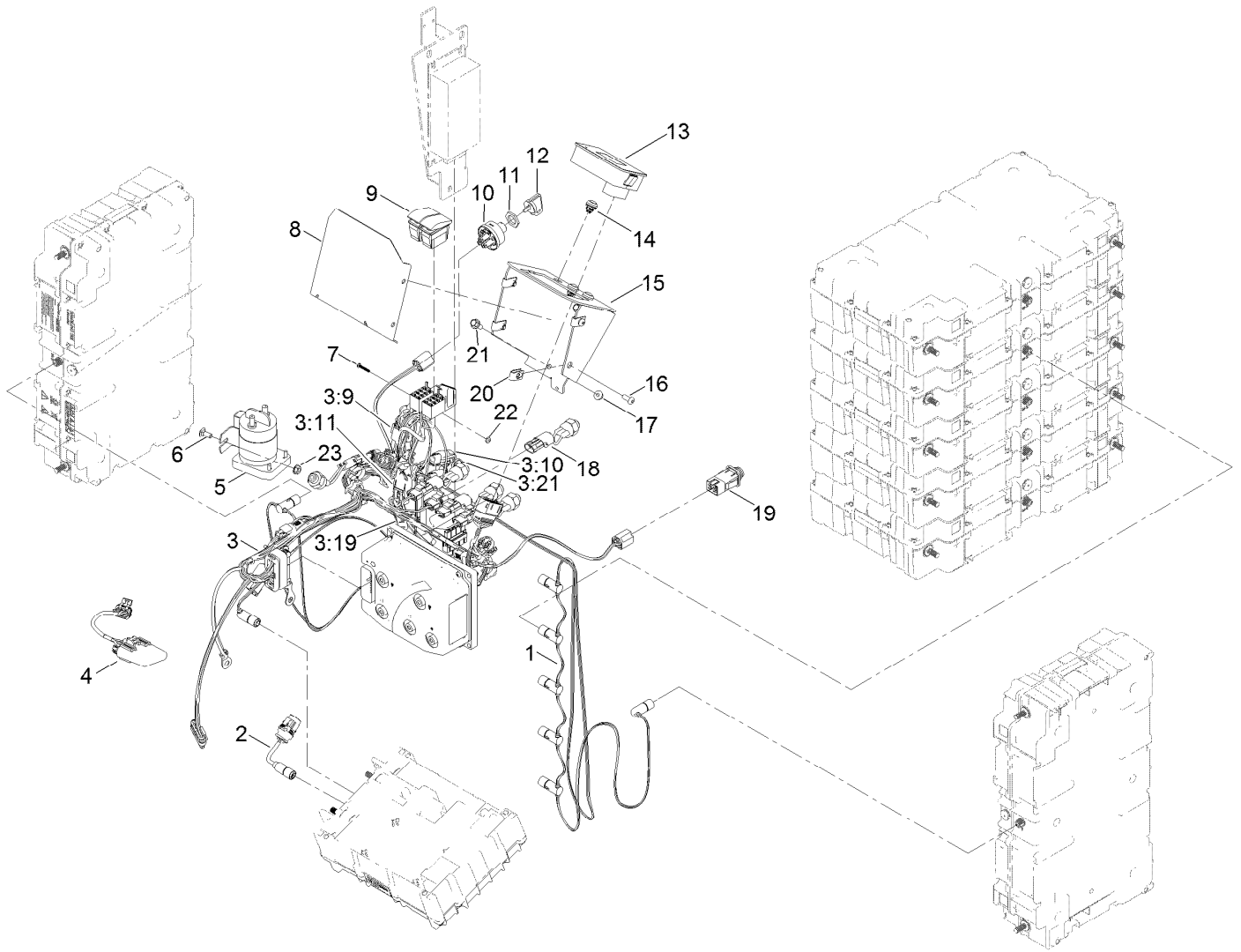
Main Battery and Enclosure Assembly



Main Battery and Enclosure Assembly (continued)

<i>Ref.</i>	<i>Part Number</i>	<i>Qty.</i>	<i>Description</i>	<i>Ref.</i>	<i>Part Number</i>	<i>Qty.</i>	<i>Description</i>
1	139-7654	2	Foam-Battery, Main	6:2	137-9712	1	Decal-Safety
2	119-4040	4	Nut-Flange, NI	7	139-7655	2	Foam-Battery, Main
3	139-7683-03	1	Cover Battery	8	139-0526-03	1	Enclosure-Battery
4	32144-14	8	Screw-HWHTF	9	95-1726	4	Screw-Taptite
5	139-7656	2	Foam-Battery, Main	10	139-7668	4	Screw-CARR
6	139-8343	5	Battery Service ASM				

Electrical Harness Assembly

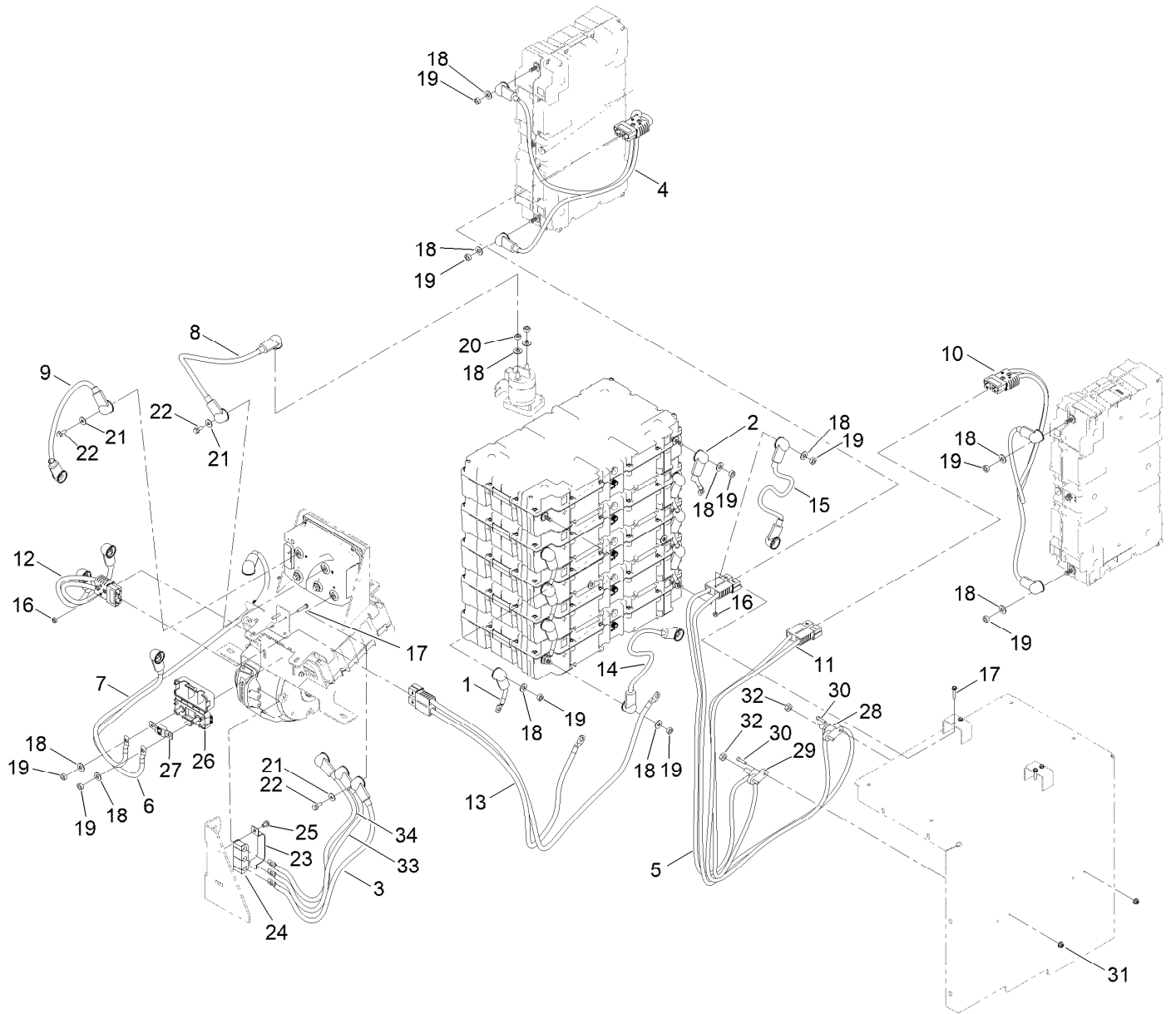


Electrical Harness Assembly (continued)

<i>Ref.</i>	<i>Part Number</i>	<i>Qty.</i>	<i>Description</i>	<i>Ref.</i>	<i>Part Number</i>	<i>Qty.</i>	<i>Description</i>
1	139-0512	1	Harness-Wire, Samsung Interface M/S	9	127-5999	2	Switch-Rocker, Off-None-On
2	122-1335	1	Harness-Wire, Interface(System)	10	139-7716	1	Switch-Key, Spst
3	139-0493	1	Harness-Wire, Main	11	101884	1	Nut
3:9	32180-282	4	Resistor-120 Ohm	12	63-8360	2	Key-Ignition
3:10	32180-089	2	Cap-Plug, 3 Way	13	122-1201	1	Module-Display
3:11	32180-019	1	Cover-Fuse, Single	14	136-9678	3	Switch-Pushbutton
3:12	117-4725	1	Fuse-Blade, 15A ●	15	139-0545-03	1	Mount-Display
3:19	116-0053	2	Cap-Plug	16	3274-31	4	Screw-HSBH
3:21	32180-139	1	Mount-Tie Wrap, Magnetic	17	104-7201	2	Nut-HF
4	119-4330	1	Isolated Can Module ASM	18	72-4320	5	Switch-Ball
5	104-7136	1	Contactora-Trombetta	19	100-1268	1	Switch-Plunger
6	3229-11	2	Screw-CARR	20	107069	4	Clip
7	363-6528	2	Screw	21	99-6810	2	Screw-HHF
8	139-0546-03	1	Cover-Display	22	3296-9	2	Nut-Hex
				23	32128-33	2	Nut-HF

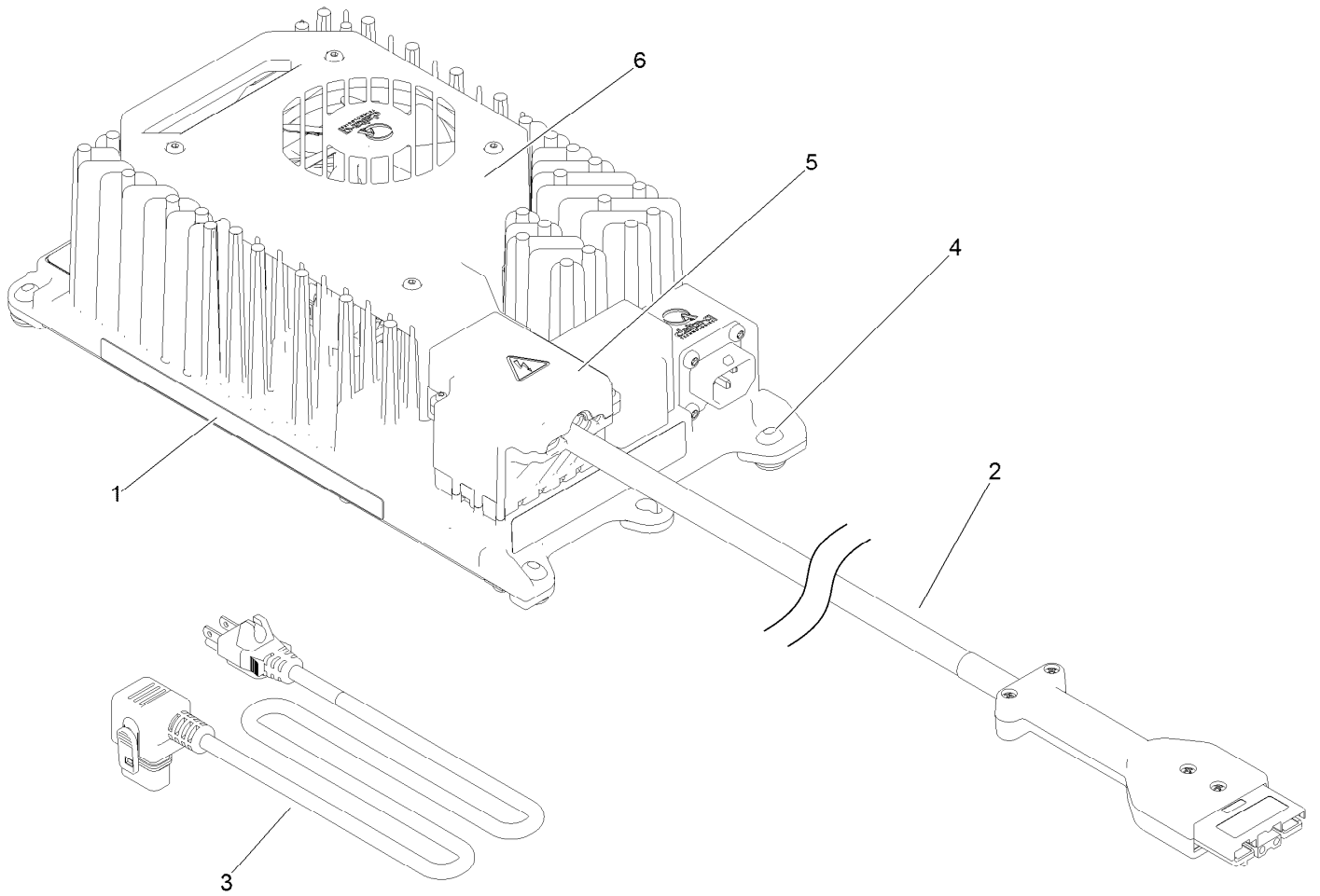
● Not illustrated

Battery Cable Assembly



Battery Cable Assembly (continued)

<i>Ref.</i>	<i>Part Number</i>	<i>Qty.</i>	<i>Description</i>	<i>Ref.</i>	<i>Part Number</i>	<i>Qty.</i>	<i>Description</i>
1	122-1513	4	Cable-Battery,Positive ASM	18	107-0279	22	Washer
2	122-1514	4	Cable-Battery,Negative ASM	19	137-8088	20	Nut-Hex
3	139-0502	1	Cable-Battery, Rd ASM	20	09207	2	Nut
4	139-0503	1	Cable-Battery, Rd/Bk ASM	21	135-6273	5	Washer
5	139-0504	1	Cable-Battery, Rd/Bk ASM	22	114-8414	5	Screw-HHF
6	139-7732	1	Cable-Battery, Rd ASM	23	139-7678-01	1	Retainer-Isolator
7	139-7733	1	Cable-Battery, Rd ASM	24	131-8420	1	Isolator-Clamp
8	139-7734	1	Cable-Battery, Rd ASM	25	137-4795	1	Screw
9	139-7735	1	Cable-Battery, Bk ASM	26	114-3318	1	Holder-Fuse, Mega
10	139-0510	1	Cable-Battery, Rd/Bk ASM	27	139-7719	1	Fuse-200 Amp
11	139-0511	1	Cable-Battery, Rd/Bk ASM	28	110-8823	1	Block-Junction
12	139-7736	1	Cable-Battery, Rd/Bk ASM	29	110-8822	1	Block-Junction
13	139-7737	1	Cable-Battery, Rd/Bk ASM	30	3274-14	4	Screw-HSH
14	139-0540	1	Cable-Battery, Rd ASM	31	138-0719	4	Nut-HF
15	139-0541	1	Cable-Battery, Bk ASM	32	3217-7	2	Nut-Hex
16	3296-2	6	Nut-Lock, NI	33	139-7728	1	Cable-Battery, Rd ASM
17	131-6456	6	Screw-HWH	34	139-7729	1	Cable-Battery, Rd ASM



1200 Watt Lithium Battery Charger Assembly

Ref.	Part Number	Qty.	Description
1	137-9713	1	Decal-Charger
2	137-9715	1	Cord-DC W/Can Bus
3	107-0382	1	Powercord-AC, Europe ●■
3	107-0383	1	Powercord-AC, U.K. ●■
3	137-7983	1	Cord-AC, 120V
4	137-7984	1	Handle And Feet Kit
5	137-7985	1	Cover-Plastic, DC Power
6	139-8423	1	Fan-Service

● Not illustrated

■ Optional Equipment

Attachments and Accessories

For 22218 e-Dingo 500 Compact Tool Carrier

Product Name	Model/Part
Adjustable Forks	22341
Grapple Rake	22521
Tree Forks	22438
Leveler	23165
Loose Materials Bucket	22410
Narrow Bucket	22520
4 Cubic Foot Standard Bucket	22409
Universal Swivel Auger Head	22806
48in Hydraulic Blade	22414
Concrete Breaker	23135

Notes:

Notes:



Count on it.