



Count on it.

Parts Catalog

**LT3340 Heavy-Duty Triple Turf
Mower**

Traction Unit

Model No. 30657—Serial No. 405598031 and Up



Ordering Replacement Parts

To order replacement parts, please supply the part number, the quantity, and the description of each part desired.

Understanding Reference Numbers

Each identified part in an illustration has a reference number. The reference number for a part also appears in the parts list, along with other information about the part.

This catalog uses two special reference number formats, one to indicate parts in a service assembly and another to indicate the quantity of a given part in an illustration.

Service Assembly Reference Numbers

Parts in service assemblies have reference numbers in the form a:b. The a represents the reference number of the entire service assembly and the b represents a sequential number unique to each part within the service assembly.

For example, a wheel assembly might be identified by reference number 6, the tire by 6:1, the valve by 6:2, and the wheel by 6:3. When you order the assembly identified by reference number 6, you receive all parts identified by reference numbers 6:1, 6:2, and 6:3. However, you may also order any part individually. Reference numbers of this type appear in illustration and in parts lists.

Reference Numbers Indicating Quantity

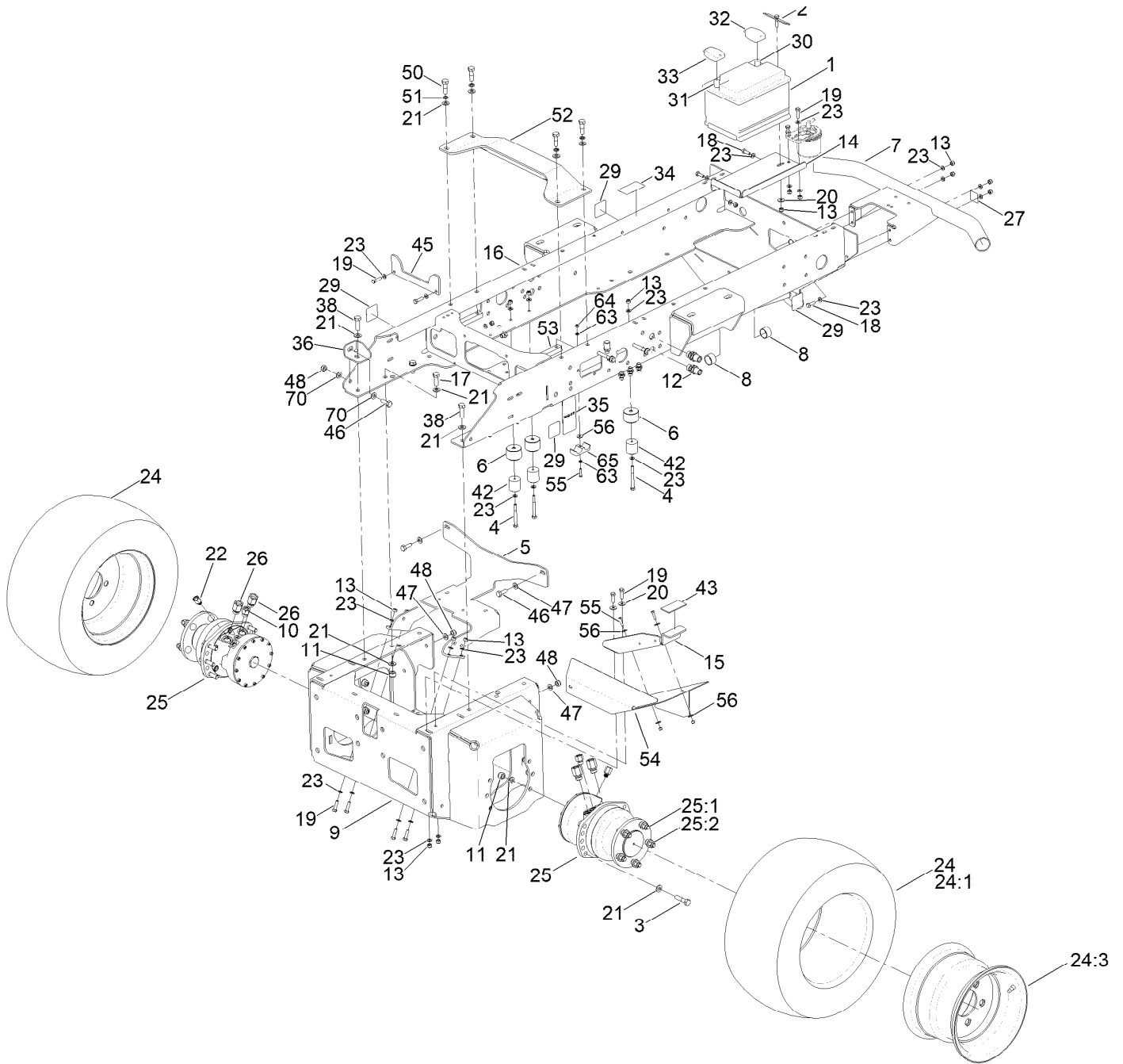
In an illustration, if a reference number indicates more than one part, the reference number has the form nX y. The n represents the quantity of the part, the X is the multiplication symbol, and the y represents the reference number.

For example, in an illustration, the reference number 2X 37 means that two of the parts identified by reference number 37 are indicated.

Contents

Main Frame, Chassis, Front Wheel and Battery Assembly	4
Engine Mounting Assembly	6
Radiator and Shroud Assembly	8
Rear Axle Assembly	10
Steering Column, Seat and Platform Assembly	12
Steering Column Assembly No. 111-6756	14
Pedal Control Assembly	16
Fuel Tank and Storage Pod Assembly	18
Hood Assembly	20
Front Lift Arm Assembly	22
Center Arm Assembly	24
Roll-Over Protection System Assembly	26
Hydraulic Oil Tank Assembly	28
Lift Manifold Assembly	30
Transmission and Tandem Pump Assembly	32
Hydraulic Pump Assembly No. 111-6774	34
Rear Transmission Block Assembly	36
Control Panel Assembly	38
Filter Assembly	40
Cutter Component Assembly	42
Loom Kit	44
Electrical Assembly	46
Transmission Manifold Assembly	48
Center Flap Assembly	50
Cutter Control Manifold Assembly	52
Crankcase Assembly	54
Oil Pan and Oil Pump Assembly	55
Cylinder Head Assembly	56
Gear Case and Oil Filter Cartridge Assembly	57
Cylinder Head Cover Assembly	58
Dipstick and Guide Assembly	59
Main Bearing Case Assembly	60
Camshaft and Idle Gear Shaft Assembly	61
Piston and Crankshaft Assembly	62
Flywheel Assembly	63
Fuel Camshaft and Governor Shaft Assembly	64
Idle Apparatus and Stop Solenoid Assembly	65
Injection Pump and Fuel Pump Assembly	66
Speed Control Plate Assembly	67
Nozzle Holder and Glow Plug Assembly	68
Nozzle Holder Assembly	69
Governor Assembly	70
Fuel Filter Assembly	71
Alternator and Pulley Assembly	72
Alternator Components Assembly	73
Starter Assembly	74
Starter (Component Part) Assembly	75
Water Flange and Thermostat Assembly	76
Water Pump Assembly	77
Valve and Rocker Arm Assembly	78
Intake and Exhaust Manifold Assembly	79
Miscellaneous Engine Parts	80
Attachments and Accessories	81

Main Frame, Chassis, Front Wheel and Battery Assembly

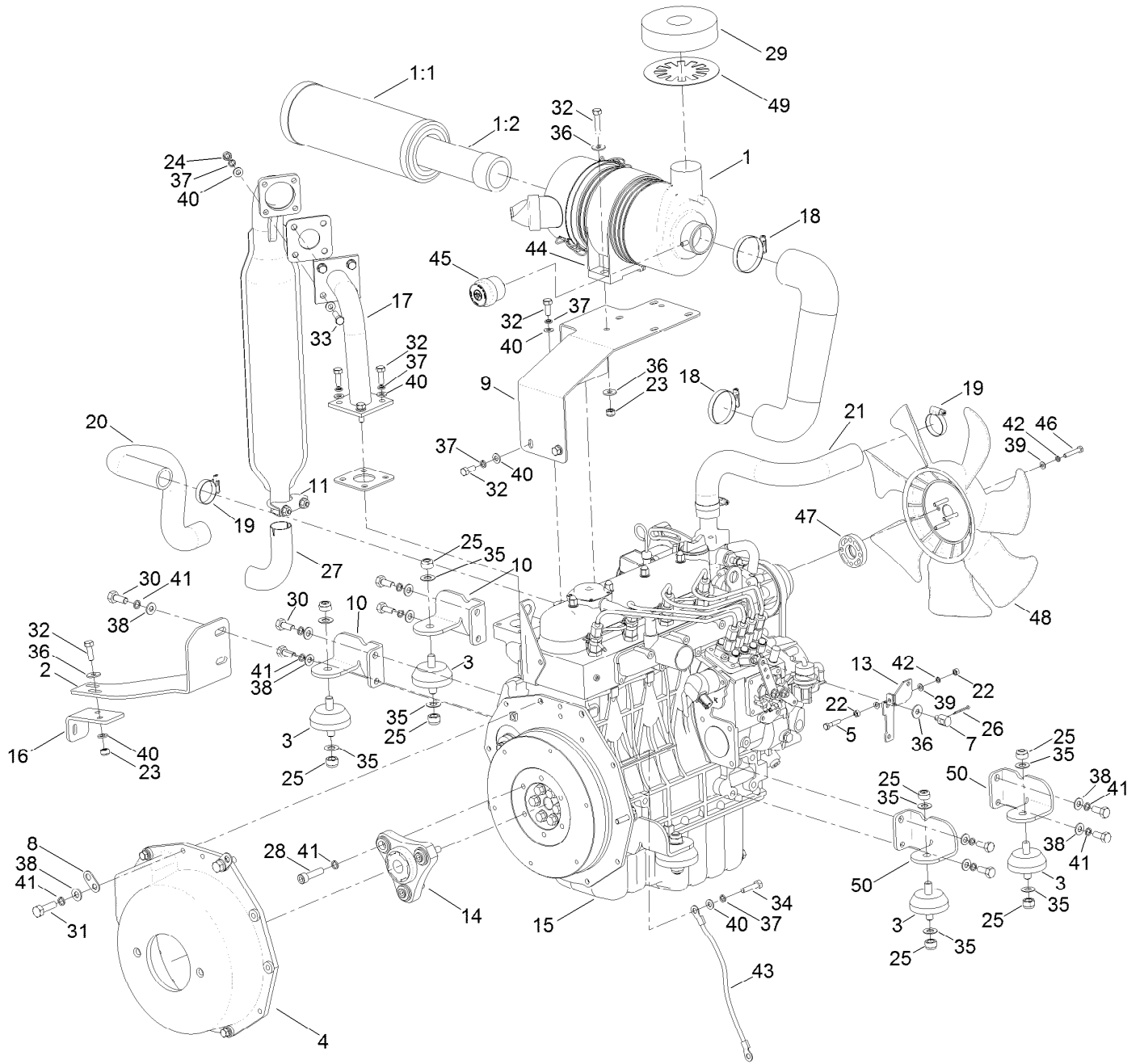


Main Frame, Chassis, Front Wheel and Battery Assembly (continued)

<i>Ref.</i>	<i>Part Number</i>	<i>Qty.</i>	<i>Description</i>	<i>Ref.</i>	<i>Part Number</i>	<i>Qty.</i>	<i>Description</i>
1	70-09-015	1	Battery	25:99	134-3982	1	Kit-Seal ●
2	70-01-340	1	Retainer-Battery	26	111-3529	4	Adaptor
3	09552	12	Screw-HH	27	70-13-072	1	Decal
4	ZBH1H080U	4	Bolt	29	950832	4	Decal
5	111-6791-03	1	Bracket-Manifold, Cutter	30	70-09-171	1	Terminal-Positive
6	111-5305	4	Bump-Stop	31	70-09-172	1	Terminal-Negative
7	111-3110-03	1	Bumper-Rear	32	111-3690	1	Cable-Battery, Positive
8	65-07-051	2	Bushing	33	70-09-170	1	Cable-Battery, Negative
9	111-2105-03	1	Chassis-Front	34	950889	1	Decal-Warning
10	111-3509	2	Adaptor	35	111-3901	1	Decal-Transmission, Oil
11	ZNN1L000U	18	Nut-Nyloc	36	111-7092-03	2	Bracket-Chassis, Universal
12	09-06-216	2	Adaptor-Bulkhead	38	ZDH1L040U	2	Screw-HH
13	09441	21	Nut-Hex, NI	42	61-07-003	4	Buffer-Rubber
14	111-2599-03	1	Plate-Mount, Battery	43	HY910808	1	Strip-Neoprene
15	111-3217-03	1	Support-Platform, Front (LH)	45	111-5538-03	1	Location-Plate
16	111-7788-03	1	Chassis-Rear W/A	46	09392	4	Screw-HH
17	ZDH1L035U	4	Screw-HH	47	09479	4	Washer-Plain
18	03162	6	Screw-HH	48	ZNN1J000U	4	Nut-Hex, NI
19	09369	10	Screw-HH	50	63-11-010	4	Bolt-HH
20	09267	3	Washer-Plain	51	09599	4	Washer-Lock
21	HY09485	40	Washer-Plain	52	111-7065-03	1	Brace
22	111-3538	2	Adaptor	53	111-7094	2	Brace-Chassis
23	ZWP1H000U	36	Washer-Plain	54	111-7252-03	1	Deflector-Grass, Cutter (LH)
24	111-6878	2	Wheel ASM	55	09364	3	Screw-HH
24:1	111-6879	1	Rim-Wheel	56	09262	5	Washer
24:2	74-07-012	1	Tube-Inner ●	57	09544	2	Nut-Nyloc ●
24:3	74-07-027	1	Tire	63	09472	2	Washer-Plain
25	134-3969	2	Motor-Wheel, Front	64	09438	1	Nut-Nyloc
25:1	111-7059	5	Stud-Wheel	65	56-7974	1	Clamp-Tube
25:2	74-07-016	5	Nut	70	ZWQ1J000U	4	Washer-Plain

● Not illustrated

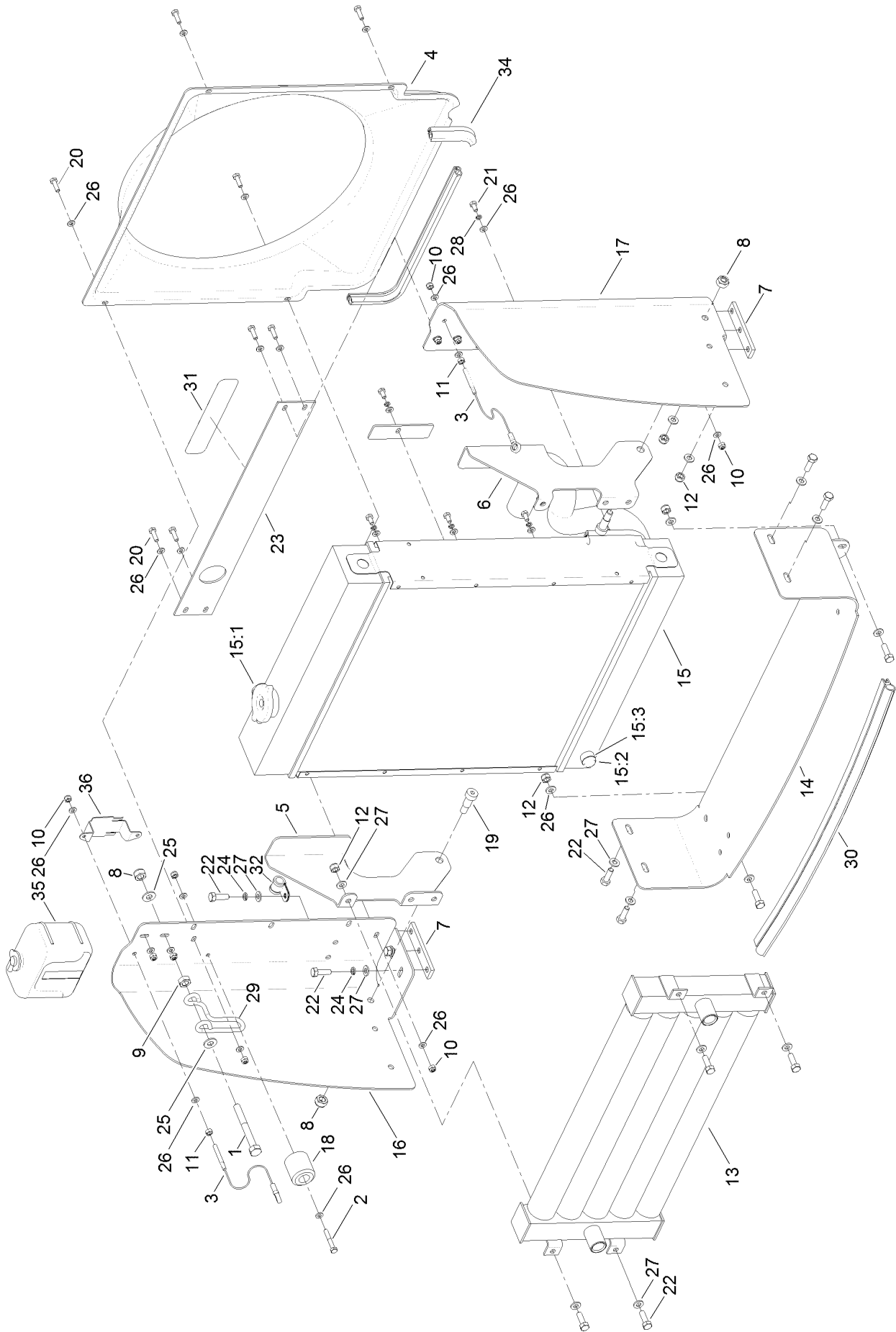
Engine Mounting Assembly



Engine Mounting Assembly (continued)

<i>Ref.</i>	<i>Part Number</i>	<i>Qty.</i>	<i>Description</i>	<i>Ref.</i>	<i>Part Number</i>	<i>Qty.</i>	<i>Description</i>
1	111-3805	1	Air Filter ASM	26	70-11-005	1	Pin-Split
1:1	111-3808	1	Filter-Element, Main	27	940213	1	Tail Pipe-Exhaust
1:2	111-3809	1	Filter-Element, Safety	28	111-3806	3	Screw-HSH
2	111-9824-03	1	Bracket-Exhaust, Lower	29	111-3555	1	Seal-Air Intake
3	910816	4	Isomount-Engine	30	50-11-005	10	Screw-HH
4	922851	1	Housing-Bell	31	111-0597	2	Screw-HH
5	09547	1	Screw-HH	32	03162	12	Screw-HH
7	111-3298	1	Pivot-Throttle, Boss	33	09369	4	Screw-HH
8	74-01-327	2	Bracket-Loom, Tie	34	ZDH1H035U	8	Screw-HH
9	111-2588-03	1	Bracket-Air Cleaner	35	09283	8	Washer
10	111-3043-03	2	Bracket-Mount, Engine	36	09267	7	Washer-Plain
11	111-9717	1	Clamp-Exhaust	37	03469	19	Washer-Spring
13	111-3299-03	1	Bracket-Throttle	38	ZWQ1J000U	12	Washer-Plain
14	111-2556	1	Coupling	39	ZWP1F000U	6	Washer-Plain
15	111-1290	1	Engine-Kubota	40	ZWP1H000U	26	Washer-Plain
16	111-9825-03	1	Bracket-Exhaust, Lower	41	09480	15	Washer-Lock
17	111-4012	1	Flange-Exhaust	42	09474	5	Washer-Spring
18	910936	2	Clip-Jubilee	43	70-09-023	1	Cable-Earth
19	924438	4	Clamp-Hose	44	111-3807	1	Bracket-Mounting, Air Filter
20	111-2567	1	Hose-Radiator, Bottom	45	953870	1	Indicator-Filter Blockage
21	910921	1	Hose-Top	46	09645	4	Setscrew-HH
22	09437	2	Nut	47	104-4247	1	Spacer-Fan
23	09441	4	Nut-Hex, NI	48	110-0966	1	Fan-Cooling
24	ZNH1H000U	4	Nut-Hex	49	111-6937-03	1	Washer-Pad, Intake Air
25	09231	8	Nut-Hex	50	111-7141-03	2	Bracket-Mount, Engine

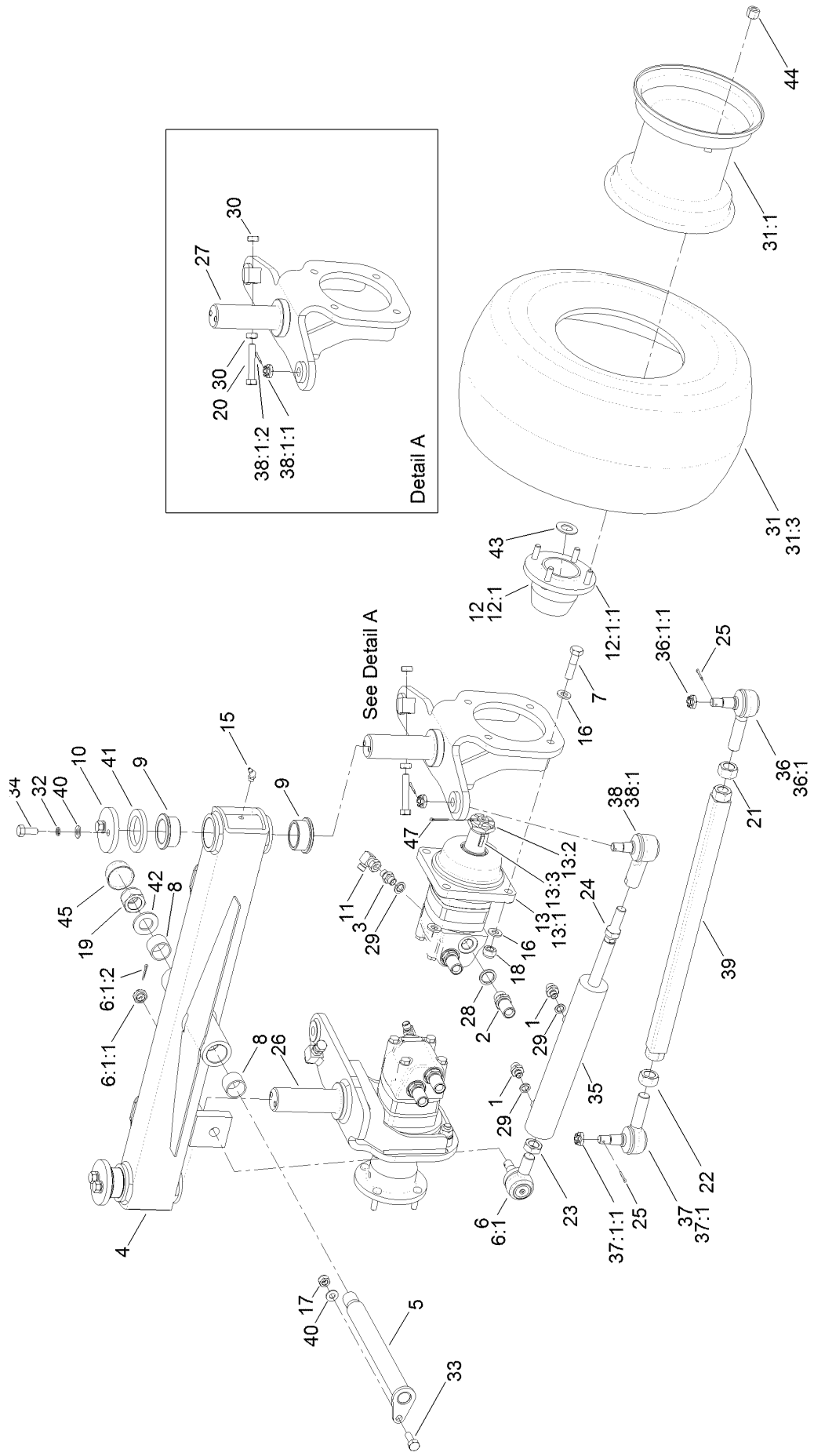
Radiator and Shroud Assembly



Radiator and Shroud Assembly (continued)

<i>Ref.</i>	<i>Part Number</i>	<i>Qty.</i>	<i>Description</i>	<i>Ref.</i>	<i>Part Number</i>	<i>Qty.</i>	<i>Description</i>
1	ZBH1J090U	1	Screw-HH	17	111-3007-03	1	Bracket-Radiator, RH
2	ZBH1F040U	2	Screw-HH	18	61-07-003	2	Buffer-Rubber
3	924825	2	Cable-Stay, Cover	19	ZIS1J020S	2	Bolt-Shoulder, Socket Head
4	111-3301	1	Cowl-Fan	20	09363	8	Screw-HH
5	111-3010-03	1	Hinge-Oil Cooler, LH	21	09361	6	Screw-HH
6	111-3011-03	1	Hinge-Oil Cooler, RH	22	03162	16	Screw-HH
7	111-3281	2	Bar-Nut	23	111-3008-03	1	Seal-Top
8	ZNN1J000U	3	Nut-Hex, NI	24	03469	6	Washer-Spring
9	09449	1	Nut	25	ZWQ1J000U	2	Washer-Plain
10	09438	12	Nut-Nyloc	26	09472	30	Washer-Plain
11	09437	2	Nut	27	ZWP1H000U	24	Washer-Plain
12	09441	10	Nut-Hex, NI	28	09474	6	Washer-Spring
13	70-06-171	1	Cooler-Oil	29	104-5429	1	Clamp-Form, Wire
14	111-3009-03	1	Plate-Seal, Lower	30	994808	3	Excluder-Draught
15	111-5193	1	Radiator ASM	31	111-3902	1	Decal-Engine, Fan/Radiator
15:1	111-0698	1	Cap-Radiator	32	111-6082	1	Clamp-Cable
15:2	30-06-200	1	Plug-HYD	34	111-7053	1	Seal-Bubble, Side
15:3	200134	1	Washer	35	111-7452	1	Tank-Reserve, Coolant
16	111-3006-03	1	Bracket-Radiator, LH	36	108-9930-03	1	Bracket-Bottle

Rear Axle Assembly



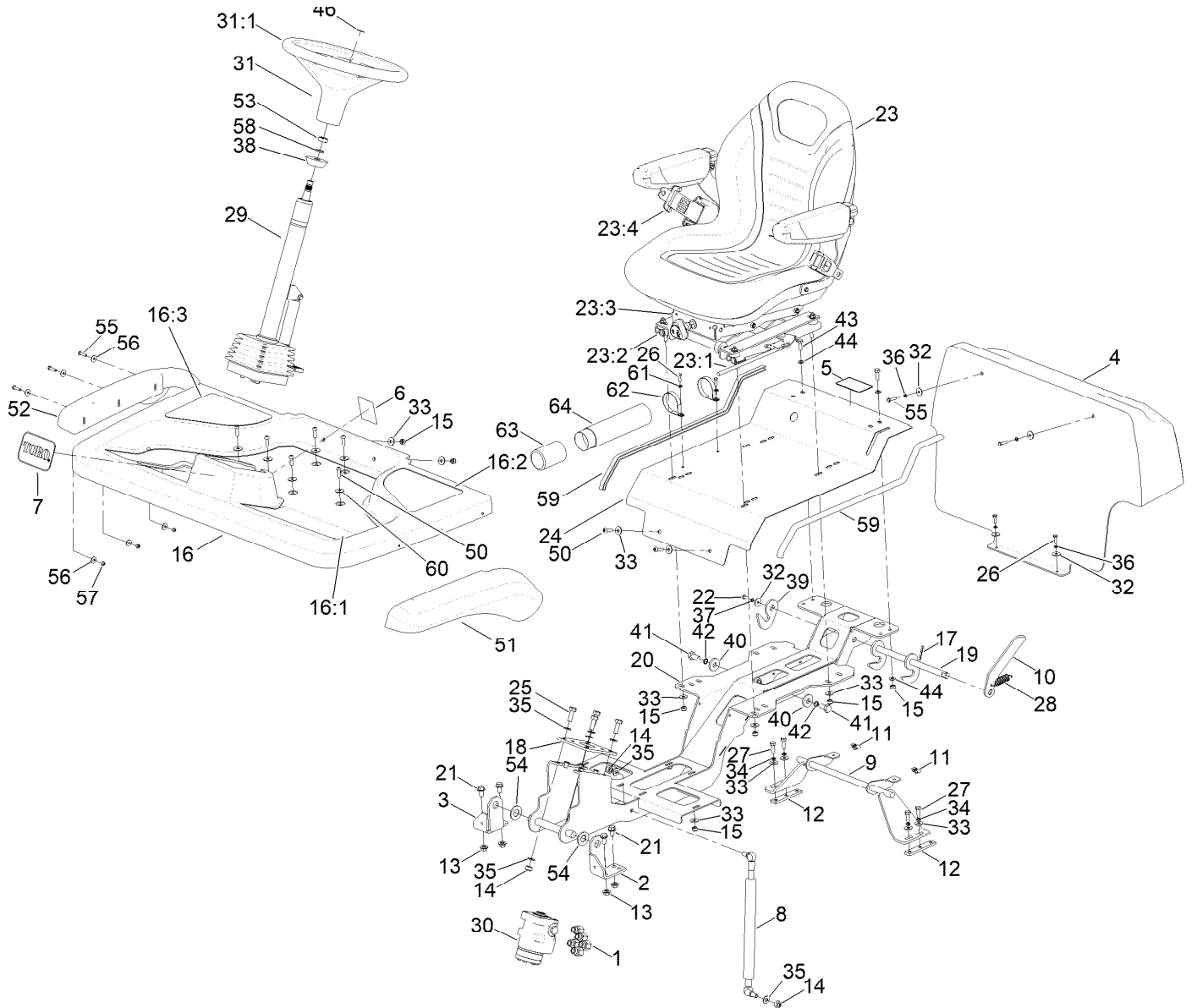
Rear Axle Assembly (continued)

<i>Ref.</i>	<i>Part Number</i>	<i>Qty.</i>	<i>Description</i>	<i>Ref.</i>	<i>Part Number</i>	<i>Qty.</i>	<i>Description</i>
1	50-06-009	2	Adaptor-BSP	28	10-06-032	4	Seal-Dowty
2	09-06-216	4	Adaptor-Bulkhead	29	10-06-030	4	Seal-Dowty
3	10-06-085	2	Adaptor	30	09449	4	Nut
4	111-4995-03	1	Axle-Rear	31	111-6876	2	Wheel ASM
5	111-3265	1	Pin-Axle	31:1	111-6877	1	Rim-Wheel
6	111-6578-03	1	Joint-Ball	31:2	72-07-068	1	Tube-Inner ●
6:1		1	Ball Joint ● ■	31:3	924803	1	Tire
6:1:1	111-5116	1	Nut-Castle	32	09480	4	Washer-Lock
6:1:2	09306	1	Pin-Split	33	09392	1	Screw-HH
7	09552	8	Screw-HH	34	09395	4	Screw-HH
8	70-05-031	2	Bushing	35	111-9940	1	Steering Cylinder ASM
9	111-3681	4	Bushing-Flanged, Oilite	35:99	111-9939	1	Seal Kit ●
10	70-01-197	2	Cap-Washer	36	71-4740-03	1	RH Tie Rod End ASM
11	31-06-004	2	Elbow-Compact	36:1		1	End-Rod, Tie (RH) ■
12	111-5176-03	2	Wheel Hub ASM	36:1:1	105-7941	1	Nut-Hex, Slotted
12:1		1	Hub-Wheel ■	36:1:2	105-7835	1	Seal ●
12:1:1	65-07-019	4	Stud-Wheel ●	36:1:3	302-5	1	Fitting-Grease ●
13	111-9745	2	HYD Motor ASM	37	2411-46-03	1	LH Tie Rod ASM
13:1	111-9864	1	Seal Kit	37:1		1	End-Rod, Tie (LH) ■
13:2	70-06-081	1	Castle-Nut	37:1:1	302-5	1	Fitting-Grease
13:3	70-06-089	1	Key	37:1:2	105-7835	1	Seal ●
15	63-07-027	3	Zerk-Grease, BSP (90 DEG)	37:1:3	105-7941	1	Nut-Hex, Slotted ●
16	HY09485	16	Washer-Plain	38	111-5087-03	1	Joint-Ball
17	ZNN1J000U	1	Nut-Hex, NI	38:1		1	Joint-Ball ● ■
18	09650	8	Nut-Hex, Nyloc	38:1:1	111-5116	1	Nut-Castle ●
19	ZNN1X000U	1	Nut-Hex, Nyloc	38:1:2	09306	1	Pin-Split ●
20	ZDH1J060U	2	Setscrew-HH	39	111-7924-03	1	Rod-Tie
21	84-5300	1	Nut-Jam	40	ZWQ1J000U	5	Washer-Plain
22	110-5337	1	Nut-Jam	41	70-07-149	2	Washer-Felt
23	09828	1	Nut	42	09555	1	Washer
24	09827	1	Nut - Jam	43	ZWP1T000U	2	Washer-Plain
25	70-11-005	2	Pin-Split	44	65-07-009	8	Nut-Wheel, Dome
26	111-4982-03	1	RH Rear Yoke ASM	45	10-11-100	1	Cap-Nut
27	111-4983-03	1	LH Rear Yoke ASM	47	70-11-004	2	Pin-Split

● Not illustrated

■ Not serviced separately

Steering Column, Seat and Platform Assembly

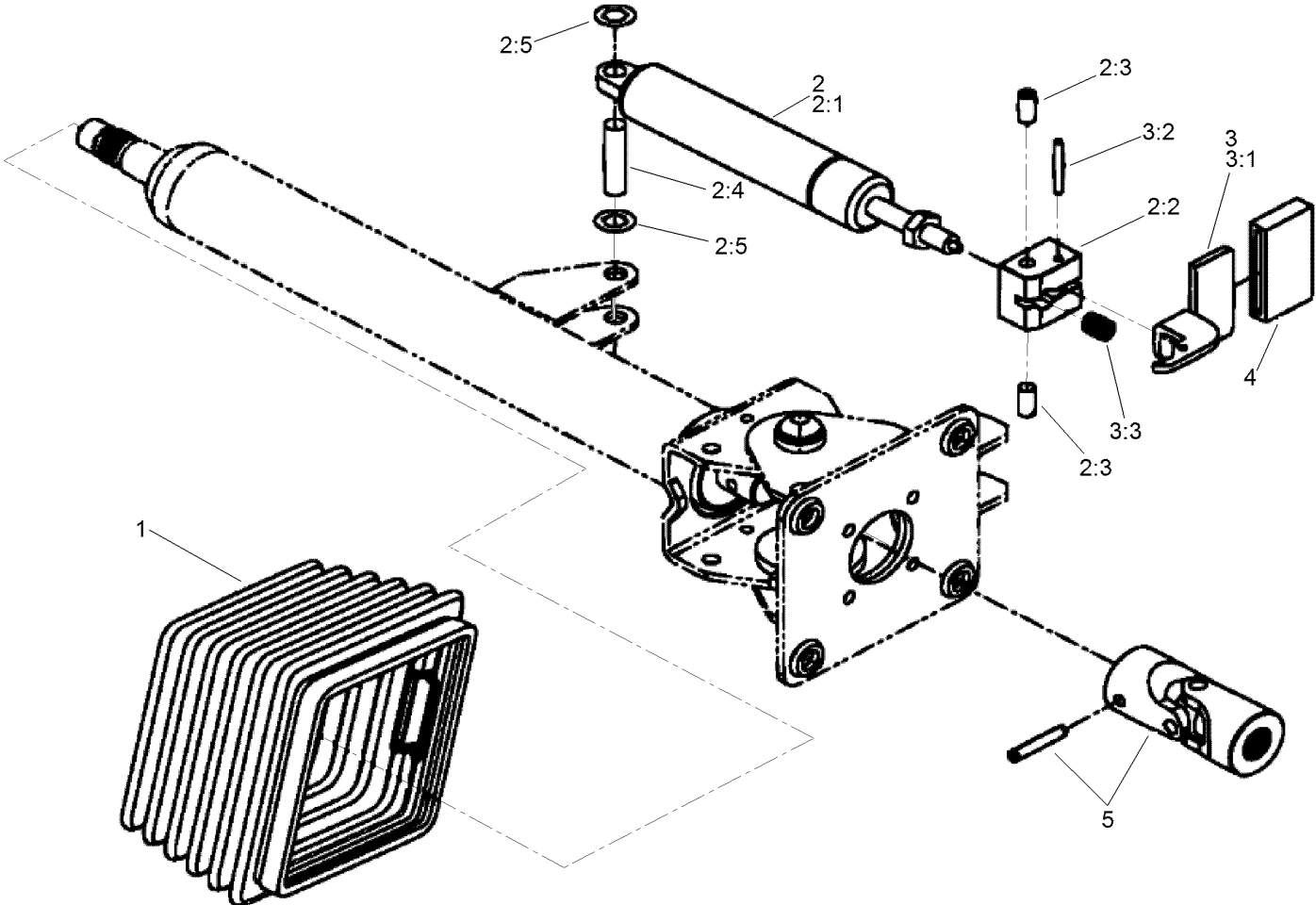


Steering Column, Seat and Platform Assembly (continued)

<i>Ref.</i>	<i>Part Number</i>	<i>Qty.</i>	<i>Description</i>	<i>Ref.</i>	<i>Part Number</i>	<i>Qty.</i>	<i>Description</i>
1	111-3509	5	Adaptor	29	111-6756	1	Steering Column ASM
2	111-3243-03	1	Bracket-Platform Pivot, LH	30	111-7464	1	Valve-Control, Steering
3	111-2665-03	1	Bracket-Platform Pivot, RH	30:99	130-8358	1	Seal Kit ●
4	111-3293	1	Bulkhead	30:99	94-4095	1	Centering Spring Kit ●
5	111-3566	1	Decal-Latch, Platform	31	98-1471	1	Wheel-Steering
6	111-3562	1	Decal	31:1	98-1468	1	Cover-Wheel, Steering
7	67-1300	1	Decal	32	09263	5	Washer
8	111-9857	1	Gas Strut	33	09267	20	Washer-Plain
9	111-3140-03	1	Bar-Latch	34	03469	4	Washer-Spring
10	111-3269-03	1	Lever-Latch, Platform	35	ZWQ1J000U	10	Washer-Plain
11	410076	2	Nut	36	09474	4	Washer-Spring
12	111-3281	2	Bar-Nut	37	09474	1	Washer-Spring
13	63-11-015	4	Nut-Hex	38	93-5429	1	Collar-Foam
14	ZNN1J000U	6	Nut-Hex, NI	39	111-3268	1	Latch-Plate, Platform
15	09441	16	Nut-Hex, NI	40	63-01-115	2	Washer
16	111-9744	1	Operator Platform ASM	41	09571	2	Screw-HH
16:1	111-3506	1	Mat-Floor	42	09599	2	Washer-Lock
16:2	111-3507	1	Mat-Side, LH	43	03162	2	Screw-HH
16:3	111-3508	1	Mat-Side, RH	44	ZWP1H000U	4	Washer-Plain
17	70-11-004	1	Pin-Split	46	98-1459	1	Decal
18	111-2899-03	1	Plate-Mount, Pump (Steering)	50	ZHS1H025U	8	Screw-HSBH
19	111-3266	1	Latch-Platform	51	111-4921	1	Mudguard-LH
20	111-9565-03	1	Support-Platform	52	111-4922	1	Mudguard-RH
21	63-11-018	4	Screw-Durloc	53	09827	1	Nut - Jam
22	09362	1	Screw-HH	54	09499	2	Washer
23	134-0260	1	Seat ASM (Incl. Seat Belt)	55	09364	8	Screw-HH
23:1	111-4936	1	Retractable Seat Belt ASM	56	09262	12	Washer
23:2	111-5543	1	Cushion-Seat	57	09438	8	Nut-Nyloc
23:3	111-5544	1	Cushion-Backrest	58	HY4200	1	Washer-Spring
23:4	953820	1	Seat Gaiter	59	50-08-001	2	Edging-Rubber
23:99	111-5542	1	Seat Switch Kit ●	60	09270	6	Washer-Plain
24	111-3069-03	1	Pan-Seat	61	09472	4	Washer-Plain
25	09392	4	Screw-HH	62	107-1865	2	R-Clamp
26	09363	4	Screw-HH	63	104-7048	1	Cap-Housing
27	03162	8	Screw-HH	64	104-7050	1	Tube-Manual
28	70-07-063	1	Spring-Extension	99	994808	1	Excluder-Draught ●

● Not illustrated

Steering Column Assembly No. 111-6756



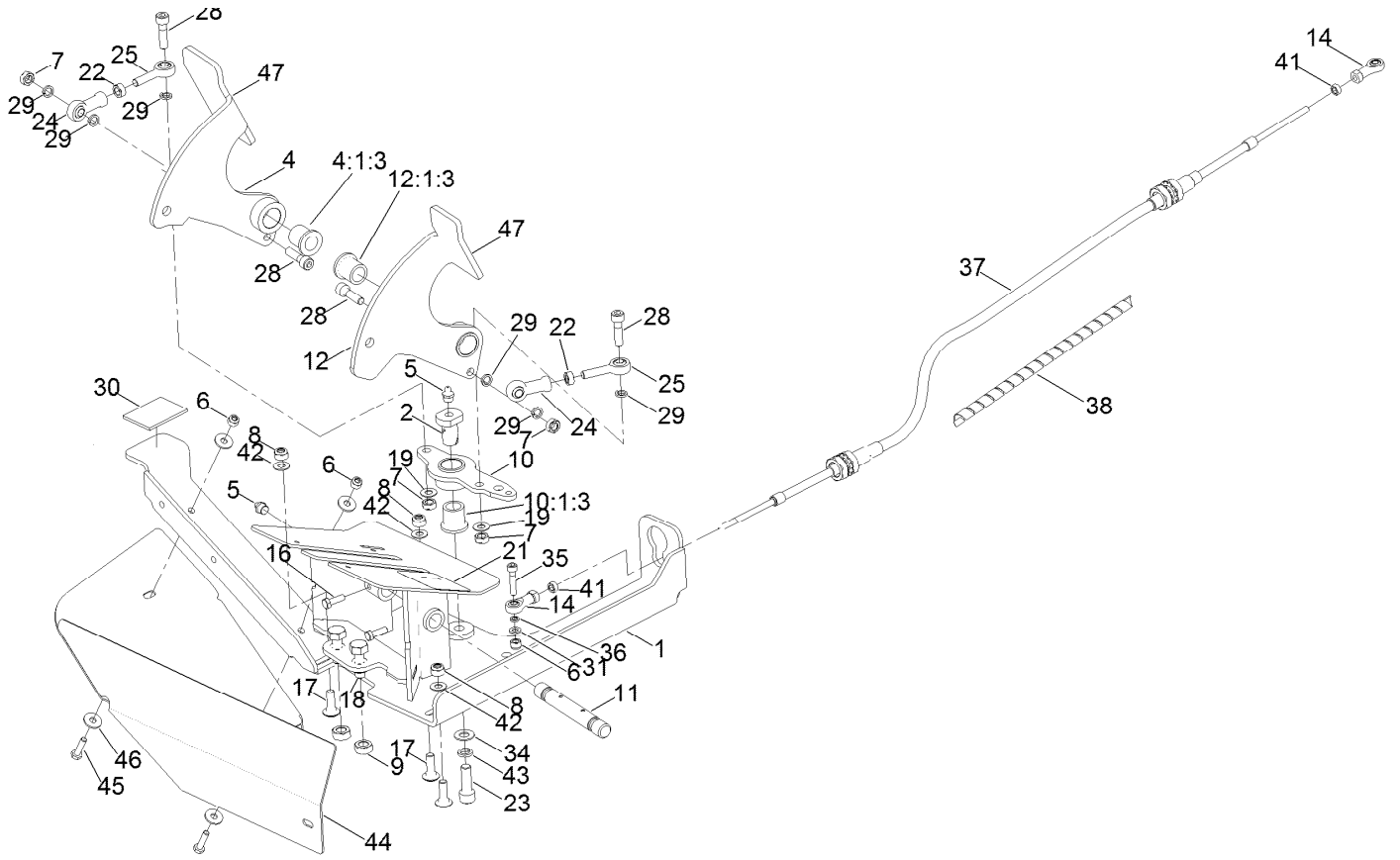
Steering Column Assembly No. 111-6756 (continued)

<i>Ref.</i>	<i>Part Number</i>	<i>Qty.</i>	<i>Description</i>	<i>Ref.</i>	<i>Part Number</i>	<i>Qty.</i>	<i>Description</i>
1	110-6462	1	Bellows-Rubber	3	110-6464	1	Pedal Service Kit
2	110-6463	1	Cylinder Service Kit	3:1		1	Pedal ■
2:1		1	Cylinder-Gas ■	3:2		1	Pin ■
2:2		1	Block-Pedal ■	3:3		1	Spring ■
2:3		2	Bolt ■	4	110-6465	1	Cover-Pedal ●
2:4		1	Pin ■	5	111-7314	1	Universal Joint Kit ●
2:5		2	Washer-Lock ■				

● Not illustrated

■ Not serviced separately

Pedal Control Assembly

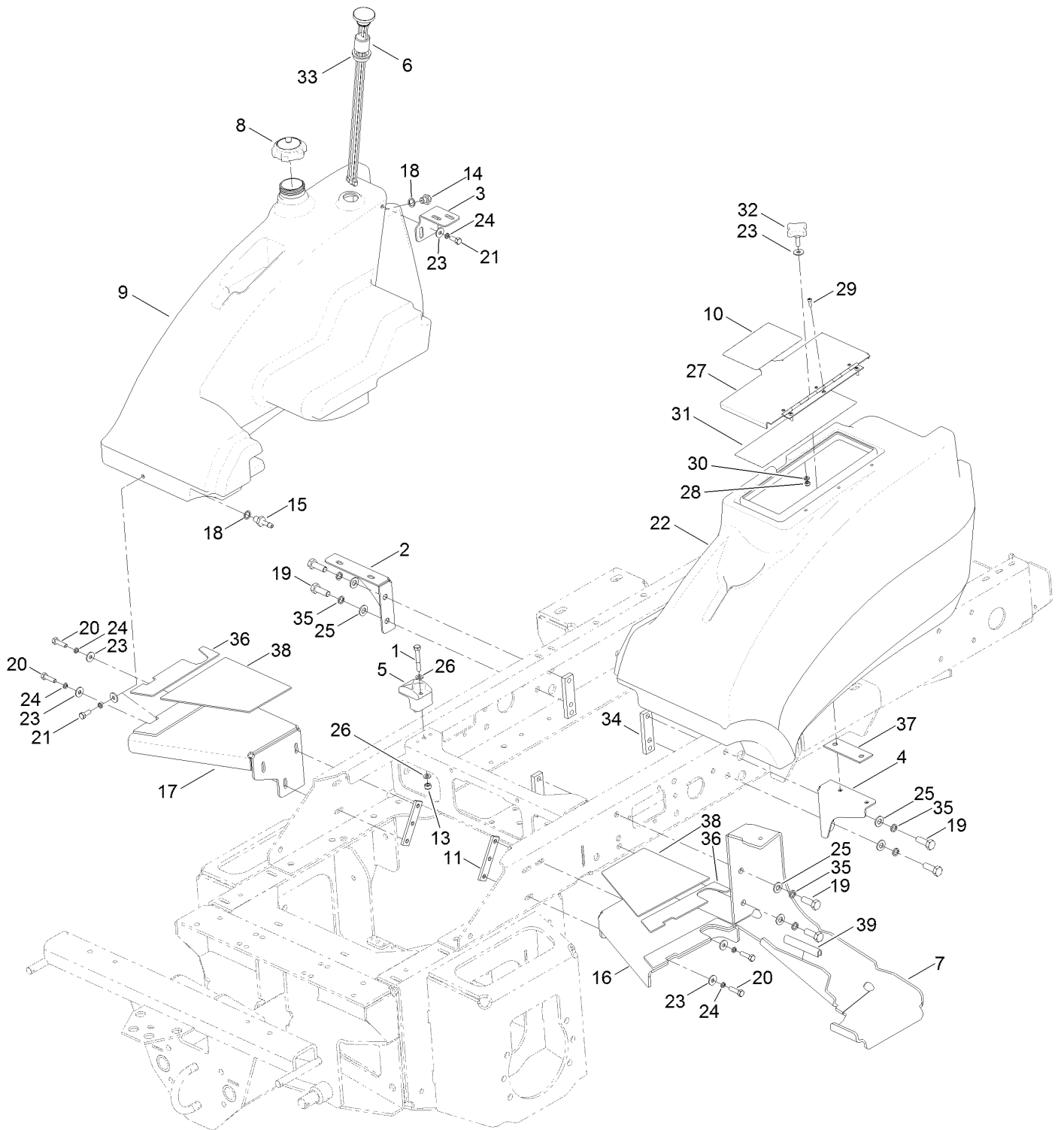


Pedal Control Assembly (continued)

<i>Ref.</i>	<i>Part Number</i>	<i>Qty.</i>	<i>Description</i>	<i>Ref.</i>	<i>Part Number</i>	<i>Qty.</i>	<i>Description</i>
1	111-7175-03	1	Pedal-Mounting	23	ZCS1J030U	1	Screw-HSH
2	111-7122	1	Boss-Pedal, Link	24	111-2896	2	Rod-End, Female
4	111-9243-03	1	Forward Pedal ASM	25	111-6147	2	Rod End
4:1:3	953868	1	Bushing-Flange, Oilite	28	ZCS1H030U	4	Screw-Cap
5	10-11-017	2	Fitting-Straight	29	111-6948	6	Washer-Spring
6	09544	3	Nut-Nyloc	30	HY910808	1	Strip-Neoprene
7	ZNB1H000U	4	Nut	31	09472	1	Washer-Plain
8	09441	3	Nut-Hex, NI	34	09479	1	Washer-Plain
9	09449	2	Nut	35	111-4586	1	Screw-HSH
10	111-7068-03	1	Pedal Link ASM	36	09474	1	Washer-Spring
10:1:3	953868	1	Bushing-Flange, Oilite	37	111-7140	1	Cable-Transmission
11	111-1310	1	Pin-Control, Pedal	38	111-6133	1	Guard-Spiral
12	111-9244-03	1	Reverse Pedal ASM	41	09437	2	Nut
12:1:3	953868	1	Bushing-Flange, Oilite	42	09267	3	Washer-Plain
14	111-4579	2	Rod End-Female/Female	43	09480	1	Washer-Lock
16	09363	2	Screw-HH	44	111-7253-03	1	Deflector-Grass, Cutter (RH)
17	09373	3	Bolt-Coach	45	09364	2	Screw-HH
18	09392	2	Screw-HH	46	09262	4	Washer
19	09475	2	Washer	47	70-07-067	1	Tape-Slip, Anti ●
21	111-3567	1	Decal-Pedal, Operation				
22	ZNH1H000U	2	Nut-Hex				

● Not illustrated

Fuel Tank and Storage Pod Assembly



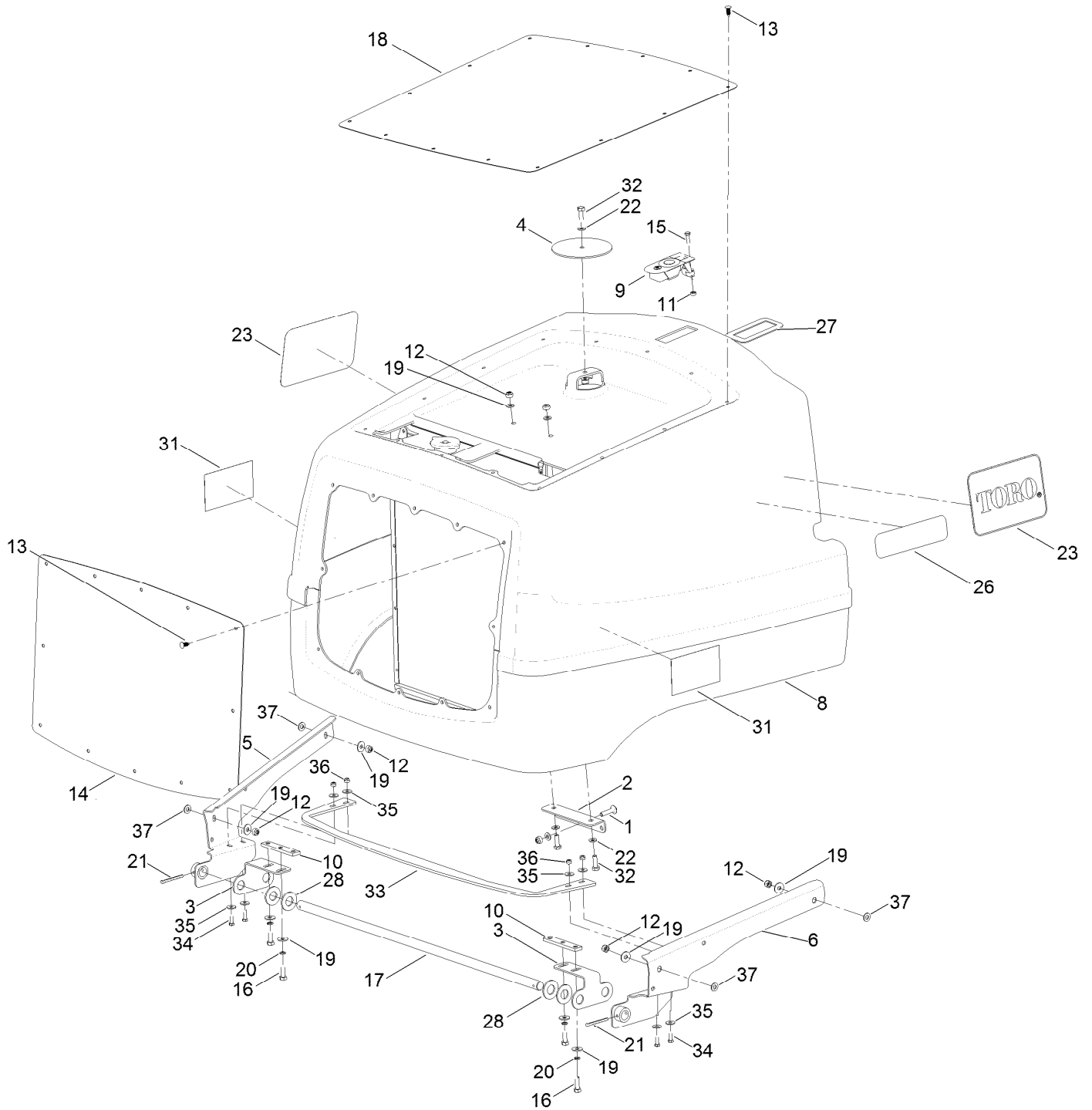
Fuel Tank and Storage Pod Assembly (continued)

<i>Ref.</i>	<i>Part Number</i>	<i>Qty.</i>	<i>Description</i>	<i>Ref.</i>	<i>Part Number</i>	<i>Qty.</i>	<i>Description</i>
1	09565	1	Screw-HH	23	09267	6	Washer-Plain
2	111-3452-03	1	Bracket-Fuel Tank	24	03469	6	Washer-Spring
3	111-3453-03	1	Bracket-Fuel Tank, Upper	25	HY09485	6	Washer-Plain
4	111-3424-03	1	Bracket-Pod, Storage	26	ZWP1H000U	2	Washer-Plain
5	107-4543	1	Clamp	27	111-7242-03	1	Cover-Storage
6	104-5603	1	Gauge-Level, Fuel	27:1		1	Cover Assembly Storage Pod ●■
7	111-7306-01	1	Step-Foot, Rev	27:1:4	134-2164	1	Plug-Lid, Storage ●
8	111-3531	1	Cap-Fuel	28	09430	3	Nut-Nyloc
9	111-3294	1	Tank-Fuel	29	111-3381	3	Screw-HSBH
10	111-5007	1	Decal-Warning, Inclines	30	09470	3	Washer
11	111-3281	2	Bar-Nut	31	111-7249	1	Decal-Maintenance
13	09441	1	Nut-Hex, NI	32	111-3666	3	Handwheel
14	910352	1	Pipe-Return, Fuel	33	95-8972	1	Grommet
15	910351	1	Pipe-Suction, Fuel	34	111-4490	3	Bar-Nut
16	111-9042-03	1	Support-Platform	35	09599	6	Washer-Lock
17	111-9041-03	1	Support-Platform	36	111-9044	2	Pad-Support, Outer
18	111-3925	2	Washer-Fiber	37	111-5388	1	Pad-Rubber, Storage Pod
19	ZDH1L035U	6	Screw-HH	38	111-9043	2	Pad-Support, Inner
20	09369	4	Screw-HH	39	50-08-001	1	Edging-Rubber
21	09368	2	Screw-HH	99	70-07-067	1	Tape-Slip, Anti ●
22	111-3295	1	Pod-Storage				

● Not illustrated

■ Not serviced separately

Hood Assembly

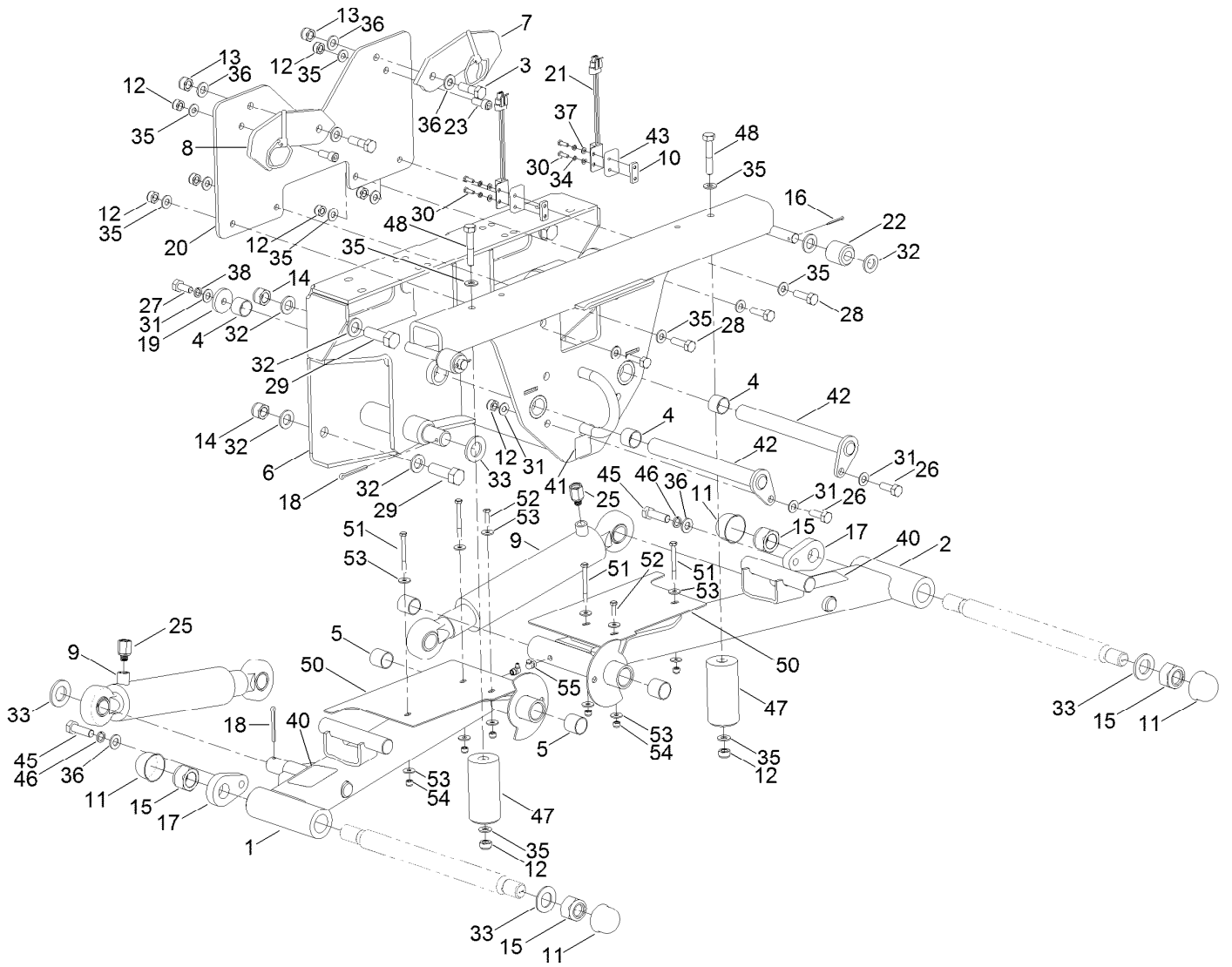


Hood Assembly (continued)

<i>Ref.</i>	<i>Part Number</i>	<i>Qty.</i>	<i>Description</i>	<i>Ref.</i>	<i>Part Number</i>	<i>Qty.</i>	<i>Description</i>
1	09369	1	Screw-HH	19	09267	11	Washer-Plain
2	111-2111-03	1	Bracket-Engine, Cover	20	03469	4	Washer-Spring
3	111-7483-03	2	Bracket, Hinge-Shaft	21	74-11-003	2	Pin-Split
4	111-3557-03	1	Cover-Air, Intake	22	ZWP1H000U	4	Washer-Plain
5	111-3490-03	1	Hinge-Cover, Engine (LH)	23	111-3728	2	Decal
6	111-3491-03	1	Hinge-Cover, Engine (RH)	26	111-3984	2	Decal
8	111-6920	1	Cover-Engine	27	111-4158-03	1	Plate-Support, Latch
9	950831	1	Latch-Sealed, Lever	28	09499	4	Washer
10	111-3281	2	Bar-Nut	31	94-8099	2	Decal
11	09437	1	Nut	32	09368	3	Screw-HH
12	09441	8	Nut-Hex, NI	33	111-8236-03	1	Plate-Tie, Cover
13	117-2382	26	Plug-Plastic	34	09363	4	Screw-HH
14	111-6919-03	1	Screen-Rear	35	09262	8	Washer
15	09364	1	Screw-HH	36	09438	4	Nut-Nyloc
16	03162	4	Screw-HH	37	09475	4	Washer
17	111-7482	1	Shaft-Hinge, Cover	99	111-7488	5	Seal-Cover, Screen ●
18	111-6918-03	1	Screen-Top				

● Not illustrated

Front Lift Arm Assembly

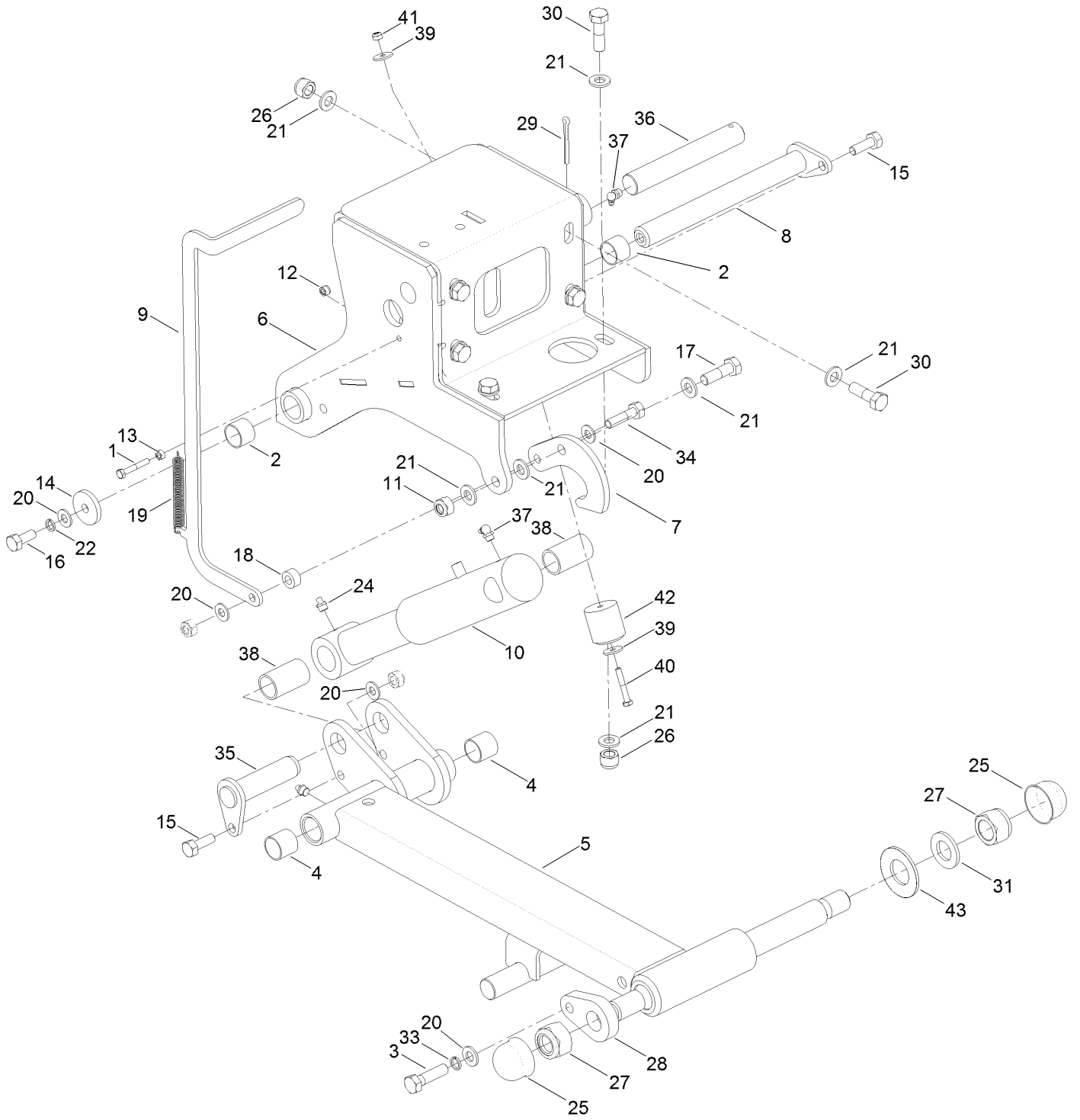


Front Lift Arm Assembly (continued)

<i>Ref.</i>	<i>Part Number</i>	<i>Qty.</i>	<i>Description</i>	<i>Ref.</i>	<i>Part Number</i>	<i>Qty.</i>	<i>Description</i>
1	111-1390-03	1	Arm-Front, RH	27	09395	2	Screw-HH
2	111-4100-03	1	Arm-Front, LH	28	ZDH1J035U	4	Screw-HH
3	63-11-010	2	Bolt-HH	29	ZDH1P050U	8	Screw-HH
4	74-07-028	4	Bushing	30	ZDH1E016U	4	Screw-HH
5	876066	4	Bushing	31	09479	6	Washer-Plain
6	111-8096-03	1	Frame-Pivot, Arm	32	09491	20	Washer-Plain
7	111-7922-01	1	Plate-Latch, LH	33	09555	6	Washer
8	111-7921-01	1	Plate-Latch, RH	34	09644	4	Washer-Spring
9	111-1998	2	HYD Lift Cylinder ASM	35	ZWQ1J000U	14	Washer-Plain
9:1	111-2561	2	Fitting-Grease ●	36	HY09485	6	Washer-Plain
9:2	111-3471	1	Seal Kit ●	37	09470	4	Washer
10	111-3336	2	Bar-Switch, Proximity	38	09480	2	Washer-Lock
11	10-11-100	4	Cap-Nut	40	70-13-077	2	Decal-Danger
12	ZNN1J000U	10	Nut-Hex, NI	41	70-13-072	1	Decal
13	09650	2	Nut-Hex, Nyloc	42	111-3248	2	Pin-Pivot, Front Arm
14	09456	8	Nut	43	111-3676	2	Spacer-Switch, Proximity
15	ZNN1X000U	4	Nut-Hex, Nyloc	45	ZDH1L040U	2	Screw-HH
16	70-11-005	2	Pin-Split	46	09599	2	Washer-Lock
17	63-01-185W	2	Retainer-Pin	47	111-4157	2	Stop-Bump
18	74-11-003	4	Pin-Split	48	09397	2	Bolt
19	111-3366	2	Plate-Retaining, Bush	50	111-6822-03	2	Deflector-Arm, Mounted
20	111-4093-03	1	Mount-Latch, Plate	51	09703	4	Bolt-HH
21	105-0023	2	Switch-Proximity	52	09364	2	Screw-HH
22	922112	2	Roller	53	09262	12	Washer
23	ZCS1J025U	2	Screw-HSH	54	09544	6	Nut-Nyloc
25	111-3538	2	Adaptor	55	63-07-027	2	Zerk-Grease, BSP (90 DEG)
26	09392	2	Screw-HH				

● Not illustrated

Center Arm Assembly

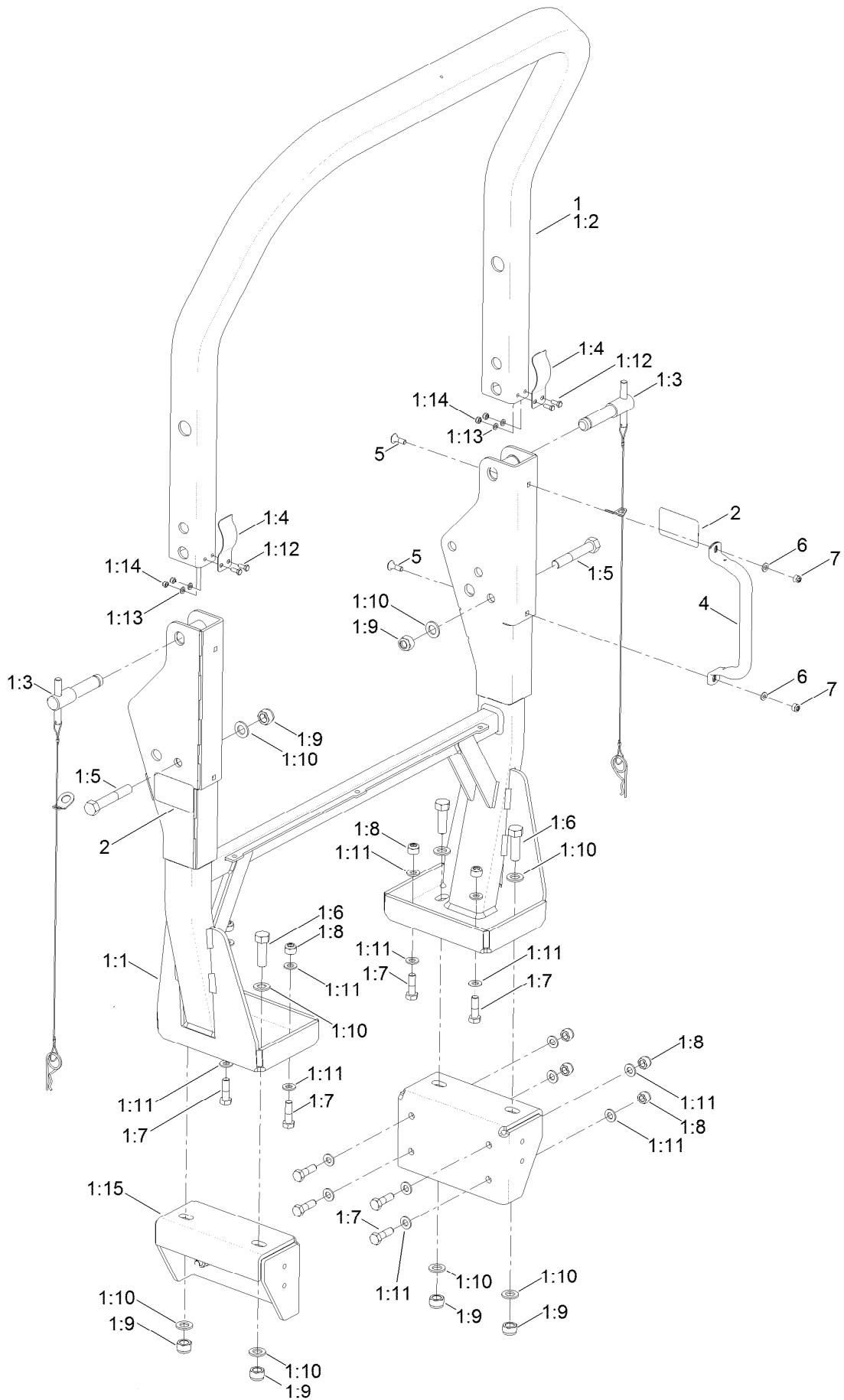


Center Arm Assembly (continued)

<i>Ref.</i>	<i>Part Number</i>	<i>Qty.</i>	<i>Description</i>	<i>Ref.</i>	<i>Part Number</i>	<i>Qty.</i>	<i>Description</i>
1	ZBH1F040U	1	Screw-HH	21	HY09485	17	Washer-Plain
2	74-07-028	2	Bushing	22	09480	1	Washer-Lock
3	ZBH1L045U	1	Screw-HH	24	10-11-017	1	Fitting-Straight
4	876066	2	Bushing	25	10-11-100	2	Cap-Nut
5	111-5158-03	1	Center Arm ASM	26	ZNN1L000U	6	Nut-Nyloc
6	111-5190-03	1	Center Arm Mount ASM	27	ZNN1X000U	2	Nut-Hex, Nyloc
7	111-3099-01	1	Latch-Head, Center	28	63-01-185W	1	Retainer-Pin
8	111-3248	1	Pin-Pivot, Front Arm	29	74-11-003	2	Pin-Split
9	111-3122-01	1	Handle-Head, Center	30	09415	6	Screw-HH
10	910109W	1	Cylinder-Lift	31	09555	3	Washer
10:99	50-06-013	1	Seal Kit ●	33	09599	1	Washer-Lock
11	09650	1	Nut-Hex, Nyloc	34	09611	1	Bolt-HH
12	09544	1	Nut-Nyloc	35	74-05-108	1	Pin-Wing, Arm
13	09437	1	Nut	36	111-5212	1	Pin-Plain
14	111-3366	1	Plate-Retaining, Bush	37	63-07-027	2	Zerk-Grease, BSP (90 DEG)
15	09392	2	Screw-HH	38	25-07-007	2	Bushing-Tension
16	09395	1	Screw-HH	39	09263	2	Washer
17	ZDH1L035U	1	Screw-HH	40	ZBH1F040U	1	Screw-HH
18	111-3457	1	Spacer-Latch, Center Head	41	09438	1	Nut-Nyloc
19	111-3329	1	Spring-Latch, Center Head	42	61-07-003	1	Buffer-Rubber
20	ZWQ1J000U	7	Washer-Plain	43	767815	1	Washer-Belleville

● Not illustrated

Roll-Over Protection System Assembly



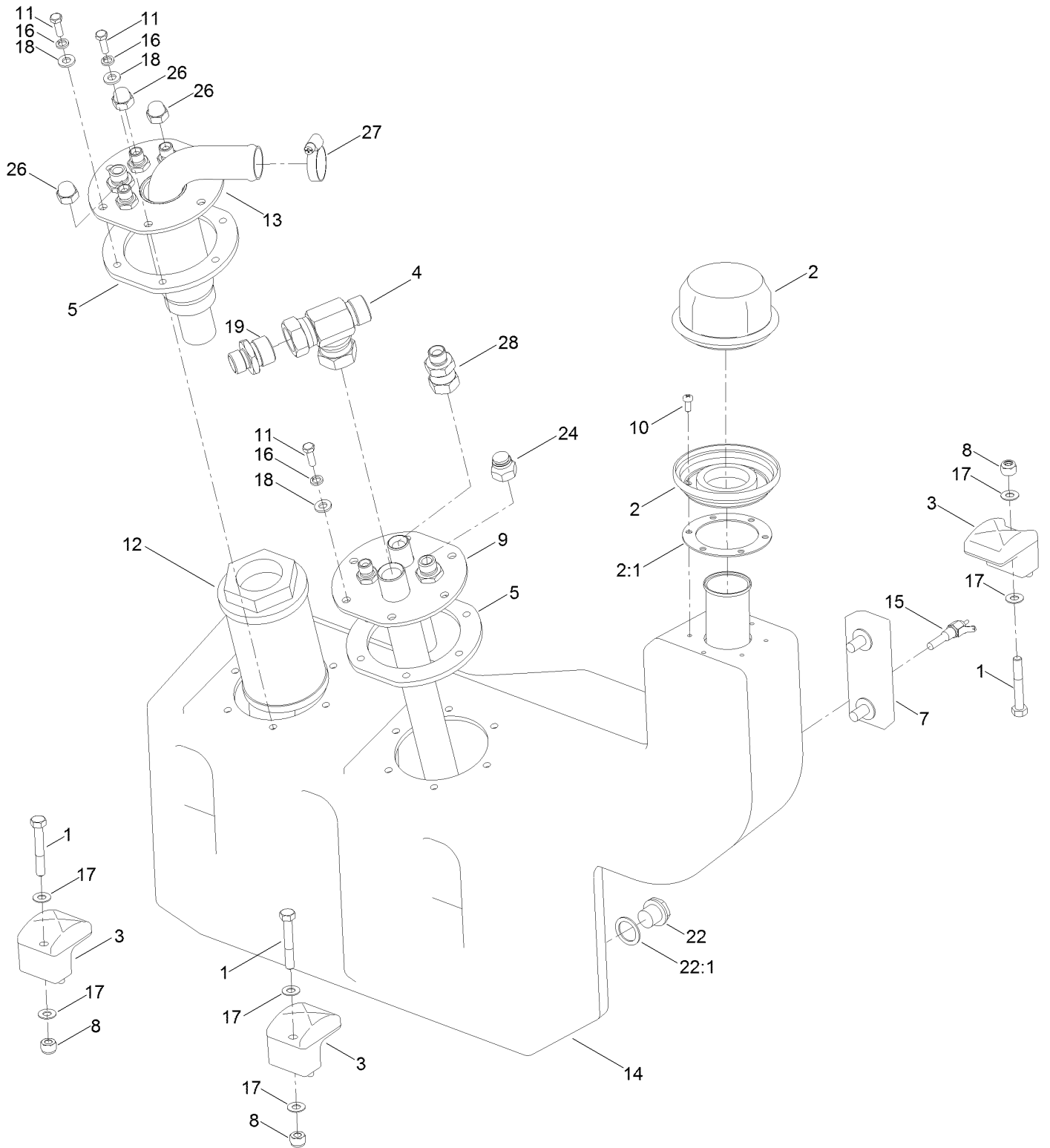
Roll-Over Protection System Assembly (continued)

<i>Ref.</i>	<i>Part Number</i>	<i>Qty.</i>	<i>Description</i>	<i>Ref.</i>	<i>Part Number</i>	<i>Qty.</i>	<i>Description</i>
1		1	ROPS ASM ●■	1:11	HY09485	24	Washer-Plain
1:1	111-9047-03	1	ROPS-Lower	1:12	09362	4	Screw-HH
1:2	111-8040-03	1	ROPS-Upper	1:13	09472	4	Washer-Plain
1:3	111-9280	2	Pin Assembly	1:14	09438	4	Nut-Nyloc
1:4	110-5696	2	Spring-Leaf	1:15	111-9065-03	2	Bracket-Chassis, ROPS
1:5	ZBH1P100U	2	Bolt	2	111-0773	2	Decal
1:6	ZDH1P050U	4	Screw-HH	4	134-2022-03	1	Handle-ROPS
1:7	63-11-010	12	Bolt-HH	5	09373	2	Bolt-Coach
1:8	111-9291	12	Nut-Hex, Nyloc	6	ZWP1H000U	2	Washer-Plain
1:9	09456	6	Nut	7	09441	2	Nut-Hex, NI
1:10	09491	10	Washer-Plain				

● Not illustrated

■ Not serviced separately

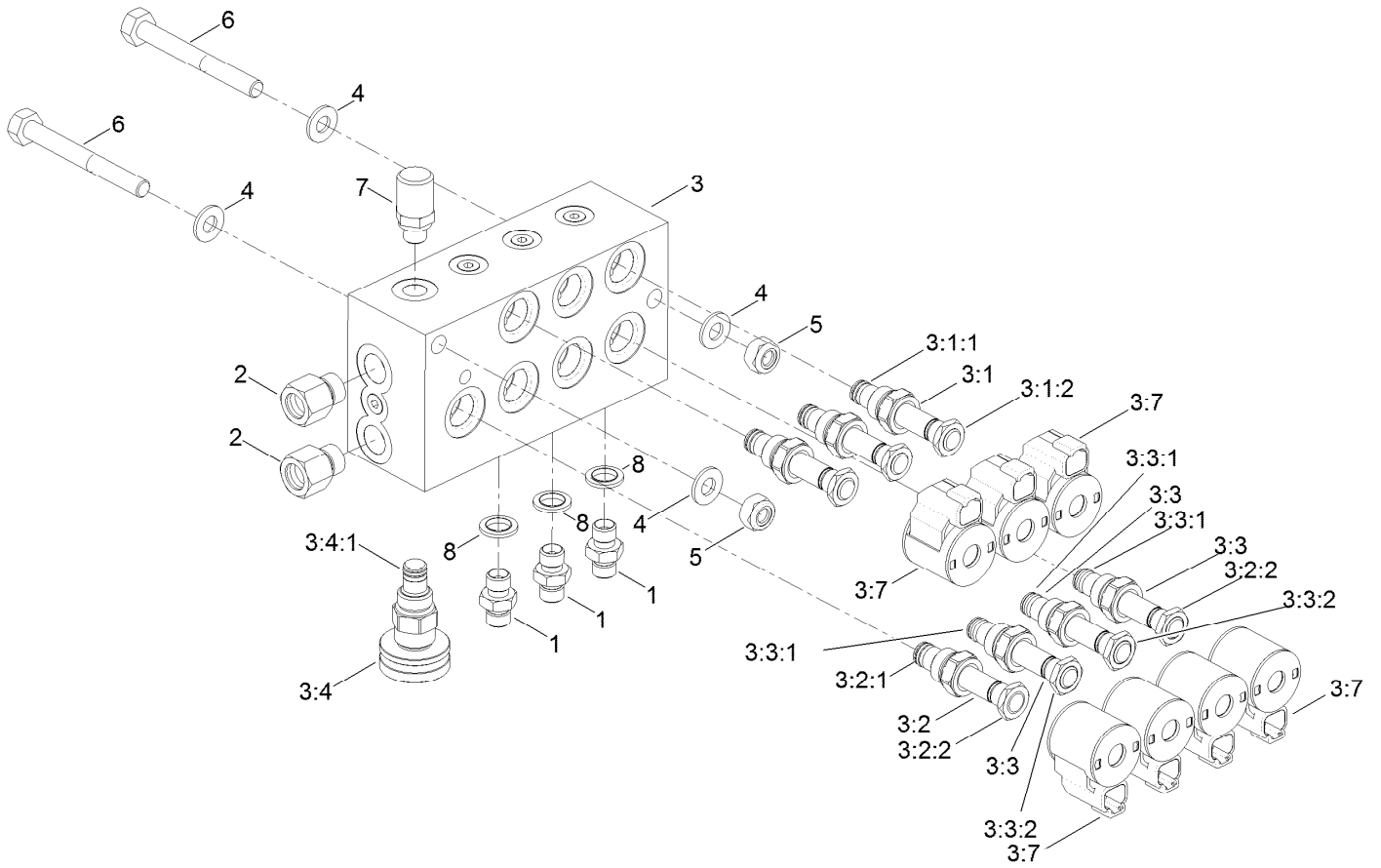
Hydraulic Oil Tank Assembly



Hydraulic Oil Tank Assembly (continued)

<i>Ref.</i>	<i>Part Number</i>	<i>Qty.</i>	<i>Description</i>	<i>Ref.</i>	<i>Part Number</i>	<i>Qty.</i>	<i>Description</i>
1	09565	3	Screw-HH	14	111-9528	1	Tank-Oil, Hydraulic
2	HY910601	1	Cap-Breather, Filler	15	940852	1	Switch-Temperature
2:1	910648	1	Cap-Gasket, Filler	16	09474	12	Washer-Spring
3	107-4543	3	Clamp	17	09475	6	Washer
4	60-06-009	1	Adaptor-Tee	18	09472	12	Washer-Plain
5	111-9531	2	Gasket-Flange	19	09-06-201	1	Adaptor
7	65-06-018	1	Gauge-Level, Oil	22	20-06-207	1	Plug-Magnetic
8	09442	3	Nut	22:1	111-7925	1	Washer-Fiber
9	111-9533-03	1	Flange-Return	24	111-4972	1	Cap-BSP
10	09634	6	Screw-PPH, HD	26	66-06-003	1	Cap-BSP
11	09363	12	Screw-HH	27	10-11-034	1	Clamp-Hose, Hi-Torque
12	10-06-025	1	Filter-Suction	28	09-06-217	1	Adaptor
13	111-9532	1	Flange-Suction				

Lift Manifold Assembly

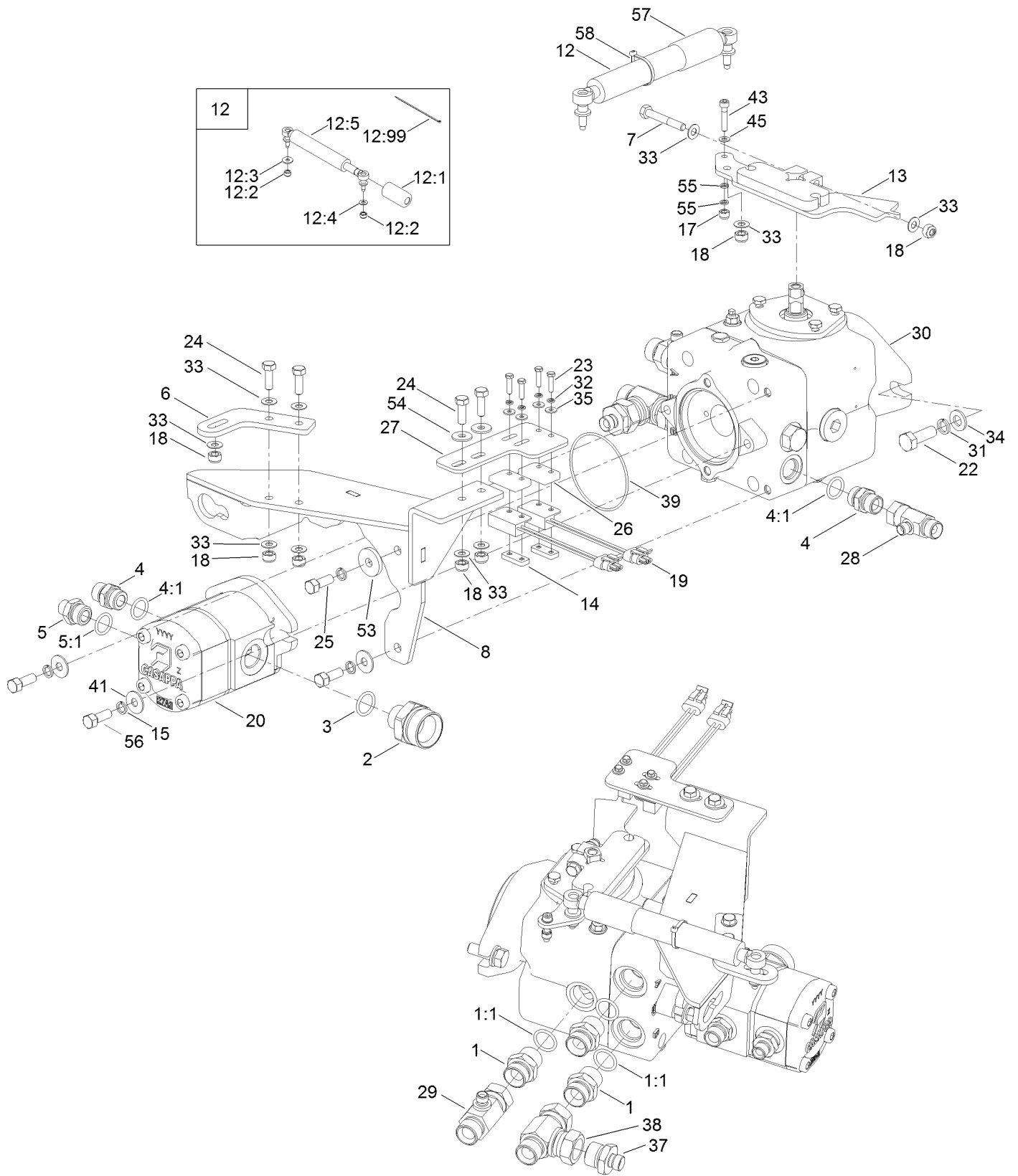


Lift Manifold Assembly (continued)

<i>Ref.</i>	<i>Part Number</i>	<i>Qty.</i>	<i>Description</i>	<i>Ref.</i>	<i>Part Number</i>	<i>Qty.</i>	<i>Description</i>
1	10-06-085	3	Adaptor	3:3:2	110-2634	1	Nut-Coil
2	111-3509	2	Adaptor	3:4	111-5513	1	Valve-Needle, Weight
3	111-8419	1	Manifold-Control, Lift	3:4:1	107-7527	1	Seal Kit
3:1	111-9623	3	Valve-Solenoid	3:5	111-9625	3	Orifice-Flow, Control ●
3:1:1	107-7527	1	Seal Kit	3:6	106-1025	4	Plug-HYD ●
3:1:2	110-2634	1	Nut-Coil	3:7	112-0197	7	E Coil-12V DC
3:2	111-9624	1	Valve-Solenoid	4	ZWQ1J000U	4	Washer-Plain
3:2:1	105-9156	1	Seal Kit	5	ZNN1J000U	2	Nut-Hex, NI
3:2:2	107-7812	1	Nut-Solenoid	6	ZBH1J090U	2	Screw-HH
3:3	112-9206	3	Solenoid Valve ASM	7	910615	1	Point-BSPP
3:3:1	105-9156	1	Seal Kit	8	10-06-030	3	Seal-Dowty

● Not illustrated

Transmission and Tandem Pump Assembly



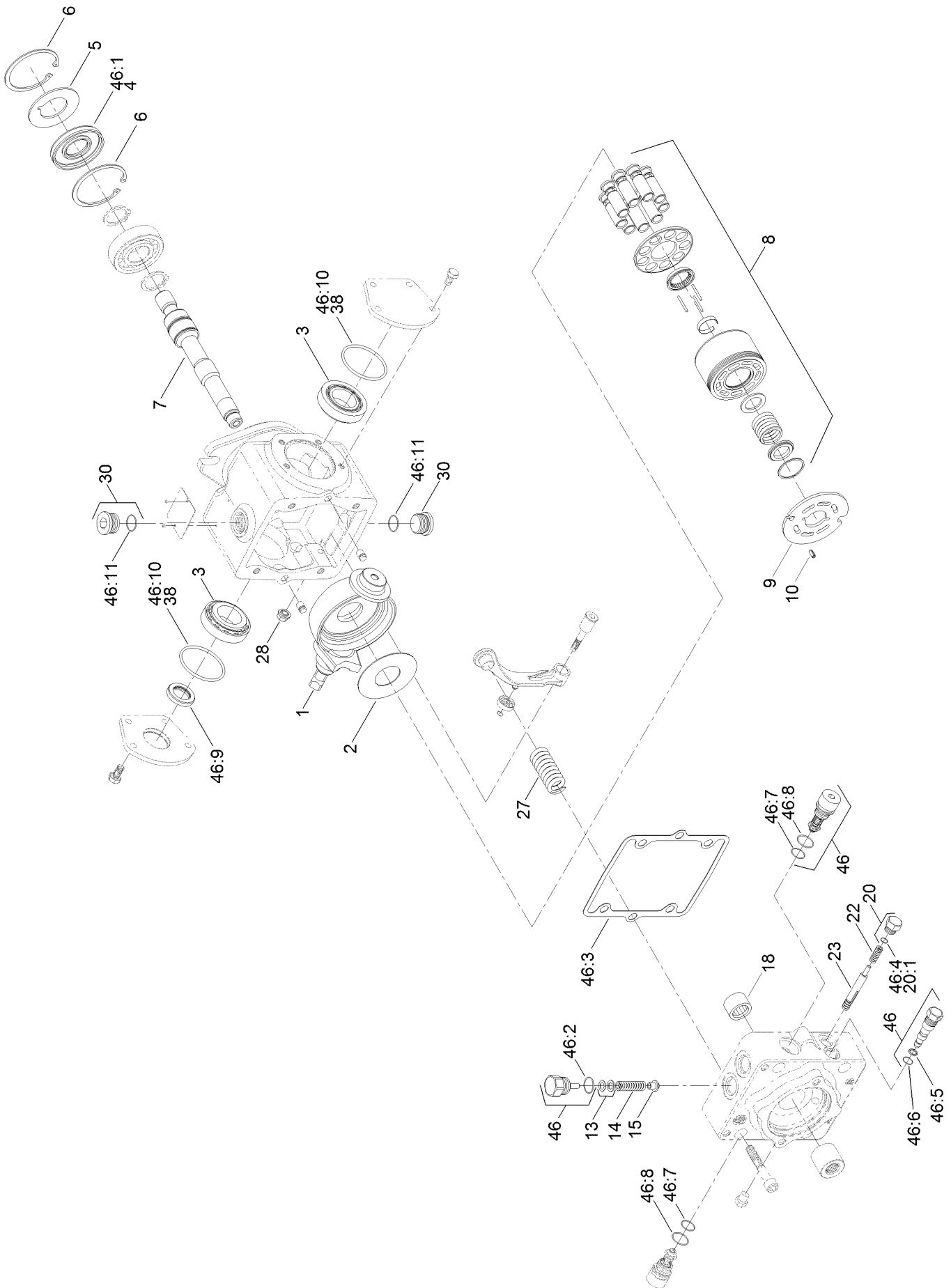
HYD FITTINGS VARIATION-FA-30657

Transmission and Tandem Pump Assembly (continued)

<i>Ref.</i>	<i>Part Number</i>	<i>Qty.</i>	<i>Description</i>	<i>Ref.</i>	<i>Part Number</i>	<i>Qty.</i>	<i>Description</i>
1	70-06-050	3	Adaptor-Boss	22	ZDH1L035U	2	Screw-HH
1:1	70-06-168	1	Seal-O Ring	23	ZDH1E020U	4	Screw-HH
2	134-0023	1	Adaptor M/M	24	03162	4	Screw-HH
3	70-06-168	1	Seal-O Ring	25	HY103653	2	Screw-HH
4	63-06-104	2	Adaptor-BSP	26	111-3676	2	Spacer-Switch, Proximity
4:1	63-06-111	1	Seal-O Ring	27	111-3260-03	1	Adjuster-Switches
5	70-06-053	1	Adaptor-Boss	28	74-06-019	1	Adaptor-Tee
5:1	63-06-111	1	Seal-O Ring	29	111-3639	1	Tee-BSP
6	111-6853-03	1	Adjuster-Damper	30	111-6774	1	Pump-Transmission
7	09565	1	Screw-HH	31	09599	2	Washer-Lock
8	111-6456-03	1	Bracket-Control, Pump	32	09644	4	Washer-Spring
12	111-9548	1	Damper Kit	33	09475	10	Washer
12:1	111-9774	1	Sleeve-Rubber	34	HY09485	2	Washer-Plain
12:2	09441	2	Nut-Hex, NI	35	09257	4	Washer
12:3	09267	1	Washer-Plain	37	20-06-212	1	Adaptor-BSP
12:4	09475	1	Washer	38	60-06-009	1	Adaptor-Tee
12:5	111-8425	1	Damper	39	70-06-028	1	O-Ring
12:99	74-07-020	1	Tie-Cable ●	41	HY03355	3	Washer-Plated
13	111-6814	1	Lever-Control, Pump	43	111-4586	1	Screw-HSH
14	111-3336	2	Bar-Switch, Proximity	45	ZWP1F000U	1	Washer-Plain
15	09273	4	Washer-Spring	53	65-01-559	1	Washer-Space
17	09544	1	Nut-Nyloc	54	09267	2	Washer-Plain
18	09441	7	Nut-Hex, NI	55	09474	2	Washer-Spring
19	105-0023	2	Switch-Proximity	56	111-9168	2	Screw-Sh
20	111-7444	1	Gear Pump ASM	57	111-9774	1	Sleeve-Rubber
20:99	134-2157	1	Seal Kit ●	58	HY3966	1	Tie-Cable

● Not illustrated

Hydraulic Pump Assembly No. 111-6774



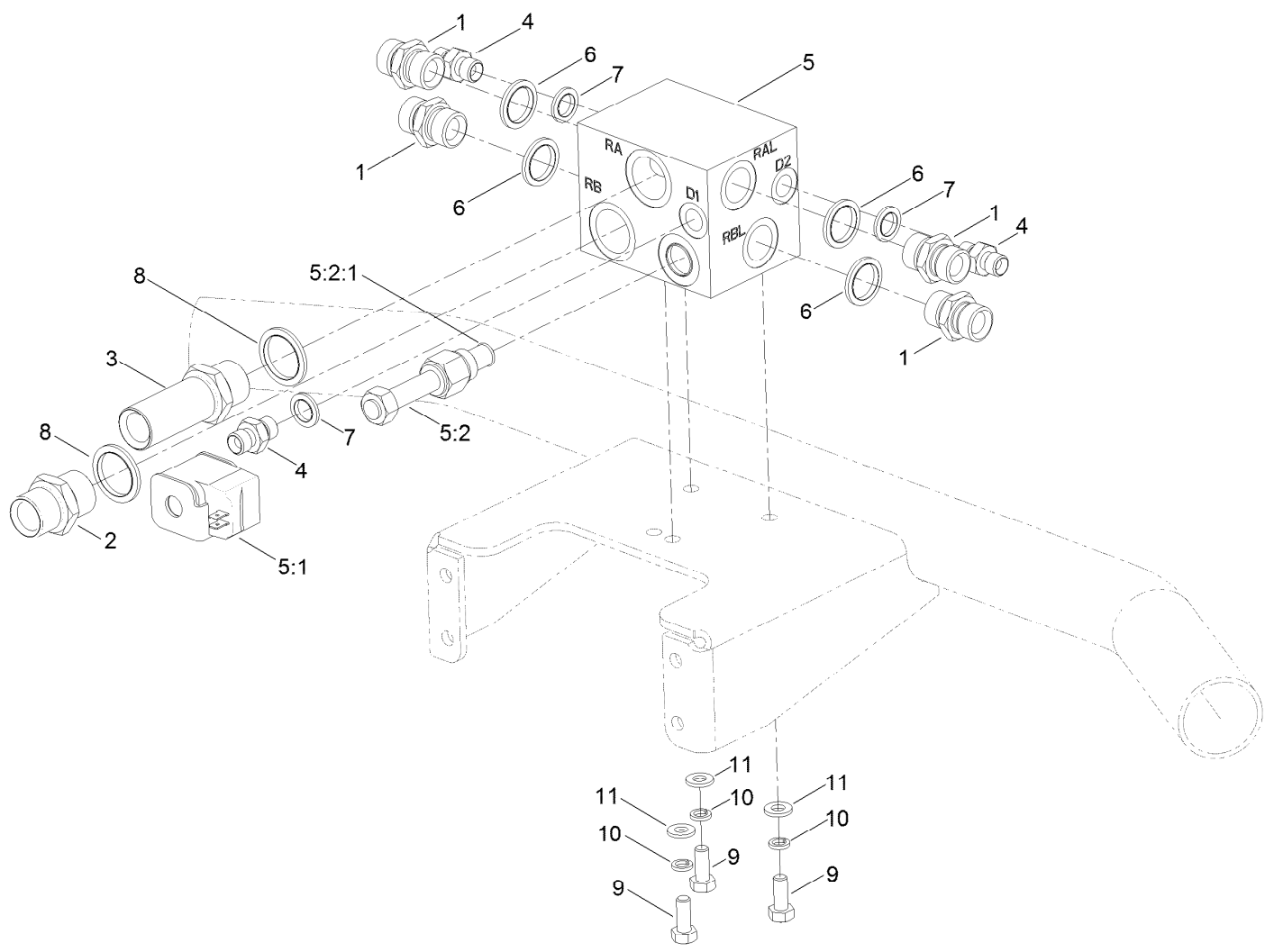
Hydraulic Pump Assembly No. 111-6774 (continued)

<i>Ref.</i>	<i>Part Number</i>	<i>Qty.</i>	<i>Description</i>	<i>Ref.</i>	<i>Part Number</i>	<i>Qty.</i>	<i>Description</i>
1	115-8092	1	Swashplate	23	110-6492	1	Spool-Loop, Flush
2	75-0400	1	Plate-Thrust	27	110-6495	1	Spring-Return, Neutral
3	110-6483	2	Bearing Kit	28	110-6496	1	Nut-Seal
4	110-6471	1	Seal-Lip	30	69-3130	2	Plug
5	95-4400	1	Washer-Backup	30:1		1	O-Ring ●■
6	69-3200	2	Ring-Retaining	38	84-0430	2	O-Ring
7	111-9640	1	Shaft-Auxiliary	46	110-6481	1	Seal Kit
8	110-6472	1	Cylinder Block Kit ASM	46:1	110-6471	1	Seal-Lip
9	110-6473	1	Plate-Valve (Clockwise)	46:2	28-3570	1	O-Ring
10	131-3800	1	Pin-Slotted	46:3	110-6476	1	Gasket-Cap, End
13	111-4908	1	Shim Kit ASM	46:4	131-8631	2	O-Ring
14	111-4918	1	Spring-Charge, Prv	46:5	25-2630	1	Ring-Back Up
15	110-6475	1	Poppet	46:6	110-6498	1	O-Ring
18	110-6489	4	Screw	46:7	75-0240	2	O-Ring
20	94-9415	1	Plug ASM	46:8	84-0560	2	O-Ring
20:1		1	O-Ring ■	46:9	110-6478	1	Seal-Lip
22	111-4917	1	Spring-Valve, Loop (Flushing)	46:10	84-0430	2	O-Ring
				46:11	131-8614	2	O-Ring

● Not illustrated

■ Not serviced separately

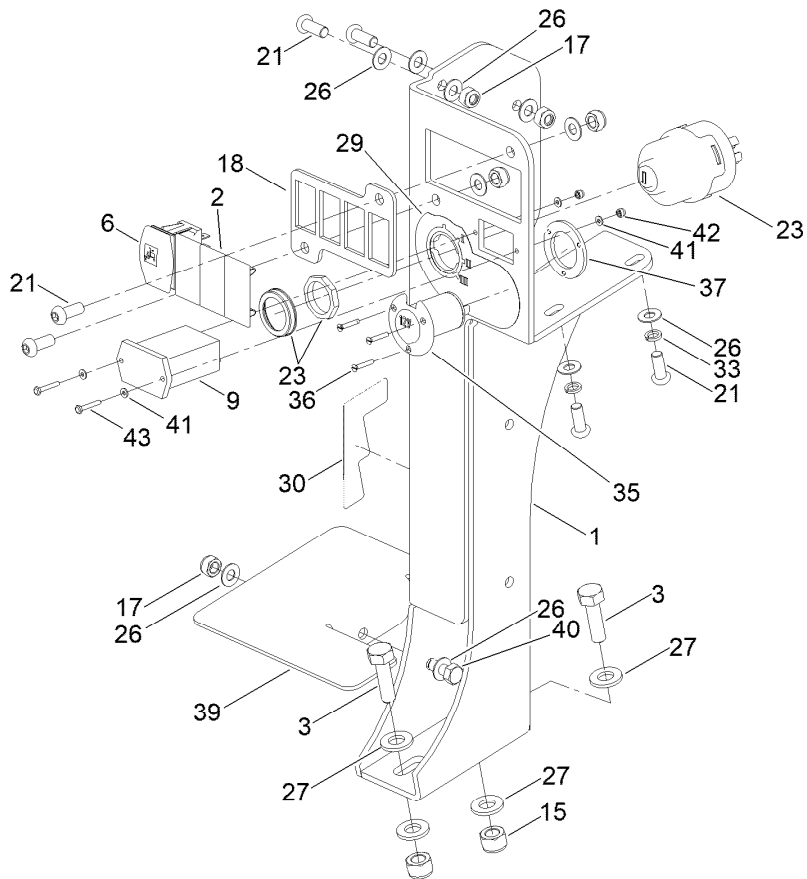
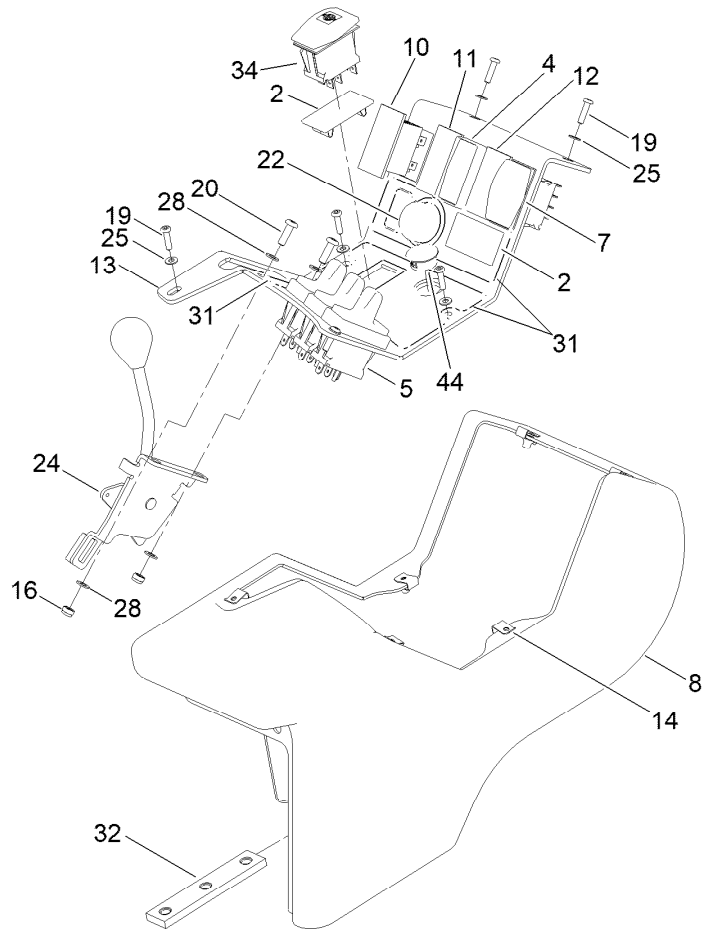
Rear Transmission Block Assembly



Rear Transmission Block Assembly (continued)

<i>Ref.</i>	<i>Part Number</i>	<i>Qty.</i>	<i>Description</i>	<i>Ref.</i>	<i>Part Number</i>	<i>Qty.</i>	<i>Description</i>
1	10-06-078	4	Adaptor-BSPP	5:2:1	910642	1	Seal Kit
2	10-06-044	1	Adaptor-BSP	6	10-06-032	4	Seal-Dowty
3	111-7494	1	Adaptor-BSP	7	10-06-030	3	Seal-Dowty
4	10-06-085	3	Adaptor	8	10-06-033	2	Seal-Dowty
5	924687	1	Manifold-Transmission, Rear	9	09368	3	Screw-HH
5:1	910627	1	Coil-Solenoid	10	03469	3	Washer-Spring
5:2	924688	1	Valve-Solenoid	11	ZWP1H000U	3	Washer-Plain

Control Panel Assembly

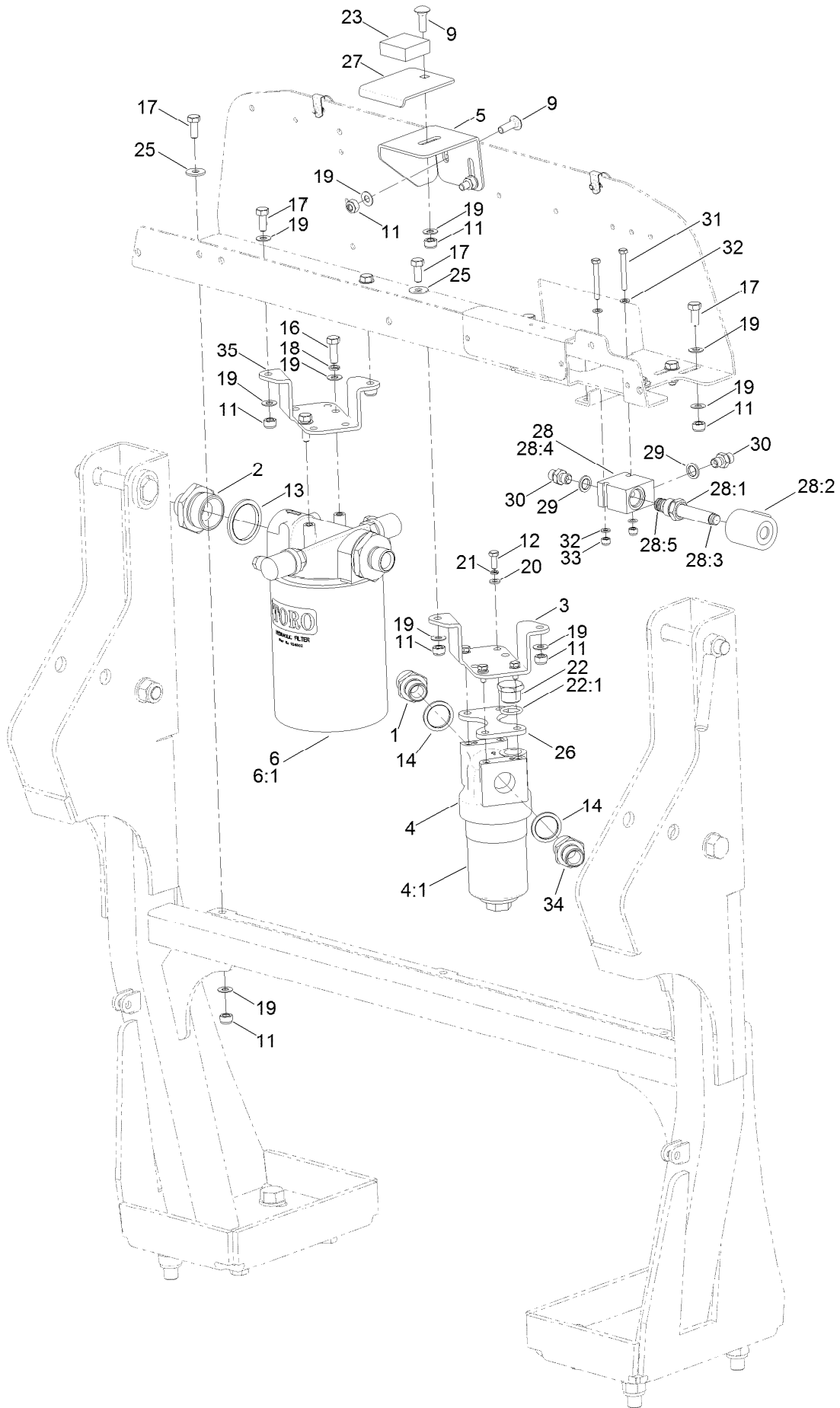


Control Panel Assembly (continued)

<i>Ref.</i>	<i>Part Number</i>	<i>Qty.</i>	<i>Description</i>	<i>Ref.</i>	<i>Part Number</i>	<i>Qty.</i>	<i>Description</i>
1	111-8496-03	1	Control Arm ASM	23:1	74-09-017	1	Key-Ignition ●
2	111-2337	4	Blank-Switch	23:2	74-09-010	1	Switch-Cover ●
3	09394	2	Bolt	24	111-7090	1	Cable-Throttle
4	111-2253	1	Switch-Cutters	25	09658	6	Washer
5	111-2956	3	Switch-Lift	26	09475	10	Washer
6	111-2451	1	Switch-Limited	27	HY09485	4	Washer-Plain
7	111-2254	1	Switch-Parking Brake, On-None-On	28	09470	4	Washer
8	111-3004	1	Pod-Control	29	111-3344	1	Decal-Switch, Ignition
9	75-6820	1	Hourmeter	30	111-3658	1	Decal-Latch, Cutterhead
10	111-2333	1	Indicator-Illuminated	31	134-1807	1	Decal-Lift Switches & Engine Control
11	111-2334	1	Indicator-Illuminated	32	111-3281	1	Bar-Nut
12	111-3026	1	Indicator-Illuminated	33	03469	2	Washer-Spring
13	111-2963-03	1	Instrument-Panel	34	111-8021	1	Switch-Lock
14	111-3079	6	U-Nut	35	111-2888	1	Socket
15	09447	2	Nut	36	111-3539	3	Screw-Slot, Countersunk
16	09430	2	Nut-Nyloc	37	111-6026	1	Bracket-Securing
17	09441	5	Nut-Hex, NI	39	111-5239-03	1	Plate-Filler
18	111-8494-03	1	Plate-Switch	40	09368	1	Screw-HH
19	111-3473	6	Screw-Button	41	HY09697	4	Washer-Plain
20	111-3381	2	Screw-HSBH	42	HY09698	2	Nut-Nyloc
21	ZHS1H020U	6	Screw-HSBH	43	09696	2	Setscrew
22	924618	1	Switch-Horn, Push	44	130-8439	1	Plug-Dome
23	74-09-009	1	Switch-Ignition	99	98-9321	1	Ring-Key ●

● Not illustrated

Filter Assembly

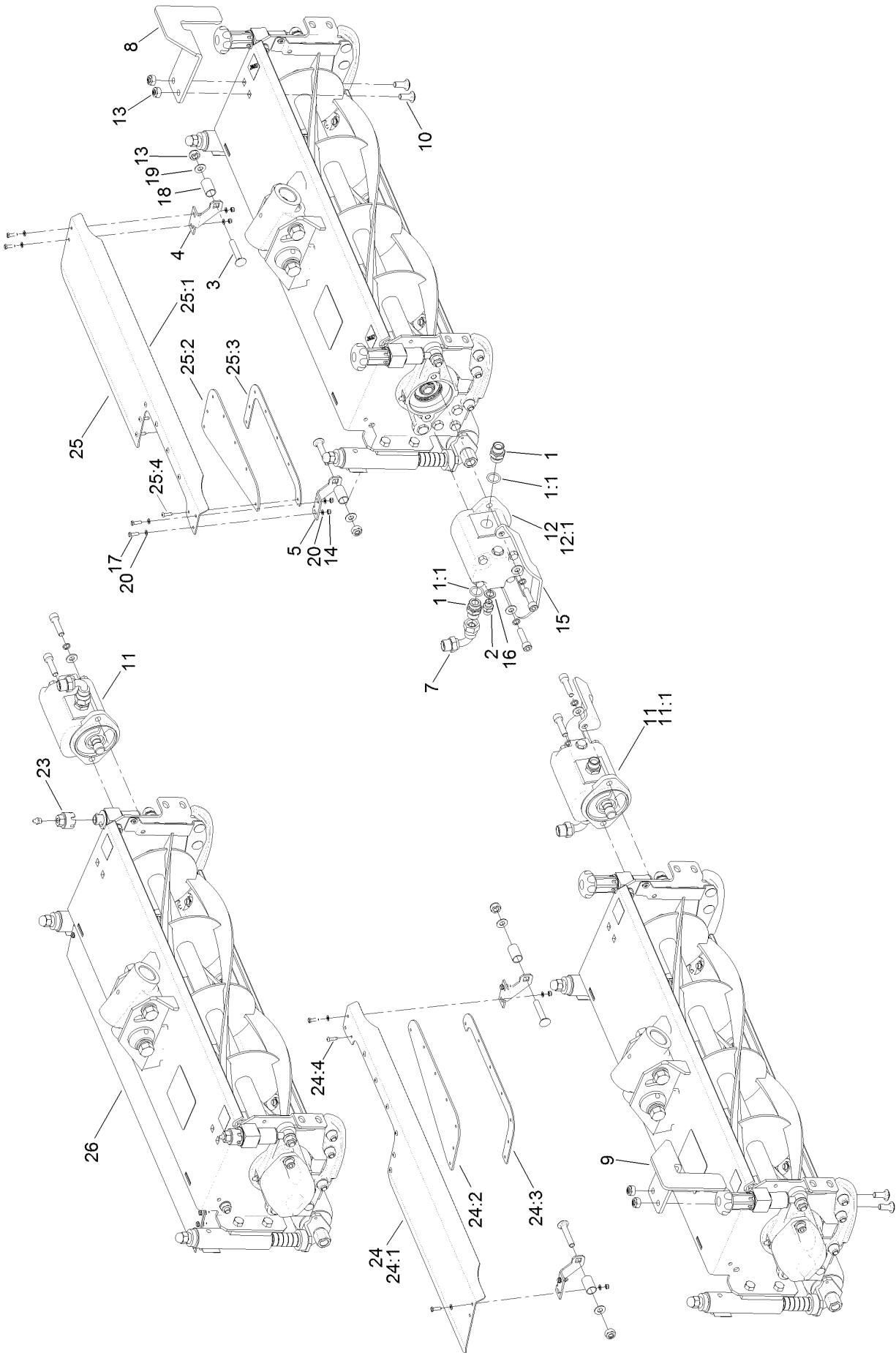


Filter Assembly (continued)

<i>Ref.</i>	<i>Part Number</i>	<i>Qty.</i>	<i>Description</i>	<i>Ref.</i>	<i>Part Number</i>	<i>Qty.</i>	<i>Description</i>
1	09-06-201	1	Adaptor	22	111-3926	1	Plug
2	25-06-050	2	Adaptor	22:1	63-06-111	1	Seal-O Ring
3	111-3485-03	1	Bracket-Filter, Oil	23	488023	1	Pad-Foam, Short
4	924708	1	Pressure Filter ASM	25	09267	3	Washer-Plain
4:1	924709	1	Element-Filter, Pressure	26	111-4843-03	1	Spacer-Oil Filter
4:2	924710	1	Indicator-Filter, Pressure ●	27	111-6096-03	1	Plate-Latch, Bonnet
5	111-6095-03	1	Plate-Latch, Bulkhead	28	111-6777	1	Manifold-Relief, Motor
6	111-7508	1	Return Filter ASM	28:1	130-8181	1	Nut-Coil (1/2-20 Unf-2B)
6:1	924692	1	Element-Filter	28:2	111-5625	1	Coil-Solenoid
9	09373	3	Bolt-Coach	28:3	111-6838	1	Valva-Solenoid, Internal Relief
11	09441	12	Nut-Hex, NI	28:4	111-6839	1	Line Body
12	09362	4	Screw-HH	28:5	110-6316	1	Seal Kit
13	10-06-035	2	Seal-Dowty	29	10-06-030	2	Seal-Dowty
14	10-06-033	2	Seal-Dowty	30	10-06-085	2	Adaptor
16	03162	2	Screw-HH	31	ZDH1F050U	2	Setscrew
17	09368	7	Screw-HH	32	09472	4	Washer-Plain
18	03469	2	Washer-Spring	33	09544	2	Nut-Nyloc
19	09475	18	Washer	34	994626	1	Adaptor-BSPP ●
20	09472	4	Washer-Plain	35	134-0449-03	1	Bracket-Filter
21	09474	4	Washer-Spring				

● Not illustrated

Cutter Component Assembly

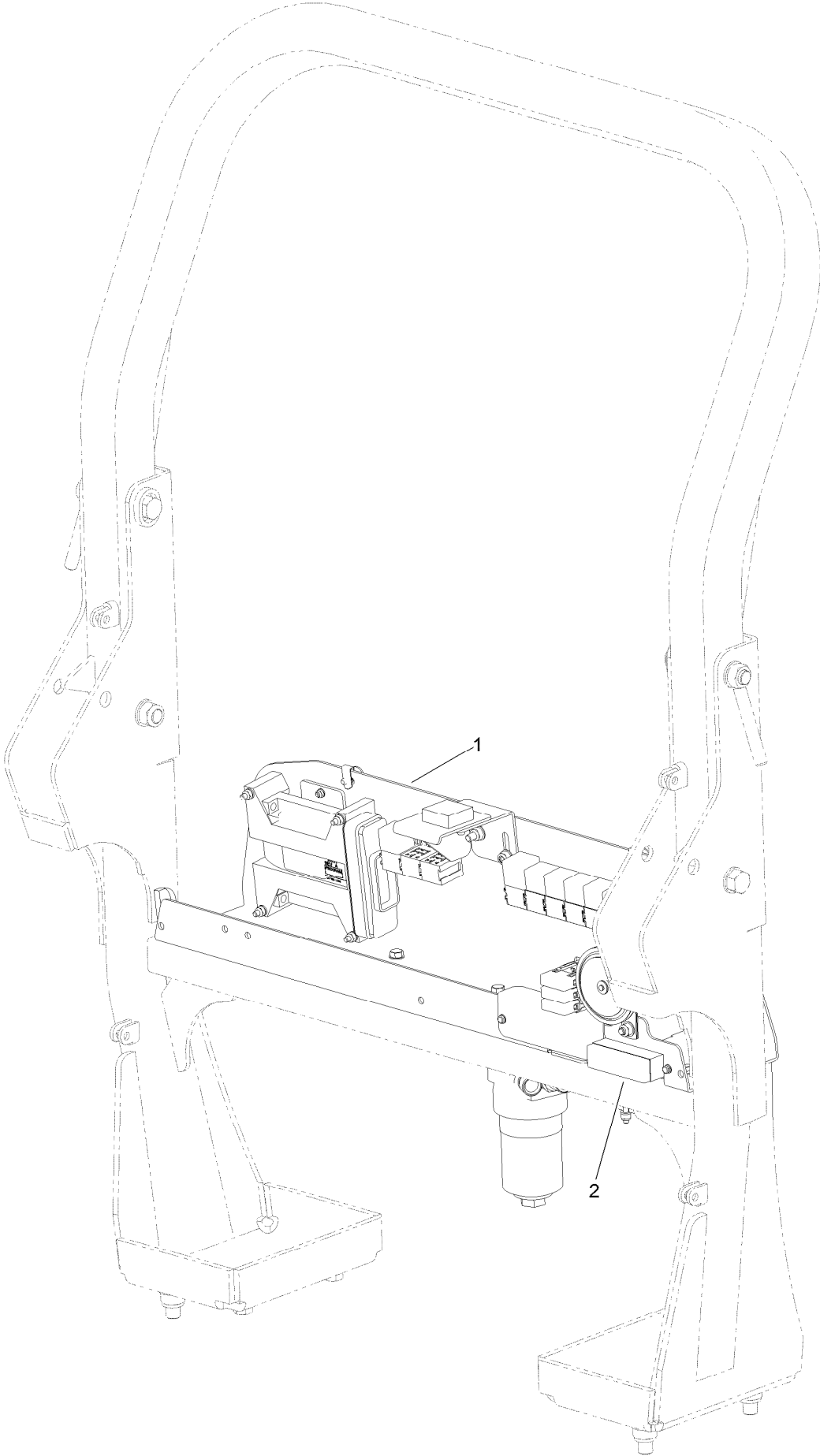


Cutter Component Assembly (continued)

<i>Ref.</i>	<i>Part Number</i>	<i>Qty.</i>	<i>Description</i>	<i>Ref.</i>	<i>Part Number</i>	<i>Qty.</i>	<i>Description</i>
1	63-06-104	6	Adaptor-BSP	17	ZDH1E016U	12	Screw-HH
1:1	63-06-111	1	Seal-O Ring	18	876049	6	Spacer-Deflector
2	10-06-085	3	Adaptor	19	09479	30	Washer-Plain
3	ZBK1J055U	6	Bolt-CARR	20	09470	24	Washer
4	876041	3	Bracket-Deflector, LH	21	HY922101	1	Spanner-Adjuster, Cutterhead ●
5	876042	3	Bracket-Deflector, RH	23	111-3927	2	Boss-Adjuster
7	25-06-066	3	Elbow-BSP	24	111-7649	1	Shield ASM
8	876086W	1	Guard-HOC, LH	24:1	111-7265-03	1	Deflector-Grass, Cutter (RH)
9	876087W	1	Guard-HOC, RH	24:2	111-6870	1	Panel-Rubber
10	15-11-003	4	Bolt-CARR	24:3	111-6871-03	1	Retainer
11	111-7445	2	HYD CW Motor ASM	24:4	09320	7	Rivet
11:1	111-8146	1	Seal Kit	25	111-7648	1	Shield ASM
11:2	107-7821	1	Valve-Anticavitation ●	25:1	111-7266-03	1	Deflector-Grass, Cutter (LH)
12	111-7446	1	HYD CCW Motor ASM	25:2	111-6870	1	Panel-Rubber
12:1	111-8146	1	Seal Kit	25:3	111-6871-03	1	Retainer
12:2	107-7821	1	Valve-Anticavitation ●	25:4	09320	7	Rivet
13	ZNN1J000U	10	Nut-Hex, NI	26	876040W	1	Deflector-Rear
14	09430	12	Nut-Nyloc				
15	111-7462-03	2	Guard-Motor				
16	10-06-030	3	Seal-Dowty				

● Not illustrated

Loom Kit

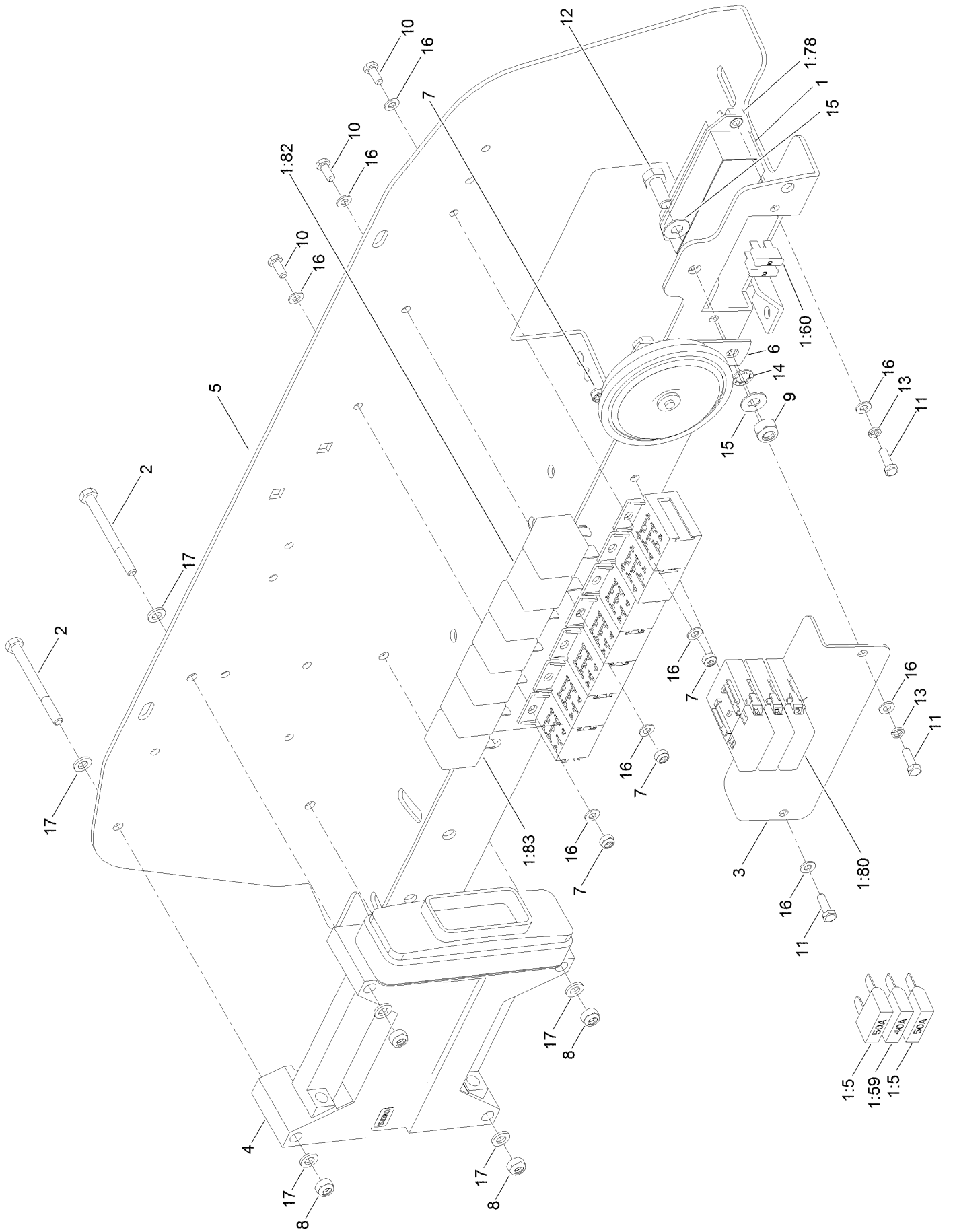


Loom Kit (continued)

<i>Ref.</i>	<i>Part Number</i>	<i>Qty.</i>	<i>Description</i>
1	111-6820	1	Loom Kit
2	70-09-151	1	Fuse-15A
99	HY3966	30	Tie-Cable ●

● Not illustrated

Electrical Assembly

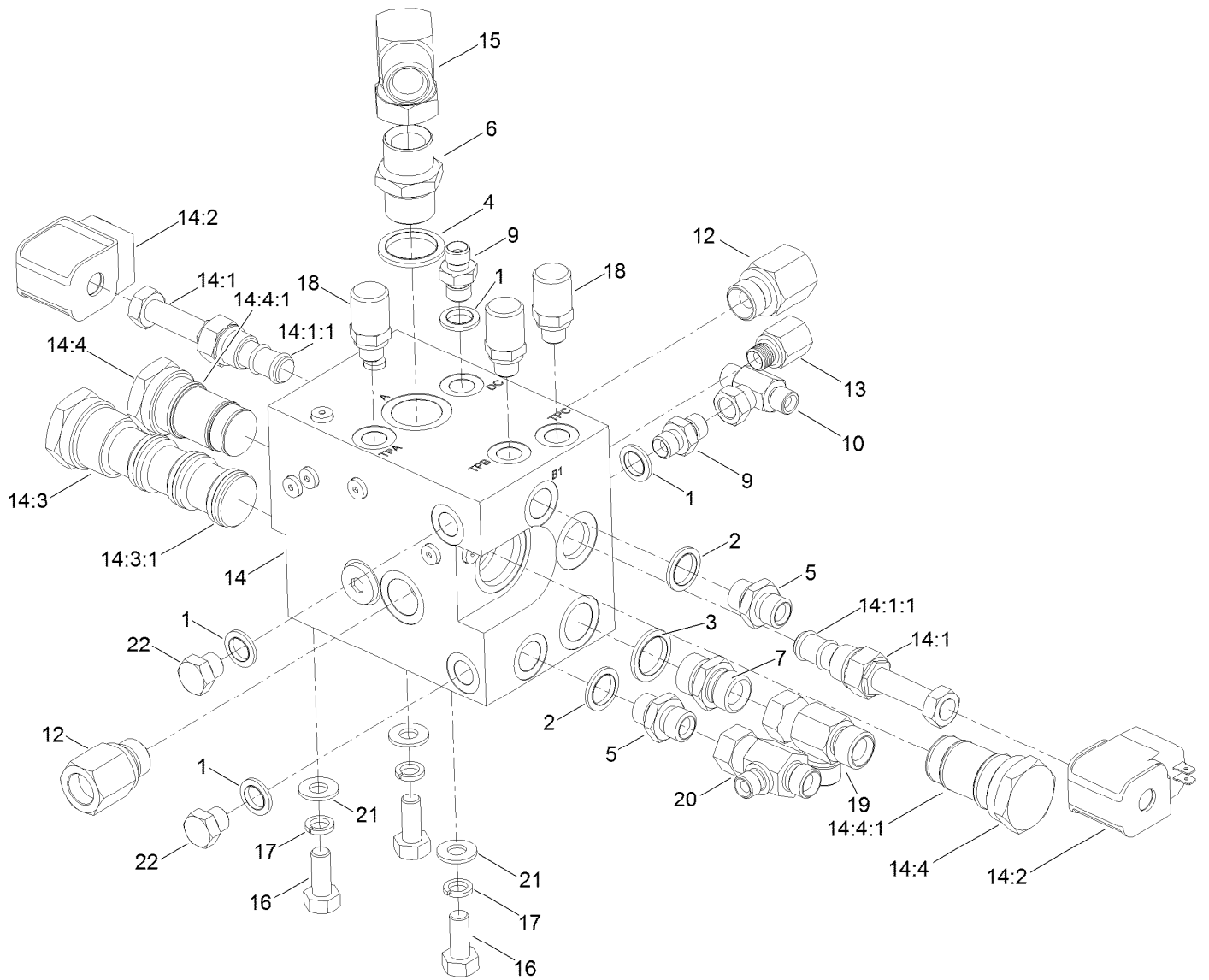


Electrical Assembly (continued)

<i>Ref.</i>	<i>Part Number</i>	<i>Qty.</i>	<i>Description</i>	<i>Ref.</i>	<i>Part Number</i>	<i>Qty.</i>	<i>Description</i>
1	111-9115	1	Harness-Main	6	70-09-108	1	Horn ASM
1:5	995714	2	Fuse-50A	7	09430	4	Nut-Nyloc
1:34	111-0348	2	Diode ●	8	09438	4	Nut-Nyloc
1:59	111-2898	1	Fuse-40A	9	09441	1	Nut-Hex, NI
1:60	70-09-026	3	Fuse-10A	10	ZDH1E012U	3	Screw-HH
1:76	111-0360	6	Base-Relay ●	11	ZDH1E016U	3	Screw-HH
1:77	111-0361	2	Base-Relay, 70A ●	12	09368	1	Screw-HH
1:78	70-09-096	1	Box-Fuse	13	09644	2	Washer-Spring
1:79	111-0303	1	Bracket-Maxifuse ●	14	09476	2	Washer-Shakeproof
1:80	111-0302	3	Cover	15	09475	2	Washer
1:81	111-0283	3	Holder-Maxifuse ●	16	09470	10	Washer
1:82	924625	2	Relay-70A	17	09472	8	Washer-Plain
1:83	111-0336	5	Relay-30A	99	950868	2	Diode Assembly
2	09703	4	Bolt-HH	99	111-6751	1	Harness-Solenoid, Reverse ●
3	111-4842-03	1	Bracket-Fuse	99	111-6745	1	Harness-Manifold, Cutters ●
4	111-8006	1	Controller ASM	99	111-3663	1	Heat Shrink ●
5	134-0435-03	1	Plate-Base, Electrical				

● Not illustrated

Transmission Manifold Assembly

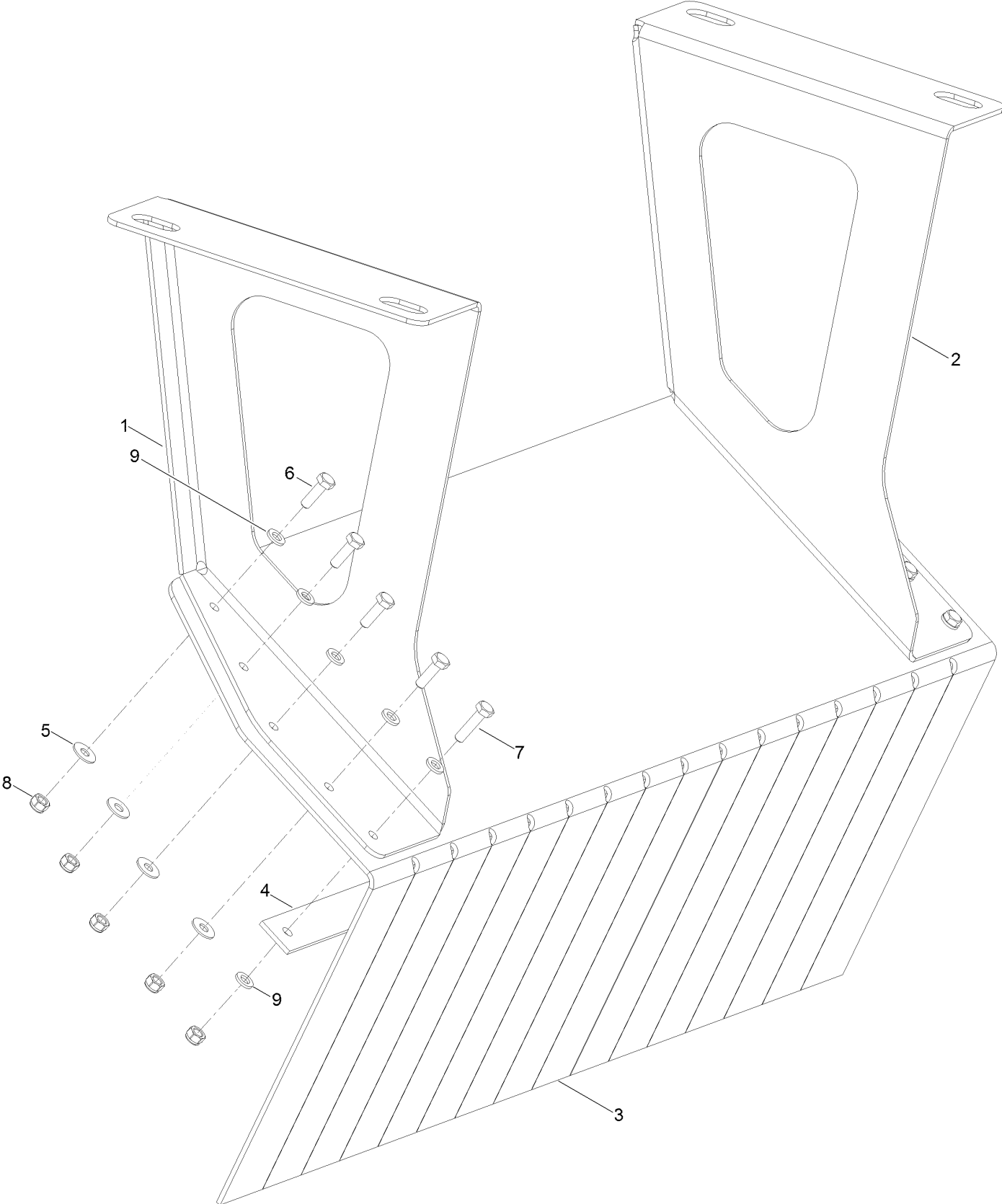


Transmission Manifold Assembly (continued)

<i>Ref.</i>	<i>Part Number</i>	<i>Qty.</i>	<i>Description</i>	<i>Ref.</i>	<i>Part Number</i>	<i>Qty.</i>	<i>Description</i>
1	10-06-030	4	Seal-Dowty	14:3:1	111-7188	1	Seal Kit ●
2	10-06-031	2	Seal-Dowty	14:4	111-4467	2	Valve-Diverter
3	10-06-032	1	Seal-Dowty	14:4:1	134-0259	1	Seal Kit ●
4	10-06-033	1	Seal-Dowty	14:7	106-1024	10	Plug-Leak, Zero ●
5	10-06-042	2	Adaptor-BSPP	14:8	106-1027	1	Plug ●
6	10-06-044	1	Adaptor-BSP	14:99	910629	1	Valve-Shuttle ●
7	10-06-078	1	Adaptor-BSPP	14:99:1	910635	1	Seal Kit ●
9	10-06-085	2	Adaptor	15	111-4443	1	Elbow-BSP
10	60-06-011	1	Tee-BSP	16	09395	3	Screw-HH
12	111-3529	2	Adaptor	17	09480	3	Washer-Lock
13	111-3538	1	Adaptor	18	910615	3	Point-BSPP
14	111-3993	1	Manifold-Front, Transmission	19	953732	1	Tee-BSP
14:1	111-3533	2	Valve-Solenoid	20	953806	1	Tee
14:1:1	134-0258	1	Seal Kit ●	21	ZWQ1J000U	3	Washer-Plain
14:2	910627	2	Coil-Solenoid	22	30-06-200	2	Plug-HYD
14:3	111-4466	1	Valve-Flow, Divider/Combiner				

● Not illustrated

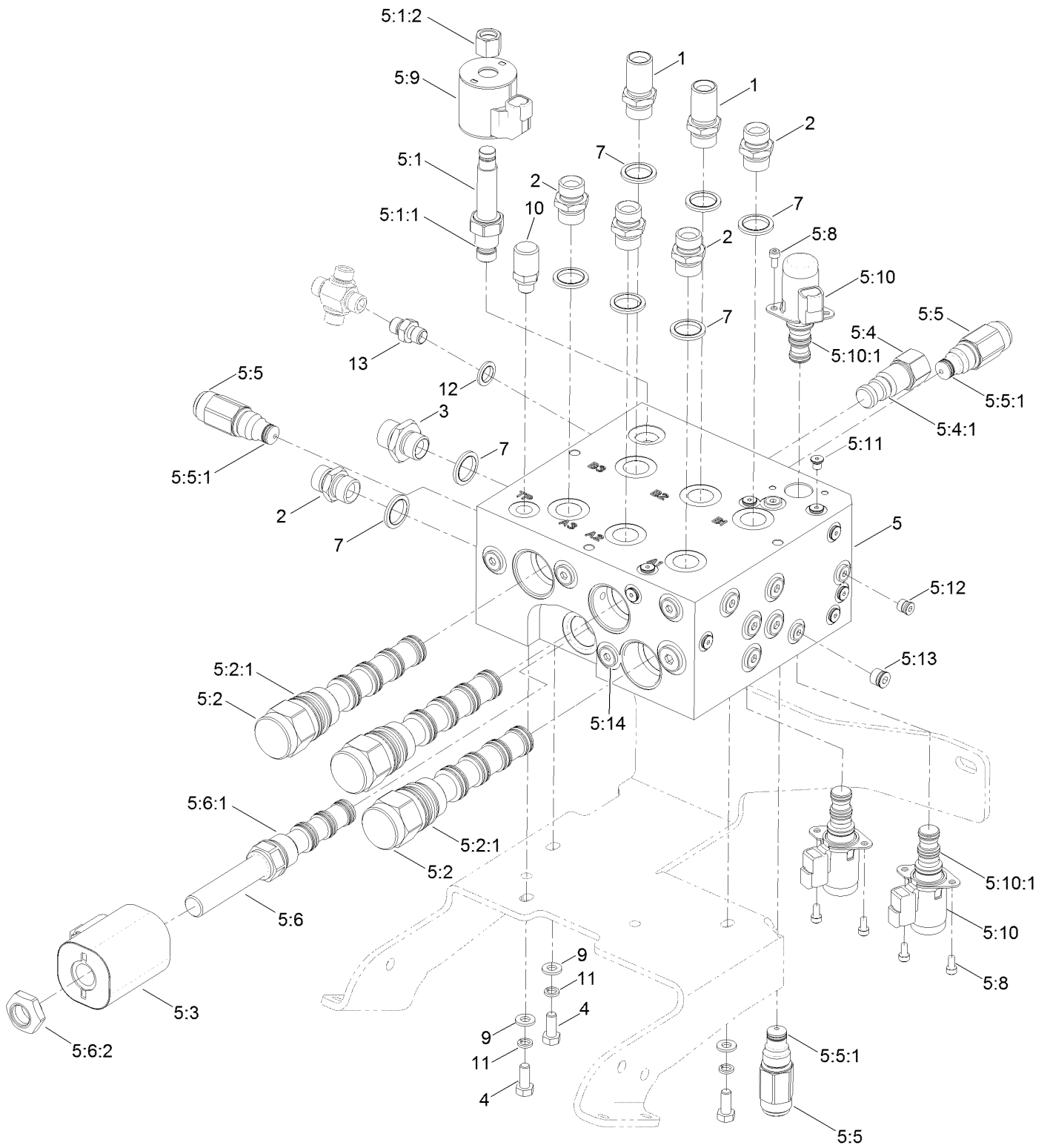
Center Flap Assembly



Center Flap Assembly (continued)

<i>Ref.</i>	<i>Part Number</i>	<i>Qty.</i>	<i>Description</i>	<i>Ref.</i>	<i>Part Number</i>	<i>Qty.</i>	<i>Description</i>
1	111-9473-03	1	Mount-Flap, LH	6	09363	8	Screw-HH
2	111-9474-03	1	Mount-Flap, RH	7	09364	2	Screw-HH
3	111-6173	1	Deflector-Chassis, Wide	8	09438	10	Nut-Nyloc
4	111-7477-03	1	Strap-Deflector, Chassis	9	09472	12	Washer-Plain
5	09262	8	Washer				

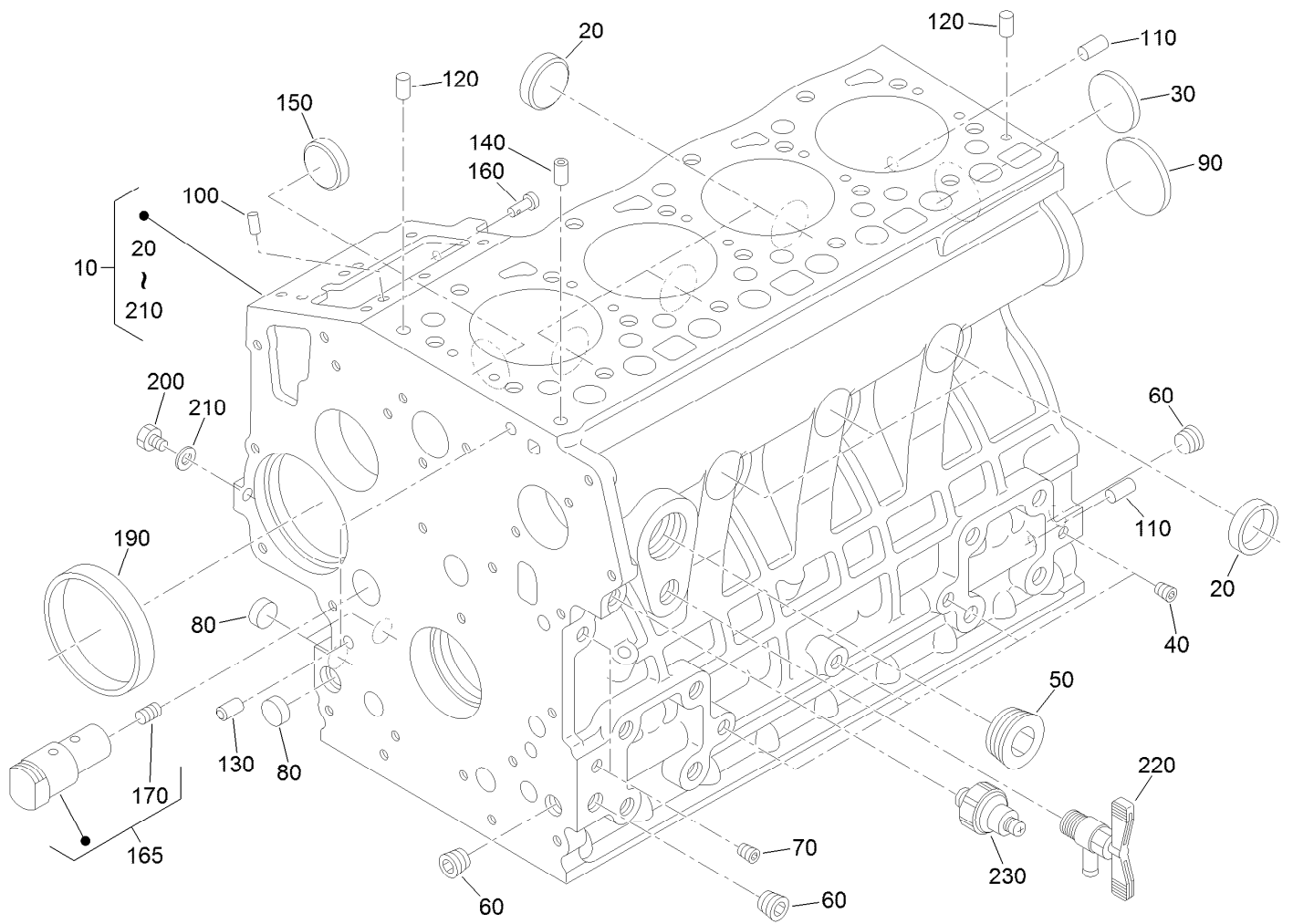
Cutter Control Manifold Assembly



Cutter Control Manifold Assembly (continued)

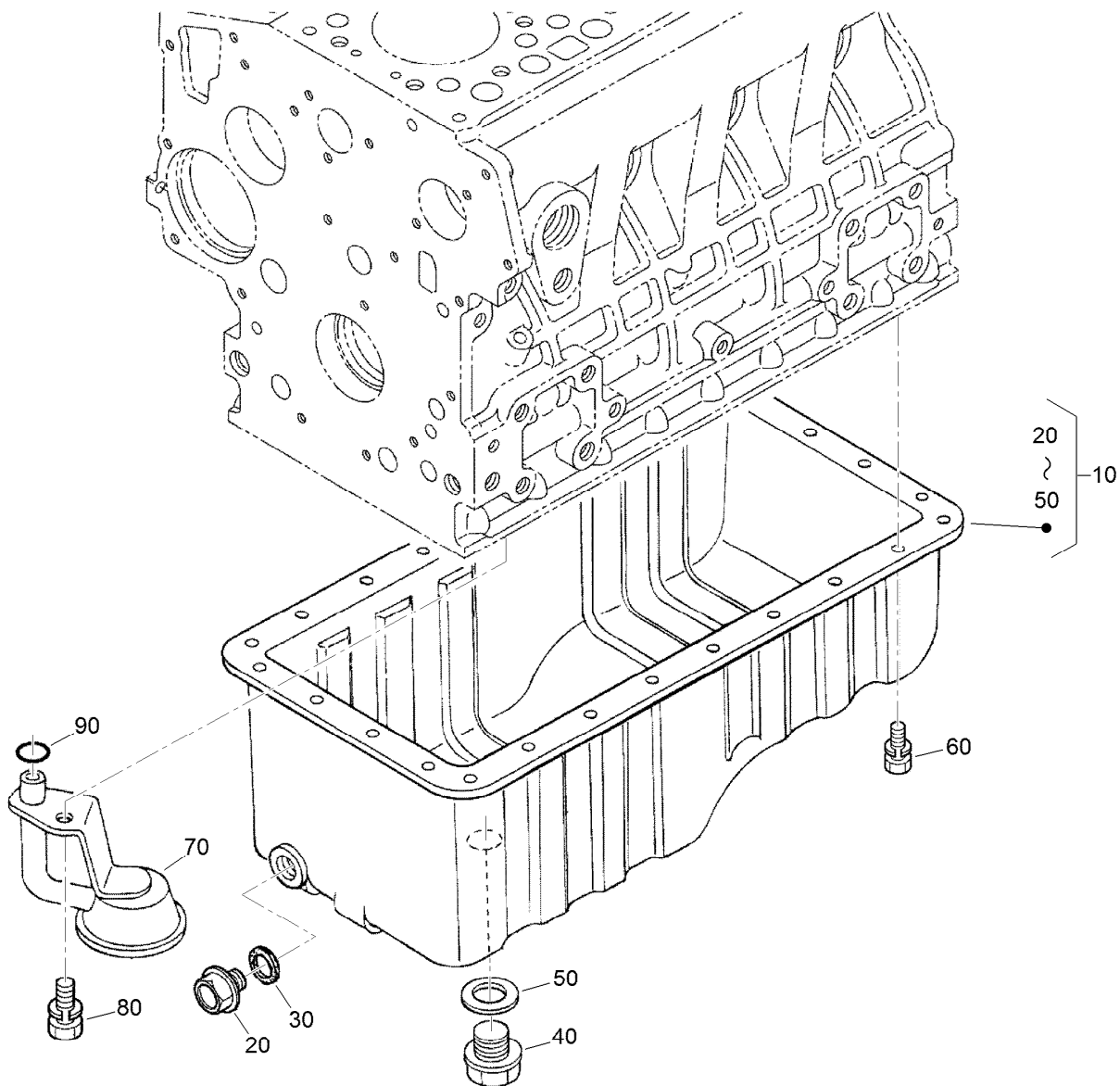
<i>Ref.</i>	<i>Part Number</i>	<i>Qty.</i>	<i>Description</i>	<i>Ref.</i>	<i>Part Number</i>	<i>Qty.</i>	<i>Description</i>
1	09-06-216	2	Adaptor-Bulkhead	5:6:1	111-6836	1	Seal Kit
2	10-06-078	5	Adaptor-BSPP	5:6:2	111-6840	1	Coil-Nut
3	950726	1	Adaptor-BSP	5:8	115-8733	6	Screw-HSH
4	09368	3	Screw-HH	5:9	119-4619	1	Coil-Solenoid
5	111-6597	1	Cutters Manifold ASM	5:10	125-7554	3	Valve-Solenoid
5:1	111-6825	1	Pressure-Proportional, Relief Valve	5:10:1	125-7561	1	Seal Kit ●
5:1:1	111-6826	1	Seal Kit ●	5:11	106-1024	14	Plug-Leak, Zero
5:1:2	130-8180	1	Nut-Coil (9/16-24 Unef-2B)	5:12	106-1025	5	Plug-HYD
5:2	111-6829	3	Valve-Spool, Piloted	5:13	106-1026	14	Plug-HYD
5:2:1	111-6830	1	Seal Kit ●	5:14	106-1027	2	Plug
5:3	111-6831	1	Coil-12V	7	10-06-032	8	Seal-Dowty
5:4	111-6832	1	Logic Element-Vented	9	ZWP1H000U	3	Washer-Plain
5:4:1	111-6827	1	Seal Kit ●	10	910615	1	Point-BSPP
5:5	111-6833	3	Relief Valve	11	03469	3	Washer-Spring
5:5:1	111-6828	1	Seal Kit	12	10-06-030	1	Seal-Dowty
5:6	111-6835	1	Valve-Solenoid	13	10-06-085	1	Adaptor

● Not illustrated



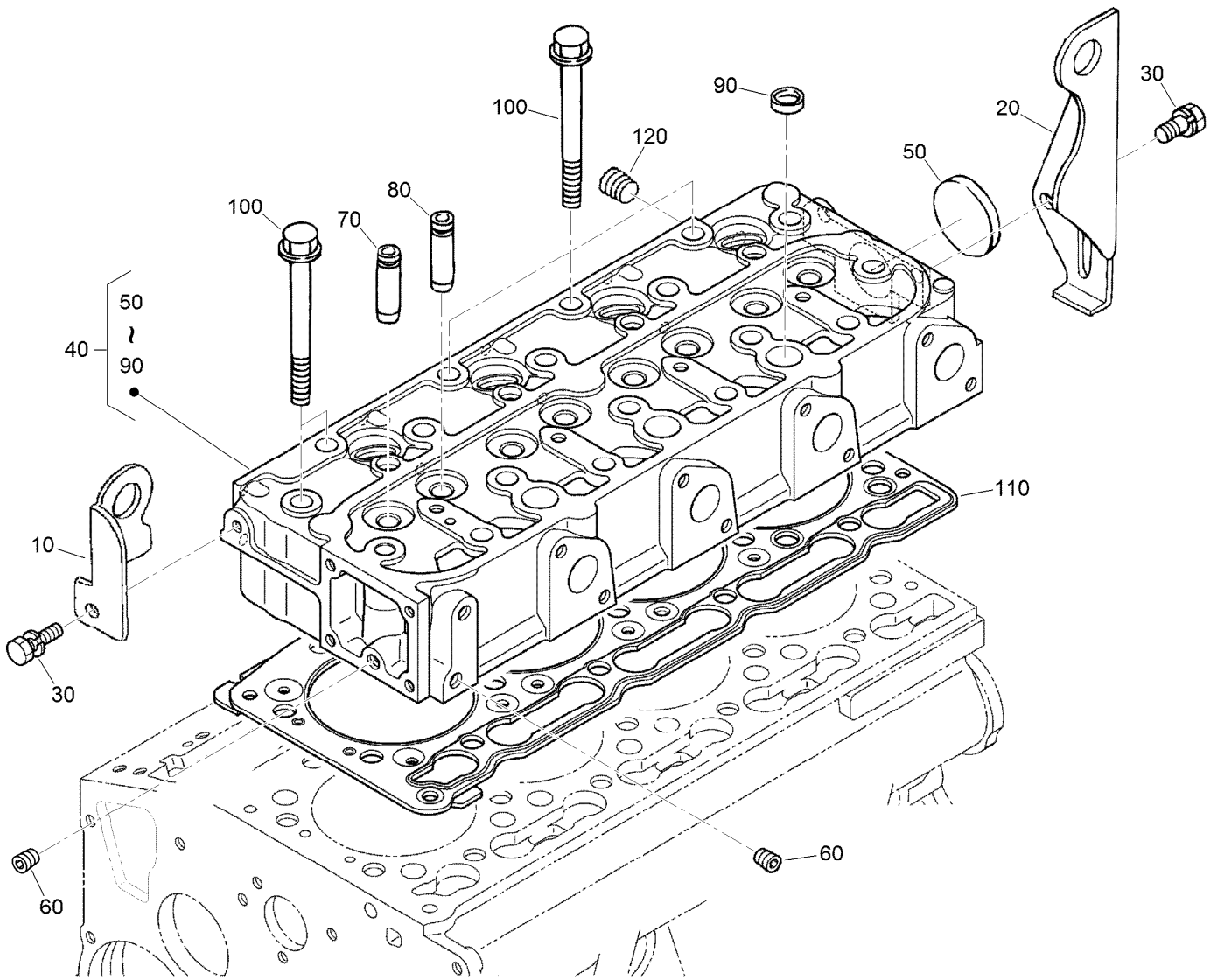
Crankcase Assembly

<i>Ref.</i>	<i>Part Number</i>	<i>Qty.</i>	<i>Description</i>	<i>Ref.</i>	<i>Part Number</i>	<i>Qty.</i>	<i>Description</i>
10	120-2558	1	Crankcase ASM	130	98-9387	2	Pin-Pipe
20	98-9398	6	Cap-Sealing	140	98-9539	1	Pin-Pipe
30	98-7539	1	Cap-Sealing	150	98-9599	1	Plug
40	98-9687	4	Plug	160	105-3796	1	Pin-Spring, Start
50	105-3779	1	Plug	165	130-1237	1	Idler Shaft ASM
60	98-9597	3	Plug	170	98-9675	1	Plug
70	98-7487	2	Plug	190	98-9656	1	Bushing-Governor, Gear
80	98-9379	3	Plug-Expansion	200	120-2559	1	Plug
90	98-9668	1	Plug-Expansion	210	98-7428	1	Gasket
100	98-9375	2	Pin-Straight	220	120-3121	1	Draincock ASM
110	98-9377	2	Pin-Straight	230	98-7764	1	Switch-Oil
120	98-9376	2	Pin-Straight				



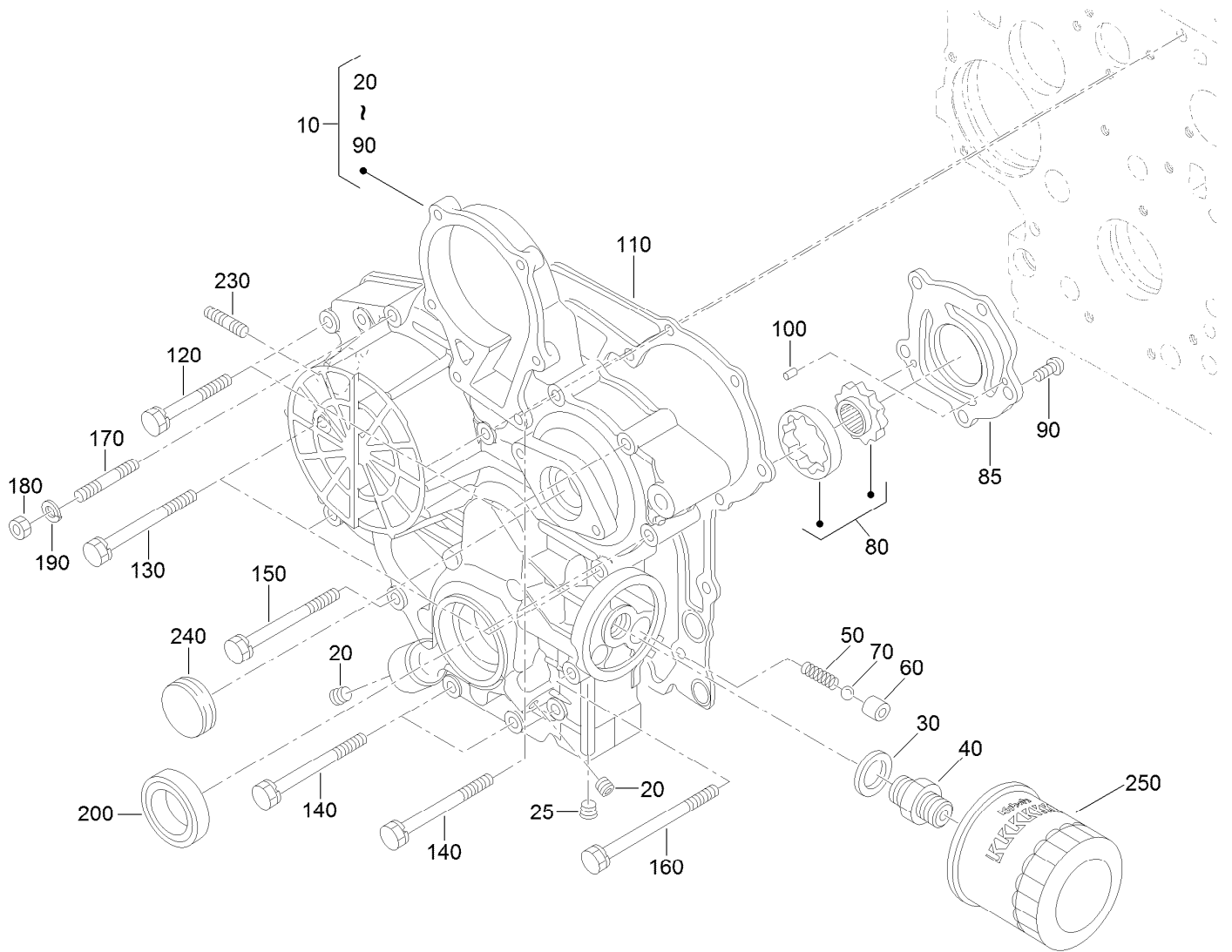
Oil Pan and Oil Pump Assembly

Ref.	Part Number	Qty.	Description
10	130-1283	1	Oil Pan Kit
20	114-8151	1	Plug-Drain
30	98-7524	1	Gasket
40	105-3703	1	Plug-Drain
50	110-9715	1	Gasket-Pan, Oil
60	98-9351	26	Bolt
70	115-4116	1	Filter-Oil
80	98-7526	1	Bolt
90	105-3776	1	O-Ring



Cylinder Head Assembly

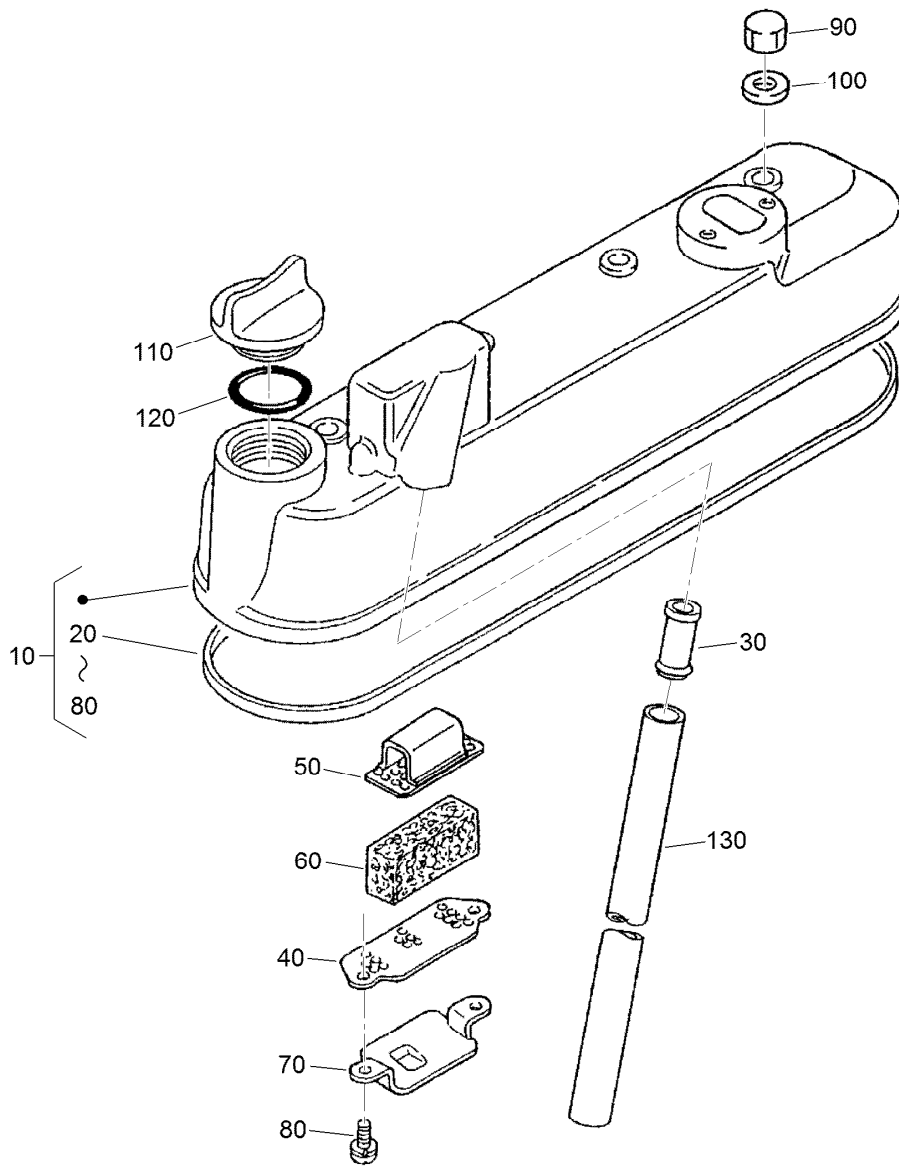
Ref.	Part Number	Qty.	Description
10	130-1231	1	Hook-Engine
20	98-9478	1	Hook-Engine
30	100-9195	2	Bolt
40	130-1382	1	*obs* Cylinder Head ASM
50	105-3705	1	Cap-Sealing
60	98-9687	2	Plug
70	107-9066	4	Guide-Valve, Inlet
80	107-9067	4	Guide-Valve, Exhaust
90	98-9389	3	Cap-Sealing
100	98-9479	18	Bolt-Head, Cylinder
110	127-0434	1	Gasket-Head, Cylinder
120	98-9444	1	Plug



Gear Case and Oil Filter Cartridge Assembly

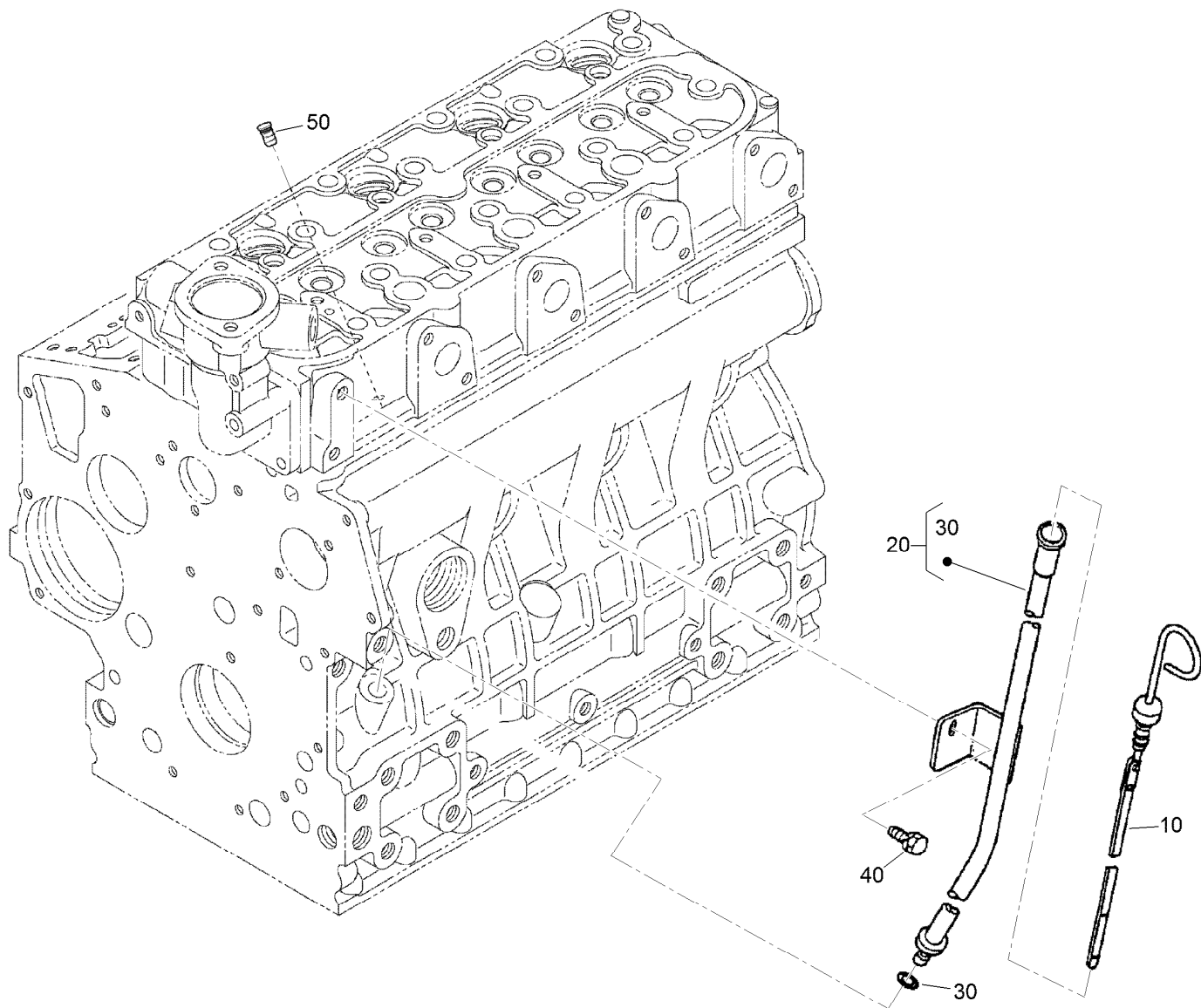
Ref.	Part Number	Qty.	Description
10	130-1243	1	*obs* Gear Case ASM
20	98-9598	2	Plug
25	98-7487	1	Plug
30	98-7562	1	Washer-Plain
40	98-9388	1	Joint-Pipe
50	130-1511	1	Spring
60	130-1510	1	Valve-Relief
70	98-9380	1	Ball
80	130-1508	1	Rotor ASM
85	130-1509	1	Cover-Pump, Oil
90	130-1164	5	Screw-Binding
100	107-9072	2	Pin-Straight
110	98-9633	1	Gasket-Case, Gear

Ref.	Part Number	Qty.	Description
120	100-1765	3	Bolt
130	125-9063	4	Bolt-Sems
140	98-9356	4	Bolt
150	107-9074	1	Bolt
160	98-9586	1	Bolt
170	105-3709	1	Stud
180	100-2203	1	Nut-Flange
190	98-7699	1	Washer-Spring
200	119-8038	1	Seal-Oil
230	105-3710	2	Stud
240	98-9641	1	Cover-Case, Gear
250	108-3841	1	Filter-Oil



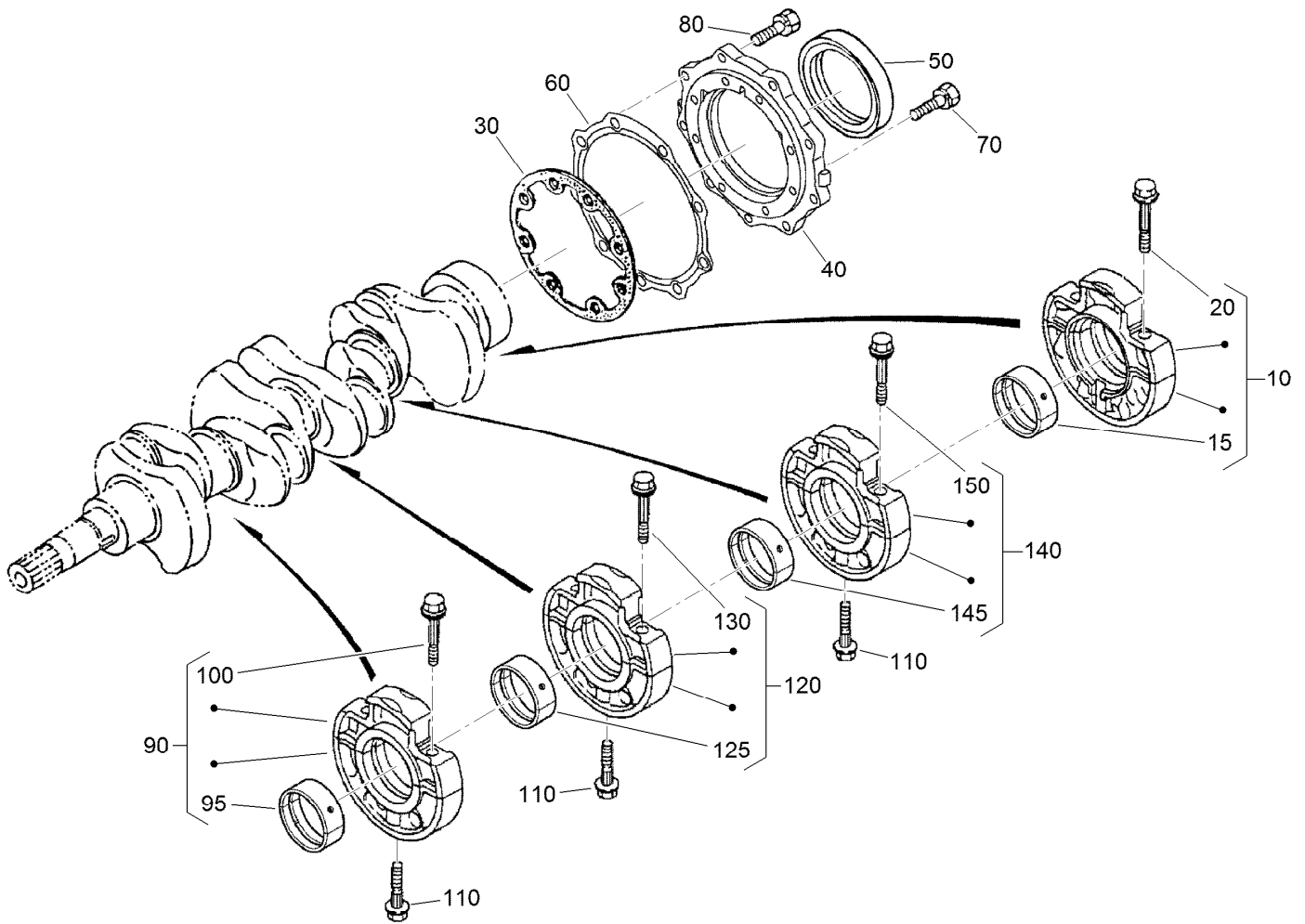
Cylinder Head Cover Assembly

Ref.	Part Number	Qty.	Description
10	105-3711	1	Cylinder Head Cover ASM
20	105-3712	1	Gasket-Cover, Head
30	98-9492	1	Joint-Pipe, Breather
40	98-9488	1	Plate-Element, Breather
50	98-9489	1	Plate-Element, Breather
60	98-9493	1	Element-Breather
70	98-9490	1	Shield-Oil, Breather
80	98-9364	2	Screw (With Washer)
90	98-9455	4	Nut-Cap
100	98-9454	4	Gasket
110	107-9075	1	Plug-Filler, Oil
120	99-3446	1	O-Ring
130	98-9491	1	Pipe-Breather



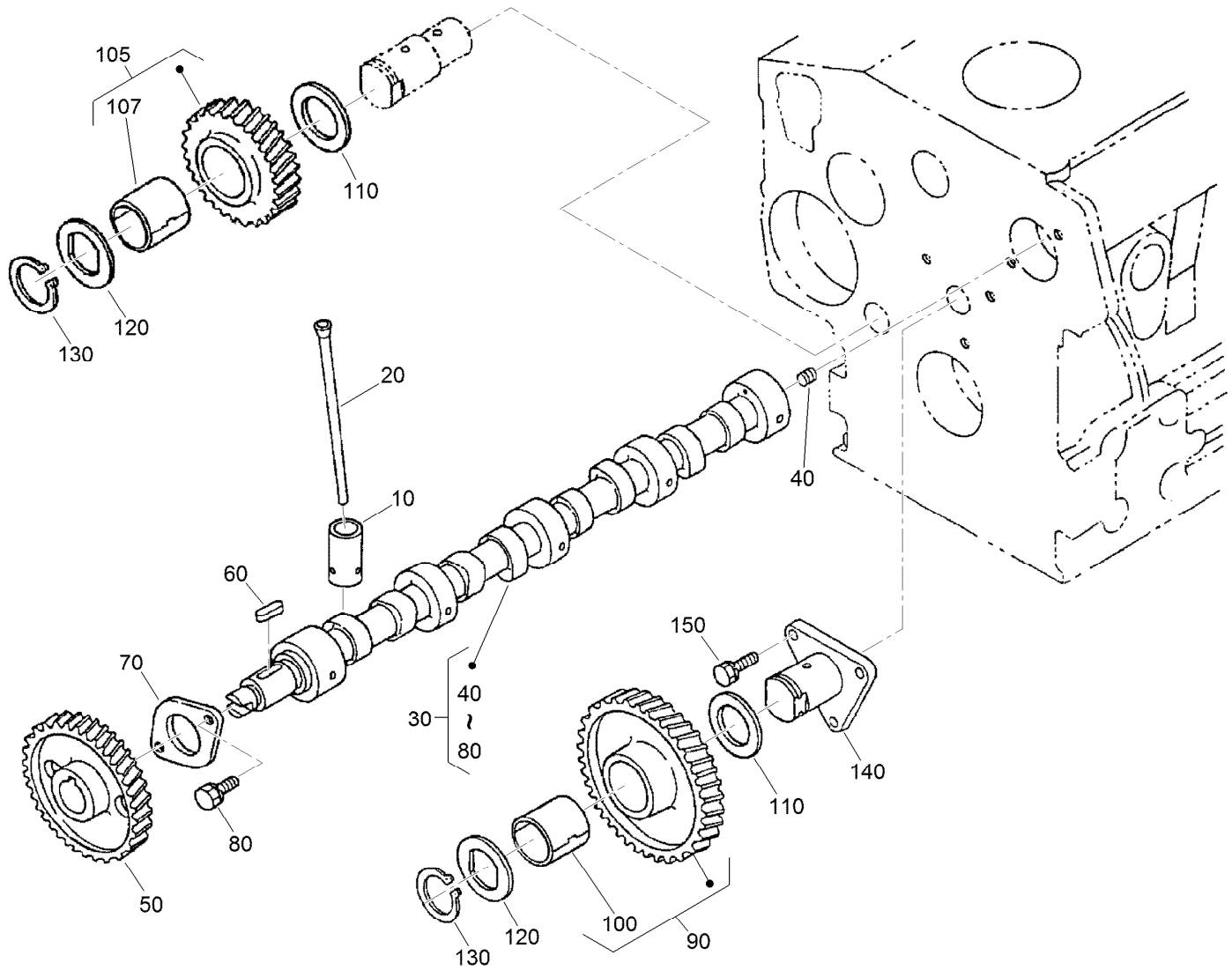
Dipstick and Guide Assembly

<i>Ref.</i>	<i>Part Number</i>	<i>Qty.</i>	<i>Description</i>
10	120-3124	1	Gauge-Oil
20	98-9672	1	Oil Gauge Guide ASM
30	98-9722	1	O-Ring
40	100-9195	1	Bolt
50	110-3720	1	Plug-Gauge, Oil



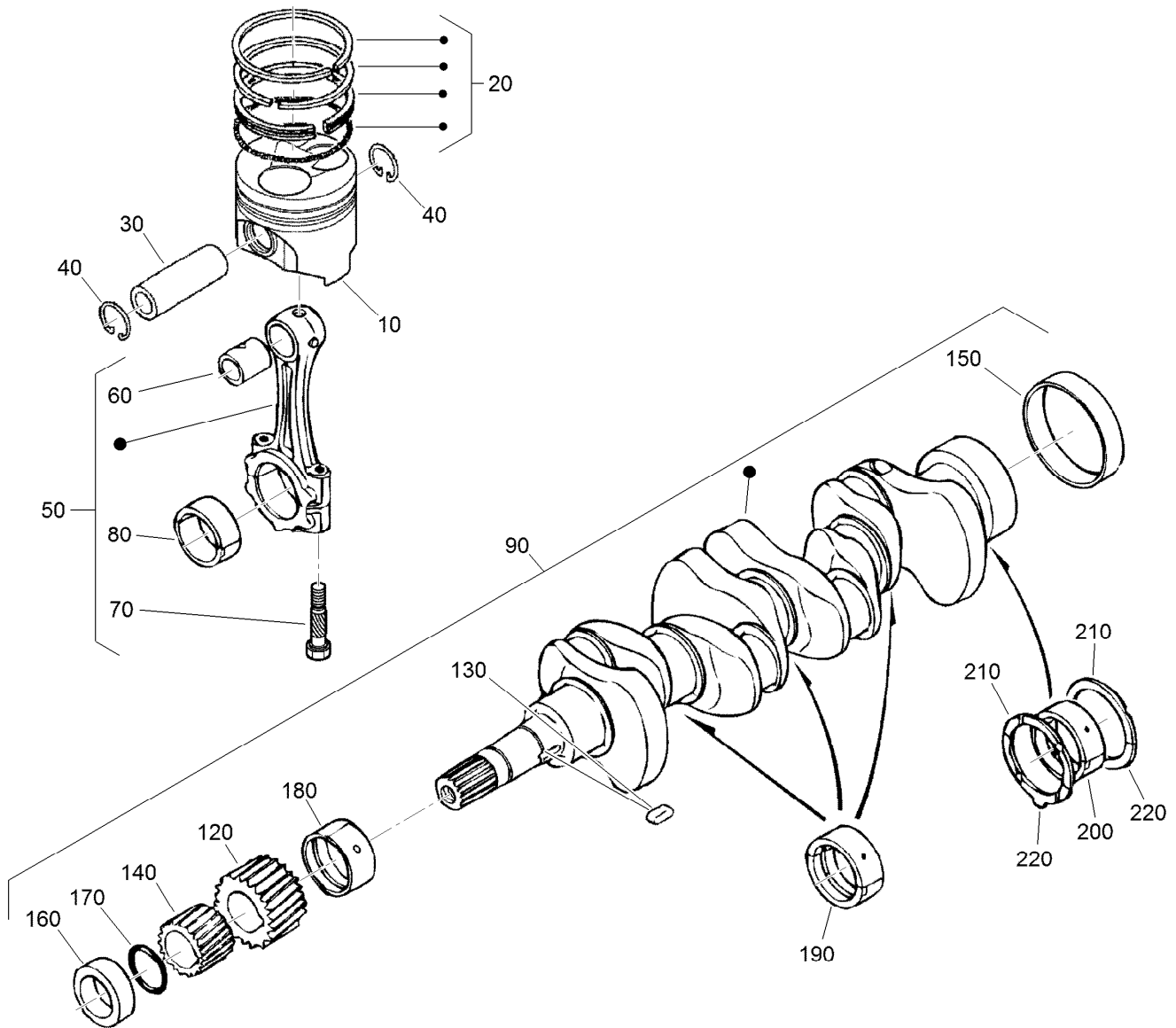
Main Bearing Case Assembly

<i>Ref.</i>	<i>Part Number</i>	<i>Qty.</i>	<i>Description</i>	<i>Ref.</i>	<i>Part Number</i>	<i>Qty.</i>	<i>Description</i>
10	112-7026	1	Wheel Bearing Case ASM	95	98-9524	1	Metal-Crankshaft (STD Set)
15	115-4121	1	Metal-Crankshaft (STD)	100	98-9484	2	Bolt-Case, Bearing
20	98-9484	2	Bolt-Case, Bearing	110	98-9485	3	Bolt-Case, Bearing
30	127-0440	1	Gasket-Case, Bearing	120	115-4107	1	Main Bearing Case ASM
40	112-7046	1	Cover-Case, Bearing	125	98-9524	1	Metal-Crankshaft (STD Set)
50	112-0180	1	Seal-Oil	130	98-9484	2	Bolt-Case, Bearing
60	112-7037	1	Gasket-Cover, Case	140	130-1265	1	Main Bearing Case ASM
70	127-0441	8	Bolt	145	98-9524	1	Metal-Crankshaft (STD Set)
80	127-0442	9	Bolt	150	98-9484	2	Bolt-Case, Bearing
90	115-4106	1	Main Bearing Case ASM				



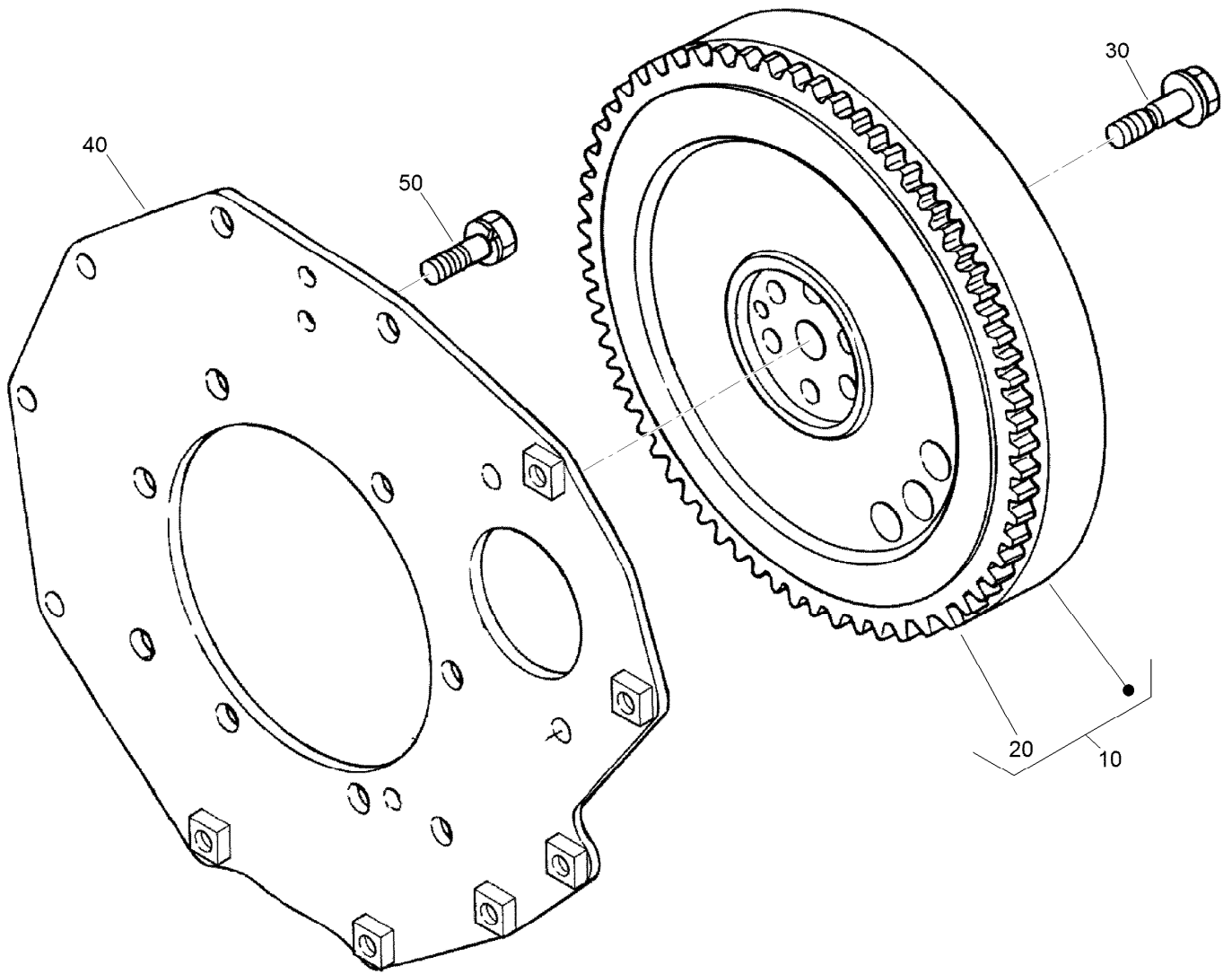
Camshaft and Idle Gear Shaft Assembly

<i>Ref.</i>	<i>Part Number</i>	<i>Qty.</i>	<i>Description</i>	<i>Ref.</i>	<i>Part Number</i>	<i>Qty.</i>	<i>Description</i>
10	112-0185	8	Tappet	100	117-7585	1	Bushing-Gear, Idle
20	127-0421	8	Rod-Push	105	130-1259	1	Idler Gear ASM
30	120-3116	1	Camshaft ASM	107	117-7585	1	Bushing-Gear, Idle
40	110-3729	1	Ball	110	98-9535	1	Collar-Gear, Idle
50	98-9512	1	Gear-Cam	120	98-9536	1	Collar-Gear, Idle
60	98-9378	1	Key-Feather	130	98-9534	1	Circlip-Gear, Idle
70	98-9510	1	Stopper-Camshaft	140	98-9533	1	Shaft-Gear, Idle
80	98-7692	2	Bolt	150	98-7692	3	Bolt
90	117-7584	1	Idler Gear ASM				



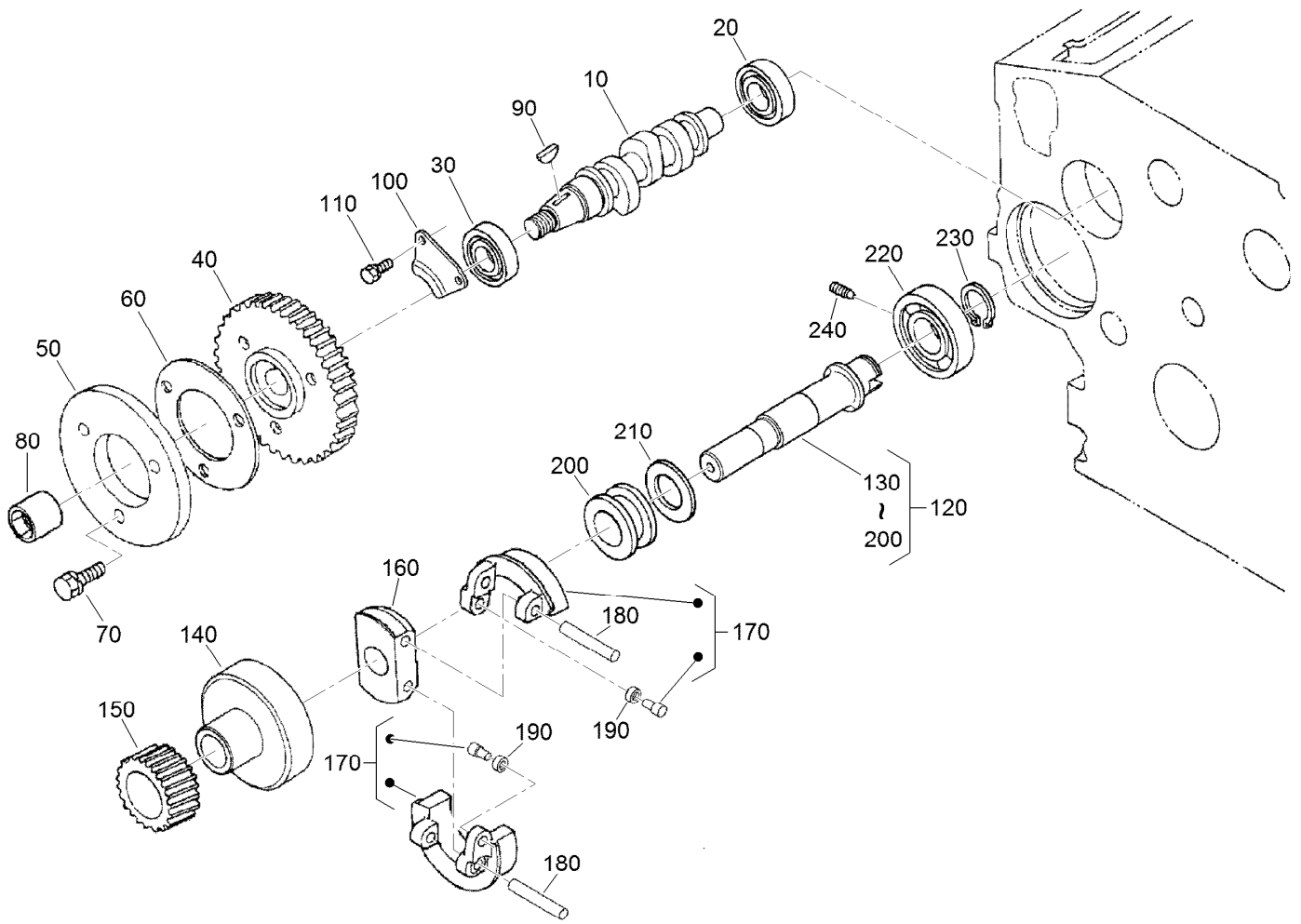
Piston and Crankshaft Assembly

<i>Ref.</i>	<i>Part Number</i>	<i>Qty.</i>	<i>Description</i>	<i>Ref.</i>	<i>Part Number</i>	<i>Qty.</i>	<i>Description</i>
10	112-8404	4	Piston (STD)	160	127-0444	1	Collar-Crankshaft
10	112-8414	4	Piston (+0.5Mm)	170	105-3783	1	O-Ring
20	98-9551	4	Piston Ring ASM (STD)	180	112-7005	1	Bearing-Main (STD)
20	108-1404	4	Piston Ring ASM (+0.5Mm)	180	98-9528	1	Bearing-Main (-0.2Mm)
30	98-9513	4	Pin-Piston	180	130-1274	1	Metal-Crankshaft (-0.40Mm)
40	98-9514	8	Circlip-Pin, Piston	190	98-9524	3	Metal-Crankshaft (STD Set)
50	117-7586	4	Connecting Rod ASM	190	127-0433	3	Metal-Crankshaft (-0.2Mm)
60	115-3014	4	Bushing-Pin, Piston	190	98-9531	3	Bearing-Main (0.4Mm)
70	98-9517	8	Bolt-Rod, Connecting	200	115-4121	1	Metal-Crankshaft (STD)
80	98-9553	4	Bearing-Rod (STD)	200	112-7039	1	Metal-Crankshaft (0.2Mm)
80	117-7587	4	Metal-Crankpin (-0.2Mm)	200	112-7040	1	Metal-Crankshaft (-0.4Mm)
80	117-7588	4	Metal-Crankpin (-0.4Mm)	210	98-9413	2	Bearing-Thrust (STD)
90	120-2561	1	Crankshaft ASM	210	127-0416	2	Metal-Side (+0.2Mm)
120	117-7561	1	Gear-Crankshaft	210	127-0417	2	Metal-Side (+0.40Mm)
130	98-9666	1	Key	220	98-9688	2	Bearing-Thrust (STD)
140	127-0445	1	Gear-Drive, Oil Pump	220	127-0437	2	Metal-Side (+0.2Mm)
150	98-9522	1	Sleeve-Crankshaft	220	127-0438	2	Metal-Side (+0.40Mm)



Flywheel Assembly

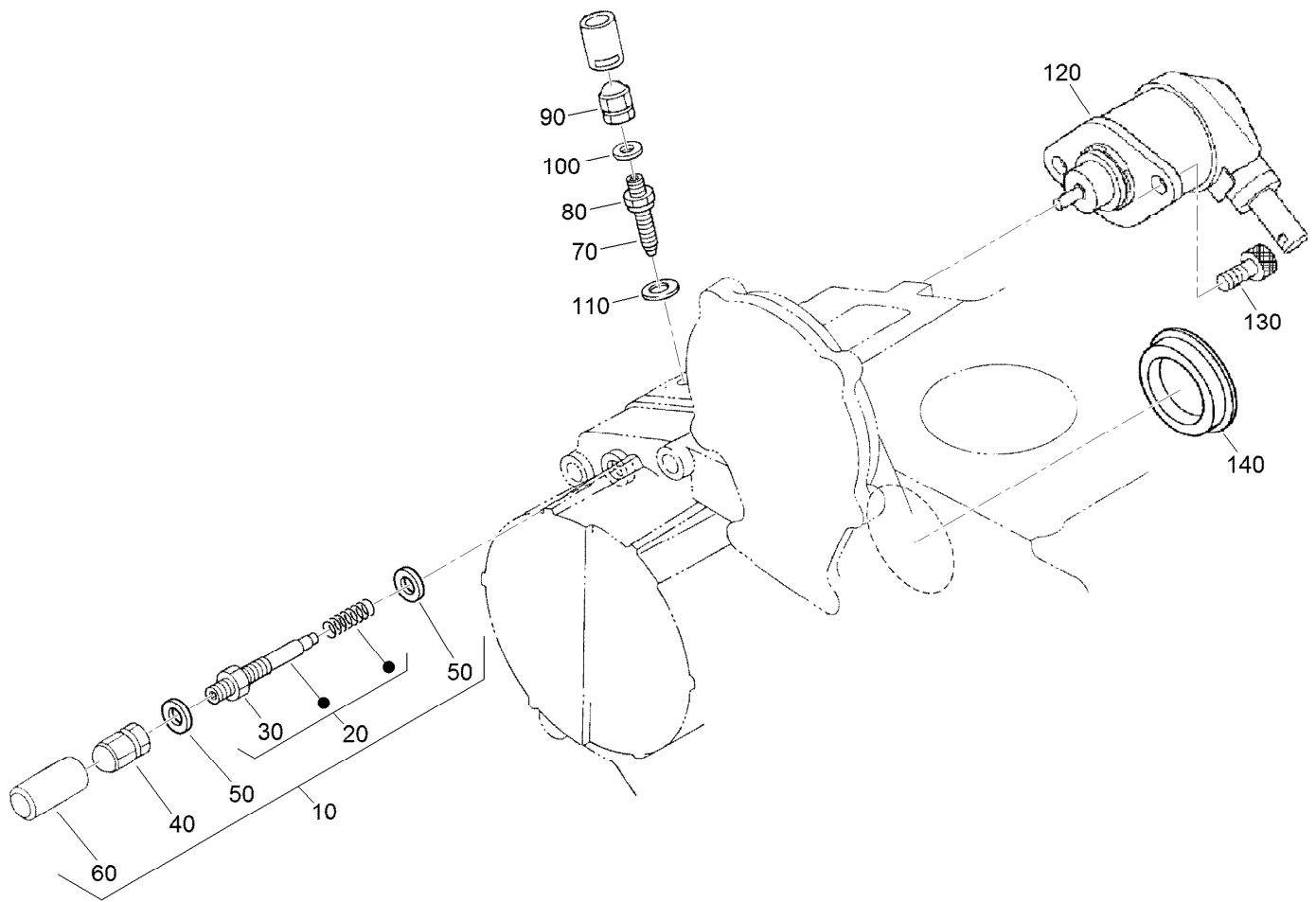
<i>Ref.</i>	<i>Part Number</i>	<i>Qty.</i>	<i>Description</i>
10	105-3721	1	Flywheel ASM
20	115-3015	1	Gear-Ring
30	98-9537	6	Bolt-Flywheel
40	98-9486	1	Plate-End, Rear
50	98-9392	8	Bolt



Fuel Camshaft and Governor Shaft Assembly

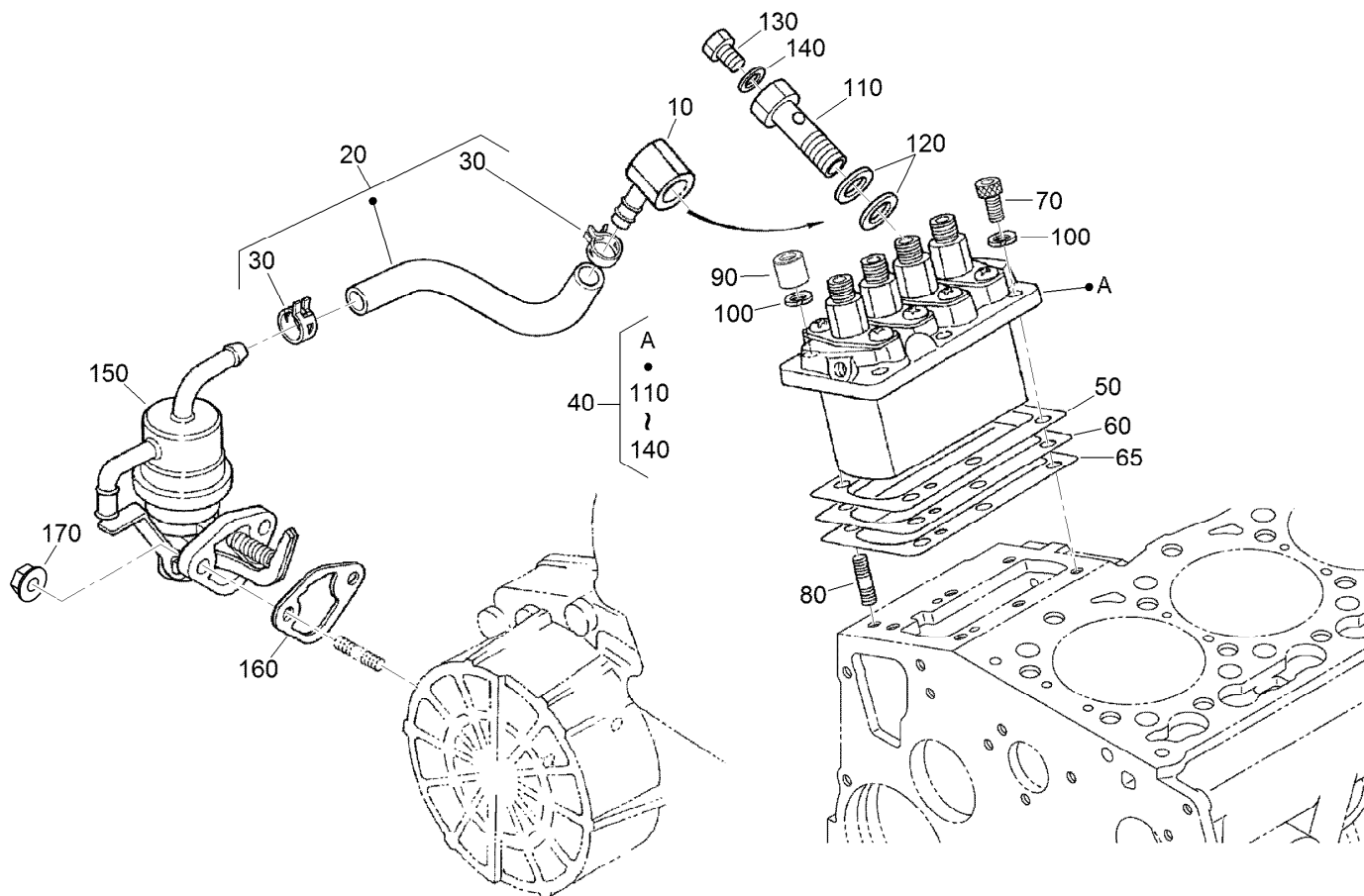
<i>Ref.</i>	<i>Part Number</i>	<i>Qty.</i>	<i>Description</i>
10	105-3723	1	Camshaft-Fuel
20	107-9077	1	Bearing-Ball
30	107-9078	1	Bearing-Ball
40	98-9669	1	Gear-Pump, Injection
50	130-1239	1	Cam-Fuel
60	98-9548	1	Washer
70	98-9350	3	Bolt
80	130-1512	1	Nut
90	98-9595	1	Key-Woodruff
100	98-9511	1	Stopper-Fuel, Camshaft
110	98-7692	2	Bolt
120	130-1266	1	Governor Shaft ASM

<i>Ref.</i>	<i>Part Number</i>	<i>Qty.</i>	<i>Description</i>
130	105-3725	1	Shaft-Governor
140	98-9562	1	Holder-Gear, Governor
150	98-9673	1	Gear-Governor
160	98-9561	1	Holder-Weight, Governor
170	130-1240	2	Governor Weight ASM
180	98-9560	2	Shaft-Weight, Governor
190	98-9692	2	Roller
200	98-9563	1	Sleeve-Governor
210	98-9564	1	Washer-Thrust
220	107-9079	1	Bearing-Ball
230	98-9657	1	Circlip-Shaft, Governor
240	98-9565	1	Screw-Set



Idle Apparatus and Stop Solenoid Assembly

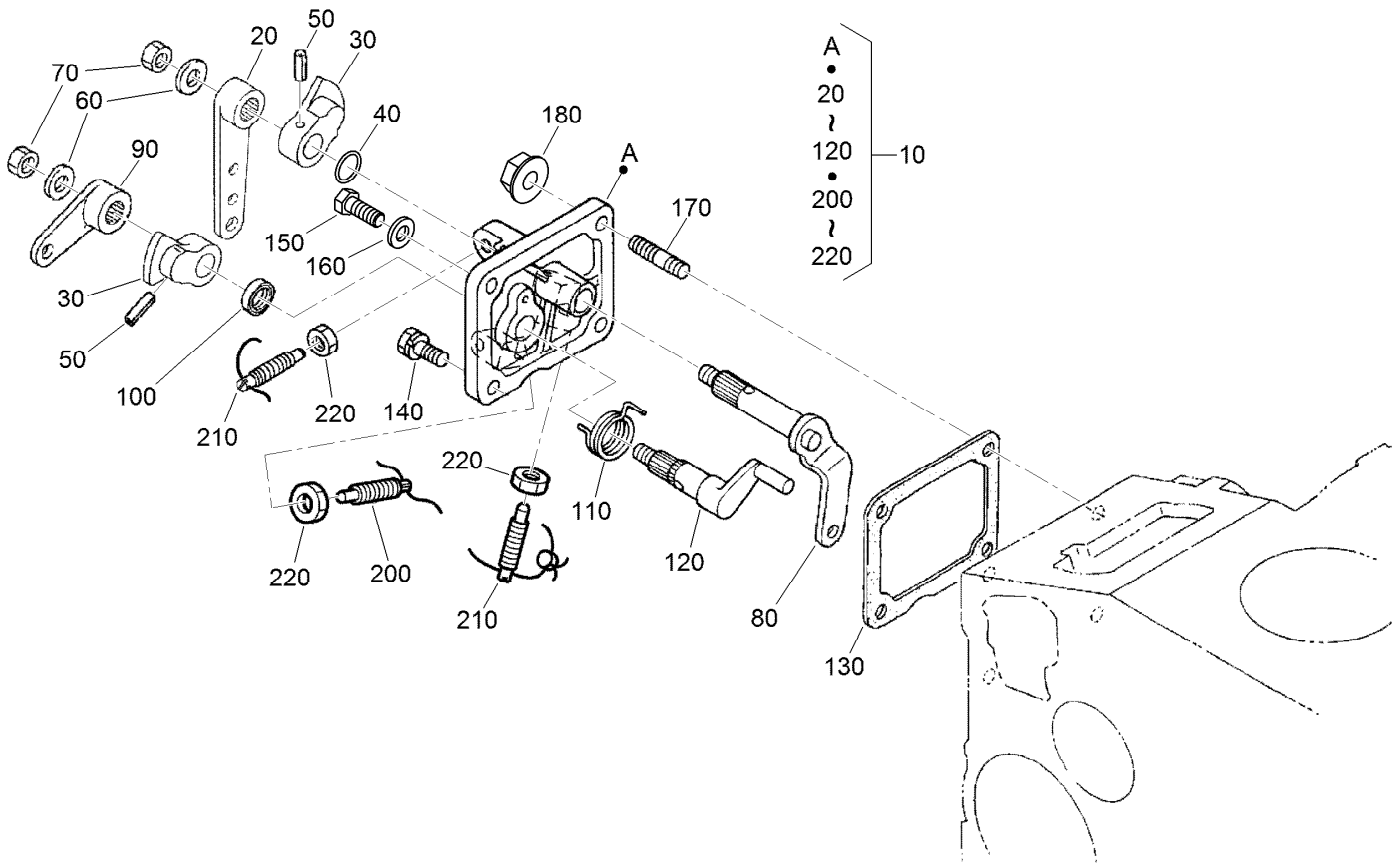
<i>Ref.</i>	<i>Part Number</i>	<i>Qty.</i>	<i>Description</i>
10	98-9678	1	Idle Apparatus ASM
20	112-7014	1	Adjusting Bolt ASM
30	98-9439	1	Nut
40	112-0181	1	Nut
50	98-7654	2	Gasket
60	98-7656	1	Cap
70	112-7015	1	Bolt-Adjusting
80	100-2175	1	Nut-Lock
90	112-0181	1	Nut
100	98-7654	1	Gasket
110	107-9081	1	Gasket
120	104-5155	1	Solenoid-Stop
130	130-1155	2	Screw-HSH
140	112-7016	1	Cover-Pump



Injection Pump and Fuel Pump Assembly

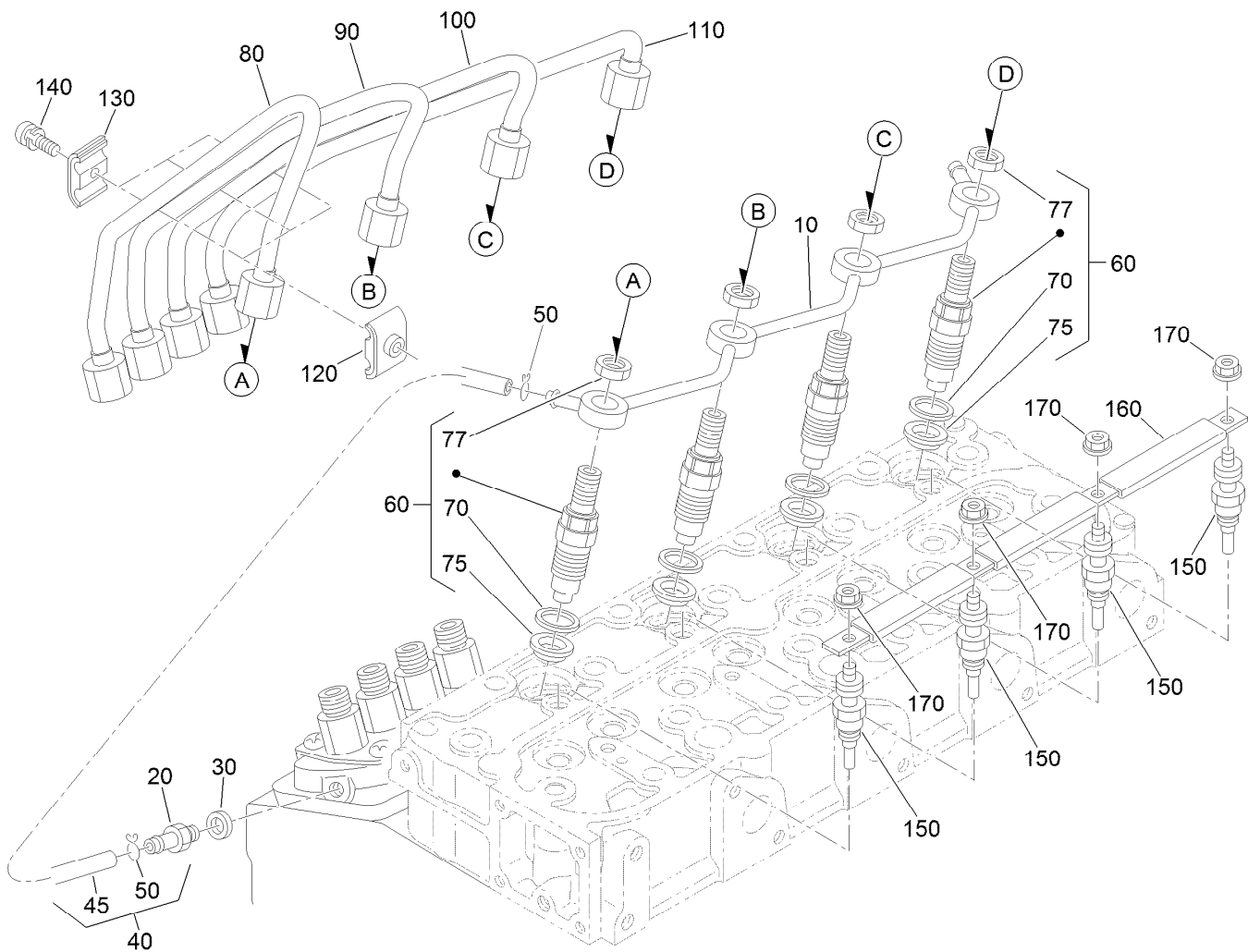
Ref.	Part Number	Qty.	Description
10	98-9596	1	Joint-Eye
20	130-1238	1	Fuel Pipe ASM
30	100-2217	2	Clip-Pipe
40	105-3727	1	Injection Pump ASM
50	105-3728	1	Shim-Pump, Injection (.20Mm)
50	105-3729	1	Shim-Pump, Injection (.25Mm)
60	105-3730	1	Shim-Pump, Injection (.30Mm)
60	115-3016	1	Shim-Pump, Injection (.350Mm)
65	115-3017	1	Shim-Pump, Injection (.175Mm)

Ref.	Part Number	Qty.	Description
70	117-7564	3	Bolt-Hex Soc HD
80	98-9438	3	Stud
90	98-9440	3	Nut-Cap
100	98-7699	3	Washer-Spring
110	98-9464	1	Bolt-Joint
120	98-9445	2	Gasket
130	98-9430	1	Screw
140	98-9446	1	Gasket
150	98-9677	1	Fuel Pump ASM
160	98-9636	1	Gasket-Pump, Fuel
170	100-2203	2	Nut-Flange



Speed Control Plate Assembly

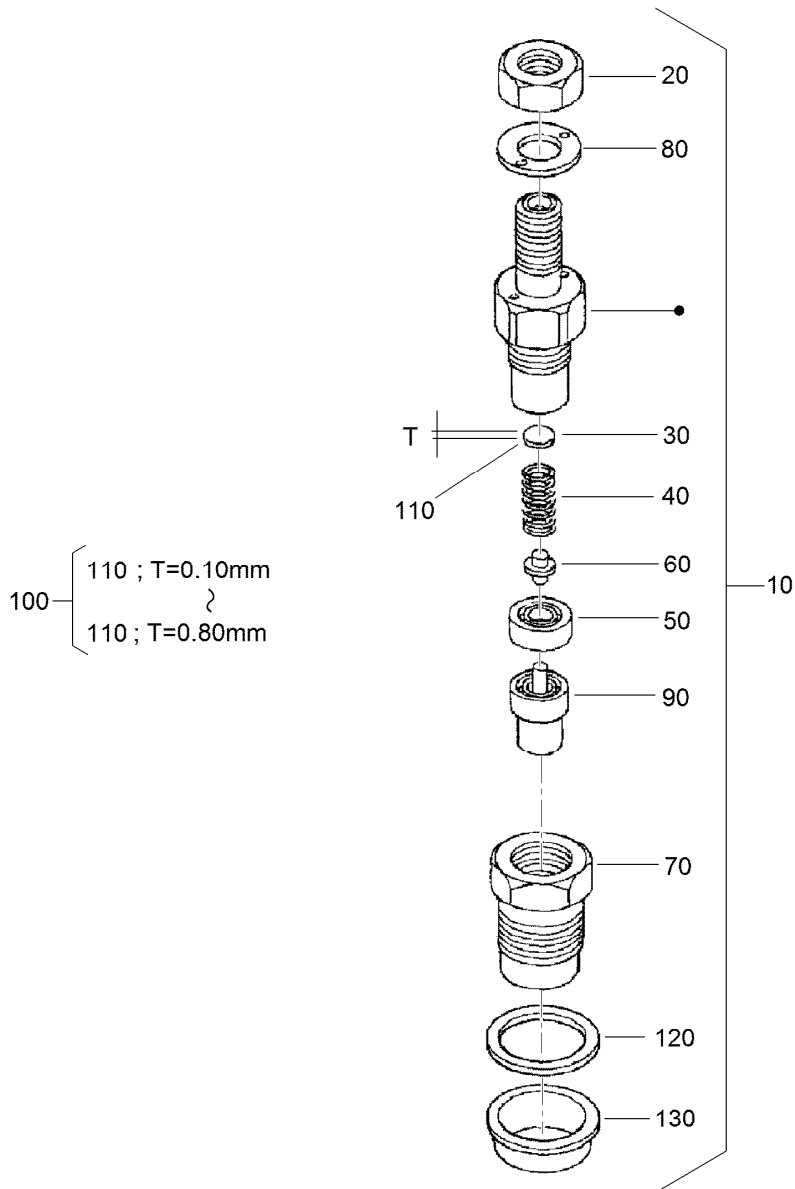
<i>Ref.</i>	<i>Part Number</i>	<i>Qty.</i>	<i>Description</i>	<i>Ref.</i>	<i>Part Number</i>	<i>Qty.</i>	<i>Description</i>
10	98-9661	1	Control Plate ASM	120	98-9664	1	Shaft-Lever, Stop
20	98-9662	1	Lever-Control, Speed	130	98-9637	1	Gasket
30	98-9572	2	Lever-Control, Speed	140	98-7692	1	Bolt
40	105-3788	1	O-Ring	150	127-0401	1	Bolt-Hex
50	98-7602	2	Pin-Spring	160	98-7654	1	Gasket
60	98-9594	2	Washer-Plain	170	105-3710	2	Stud
70	98-9589	2	Nut	180	100-2203	2	Nut-Flange
80	98-9658	1	Governor Lever ASM	200	117-7565	2	Bolt-Adjusting
90	98-9663	1	Lever-Stop, Engine	210	117-7566	1	Bolt-Adjusting
100	98-7601	1	Seal-Oil	220	98-7572	3	Nut
110	98-9472	1	Spring-Return				



Nozzle Holder and Glow Plug Assembly

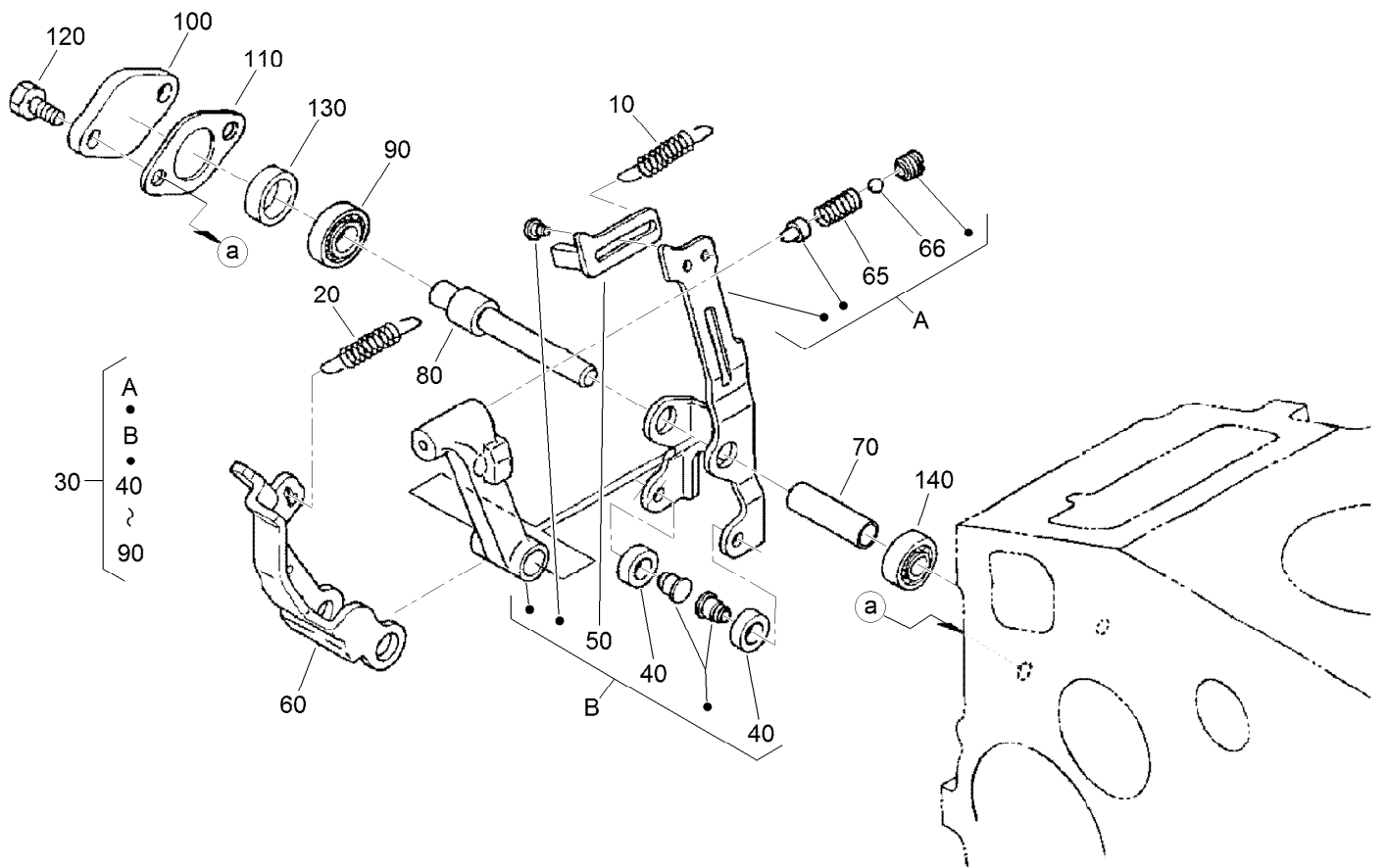
Ref.	Part Number	Qty.	Description
10	105-3737	1	Over Flow Pipe ASM
20	98-9431	1	Screw-Bleeder, Air
30	98-7654	1	Gasket
40	98-9420	1	Overflow Pipe ASM
45	112-0182	1	Pipe-Overflow
50	98-7671	2	Clip-Pipe
60	108-2866	4	Nozzle Holder Kit
70	98-7676	4	Gasket
75	98-7677	4	Seal-Heat
77	121-2411	4	Nut

Ref.	Part Number	Qty.	Description
80	98-9653	1	Pipe-Injection
90	98-9654	1	Pipe-Injection
100	98-9655	1	Pipe-Injection
110	105-3738	1	Pipe-Injection
120	98-7682	3	Clamp-Pipe
130	98-7683	3	Clamp-Pipe
140	98-7684	3	Screw (W/Washer)
150	115-3019	4	Plug-Glow
160	105-3739	1	Cord-Plug, Glow
170	99-8377	4	Nut-Flange



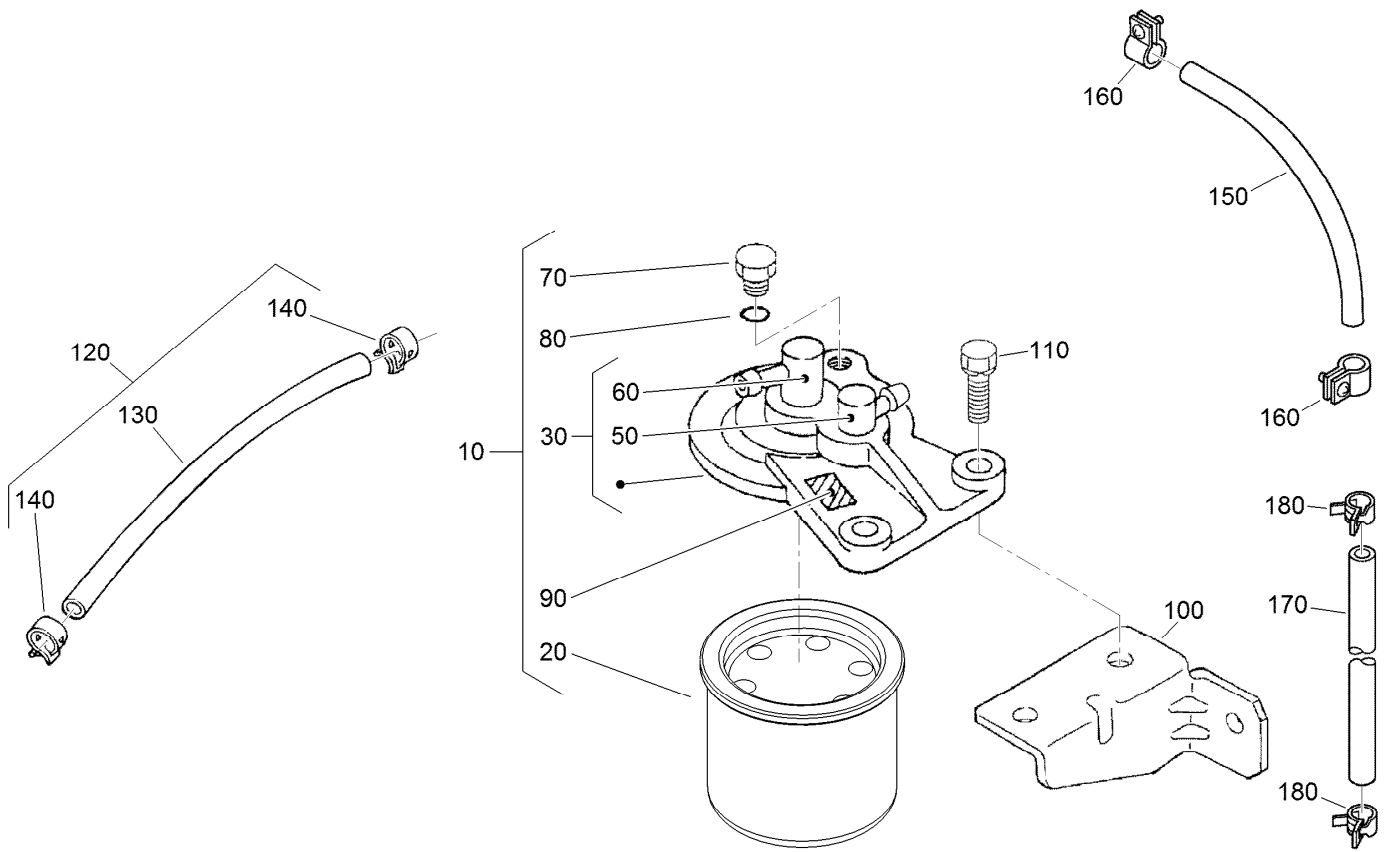
Nozzle Holder Assembly

<i>Ref.</i>	<i>Part Number</i>	<i>Qty.</i>	<i>Description</i>	<i>Ref.</i>	<i>Part Number</i>	<i>Qty.</i>	<i>Description</i>
10	108-2866	4	Nozzle Holder Kit	110	99-8311	4	Washer-Adjust (0.20Mm)
20	121-2411	4	Nut	110	99-8312	4	Washer-Adjust (0.30Mm)
30	99-8302	4	Washer-Adjusting	110	99-8313	4	Washer-Adjust (0.40Mm)
40	99-8303	4	Spring-Nozzle	110	99-8314	4	Washer-Adjust (0.50Mm)
50	99-8304	4	Spacer-Distance	110	99-8315	4	Washer-Adjust (0.52Mm)
60	99-8305	4	Rod-Push	110	99-8316	4	Washer-Adjust (0.54Mm)
70	99-8306	4	Nut-Nozzle	110	99-8317	4	Washer-Adjust (0.56Mm)
80	99-8307	4	Washer-Plain	110	99-8318	4	Washer-Adjust (0.58Mm)
90	107-7826	4	Piece-Nozzle	110	99-8319	4	Washer-Adjust (0.80Mm)
100	99-8309	4	Adjusting Washer ASM	120	98-7676	4	Gasket
110	99-8310	4	Washer-Adjust (0.10Mm)	130	98-7677	4	Seal-Heat



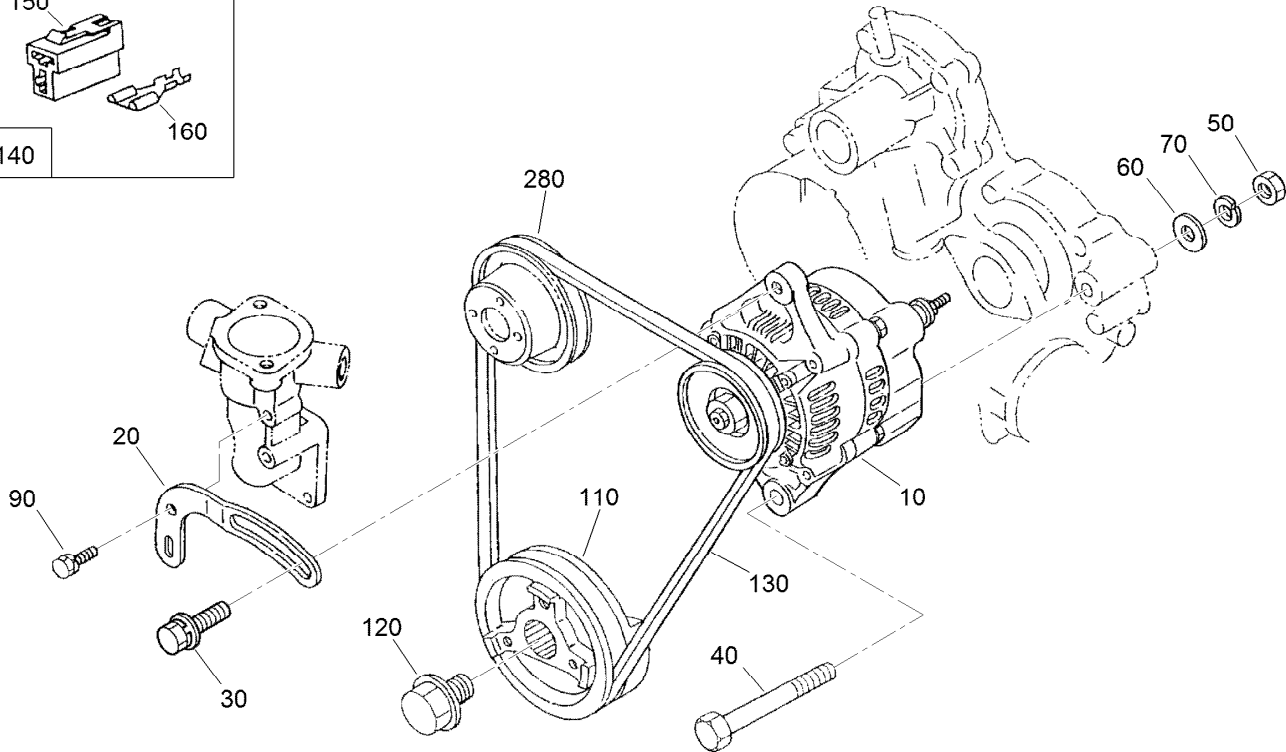
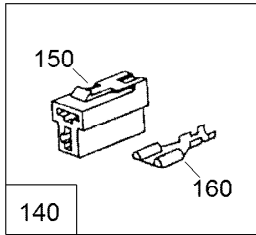
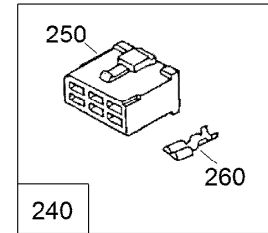
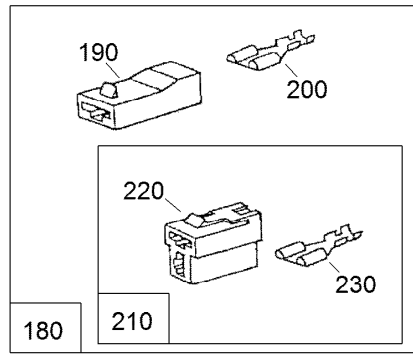
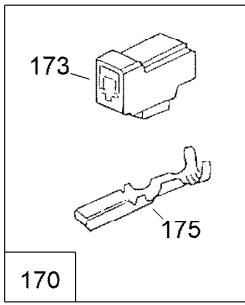
Governor Assembly

<i>Ref.</i>	<i>Part Number</i>	<i>Qty.</i>	<i>Description</i>	<i>Ref.</i>	<i>Part Number</i>	<i>Qty.</i>	<i>Description</i>
10	105-3741	1	Spring-Start	70	107-9085	1	Shaft-Lever, Fork
20	98-9681	1	Spring-Governor	80	107-9086	1	Shaft-Lever, Fork
30	115-4502	1	Fork Lever ASM	90	98-9570	1	Bearing-Miniaturize
40	98-9692	2	Roller	100	115-4122	1	Cover-Shaft, Fork Lever
50	107-9083	1	Lever-Thrust	110	98-9682	1	Gasket
60	107-9084	1	Lever-Fork	120	98-9350	2	Bolt
65	108-2867	1	Spring	130	98-9567	1	Collar
66	98-7580	2	Ball	140	98-9571	1	Bearing-Miniaturize



Fuel Filter Assembly

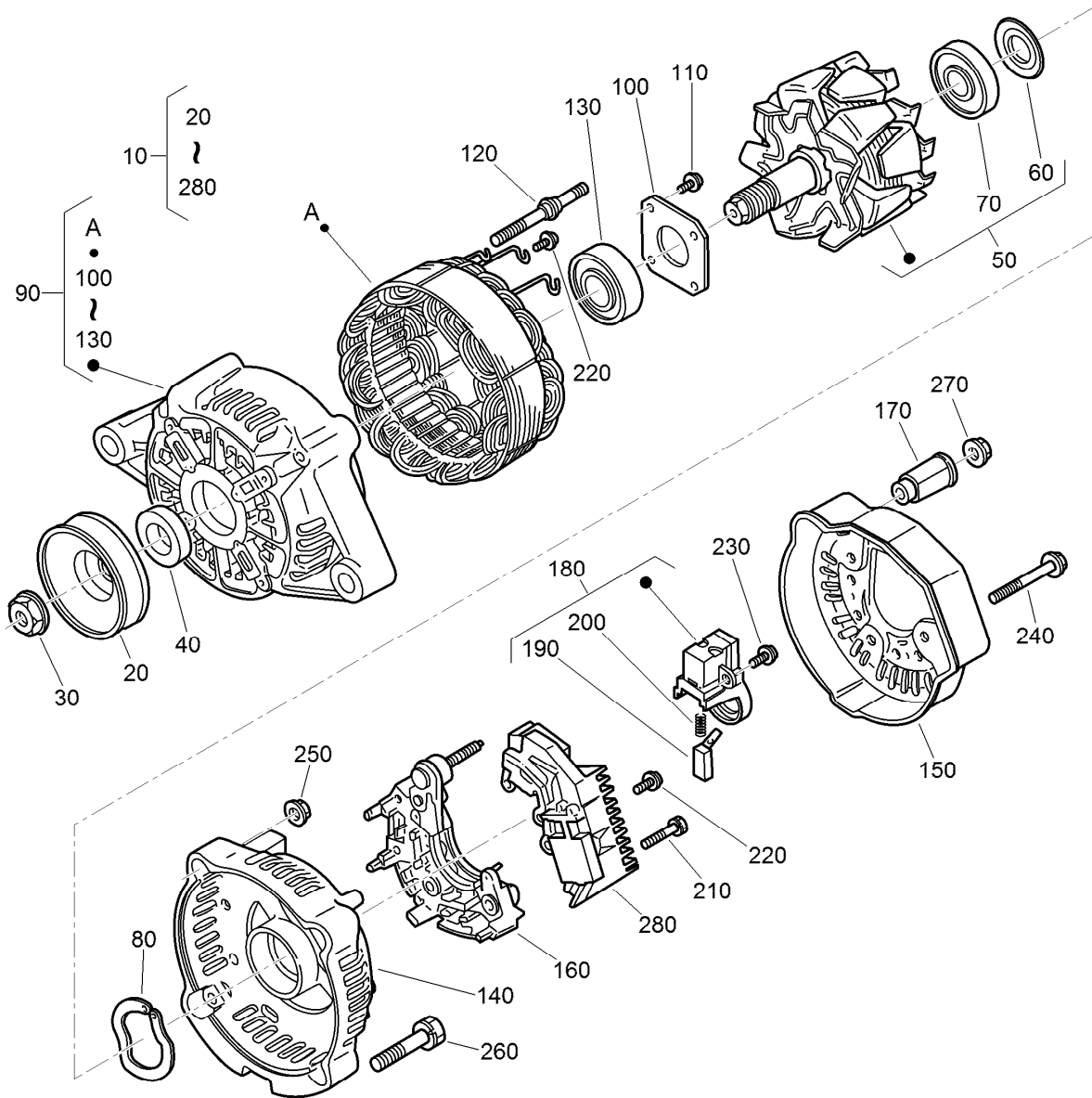
<i>Ref.</i>	<i>Part Number</i>	<i>Qty.</i>	<i>Description</i>	<i>Ref.</i>	<i>Part Number</i>	<i>Qty.</i>	<i>Description</i>
10	130-1188	1	Fuel Filter ASM	110	98-7610	2	Bolt
20	134-2829	1	Element-Filter	120	130-1270	1	Fuel Pipe ASM
30	130-1189	1	Filter Cover ASM	130	130-1172	1	Tube-Fuel
50	130-1180	1	Joint-Pipe	140	100-2217	2	Clip-Pipe
60	130-1181	1	Joint-Pipe	150	130-1222	1	Pipe-Fuel
70	130-1329	1	Plug-Filter Breather	160	98-7616	4	Clip-Pipe
80	130-1179	1	O Ring	170	130-1330	1	Pipe-Over Flow, Fuel
90	130-1190	1	Mark-Form	180	98-7672	6	Clip-Pipe
100	130-1271	1	Holder-Fuel Filter				



Alternator and Pulley Assembly

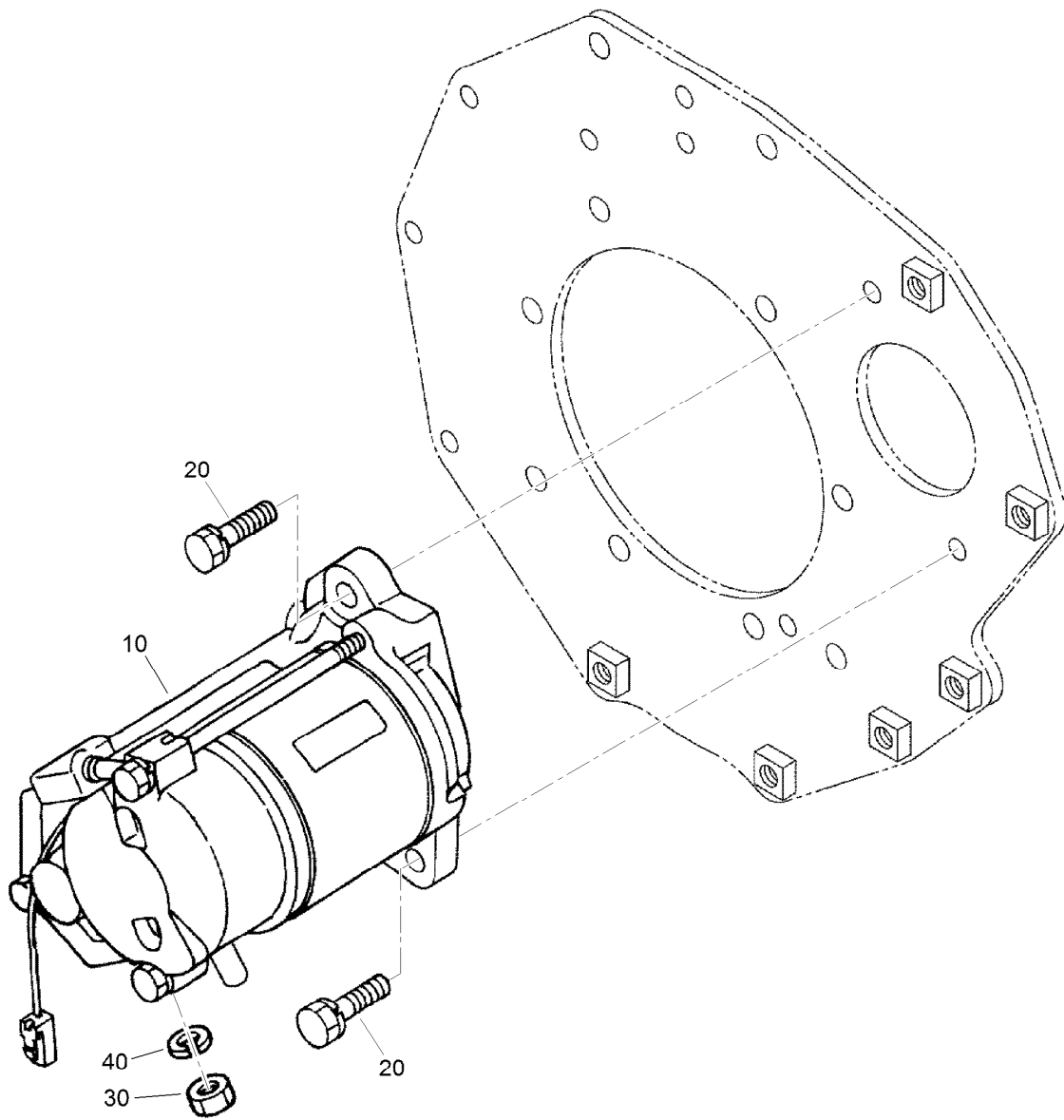
Ref.	Part Number	Qty.	Description
10	98-9474	1	Alternator ASM
20	112-7047	1	Stay-Dynamo
30	108-7088	1	Bolt
40	98-9360	1	Bolt
50	98-7737	1	Nut
60	98-9366	1	Washer-Plain
70	98-7738	1	Washer-Spring
90	98-7692	1	Bolt
110	105-3745	1	Pulley-Drive, Fan
120	98-9585	1	Bolt
130	98-9676	1	V-Belt
140	127-1606	1	Coupler ASM
150	98-9698	1	Connector
160	98-9699	2	Terminal

Ref.	Part Number	Qty.	Description
170	115-8600	1	Coupler ASM
173	115-8601	1	Connector
175	115-8602	1	Terminal
180	130-1229	1	Relay Coupler ASM
190	130-1230	2	Connector
200	130-1228	2	Terminal
210	127-1606	1	Coupler ASM
220	98-9698	1	Connector
230	98-9699	2	Terminal
240	130-1290	1	Connector Coupler ASM
250	98-9697	1	Connector
260	98-9699	5	Terminal
280	98-9584	1	Pulley-Fan



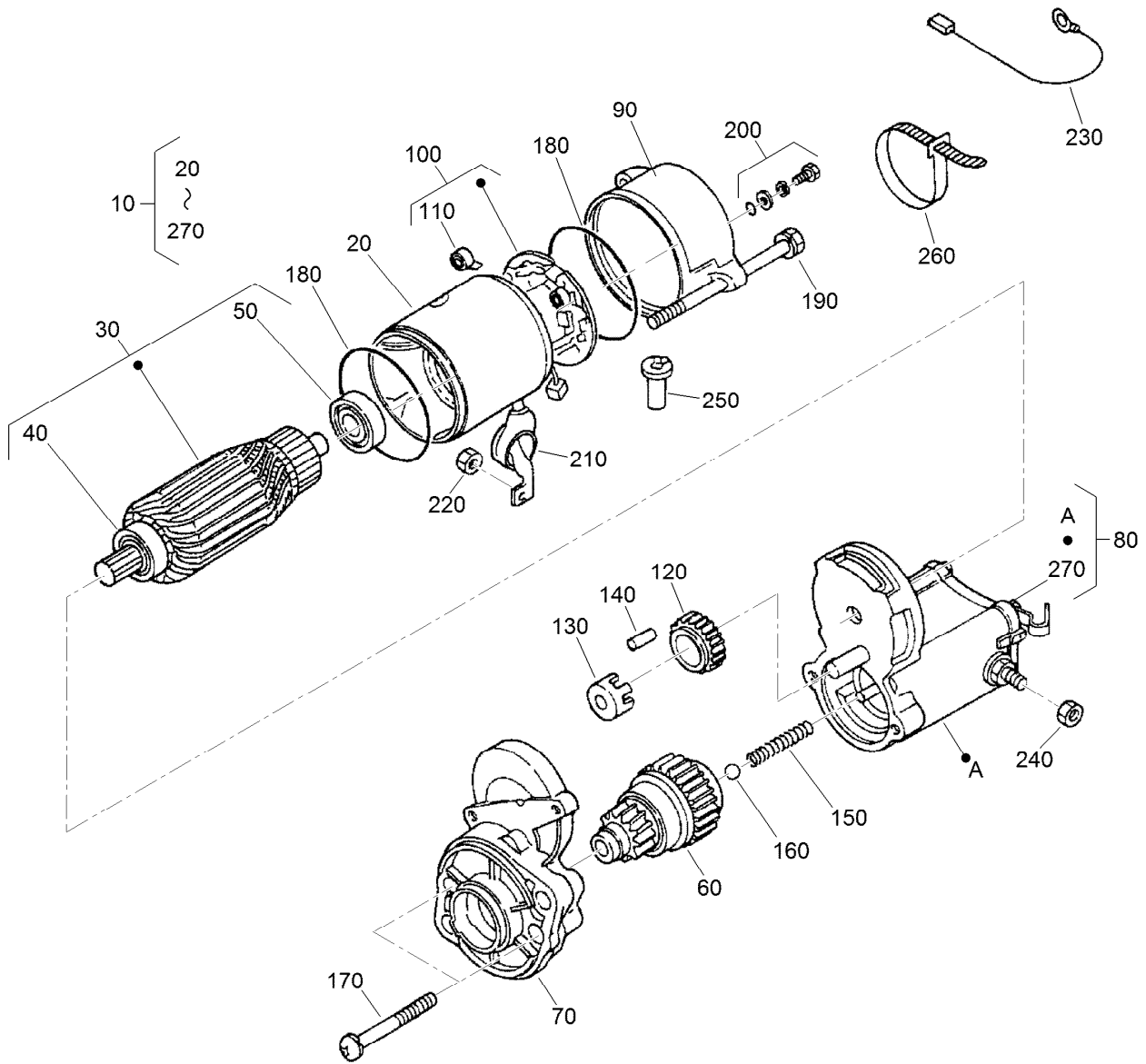
Alternator Components Assembly

Ref.	Part Number	Qty.	Description	Ref.	Part Number	Qty.	Description
10	98-9474	1	Alternator ASM	150	107-0140	1	Cover-End
20	98-9453	1	Pulley-Dynamo	160	127-1612	1	Rectifier ASM
30	98-7708	1	Nut	170	98-7722	1	Bushing-Insulation
40	98-7709	1	Collar	180	107-0141	1	Brush Holder ASM
50	107-0136	1	Rotor ASM	190	98-7724	2	Brush
60	98-7711	1	Cover-Bearing	200	98-7725	2	Spring-Brush
70	107-0138	1	Bearing-Ball	210	98-7726	2	Screw-Head, Round
80	98-7713	1	Washer-Thrust	220	98-7727	6	Screw-Head, Round
90	107-0139	1	Drive End Frame ASM	230	98-7728	1	Screw-Head, Round
100	98-7715	1	Plate-Retainer	240	98-7729	3	Bolt
110	98-7716	4	Screw-Head, Round	250	98-7730	2	Nut
120	98-7717	2	Bolt-Through	260	98-7731	2	Bolt
130	133-2811	1	Bearing	270	98-7732	1	Nut
140	107-9087	1	Frame-End	280	110-3799	1	Regulator ASM



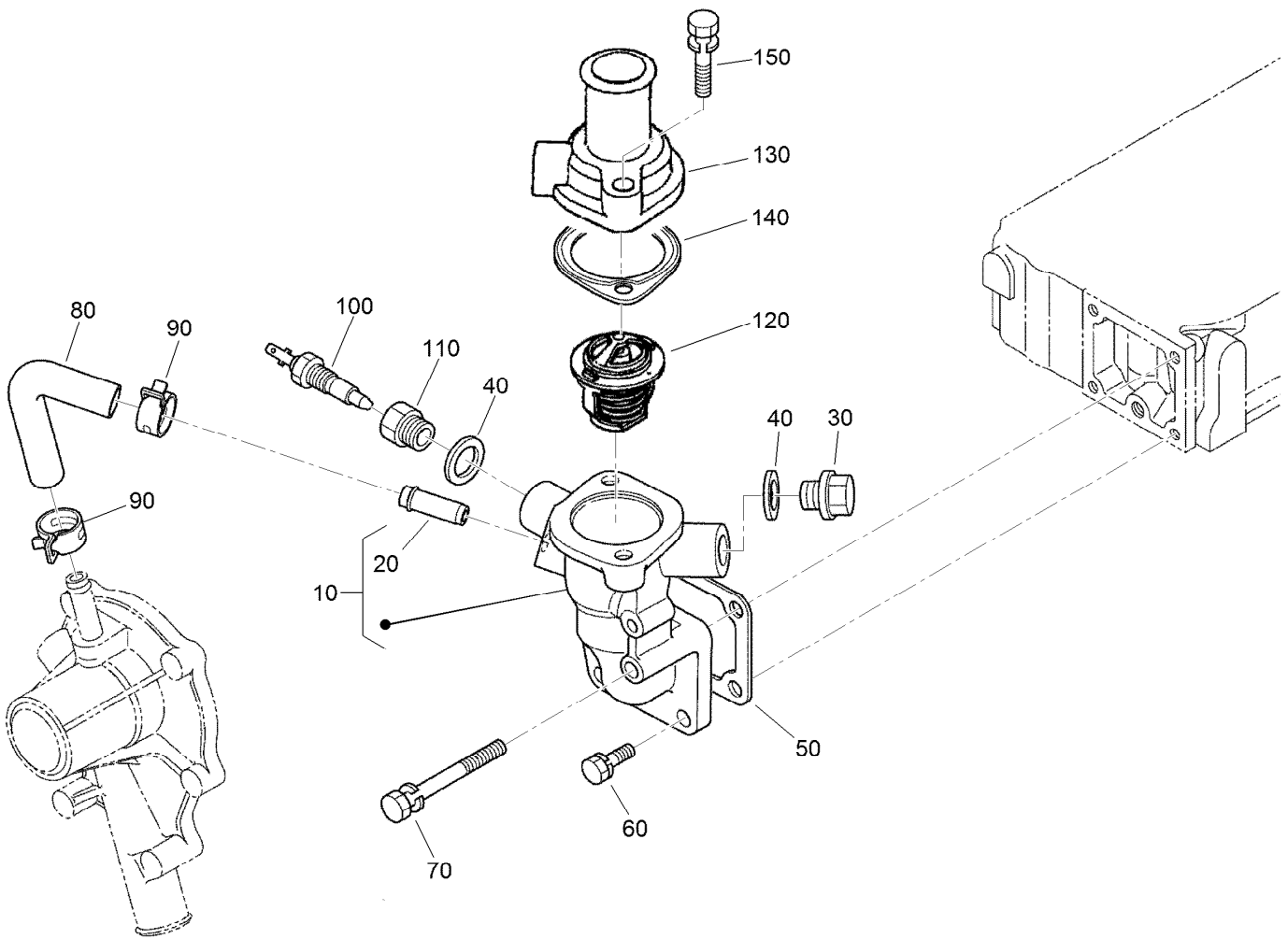
Starter Assembly

<i>Ref.</i>	<i>Part Number</i>	<i>Qty.</i>	<i>Description</i>
10	98-9705	1	Starter ASM
20	98-7697	2	Bolt
30	98-7739	1	Nut
40	105-2893	1	Washer-Spring



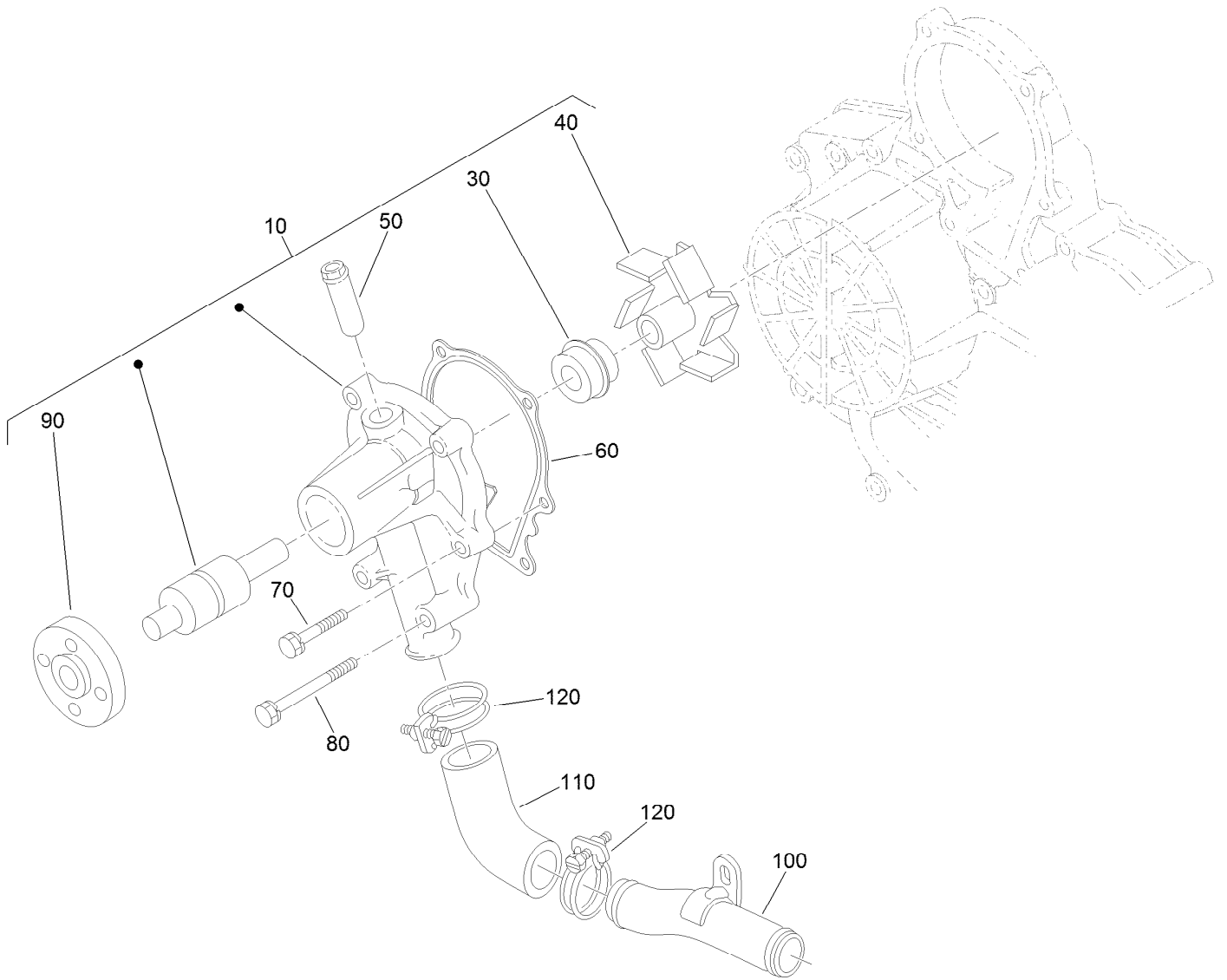
Starter (Component Part) Assembly

Ref.	Part Number	Qty.	Description	Ref.	Part Number	Qty.	Description
10	98-9705	1	Starter ASM	150	98-7754	1	Spring
20	104-8608	1	Yoke ASM	160	98-7755	1	Ball
30	98-7742	1	Armature ASM	170	98-7756	2	Bolt
40	98-7744	1	Bearing	180	98-7757	2	O-Ring
50	98-7743	1	Bearing	190	100-9240	2	Bolt
60	99-8373	1	Clutch-Running, Over	200	98-7758	2	Bolt ASM
70	99-8374	1	Frame-End, Drive	210	99-8375	1	Cover
80	105-3746	1	Magnetic Switch ASM	220	99-8371	1	Nut-Hex
90	98-7748	1	Frame-End	230	98-9711	1	Cord-Solenoid, Stop
100	98-7749	1	Brush Holder ASM	240	99-8376	1	Nut-Hex
110	98-7750	4	Spring-Brush	250	98-7759	1	Pipe-Drain
120	98-7751	1	Gear	260	98-9712	1	Band-Cover
130	98-7752	1	Retainer	270	105-2886	1	Cover ASM
140	98-7753	5	Roller				



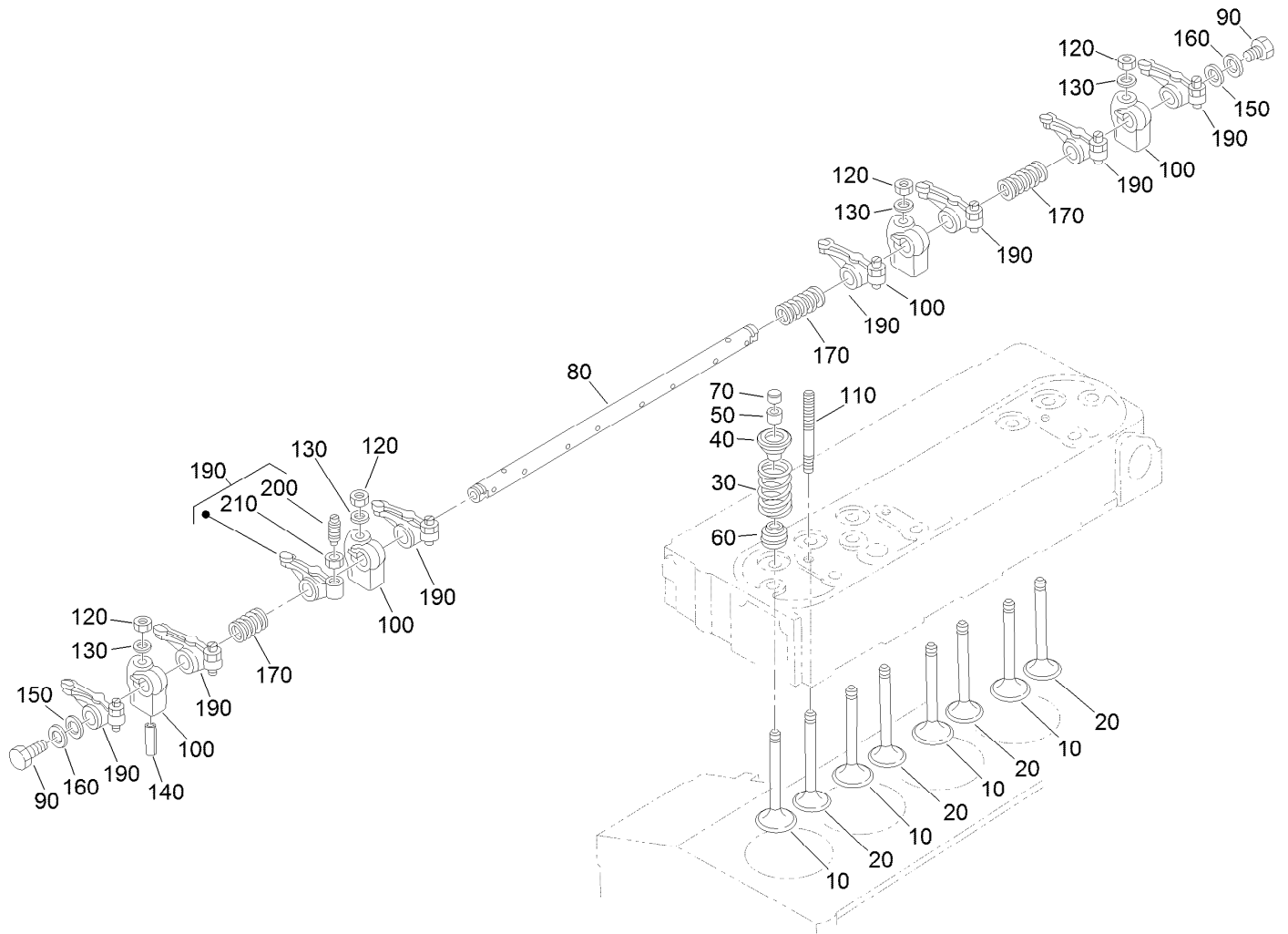
Water Flange and Thermostat Assembly

<i>Ref.</i>	<i>Part Number</i>	<i>Qty.</i>	<i>Description</i>
10	98-9713	1	Water Flange ASM
20	98-9580	1	Pipe-Return, Water
30	105-3747	1	Plug
40	99-3583	2	Gasket
50	98-9638	1	Gasket-Flange, Water
60	98-7692	3	Bolt
70	98-9356	1	Bolt
80	98-9578	1	Pipe-Return, Water
90	98-9579	2	Band-Pipe
100	100-1983	1	Thermo-Switch
110	130-1377	1	Adapter-Thermoswitch
120	98-7778	1	Thermostat ASM
130	98-9471	1	Cover-Thermostat
140	105-3748	1	Gasket-Thermostat
150	98-7777	2	Bolt



Water Pump Assembly

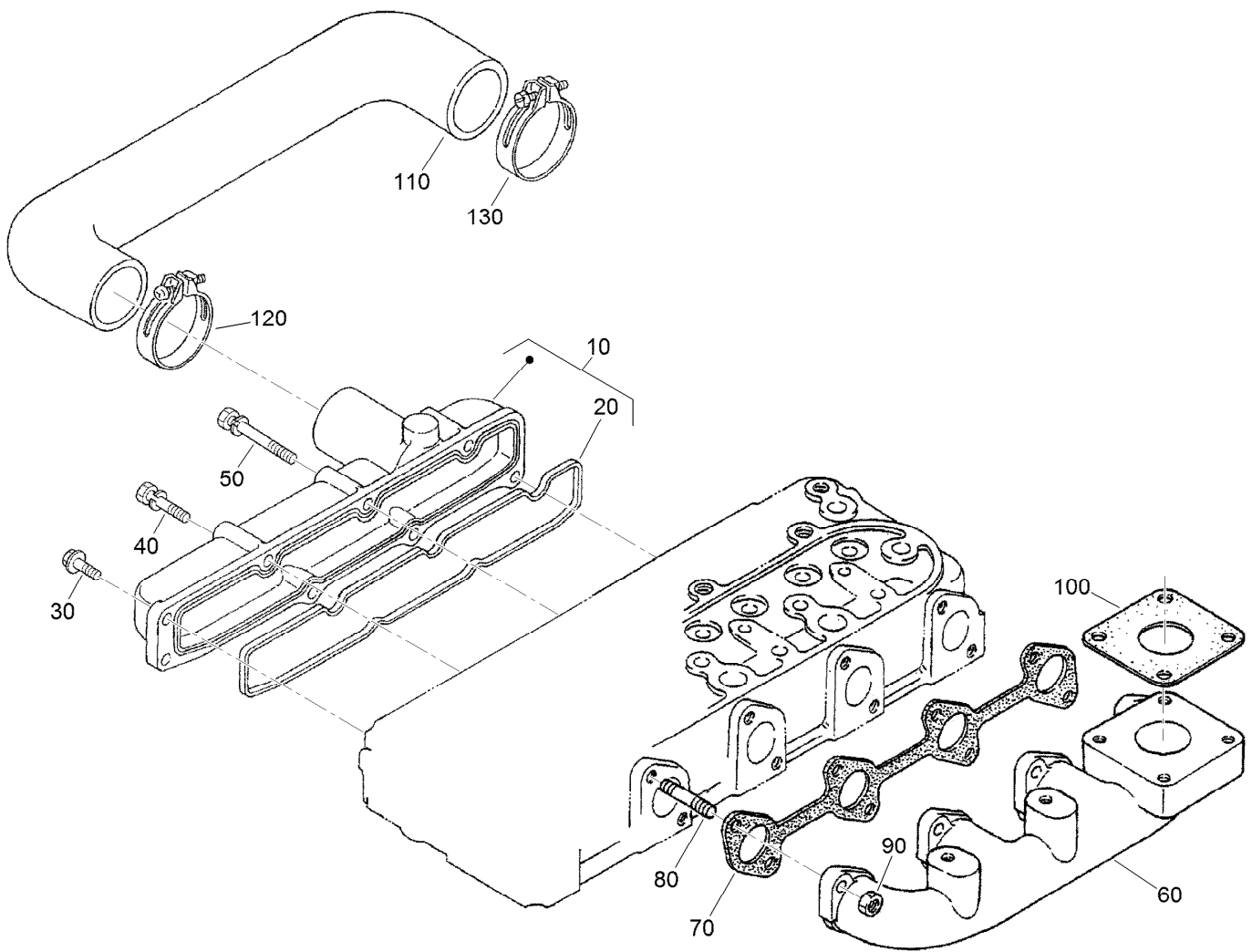
<i>Ref.</i>	<i>Part Number</i>	<i>Qty.</i>	<i>Description</i>
10	107-9089	1	Water Pump ASM
30	105-3750	1	Mechanical Seal ASM
40	112-7017	1	Impeller-Pump, Water
50	100-1932	1	Pipe-Return, Water
60	99-3454	1	Gasket-Pump, Water
70	98-9353	4	Bolt
80	107-9090	2	Bolt
90	99-3516	1	Flange-Pump, Water
100	98-9716	1	Pipe-Water
110	107-9091	1	Pipe-Water
120	98-9717	2	Clamp



Valve and Rocker Arm Assembly

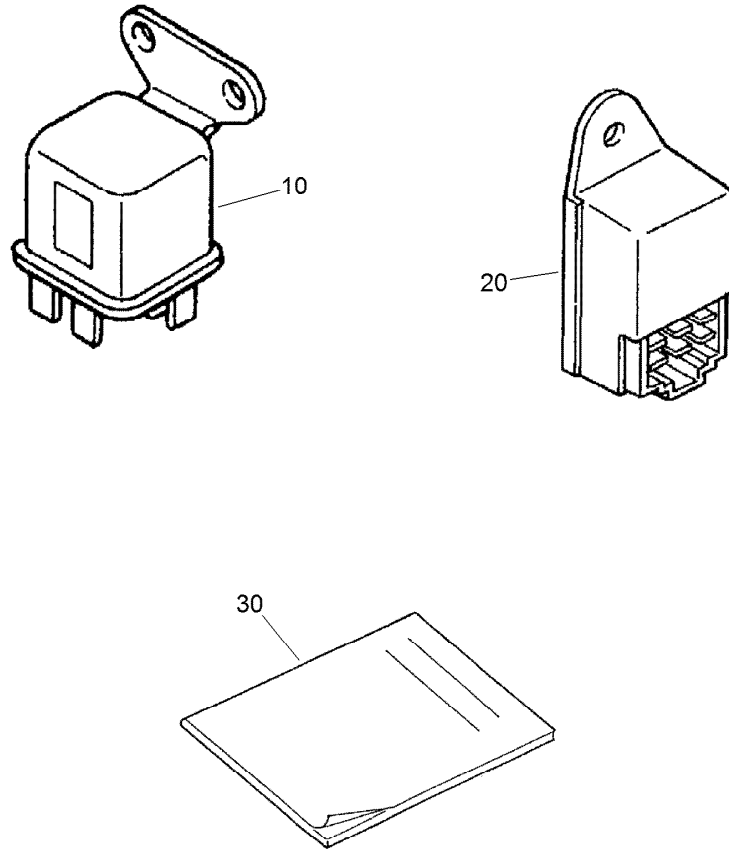
<i>Ref.</i>	<i>Part Number</i>	<i>Qty.</i>	<i>Description</i>
10	112-7018	4	Valve-Inlet
20	120-2564	4	Valve-Exhaust
30	98-9648	8	Spring-Valve
40	107-9092	8	Retainer-Spring
50	117-7572	8	Collet-Spring, Valve
60	99-8385	8	Seal-Stem, Valve
70	98-9497	8	Cap-Valve
80	127-0420	1	Shaft-Arm, Rocker
90	99-8363	2	Bolt-Flange
100	98-9505	4	Bracket-Arm, Rocker

<i>Ref.</i>	<i>Part Number</i>	<i>Qty.</i>	<i>Description</i>
110	98-9506	4	Stud
120	98-9393	4	Nut
130	98-9385	4	Washer-Flat
140	105-3758	1	Pin-Spring
150	98-9507	2	Washer-Shaft, Rocker Arm
160	110-3832	2	Washer-Plain
170	98-9504	3	Spring-Arm, Rocker
190	112-7020	8	Rocker Arm ASM
200	98-9502	8	Screw-Adjusting
210	98-9503	8	Nut



Intake and Exhaust Manifold Assembly

<i>Ref.</i>	<i>Part Number</i>	<i>Qty.</i>	<i>Description</i>
10	130-1257	1	Intake Manifold ASM
20	105-3760	1	Gasket-Manifold, Intake
30	127-0403	3	Bolt-Flange
40	98-9353	2	Bolt
50	125-9063	3	Bolt-Sems
60	130-1268	1	Manifold-Exhaust
70	105-3765	1	Gasket-Manifold, Exhaust
80	98-9588	8	Stud
90	98-9665	8	Nut
100	99-8343	2	Gasket-Muffler
110	130-1284	1	Pipe-Inlet
120	130-1196	2	Band-Pipe
130	130-1182	2	Band-Pipe



Miscellaneous Engine Parts

<i>Ref.</i>	<i>Part Number</i>	<i>Qty.</i>	<i>Description</i>
10	130-1244	1	Relay ASM
20	130-1211	1	Timer-Lamp, Glow
30	115-4104	1	Operator Manual

Attachments and Accessories

For 30657 LT3340 Heavy-Duty Triple Turf Mower Traction Unit

Product Name	Model/Part
Mk.3 200mm 4-Blade LH-Helix Cutter Unit	02805
Mk.3 200mm 6-Blade LH-Helix Cutter Unit	02806
Mk.3 200mm 8-Blade LH-Helix Cutter Unit	02807
Mk.3 200mm 10-Blade LH-Helix Cutter Unit	02808
Mk.3 250mm 4-Blade LH-Helix Cutter Unit	02815
Mk.3 250mm 6-Blade LH-Helix Cutter Unit	02816
Mk.3 250mm 8-Blade LH-Helix Cutter Unit	02817
Flashing Beacon Kit.....	02920
Blower Carrier Kit.....	02921
TÜV Kit - Speed Decal 20kph	02980
Tüv Kit - Deck Cover 3-Gang	02982
Fuse-In Line.....	111-5101
Kevlar Tyre Kit	02914
Warning Triangle	111-4250
TÜV Kit - German Vehicle Serial Plate.....	02983
Road Light Kit (Includes Brake Light Kit).....	02915
Cab with Air-Conditioner.....	02895
Standard Seat Fabric Upgrade Kit	02864
Deluxe Replacement PVC Air Seat	02865
Deluxe Replacement Fabric Air Seat	02866
Floating Cutting Unit Kit, 3-Plex Mower.....	02820
Smooth Roller 200mm (8in) Cutting Unit.....	02822
Grooved Roller 200mm (8in) Cutting Unit.....	02823
Air Conditioning Fit Kit (CT, LT & GM)	02892
Roller-Smooth Mk3 (Sealed for Life).....	111-1848
Slope Indicator Kit.....	111-9225
Storage Lock Kit	134-2167
Fuel Tank Kit.....	134-2025
Rear View Mirrors Kit.....	111-9895

Notes:

Notes:



Count on it.