



**Count on it.**

**Parts Catalog**

**Groundsmaster® 4700-D  
Traction Unit**

Model No. 30882—Serial No. 316000001 and Up



# Ordering Replacement Parts

To order replacement parts, please supply the part number, the quantity, and the description of each part desired.

## Understanding Reference Numbers

Each identified part in an illustration has a reference number. The reference number for a part also appears in the parts list, along with other information about the part.

This catalog uses two special reference number formats, one to indicate parts in a service assembly and another to indicate the quantity of a given part in an illustration.

## Service Assembly Reference Numbers

Parts in service assemblies have reference numbers in the form a:b. The a represents the reference number of the entire service assembly and the b represents a sequential number unique to each part within the service assembly.

For example, a wheel assembly might be identified by reference number 6, the tire by 6:1, the valve by 6:2, and the wheel by 6:3. When you order the assembly identified by reference number 6, you receive all parts identified by reference numbers 6:1, 6:2, and 6:3. However, you may also order any part individually. Reference numbers of this type appear in illustration and in parts lists.

## Reference Numbers Indicating Quantity

In an illustration, if a reference number indicates more than one part, the reference number has the form nX y. The n represents the quantity of the part, the X is the multiplication symbol, and the y represents the reference number.

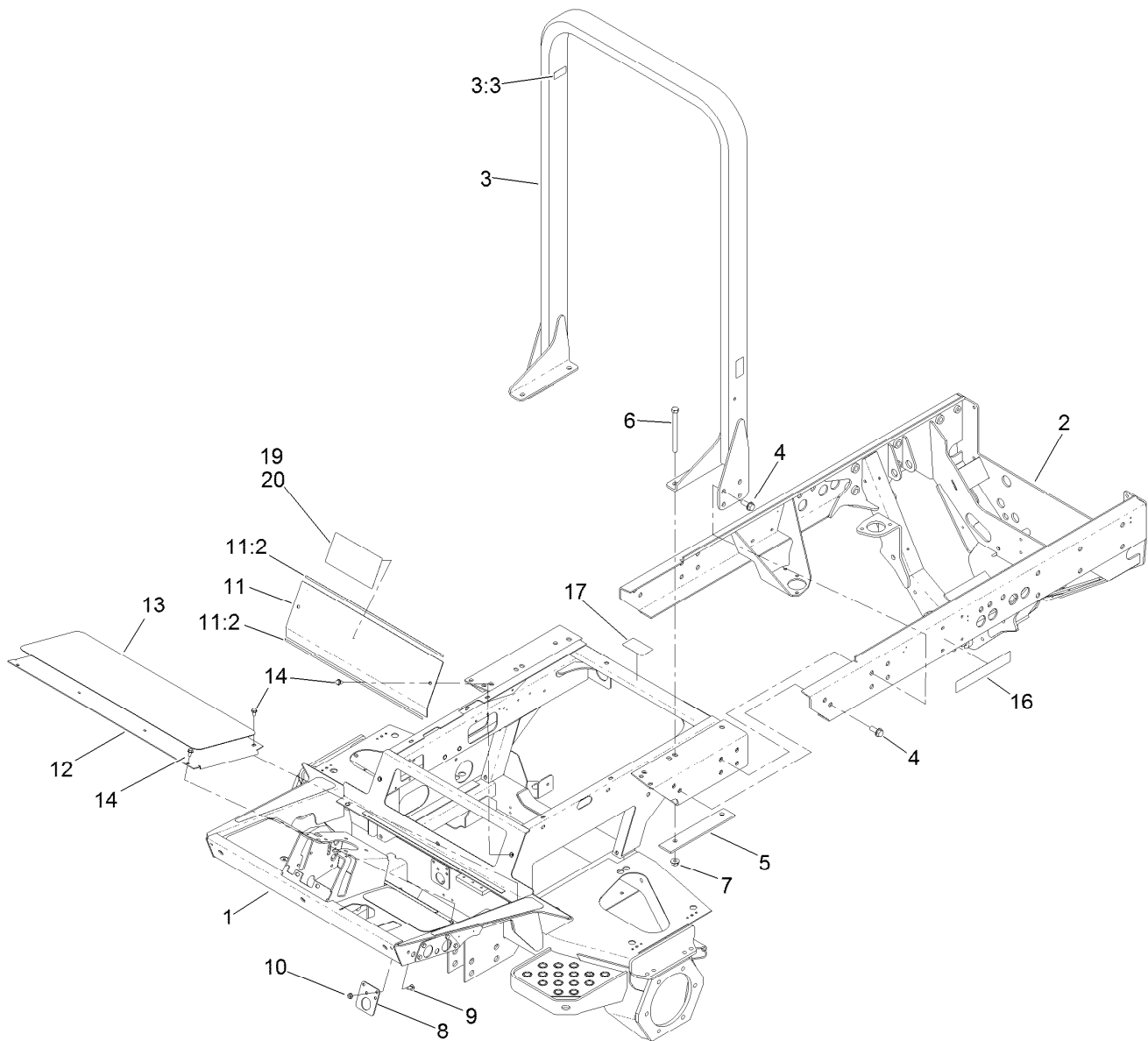
For example, in an illustration, the reference number 2X 37 means that two of the parts identified by reference number 37 are indicated.

# Contents

Frame and Roll-Over Protection System Assembly .....	5
Front Frame Assembly No. 120-8086.....	6
Front Shroud Assembly.....	7
Engine Mount Assembly.....	8
Flywheel Assembly .....	9
Engine, Air Cleaner and Controller Assembly .....	10
Air Cleaner Assembly No. 99-5410.....	11
Radiator Assembly.....	12
Fan Mounting Assembly .....	14
Hydraulic Motor Assembly No. 117-4769.....	15
No. 1, No. 4 and No. 5 Lift Arm and Deck Assembly .....	16
Lift Cylinder Assembly No. 127-6429 .....	18
Lift Cylinder Assembly No. 127-6427 .....	19
No. 2 and 3 Lift Arm and Deck Assembly.....	20
Lift Cylinder Assembly No. 127-6428 .....	22
No. 6 and 7 Lift Arm and Deck Assembly.....	23
Lift Cylinder Assembly No. 127-6430 .....	25
Roller and Carrier Frame Assembly .....	26
Roller Assembly No. 112-5265 .....	27
Height-of-Cut Bracket Assembly .....	28
Chamber, Blade and Spindle Assembly .....	29
Spindle Assembly No. 115-3435 .....	30
Hydraulic Tank Assembly .....	31
Fuel System Assembly .....	32
Electrical Assembly .....	33
Battery Storage Box Assembly No. 115-9100.....	34
Storage Box Assembly No. 115-9101.....	35
Controller Mount Assembly.....	36
Seat Mounting Assembly .....	37
Seat Suspension Assembly No. 130-2702.....	38
Vinyl Premium Seat Assembly No. 117-5676 .....	40
Console Assembly .....	41
Control Arm Switch Assembly .....	42
Steering Tilt Column Assembly No. 106-3622.....	43
Steering and Brake Assembly .....	44
Steering Valve Assembly No. 114-8119 .....	46
Pedal Assembly .....	47
Hood Assembly.....	48
Front Wheel Drive Assembly .....	49
Planetary Assembly No. 105-4500-03 .....	50
Brake Assembly No. 100-3070-03 .....	51
Hydraulic Piston Motor Assembly No. 121-3100.....	52
Brake Assembly No. 100-3069-03 .....	53
Rear Axle Assembly.....	54
Hydraulic Steer Cylinder Assembly No. 127-6431 .....	56
Bevel Pinion Shaft Assembly Rear Axle Assembly No. 110-4750 .....	57
Differential Assembly Rear Axle Assembly No. 110-4750 .....	58
Axle Support Assembly Rear Axle Assembly No. 110-4750 .....	59
Bevel Gear Case Assembly Rear Axle Assembly No. 110-4750.....	60
Bevel Gear Shaft Assembly Rear Axle Assembly No. 110-4750.....	61
Axle Case Assembly Rear Axle Assembly No. 110-4750 .....	62
Axle Assembly Rear Axle Assembly No. 110-4750.....	63
Hydraulic System Assembly .....	64
Four Section Pump Assembly No. 114-4189.....	66

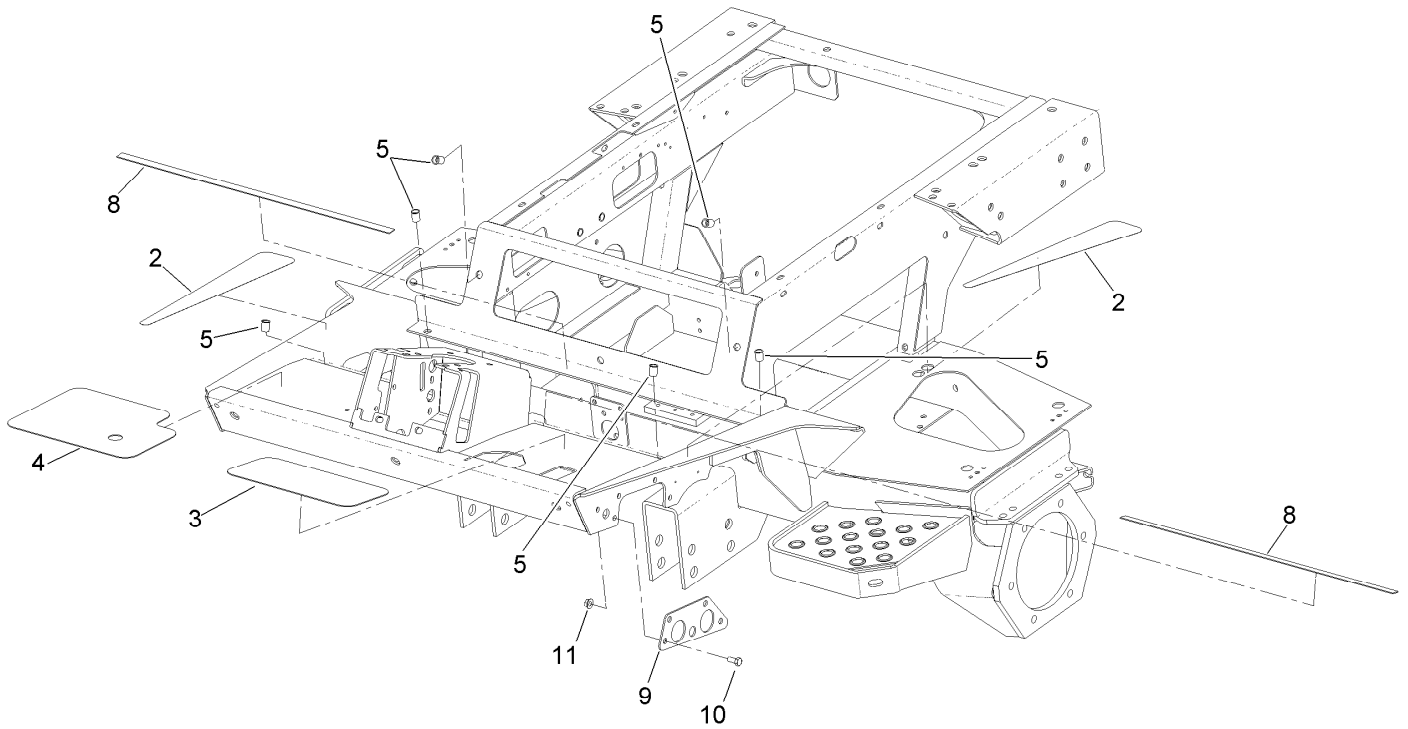
# Contents (continued)

Piston Pump Assembly No. 120-9059 .....	68
Hydraulic Valve Mounting Assembly .....	70
Mow Manifold Assembly No. 120-8077 .....	72
Mow Manifold Assembly .....	73
Lift Manifold Assembly No. 117-2389 .....	74
Lift Manifold Assembly .....	75
Junction Manifold Assembly No. 117-2394 .....	76
Junction Manifold Assembly .....	77
Fan Drive Manifold Assembly No. 117-2395 .....	78
Rear Traction Manifold Assembly No. 121-3078 .....	79
3 Way Manifold Valve Assembly No. 121-3077 .....	80
Hydraulic Traction Circuit Assembly .....	81
Steering Hydraulic Assembly .....	82
Hydraulic Traction Circuit Assembly .....	83
Hydraulic Lift Circuit Assembly .....	84
Hydraulic Mow Circuit Assembly .....	85
Deck No. 1, 4 and 5 Hydraulic Assembly .....	87
Gear Motor Assembly No. 117-5141 .....	88
Deck No. 2 and 3 Hydraulic Assembly .....	89
Deck No. 6 and 7 Hydraulic Assembly .....	90
Main Wire Harness Assembly .....	91
Engine Wire Harness Assembly .....	92
Cylinder Block Assembly .....	93
Gear Housing Assembly .....	94
Flywheel Housing and Oil Sump Assembly .....	95
Cylinder Head and Cover Assembly .....	96
Suction Manifold Assembly .....	98
Exhaust Manifold Assembly .....	99
Diesel Particulate Filter Assembly .....	100
Camshaft and Driving Gear Assembly .....	102
Turbine Assembly .....	103
Crankshaft and Piston Assembly .....	104
Lubrication and Oil System Assembly .....	105
Lubrication Oil Line Assembly .....	106
Cooling Water System Assembly .....	107
Fuel System Assembly .....	108
Fuel Injection Valve Assembly .....	109
Fuel Line Assembly .....	110
Starting Motor Assembly .....	111
Generator Assembly .....	112
Electric Parts Assembly .....	113
Gasket Set .....	114
Attachments and Accessories .....	116



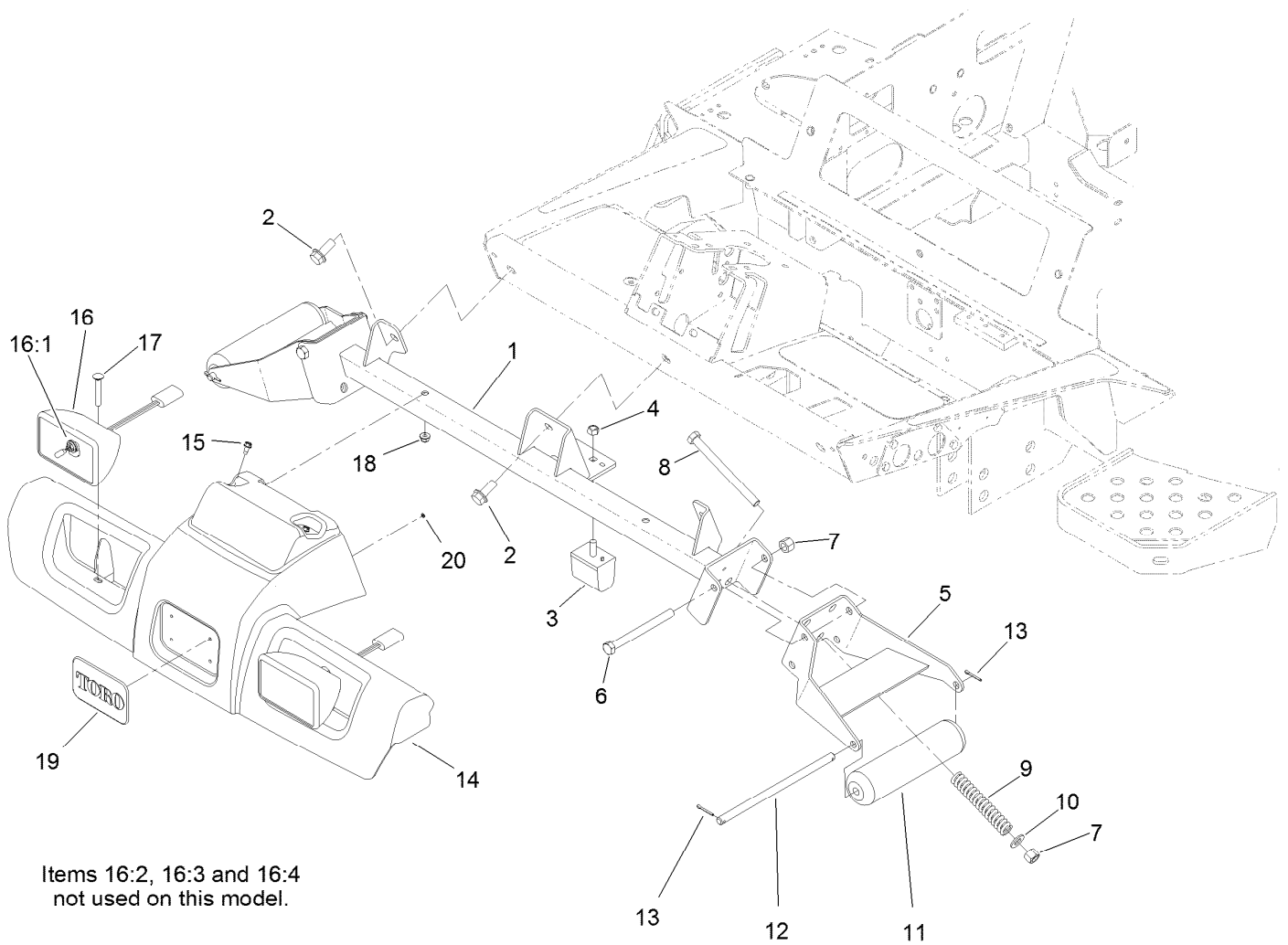
## Frame and Roll-Over Protection System Assembly

<i>Ref.</i>	<i>Part Number</i>	<i>Qty.</i>	<i>Description</i>	<i>Ref.</i>	<i>Part Number</i>	<i>Qty.</i>	<i>Description</i>
1	120-8086	1	Front Frame ASM	10	32128-20	2	Nut-HF
2	120-8007-03	1	Frame-Rear	11	119-0006	1	Access Plate ASM
3	108-4018	1	ROPS ASM	11:2	105-9860	2	Seal-Foam
3:3	98-4387	1	Decal-Protection, Ear	12	75-1410-01	1	Plate-Access, Floor
4	3234-38	12	Screw-HHF	13	125-4614	1	Tread-Foot, Center
5	104-5584-03	2	Plate-Reinforcement, ROPS	14	3234-7	6	Screw-HHF
6	325-20	4	Screw-HH	16	72-3560	2	Decal
7	32128-49	4	Nut-HHF	17	106-6754	1	Decal-Danger
8	104-5516-01	1	Support-Tube	19	127-6448	1	Decal-Danger, CE (21 DEG)
9	3230-23	2	Screw-CARR	20	112-5297	1	Decal-Danger



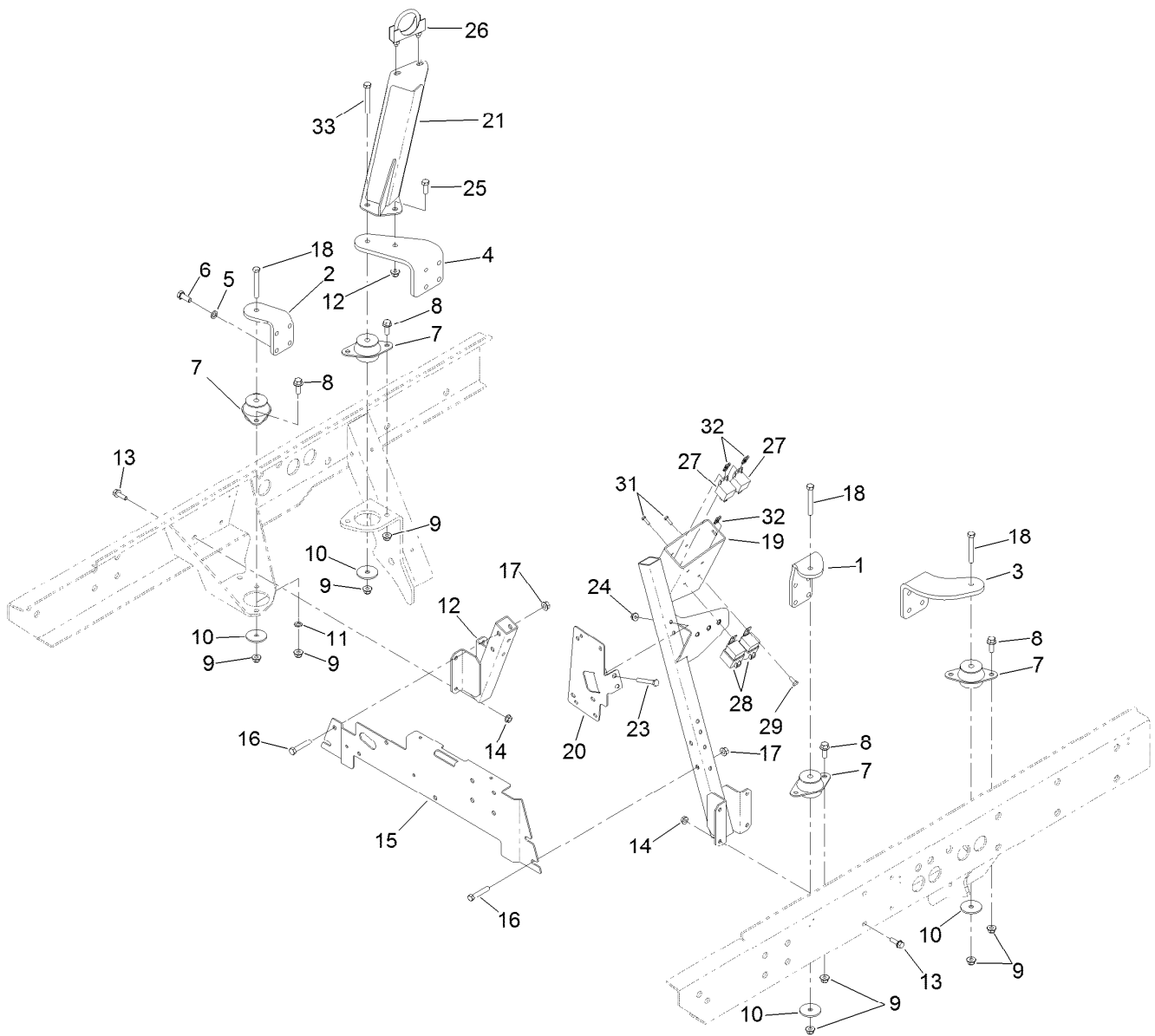
## Front Frame Assembly No. 120-8086

<i>Ref.</i>	<i>Part Number</i>	<i>Qty.</i>	<i>Description</i>
2	93-7592	2	Tread-Rest, Foot
3	75-0620	1	Tread-Foot, LH
4	104-5223	1	Tread-Foot, RH
5	32148-7	10	Nut-Clinch
8	105-9860	2	Seal-Foam
9	106-7794-01	2	Plate-Mount, HYD Fitting
10	322-3	8	Screw-HH
11	32128-20	8	Nut-HF



## Front Shroud Assembly

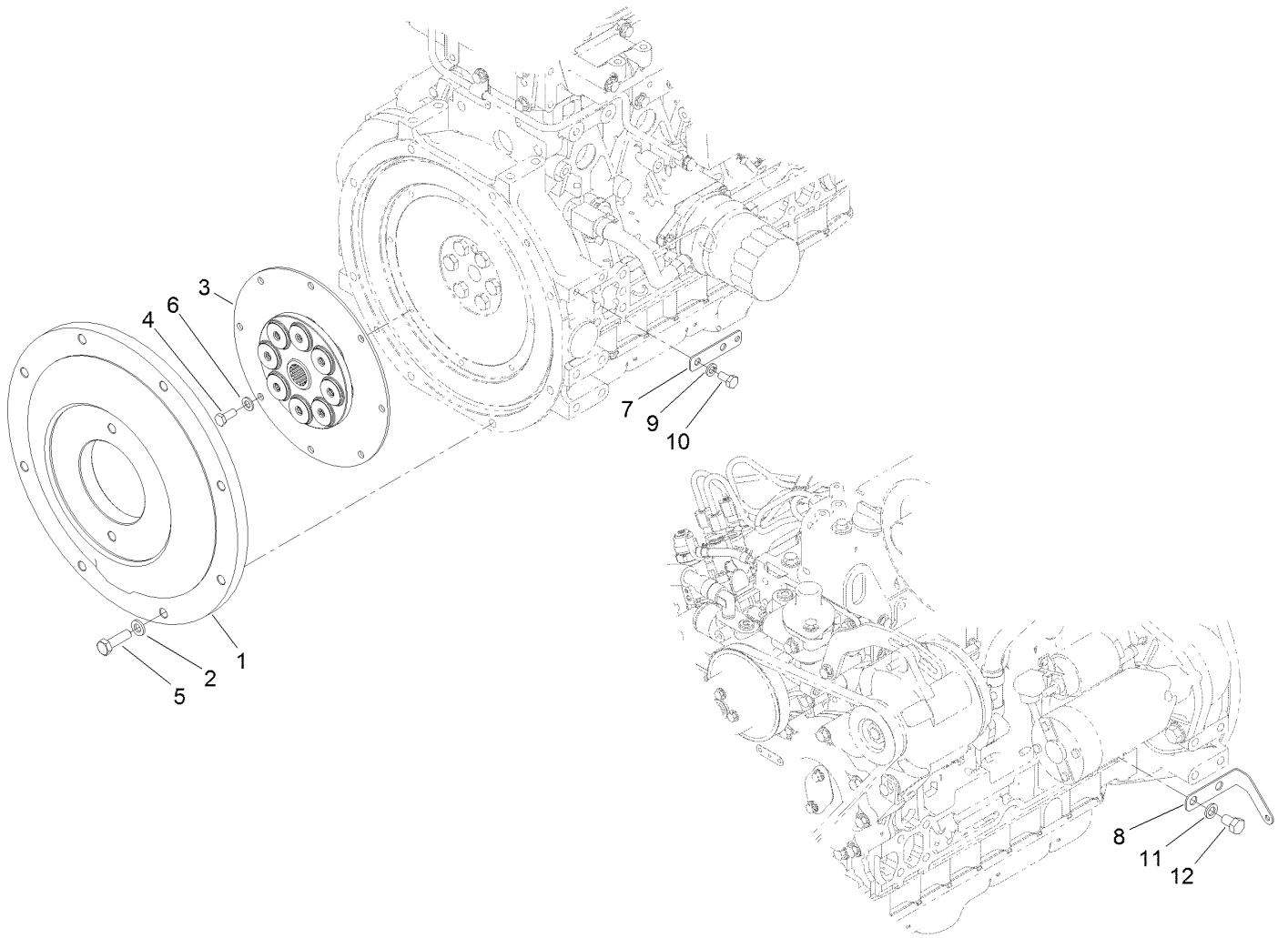
Ref.	Part Number	Qty.	Description	Ref.	Part Number	Qty.	Description
1	117-4760-01	1	Support-Roller	13	3272-11	4	Pin-Cotter
2	3234-38	3	Screw-HHF	14	115-9137	1	Shroud-Platform
3	87-3470	1	Bumper	15	32104-17	2	Screw-HWH
4	33025-00	1	Nut-Lock, NI	16	94-9024	2	Lamp ASM
5	105-3996-01	2	Support-Roller	16:1	95-0909	1	Lamp-12 Volt
6	325-22	2	Screw-HH	16:2	3230-28	1	Screw-CARR
7	3296-23	4	Nut-Lock, NI	16:3	3253-33	1	Washer-Lock
8	325-20	2	Screw-HH	16:4	3217-6	1	Nut-Hex
9	105-3970	2	Spring-Compression	17	3230-7	2	Bolt-CARR
10	3256-26	2	Washer-Flat	18	104-8300	2	Nut-HF, NI
11	105-9816	2	Roller-Plastic	19	93-6028	1	Plate-Logo
12	104-5545	2	Shaft-Roller	20	3254-9	4	Washer-Lock, Internal



## Engine Mount Assembly

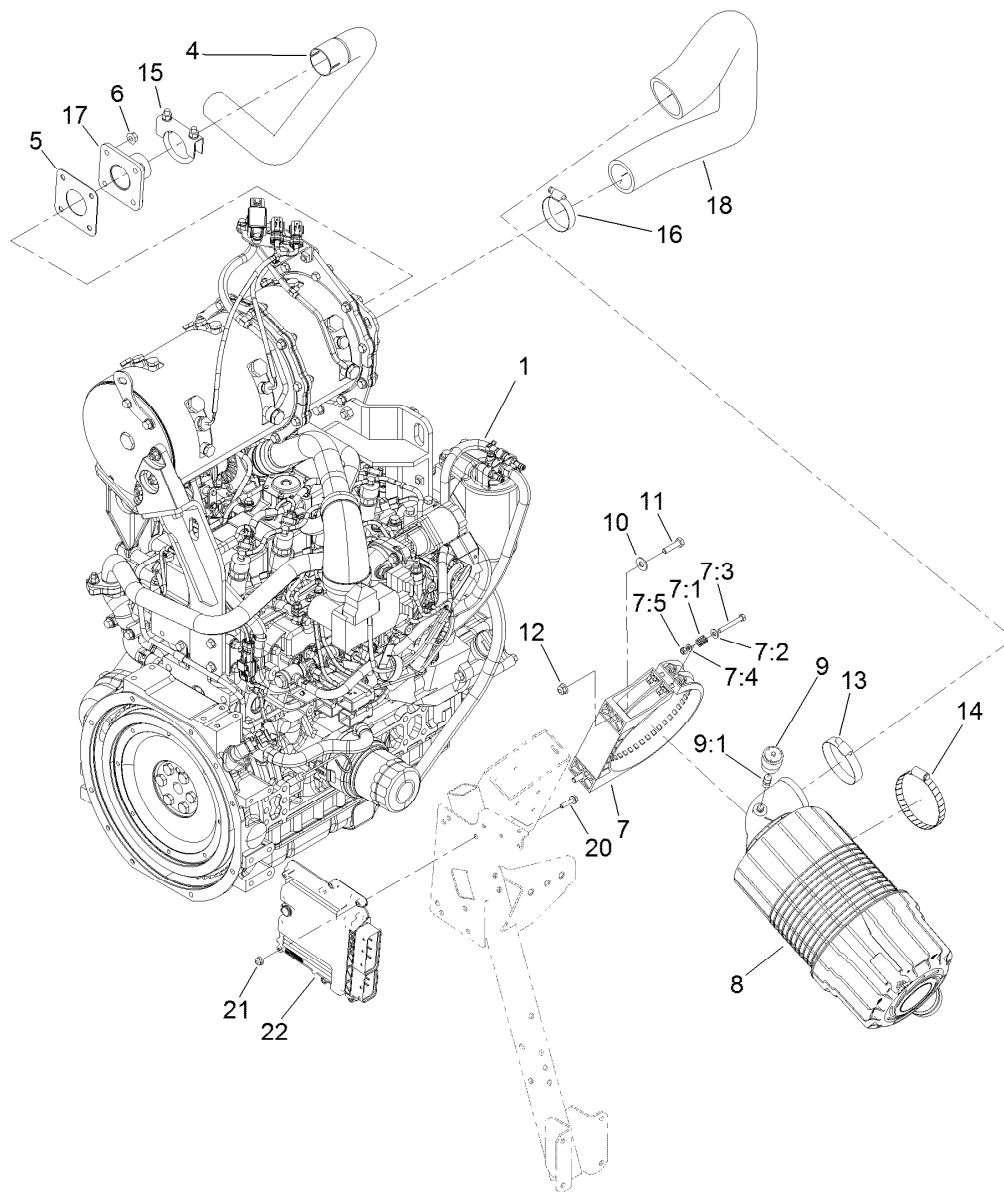
Ref.	Part Number	Qty.	Description	Ref.	Part Number	Qty.	Description
1	120-8001-03	1	Mount-Engine, Front (LH)	17	32128-21	4	Nut-HF
2	120-8002-03	1	Mount-Engine, Front (RH)	18	323-13	3	Screw-HH
3	120-8003-03	1	Mount-Engine, Rear (LH)	19	121-3140-03	1	Bracket-Mount, Air Cleaner
4	120-8004-03	1	Mount-Engine, Rear (RH)	20	121-3102-03	1	Bracket-Controller
5	48-9590	16	Washer-Lock	21	121-3098-03	1	Support-Tailpipe
6	33115-025	16	Screw-HH	23	322-11	2	Screw-HH
7	53-9682	4	Mount-Engine	24	104-8300	2	Nut-HF, NI
8	3234-11	8	Screw-HHF	25	323-6	1	Screw-HH
9	104-8301	13	Nut-HF, NI	26	18-2130	1	Clamp
10	63-7400	4	Washer-Rebound	27	99-7435	2	Relay
11	3255-9	1	Washer-Lock	28	99-7430	2	Relay-Mini
12	104-5420-03	1	Support-Battery	29	321-3	2	Screw-HH
13	3234-29	8	Screw-HHF	31	3290-134	2	Screw
14	32128-20	8	Nut-HF	32	3290-277	4	Nut-Speed
15	114-8134-03	1	Bracket-Support	33	323-14	1	Screw-HH
16	323-10	4	Screw-HH				





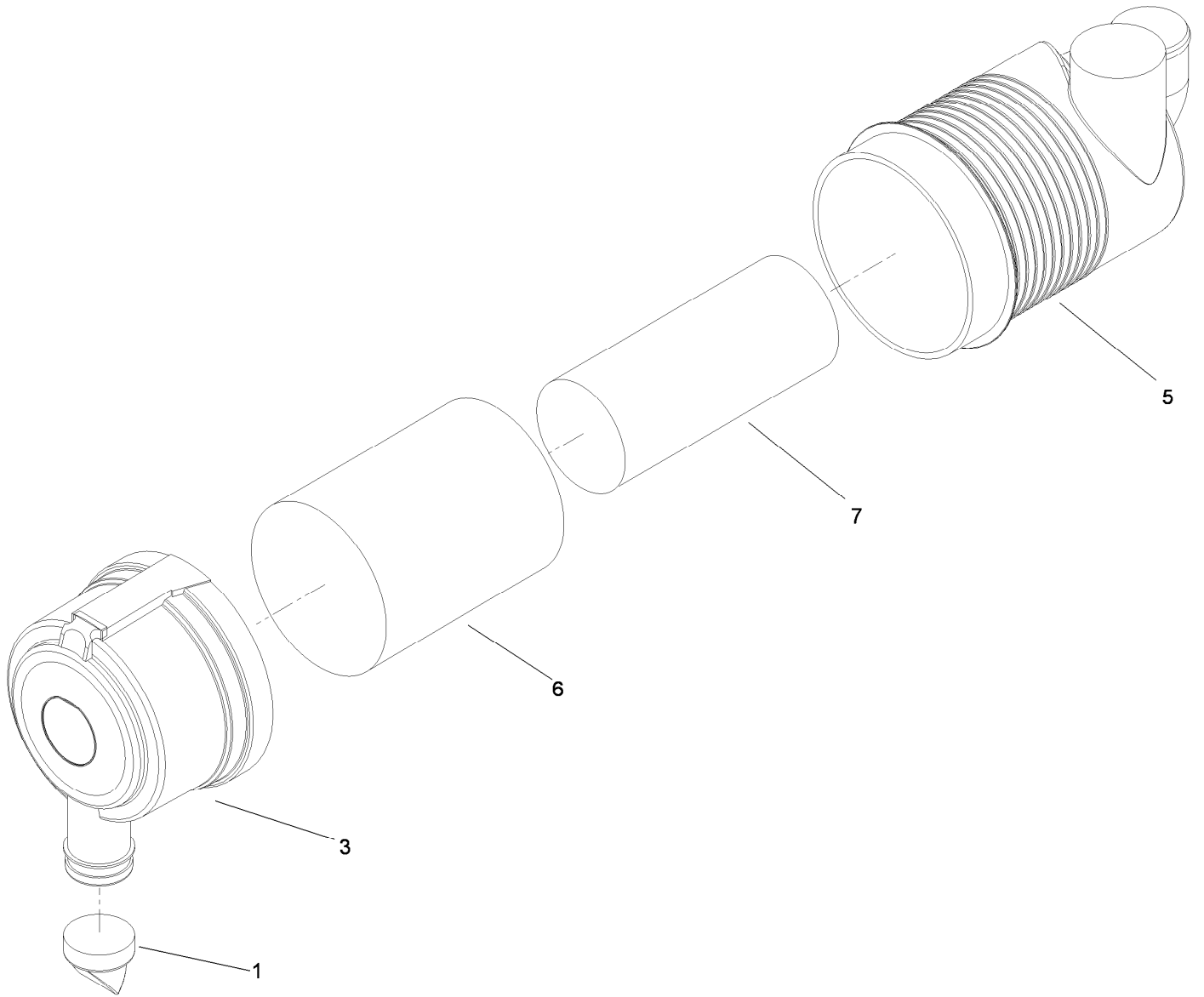
## Flywheel Assembly

<i>Ref.</i>	<i>Part Number</i>	<i>Qty.</i>	<i>Description</i>
1	115-6657-03	1	Plate-Flywheel
2	107-1413	8	Washer-Hardened
3	120-4176	1	Coupling-Spring, Flywheel
4	99-5132	8	Bolt
5	117-5663	8	Screw-HH
6	87-7510	8	Washer-Flat
7	121-5636	1	Tab-Harness
8	121-6580	1	Bracket-Harness
9	3253-4	2	Washer-Lock
10	33114-016	2	Screw-HH
11	48-9590	2	Washer-Lock
12	33115-016	2	Screw-HH



## Engine, Air Cleaner and Controller Assembly

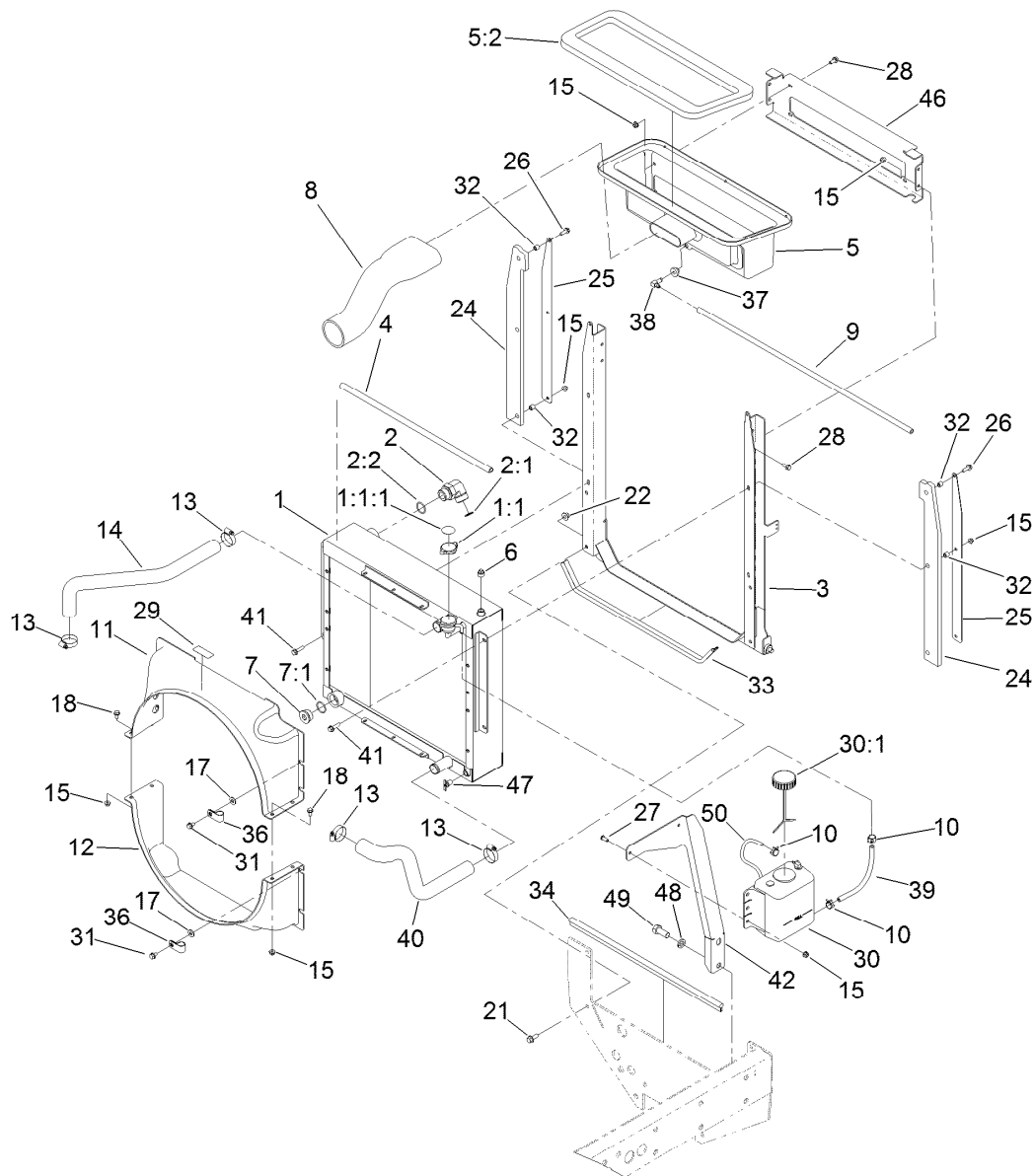
<i>Ref.</i>	<i>Part Number</i>	<i>Qty.</i>	<i>Description</i>	<i>Ref.</i>	<i>Part Number</i>	<i>Qty.</i>	<i>Description</i>
1	120-4111	1	Engine ASM	10	3256-3	2	Washer-Flat
4	121-3061	1	Pipe-Exhaust	11	322-6	2	Screw-HH
5	121-3058	1	Gasket-Exhaust	12	104-8300	2	Nut-HF, NI
6	33004-00	4	Nut-HF	13	2412-125	1	Clamp-Hose
7	99-5414	1	Strap-Cleaner, Air	14	2412-110	1	Clamp-Band/Screw
7:1	108-1512	2	Spring	15	18-2130	1	Clamp
7:2	3256-22	2	Washer-Flat	16	2412-130	1	Clamp-Hose
7:3	33113-050	2	Screw-HH	17	121-3060	1	Flange-Exhaust
7:4	33093-00	2	Washer-Flat	18	121-3142	1	Hose-Air Cleaner, Outlet
7:5	33023-00	2	Nut-Lock	20	120-4654	4	Screw-HHF
8	99-5410	1	Air Cleaner ASM	21	104-7201	4	Nut-HF
9	104-3563	1	Indicator	22	121-5592	1	Electronic Control Unit
9:1	94-1416	1	Adapter-Indicator				



## Air Cleaner Assembly No. 99-5410

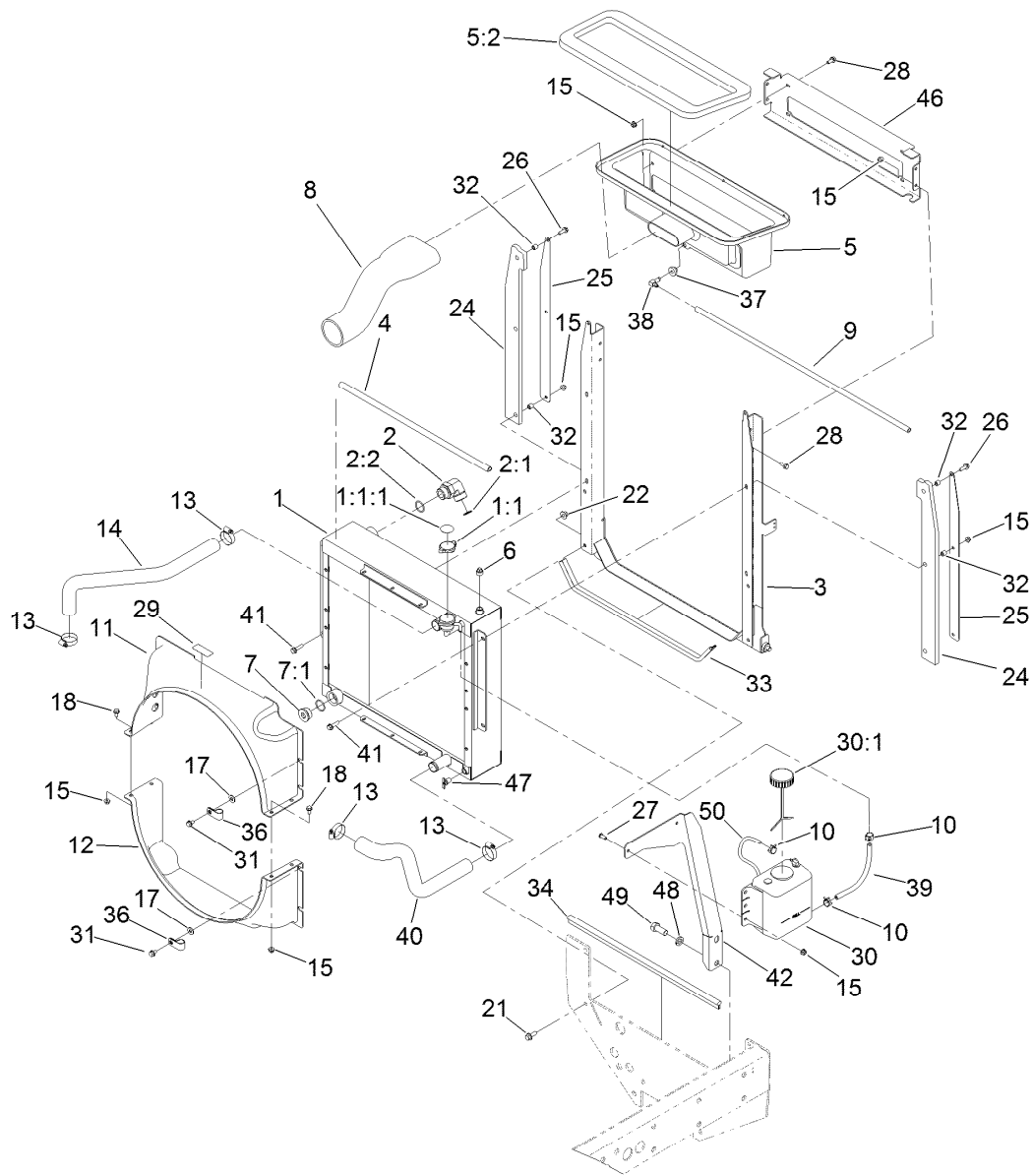
<i>Ref.</i>	<i>Part Number</i>	<i>Qty.</i>	<i>Description</i>
1	104-4258	1	Valve-Vacuator
3	104-4259	1	Cover
5		1	Body ASM ●
6	108-3814	1	Filter-Air
7	108-3816	1	Filter-Air

● Not serviced separately



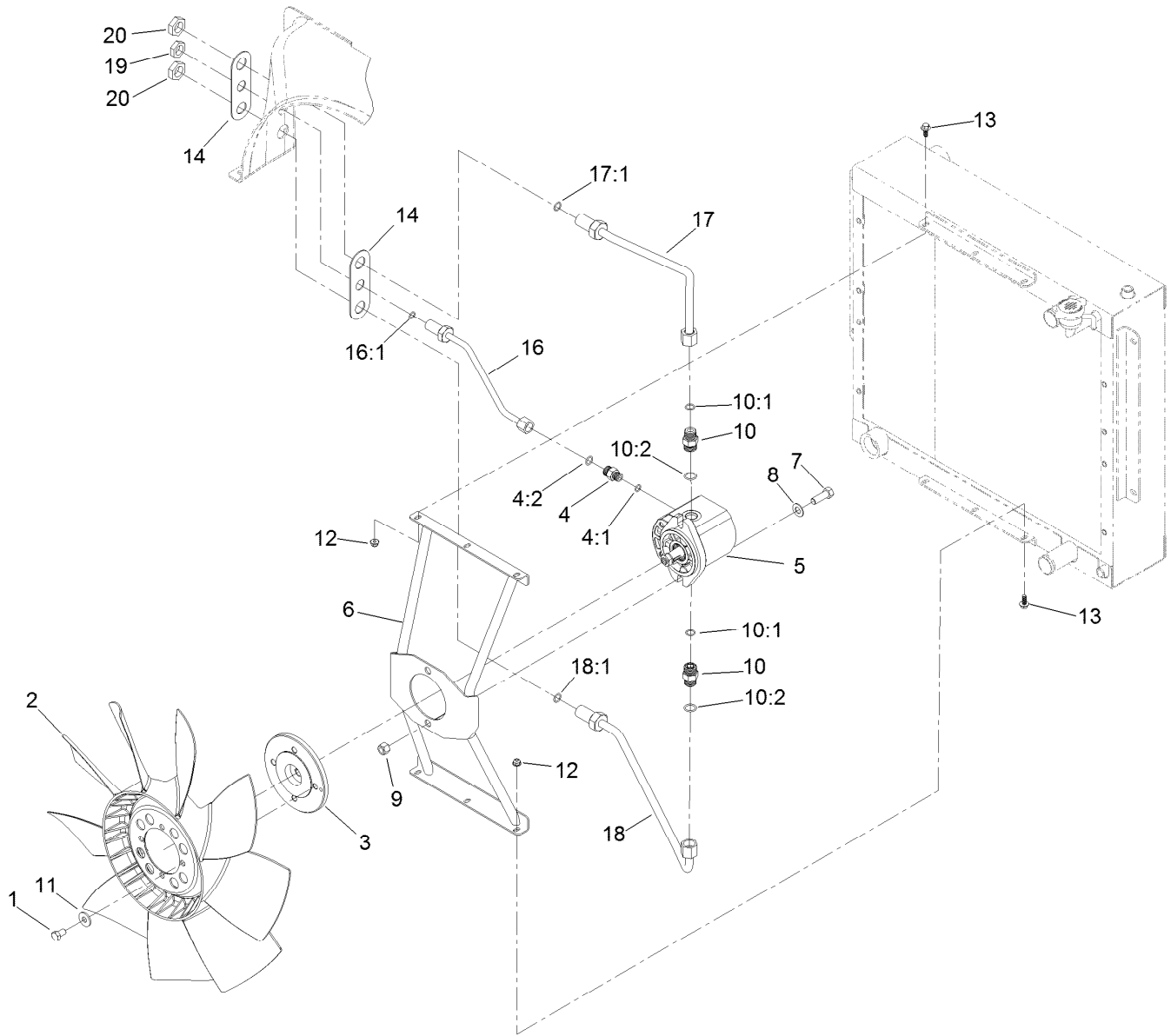
## Radiator Assembly

Ref.	Part Number	Qty.	Description	Ref.	Part Number	Qty.	Description
1	121-3080	1	Radiator/Oil Cooler	17	3256-3	8	Washer-Flat
1:1	115-7766	1	Cap-Radiator	18	3234-7	4	Screw-HHF
1:1:1	106-6755	1	Decal-Cap, Radiator	21	3234-11	4	Screw-HHF
2	340-129	2	Fitting-Elbow, 90 DEG	22	32128-43	4	Nut-Flange
2:1	237-146	1	O-Ring	24	121-3087	2	Seal-Foam, Hood
2:2	340-65	1	O-Ring	25	121-3086-03	2	Bracket-Seal, Hood
3	121-3084-03	1	Mount-Radiator	26	32144-41	2	Screw-Taptite
4	114-3828	1	Seal-Bulb	27	3274-55	2	Screw-HSBH
5	115-4363	1	Plenum ASM	28	3234-47	12	Screw-HHF
5:2	115-4393	1	Seal-Plenum	29	117-4766	1	Decal-Warning, Fan
6	281-13	1	Plug-Pipe	30	120-5571	1	Coolant Reservoir ASM
7	105-3921	1	Fitting-Plug	30:1	87-7050	1	Cap-Reservoir
7:1	237-146	1	O-Ring	31	3234-30	8	Screw-HHF
8	121-3143	1	Hose-Air Cleaner, Inlet	32	1-603903	6	Spacer
9	110-3258	1	Hose-Fuel	33	117-4782	1	Seal-Bulb
10	92-2379	4	Clamp-Hose	34	105-9858	1	Seal-Bulb
11	125-4615	1	Shroud-Radiator, Upper	36	2412-81	2	Clamp-R
12	121-3106	1	Shroud-Radiator, Lower	37	46-6560	1	Bushing
13	2412-111	4	Clamp	38	46-6550	1	Fitting-Elbow, 90 DEG
14	121-1476	1	Hose-Radiator, Upper	39	109-0282	1	Hose-Fuel
15	104-8300	22	Nut-HF, NI	40	121-1477	1	Hose-Radiator, Lower



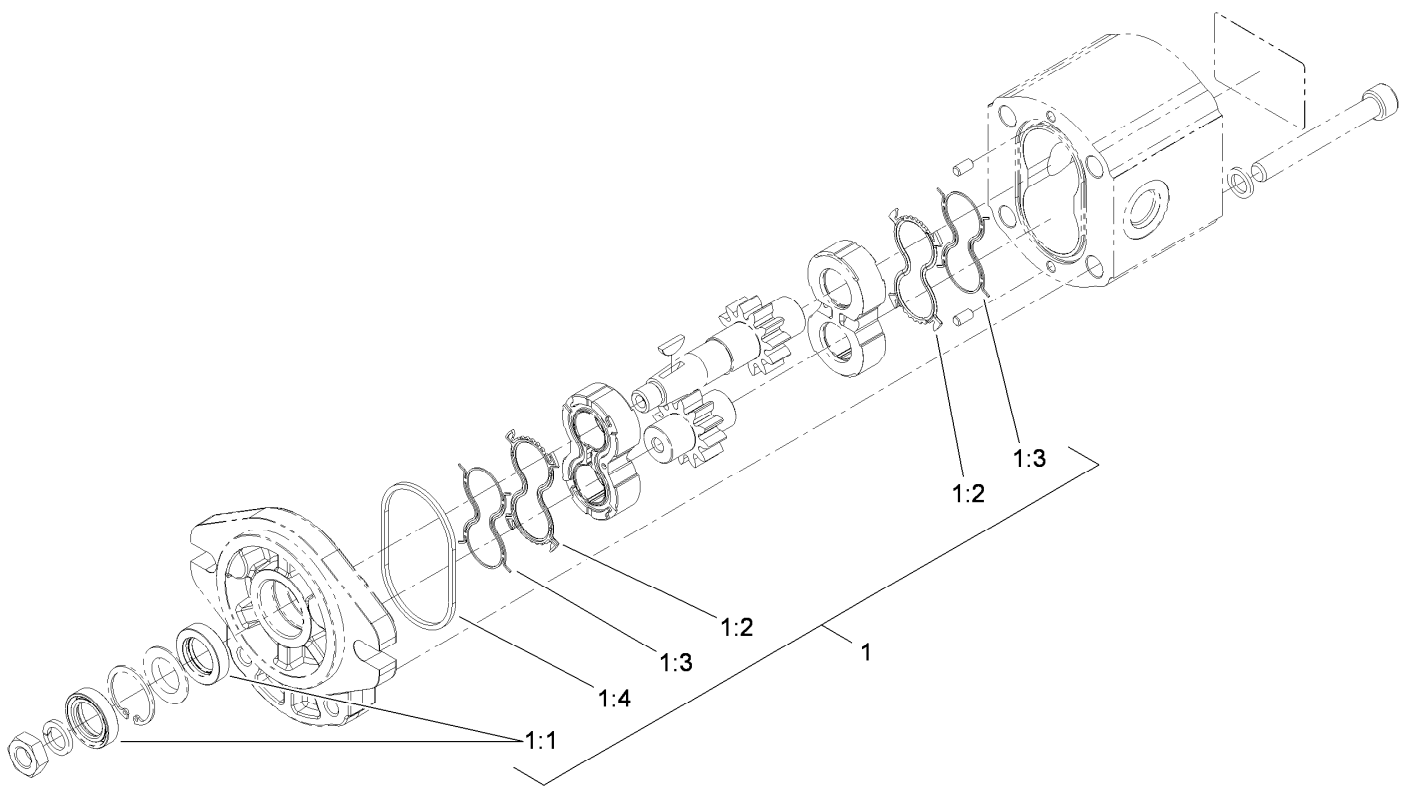
## Radiator Assembly (continued)

<i>Ref.</i>	<i>Part Number</i>	<i>Qty.</i>	<i>Description</i>	<i>Ref.</i>	<i>Part Number</i>	<i>Qty.</i>	<i>Description</i>
41	3234-36	4	Screw-HHF	48	3253-8	2	Washer-Lock
42	125-4609-03	1	Bracket-Mount, Tank	49	3218-6	2	Nut-Jam
46	121-3085	1	Plate-Crossover	50	109-0273	1	Hose-Fuel
47	304-46	1	Draincock				



## Fan Mounting Assembly

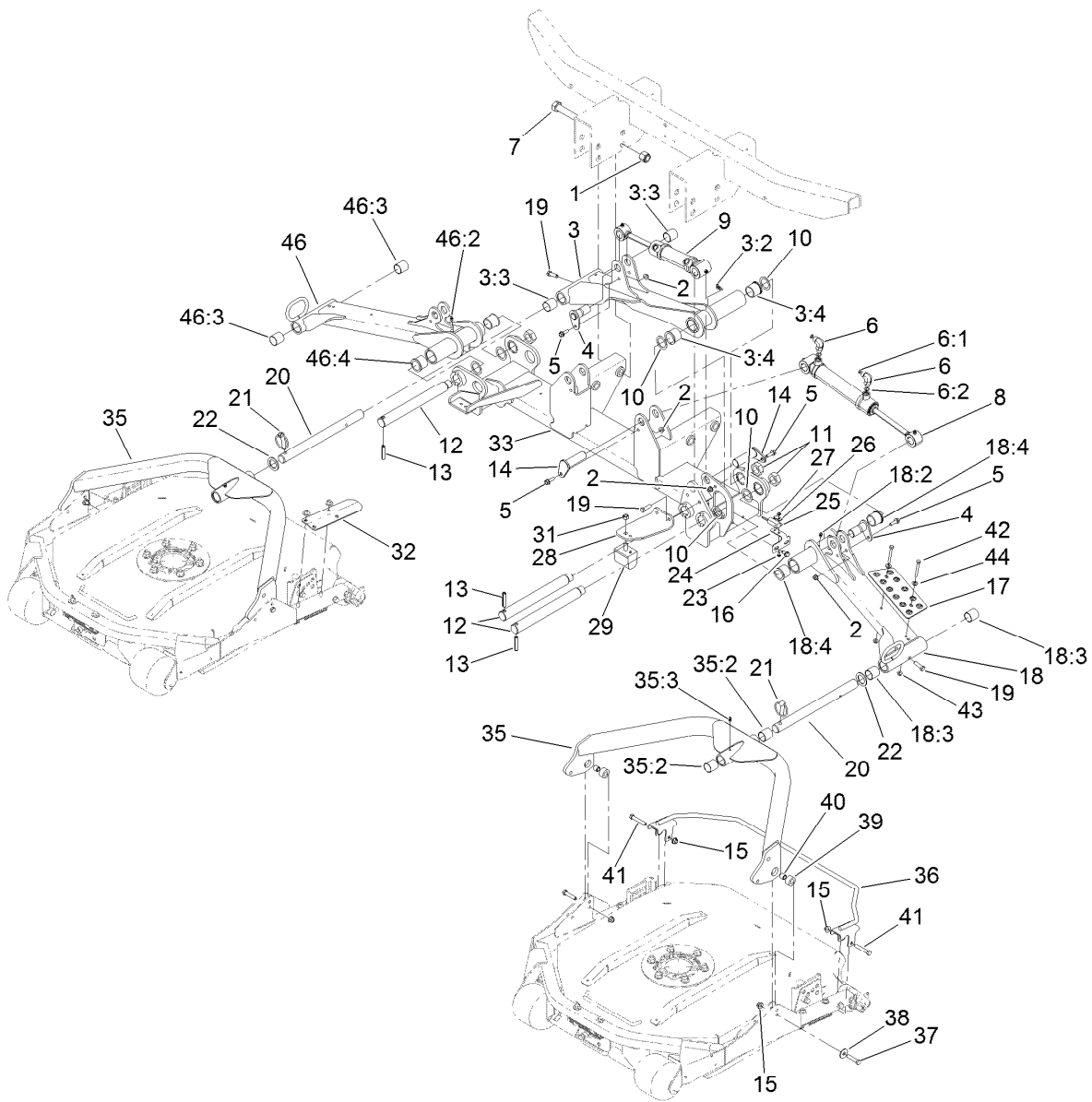
Ref.	Part Number	Qty.	Description	Ref.	Part Number	Qty.	Description
1	115-8486	4	Screw-HH	10:2	237-79	1	O-Ring
2	114-3825	1	Fan	11	80-6990	4	Washer-Hardened
3	117-2364	1	Hub-Fan	12	104-7201	6	Nut-HF
4	340-2	1	Fitting-Straight	13	99-6810	6	Screw-HHF
4:1	237-22	1	O-Ring	14	125-4610	2	Shim-Support
4:2	237-42	1	O-Ring	16	125-4598	1	Tube ASM
5	117-4769	1	HYD Motor ASM	16:1	237-22	1	O-Ring
6	120-8935-03	1	Bracket-Fan	17	125-4596	1	Tube ASM
7	324-5	2	Screw-HH	17:1	237-30	1	O-Ring
8	3256-25	2	Washer-Flat	18	125-4597	1	Tube ASM
9	3296-48	2	Nut-Hex	18:1	237-30	1	O-Ring
10	340-4	2	Fitting-Straight	19	340-70	1	Nut-Lock
10:1	237-30	1	O-Ring	20	340-127	2	Nut-Bulkhead



## Hydraulic Motor Assembly No. 117-4769

<i>Ref.</i>	<i>Part Number</i>	<i>Qty.</i>	<i>Description</i>
1	115-4110	1	Seal Kit
1:1		2	Seal-Shaft ●
1:2		2	Seal-Plate, Balancing ●
1:3		2	Seal-Anti Extrusion ●
1:4		2	O-Ring (Housing) ●

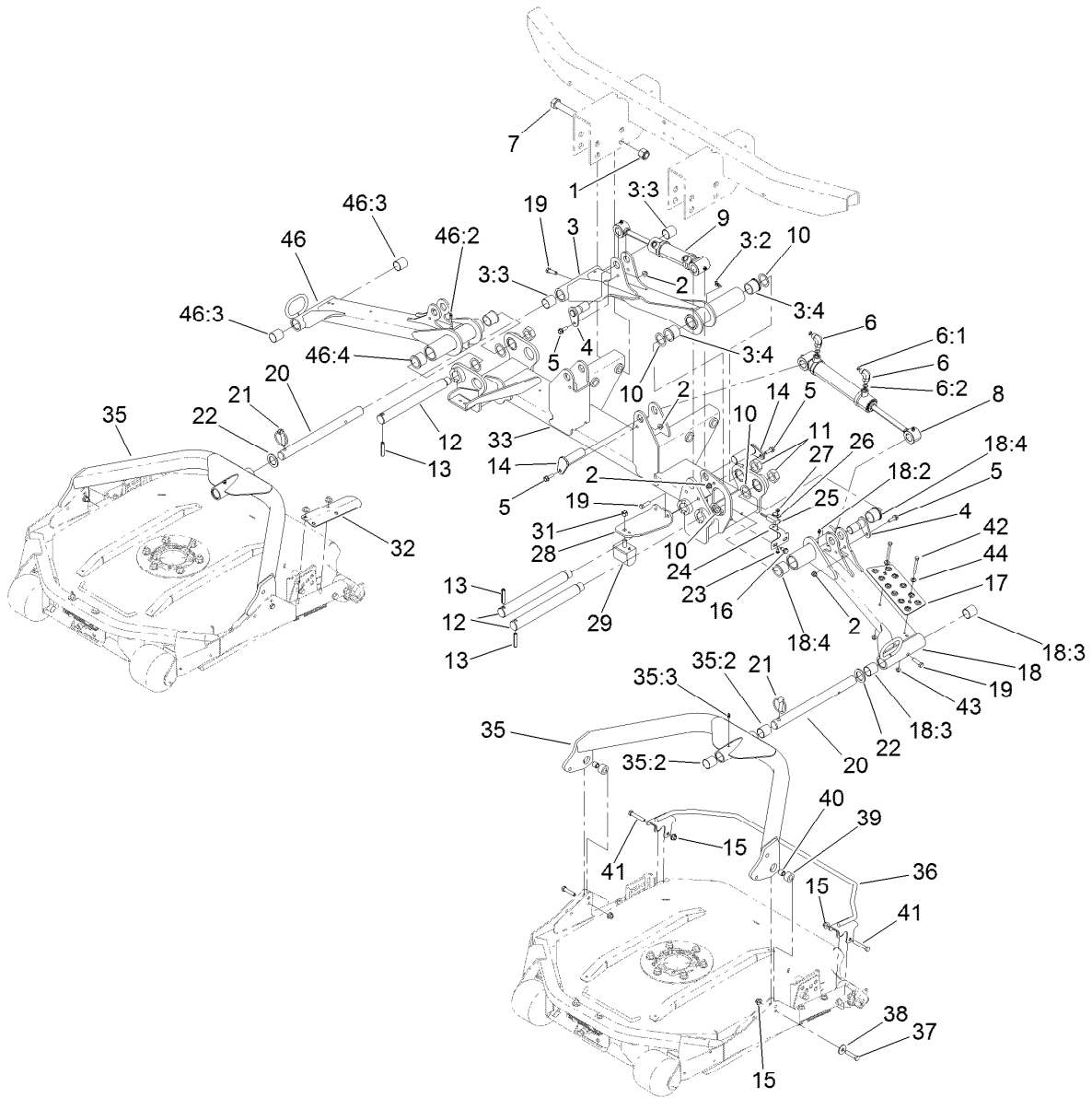
● Not serviced separately



## No. 1, No. 4 and No. 5 Lift Arm and Deck Assembly

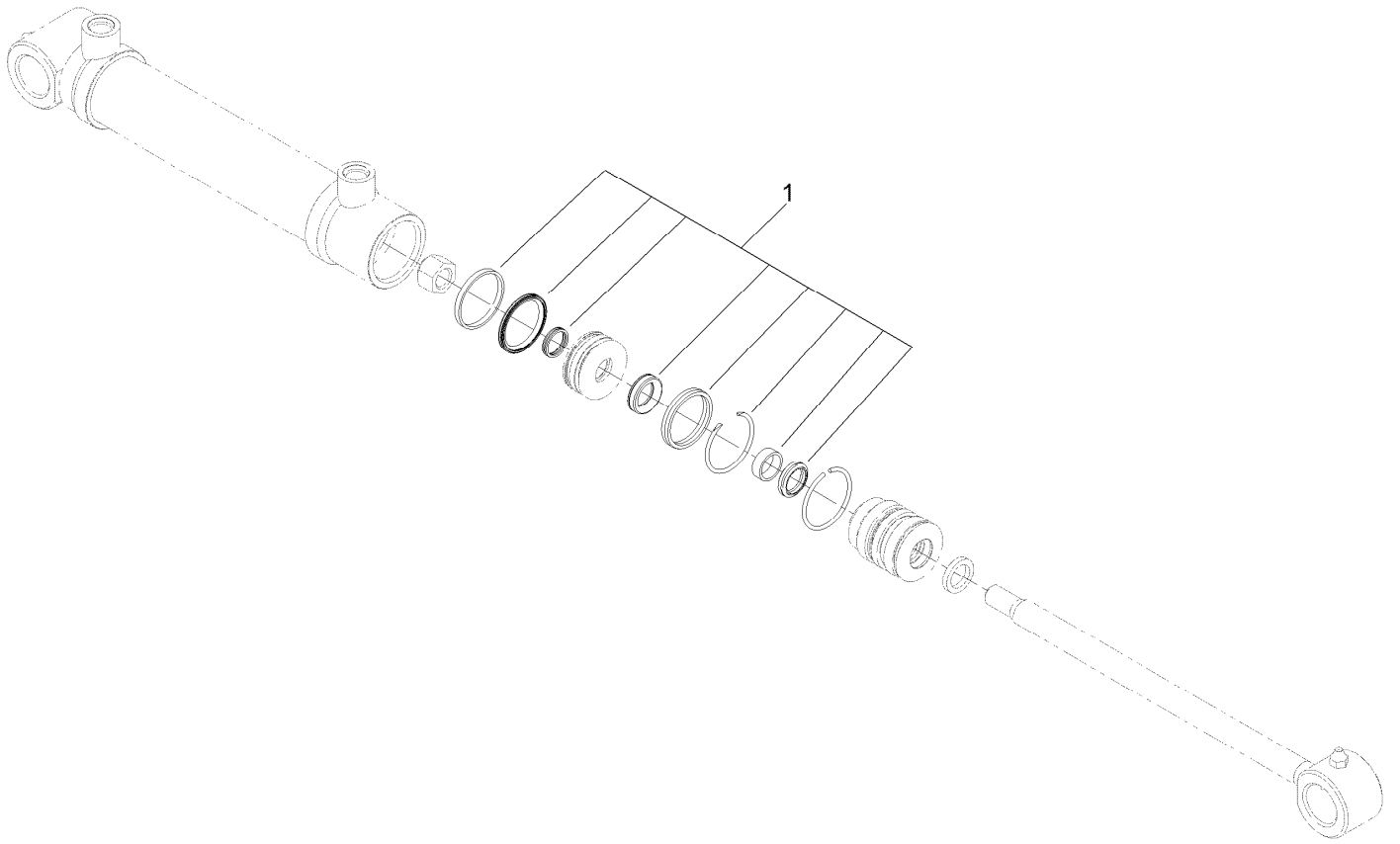
Ref.	Part Number	Qty.	Description	Ref.	Part Number	Qty.	Description
1	3296-51	4	Nut-Lock, NI	17	105-3987-03	1	Plate-Skid
2	104-8300	6	Nut-HF, NI	18	108-4033	1	No. 4 Lift Arm ASM
3	108-4032	1	No. 1 Lift Arm ASM	18:2	302-5	1	Fitting-Grease
3:2	302-60	1	Fitting-Grease	18:3	108-4000	2	Bushing
3:3	108-4000	2	Bushing	18:4	104-0015	2	Bushing-Flange
3:4	104-0015	2	Bushing-Flange	19	323-7	5	Screw-HH
4	104-5525	3	Pin-Cylinder	20	108-4023	3	Shaft-Carrier, Pivot
5	3234-17	6	Screw-HHF	21	283-71	3	Pin-Lynch
6	340-77	6	Fitting-Elbow, 90 DEG	22	3-6781	3	Washer-Thrust
6:1	237-22	1	O-Ring	23	104-1450	2	Bolt-CARR
6:2	237-42	1	O-Ring	24	104-5585	2	Bracket-Switch
7	328-7	4	Screw-HH	25	106-9288	2	Sensor-Proximity, Ferrous
8	127-6429	2	Lift Cylinder ASM	26	100-4872	2	Plate-Switch, Neutral
9	127-6427	1	Lift Cylinder ASM	27	32149-7	2	Nut-Keps
10	76-2980	6	Washer-Thrust	28	104-5689-03	1	Bracket-Support, Bumper
11	3296-49	3	Nut-Lock, NI	29	87-3470	2	Bumper
12	95-7158	3	Pin-Pivot	31	33025-00	2	Nut-Lock, NI
13	32121-110	3	Pin-Roll, Slotted	32	105-9831-03	2	Bracket-Bumper, No. 1
14	125-1906	3	Pin-Cylinder	33	104-5680-03	1	Frame-Carrier, Front
15	104-8301	12	Nut-HF, NI	35	115-3453	3	Carrier Frame ASM
16	32104-32	4	Screw-HWH	35:2	108-4000	2	Bushing





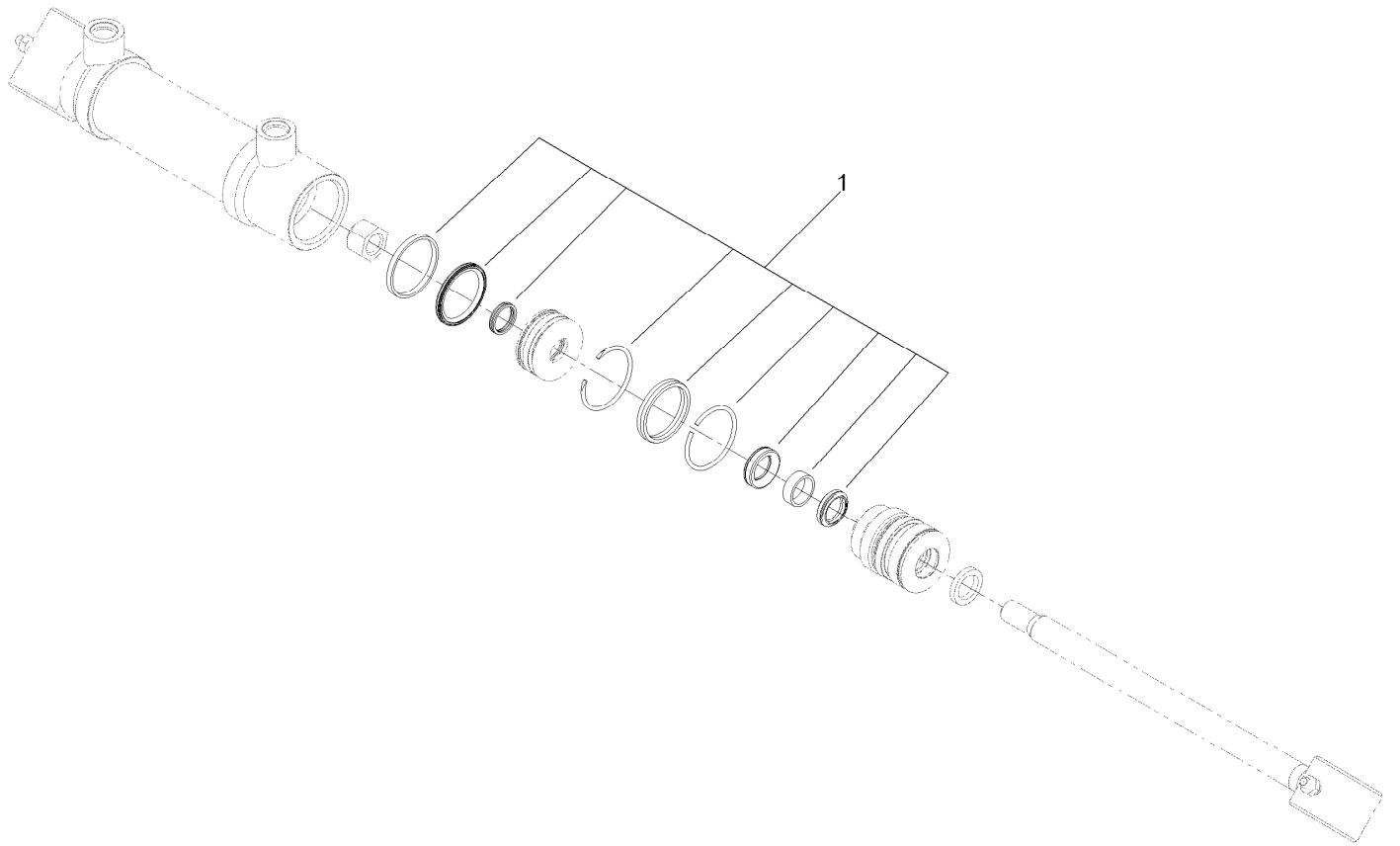
## No. 1, No. 4 and No. 5 Lift Arm and Deck Assembly (continued)

<i>Ref.</i>	<i>Part Number</i>	<i>Qty.</i>	<i>Description</i>	<i>Ref.</i>	<i>Part Number</i>	<i>Qty.</i>	<i>Description</i>
35:3	302-5	1	Fitting-Grease	42	321-15	2	Screw-HH
36	112-9900-03	2	Guard-Foot	43	32128-33	2	Nut-HF
37	323-52	6	Screw-HH	44	3256-23	2	Washer-Plain
38	93-8806	6	Washer-Hardened	46	108-4034	1	No. 5 Lift Arm ASM
39	105-9823	6	Bushing-Carrier	46:2	302-5	1	Fitting-Grease
40	105-9822	6	Spacer	46:3	108-4000	2	Bushing
41	323-11	4	Screw-HH	46:4	104-0015	2	Bushing-Flange



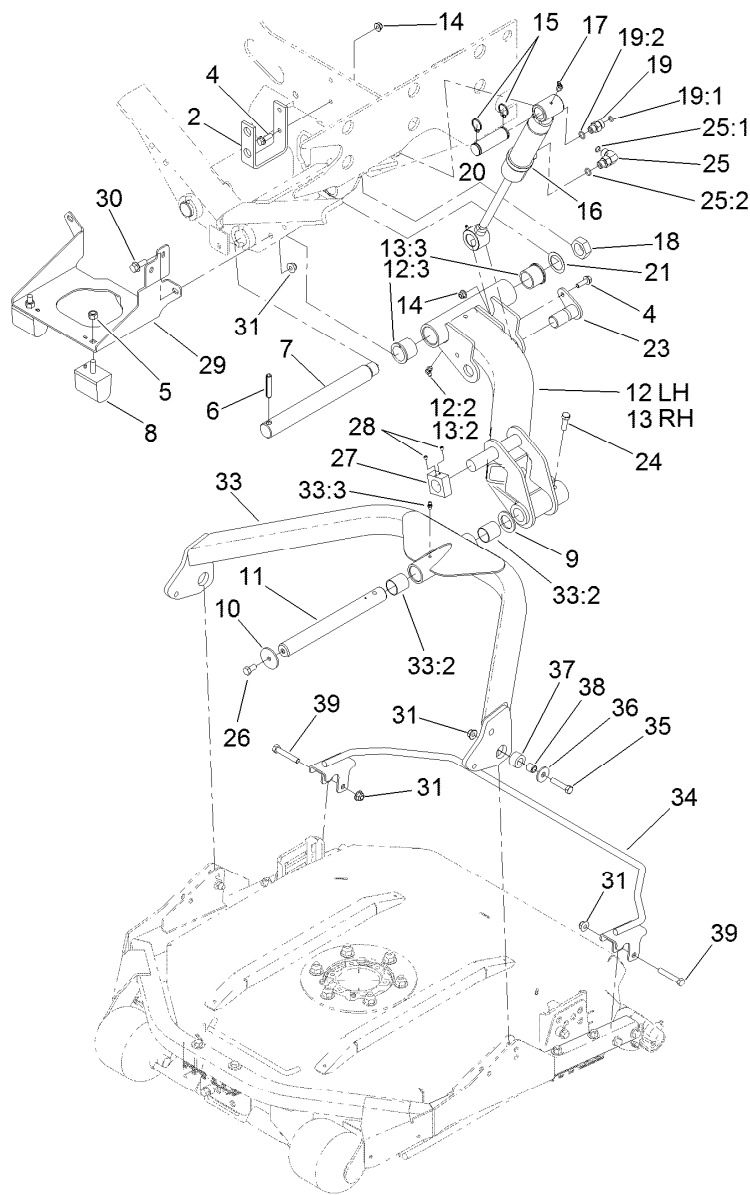
## Lift Cylinder Assembly No. 127-6429

<i>Ref.</i>	<i>Part Number</i>	<i>Qty.</i>	<i>Description</i>
1	131-7755	1	Cylinder Seal Kit



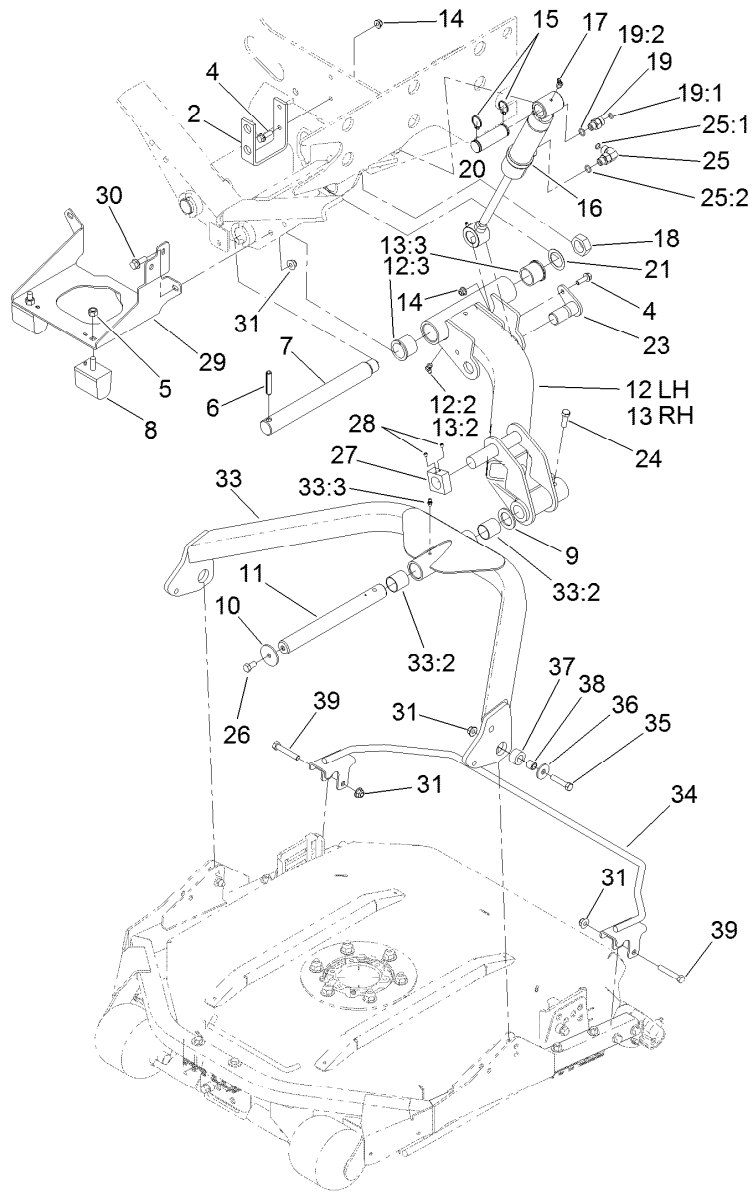
## Lift Cylinder Assembly No. 127-6427

<i>Ref.</i>	<i>Part Number</i>	<i>Qty.</i>	<i>Description</i>
1	131-7755	1	Cylinder Seal Kit



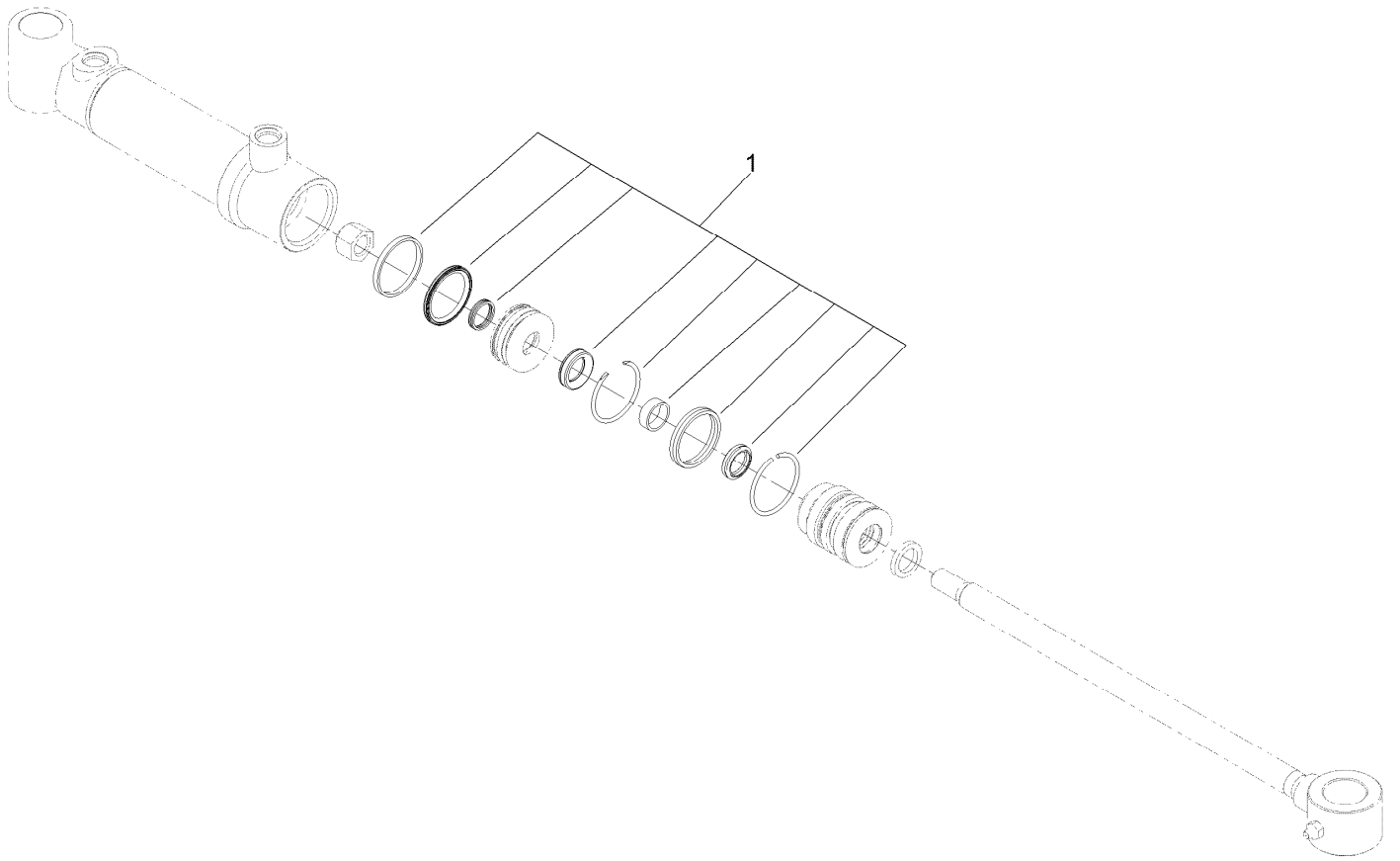
## No. 2 and 3 Lift Arm and Deck Assembly

Ref.	Part Number	Qty.	Description	Ref.	Part Number	Qty.	Description
2	105-3992-03	1	Bracket-Bulkhead	19:1	237-22	1	O-Ring
4	3234-17	4	Screw-HHF	19:2	237-42	1	O-Ring
5	33025-00	2	Nut-Lock, NI	20	92-7548	2	Pin-Cylinder
6	32121-110	2	Pin-Roll, Slotted	21	76-2980	2	Washer-Thrust
7	95-7158	2	Pin-Pivot	23	104-5525	2	Pin-Cylinder
8	87-3470	2	Bumper	24	323-7	2	Screw-HH
9	3-6781	2	Washer-Thrust	25	340-77	2	Fitting-Elbow, 90 DEG
10	63-7400	2	Washer-Rebound	25:1	237-22	1	O-Ring
11	105-9827	2	Shaft	25:2	237-42	1	O-Ring
12	105-9202	1	No. 2 Lift Arm ASM	26	323-4	2	Screw-HH
12:2	302-60	1	Fitting-Grease	27	105-9839	2	Stop-Rotation, No. 2 And 3
12:3	104-0015	2	Bushing-Flange	28	3245-1	4	Screw-Set, HSH
13	105-9203	1	No. 3 Lift Arm ASM	29	131-7765-03	1	Support-Bumper, Rear
13:2	302-60	1	Fitting-Grease	30	3234-11	3	Screw-HHF
13:3	104-0015	2	Bushing-Flange	31	104-8301	11	Nut-HF, NI
14	104-8300	4	Nut-HF, NI	33	115-3453	2	Carrier Frame ASM
15	32151-36	4	Ring-Retaining	33:2	108-4000	2	Bushing
16	127-6428	2	Lift Cylinder ASM	33:3	302-5	1	Fitting-Grease
17	302-11	2	Fitting-Lube, 45 DEG	34	112-9900-03	2	Guard-Foot
18	3296-49	2	Nut-Lock, NI	35	323-52	4	Screw-HH
19	340-2	2	Fitting-Straight	36	93-8806	4	Washer-Hardened



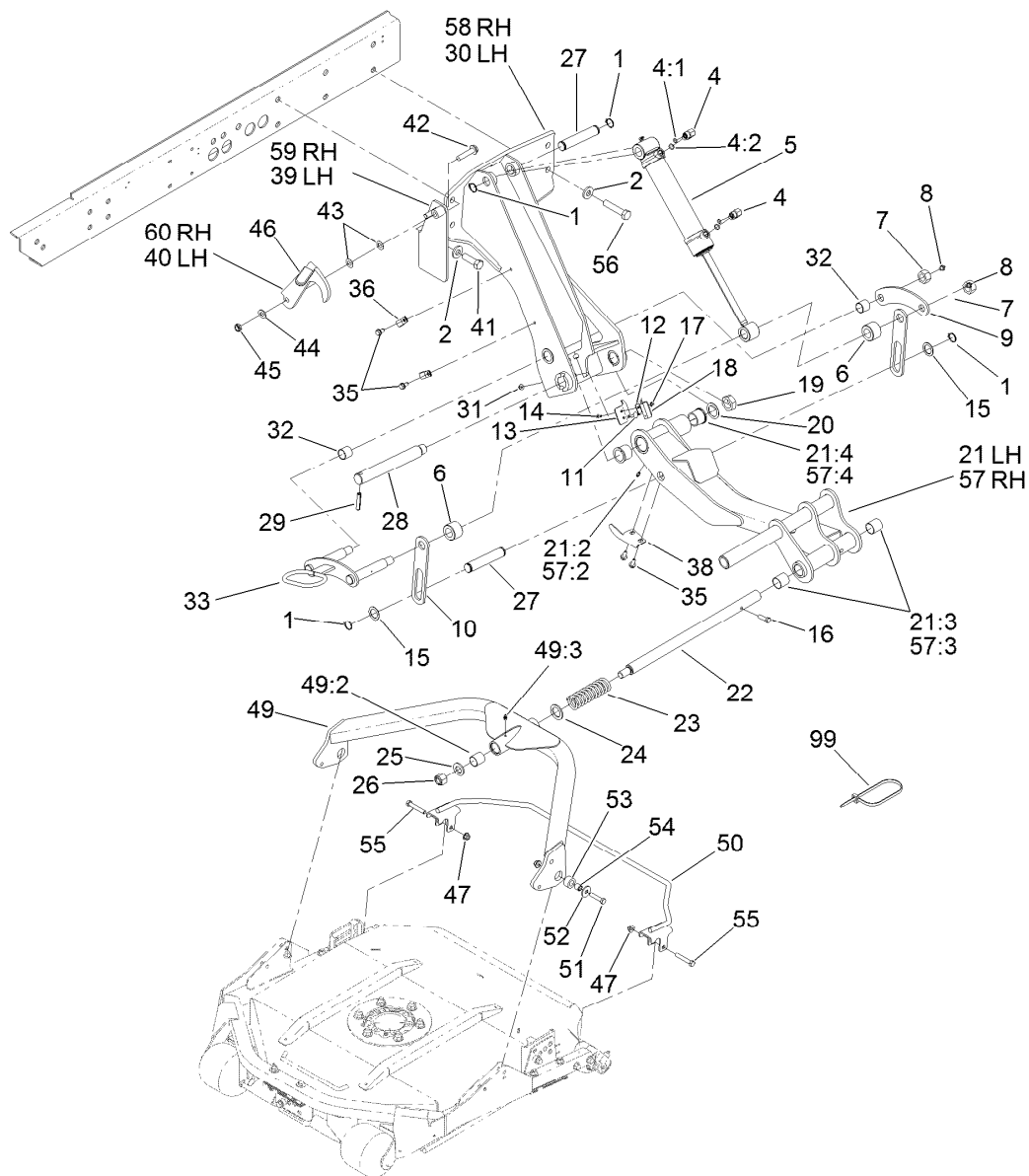
## No. 2 and 3 Lift Arm and Deck Assembly (continued)

<i>Ref.</i>	<i>Part Number</i>	<i>Qty.</i>	<i>Description</i>	<i>Ref.</i>	<i>Part Number</i>	<i>Qty.</i>	<i>Description</i>
37	105-9823	4	Bushing-Carrier	38	105-9822	4	Spacer
				39	323-11	4	Screw-HH



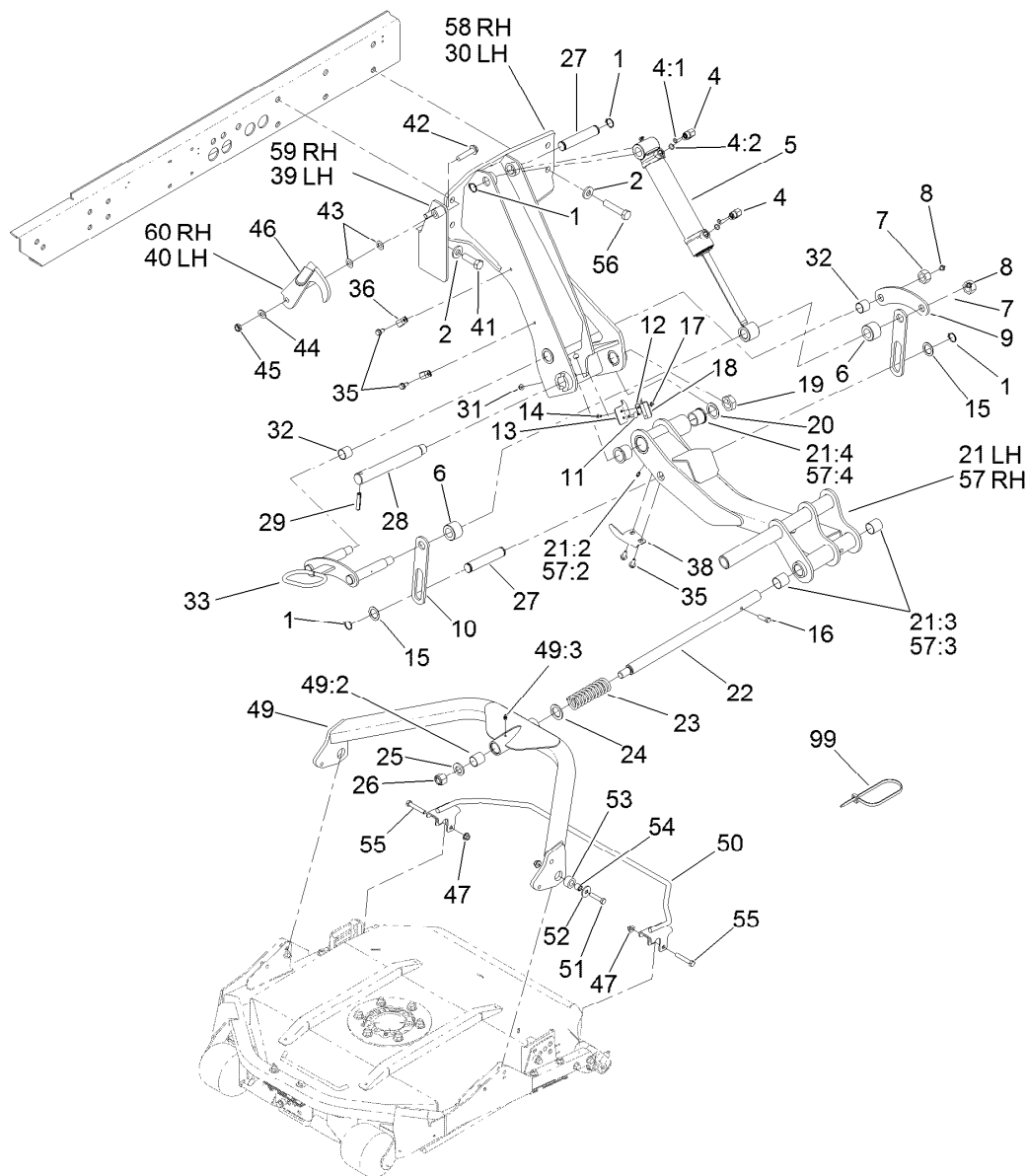
## Lift Cylinder Assembly No. 127-6428

<i>Ref.</i>	<i>Part Number</i>	<i>Qty.</i>	<i>Description</i>
1	131-7755	1	Cylinder Seal Kit



## No. 6 and 7 Lift Arm and Deck Assembly

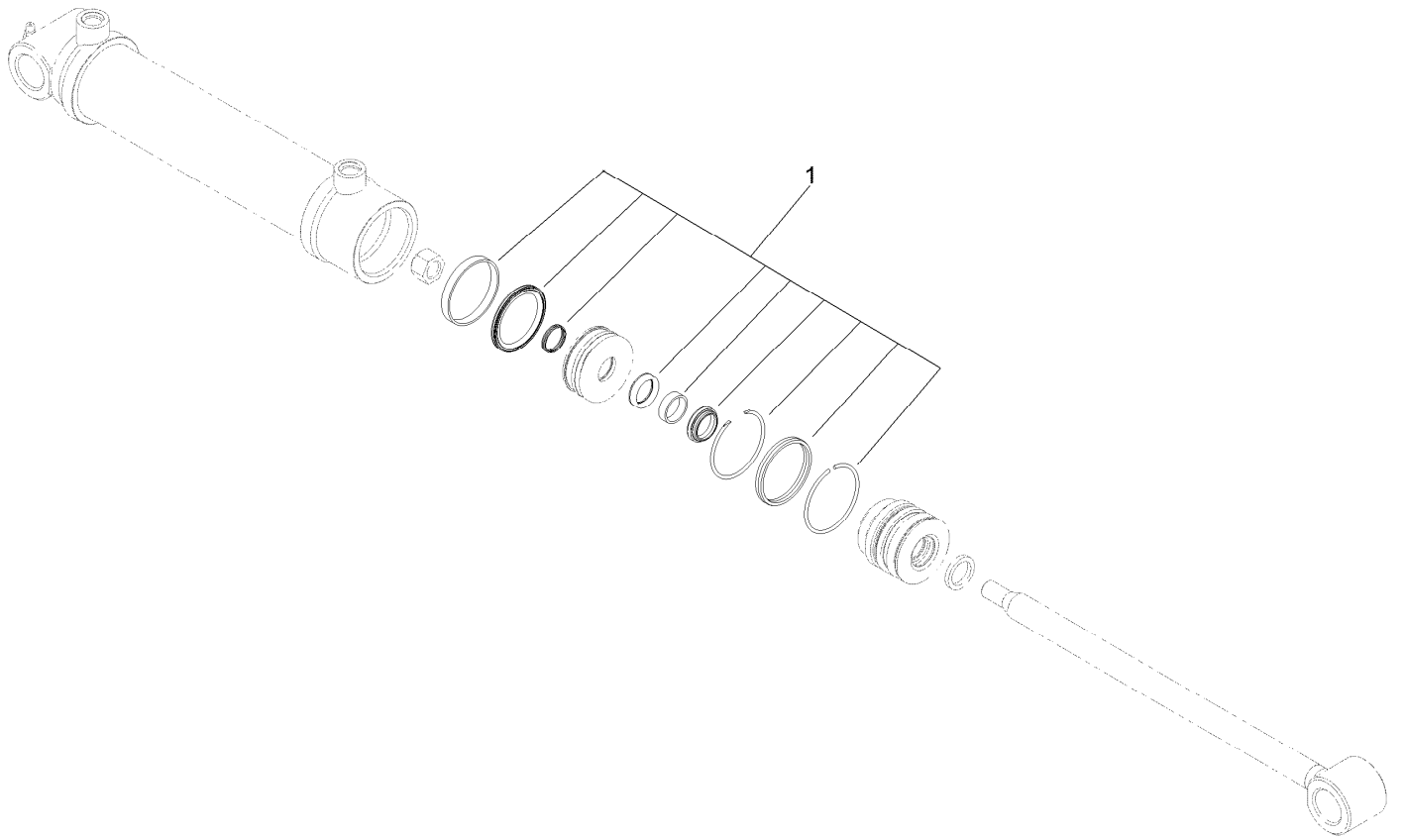
Ref.	Part Number	Qty.	Description	Ref.	Part Number	Qty.	Description
1	32151-36	8	Ring-Retaining	21	108-4035	1	No. 6 Liftarm ASM
2	99-7667	12	Washer-Flat	21:2	302-5	1	Fitting-Grease
4	340-77	4	Fitting-Elbow, 90 DEG	21:3	108-4000	2	Bushing
4:1	237-22	1	O-Ring	21:4	104-0015	2	Bushing-Flange
4:2	237-42	1	O-Ring	22	108-4022	2	Shaft-Carrier, Pivot
5	127-6430	2	Lift Cylinder ASM	23	105-3999	2	Spring-Compression
6	93-2700	4	Roller-Plastic	24	3-6781	2	Washer-Thrust
7	33029-00	4	Nut-Lock, NI	25	3256-28	2	Washer-Flat
8	302-2	4	Fitting-Grease	26	3296-50	2	Nut-Lock, NI
9	98-8821	2	Link-Rear	27	93-2699	4	Pin
10	93-2704-03	4	Link-Left	28	98-8826	2	Pin-Pivot
11	3229-28	2	Screw-CARR	29	32121-110	2	Pin-Roll, Slotted
12	100-4872	2	Plate-Switch, Neutral	30	104-5657-03	1	No. 6 Support Arm ASM
13	105-3858	2	Bracket-Switch	31	32128-33	2	Nut-HF
14	104-1450	2	Bolt-CARR	32	67-1750	4	Bushing
15	10-8110	4	Washer-Thrust	33	115-1577-03	2	Link ASM
16	323-7	2	Screw-HH	35	32104-32	8	Screw-HWH
17	32149-7	2	Nut-Keps	36	2412-93	4	Clamp-R
18	106-9288	2	Sensor-Proximity, Ferrous	38	105-9828	2	Actuator-Switch
19	3296-49	2	Nut-Lock, NI	39	108-4045-03	1	Latch-Arm, LH
20	76-2980	2	Washer-Thrust	40	119-8637-03	1	Latch-Deck, RH



## No. 6 and 7 Lift Arm and Deck Assembly (continued)

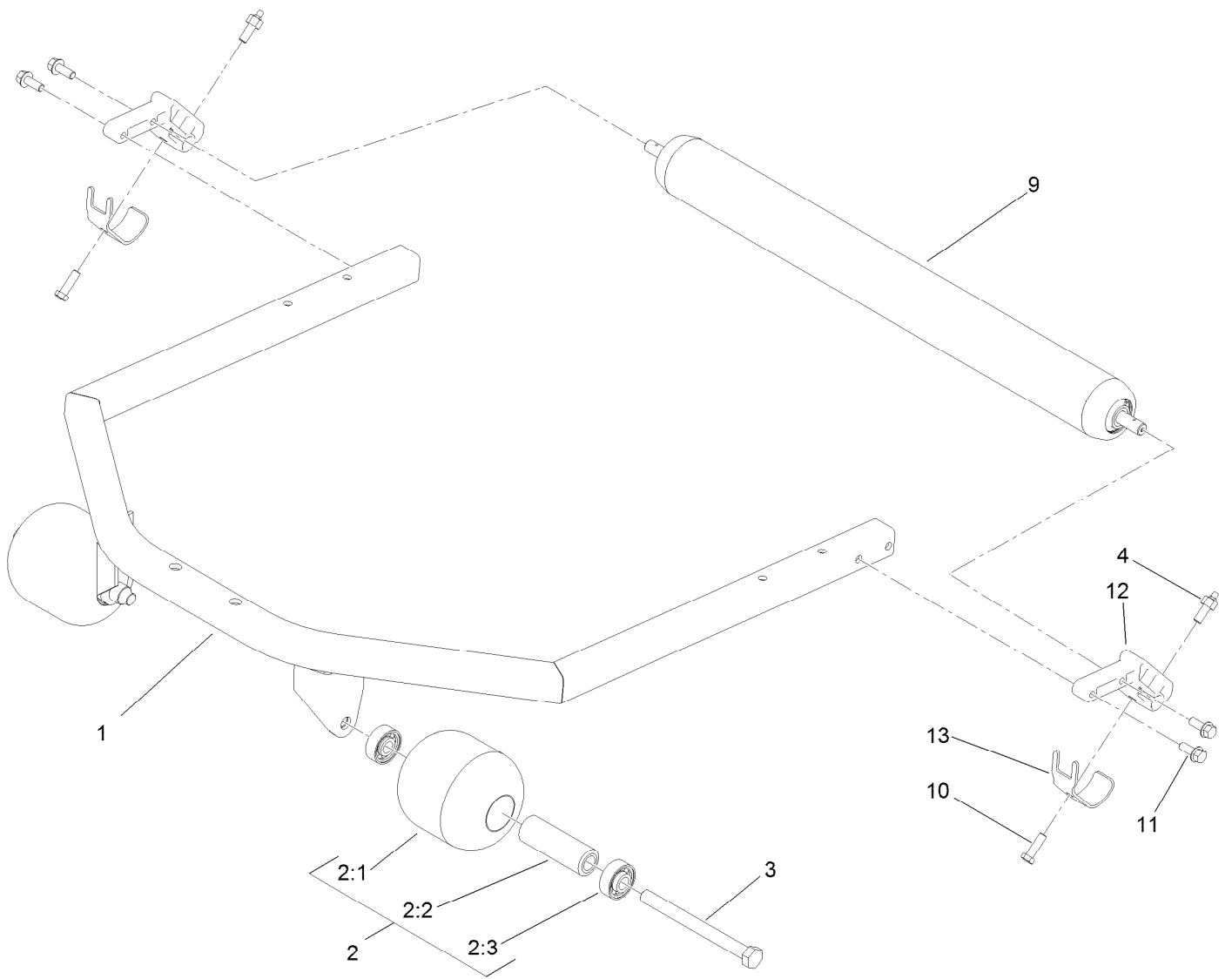
Ref.	Part Number	Qty.	Description	Ref.	Part Number	Qty.	Description
41	327-6	10	Screw-HH	53	105-9823	4	Bushing-Carrier
42	3234-46	2	Screw-HHF	54	105-9822	4	Spacer
43	104-3577	4	Washer	55	323-11	4	Screw-HH
44	3256-26	2	Washer-Flat	56	115-4841	2	Screw-HH
45	3296-45	2	Nut-Hex	57	108-4036	1	No. 7 Liftarm ASM
46	48-7081	2	Grip-Plastic	57:2	302-5	1	Fitting-Grease
47	104-8301	8	Nut-HF, NI	57:3	108-4000	2	Bushing
49	115-3453	2	Carrier Frame ASM	57:4	104-0015	2	Bushing-Flange
49:2	108-4000	2	Bushing	58	104-5658-03	1	No. 7 Support Arm ASM
49:3	302-5	1	Fitting-Grease	59	108-4046-03	1	Latch-Arm, RH
50	112-9900-03	2	Guard-Foot	60	119-8636-03	1	Latch-Deck, LH
51	323-52	4	Screw-HH	99	3290-378	2	Tie-Cable
52	93-8806	4	Washer-Hardened				





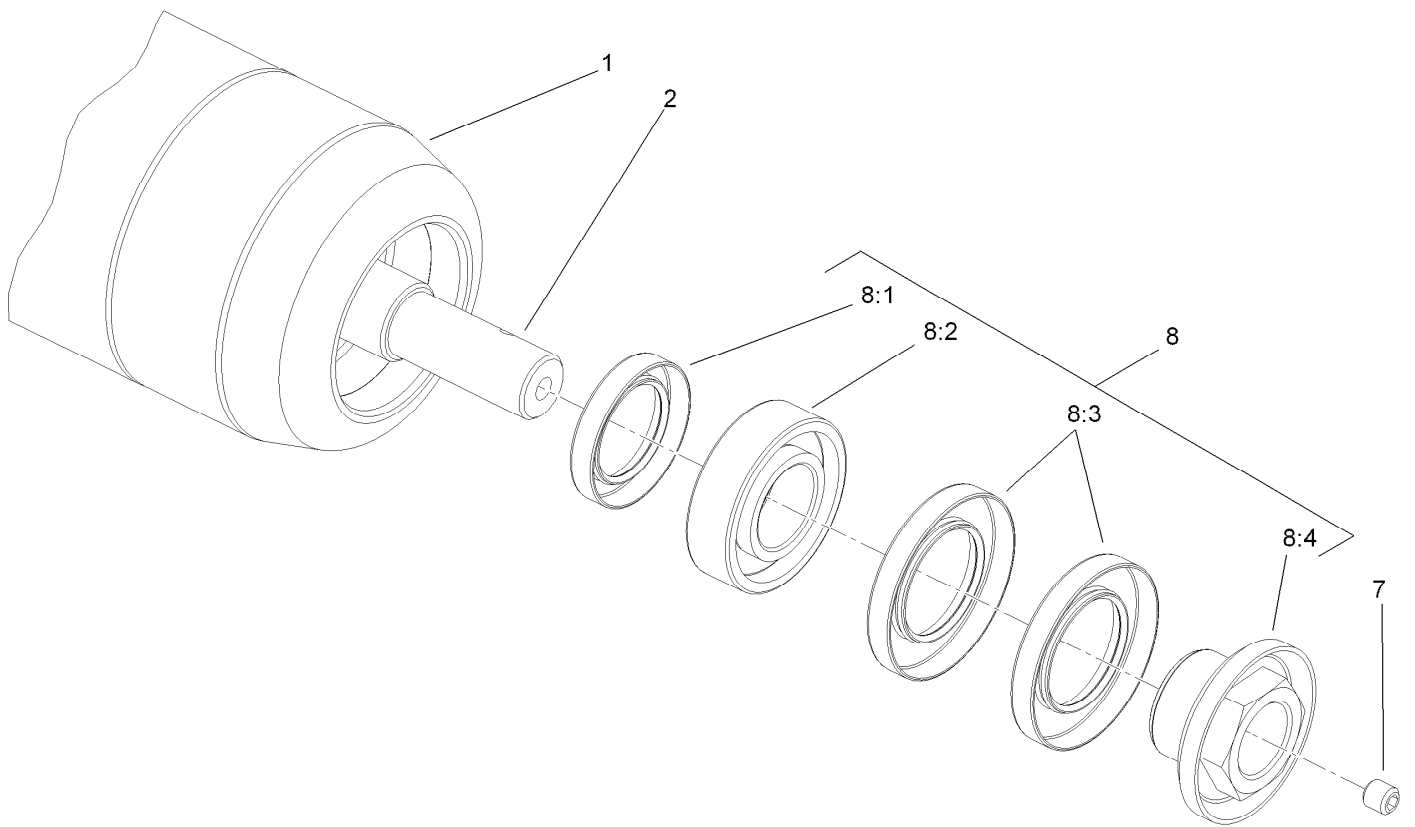
## Lift Cylinder Assembly No. 127-6430

<i>Ref.</i>	<i>Part Number</i>	<i>Qty.</i>	<i>Description</i>
1	131-7757	1	Cylinder Seal Kit



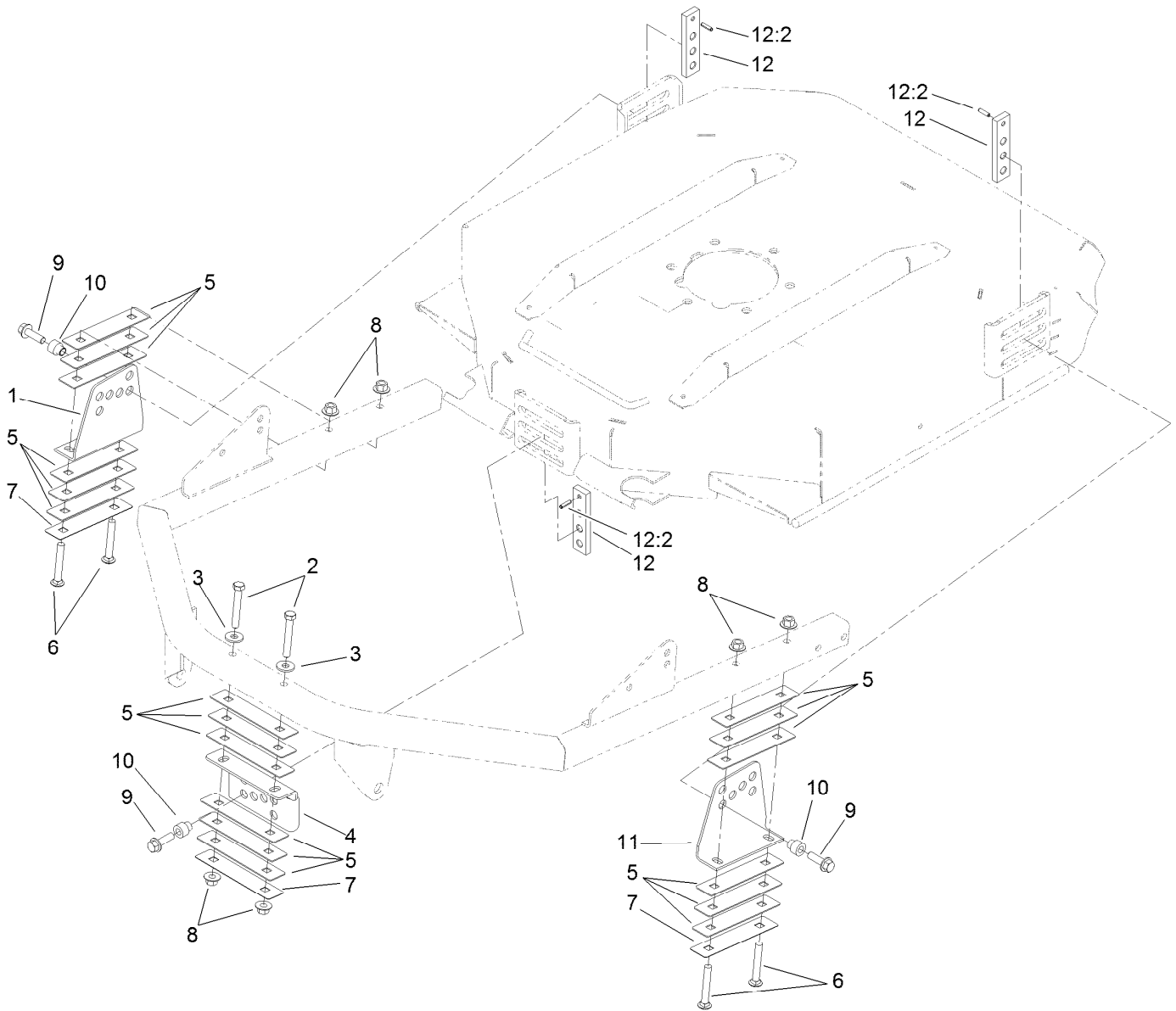
## Roller and Carrier Frame Assembly

<i>Ref.</i>	<i>Part Number</i>	<i>Qty.</i>	<i>Description</i>
1	100-5780-03	1	Frame-Deck
2	115-3418	2	Roller ASM
2:1	104-1093	1	Roller
2:2	100-5762	1	Spacer-Bearing
2:3	120-3366	2	Bearing
3	327-15	2	Screw-HH
4	127-6422	2	Screw-Grease, Roller
9	112-5265	1	Roller ASM
10	323-7	2	Screw-HH
11	3234-11	4	Screw-HHF
12	112-5268	2	Mount-Roller
13	107-7816	2	Bracket-Skid



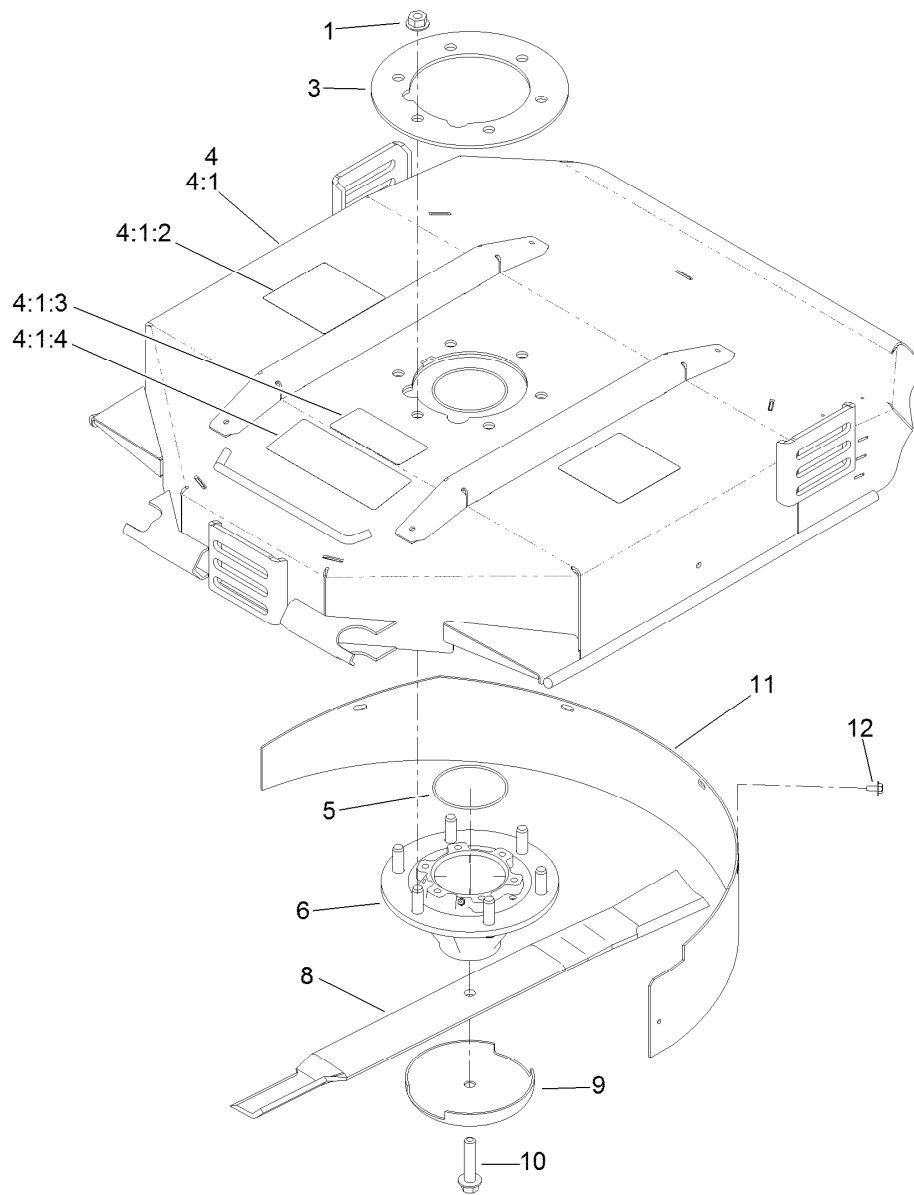
## Roller Assembly No. 112-5265

<i>Ref.</i>	<i>Part Number</i>	<i>Qty.</i>	<i>Description</i>
1	112-5274-03	1	Tube ASM
2	117-5100	1	Shaft-Rear Roller
7	108-0989	2	Screw-Set
8	114-5430	1	Rm/Gm Roller Rebuild Kit
8:1	114-3717	2	Seal-Oil
8:2	112-5290	2	Bearing-Steel, Stainless
8:3	112-7494	4	Seal
8:4	114-5411	2	Nut-Lock, Bearing



## Height-of-Cut Bracket Assembly

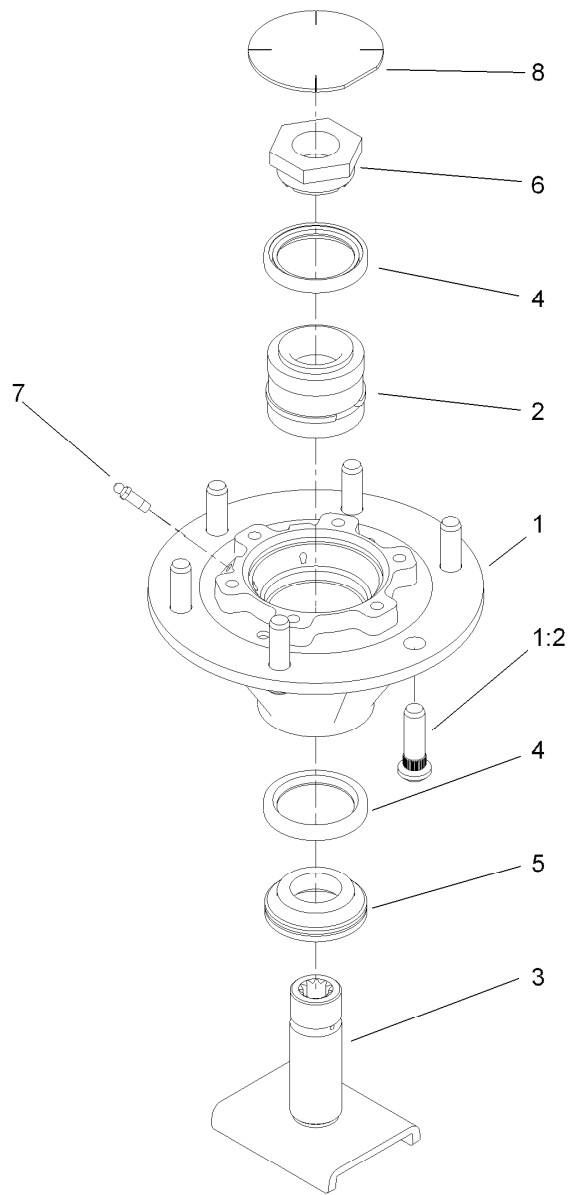
Ref.	Part Number	Qty.	Description
1	100-5797-03	1	Bracket-HOC, RH
2	323-12	2	Screw-HH
3	80-6990	2	Washer-Hardened
4	104-1052-03	1	Bracket-HOC, Front
5	100-5799	18	Shim-HOC, .060 Inch
6	3231-9	4	Screw-CARR
7	104-4641	3	Shim-HOC, .030 Inch
8	32128-43	6	Nut-Flange
9	3234-24	3	Screw-HHF
10	121-3575	3	Spacer-HOC
11	104-4624-03	1	Bracket-HOC, LH
12	105-9225	3	HOC Plate ASM
12:2	32121-3	1	Pin-Spring



## Chamber, Blade and Spindle Assembly

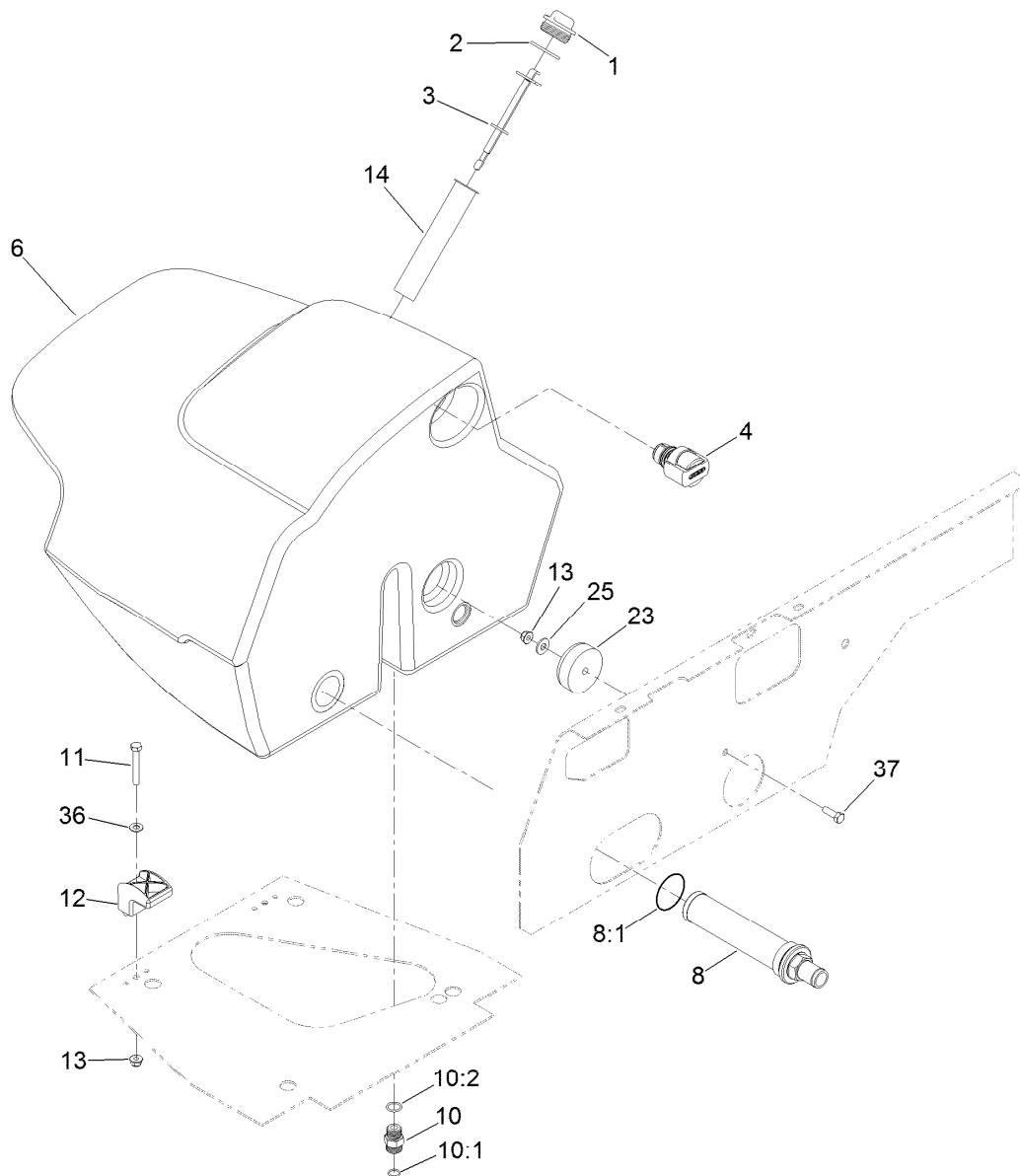
Ref.	Part Number	Qty.	Description
1	32128-39	6	Nut-HHF
3	104-1051-03	1	Plate-Spindle
4	127-6389	1	Deck Chamber Service ASM
4:1		1	Chamber ASM ●
4:1:2	117-4764	2	Decal-Danger
4:1:3	93-7818	1	Decal-Torque, Blade Bolt
4:1:4	104-1086	1	Decal-HOC
5	237-161	1	O-Ring
6	115-3435	1	Spindle ASM
8	107-0235-03	1	Blade-Atomic
8	108-9026-03	1	Blade-Combo
9	72-9361	1	Cup-Scalp, Anti
10	92-5816	1	Bolt-Blade
11	108-9025-01	1	Baffle-Mulching
12	46-8560	5	Screw-HHFTF

● Not serviced separately



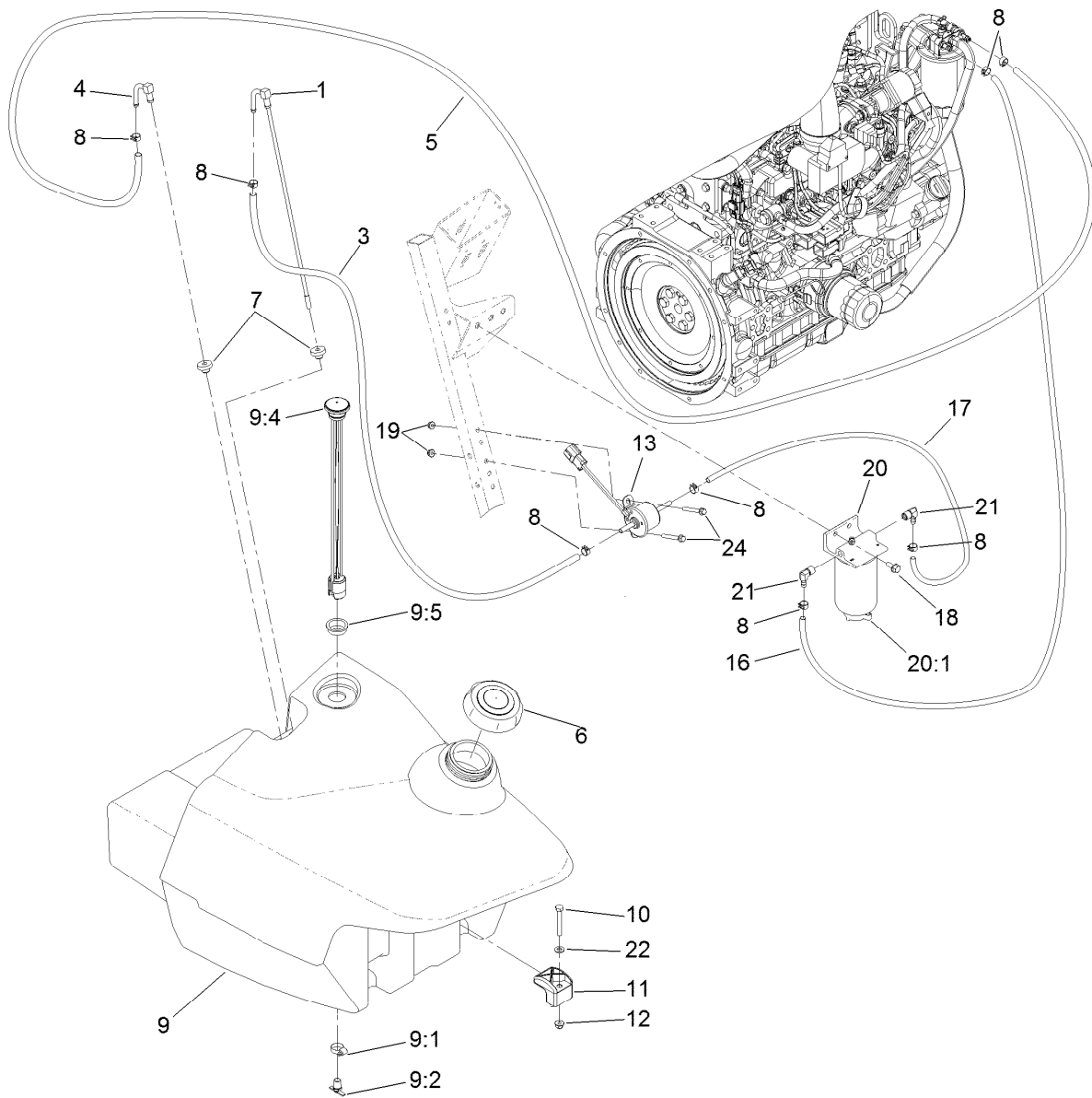
## Spindle Assembly No. 115-3435

<i>Ref.</i>	<i>Part Number</i>	<i>Qty.</i>	<i>Description</i>
1	115-3434	1	Spindle
1:2	10-6830	6	Stud-Type, Drive
2	100-5703	1	Spacer And Bearing ASM
3	100-5705	1	Spindle Shaft ASM
4	253-154	2	Seal-Oil
5	69-6950	1	Spacer-Shaft, Spindle
6	100-5709	1	Nut-Spindle, Spcl
7	302-62	2	Fitting-Grease
8	94-2703	1	Plug



## Hydraulic Tank Assembly

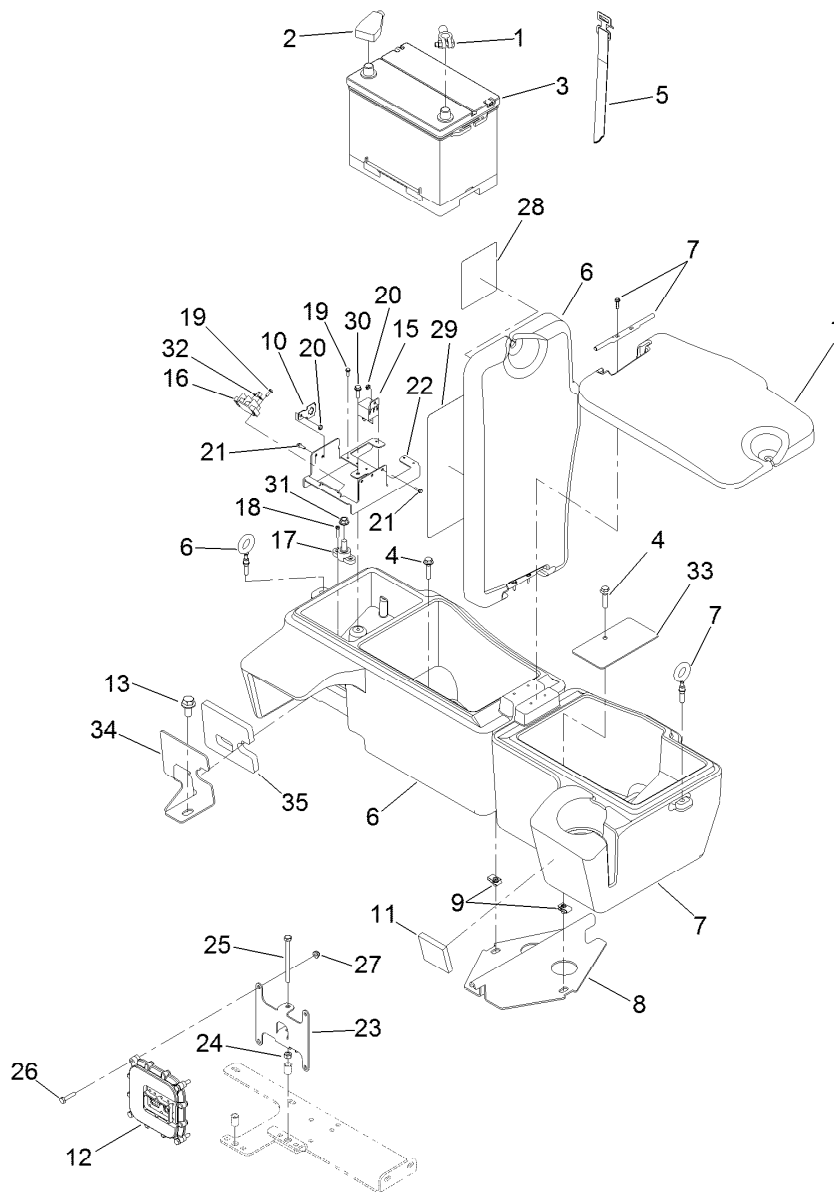
<i>Ref.</i>	<i>Part Number</i>	<i>Qty.</i>	<i>Description</i>	<i>Ref.</i>	<i>Part Number</i>	<i>Qty.</i>	<i>Description</i>
1	93-7498	1	Plug-Plastic	10:2	237-79	1	O-Ring
2	237-101	1	O-Ring	11	322-11	2	Screw-HH
3	119-6968	1	Dipstick-Oil	12	107-4543	2	Clamp
4	115-9793	1	Breather	13	104-8300	3	Nut-HF, NI
6	119-0017	1	Tank-HYD	14	61-2790	1	Filter-Screen
8	104-7546	1	Tank Strainer ASM	23	108-1605	1	Bumper-Recess
8:1	340-136	1	O-Ring	25	3256-3	1	Washer-Flat
10	340-4	1	Fitting-Straight	36	3256-23	2	Washer-Plain
10:1	237-30	1	O-Ring	37	322-5	1	Screw-HH



## Fuel System Assembly

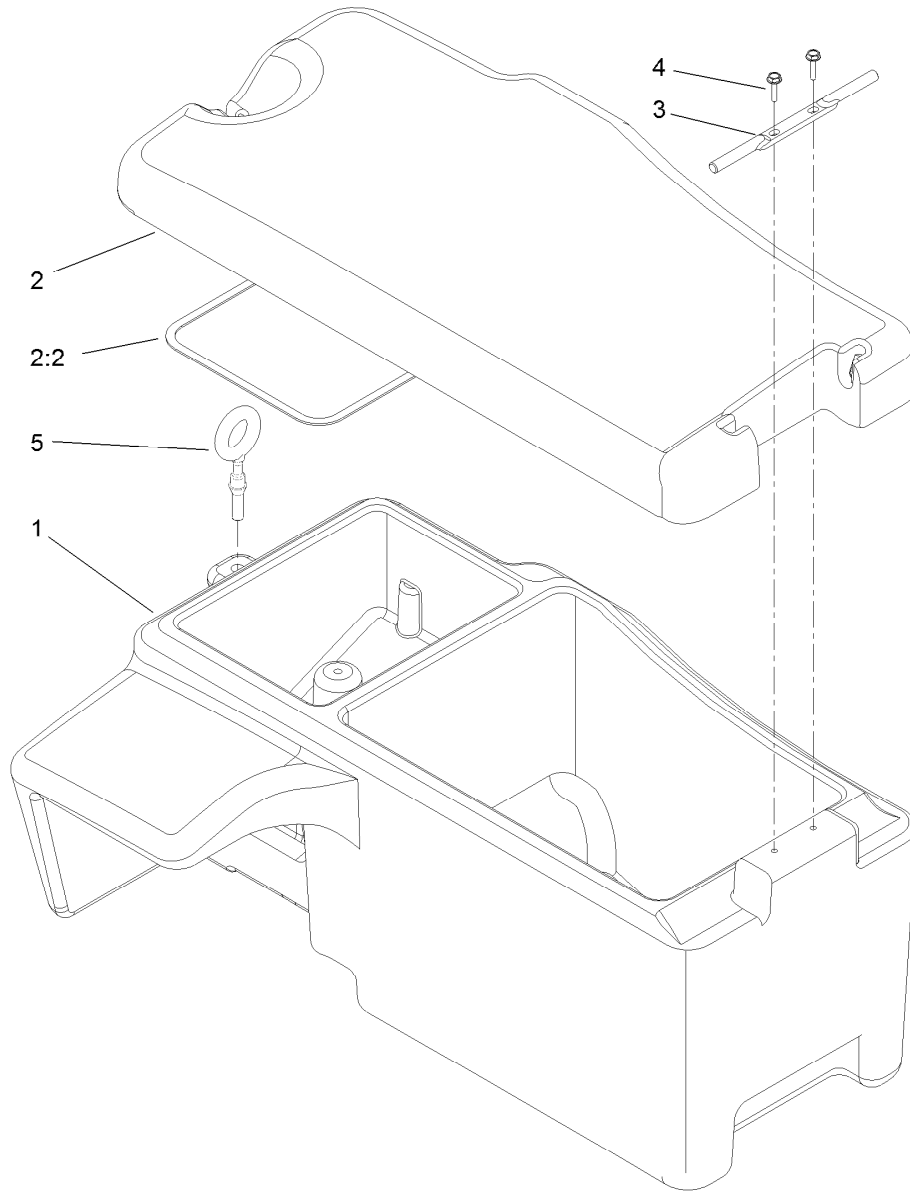
<i>Ref.</i>	<i>Part Number</i>	<i>Qty.</i>	<i>Description</i>	<i>Ref.</i>	<i>Part Number</i>	<i>Qty.</i>	<i>Description</i>
1	115-4354	1	Tube-Suction, Fuel	10	322-11	2	Screw-HH
3	110-8802	1	Hose-Fuel	11	107-4543	2	Clamp
4	121-3127	1	Fitting-Return	12	104-8300	2	Nut-HF, NI
5	119-0577	1	Hose-Fuel	13	121-5613	1	Pump-Fuel, Electric
6	125-9172	1	Cap-Fuel, Diesel, Ultra Low Sulfur	16	109-0308	1	Hose-Fuel
7	46-6560	2	Bushing	17	110-4113	1	Hose-Fuel
8	92-2379	8	Clamp-Hose	18	3234-5	2	Screw-HHF
9	115-4353	1	Fuel Tank ASM	19	104-7201	2	Nut-HF
9:1	2412-36	1	Clamp-Hose	20	125-2914	1	Filter-Separator
9:2	304-46	1	Draincock	20:1	125-2915	1	Filter-Fuel/Water Separator
9:4	117-4790	1	Guage-Fuel	21	353-781	2	Fitting-HYD, 90
9:5	95-8972	1	Grommet	22	3256-23	2	Washer-Plain
				24	3234-34	2	Screw-HHF





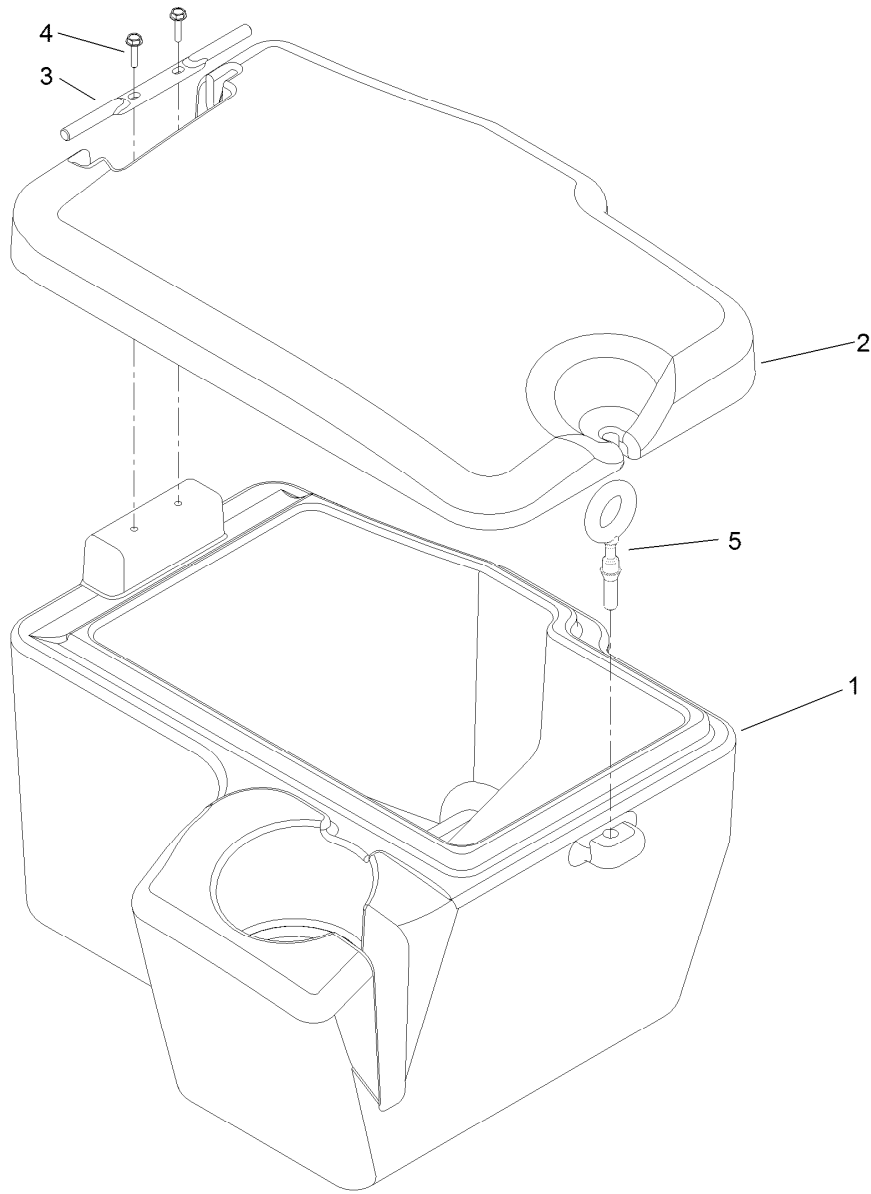
## Electrical Assembly

Ref.	Part Number	Qty.	Description	Ref.	Part Number	Qty.	Description
1	117-2377	1	Cable-Battery, Negative	19	32144-87	6	Screw-HWHTF
2	121-6589	1	Cable-Battery, Positive	20	3296-54	4	Nut-Lock
3	106-5190	1	Battery	21	112-3169	4	Screw-HHF, Serrated
4	115-1794	2	Screw-HHF	22	115-4356-03	1	Mount-Fuse Block
5	3339-175	1	Strapping-Web	23	117-2360-03	1	Bracket-Mount, Controller
6	115-9100	1	Box-Storage, Battery	24	3217-6	1	Nut-Hex
7	115-9101	1	Box-Storage	25	322-19	1	Screw-HH
8	115-4387-03	1	Support-Box, Storage	26	321-8	4	Screw-HH
9	112-3306	2	Nut	27	104-7201	4	Nut-HF
10	114-5502	1	Clip-Fuse	28	125-4605	1	Decal-Fuse
11	117-4783	2	Seal-Foam	29	125-4606	1	Decal-Service
12	114-3321	1	Controller-Tec	30	46-8091	1	Screw-HWH
13	3234-6	1	Screw-HHF	31	3290-357	1	Nut-HHF, Whiz
15	99-7435	2	Relay	32	42863	1	Strip-Jumper
16	42862	1	Block-Terminal, Ground	33	117-4768-03	1	Plate-Box, Storage
17	110-8822	1	Block-Junction	34	117-4774-03	1	Clamp
18	93-0231	2	Screw-PPH	35	117-4775	1	Seal-Battery Box



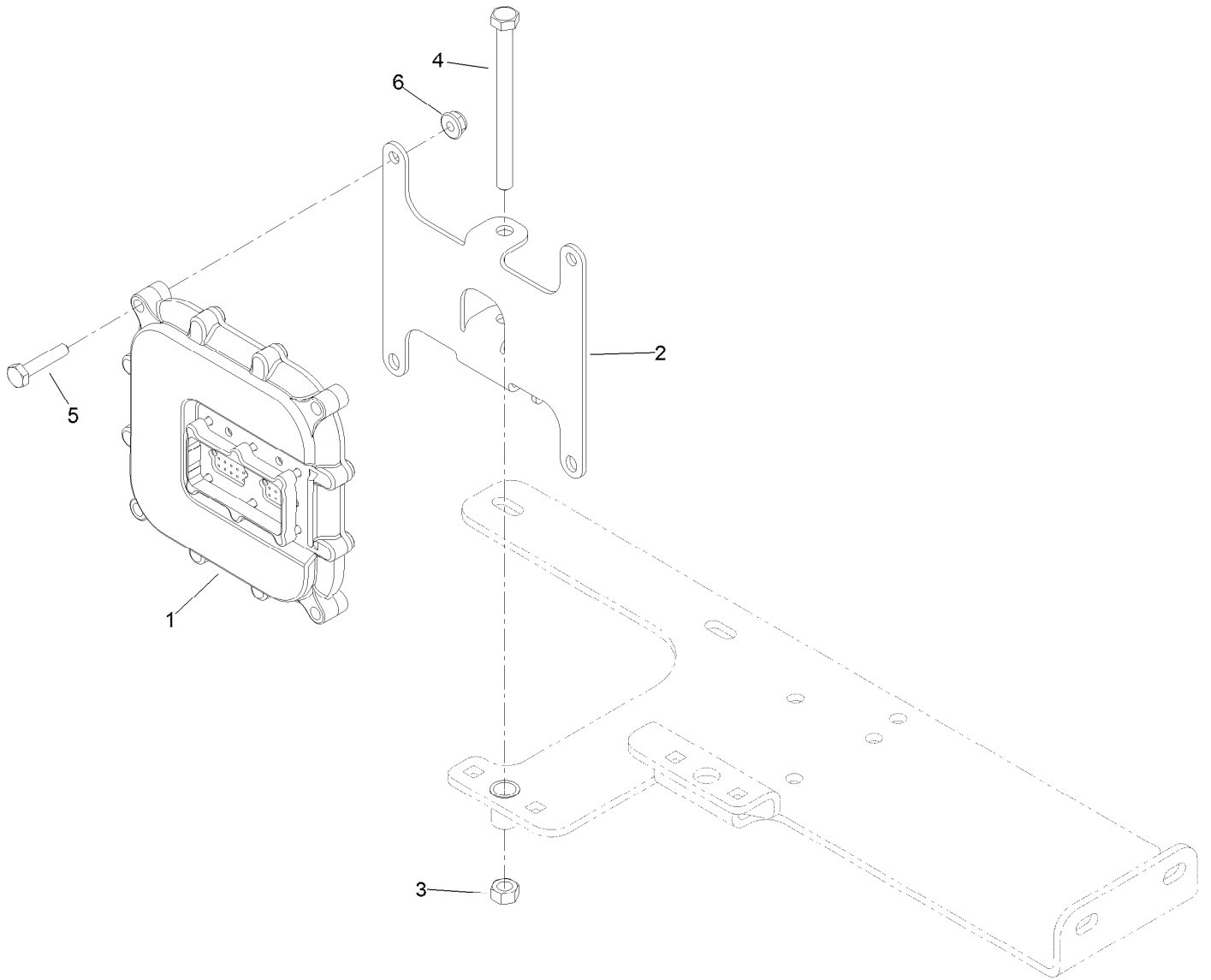
## Battery Storage Box Assembly No. 115-9100

<i>Ref.</i>	<i>Part Number</i>	<i>Qty.</i>	<i>Description</i>
1	114-8124	1	Box-Storage, RH
2	115-4368	1	Cover ASM
2:2	115-4367	1	Seal-Cover
3	114-8132	1	Hinge-Cover
4	98-1375	2	Screw-HWH
5	115-4366	1	Latch-Rubber



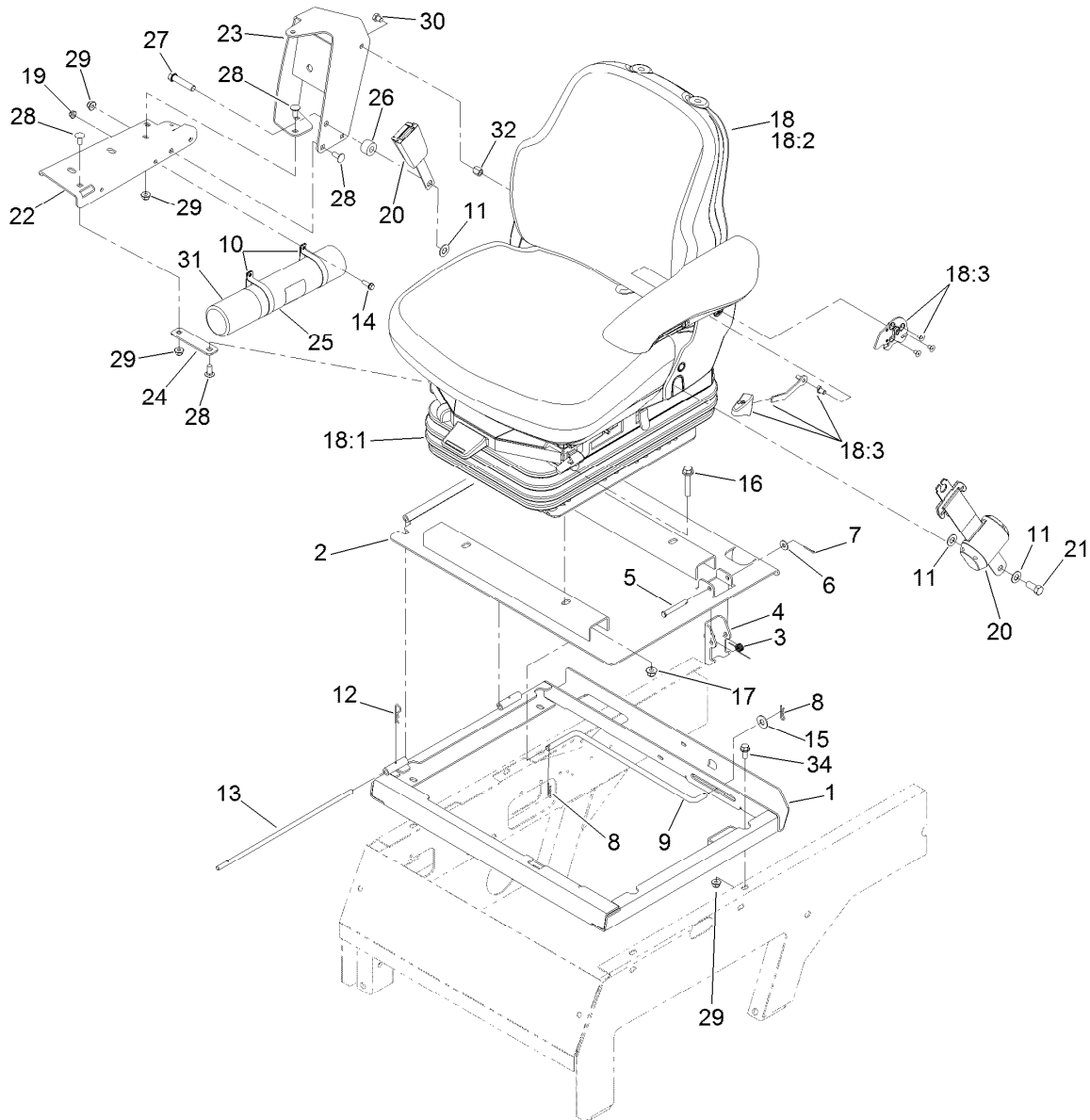
## Storage Box Assembly No. 115-9101

<i>Ref.</i>	<i>Part Number</i>	<i>Qty.</i>	<i>Description</i>
1	114-8123	1	Box-Storage, LH
2	114-8125	1	Cover-Storage Box, LH
3	114-8132	1	Hinge-Cover
4	98-1375	2	Screw-HWH
5	115-4366	1	Latch-Rubber



## Controller Mount Assembly

<i>Ref.</i>	<i>Part Number</i>	<i>Qty.</i>	<i>Description</i>
1	115-1900	1	Controller
2	117-2360-03	1	Bracket-Mount, Controller
3	3217-6	1	Nut-Hex
4	322-19	1	Screw-HH
5	321-8	4	Screw-HH
6	104-7201	4	Nut-HF

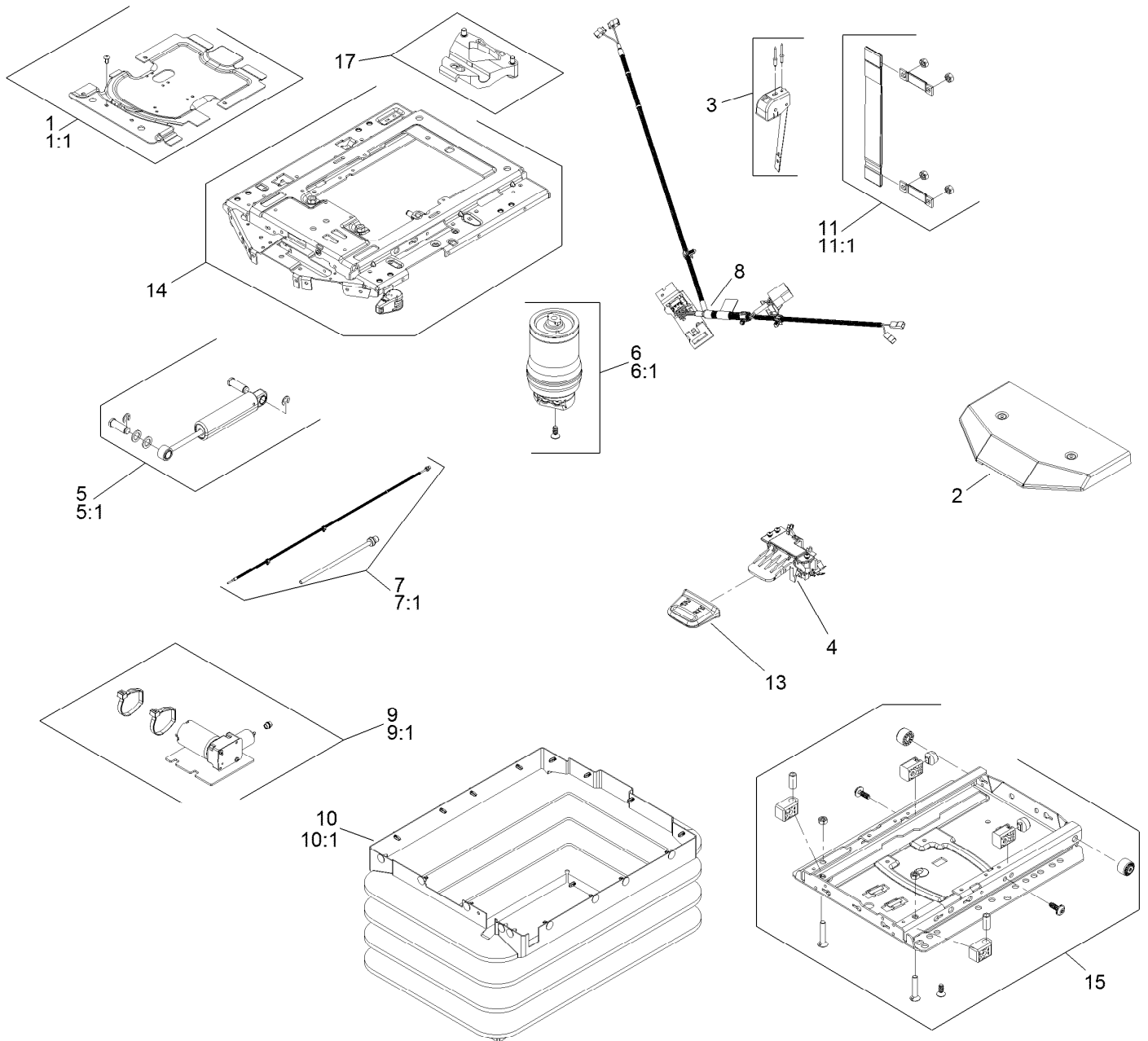


## Seat Mounting Assembly

Ref.	Part Number	Qty.	Description	Ref.	Part Number	Qty.	Description
1	115-4400-03	1	Frame-Seat	18:1	130-2702	1	Air Ride Seat Suspension
2	115-4411-03	1	Plate-Seat	18:2	117-5676	1	Premium Seat ASM
3	104-4821	1	Spring-Torsion	18:3	132-1304	1	Backrest Adjustment Kit
4	115-4423-03	1	Latch-Seat Plate	19	104-7201	2	Nut-HF
5	110-0618	1	Pin-Clevis	20	110-0413	1	Seatbelt-Retractable
6	3256-2	1	Washer-Flat	21	3212-4	1	Screw-HH
7	3272-6	1	Pin-Cotter	22	119-0000-03	1	Channel-Support
8	3290-307	4	Pin-Cotter	23	117-4798-03	1	Arm-Support
9	117-4797-03	2	Rod-Seat Frame	24	112-7449-03	1	Bracket-Support
10	107-1865	2	R-Clamp	25	104-7050	1	Tube-Manual
11	3256-25	3	Washer-Flat	26	17-7190	1	Spacer-Finger
12	3290-467	1	Pin-Hair	27	3212-8	1	Screw-HH
13	75-3400	1	Shaft-Pivot, Seat	28	3230-23	6	Screw-CARR
14	32105-15	2	Screw-HWH	29	104-8300	9	Nut-HF, NI
15	3256-4	2	Washer-Flat	30	108-8646	1	Screw-HH, Lock
16	66-9302	4	Screw-HHF, Whiz	31	104-7048	1	Cap-Housing
17	104-8301	4	Nut-HF, NI	32	112-7405	1	Nut-Hex, Coupling
18		1	Seat And Suspension ASM	34	3234-47	4	Screw-HHF

● Not serviced separately

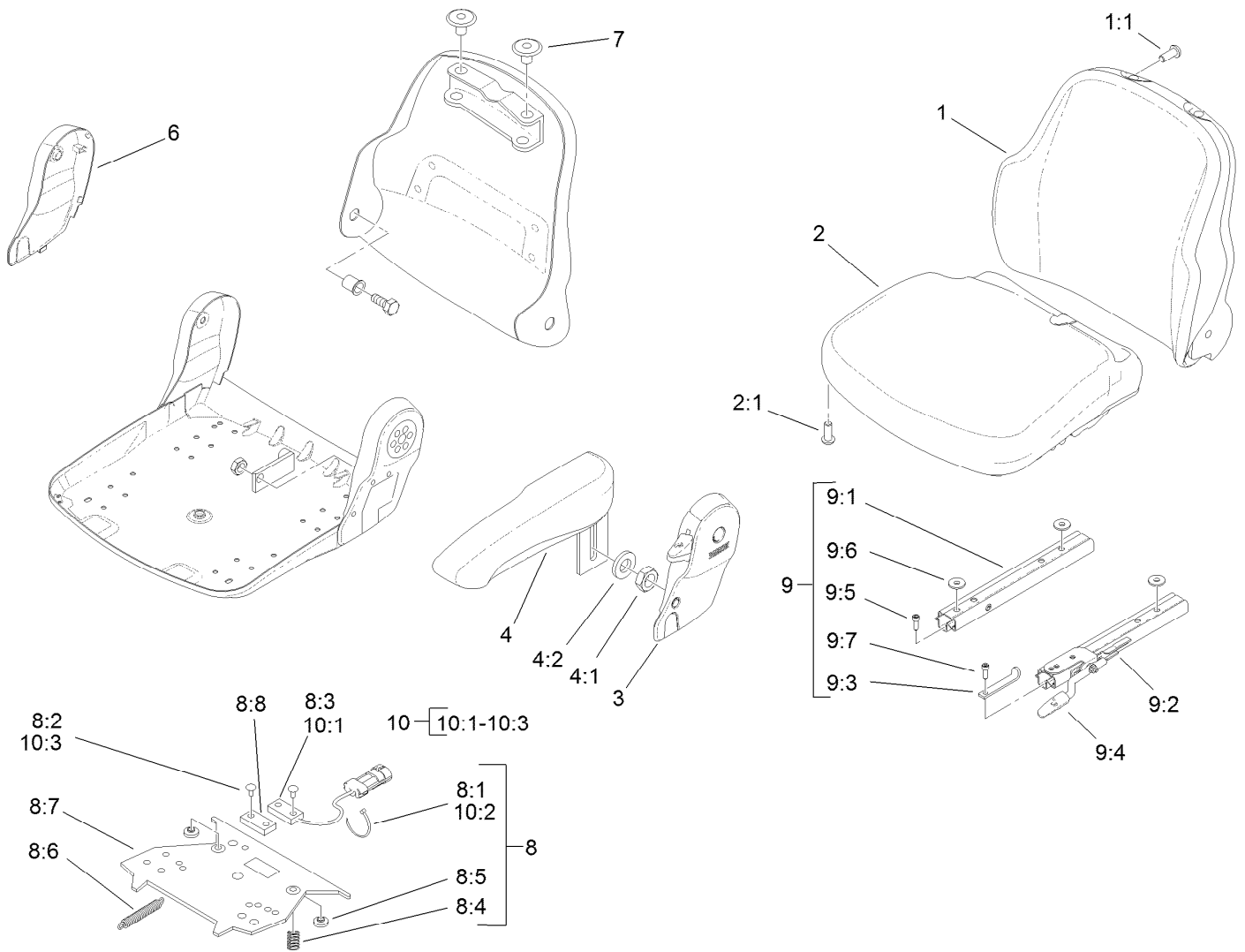
# Seat Suspension Assembly No. 130-2702



## Seat Suspension Assembly No. 130-2702 (continued)

<i>Ref.</i>	<i>Part Number</i>	<i>Qty.</i>	<i>Description</i>	<i>Ref.</i>	<i>Part Number</i>	<i>Qty.</i>	<i>Description</i>
1	130-2709	1	Cover ASM	9	130-2719	1	Compressor
1:1	130-2710	1	Cover Kit	9:1	130-2720	1	Compressor Kit
2	108-8027	1	Cover	10	130-2721	1	Bellows ASM
3	130-2711	1	Control-Level	10:1	130-2722	1	Bellows Kit
4	108-8029	1	Valve-Control, Air	11	130-2723	1	Tether
5	130-2712	1	Shock Absorber ASM	11:1	130-2724	1	Tether Kit
5:1	130-2713	1	Shock Absorber Kit	12	130-2725	1	Wear Parts Kit ●
6	130-2714	1	Air Spring ASM	13	130-2726	1	Handle
6:1	130-2715	1	Air Spring Kit	14	130-2727	1	Upper Suspension Kit
7	130-2716	1	Air Tube ASM	15	130-2728	1	Lower Suspension Kit
7:1	130-2717	1	Air Tube Kit	16	130-2729	1	Adjuster Mounting Kit ●
8	130-2718	1	Harness-Wire	17	130-2730	1	Limiters-Thrust

● Not illustrated



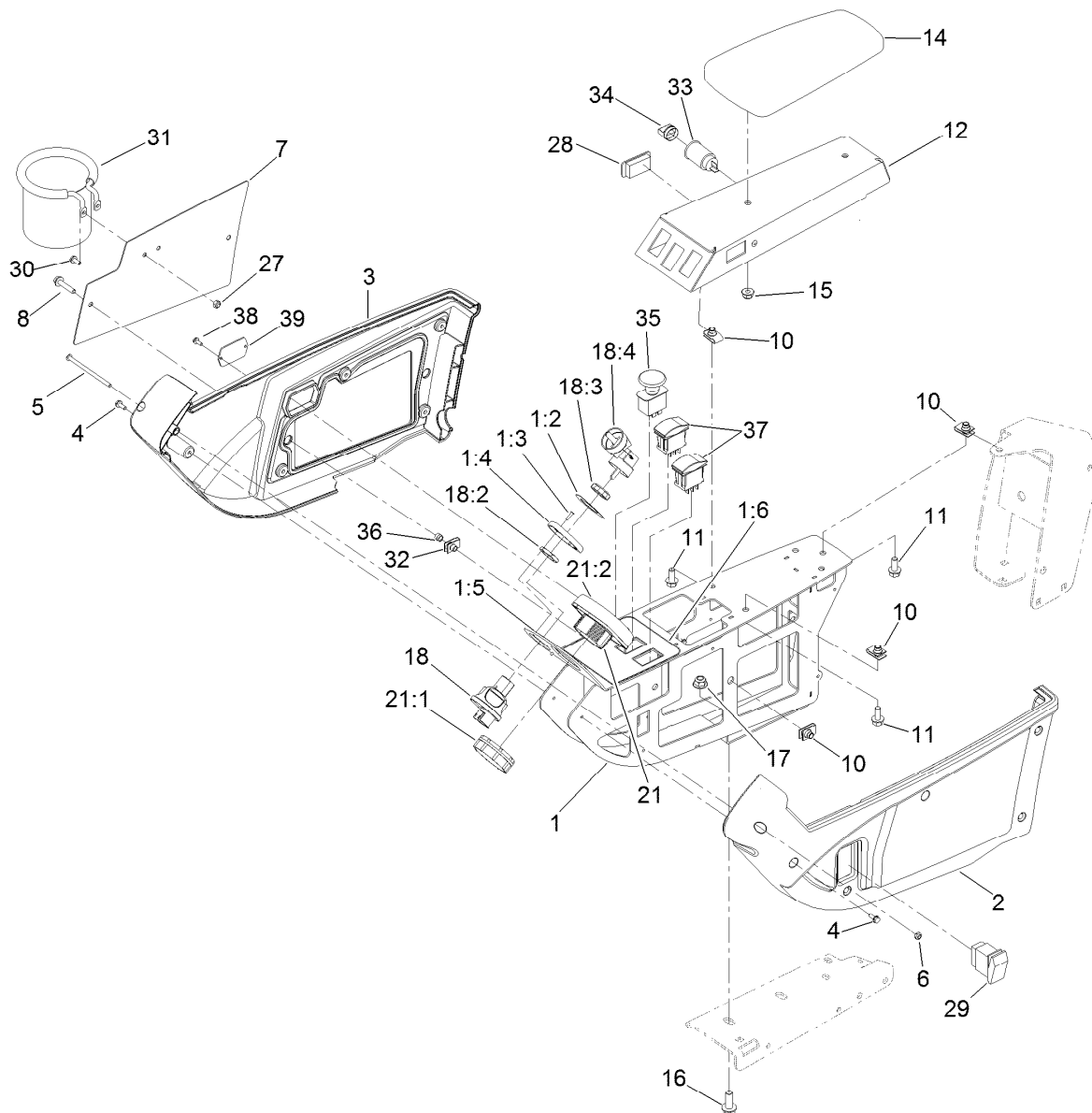
## Vinyl Premium Seat Assembly No. 117-5676

Ref.	Part Number	Qty.	Description
1	108-8016	1	Backrest Cushion ASM
1:1	119-7742	4	Screw-Cushion
2	108-8017	1	Seat Cushion ASM
2:1	119-7742	3	Screw-Cushion
3	108-8018	1	Cover-Armrest
4	108-8019	1	LH Armrest ASM
4:1	82-9650	1	Nut
4:2	107-1198	1	Washer
6	108-8021	1	Cover-Armrest
7	108-8022	2	Cover-Black
8	108-8024	1	Switch Kit
8:1		3	Wire Tie ●
8:2		4	Rivet ●
8:3		1	Sensor-Seat Switch ●
8:4		2	Spring-Compression ●
8:5		2	Bumper-Pressure Plate ●

Ref.	Part Number	Qty.	Description
8:6		1	Spring-Extension ●
8:7		1	Plate-Mounting ●
8:8		1	Magnet ●
9	108-8025	1	Adjustment Rail Set
9:1		1	Rail-Adjustment, RH ●
9:2		1	Rail-Adjustment, LH ●
9:3		1	Stop-Rail ●
9:4		1	Handle ●
9:5		3	Screw ●
9:6		3	Washer ●
9:7		1	Screw ●
10	110-6189	1	Switch Kit
10:1		1	Switch ●
10:2		3	Wire Tie ●
10:3		2	Rivet ●

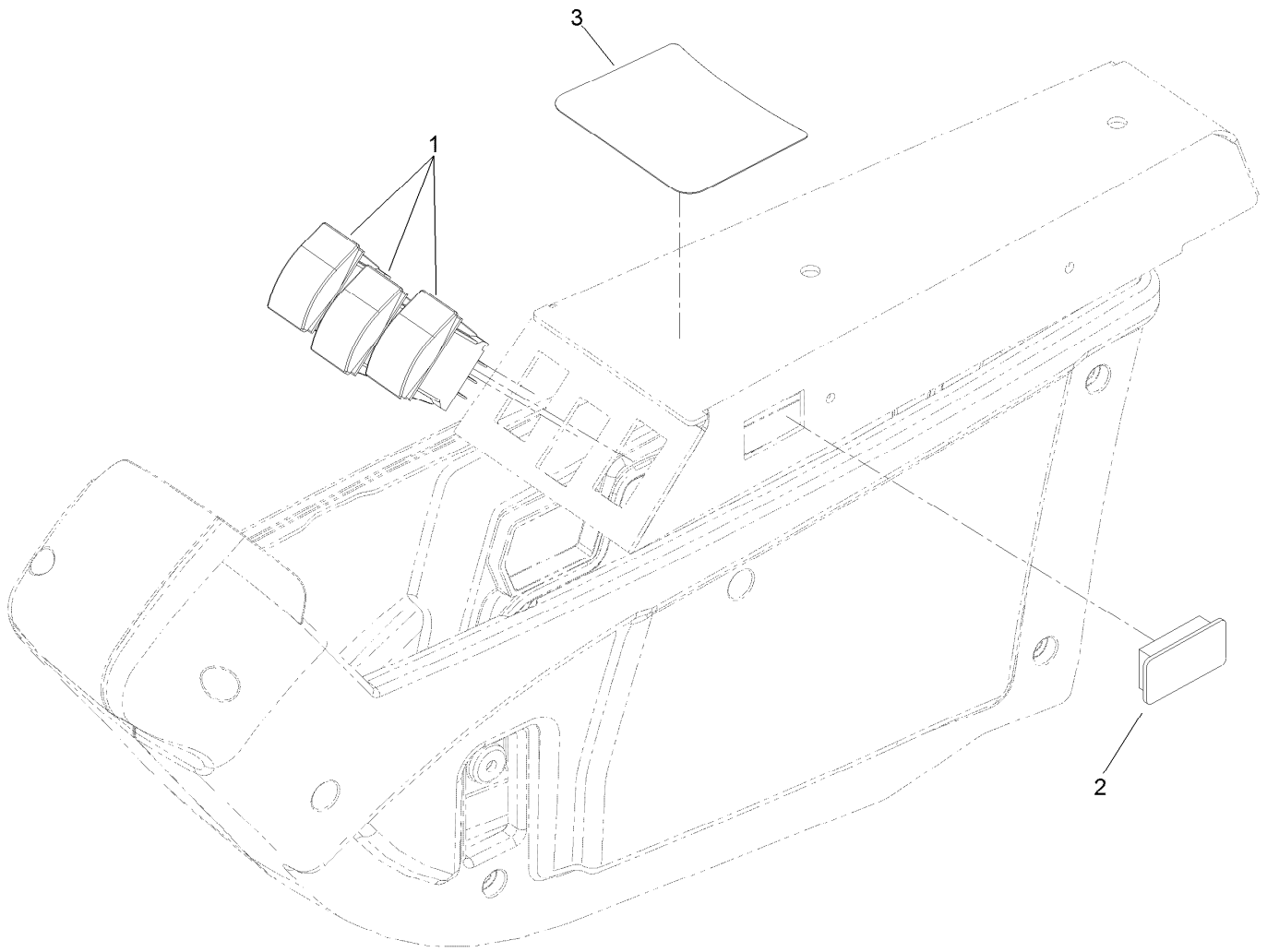
● Not serviced separately





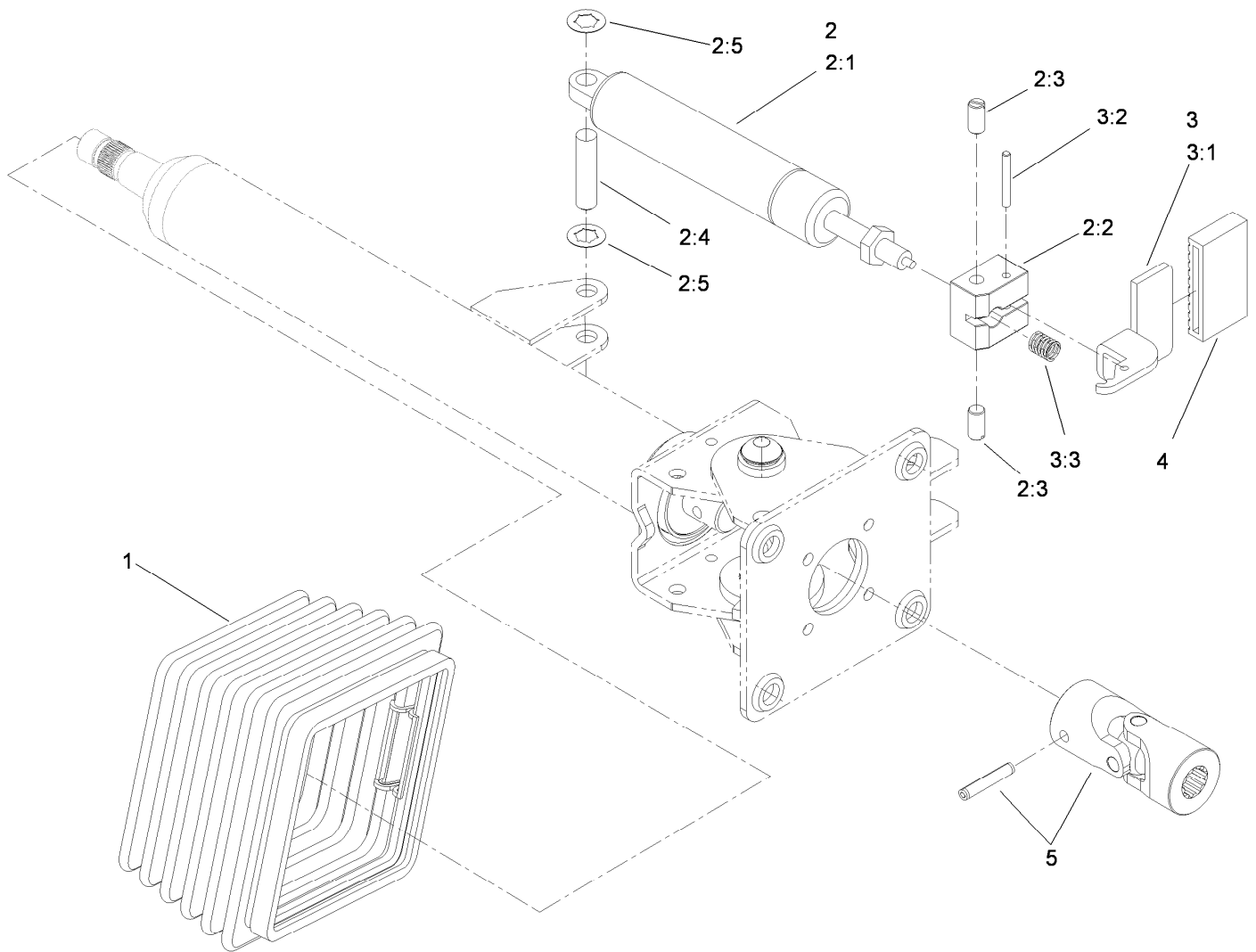
## Console Assembly

Ref.	Part Number	Qty.	Description	Ref.	Part Number	Qty.	Description
1	120-4155	1	Panel ASM	18:2	121-5160	1	Nut-Hex
1:2	121-3884	1	Decal-Console, Upper	18:3	121-5161	1	Nut-Face
1:3	3269-17	2	Rivet-Pop	18:4	121-5162	1	Set-Key, Ignition
1:4	121-3889	1	Step-Elevated, Switch	21	120-6310	1	LCD Display ASM
1:5	121-3887	1	Decal-Console, Display	21:1	120-4630	1	Nut-Display
1:6	120-4159	1	Decal-Console, Lower	21:2	120-6311	1	Decal-Display
2	108-7604	1	Cover-LH	27	3296-2	2	Nut-Lock, NI
3	108-7605	1	Cover-RH	28	99-7420	1	Plug-Hole
4	32144-112	10	Screw-HWH	29	95-8999	1	Switch
5	3250-22	1	Screw-PPH	30	3290-321	2	Screw-HWH
6	3296-12	1	Nut-Lock, NI	31	117-2378	1	Holder-Bag
7	115-8849-03	1	Plate-Cover	32	107069	2	Clip
8	3234-21	2	Screw-HHF	33	99-7411	1	Point-Power
10	94-2413	5	Nut-U	34	99-7416	1	Cap
11	3234-5	5	Screw-HHF	35	93-9999	1	Switch-PTO
12	125-4646-03	1	Panel-Control	36	110-0542	2	Spacer-Flange
14	108-7602	1	Rest-Arm	37	100-1535	2	Switch-Rocker, (On)-Off-(On)
15	104-8300	2	Nut-HF, NI	38	32144-18	2	Screw-HWH
16	3234-42	2	Screw-HHF	39	121-1630	1	Plate-Cover
17	104-8301	2	Nut-HF, NI				
18	121-5159	1	Ignition Switch ASM				



## Control Arm Switch Assembly

<i>Ref.</i>	<i>Part Number</i>	<i>Qty.</i>	<i>Description</i>
1	100-1535	3	Switch-Rocker, (On)-Off-(On)
2	99-7420	1	Plug-Hole
3	125-4604	1	Decal-Lift

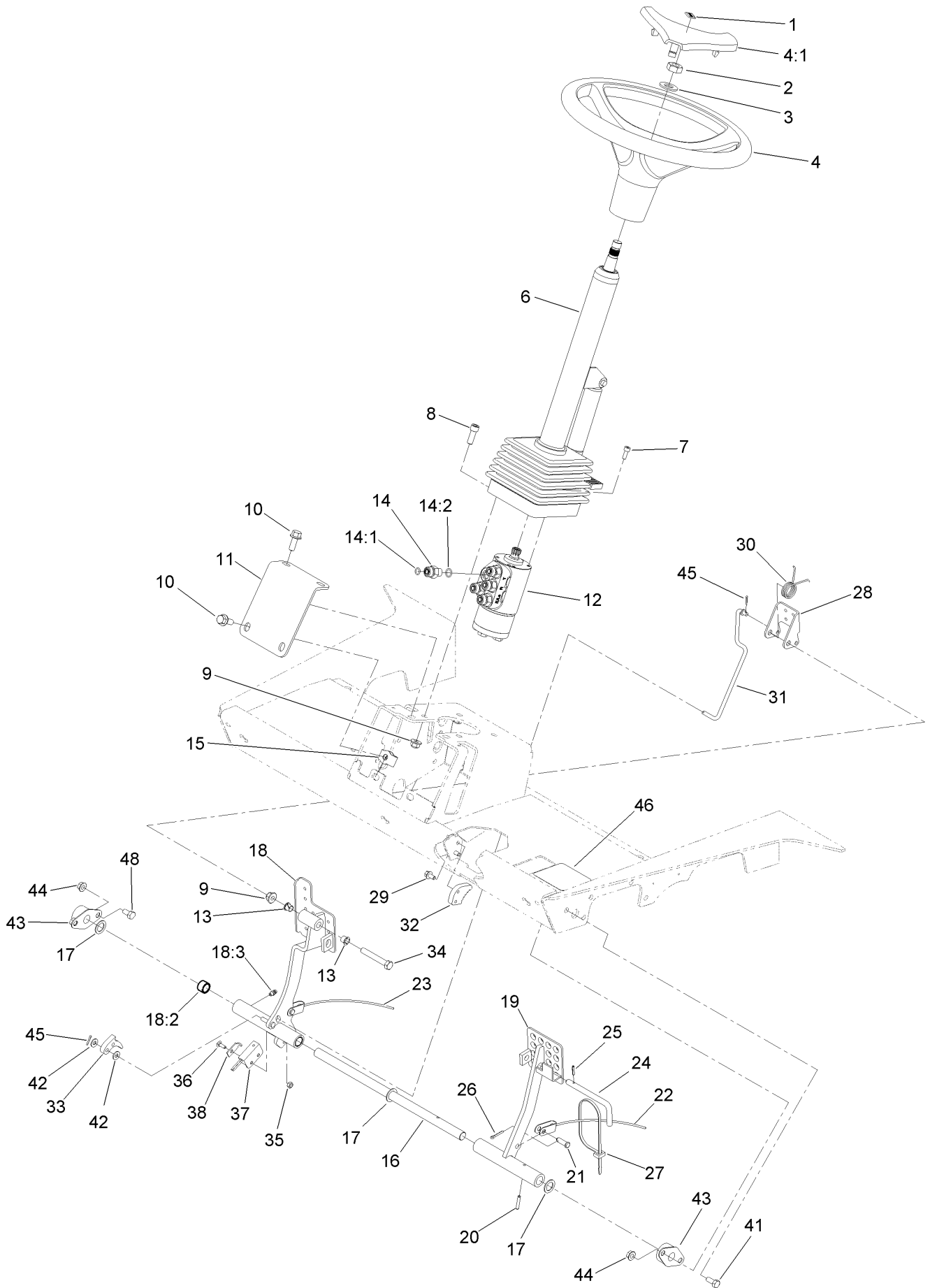


## Steering Tilt Column Assembly No. 106-3622

Ref.	Part Number	Qty.	Description
1	110-6462	1	Bellows-Rubber
2	110-6463	1	Cylinder Service Kit
2:1		1	Cylinder-Gas ●
2:2		1	Block-Pedal ●
2:3		2	Bolt ●
2:4		1	Pin ●
2:5		2	Washer-Lock ●
3	110-6464	1	Pedal Service Kit
3:1		1	Pedal ●
3:2		1	Pin ●
3:3		1	Spring ●
4	110-6465	1	Cover-Pedal
5	120-6256	1	Universal Joint Kit

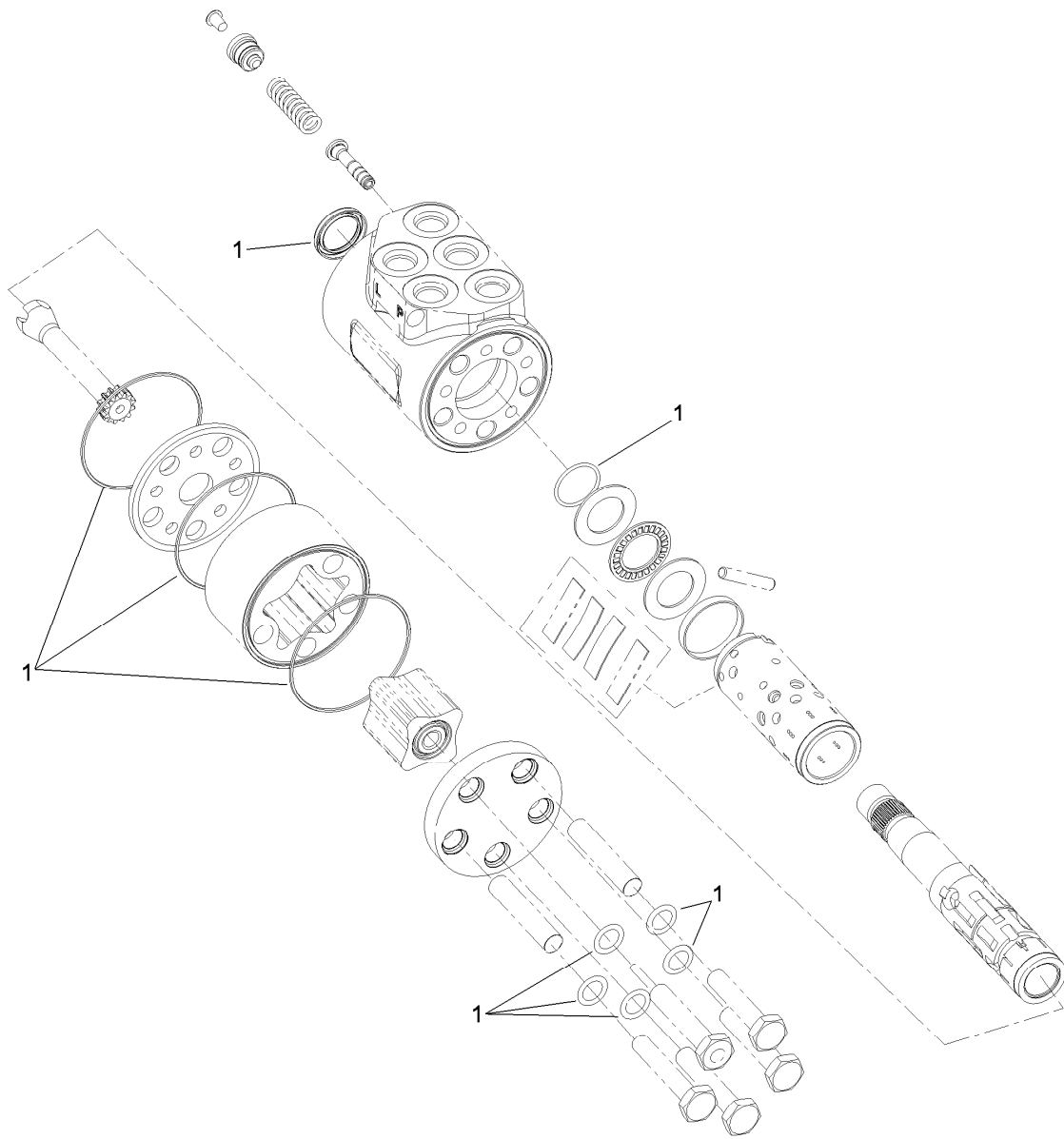
● Not serviced separately

# Steering and Brake Assembly



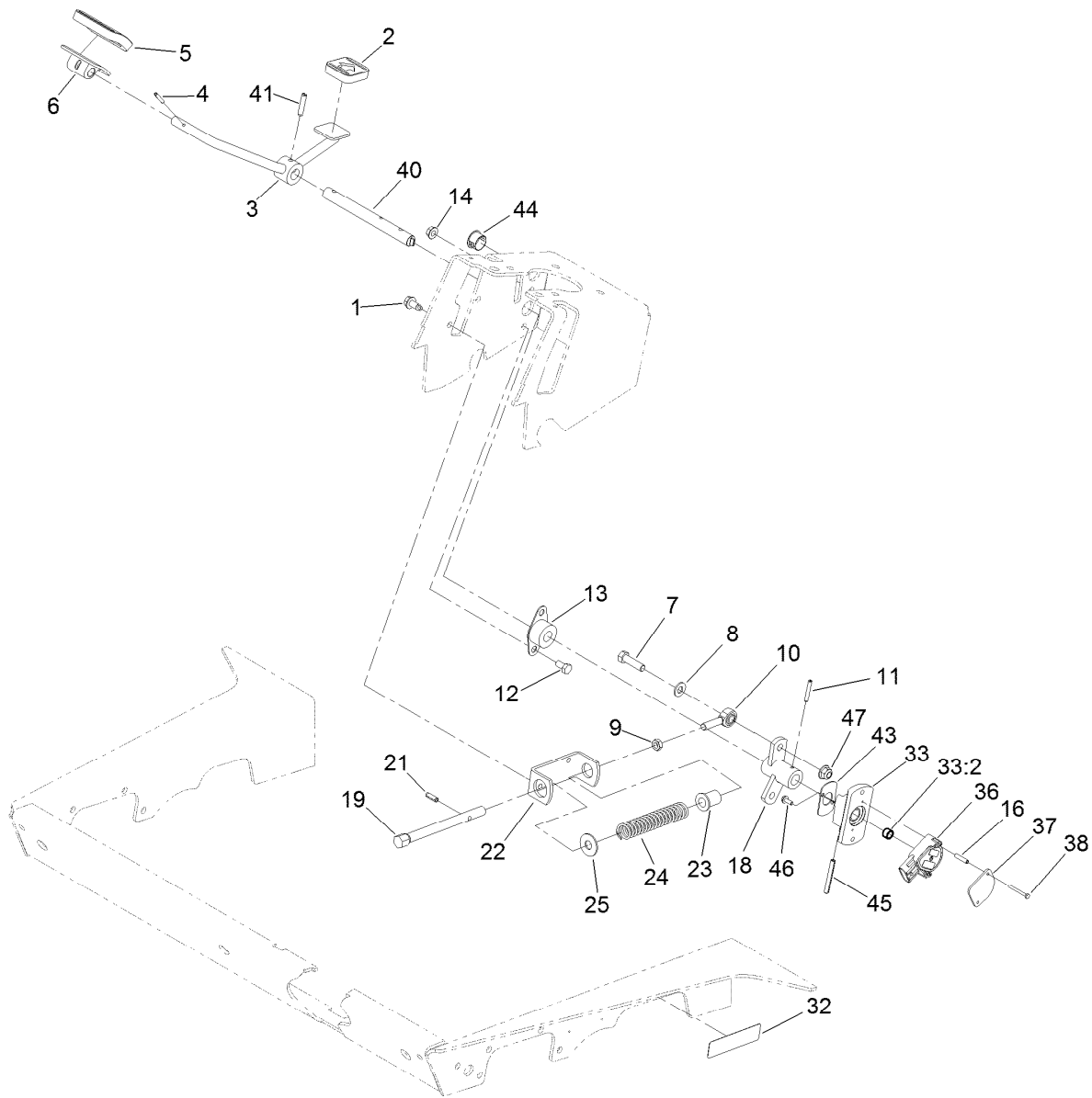
## Steering and Brake Assembly (continued)

<i>Ref.</i>	<i>Part Number</i>	<i>Qty.</i>	<i>Description</i>	<i>Ref.</i>	<i>Part Number</i>	<i>Qty.</i>	<i>Description</i>
1	98-1459	1	Decal	22	92-7530	1	Cable-Brake, LH
2	3296-33	1	Nut-Lock, NI	23	92-7529	1	Cable-Brake, RH
3	3256-27	1	Washer-Flat	24	63-7880	1	Pin-Latch, Brake
4	98-1471	1	Wheel-Steering	25	32121-50	1	Pin-Spring
4:1	98-1468	1	Cover-Wheel, Steering	26	3272-10	2	Pin-Cotter
6	106-3622	1	Steering Tilt Column ASM	27	3290-378	1	Tie-Cable
7	105-2409	4	Screw-HSH	28	99-7963-03	1	Pedal-Park
8	3274-7	4	Screw-HSH	29	3234-13	2	Screw-HHF
9	104-8301	5	Nut-HF, NI	30	99-7140	1	Spring-Torsion
10	3234-11	4	Screw-HHF	31	115-4417	1	Rod-Brake Pawl
11	115-4379-01	1	Brace-Column	32	119-0002	1	Pawl-Brake
12	114-8119	1	Steering Valve ASM	33	120-1691	1	Detent-Brake
13	52-2891	2	Bushing-Flanged, Nylon	34	323-12	1	Screw-HH
14	340-2	5	Fitting-Straight	35	3296-2	1	Nut-Lock, NI
14:1	237-22	1	O-Ring	36	3229-34	1	Screw-CARR
14:2	237-42	1	O-Ring	37	100-1270	1	Switch-Proximity
15	105-4886	4	Nut-Tinnerman	38	100-4872	1	Plate-Switch, Neutral
16	75-1470	1	Pin-Pivot, Brake	41	322-3	1	Screw-HH
17	3256-69	3	Washer-Flat	42	3256-22	3	Washer-Flat
18	119-0005	1	RH Brake Pedal ASM	43	256-236	2	Bearing-Mount, Flange
18:2	256-42	2	Bushing	44	32128-20	3	Nut-HF
18:3	302-5	1	Fitting-Grease	45	3272-5	3	Pin-Cotter
19	115-4421-03	1	Pedal-Brake, LH	46	117-4763	1	Decal-Brake
20	32121-16	1	Pin-Spring	48	322-2	2	Screw-HH
21	283-58	2	Pin-Clevis				



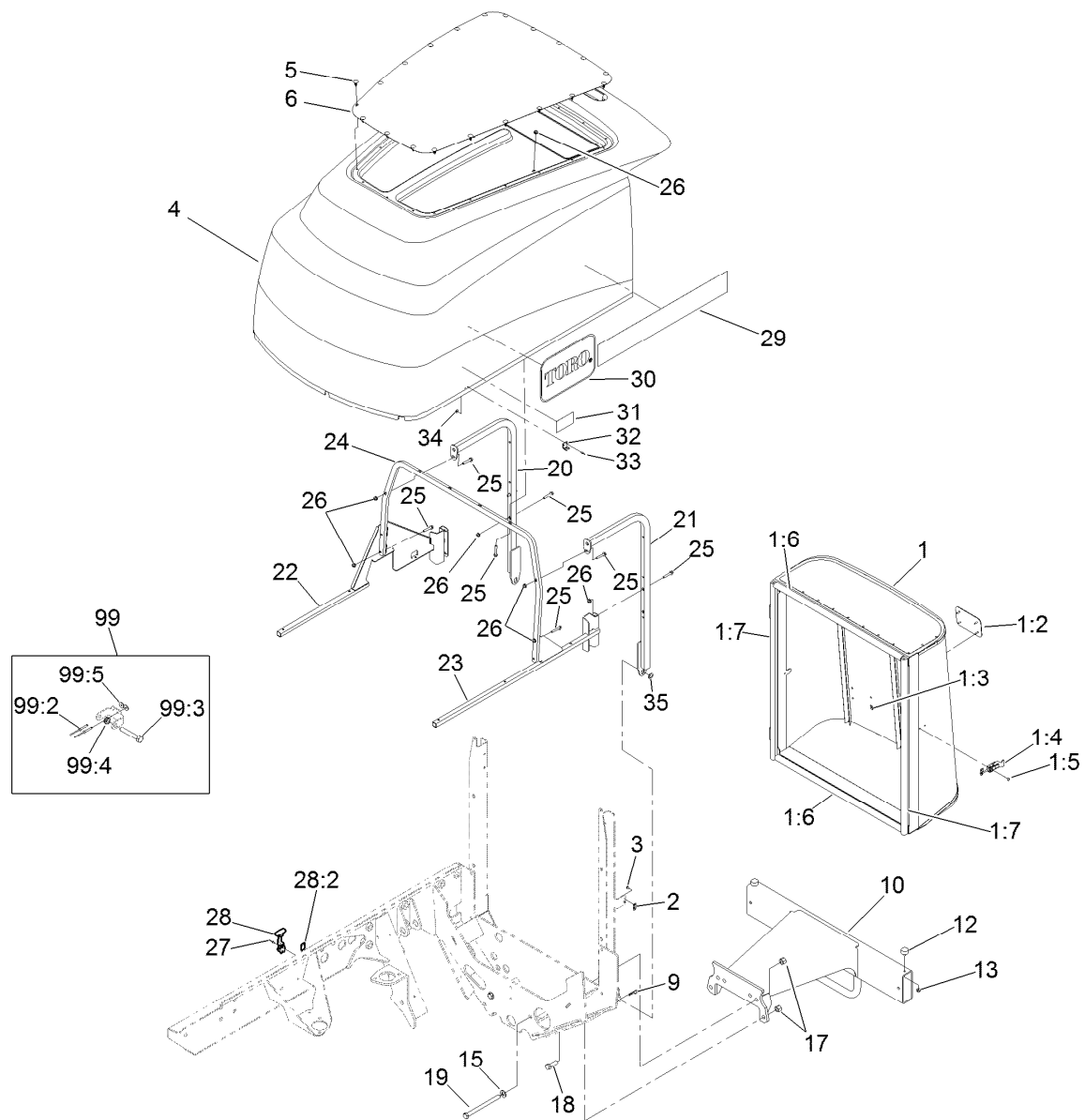
## Steering Valve Assembly No. 114-8119

<i>Ref.</i>	<i>Part Number</i>	<i>Qty.</i>	<i>Description</i>
1	106-6716	1	Seal Kit



## Pedal Assembly

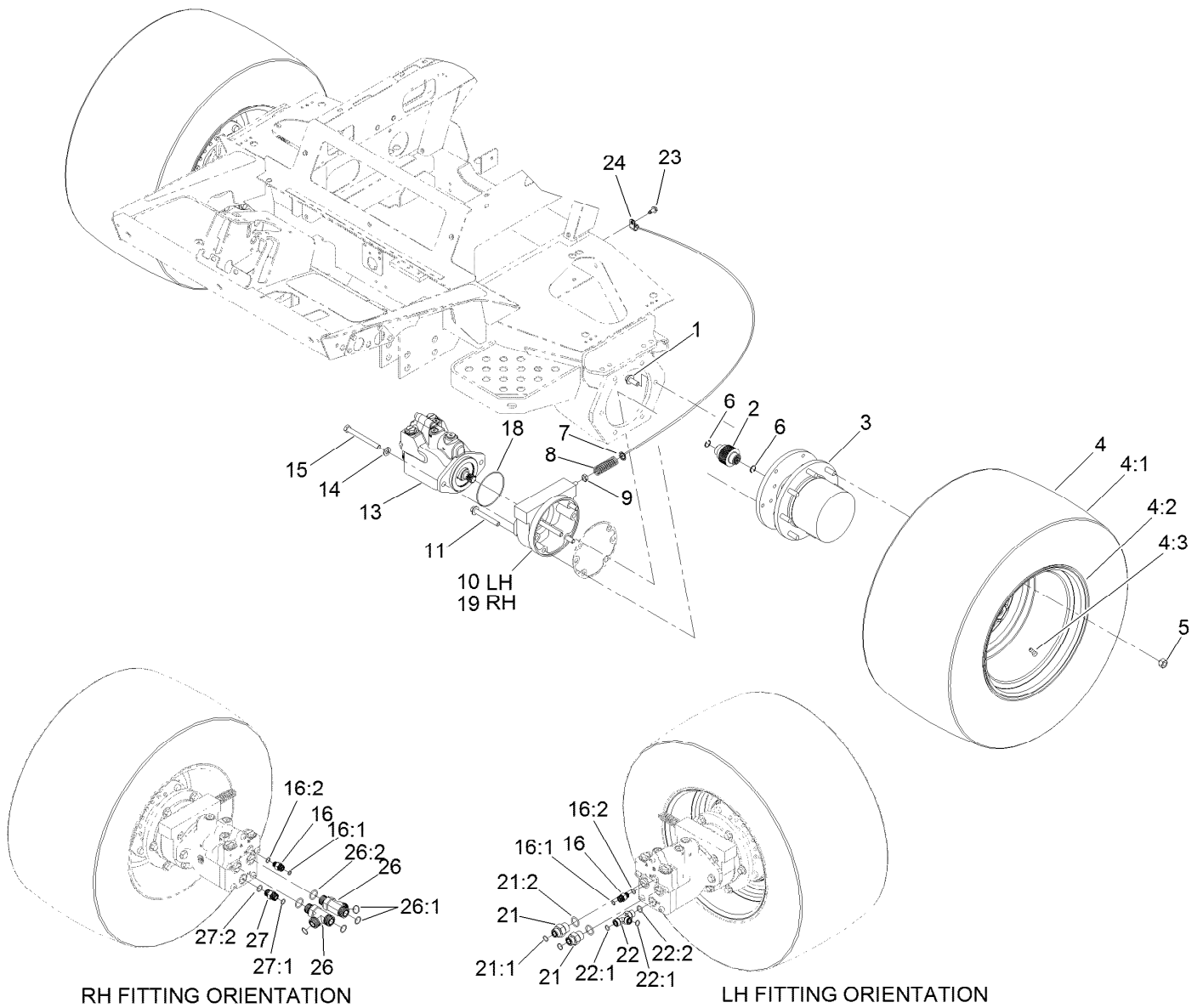
<i>Ref.</i>	<i>Part Number</i>	<i>Qty.</i>	<i>Description</i>	<i>Ref.</i>	<i>Part Number</i>	<i>Qty.</i>	<i>Description</i>
1	32104-32	2	Screw-HWH	22	92-7608-03	1	Bracket-Spring
2	74-9110	1	Pad-Pedal, Reverse	23	92-7610	1	Retainer-Spring
3	120-8095	1	Pedal	24	84-9100	1	Spring
4	32121-45	1	Pin-Spring	25	3256-5	1	Washer-Flat
5	74-9100	1	Pad-Pedal, Forward	32	117-2718	1	Decal-Arrester, Spark
6	117-9507	1	Pedal-Accelerator	33	120-8038	1	Hub ASM
7	323-29	1	Screw-HH	33:2	95-7497	1	Bushing-Wheel
8	3256-24	1	Washer-Flat	36	114-5609	1	Sensor-Position
9	3220-3	1	Nut-HJ	37	114-5595	1	Plate-Capture
10	2411-36	1	Bearing-End, Rod	38	32105-21	2	Screw-HH
11	32121-6	1	Pin-Roll, Slotted	40	120-8091	1	Shaft-Pivot, Traction
12	322-2	4	Screw-HH	41	32121-69	1	Pin-Spring
13	256-236	1	Bearing-Mount, Flange	43	120-8089	1	Plate-Cover, Sensor
14	32128-20	2	Nut-HF	44	121-3099	1	Plug-Panel, Plastic
16	114-5608	2	Spacer-Standoff	45	32121-78	1	Pin-Roll
18	120-8088-03	1	Hub-Traction Pedal Pivot	46	3290-321	2	Screw-HWH
19	115-4383	1	Shaft-Spring	47	104-8301	1	Nut-HF, NI
21	32121-11	1	Pin-Roll				



## Hood Assembly

Ref.	Part Number	Qty.	Description	Ref.	Part Number	Qty.	Description
1	115-4362	1	Screen ASM	21	114-8109-03	1	Tube-LH
1:2	93-6028	1	Plate-Logo	22	121-3136-03	1	Tube-RH
1:3	94-2638	4	Nut-Flat	23	114-8102-03	1	Tube
1:4	114-8117	1	Latch-Adjustable	24	121-3133-03	1	Tube-Frame, Hood
1:5	3269-3	2	Rivet-Pop	25	94-5781	25	Screw-HHF
1:6	115-4358	2	Seal-Bulb	26	104-7201	26	Nut-HF
1:7	115-4359	2	Seal-Bulb	27	3290-55	4	Rivet-Pop
2	115-4357	1	Latch-Keeper	28	59-9740	2	Flex Draw Latch ASM
3	3269-3	2	Rivet-Pop	28:2	249-40	1	Keeper
4	121-3137	1	Hood ASM	29	105-9876	2	Decal
5	117-2382	20	Plug-Plastic	30	66-1210	2	Decal
6	114-4192-03	1	Screen-Hood	31	106-6754	2	Decal-Danger
9	3290-467	2	Pin-Hair	32	249-40	2	Keeper
10	120-8020-03	1	Bumper-Rear	33	3269-17	4	Rivet-Pop
12	240-14	2	Bumper-Rubber	34	3269-10	4	Washer-Back
13	32128-33	2	Nut-HF	35	98-1629	2	Washer
15	3256-26	2	Washer-Flat	99	119-2004	1	CE Latch Kit
17	3296-23	4	Nut-Lock, NI	99:2	107-0333	2	Rivet-Pop
18	325-6	2	Screw-HH	99:3	322-10	1	Screw-HH
19	325-33	2	Screw-HH	99:4	3296-47	1	Nut-Lock, NI
20	114-8108-03	1	Tube-RH	99:5	3269-10	2	Washer-Back

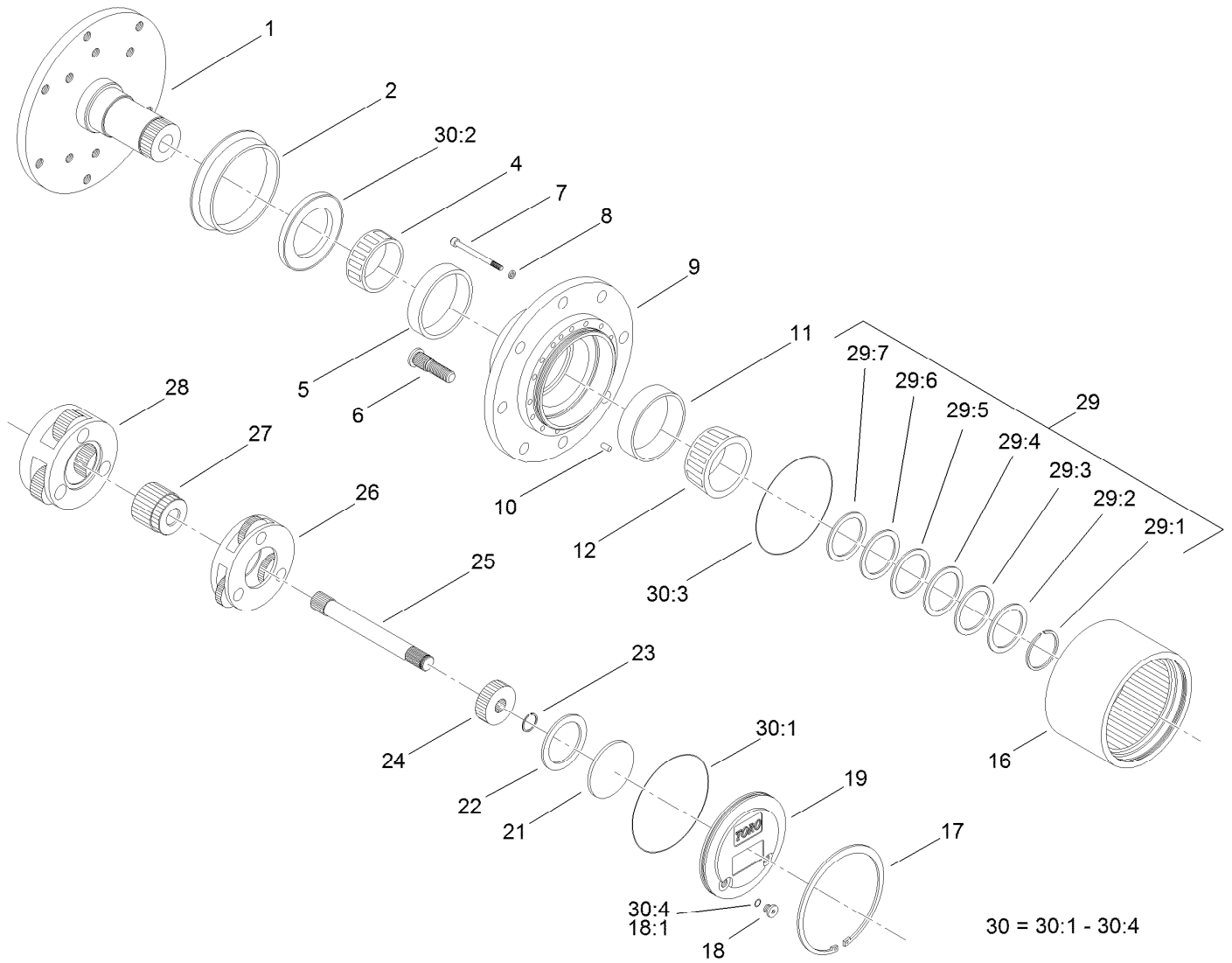




## Front Wheel Drive Assembly

Ref.	Part Number	Qty.	Description	Ref.	Part Number	Qty.	Description
1	33106-030	12	Screw-HHF	16:1	237-22	1	O-Ring
2	100-3046	2	Shaft-Brake, Splined	16:2	237-42	1	O-Ring
3	105-4500-03	2	Planetary ASM	18	237-166	2	O-Ring
4		2	Tire And Wheel ASM ●	19	100-3069-03	1	Brake ASM
4:1	119-0023	1	Tire	21	340-8	2	Fitting-Straight
4:2	119-0024	1	Wheel	21:1	237-65	1	O-Ring
4:3	232-24	1	Stem-Valve	21:2	237-81	1	O-Ring
5	92-7483	16	Nut-Lug	22	340-109	1	Fitting-Tee
6	93-7972	4	Ring-Retaining, Internal	22:1	237-79	1	O-Ring
7	94-3050	2	Plate-Spring	22:2	237-30	2	O-Ring
8	94-3088	2	Spring-Compression	23	32104-32	2	Screw-HWH
9	3218-4	2	Nut-Jam	24	2412-93	2	Clamp-R
10	100-3070-03	1	Brake ASM	26	340-148	2	Fitting-Tee
11	33106-090	8	Screw-HHF	26:1	237-81	1	O-Ring
13	121-3100	2	HYD Piston Motor ASM	26:2	237-58	2	O-Ring
14	106-9888	4	Washer-Flat	27	340-4	1	Fitting-Straight
15	33116-120	4	Screw-HH	27:1	237-30	1	O-Ring
16	340-2	2	Fitting-Straight	27:2	237-79	1	O-Ring

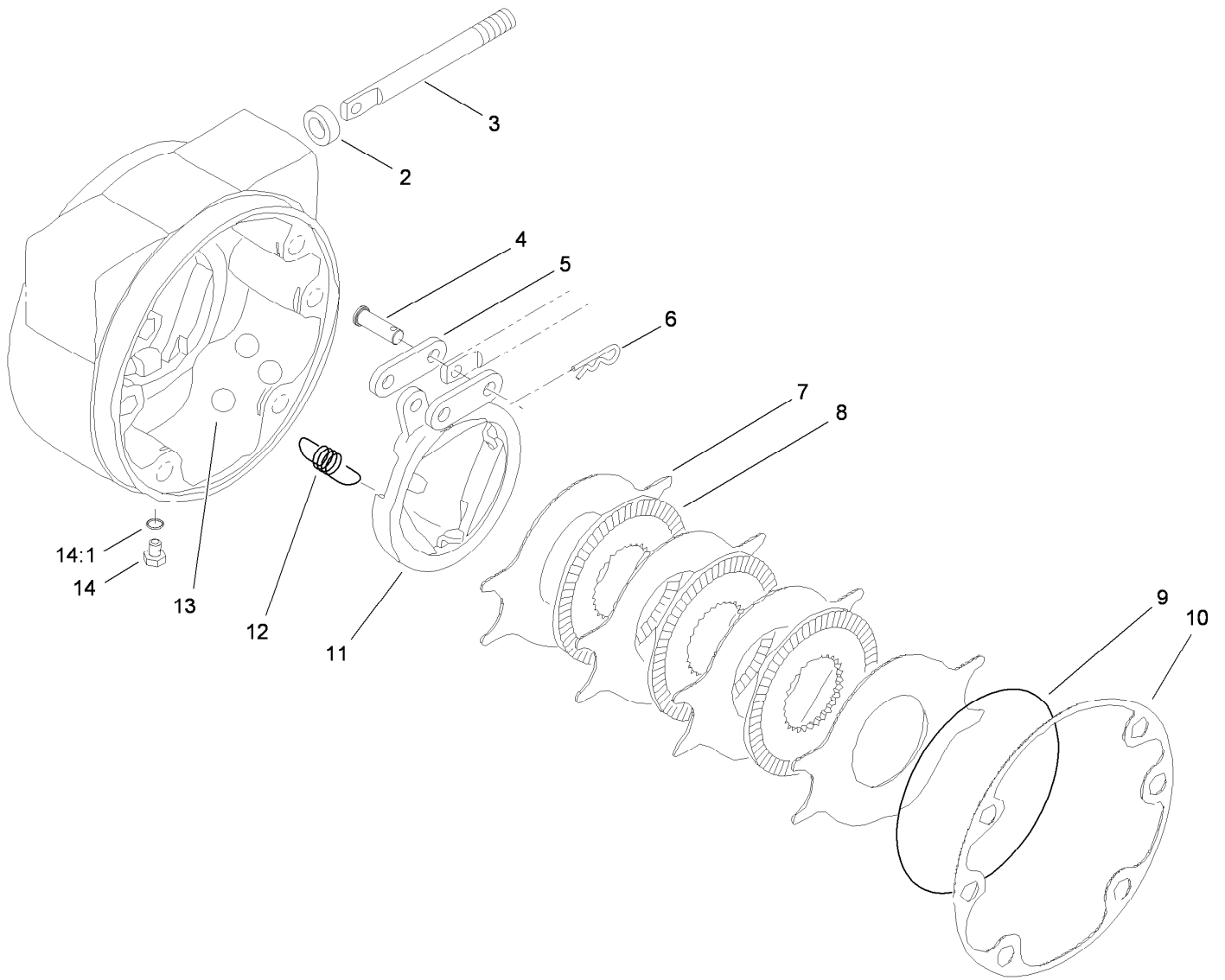
● Not serviced separately



## Planetary Assembly No. 105-4500-03

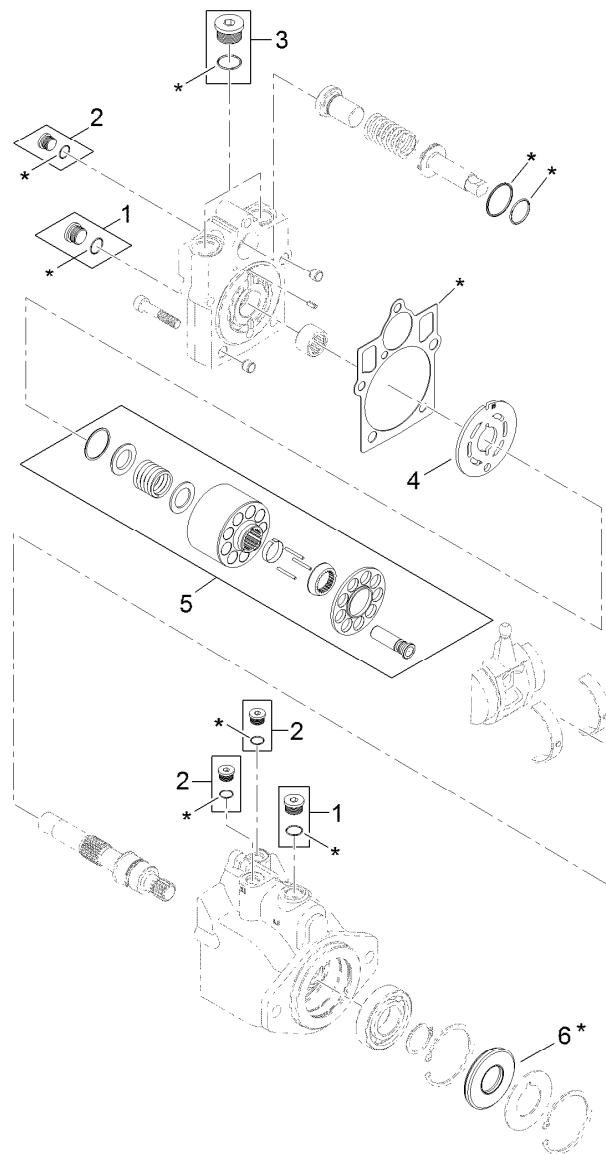
Ref.	Part Number	Qty.	Description	Ref.	Part Number	Qty.	Description
1		1	Spindle ●	24	105-8114	1	Gear-Primary
2	105-8122	1	Seal-Boot	25	105-8115	1	Shaft-Drive
4	105-8120	1	Bearing-Cone	26	105-8129	1	Carrier-Primary
5	105-8119	1	Bearing-Cup	27	105-8139	1	Gear-Secondary
6	105-8124	8	Stud-Wheel	28	105-8130	1	Carrier-Secondary
7	105-8125	16	Bolt-Head, Socket	29	105-8136	1	Shim Kit
8	3253-18	16	Washer-Lock	29:1		1	Ring-Snap ●
9		1	Housing ●	29:2		1	Shim-Bearing, 2.9Mm ●
10	105-8121	1	Pin-Dowel	29:3		1	Shim-Bearing, 2.8Mm ●
11	105-8117	1	Bearing-Cup	29:4		1	Shim-Bearing, 2.7Mm ●
12	105-8118	1	Bearing-Cone	29:5		1	Shim-Bearing, 2.6Mm ●
16	105-8113	1	Gear-Ring	29:6		1	Shim-Bearing, 2.5Mm ●
17	105-8132	1	Ring-Retaining	29:7		1	Shim-Bearing, 2.4Mm ●
18	353-990	2	Plug ASM	30	105-8137	1	Seal Kit
18:1	237-78	1	O-Ring	30:1		1	O Ring-Flange Cap ●
19	105-8138	1	Cap-End	30:2		1	Seal-Oil ●
21	105-8133	1	Plug-Thrust	30:3		2	O Ring-End Cap ●
22	105-8123	1	Washer-Thrust	30:4	237-78	2	O-Ring
23	105-8131	1	Ring-Retaining				

● Not serviced separately



## Brake Assembly No. 100-3070-03

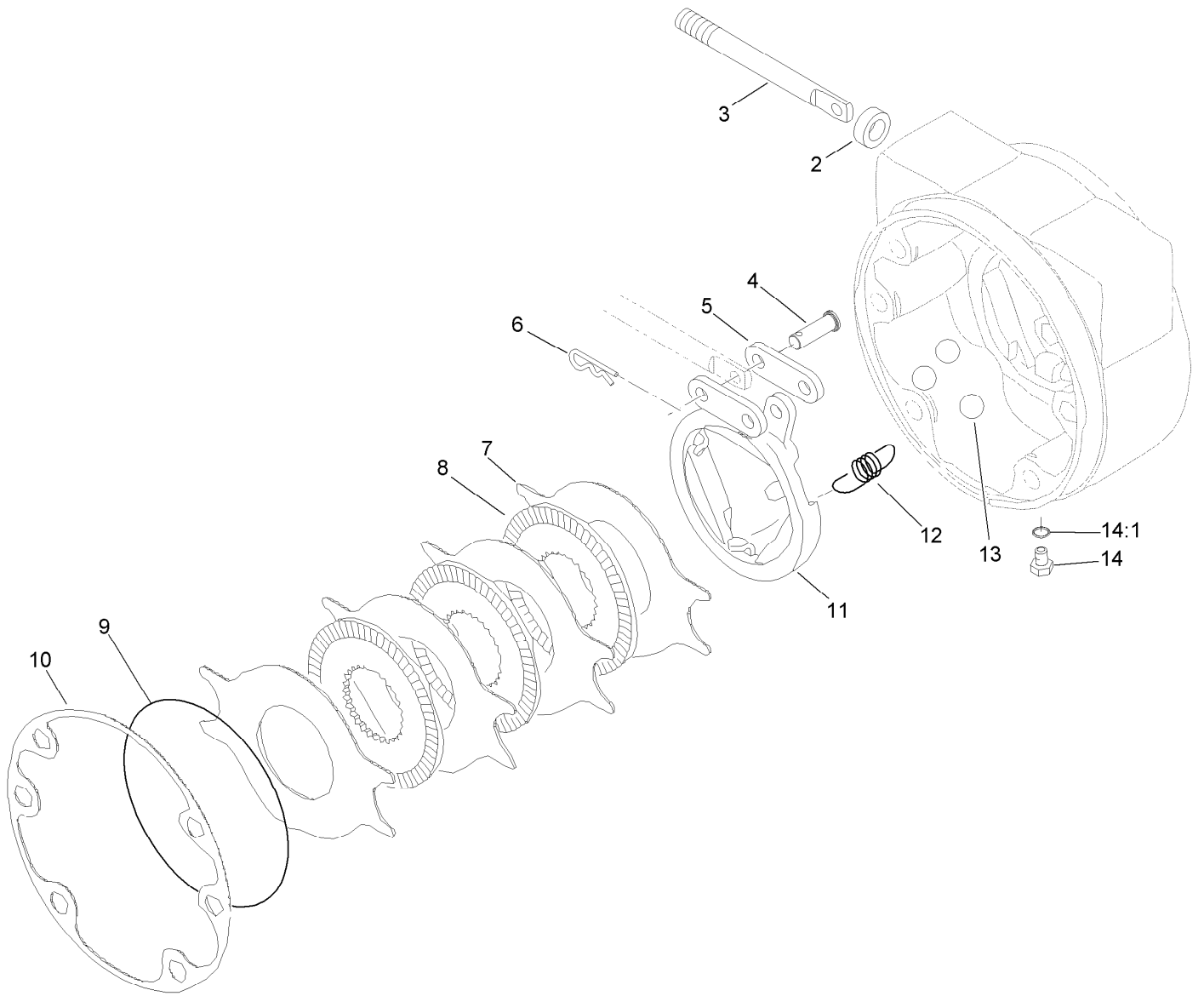
<i>Ref.</i>	<i>Part Number</i>	<i>Qty.</i>	<i>Description</i>
2	93-7977	1	Seal
3	93-7978	1	Rod-Pull
4	93-7983	2	Pin-Clevis
5	93-7980	2	Link
6	93-7979	2	Pin-Hitch
7	93-7986	4	Disc-Stationary
8	104-4278	3	Disc-Rotating
9	93-7976	1	Ring-Retaining
10	93-7984	1	Gasket
11	104-4279	1	Actuator-Rotating
12	93-7987	3	Spring-Extension
13	93-7985	3	Ball
14	353-990	2	Plug ASM
14:1	237-78	1	O-Ring



7 = all items with \* are included in overhaul seal kit

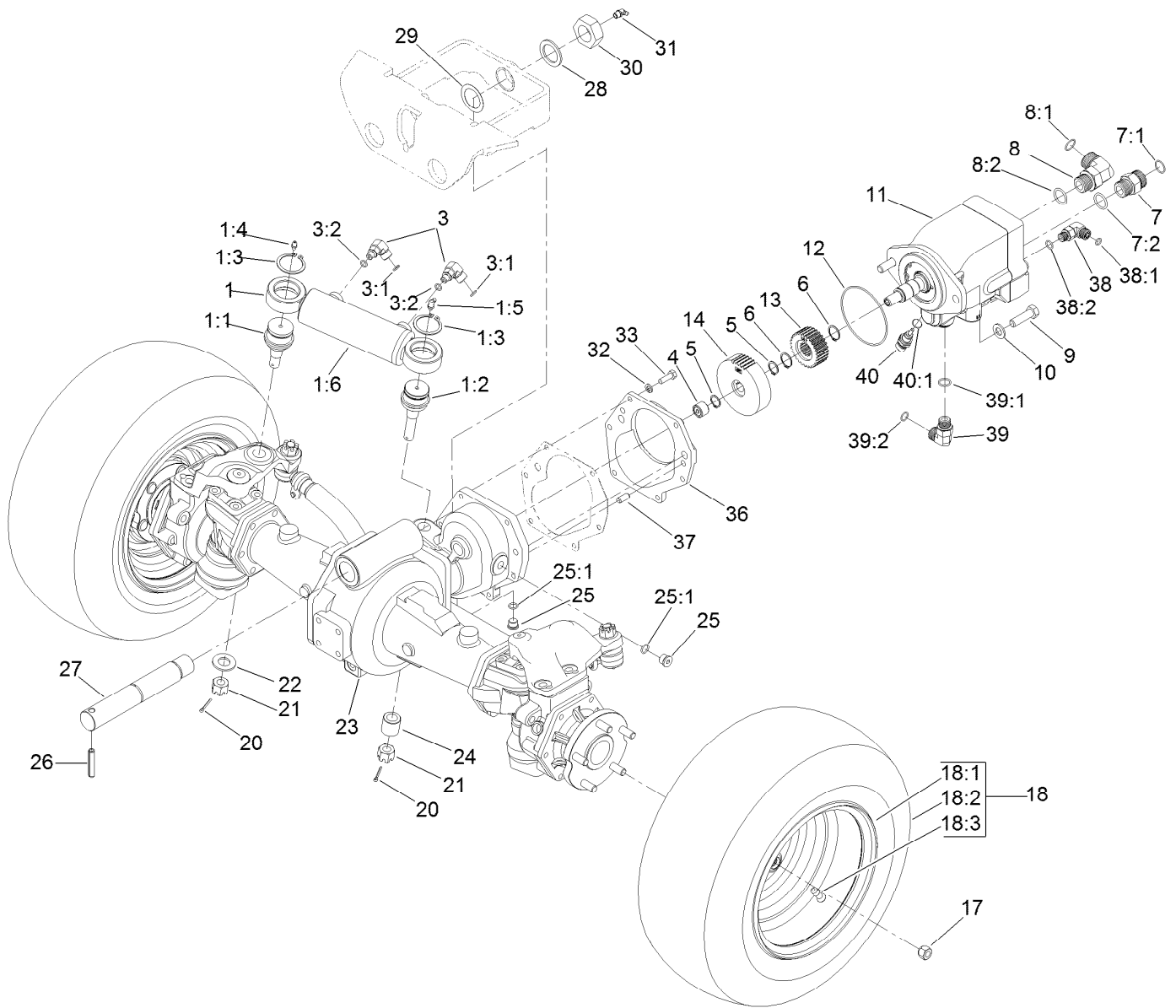
## Hydraulic Piston Motor Assembly No. 121-3100

<i>Ref.</i>	<i>Part Number</i>	<i>Qty.</i>	<i>Description</i>
1	67-9090	2	Plug
2	69-3080	3	Plug
3	107-4352	1	Plug
4	121-1734	1	Plate-Valve
5	121-1735	1	Cylinder Block Kit
6	69-3190	1	Seal-Lip
7	121-1736	1	Overhaul Seal Kit



## Brake Assembly No. 100-3069-03

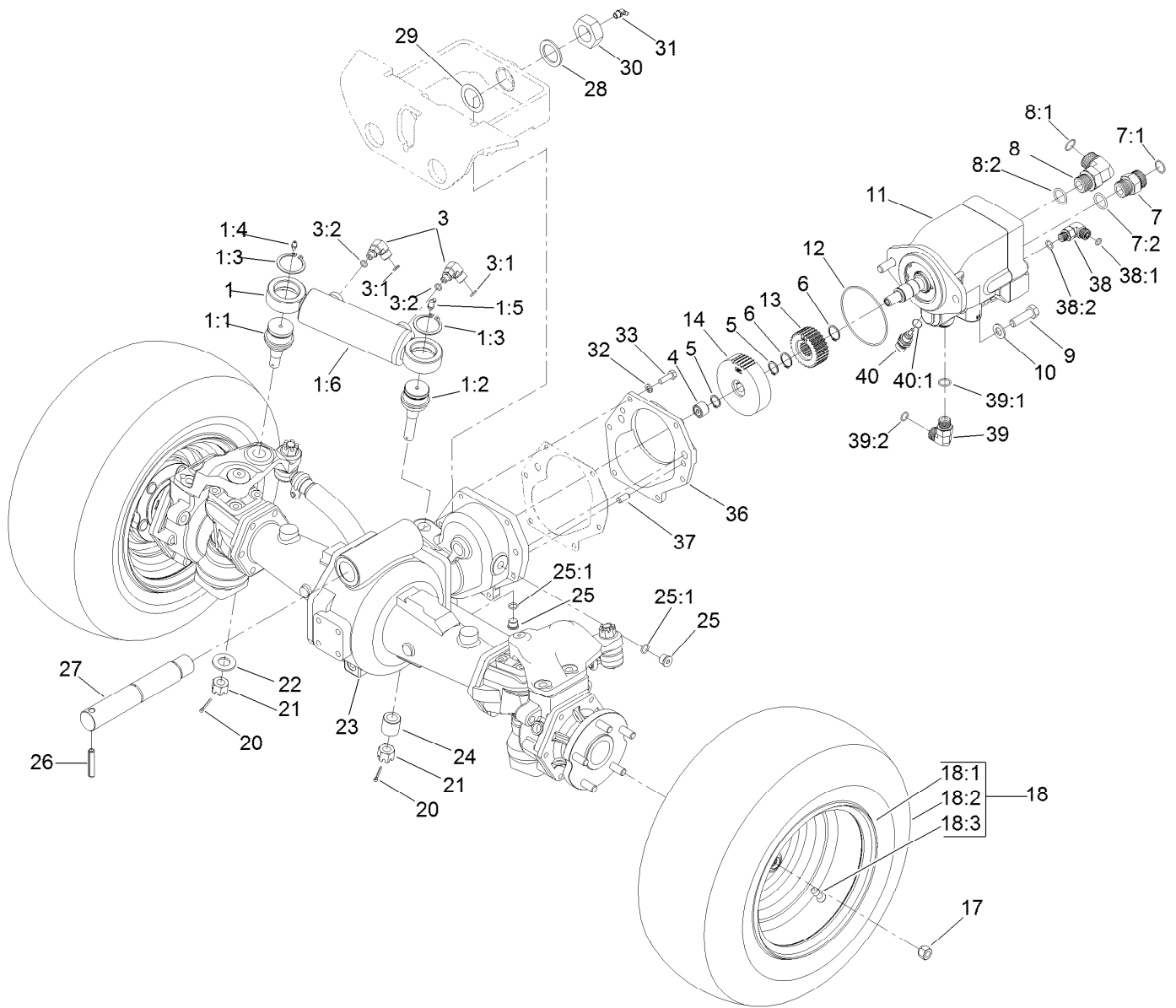
<i>Ref.</i>	<i>Part Number</i>	<i>Qty.</i>	<i>Description</i>
2	93-7977	1	Seal
3	93-7978	1	Rod-Pull
4	93-7983	2	Pin-Clevis
5	93-7980	2	Link
6	93-7979	2	Pin-Hitch
7	93-7986	4	Disc-Stationary
8	104-4278	3	Disc-Rotating
9	93-7976	1	Ring-Retaining
10	93-7984	1	Gasket
11	104-4280	1	Actuator-Rotating
12	93-7987	3	Spring-Extension
13	93-7985	3	Ball
14	353-990	2	Plug ASM
14:1	237-78	1	O-Ring



## Rear Axle Assembly

Ref.	Part Number	Qty.	Description	Ref.	Part Number	Qty.	Description
1	105-9861	1	Steering Cylinder ASM	8:1	237-58	1	O-Ring
1:1	106-6774	1	Joint-Ball	8:2	237-81	1	O-Ring
1:2	100-3795	1	Joint-Ball	9	325-7	2	Screw-HH
1:3	32151-104	2	Ring-Retaining, External	10	106-9888	2	Washer-Flat
1:4	302-5	1	Fitting-Grease	11	121-3101	1	Motor-Piston
1:5	302-60	1	Fitting-Grease	12	237-166	1	O-Ring
1:6	127-6431	1	Hydraulic Steer Cylinder ASM	13	104-0755	1	Pinion-27 Tooth
3	340-97	2	Fitting-Elbow, 90 DEG	14	100-3053	1	Gear-45 Tooth
3:1	237-22	1	O-Ring	17	93-5268	10	Nut-Lug
3:2	237-78	1	O-Ring	18		2	Rim And Tire ASM ●
4	74-5700	1	Bearing-Needle, Roller	18:1	115-1573	1	Rim
5	32120-15	2	Ring-Snap, EXT	18:2	115-1572	1	Tire
6	32120-76	2	Ring-Snap, EXT	18:3	232-27	1	Stem-Valve
7	340-9	1	Fitting-STR	20	3272-11	2	Pin-Cotter
7:1	237-58	1	O-Ring	21	32136-14	2	Nut-Hst
7:2	237-81	1	O-Ring	22	92-5836	1	Washer
8	340-142	1	Fitting-Elbow, 90 DEG	23	110-4750	1	Drive Axle ASM
				24	100-3796	1	Spacer-Joint, Ball

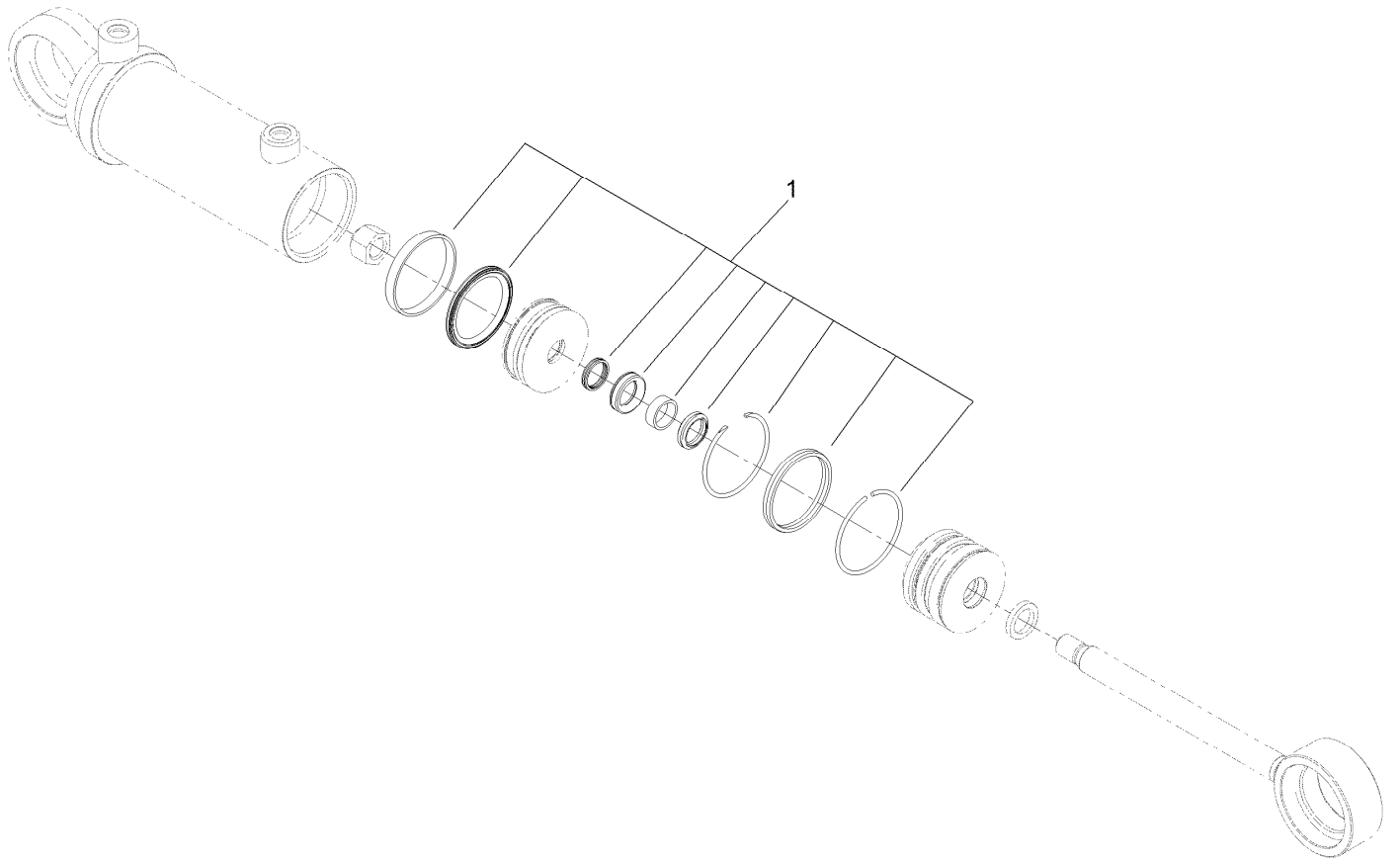
● Not serviced separately



## Rear Axle Assembly (continued)

Ref.	Part Number	Qty.	Description	Ref.	Part Number	Qty.	Description
25	353-989	2	Plug-Hex, Hollow	36	95-7541	1	Plate-Cover
25:1	237-42	1	O-Ring	37	104-2353	2	Pin-Dowel
26	32121-110	1	Pin-Roll, Slotted	38	340-77	1	Fitting-Elbow, 90 DEG
27	115-9142	1	Pin-Rear Axle	38:1	237-22	1	O-Ring
28	92-1765	1	Washer-Thrust	38:2	237-42	1	O-Ring
29	98-3867	2	Washer-Thrust	39	340-98	1	Fitting-Elbow, 90 DEG
30	3296-68	1	Nut-Lock, NI	39:1	237-79	1	O-Ring
31	302-33	1	Fitting-Grease	39:2	237-30	1	O-Ring
32	3253-4	6	Washer-Lock	40	110-8829	1	Sender-Temperature
33	33114-025	6	Screw-HH	40:1	237-42	1	O-Ring

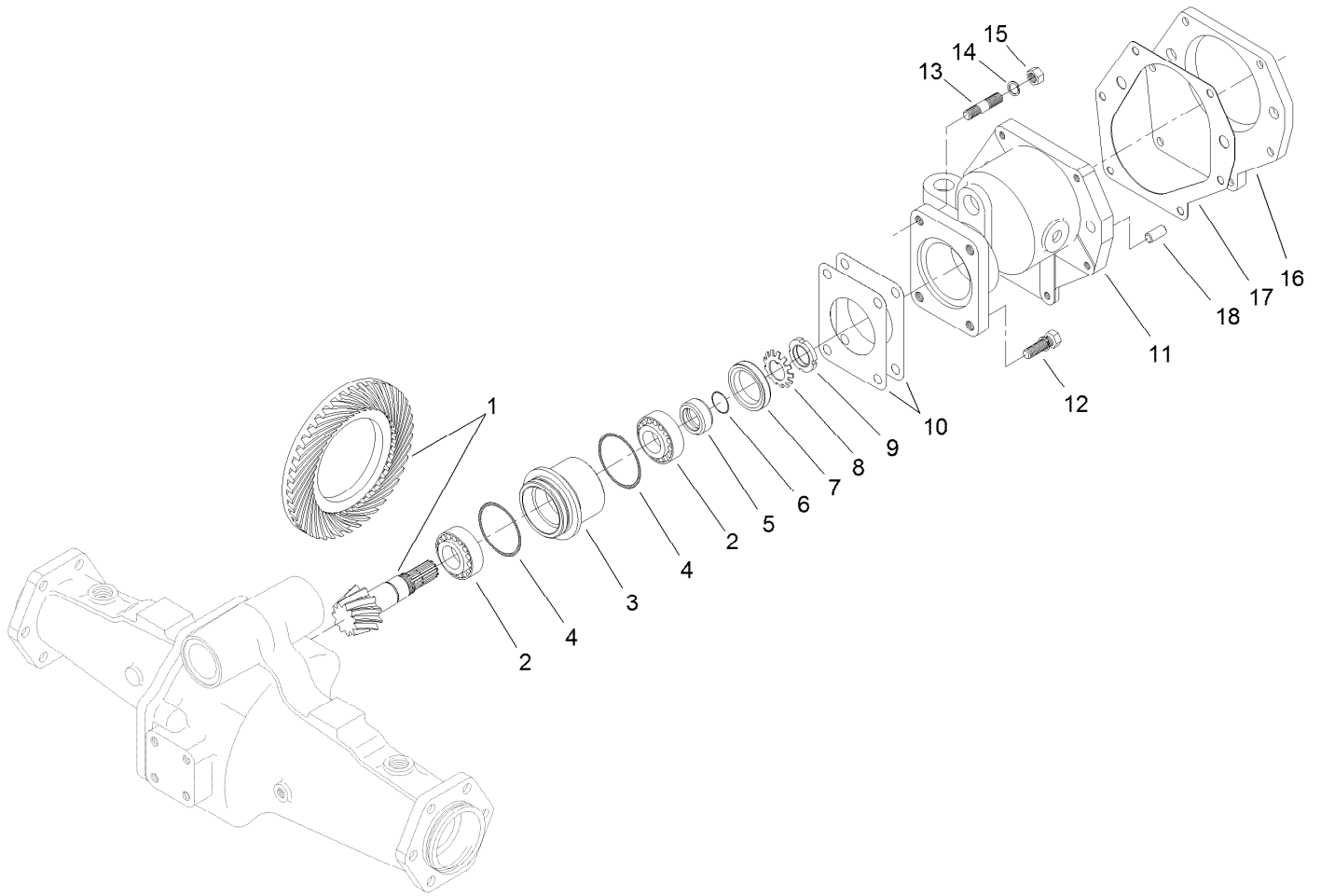
● Not serviced separately



## Hydraulic Steer Cylinder Assembly No. 127-6431

<i>Ref.</i>	<i>Part Number</i>	<i>Qty.</i>	<i>Description</i>
1	131-7756	1	Cylinder Seal Kit

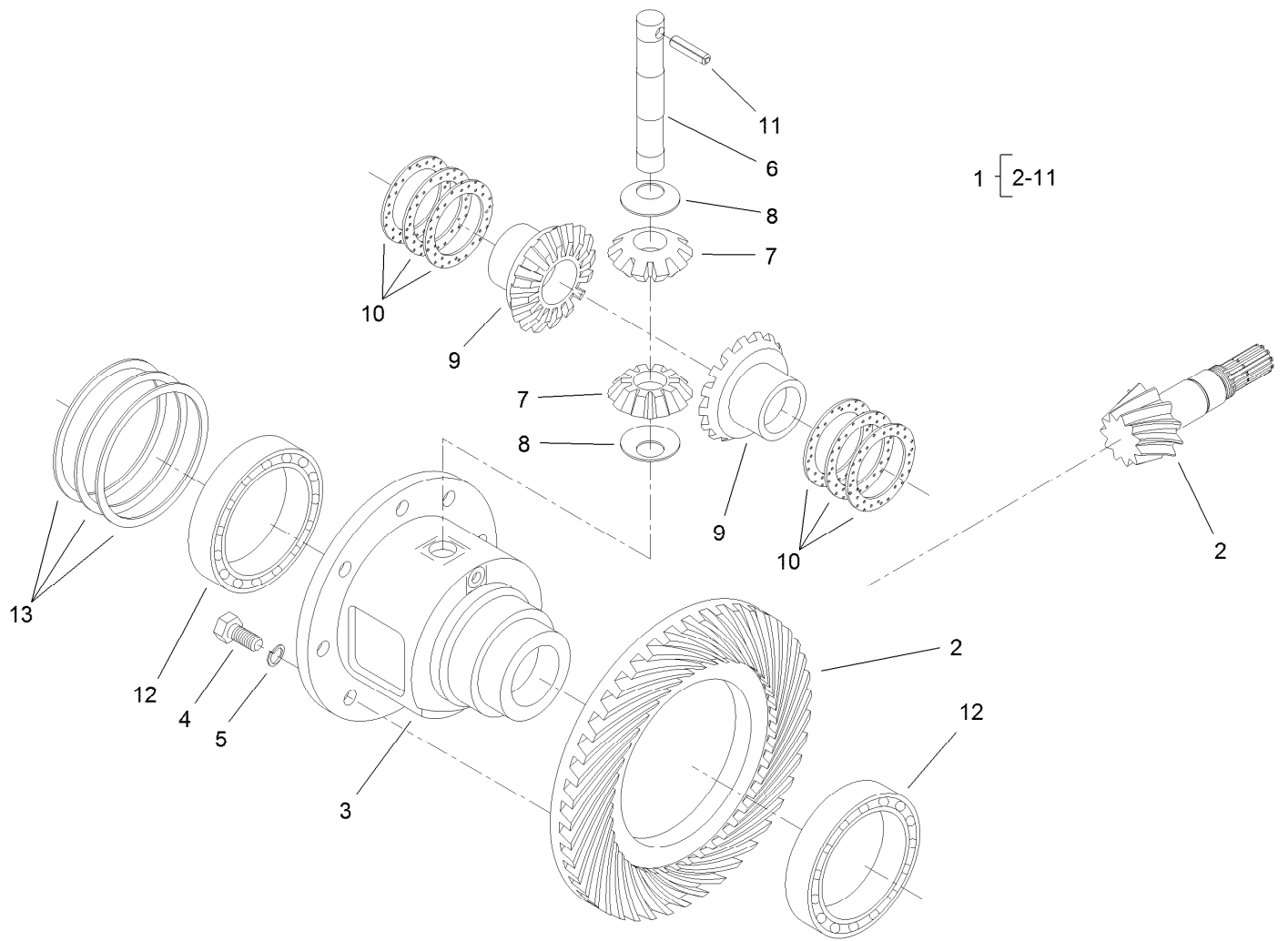




## Bevel Pinion Shaft Assembly Rear Axle Assembly No. 110-4750

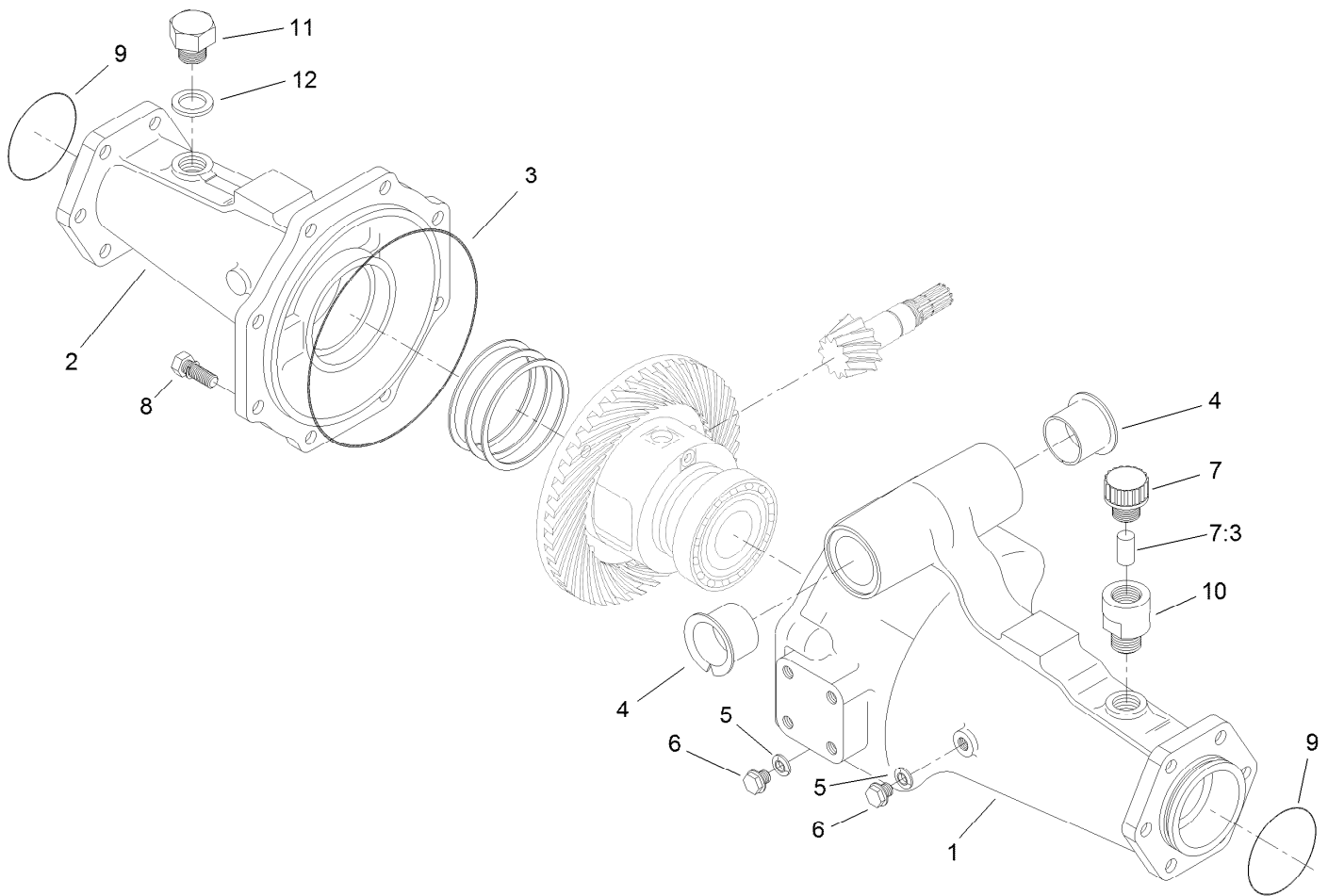
<i>Ref.</i>	<i>Part Number</i>	<i>Qty.</i>	<i>Description</i>
1	106-1093	1	Ring And Pinion Set
2	99-7570	2	Bearing-Roller, Taper
3	95-7534	1	Case-Bearing
4	106-1065	2	O-Ring
5	99-7572	1	Collar-Seal, Oil
6	106-1066	1	O-Ring
7	99-7574	1	Seal-Oil
8	99-7559	1	Washer-Lock
9	99-7560	1	Nut-Lock
10	99-7550	2	Shim 0.1

<i>Ref.</i>	<i>Part Number</i>	<i>Qty.</i>	<i>Description</i>
10	99-7551	2	Shim 0.2
11	95-7533	1	Case-Gear
12	99-7575	2	Bolt
13	98-7735	2	Stud
14	99-7527	2	Washer-Spring
15	99-7526	2	Nut
16	95-7541	1	Plate-Cover
17	106-1140	1	Gasket
18	104-2353	2	Pin-Dowel



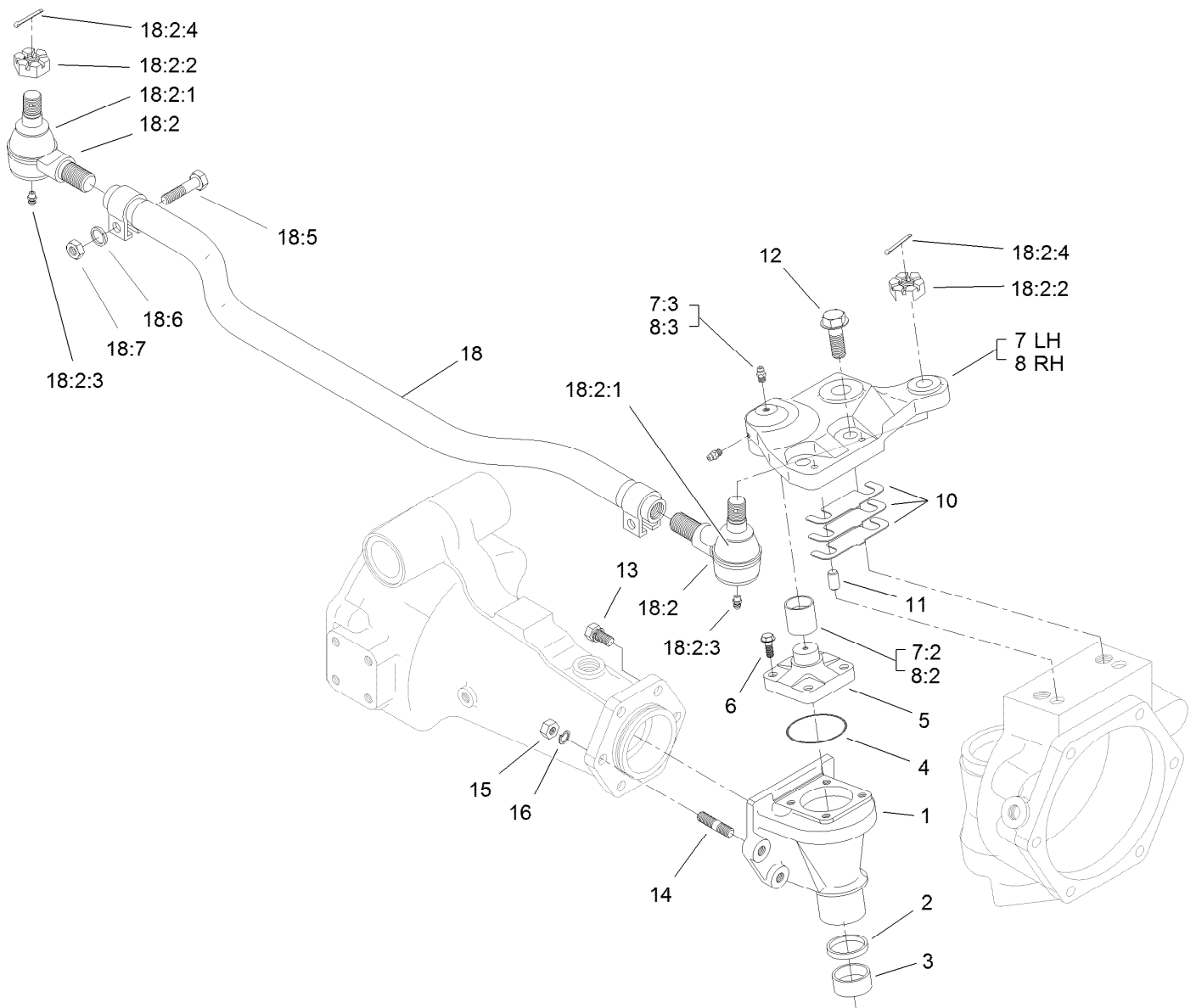
## Differential Assembly Rear Axle Assembly No. 110-4750

<i>Ref.</i>	<i>Part Number</i>	<i>Qty.</i>	<i>Description</i>	<i>Ref.</i>	<i>Part Number</i>	<i>Qty.</i>	<i>Description</i>
1	95-7503	1	Differential ASM	10	99-7582	2	Washer-Differential
2	106-1093	1	Ring And Pinion Set	10	99-7583	2	Washer-Differential
3	95-7502	1	Case-Differential	10	99-7584	2	Washer-Differential
4	99-7576	8	Bolt	11	99-7588	1	Pin-Spring
5	3253-4	8	Washer-Lock	12	99-7562	2	Bearing-Ball
6	99-7578	1	Shaft-Differential	13	99-7585	2	Shim 0.1
7	99-7579	2	Pinion-Differential	13	99-7586	2	Shim 0.2
8	99-7580	2	Washer-Differential	13	99-7587	2	Shim 0.4
9	99-7581	2	Gear-Differential				



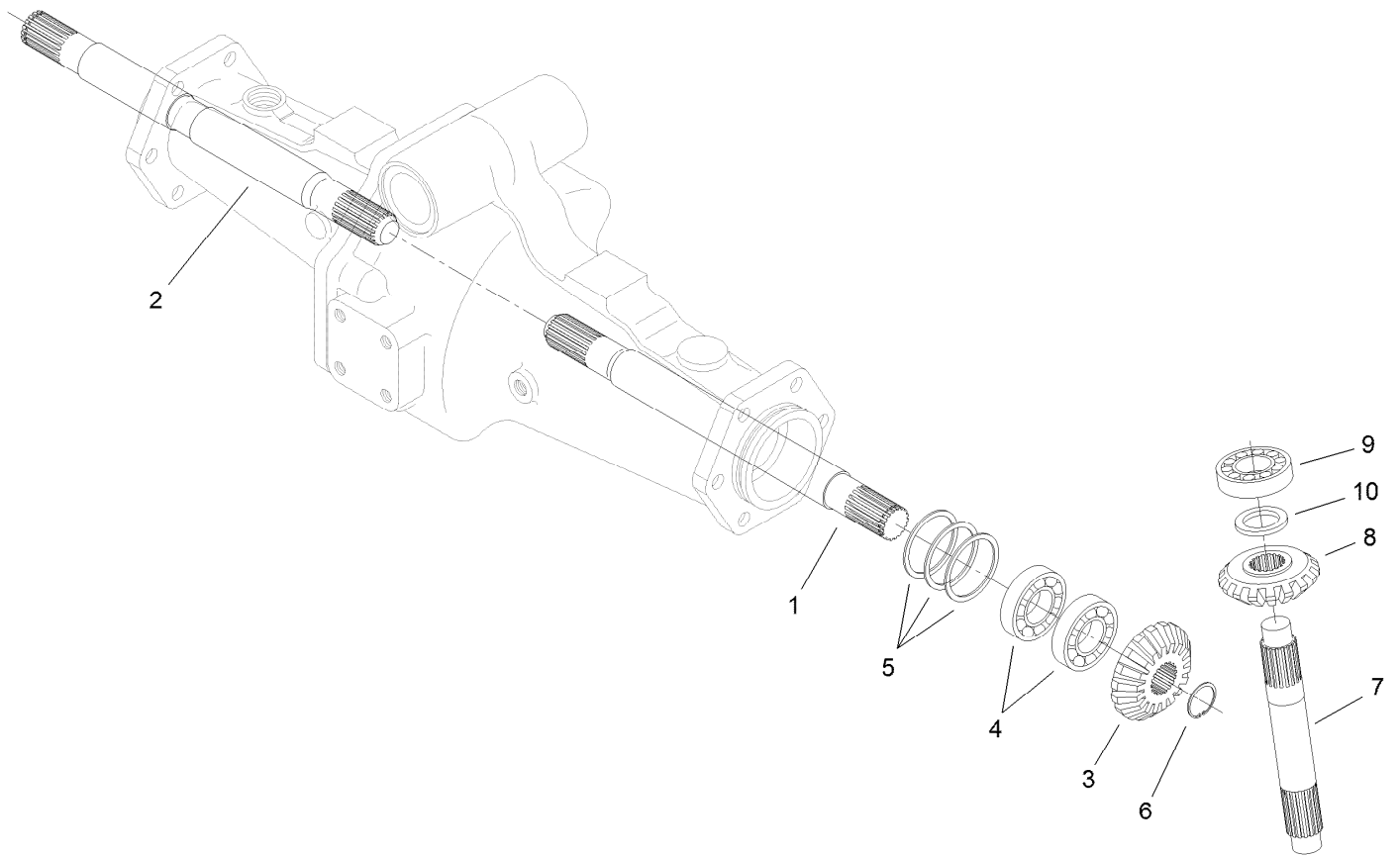
## Axle Support Assembly Rear Axle Assembly No. 110-4750

<i>Ref.</i>	<i>Part Number</i>	<i>Qty.</i>	<i>Description</i>
1	95-7508	1	Support-Axle
2	95-7506	1	Support-Axle
3	106-1067	1	O-Ring
4	95-7537	2	Bushing-Flanged
5	99-7590	2	Washer-Seal
6	99-7589	2	Plug
7	110-4812	1	Axle Vent ASM
7:3	110-4815	1	Insert-Filter, Foam
8	99-7592	8	Bolt
9	106-1068	2	O-Ring
10	104-2377	1	Extension-Vent
11	104-8643	1	Plug
12	104-8644	1	O-Ring



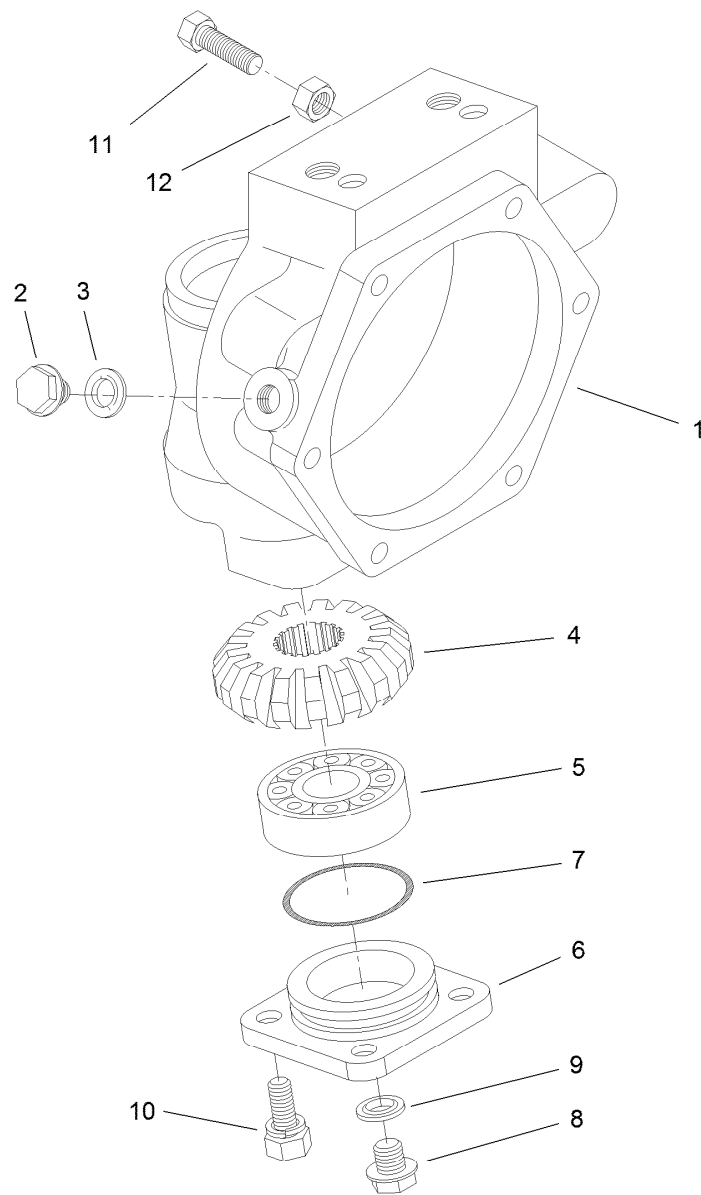
## Bevel Gear Case Assembly Rear Axle Assembly No. 110-4750

Ref.	Part Number	Qty.	Description	Ref.	Part Number	Qty.	Description
1	110-4752	2	Case-Gear, Bevel	12	104-2375	4	Bolt
2	110-4754	2	Seal-Oil	13	99-7599	8	Bolt
3	104-2378	2	Bushing	14	99-7525	4	Stud
4	106-1069	2	O-Ring	15	99-7526	4	Nut
5	104-2373	2	Knuckle	16	99-7527	4	Washer-Spring
6	104-2374	8	Bolt	18	106-1141	1	Steering Tie Rod ASM
7	100-3768	1	LH Steering Arm ASM	18:2	106-1113	2	Tie Rod End ASM - RH Thread
7:2	104-8634	1	Bushing	18:2:1	100-3853	1	Cover-Dust
7:3	106-1104	2	Fitting-Grease	18:2:2	100-3854	1	Nut-Castle
8	100-3766	1	RH Steering Arm ASM	18:2:3	110-4755	1	Fitting-Grease
8:2	104-8634	1	Bushing	18:2:4	3272-11	1	Pin-Cotter
8:3	106-1104	2	Fitting-Grease	18:5	100-3855	2	Bolt
10	95-7547	2	Shim 0.1	18:6	99-7527	2	Washer-Spring
10	95-7548	2	Shim 0.2	18:7	99-7526	2	Nut
10	95-7549	2	Shim 0.3				
11	99-7597	4	Pin-Dowel				



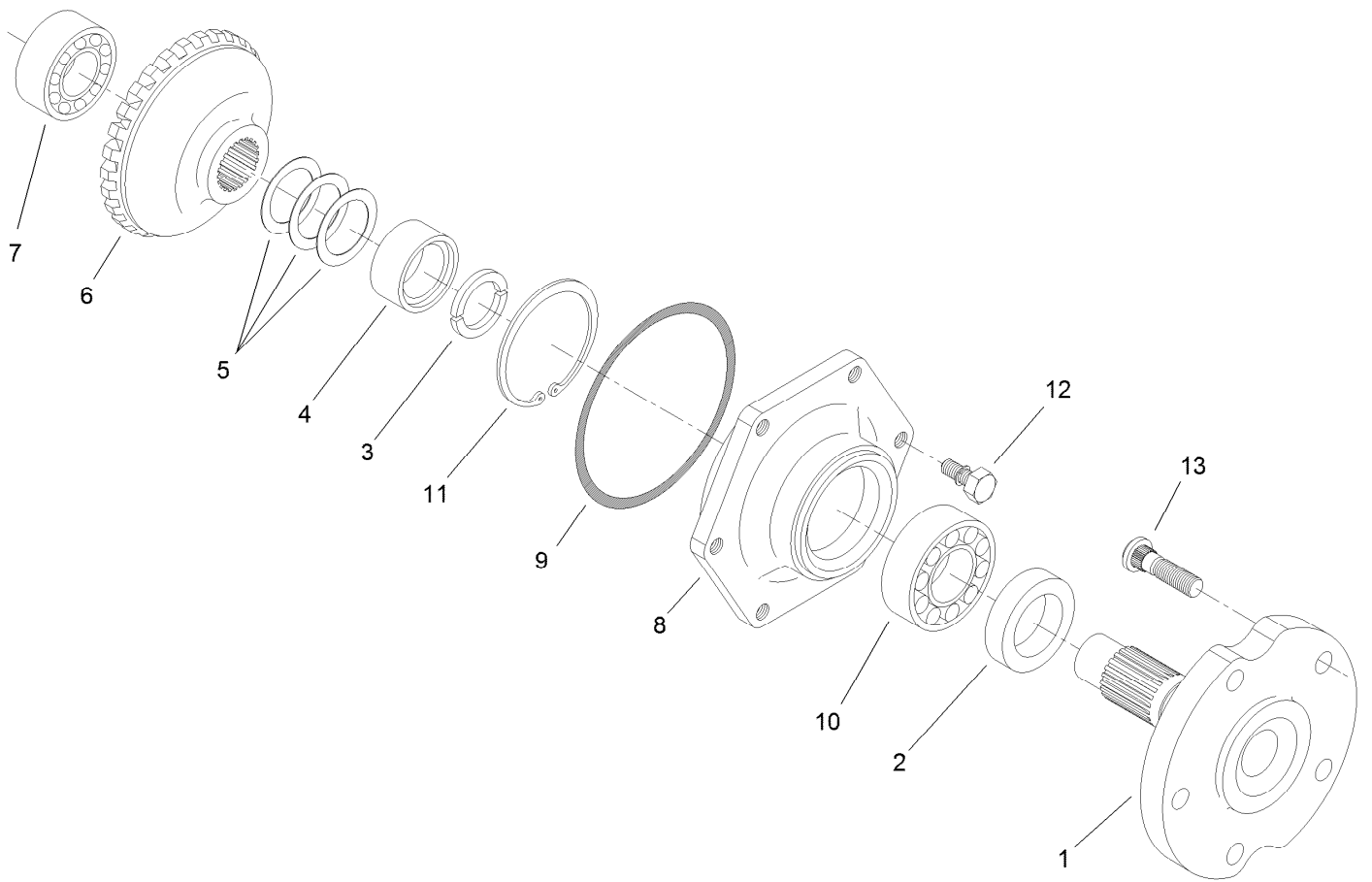
## Bevel Gear Shaft Assembly Rear Axle Assembly No. 110-4750

<i>Ref.</i>	<i>Part Number</i>	<i>Qty.</i>	<i>Description</i>
1	95-7509	1	Shaft-Gear, Differential
2	95-7512	1	Shaft-Gear, Differential
3	95-7517	2	Gear-Bevel, 15 Tooth
4	99-7530	4	Bearing-Ball
5	99-7552	2	Shim 0.1
5	99-7553	2	Shim 0.2
5	99-7554	2	Shim 0.5
6	99-7531	2	Clip
7	110-4753	2	Shaft-Gear, Bevel
8	95-7519	2	Gear-Bevel, 17 Tooth
9	99-7532	2	Bearing-Roller, Taper
10	99-7558	2	Collar



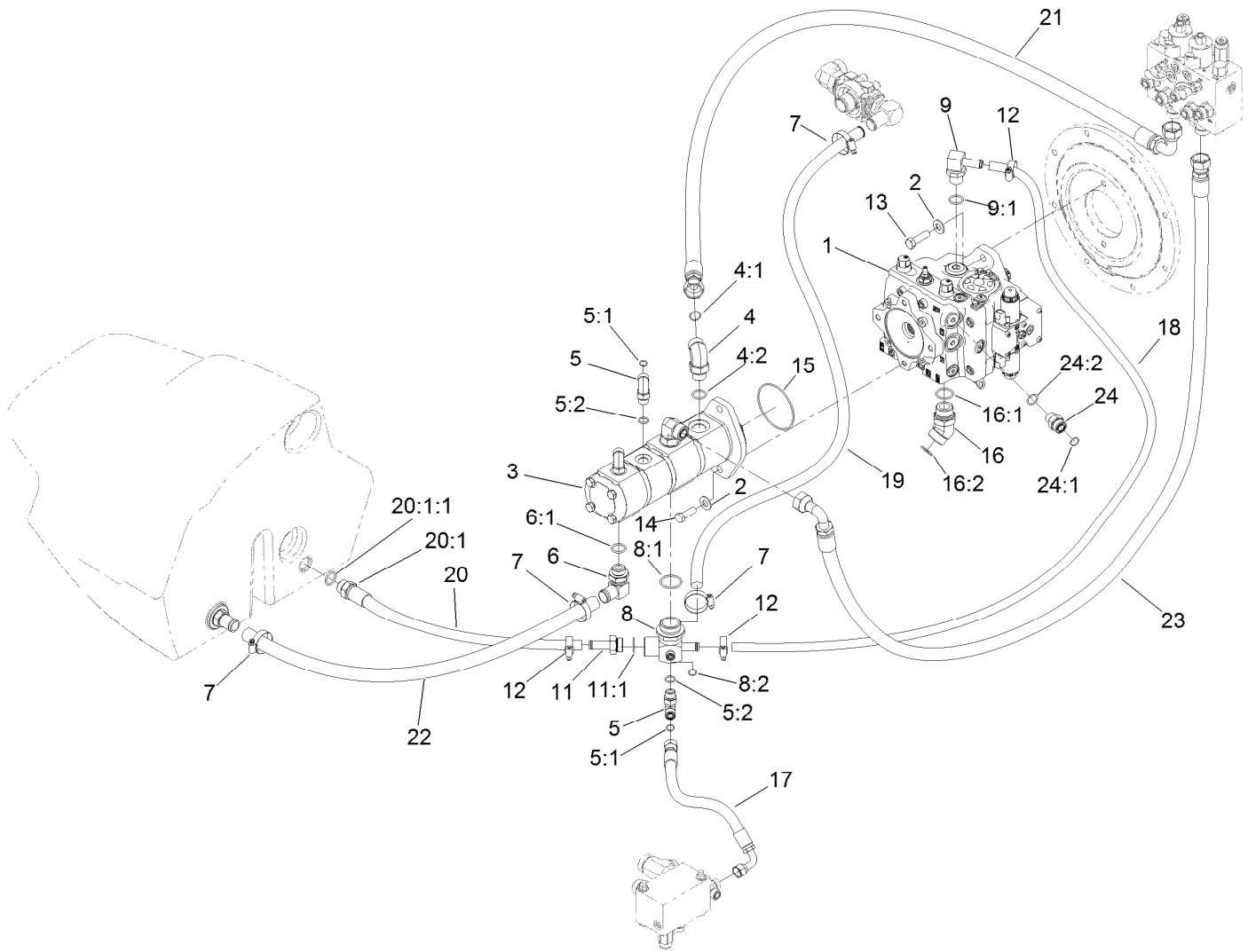
## Axle Case Assembly Rear Axle Assembly No. 110-4750

<i>Ref.</i>	<i>Part Number</i>	<i>Qty.</i>	<i>Description</i>
1	110-4751	2	Case-Axle
2	99-7535	2	Plug
3	99-7536	2	Washer-Seal
4	95-7527	2	Gear-Bevel, 17 Tooth
5	99-7532	2	Bearing-Roller, Taper
6	100-2560	2	Cover
7	106-1070	2	O-Ring
8	99-7589	2	Plug
9	99-7590	2	Washer-Seal
10	100-2562	8	Bolt
11	106-1102	2	Bolt-Stop
12	106-1103	2	Nut



## Axle Assembly Rear Axle Assembly No. 110-4750

<i>Ref.</i>	<i>Part Number</i>	<i>Qty.</i>	<i>Description</i>
1	95-7522	2	Axle
2	99-7564	2	Seal-Oil
3	95-7544	4	Clip
4	95-7523	2	Spacer
5	99-7555	2	Shim 0.3
5	99-7556	2	Shim 0.2
5	99-7557	2	Shim 0.5
6	95-7524	2	Gear-Bevel, 29 Tooth
7	99-7534	2	Bearing-Ball
8	95-7521	2	Cover-Axle
9	106-1071	2	O-Ring
10	99-7561	2	Bearing-Ball
11	99-7539	2	Clip
12	99-7596	12	Bolt
13	99-7563	10	Stud

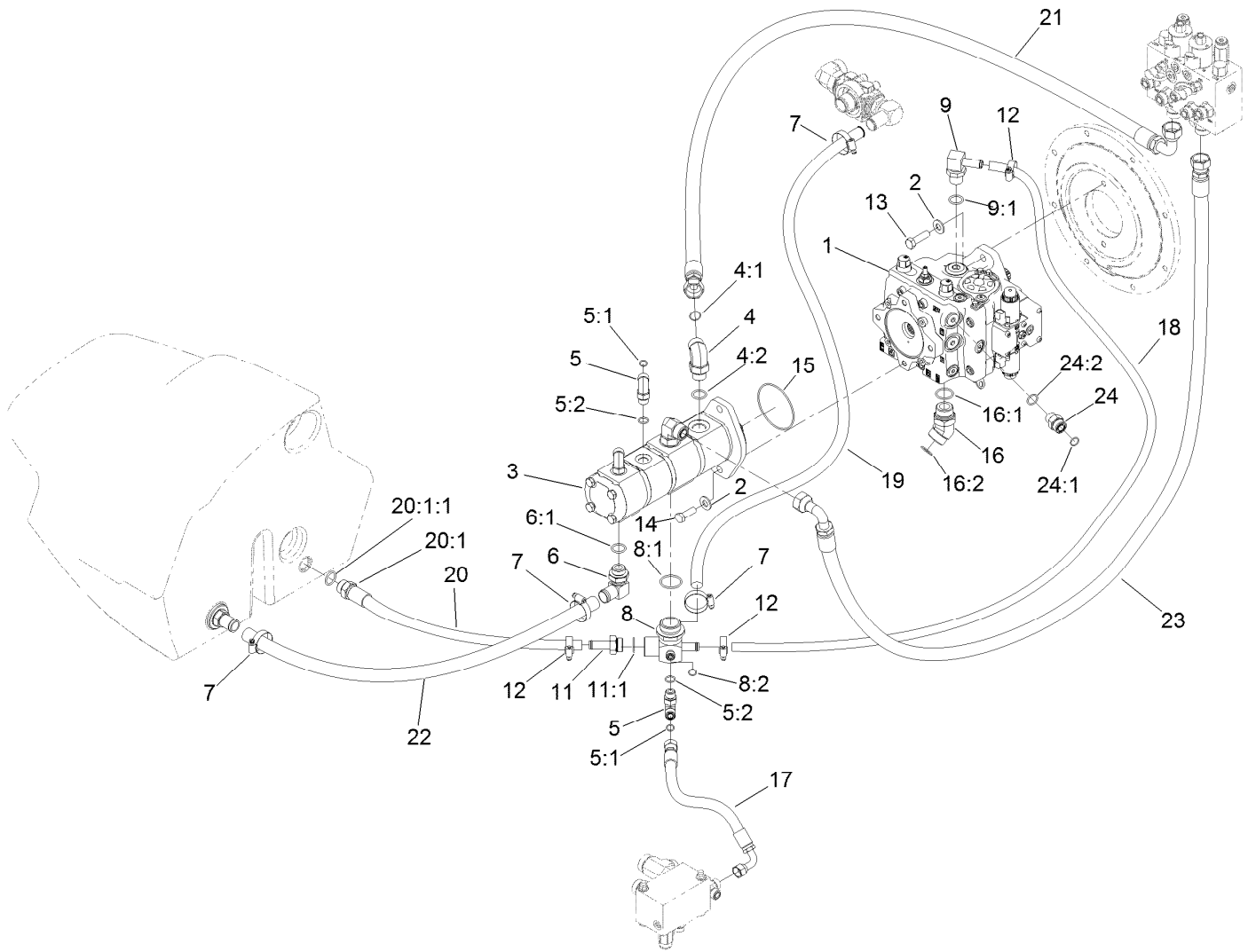


## Hydraulic System Assembly

Ref.	Part Number	Qty.	Description	Ref.	Part Number	Qty.	Description
1	120-9059	1	Piston Pump ASM	11:1	237-81	1	O-Ring
2	87-7270	4	Washer-Thrust	12	2412-129	3	Clamp-Hose
3	114-4189	1	4-Section Pump ASM	13	121-1524	2	Screw-HH
4	340-142	2	Fitting-Elbow, 90 DEG	14	121-1525	2	Screw-HH
4:1	237-58	1	O-Ring	15	107-9447	1	O-Ring
4:2	237-81	1	O-Ring	16	104-3509	2	Fitting-HYD, 45 DEG
5	340-98	3	Fitting-Elbow, 90 DEG	16:1	237-146	1	O-Ring
5:1	237-79	1	O-Ring	16:2	340-65	1	O-Ring
5:2	237-30	1	O-Ring	17	125-4616	1	Hose ASM
6	100-4202	1	Fitting-90	18	120-9050	1	Hose-HYD
6:1	237-81	1	O-Ring	19	121-3062	1	Hose-Suction
7	2412-111	4	Clamp	20	121-3079	1	Hose ASM
8	120-8016	1	Fitting-Tee	20:1		1	Fitting-Straight ●
8:1	237-101	1	O-Ring	20:1:1	237-81	1	O-Ring
8:2	237-22	1	O-Ring	21	105-3874	1	Hose ASM
9	117-3681	1	Fitting-HYD, 90 DEG	22	125-4568	1	Hose-Suction
9:1	237-81	1	O-Ring	23	115-4384	1	Hose-HYD
11	121-1526	1	Fitting-STR	24	340-7	1	Fitting-Straight

● Not serviced separately



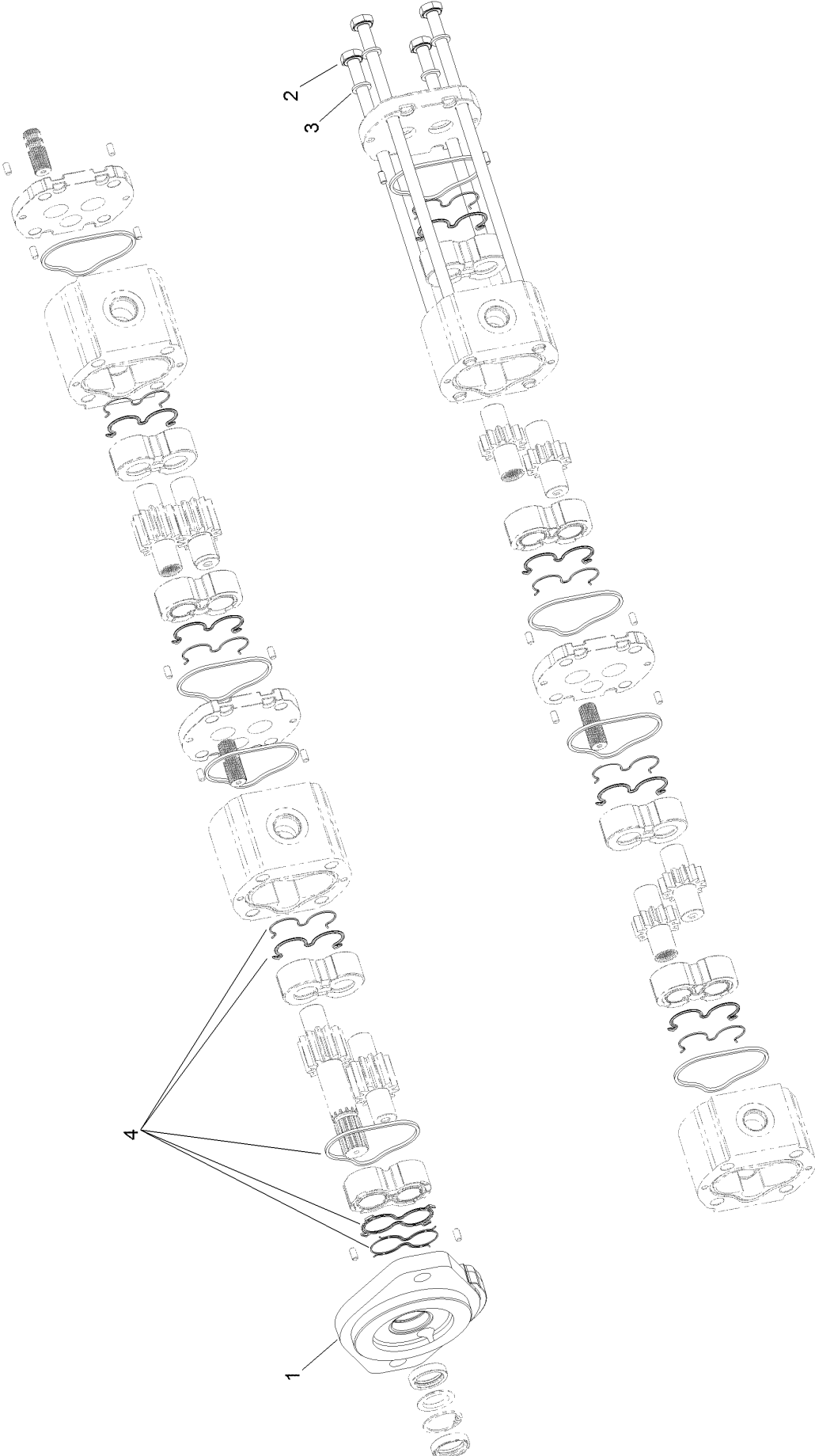


## Hydraulic System Assembly (continued)

<i>Ref.</i>	<i>Part Number</i>	<i>Qty.</i>	<i>Description</i>
24:1	237-65	1	O-Ring
24:2	237-80	1	O-Ring

● Not serviced separately

# Four Section Pump Assembly No. 114-4189

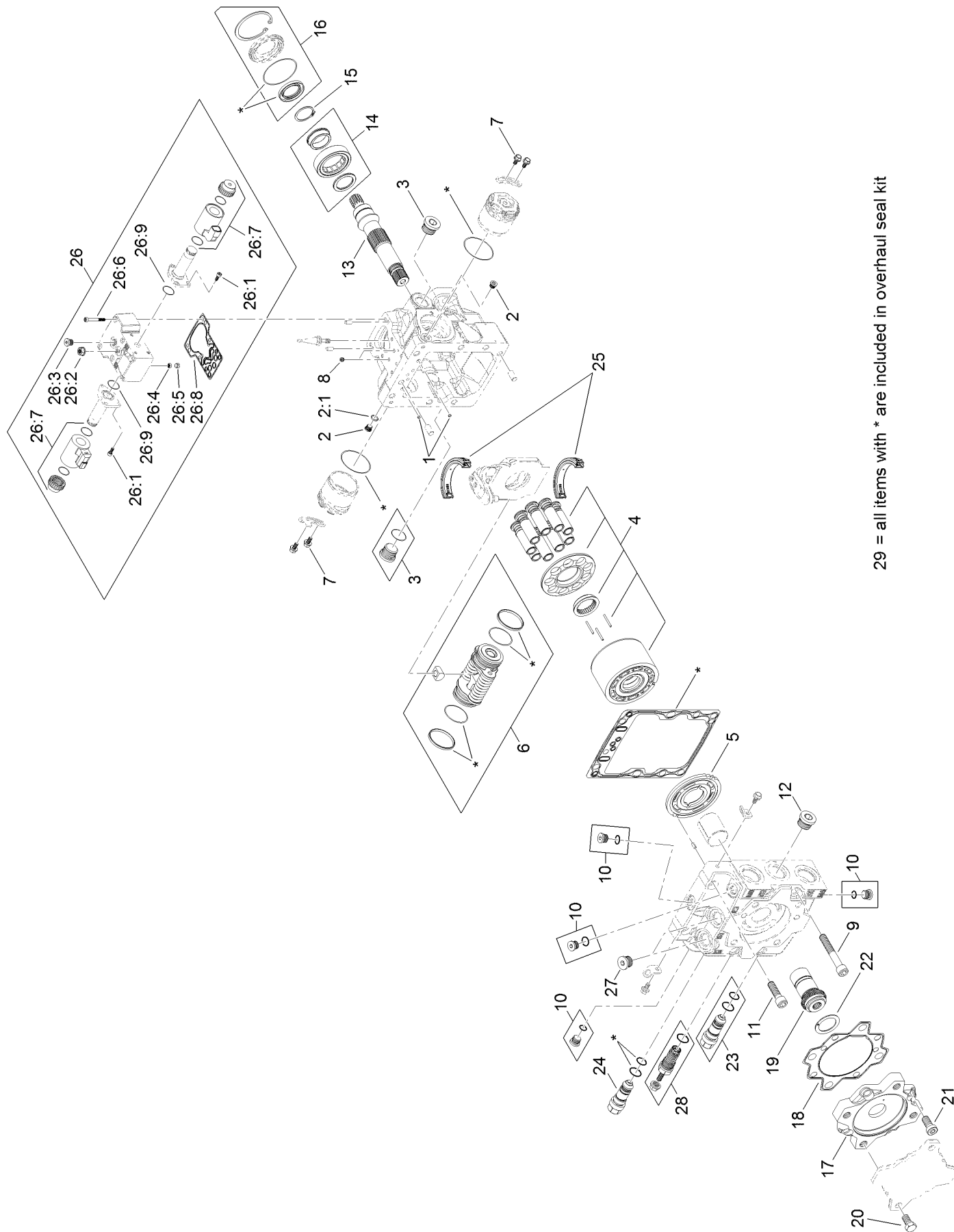


# Four Section Pump Assembly No. 114-4189 (continued)

<i>Ref.</i>	<i>Part Number</i>	<i>Qty.</i>	<i>Description</i>
1	115-3774	1	Cover-Front
2	115-4444	4	Bolt

<i>Ref.</i>	<i>Part Number</i>	<i>Qty.</i>	<i>Description</i>
3	115-9138	4	Washer
4	115-3776	1	Seal Kit

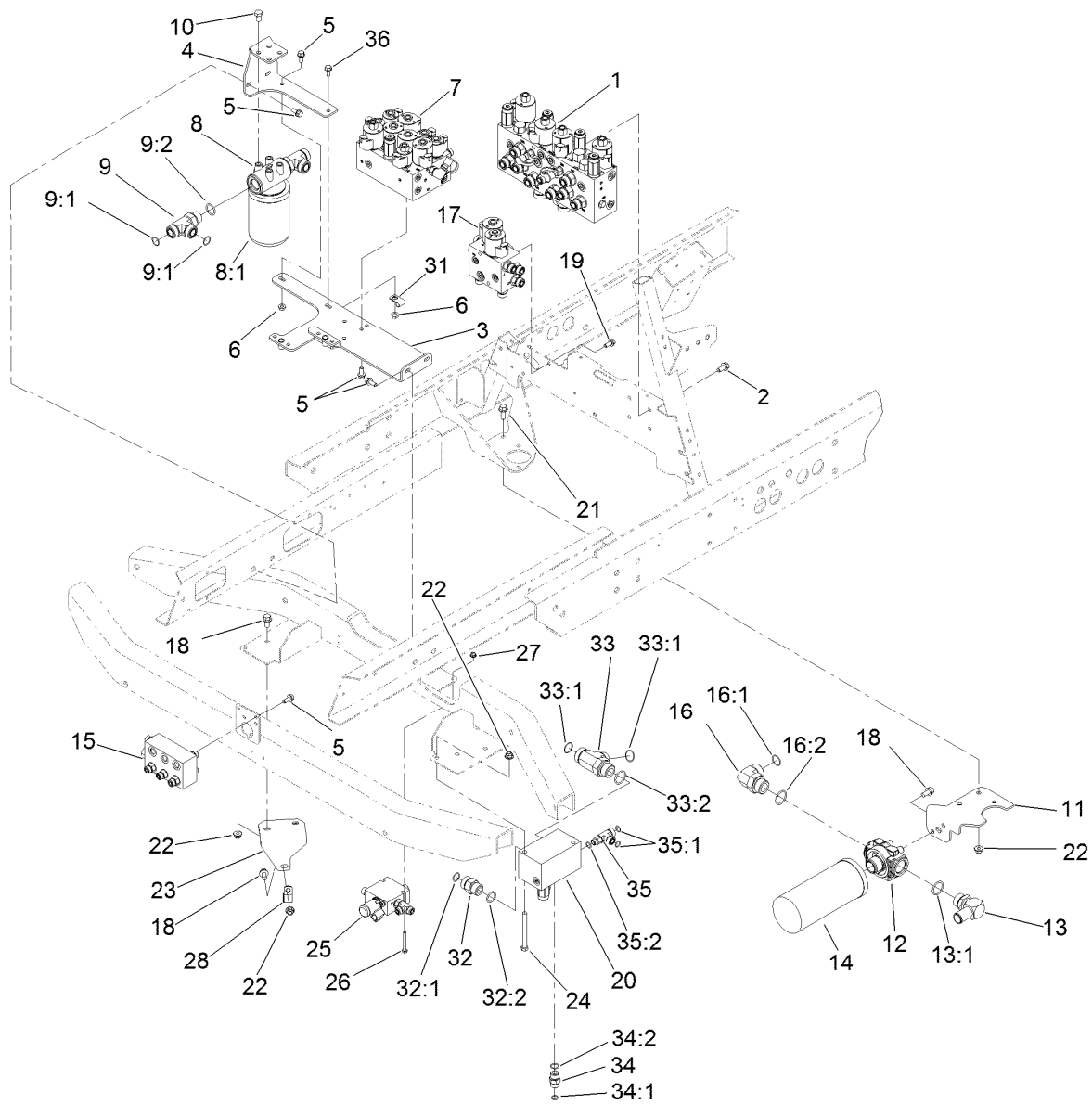
# Piston Pump Assembly No. 120-9059



29 = all items with \* are included in overhaul seal kit

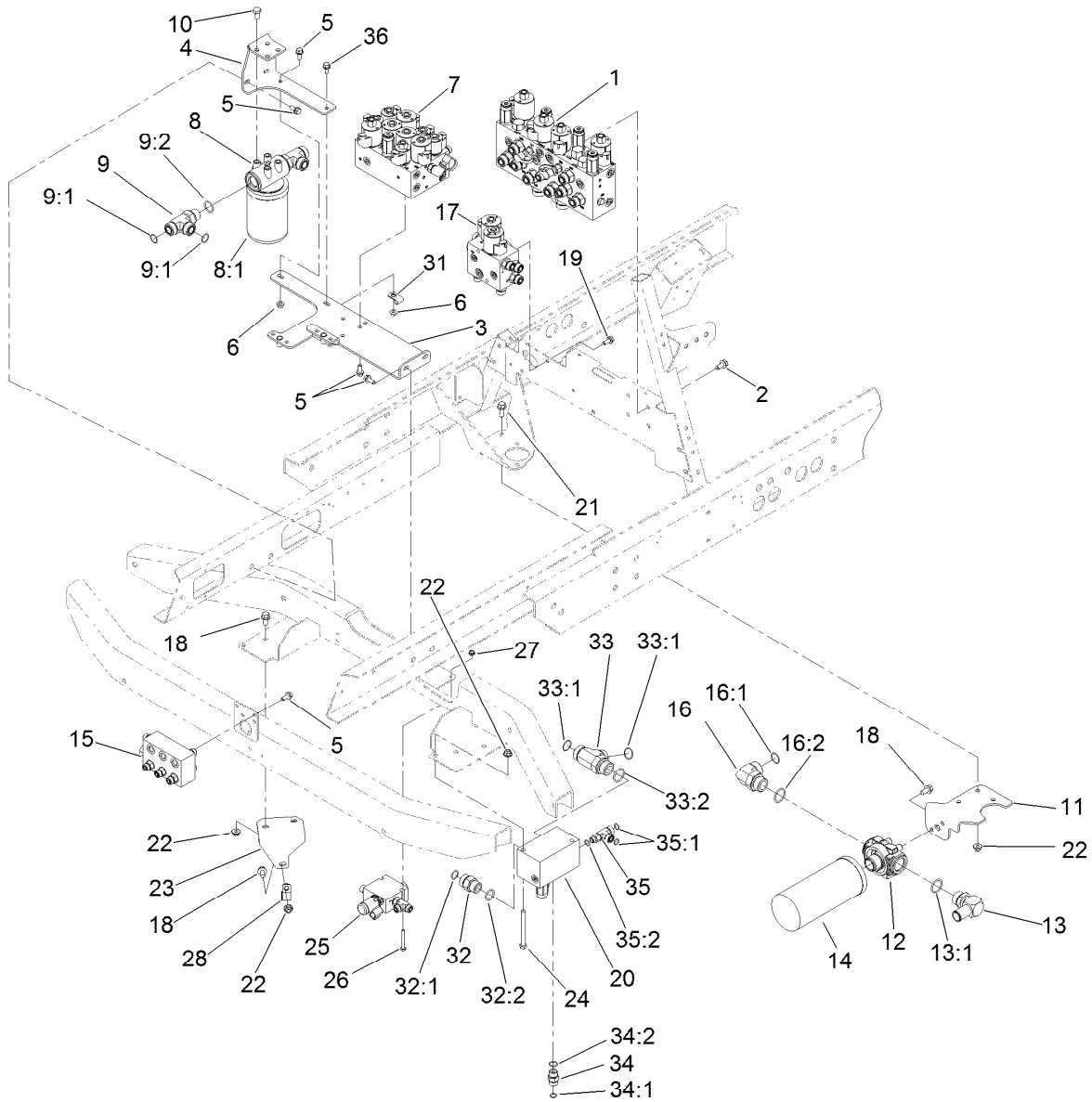
## Piston Pump Assembly No. 120-9059 (continued)

<i>Ref.</i>	<i>Part Number</i>	<i>Qty.</i>	<i>Description</i>	<i>Ref.</i>	<i>Part Number</i>	<i>Qty.</i>	<i>Description</i>
1	125-5266	2	Screen	20	125-5281	4	Screw
2	75-0170	2	Plug-Thread, Straight	21	125-5282	4	Screw
2:1	92-8777	1	O-Ring	22	125-5287	1	Plate-Thrust
3	107-4352	2	Plug	23	121-1731	1	Valve-Relief, High Pressure
4	121-1723	1	Cylinder Block Kit	24	125-5291	1	Valve-Relief, High Pressure
5	121-1724	1	Plate-Valve, CW	25	121-1732	1	Swash Plate Bearing Kit
6	121-1725	1	Servo Piston ASM	26	125-5295	1	Control Kit (12 Volt)
7	125-5270	6	Screw	26:1	125-5272	6	Screw
8	125-5276	2	Orifice (0.8)	26:2	125-5273	1	Nut-Seal
9	121-1726	4	Screw	26:3	125-5302	1	Plug
10	125-5300	4	Plug ASM	26:4	125-5266	1	Screen
11	121-1727	2	Screw	26:5	125-5269	1	Ring-Locking
12	125-5301	1	Plug	26:6	125-5274	6	Screw
13	121-1728	1	Shaft	26:7	125-5294	2	Coil Kit
14	125-5279	1	Bearing-Roller	26:8	125-5283	1	Gasket-Control
15	125-5280	1	Ring-Retaining	26:9	125-5288	2	O-Ring
16	121-1729	1	Shaft Seal Kit	27	125-5303	2	Plug ASM
17	125-5284	1	Adapter	28	125-5297	1	Charge Relief Kit
18	125-5285	1	Seal-Adapter	29	121-1733	1	Overhaul Seal Kit
19	121-1730	1	Coupling				



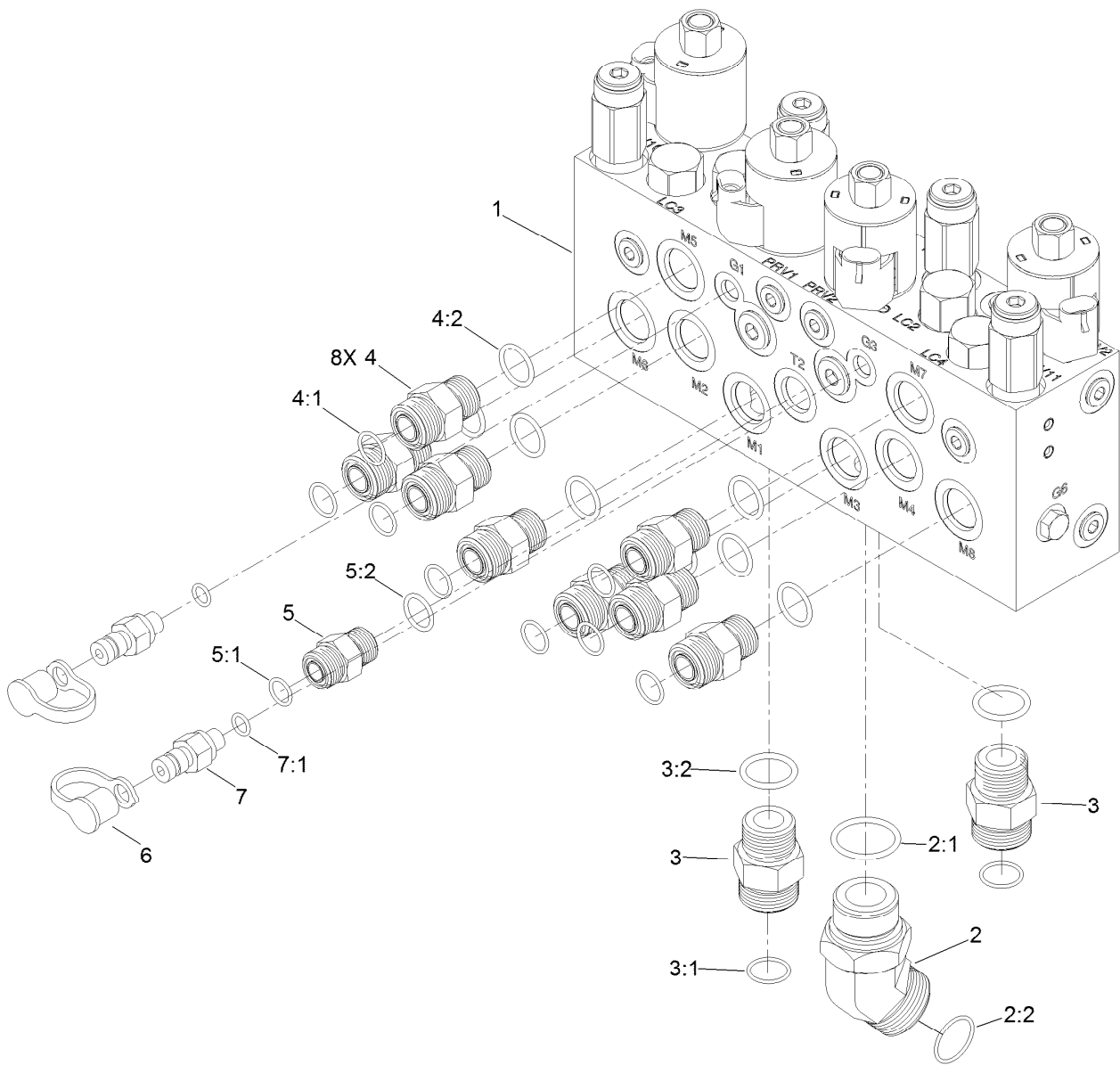
## Hydraulic Valve Mounting Assembly

Ref.	Part Number	Qty.	Description	Ref.	Part Number	Qty.	Description
1	120-8077	1	Mow Manifold ASM	16:2	340-65	1	O-Ring
2	110-1718	4	Screw-HHF	17	117-2395	1	Fan Drive Manifold ASM
3	117-2362	1	Bracket-Mount, Valve	18	3234-1	5	Screw-HHF
4	104-5492-03	1	Bracket-Mount, Filter	19	100-1668	2	Screw-HHF
5	3234-5	9	Screw-HHF	20	121-3078	1	Rear Traction Manifold ASM
6	32128-20	2	Nut-HF	21	3234-11	2	Screw-HHF
7	117-2389	1	Lift Manifold ASM	22	104-8301	7	Nut-HF, NI
8	93-2242	1	Oil Filter ASM	23	121-3089-03	1	Plate-Mount, Tube
8:1	75-1310	1	Filter-HYD	24	323-42	2	Screw-HH
9	340-148	2	Fitting-Tee	25	121-3077	1	3 Way Valve Manifold ASM
9:1	237-81	1	O-Ring	26	321-11	2	Screw-HH
9:2	237-58	2	O-Ring	27	104-7201	2	Nut-HF
10	33115-016	4	Screw-HH	28	2412-150	1	Clip-J
11	120-8022-03	1	Plate-Mount, Filter	31	56-7973	2	Clamp-Tube
12	121-1577	1	Head-Filter	32	340-9	1	Fitting-STR
13	23-8910	1	Stem-Barb-90	32:1	237-58	1	O-Ring
13:1	237-146	1	O-Ring	32:2	237-81	1	O-Ring
14	94-2621	1	Element-Filter	33	104-3795	1	Fitting-Tee
15	117-2394	1	Junction Manifold ASM	33:1	340-65	2	O-Ring
16	340-129	1	Fitting-Elbow, 90 DEG	33:2	237-146	1	O-Ring
16:1	237-146	1	O-Ring	34	340-4	1	Fitting-Straight



## Hydraulic Valve Mounting Assembly (continued)

<i>Ref.</i>	<i>Part Number</i>	<i>Qty.</i>	<i>Description</i>	<i>Ref.</i>	<i>Part Number</i>	<i>Qty.</i>	<i>Description</i>
34:1	237-30	1	O-Ring	35:1	237-30	2	O-Ring
34:2	237-79	1	O-Ring	35:2	237-42	1	O-Ring
35	110-0064	1	Fitting-Tee	36	115-1794	1	Screw-HHF



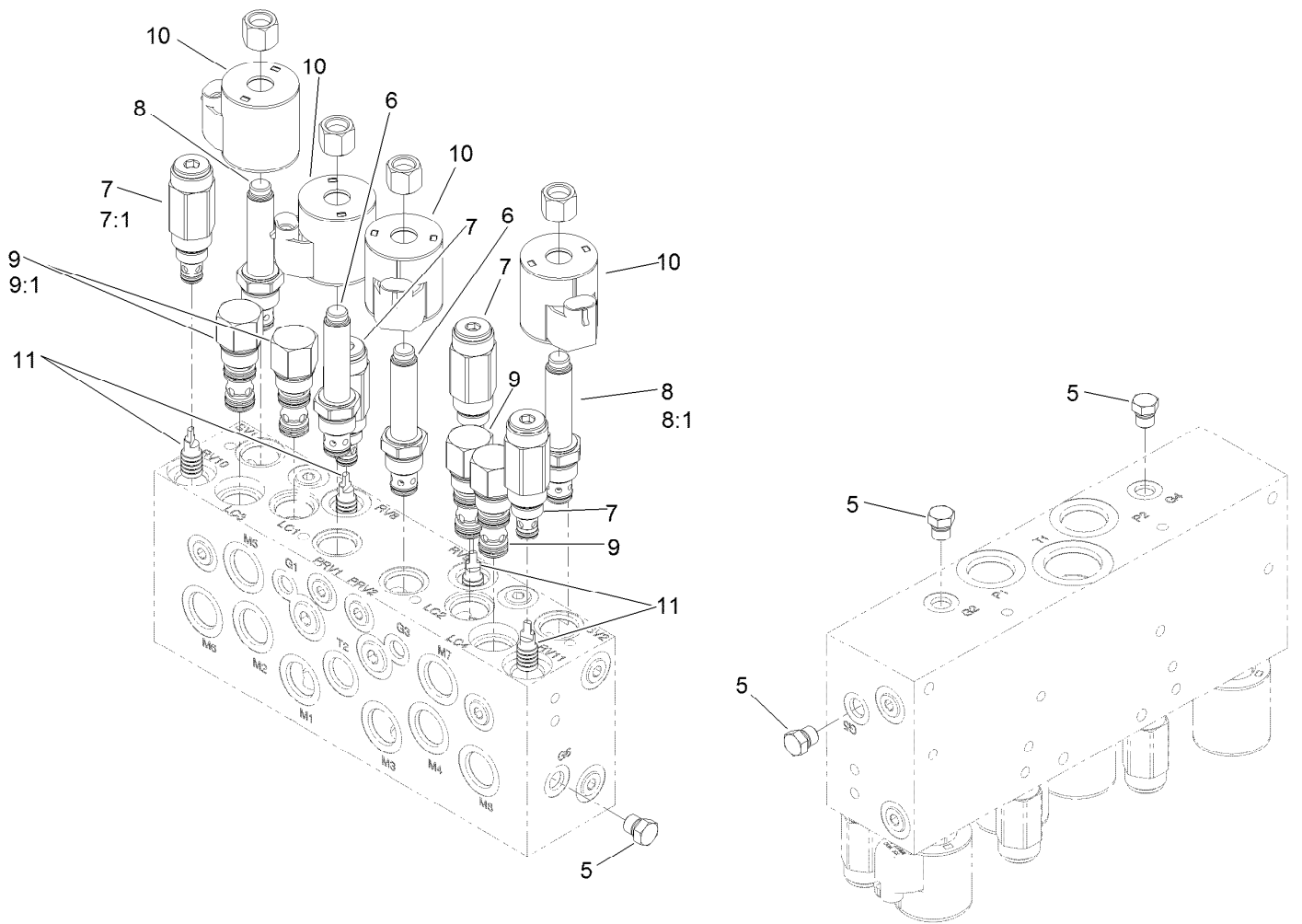
## Mow Manifold Assembly No. 120-8077

Ref.	Part Number	Qty.	Description
1		1	Manifold-Mow ●
2	104-3509	1	Fitting-HYD, 45 DEG
2:1	237-146	1	O-Ring
2:2	340-65	1	O-Ring
3	340-9	1	Fitting-STR
3:1	237-58	1	O-Ring
3:2	237-81	1	O-Ring
4	340-7	8	Fitting-Straight

Ref.	Part Number	Qty.	Description
4:1	237-65	1	O-Ring
4:2	237-80	1	O-Ring
5	340-4	1	Fitting-Straight
5:1	237-30	1	O-Ring
5:2	237-79	1	O-Ring
6	354-79	2	Cap-Dust
7	354-77	2	Fitting-Quick
7:1	237-78	1	O-Ring

● Not serviced separately

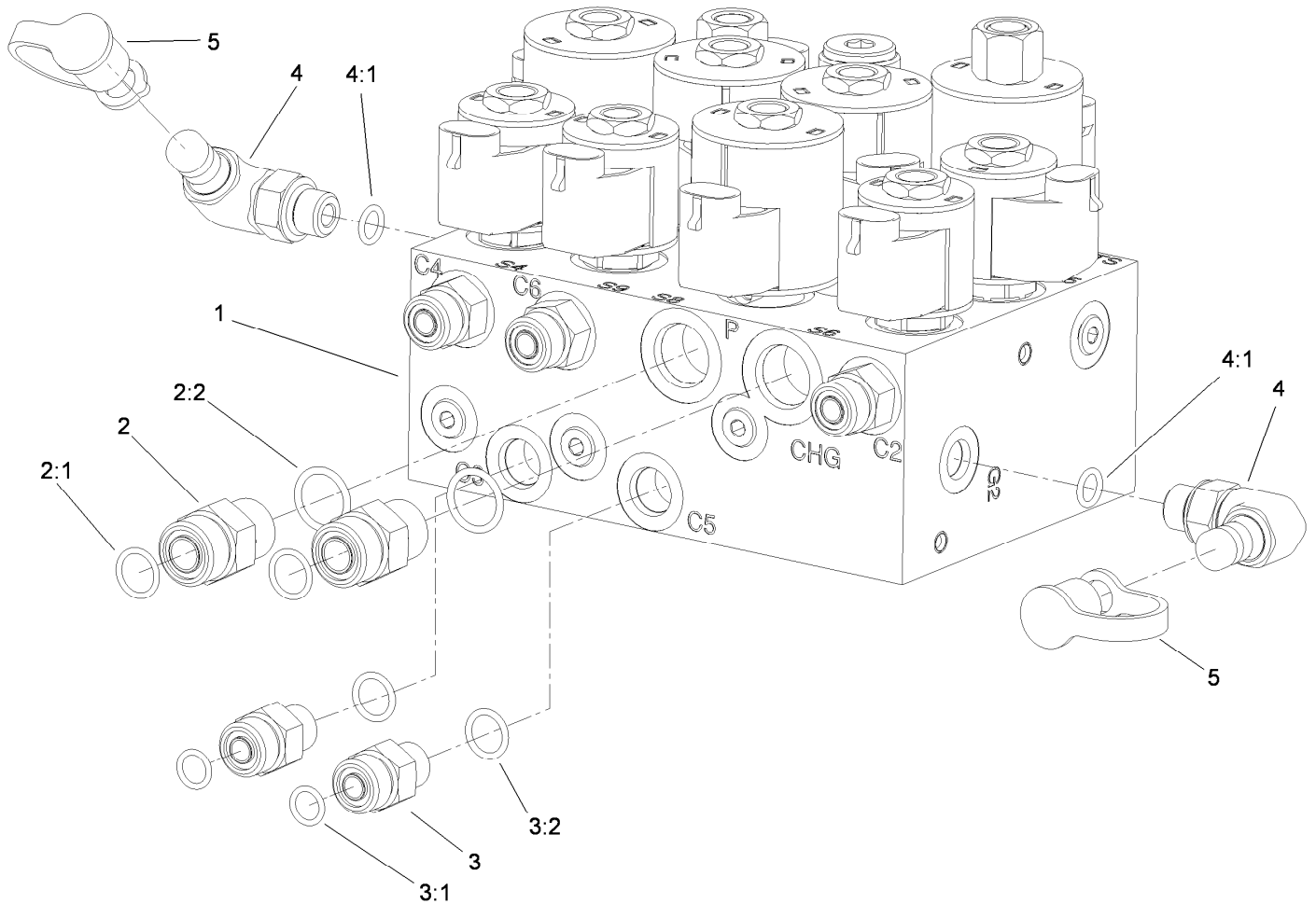




## Mow Manifold Assembly

Ref.	Part Number	Qty.	Description
5	117-0115	4	Plug
6	110-8799	2	Valve-Relief, Proportional
7	112-5259	4	Valve-Relief
7:1	105-9156	1	Seal Kit
8	105-9158	2	Valve-Solenoid, N.O.
8:1	105-9159	1	Seal Kit ●
9	105-9153	4	Element-Logic, Vented
9:1	119-2159	1	Seal Kit
10	110-6344	4	Coil-12V, DC
11	105-9157	4	Piston-Pilot

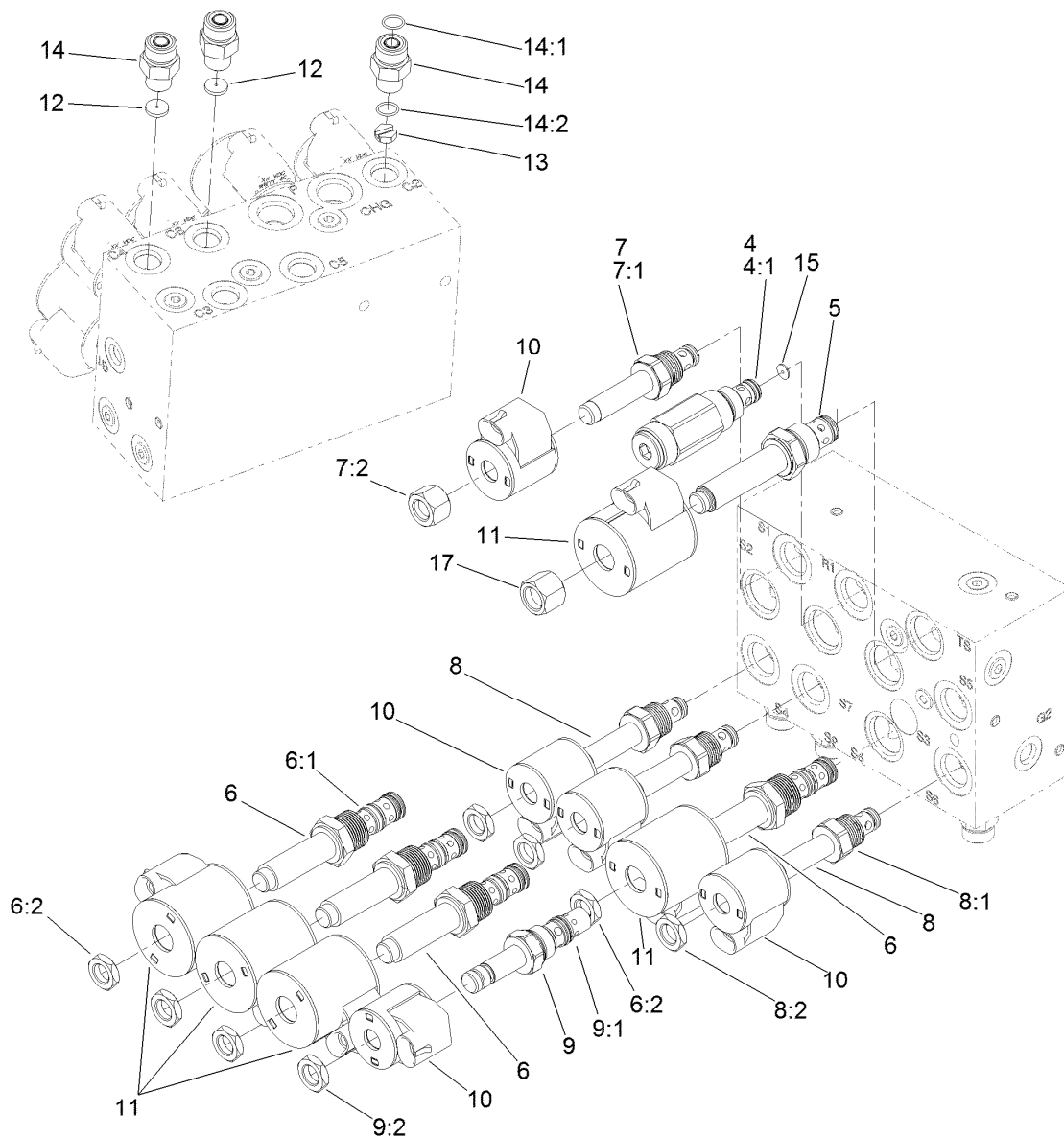
● Not illustrated



## Lift Manifold Assembly No. 117-2389

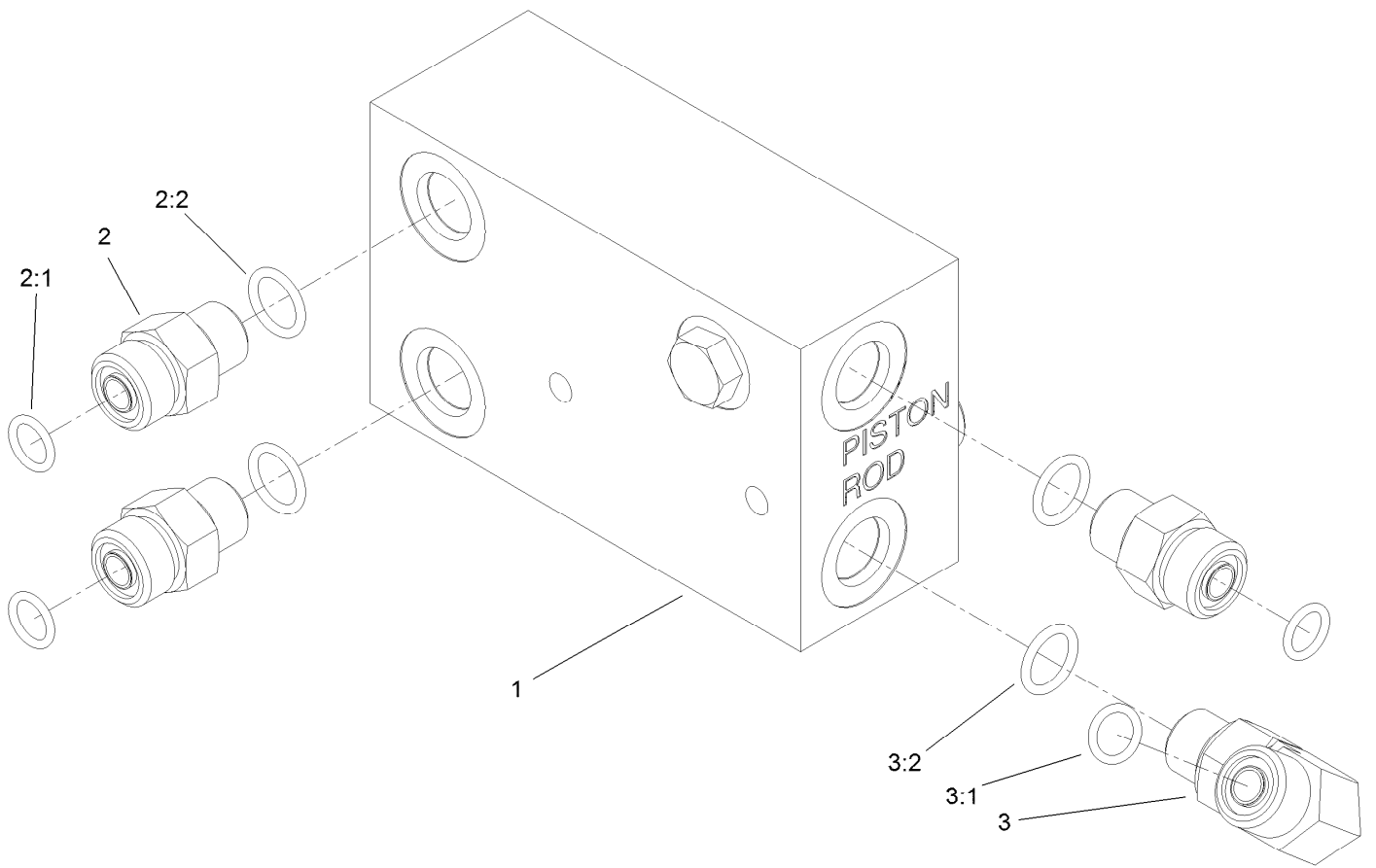
Ref.	Part Number	Qty.	Description
1		1	Manifold-Lift ●
2	340-4	2	Fitting-Straight
2:1	237-30	1	O-Ring
2:2	237-79	1	O-Ring
3	340-2	2	Fitting-Straight
3:1	237-22	1	O-Ring
3:2	237-42	1	O-Ring
4	115-9147	2	Fitting-Elbow, 90 DEG
4:1	237-78	1	O-Ring
5	354-79	2	Cap-Dust

● Not serviced separately



## Lift Manifold Assembly

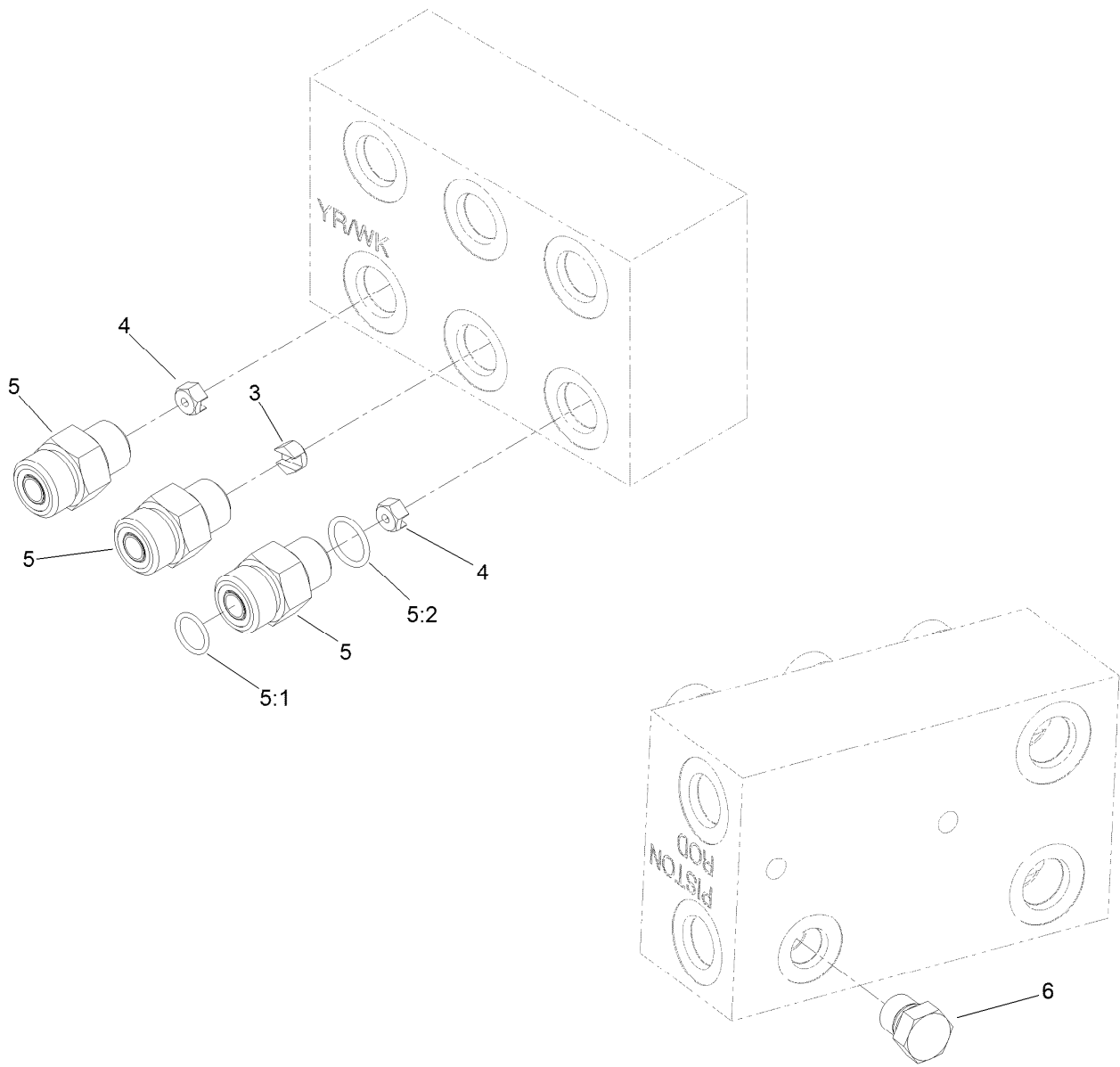
<i>Ref.</i>	<i>Part Number</i>	<i>Qty.</i>	<i>Description</i>	<i>Ref.</i>	<i>Part Number</i>	<i>Qty.</i>	<i>Description</i>
4	127-6371	1	Valve-Relief	9	115-5405	1	Solenoid Valve ASM
4:1	105-9156	1	Seal Kit	9:1	115-5413	1	Seal Kit
5	117-2399	1	Relief Valve-Proportional	9:2	110-2634	1	Nut-Coil
6	115-5400	4	Solenoid Valve ASM	10	110-0497	5	Coil-Solenoid
6:1	107-7813	1	Seal Kit	11	110-6344	5	Coil-12V, DC
6:2	110-2634	1	Nut-Coil	12	117-4757	2	Orifice-Disk, .063
7	107-7517	1	Valve-Solenoid	13	117-4756	1	Orifice-Flow Control, .080
7:1	105-9156	1	Seal Kit	14	340-2	3	Fitting-Straight
7:2	107-7812	1	Nut-Solenoid	14:1	237-22	1	O-Ring
8	112-9206	3	Solenoid Valve ASM	14:2	237-42	1	O-Ring
8:1	105-9156	1	Seal Kit	15	127-6372	1	Orifice Disc,.081
8:2	110-2634	1	Nut-Coil	17	110-2635	1	Nut-Coil



## Junction Manifold Assembly No. 117-2394

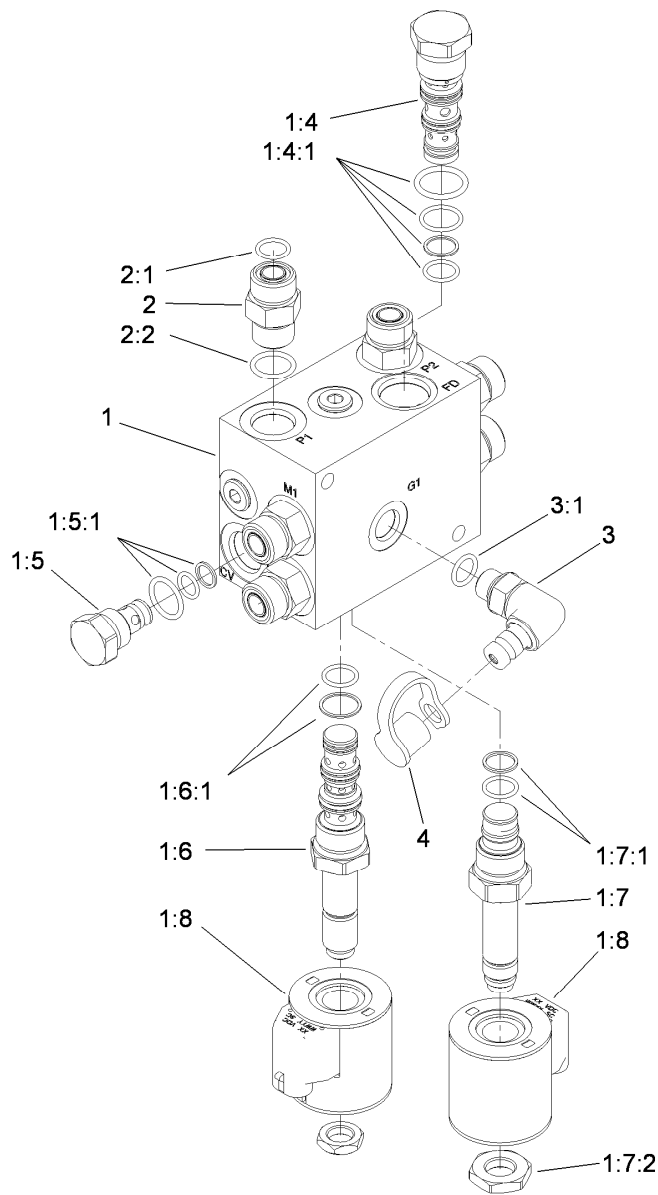
<i>Ref.</i>	<i>Part Number</i>	<i>Qty.</i>	<i>Description</i>
1		1	Manifold-Junction ●
2	340-2	3	Fitting-Straight
2:1	237-22	1	O-Ring
2:2	237-42	1	O-Ring
3	340-77	1	Fitting-Elbow, 90 DEG
3:1	237-22	1	O-Ring
3:2	237-42	1	O-Ring

● Not serviced separately



## Junction Manifold Assembly

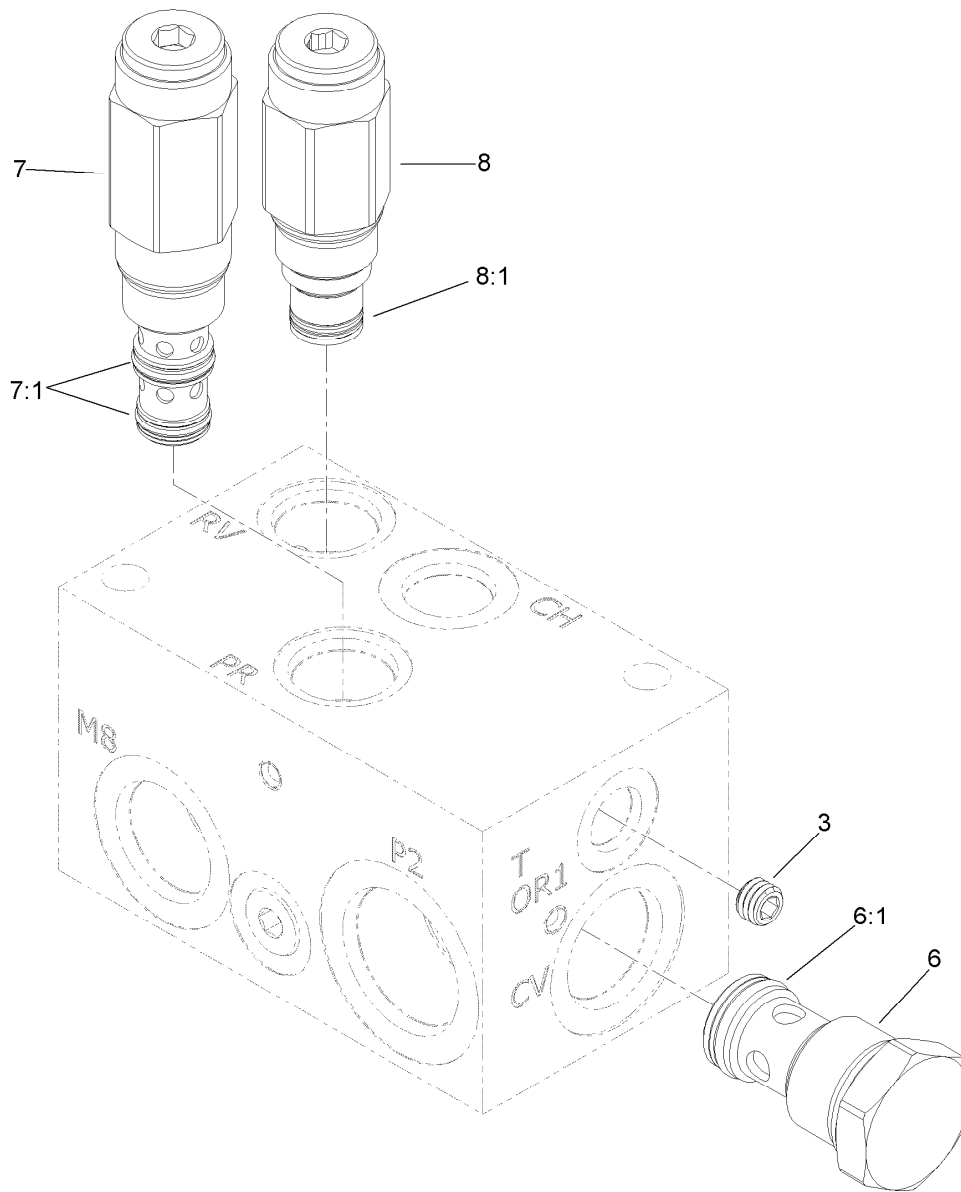
<i>Ref.</i>	<i>Part Number</i>	<i>Qty.</i>	<i>Description</i>
3	119-2010	1	Orifice-Control, Flow (0.055)
4	119-2009	2	Orifice-Flow Control (0.030)
5	340-2	3	Fitting-Straight
5:1	237-22	1	O-Ring
5:2	237-42	1	O-Ring
6	117-0115	1	Plug



## Fan Drive Manifold Assembly No. 117-2395

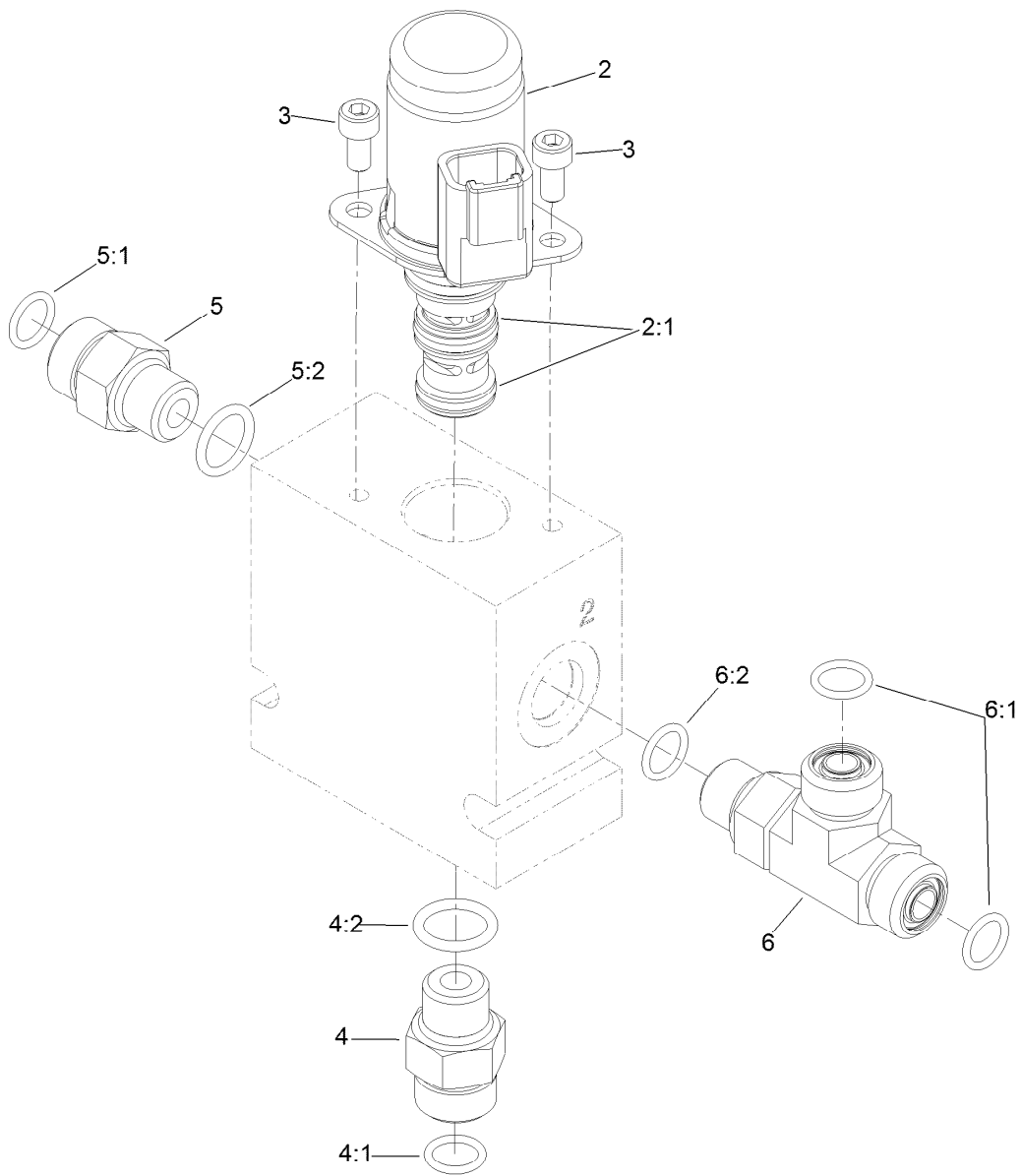
Ref.	Part Number	Qty.	Description	Ref.	Part Number	Qty.	Description
1		1	Fan Drive Manifold ASM ●	1:7:1	110-6316	1	Seal Kit
1:4	115-3024	1	Valve-Flow Divider/Combiner	1:7:2	119-7715	1	Nut-Coil
1:4:1	115-3025	1	Seal Kit	1:8	110-6344	2	Coil-12V, DC
1:5	105-9321	1	Check Valve ASM	2	340-4	7	Fitting-Straight
1:5:1	105-9156	1	Seal Kit	2:1	237-30	1	O-Ring
1:6	115-3023	1	Solenoid Valve ASM	2:2	237-79	1	O-Ring
1:6:1	110-8908	1	Spool Valve Seal Kit	3	115-9148	1	Fitting-Elbow-90
1:7	115-3022	1	Relief-Proportional	3:1	237-42	1	O-Ring
				4	354-79	1	Cap-Dust

● Not serviced separately



## Rear Traction Manifold Assembly No. 121-3078

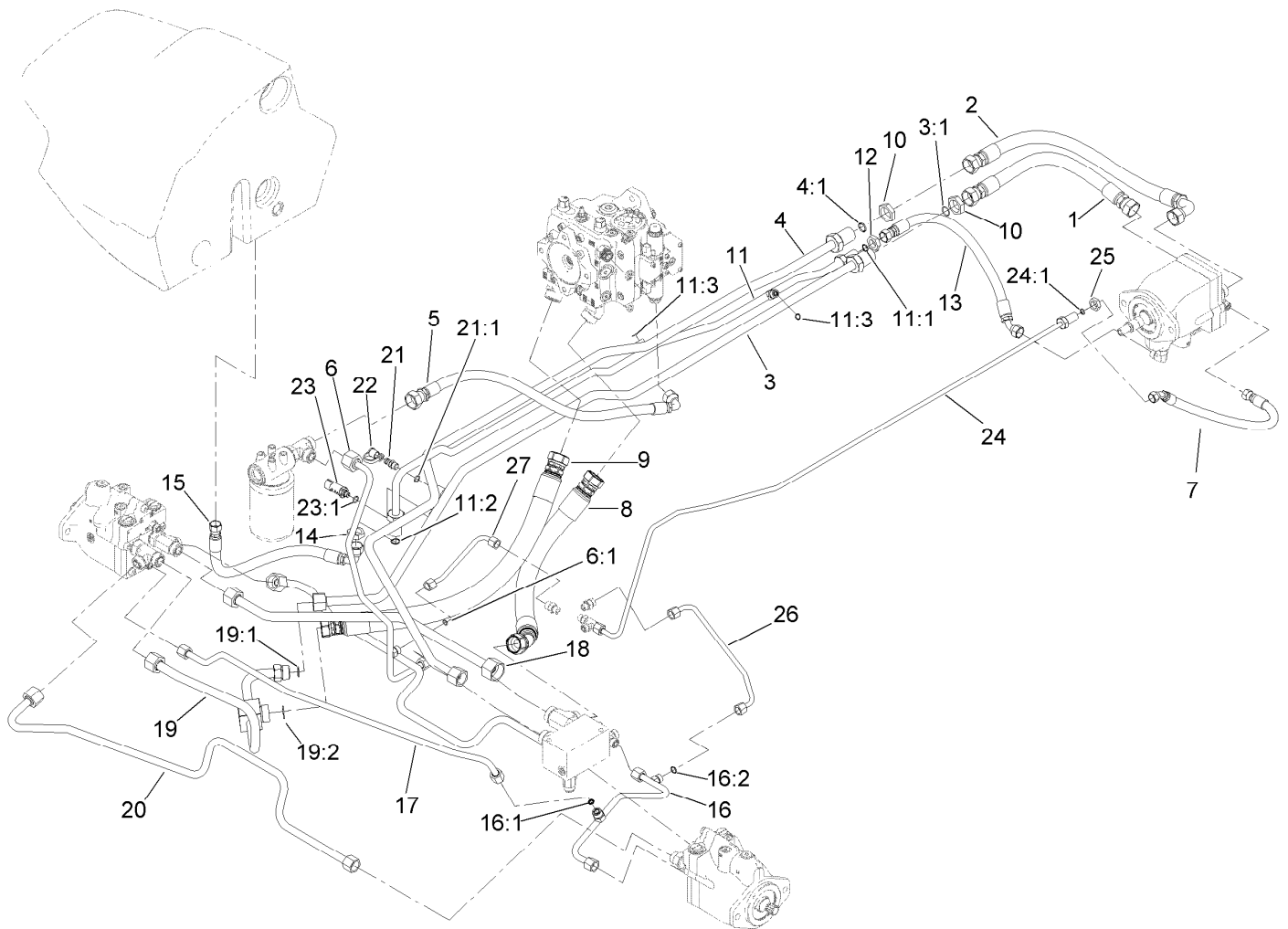
<i>Ref.</i>	<i>Part Number</i>	<i>Qty.</i>	<i>Description</i>
3	110-0495	1	Plug-Orifice (0.050 Inch)
6	125-4328	1	Valve-Check
6:1	125-4336	1	Seal Kit
7	125-7567	1	Valve-Pressure Reducing
7:1	125-4334	1	Seal Kit
8	125-7566	1	Valve-Relief
8:1	110-6316	1	Seal Kit



## 3 Way Manifold Valve Assembly No. 121-3077

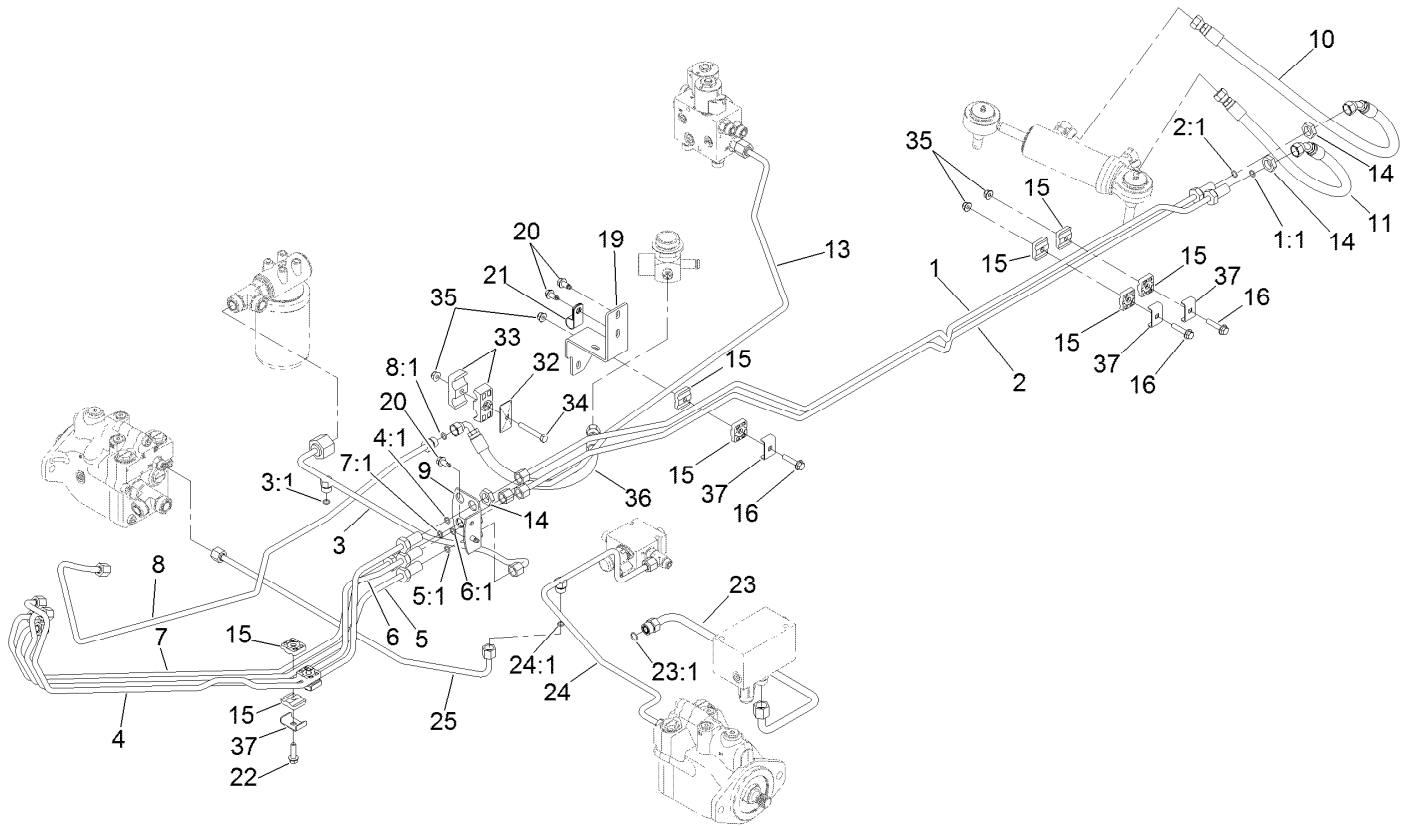
<i>Ref.</i>	<i>Part Number</i>	<i>Qty.</i>	<i>Description</i>
2	125-7554	1	Valve-Solenoid
2:1	125-7561	1	Seal Kit
3	115-8733	2	Screw-HSH
4	340-2	1	Fitting-Straight
4:1	237-22	1	O-Ring
4:2	237-42	1	O-Ring
5	92-9258	1	Adapter-Check
5:1	237-22	1	O-Ring
5:2	237-42	1	O-Ring
6	340-86	1	Fitting-Tee
6:1	237-22	2	O-Ring
6:2	237-42	1	O-Ring





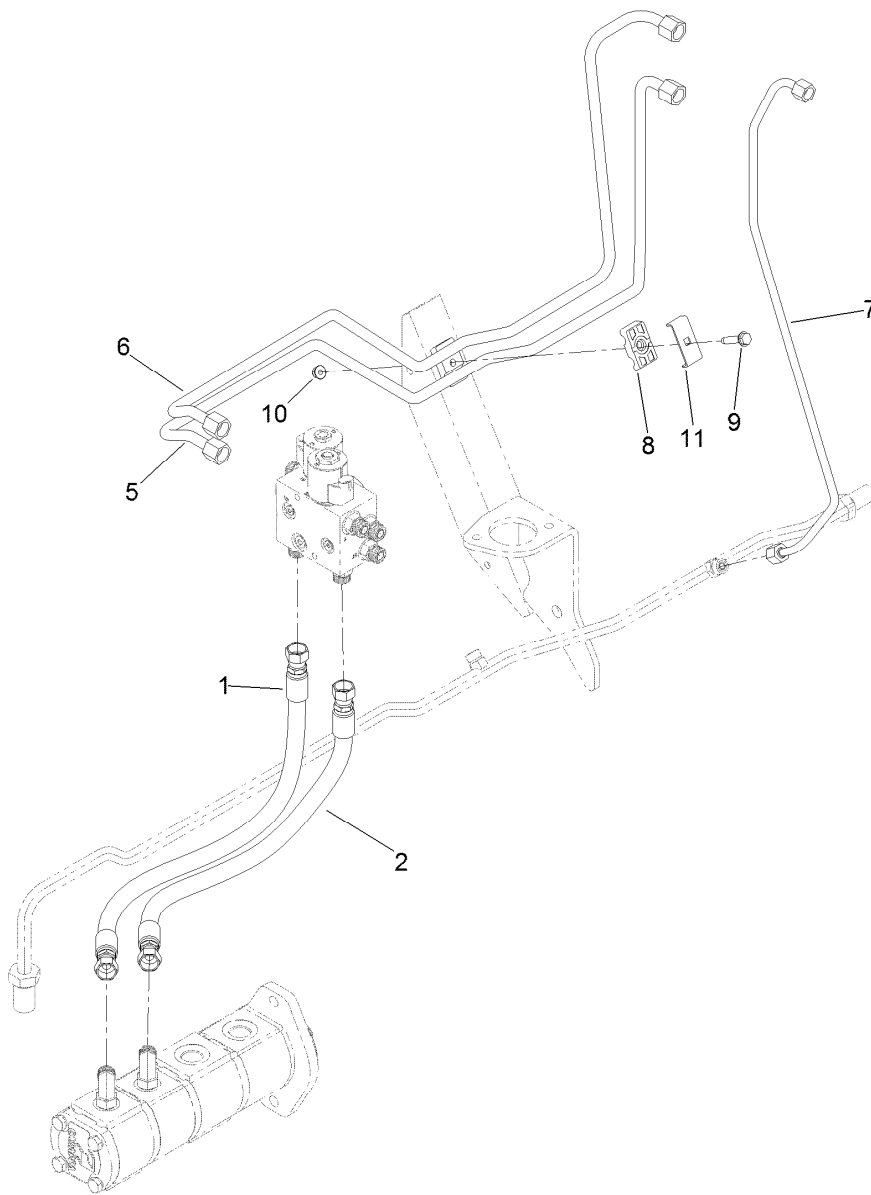
## Hydraulic Traction Circuit Assembly

Ref.	Part Number	Qty.	Description	Ref.	Part Number	Qty.	Description
1	120-8053	1	Hose ASM	15	120-8097	1	Hose ASM
2	104-3789	1	Filter Hose ASM	16	121-3055	1	Tube ASM
3	120-8079	1	Tube ASM	16:1	237-30	1	O-Ring
3:1	237-58	1	O-Ring	16:2	237-22	1	O-Ring
4	120-8080	1	Tube ASM	17	121-3056	1	Tube ASM
4:1	237-58	1	O-Ring	18	121-3123	1	Tube ASM
5	121-3094	1	Hose ASM	19	125-4569	1	Tube ASM
6	120-8047	1	Tube ASM	19:1	237-58	1	O-Ring
6:1	237-22	1	O-Ring	19:2	340-65	1	O-Ring
7	92-7595	1	Hose-HYD	20	121-3054	2	Tube ASM
8	120-8098	1	Hose ASM	21	59-7410	1	Fitting-Diagnostic
9	125-4571	1	Hose ASM	21:1	237-42	1	O-Ring
10	340-126	2	Nut-Bulkhead	22	354-79	1	Cap-Dust
11	120-8025	1	Tube ASM	23	119-0011	1	Pressure Transducer ASM
11:1	237-30	1	O-Ring	23:1	237-78	1	O-Ring
11:2	237-65	1	O-Ring	24	120-8052	1	Tube ASM
11:3	237-22	2	O-Ring	24:1	237-22	1	O-Ring
12	340-127	1	Nut-Bulkhead	25	340-70	1	Nut-Lock
13	92-2406	1	Hose-HYD	26	125-4563	1	Tube ASM
14	340-74	1	Nut-Lock, Bulkhead	27	125-4566	1	Tube ASM



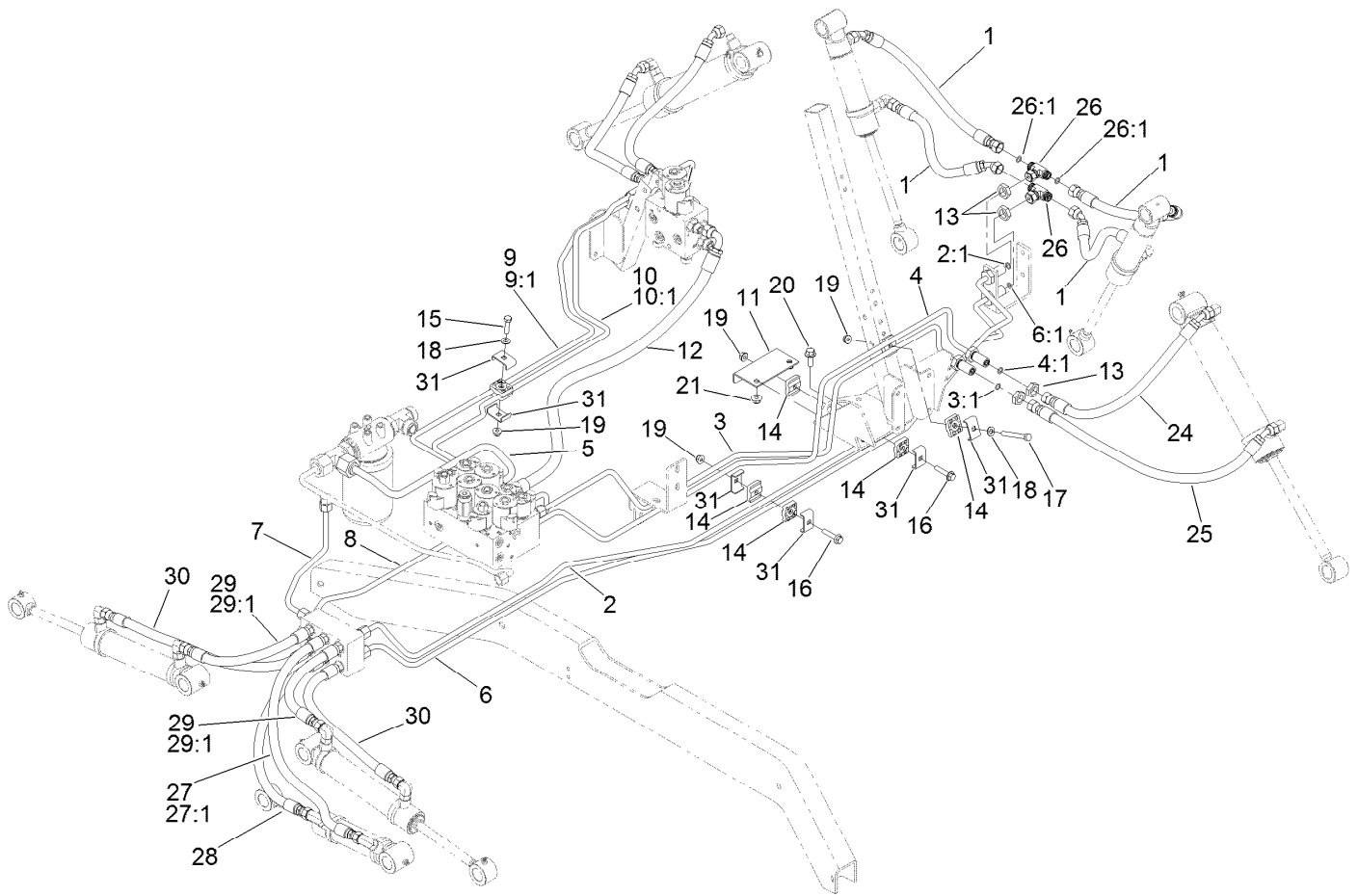
## Steering Hydraulic Assembly

<i>Ref.</i>	<i>Part Number</i>	<i>Qty.</i>	<i>Description</i>	<i>Ref.</i>	<i>Part Number</i>	<i>Qty.</i>	<i>Description</i>
1	120-8056	1	Tube ASM	13	120-8057	1	Tube ASM
1:1	237-22	1	O-Ring	14	340-70	6	Nut-Lock
2	120-8055	1	Tube ASM	15	56-7973	10	Clamp-Tube
2:1	237-22	1	O-Ring	16	115-1794	3	Screw-HHF
3	115-4412	1	Tube ASM	19	105-3993-03	1	Bracket-Support, Tube
3:1	237-22	1	O-Ring	20	32104-32	4	Screw-HWH
4	115-4408	1	Tube ASM	21	2412-81	1	Clamp-R
4:1	237-22	1	O-Ring	22	119-4036	2	Screw-HHF
5	115-4406	1	Tube ASM	23	125-4570	1	Tube ASM
5:1	237-22	1	O-Ring	23:1	237-30	1	O-Ring
6	115-4409	1	Tube ASM	24	121-3064	1	Tube ASM
6:1	237-22	1	O-Ring	24:1	237-22	1	O-Ring
7	115-4405	1	Tube ASM	25	121-3063	1	Tube ASM
7:1	237-22	1	O-Ring	32	69-9761	1	Plate-Cover
8	125-4581	1	Tube ASM	33	94-8105	2	Clamp-Tube
8:1	237-22	1	O-Ring	34	322-11	1	Screw-HH
9	92-7606-03	1	Bracket-Bulkhead	35	104-8300	4	Nut-HF, NI
10	125-4560	1	Hose ASM	36	92-5694	1	Hose-Hydraulic
11	92-7539	1	Hose-HYD	37	119-1418	5	Plate-Clamp, Short



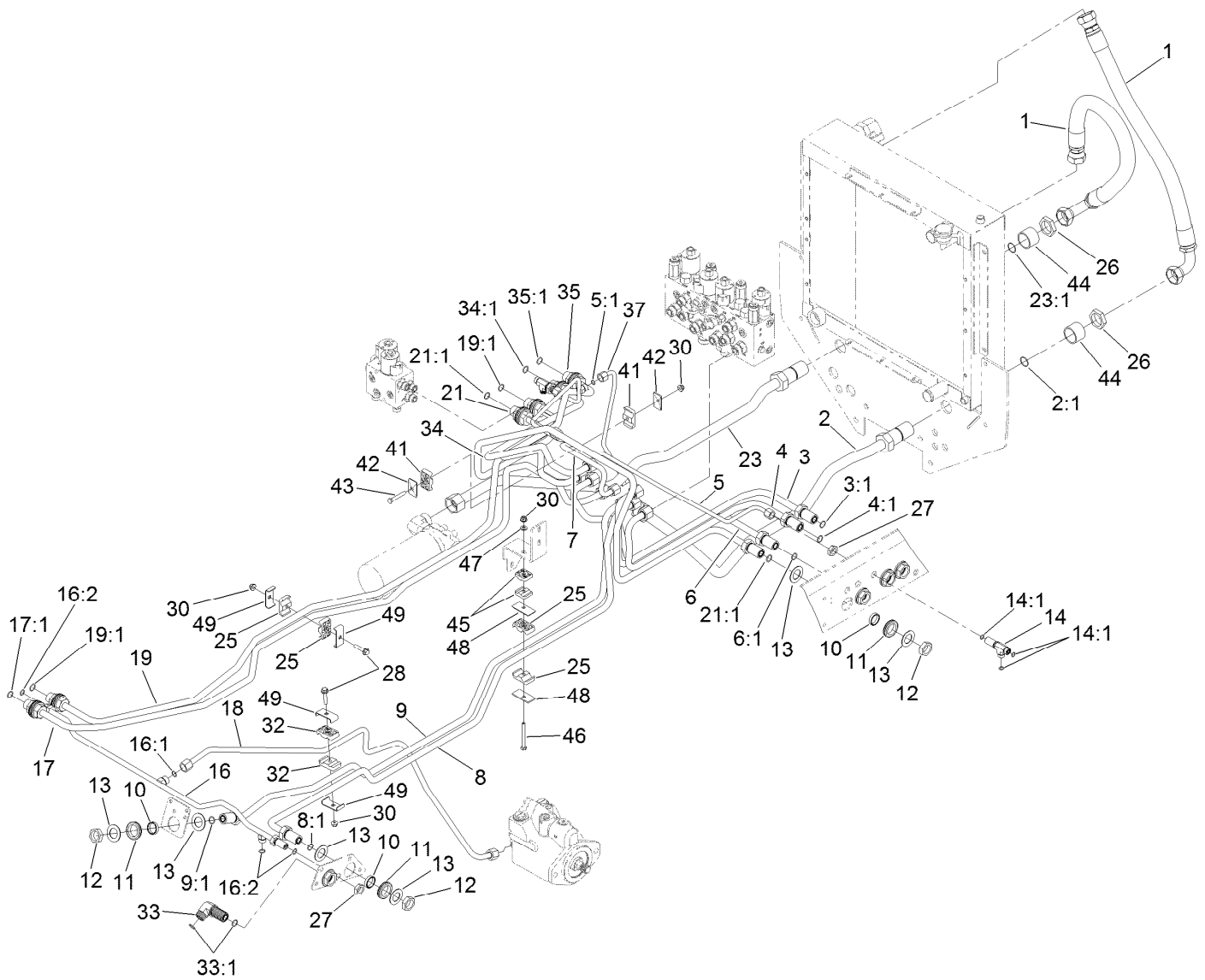
## Hydraulic Traction Circuit Assembly

<i>Ref.</i>	<i>Part Number</i>	<i>Qty.</i>	<i>Description</i>
1	125-4558	1	Hose ASM
2	95-8829	1	Hose ASM
5	125-4601	1	Tube ASM
6	125-4599	1	Tube ASM
7	125-4602	1	Tube ASM
8	56-7976	2	Clamp-Tube
9	32144-57	1	Screw
10	104-8300	1	Nut-HF, NI
11	119-1419	1	Plate-Clamp



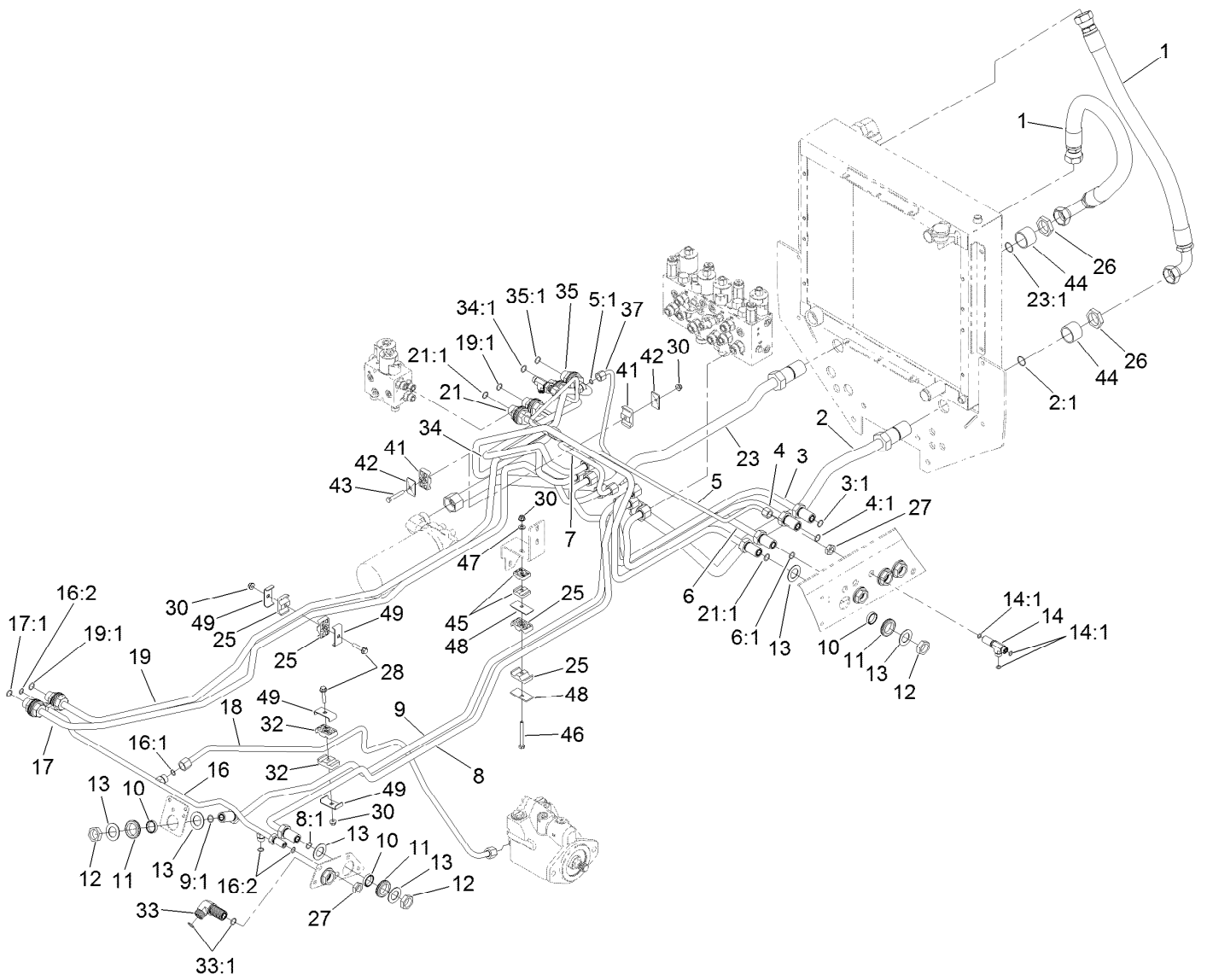
## Hydraulic Lift Circuit Assembly

Ref.	Part Number	Qty.	Description	Ref.	Part Number	Qty.	Description
1	105-9238	4	Hose-HYD	14	56-7973	10	Clamp-Tube
2	121-3103	1	Tube ASM	15	322-6	1	Screw-HH
2:1	237-22	1	O-Ring	16	115-1794	2	Screw-HHF
3	114-8140	1	Tube ASM	17	322-13	2	Screw-HH
3:1	237-22	1	O-Ring	18	3256-23	3	Washer-Plain
4	114-8141	1	Tube ASM	19	104-8300	5	Nut-HF, NI
4:1	237-22	1	O-Ring	20	3234-11	2	Screw-HHF
5	114-8143	1	Tube-HYD	21	104-8301	2	Nut-HF, NI
6	121-3104	1	Tube ASM	24	105-3918	2	Hose-HYD
6:1	237-22	1	O-Ring	25	105-3919	2	Hose-HYD
7	115-9121	1	Tube-HYD	26	340-166	2	Fitting-Tee
8	114-8142	1	Tube-HYD	26:1	237-22	2	O-Ring
9	114-8138	1	Tube ASM	27	104-5511	1	Hose -HYD
9:1	237-22	1	O-Ring	27:1	237-42	1	O-Ring
10	114-8139	1	Tube ASM	28	100-5629	1	Hose ASM
10:1	237-22	1	O-Ring	29	104-5512	2	Hose-HYD
11	105-3990-03	1	Bracket-Support, Tube	29:1	237-42	1	O-Ring
12	131-7758	1	Hose ASM	30	99-3579	2	Hose-HYD
13	340-70	6	Nut-Lock	31	119-1418	7	Plate-Clamp, Short



## Hydraulic Mow Circuit Assembly

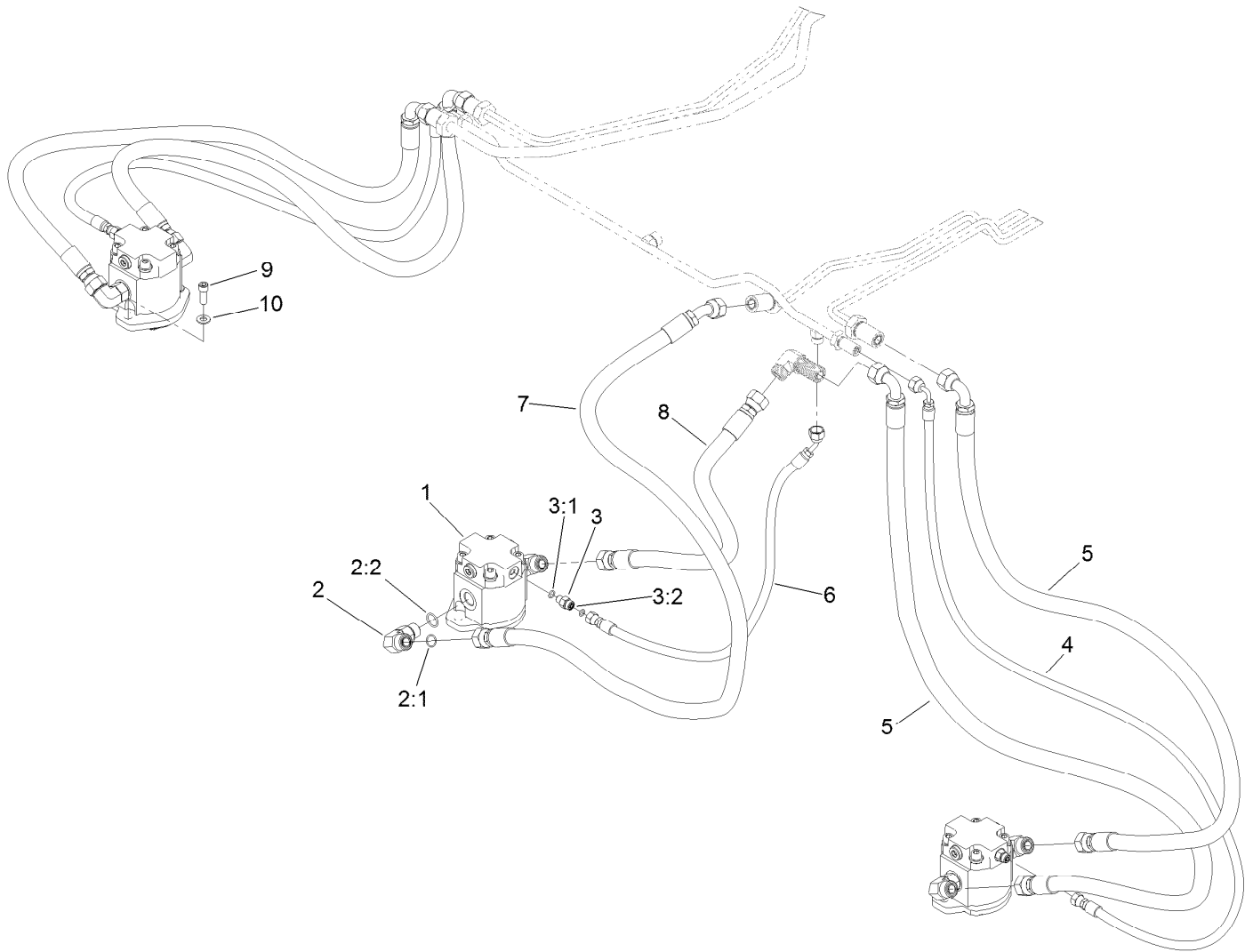
Ref.	Part Number	Qty.	Description	Ref.	Part Number	Qty.	Description
1	108-1689	2	Hose-HYD	14:1	237-22	3	O-Ring
2	125-4574	1	Tube ASM	16	120-8081	1	Tube ASM
2:1	340-65	1	O-Ring	16:1	237-30	1	O-Ring
3	115-4372	1	Tube-HYD	16:2	237-22	3	O-Ring
3:1	237-65	1	O-Ring	17	125-4556	1	Tube ASM
4	115-4373	1	Tube-HYD	17:1	237-65	1	O-Ring
4:1	237-65	1	O-Ring	18	120-8082	1	Tube ASM
5	121-3114	1	Tube ASM	19	105-3901	1	Tube ASM
5:1	237-22	1	O-Ring	19:1	237-65	2	O-Ring
6	125-4557	1	Tube ASM	21	121-3113	1	Tube ASM
6:1	237-65	1	O-Ring	21:1	237-65	2	O-Ring
7	115-4398	1	Tube-HYD	23	125-4573	1	Tube ASM
8	115-4371	1	Tube-HYD	23:1	340-65	1	O-Ring
8:1	237-65	1	O-Ring	25	56-7971	4	Clamp-Tube
9	115-4370	1	Tube-HYD	26	340-128	2	Nut-Bulkhead
9:1	237-65	1	O-Ring	27	340-70	4	Nut-Lock
10	125-1984	13	Spacer	28	115-1794	2	Screw-HHF
11	240-3	13	Grommet-Rubber	30	104-8300	4	Nut-HF, NI
12	340-74	13	Nut-Lock, Bulkhead	32	56-7972	2	Clamp-Tube
13	69-9010	26	Washer	33	340-72	1	Fitting-Bulkhead, 90 DEG
14	340-68	2	Fitting-Tee, Bulkhead	33:1	237-65	2	O-Ring



## Hydraulic Mow Circuit Assembly (continued)

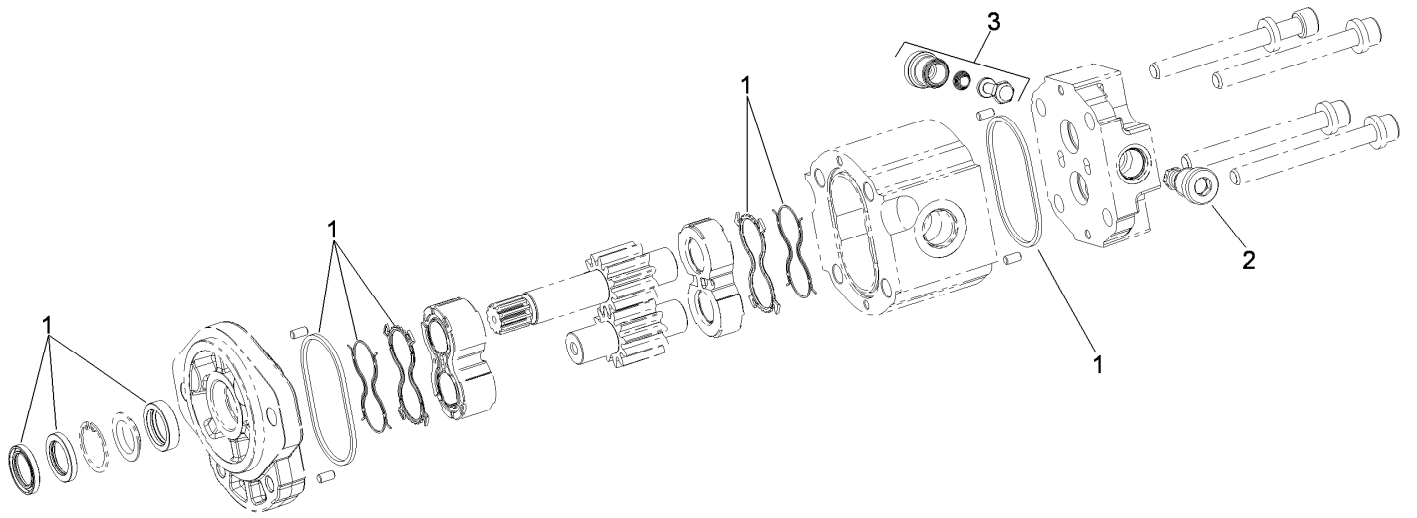
Ref.	Part Number	Qty.	Description
34	121-3112	1	Tube ASM
34:1	237-65	1	O-Ring
35	125-4555	1	Tube ASM
35:1	237-65	1	O-Ring
37	121-3115	1	Tube ASM
41	56-7977	2	Clamp-Tube
42	69-9760	2	Plate-Cover

Ref.	Part Number	Qty.	Description
43	322-10	1	Screw-HH
44	125-4577	2	Spacer
45	56-7973	2	Clamp-Tube
46	322-14	1	Screw-HH
47	3256-23	1	Washer-Plain
48	69-9761	2	Plate-Cover
49	119-1419	4	Plate-Clamp



## Deck No. 1, 4 and 5 Hydraulic Assembly

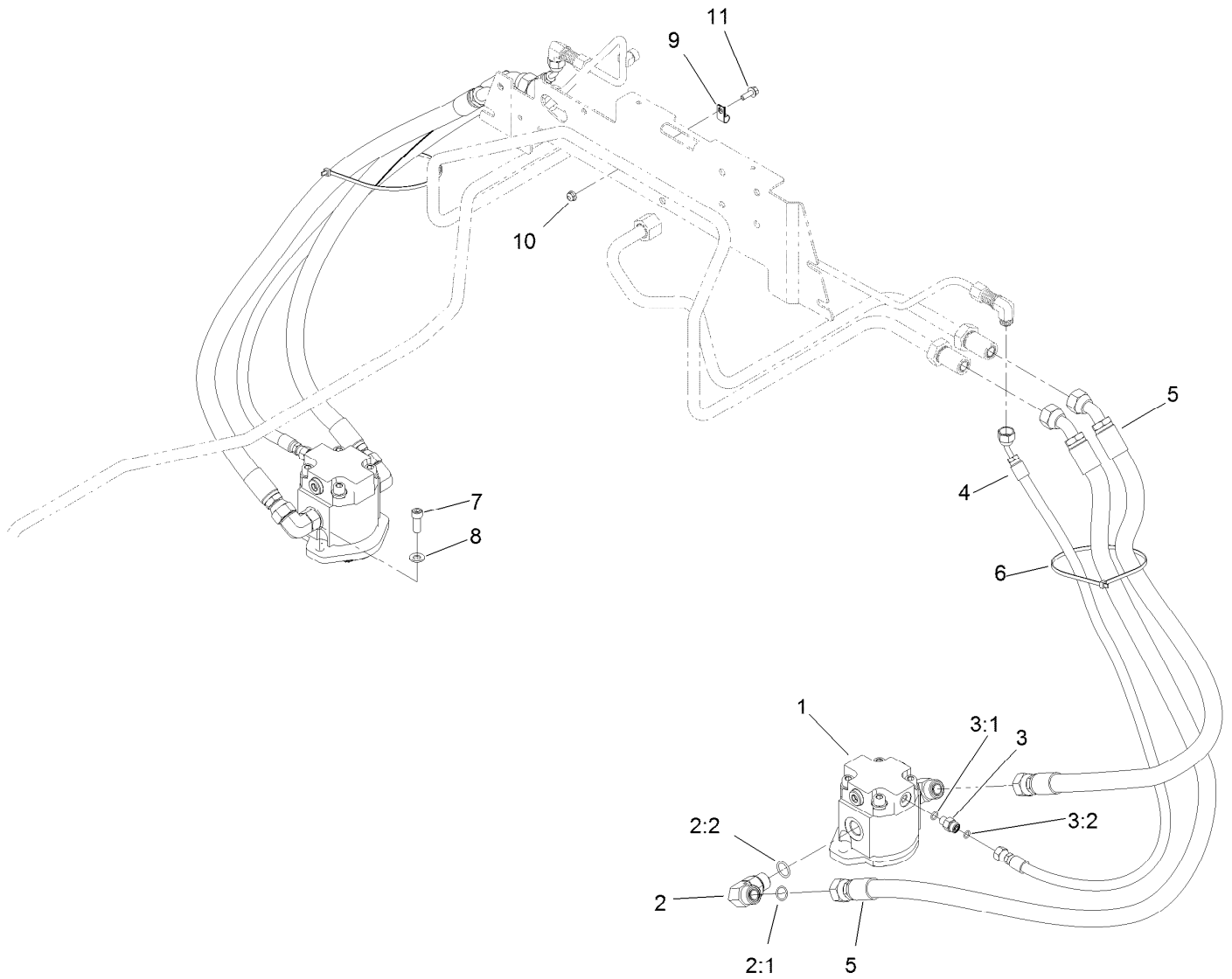
<i>Ref.</i>	<i>Part Number</i>	<i>Qty.</i>	<i>Description</i>
1	117-5141	3	HYD Motor ASM
2	340-17	6	Fitting-Elbow, 90 DEG
2:1	237-65	1	O-Ring
2:2	237-80	1	O-Ring
3	340-92	3	Fitting-Straight
3:1	237-78	1	O-Ring
3:2	237-21	1	O-Ring
4	104-5500	2	Hose-HYD
5	104-5501	4	Hose-HYD
6	104-5502	1	Hose-HYD
7	104-5504	1	Hose-HYD
8	104-5505	1	Hose-HYD
9	3274-7	6	Screw-HSH
10	3256-24	6	Washer-Flat



## Gear Motor Assembly No. 117-5141

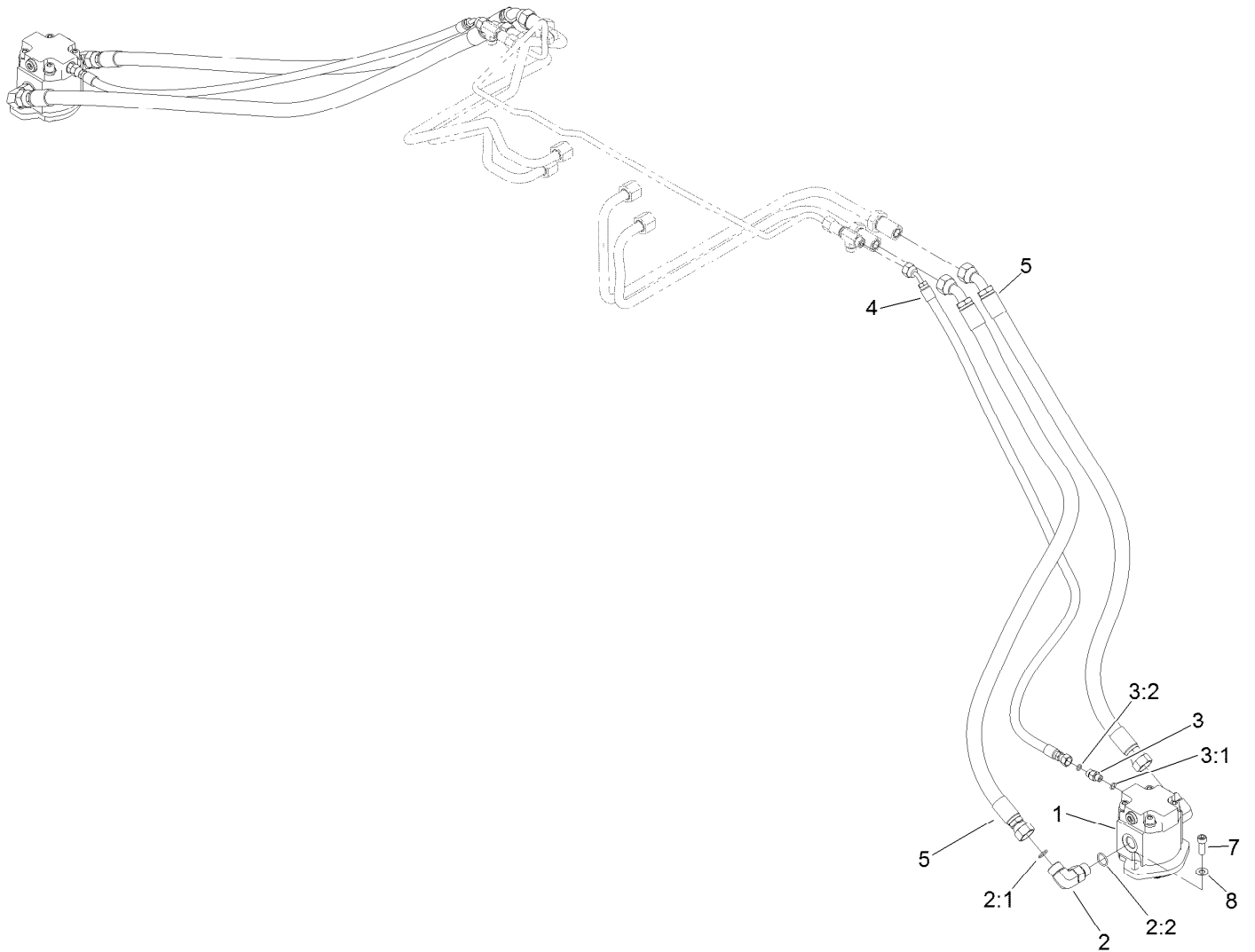
<i>Ref.</i>	<i>Part Number</i>	<i>Qty.</i>	<i>Description</i>
1	117-0235	1	Seal Kit
2	107-7820	1	Valve-Relief
3	107-7821	1	Valve-Anticavitation





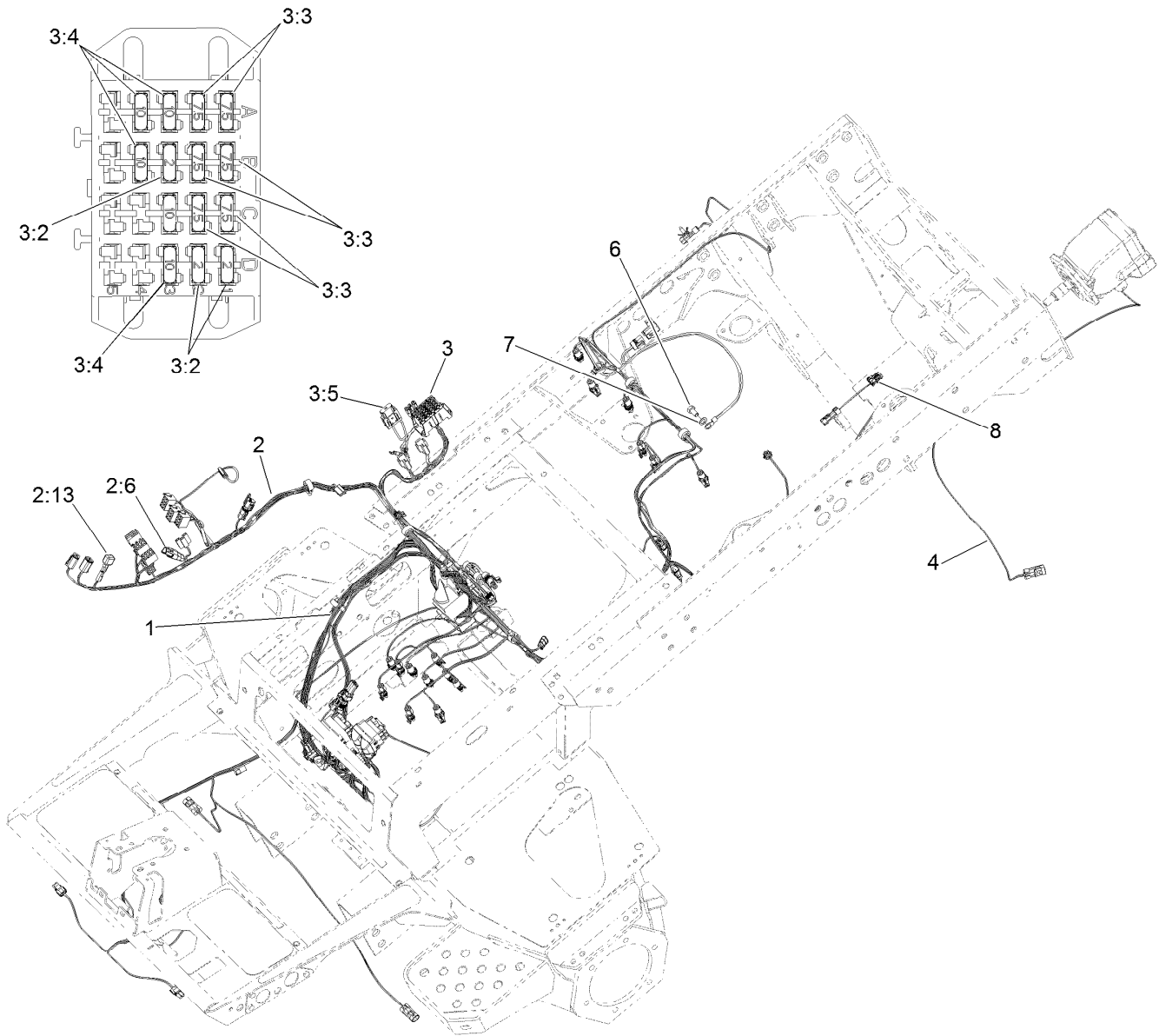
## Deck No. 2 and 3 Hydraulic Assembly

Ref.	Part Number	Qty.	Description
1	117-5141	2	HYD Motor ASM
2	340-17	4	Fitting-Elbow, 90 DEG
2:1	237-65	1	O-Ring
2:2	237-80	1	O-Ring
3	340-92	2	Fitting-Straight
3:1	237-78	1	O-Ring
3:2	237-21	1	O-Ring
4	104-5502	2	Hose-HYD
5	104-5505	4	Hose-HYD
6	3290-379	2	Tie-Cable
7	3274-7	4	Screw-HSH
8	3256-24	4	Washer-Flat
9	2412-89	1	Clamp-R
10	104-7201	1	Nut-HF
11	3234-4	1	Screw-HHF



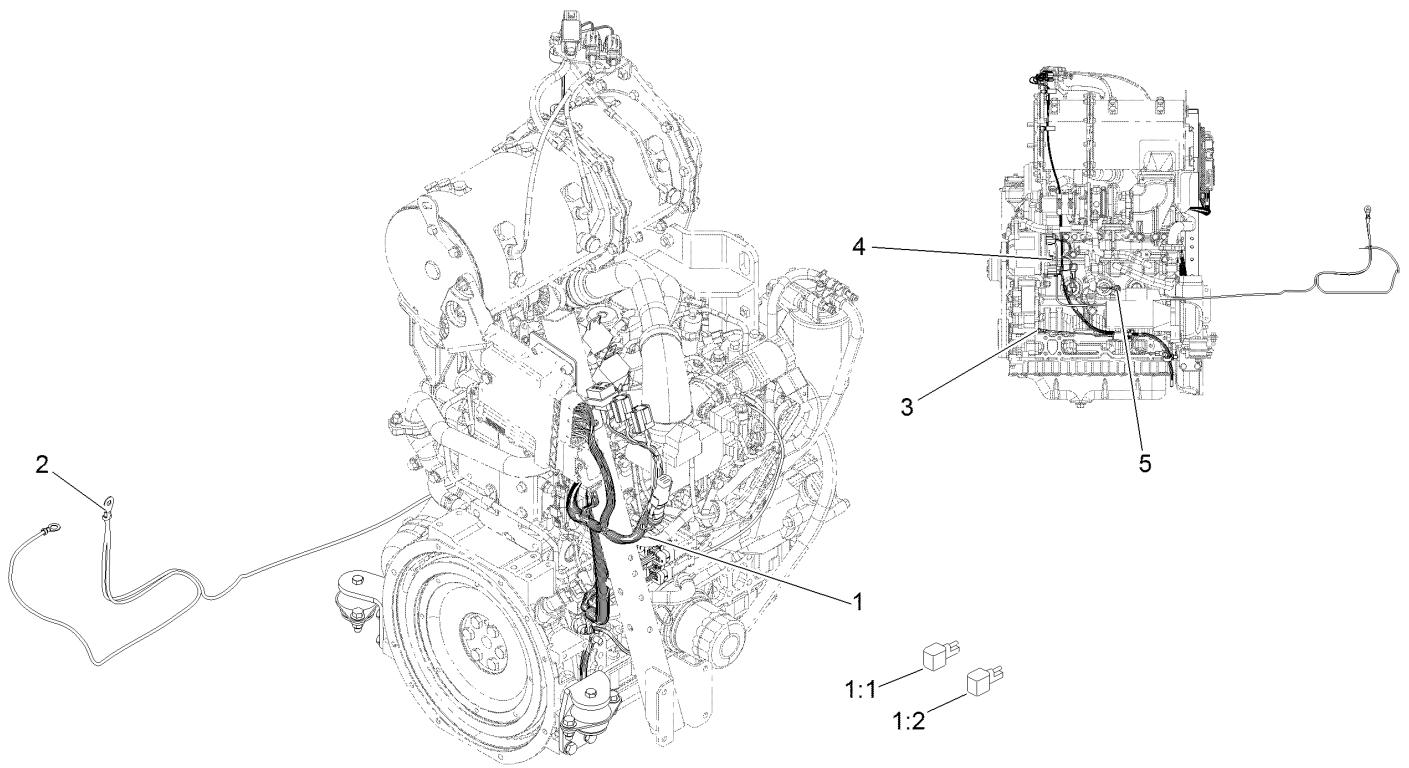
## Deck No. 6 and 7 Hydraulic Assembly

<i>Ref.</i>	<i>Part Number</i>	<i>Qty.</i>	<i>Description</i>
1	117-5141	2	HYD Motor ASM
2	340-17	4	Fitting-Elbow, 90 DEG
2:1	237-65	1	O-Ring
2:2	237-80	1	O-Ring
3	340-92	2	Fitting-Straight
3:1	237-78	1	O-Ring
3:2	237-21	1	O-Ring
4	104-5499	2	Hose-HYD
5	104-5498	4	Hose-HYD
7	3274-7	4	Screw-HSH
8	3256-24	4	Washer-Flat



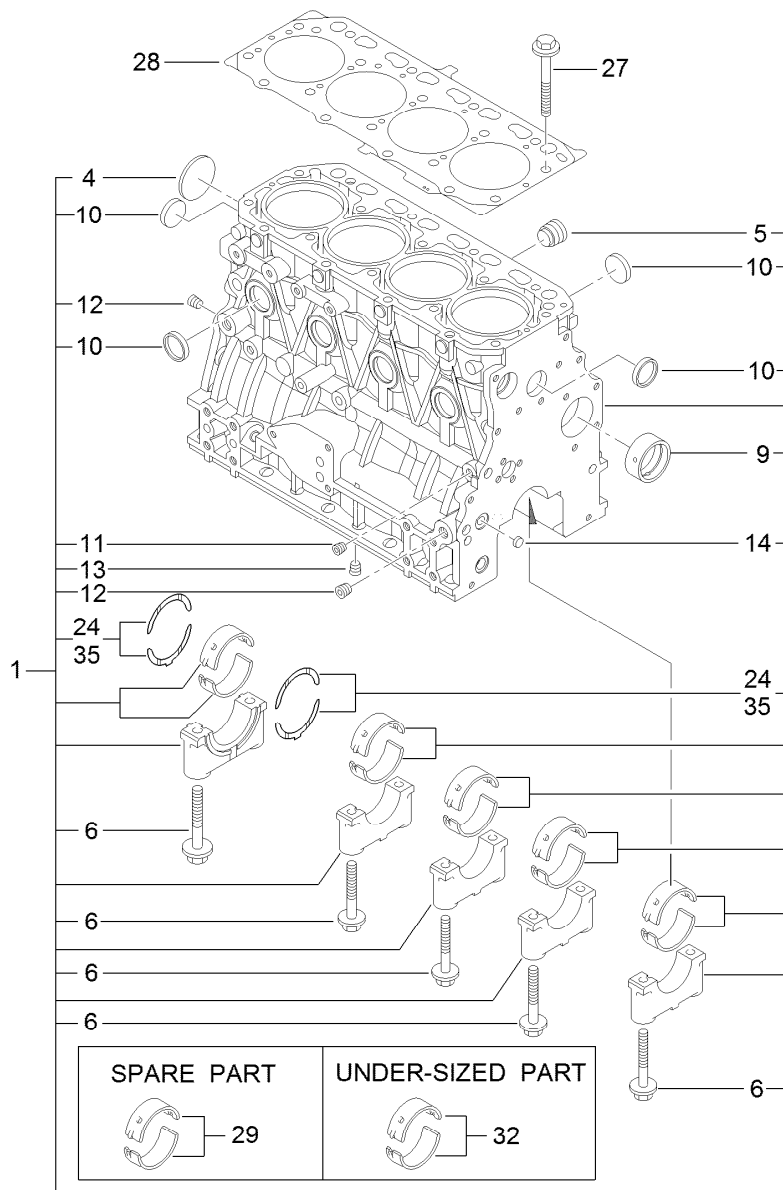
## Main Wire Harness Assembly

<i>Ref.</i>	<i>Part Number</i>	<i>Qty.</i>	<i>Description</i>
1	122-0663	1	Harness-Wire, Main
2	120-6358	1	Harness-Wire
2:6	32180-043	1	Resistor-120 Ohm
2:13	104-4022	1	Resistor-75 Ohm
3	121-8857	1	Harness-Wire, Power Center
3:2	121-8861	3	Fuse-Mini Blade, 2 Amp
3:3	121-8865	6	Fuse-Mini Blade, 7.5 Amp
3:4	121-8866	5	Fuse-Mini Blade, 10 Amp
3:5	114-3342	1	Fuse-Maxi, 60 Amp
4	121-8860	1	Harness-Wire
6	33115-020	1	Screw-HH
7	3255-2	1	Washer-Lock, EXT
8	115-1931	1	Harness-Wire, Fuel Pump Adapter



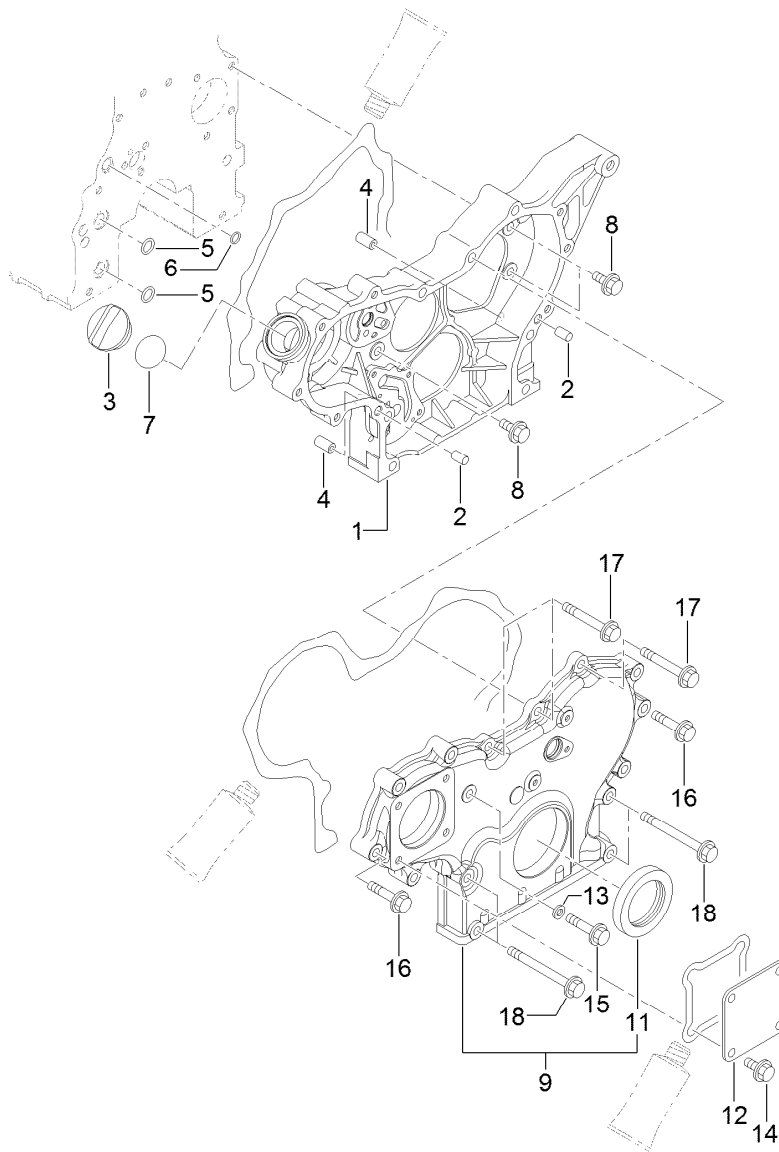
## Engine Wire Harness Assembly

<i>Ref.</i>	<i>Part Number</i>	<i>Qty.</i>	<i>Description</i>
1	122-0230	1	Harness-Wire
1:1	100-4918	2	Diode
1:2	121-8891	1	Resistor (1.6K Ohm)
2	115-1930	1	Cable-Battery, Positive
3	108-9470	1	Harness-Wire, Fusible Link
4	33003-00	1	Nut-HF
5	33004-00	1	Nut-HF



## Cylinder Block Assembly

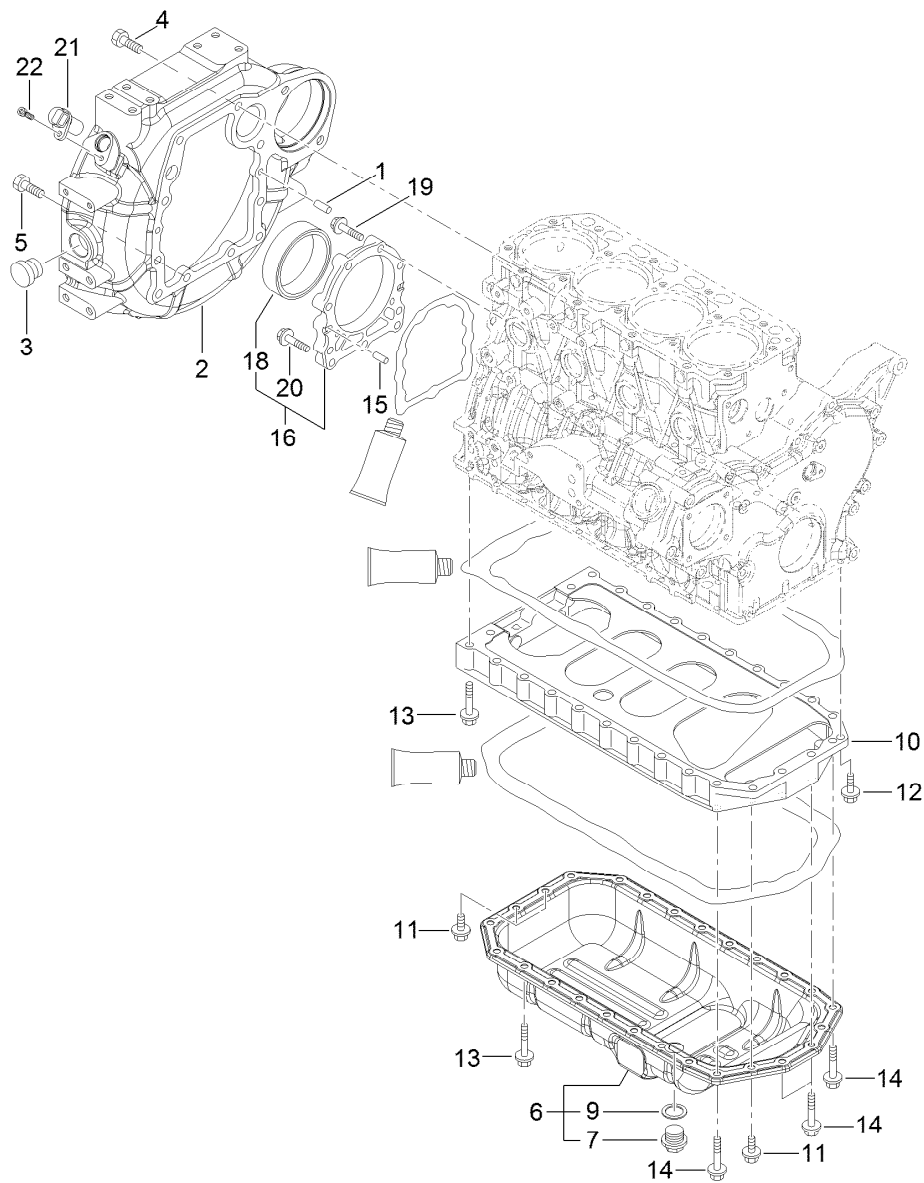
Ref.	Part Number	Qty.	Description	Ref.	Part Number	Qty.	Description
1	127-3127	1	Cylinder Block ASM	13	125-6973	1	Plug
4	125-6980	1	Plug	14	125-7237	1	Plug
5	125-7170	1	Plug	24	125-7010	2	Metal-Thrust
6	125-7007	10	Bolt	27	125-7006	18	Bolt
9	125-7108	1	Bushing	28	127-3126	1	Gasket-Head, Cylinder
10	125-7239	8	Plug	29	125-6981	5	Metal-Main
11	125-6969	1	Plug	32	125-7009	5	Metal-Main (0.25)
12	125-6973	2	Plug	35	125-7011	1	Metal-Thrust (0.25)



## Gear Housing Assembly

<i>Ref.</i>	<i>Part Number</i>	<i>Qty.</i>	<i>Description</i>
1	127-3023	1	Case-Gear
2	125-6995	2	Pin
3	125-6972	1	Cover-Filler
4	125-7107	2	Pipe
5	125-6909	2	O-Ring
6	127-2973	1	O-Ring
7	125-7197	1	O-Ring
8	125-7214	3	Bolt
9	127-3024	1	Gearcase Cover ASM

<i>Ref.</i>	<i>Part Number</i>	<i>Qty.</i>	<i>Description</i>
11	125-6944	1	Seal-Oil
12	125-6977	1	Cover
13	125-7174	1	Washer-Seal
14	125-7214	4	Bolt
15	125-7217	1	Bolt
16	125-7218	7	Bolt
17	125-7222	3	Bolt
18	125-7224	4	Bolt

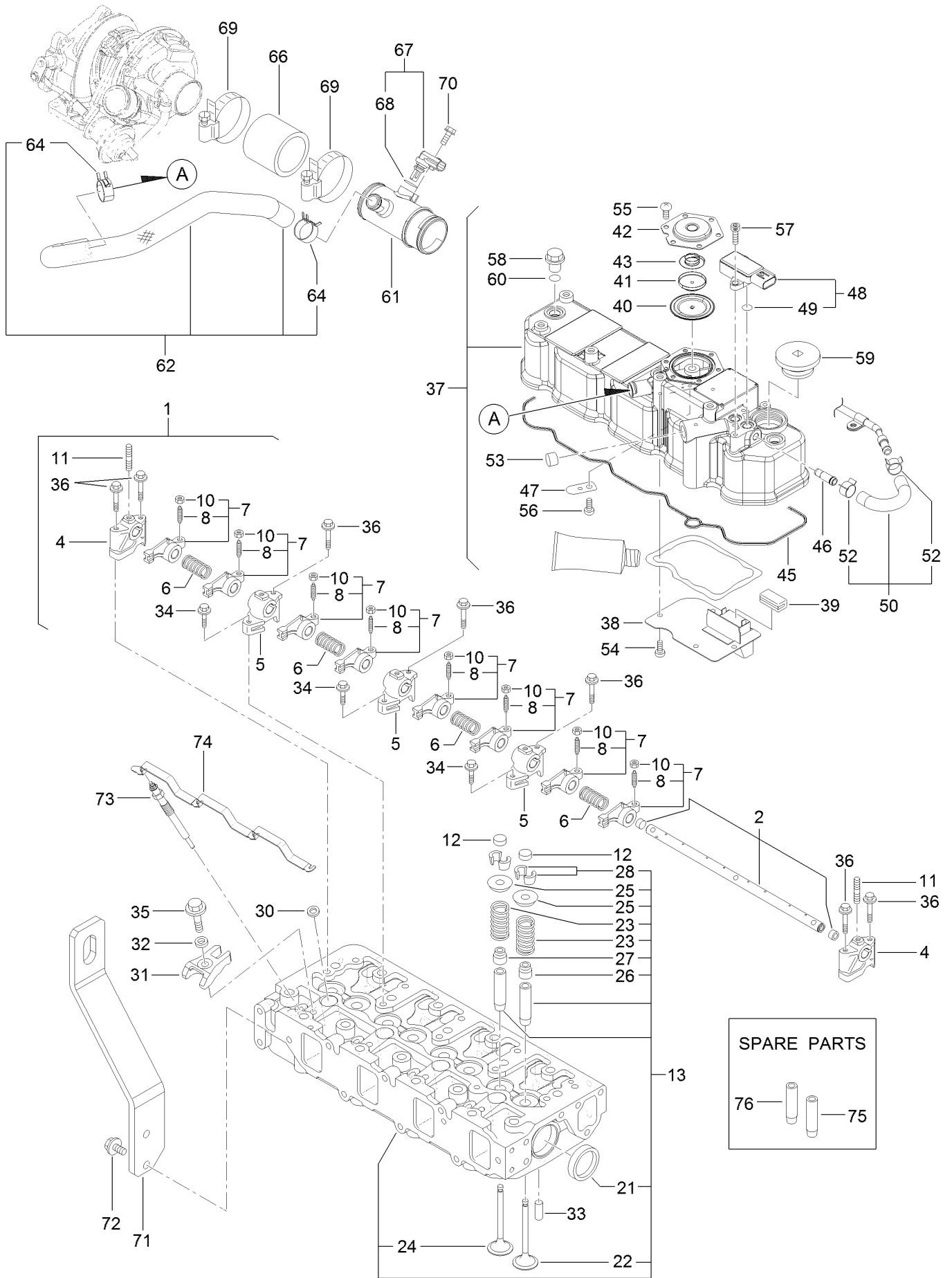


## Flywheel Housing and Oil Sump Assembly

<i>Ref.</i>	<i>Part Number</i>	<i>Qty.</i>	<i>Description</i>
1	125-6995	2	Pin
2	127-3025	1	Housing-Flywheel
3	125-6910	1	Cap
4	125-7226	6	Bolt
5	125-7227	4	Bolt
6	125-7241	1	Oil Sump ASM
7	125-6912	1	Plug-Drain
9	125-7177	1	Washer-Seal
10	125-7035	1	Spacer
11	125-7214	4	Bolt

<i>Ref.</i>	<i>Part Number</i>	<i>Qty.</i>	<i>Description</i>
12	125-7215	2	Bolt
13	125-7219	20	Bolt
14	125-7220	4	Bolt
15	125-6995	2	Pin
16	125-6996	1	Case ASM
18	125-7106	1	Seal-Oil
19	125-7045	6	Bolt
20	125-7217	3	Bolt
21	127-3062	1	Sensor-Rev, Flywheel
22	127-3184	1	Bolt

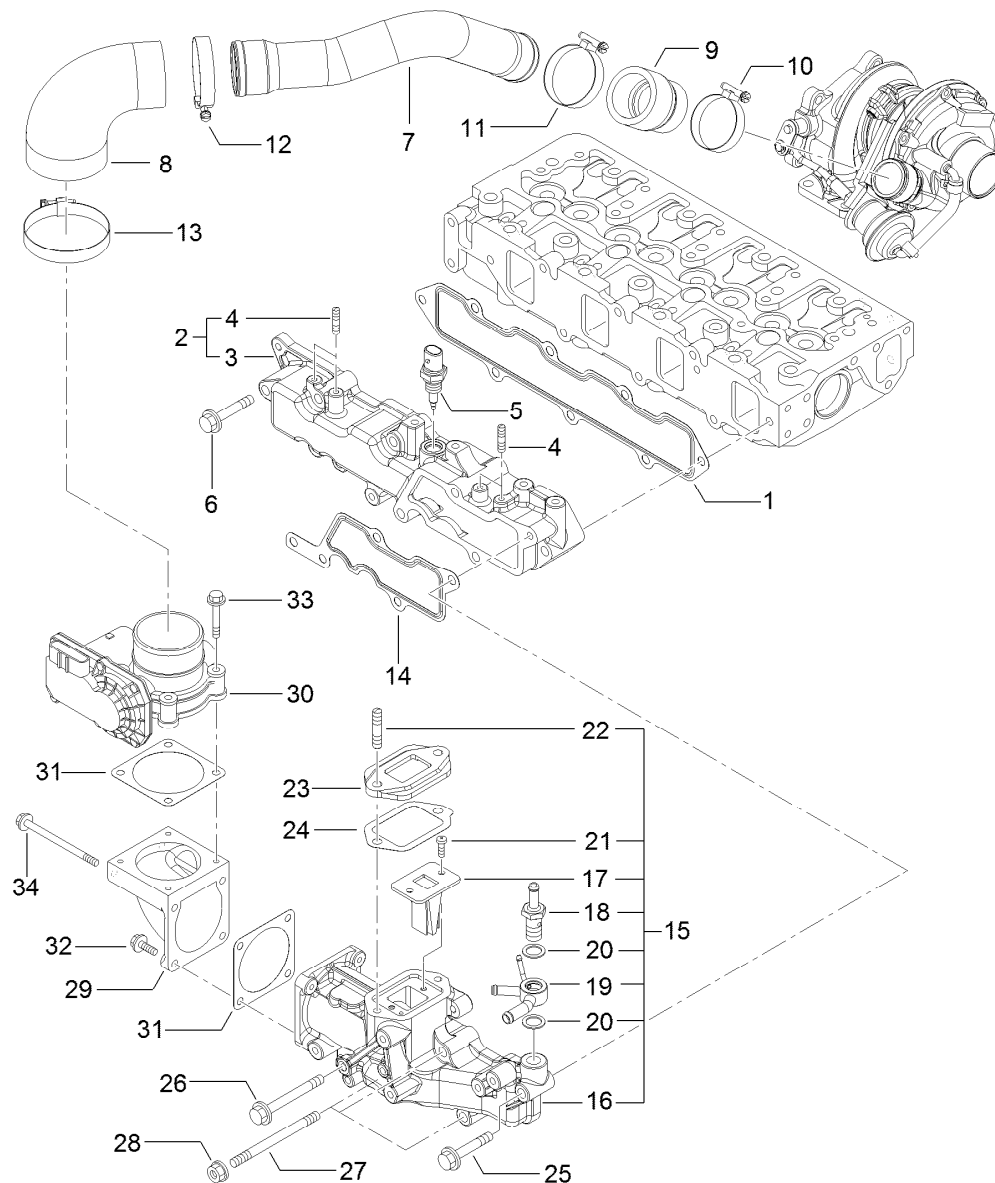
# Cylinder Head and Cover Assembly





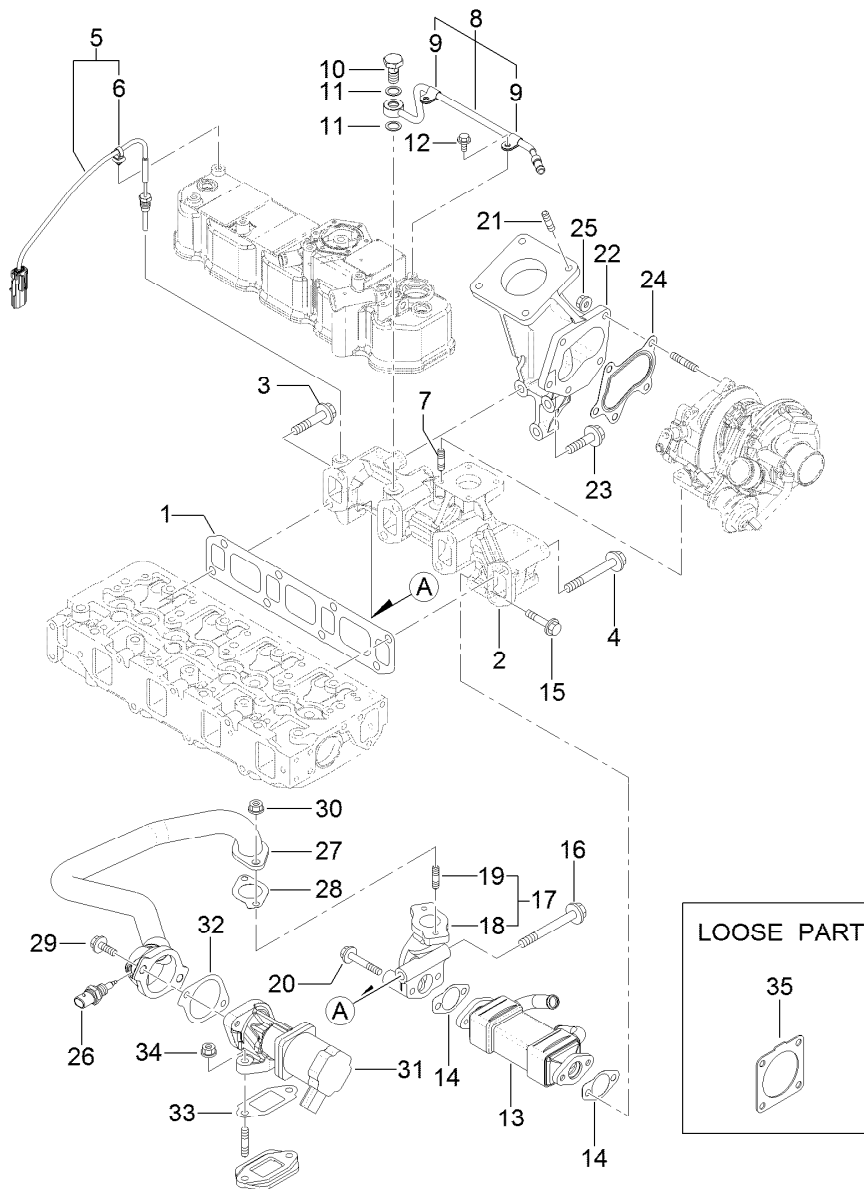
## Cylinder Head and Cover Assembly (continued)

<i>Ref.</i>	<i>Part Number</i>	<i>Qty.</i>	<i>Description</i>	<i>Ref.</i>	<i>Part Number</i>	<i>Qty.</i>	<i>Description</i>
1	127-3005	1	Shaft ASM	42	125-6961	1	Plate-Breather
2	127-3006	1	Shaft	43	125-6962	1	Spring-Diaphragm
4	127-2974	2	Support	45	127-3106	1	Gasket-Cover
5	127-2975	3	Support	46	127-3026	1	Joint
6	127-2995	4	Spring	47	125-6994	1	Spring
7	127-2989	8	Arm-Rocker	48	127-3029	1	Sensor-Pressure
8	125-7013	8	Screw-Adjust, Valve	49	127-3032	2	O Ring-Sensor, Pressure
10	125-7014	8	Nut	50	127-3040	1	Hose ASM
11	127-3183	3	Stud	52	127-3041	2	Clip-Hose
12	127-2996	8	Cap-Valve	53	125-6913	1	Plug
13	127-3132	1	Cylinder Head ASM	54	125-7186	4	Screw
21	125-7240	2	Plug	55	125-7186	6	Screw
22	127-2990	4	Valve	56	125-7186	1	Screw
23	127-3012	8	Spring	57	127-3184	2	Bolt
24	127-2994	4	Valve	58	125-6974	3	Knob
25	127-3013	8	Retainer-Spring	59	127-2978	1	Plug
26	127-2986	4	Seal-Stem, Valve	60	93-0418	3	O-Ring
27	127-3027	4	Seal-Stem, Valve	61	127-3128	1	Joint-Breather
28	127-3186	8	Pin-Cotter	62	127-3129	1	Breather Hose ASM
30	127-3021	4	Gasket-Injector	64	125-7040	2	Clip-Hose
31	127-3028	4	Retainer-Injector	66	127-3133	1	Hose-Intake
32	127-2980	4	Washer-Injector	67	127-3030	1	Sensor-Temp, Air
33	125-7184	2	Pin-Spring	68	127-3033	1	O-Ring
34	125-7215	3	Bolt	69	125-7190	2	Clamp-Hose
35	125-7217	4	Bolt	70	125-7208	1	Bolt
36	125-7220	7	Bolt	71	127-3130	1	Lifter-Engine
37	127-3131	1	Cylinder Head Cover ASM	72	125-7214	2	Bolt
38	127-2988	1	Plate	73	127-2991	4	Plug-Glow
39	125-7012	1	Baffle	74	127-3123	1	Connector-Glow Plug
40	125-6959	1	Diaphragm	75	127-2979	4	Guide
41	125-6960	1	Plate	76	127-2997	4	Guide-Valve



## Suction Manifold Assembly

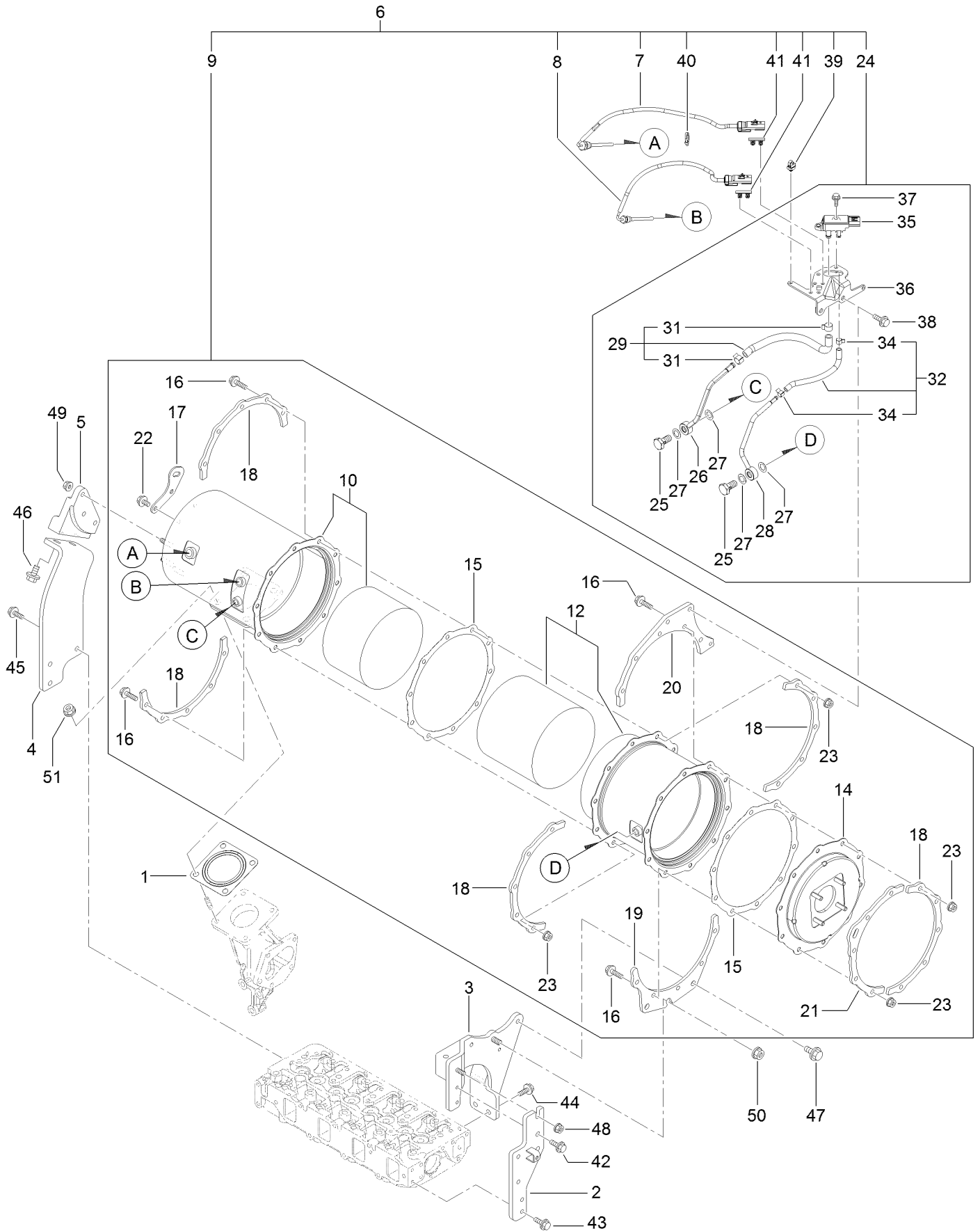
Ref.	Part Number	Qty.	Description	Ref.	Part Number	Qty.	Description
1	127-3107	1	Gasket-Manifold, Intake	18	127-3080	1	Joint-Hose
2	127-3135	1	Intake Manifold ASM	19	127-3081	1	Joint-Hose
3	127-3134	1	Manifold-Intake	20	127-3166	2	Washer-Seal
4	127-3180	4	Stud	21	127-3168	2	Screw
5	127-3031	1	Sensor-Temp, Air	22	127-3181	2	Stud
6	125-7220	5	Bolt	23	127-3045	1	Spacer-Valve, E G R
7	127-3152	1	Duct-Suction	24	127-3046	1	Gasket-E G R
8	127-3096	1	Joint-Rubber	25	125-7220	1	Bolt
9	127-3153	1	Joint-Rubber	26	127-3178	1	Bolt
10	125-7189	1	Clamp-Hose	27	127-3182	3	Stud
11	127-3170	1	Clamp-Hose	28	125-7229	3	Nut
12	125-7190	1	Clamp-Hose	29	127-3035	1	Bend-Inlet
13	127-3171	1	Clamp-Hose	30	127-3036	1	Body-Throttle
14	127-3034	1	Gasket-Collector	31	127-3037	2	Gasket-Throttle
15	127-3093	1	Intake Collector ASM	32	125-7209	2	Bolt
16	127-3092	1	Collector-Intake	33	125-7211	4	Bolt
17	127-3139	1	Valve-Reed	34	127-3177	2	Bolt



## Exhaust Manifold Assembly

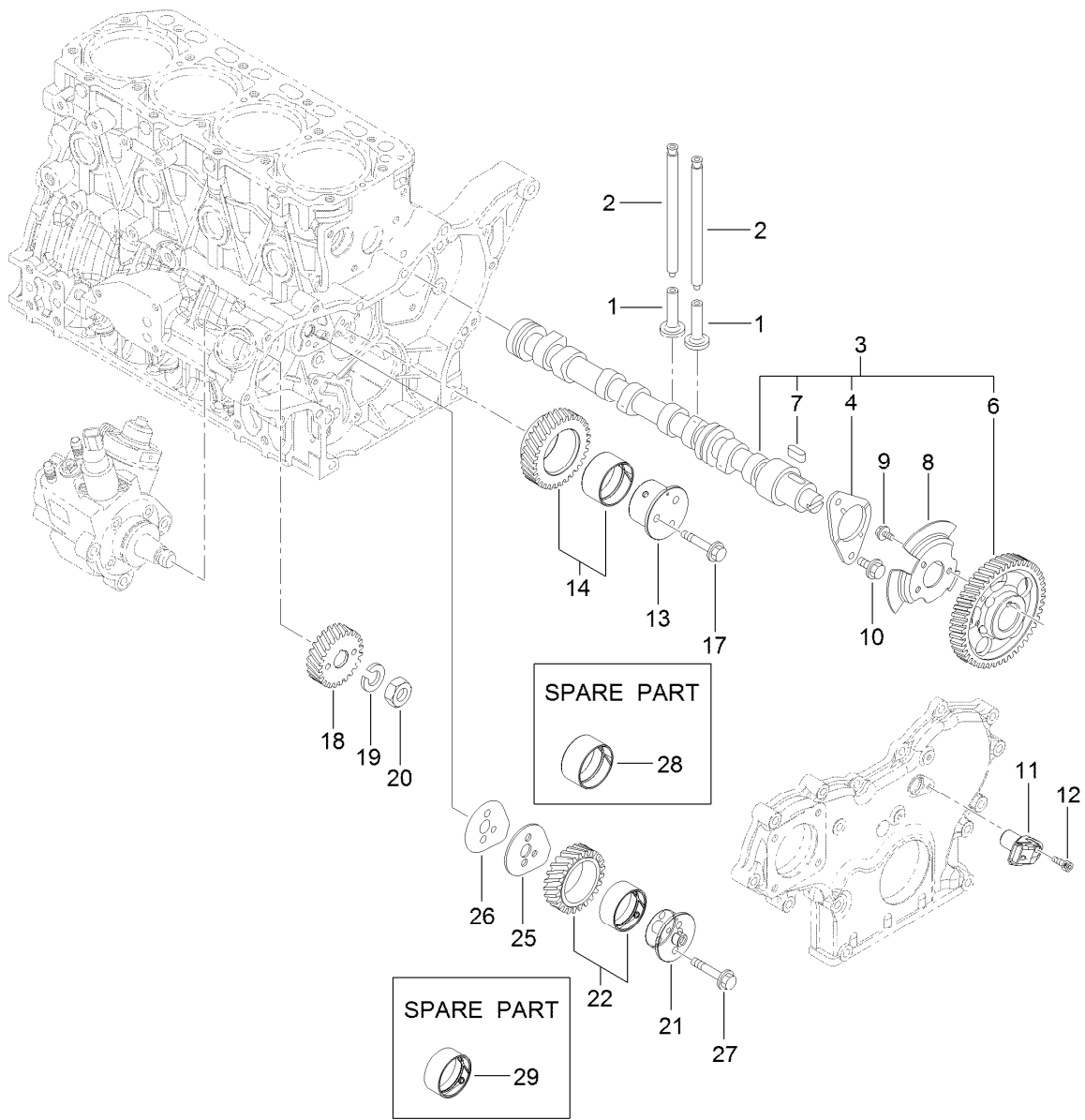
Ref.	Part Number	Qty.	Description	Ref.	Part Number	Qty.	Description
1	127-3108	1	Gasket-Manifold, Exhaust	19	125-7043	2	Stud
2	127-3136	1	Manifold-Exhaust	20	125-7220	2	Bolt
3	127-3094	1	Bolt	21	127-2984	4	Stud
4	127-3044	7	Bolt-M10	22	127-3137	1	Pipe-Exhaust
5	127-3140	1	Sensor-Temp, Exhaust	23	127-3138	3	Bolt-Flange
6	127-3087	1	Band-Clip	24	125-7071	1	Gasket
7	125-7043	4	Stud	25	125-7229	5	Nut
8	127-3038	1	Exhaust Pipe ASM	26	127-3047	1	Sensor-Gas Temp, E G R
9	127-3173	2	Clamp	27	127-3109	1	E G R Pipe ASM
10	127-3039	1	Bolt-Joint, Pipe	28	127-3016	1	Gasket
11	127-3174	2	Gasket	29	125-7215	2	Bolt
12	125-7206	2	Bolt	30	125-7229	2	Nut
13	127-3042	1	Cooler-E G R	31	127-3110	1	Valve-E G R
14	127-3043	2	Gasket-Cooler, E G R	32	127-3050	1	Gasket-Intake Valve, E G R
15	127-2976	2	Bolt	33	127-3051	1	Gasket-Out Valve, E G R
16	127-3022	1	Bolt-Flange	34	125-7229	2	Nut
17	127-3048	1	E G R Pipe ASM	35	127-3019	1	Gasket
18	127-3049	1	Pipe-Out, E G R				

# Diesel Particulate Filter Assembly



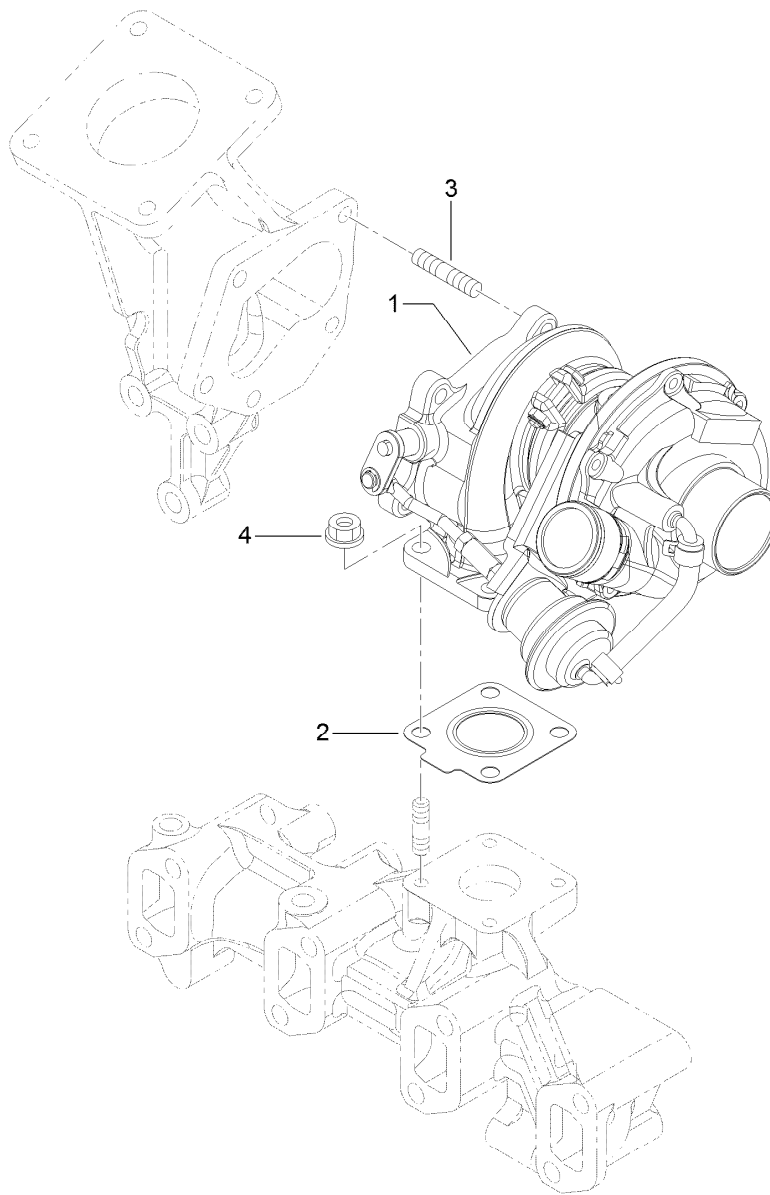
## Diesel Particulate Filter Assembly (continued)

<i>Ref.</i>	<i>Part Number</i>	<i>Qty.</i>	<i>Description</i>	<i>Ref.</i>	<i>Part Number</i>	<i>Qty.</i>	<i>Description</i>
1	127-2987	1	Gasket-Silencer	27	127-3056	4	Gasket-Sensor
2	127-3095	1	Stay-D P F	28	127-3165	1	Exhaust Pressure Pipe ASM
3	127-3148	1	Stay- D P F	29	127-3114	1	Exhaust Hose ASM
4	127-3149	1	Stay-D P F	31	127-3057	2	Clip-Hose
5	127-3150	1	Stay-D P F	32	127-3059	1	Exhaust Pressure Hose ASM
6	127-3159	1	D P F Unit	34	127-3058	2	Clip-Hose
7	127-3111	1	Sensor-Temp, Exhaust	35	127-3060	1	Sensor-Pressure
8	127-3112	1	Sensor-Temp, Exhaust	36	127-3061	1	Bracket-Sensor, Pressure
9	127-3157	1	D P F ASM	37	125-7208	2	Bolt
10	127-3141	1	Case-Doc	38	125-7595	2	Bolt
12	127-3142	1	Case-Filter, Soot	39	127-3087	1	Band-Clip
14	127-3143	1	Flange-Outlet	40	127-3124	1	Band
15	127-3162	2	Gasket-D P F	41	127-3088	2	Clip-Connector
16	127-3055	20	Bolt	42	125-7595	2	Bolt
17	127-3144	1	Lifter-D P F	43	125-7595	2	Bolt
18	127-3145	5	Stiffener-D P F, A	44	125-7595	2	Bolt
19	127-3146	1	Stiffener-D P F, B	45	125-7595	3	Bolt
20	127-3158	1	Stiffener-D P F, D	46	127-3179	2	Bolt
21	127-3147	1	Stiffener-D P F, C	47	127-3179	2	Bolt
22	125-7213	2	Bolt	48	125-7229	1	Nut
23	125-7229	20	Nut	49	125-7229	3	Nut
24	127-3163	1	Pressure Sensor Unit	50	125-7230	1	Nut
25	127-3039	2	Bolt-Joint, Pipe	51	125-7230	4	Nut
26	127-3164	1	Exhaust Pressure Pipe ASM				



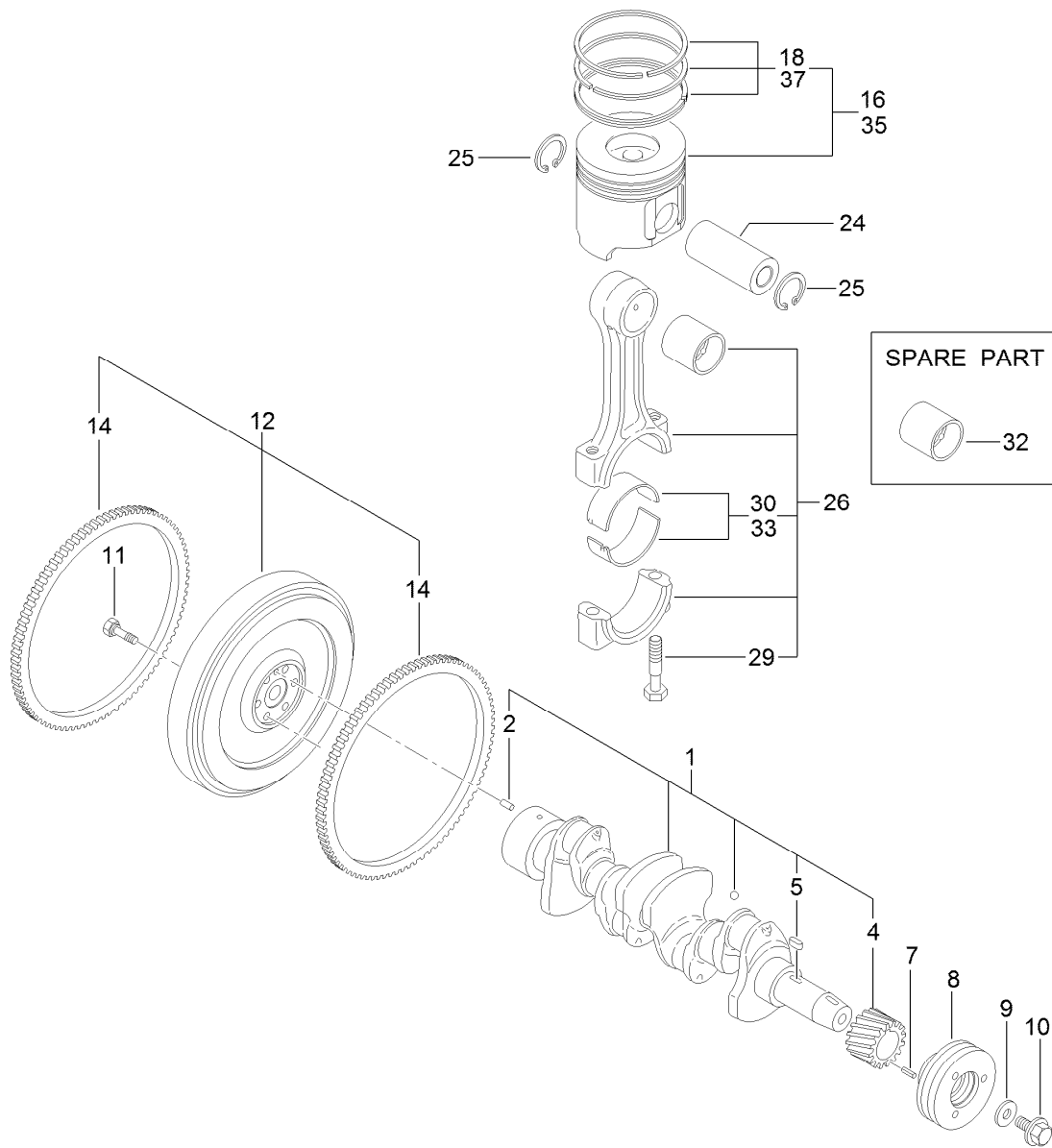
## Camshaft and Driving Gear Assembly

<i>Ref.</i>	<i>Part Number</i>	<i>Qty.</i>	<i>Description</i>	<i>Ref.</i>	<i>Part Number</i>	<i>Qty.</i>	<i>Description</i>
1	125-7016	8	Tappet	14	127-3066	1	Idle Gear A ASM
2	125-7017	8	Rod-Push	17	125-7219	3	Bolt
3	127-3113	1	Camshaft ASM	18	127-3070	1	Gear-Pump, Supply
4	125-7008	1	Metal-Thrust	19	127-3167	1	Washer-Spring
6	127-3052	1	Gear-Camshaft	20	127-3185	1	Nut-Lock
7	125-7185	1	Key	21	127-3064	1	Shaft-Idle, Gear B
8	127-3053	1	Pulser-Camshaft	22	127-3067	1	Idle Gear B ASM
9	125-7205	3	Bolt	25	127-3068	1	Plate-Idle, Shaft
10	125-7213	2	Bolt	26	127-3069	1	Gasket-Idle, Shaft B
11	127-3054	1	Sensor-Rev, Gear	27	125-7218	2	Bolt
12	127-3184	1	Bolt	28	125-6927	1	Bushing
13	127-3063	1	Shaft-Idle, Gear A	29	127-3065	1	Bushing



## Turbine Assembly

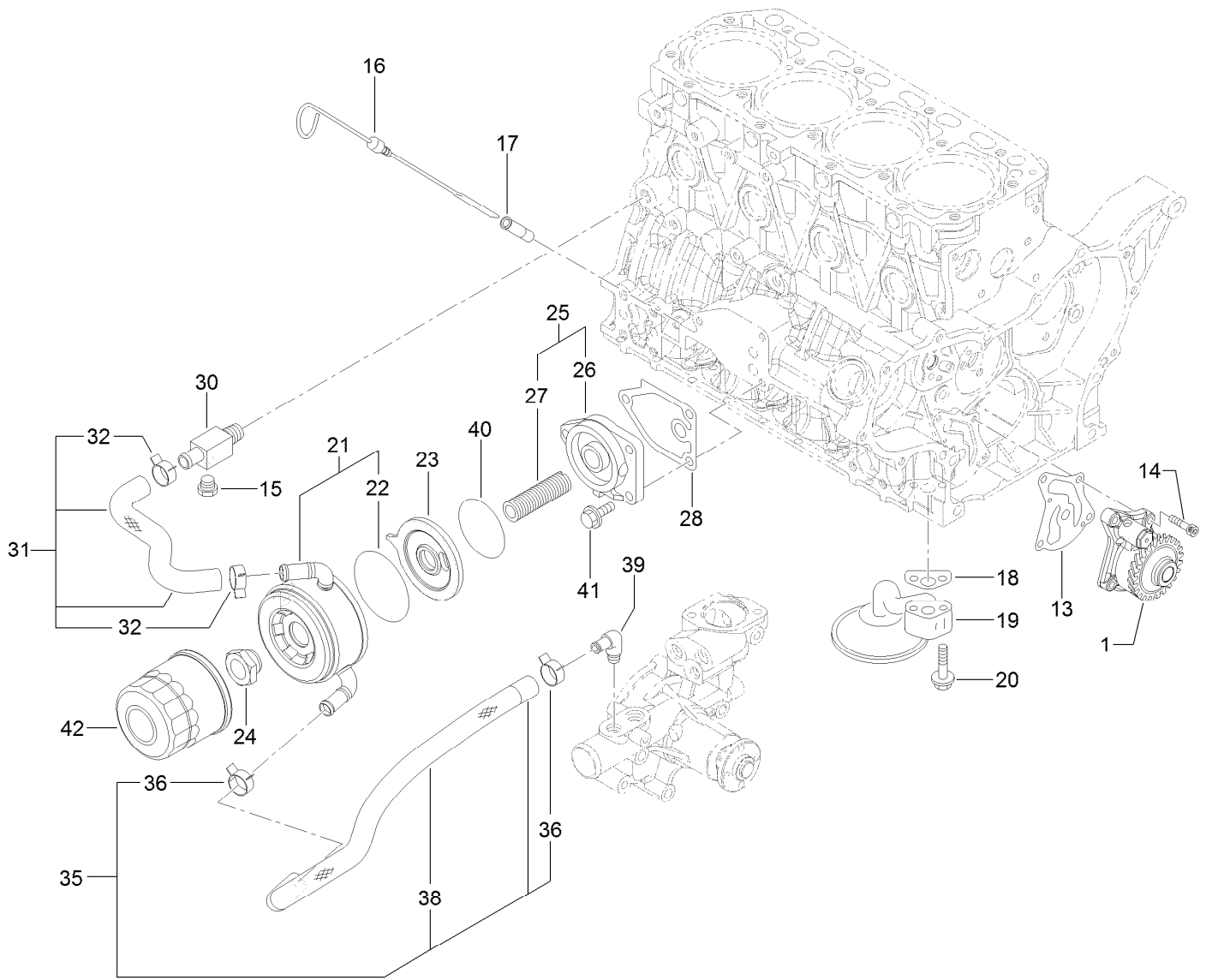
<i>Ref.</i>	<i>Part Number</i>	<i>Qty.</i>	<i>Description</i>
1	127-3151	1	Turbine ASM
2	125-7070	1	Gasket
3	125-6906	5	Stud
4	125-7229	4	Nut



## Crankshaft and Piston Assembly

Ref.	Part Number	Qty.	Description	Ref.	Part Number	Qty.	Description
1	125-7091	1	Crankshaft ASM	16	127-3097	4	Piston ASM
2	125-6995	1	Pin	18	127-3098	4	Piston Ring ASM
4	125-6937	1	Gear	24	125-7030	4	Pin
5	125-7185	1	Key	25	125-7180	8	Ring
7	125-7182	1	Pin-Spring	26	125-7242	4	Connecting Rod ASM
8	125-6925	1	V-Pulley	29	125-6955	8	Bolt
9	125-7109	1	Washer	30	125-7018	4	Pin-Crank
10	125-6956	1	Bolt	32	125-6997	4	Pin-Piston
11	125-6951	6	Bolt	33	125-7019	4	Pin-Crank (.25)
12	127-3160	1	Flywheel ASM	35	127-3099	4	Piston ASM (0.25 O.S.)
14	125-6943	1	Gear	37	127-3100	4	Piston Ring ASM (0.25 O.S.)

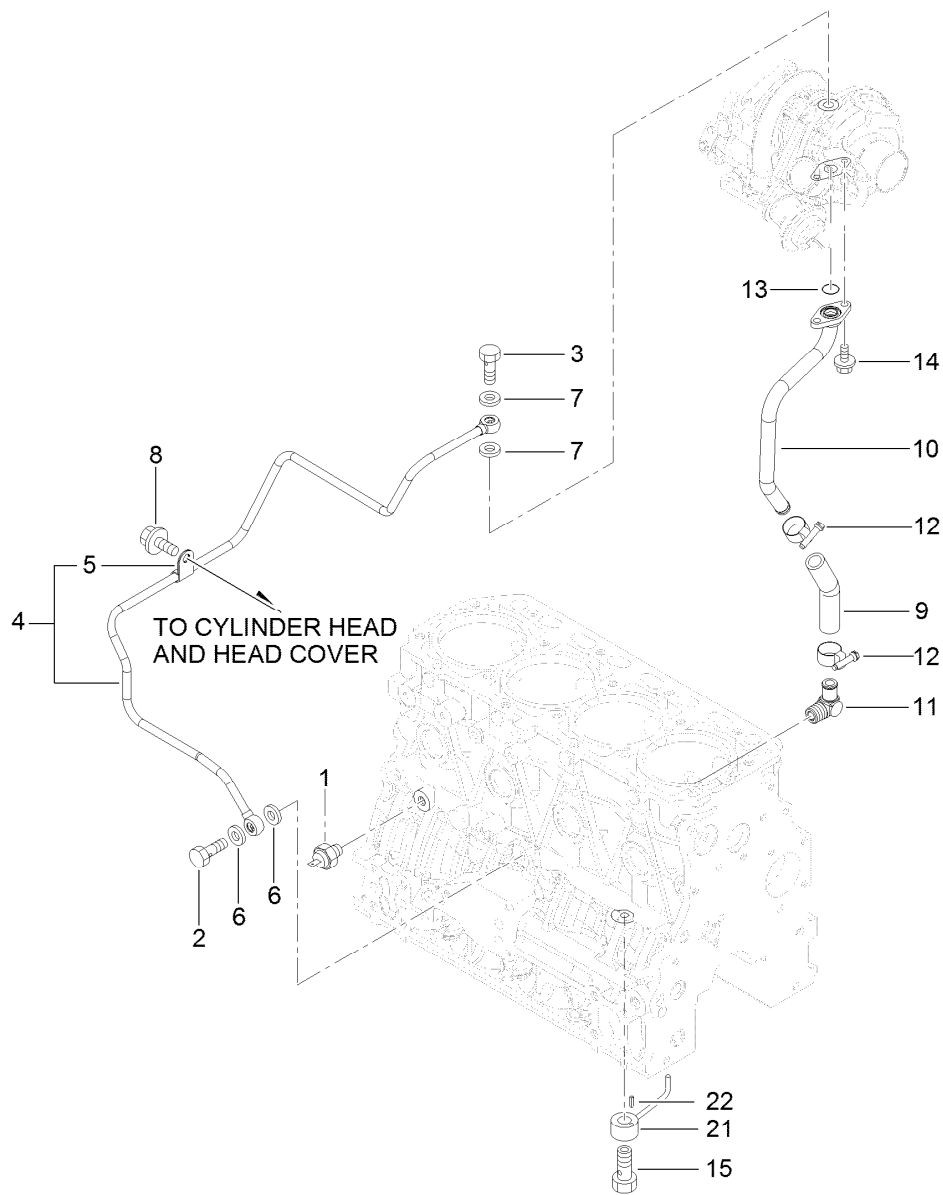




## Lubrication and Oil System Assembly

Ref.	Part Number	Qty.	Description
1	127-3101	1	Oil Lube Pump ASM
13	127-3004	1	Gasket
14	125-7232	4	Bolt
15	125-7171	1	Plug-Drain
16	125-6987	1	Dipstick
17	125-6954	1	Guide-Dipstick
18	125-7022	1	Gasket
19	125-7023	1	Pipe ASM
20	125-7217	2	Bolt
21	127-3014	1	Cooler ASM
22	127-2985	1	O-Ring
23	127-3015	1	Bracket-Cooler
24	125-7041	1	Nut-Cooler, Oil
25	127-3009	1	Bracket ASM

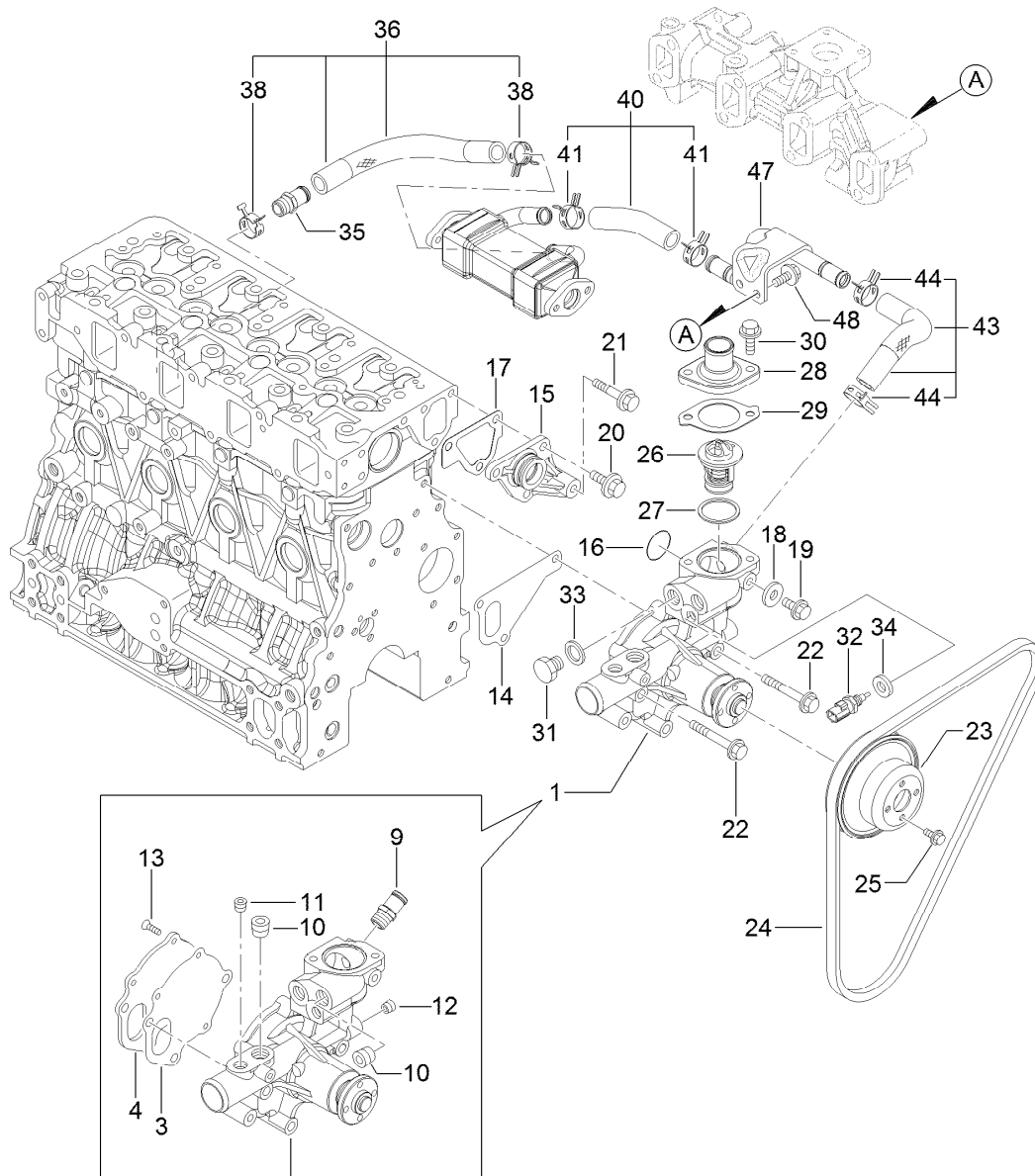
Ref.	Part Number	Qty.	Description
26	125-6930	1	Bracket
27	127-3010	1	Stud
28	125-7024	1	Gasket
30	125-6990	1	Joint
31	127-3102	1	Pipe-Cooling, Water
32	125-7162	2	Clip
35	127-3103	1	Hose-Cooling, Water
36	125-7162	2	Clip
38	127-3007	1	Tube
39	125-7001	1	Elbow
40	127-3176	1	O-Ring
41	125-7595	3	Bolt
42	125-7025	1	Filter-Engine



## Lubrication Oil Line Assembly

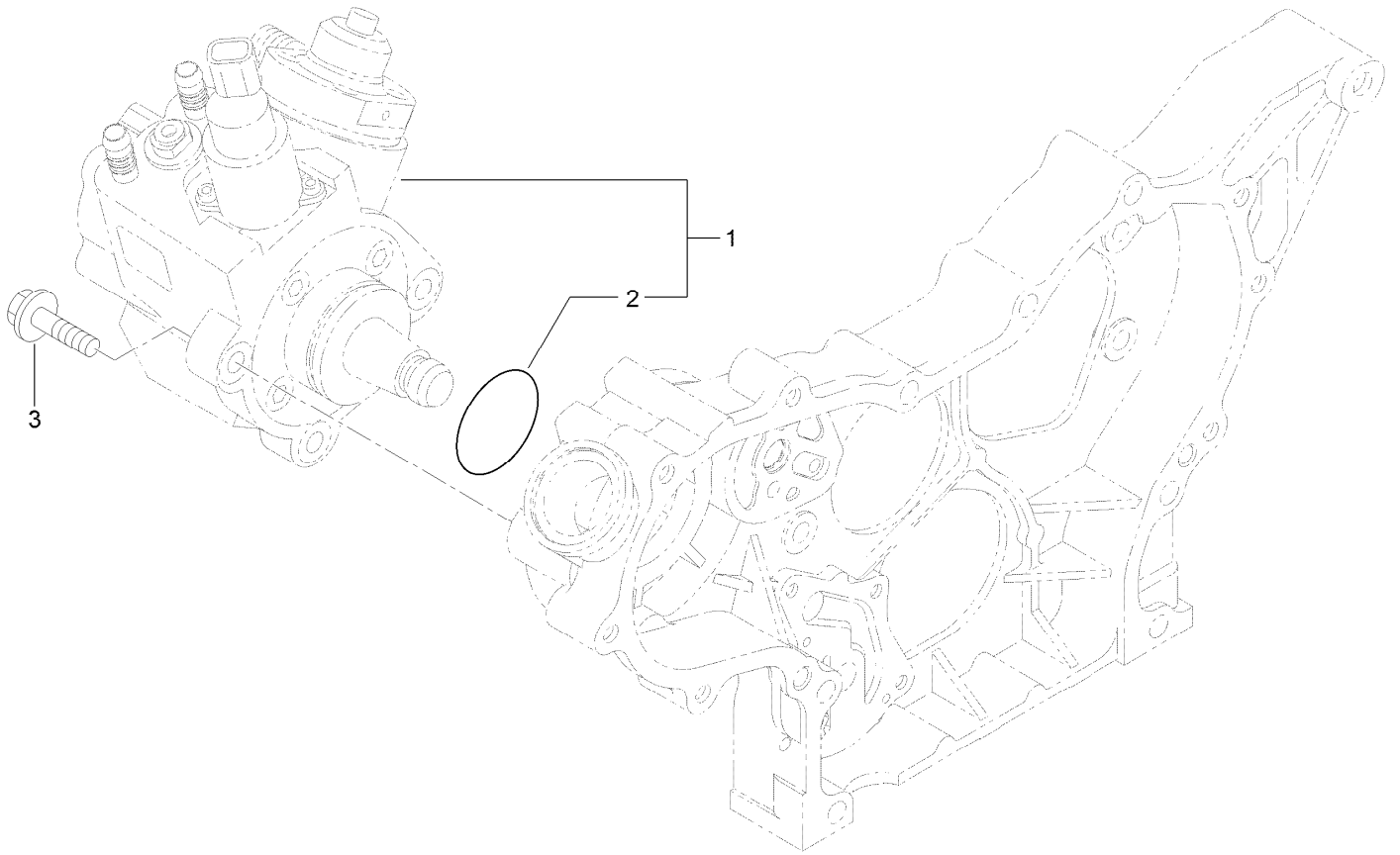
Ref.	Part Number	Qty.	Description
1	125-6918	1	Switch-Oil
2	125-6975	1	Bolt-Joint, Pipe
3	125-6952	1	Bolt-Joint, Pipe
4	127-3154	1	Lube Oil Pipe ASM
5	125-6976	1	Retainer
6	125-7175	2	Washer-Seal
7	125-7193	2	Gasket
8	93-0362	1	Bolt
9	127-2992	1	Joint

Ref.	Part Number	Qty.	Description
10	127-3155	1	Pipe-Lube, Oil
11	127-3003	1	Elbow
12	127-3169	2	Clamp-Hose
13	125-7198	1	O-Ring
14	125-7208	2	Bolt
15	125-7105	4	Check Valve ASM
21	125-7098	4	Nozzle
22	125-7182	4	Pin-Spring



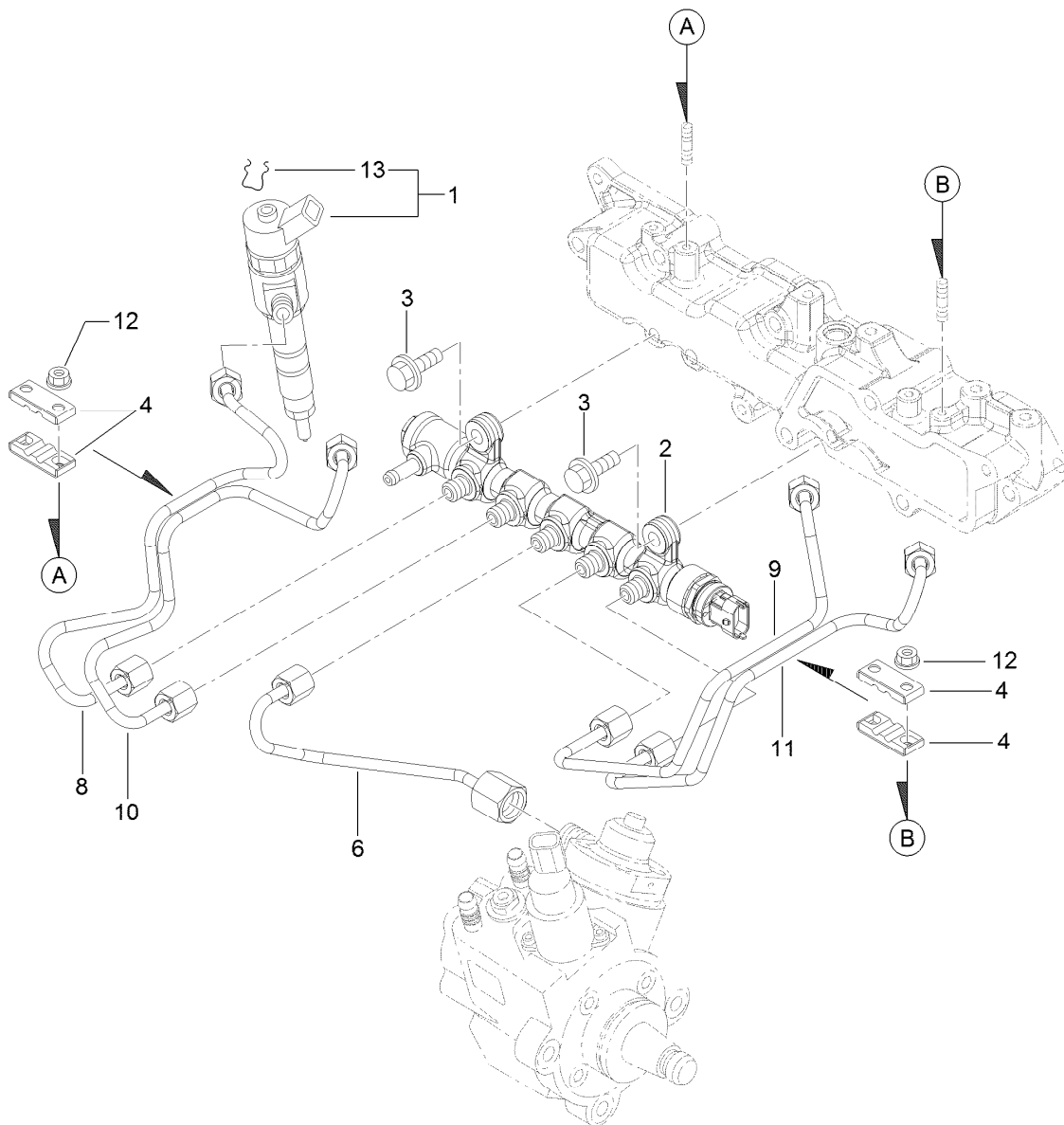
## Cooling Water System Assembly

Ref.	Part Number	Qty.	Description	Ref.	Part Number	Qty.	Description
1	127-3071	1	Water Pump ASM	25	125-7206	4	Bolt
3	125-6998	1	Gasket	26	125-7029	1	Thermostat
4	125-6999	1	Plate	27	125-7026	1	Gasket
9	127-3017	1	Joint	28	125-7034	1	Cover
10	125-7123	2	Plug	29	125-7110	1	Gasket
11	127-3175	1	Plug	30	125-7594	2	Bolt
12	125-7195	1	Plug	31	125-6953	1	Plug
13	125-7234	3	Screw	32	125-7124	1	Sensor-Thermostat, CW
14	125-7047	1	Gasket	33	125-6979	1	Gasket
15	125-6986	1	Joint	34	125-7176	1	Washer-Seal
16	125-7048	1	O-Ring	35	127-3017	1	Joint
17	125-6978	1	Gasket	36	127-3072	1	Water In Pipe ASM
18	125-7192	1	Gasket	38	127-3020	2	Clip-Hose
19	93-0362	1	Bolt	40	127-3115	1	Water Out Pipe ASM
20	125-7214	3	Bolt	41	127-3020	2	Clip-Hose
21	125-7219	1	Bolt	43	127-3116	1	Water Out Pipe ASM
22	125-7222	3	Bolt	44	127-3020	2	Clip-Hose
23	125-7039	1	V-Pulley	47	127-3117	1	Pipe-Out, CW
24	127-2998	1	V-Belt	48	125-7214	2	Bolt



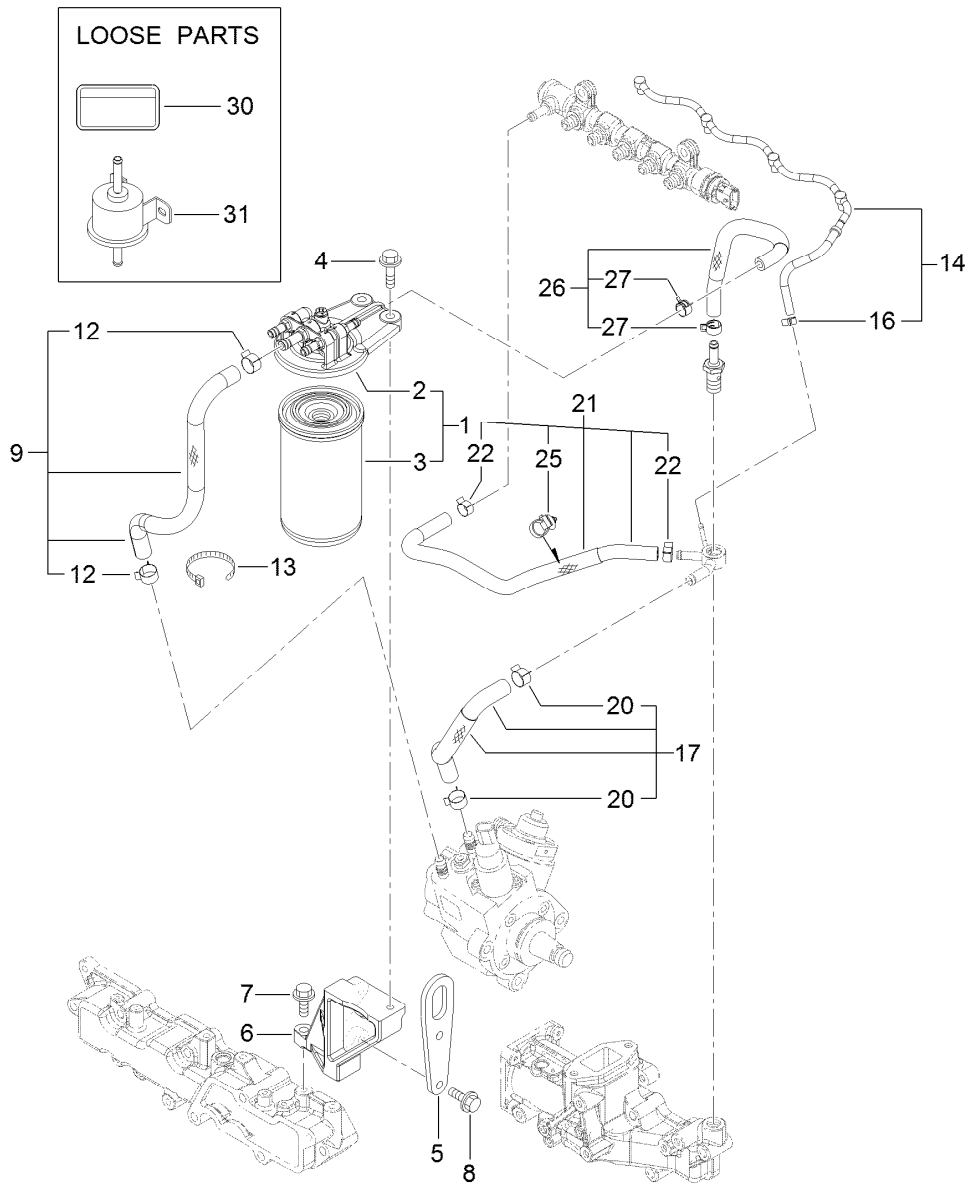
## Fuel System Assembly

<i>Ref.</i>	<i>Part Number</i>	<i>Qty.</i>	<i>Description</i>
1	127-3073	1	Fuel Pump ASM
2	127-3074	1	O-Ring
3	125-7216	3	Bolt



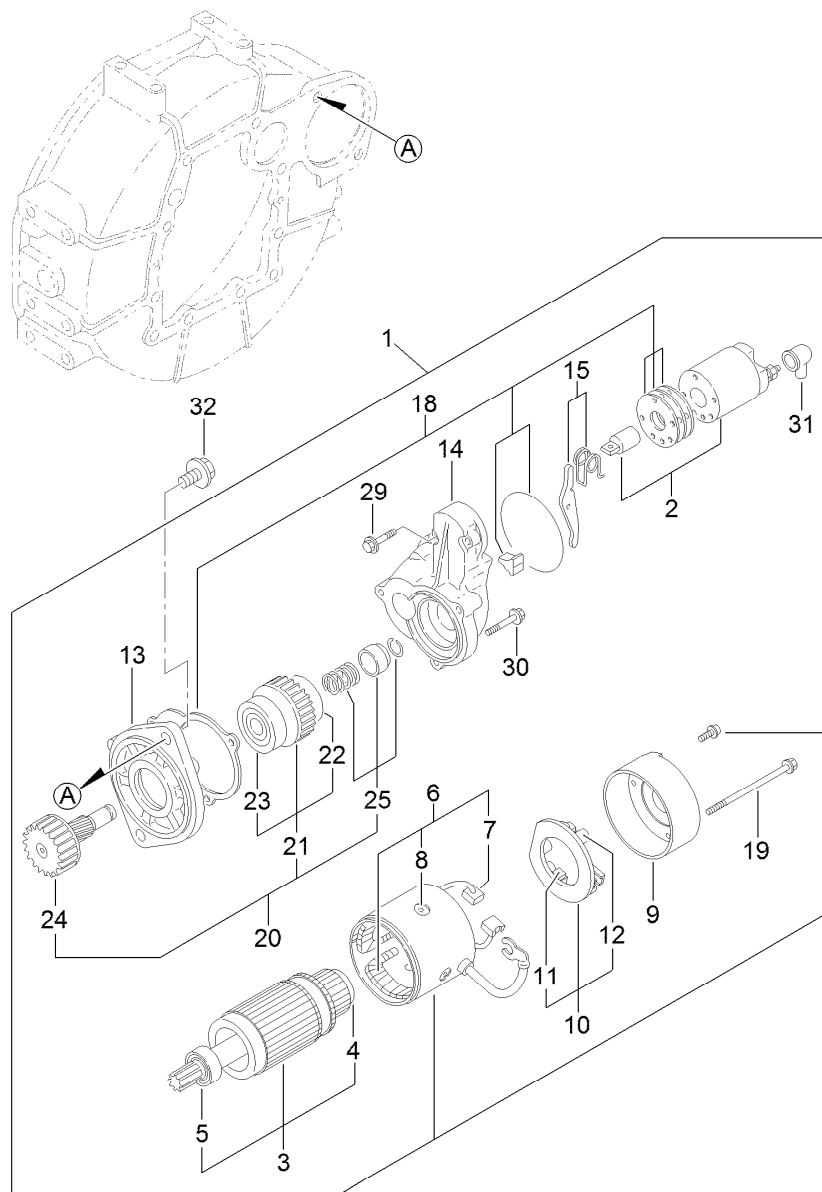
## Fuel Injection Valve Assembly

Ref.	Part Number	Qty.	Description
1	127-3104	4	Injector ASM
2	127-3118	1	Rail ASM
3	125-7215	2	Bolt
4	127-2982	4	Retainer
6	127-3082	1	Rail In Pipe ASM
8	127-3121	1	Injection Pipe ASM
9	127-3083	1	Injection Pipe ASM
10	127-3122	1	Injection Pipe ASM
11	127-3084	1	Injection Pipe ASM
12	125-7231	4	Nut
13	130-7430	4	Ring-Retaining



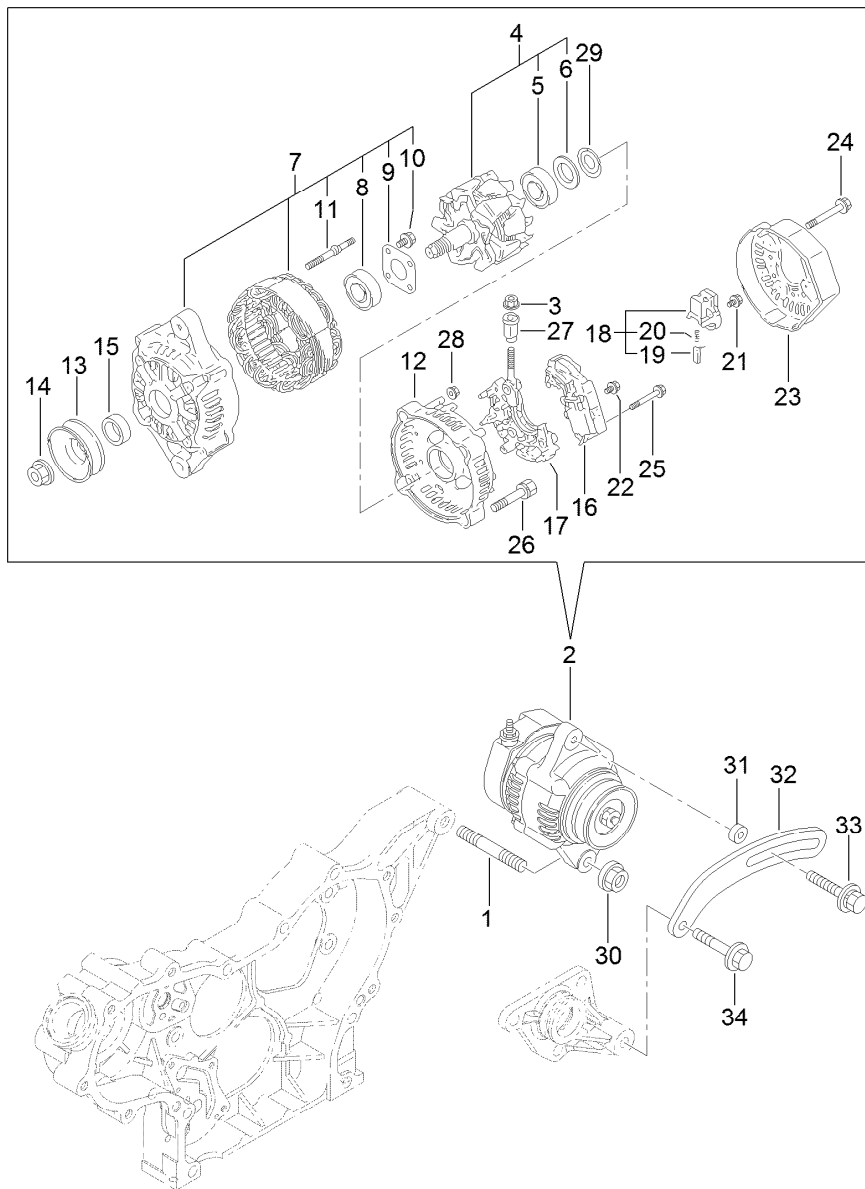
## Fuel Line Assembly

Ref.	Part Number	Qty.	Description	Ref.	Part Number	Qty.	Description
1	127-3075	1	Fuel/Oil Filter ASM	14	127-3120	1	Fuel Pipe ASM
2	127-3076	1	Fuel/Oil Filter Bracket ASM	16	127-3172	1	Clamp-Hose
3	125-8752	1	Filter-Fuel/Oil	17	127-3078	1	Fuel Pipe ASM
4	125-7216	2	Bolt	20	125-7191	2	Clamp-Hose
5	127-3091	1	Lifter-Engine	21	127-3119	1	Fuel Pipe ASM
6	127-3105	1	Stay-Bracket, Filter	22	127-2950	2	Clip-Hose
7	125-7215	1	Bolt	25	127-3087	1	Band-Clip
8	125-7216	2	Bolt	26	127-3079	1	Fuel Pipe ASM
9	127-3077	1	Fuel Pipe ASM	27	127-2950	2	Clip-Hose
12	125-7191	2	Clamp-Hose	30	125-6900	1	Label-Caution, Fuel Oil
13	127-2981	1	Band	31	127-3008	1	Fuel Feed Pump ASM



## Starting Motor Assembly

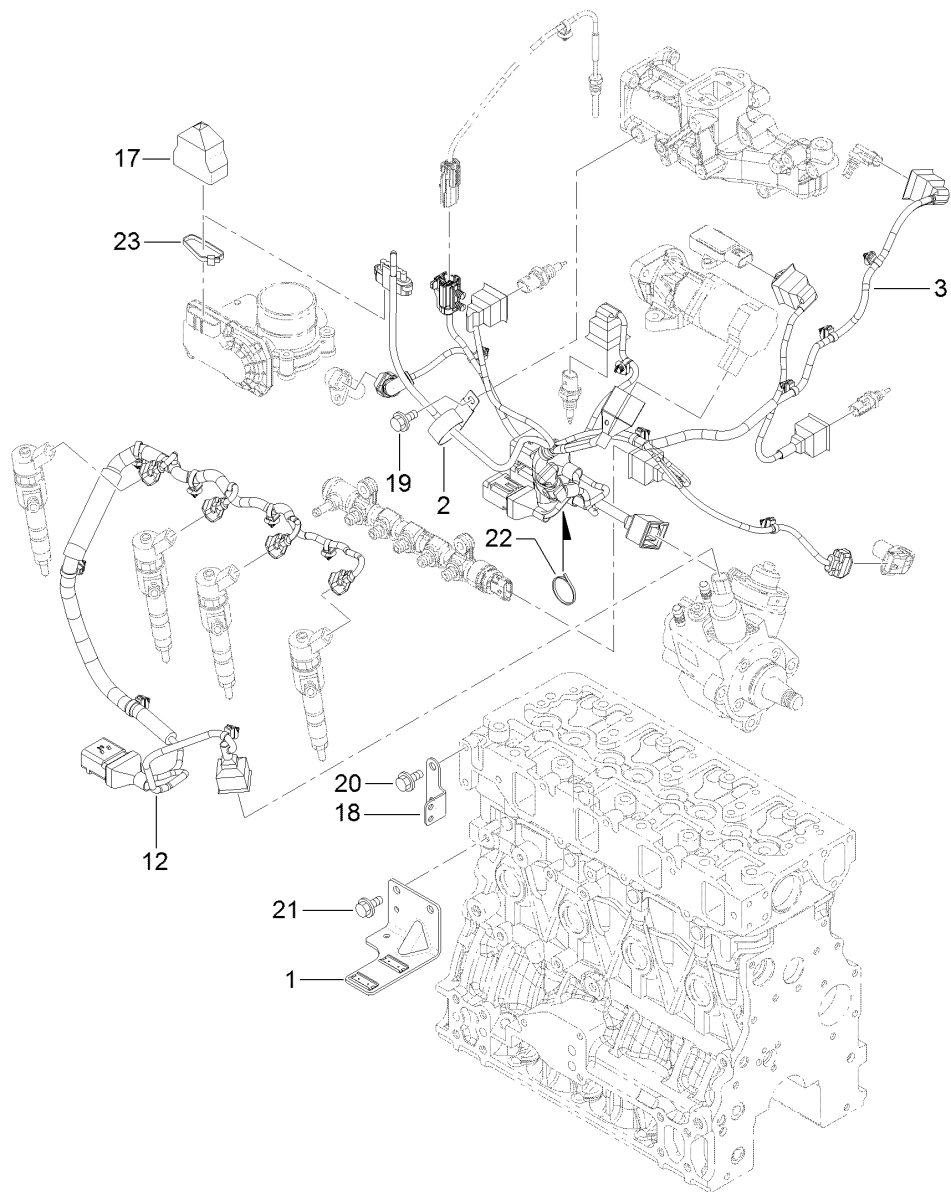
<i>Ref.</i>	<i>Part Number</i>	<i>Qty.</i>	<i>Description</i>	<i>Ref.</i>	<i>Part Number</i>	<i>Qty.</i>	<i>Description</i>
1	125-7003	1	Starter	15	125-7165	1	Lever Set
2	125-7004	1	Switch ASM	18	125-7037	1	Dust Cover ASM
3	125-7112	1	Armature ASM	19	125-7117	2	Bolt-Through
4	125-7252	1	Bearing-Ball	20	125-7166	1	Pinion ASM
5	125-7249	1	Bearing, Ball	21	125-7250	1	Clutch ASM
6	125-7113	1	Field Coil ASM	22	125-7251	1	Bearing-Ball
7	125-7114	2	Brush	23	125-7253	1	Bearing-Ball
8	125-7163	4	Screw	24	125-7167	1	Shaft
9	125-7115	1	Cover	25	125-7168	1	Stopper Set
10	125-7116	1	Brush Holder ASM	29	125-7210	2	Bolt
11	125-7114	2	Brush	30	125-7211	3	Bolt
12	125-7036	4	Spring	31	125-7169	1	Cover
13	125-7164	1	Case-Gear	32	125-7225	2	Bolt
14	125-7005	1	Housing				



## Generator Assembly

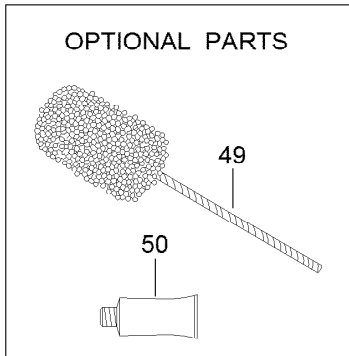
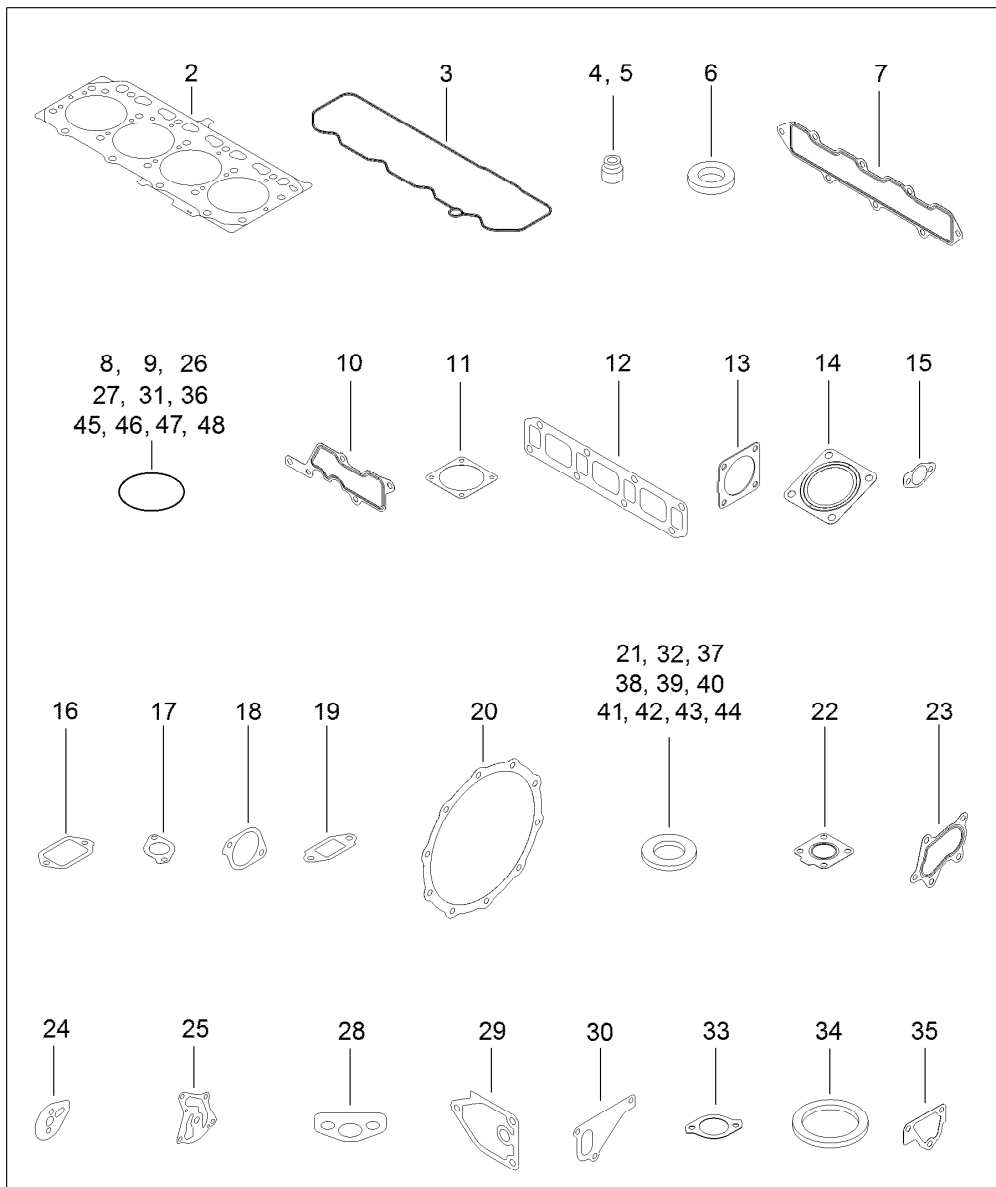
Ref.	Part Number	Qty.	Description	Ref.	Part Number	Qty.	Description
1	127-3011	1	Stud	18	127-2993	1	Holder
2	127-3001	1	Generator	19	127-2956	2	Brush ASM
3	127-3190	1	Nut	20	127-2964	2	Spring
4	127-2951	1	Rotor ASM	21	127-2965	6	Screw
5	127-2983	1	Bearing-Ball	22	127-2966	1	Screw
6	127-2962	1	Cover	23	127-2999	1	Cover
7	127-2952	1	Frame ASM	24	127-2967	3	Bolt
8	127-2958	1	Bearing-Ball	25	127-2968	2	Screw
9	127-2959	1	Plate-Retainer	26	127-2969	2	Bolt
10	127-2960	4	Screw	27	127-2970	1	Bushing-Insulation
11	127-2961	2	Stud	28	127-2971	2	Nut
12	127-2953	1	Frame ASM	29	127-2972	1	Washer
13	127-2954	1	Pulley	30	125-7230	1	Nut
14	127-2955	1	Nut	31	125-6947	1	Spacer
15	127-2957	1	Collar	32	127-2977	1	Adjuster
16	127-3002	1	Regulator ASM	33	125-7134	1	Bolt
17	127-2963	1	Holder	34	125-7219	1	Bolt





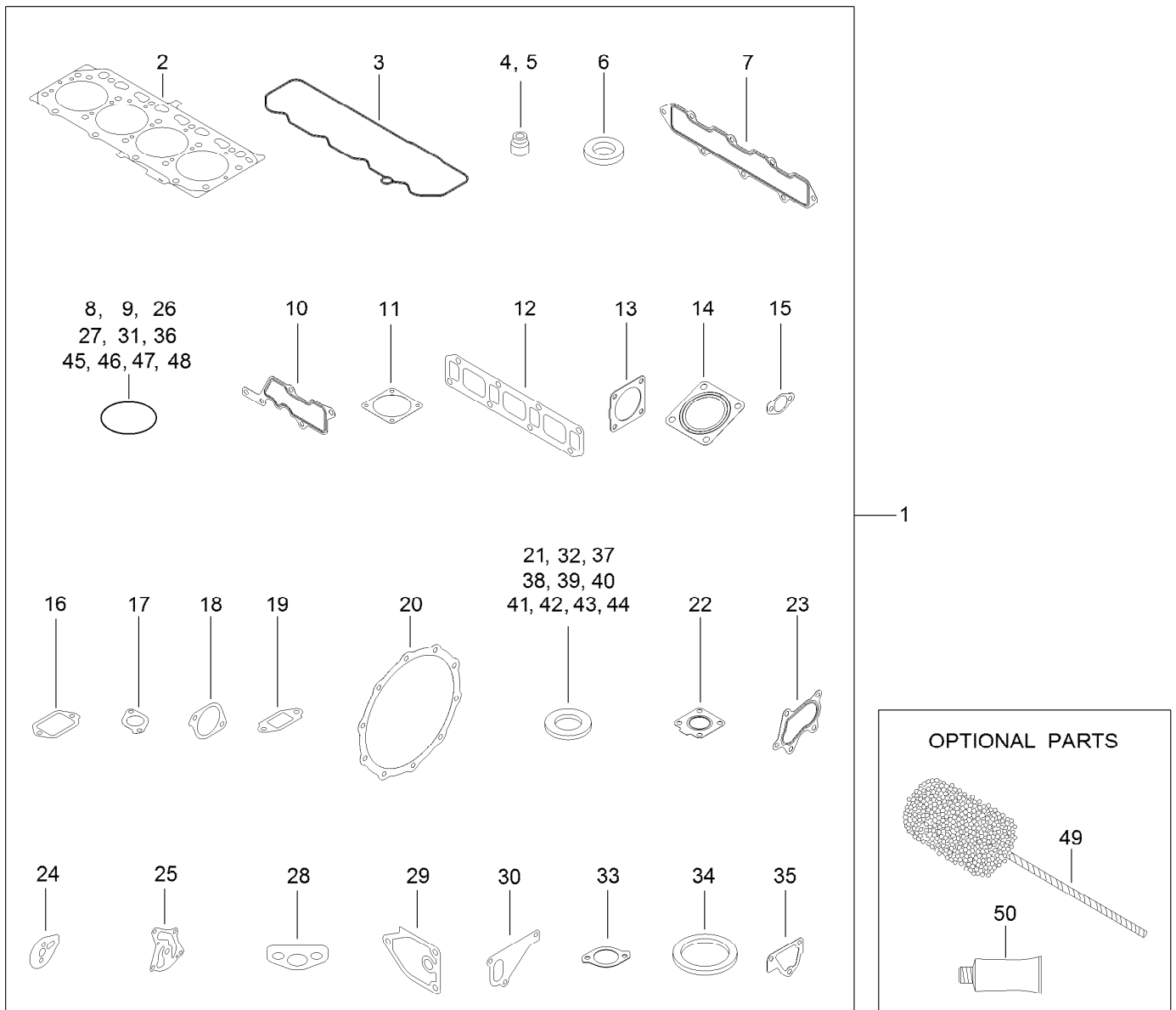
## Electric Parts Assembly

<b>Ref.</b>	<b>Part Number</b>	<b>Qty.</b>	<b>Description</b>
1	127-3086	1	Bracket-Connector
2	127-3018	1	Clip
3	127-3156	1	Harness B-E C O, Engine
12	127-3125	1	Harness C
17	127-3089	1	Boot-Type, Cap
18	127-3090	1	Bracket-Harness
19	93-0362	1	Bolt
20	93-0362	2	Bolt
21	93-0362	2	Bolt
22	127-3187	1	Band
23	127-3188	1	Band



## Gasket Set

Ref.	Part Number	Qty.	Description	Ref.	Part Number	Qty.	Description
1	127-3189	1	Gasket Kit	22	125-7070	1	Gasket
2	127-3126	1	Gasket-Head, Cylinder	23	125-7071	1	Gasket
3	127-3106	1	Gasket-Cover	24	127-3069	1	Gasket-Idle, Shaft B
4	127-2986	4	Seal-Stem, Valve	25	127-3004	1	Gasket
5	127-3027	4	Seal-Stem, Valve	26	125-6909	2	O-Ring
6	127-3021	4	Gasket-Injector	27	127-2973	1	O-Ring
7	127-3107	1	Gasket-Manifold, Intake	28	125-7022	1	Gasket
8	127-3032	2	O Ring-Sensor, Pressure	29	125-7024	1	Gasket
9	127-3033	1	O-Ring	30	125-7047	1	Gasket
10	127-3034	1	Gasket-Collector	31	125-7048	1	O-Ring
11	127-3037	2	Gasket-Throttle	32	125-6979	1	Gasket
12	127-3108	1	Gasket-Manifold, Exhaust	33	125-7110	1	Gasket
13	127-3019	1	Gasket	34	125-7026	1	Gasket
14	127-2987	1	Gasket-Silencer	35	125-6978	1	Gasket
15	127-3043	2	Gasket-Cooler, E G R	36	127-3074	1	O-Ring
16	127-3046	1	Gasket-E G R	37	125-7174	1	Washer-Seal
17	127-3016	1	Gasket	38	125-7175	2	Washer-Seal
18	127-3050	1	Gasket-Intake Valve, E G R	39	125-7176	1	Washer-Seal
19	127-3051	1	Gasket-Out Valve, E G R	40	127-3166	2	Washer-Seal
20	127-3162	2	Gasket-D P F	41	125-7177	1	Washer-Seal
21	127-3056	4	Gasket-Sensor	42	125-7192	1	Gasket



## Gasket Set (continued)

<i>Ref.</i>	<i>Part Number</i>	<i>Qty.</i>	<i>Description</i>	<i>Ref.</i>	<i>Part Number</i>	<i>Qty.</i>	<i>Description</i>
43	125-7193	2	Gasket	47	125-7198	1	O-Ring
44	127-3174	2	Gasket	48	127-3176	1	O-Ring
45	93-0418	3	O-Ring	49	127-3000	1	Hone
46	125-7197	1	O-Ring	50	125-7248	1	Gasket-Liquid

# Attachments and Accessories

## For 30882 Groundsmaster 4700-D Traction Unit

<b>Product Name</b>	<b>Model/Part</b>
Blade-High Lift .....	104-5183
Blade-Angle Sail .....	105-9810-03
Blade-Atomic .....	107-0235-03
Premium All Season Hydraulic Fluid (55 Gallon Drum) .....	108-1177
Premium All Season Hydraulic Fluid (5 Gallon Pail).....	108-1178
Premium All Purpose Grease (Tube) .....	108-1190
27in Blade Service Pack .....	108-1464
Blade-Combo.....	108-9026-03
Operator Fan Kit - US Sales Only, 3in ROPS Post .....	110-8804
Sectional Roller Assembly .....	117-5121
Windscreen Kit .....	117-9440
Extension Kit for 2-Post ROPS .....	119-0020
Premium Synthetic Bio-Degradable Hydraulic Fluid (5 Gallon Pail) .....	119-2157
Premium Synthetic Bio-Degradable Hydraulic Fluid (55 Gallon Drum).....	119-2158
Universal Sunshade .....	30349
400 Hour MVP Kit .....	30408
CE Light Kit.....	30491
27in Rotary Cutting Unit.....	30834
Leaf Mulching Kit .....	30836
Cab Kit.....	30860
Flow Divider Kit.....	30876

**Notes:**

**Notes:**

**Notes:**



**Count on it.**