



Count on it.

Parts Catalog

17in Curved-Shaft Gas Trimmer

Model No. 51958—Serial No. 32000001 and Up



Ordering Replacement Parts

To order replacement parts, please supply the part number, the quantity, and the description of each part desired.

Understanding Reference Numbers

Each identified part in an illustration has a reference number. The reference number for a part also appears in the parts list, along with other information about the part.

This catalog uses two special reference number formats, one to indicate parts in a service assembly and another to indicate the quantity of a given part in an illustration.

Service Assembly Reference Numbers

Parts in service assemblies have reference numbers in the form a:b. The a represents the reference number of the entire service assembly and the b represents a sequential number unique to each part within the service assembly.

For example, a wheel assembly might be identified by reference number 6, the tire by 6:1, the valve by 6:2, and the wheel by 6:3. When you order the assembly identified by reference number 6, you receive all parts identified by reference numbers 6:1, 6:2, and 6:3. However, you may also order any part individually. Reference numbers of this type appear in illustration and in parts lists.

Reference Numbers Indicating Quantity

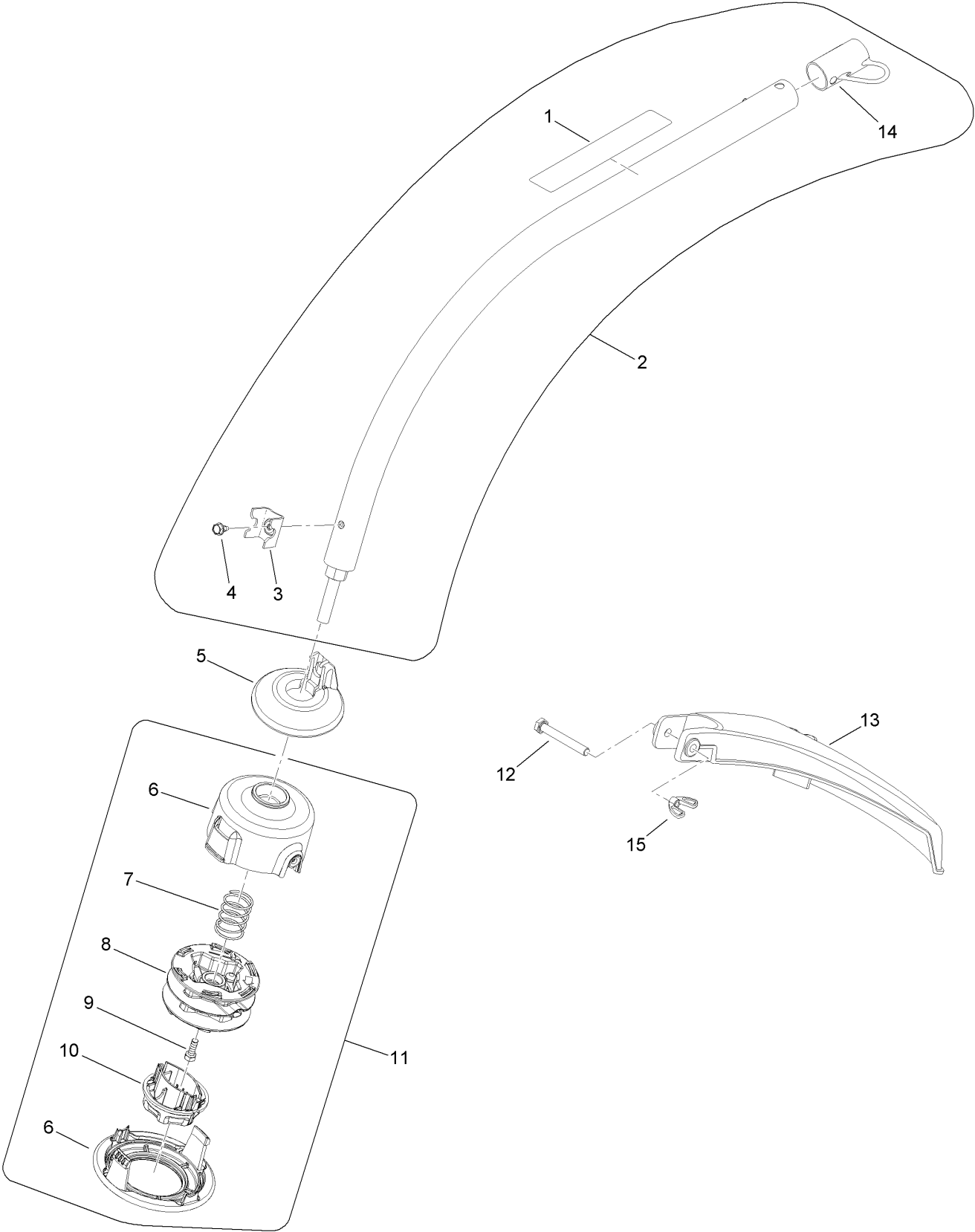
In an illustration, if a reference number indicates more than one part, the reference number has the form nX y. The n represents the quantity of the part, the X is the multiplication symbol, and the y represents the reference number.

For example, in an illustration, the reference number 2X 37 means that two of the parts identified by reference number 37 are indicated.

Contents

- Trimmer Head, Shaft and Guard Assembly 4
- Upper Shaft, Handle and Power Head Assembly 6
- Power Head Components Assembly 8
- Attachments and Accessories 10

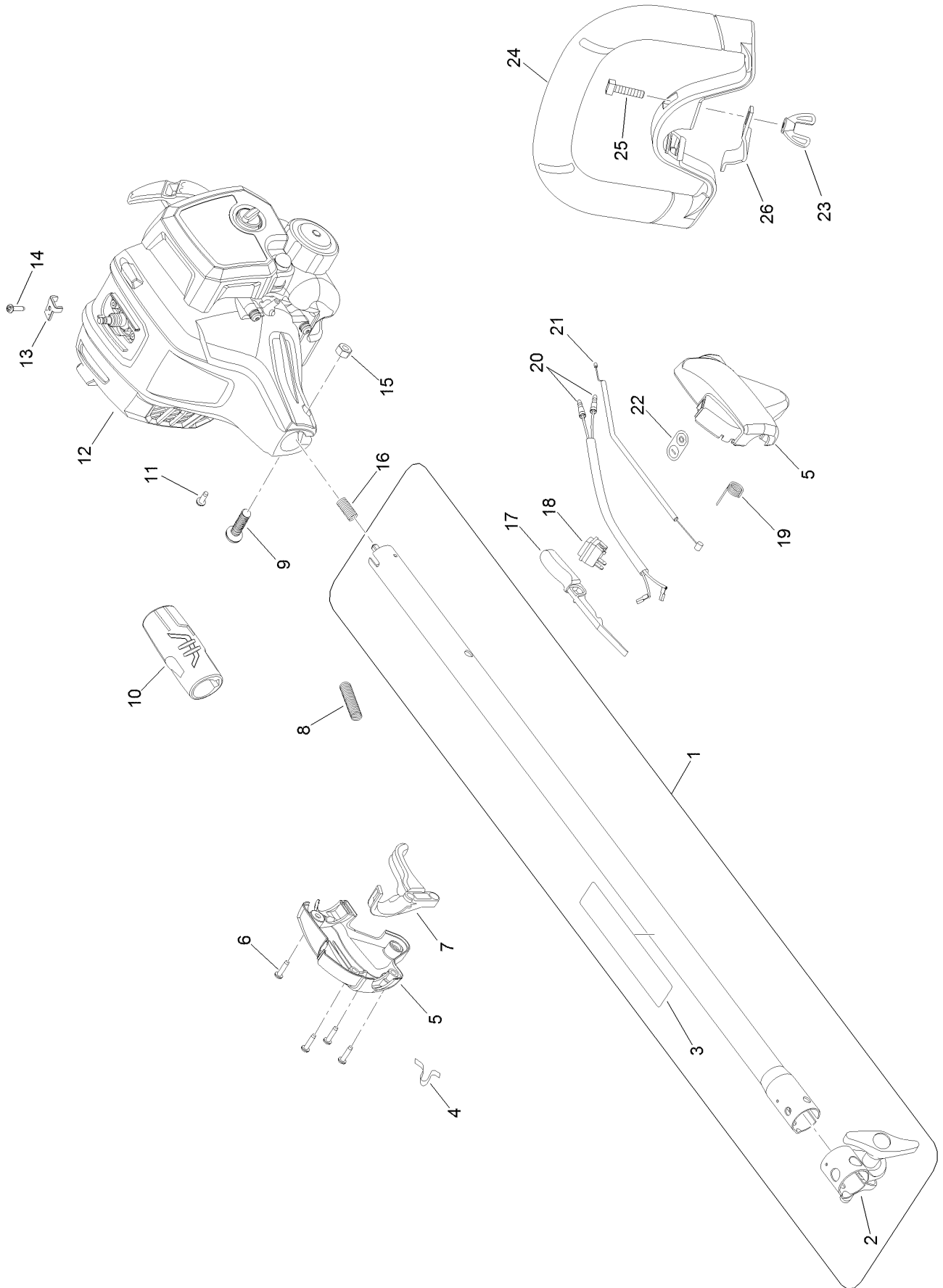
Trimmer Head, Shaft and Guard Assembly



Trimmer Head, Shaft and Guard Assembly (continued)

<i>Ref.</i>	<i>Part Number</i>	<i>Qty.</i>	<i>Description</i>	<i>Ref.</i>	<i>Part Number</i>	<i>Qty.</i>	<i>Description</i>
1	940657165	1	Decal-Warning	9	660650001	1	Bolt
2	308841018	1	Shaft ASM	10	518803003	1	Knob-Bump
3	638001001	1	Clamp	11	309034006	1	Spool Head ASM
4	660647001	1	Screw-HWH	12	660643009	1	Screw
5	522702001	1	Shield-Grass	13	308052010	1	Guard-Shield, Grass
6	308827003	1	Housing-Stringhead	14	519019004	1	Hanger Cap
7	678749001	1	Spring-Compression	15	518949001	1	Nut-Wing
8	308924001	1	Spool ASM				

Upper Shaft, Handle and Power Head Assembly

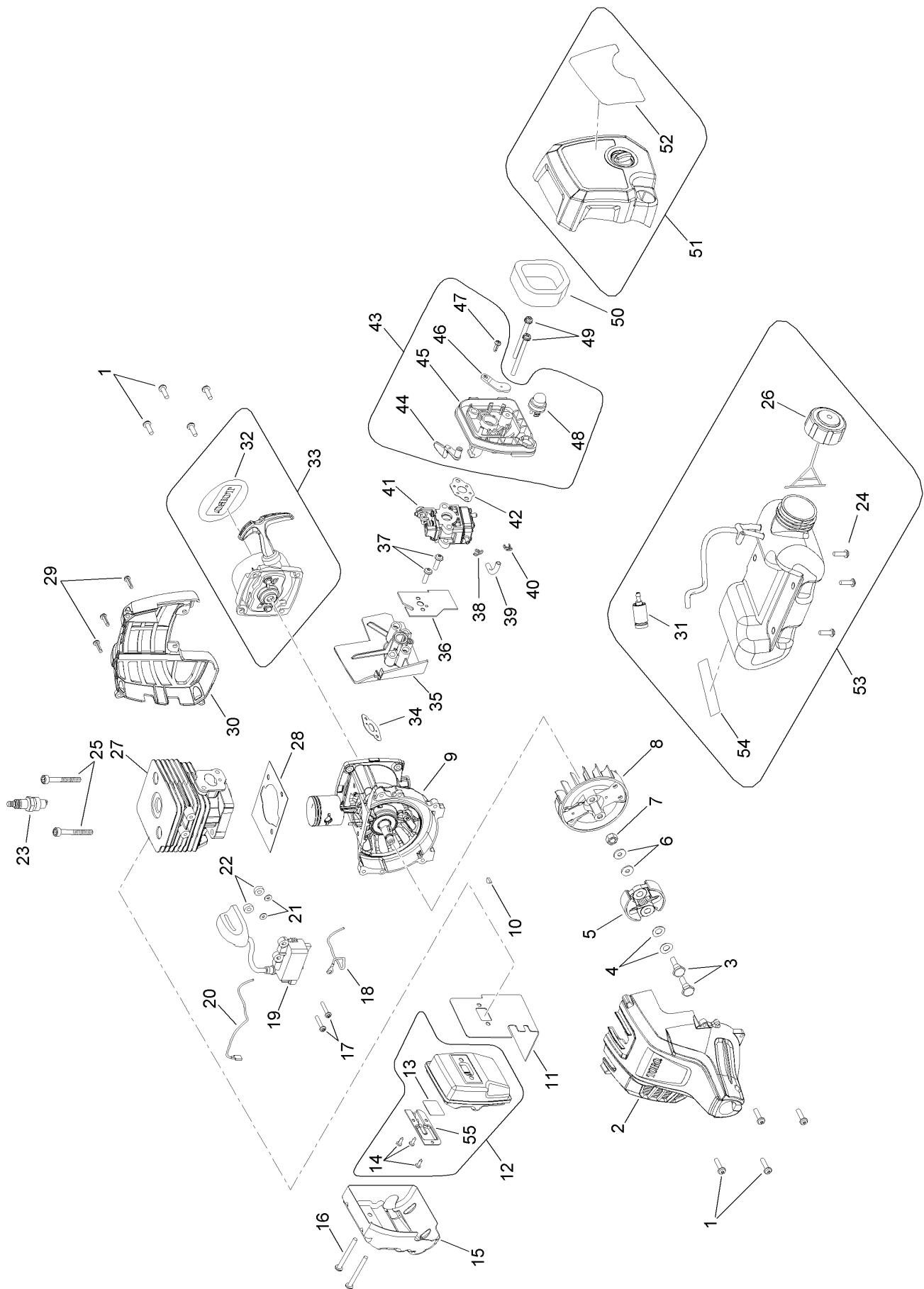


Upper Shaft, Handle and Power Head Assembly (continued)

<i>Ref.</i>	<i>Part Number</i>	<i>Qty.</i>	<i>Description</i>	<i>Ref.</i>	<i>Part Number</i>	<i>Qty.</i>	<i>Description</i>
1	308159025	1	Upper Shaft ASM	13	638133001	1	Clamp-Cable, Throttle
2	308045014	1	Shaft Clamp ASM	14	660734001	1	Screw
3	940657164	1	Decal-Warning	15	678029002	1	Nut-Hex
4	638431001	1	Clip-Strap, Shoulder	16	690140011	1	Spring-Compression
5	308869003	1	Control Handle ASM	17	518695017	1	Lock-Trigger
6	660563002	4	Screw	18	760961005	1	Switch-On/Off
7	518696017	1	Trigger	19	690694002	1	Spring-Trigger
8	518210004	1	Tube-Corrugated	20	308863029	1	Lead
9	T660697001	1	Screw	21	308225011	1	Cable-Throttle
10	570234016	1	Grip-Shaft, Upper	22	940864003	1	Label-On/Stop
11	660925011	1	Screw	23	518949001	1	Nut-Wing
12		1	Power Head ASM Not Serviced Separately, For Replacement Parts See Power Head Components Assembly ●	24	526760001	1	Handle-Shaft, Upper
				25	660857001	1	Screw
				26	639167001	1	Clamp-Handle, Upper Shaft

● Not serviced separately

Power Head Components Assembly



Power Head Components Assembly (continued)

<i>Ref.</i>	<i>Part Number</i>	<i>Qty.</i>	<i>Description</i>	<i>Ref.</i>	<i>Part Number</i>	<i>Qty.</i>	<i>Description</i>
1	660344001	8	Screw-PH	29	660466001	3	Screw
2	300754031	1	Housing-Engine, Front	30	591644002	1	Housing-Engine, Rear
3	660353001	2	Screw-Clutch	31	310976001	4	Filter-Fuel
4	690696001	2	Washer-Curved	32	940865001	1	Plate-Logo
5	307091001	1	Clutch ASM	33	308430016	1	Recoil Starter And Starter Cup ASM
6	690695001	2	Washer	34	903279002	1	Gasket-Heat Dam
7	690689001	1	Nut-Rotor	35	532001001	1	Heat Dam
8	640574002	1	Rotor	36	901697001	1	Gasket
9	300749010	1	Crankcase ASM	37	T66221002	2	Screw And Washer
10	690688001	1	Key-Woodruff	38	690700001	1	Clip-Hose
11	630002032	1	Gasket-Muffler	39	562967010	1	Fuel Line 45Mm
12	300748064	1	Muffler Assembly	40	690699001	1	Clip-Hose
13	638268001	1	Screen	41	308480001	1	Carburetor ASM
14	660870001	3	Screw-PH	42	9071103	1	Gasket-Carburetor
15	638027002	1	Shield-Heat	43	308478004	1	Filter Housing ASM
16	660347001	2	Screw-PH	44	590458001	1	Lever-Choke
17	660968004	2	Screw And Washer	45	518130001	1	Plate-Carburetor
18	290143002	1	Wire-Lead, Red	46	590946001	1	Plate-Choke
19	290178024	1	Coil Boot ASM	47	660345001	1	Screw-PH
20	290143001	1	Wire-Lead, Black	48	300780002	1	Primer ASM
21	690969001	2	Washer	49	660454015	2	T20 Torx Cap Soc HD
22	590462001	2	Spacer	50	560873001	1	Element-Filter, Air
23	870170001	1	Spark Plug	51	308890002	1	Cover ASM
24	660970002	3	T25 Torx Pan Head	52	940686148	1	Decal-Start
25	660342001	2	Screw-Socket Head	53	205309002	1	Fuel Tank And Cap ASM
26	310816020	1	Cap-Fuel	54	941019010	1	Combustion Warning Label
27	642368001	1	Cylinder	55	638267001	1	Cover-Trimmer
28	900709007	1	Gasket				

Attachments and Accessories

For 51958 17in Curved-Shaft Gas Trimmer

Product Name	Model/Part
Spark Arrestor Kit	000998216
High Altitude Kit	120900107

Notes:



Count on it.