



Count on it.

Parts Catalog

MB TX 2500

Tracked Mud Buggy

Model No. 68138—Serial No. 405400000 and Up



Ordering Replacement Parts

To order replacement parts, please supply the part number, the quantity, and the description of each part desired.

Understanding Reference Numbers

Each identified part in an illustration has a reference number. The reference number for a part also appears in the parts list, along with other information about the part.

This catalog uses two special reference number formats, one to indicate parts in a service assembly and another to indicate the quantity of a given part in an illustration.

Service Assembly Reference Numbers

Parts in service assemblies have reference numbers in the form a:b. The a represents the reference number of the entire service assembly and the b represents a sequential number unique to each part within the service assembly.

For example, a wheel assembly might be identified by reference number 6, the tire by 6:1, the valve by 6:2, and the wheel by 6:3. When you order the assembly identified by reference number 6, you receive all parts identified by reference numbers 6:1, 6:2, and 6:3. However, you may also order any part individually. Reference numbers of this type appear in illustration and in parts lists.

Reference Numbers Indicating Quantity

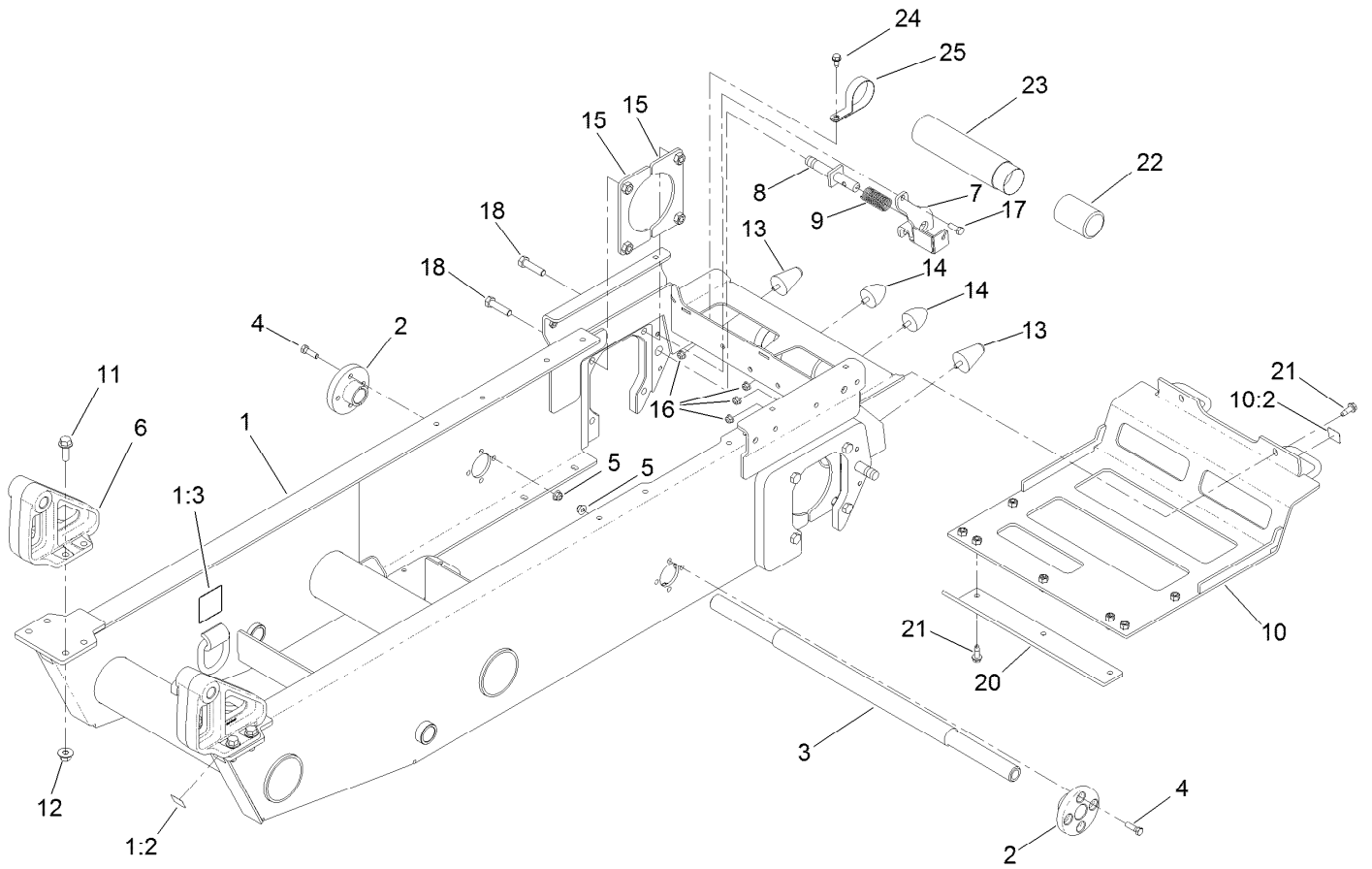
In an illustration, if a reference number indicates more than one part, the reference number has the form nX y. The n represents the quantity of the part, the X is the multiplication symbol, and the y represents the reference number.

For example, in an illustration, the reference number 2X 37 means that two of the parts identified by reference number 37 are indicated.

Contents

| | |
|---|----|
| Frame Assembly | 4 |
| Hydraulic Pump Assembly | 6 |
| RH Hydro Transaxle Assembly No. 132-8803 | 8 |
| LH Hydro Transaxle Assembly No. 132-8802 | 10 |
| Hydraulic Manifold Assembly No. 132-8989 | 12 |
| Engine Assembly | 14 |
| Hydraulic Gear Pump Assembly No. 132-8954 | 16 |
| Fuel Tank and Tower Assembly | 18 |
| Track Assembly | 20 |
| Hopper Assembly | 22 |
| Electrical Harness Assembly | 24 |
| Control Assembly | 26 |
| Platform Assembly | 28 |
| Hood Assembly | 30 |
| Attachments and Accessories | 32 |

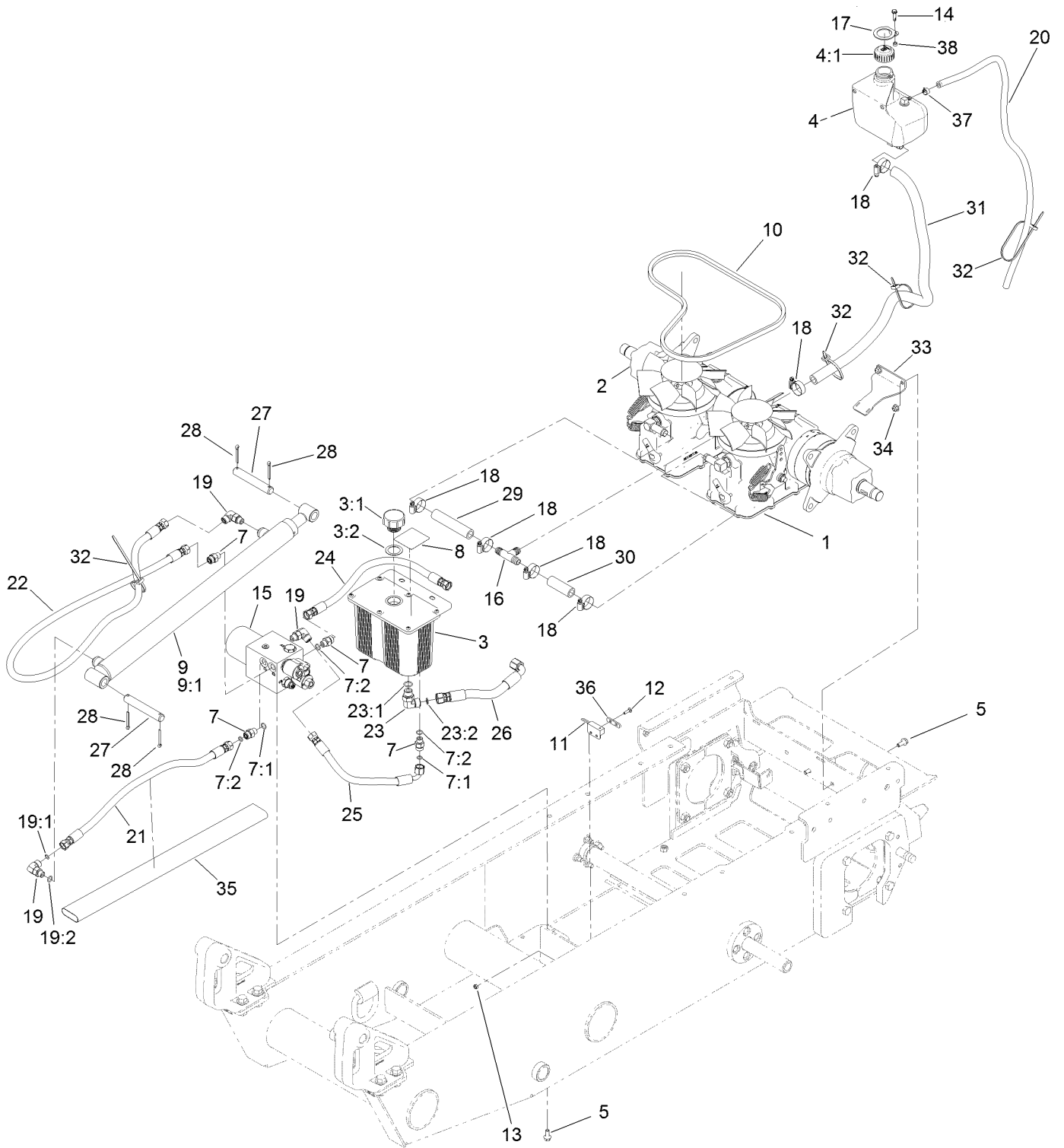
Frame Assembly



Frame Assembly (continued)

| <i>Ref.</i> | <i>Part Number</i> | <i>Qty.</i> | <i>Description</i> | <i>Ref.</i> | <i>Part Number</i> | <i>Qty.</i> | <i>Description</i> |
|-------------|--------------------|-------------|--------------------|-------------|--------------------|-------------|--------------------------|
| 1 | 136-4650 | 1 | Frame ASM | 12 | 32128-52 | 8 | Nut-Lock, Flange |
| 1:2 | 132-9051 | 2 | Decal-Tiedown | 13 | 114-1925 | 2 | Bumper-Rubber |
| 1:3 | 125-4967 | 2 | Decal-Lift Here | 14 | 114-1926 | 2 | Bumper-Rubber |
| 2 | 132-9075 | 2 | Hub-Mount, Track | 15 | 132-8936-03 | 4 | Hydro Mounting Plate ASM |
| 3 | 125-0425 | 1 | Shaft-Track | 16 | 104-8300 | 4 | Nut-HF, NI |
| 4 | 323-7 | 8 | Screw-HH | 17 | 323-6 | 4 | Screw-HH |
| 5 | 104-8301 | 8 | Nut-HF, NI | 18 | 325-8 | 8 | Screw-HH |
| 6 | 132-9025-03 | 2 | Pivot-Dump | 20 | 136-4611-03 | 1 | Plate-Skid |
| 7 | 130-5284-03 | 2 | Bracket-Brake | 21 | 105-6245 | 9 | Screw-Tapping |
| 8 | 132-8866 | 2 | Shaft-Brake | 22 | 104-7048 | 1 | Cap-Housing |
| 9 | 125-0344 | 2 | Spring-Compression | 23 | 104-7050 | 1 | Tube-Manual |
| 10 | 136-4651 | 1 | Plate-Side | 24 | 32144-70 | 2 | Screw-HWHTF |
| 10:2 | 132-9051 | 2 | Decal-Tiedown | 25 | 2412-133 | 2 | Clamp-R |
| 11 | 130-6482 | 8 | Screw-HHF | | | | |

Hydraulic Pump Assembly

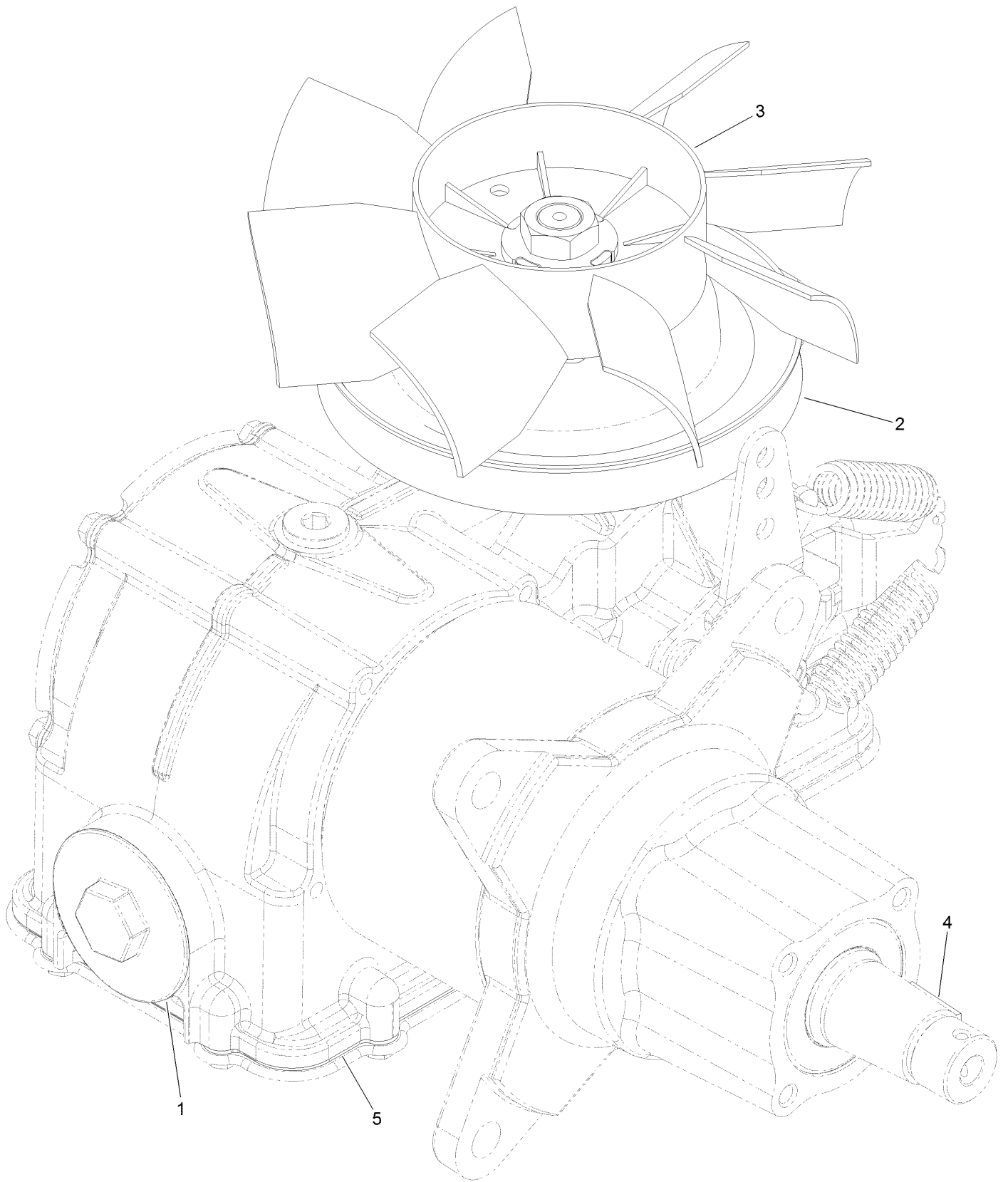


Hydraulic Pump Assembly (continued)

| <i>Ref.</i> | <i>Part Number</i> | <i>Qty.</i> | <i>Description</i> | <i>Ref.</i> | <i>Part Number</i> | <i>Qty.</i> | <i>Description</i> |
|-------------|--------------------|-------------|------------------------|-------------|--------------------|-------------|--------------------------------|
| 1 | 132-8802 | 1 | LH Hydro Transaxle ASM | 19:1 | 237-22 | 1 | O-Ring |
| 2 | 132-8803 | 1 | RH Hydro Transaxle ASM | 19:2 | 237-42 | 1 | O-Ring |
| 3 | 109-0448 | 1 | Tank-Hydraulic | 20 | 132-7563 | 1 | Hose-Breather, Transmission |
| 3:1 | 103-1948 | 1 | Cap-Reservoir, HYD | 21 | 132-8941 | 1 | Hose-Hydraulic |
| 3:2 | 103-1949 | 1 | Gasket-Cap | 22 | 132-8942 | 1 | Hose-Hydraulic |
| 4 | 138-3164 | 1 | Tank-Hydraulic | 23 | 340-98 | 1 | Fitting-Elbow, 90 DEG |
| 4:1 | 133-8677 | 1 | Cap-Vented | 23:1 | 237-79 | 1 | O-Ring |
| 5 | 3234-47 | 5 | Screw-HHF | 23:2 | 237-30 | 1 | O-Ring |
| 7 | 340-2 | 4 | Fitting-Straight | 24 | 132-8948 | 1 | Hose-Hydraulic |
| 7:1 | 237-22 | 1 | O-Ring | 25 | 132-8949 | 1 | Hose-Hydraulic |
| 7:2 | 237-42 | 1 | O-Ring | 26 | 132-8950 | 1 | Hose-Hydraulic |
| 8 | 115-4212 | 1 | Decal-Warning | 27 | 105-7456 | 2 | Pin-Pivot |
| 9 | 132-8835 | 1 | Cylinder-Hydraulic | 28 | 3272-23 | 4 | Pin-Cotter |
| 9:1 | 132-9084 | 1 | Seal Kit ● | 29 | 132-8933 | 1 | Hose-HYD, Hydro |
| 10 | 138-7157 | 1 | Belt And Spring Kit | 30 | 132-8934 | 1 | Hose-HYD, Hydro |
| 11 | 100-1270 | 1 | Switch-Proximity | 31 | 132-8935 | 1 | Hose-HYD, Hydro |
| 12 | 3229-20 | 2 | Screw-CARR | 32 | 3290-378 | 4 | Tie-Cable |
| 13 | 3296-2 | 2 | Nut-Lock, NI | 33 | 132-9032-03 | 1 | Bracket-Hose Retainer |
| 14 | 137-3711 | 1 | Screw | 34 | 104-8300 | 2 | Nut-HF, NI |
| 15 | 132-8989 | 1 | Hydraulic Manifold ASM | 35 | 100-6127 | 1 | Sleeve-Protective |
| 16 | 132-5127 | 1 | Tee | 36 | 132-9092 | 1 | Plate-Switch, Proximity |
| 17 | 136-0549-01 | 1 | Lock-Tank | 37 | 92-2379 | 1 | Clamp-Hose |
| 18 | 2412-129 | 6 | Clamp-Hose | 38 | 126-0416 | 1 | Spacer |
| 19 | 340-77 | 3 | Fitting-Elbow, 90 DEG | | | | |

● Not illustrated

RH Hydro Transaxle Assembly No. 132-8803

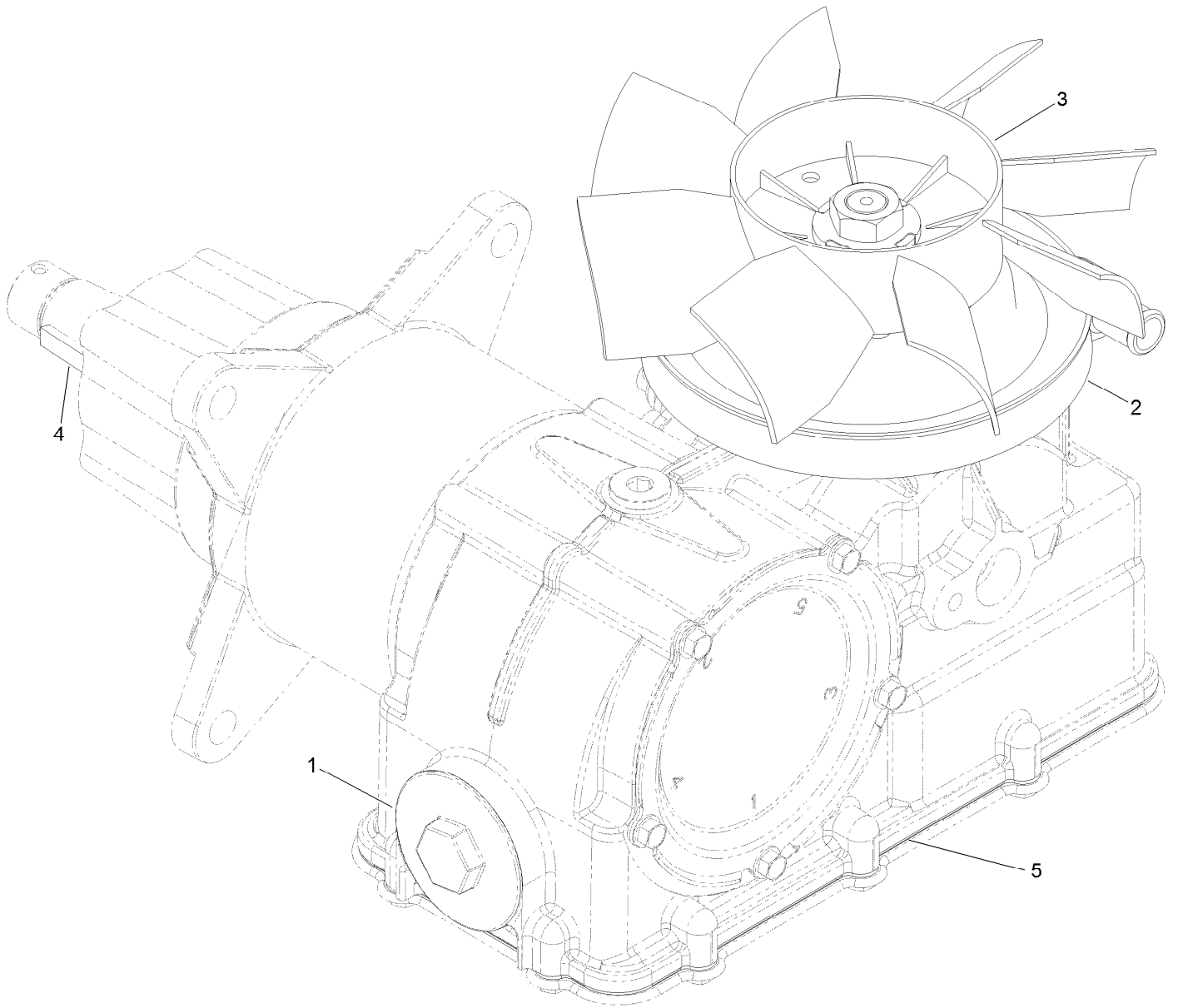


RH Hydro Transaxle Assembly No. 132-8803 (continued)

| <i>Ref.</i> | <i>Part Number</i> | <i>Qty.</i> | <i>Description</i> |
|-------------|--------------------|-------------|--------------------|
| 1 | 137-3772 | 1 | Filter |
| 2 | 137-3773 | 1 | Pulley |
| 3 | 137-3774 | 1 | Fan (8.3 Inch) |

| <i>Ref.</i> | <i>Part Number</i> | <i>Qty.</i> | <i>Description</i> |
|-------------|--------------------|-------------|----------------------|
| 4 | 3257-42 | 1 | Key-Woodruff |
| 5 | 140-1148 | 1 | Gasket-Cover, Bottom |

LH Hydro Transaxle Assembly No. 132-8802

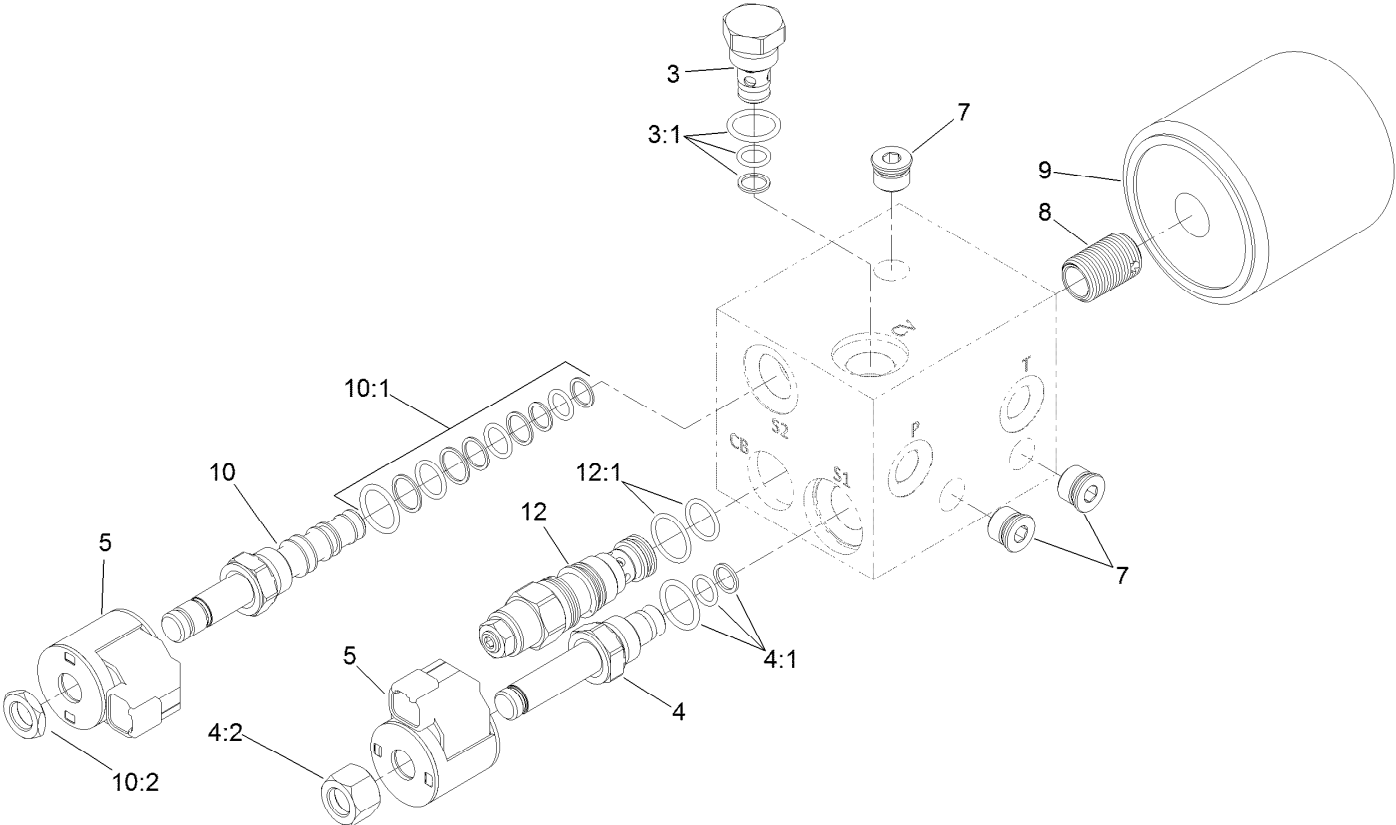


LH Hydro Transaxle Assembly No. 132-8802 (continued)

| <i>Ref.</i> | <i>Part Number</i> | <i>Qty.</i> | <i>Description</i> |
|-------------|--------------------|-------------|--------------------|
| 1 | 137-3772 | 1 | Filter |
| 2 | 137-3773 | 1 | Pulley |
| 3 | 137-3774 | 1 | Fan (8.3 Inch) |

| <i>Ref.</i> | <i>Part Number</i> | <i>Qty.</i> | <i>Description</i> |
|-------------|--------------------|-------------|----------------------|
| 4 | 3257-42 | 1 | Key-Woodruff |
| 5 | 140-1148 | 1 | Gasket-Cover, Bottom |

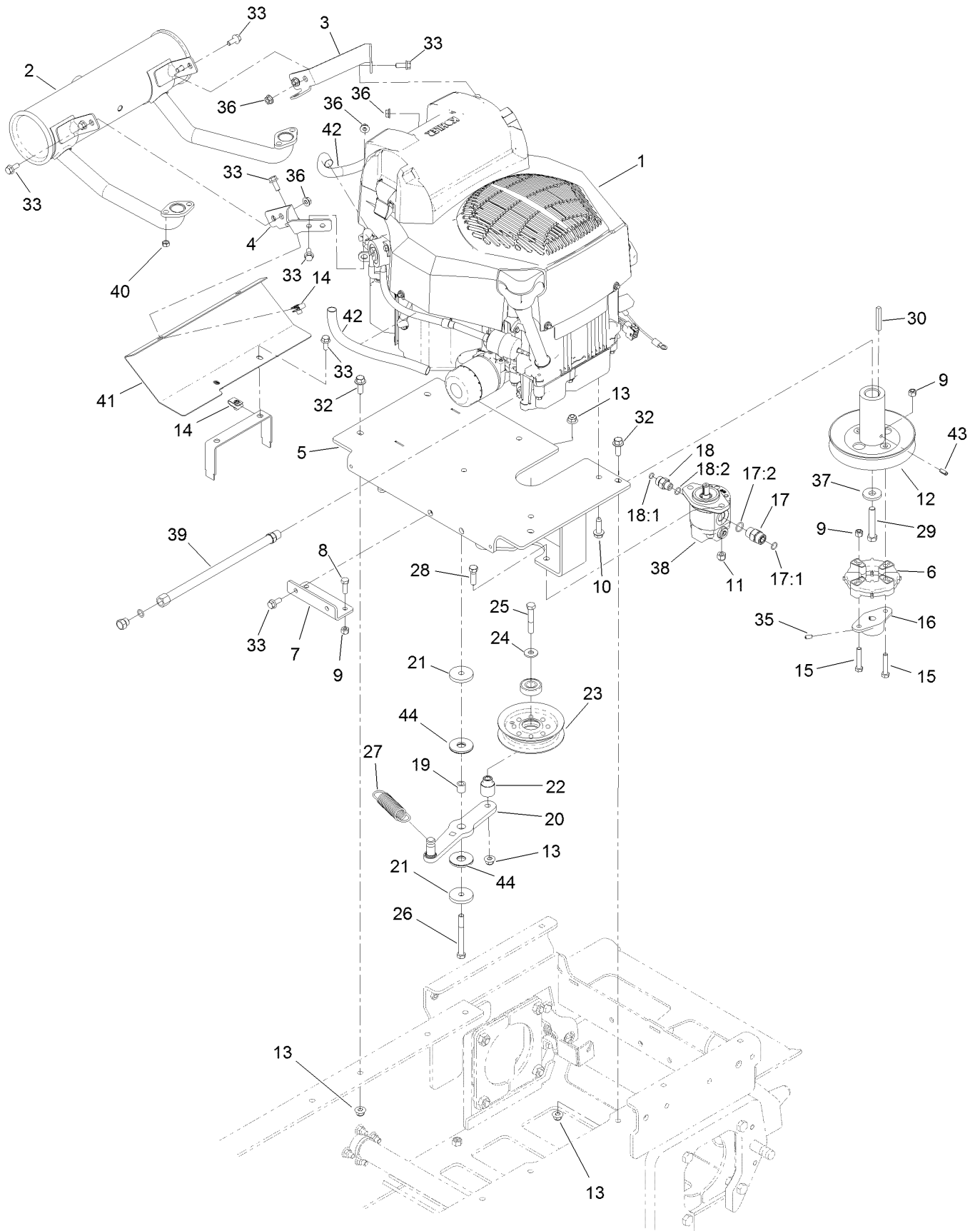
Hydraulic Manifold Assembly No. 132-8989



Hydraulic Manifold Assembly No. 132-8989 (continued)

| <i>Ref.</i> | <i>Part Number</i> | <i>Qty.</i> | <i>Description</i> | <i>Ref.</i> | <i>Part Number</i> | <i>Qty.</i> | <i>Description</i> |
|-------------|--------------------|-------------|--------------------|-------------|--------------------|-------------|------------------------|
| 3 | 105-9321 | 1 | Check Valve ASM | 8 | 127-3885 | 1 | Nipple-Filter |
| 3:1 | 105-9156 | 1 | Seal Kit | 9 | 1-633750 | 1 | Filter-Oil, HYD |
| 4 | 107-7517 | 1 | Valve-Solenoid | 10 | 120-1665 | 1 | Valve-Solenoid |
| 4:1 | 105-9156 | 1 | Seal Kit | 10:1 | 112-6520 | 1 | Seal Kit |
| 4:2 | 107-7812 | 1 | Nut-Solenoid | 10:2 | 110-2634 | 1 | Nut-Coil |
| 5 | 119-8036 | 2 | Coil | 12 | 114-5082 | 1 | Valve-Balance, Counter |
| 7 | 112-9213 | 3 | Plug | 12:1 | 114-5083 | 1 | Seal Kit |

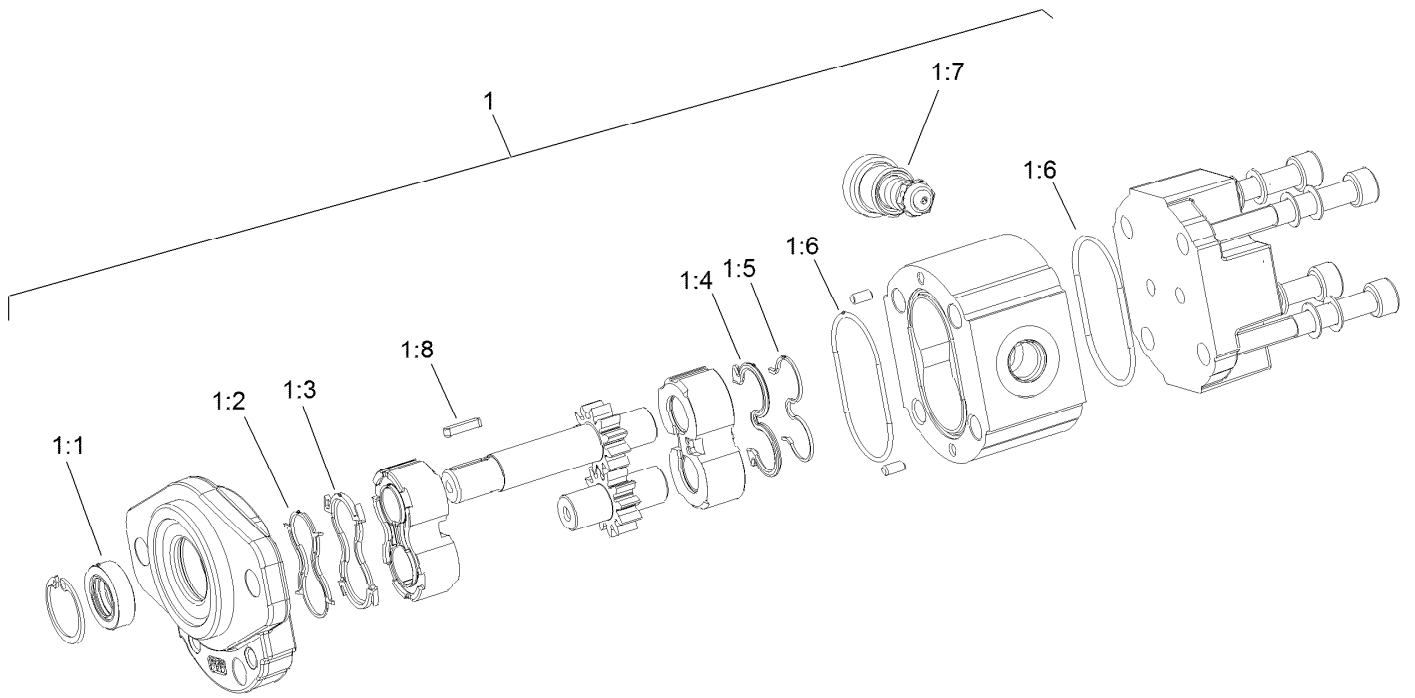
Engine Assembly



Engine Assembly (continued)

| <i>Ref.</i> | <i>Part Number</i> | <i>Qty.</i> | <i>Description</i> | <i>Ref.</i> | <i>Part Number</i> | <i>Qty.</i> | <i>Description</i> |
|-------------|--------------------|-------------|----------------------|-------------|--------------------|-------------|----------------------------|
| 1 | 136-4610 | 1 | Engine-Kohler, Zt740 | 20 | 132-9086-03 | 1 | Arm-Idler |
| 2 | 132-8995 | 1 | Muffler-Kohler | 21 | 110-9981 | 2 | Washer-Plain |
| 3 | 132-8916-03 | 1 | Bracket-Muffler | 22 | 132-9080 | 1 | Bushing-Idler |
| 4 | 132-8917-03 | 1 | Bracket-Muffler | 23 | 116-3626 | 1 | Pulley-Idler |
| 5 | 132-8907-03 | 1 | Plate-Engine | 24 | 80-6990 | 1 | Washer-Hardened |
| 6 | 119-0652 | 1 | Coupler-Rubber | 25 | 323-12 | 1 | Screw-HH |
| 7 | 132-8940-03 | 1 | Bracket-Tank, Hydro | 26 | 323-15 | 1 | Screw-HH |
| 8 | 322-5 | 2 | Screw-HH | 27 | 138-7110 | 1 | Spring-Extension |
| 9 | 3296-29 | 6 | Nut-Lock, NI | 28 | 323-7 | 2 | Screw-HH |
| 10 | 32144-109 | 4 | Screw-Thd | 29 | 3212-10 | 1 | Screw-HH |
| 11 | 3296-39 | 2 | Nut-Lock, NI | 30 | 103-4177 | 1 | Key |
| 12 | 132-8938 | 1 | Pulley-Engine | 32 | 3234-42 | 4 | Screw-HHF |
| 13 | 104-8301 | 6 | Nut-HF, NI | 33 | 3234-47 | 14 | Screw-HHF |
| 14 | 115-7721 | 4 | Nut-Clip, U | 35 | 3245-9 | 2 | Screw-Set, HSH |
| 15 | 322-9 | 4 | Screw-HH | 36 | 32128-26 | 8 | Nut-Flange |
| 16 | 132-9033 | 1 | Hub-Pump | 37 | 110-6147 | 1 | Washer-Flat |
| 17 | 340-4 | 1 | Fitting-Straight | 38 | 132-8954 | 1 | Pump-Gear |
| 17:1 | 237-30 | 1 | O-Ring | 39 | 117-1261 | 1 | Hose-Drain, Oil |
| 17:2 | 237-79 | 1 | O-Ring | 40 | 114-3549 | 4 | Nut |
| 18 | 340-2 | 1 | Fitting-Straight | 41 | 132-9000-03 | 1 | Shield-Manifold |
| 18:1 | 237-22 | 1 | O-Ring | 42 | 136-4617 | 2 | Sleeve-Thermal |
| 18:2 | 237-42 | 1 | O-Ring | 43 | 32121-134 | 1 | Pin-Roll |
| 19 | 75-5270 | 1 | Spacer-Knob, Seat | 44 | 114-0463 | 2 | Washer-Friction, Composite |

Hydraulic Gear Pump Assembly No. 132-8954

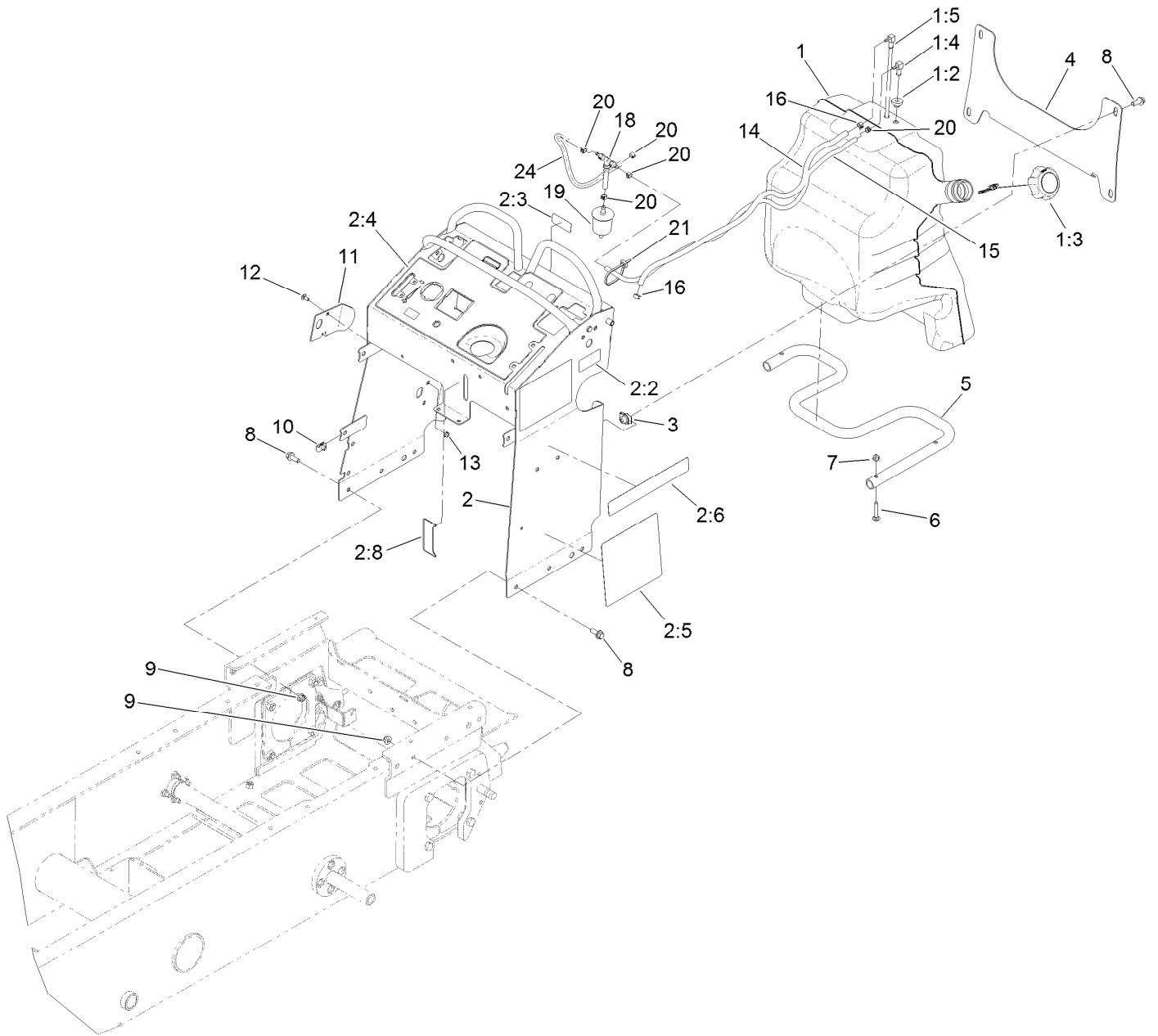


Hydraulic Gear Pump Assembly No. 132-8954 (continued)

| <i>Ref.</i> | <i>Part Number</i> | <i>Qty.</i> | <i>Description</i> | <i>Ref.</i> | <i>Part Number</i> | <i>Qty.</i> | <i>Description</i> |
|-------------|--------------------|-------------|--------------------|-------------|--------------------|-------------|--------------------|
| 1 | 132-8969 | 1 | Seal-Kit | 1:5 | | 1 | Anti Extrusion ● |
| 1:1 | | 1 | Shaft Seal ● | 1:6 | | 2 | O-Ring Seal ● |
| 1:2 | | 1 | Anti Extrusion ● | 1:7 | | 1 | O-Ring Seal ● |
| 1:3 | | 1 | Upper Seal ● | 1:8 | | 1 | Key ● |
| 1:4 | | 1 | Seal ● | | | | |

● Not serviced separately

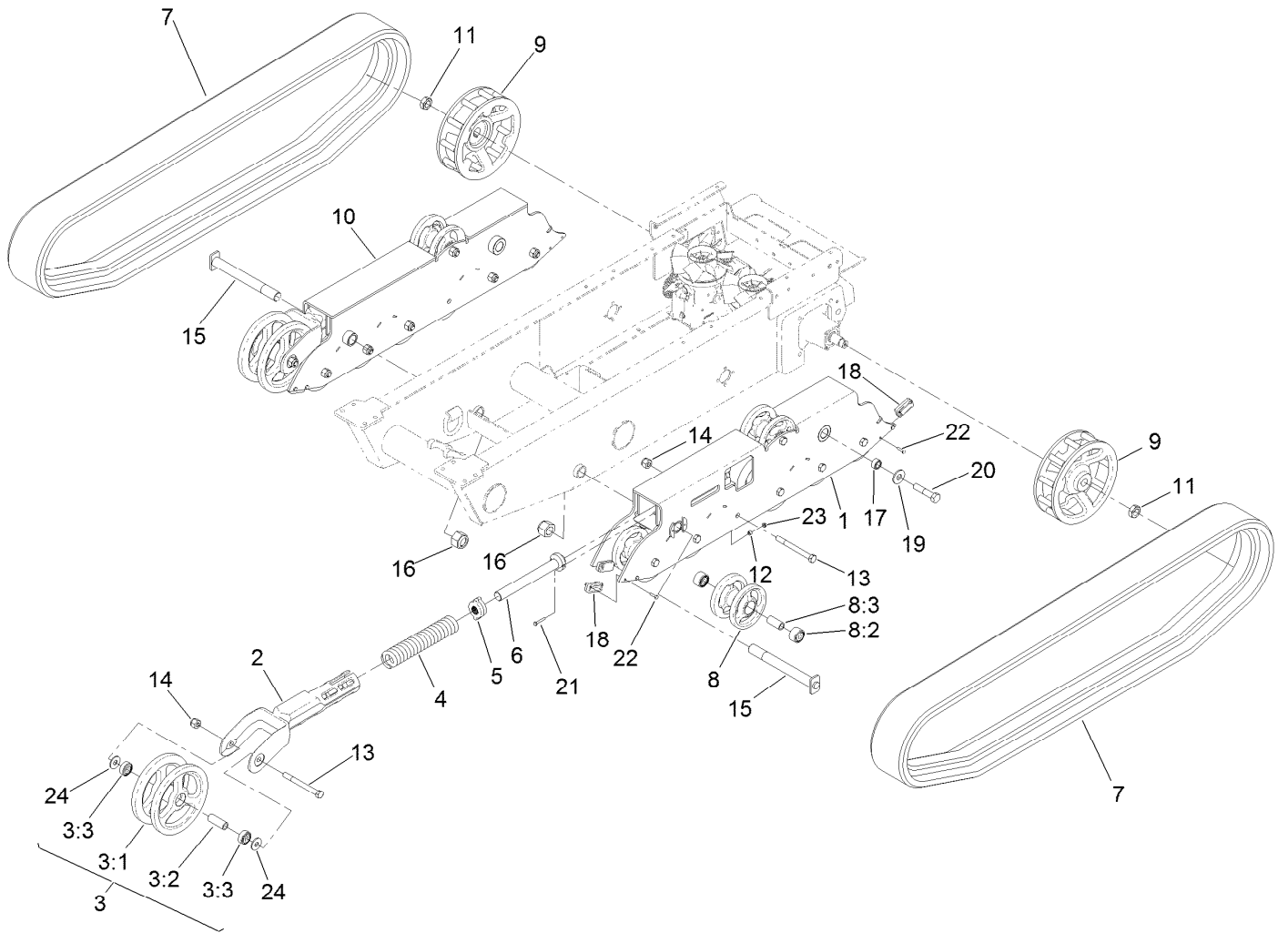
Fuel Tank and Tower Assembly



Fuel Tank and Tower Assembly (continued)

| <i>Ref.</i> | <i>Part Number</i> | <i>Qty.</i> | <i>Description</i> | <i>Ref.</i> | <i>Part Number</i> | <i>Qty.</i> | <i>Description</i> |
|-------------|--------------------|-------------|-----------------------|-------------|--------------------|-------------|--------------------|
| 1 | 132-7560 | 1 | Fuel Tank ASM | 7 | 104-8300 | 3 | Nut-HF, NI |
| 1:2 | 46-6560 | 2 | Bushing | 8 | 3234-42 | 10 | Screw-HHF |
| 1:3 | 137-4127 | 1 | Cap-Fuel | 9 | 104-8301 | 6 | Nut-HF, NI |
| 1:4 | 104-5228 | 1 | Fitting-Elbow, 90 DEG | 10 | 115-7721 | 5 | Nut-Clip, U |
| 1:5 | 132-7559 | 1 | Fuel Tube ASM | 11 | 131-7455 | 1 | Plate-Striker |
| 2 | 136-4648 | 1 | Tower ASM | 12 | 3229-11 | 1 | Screw-CARR |
| 2:2 | 116-8775 | 1 | Decal-Fill, Fuel | 13 | 104-7201 | 1 | Nut-HF |
| 2:3 | 132-9052 | 1 | Decal-Fuse | 14 | 132-8929 | 1 | Hose-Fuel |
| 2:4 | 137-3715 | 1 | Decal-Control Panel | 15 | 110-3958 | 1 | Hose-Fuel |
| 2:5 | 138-7146 | 1 | Decal-Service | 16 | 2412-98 | 2 | Clamp-Hose |
| 2:6 | 132-9057 | 2 | Decal | 18 | 116-5464 | 1 | Tee And Check |
| 2:8 | 137-0575 | 1 | Decal-Level, Oil | 19 | 120-2235 | 1 | Filter-Fuel |
| 3 | 105-4886 | 4 | Nut-Tinnerman | 20 | 2412-146 | 5 | Clamp-Hose |
| 4 | 132-1145-03 | 1 | Bracket-Cross | 21 | 3290-378 | 1 | Tie-Cable |
| 5 | 132-5161-01 | 1 | Tube-Mount, Fuel Tank | 24 | 132-9046 | 1 | Hose-Vent |
| 6 | 3230-5 | 3 | Bolt-CARR | | | | |

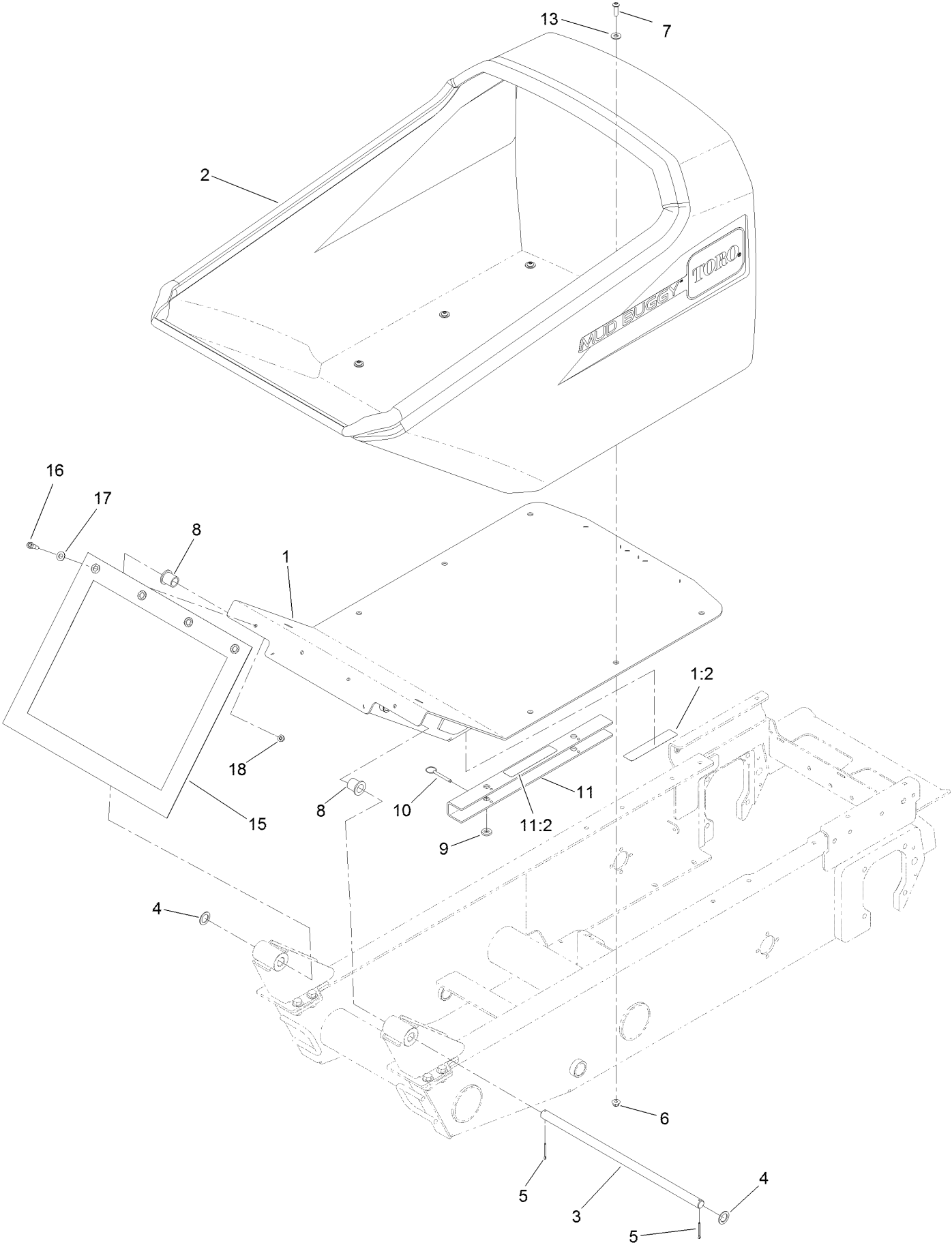
Track Assembly



Track Assembly (continued)

| <i>Ref.</i> | <i>Part Number</i> | <i>Qty.</i> | <i>Description</i> | <i>Ref.</i> | <i>Part Number</i> | <i>Qty.</i> | <i>Description</i> |
|-------------|--------------------|-------------|-------------------------|-------------|--------------------|-------------|--------------------------------|
| 1 | 132-8813-03 | 1 | Mount-Wheel, LH | 11 | 26-3790 | 2 | Nut-Lock |
| 2 | 108-4691-03 | 2 | Arm-Tensioner | 12 | 98-4799 | 2 | Spacer |
| 3 | 104-5745 | 2 | Tensioner Wheel ASM | 13 | 327-17 | 16 | Screw-HH |
| 3:1 | 104-5747-03 | 1 | Wheel-Tensioner | 14 | 3296-24 | 16 | Nut-Hex |
| 3:2 | 98-9835 | 1 | Spacer-Wheel, Tensioner | 15 | 130-1050 | 2 | Pin-Track |
| 3:3 | 120-5378 | 2 | Bearing-Ball | 16 | 125-0399 | 2 | Nut-HH |
| 4 | 95-3624 | 2 | Spring-Compression | 17 | 132-8944 | 2 | Spacer-Track, Outside Mount |
| 5 | 108-4664 | 2 | Block-Tensioner | 18 | 132-6053 | 8 | Block-Track |
| 6 | 127-9563 | 2 | Bolt-Tensioner | 19 | 99-2659 | 2 | Washer |
| 7 | 137-8712 | 2 | Track | 20 | 328-5 | 2 | Screw-HH |
| 8 | 138-5231 | 14 | Wheel ASM | 21 | 321-37 | 2 | Screw-HH |
| 8:2 | 138-0547 | 2 | Bearing-Ball | 22 | 321-6 | 16 | Screw-HH |
| 8:3 | 130-7564 | 1 | Spacer-Wheel | 23 | 32128-32 | 2 | Nut-HHF |
| 9 | 132-8893-03 | 2 | Wheel-Drive | 24 | 3256-7 | 4 | Washer-Flat |
| 10 | 132-8814-03 | 1 | Mount-Wheel, RH | | | | |

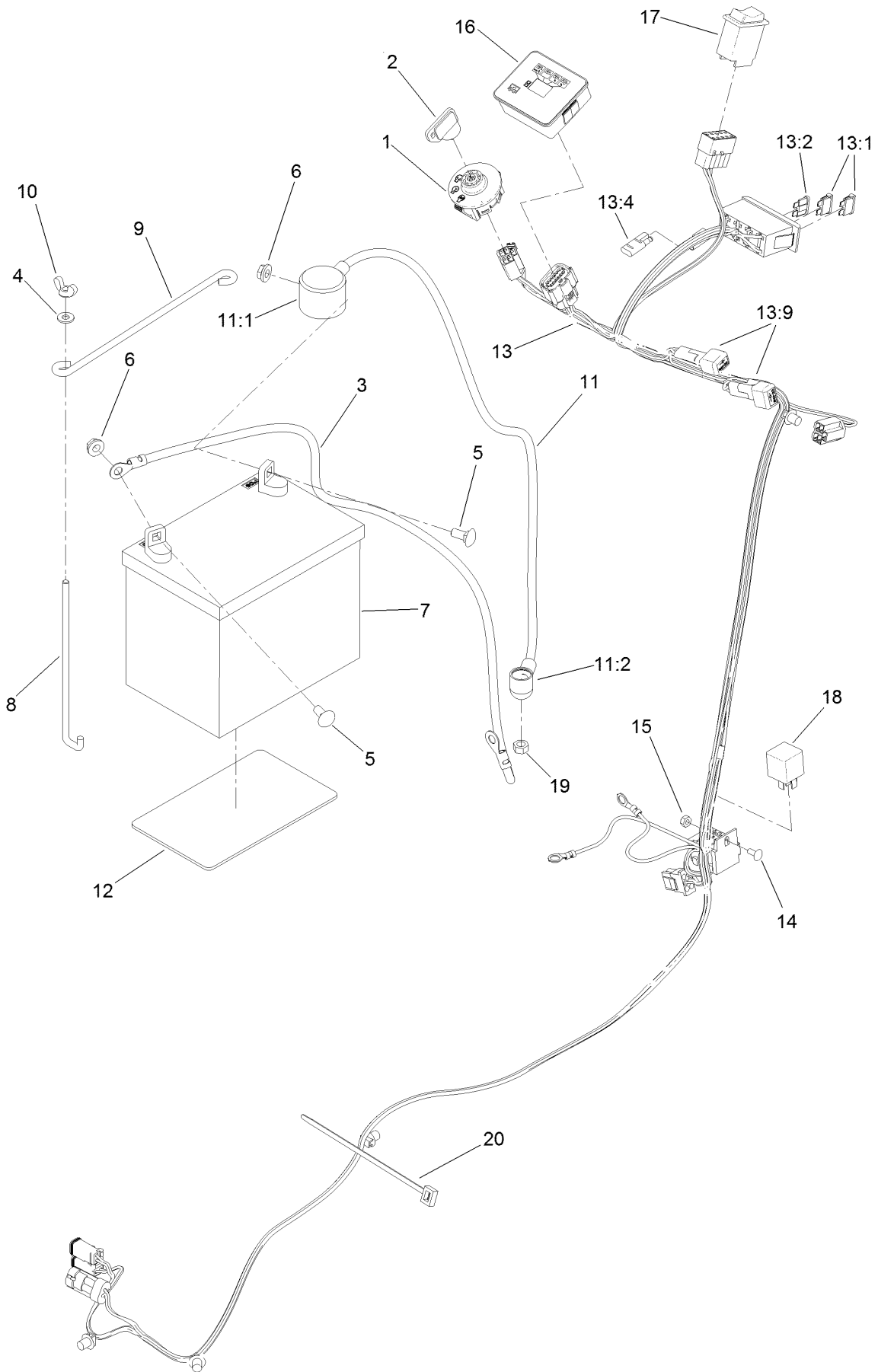
Hopper Assembly



Hopper Assembly (continued)

| <i>Ref.</i> | <i>Part Number</i> | <i>Qty.</i> | <i>Description</i> | <i>Ref.</i> | <i>Part Number</i> | <i>Qty.</i> | <i>Description</i> |
|-------------|--------------------|-------------|--------------------|-------------|--------------------|-------------|--------------------|
| 1 | 136-4649 | 1 | Hopper Base ASM | 9 | 83-1470 | 2 | Washer-Neoprene |
| 1:2 | 115-4858 | 1 | Decal-Danger | 10 | 108-0094 | 2 | Pin-Cotterless |
| 2 | 125-4806 | 1 | Hopper-Mortar | 11 | 130-5315 | 1 | Arm-Locking |
| 3 | 132-8854 | 1 | Shaft-Pivot,Tub | 11:2 | 115-4858 | 1 | Decal-Danger |
| 4 | 99-4958 | 2 | Spacer | 13 | 3256-4 | 6 | Washer-Flat |
| 5 | 3272-13 | 2 | Pin-Cotter | 15 | 132-9044 | 1 | Shield-Splatter |
| 6 | 104-8301 | 6 | Nut-HF, NI | 16 | 28-0540 | 4 | Bolt-Shoulder |
| 7 | 3274-63 | 6 | Screw-HSBH | 17 | 3256-25 | 4 | Washer-Flat |
| 8 | 1-303514 | 2 | Bearing-Flanged | 18 | 104-8300 | 4 | Nut-HF, NI |

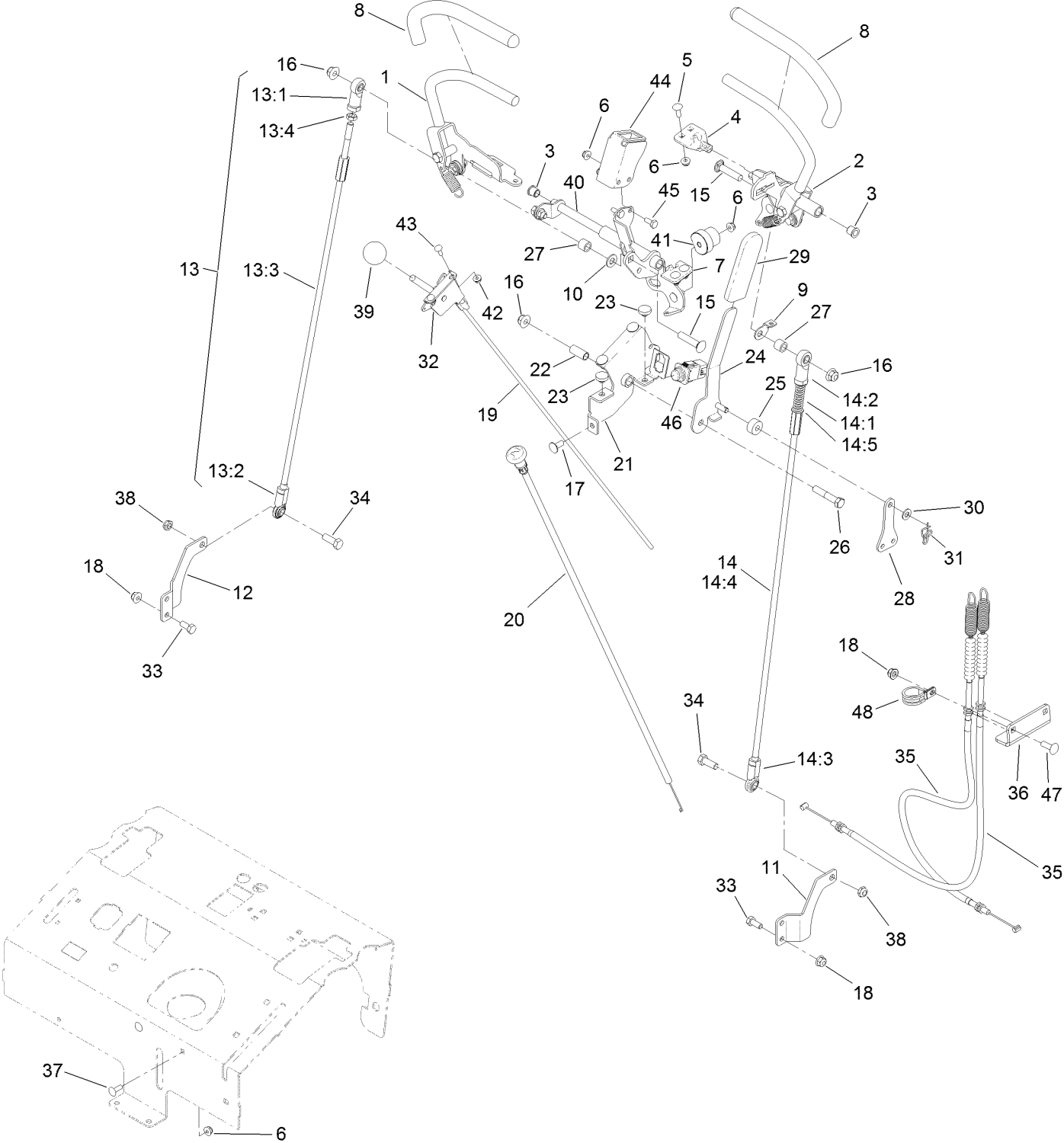
Electrical Harness Assembly



Electrical Harness Assembly (continued)

| <i>Ref.</i> | <i>Part Number</i> | <i>Qty.</i> | <i>Description</i> | <i>Ref.</i> | <i>Part Number</i> | <i>Qty.</i> | <i>Description</i> |
|-------------|--------------------|-------------|----------------------------|-------------|--------------------|-------------|-----------------------|
| 1 | 137-4101 | 1 | Switch-Ignition | 12 | 62-4300 | 1 | Pad-Skid, Anti |
| 2 | 63-8360 | 1 | Key-Ignition | 13 | 138-3138 | 1 | Harness-Wire |
| 3 | 117-7240 | 1 | Cable-Battery, Negative | 13:1 | 109355 | 2 | Fuse-Blade, 15 Amp |
| 4 | 3256-22 | 2 | Washer-Flat | 13:2 | 114241 | 1 | Fuse-Blade, 7.5 Amp |
| 5 | 3230-1 | 2 | Bolt-CARR | 13:4 | 116-0053 | 1 | Cap-Plug |
| 6 | 32128-20 | 2 | Nut-HF | 13:9 | 100-4918 | 2 | Diode |
| 7 | 99-7421 | 1 | Battery | 14 | 1-807513 | 1 | Bolt-CARR |
| 8 | 100-6435 | 2 | Post-Battery | 15 | 3296-2 | 1 | Nut-Lock, NI |
| 9 | 100-6434 | 1 | Rod-Hold Down, Battery | 16 | 132-8959 | 1 | Module, Hour Meter |
| 10 | 32103-22 | 2 | Nut-Wing | 17 | AU113664 | 1 | Switch-Rocker, 2 Pole |
| 11 | 109-7630 | 1 | Positive Battery Cable ASM | 18 | 1-643275 | 1 | Relay |
| 11:1 | 109-2407 | 1 | Insulator-Battery | 19 | 33014-00 | 1 | Nut-Hex |
| 11:2 | 1-543393 | 1 | Insulator-Solenoid | 20 | 3290-378 | 1 | Tie-Cable |

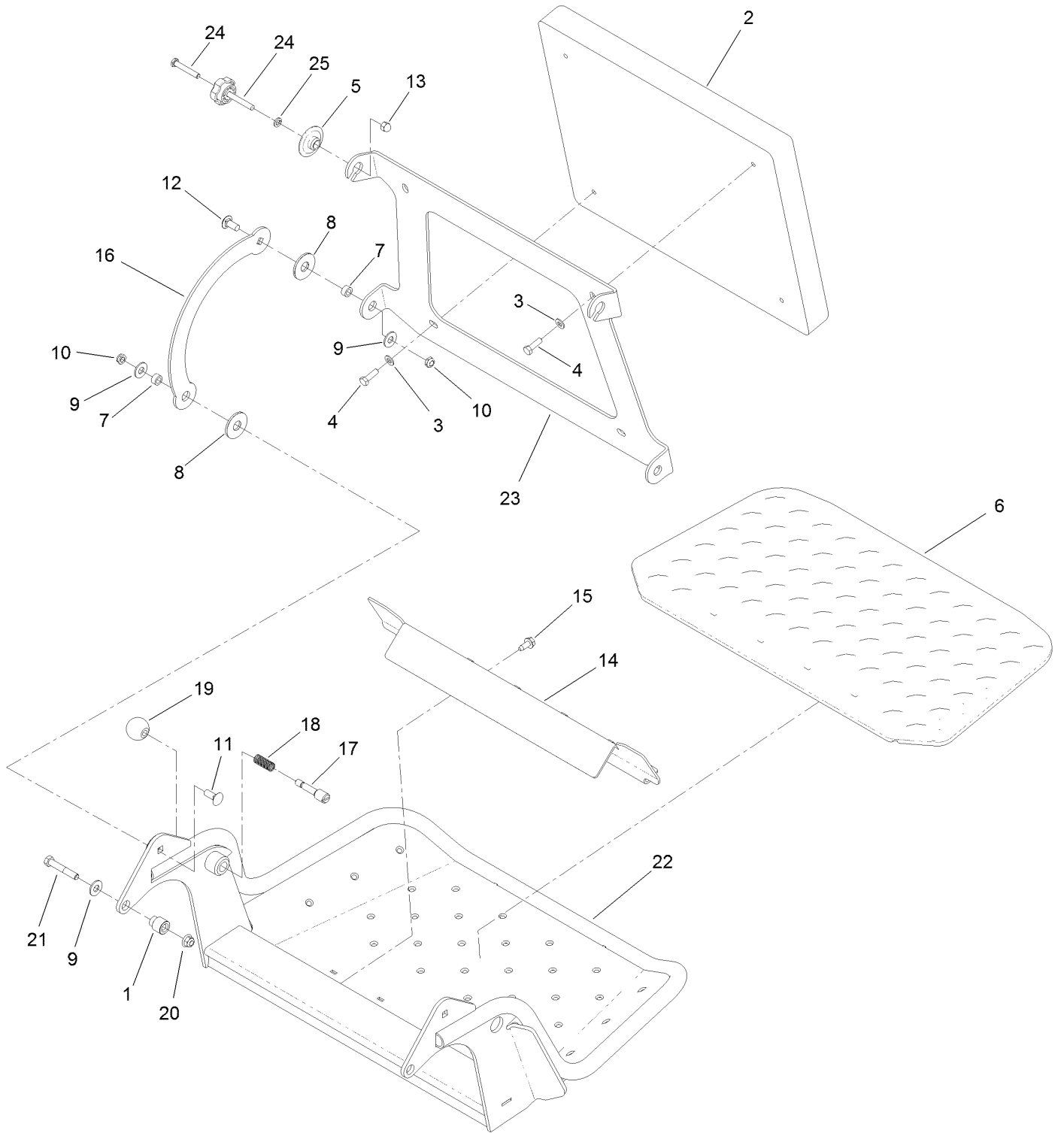
Control Assembly



Control Assembly (continued)

| <i>Ref.</i> | <i>Part Number</i> | <i>Qty.</i> | <i>Description</i> | <i>Ref.</i> | <i>Part Number</i> | <i>Qty.</i> | <i>Description</i> |
|-------------|--------------------|-------------|---------------------------|-------------|--------------------|-------------|------------------------|
| 1 | 132-9048 | 1 | RH Control Handle ASM | 21 | 132-8919-03 | 1 | Bracket-Brake, Pivot |
| 2 | 132-9047 | 1 | LH Control Handle ASM | 22 | 131-3562 | 1 | Bearing-Sleeve |
| 3 | 103-9928 | 2 | Bearing | 23 | 1-513658 | 2 | Bumper |
| 4 | 120-3288 | 1 | Tab-Pivot, LH | 24 | 132-8920-03 | 1 | Handle-Arm, Brake |
| 5 | 3229-1 | 4 | Bolt-CARR | 25 | 132-9064 | 1 | Bushing-Brake |
| 6 | 104-7201 | 10 | Nut-HF | 26 | 323-10 | 1 | Screw-HH |
| 7 | 120-3287 | 1 | Tab-Pivot, RH | 27 | 93-9847 | 2 | Spacer |
| 8 | 119-0222 | 2 | Grip | 28 | 132-1188 | 1 | Yoke-Cable |
| 9 | 132-7538 | 1 | Bracket-Adjustment, Speed | 29 | 1-633268 | 1 | Grip-Lever |
| 10 | 3256-24 | 1 | Washer-Flat | 30 | 93-6079 | 1 | Spacer-Nylon |
| 11 | 131-5748-03 | 1 | Bracket-Hydro, LH | 31 | 112-1491 | 1 | Pin-Cotter |
| 12 | 131-5747-03 | 1 | Bracket-Hydro, RH | 32 | 110-5547 | 1 | Lever-Control |
| 13 | 138-8642 | 1 | RH Control Rod ASM | 33 | 322-3 | 5 | Screw-HH |
| 13:1 | 92-7008 | 1 | End-Rod, Female | 34 | 323-6 | 2 | Screw-HH |
| 13:2 | 103-1167 | 1 | Joint-Ball End, LH | 35 | 132-8921 | 2 | Cable-Brake |
| 13:3 | 138-8641 | 1 | Rod-Control | 36 | 132-8923-03 | 1 | Bracket-Cable, Brake |
| 13:4 | 3220-3 | 1 | Nut-HJ | 37 | 3229-25 | 2 | Screw-CARR |
| 14 | 138-8643 | 1 | LH Control Rod ASM | 38 | 3296-59 | 2 | Nut-Lock, NI |
| 14:1 | 1-603807 | 1 | Spring-Return, Neutral | 39 | 1-603175 | 1 | Knob-Ball |
| 14:2 | 92-7008 | 1 | End-Rod, Female | 40 | 132-9029-03 | 1 | Pivot/Plate Switch ASM |
| 14:3 | 103-1167 | 1 | Joint-Ball End, LH | 41 | 126-1499 | 2 | Cam |
| 14:4 | 138-8641 | 1 | Rod-Control | 42 | 32128-17 | 2 | Nut-Lock, Flange |
| 14:5 | 3256-45 | 2 | Washer-Flat | 43 | 1-807533 | 2 | Bolt-CARR |
| 15 | 3231-29 | 2 | Screw-CARR | 44 | 132-9027-03 | 1 | Bracket-Switch |
| 16 | 104-8301 | 3 | Nut-HF, NI | 45 | 321-3 | 2 | Screw-HH |
| 17 | 3230-23 | 3 | Screw-CARR | 46 | 100-1268 | 1 | Switch-Plunger |
| 18 | 104-8300 | 10 | Nut-HF, NI | 47 | 3230-22 | 2 | Screw-CARR |
| 19 | 115-1211 | 1 | Cable-Control | 48 | 2412-104 | 1 | Clamp-R |
| 20 | 132-9035 | 1 | Cable-Choke | | | | |

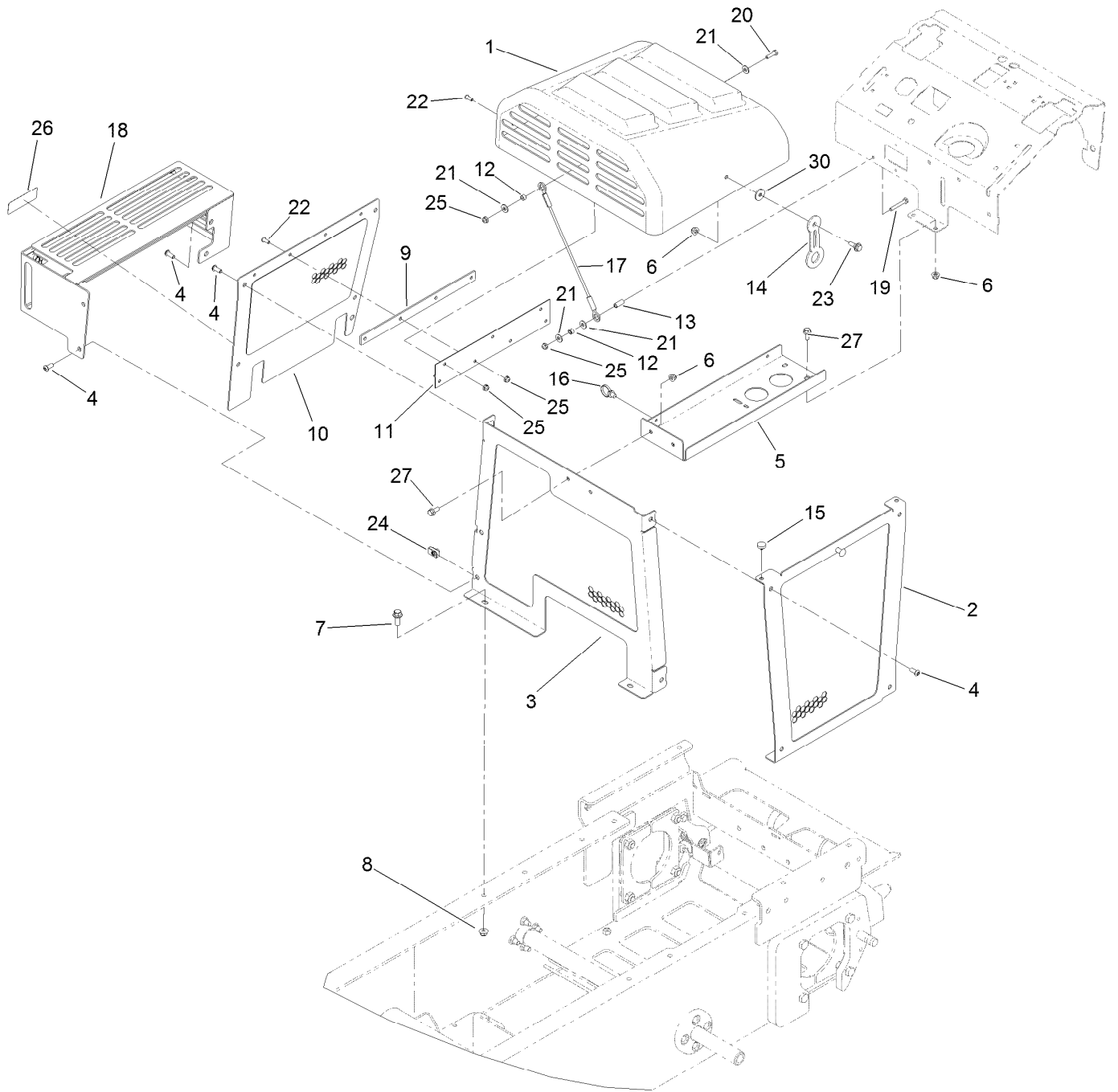
Platform Assembly



Platform Assembly (continued)

| <i>Ref.</i> | <i>Part Number</i> | <i>Qty.</i> | <i>Description</i> | <i>Ref.</i> | <i>Part Number</i> | <i>Qty.</i> | <i>Description</i> |
|-------------|--------------------|-------------|----------------------------|-------------|--------------------|-------------|--------------------|
| 1 | 132-7583 | 2 | Bushing-Flanged | 14 | 136-5669-03 | 1 | Clamp-Shield |
| 2 | 117-9739 | 1 | Pad-Cushion | 15 | 32144-70 | 2 | Screw-HWHTF |
| 3 | 3256-23 | 4 | Washer-Plain | 16 | 114-1915-03 | 2 | Link-Pad |
| 4 | 121-7999 | 4 | Screw-HH | 17 | 119-8650 | 1 | Pin-Latch |
| 5 | 116-2886 | 2 | Slide-Bushing | 18 | 114-5348 | 1 | Spring |
| 6 | 126-7157 | 1 | Mat-Platform | 19 | 1-603175 | 1 | Knob-Ball |
| 7 | 111044 | 4 | Spacer | 20 | 104-8301 | 2 | Nut-HF, NI |
| 8 | 114-0463 | 4 | Washer-Friction, Composite | 21 | 323-11 | 2 | Screw-HH |
| 9 | 3256-4 | 6 | Washer-Flat | 22 | 120-8475-03 | 1 | Platform ASM |
| 10 | 3296-59 | 4 | Nut-Lock, NI | 23 | 120-8499-03 | 1 | Hinge-Pad |
| 11 | 3231-2 | 2 | Bolt-CARR | 24 | 133-1426 | 2 | Knob |
| 12 | 3231-27 | 2 | Screw-CARR | 25 | 3253-4 | 2 | Washer-Lock |
| 13 | 131-4535 | 2 | Nut-Acorn | | | | |

Hood Assembly



Hood Assembly (continued)

| <i>Ref.</i> | <i>Part Number</i> | <i>Qty.</i> | <i>Description</i> | <i>Ref.</i> | <i>Part Number</i> | <i>Qty.</i> | <i>Description</i> |
|-------------|--------------------|-------------|-----------------------|-------------|--------------------|-------------|-----------------------|
| 1 | 132-8990 | 1 | Hood | 15 | 1-513658 | 2 | Bumper |
| 2 | 132-8886-01 | 1 | Panel-Side, LH | 16 | 32180-118 | 2 | Clip-Tie |
| 3 | 132-8887-01 | 1 | Panel-Front | 17 | 130-5726 | 1 | Lanyard |
| 4 | 3274-55 | 14 | Screw-HSBH | 18 | 136-4592-01 | 1 | Guard-Muffler |
| 5 | 132-8876-03 | 1 | Platform-Battery | 19 | 321-10 | 1 | Screw-HH |
| 6 | 104-8300 | 5 | Nut-HF, NI | 20 | 120-4654 | 1 | Screw-HHF |
| 7 | 3234-42 | 2 | Screw-HHF | 21 | 3256-2 | 4 | Washer-Flat |
| 8 | 104-8301 | 2 | Nut-HF, NI | 22 | 32105-15 | 7 | Screw-HWH |
| 9 | 132-9050-03 | 1 | Plate-Spacer, Hood | 23 | 116-2670 | 1 | Screw-Shoulder |
| 10 | 132-3905-01 | 1 | Panel-Side, Upper | 24 | 115-7721 | 6 | Nut-Clip, U |
| 11 | 132-9021 | 1 | Hinge-Hood | 25 | 104-7201 | 9 | Nut-HF |
| 12 | 55-9370 | 2 | Spacer-Blade, Rotor | 26 | 133-8062 | 1 | Decal-Arrestor, Spark |
| 13 | 87-4710 | 1 | Spacer-Brake, Parking | 27 | 3234-47 | 2 | Screw-HHF |
| 14 | ST47182 | 1 | Latch-Rubber | 30 | 115-7109 | 1 | Washer-Flat |

Attachments and Accessories

For 68138 MB TX 2500 Tracked Mud Buggy

| Product Name | Model/Part |
|----------------------|------------|
| Light Kit..... | 137-0558 |
| Spark Arrestor | 98-9099 |

Notes:

Notes:

Notes:



Count on it.