



**Count on it.**

**Parts Catalog**

**E-Z Vac™ Complete Twin Bagger  
TITAN® Zero-Turn-Radius Riding Mower**

Model No. 79346—Serial No. 40000000 and Up



# Ordering Replacement Parts

To order replacement parts, please supply the part number, the quantity, and the description of each part desired.

## Understanding Reference Numbers

Each identified part in an illustration has a reference number. The reference number for a part also appears in the parts list, along with other information about the part.

This catalog uses two special reference number formats, one to indicate parts in a service assembly and another to indicate the quantity of a given part in an illustration.

## Service Assembly Reference Numbers

Parts in service assemblies have reference numbers in the form a:b. The a represents the reference number of the entire service assembly and the b represents a sequential number unique to each part within the service assembly.

For example, a wheel assembly might be identified by reference number 6, the tire by 6:1, the valve by 6:2, and the wheel by 6:3. When you order the assembly identified by reference number 6, you receive all parts identified by reference numbers 6:1, 6:2, and 6:3. However, you may also order any part individually. Reference numbers of this type appear in illustration and in parts lists.

## Reference Numbers Indicating Quantity

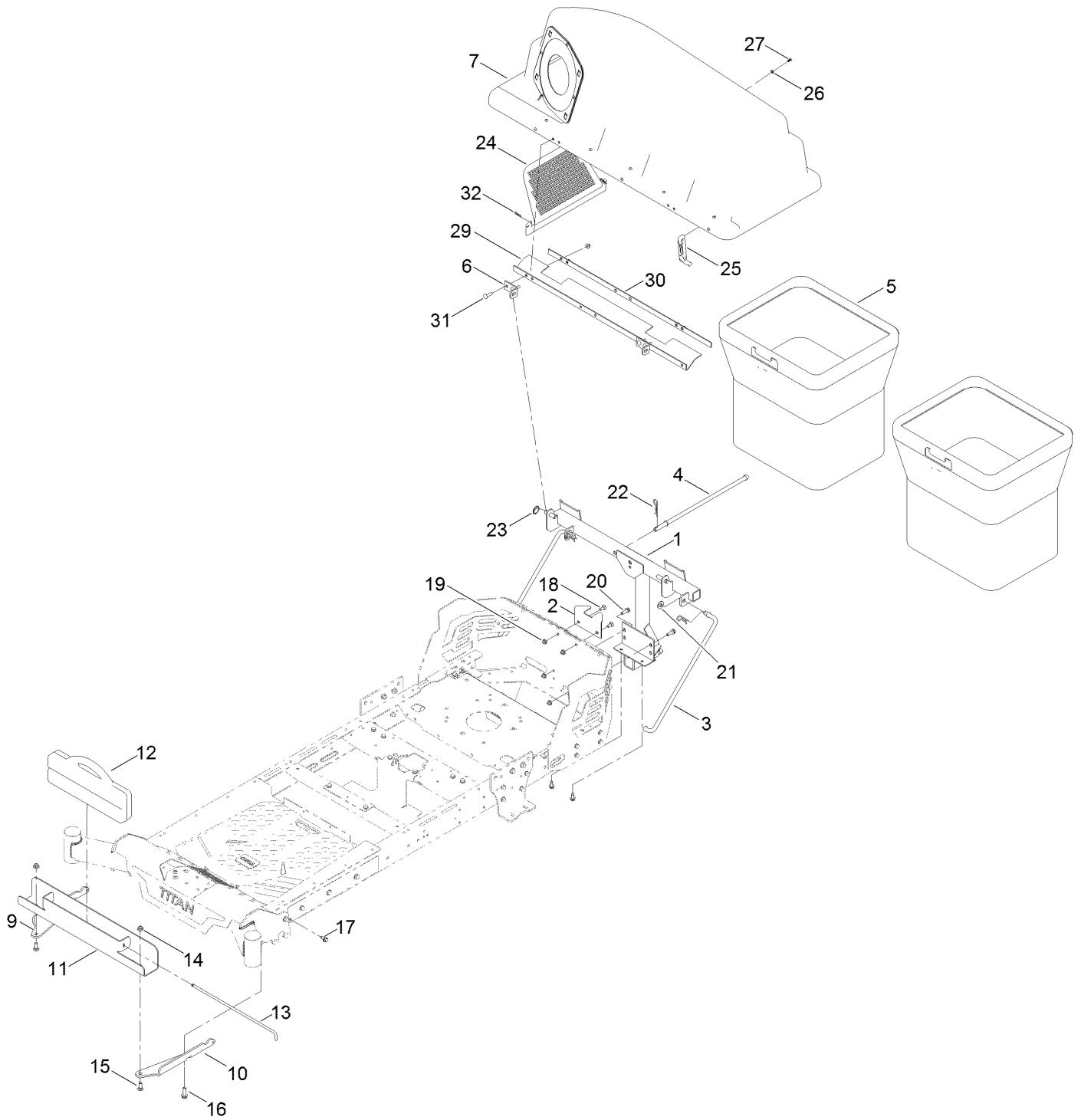
In an illustration, if a reference number indicates more than one part, the reference number has the form nX y. The n represents the quantity of the part, the X is the multiplication symbol, and the y represents the reference number.

For example, in an illustration, the reference number 2X 37 means that two of the parts identified by reference number 37 are indicated.

# Contents

Bagger and Weight Assembly ..... 4  
Bag Assembly ..... 6  
Bagger Hood Assembly No. 140-5031 ..... 8  
Blower and Tube Assembly ..... 10  
Blower Housing Assembly No. 140-5032 ..... 12

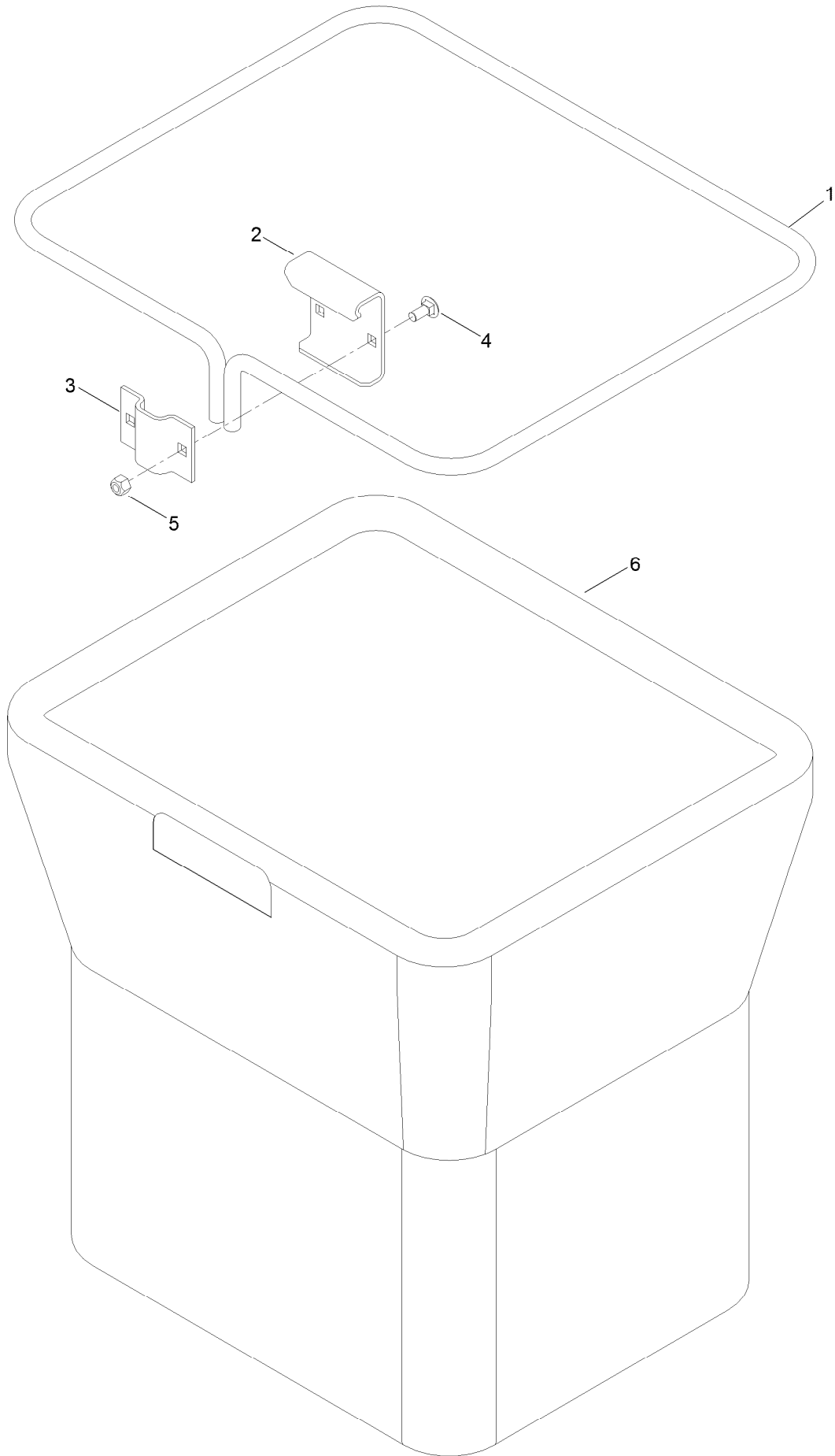
# Bagger and Weight Assembly



## Bagger and Weight Assembly (continued)

<i>Ref.</i>	<i>Part Number</i>	<i>Qty.</i>	<i>Description</i>	<i>Ref.</i>	<i>Part Number</i>	<i>Qty.</i>	<i>Description</i>
1	136-4231-03	1	Frame-Pivot	17	32144-70	4	Screw-HWHTF
2	140-2086-03	1	Support-Upper	18	139-2630	2	Bolt-CARR
3	140-0444	2	Rod-Support	19	119-4041	8	Nut-HF
4	131-4189	1	Rod-Hood, Down	20	139-2596	2	Screw-HHF
5	112-3994	2	Bag ASM	21	139-2611	2	Washer-Flat
6	140-5016	2	Bracket-Hopper Pivot	22	139-2562	3	Pin-Hair
7	140-5031	1	Bagger Hood ASM	23	120-7127	1	Pin-Cotter, Circular
9	136-7461-03	1	Bracket-Weight, RH	24	112-3993	1	Screen-Bagger
10	136-7462-03	1	Bracket-Weight, LH	25	116-4992	1	Latch-Rubber
11	120-5491-03	1	Channel-Weight, Bagger	26	137-3073	2	Washer-Plain
12	109-9742-05	1	Weight-35 Pound	27	137-9137	2	Screw-PPH
13	140-5017	1	Rod, Weight Lock	29	116-4126	1	Seal
14	119-4042	4	Nut-HF, NI	30	116-4127-03	1	Plate-Backing
15	137-3064	2	Bolt-CARR	31	139-1702	4	Bolt-Carriage
16	119-4061	2	Screw-HHF	32	137-3083	2	Pin-Hair

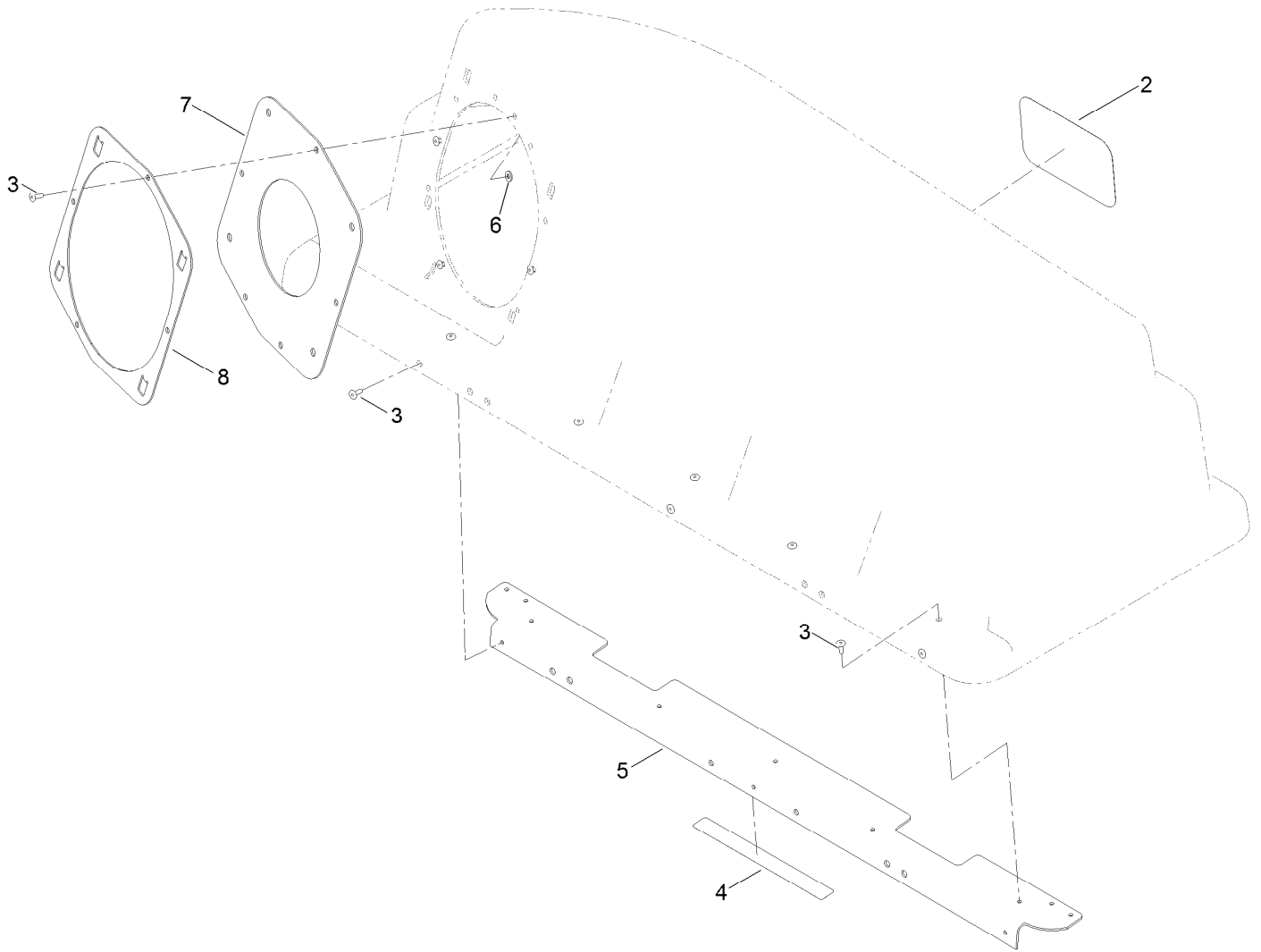
# Bag Assembly



## Bag Assembly (continued)

<i>Ref.</i>	<i>Part Number</i>	<i>Qty.</i>	<i>Description</i>	<i>Ref.</i>	<i>Part Number</i>	<i>Qty.</i>	<i>Description</i>
1	114972-03	1	Frame-Bag	4	3230-1	2	Bolt-CARR
2	114973-03	1	Hanger-Bag	5	3296-29	2	Nut-Lock, NI
3	114974-03	1	Clamp	6	110-6674	1	Bag

# Bagger Hood Assembly No. 140-5031

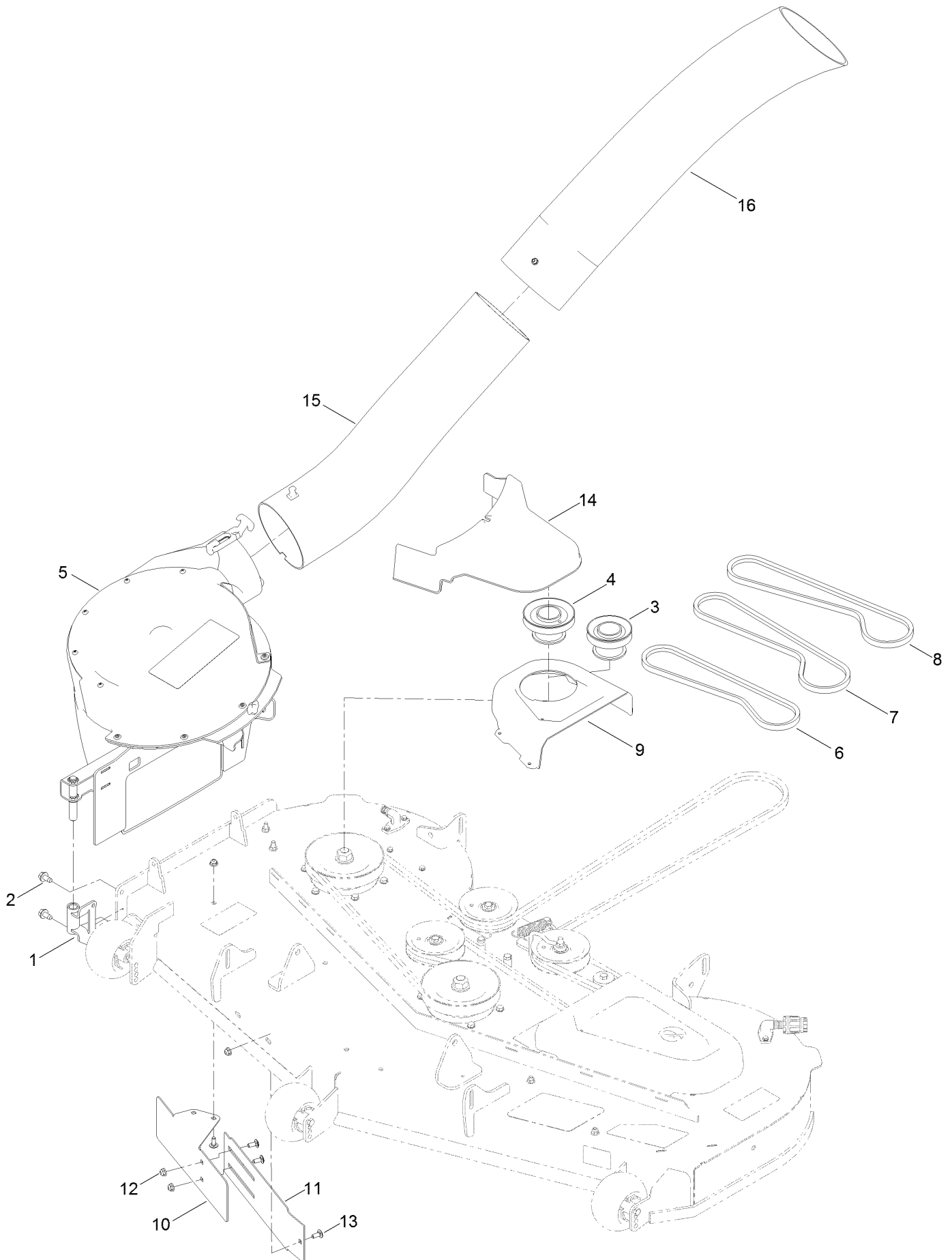




## Bagger Hood Assembly No. 140-5031 (continued)

<i>Ref.</i>	<i>Part Number</i>	<i>Qty.</i>	<i>Description</i>	<i>Ref.</i>	<i>Part Number</i>	<i>Qty.</i>	<i>Description</i>
2	99-4693	1	Decal	6	137-3073	4	Washer-Plain
3	114439	12	Rivet-Blind	7	116-4478	1	Gasket
4	109-6809	1	Decal-Caution, Bagger	8	112-4000-03	1	Ring-Retainer
5	116-5071-03	1	Stiffener-Bagger, Top				

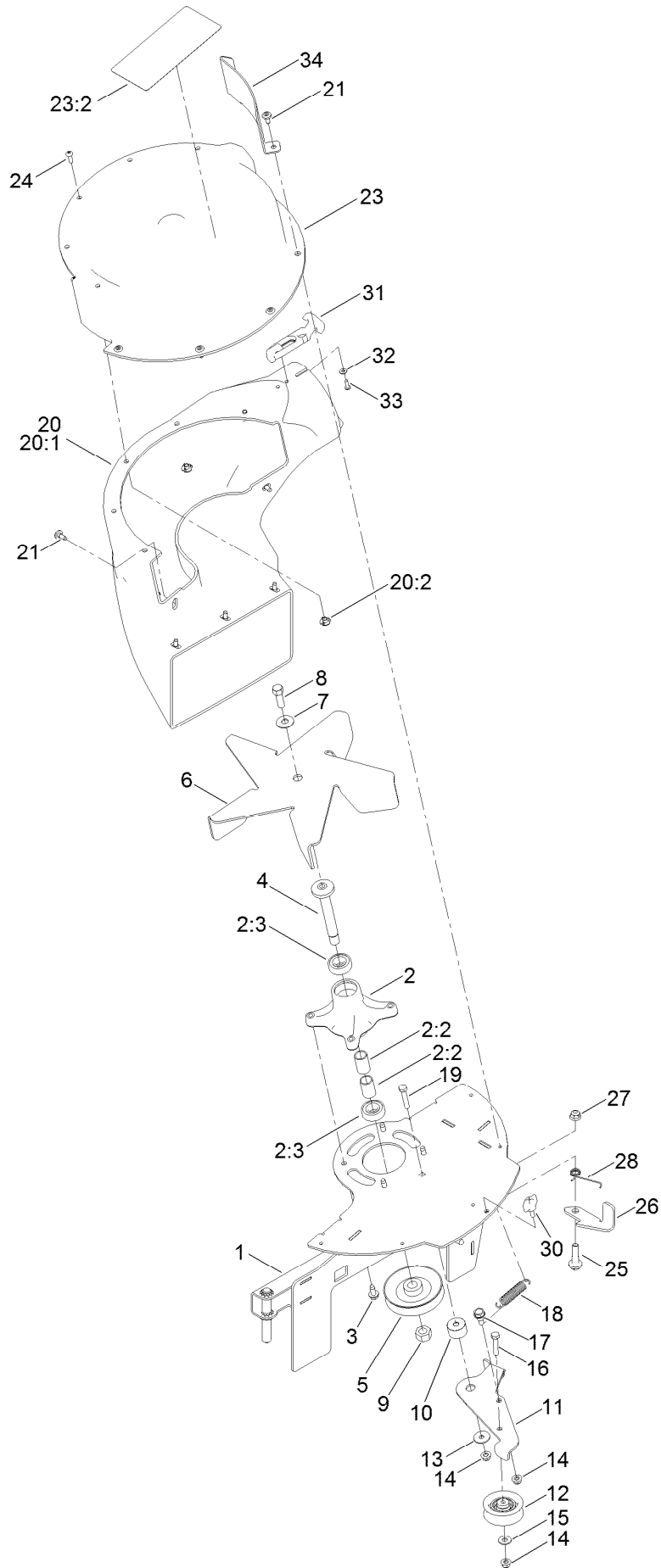
# Blower and Tube Assembly



## Blower and Tube Assembly (continued)

<i>Ref.</i>	<i>Part Number</i>	<i>Qty.</i>	<i>Description</i>	<i>Ref.</i>	<i>Part Number</i>	<i>Qty.</i>	<i>Description</i>
1	136-4152	1	Pivot-Blower	9	136-4151	1	Cover-Belt, RH
2	110-9380	2	Screw-HWH	10	133-7022-03	1	Baffle-Outer
3	125-0085	1	Pulley-Bagger	11	133-7021-03	1	Baffle-Inner
4	125-0086	1	Pulley-Bagger	12	119-4041	4	Nut-HF
5	140-5032	1	Blower Housing Assembly	13	137-3061	4	Bolt-CARR
6	127-0074	1	Belt-V	14	136-4172	1	Cover-Bagger, Powered
7	127-0075	1	Belt-V	15	140-5030	1	Lower Tube ASM
8	127-0076	1	Belt-V	16	140-5029	1	Upper Tube ASM

# Blower Housing Assembly No. 140-5032



## Blower Housing Assembly No. 140-5032 (continued)

<i>Ref.</i>	<i>Part Number</i>	<i>Qty.</i>	<i>Description</i>	<i>Ref.</i>	<i>Part Number</i>	<i>Qty.</i>	<i>Description</i>
1	133-9287-03	1	Frame-Blower	18	104-6415	1	Spring-Return, Pedal
2	121-0751	1	Spindle ASM	19	322-9	1	Screw-HH
2:2	120-7935	2	Spacer	20	137-5004	1	Blower Chute ASM
2:3	136-5441	2	Bearing-Ball	20:1	136-7514	1	Chute-Blower
3	32144-70	4	Screw-HWHTF	20:2	136-9187	5	Insert-T-Nut
4	137-7009	1	Shaft-Spindle	21	120-7950	10	Screw
5	133-4492	1	Pulley-Blower	23	137-5003	1	Blower Cover ASM
6	133-4336	1	Fan-Blower	23:2	136-4164	1	Decal-Danger
7	3290-465	1	Washer-Belleville	24	3258-166	5	Screw-PRH
8	108-8823	1	Screw-HH	25	130-0742	1	Bolt-Shoulder
9	3219-16	1	Nut-Hex	26	133-7058	1	Latch-Blower
10	133-4499	1	Spacer-Arm, Idler	27	104-8301	1	Nut-HF, NI
11	133-4489	1	Blower-Arm, Idler	28	133-7048	1	Spring-Torsion
12	138-7597	1	Pulley-Idler, Flat	30	98-8332	1	Knob
13	5-4460	1	Washer-Pivot	31	103-4080	2	Latch-Rubber
14	104-8300	3	Nut-HF, NI	32	9202704	4	Washer-Flat
15	3256-3	1	Washer-Flat	33	3290-500	4	Screw-PPH
16	322-7	1	Screw-HH	34	136-9213-03	1	Guard-Blower
17	92-6986	1	Bolt-Shoulder				

**Notes:**

**Notes:**



**Count on it.**