

Striping Kit

42in Riding Mowers

Model No. 140-5198

Installation Instructions

Installation

Loose Parts

Use the chart below to verify that all parts have been shipped.

| Procedure | Description | Qty. | Use |
|-----------|---|--------------------------------------|---------------------------|
| 1 | No parts required | – | Prepare the machine. |
| 2 | Mounting bracket Wiper Brace Speed nut Bolt (1/4 x 7/8 inch) Washer Locknut (1/4 inch) Cap | 2 1 1 2 5 1 3 2 | Install the striping kit. |

1

Preparing the Machine

No Parts Required

Procedure

1. Park the machine on a level surface.
2. Disengage the PTO, engage the parking brake, and move the motion-control levers outward to the NEUTRAL-LOCK position.
3. Shut off the engine and remove the key.



2

Installing the Striping Kit

Parts needed for this procedure:

| | |
|---|-----------------------|
| 2 | Mounting bracket |
| 1 | Wiper |
| 1 | Brace |
| 2 | Speed nut |
| 5 | Bolt (1/4 x 7/8 inch) |
| 1 | Washer |
| 3 | Locknut (1/4 inch) |
| 2 | Cap |

Procedure

1. Remove the mower deck; refer to the *Operator's Manual* for the machine.
2. Install a cap and speed nut on each mounting bracket ([Figure 1](#)).

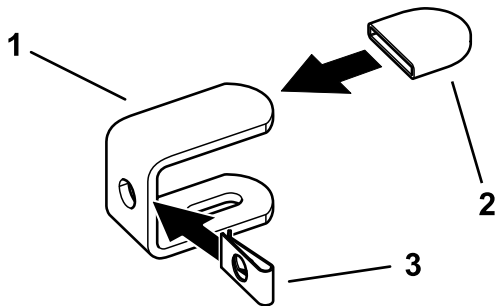


Figure 1

g235177

1. Mounting bracket
2. Cap
3. Speed nut

3. Clean the rear edge of the mower deck.
4. Install the brackets in the holes shown in [Figure 2](#). Hold the rubber cap of the bracket tightly against the back of the mower deck and tighten.

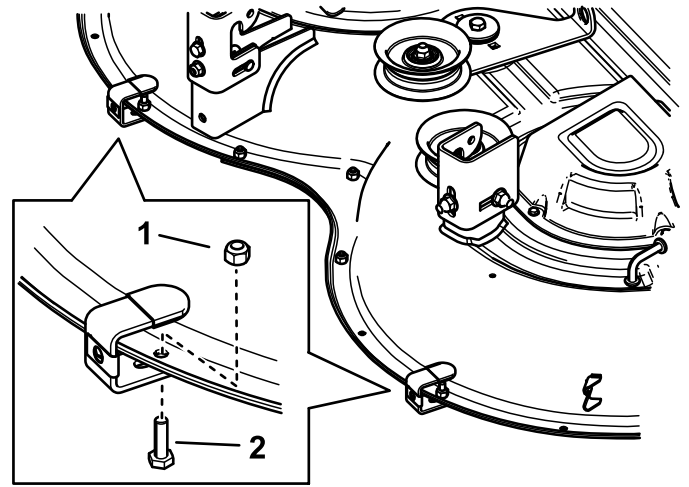


Figure 2

g235175

1. Locknut
2. Bolt

5. Secure the center of the brace to the wiper using a bolt, washer, and nut ([Figure 3](#)).

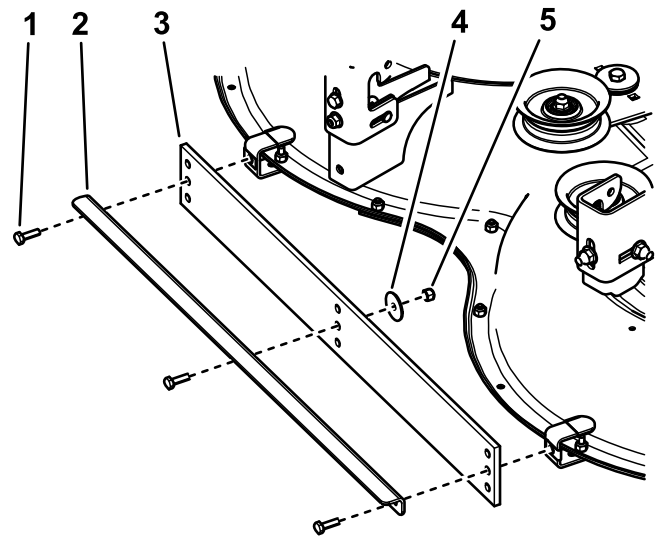


Figure 3

g235176

1. Bolt (3)
2. Brace
3. Wiper
4. Washer
5. Locknut

6. Install the wiper and brace to the brackets using 2 bolts ([Figure 3](#)).

Note: Refer to [Adjusting the Height \(page 3\)](#) to help determine which set of holes to use to install the wiper.

7. Install the mower deck; refer to the *Operator's Manual* for the machine.

Operation

Adjusting the Height

Service Interval: Yearly—Replace the wiper (more often if the wiper is worn).

Important: Excessive downward pressure with the wiper or a low height of cut may damage turf and the striping kit.

Important: When the striping kit is installed but not in use, raise the mower deck to the transport position to avoid damaging the wiper.

Important: Avoid obstacles that can damage the kit. Temporarily raise the mower deck to the transport position when turning or moving in reverse.

Install the wiper 6 to 13 mm (1/4 to 1/2 inch) below the bottom of the deck for best results from normal striping.

There are 3 sets of mounting holes in the wiper that you can use to adjust the wiper height. You can also lower or raise the mower deck to adjust the wiper height; however, this also affects the height of cut.

Operating Tips

Striping Quality Is Influenced by Grass Condition and Type

- Limp grass where wheel tracks are very visible is usually good for striping.
- Stiff grass where wheel tracks are less visible usually produces poor striping.
- Cool-season grass types found in northern areas are usually good for striping.
- Warm-season grass types found in southern areas usually produce less pronounced striping.
- Transition-zone grasses found in the narrow-belt region can produce good striping in some areas, and some portions of the growing season, while producing poor striping in other areas or portions of the season.
- Some grass types produce better striping contrast when mowing short. Other grass types or moisture content of the grass can provide better contrast when mowing at a tall height of cut. Experiment with what works best in your situation.

Visibility of Striping Depends on the Position of the Sun

This is how light reflects on the grass.

- Mowing patterns that generally run east-west have a greater contrast than north-south patterns.
- The striping pattern contrast is less visible around noon and is more visible in mornings and afternoons.

Visibility of Striping Depends on Your Position

Grass bent toward you appears darker; grass bent away from you appears lighter.

- Mowing patterns that generally run along a road has greater contrast when viewed approaching or leaving the property. The contrast of striping is less visible when looking across the mowing direction.
- If the property has a focal point, or a viewing location, mow in a pattern that is generally to and from the observation point.

Visibility of Striping Depends on the Condition of the Lawn

- Avoid operating in wet conditions on slopes, if possible.
- Large, flat areas usually provide better striping contrast than on slopes or areas with a lot of trimming and edging.
- Mowing in morning dew can produce good striping contrast.
- Double-cut mowing and mowing a second pass at a 13 mm (1/2 inch) lower height of cut may produce good striping contrast.

Mowing Mode Can Affect Striping Contrast

- Side-dispersal of clippings can hide striping, reducing the contrast effect.
- Bagging can display heavy wheel tracks, reducing the effect of striping.
- Mulching often displays excellent contrast, enhancing the effect of striping.

The Landscape Can Promote or Hinder Striping

- The mowing area size has an effect on the final appearance. Large areas may look better when mowed with a large mower. Small areas may not look right when cut with a large mower.
- Large areas with occasional trees or other obstructions often look best when the mowing pattern appears to go through the obstruction. For example, it looks best for a pattern to match and continue on the far side of a small pond. A different cross-cut pattern on the far side of a pond may not be visible.
- Some areas look best with long, straight lines of a striped-mowing pattern, aligned with the property edge. Some areas look best with a diamond pattern, where neither straight line is aligned with the property edge. Properties with rolling hillsides or ponds look best with a flowing-curves striping pattern. You can highlight and enhance a distinctive feature like a small pond by mowing in a radial or a ring pattern.

Some Lawns Must Be Trained to Show a Striping Contrast

- On a new property during the first 2 weeks, you may need to follow the exact same pattern and direction in the same wheel tracks. This begins “training” the grass to bend in the desired direction.
- During the third week, use a cross-grain striping pattern.
- During the fourth and fifth weeks, follow with repeating the original pattern. After you establish the primary striping pattern grain, you may alternate the pattern each week to establish a checkerboard or a plaid-style pattern.
- Do not mow in the same pattern every week. This causes compaction in the wheel tracks and may produce ruts or depressions along the wheel tracks.

Turning While Using the Striping Kit

- Raise the roller when turning; striping is generally not enhanced by end turns.
- Raising the roller reduces confusing the pattern at the ends of the pattern.

Driving the Machine Between Cutting Areas

- Raise the roller and deck, and drive along a previous path to transport from one area of the property to another section.
- Do not drive across a striped pattern.

Best Mowing and Striping Practices

- It is usually best to first mow the perimeter to establish a boundary.
- When side-discharging, direct the clippings away from walks, drives, flower beds, buildings, and vehicles. If the discharge throws clippings a long distance, mow additional passes to avoid unwanted cleanup of clippings.
- Avoid driving backward excessively. Driving back and forth or frequent forward and reverse maneuvers around an obstacle compresses the grass and disturbs the professional appearance of a nice job.
- Avoid close trimming with the striping kit installed to reduce damage to landscaping and the roller.
- Follow all safe mowing practices as described in the *Operator's Manual*. Do not let the striping pattern cause you to mow in a hazardous manner.